

[Startseite](#) > [Dokumentation](#) > [Analog 0 30v Add On](#)

# Analog 0 30v Add On

---

## Device image(s)



## Device identification

Device name: Analog 0-30V Add-on (Accessory for The Pill by Shelly)

Device model: N/A

## Short description

Measures analog sensors and DC voltages up to 30V.

Extends the voltage measuring range of The Pill for analog sensors and batteries with voltages up to 30V. Suitable for the most popular analog sensors (0-5V) or battery measurement (4.2V, 12V, 24V).

**Requires:** 5-Terminal Add-on for connection with The Pill

## Main features

**Voltage measurement range 0-30V:** Extends the voltage measuring range of The Pill for measuring analog sensors and batteries.

## Device electrical interfaces

### Inputs

- 1 Analog Input - AN
- 2 Digital Input/Outputs (logic-level 3.3 V) - IO2, IO3

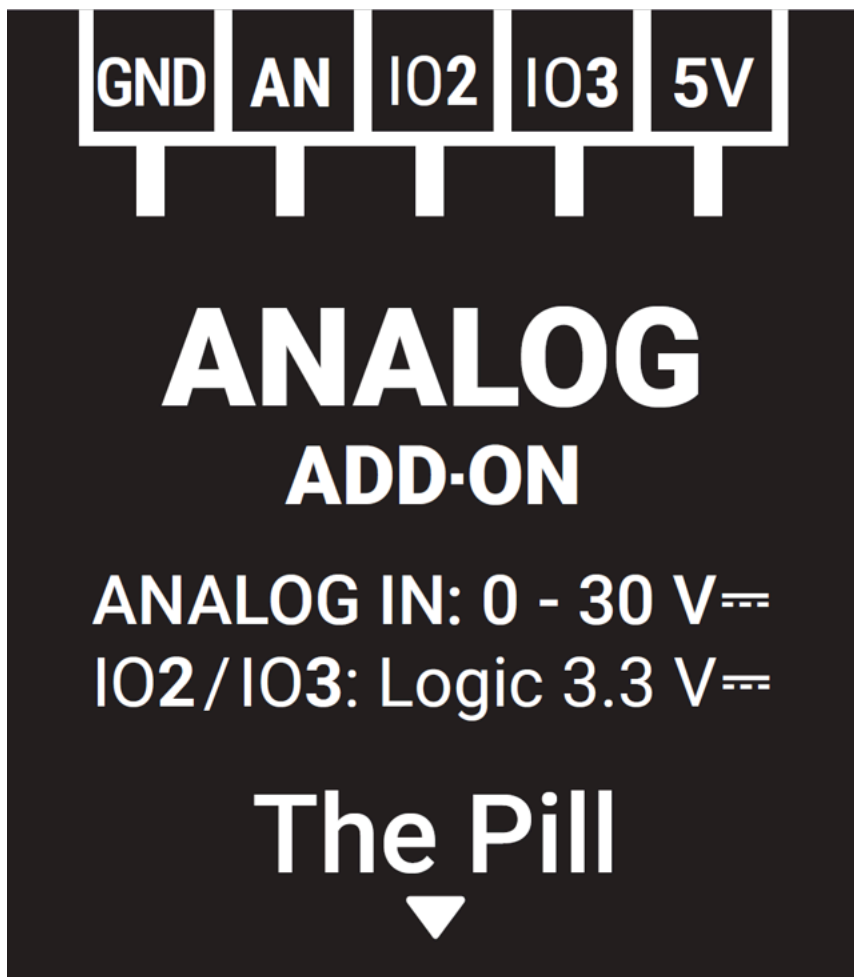
### Power

Optional Power terminals - 5V, GND

### Addon interface

Interface connector for *5-Terminal Add-on* for connection with The Pill


## Detailed inputs and outputs description



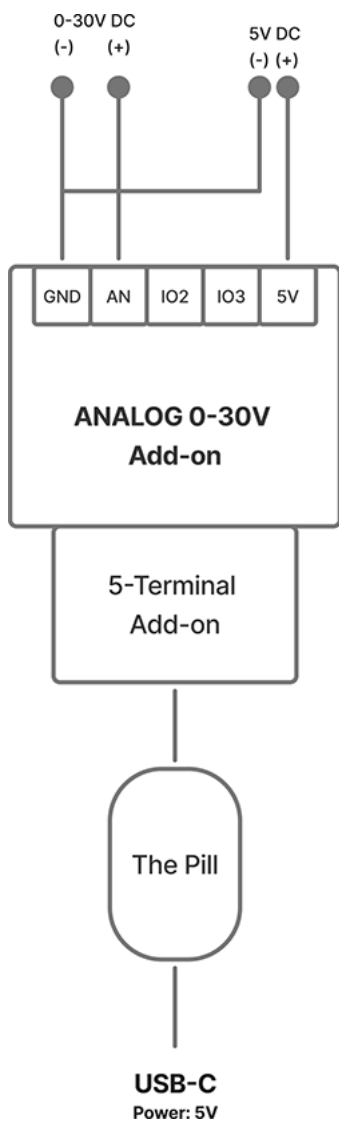
Symbol	Beschreibung	Usage
GND	Ground	Reference ground for connected sensors or power supply
AN	Analog Input: 0 - 30 V	Measurement of the connected analog sensor or battery
IO2	Input/Output (logic-level 3.3V)	Configurable for: Digital Input or Digital Output
IO3	Input/Output (logic-level 3.3V)	Configurable for: Digital Input or Digital Output
5V	5V Power	Power output for sensor or 5V Power for The Pill

## Schaltplan

Physical	
Size (HxWxD):	36.5 mm x 26.5 mm x 11.5 mm
Weight:	8 g

Shell color:	Black
<b>Environmental</b>	
Ambient working temperature:	0 to 40 °C / 32 to 105°F
Storage temperature:	-20 to 60 °C / -4 to 140 °F
	
Humidity:	30 % to 70 % RH
Max. altitude:	2000 m / 6562 ft
<b>Sensors, meters</b>	
Voltmeter range (DC)	0 V - 30 V
Voltmeter accuracy:	±(2% + 5d)
<b>Input circuits ratings</b>	
Digital inputs triggering voltage:	Active <b>LOW</b> ; Trigger low: < 0.83 V Trigger high: > 2.48 V
Digital inputs max. voltage	3.3 V
<b>Output circuits ratings</b>	
Max. switching voltage:	3.3 V (logic-level)
Max. switching current:	20 mA

## Basic wiring diagrams



## Declaration of conformity

[Shelly Analog 0 - 30V Add-on UKCA declaration of conformity 3032 2025-12-08.pdf](#)

[Shelly Analog 0 - 30V Add-on multilingual EU declaration of conformity 251 2025-12-08.pdf](#)

Newsletter abonnieren

Geben Sie Ihre E-Mail-Adresse ein

Mit dem Ankreuzen dieses Kästchens stimme ich zu, Newsletter und Marketinginformationen zu Shelly Produkten, Dienstleistungen und gemeinsamen Kampagnen mit Shelly Partnern per E-Mail gemäß der Datenschutzerklärung zu erhalten. Mir ist bewusst, dass ich mich jederzeit wieder abmelden kann.

✕   

Unternehmen