

A

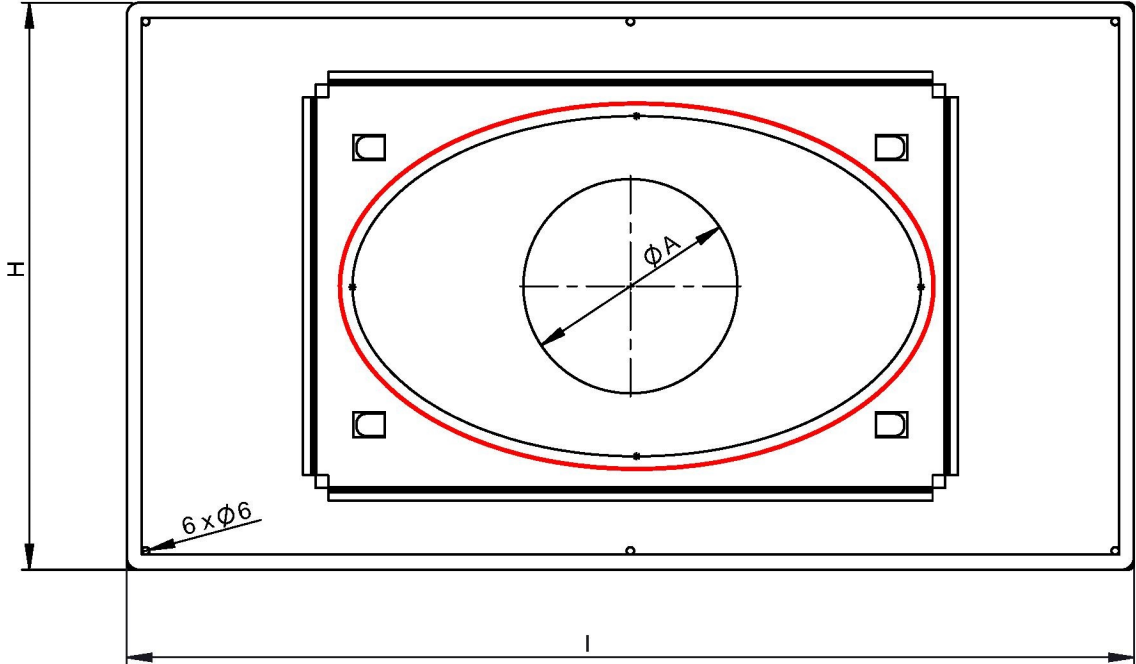
B

C

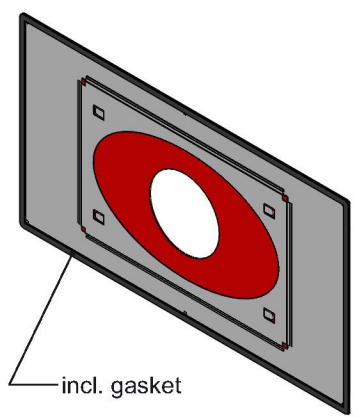
D

E

F



1:13 (150)



$\Phi$					<b>130</b>		<b>150</b>	<b>160</b>	<b>180</b>				
<b>A</b>					150		170	180	200				
<b>H</b>	400						450						
<b>l</b>	750						800						
<b>kg</b>	2,1						2,7						

notes:	DIN ISO 13920 Tolerances B			 <b>Jeremias</b> <sup>®</sup> CHIMNEY SYSTEMS	scale	
	revisions-no.				1:6	
		date	name		description	format
	drawn by	12.09.20	PWA		ceiling plate 21-40 ° with gasket	A4
	checked by	12.09.20	SWA			sheet
	approved by	12.09.20	JWY			1 of 1
modified by			code	<b>DW1704</b>		
			drawing-no.	<b>02-20-5504-000</b>		