

Assembly instructions

Activity toys to be assembled by adults for outdoor domestic use.

Montageanleitung

Aktivitätsspielzeug zum Zusammenbauen durch Erwachsene für den Einsatz im häuslichen Außenbereich.

Instructions de montage

Jouets d'activité à assembler par des adultes pour une utilisation extérieure familial.

2

PART

Manual ID: 048_048_2611

Design code: **111K7D**

Product name: **Manor 1-Swing 3.0**





Product number: **211536**



Jungle Gym

BACKYARD PLAYGROUNDS

since 1988

<p>Assembly time</p>  <p>6.0 hours by 2 adults v2715</p>	<p> EN. Warning! Only for domestic use. Maximum number of users is 7. DE. Achtung! Nur für den Hausgebrauch. Maximale Benutzerzahl: 7. FR. Attention! Réserve à un usage familial. Le nombre maximal d'utilisateurs est de 7. BG. Внимание! За употреба само в домашни условия. Максималният брой потребители е 7. CS. Varování! Jen pro domácí použití. Maximální počet uživatelů je 7. DA. Advarsler! Kun til privat brug. Maksimum antal brugere er 7. EL. Προειδοποίησης! Μόνο για οικιακή χρήση. Μέγιστος αριθμός χρηστών 7. ES. Advertencias! Sólo para uso doméstico. Número máximo de usuarios: 7. ET. Hoiatused! Ainult koduseks kasutamiseks. Maksimaalne kasutajate arv on 7. FI. Varoitukset! Ainoastaan kotikäyttöön. Käyttäjää yhteensä enintään 7. HR. Upozorenja! Samo za uporabu u domu. Maksimalan broj korisnika je 7. HU. Figyelmeztetések! Csak otthoni használatra! A használók max. száma: 7. IS. Varnaðarorð! Eingöngu fyrir einkanoðkun í heimahúsum og á einkalóðum. Hámarksfjöldi notenda er 7. IT. Avvertenze! Solo per uso domestico. Massimo numero di utenti è 7. LT. Dėmesio! Tik buitiniam naudojimui. Maksimalus naudotojų skaičius 7. LV. Brīdinājumi. Izmantot tikai mājās. Maksimālais lietotāju skaits ir 7. NL. Waarschuwing! Uitsluitend voor huishoudelijk gebruik. Het maximale aantal gebruikers is 7. NO. Advarsler! Kun for privat bruk. Maksimalt antall brukere er 7. PL. Ostrzeżenia! Wyłącznie do użytku domowego. Maksymalna liczba użytkowników to 7. PT. Avisos! Apenas para uso doméstico. O número máximo de utilizadores é 7. RO. Avertismente! Numai pentru uz domestic. Numărul maxim de utilizatori este 7. SK. Upozornenia! Iba na domáce použitie. Maximálne množstvo osôb je 7. SL. Opozorila! Samo za domačo uporabo. Maksimalno število uporabnikov je 7. SV. Varningar! Endast för hemmabruk. Det maximala antalet användare är 7.</p>	<p></p> <p></p>
---	---	---

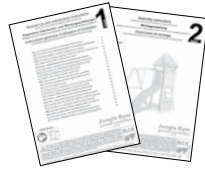


General safety notice

Allgemeine Sicherheitswarnung

Avertissement de sécurité général

OWNER MANUAL



Important: Before assembling and using this product, please carefully read the provided Use- and maintenance instructions ([part 1](#)) and assembly instructions ([part 2](#)) thoroughly.

Wichtig: Lesen Sie vor der Montage und Benutzung dieses Produkts die beiliegende Gebrauchs- und Wartungsanweisungen ([Teil 1](#)) und die Montageanleitung ([Teil 2](#)) sorgfältig durch.

Important: Avant de monter et d'utiliser ce produit, veuillez lire attentivement le manuel Instructions d'utilisation et de maintenance ([partie 1](#)) et les instructions de montage ([partie 2](#)).



1-5

Warnings!
Achtung!
Attention!



1-12

Potential hazards
Potenzielle Gefahren
Dangers potentiels



1-7

Installation notices
Installationsplanung
Planification de l'installation



1-14

Assembly instructions
Montageanweisungen
Instructions de montage



1-7

Safe play instructions
Sichere Spielanweisungen
Consignes de jeu sécurité



Customer service and support

Kundendienst und Unterstützung

Service clients et support



[Frequently Asked Questions](#)
[Häufig gestellte Fragen](#)
[Foire aux questions](#)
[Veelgestelde Vragen](#)



Fill out the [contact form](#) and we'll get back to you as soon as possible.
Füllen Sie das [Kontaktformular](#) aus und wir melden uns so schnell wie möglich bei Ihnen.
Remplissez le [formulaire de contact](#) et nous vous répondrons dans les plus brefs délais.
Vul het [contactformulier](#) in en we nemen zo snel mogelijk contact met je op.



Get in touch

Availability:
Monday – Thursday:
CET 09:00 AM – 04:00 PM
Friday:
CET 09:00 AM – 01:00 PM



EU +31 85 44 44 102
International phone charges may apply.



info@junglegym.com



www.junglegym.com



[instagram.com/junglegymofficial](https://www.instagram.com/junglegymofficial)



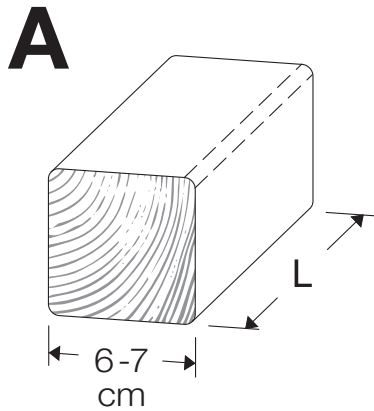
Preparatory work Vorbereitende Arbeiten Travaux préparatoires

Overview of the total delivery scope
Übersicht über den gesamten Lieferumfang
Aperçu de l'ensemble de la portée de livraison

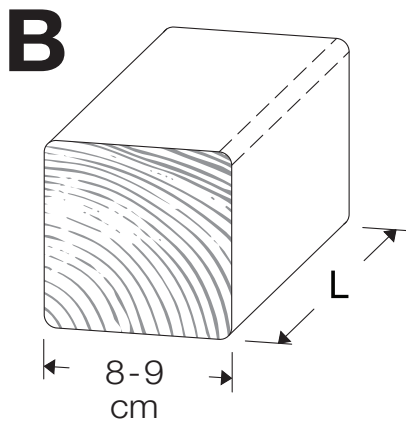


#	Sub-assembly ID	Description	FFC ID
1	BT11a	Base Tower 115_240240_125	792_002
1	ET05a	Extension Tower 11580_200_125	792_101
1	RF07a	Roof Canvas Gable 115 Gable	792_201
1	BL01a	Balustrade 80_ U	790_301
1	BL03a	Balustrade 115_ U	792_301
1	BL04a	Balustrade 115_ T	792_301
1	LA13a	Ladder 115_125 T L x Balustrade	792_431
1	RA08b	Ramp 115 T R	792_442
1	SL01a	Slide Frame 80_125 U	790_901
1	SW10a	1- Swing Module 220 3.0	757_159
1	AC01a	Accessories Set	194_119
1	AC21a	Accessories Swing Seat	250_034
1	Wavy Star Slide XL	324_x00	324_x00

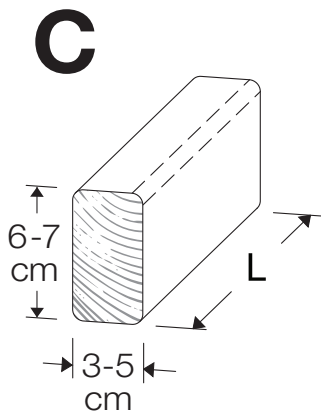
Identifying and inventorying of the individual timber parts
 Identifizierung und inventarisieren der der einzelnen Holzteile
 Identification et inventorier les pièces en bois individuels



ID	L	#
A200	199 cm - 200 cm	2
A240	239 cm - 240 cm	6

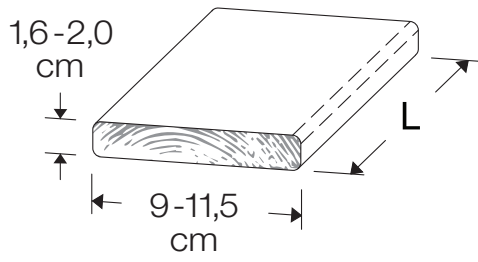


B160	159 cm - 160 cm	1
------	-----------------	---



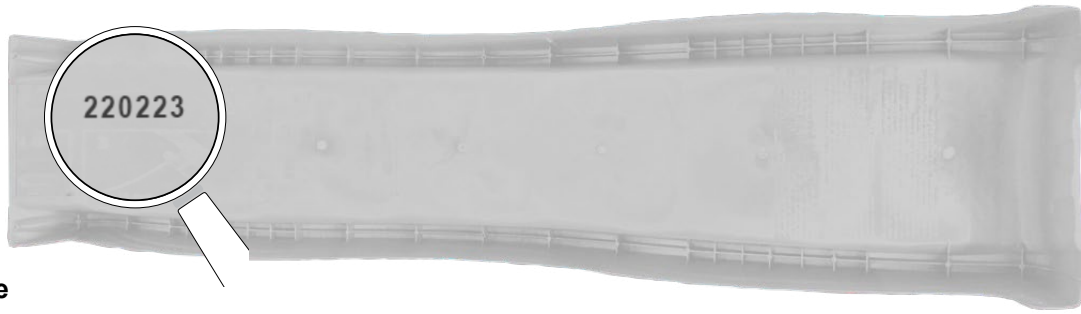
C37	36 cm - 37 cm	4
C70	69 cm - 70 cm	1
C74	73 cm - 74 cm	5
C90	89 cm - 90 cm	2
C96	85 cm - 96 cm	2
C114	113 cm - 114 cm	10
C130	129 cm - 130 cm	2
C154	153 cm - 154 cm	2
C206	205 cm - 206 cm	1

D



D60	59 cm - 60 cm	18
D65	64 cm - 65 cm	21
D74	73 cm - 74 cm	6
D100	99 cm - 100 cm	23
D114	113 cm - 114 cm	15
D120	119 cm - 120 cm	3
D141	140 cm - 141 cm	2

Identification, inventorying, and registering of the individual accessories and parts
 Identifizierung, inventarisieren und registrieren von der einzelnen Zubehör und Teilen
 Identification, inventorier et enregistrer les accessoires et pièces individuels



Example

No:

2 2 0 2 2 3

1. [grid]

2. [grid]

Identification, inventorying, and registering of the individual assembly kits
 Identifizierung, inventarisieren und registrieren der der einzelnen Bausätze
 Identification, inventorier et enregistrer les kits de construction individuels

Example

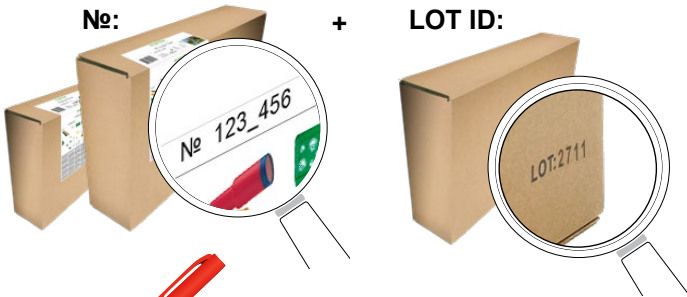
No:

LOT ID:

No:

LOT ID:

1 2 3 _ 4 5 6 _ 2 7 1 1



No:

LOT ID:

No:

LOT ID:

1. [grid]

2. [grid]

3. [grid]

4. [grid]

5. [grid]

6. [grid]

7. [grid]

8. [grid]

9. [grid]

10. [grid]

Identification, inventorying, and registering of the individual assembly packs
Identifizierung, inventarisieren und registrieren der einzelnen Baupakete
Identification, inventorier et enregistrer les packs de construction individuels



Example

Accessory Set

AC

194_119

1x

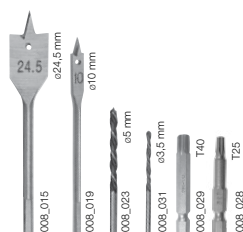
LOT: **2 7 1 1**

<p>Balustrade 140</p> <p>BL</p> <p>194_501</p> <p>2x</p> <p>LOT: [][][][]</p>	<p>Accessory Set</p> <p>AC</p> <p>194_119</p> <p>1x</p> <p>LOT: [][][][]</p>	<p>Slide XL 2.2m</p> <p>324_x00</p> <p>1x</p> <p>LOT: [][][][]</p>	<p>Slide Frame</p> <p>SL</p> <p>194_107</p> <p>1x</p> <p>LOT: [][][][]</p>	<p>Swing Module Kit</p> <p>SW</p> <p>457_103</p> <p>1x</p> <p>LOT: [][][][]</p>
<p>Tower 115</p> <p>BT ET</p> <p>194_300</p> <p>2x</p> <p>LOT: [][][][]</p>	<p>Ramp</p> <p>RA</p> <p>194_008</p> <p>1x</p> <p>LOT: [][][][]</p>	<p>Ladder 125</p> <p>LA</p> <p>194_003</p> <p>1x</p> <p>LOT: [][][][]</p>	<p>Hardware 01</p> <p>BL H01</p> <p>194_101</p> <p>2x</p> <p>LOT: [][][][]</p>	<p>Roof Canvas 115</p> <p>RF</p> <p>194_312</p> <p>1x</p> <p>LOT: [][][][]</p>
<p>Canvas 185 x 120cm</p> <p>123_222</p> <p>1x</p> <p>LOT: [][][][]</p>	<p>Swing Seat</p> <p>AC</p> <p>250_034</p> <p>1x</p> <p>LOT: [][][][]</p>			

Overview of the contents of the standard included start package
Übersicht über den Inhalt des standardmäßig enthaltenen Startpakets
Aperçu du contenu du pack de démarrage inclus standard



Overview of the bit and drill bit references
Übersicht über die Bit- und Bohrer-Referenzen
Aperçu des références des embouts et des forêts



Overview of all hardware and part references for identification
Übersicht über alle Hardware- und Teile-Referenzen zur Identifizierung
Aperçu de toutes les références de matériel et de pièces pour identification

		#	L
 ø 5	 T-40	 ø 8.0 mm	001_404 30 mm
			001_406 45 mm
			001_411 60 mm
			001_417 80 mm
			001_422 137 mm
 ø 10	 T-40	 M8	001_102 30 mm
 ø 2.0 mm	 ø 2.0 mm	 L	000_101 20 mm
 ø 3.5	 T-25	 ø 6.3 mm	002_036 16 mm
 ø 3.5	 PH-2	 ø 4.5 mm	002_041 20 mm
 PH-2	 PH-2	 ø 3.5 mm	002_042 13 mm
 PH-2	 PH-2	 ø 3.9 mm	002_301 40 mm

		#	L
 ø 3.5	 T-25	 ø 5.0 mm	002_308 20 mm
			002_219 30 mm
			002_220 45 mm
			002_223 80 mm
 ø 10	 ø 10	 M8	004_050 22mm
 ø 2.0 mm	 ø 2.0 mm	 M8	003_010
 ø 6.3 mm	 ø 6.3 mm	 M6	003_034
 ø 4.5 mm	 ø 4.5 mm	 ø 4.5 mm	022_845 Yellow
			022_846 Blue
			022_847 Green
			022_848 Red
 ø 3.5 mm	 ø 3.5 mm	 ø 3.5 mm	023_031 White
 ø 3.9 mm	 ø 3.9 mm	 ø 3.9 mm	120_005 White
			022_844 022_314



Complete climbing frame identification and registration

Identifizierung und Registrierung des kompletten Klettergerüsts

Identification et enregistrement de la structure d'escalade complète

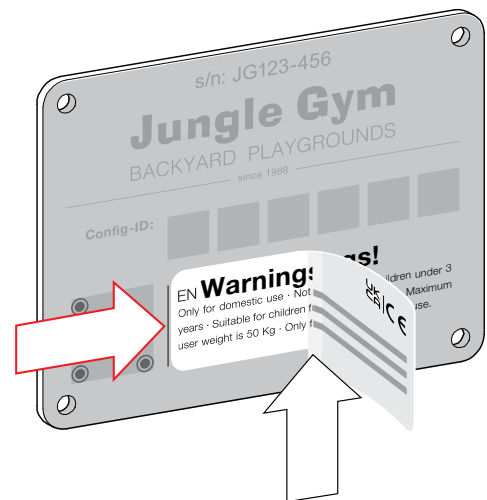
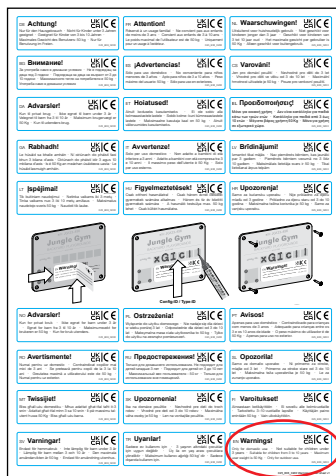
Your design code
Ihr Designcode
Votre code de design



Complete climbing frame identification

Identifizierung des kompletten Klettergerüsts

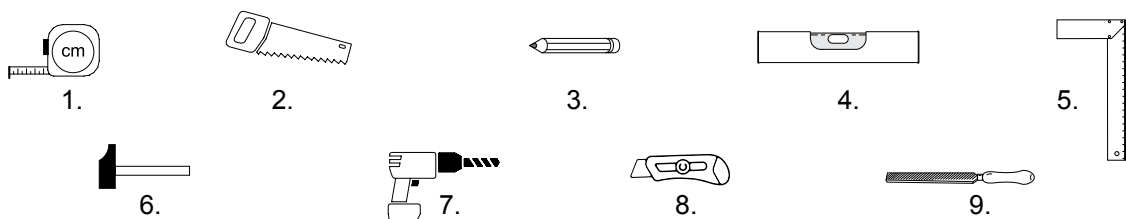
Identification de la structure d'escalade complète



Required tools and materials

Benötigtes Werkzeug und Materialien

Outils et matériaux nécessaires





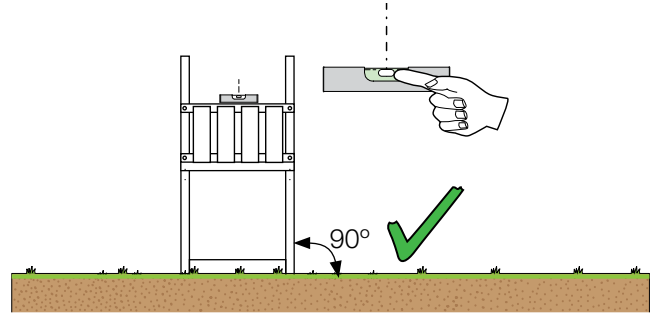
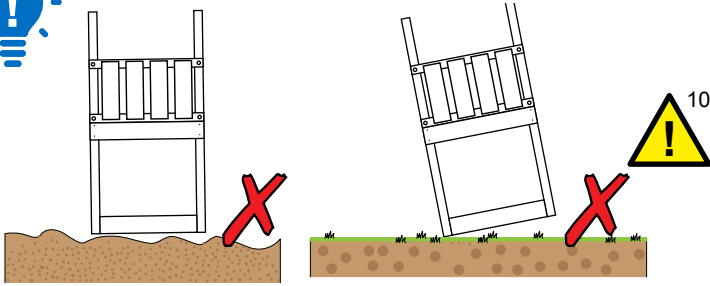
Installation and safety notices

Installationsplanung und Sicherheitshinweise

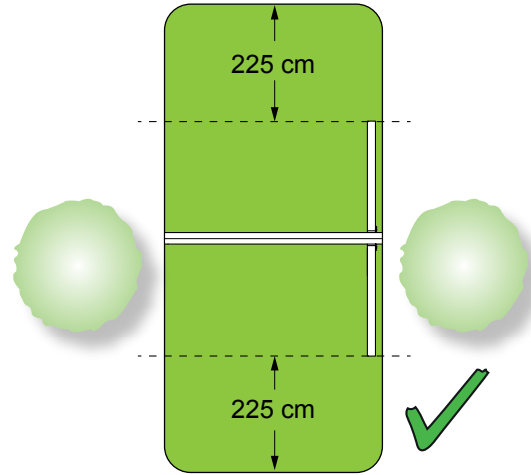
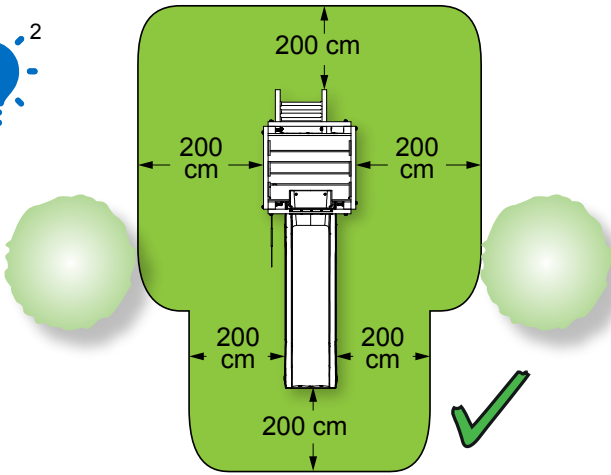
Planification de l'installation et avis de sécurité



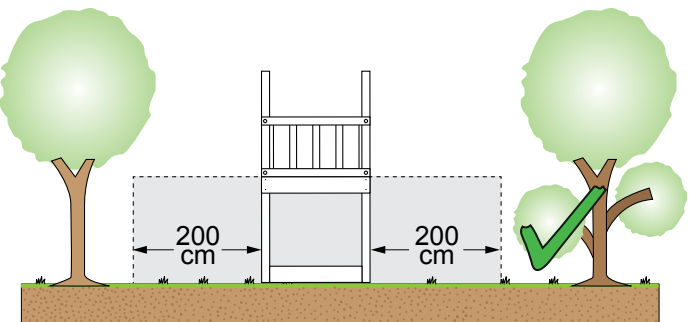
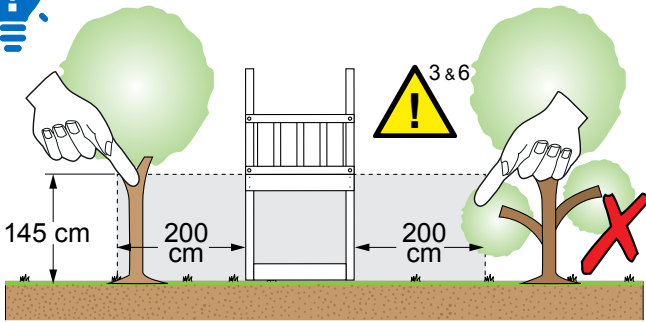
1



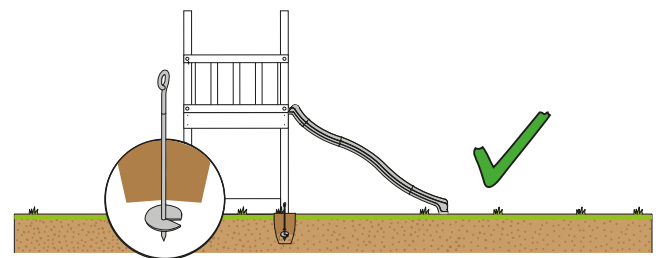
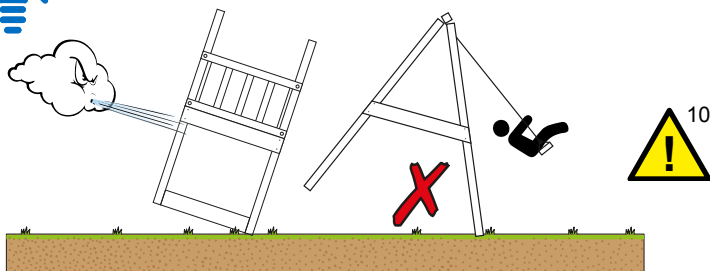
2

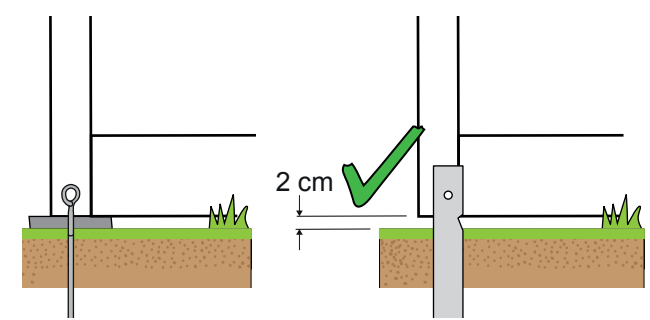
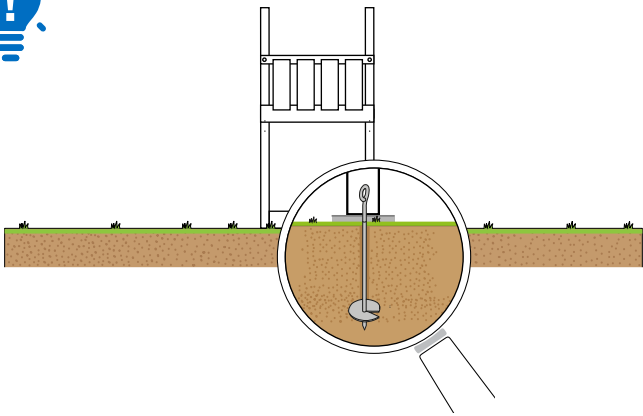
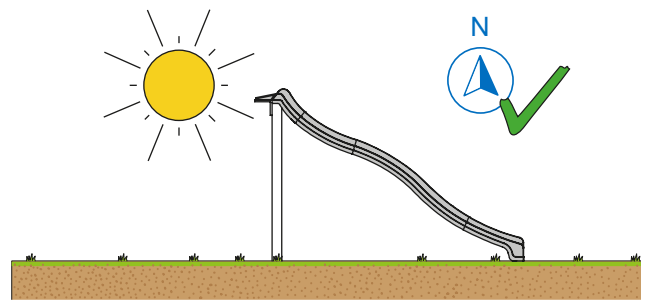
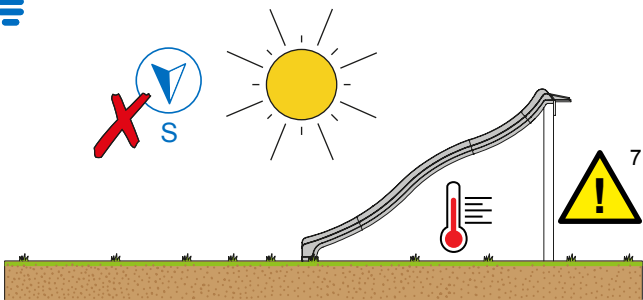
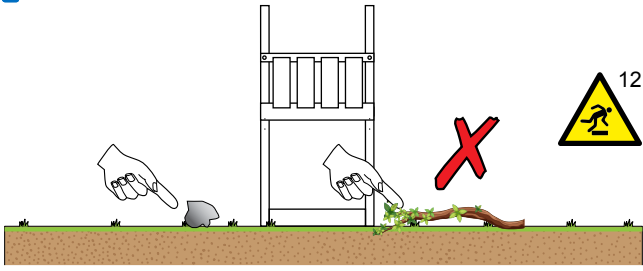


3

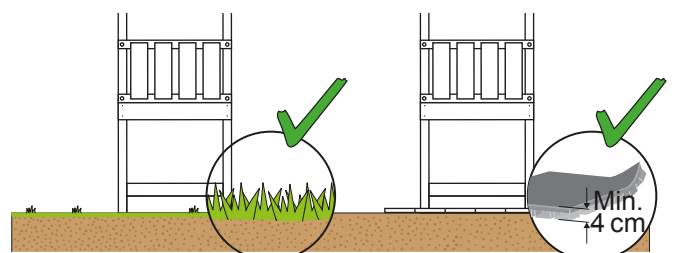
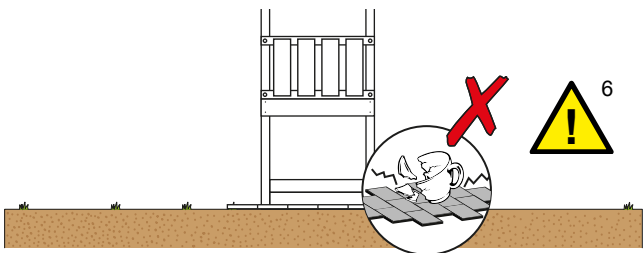


4





Shock absorbing surfaces Stoßdämpfende Oberflächen Surfaces d'absorption des chocs





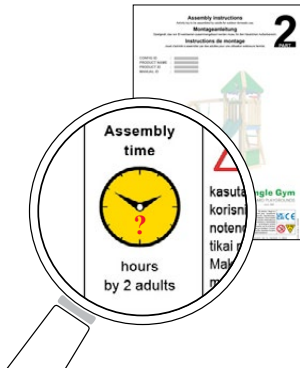
Assembly instructions and safety notices

Montageanweisungen und Sicherheitswarnungen

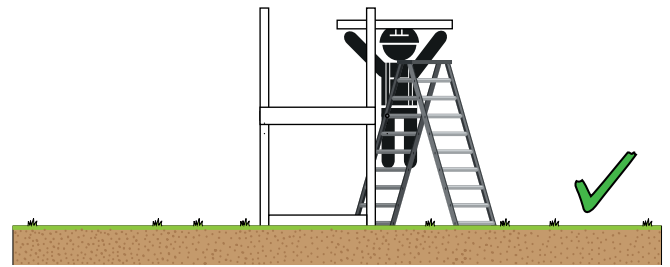
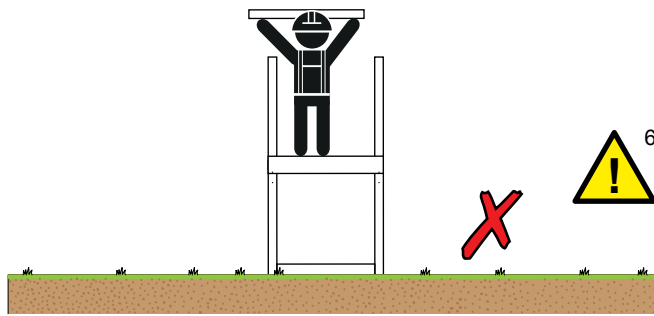
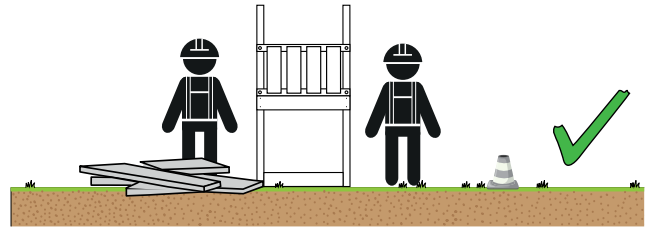
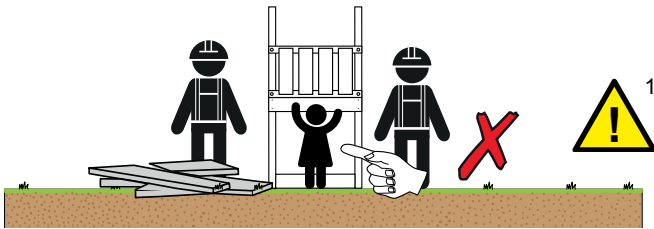
Instructions de montage et avis de sécurité



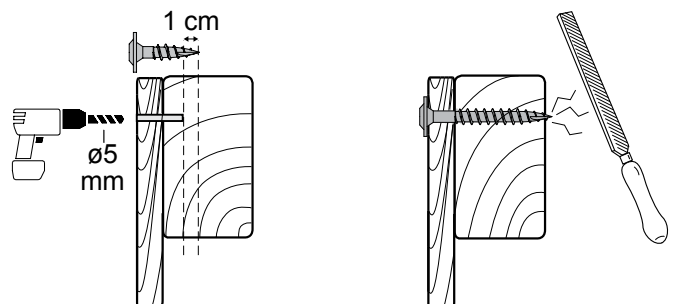
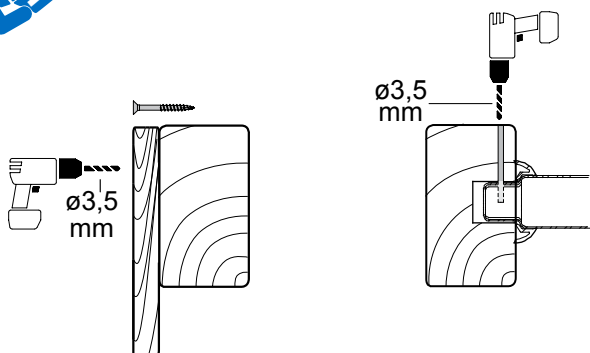
1&2



3&4



5

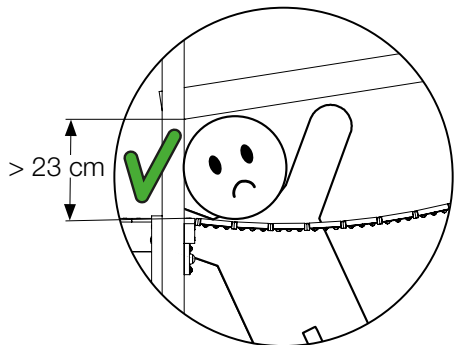
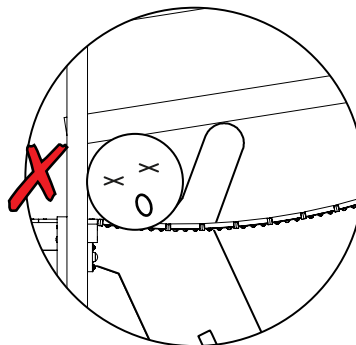
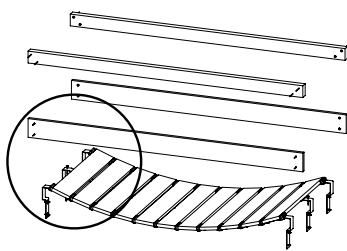
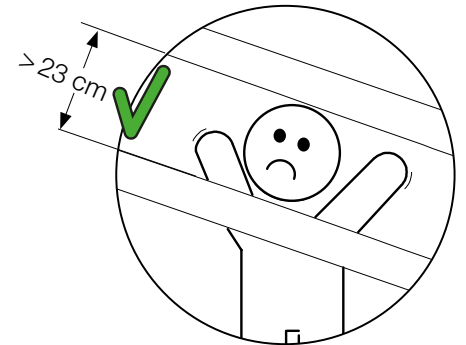
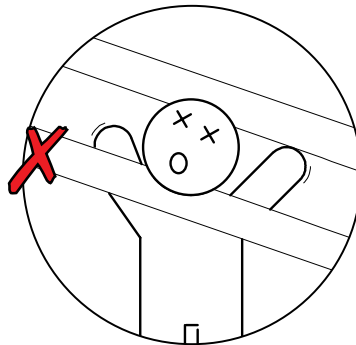
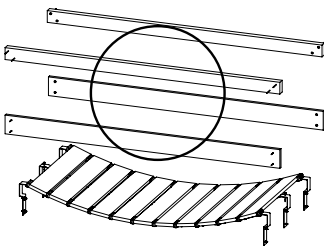
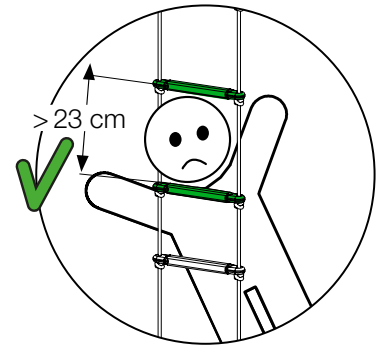
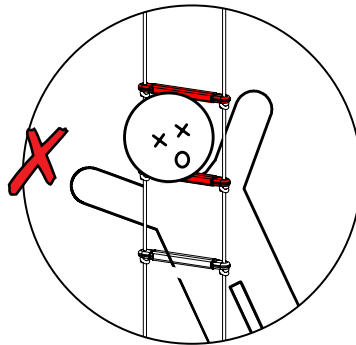
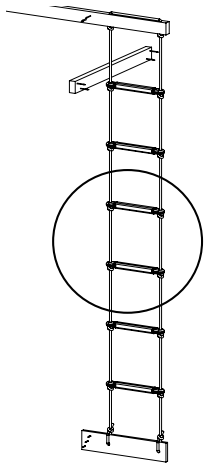
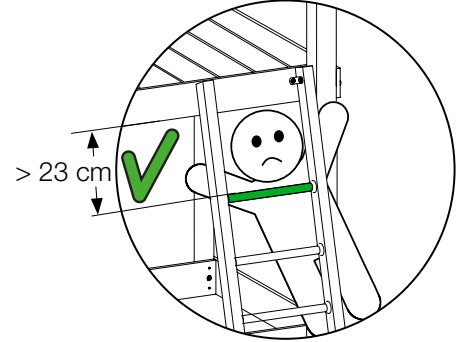
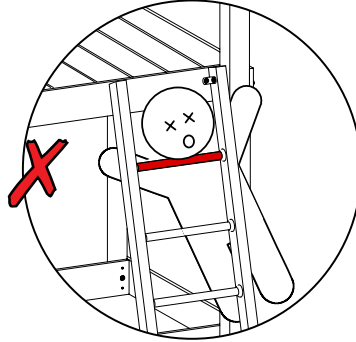
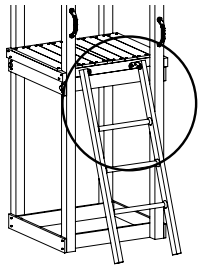




6



5&9

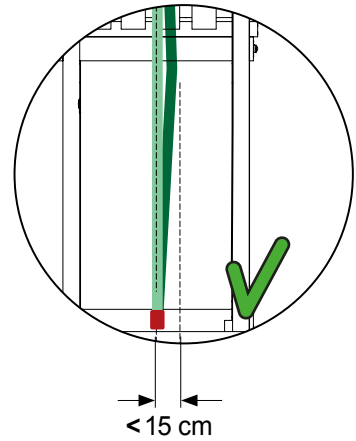
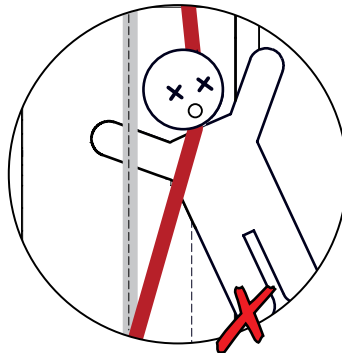
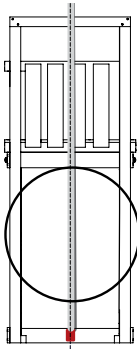
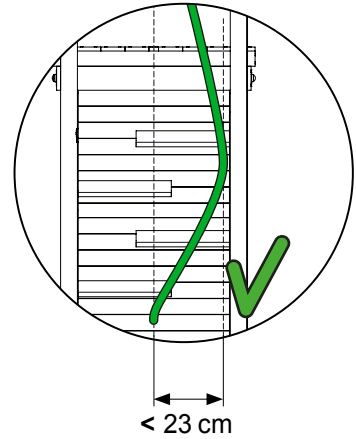
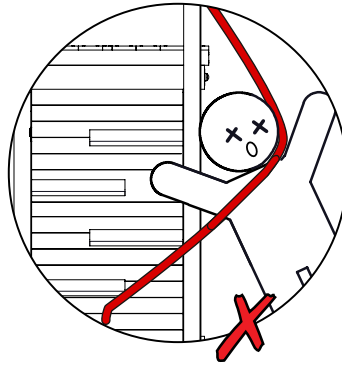
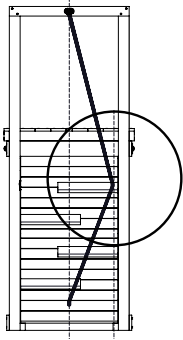
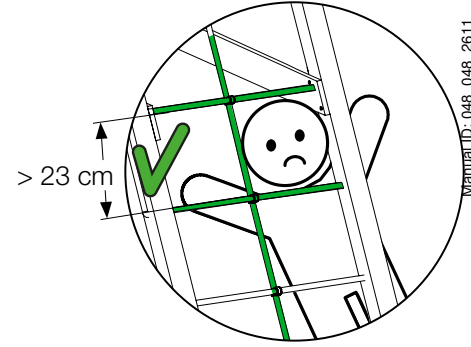
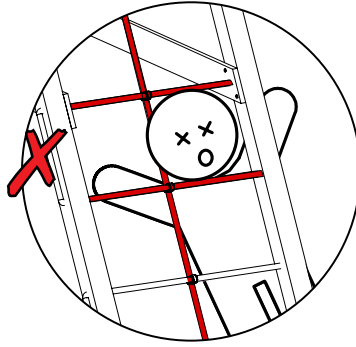
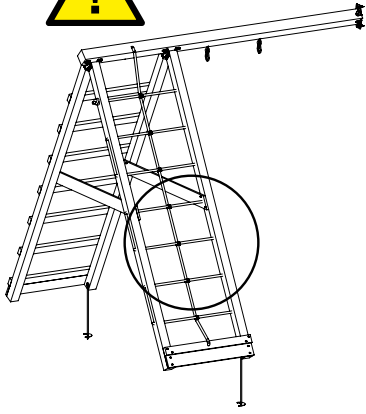




8&9



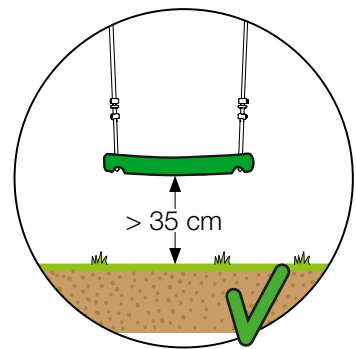
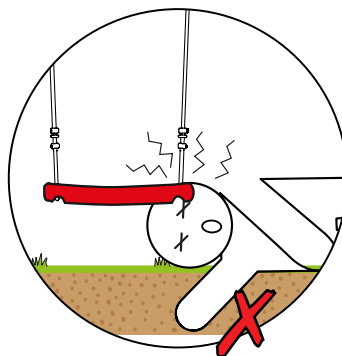
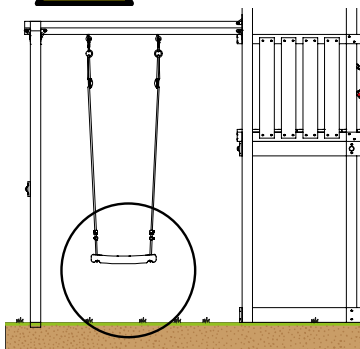
9



8&9



3



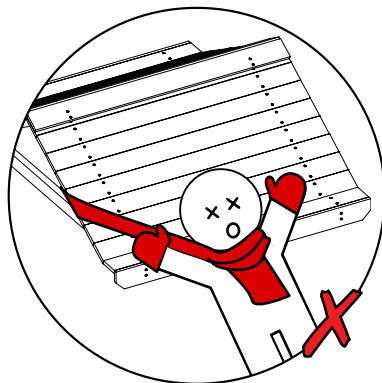
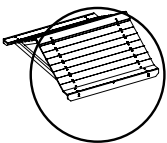
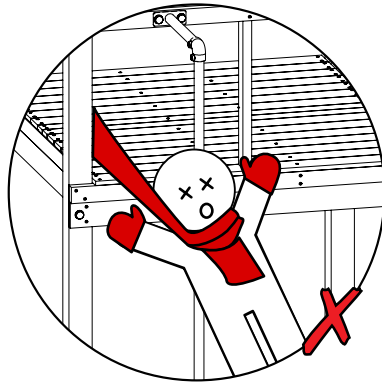
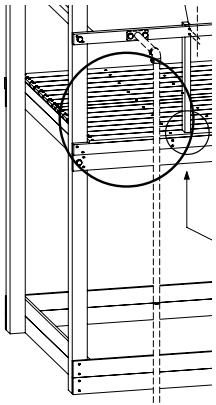
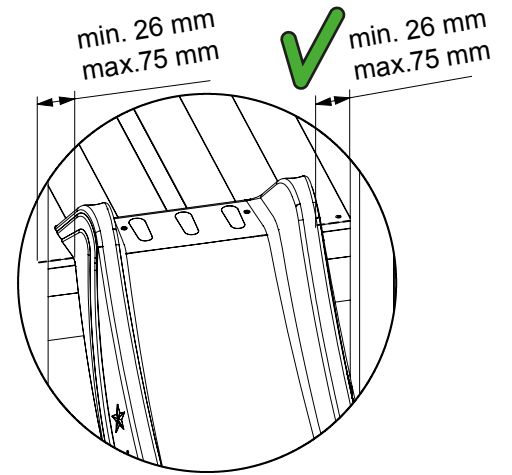
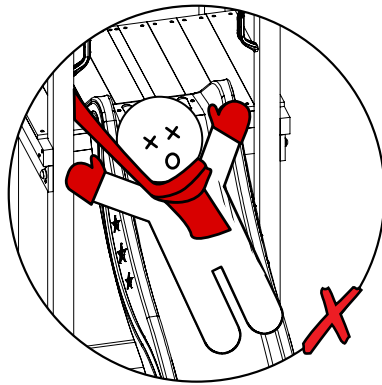
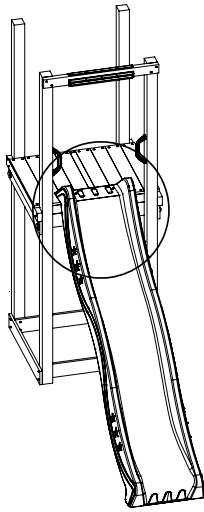
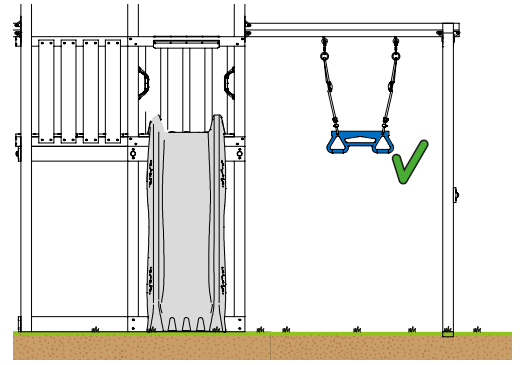
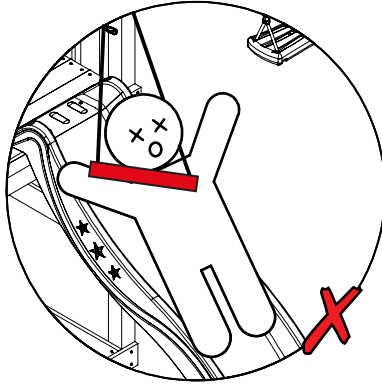
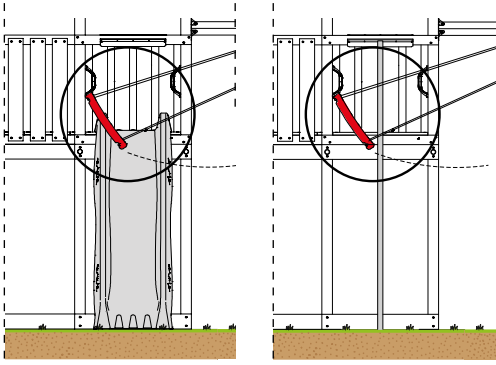
040_401_2715_TP_Part_2_P13 20250409

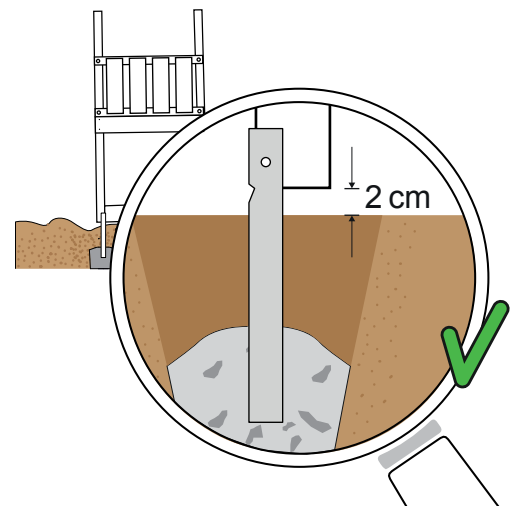
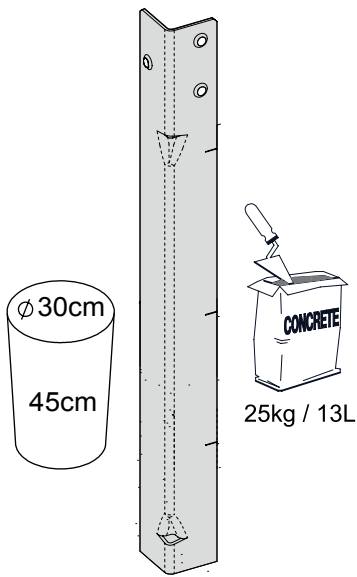
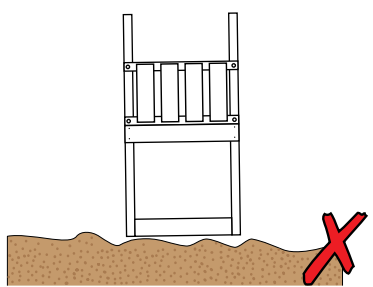
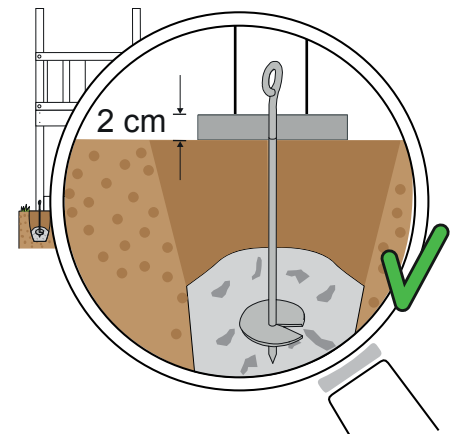
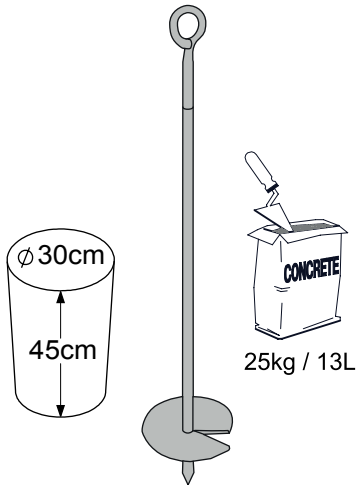
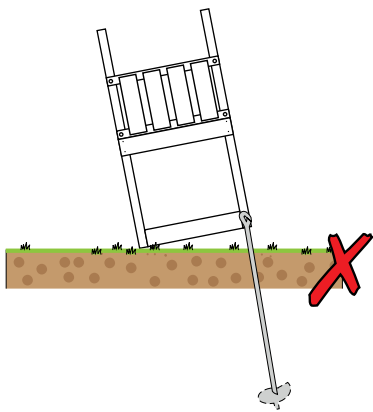
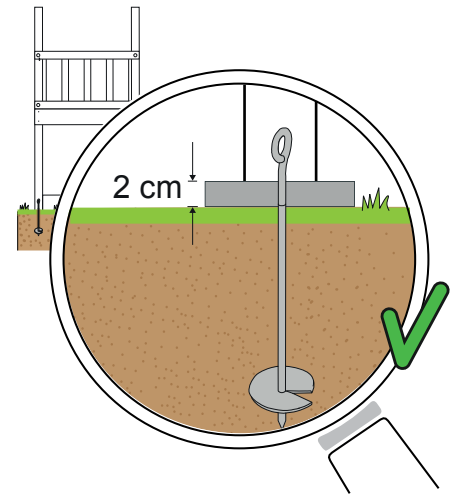
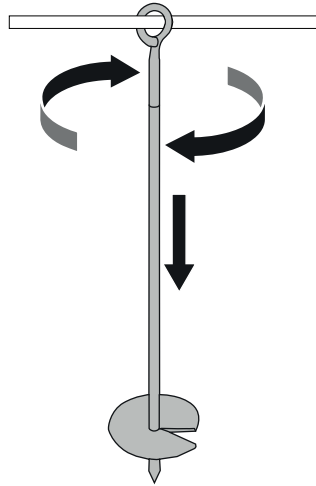
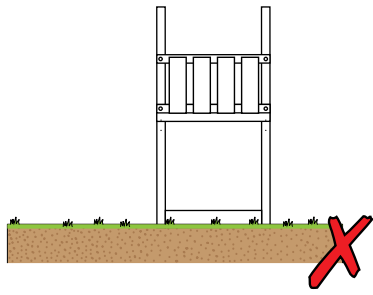


10



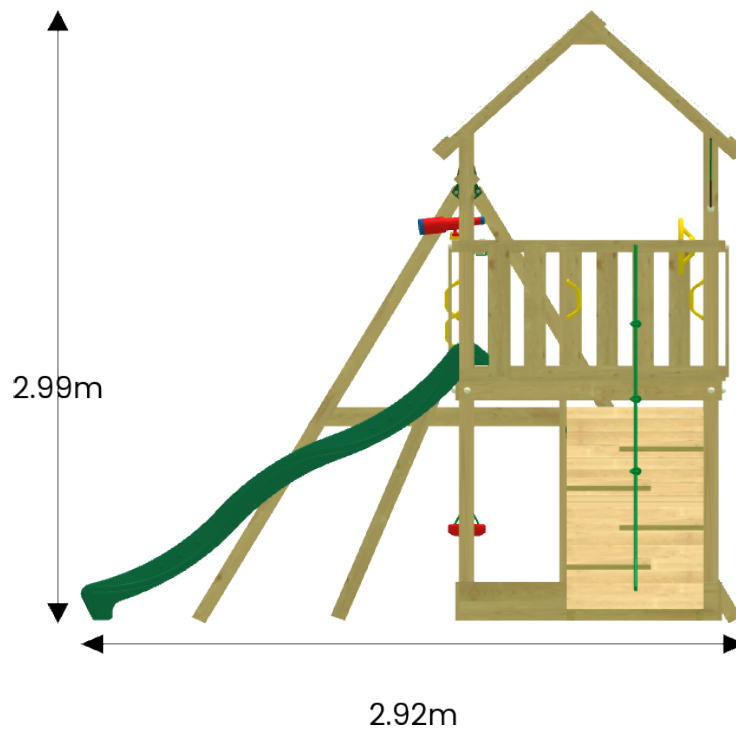
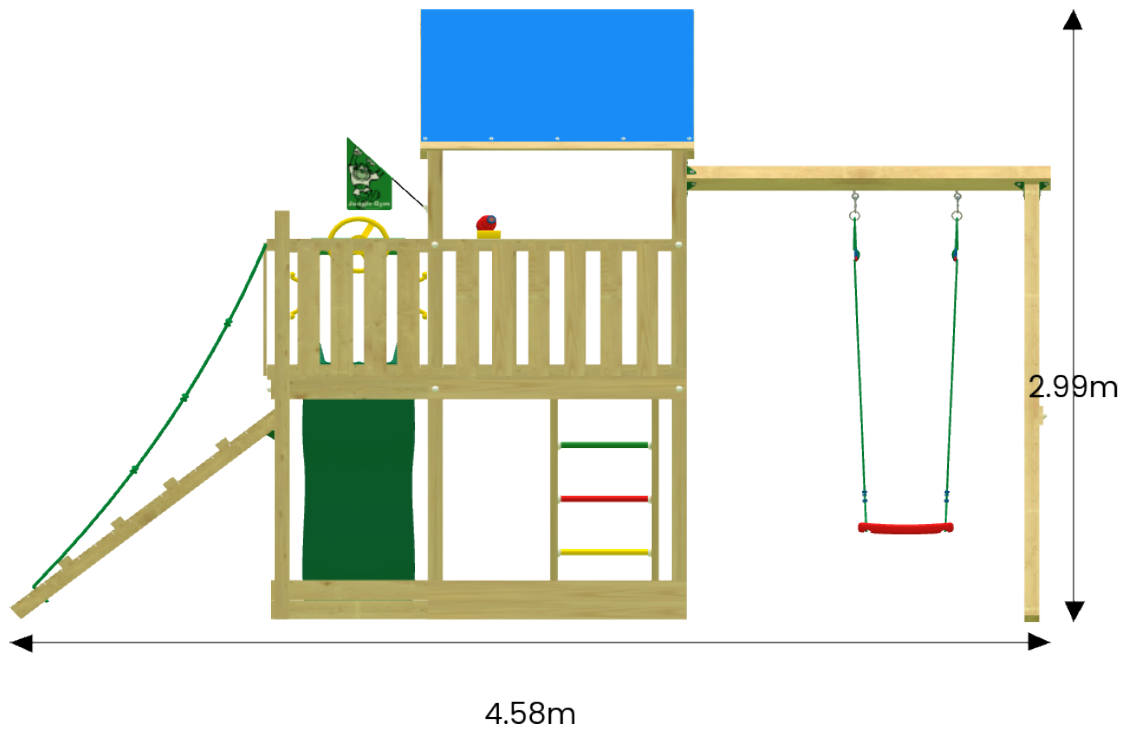
4&9





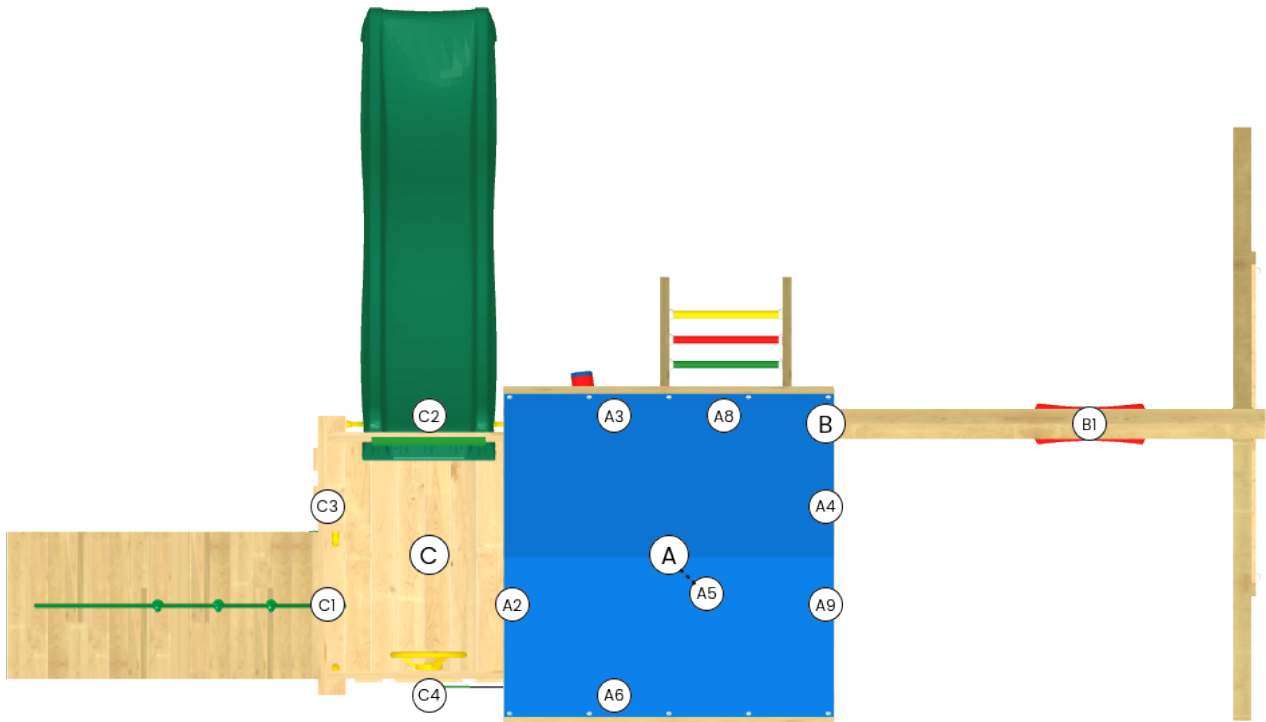


Dimensions Abmessungen Dimensions






Assembly sequence Montagereihenfolge Séquence d'assemblage



	ID			A	B	C
1	BT11a		p.20	✓	-	-
2	ET05a		p.23	-	-	✓
3	BL01a		p.26	-	-	C4
4	BL03a		p.27	A9	-	-
5	BL04a		p.28	A6	-	-
6	RF07a		p.29	A5	-	-
7	LA13a		p.31	A8	-	-
8	RA08b		p.34	-	-	C1
9	SW10a		p.39	-	✓	-
10	SL01a		p.47	-	-	C2
11	GA		p.50	✓	✓	✓

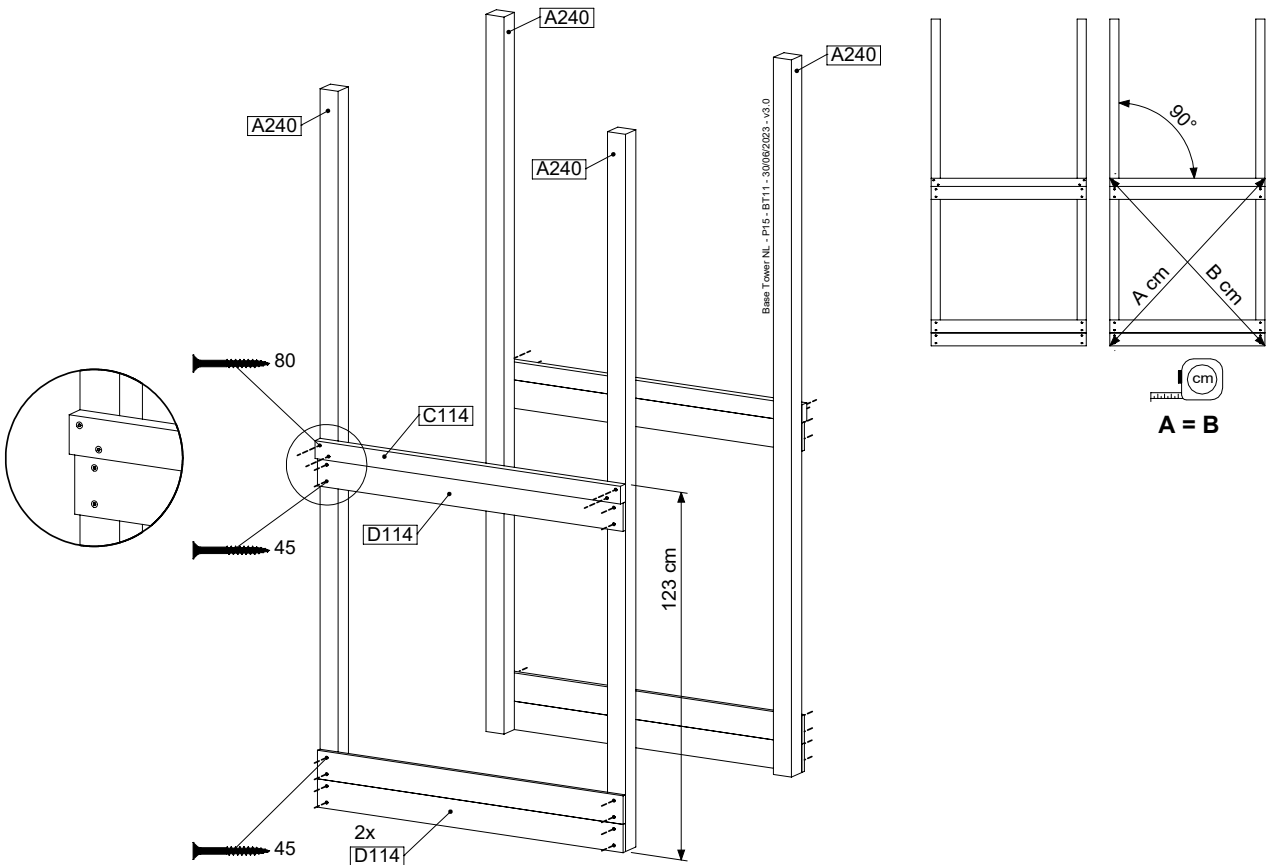
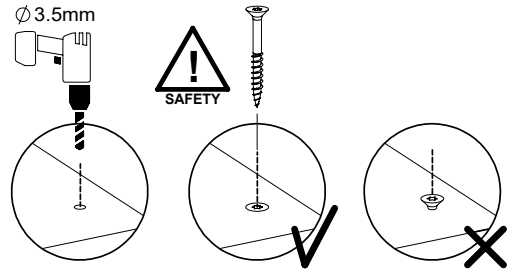
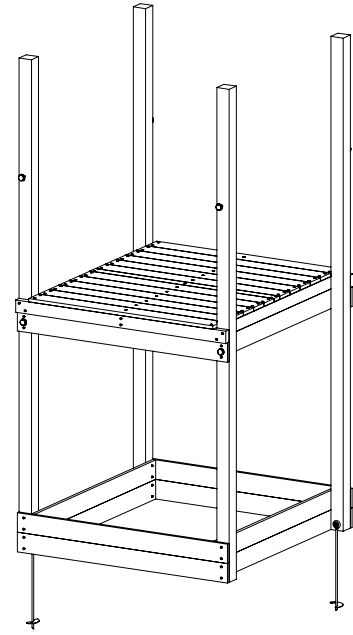
	ID			A	B	C
12	AC01a		p.52	✓	-	-

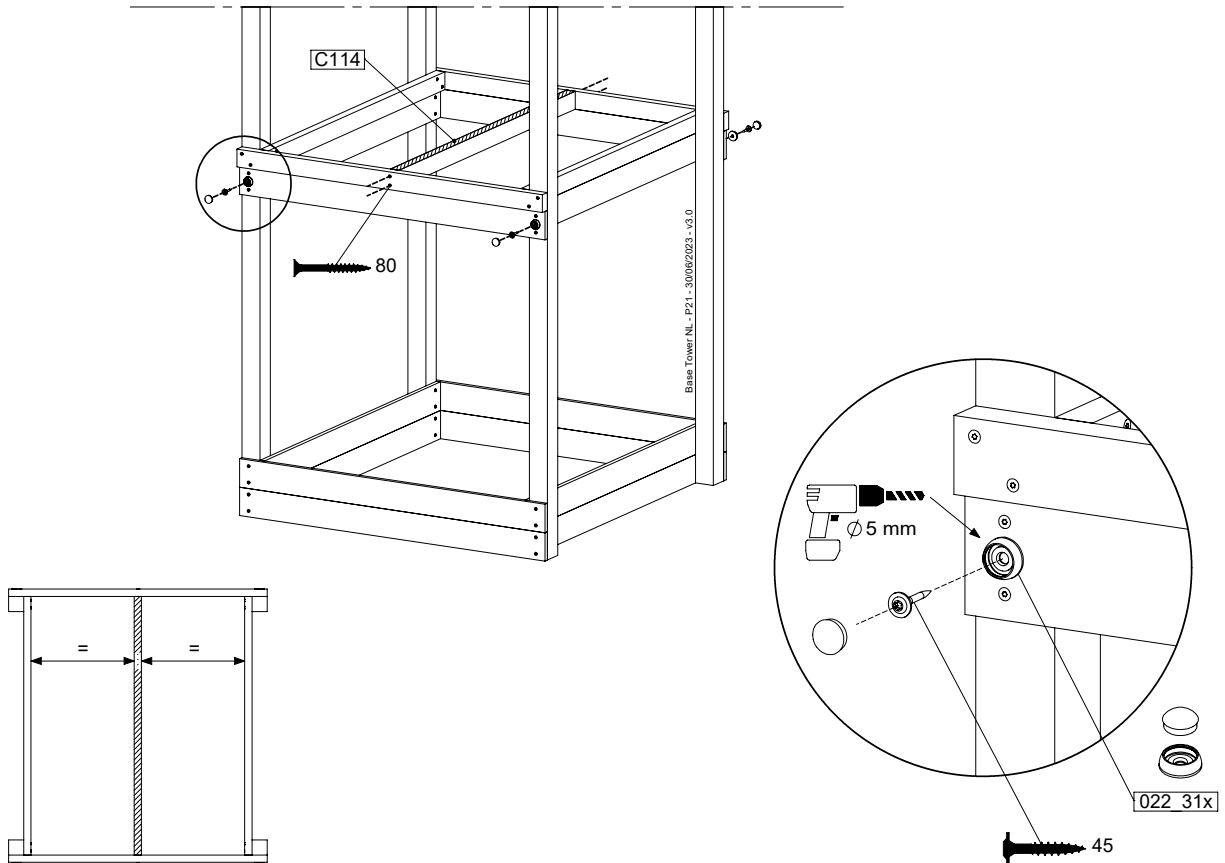
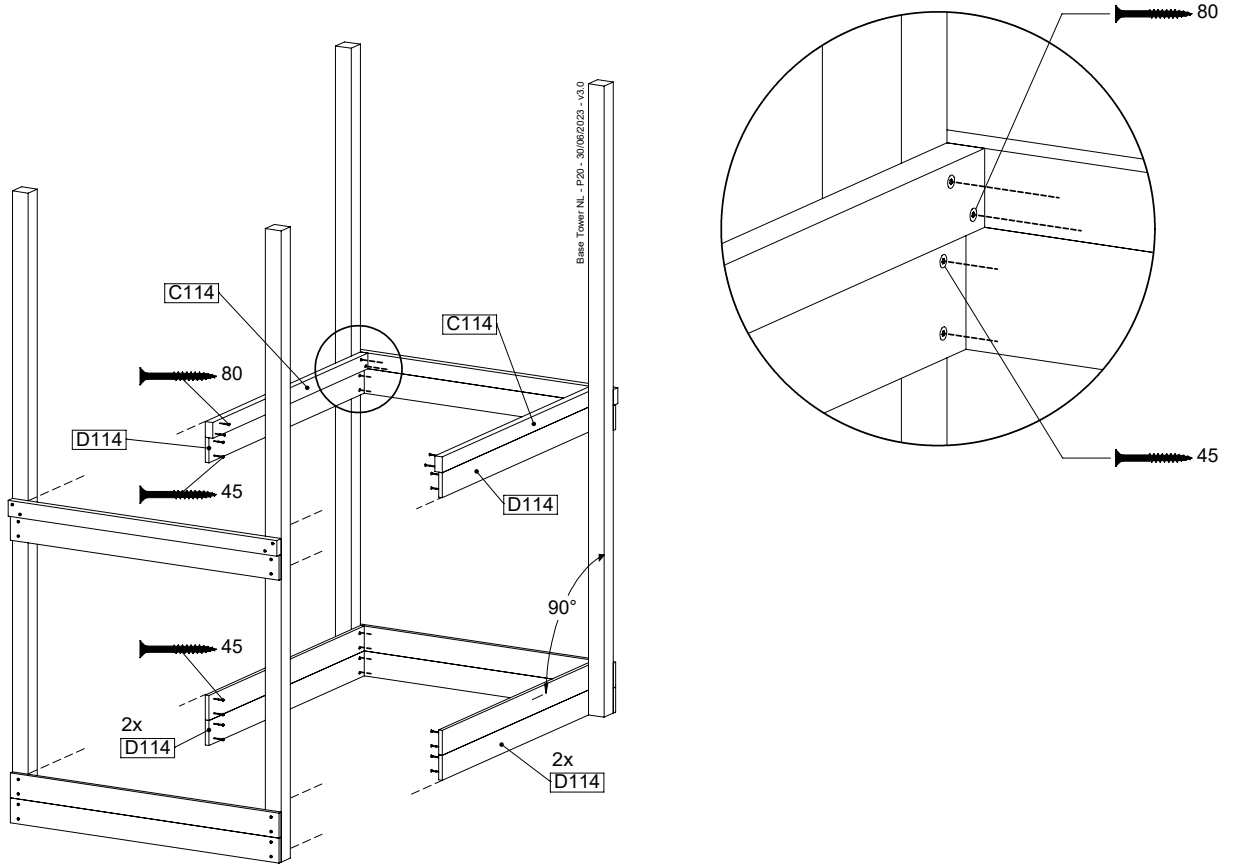
1 BT11a: Base Tower 115 125cm 240240

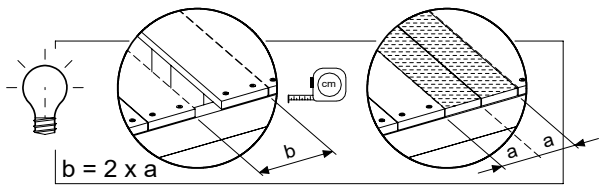
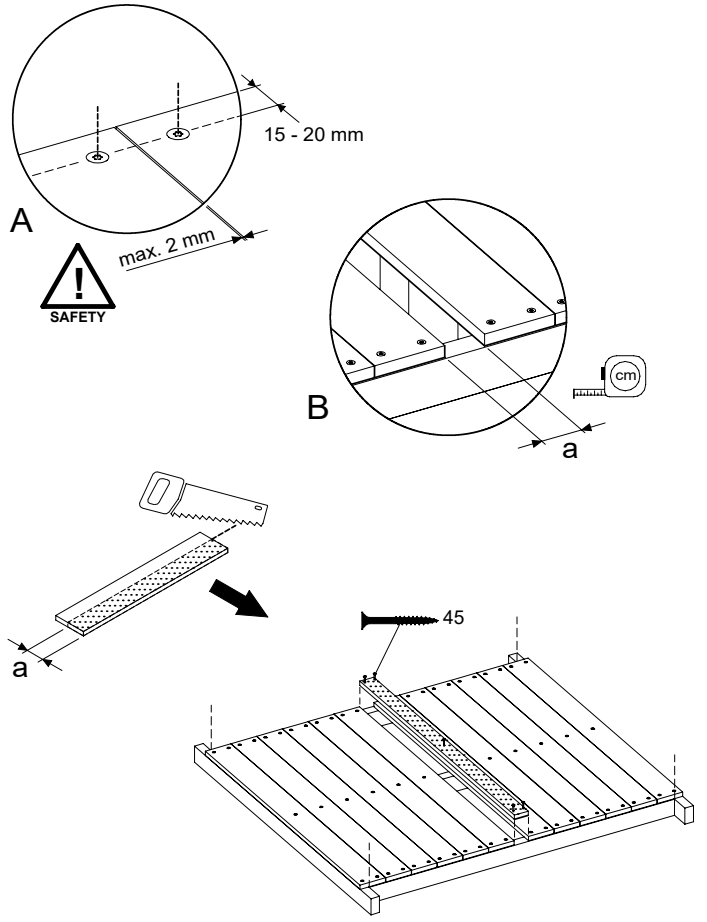
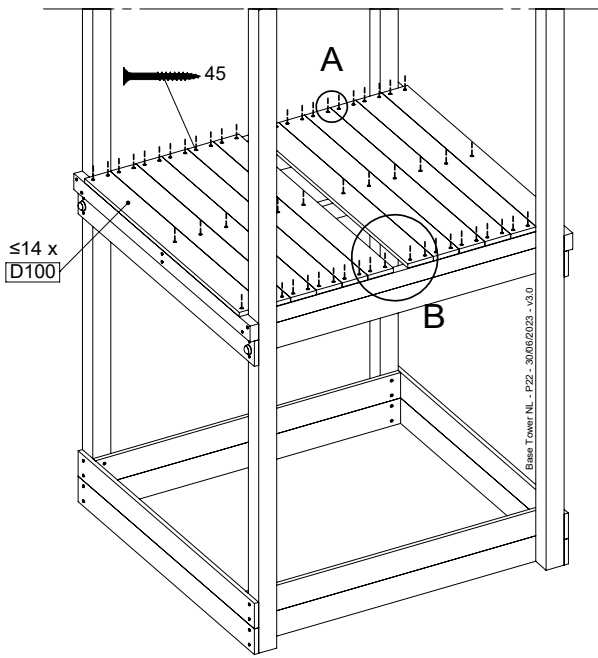
(194_300)

	PartNo	PartName	QTY.
Hardware pack	001_406	Stealth Screw 8x45	6
	001_417	Stealth Screw 8x80	4
	002_220	Gap Point Screw T25 - 5x45	118
	002_223	Gap Point Screw T25 - 5x80	20
	022_31x	bpc-base version 3	8
	022_84x	bpc cover	8
Other	007_001	Ground-anchor	2
Timber	A240	Post 70x70 L2400	4
	C114	Beam 1140 mm	5
	D100	Board 1000 mm	14
	D114	Board 1140 mm	12

Base Tower NL - P15 - BT11 - 300062023 - v3.0





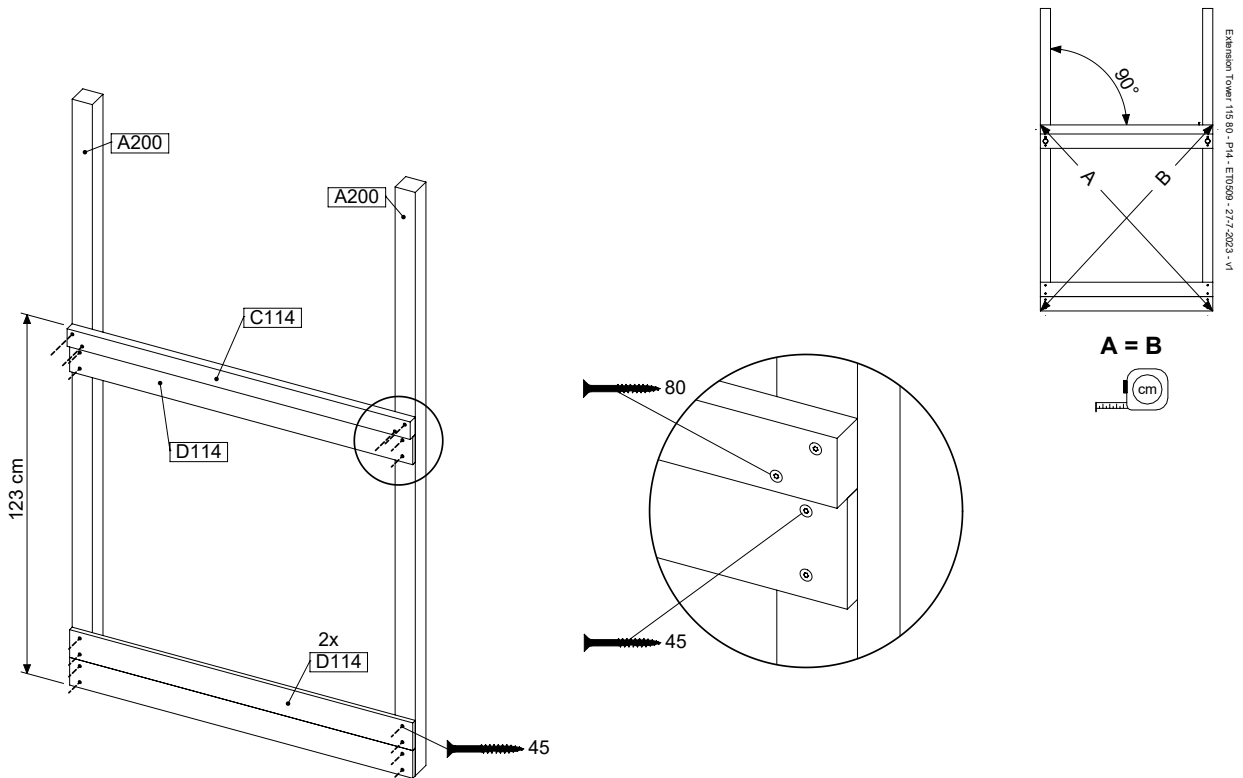
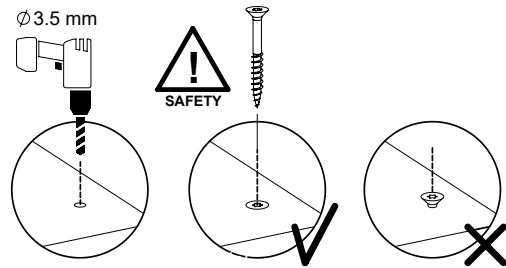
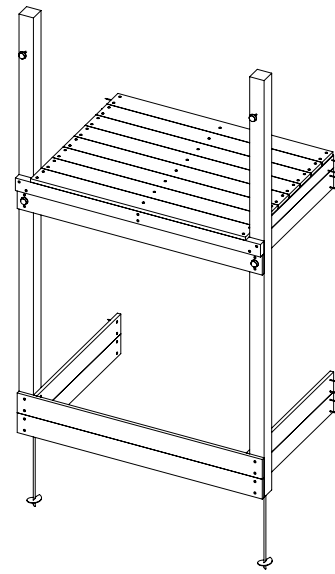


2 ET05a: Extension Tower 11580 200/125

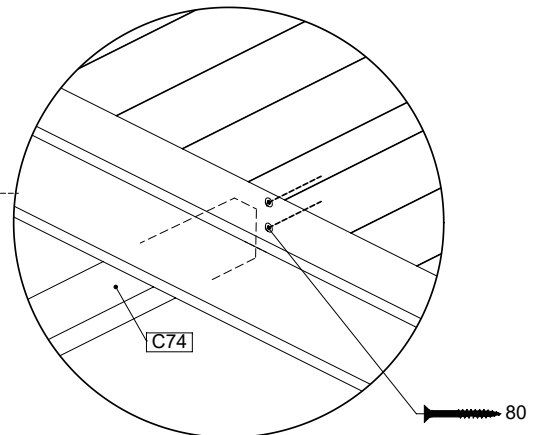
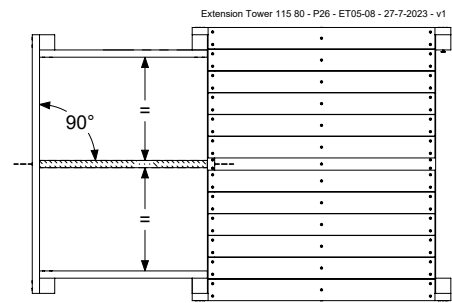
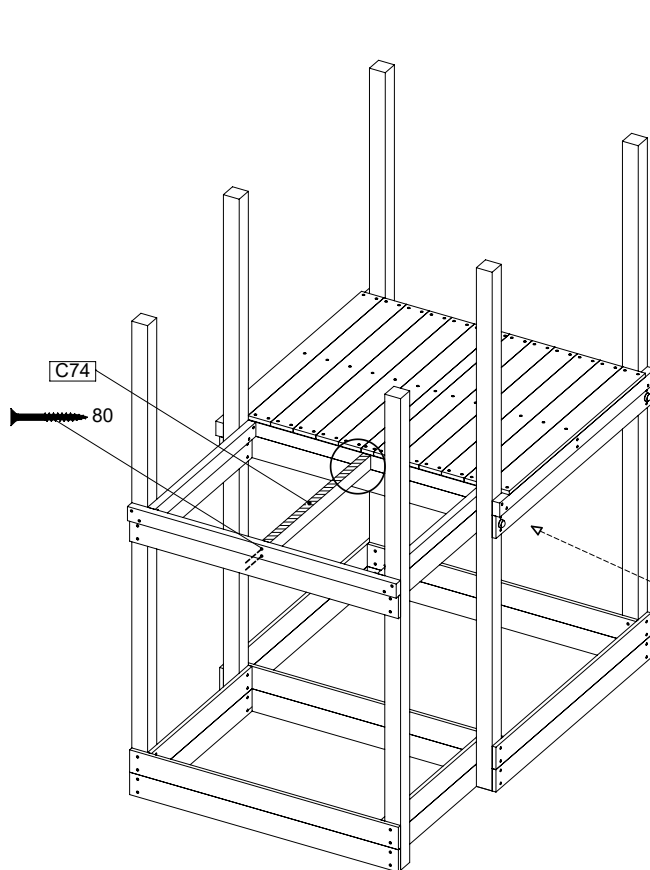
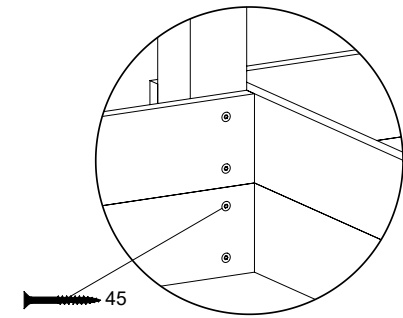
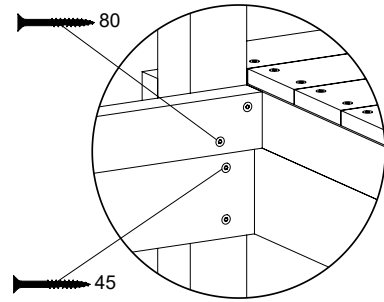
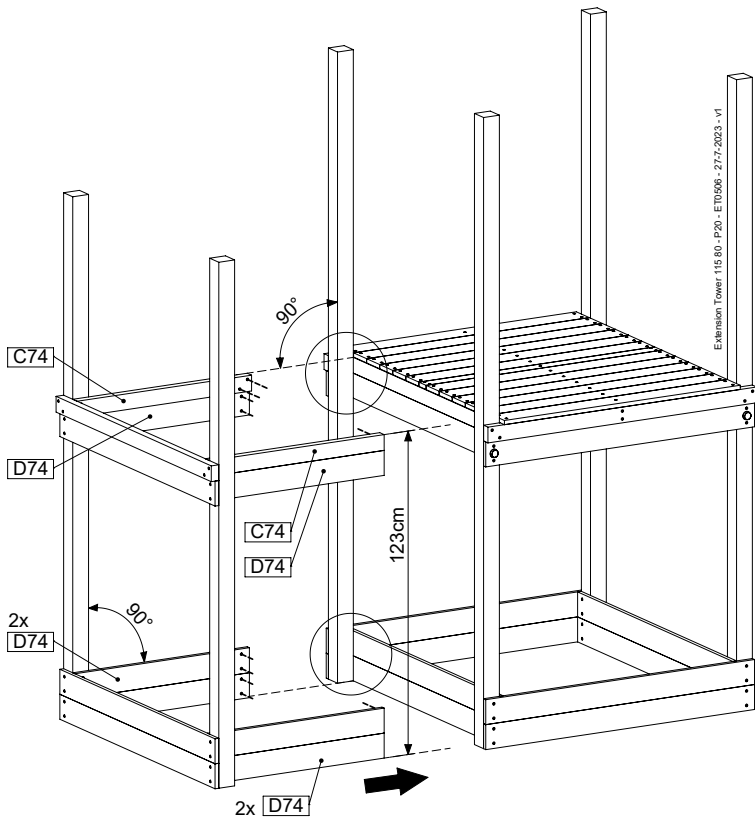
(194_300)

	PartNo	PartName	QTY.
Hardware pack	001_406	Stealth Screw 8x45	4
	001_417	Stealth Screw 8x80	2
	002_220	Gap Point Screw T25 - 5x45	81
	002_223	Gap Point Screw T25 - 5x80	16
Other	007_001	Ground-anchor	2
	022_31x	bpc-base version 3	4
	022_84x	bpc cover	4
Timber	A200	Post 70x70 L2000	2
	C74	Beam 740 mm	3
	C114	Beam 1140 mm	1
	D74	Board 740 mm	6
	D100	Board 1000 mm	9
	D114	Board 1140 mm	3

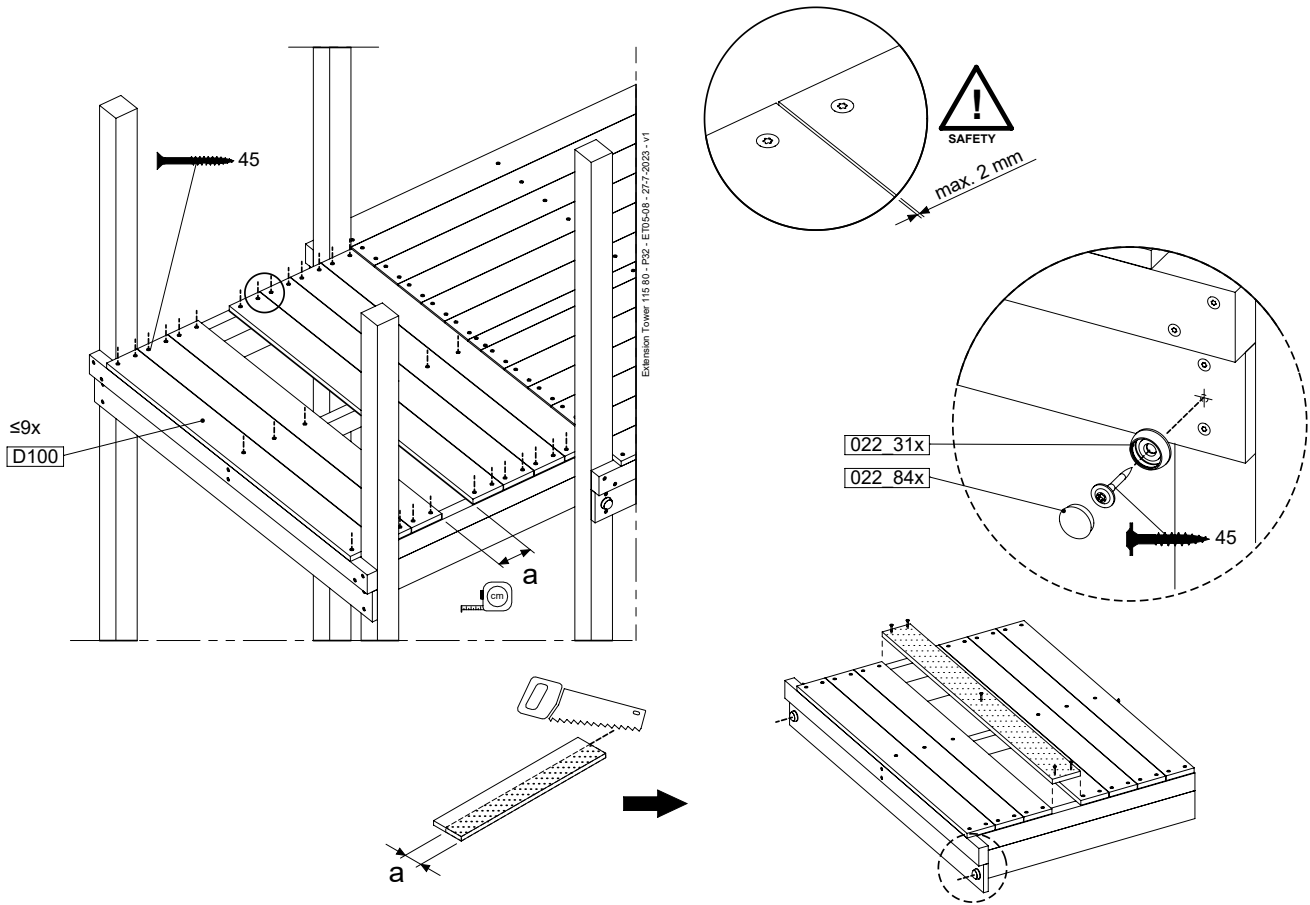
Extension Tower 115 80 - P02 - ET05 - 27.7.2023 - v1



Extension Tower 115 80 - P14 - ET05a - 27.7.2023 - v1



2.2

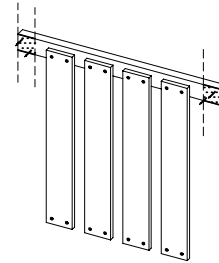


3 BL01a: Balustrade 80 U - 7x7 posts

(194_101)

	PartNo	PartName	QTY.
Hardware Pack	002_220	Gap Point Screw T25 - 5x45	16
	100_601	Gap Point Screw T25 - 5x80	4
Timber	C74	Beam 740 mm	1
	D65	Board 650 mm	4

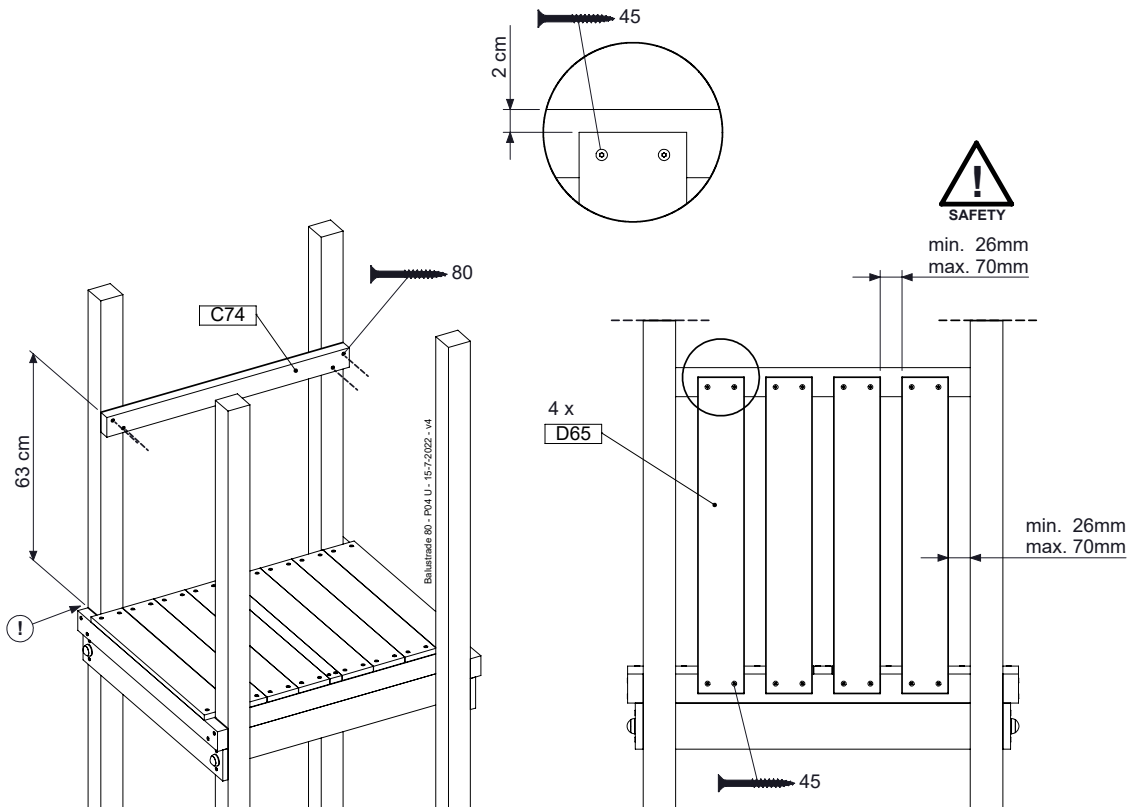
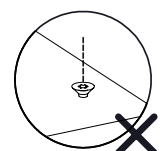
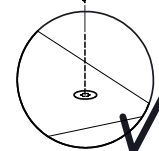
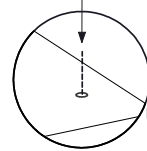
Balustrade 80 - P02 U - 15-7-2022 - v4



Ø3,5mm



SAFETY

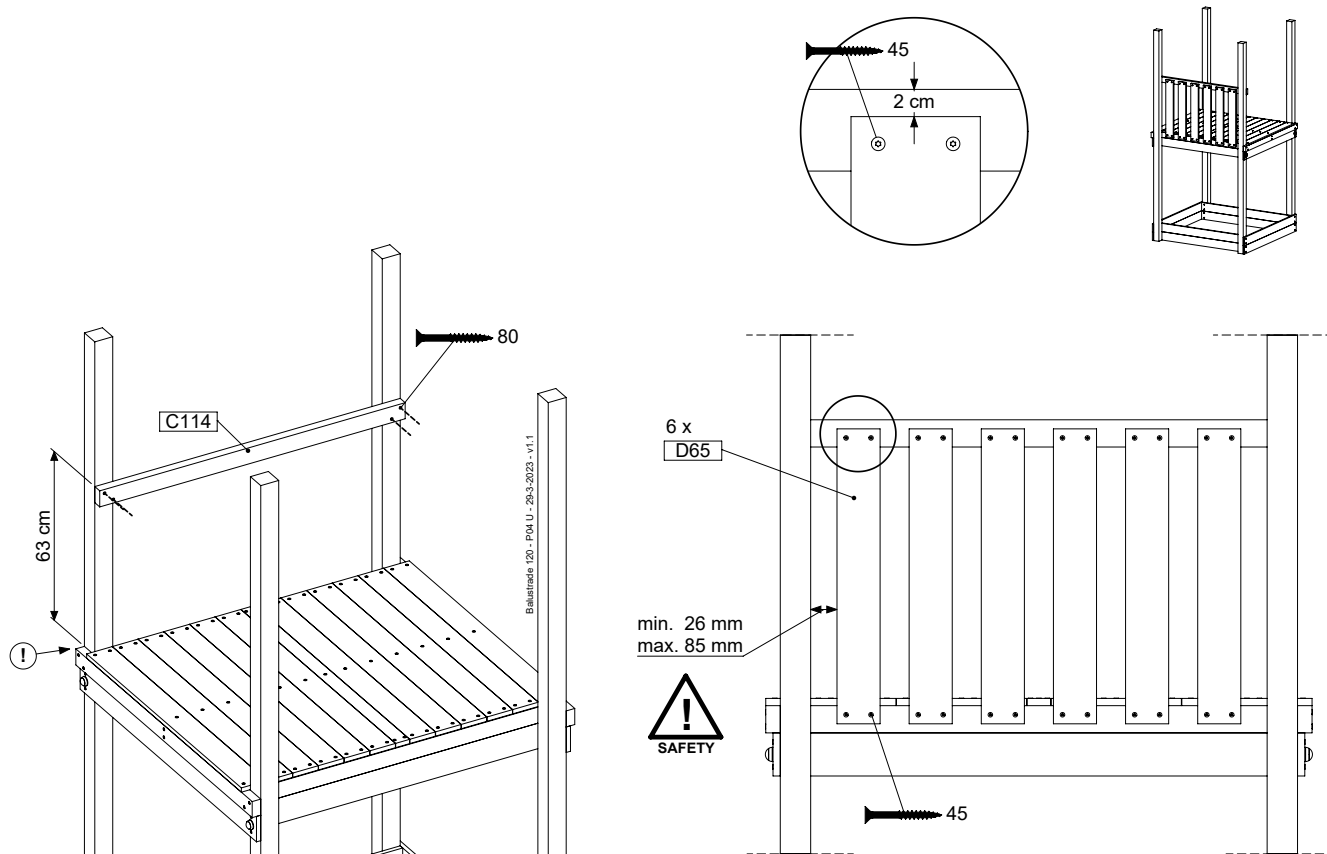
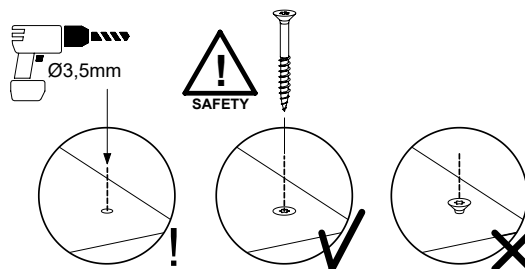
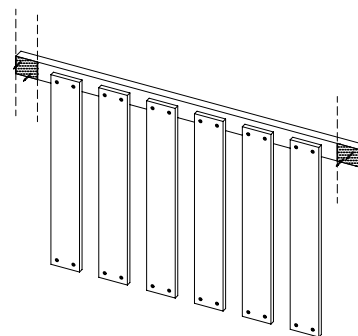


4 BL03a: Balustrade 115 U

(194_501)

	PartNo	PartName	QTY.
Hardware Pack	002_220	Gap Point Screw T25 - 5x45	24
	002_223	Gap Point Screw T25 - 5x80	4
Timber	C114	Beam 1140 mm	1
	D65	Board 650 mm	6

Balustrade 120 - P102 U - 29.3.2023 - v1.1

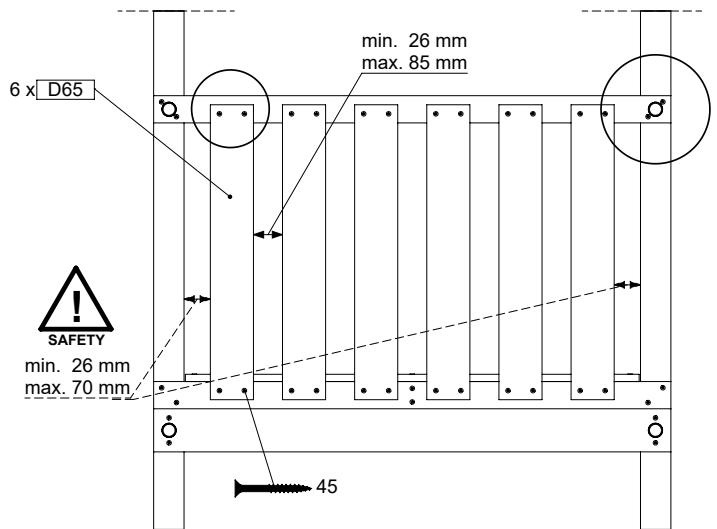
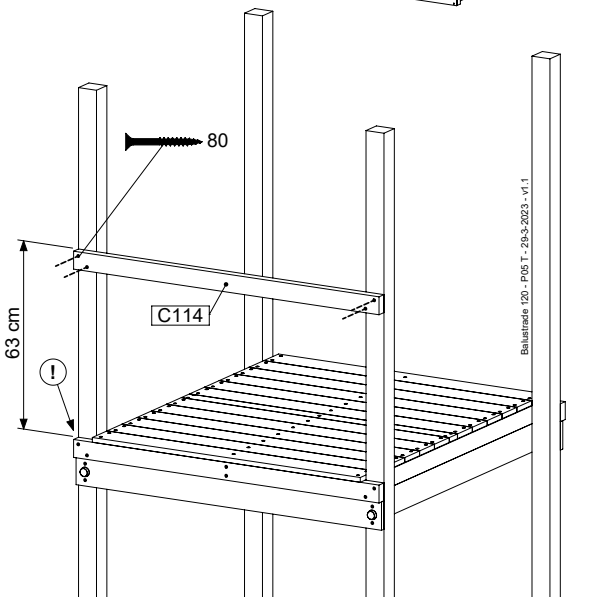
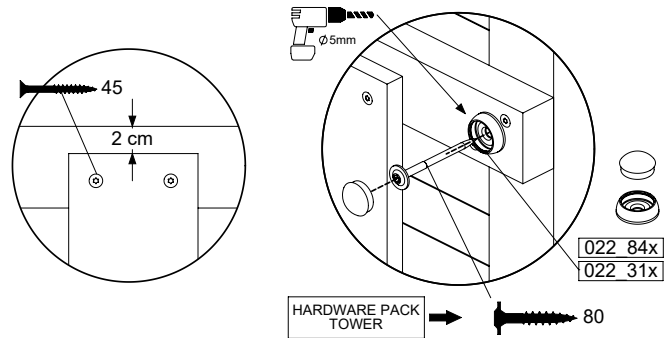
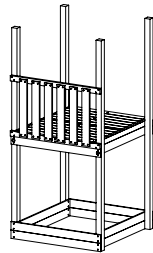
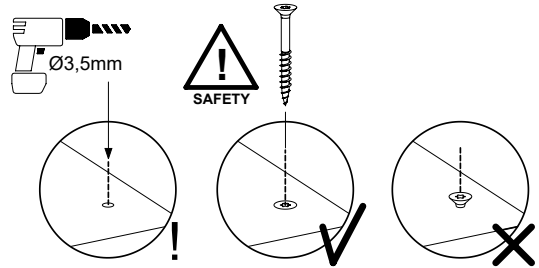
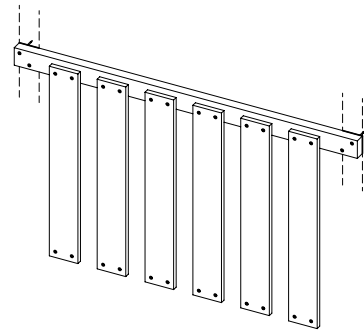


5 BL04a: Balustrade 115 T

(194_501)

	PartNo	PartName	QTY.
Hardware Pack	002_220	Gap Point Screw T25 - 5x45	24
	002_223	Gap Point Screw T25 - 5x80	4
Timber	C114	Beam 1140 mm	1
	D65	Board 650 mm	6

Balustrade 120 - P03 T - 29-3-2023 - v1.1

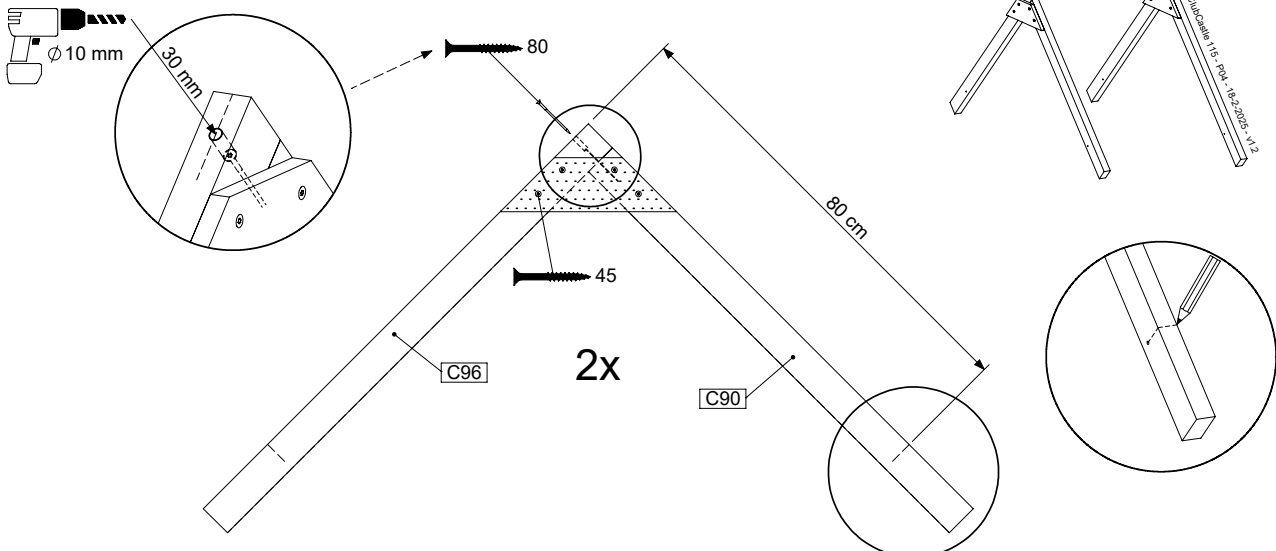
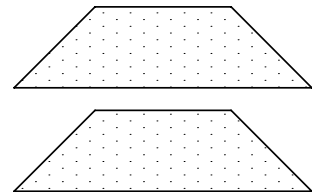
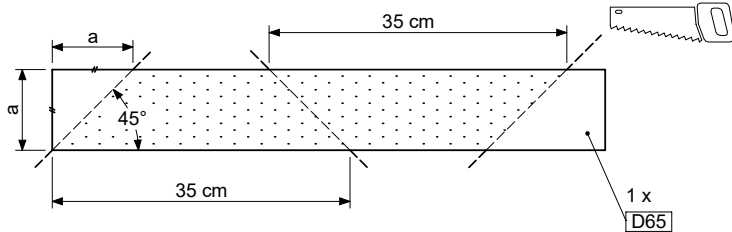
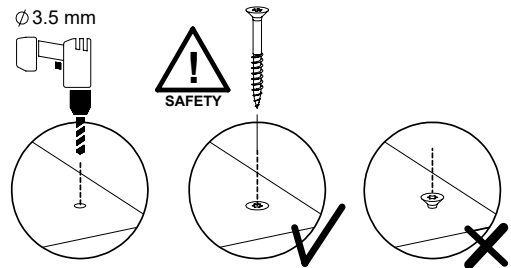
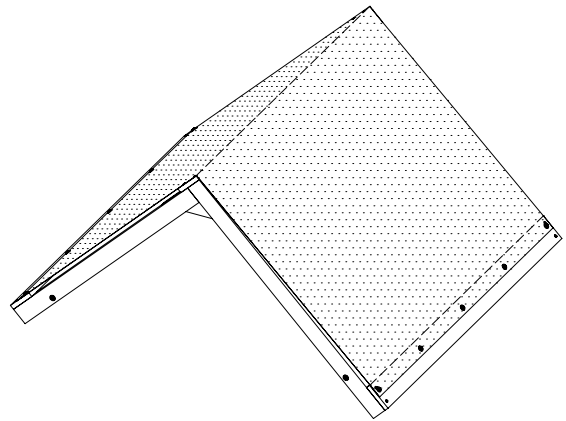


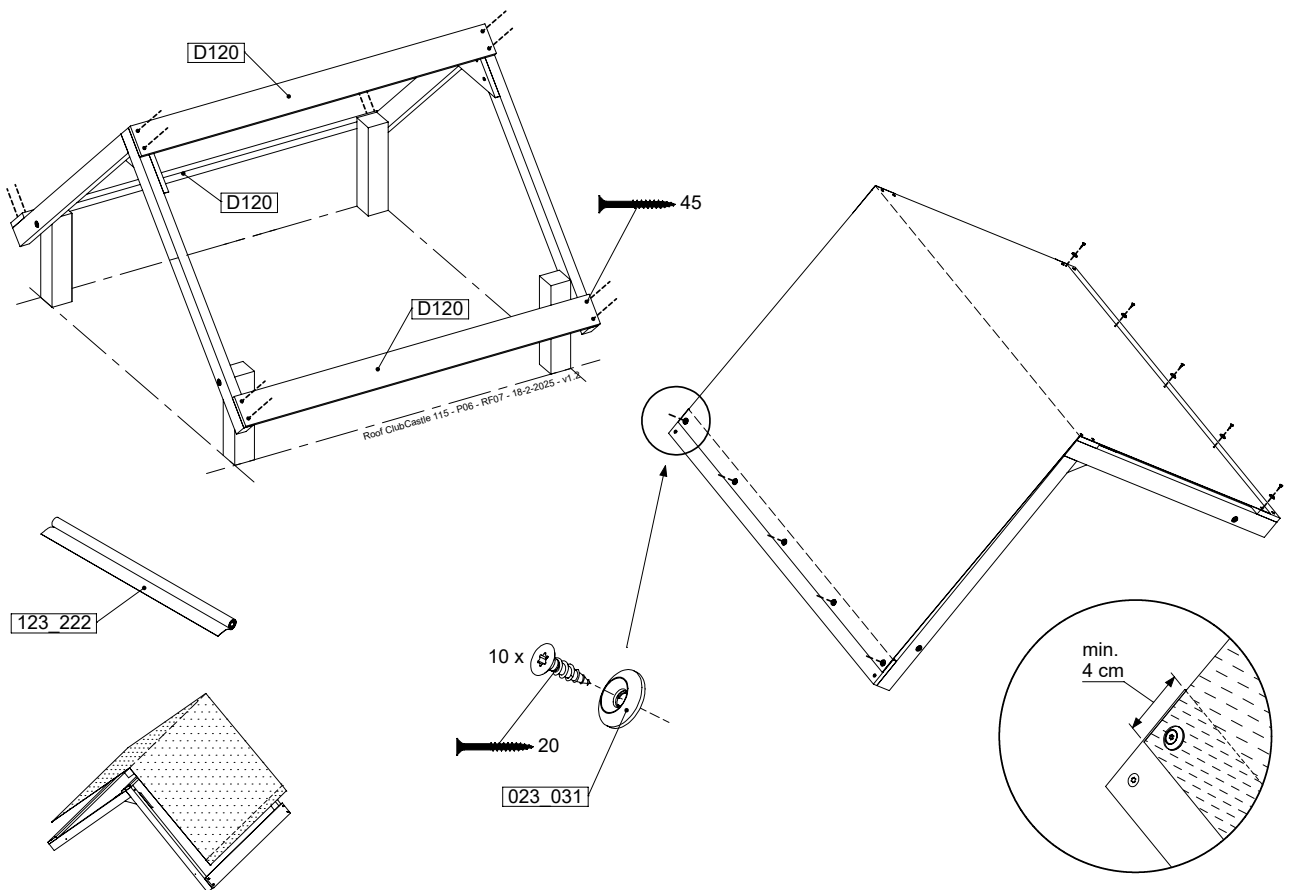
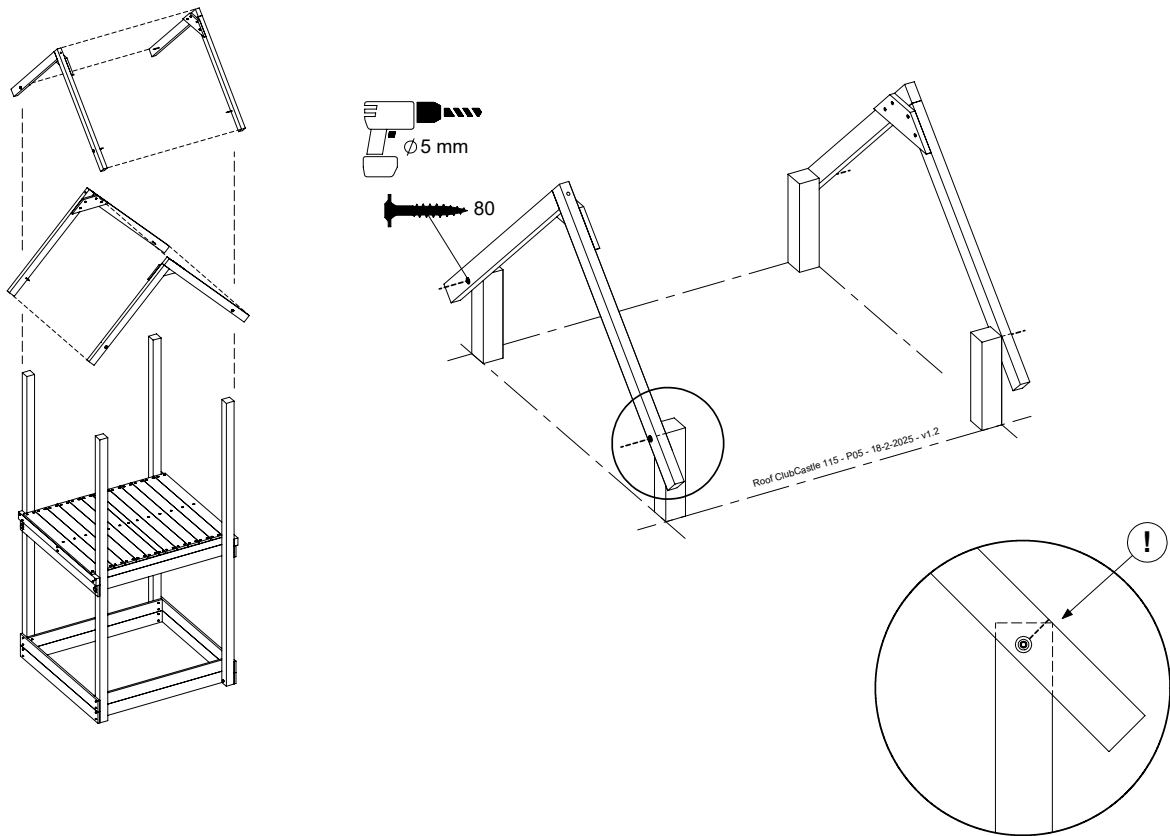
6 RF07a: Roof Canvas Gable 115

Assembly Pack: 194_312 / 194_805

	PartNo	PartName	QTY.
Hardware + Parts	001_417	Stealth Screw 8x80	4
	002_220	Gap Point Screw T25 - 5x45	20
	002_223	Gap Point Screw T25 - 5x80	2
	002_308	Gap Point Screw T25 - 5x20	10
	023_031	Finishing Washer GPS 5.0	10
	123_222	Sheet Canvas 1200x1850	1
Timber	C90	Beam 900 mm	2
	C96	Beam 960 mm	2
	D65	Board 650 mm	1
	D120	Board 1200 mm	3

Roof Canvas Gable 115 - P02 - RF07 - 18-2-2025 - v1.2



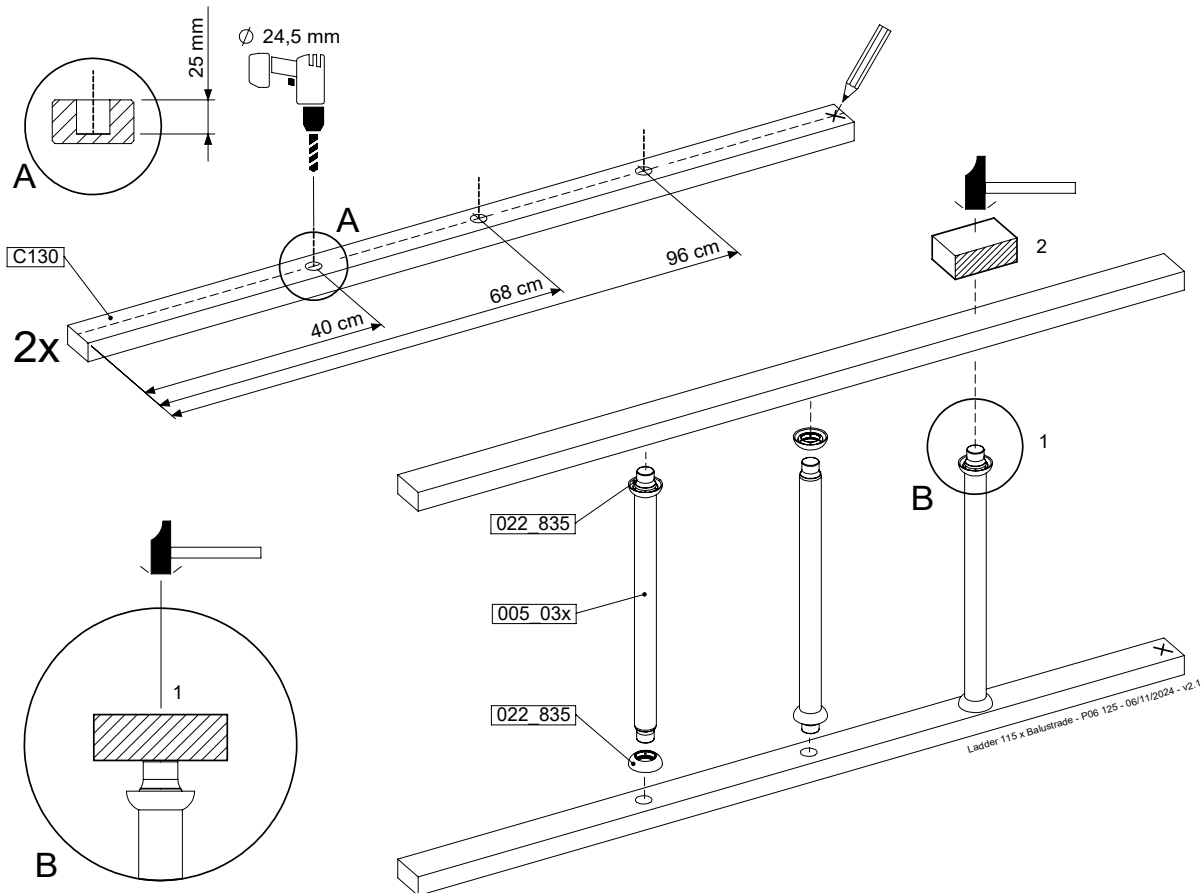
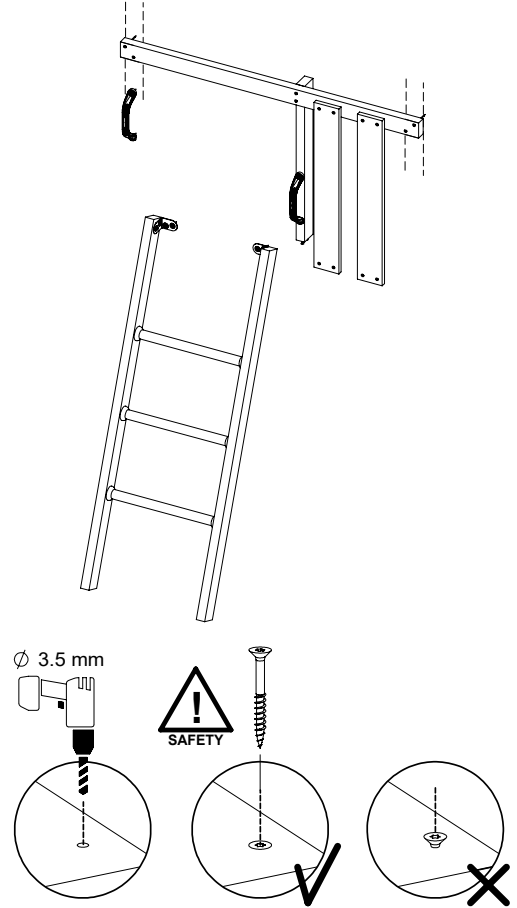


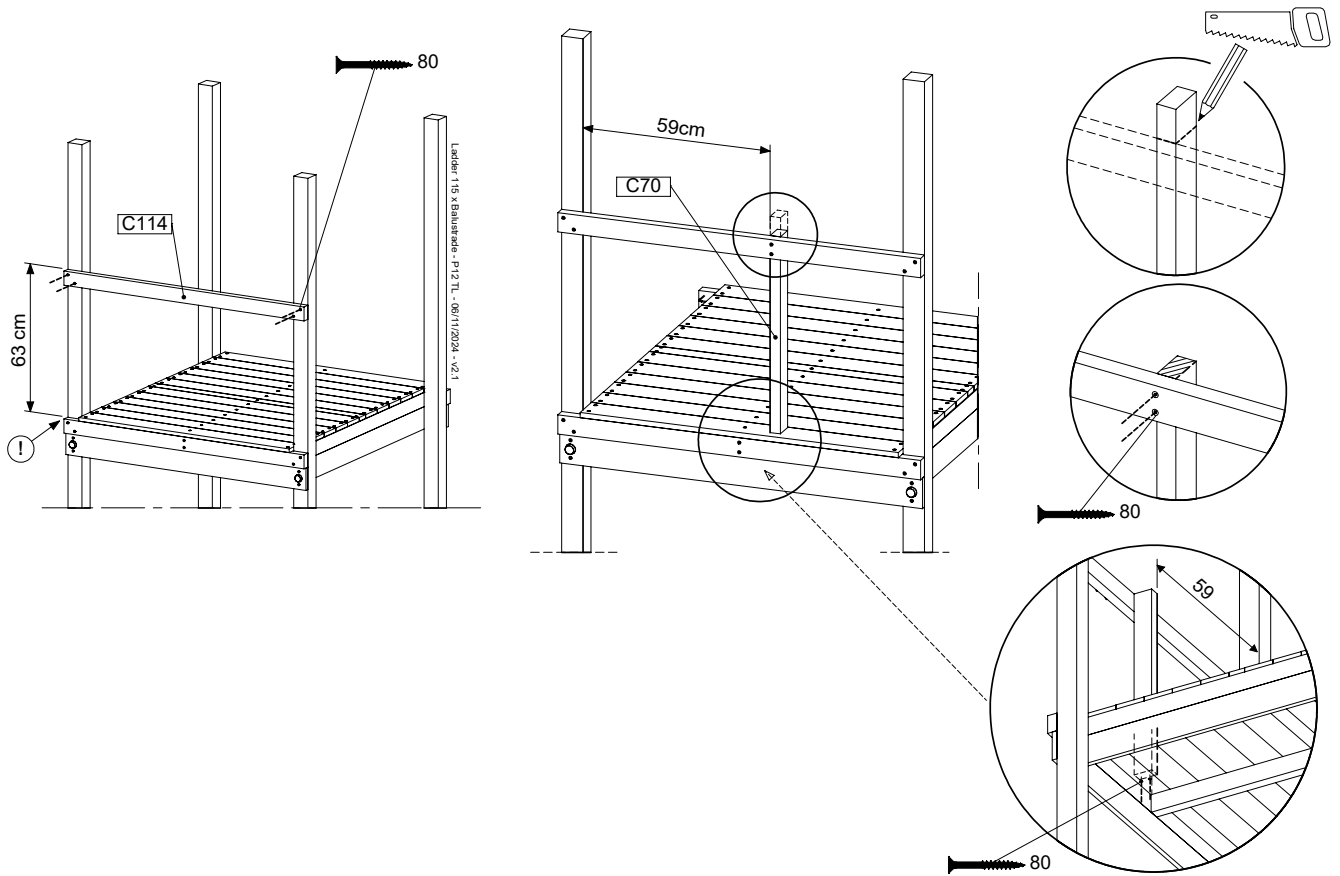
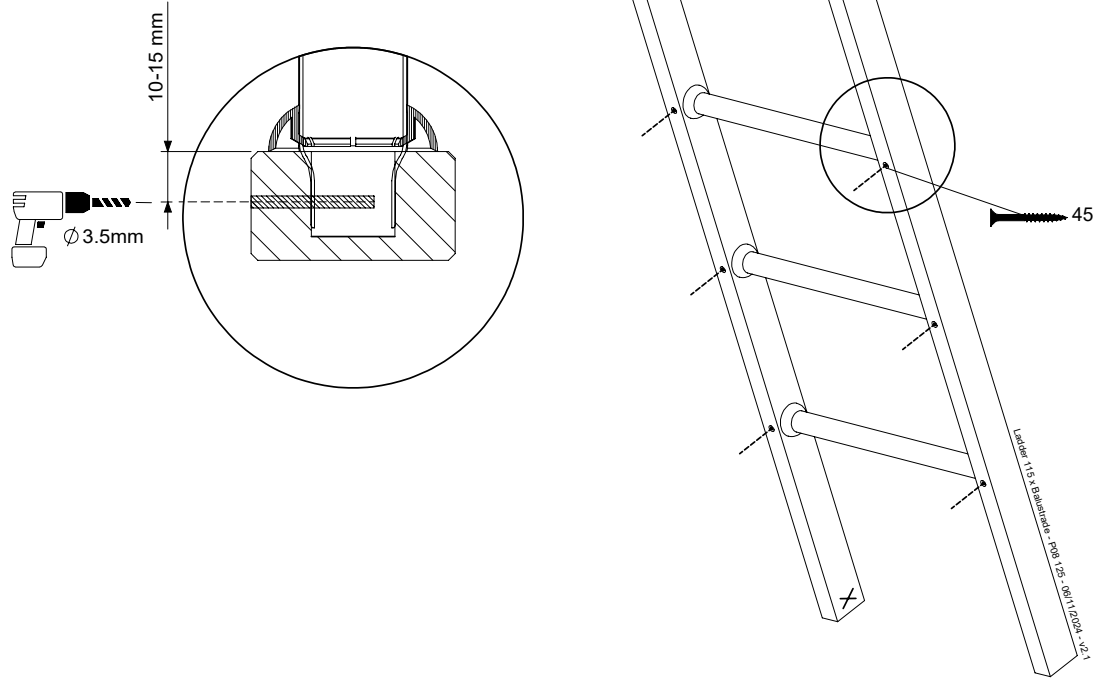
7 LA13a: Ladder 115 125 T Left

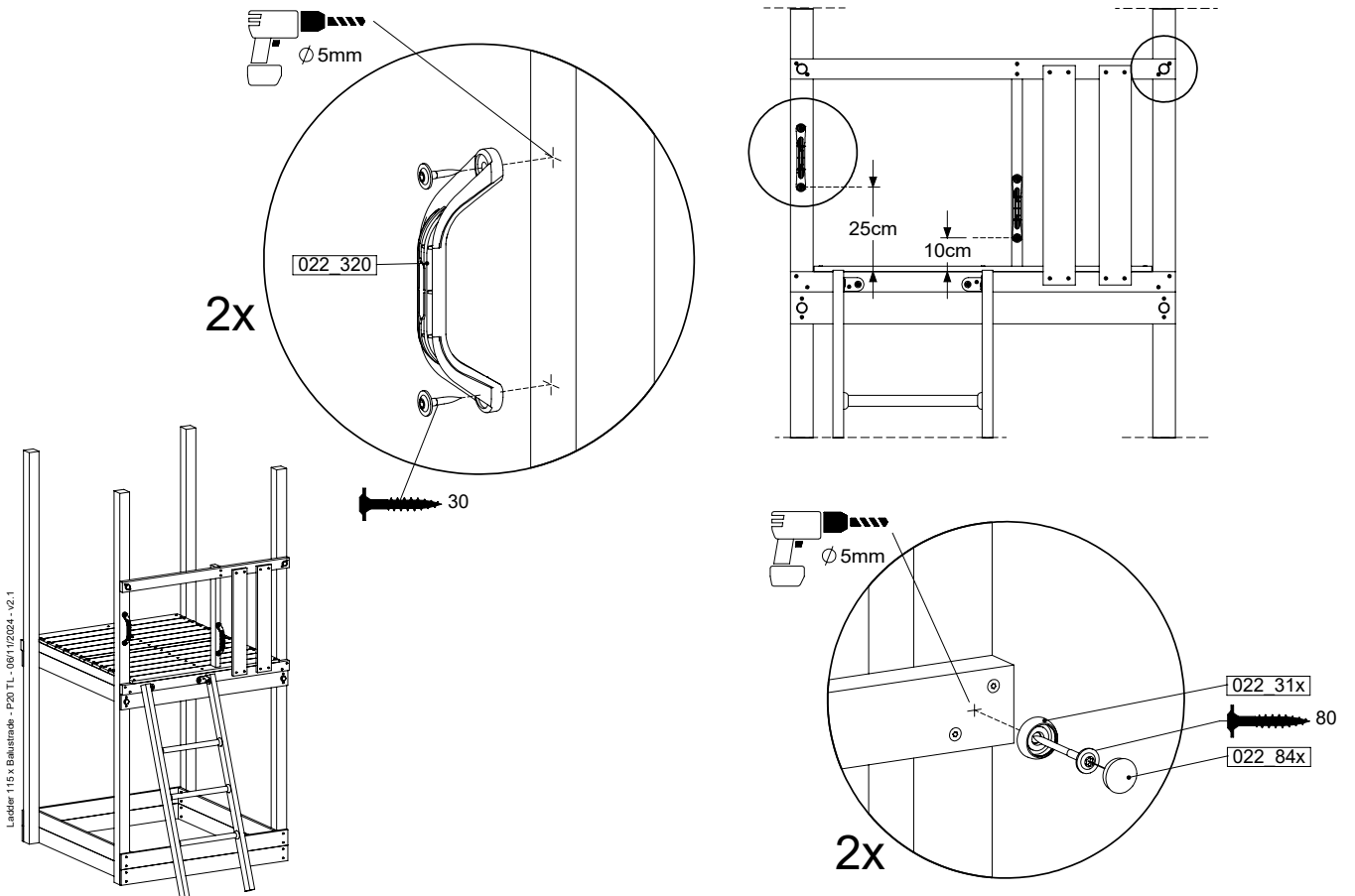
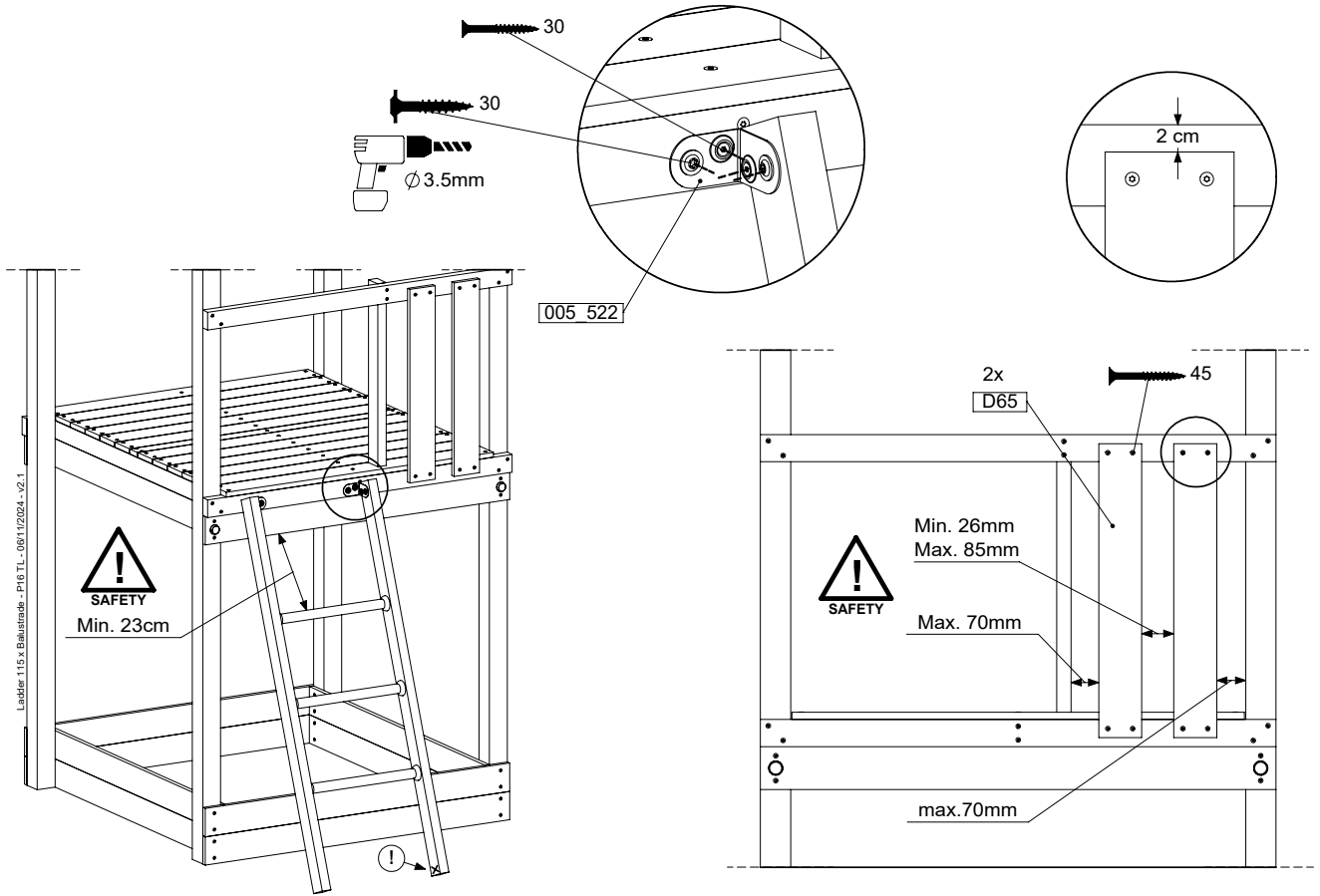
Assembly Packs: 194_101 + 194_003 / 194_103

	PartNo	PartName	QTY.
Hardware + Parts	001_404	Stealth Screw 8x30	4
	002_219	Gap Point Screw T25 - 5x30	4
	002_220	Gap Point Screw T25 - 5x45	14
	002_223	Gap Point Screw T25 - 5x80	8
	005_03x	Ladder Rung Y/B/G/R	3
	005_522	Connection Bracket Mini Market	2
	022_835	Rung Cap	6
	120_102	Handgrip set (complete 2x)	1
Timber	C114	Beam 1140 mm	1
	C130	Beam 1300 mm	2
	C70	Beam 700 mm	1
	D65	Board 650 mm	2

Ladder 115 x Balustrade - P06 TL 125 - 06/11/2024 - v2.1





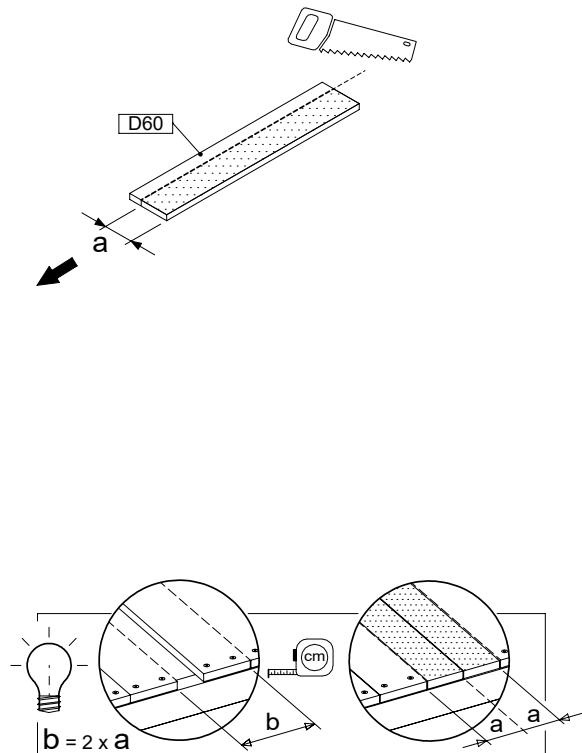
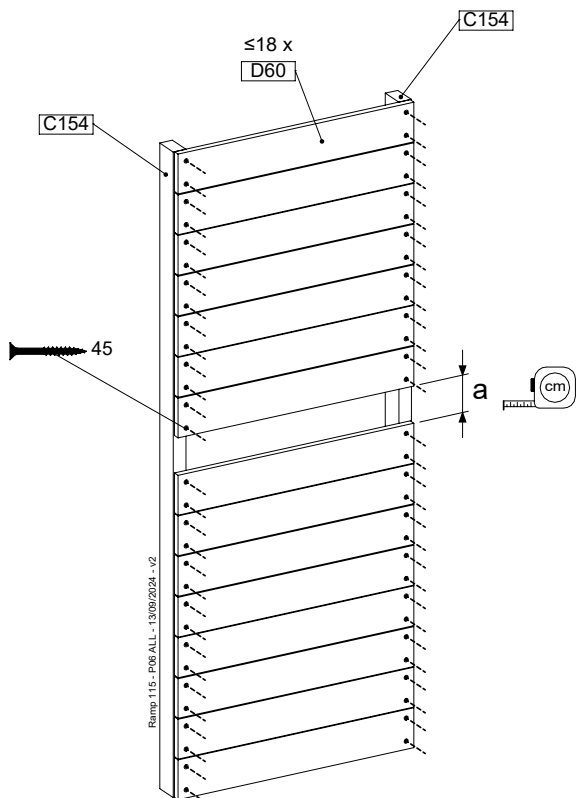
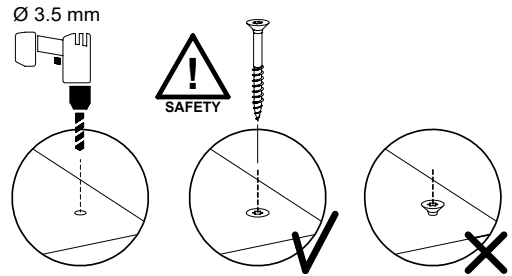
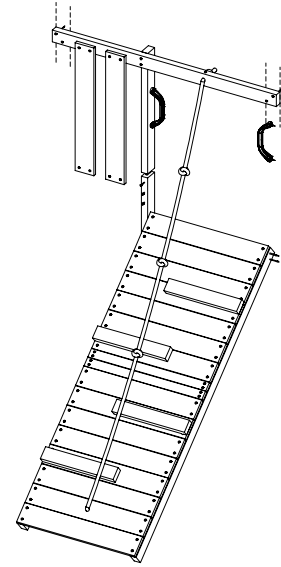


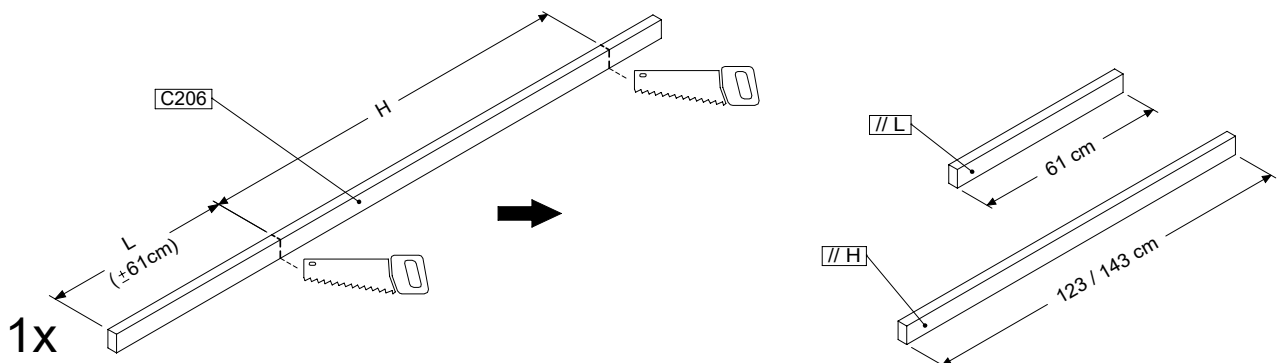
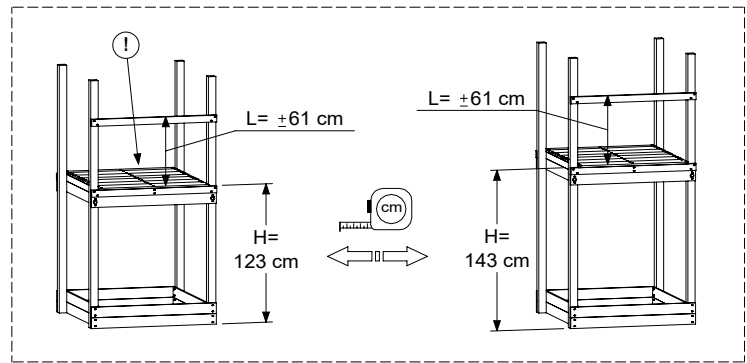
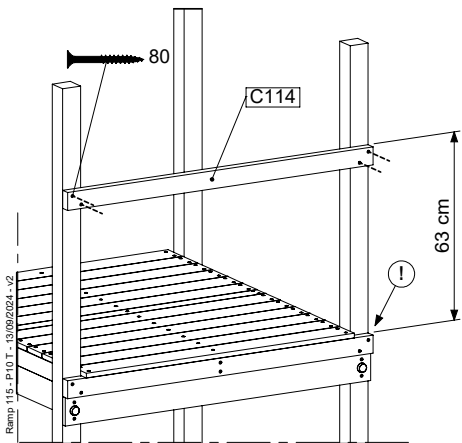
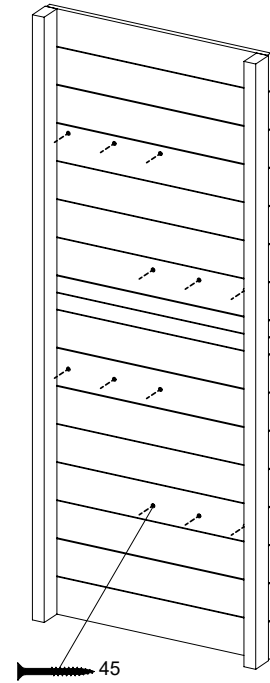
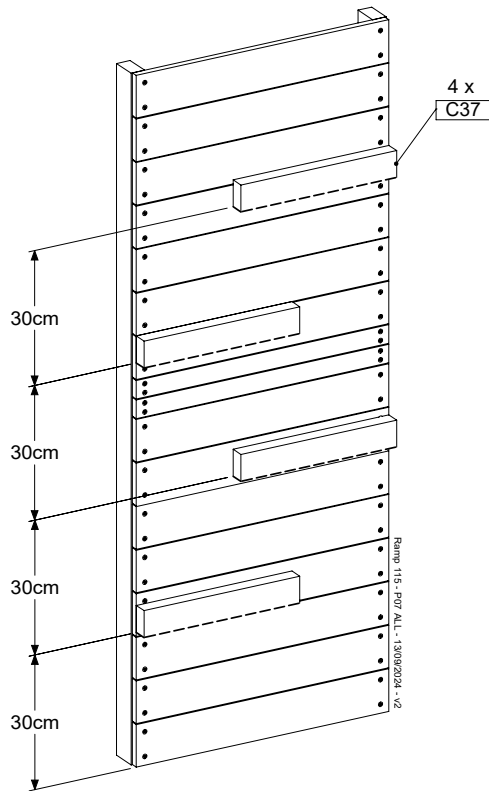
8 RA08b: Ramp 115 TR

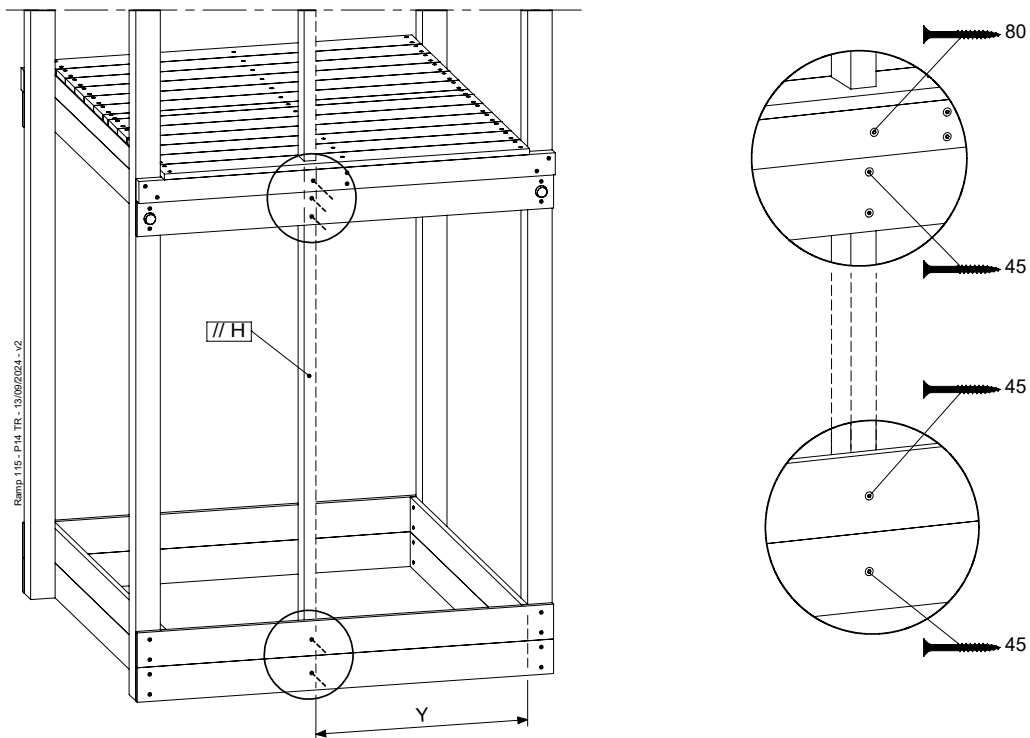
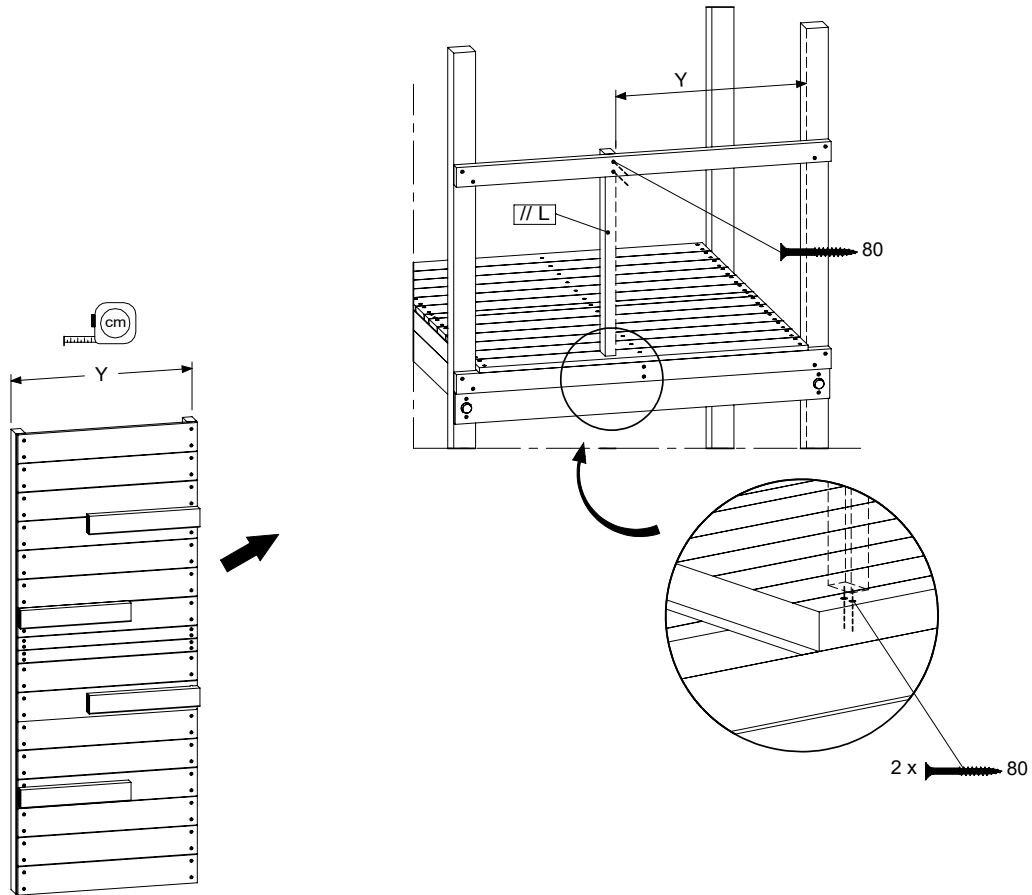
Assembly Pack: 194_008

	PartNo	PartName	QTY.
Hardware + Parts	001_404	Stealth Screw 8x30	2
	001_411	Stealth Screw 8x60	1
	001_417	Stealth Screw 8x80	2
	002_220	Gap Point Screw T25 - 5x45	97
	002_223	Gap Point Screw T25 - 5x80	10
	005_514	Ladder Bracket	1
	020_317	Rope Polyester 16mm Green 3.4m	1
	120_102	Handgrip set (2x Complete)	1
Timber	C37	Beam 370 mm	4
	C114	Beam 1140 mm	1
	C154	Beam 1540 mm	2
	C206	Beam 2060 mm	1
	D60	Board 600 mm	18
	D65	Board 650 mm	2

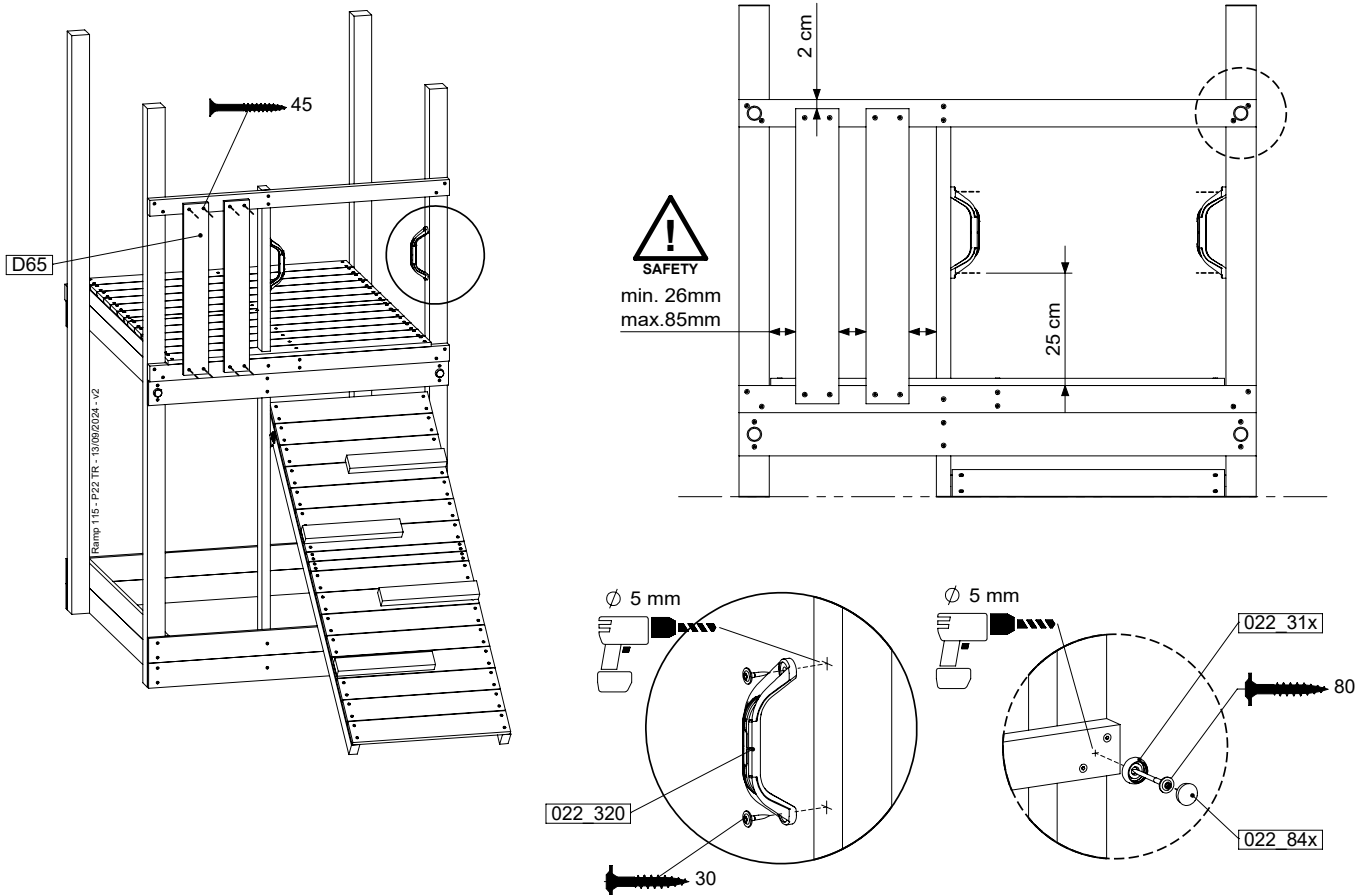
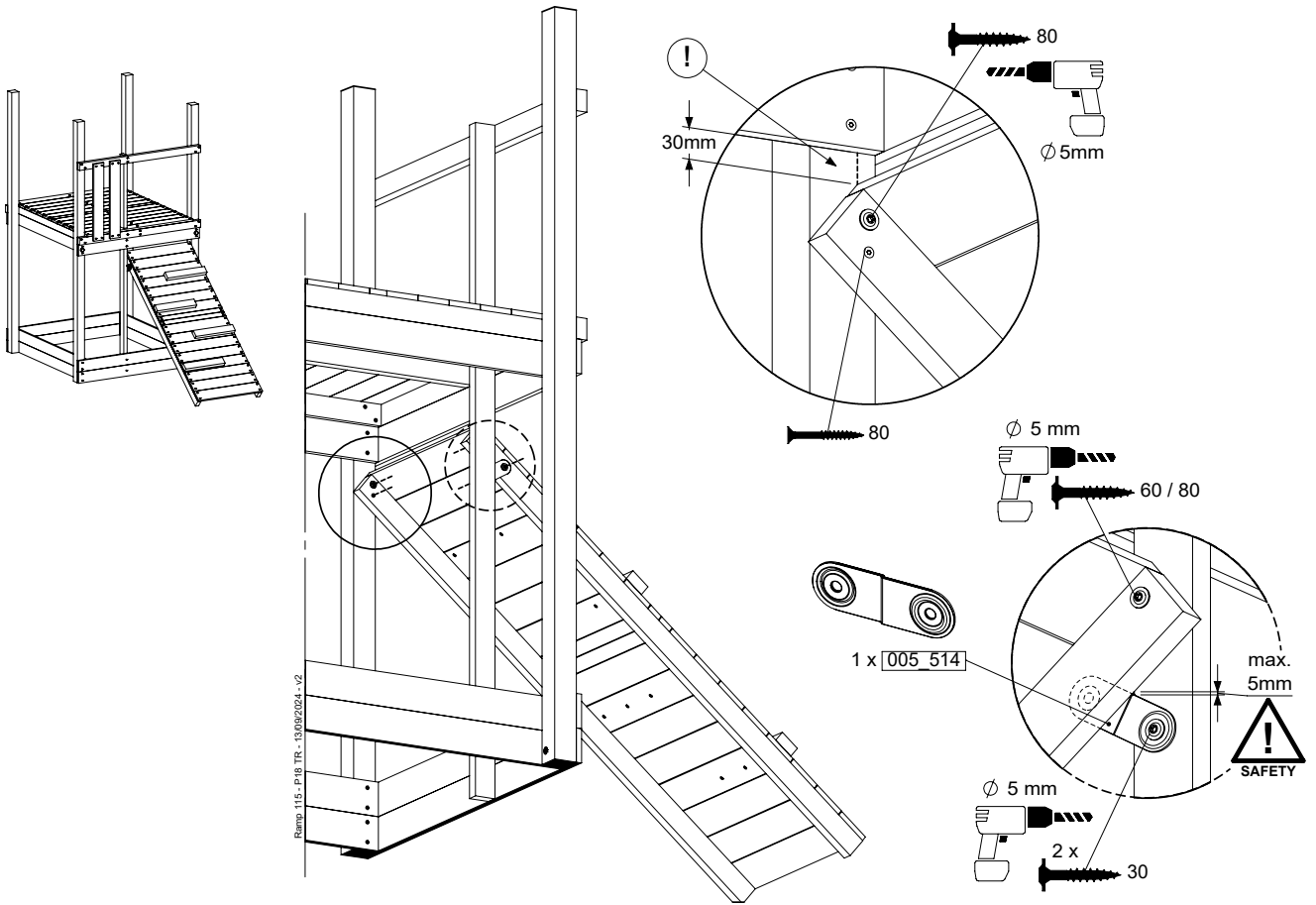
Ramp 115 - P06 TR - 13/09/2024 - v2

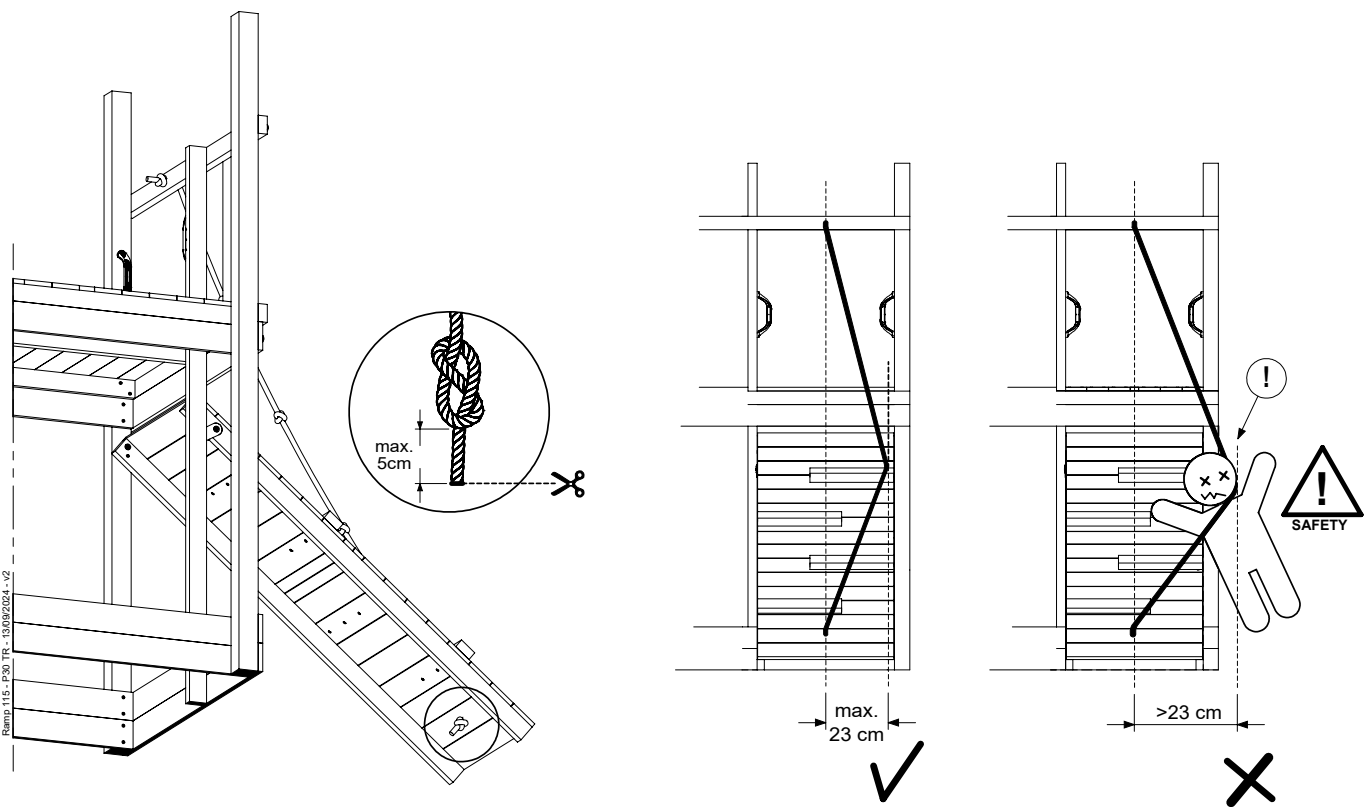
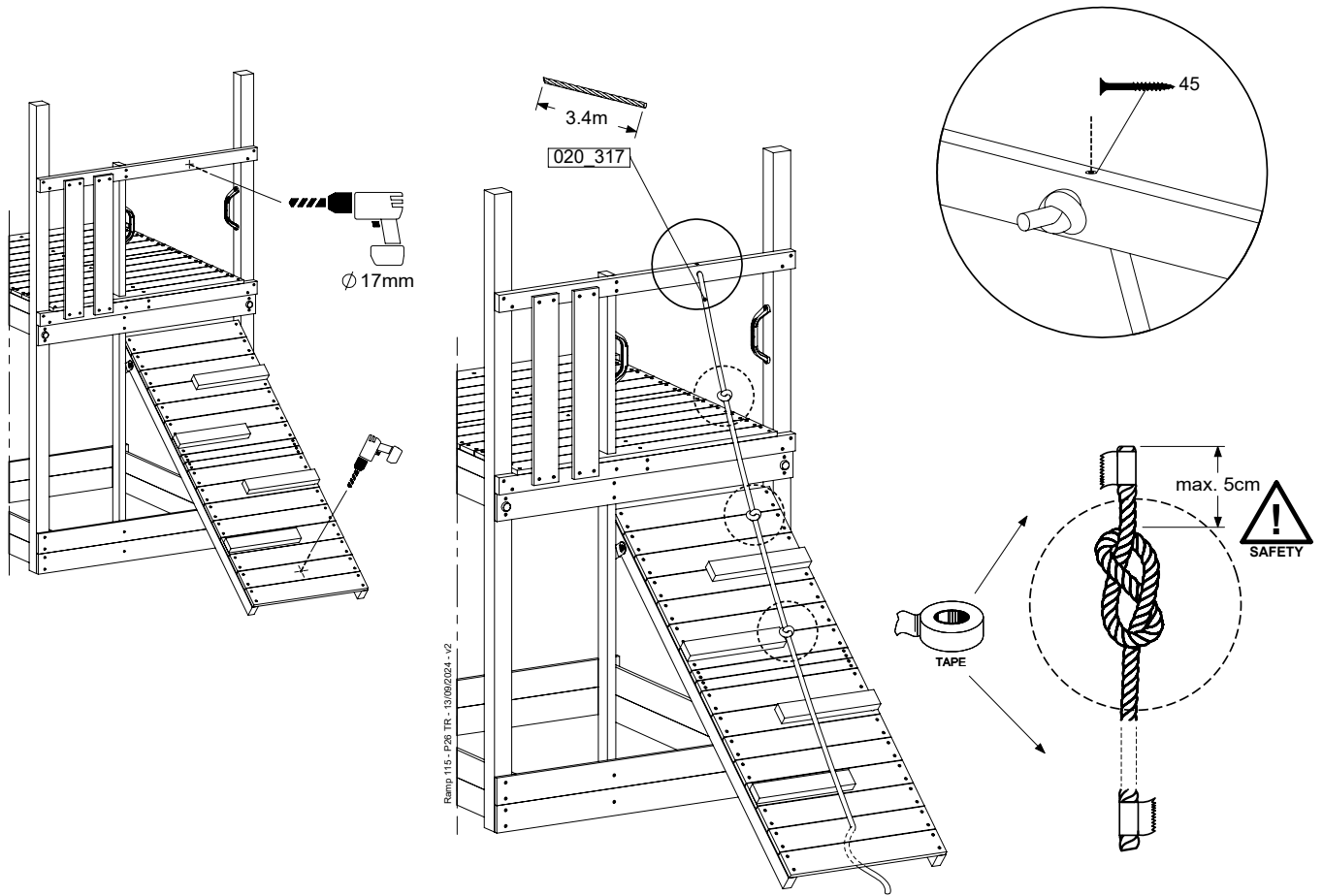






Ramp 115 - P14 ITR - 13/09/2024 - v2



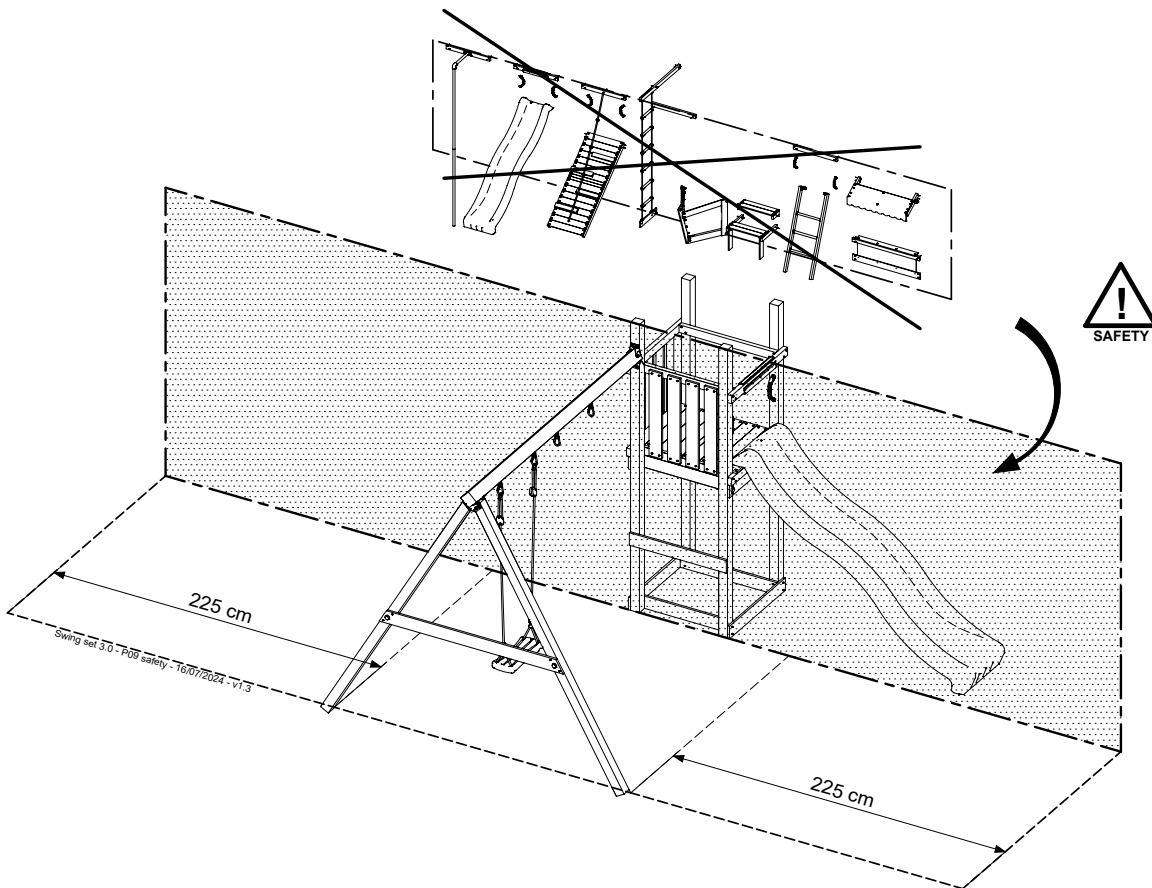
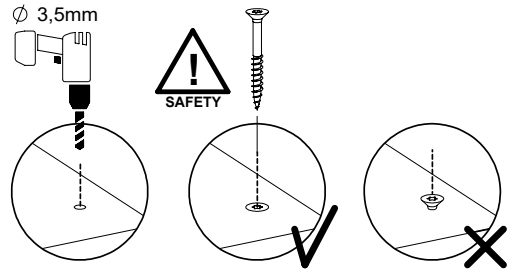
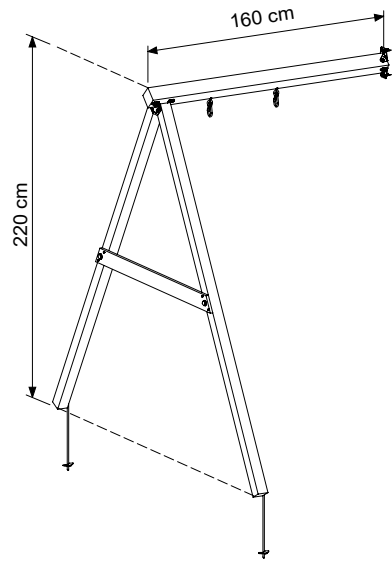


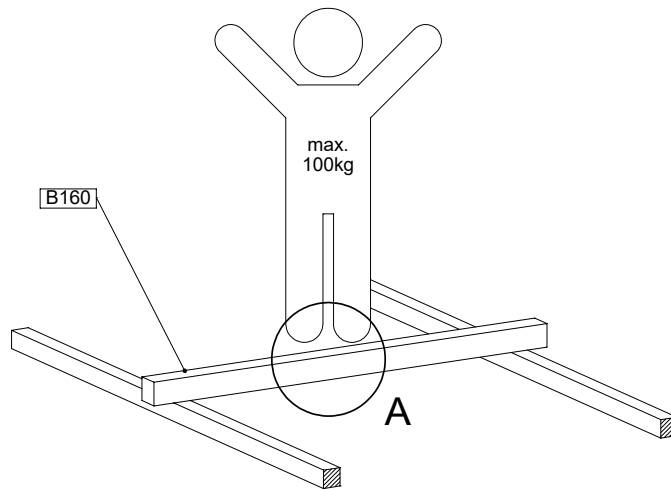
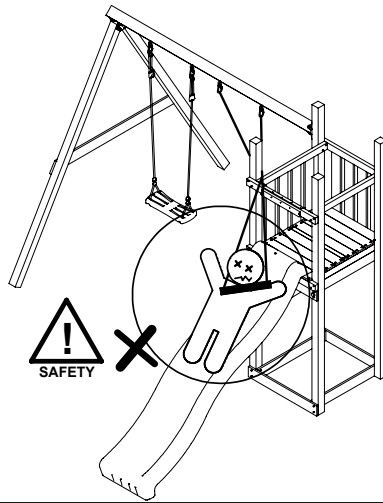
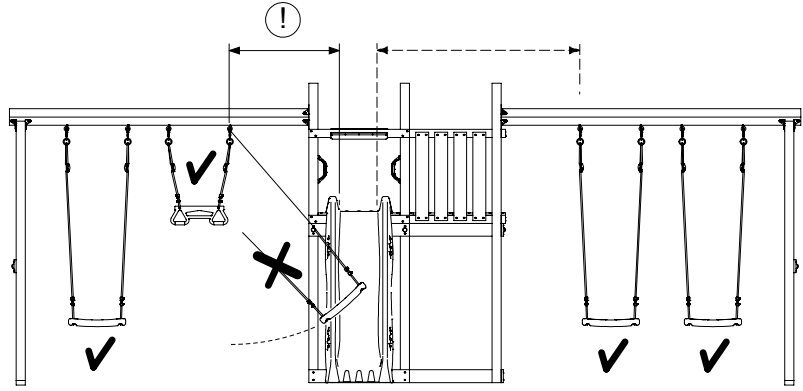
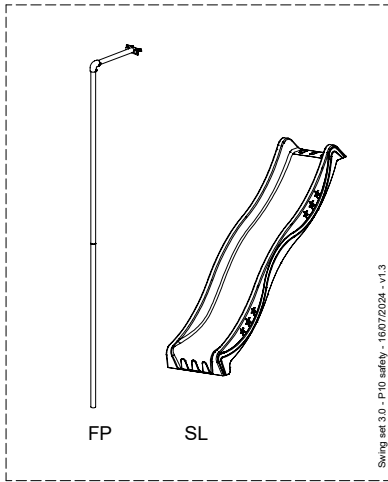
9 SW10a: 1- Swing Module 220 - 3.0

Assembly Kit: 457_103

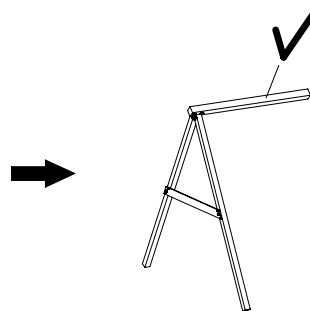
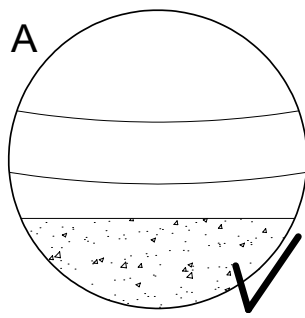
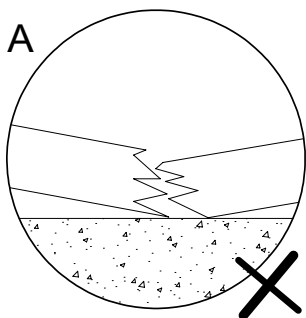
	PartNo	PartName	QTY.
Hardware + Parts	001_404	Stealth Screw 8x30	4
	001_406	Stealth Screw 8x45	22
	001_411	Stealth Screw 8x60	2
	001_417	Stealth Screw 8x80	2
	002_220	Gap Point Screw T25 - 5x45	8
	002_223	Gap Point Screw T25 - 5x80	2
	022_31x	bpc-base version 3	2
	022_84x	bpc cover	2
	023_042	Nylon washer 9x19x1.5	20
	005_096	A-Frame V-Connector	2
	005_097	Swing V-Connector	2
	007_001	Ground-anchor	2
	101_003	Swing hook with Carabiner	2
Timber	A240	Post ca.70x70 L2400	2
	B160	Post ca.90x90 L1600	1
	D141	Board 1410 mm	2

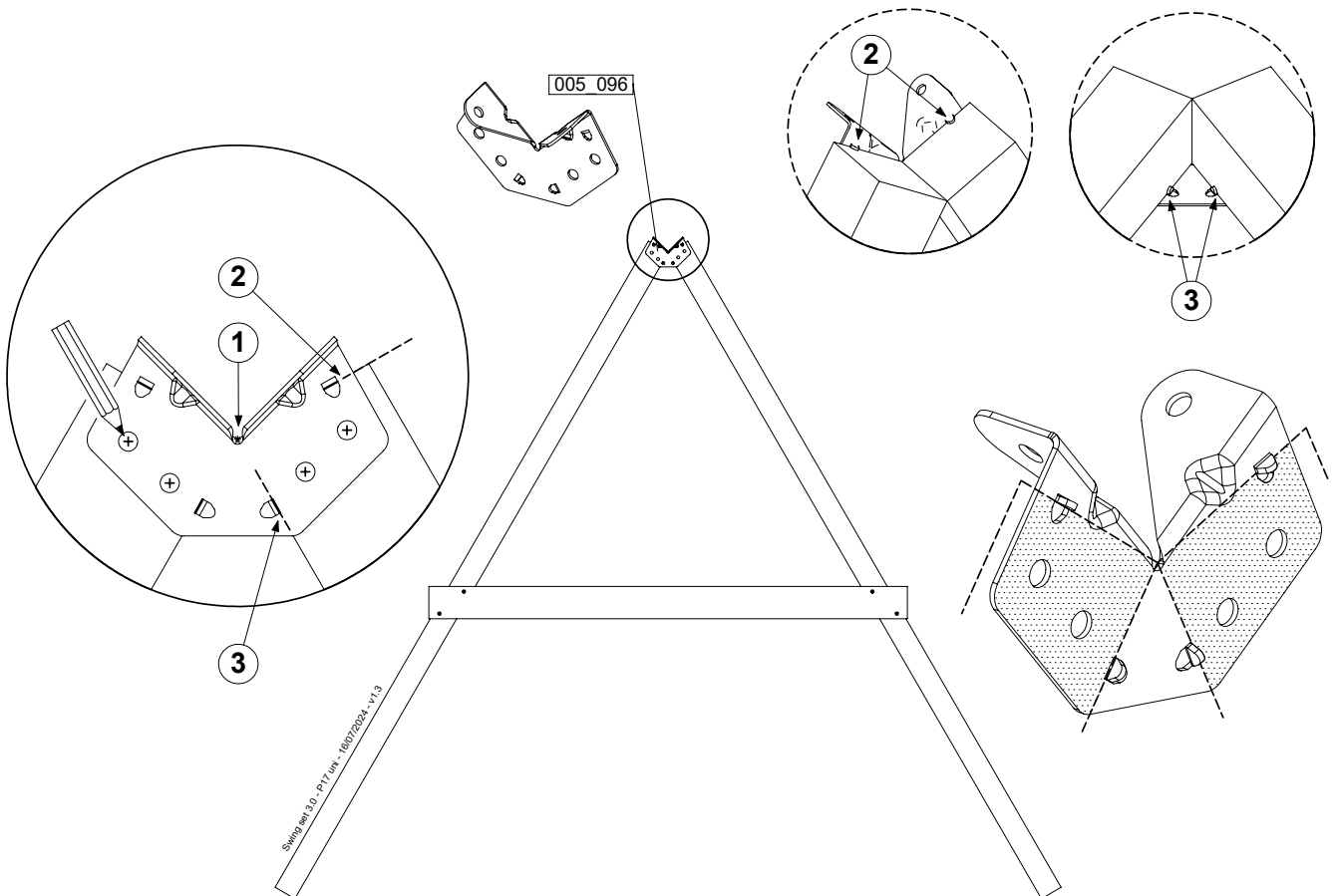
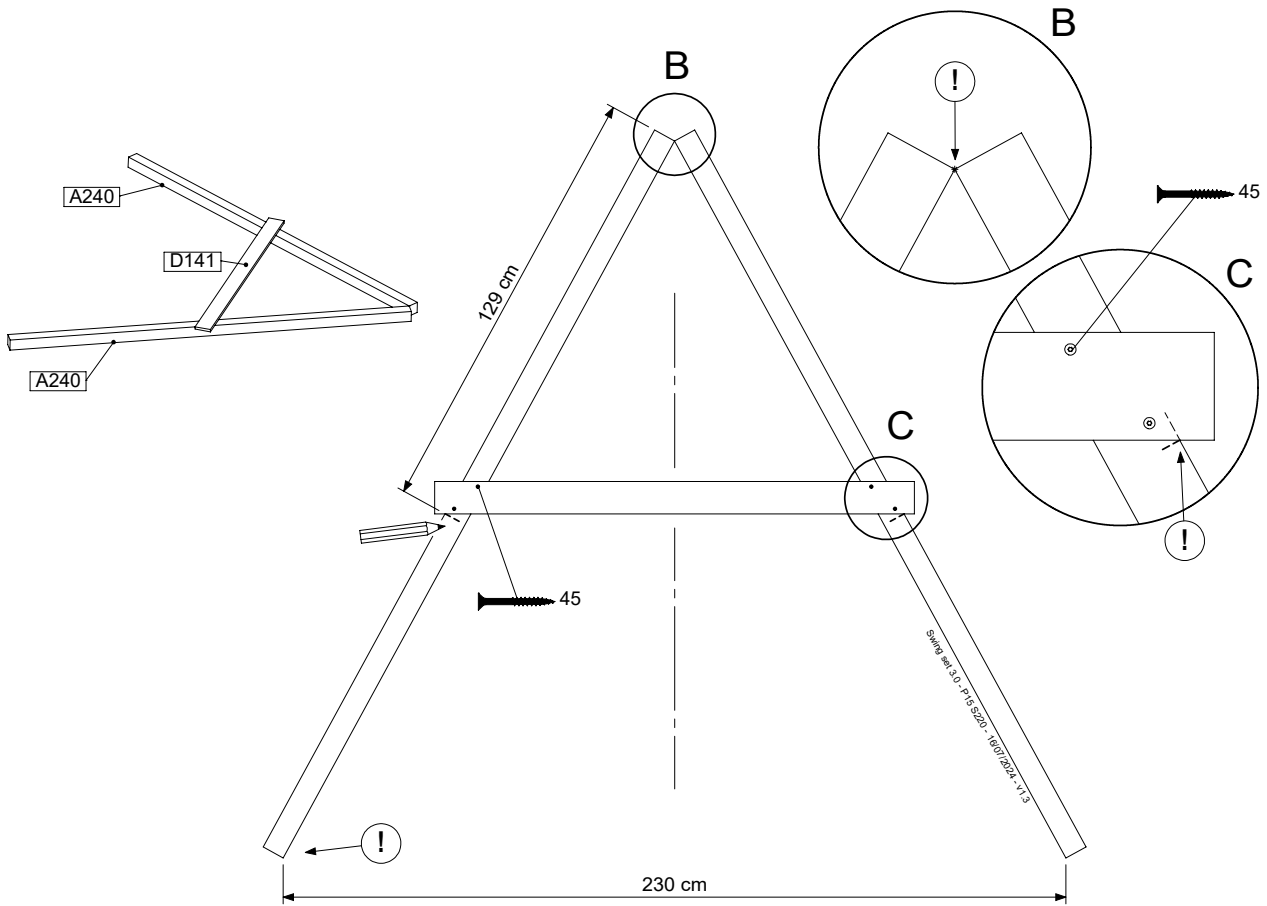
Swing set 3.0 - P05 16220 - 16/07/2024 - v1.3

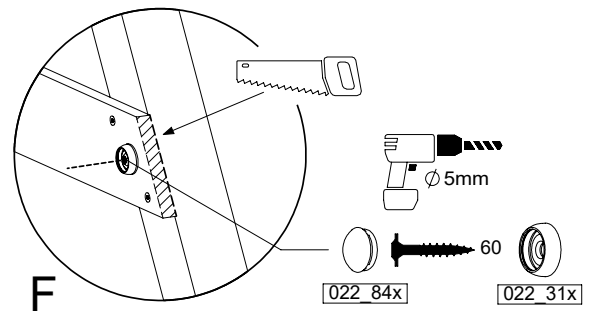
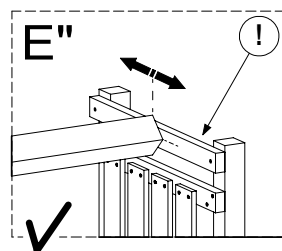
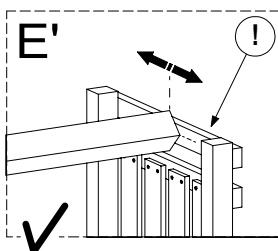
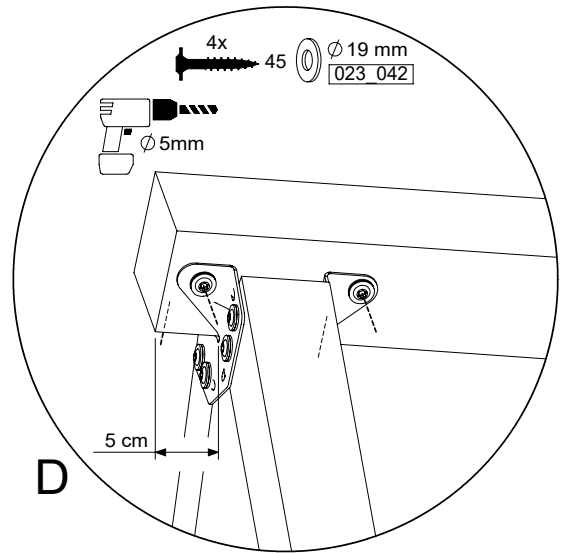
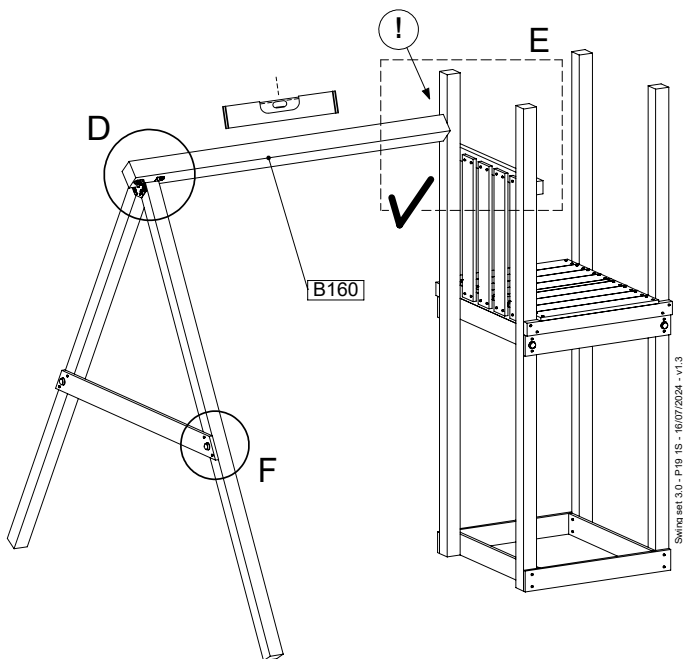
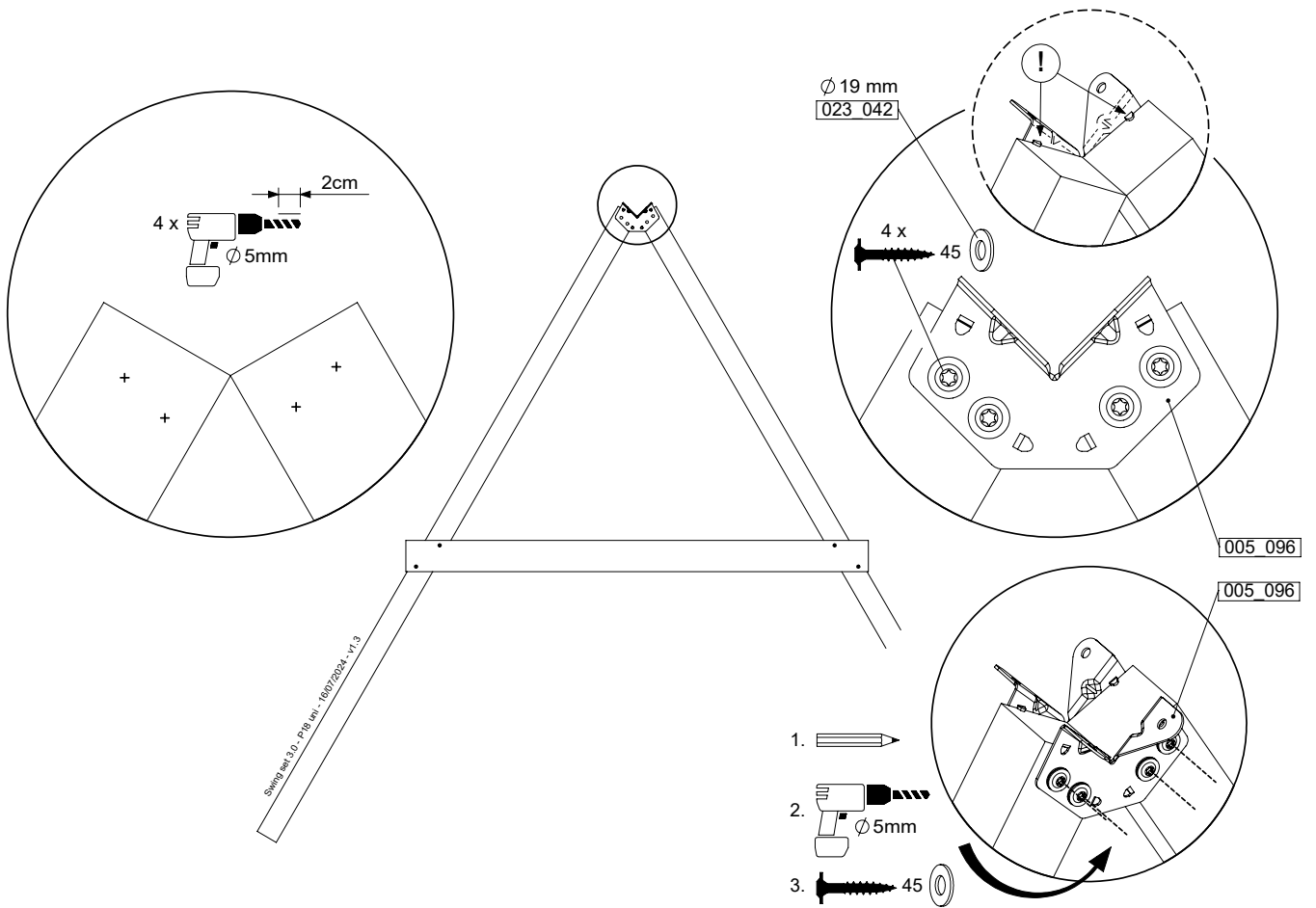


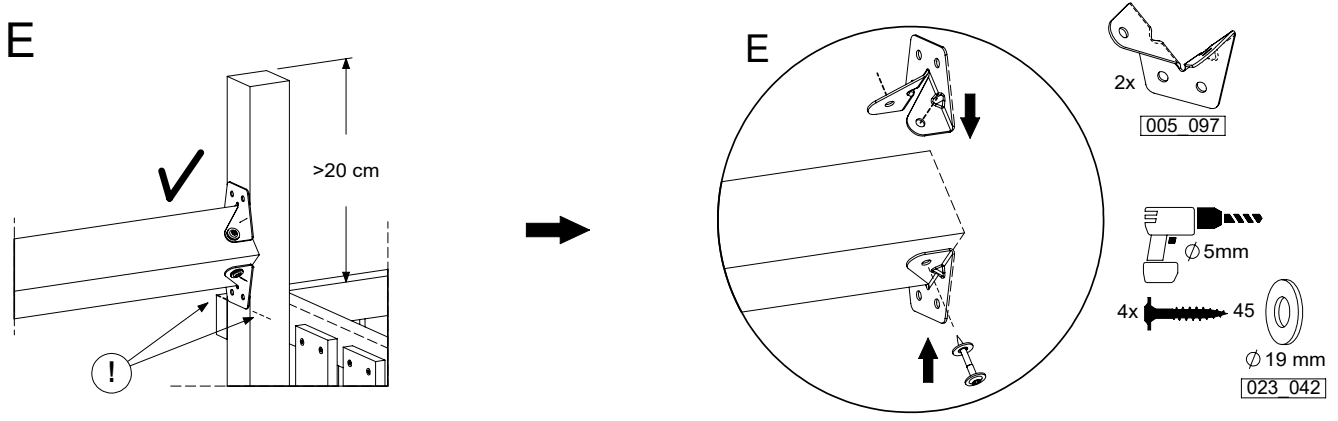


Swing set 3.0 - P11 IS - 18/07/2024 - v1.3

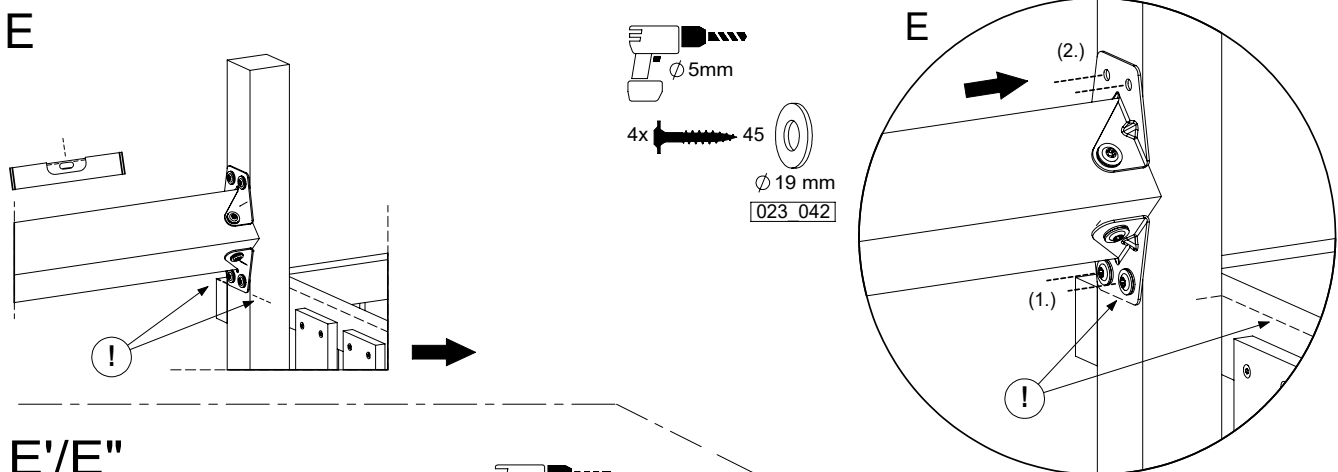
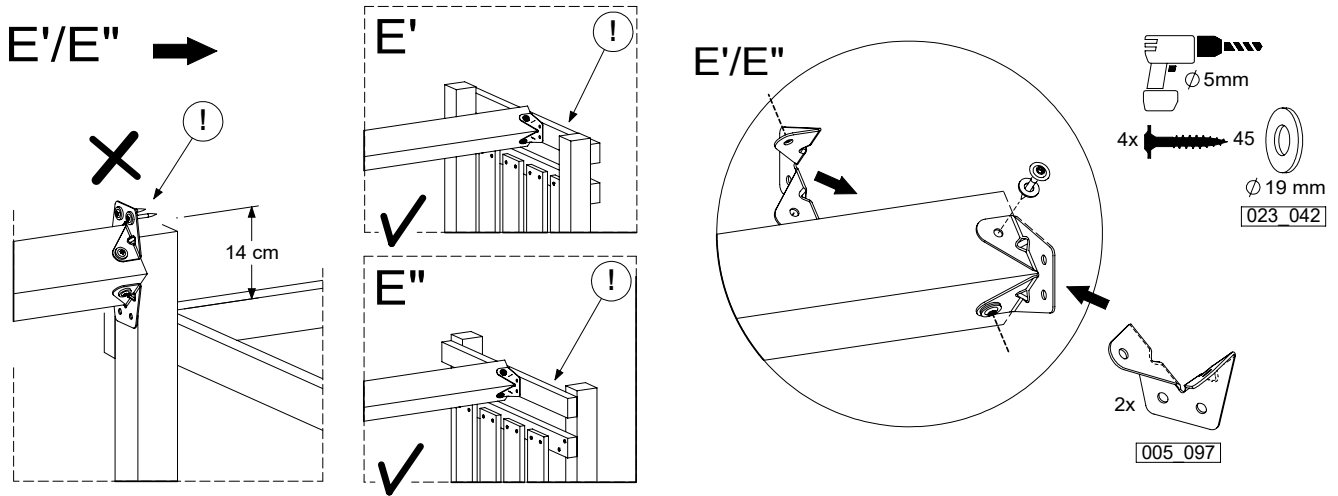




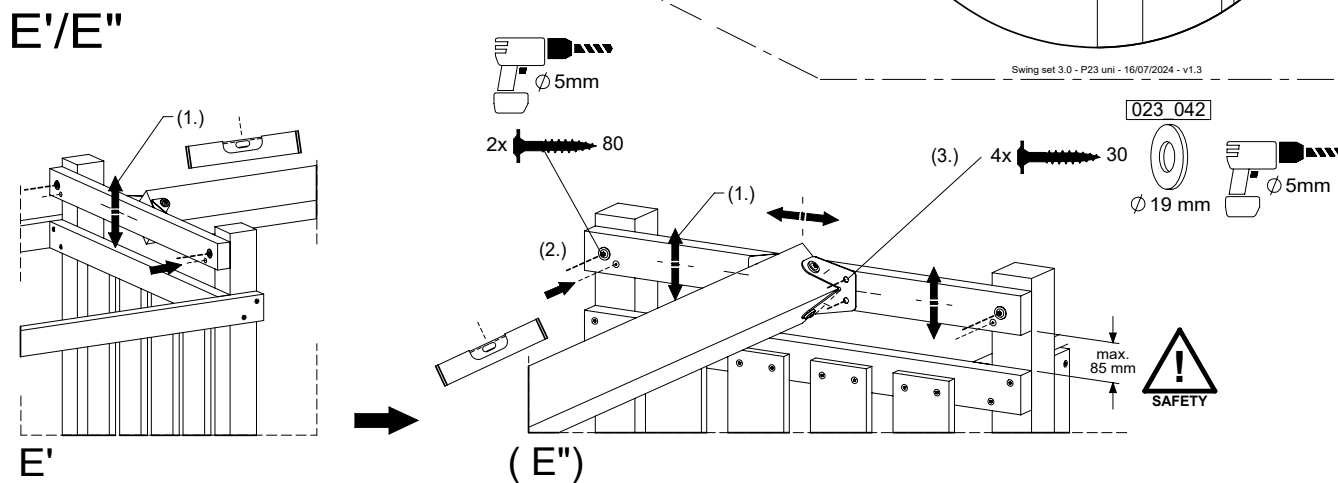


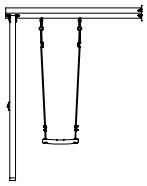


Swing set 3.0 - P22 uni - 16/07/2024 - v1.3

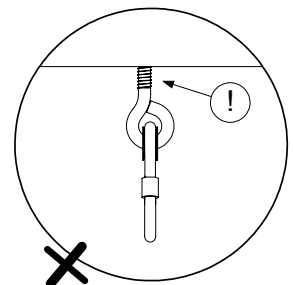
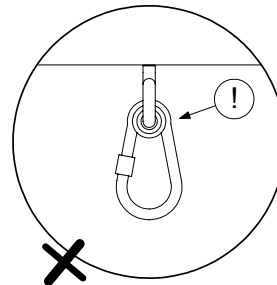
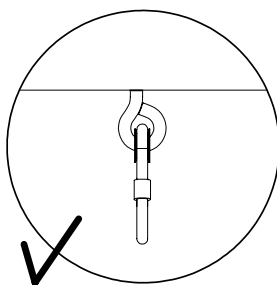
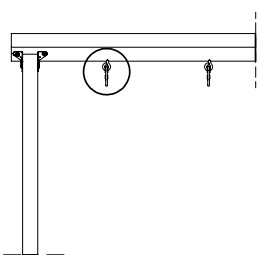
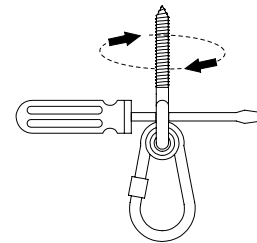
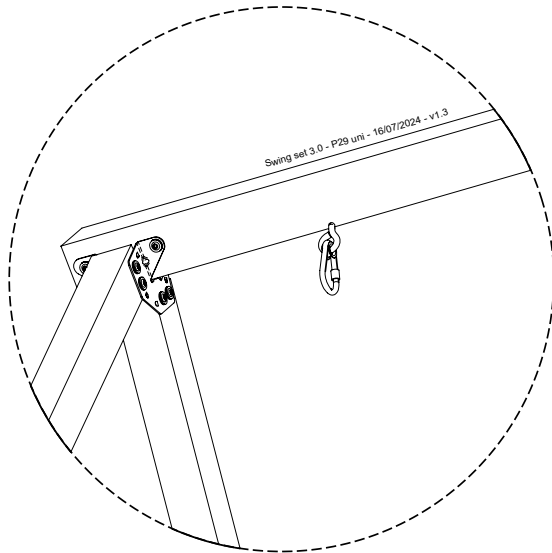
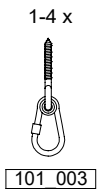
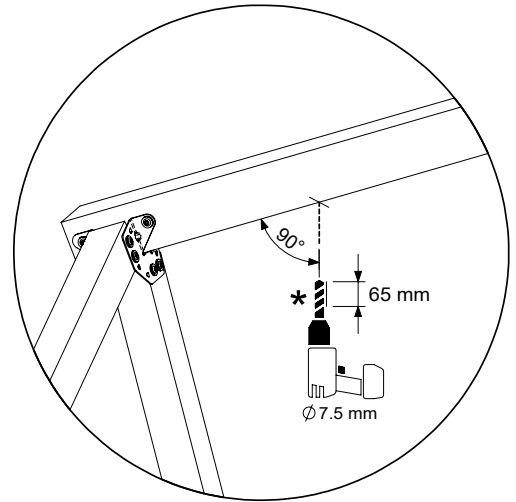
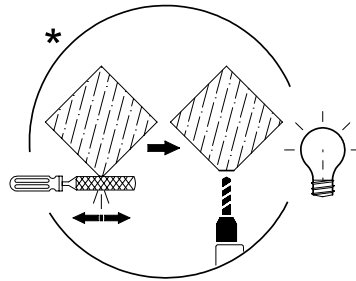
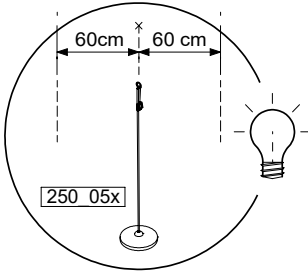
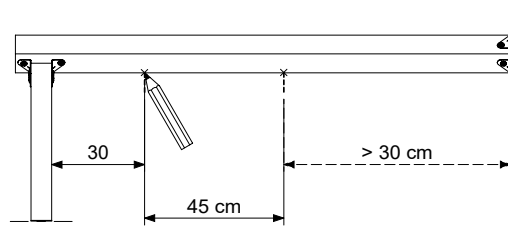


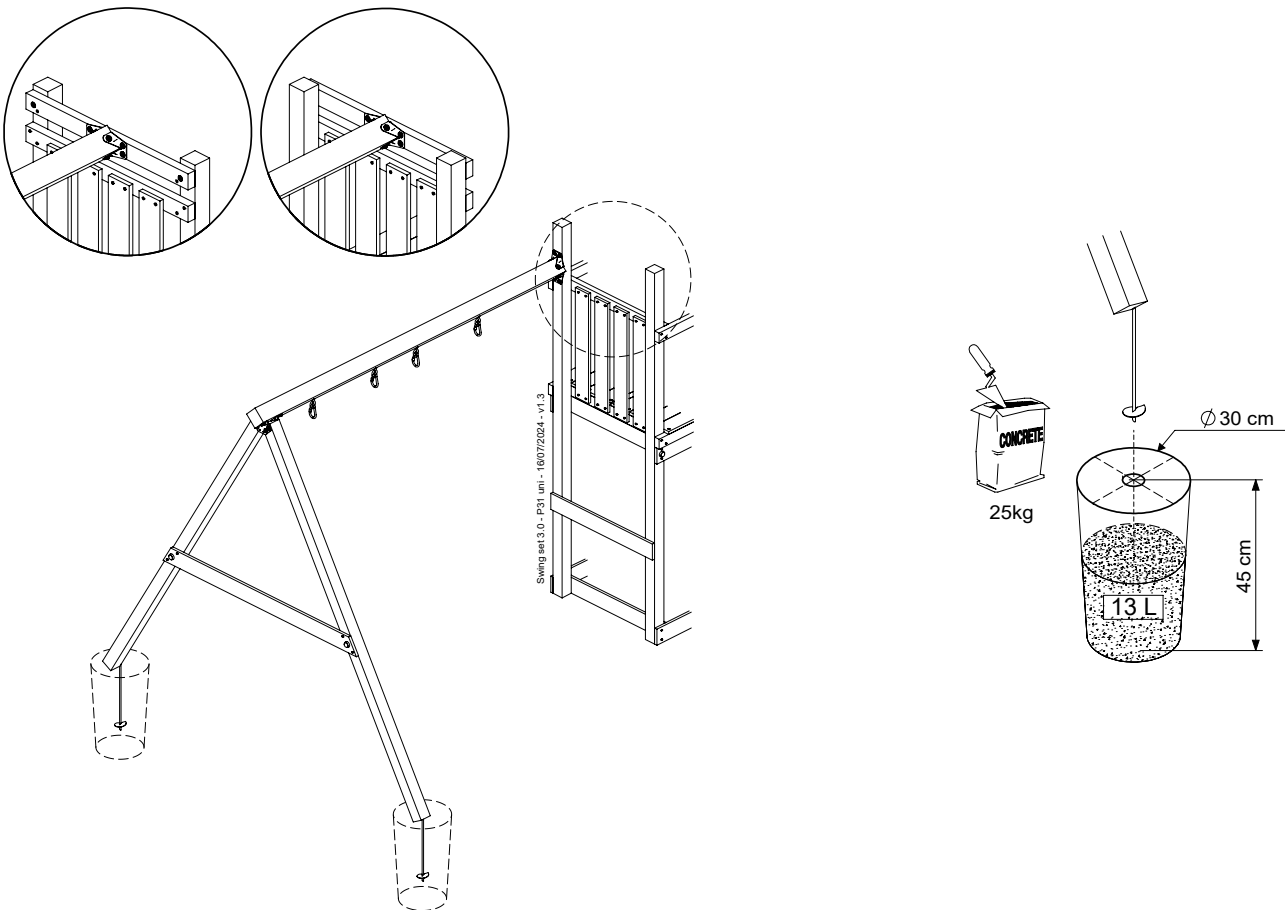
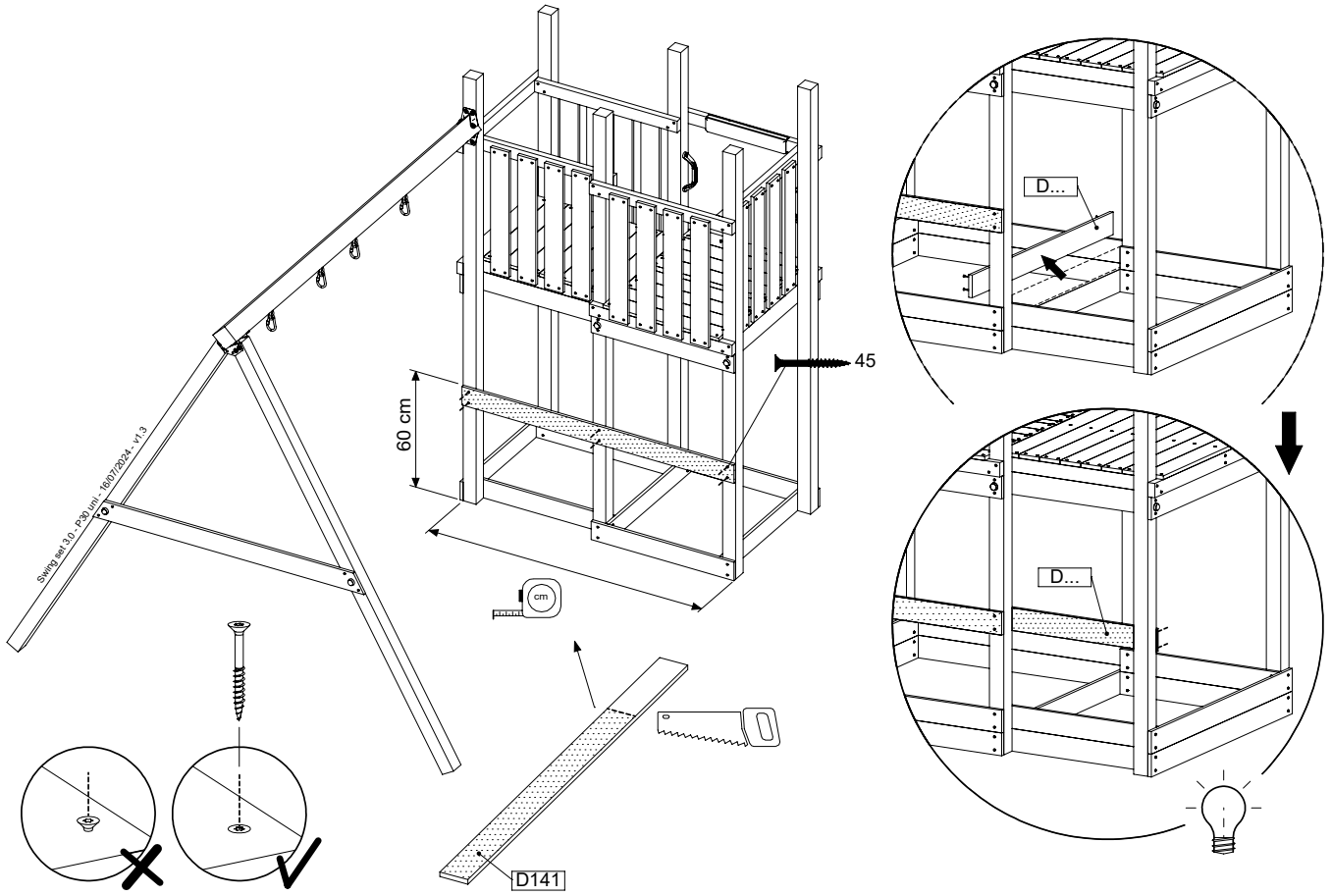
Swing set 3.0 - P23 uni - 16/07/2024 - v1.3

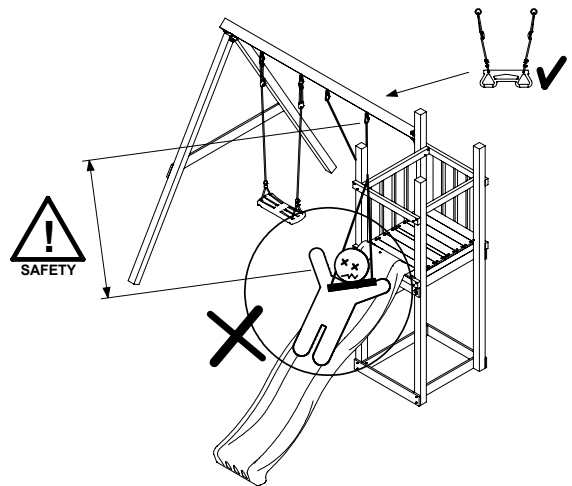
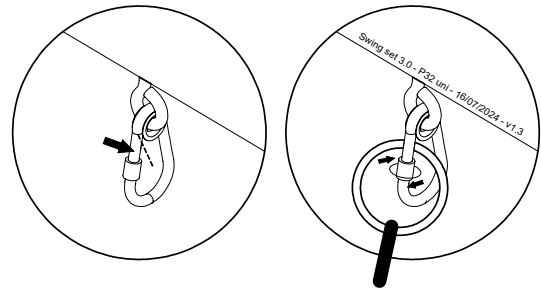
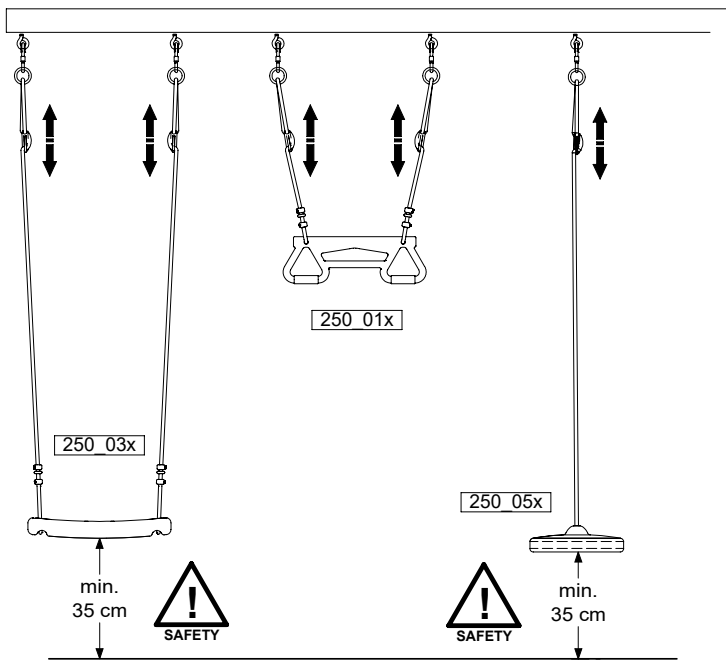




1-Swing position





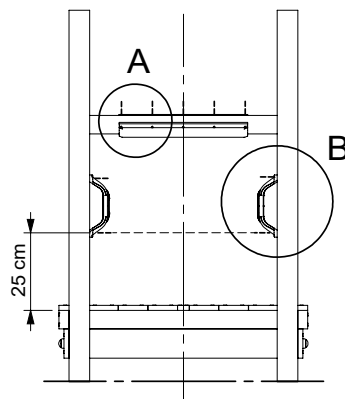
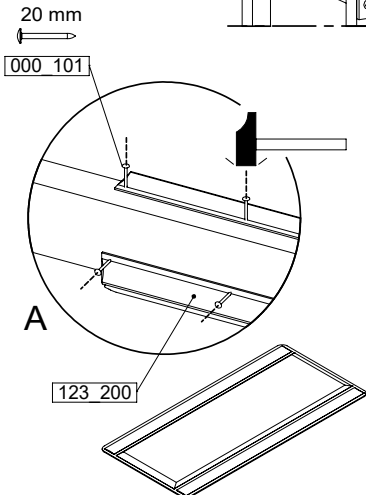
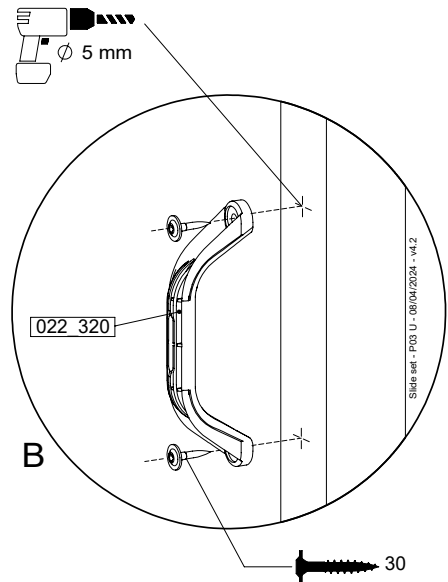
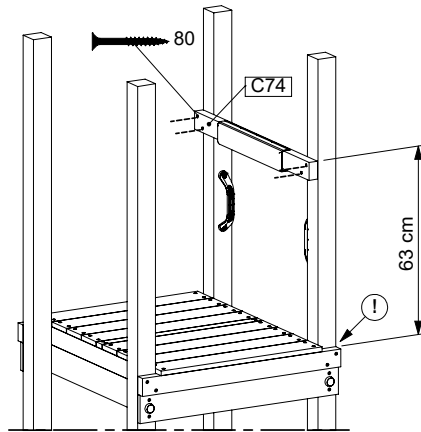
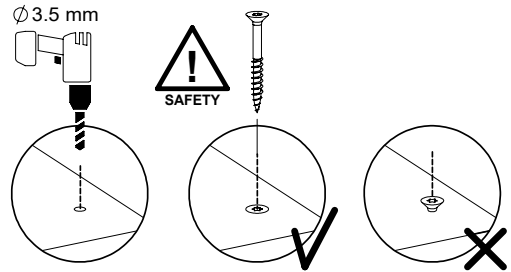
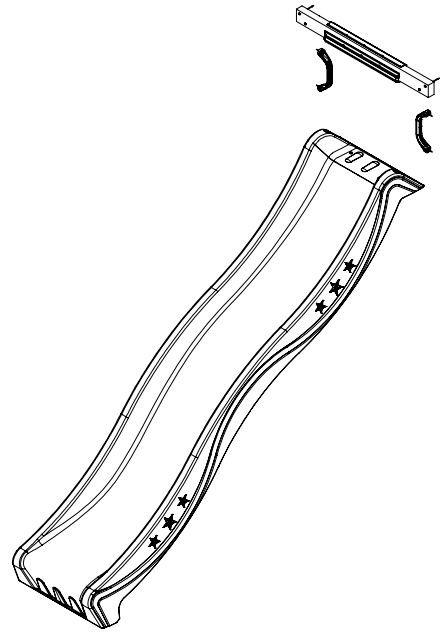


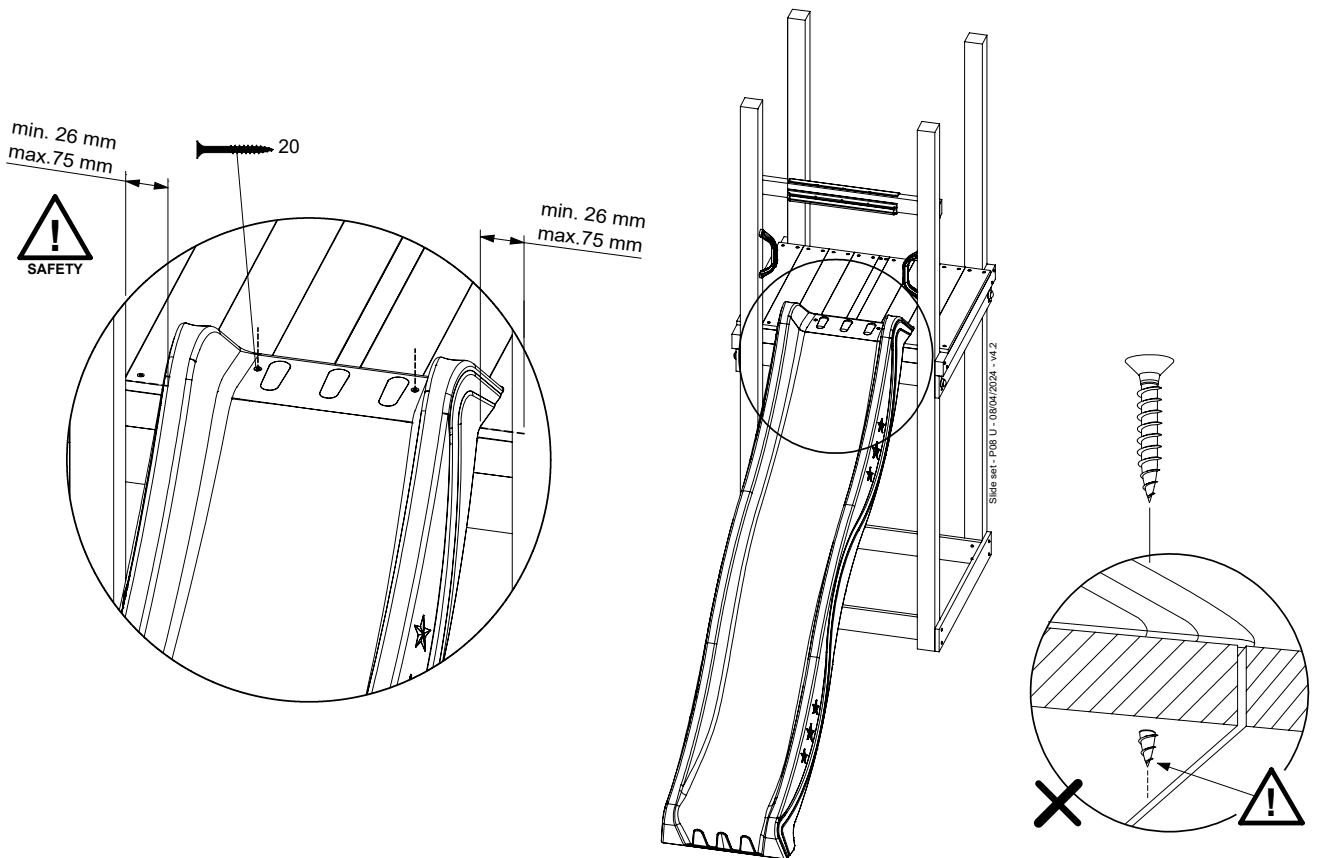
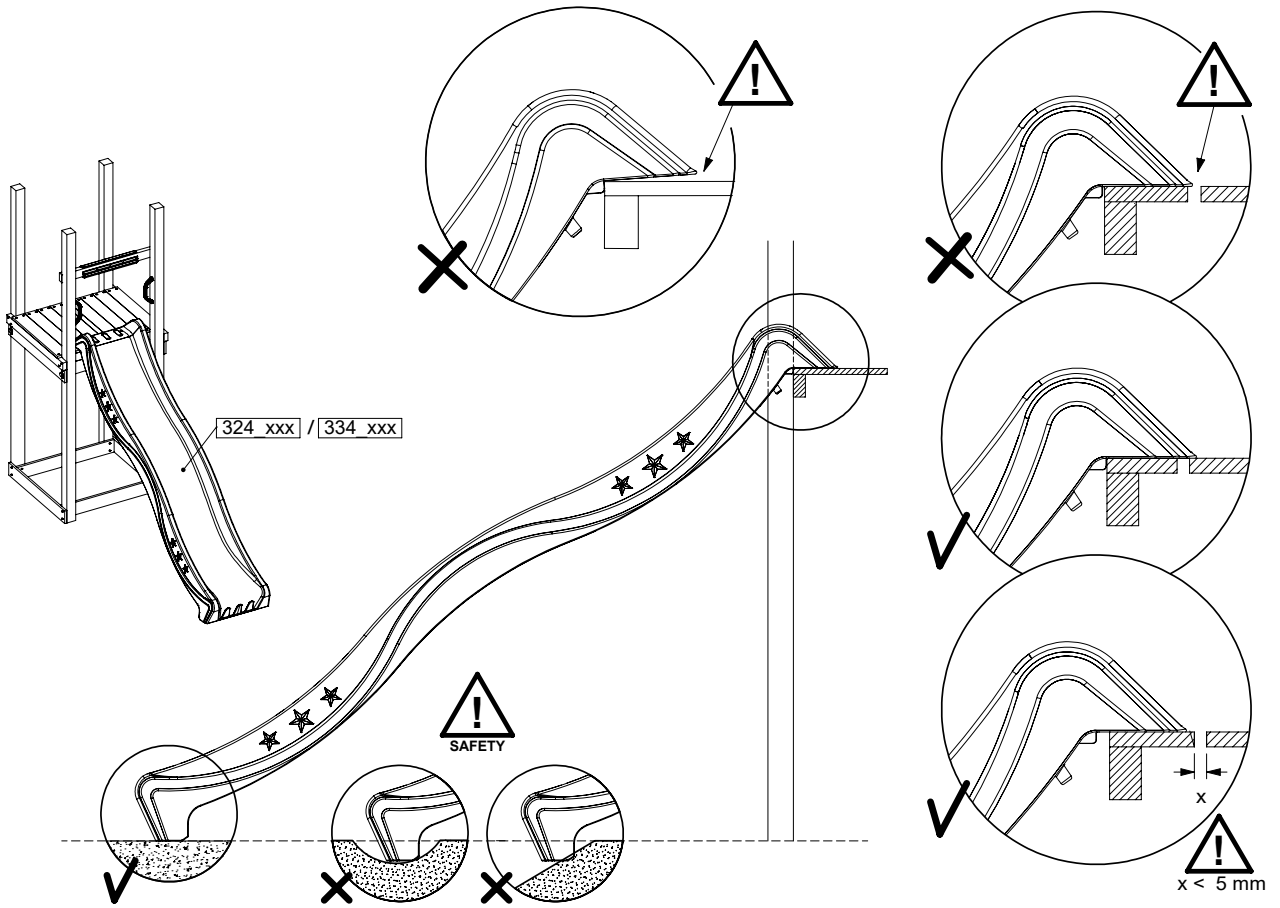
10 SL01a: Slide 80 125 U

Assembly Pack: 194_107

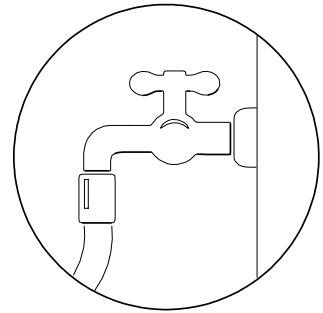
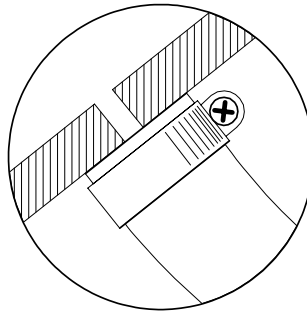
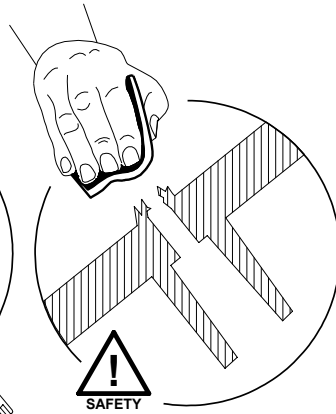
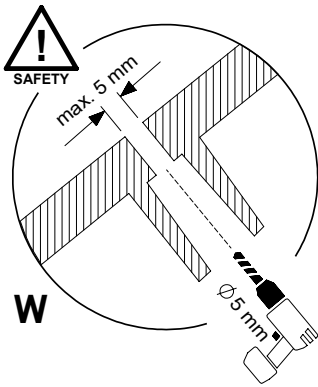
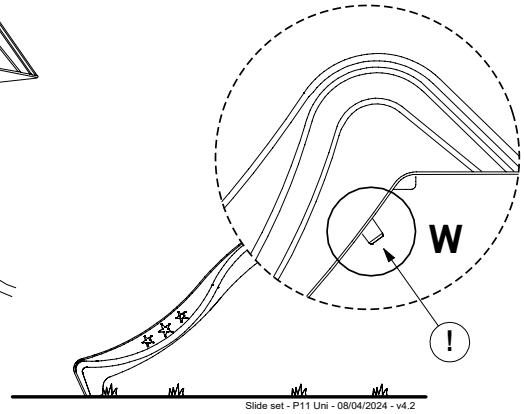
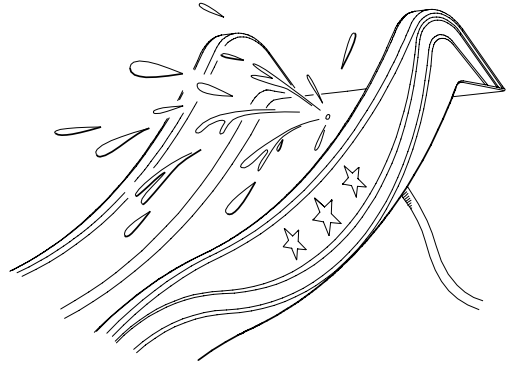
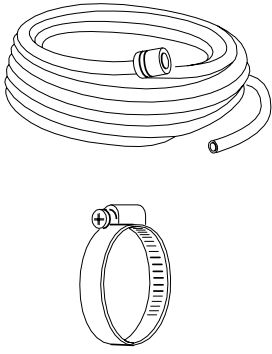
	PartNo	PartName	QTY.
Hardware Pack 100_605	000_101	Nail Pan Head	10
	002_223	Gap Point Screw T25 - 5x80	4
	002_308	Gap Point Screw T25 - 5x20	2
Other	120_102	Handgrip set (2x Complete)	1
	123_200	Bumperpad	1
	324_xxx 334_xxx	Wavy Star Slide XL 2200 mm / Wavy Star Slide XL 2650 mm	1
Timber	C74	Beam 740 mm	1

Slide set - P02 - 08/04/2024 - v4.2



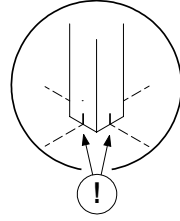
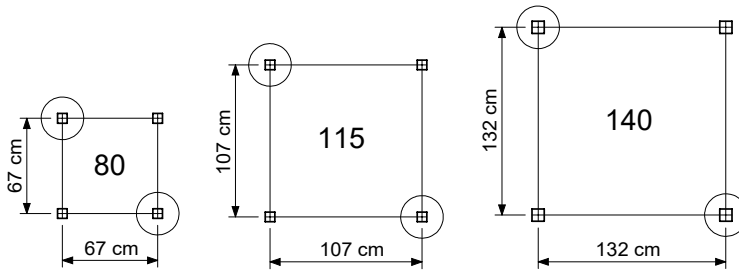
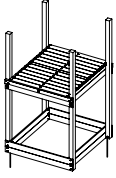


10.2

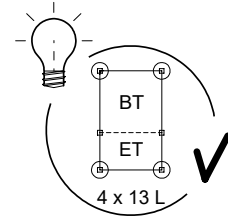
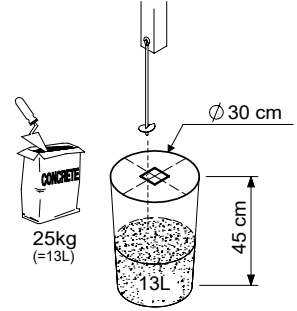
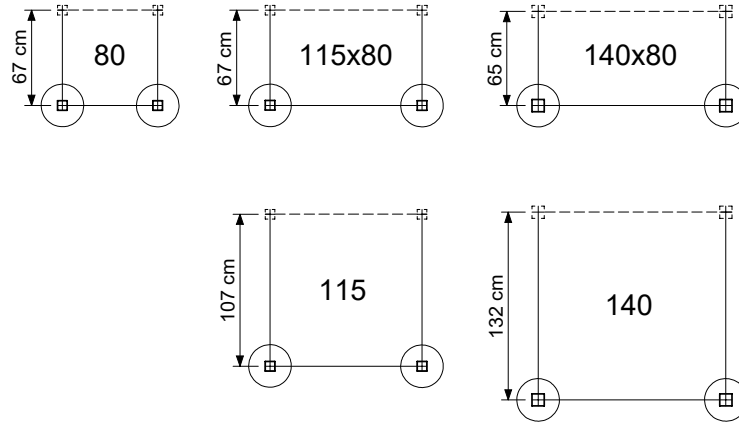
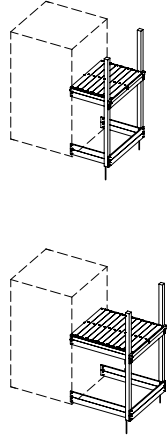


11 GA: Ground Anchors

BASE TOWERS

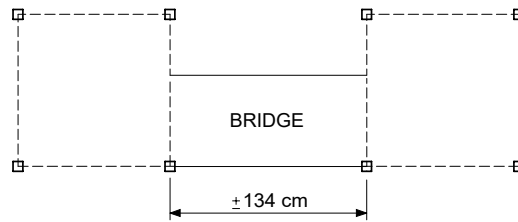
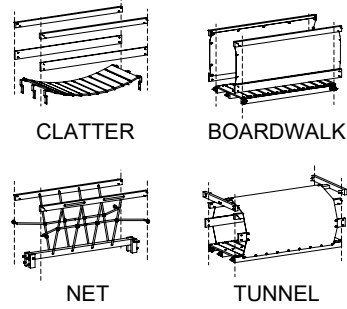


EXTENSION TOWERS



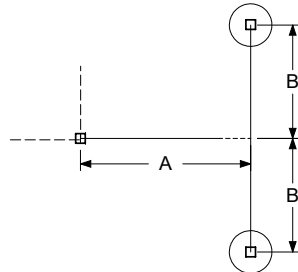
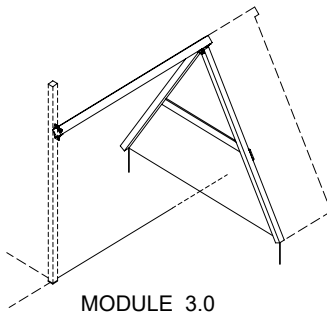
Ground Anchors Uni. - P03 - 08/04/2025 - V2.2

BRIDGES



Ground Anchors Uni. - P04 - 08/04/2025 - V2.2

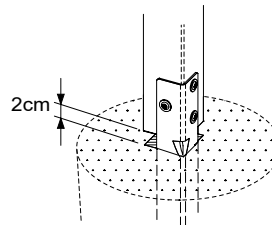
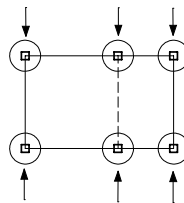
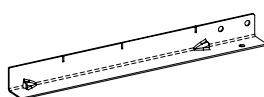
SWING / CLIMB



MODULE 3.0	Module type	A	B
	1-Swing 200 - 3.0	155	110
1-Swing 220 (Extra) - 3.0			
1-Climb 200 - 3.0	148	110	
2-Climb 200 - 3.0	222		
2-Swing 200 - 3.0	215	115	
1-Climb 220 (Extra) - 3.0	170		
2-Climb 220 (Extra) - 3.0	242		
2-Swing 220 (Extra) - 3.0	235		

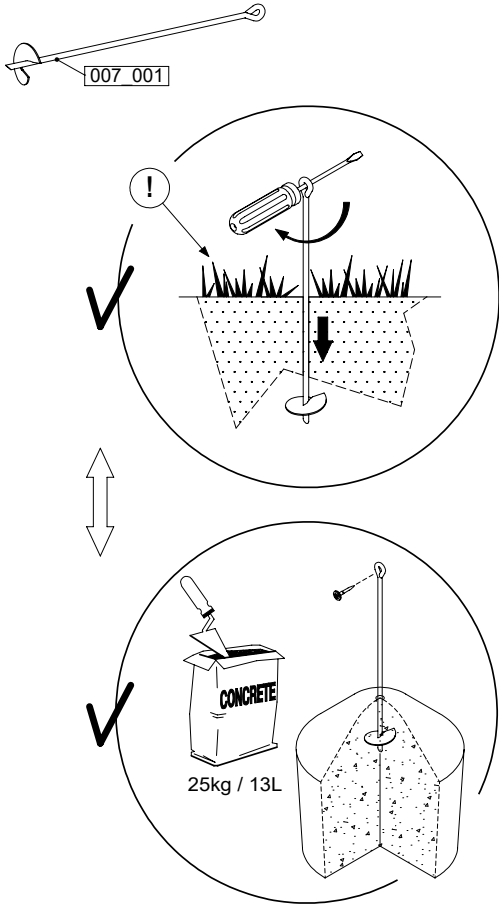
cm

Post ground anchor - optional -

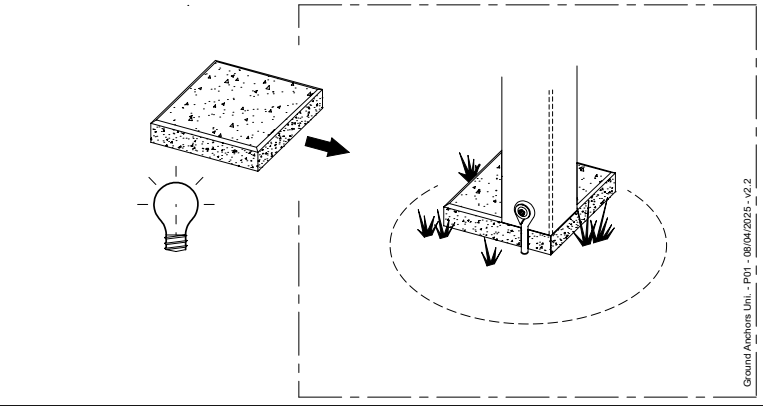
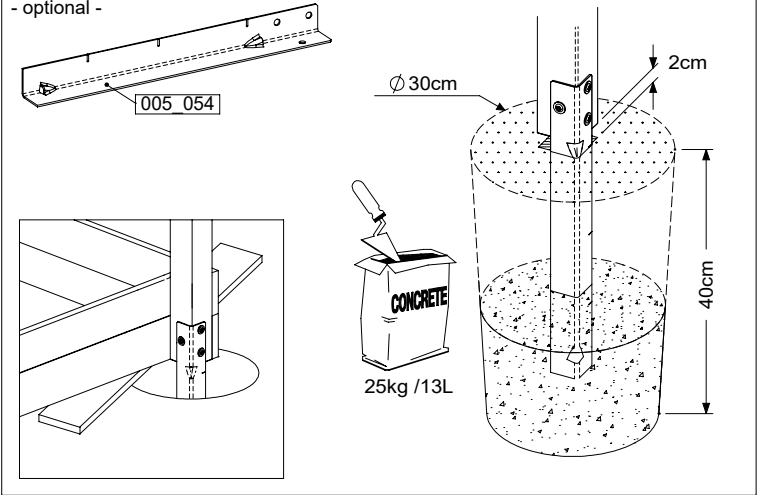


11.1

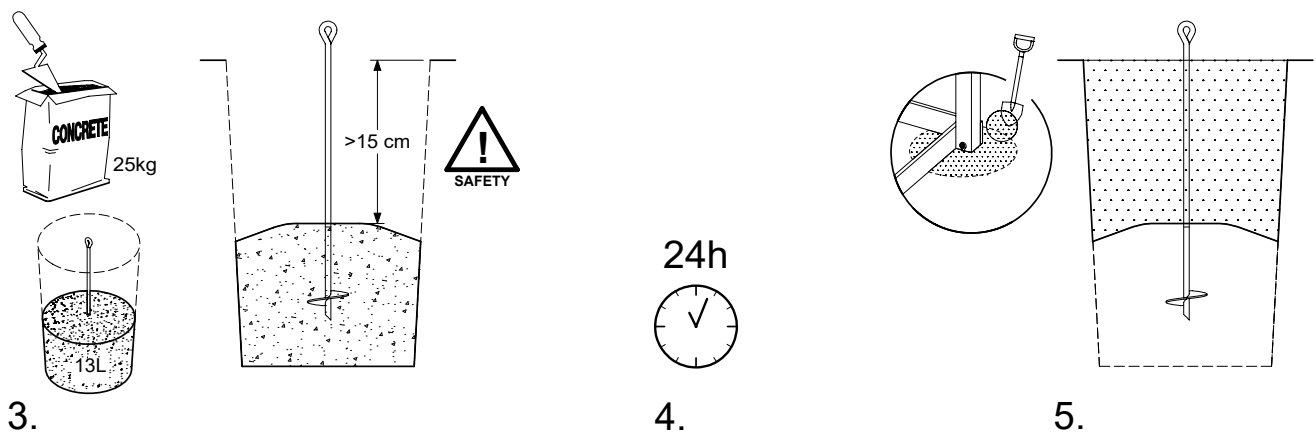
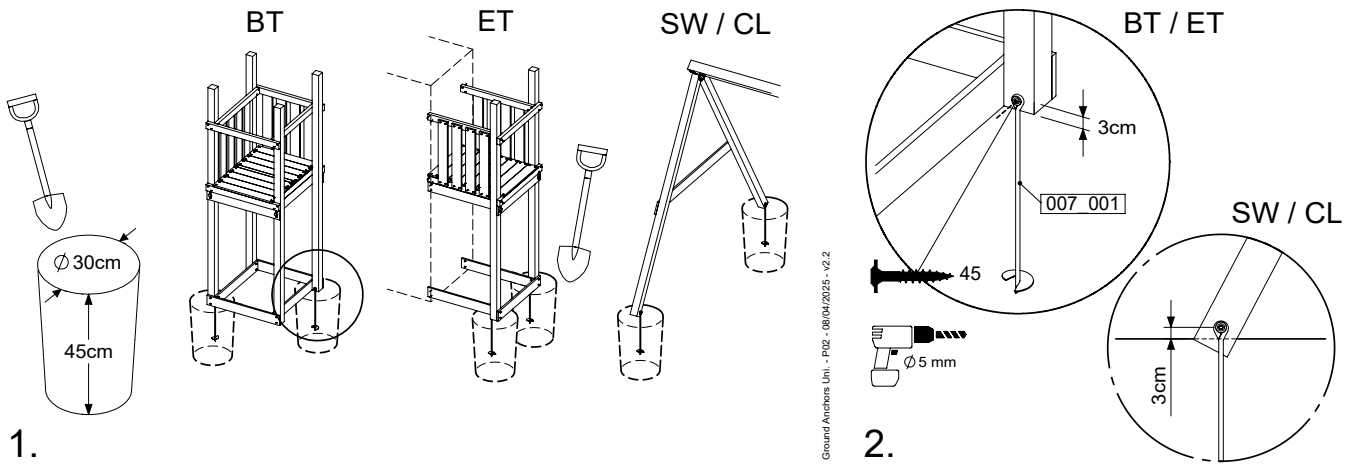
Screw-in ground anchor



Post ground anchor - optional -



Ground Anchors Unit - P01 - 08/04/2025 - v2.2

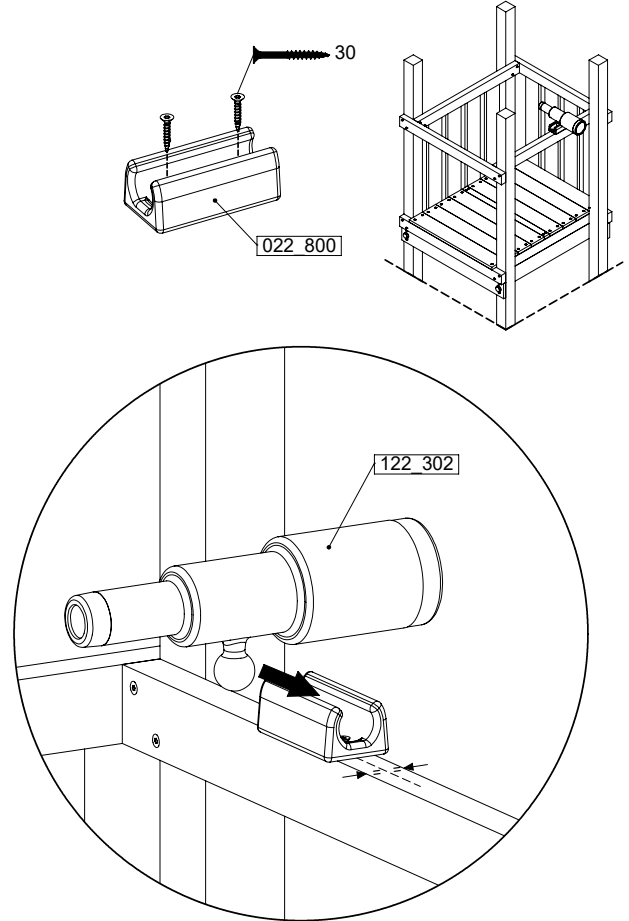
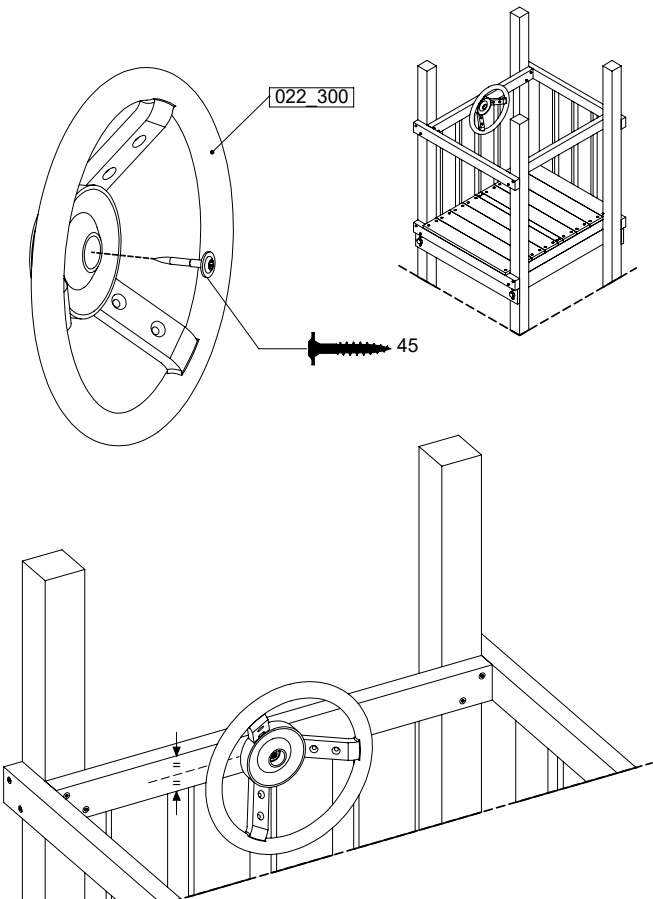
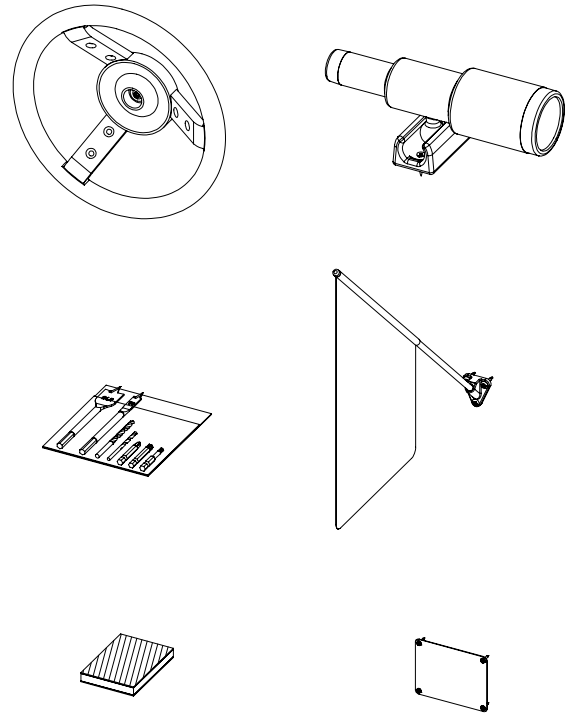


12 AC01a: Accessories

(194_119)

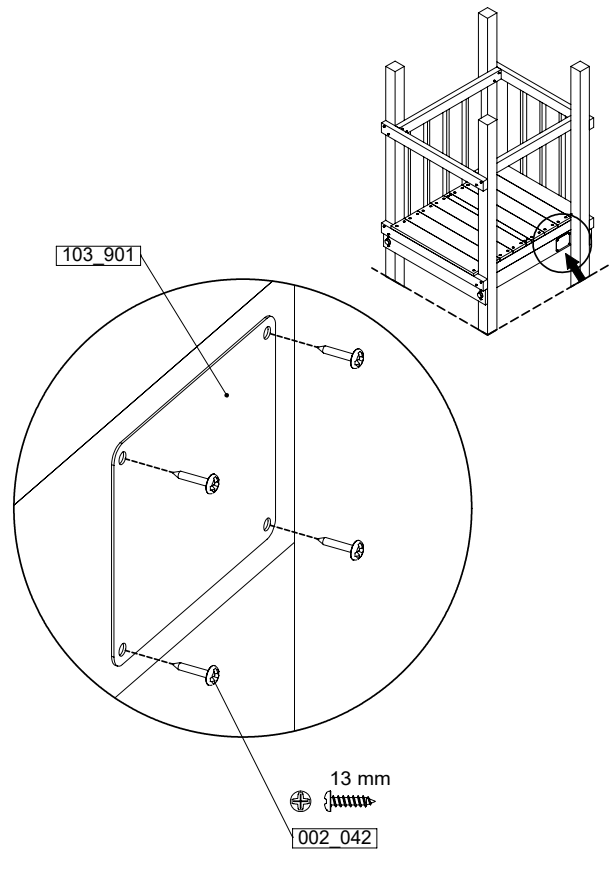
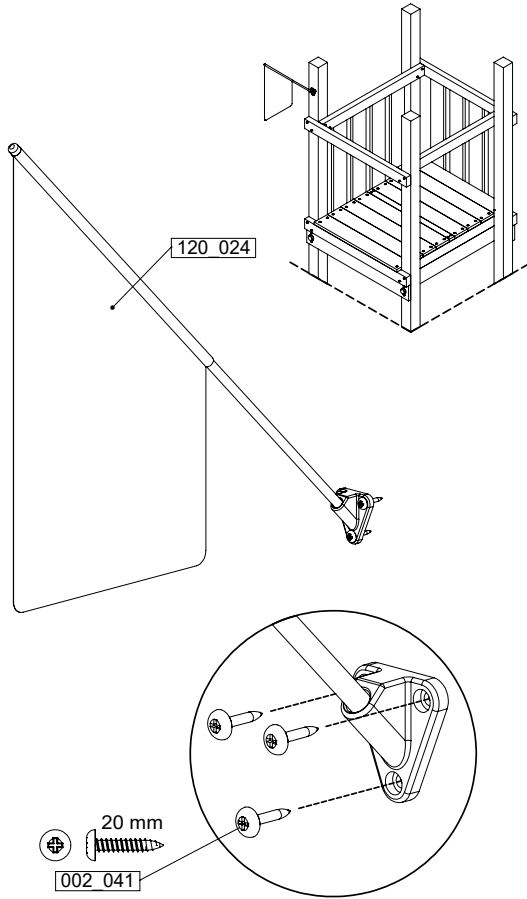
	PartNo	PartName	QTY.
Hardware Pack 100_617	001_406	Stealth Screw 8x45	1
	002_041	Dome head screw 4.5 x 20 mm	3
	002_042	Dome head screw 3.5 x 13mm	4
	002_219	Gap Point Screw T25 - 5x30	2
Other	022_300	Steering Wheel	1
	022_800	Rail P/T 105	1
	022_910	Sandpad	1
	103_901	Logo ID Plate	1
	104_107	Tool Set Climbing Units	1
	120_024	Tower Flag	1
	122_302	Telescope	1

Accessory set - P02 - 24/01/2024 - v5

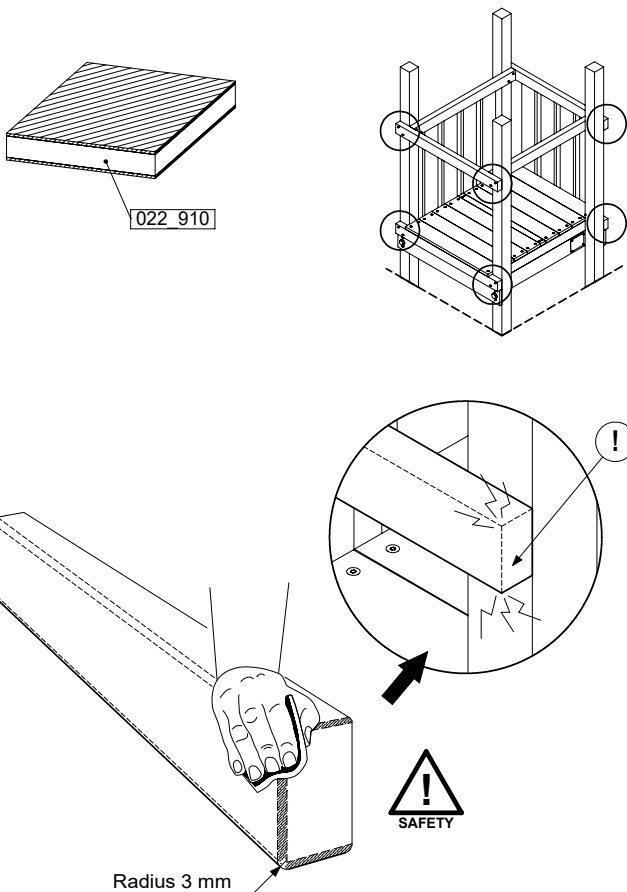


Accessory set - P03 - 24/01/2024 - v5

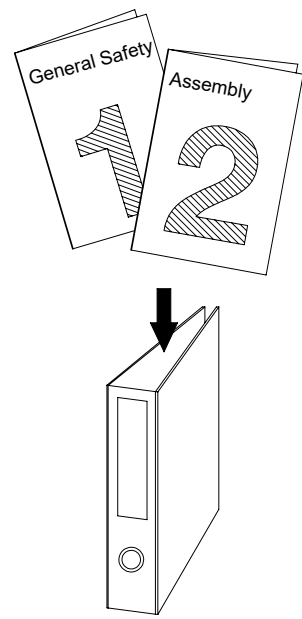
12.1



Accessory set - P04 - 24/01/2024 - 55



Accessory set - P05 - 24/01/2024 - 55

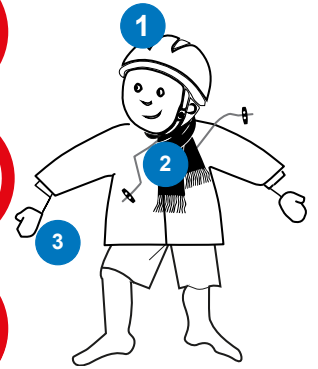
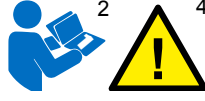




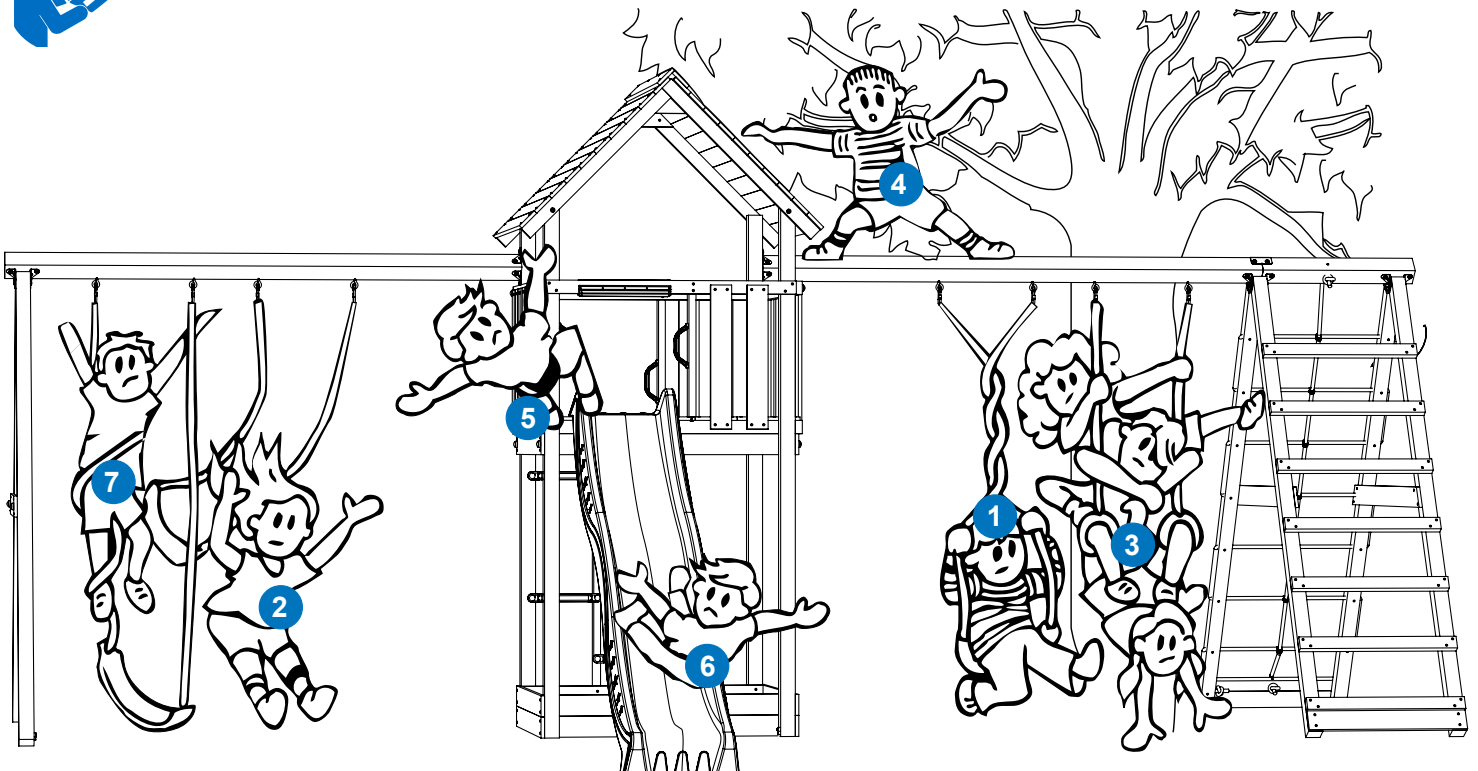
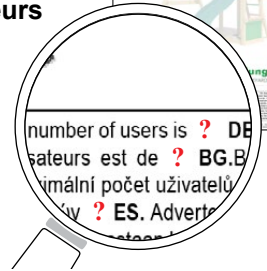
Safe play instructions and safety notices

Sichere Spielanweisungen und Sicherheitswarnungen

Consignes de jeu sécurisé et avis de sécurité



Maximum number of users
 Maximale Benutzerzahl
 Le nombre maximal d'utilisateurs





EU Declaration of Conformity
UK Conformity Assessed
EU-Konformitätserklärung
Déclaration EU de conformité



(in accordance with 768/2008/EC)

Product range: Activity toys for domestic use
Produktfamilie: Aktivitätsspielzeug für den häuslichen Gebrauch
Gamme de produits: Jouets d'activité à usage familial

DoC reference: 20241111_0500

Climbing frames

a. Assemblies for complete climbing frames - Bausätze für komplette Klettergerüste - Assemblages pour structures d'escalade complètes

Playtowers	801_005, 801_009, 801_010, 801_013, 801_025, 801_040, 801_060, 801_070, 801_090, 801_095, 801_100, 801_103, 801_105, 801_110, 801_120, 801_200, 802_202, 802_204, 802_206, 802_208, 803_202, 803_204, 803_206, 803_208, 803_210, 809_802, 809_804
Swings	801_300, 801_601, 801_602
Modules	850_176, 850_177, 850_231, 850_232, 857_101, 857_102, 857_105, 857_106, 857_151, 857_152, 857_157, 857_158, 850_240

b. Assemblies for climbing frames elements - Bausätze für Klettergerüst-Elemente - Assemblages pour éléments de structures d'escalade

Base towers (BT)	BT01a, BT02a, BT03a, BT11a, BT14a, BT15a, BT20a
Extension towers (ET)	ET01a, ET02a, ET05a, ET06a, ET07a, ET08a, ET09a, ET10a, ET11a, ET12a, ET13a, ET14a, ET15a, ET16a, ET17a, ET18a, ET19a, ET20a, ET22a, ET23a, ET27a, ET28a, ET35a, ET29a, ET39a, ET40a
Veranda (VD)	VD01a, VD02a, VD03a, VD04a, VD05a
Bridges (CB, NB, BB, TB)	CB01a, CB01b, NB01a, BB01a, BB02a, TB01a, TB02a, TB03a, TB04a
Roofs (RF)	RF01a, RF21a, RF02a, RF03a, RF04a, RF05a, RF06a, RF20a, RF02b, RF03b, RF28a, RF07a, RF08a, RF22a, RF09a, RF23a, RF11a, RF12a, RF16a, RF07b, RF12b, RF08b, RF22b, RF09b, RF23b, RF11b, RF29a, RF14a, RF24a, RF15a, RF25a, RF18a, RF17a, RF18b, RF14b, RF24b, RF15b, RF25b
Balustrade (BL, BF)	BL01a, BL02a, BL11a, BL12a, BL21a, BF25a, BF26a, BF27a, BF28a, BL03a, BL04a, BL13a, BL14a, BF01a, BF02a, BF03a, BF04a, BF05a, BF06a, BF07a, BF08a, BF01b, BF02b, BF03b, BF04b, BF05b, BF06b, BF07b, BF08b, BL05a, BL06a, BL07a, BL08a, BL09a, BL10a, BL15a, BL16a, BF21a, BF22a, BF23a, BF24a, BF21b, BF22b, BF23b, BF24b
Playhouse (PH)	PH03a, PH04a, PH05a, PH06a, PH10a, PH11a, PH40a, PH41a, PH12a, PH13a, PH14a, PH15a, PH42a, PH43a, PH44a, PH45a, PH16a, PH17a, PH18a, PH19a, PH30a, PH31a, PH16b, PH17b, PH18b, PH19b, PH46a, PH47a, PH48a, PH49a, PH16c, PH17c, PH18c, PH19c, PH46b, PH47b, PH48b, PH49b, PH20a, PH21a, PH22a, PH23a, PH24a, PH25a, PH26a, PH27a, PH32a, PH33a, PH52a, PH53a, PH54a, PH55a, PH56a, PH57a, PH50a, PH51a, PH26b, PH27b, PH26c, PH27c, PH56b, PH57b
Ladder (LA)	LA05a, LA06a, LA01a, LA02a, LA09a, LA03a, LA04a, LA01b, LA02b, LA09b, LA03b, LA04b, LA11a, LA12a, LA13a, LA14a, LA15a, LA16a, LA17a, LA18a, LA31a, LA32a, LA33a, LA34a, LA35a, LA36a, LA37a, LA38a, LA11b, LA12b, LA13b, LA14b, LA15b, LA16b, LA17b, LA18b, LA19a, LA20a, LA21a, LA22a, LA23a, LA24a, LA25a, LA26a, LA43a, LA44a, LA45a, LA46a, LA23b, LA24b, LA25b, LA26b
Two Step Ladder (TS)	TS01a, TS01b, TS02a, TS02b, TS03b, TS22a, TS05a, TS06a, TS07a, TS08a, TS09a, TS10a, TS11a, TS12a, TS15a, TS16a, TS17a, TS18a, TS19a, TS20a, TS21a, TS22a
Rope Ladder (RL)	RL01a, RL02a, RL05a, RL06a, RL07a, RL08a, RL09a, RL10a, RL11a, RL12a, RL15a, RL16a, RL19a, RL20a
Rock wall (RW)	RW01a, RW02a, RW01b, RW02b, RW03b, RW31a, RW32a, RW33a, RW05a, RW06a, RW07a, RW08a, RW09a, RW10a, RW11a, RW12a, RW40a, RW41a, RW15a, RW16a, RW17a, RW18a, RW19a, RW20a, RW46a, RW47a
Ramp (RA)	RA01b, RA02b, RA03a, RA04a, RA21a, RA05a, RA06a, RA07a, RA08a, RA05b, RA06b, RA07b, RA08b, RA11a, RA12a, RA09b, RA10b, RA11b, RA12b
Net (NA, NS)	NA01a, NA02a, NS01a, NS02a, NS03a, NS21a, NA04a, NA05a, NS04a, NS05a, NS06a, NS07a, NA08a, NA09a, NS08a, NS09a
Boat (BO)	BO01a
Market (MT) & Target Canvas (TC)	MT01a, MT02a, TC01a, TC02a, MT01b, MT02b, TC01b, TC02b, MT05a, MT06a, MT11a, MT12a
Picnic (PC)	PC01a, PC01b, PC05a, PC06a, PC09a, PC10a
Gymnastics bar (GY)	GY01a
Fireman's pole (FP)	FP01a, FP02a, FP04a, FP05a, FP06a, FP07a, FP23a, FP24a, FP25a, FP26a, FP27a, FP28a
Slides (SL)	SL01a, SL02a, SL03a, SL06a, SL07a, SL08a, SL09a, SL10a, SL11a, SL12a, SL13a, SL26a, SL27a, SL28a, SL29a
Swing (SM)	SW17a, SW21a, SW18a, SW22a, SW19a, SW23a, SW01a, SW05a, SW02a, SW06a, SW03a, SW07a, SW09a, SW13a, SW10a, SW14a, SW11a, SW15a
Climb (CL)	CL17a, CL21a, CL18a, CL22a, CL19a, CL23a, CL01a, CL05a, CL02a, CL06a, CL03a, CL07a, CL09a, CL13a, CL14a, CL11a, CL15a
Universal Beam (UB)	UB01a, UB04a, UB02a, UB05a, UB03a, UB06a, UB07a, UB08a
Accessories (AC)	AC40a, AC30a, AC31a, AC32a, AC33a, AC01a, AC05a, AC07a, AC03a, AC04a, AC06a, AC23a, AC22a, AC24a, AC21a, AC25a, AC02a, AC09a, AC08a, AC10a

Construction packages

a. Assembly kits for complete climbing frames - Bausätze für komplette Klettergerüste - Kits de construction pour structures d'escalade complètes

Playtowers	401_015, 401_080, 401_125, 402_201, 402_202, 402_204, 402_206, 402_208, 403_202, 403_204, 403_206, 403_208, 403_210, 409_802, 409_804
Swings	401_300, 401_600
Modules	457_005, 457_102, 457_103, 457_106, 457_107, 457_205

b. Assembly packs for climbing frames elements - Baupakete für Klettergerüst-Elemente - Packs de construction pour éléments de structures d'escalade

Sub assemblies	194_002, 194_003, 194_004, 194_006, 194_007, 194_008, 194_009, 194_010, 194_011, 194_100, 194_101, 194_102, 194_103, 194_104, 194_105, 194_107, 194_108, 194_109, 194_110, 194_111, 194_112, 194_113, 194_114, 194_115, 194_116, 194_117, 194_118, 194_119, 194_300, 194_308, 194_312, 194_500, 194_501, 194_508, 194_510, 194_802, 194_804, 194_809, 194_810, 194_811, 194_812
----------------	---

Accessories and components - Zubehör und Komponenten - Accessoires et composants

Slides XL	324_100, 324_200, 324_300, 324_400, 324_500, 324_600
Slides XXL	334_100, 334_200, 334_300, 334_400, 334_500, 334_600
Fireman's pole	201_275
Climbing	201_060, 201_273
Imagination	201_280, 201_285, 201_290, 201_295, 202_473, 450_310, 450_320, 450_330
Swinging	250_001, 250_013, 250_025, 250_034, 250_053
Functional	123_220, 123_222, 123_230, 201_115, 201_220, 201_250, 201_260, 201_270, 202_620, 202_621, 202_622, 202_623, 202_624, 202_625, 202_626, 202_627, 202_628, 202_629, 202_824, 250_065, 250_070, 250_075

Applicable EU and UK directives, regulations and standards

General directives

- EU Product Safety Regulation (GPSR 2023/988/EC)
- UK General Product Safety Regulations (GPSRs SI 2005/1803)
- EU Reach Directive 1907/2006
- AfPS GS 2019:01 PAK

Toy directives

- EU Toys Safety Directive (TSD 2009/48/EC)
- UK Toys Safety Regulations 2011 (TSR SI 2011/1881)

Harmonised European and UK toy standard

- Safety of toys (EN 71)
 - Part 1: Mechanical and physical properties (prEN 71-1:2024)
 - Part 2: Flammability (EN 71-2:2020/prA1:2023)
 - Part 3: Migration of certain elements (EN 71-3:2019+A1:2021)
 - Part 8: Activity toys for domestic use (prEN 71-8:2024)

Additional audits

Test reports / Certificate:

TüV Rheinland Product Safety GmbH
Am Grauen Stein, 51105 Köln, Germany
Zertifikat: R 60010766, R 60024578
Prüfbericht: 21115718_003/004/005, 21140630_001/002

Prüfbericht / Zertifikat:

Rapport d'essai / certificate:

Dekra Automobil GmbH
Handwerkstraße 15, 70565 Stuttgart, Germany
Prüfbericht: 340331500_55245585/13-2

Laboratoire National de métrologie et d'essais (LNE)
29 Avenue Roger Hennequin, 78197 Trappes Cedex, France
Revue documentaire: K080196

Design

Product image:

Produktbild:

Image du produit:

Design code:

1 1 1 K 7 D

Production date:

02-05-2025



Declaration

This declaration of conformity is issued solely under the responsibility of the manufacturer, who asserts that the aforementioned products comply with the applicable directives and harmonized standards, provided that installation, assembly, and maintenance are performed in accordance with the instructions supplied.

Diese Konformitätserklärung wird ausschließlich unter der Verantwortung des Herstellers ausgestellt, der erklärt, dass die genannten Produkte den geltenden Richtlinien und harmonisierten Standards entsprechen, vorausgesetzt, dass Installation, Montage und Wartung gemäß den bereitgestellten Anweisungen durchgeführt werden.

Cette déclaration de conformité est émise uniquement sous la responsabilité du fabricant, qui affirme que les produits mentionnés ci-dessus sont conformes aux directives applicables et aux normes harmonisées, à condition que l'installation, le montage et l'entretien soient réalisés conformément aux instructions fournies.

Manufacturer details

Jungle Gym B.V.
P.O. Box 75083
1070 AB Amsterdam
Netherlands
www.junglegym.com
info@junglegym.com
+31 85 44 44 100

Jungle Gym
BACKYARD PLAYGROUNDS

since 1988

Amsterdam, December 1st, 2024

On behalf of the manufacturer
Jungle Gym B.V.


Paul Schmit
CEO