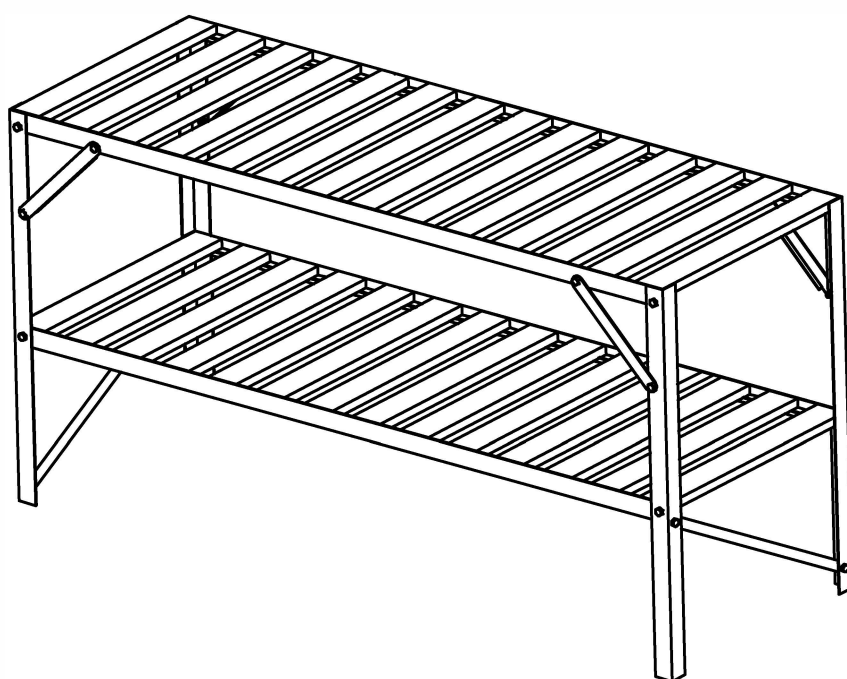


15501





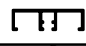






4' Staging 2 Tier

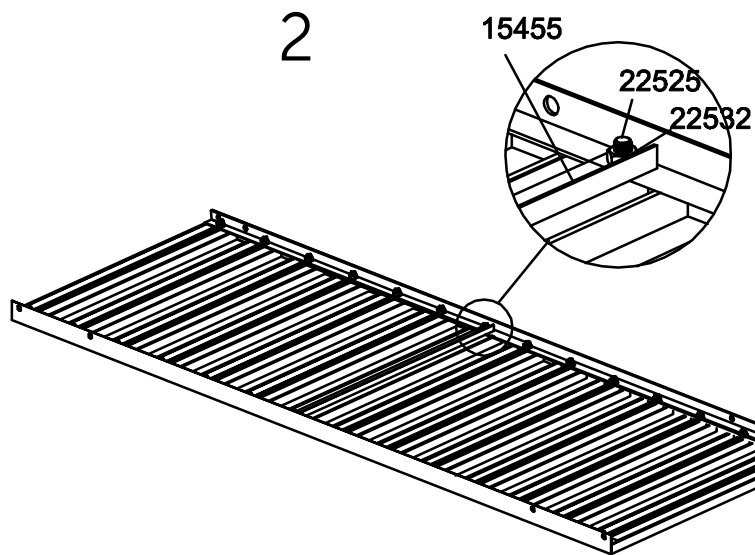
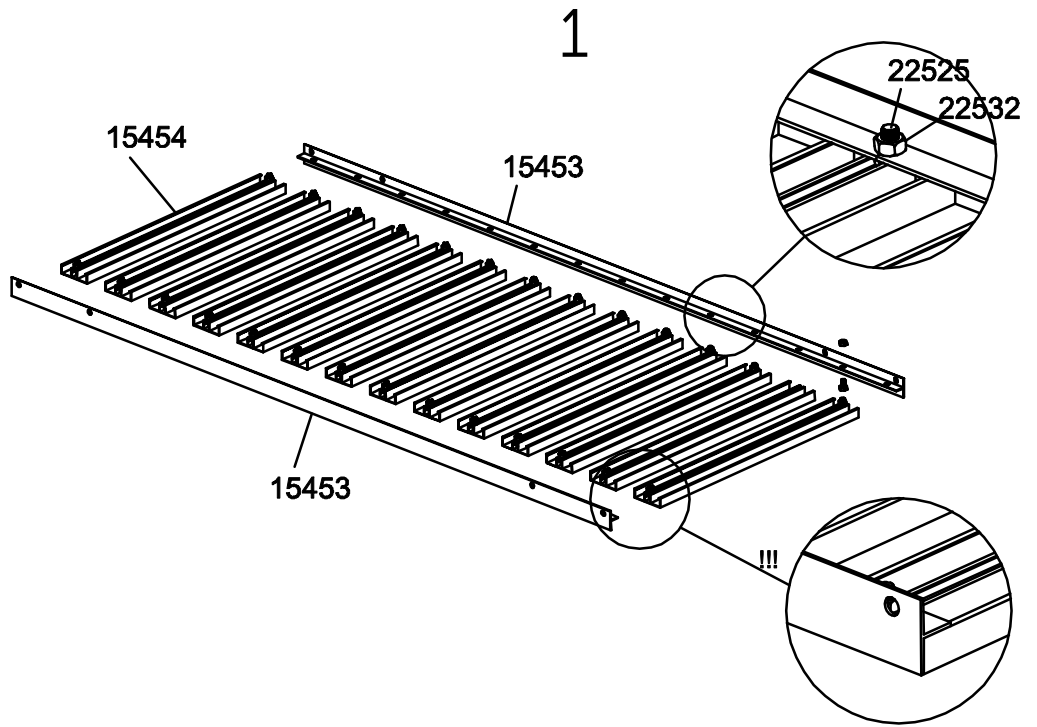


SO1709 / 70128 / SO1721

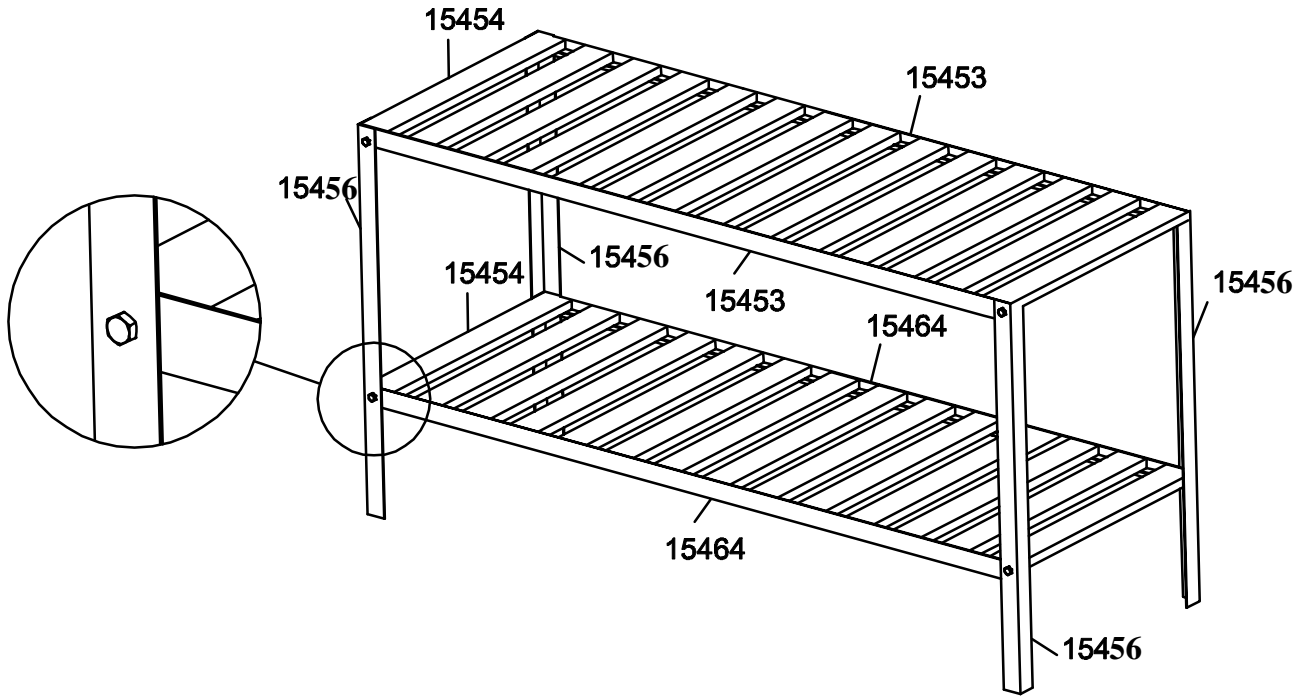
1208 X 520 X 760 mm

Assembly Instructions – Montagevejledning – Montageanleitung – Monteringsanvisning
Instructions de montage – Montagehandleiding – Kokoamisohje – Instukcja motažu

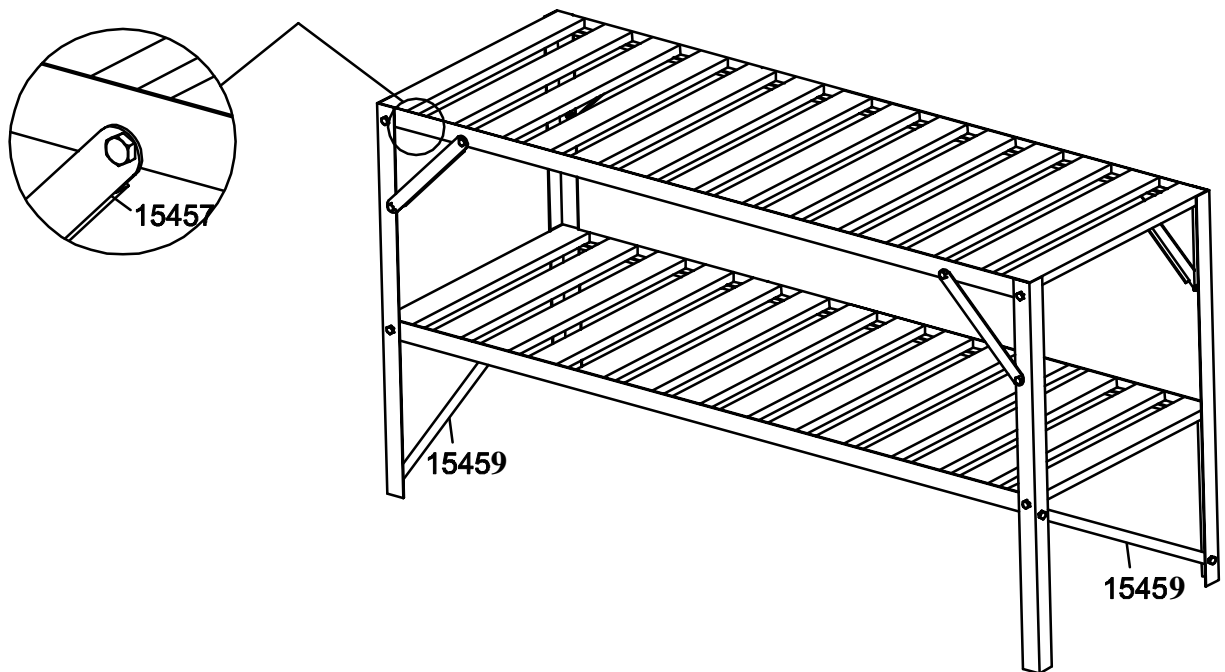
| # | | QTY. |
|-------|---|------|
| 15453 |  | 2 |
| 15464 |  | 2 |
| 15454 |  | 28 |
| 15455 |  | 2 |
| 15456 |  | 4 |
| 15459 |  | 2 |
| 15457 |  | 4 |
| 22525 |  | 76 |
| 22532 |  | 76 |



3



4





www.hallsgreenhouses.com

As part of our policy of continuous development and improvement.
We reserve the right to modify any of the information set out within this document
and any related documentation at any time without notice.

This product is delivered by a company within the Juliana Group - www.juliana.com