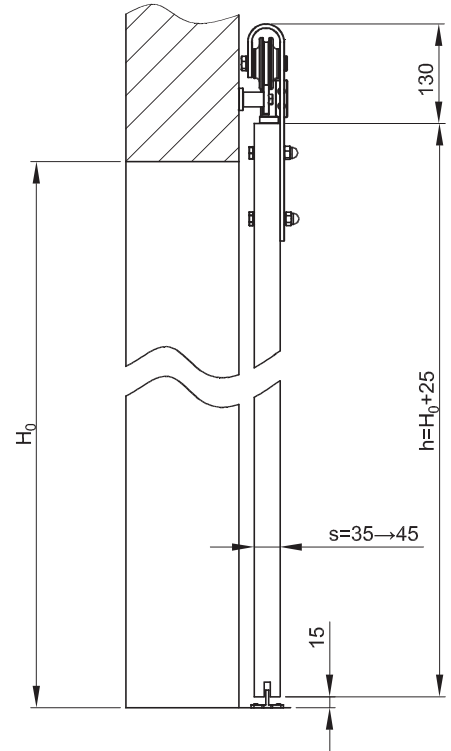
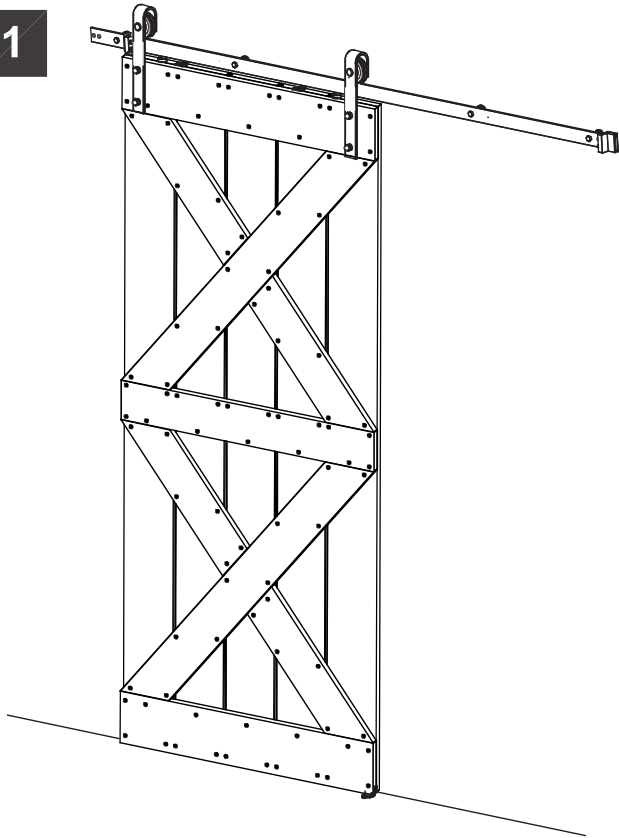
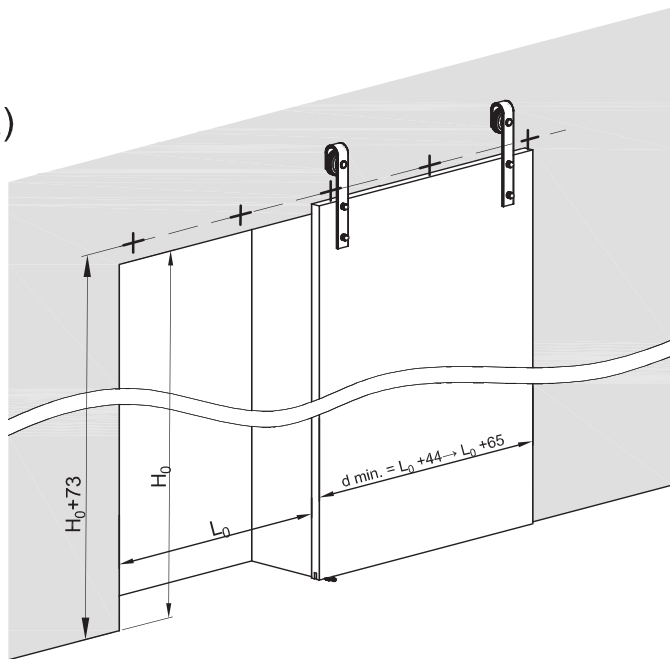


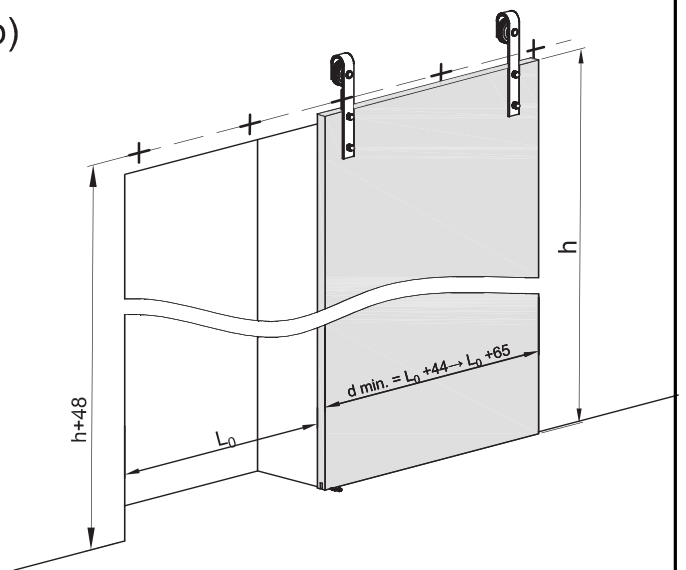
1

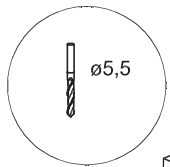


a)

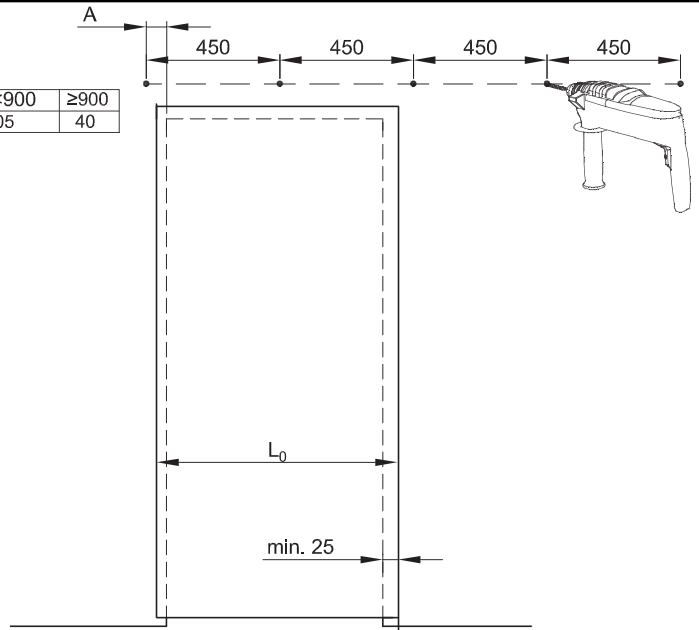


b)

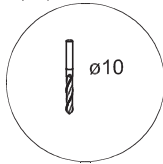
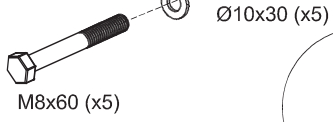
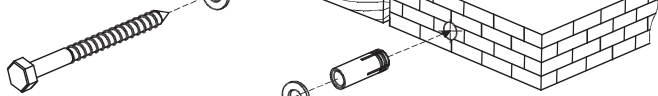




L_0 [mm]	$800 \leq L_0 < 900$	≥ 900
A [mm]	105	40

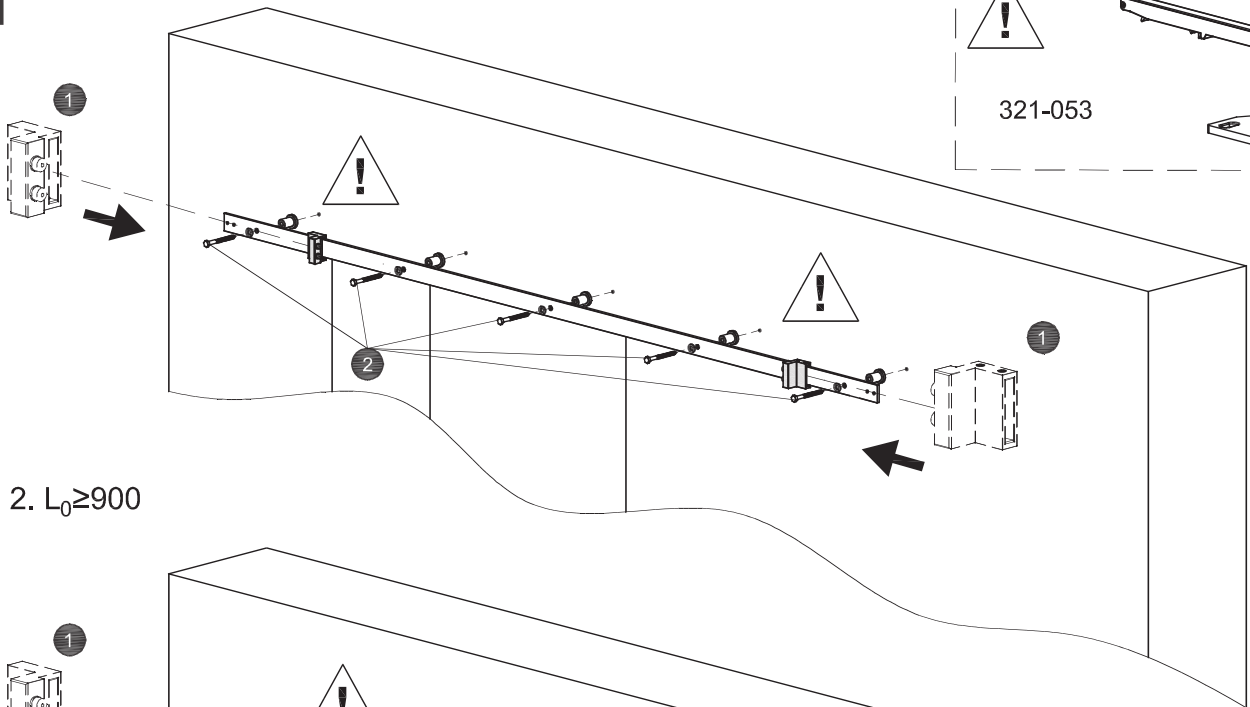


St 8x90 (x5)

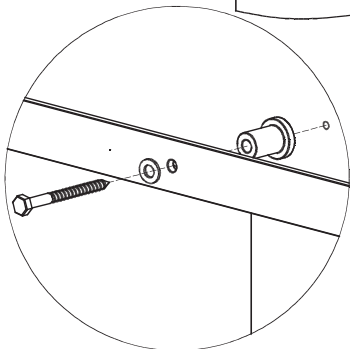
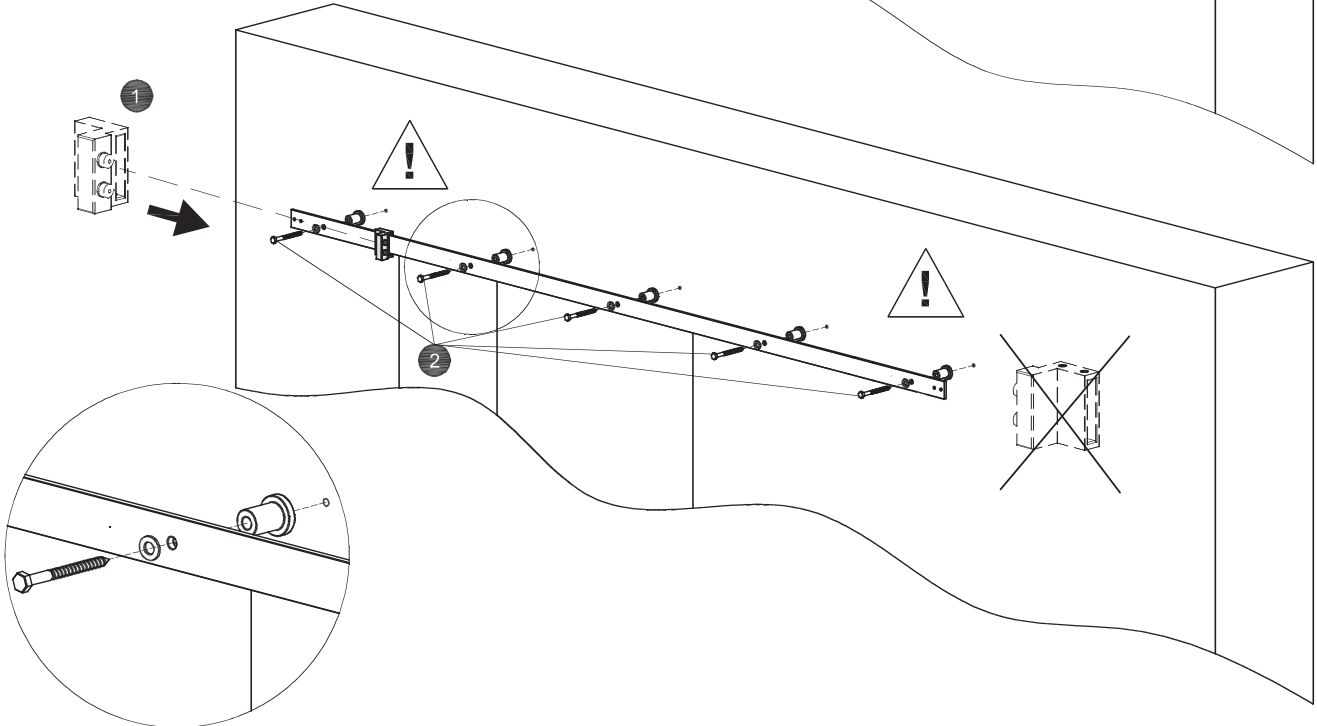


1. $L_0 800 \leq L_0 < 900$

2



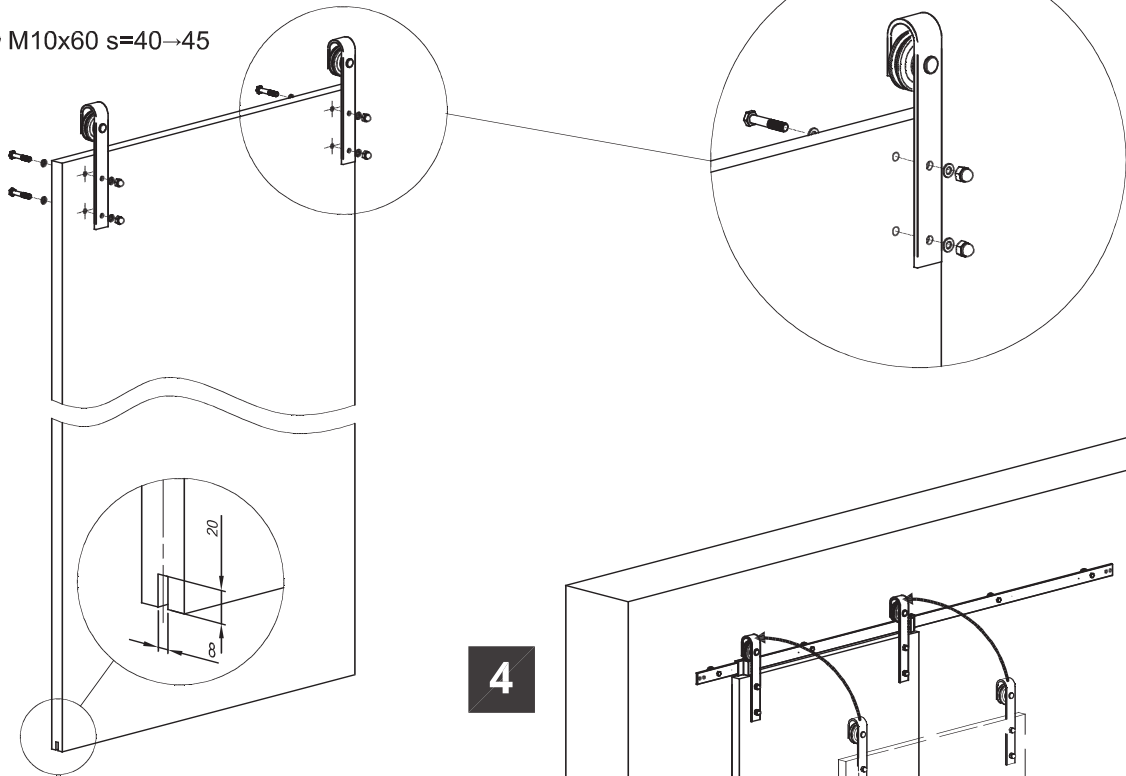
2. $L_0 \geq 900$



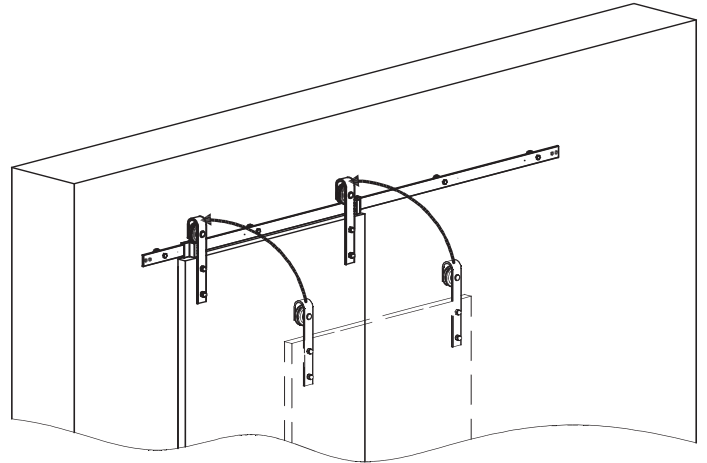
3

1 M10x55 s=35→40

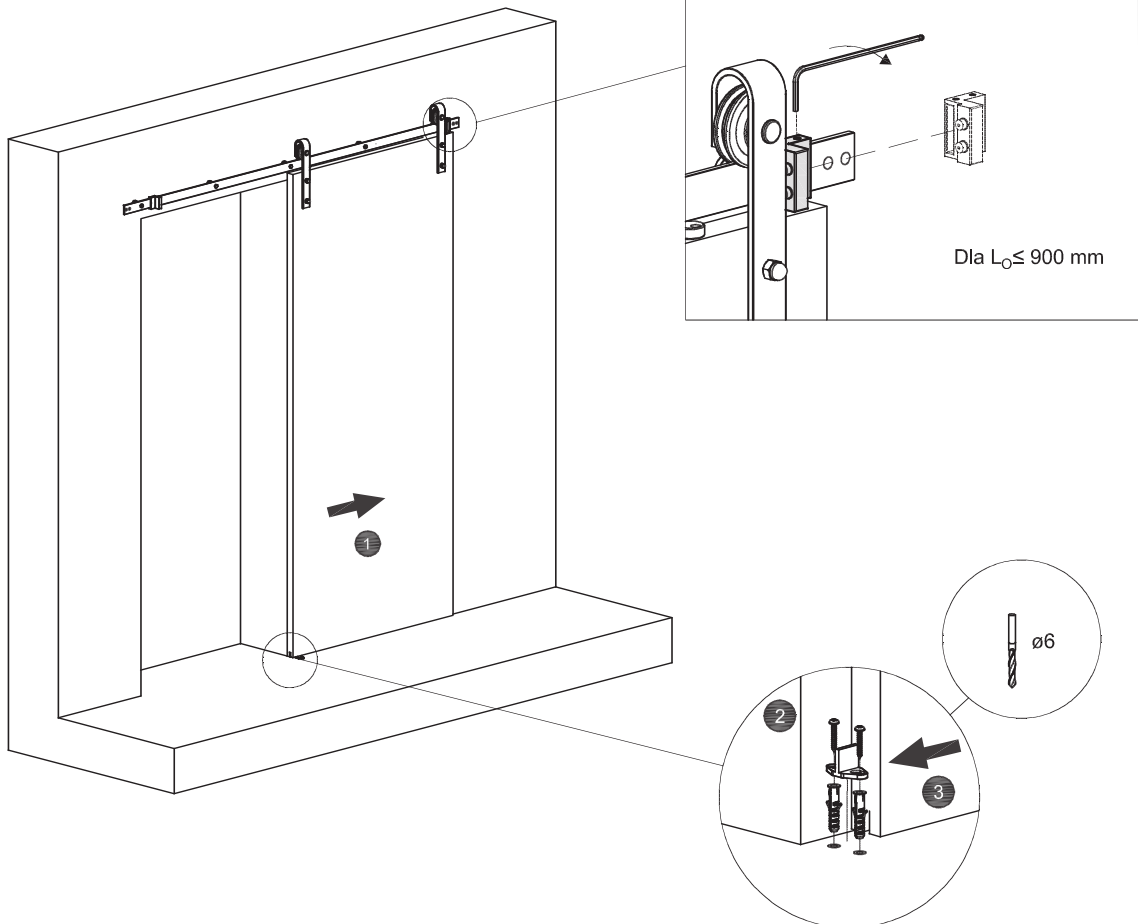
2 M10x60 s=40→45



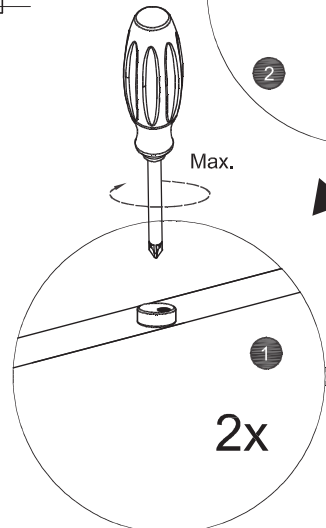
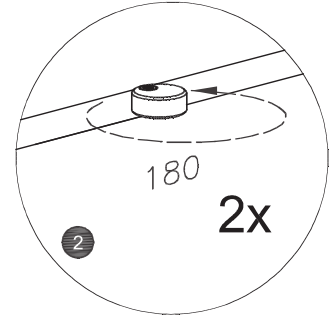
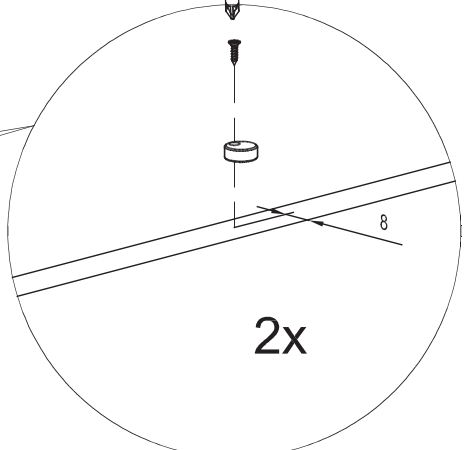
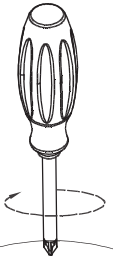
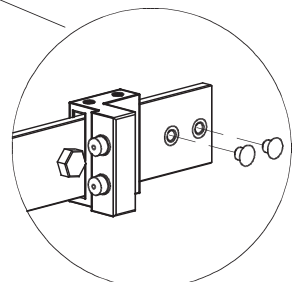
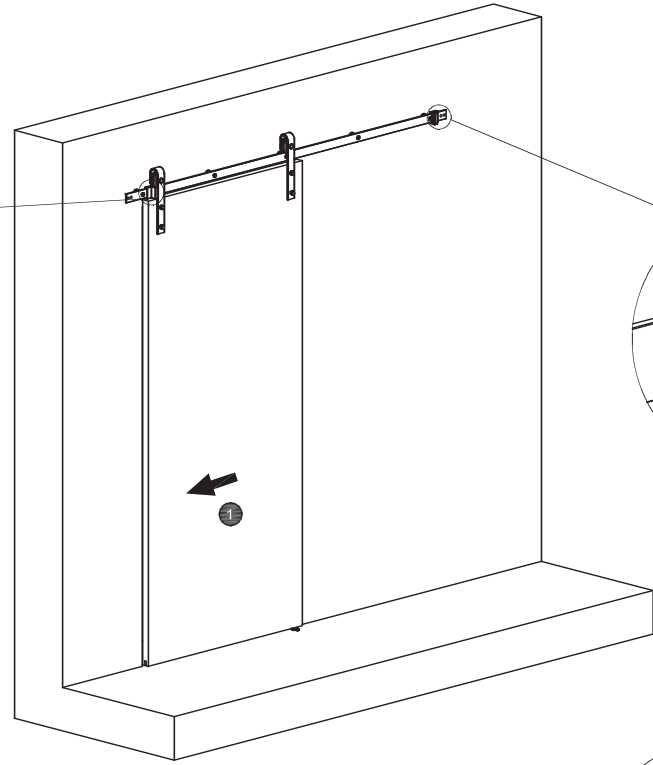
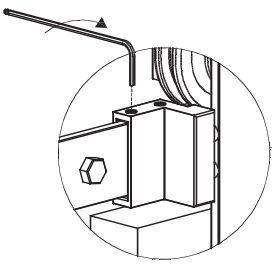
4



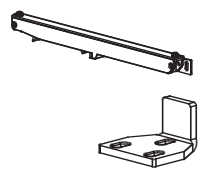
5



6



321-053



7

