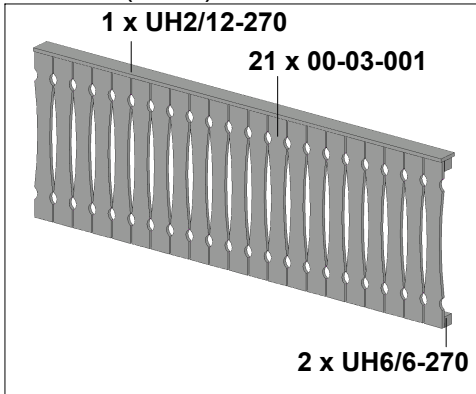


# Brüstung aus Andreaskreuzen für 4-Eck Pavillon

Parapet with St Andrew's cross design for pavillion

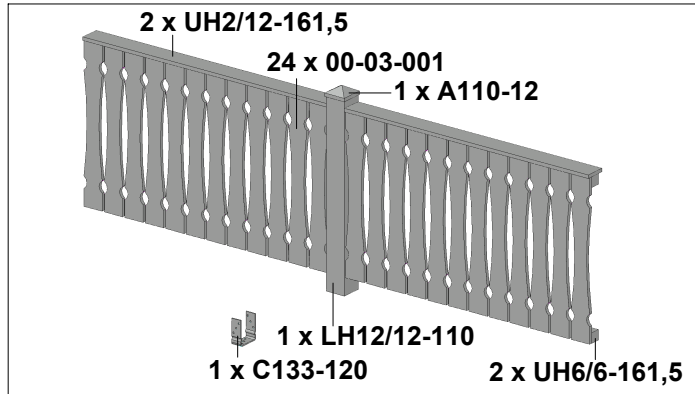


## 210404 (Gr. 1)



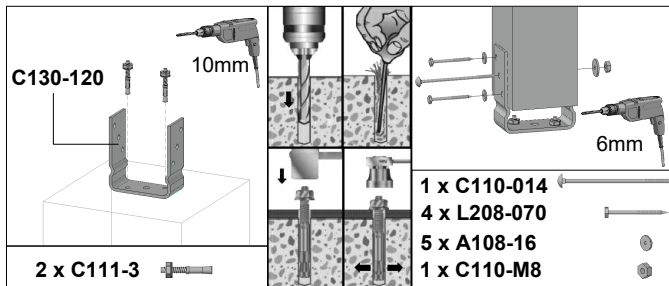
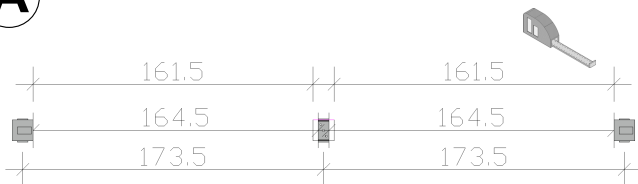
88 x C105-0040  
4 x C105-0100

## 210411 (Gr. 2)

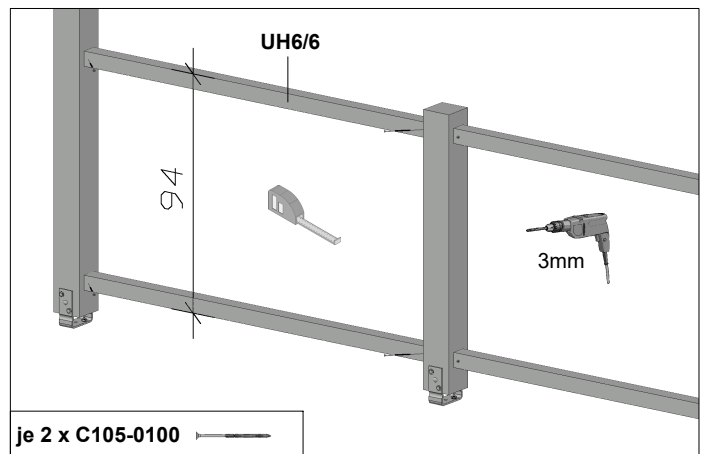


2 x C111-3  
1 x C110-014  
4 x L208-070  
5 x A108-16  
1 x C110-M8  
108 x C105-0040  
16 x C105-0100  
2 x C103-0040

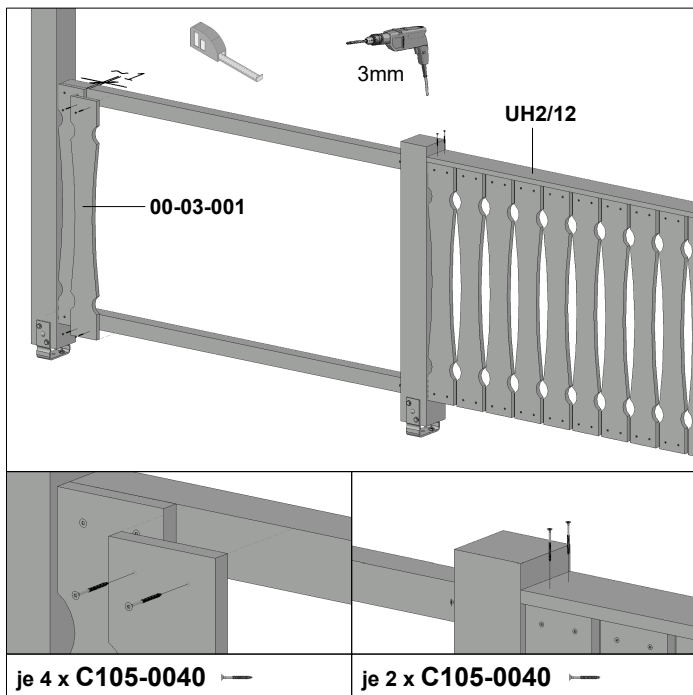
**A**



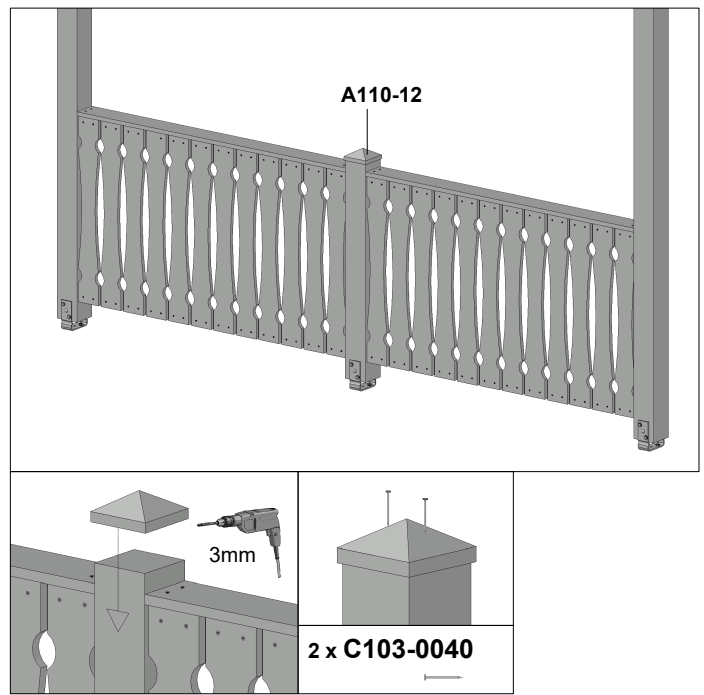
**B**



**C**



**D**

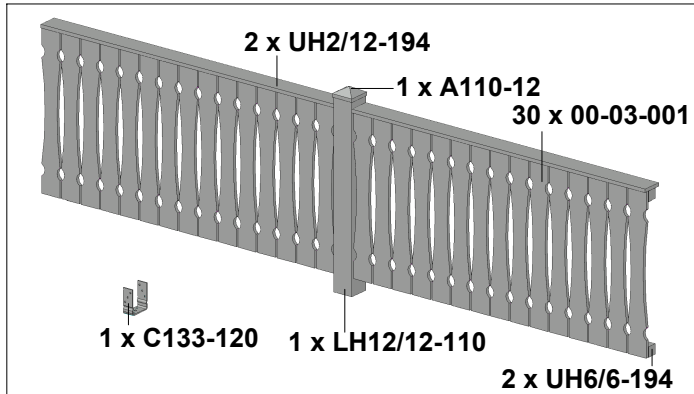


# Brüstung aus Andreaskreuzen für 4-Eck Pavillon

Parapet with St Andrew's cross design for pavillion

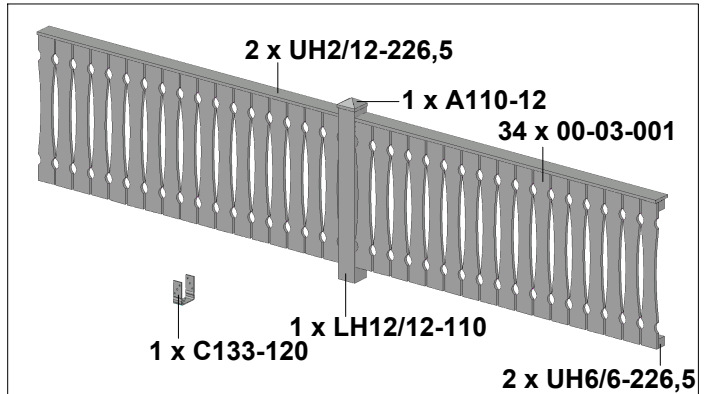


**210428 (Gr. 3)**



- |              |  |                 |  |
|--------------|--|-----------------|--|
| 2 x C111-3   |  | 136 x C105-0040 |  |
| 1 x C110-014 |  | 16 x C105-0100  |  |
| 4 x L208-070 |  | 2 x C103-0040   |  |
| 5 x A108-16  |  |                 |  |
| 1 x C110-M8  |  |                 |  |

**210435 (Gr. 4)**



- |              |  |                 |  |
|--------------|--|-----------------|--|
| 2 x C111-3   |  | 156 x C105-0040 |  |
| 1 x C110-014 |  | 16 x C105-0100  |  |
| 4 x L208-070 |  | 2 x C103-0040   |  |
| 5 x A108-16  |  |                 |  |
| 1 x C110-M8  |  |                 |  |

**A**

2 x C111-3		1 x C110-014		4 x L208-070		5 x A108-16		1 x C110-M8	
------------	--	--------------	--	--------------	--	-------------	--	-------------	--

**B**

je 2 x C105-0100

**C**

je 4 x C105-0040

je 2 x C105-0040

**D**

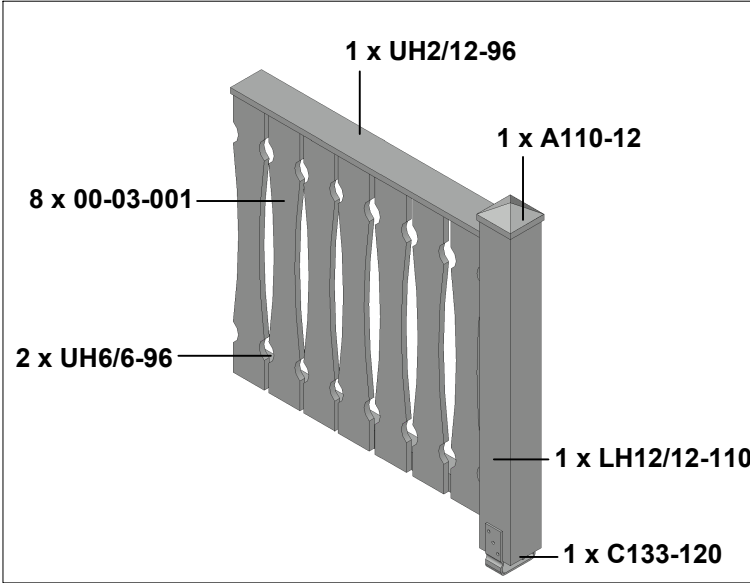
2 x C103-0040

# Brüstung aus Balkonschalung für 4-Eck Pavillon

Parapet with ceiling boards for pavillion

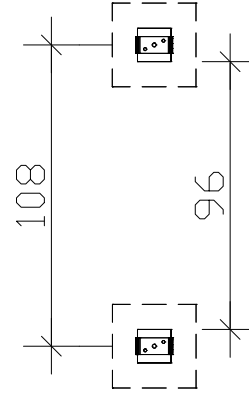


210442

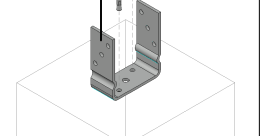


- 8 x C105-0100
- 32 x C105-0040
- 2 x C103-0040

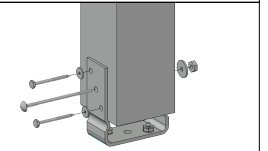
### Pfostenplan / Postsplan



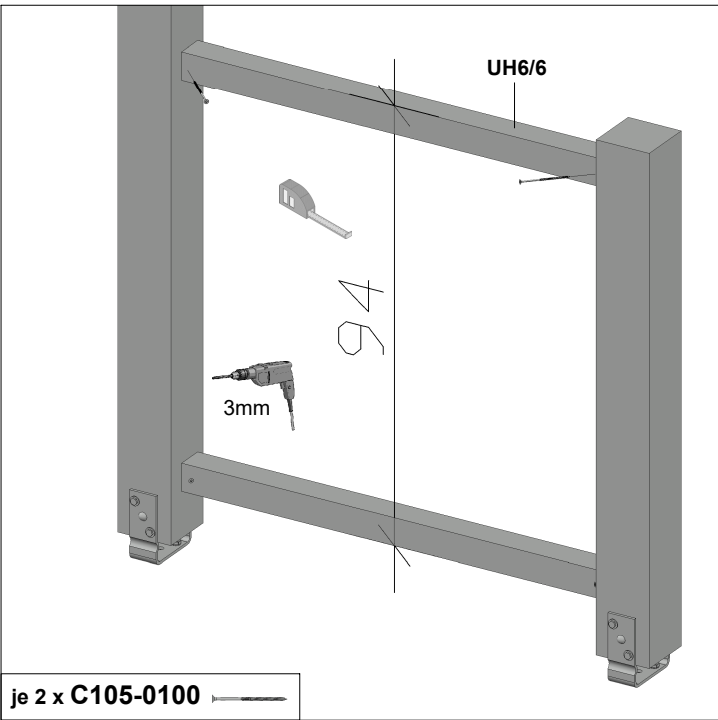
- C133-120



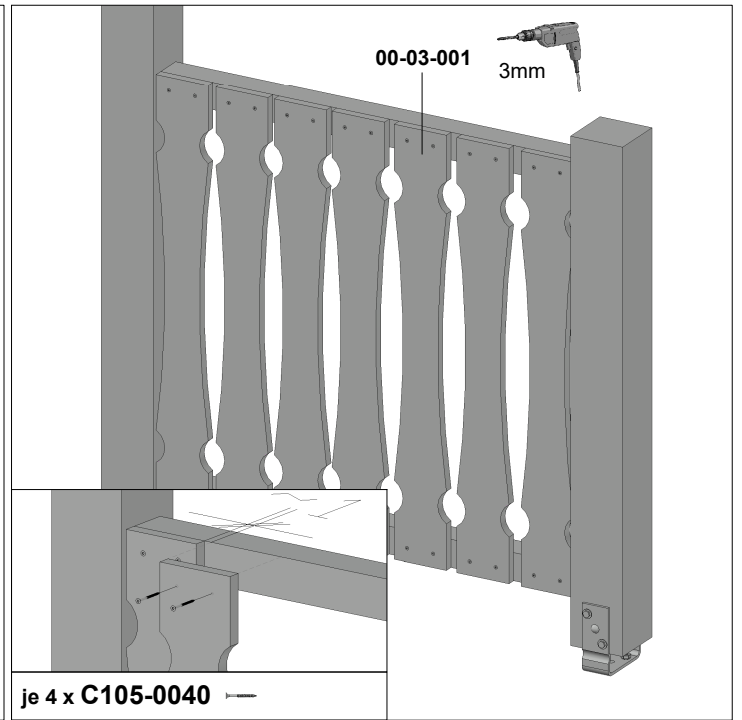
- 2 x C111-3



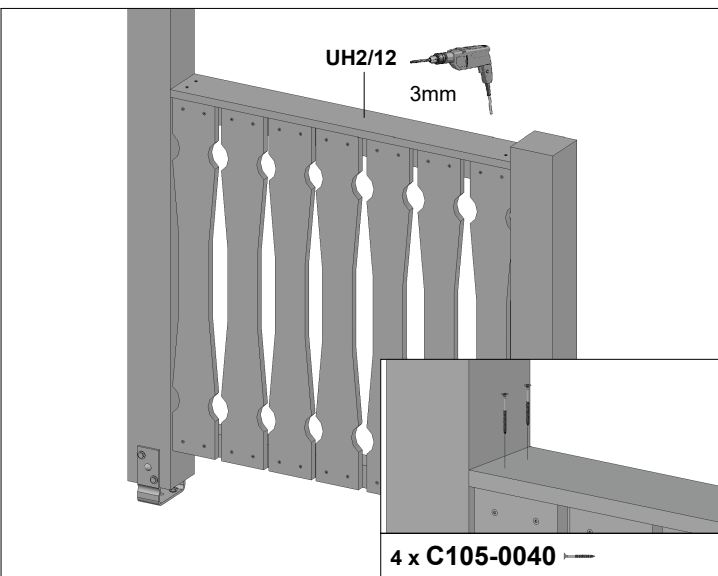
- 1 x C110-014
- 4 x L208-070
- 5 x A108-16
- 1 x C110-M8



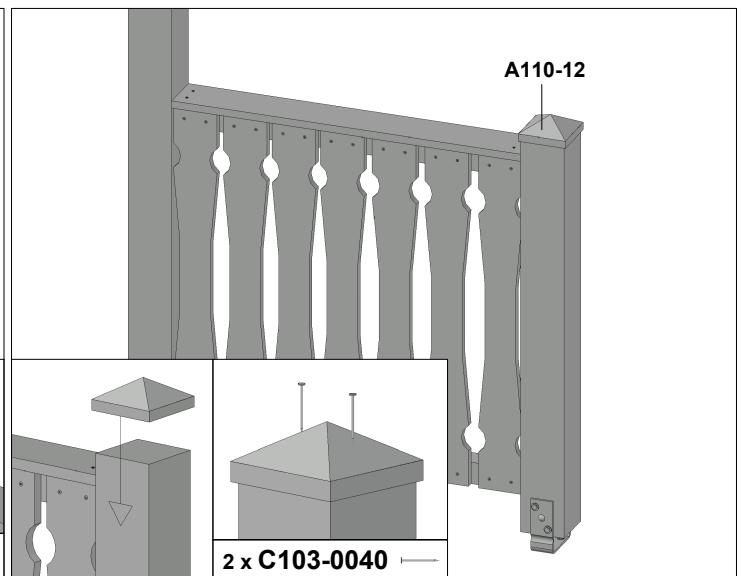
- je 2 x C105-0100



- je 4 x C105-0040



- 4 x C105-0040



- 2 x C103-0040