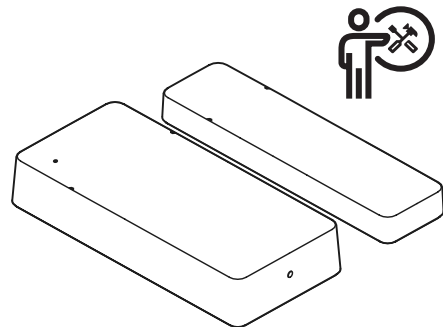


tedee DOOR SENSOR



EN | WARNING: Keep the included CR2032 battery away from reach of children. Swallowing can lead to severe medical risks, including chemical burns, tissue perforation and death. In case of ingestion, seek medical attention immediately.

PL | OSTRZEŻENIE: Trzymaj dołączoną baterię CR2032 poza zasięgiem dzieci. Połknięcie może prowadzić do poważnych zagrożeń zdrowotnych, w tym poparzeń chemicznych, perforacji tkanek i śmierci. W przypadku połknięcia natychmiast zasięgnij pomocy medycznej.

DE | WARNUNG: Halten Sie die mitgelieferte CR2032-Batterie außerhalb der Reichweite von Kindern. Das Verschlucken kann schwerwiegende gesundheitliche Risiken bergen, einschließlich chemischer Verbrennungen,

Gewebep perforationen und Tod. Im Falle einer Verschluckung suchen Sie sofort medizinische Hilfe.

FR | AVERTISSEMENT : Gardez la pile CR2032 incluse hors de portée des enfants. L'ingestion peut entraîner des risques médicaux graves, notamment des brûlures chimiques, des perforations tissulaires et la mort. En cas d'ingestion, consultez un médecin immédiatement.

ES | ADVERTENCIA: Mantenga la pila CR2032 incluida fuera del alcance de los niños. La ingestión puede provocar graves riesgos médicos, como quemaduras químicas, perforación de tejidos y muerte. En caso de ingestión, busque atención médica de inmediato.

IT | AVVERTENZA: Tenere la batteria CR2032 inclusa fuori dalla portata dei bambini. L'ingestione può comportare gravi rischi medici, tra cui ustioni chimiche, perforazioni dei tessuti e morte. In caso di ingestione, rivolgersi immediatamente a un medico.

PT | AVISO: Mantenha a bateria CR2032 incluída fora do alcance das crianças. A

ingestão pode causar graves riscos médicos, incluindo queimaduras químicas, perfuração de tecidos e morte. Em caso de ingestão, procure assistência médica imediatamente.

DA | ADVARSEL: Hold CR2032-batteriet uden for børns rækkevidde. Indtagelse kan føre til alvorlige medicinske risici, herunder kemiske forbrændinger, vævsperforering og død. I tilfælde af indtagelse, søg straks lægehjælp.

NL | WAARSCHUWING: Houd de meegeleverde CR2032-batterij buiten het bereik van kinderen. Instikken kan ernstige gezondheidsrisico's veroorzaken, zoals chemische brandwonden, weefselperforatie en overlijden. Raadpleeg onmiddellijk een arts bij instikken.

SV | VARNING: Håll CR2032-batteriet utom räckhåll för barn. Att svälja kan leda till allvarliga medicinska risker, inklusive kemiska brännskador, vävnadsperforering och dödsfall. Vid förtäring, sök omedelbart medicinsk hjälp.

NO | ADVARSEL: Hold den medfølgende CR2032-batteriet utenfor barns rekkevidde. Inntak kan føre til alvorlige medisinske risikoer, inkludert kjemiske forbrenninger, vevsperforering og død. Ved svelgning, søk medisinsk hjelp umiddelbart.

FI | VAROITUS: Pidä mukana toimitettu CR2032-paristo poissa lasten ulottuvilta. Nieleminen voi aiheuttaa vakavia terveysriskejä, kuten kemiallisia palovammoja, kudoksen puhkeamista ja kuoleman. Jos paristo on nieltty, hakeudu välittömästi lääkäriin hoitoon.

RO | AVERTISMENT: Păstrați bateria CR2032 inclusă departe de copii. Înghițirea poate duce la riscuri medicale grave, inclusiv arsuri chimice, perforarea țesuturilor și deces. În caz de ingerare, solicitați imediat asistență medicală.

BG | ПРЕДУПРЕЖДЕНИЕ: Дръжте включената батерия CR2032 далеч от деца. Поглъщането може да доведе до сериозни медицински рискове, включително химически изгаряния, перфорация на тъканите и смърт. При

поглъщане незабавно потърсете медицинска помощ.

EL | ΠΡΟΕΙΔΟΠΟΙΗΣΗ: Κρατήστε την περιλαμβανόμενη μπαταρία CR2032 μακριά από παιδιά. Η κατάποση μπορεί να οδηγήσει σε σοβαρούς ιατρικούς κινδύνους, όπως χημικά εγκαύματα, διάτρηση ιστών και θάνατο. Σε περίπτωση κατάποσης, αναζητήστε αμέσως ιατρική βοήθεια.

HR | UPOZORENJE: Držite priloženu CR2032 bateriju izvan dosega djece. Gutanje može dovesti do ozbiljnih zdravstvenih rizika, uključujući kemijske opekline, perforaciju tkiva i smrt. U slučaju gutanja, odmah potražite liječničku pomoć.

HU | FIGYELMEZTETÉS: Tartsa távol a mellékelt CR2032 elemet a gyermekektől. A lenyelés súlyos egészségügyi kockázatokkal járhat, beleértve a kémiai égéseket, a szövet perforációját és a halált. Lenyelés esetén azonnal forduljon orvoshoz.

RU | ПРЕДУПРЕЖДЕНИЕ: Держите прилагаемую батарею CR2032 вне

доступности детей. Проглатывание может привести к серьезным медицинским рискам, включая химические ожоги, перфорацию тканей и смерть. В случае проглатывания немедленно обратитесь за медицинской помощью.

JP | 警告: 付属のCR2032電池を子供の手の届かない場所に保管してください。誤って飲み込むと、化学熱傷、組織穿孔、死亡を含む深刻な健康リスクを引き起こす可能性があります。万が一飲み込んだ場合は、直ちに医師の診察を受けてください。



support@tedee.com



www.tedee.com/support



(+48) 22 307 72 67
8.00 - 16.00 (CET)



Tedee Sp. z o. o.
Karola Bohdanowicza 21/57
02-127 Warszawa
Polska

The Bluetooth® word mark and logos are registered trademarks owned by Bluetooth SIG, Inc. and any use of such marks by Tedee Sp. z o.o. is under license. Other trademarks and trade names are those of their respective owners.

Google, Android and Google Play are trademarks of Google LLC.

Apple and App Store are trademarks of Apple Inc. iOS is a trademark or registered trademark of Cisco in the U.S. and other countries and is used under license.



FR

Cet appareil, ses piles et cordons se recyclent

À DÉPOSER EN MAGASIN



À DÉPOSER EN DÉCHÈTERIE



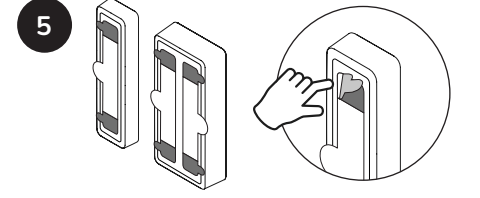
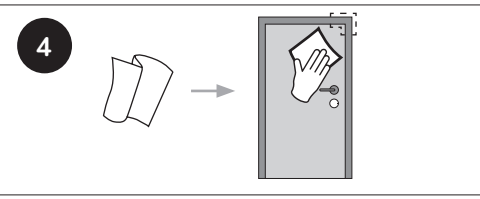
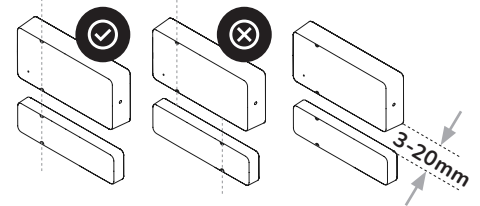
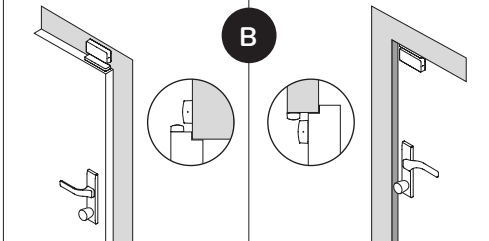
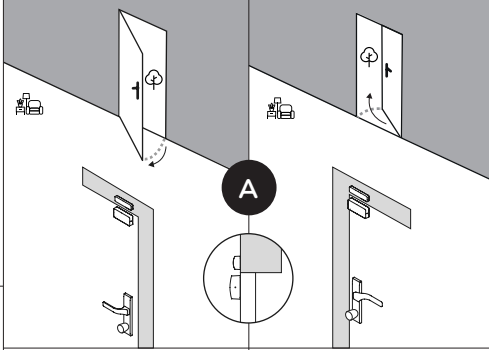
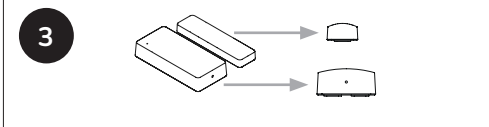
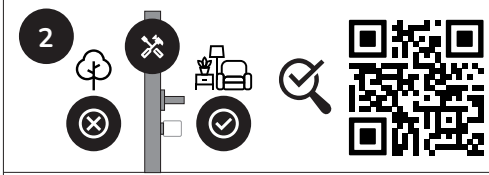
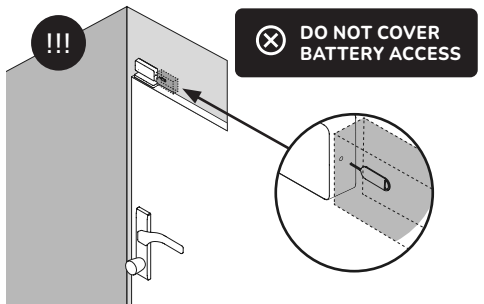
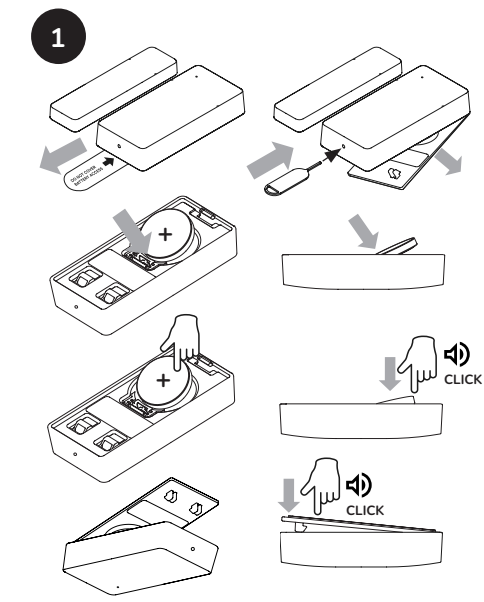
Points de collecte sur www.quefairedemesdechets.fr



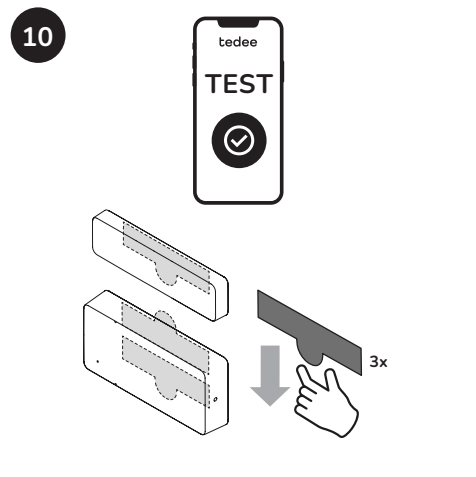
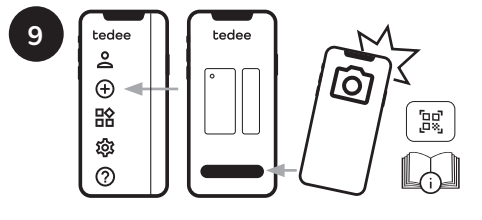
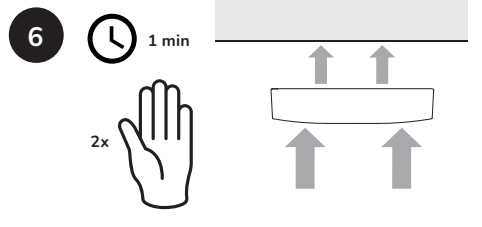
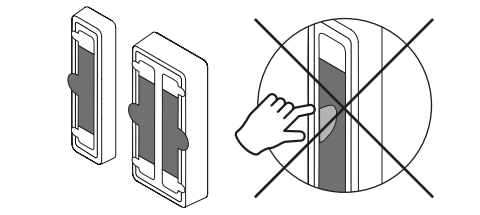
Bluetooth®

Rev4

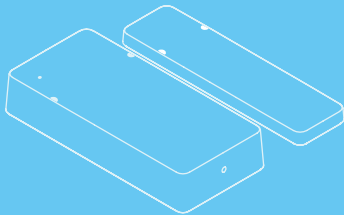




!!! TEST BEFORE FINAL INSTALLATION



tedee DOOR SENSOR



-  Safety information
-  Informacje o bezpieczeństwie
-  Sicherheitsinformationen
-  Considérations sur la sécurité
-  Información de seguridad
-  Informazioni sulla sicurezza
-  Informação de segurança
-  Sikkerhedsoplysninger
-  Veiligheidsinformatie
-  Säkerhetsinformation
-  Sikkerhetsinformasjon
-  Turvallisuustietoja
-  Informații siguranță
-  Предпазни мерки
-  πληροφορίες ασφάλειας
-  Sigurnosne informacije
-  Biztonsági információk
-  Інформація з техніки безпеки
-  Техника безопасности
-  Ohutusalane teave
-  Saugos informacija
-  Drošības informācija
-  Bezpečnostní informace
-  Bezpečnostné informácie
-  Varnostne informacije
-  Faisnéis sábháilteachta
-  Informazzjoni dwar is-sigurtà

tedee DOOR SENSOR



EN: SAFETY INFORMATION	2	EL: ΠΛΗΡΟΦΟΡΙΕΣ ΑΣΦΑΛΕΙΑΣ	43
PL: INFORMACJE O BEZPIECZEŃSTWIE	6	HR: SIGURNOSNE INFORMACIJE	47
DE: SICHERHEITSINFORMATIONEN	8	HU: BIZTONSÁGI INFORMÁCIÓK	49
FR: CONSIDÉRATIONS SUR LA SÉCURITÉ	11	UA: ІНФОРМАЦІЯ З ТЕХНІКИ БЕЗПЕКИ	52
ES: INFORMACIÓN DE SEGURIDAD	14	RU: ТЕХНИКА БЕЗОПАСНОСТИ	55
IT: INFORMAZIONI SULLA SICUREZZA	17	ET: OHUTUSALANE TEAVE	59
PT: INFORMAÇÃO DE SEGURANÇA	20	LT: SAUGOS INFORMACIJA	61
DK: SIKKERHEDSOPLYSNINGER	23	LV: DROŠĪBAS INFORMĀCIJA	64
NL: VEILIGHEIDSINFORMATIE	26	CS: BEZPEČNOSTNÍ INFORMACE	67
SV: SÄKERHETSINFORMATION	29	SK: BEZPEČNOSTNÉ INFORMÁCIE	70
NO: SIKKERHETSINFORMASJON	32	SL: VARNOSTNE INFORMACIJE	73
FI: TURVALLISUUSTIETOJA	34	GA: FAISNÉIS SÁBHÁILTEACHTA	75
RO: INFORMAȚII SIGURANȚĂ	37	MT: INFORMAZZJONI DWAR IS-SIGURTÀ	78
BG: ПРЕДПАЗНИ МЕРКИ	40		

EN: SAFETY INFORMATION

WARNING: Read all safety guidelines and warnings provided below. Failure to follow them may result in electric shock, fire, and / or serious injury. Keep these instructions for future use. To access the latest, most up-to-date version of these instructions visit: <https://tedee.com/get-support/>

BATTERY SAFETY GUIDELINES / WARNINGS

Battery-powered Tedee Door Sensor set includes a single non-rechargeable and non-user-serviceable CR2032 battery.

 WARNING	
<ul style="list-style-type: none">• INGESTION HAZARD: This product contains a button cell or coin battery.• DEATH or serious injury can occur if ingested.• A swallowed button cell or coin battery can cause Internal Chemical Burns in as little as 2 hours.• KEEP new and used batteries OUT OF REACH OF CHILDREN.• Seek immediate medical attention if a battery is suspected to be swallowed or inserted inside any part of the body.	

RECOMMENDED BATTERIES

To power your Tedee Door Sensor, you need to use 1 CR2032 battery. We only allow the use of 3V.

WARNING: Risk of permanent damage to the device and warranty loss if batteries with an operating voltage exceeding 3,3V are installed!

DO NOT

- Do not charge non-rechargeable battery. Non-rechargeable batteries are not to be recharged
- Do not mix old and new batteries, different brands or types of batteries, such as alkaline, carbon-zinc, or rechargeable batteries
- Do not disassemble, puncture, modify, drop, throw, or cause other unnecessary shocks to battery.
- Do not leave or store battery in hot places such as near an oven, stove, direct sunlight or other heat source.
- Do not place the battery into a microwave oven, or into any other high-pressure container.
- Do not immerse battery in liquids or allow them to come into contact with liquids.
- Do not short circuit battery.
- Do not use battery that appears to be leaking, discolored, rusty, deformed; emits an odor; or is otherwise abnormal.
- Do not touch leaking battery.
- Do not continue to charge battery longer than the specified time.
- Do NOT dispose of the batteries, devices and its accessories in household trash or incinerate. If possible, recycle and segregate according to your local regulations
- Keep the battery away from children under the age of 3. If swallowed, contact your local medical help immediately.

DO

- Do ensure the batteries are installed correctly according to polarity (+ and -). Do not reverse battery polarity.
- Do store batteries in a cool, dry place at normal room temperature.

- Do remove and immediately recycle or dispose of used batteries according to local regulations and keep away from children
- Do remove and immediately recycle or dispose of batteries from equipment not used for an extended period of time according to local regulations
- Use the included batteries at an operating temperature of -20 to +54°C, and store them at a temperature of -30 to +45°C. Exceeding these ranges may result in damage, loss of properties, leakage, or explosion of the battery. The above temperature ranges may vary depending on the battery manufacturer.
- Do always completely secure the battery compartment. If the battery compartment does not close securely, stop using the product, remove the batteries, and keep them away from children

OTHER INFORMATION

- Even used batteries may cause severe injury or death
- Call a local poison control center for treatment information
- Do not force discharge, recharge, disassemble, heat above 158°F or incinerate. Doing so may result in injury due to venting, leakage or explosion resulting in chemical burns
- This device is safe to use under normal and reasonably foreseeable misuse operating code of conduct. If you notice any signs of errors or hardware malfunction, contact tedee technical support for help. In such case this device should be returned to tedee for necessary repairs under the warranty conditions. Any changes or modifications to the device's hardware or software which are not approved, recommended, or provided by tedee may void your warranty.
- This device requires power source and Bluetooth(R) connection for proper operation and may require an Internet connection to use some of its features. The manufacturer is not responsible for potential room access problems resulting from lack of internet access or failure or exhaustion of the power source.
- This device is not intended for use as part of a home security system. The manufacturer does not declare any anti-burglary properties or attestations, certificates or classes of anti-burglary protection for the device. The

manufacturer shall not be liable for any potential damage/injury sustained due to theft, burglary or intrusion resulting from damage, overcoming or unauthorized gaining control of the device.

- This device may require the purchase of additional products to enable some of its features. If in doubt, please contact tedee support.
- Neither Tedee Sp. z o.o., nor our retailers are responsible for failure to comply with the above warnings and safety guidelines. By purchasing this device, the buyer acknowledges all risks associated with the use of tedee equipment. If you do not agree to these terms, return the device to the manufacturer or distributor before use.

MAINTENANCE

- Remove the battery from the device before cleaning. Do not use any lubricants, cleaning agents, polishes or air fresheners on any part of the device. Wipe it with a dry cloth only.
- If the device housing is found to be worn to the extent that the integrity of the housing is compromised, contact tedee technical support.

TECHNICAL INFORMATION

Technical specifications

Model: TDSV1.0

Power supply: 1 CR2032 battery

Bluetooth® communication: BLE 5.2 2.4GHz

Dimensions: 30 x 64 x 14 mm (the sensor), 17 x 64 x 7 mm (the magnet)

Operating temperature: from 5° C to 50° C

Frequency range: from 2.4GHz to 2.483GHz

Maximum output power: 8dBm

Operating humidity: maximum 95%

Recommended setup: max. 2 meters from tedee lock max. 2 meters from tedee bridge

Battery technical specifications

Manufacturer's name and address: as shown on the battery packaging
Category and ID: as shown on the battery housing
Place of manufacture: as shown on the battery packaging
Weight: ~ 2.90g
Capacity: ~2230mAh
Chemical composition: lithium (100%)
Hazardous substances other than mercury, cadmium or lead: N/A
Fire extinguishing agent: sodium chloride (NaCl), Ternary Eutectic Chloride (TEC)
Critical raw materials present in the battery over 0.1%: N/A

LEGAL / ENVIRONMENTAL NOTES

EU Declaration of Conformity

Tedee Sp. z o.o. hereby declares that the Tedee Door Sensor TDSV1.0 radio device is in accordance with Directive 2014/53/EU. The full text of the EU Declaration of Conformity is available at the following internet address: www.tedee.com/compliance.

WEEE / RoHS

To prevent potential negative impact on the environment, consult your local laws and regulations for the proper disposal of electronic devices and batteries in your country. Disposal of batteries – if your tedee device contains batteries, do not dispose of them with regular household waste. Hand them over to an appropriate recycling facility or a collection point. Batteries used in tedee devices do not contain mercury, cadmium, or lead above the levels specified in 2006/66/EC Directive. Disposal of electronics - do not dispose your tedee device with regular household waste. Hand it over to an appropriate recycling facility or a collection point.

Bluetooth®

The Bluetooth® word mark and logos are owned by the Bluetooth SIG, Inc. and any use of such marks by Tedee Sp. z o.o. is under licence. Other trademarks and trade names are those of their respective owners.

Google, Android and Google Play are trademarks of Google LLC.

Apple and App Store are trademarks of Apple Inc.
iOS is a trademark or registered trademark of Cisco in the U.S. and other countries and is used under license.

UKCA Declaration of Conformity

Manufacturer (Tedee Sp. z o. o., K. Bohdanowicza 21/57, 02-127 Warsaw, Poland) hereby declares that the Tedee Door Sensor (TDSV1.0) radio device is in accordance with The UK Electrical Equipment (Safety) Regulations 2016, The UK Electromagnetic Compatibility Regulations 2016 and The UK Radio Equipment Regulations 2017. The full text of the UKCA Declaration of Conformity is available at the following internet address: www.tedee.com/compliance.

PSTI Cybersecurity Statement of Compliance:

Manufacturer (Tedee Sp. z o. o., K. Bohdanowicza 21/57, 02-127 Warsaw, Poland) hereby declares that, in manufacturer's opinion, this Tedee Door Sensor (TDSV1.0) with the defined support period of December 31, 2027 complies with the security requirements of Schedule 2 of the UK Product Security and Telecommunications Infrastructure Regulations 2023. The full text of the UKCA Declaration of Conformity is available at the following internet address: www.tedee.com/compliance.

FCC

This device complies with Part 15 of the FCC Rules. Operation is subject to the following two conditions:

- (1) This device may not cause harmful interference, and
- (2) This device must accept any interference received, including interference that may cause undesired operation.

Any change or modification to the product not expressly approved by Tedee Sp. z o. o. could void the user's authority to operate the device.

This equipment complies with FCC radiation exposure limits set forth for an occupational/controlled environment.

US General Certificate of Conformity

This device complies with the 2022 Reese's Law (P.L. 117-171), 16 CFR part 1263.3, 16 CFR part 1263.4 and the ANSI/UL 4200A-2023 Standard for Safety for Products Incorporating Button Batteries or Coin Cell Batteries. The full text of the US General Certificate of Conformity is available at the following internet address: www.tedee.com/compliance.

ISED:

This device contains licence-exempt transmitter(s)/receiver(s) that comply with Innovation, Science and Economic Development Canada's licence-exempt RSS(s).

Operation is subject to the following two conditions:

- (1) This device may not cause interference.
- (2) This device must accept any interference, including interference that may cause undesired operation of the device. This equipment complies with RSS-102 radiation exposure limits set forth for an occupational/controlled environment.

ISED:

L'émetteur/récepteur exempt de licence contenu dans le présent appareil est

conforme aux CNR d'Innovation, Sciences et Développement économique Canada applicables aux appareils radio exempts de licence. L'exploitation est autorisée aux deux conditions suivantes:

- (1) L'appareil ne doit pas produire de brouillage;
- (2) L'appareil doit accepter tout brouillage radioélectrique subi, même si le brouillage est susceptible d'en compromettre le fonctionnement.

Cet équipement est conforme aux limites d'exposition aux rayonnements RSS-102 établies pour un environnement professionnel/contrôlé.



RCM: This product is compliant with the Australian Radiocommunications Equipment (General) Rules 2021 and Radiocommunications Labelling (Electromagnetic Compatibility) Notice 2017.

WARRANTY

Tedee limited hardware warranty

Tedee Sp. z o. o. warrants that Tedee devices are free from hardware defects in materials and workmanship for the period of not less than 2 years from the date of the first retail purchase. Tedee Sp. z o. o. does not take responsibility for the misuse of devices (including methods of charging other than described in this manual), especially if any changes or modifications to the device hardware or software which are not approved, recommended, or provided by Tedee, have been undertaken by the user. Full warranty information is available at the following link: www.tedee.com/warranty, at the address of the manufacturer's headquarters indicated on the packaging, and at support@tedee.com.

tedee® is a registered trademark of Tedee Sp. z o. o. Copyright (C) 2022. All rights reserved.

PL: INFORMACJE O BEZPIECZEŃSTWIE

OSTRZEŻENIE: Przeczytaj wszystkie poniższe wytyczne i ostrzeżenia dotyczące bezpieczeństwa. Nieprzestrzeganie ich może skutkować porażeniem prądem elektrycznym, pożarem i/lub poważnymi obrażeniami. Zachowaj te instrukcje do przyszłego użytku. Aby uzyskać najnowszą wersję tych instrukcji, odwiedź: <https://tedee.com/get-support/>.

WYTYCZNE / OSTRZEŻENIA DOTYCZĄCE BEZPIECZEŃSTWA BATERII

Zasilany baterią zestaw Tedee Door Sensor zawiera pojedynczą, niewymienialną i niemożliwą do ponownego naładowania baterię CR2032.

OSTRZEŻENIE

- **RYZYKO POŁKNIECIA:** Produkt zawiera baterię pastylkową lub guzikową.
- **ŚMIERĆ** lub poważne obrażenia mogą wystąpić w przypadku połknięcia.
- Połknięta bateria pastylkowa lub guzikowa może spowodować wewnętrzne oparzenia chemiczne w czasie zaledwie 2 godzin.
- **TRZYMAJ** nowe i używane baterie **POZA ZASIĘGIEM DZIECI**.
- Niezwłocznie zgłoś się po pomoc medyczną, jeśli podejrzewasz połknięcie baterii lub umieszczenie jej w jakiegokolwiek części ciała.

ZALECANE BATERIE

Aby zasilic Tedee Door Sensor, należy używac jednej baterii CR2032 o napięciu 3V.

OSTRZEŻENIE: Ryzyko trwałego uszkodzenia urządzenia i utraty gwarancji w przypadku instalacji baterii o napięciu roboczym przekraczającym 3,3V!

NIE WOLNO:

- Nie ładuj baterii, która nie jest przeznaczona do ponownego ładowania.
- Nie mieszaj starych i nowych baterii, różnych marek lub typów, takich jak

alkaliczne, cynkowo-węglowe czy akumulatory.

- Nie demontuj, nie przekuwaj, nie modyfikuj, nie upuszczaj, nie rzucaj ani nie narażaj baterii na inne wstrząsy.
- Nie przechowuj baterii w gorących miejscach, takich jak piekarnik, kuchenka, bezpośrednie światło słoneczne lub inne źródła ciepła.
- Nie umieszczaj baterii w kuchenke mikrofalowej ani w żadnym innym pojemniku wysokociśnieniowym.
- Nie zanurzaj baterii w cieczach ani nie pozwalaj na kontakt z cieczami.
- Nie powoduj zwarcia baterii.
- Nie używaj baterii, która wycieka, ma przebarwienia, jest zardzewiała, zdeformowana, wydziela zapach lub jest w inny sposób nieprawidłowa.
- Nie dotykaj wyciekającej baterii.
- Nie kontynuuj ładowania baterii dłużej niż określony czas.
- Nie wyrzucaj baterii, urządzeń ani akcesoriów do domowego kosza na śmieci. Poddaj je recyklingowi zgodnie z lokalnymi przepisami.
- Trzymaj baterię z dala od dzieci poniżej 3 roku życia. Jeśli zostanie połknięta, natychmiast skontaktuj się z lokalną pomocą medyczną.

ZALECENIA:

- Upewnij się, że baterie są zainstalowane poprawnie zgodnie z biegunowością (+ i -).
- Przechowuj baterie w chłodnym, suchym miejscu w temperaturze pokojowej.
- Natychmiast usuń i poddaj recyklingowi zużyte baterie zgodnie z lokalnymi przepisami.
- Używaj dołączonych baterii w temperaturze pracy od -20°C do +54°C i przechowuj je w temperaturze od -30°C do +45°C.

DODATKOWE INFORMACJE

- Nawet zużyte baterie mogą powodować poważne obrażenia lub śmierć.
- Skontaktuj się z lokalnym centrum kontroli zatruc, aby uzyskać informacje o leczeniu.

- Nie wymuszaj rozładowania, nie ładuj, nie demontuj, nie podgrzewaj powyżej 70°C ani nie spalaj baterii. Może to spowodować obrażenia w wyniku ulatniania się gazów, wycieku lub eksplozji prowadzącej do oparzeń chemicznych.
- Urządzenie jest bezpieczne w użyciu w normalnych i przewidywalnych warunkach. Jeśli zauważysz jakiegokolwiek błędy lub nieprawidłowości w działaniu urządzenia, skontaktuj się z pomocą techniczną Tedee. W takim przypadku urządzenie należy zwrócić do Tedee w celu wykonania niezbędnych napraw zgodnie z warunkami gwarancji. Wszelkie zmiany lub modyfikacje sprzętu lub oprogramowania, które nie zostały zatwierdzone, zalecane lub dostarczone przez Tedee, mogą unieważnić gwarancję.
- Urządzenie wymaga źródła zasilania i połączenia Bluetooth® do prawidłowego działania i może wymagać połączenia z internetem w celu korzystania z niektórych funkcji. Producent nie ponosi odpowiedzialności za problemy z dostępem do pomieszczenia wynikające z braku połączenia internetowego, awarii lub wyczerpania źródła zasilania.
- Urządzenie nie jest przeznaczone do stosowania jako element systemu bezpieczeństwa domowego. Producent nie deklaruje żadnych właściwości antywłamaniowych ani nie posiada certyfikatów, atestów lub klas ochrony antywłamaniowej dla tego urządzenia. Producent nie ponosi odpowiedzialności za ewentualne szkody lub obrażenia wynikające z kradzieży, włamania lub wtargnięcia.
- Urządzenie może wymagać zakupu dodatkowych produktów w celu aktywacji niektórych funkcji. W razie wątpliwości skontaktuj się z pomocą techniczną Tedee.
- Ani Tedee Sp. z o.o., ani nasi dystrybutorzy nie ponoszą odpowiedzialności za nieprzestrzeżenie powyższych ostrzeżeń i wytycznych dotyczących bezpieczeństwa. Kupując to urządzenie, nabywca akceptuje wszystkie ryzyka związane z użytkowaniem sprzętu Tedee. Jeśli nie zgadzasz się z tymi warunkami, zwróć urządzenie do producenta lub dystrybutora przed jego użyciem.

KONSERWACJA

- Wyjmij baterię z urządzenia przed czyszczeniem. Nie używaj żadnych smarów, środków czyszczących, past ani odświeżaczy powietrza na żadnej części urządzenia. Przetrzyj je wyłącznie suchą ściereczką.
- Jeśli obudowa urządzenia jest zużyta w stopniu, który zagraża jej integralności, skontaktuj się z pomocą techniczną Tedee.

DANE TECHNICZNE

Specyfikacja techniczna urządzenia

Model: TDSV1.0

Zasilanie: 1 bateria CR2032

Komunikacja Bluetooth®: BLE 5.2 2.4GHz

Wymiary: 30 x 64 x 14 mm (czujnik), 17 x 64 x 7 mm (magnes)

Temperatura pracy: od 5°C do 50°C

Zakres częstotliwości: od 2.4GHz do 2.483GHz

Maksymalna moc wyjściowa: 8dBm

Wilgotność pracy: maksymalnie 95%

Zalecana konfiguracja: max. 2 metry od zamka Tedee, max. 2 metry od mostka Tedee

Specyfikacja techniczna baterii

Nazwa i adres producenta: podane na opakowaniu baterii

Kategoria i identyfikator: podane na obudowie baterii

Miejsce produkcji: podane na opakowaniu baterii

Waga: ~2,90 g

Pojemność: ~2230mAh

Skład chemiczny: lit (100%)

Substancje niebezpieczne inne niż rtęć, kadm lub ołów: brak

Środek gaśniczy: chlorek sodu (NaCl), chlorek eutektyczny (TEC)

Krytyczne surowce w stężeniu powyżej 0,1%: brak

INFORMACJE PRAWNE / ŚRODOWISKOWE

Deklaracja Zgodności UE

Tedee Sp. z o.o. niniejszym oświadcza, że urządzenie radiowe Tedee Door Sensor TDSV1.0 jest zgodne z Dyrektywą 2014/53/UE. Pełny tekst Deklaracji Zgodności UE jest dostępny pod następującym adresem internetowym: www.tedee.com/compliance.

WEEE / RoHS

Aby zapobiec potencjalnemu negatywnemu wpływowi na środowisko, prosimy o zapoznanie się z lokalnymi przepisami dotyczącymi prawidłowej utylizacji urządzeń elektronicznych i baterii w Twoim kraju. Utylizacja baterii – jeśli urządzenie Tedee zawiera baterie, nie wyrzucaj ich do zwykłych odpadów komunalnych. Oddaj je do odpowiedniego punktu recyklingu lub zbiórki.

Baterie stosowane w urządzeniach Tedee nie zawierają rtęci, kadmu ani ołowiu powyżej poziomów określonych w Dyrektywie 2006/66/WE.

Utylizacja urządzeń elektronicznych – nie wyrzucaj urządzenia Tedee do zwykłych odpadów komunalnych. Oddaj je do odpowiedniego punktu recyklingu lub zbiórki.

Bluetooth®

Znaki słowne i logo Bluetooth® są własnością Bluetooth SIG, Inc., a wszelkie użycie tych znaków przez Tedee Sp. z o.o. odbywa się na licencji. Inne znaki towarowe i nazwy handlowe należą do ich odpowiednich właścicieli.

Google, Android i Google Play są znakami towarowymi Google LLC.

Apple i App Store są znakami towarowymi Apple Inc. iOS jest znakiem towarowym lub zarejestrowanym znakiem towarowym Cisco w Stanach Zjednoczonych i innych krajach i jest używany na podstawie licencji.

GWARANCJA

Ograniczona gwarancja sprzętowa Tedee

Tedee Sp. z o. o. gwarantuje, że urządzenia Tedee są wolne od wad materiałowych i produkcyjnych przez okres nie krótszy niż 2 lata od daty pierwszego zakupu detalicznego. Tedee Sp. z o. o. nie ponosi odpowiedzialności za niewłaściwe użytkowanie urządzeń (w tym metody ładowania inne niż opisane w niniejszej instrukcji), w szczególności w przypadku dokonania przez użytkownika jakichkolwiek zmian lub modyfikacji sprzętu lub oprogramowania urządzenia, które nie zostały zatwierdzone, zalecane lub dostarczone przez Tedee. Pełne informacje dotyczące gwarancji są dostępne pod następującym linkiem: www.tedee.com/warranty, pod adresem siedziby producenta wskazanym na opakowaniu oraz pod adresem support@tedee.com.

tedee® jest zastrzeżonym znakiem towarowym Tedee Sp. z o. o. Copyright (C) 2022. Wszelkie prawa zastrzeżone.

DE: SICHERHEITSINFORMATIONEN

WARNING: Lesen Sie alle nachfolgenden Sicherheitsrichtlinien und Warnhinweise sorgfältig durch. Die Nichtbeachtung kann zu elektrischem Schlag, Feuer und/oder schweren Verletzungen führen. Bewahren Sie diese Anweisungen für die Zukunft auf. Für die aktuellste Version dieser Anweisungen besuchen Sie: <https://tedee.com/get-support/>.

SICHERHEITSANWEISUNGEN / WARNHINWEISE ZUR BATTERIE

Das batteriebetriebene Tedee-Türsensor-Set enthält eine einzelne nicht wiederaufladbare und nicht benutzerwartbare CR2032-Batterie.

WARNING

- **VERSCHLUCKUNGSGEFAHR:** Dieses Produkt enthält eine Knopfzellen- oder

Münzbatterie.

- **LEBENSGEFAHR** oder schwere Verletzungen können bei Verschlucken auftreten.
- Eine verschluckte Knopfzellen- oder Münzbatterie kann innerhalb von nur 2 Stunden chemische Verbrennungen im Körperinneren verursachen.
- Halten Sie neue und gebrauchte Batterien außerhalb der Reichweite von Kindern.
- Suchen Sie sofort medizinische Hilfe, wenn der Verdacht besteht, dass eine Batterie verschluckt oder in irgendeinen Körperteil eingeführt wurde.

EMPFOHLENE BATTERIEN

Zum Betrieb Ihres Tedeo-Türsensors benötigen Sie eine CR2032-Batterie. Es dürfen nur 3V-Batterien verwendet werden.

WARNUNG: Es besteht die Gefahr einer dauerhaften Beschädigung des Geräts und des Verlustes der Garantie, wenn Batterien mit einer Betriebsspannung über 3,3V installiert werden!

NICHT TUN

- Nicht wiederaufladbare Batterien nicht aufladen.
- Keine alten und neuen Batterien, unterschiedliche Marken oder Batterietypen (z. B. Alkali, Kohle-Zink oder wiederaufladbare Batterien) mischen.
- Die Batterie nicht zerlegen, durchbohren, verändern, fallen lassen, werfen oder anderen unnötigen Erschütterungen aussetzen.
- Batterien nicht an heißen Orten lagern, z. B. in der Nähe eines Ofens, Herdes, direkter Sonneneinstrahlung oder anderer Wärmequellen.
- Batterie nicht in Mikrowellen oder Hochdruckbehälter legen.
- Batterie nicht in Flüssigkeiten eintauchen oder mit Flüssigkeiten in Kontakt bringen.
- Batterie nicht kurzschließen.
- Keine beschädigten, verfärbten, verrosteten, verformten oder auslaufenden Batterien verwenden oder solche, die Geruch abgeben.

- Nicht auslaufende Batterien berühren.
- Batterien nicht länger als die angegebene Zeit laden.
- Batterien, Geräte und Zubehör nicht im Hausmüll entsorgen oder verbrennen. Wenn möglich, recyceln und gemäß den lokalen Vorschriften trennen.
- Batterien von Kindern unter 3 Jahren fernhalten. Bei Verschlucken sofort einen Arzt kontaktieren.
- Stellen Sie sicher, dass die Batterien gemäß der Polarität (+ und -) korrekt eingesetzt werden. Die Polarität darf nicht vertauscht werden.
- Lagern Sie die Batterien an einem kühlen, trockenen Ort bei normaler Raumtemperatur.
- Entfernen und recyceln oder entsorgen Sie gebrauchte Batterien sofort gemäß den örtlichen Vorschriften und halten Sie sie von Kindern fern.
- Entfernen und recyceln oder entsorgen Sie Batterien aus Geräten, die über längere Zeit nicht benutzt werden, sofort gemäß den örtlichen Vorschriften.
- Verwenden Sie die mitgelieferten Batterien bei einer Betriebstemperatur von -20 bis +54°C und lagern Sie sie bei einer Temperatur von -30 bis +45°C. Das Überschreiten dieser Bereiche kann zu Schäden, Eigenschaftsverlust, Auslaufen oder Explosion der Batterie führen. Diese Temperaturbereiche können je nach Batteriehersteller variieren.
- Sorgen Sie immer dafür, dass das Batteriefach vollständig geschlossen ist. Wenn das Batteriefach nicht sicher schließt, verwenden Sie das Produkt nicht weiter, entfernen Sie die Batterien und halten Sie sie von Kindern fern.

WEITERE INFORMATIONEN

- Auch gebrauchte Batterien können schwere Verletzungen oder den Tod verursachen.
- Kontaktieren Sie ein örtliches Giftinformationszentrum, um Informationen zur Behandlung zu erhalten.
- Erzwingen Sie keine Entladung, Wiederaufladung, Demontage oder Erwärmung über 70°C (158°F) und verbrennen Sie die Batterie nicht. Andernfalls können Verletzungen durch Entgasung, Auslaufen oder Explosion mit chemischen Verbrennungen auftreten.

- Dieses Gerät ist bei normalem Gebrauch und vorhersehbarem Fehlgebrauch sicher zu verwenden. Bei Anzeichen von Fehlern oder Hardwareproblemen wenden Sie sich an den Tedee-Kundensupport. In solchen Fällen sollte das Gerät zur Reparatur an Tedee zurückgeschickt werden.
- Änderungen oder Modifikationen an der Hardware oder Software des Geräts, die nicht von Tedee genehmigt, empfohlen oder bereitgestellt wurden, können die Garantie erlöschen lassen.
- Dieses Gerät benötigt eine Stromquelle und eine Bluetooth®-Verbindung für den ordnungsgemäßen Betrieb und kann eine Internetverbindung erfordern, um bestimmte Funktionen zu nutzen. Der Hersteller übernimmt keine Verantwortung für potenzielle Zugangsprobleme, die durch fehlende Internetverbindung, Stromausfall oder erschöpfte Energiequellen entstehen.
- Dieses Gerät ist nicht als Bestandteil eines Haussicherheitssystems gedacht. Der Hersteller gibt keine Einbruchschutz-Eigenschaften, Zertifikate oder Klassen an. Der Hersteller haftet nicht für mögliche Schäden/Verletzungen, die durch Diebstahl, Einbruch oder unbefugte Kontrolle des Geräts entstehen.
- Dieses Gerät möglicherweise den Kauf zusätzlicher Produkte, um einige seiner Funktionen zu aktivieren. Bei Zweifeln wenden Sie sich bitte an den Tedee-Support.
- Weder Tedee Sp. z o.o. noch unsere Einzelhändler haften für die Nichteinhaltung der oben genannten Warnungen und Sicherheitsrichtlinien. Mit dem Kauf dieses Geräts erkennt der Käufer alle mit der Nutzung von Tedee-Geräten verbundenen Risiken an. Wenn Sie diesen Bedingungen nicht zustimmen, senden Sie das Gerät vor der Verwendung an den Hersteller oder Händler zurück.

WARTUNG

- Entfernen Sie die Batterie aus dem Gerät, bevor Sie es reinigen. Verwenden Sie keine Schmierstoffe, Reinigungsmittel, Polituren oder Lufterfrischer an irgendeinem Teil des Geräts. Wischen Sie es nur mit einem trockenen Tuch ab.
- Wenn das Gehäuse des Geräts so abgenutzt ist, dass seine Integrität beeinträchtigt ist, wenden Sie sich an den Tedee-Kundensupport.

TECHNISCHE INFORMATIONEN

Technische Spezifikationen

Modell: TDSV1.0

Stromversorgung: 1 CR2032-Batterie

Bluetooth®-Kommunikation: BLE 5.2 2,4 GHz

Abmessungen: 30 x 64 x 14 mm (Sensor), 17 x 64 x 7 mm (Magnet)

Betriebstemperatur: von 5°C bis 50°C

Frequenzbereich: von 2,4 GHz bis 2,483 GHz

Maximale Ausgangsleistung: 8 dBm

Betriebsfeuchtigkeit: maximal 95 %

Empfohlene Einrichtung: max. 2 Meter vom Tedee-Schloss, max. 2 Meter von der Tedee-Bridge entfernt

Technische Spezifikationen der Batterie

Name und Adresse des Herstellers: wie auf der Batteriepackung angegeben

Kategorie und ID: wie auf dem Batteriegehäuse angegeben

Herstellungsort: wie auf der Batteriepackung angegeben

Gewicht: ca. 2,90 g

Kapazität: ca. 2230 mAh

Chemische Zusammensetzung: Lithium (100 %)

Gefährliche Stoffe außer Quecksilber, Cadmium oder Blei: keine

Löschmittel: Natriumchlorid (NaCl), ternäre eutektische Chloridmischung (TEC)

Kritische Rohstoffe über 0,1 %: keine

RECHTLICHE / UMWELTBEZOGENE HINWEISE

EU-Konformitätserklärung

Tedee Sp. z o.o. erklärt hiermit, dass das Funkgerät Tedee Door Sensor TDSV1.0 den Anforderungen der Richtlinie 2014/53/EU entspricht. Der vollständige Text der

EU-Konformitätserklärung ist unter der folgenden Internetadresse verfügbar: www.tedee.com/compliance.

WEEE / RoHS

Um mögliche negative Auswirkungen auf die Umwelt zu vermeiden, konsultieren Sie bitte die lokalen Gesetze und Vorschriften für die ordnungsgemäße Entsorgung von elektronischen Geräten und Batterien in Ihrem Land.

Entsorgung von Batterien: Wenn Ihr Tedee-Gerät Batterien enthält, entsorgen Sie diese nicht über den normalen Hausmüll. Geben Sie sie bei einer geeigneten Recyclinganlage oder Sammelstelle ab. Batterien in Tedee-Geräten enthalten kein Quecksilber, Cadmium oder Blei über den in der Richtlinie 2006/66/EG angegebenen Werten.

Entsorgung von Elektronik: Entsorgen Sie Ihr Tedee-Gerät nicht über den normalen Hausmüll. Geben Sie es bei einer geeigneten Recyclinganlage oder Sammelstelle ab.

Bluetooth®

Das Wort- und Bildmarkenzeichen „Bluetooth®“ sind Eigentum der Bluetooth SIG, Inc., und jede Nutzung dieser Marken durch Tedee Sp. z o.o. erfolgt unter Lizenz. Andere Marken und Handelsnamen gehören den jeweiligen Eigentümern.

Google, Android und Google Play sind Marken von Google LLC.

Apple und App Store sind Marken von Apple Inc.
iOS ist eine Marke oder eingetragene Marke von Cisco in den USA und anderen Ländern und wird unter Lizenz verwendet.

GARANTIE

Eingeschränkte Hardwaregarantie von Tedee

Tedee Sp. z o. o. garantiert, dass Tedee-Geräte für einen Zeitraum von mindestens 2 Jahren ab dem Datum des ersten Einzelhandelskaufs frei von Hardwarefehlern in Material und Verarbeitung sind. Tedee Sp. z o. o. übernimmt keine Verantwortung für den Missbrauch von Geräten (einschließlich anderer als in diesem Handbuch beschriebener Lademethoden), insbesondere wenn der Benutzer Änderungen oder Modifikationen an der Gerätehardware oder -software vorgenommen hat, die nicht von Tedee genehmigt, empfohlen oder bereitgestellt wurden. Vollständige Garantieinformationen finden Sie unter folgendem Link: www.tedee.com/warranty, unter der auf der Verpackung angegebenen Adresse des Hauptsitzes des Herstellers und unter support@tedee.com.

tedee® ist eine eingetragene Marke von Tedee Sp. z o. o. Copyright (C) 2022. Alle Rechte vorbehalten.

FR: CONSIDÉRATIONS SUR LA SÉCURITÉ

AVERTISSEMENT : Lisez attentivement toutes les consignes de sécurité et les avertissements ci-dessous. Le non-respect de ces consignes peut entraîner des chocs électriques, des incendies et/ou des blessures graves. Conservez ces instructions pour un usage ultérieur. Pour accéder à la version la plus récente de ces instructions, rendez-vous sur : <https://tedee.com/get-support/>.

DIRECTIVES DE SÉCURITÉ POUR LA BATTERIE / AVERTISSEMENTS

Le kit de capteur de porte Tedee alimenté par batterie comprend une seule batterie CR2032 non rechargeable et non remplaçable par l'utilisateur.

AVERTISSEMENT

- **RISQUE D'INGESTION** : Ce produit contient une pile bouton ou une pile ronde.
- **MORT** ou blessures graves peuvent survenir en cas d'ingestion.
- Une pile bouton ou une pile ronde avalée peut provoquer des brûlures chimiques internes en seulement 2 heures.

- Gardez les piles neuves et usagées HORS DE LA PORTÉE DES ENFANTS.
- Consultez immédiatement un médecin si une pile est soupçonnée d'avoir été avalée ou insérée dans une partie du corps.

PILES RECOMMANDÉES

Pour alimenter votre capteur de porte Tedee, utilisez une pile CR2032. Nous autorisons uniquement l'utilisation de piles 3V.

AVERTISSEMENT : Risque de dommages permanents à l'appareil et perte de garantie si des piles avec une tension supérieure à 3,3V sont installées !

À NE PAS FAIRE

- Ne rechargez pas une pile non rechargeable. Les piles non rechargeables ne doivent pas être rechargées.
- Ne mélangez pas des piles usagées et neuves, ni des marques ou types de piles différents, tels que des piles alcalines, au carbone-zinc ou rechargeables.
- Ne démontez pas, ne percez pas, ne modifiez pas, ne laissez pas tomber, ne jetez pas et n'exposez pas la pile à des chocs inutiles.
- Ne laissez pas et ne stockez pas les piles dans des endroits chauds, comme près d'un four, d'une cuisinière, sous la lumière directe du soleil ou à proximité d'une autre source de chaleur.
- Ne placez pas la pile dans un four à micro-ondes ou dans un autre conteneur sous pression.
- Ne plongez pas la pile dans des liquides et évitez tout contact avec des liquides.
- Ne court-circuitiez pas la pile.
- N'utilisez pas une pile qui semble fuir, être décolorée, rouillée, déformée, émet une odeur ou présente une anomalie quelconque.
- Ne touchez pas une pile qui fuit.
- Ne chargez pas une pile au-delà du temps spécifié.
- Ne jetez PAS les piles, appareils ou accessoires dans les déchets ménagers ou par incinération. Si possible, recyclez-les conformément aux réglementations locales.

- Tenez la pile éloignée des enfants de moins de 3 ans. En cas d'ingestion, contactez immédiatement les services médicaux locaux.
- Assurez-vous que les piles sont correctement installées en respectant la polarité (+ et -). Ne pas inverser la polarité des piles.
- Stockez les piles dans un endroit frais et sec, à température ambiante normale.
- Retirez et recyclez ou éliminez immédiatement les piles usagées conformément aux réglementations locales et gardez-les hors de portée des enfants.
- Retirez et recyclez ou éliminez immédiatement les piles des appareils inutilisés pendant une période prolongée, conformément aux réglementations locales.
- Utilisez les piles fournies à une température de fonctionnement comprise entre -20°C et +54°C et conservez-les à une température comprise entre -30°C et +45°C. Dépasser ces plages peut entraîner des dommages, une perte de propriétés, des fuites ou une explosion de la pile. Les plages de température peuvent varier selon le fabricant de la pile.
- Assurez-vous que le compartiment des piles est toujours complètement sécurisé. Si le compartiment ne se ferme pas correctement, cessez d'utiliser le produit, retirez les piles et gardez-les hors de portée des enfants.

AUTRES INFORMATIONS

- Même les piles usagées peuvent causer des blessures graves ou la mort.
- Contactez un centre antipoison local pour obtenir des informations sur le traitement.
- N'essayez pas de décharger de force, de recharger, de démonter, de chauffer au-delà de 70°C (158°F) ou d'incinérer les piles. Cela peut provoquer des blessures dues à des émanations de gaz, des fuites ou des explosions entraînant des brûlures chimiques.
- Cet appareil est sûr à utiliser dans des conditions normales et en cas de mauvais usage raisonnablement prévisible. Si vous remarquez des signes d'erreurs ou de dysfonctionnement matériel, contactez le support technique de Tedee. Dans ce cas, l'appareil doit être retourné à Tedee pour des réparations nécessaires conformément aux conditions de garantie.
- Toute modification ou altération de la structure matérielle ou logicielle de

l'appareil, qui n'a pas été approuvée, recommandée ou fournie par Tedee, peut annuler votre garantie.

- Cet appareil nécessite une source d'alimentation et une connexion Bluetooth® pour fonctionner correctement et peut nécessiter une connexion Internet pour utiliser certaines de ses fonctionnalités. Le fabricant n'est pas responsable des problèmes d'accès potentiels causés par l'absence d'accès à Internet ou l'épuisement de la source d'alimentation.
- Cet appareil n'est pas conçu pour être utilisé dans un système de sécurité domestique. Le fabricant ne déclare aucune propriété anti-effraction, attestation, certificat ou classe de protection contre les effractions pour cet appareil. Le fabricant ne sera pas tenu responsable des dommages ou blessures résultant d'un vol, d'une effraction ou d'un contrôle non autorisé de l'appareil.
- Cet appareil peut nécessiter l'achat de produits supplémentaires pour activer certaines de ses fonctionnalités. En cas de doute, contactez le support Tedee.
- Ni Tedee Sp. z o.o. ni nos revendeurs ne sont responsables en cas de non-respect des avertissements et consignes de sécurité ci-dessus. En achetant cet appareil, l'acheteur reconnaît tous les risques associés à l'utilisation des équipements Tedee. Si vous n'acceptez pas ces conditions, retournez l'appareil au fabricant ou au distributeur avant utilisation.

ENTRETIEN

- Retirez la pile de l'appareil avant de le nettoyer. N'utilisez aucun lubrifiant, produit de nettoyage, vernis ou désodorisant sur une partie quelconque de l'appareil. Essayez-le uniquement avec un chiffon sec.
- Si le boîtier de l'appareil est trouvé usé au point que son intégrité est compromise, contactez le support technique de Tedee.

INFORMATIONS TECHNIQUES

Spécifications techniques

Modèle : TDSV1.0

Alimentation : 1 pile CR2032

Communication Bluetooth® : BLE 5.2, 2,4 GHz

Dimensions : 30 x 64 x 14 mm (capteur), 17 x 64 x 7 mm (aimant)

Température de fonctionnement : de 5°C à 50°C

Plage de fréquences : de 2,4 GHz à 2,483 GHz

Puissance de sortie maximale : 8 dBm

Humidité de fonctionnement : maximum 95 %

Configuration recommandée : à 2 mètres maximum de la serrure Tedee et à 2 mètres maximum du pont Tedee

Spécifications techniques de la batterie

Nom et adresse du fabricant : comme indiqué sur l'emballage de la batterie

Catégorie et ID : comme indiqué sur le boîtier de la batterie

Lieu de fabrication : comme indiqué sur l'emballage de la batterie

Poids : ~ 2,90 g

Capacité : ~ 2230 mAh

Composition chimique : lithium (100 %)

Substances dangereuses autres que le mercure, le cadmium ou le plomb : aucune

Agent d'extinction d'incendie : chlorure de sodium (NaCl), chlorure eutectique ternaire (TEC)

Matières premières critiques dépassant 0,1 % : aucune

NOTES LÉGALES / ENVIRONNEMENTALES

Déclaration de conformité UE

Tedee Sp. z o.o. déclare par la présente que le dispositif radio Tedee Door Sensor TDSV1.0 est conforme à la directive 2014/53/UE. Le texte complet de la déclaration de conformité UE est disponible à l'adresse suivante : www.tedee.com/compliance.

WEEE / RoHS

Pour éviter tout impact négatif potentiel sur l'environnement, consultez les lois et réglementations locales pour la mise au rebut appropriée des appareils électroniques et des piles dans votre pays.

Élimination des piles : Si votre appareil Tedee contient des piles, ne les jetez pas avec les ordures ménagères. Remettez-les à un centre de recyclage approprié ou à un point de collecte. Les piles utilisées dans les appareils Tedee ne contiennent pas de mercure, de cadmium ou de plomb au-delà des seuils spécifiés dans la directive 2006/66/CE.

Élimination des appareils électroniques : Ne jetez pas votre appareil Tedee avec les ordures ménagères. Remettez-le à un centre de recyclage approprié ou à un point de collecte.

ISED

L'émetteur/récepteur exempt de licence contenu dans le présent appareil est conforme aux CNR d'Innovation, Sciences et Développement économique Canada applicables aux appareils radio exempts de licence. L'exploitation est autorisée aux deux conditions suivantes:

- (1) L'appareil ne doit pas produire de brouillage;
- (2) L'appareil doit accepter tout brouillage radioélectrique subi, même si le brouillage est susceptible d'en compromettre le fonctionnement.

Cet équipement est conforme aux limites d'exposition aux rayonnements RSS-102 établies pour un environnement professionnel/contrôlé.

Bluetooth®

Le mot et les logos Bluetooth® sont la propriété de Bluetooth SIG, Inc., et toute utilisation de ces marques par Tedee Sp. z o.o. est sous licence. D'autres marques et noms commerciaux appartiennent à leurs propriétaires respectifs.

Google, Android et Google Play sont des marques de Google LLC.

Apple et App Store sont des marques d'Apple Inc. iOS est une marque ou une marque déposée de Cisco aux États-Unis et dans d'autres pays, utilisée sous licence.

GARANTIE

Garantie matérielle limitée de Tedee

Tedee Sp. z o. o. garantit que les appareils Tedee sont exempts de défauts matériels et de fabrication pendant une période d'au moins deux ans à compter de la date du premier achat au détail. Tedee Sp. z o. o. n'est pas responsable de la mauvaise utilisation des appareils (y compris des méthodes de chargement autres que celles décrites dans le présent manuel), en particulier si l'utilisateur a apporté des changements ou des modifications au matériel ou au logiciel de l'appareil qui ne sont pas approuvés, recommandés ou fournis par Tedee. Des informations complètes sur la garantie sont disponibles sur le lien suivant : www.tedee.com/warranty, à l'adresse du siège du fabricant indiquée sur l'emballage, et à support@tedee.com.

tedee® est une marque déposée de Tedee Sp. z o. o. Copyright (C) 2022. Tous droits réservés.

ES: INFORMACIÓN DE SEGURIDAD

ADVERTENCIA: Lea todas las directrices y advertencias de seguridad que se indican a continuación. El incumplimiento de las mismas puede provocar descargas eléctricas, incendios y/o lesiones graves. Conserve estas instrucciones para uso futuro. Para acceder a la versión más reciente y actualizada de estas instrucciones visite: <https://tedee.com/get-support/>

DIRECTRICES DE SEGURIDAD DE LA BATERÍA / ADVERTENCIAS

El conjunto de sensores de puerta Tedee alimentado por batería incluye una sola

batería CR2032 no recargable y no reparable por el usuario.

ADVERTENCIA

- PELIGRO DE INGESTIÓN: Este producto contiene una pila de botón o de botón.
- Si se ingiere puede causar la MUERTE o lesiones graves.
- La ingestión de una pila de botón o de botón puede provocar quemaduras químicas internas en tan sólo 2 horas.
- MANTENGA las pilas nuevas y usadas FUERA DEL ALCANCE DE LOS NIÑOS.
- Busque atención médica inmediata si sospecha que se ha tragado o introducido una pila en cualquier parte del cuerpo.

PILAS RECOMENDADAS

Para alimentar su sensor de puerta Tedee, necesita utilizar 1 pila CR2032. Sólo permitimos el uso de 3V.

ADVERTENCIA: ¡Riesgo de daños permanentes en el dispositivo y pérdida de garantía si se instalan baterías con un voltaje de funcionamiento superior a 3,3V!

NO

- No cargue baterías no recargables. Las baterías no recargables no deben recargarse.
- No mezcle pilas nuevas y usadas, ni pilas de marcas o tipos diferentes, como pilas alcalinas, de carbono-zinc o recargables.
- No desmonte, perforo, modifique, deje caer, lance ni provoque otros golpes innecesarios a la pila.
- No deje ni guarde la batería en lugares calientes, como cerca de un horno, estufa, luz solar directa u otra fuente de calor.
- No coloque la batería en un horno microondas ni en ningún otro recipiente de alta presión.
- No sumerja la batería en líquidos ni permita que entre en contacto con ellos.

- No cortocircuite la batería.
- No utilice baterías que presenten fugas, decoloración, óxido, deformación, olor o cualquier otra anomalía.
- No toque una batería con fugas.
- No continúe cargando la batería más tiempo del especificado.
- NO tire las pilas, los dispositivos y sus accesorios a la basura doméstica ni los incinere. Si es posible, recíclelos y sepárelos de acuerdo con la normativa local.
- Mantenga la batería fuera del alcance de los niños menores de 3 años. En caso de ingestión, póngase inmediatamente en contacto con un médico.
- Asegúrese de que las pilas están instaladas correctamente según la polaridad (+ y -). No invierta la polaridad de las pilas.
- Guarde las pilas en un lugar fresco y seco a temperatura ambiente.
- Retire las pilas usadas y recíclelas o deséchelas inmediatamente de acuerdo con la normativa local y manténgalas fuera del alcance de los niños.
- Retire y recicle o deseche inmediatamente las pilas de los equipos que no haya utilizado durante un periodo prolongado de tiempo de acuerdo con la normativa local.
- Utilice las pilas incluidas a una temperatura de funcionamiento de -20 a +54°C, y guárdelas a una temperatura de -30 a +45°C. Exceder estos rangos puede provocar daños, pérdida de propiedades, fugas o explosión de la batería. Los rangos de temperatura anteriores pueden variar en función del fabricante de la batería.
- Dp siempre cierre completamente el compartimento de la batería. Si el compartimento de las pilas no queda bien cerrado, deje de utilizar el producto, retire las pilas y manténgalas fuera del alcance de los niños.

OTRA INFORMACIÓN

- Incluso las pilas usadas pueden causar lesiones graves o la muerte
- Llame a un centro de toxicología local para obtener información sobre el tratamiento
- No fuerce la descarga, la recarga, el desmontaje, el calentamiento por encima de 158°F ni la incineración. De lo contrario, podría sufrir lesiones debido a fugas,

escapes o explosiones que provoquen quemaduras químicas.

- Este dispositivo es seguro de utilizar en condiciones de uso normal y razonablemente previsible. Si observa algún signo de error o mal funcionamiento del hardware, póngase en contacto con el servicio técnico de tedee para obtener ayuda. En tal caso, este dispositivo debe ser devuelto a tedee para las reparaciones necesarias bajo las condiciones de garantía. Cualquier cambio o modificación en el hardware o software del dispositivo que no haya sido aprobado, recomendado o proporcionado por tedee puede anular la garantía.
- Este dispositivo requiere una fuente de alimentación y una conexión Bluetooth(R) para funcionar correctamente y puede requerir una conexión a Internet para utilizar algunas de sus funciones. El fabricante no se hace responsable de los posibles problemas de acceso a la sala derivados de la falta de acceso a Internet o del fallo o agotamiento de la fuente de alimentación.
- Este dispositivo no está diseñado para utilizarse como parte de un sistema de seguridad doméstico. El fabricante no declara propiedades antirrobo ni certificaciones, certificados o clases de protección antirrobo para el dispositivo. El fabricante no se hace responsable de los posibles daños/lesiones sufridos por robo, allanamiento o intrusión resultantes de daños, superación o control no autorizado del dispositivo.
- Este dispositivo puede requerir la compra de productos adicionales para habilitar algunas de sus funciones. En caso de duda, póngase en contacto con el servicio de asistencia de tedee.
- Ni Tedee Sp. z o.o., ni nuestros distribuidores son responsables del incumplimiento de las advertencias y directrices de seguridad mencionadas. Al adquirir este dispositivo, el comprador reconoce todos los riesgos asociados al uso del equipo tedee. Si no está de acuerdo con estas condiciones, devuelva el aparato al fabricante o distribuidor antes de utilizarlo.

MANTENIMIENTO

- Retire la batería del aparato antes de limpiarlo. No utilice lubricantes, productos de limpieza, abrillantadores ni ambientadores en ninguna parte del aparato. Límpielo sólo con un paño seco.

- Si la carcasa del dispositivo se encuentra desgastada hasta el punto de comprometer su integridad, póngase en contacto con el servicio de asistencia técnica de tedee.

INFORMACIÓN TÉCNICA

Especificaciones técnicas

Modelo TDSV1.0

Alimentación: 1 pila CR2032

Comunicación Bluetooth BLE 5.2 2.4GHz

Dimensiones: 30 x 64 x 14 mm (el sensor), 17 x 64 x 7 mm (el imán)

Temperatura de funcionamiento: de 5° C a 50° C

Gama de frecuencias: de 2,4GHz a 2,483GHz

Potencia máxima de salida: 8dBm

Humedad de funcionamiento: máximo 95%

Configuración recomendada: máx. 2 metros de tedee lock max. 2 metros del puente tedee

Especificaciones técnicas de la batería

Nombre y dirección del fabricante: como se indica en el embalaje de la batería

Categoría e ID: tal y como se muestra en la carcasa de la batería

Lugar de fabricación: como se indica en el embalaje de la pila

Peso: ~ 2,90 g

Capacidad: ~2230mAh

Composición química: litio (100%)

Sustancias peligrosas distintas del mercurio, cadmio o plomo: N/A

Agente extintor: cloruro sódico (NaCl), cloruro eutéctico ternario (TEC)

Materias primas críticas presentes en la batería por encima del 0,1%: N/A

NOTAS LEGALES / MEDIOAMBIENTALES

Declaración de conformidad de la UE

Tedee Sp. z o.o. declara por la presente que el dispositivo radioeléctrico Tedee Door Sensor TDSV1.0 es conforme con la Directiva 2014/53/UE. El texto completo de la Declaración de conformidad de la UE está disponible en la siguiente dirección de Internet: www.tedee.com/compliance.

WEEE / RoHS

Para evitar un posible impacto negativo en el medio ambiente, consulte las leyes y normativas locales para la correcta eliminación de dispositivos electrónicos y baterías en su país. Eliminación de pilas: si su dispositivo tedee contiene pilas, no las deseche con la basura doméstica normal.

Entrégalas en un centro de reciclaje adecuado o en un punto de recogida. Las pilas utilizadas en los dispositivos tedee no contienen mercurio, cadmio ni plomo por encima de los niveles especificados en la Directiva 2006/66/CE.

Eliminación de productos electrónicos: no elimine su dispositivo tedee con la basura doméstica normal. Entrégalo en un centro de reciclaje adecuado o en un punto de recogida.

Bluetooth

La marca y los logotipos Bluetooth® son propiedad de Bluetooth SIG, Inc. y Tedee Sp. z o.o. los utiliza bajo licencia. Otras marcas y nombres comerciales pertenecen a sus respectivos propietarios.

Google, Android y Google Play son marcas comerciales de Google LLC.

Apple y App Store son marcas comerciales de Apple Inc. IOS es una marca comercial o registrada de Cisco en EE.UU. y otros países y se utiliza bajo licencia.

GARANTÍA

Garantía limitada de hardware de Tedee

Tedee Sp. z o. o. garantiza que los dispositivos Tedee están libres de defectos de hardware en materiales y mano de obra durante un período no inferior a 2 años a partir de la fecha de la primera compra al por menor. Tedee Sp. z o. o. no se responsabiliza del mal uso de los dispositivos (incluyendo métodos de carga distintos a los descritos en este manual), especialmente si el usuario ha realizado cambios o modificaciones en el hardware o software del dispositivo que no hayan sido aprobados, recomendados o proporcionados por Tedee. La información completa sobre la garantía está disponible en el siguiente enlace: www.tedee.com/warranty, en la dirección de la sede del fabricante indicada en el embalaje y en support@tedee.com.

tedee® es una marca registrada de Tedee Sp. z o. o. Copyright (C) 2022. Todos los derechos reservados.

IT: INFORMAZIONI SULLA SICUREZZA

AVVERTENZA: leggere tutte le indicazioni e le avvertenze di sicurezza riportate di seguito. La mancata osservanza di tali indicazioni può provocare scosse elettriche, incendi e/o gravi lesioni. Conservare queste istruzioni per un uso futuro. Per accedere alla versione più recente e aggiornata di queste istruzioni, visitare il sito: <https://tedee.com/get-support/>.

LINEE GUIDA PER LA SICUREZZA DELLE BATTERIE / AVVERTENZE

Il set di sensori per porte Tedee alimentato a batteria include una singola batteria CR2032 non ricaricabile e non utilizzabile.

AVVERTENZA

- **PERICOLO DI INGESTIONE:** questo prodotto contiene una batteria a bottone o a moneta.
- L'ingestione può provocare morte o gravi lesioni.
- Una batteria a bottone o a moneta ingerita può causare ustioni chimiche interne in appena 2 ore.
- Tenere le batterie nuove e usate fuori dalla portata dei bambini.
- Rivolgersi immediatamente a un medico se si sospetta che una batteria sia stata ingerita o inserita in una parte del corpo.

BATTERIE CONSIGLIATE

Per alimentare il sensore per porta Tedee, è necessario utilizzare 1 batteria CR2032. È consentito solo l'uso di batterie da 3 V.

AVVERTENZA: rischio di danni permanenti al dispositivo e di perdita della garanzia se si installano batterie con una tensione operativa superiore a 3,3 V!

NON

- Non caricare batterie non ricaricabili. Le batterie non ricaricabili non devono essere ricaricate.
- Non mischiare batterie vecchie e nuove, marche o tipi diversi di batterie, come quelle alcaline, al carbonio-zinco o ricaricabili.
- Non smontare, forare, modificare, far cadere, lanciare o causare altri urti inutili alla batteria.
- Non lasciare o conservare la batteria in luoghi caldi, ad esempio vicino a forni, stufe, luce solare diretta o altre fonti di calore.
- Non inserire la batteria in un forno a microonde o in qualsiasi altro contenitore ad alta pressione.
- Non immergere la batteria in liquidi e non permettere che venga a contatto con liquidi.
- Non cortocircuitare la batteria.

- Non utilizzare la batteria che sembra avere perdite, essere scolorita, arrugginita, deformata, emettere un odore o presentare altre anomalie.
- Non toccare la batteria che perde.
- Non continuare a caricare la batteria oltre il tempo specificato.
- **NON** smaltire le batterie, i dispositivi e i loro accessori nei rifiuti domestici o incenerirli. Se possibile, riciclare e separare secondo le norme locali.
- Tenere la batteria lontana dai bambini di età inferiore ai 3 anni. In caso di ingestione, contattare immediatamente il medico locale.
- Assicurarsi che le batterie siano installate correttamente secondo la polarità (+ e -). Non invertire la polarità delle batterie.
- Conservare le batterie in un luogo fresco e asciutto a temperatura ambiente.
- Rimuovere e riciclare immediatamente o smaltire le batterie usate secondo le normative locali e tenerle lontane dai bambini.
- Rimuovere e riciclare o smaltire immediatamente le batterie delle apparecchiature non utilizzate per un lungo periodo di tempo, secondo le norme locali.
- Utilizzare le batterie in dotazione a una temperatura di esercizio compresa tra -20 e +54°C e conservarle a una temperatura compresa tra -30 e +45°C. Il superamento di questi intervalli può causare danni, perdita di proprietà, perdite o esplosioni della batteria. Gli intervalli di temperatura sopra indicati possono variare a seconda del produttore della batteria.
- Dp sempre chiudere completamente il vano batteria. Se il vano batterie non si chiude saldamente, interrompere l'uso del prodotto, rimuovere le batterie e tenerle lontane dai bambini.

ALTRE INFORMAZIONI

- Anche le batterie usate possono causare gravi lesioni o morte
- Chiamare un centro antiveleni locale per informazioni sul trattamento
- Non forzare le batterie, non ricaricarle, non smontarle, non riscaldarle oltre i 158°F e non incenerirle. Ciò può provocare lesioni dovute a fuoriuscite, perdite o esplosioni con conseguenti ustioni chimiche.
- Questo dispositivo è sicuro da usare in condizioni di utilizzo normale e

ragionevolmente prevedibile. Se si notano segni di errori o di malfunzionamento dell'hardware, contattare il supporto tecnico di tedee per ottenere assistenza. In tal caso, il dispositivo deve essere restituito a tedee per le necessarie riparazioni in base alle condizioni di garanzia. Eventuali cambiamenti o modifiche all'hardware o al software del dispositivo non approvati, consigliati o forniti da tedee possono invalidare la garanzia.

- Questo dispositivo richiede una fonte di alimentazione e una connessione Bluetooth(R) per il corretto funzionamento e potrebbe richiedere una connessione a Internet per utilizzare alcune delle sue funzioni. Il produttore non è responsabile di eventuali problemi di accesso alla stanza dovuti alla mancanza di accesso a Internet o al guasto o all'esaurimento della fonte di alimentazione.
- Questo dispositivo non è destinato a essere utilizzato come parte di un sistema di sicurezza domestica. Il produttore non dichiara alcuna proprietà antieffrazione o attestati, certificati o classi di protezione antieffrazione per il dispositivo. Il produttore non è responsabile di eventuali danni/lesioni subiti a causa di furti, scassi o intrusioni derivanti da danneggiamenti, superamento o acquisizione del controllo del dispositivo da parte di persone non autorizzate.
- Questo dispositivo potrebbe richiedere l'acquisto di prodotti aggiuntivi per abilitare alcune delle sue funzioni. In caso di dubbi, contattare l'assistenza Tedee.
- Né Tedee Sp. z o.o., né i nostri rivenditori sono responsabili della mancata osservanza delle avvertenze e delle linee guida di sicurezza di cui sopra. Con l'acquisto di questo dispositivo, l'acquirente riconosce tutti i rischi associati all'uso delle apparecchiature tedee. Se non si accettano questi termini, restituire il dispositivo al produttore o al distributore prima dell'uso.

MANUTENZIONE

- Rimuovere la batteria dal dispositivo prima di pulirlo. Non utilizzare lubrificanti, detergenti, lucidanti o deodoranti per ambienti su nessuna parte del dispositivo. Pulire solo con un panno asciutto.
- Se l'alloggiamento del dispositivo risulta usurato al punto da comprometterne l'integrità, contattare l'assistenza tecnica di tedee.

INFORMAZIONI TECNICHE

Specifiche tecniche

Modello: TDSV1.0

Alimentazione: 1 batteria CR2032

Comunicazione Bluetooth®: BLE 5.2 2.4GHz

Dimensioni: 30 x 64 x 14 mm (il sensore), 17 x 64 x 7 mm (il magnete)

Temperatura di funzionamento: da 5° C a 50° C

Gamma di frequenza: da 2,4GHz a 2,483GHz

Potenza di uscita massima: 8dBm

Umidità di funzionamento: massimo 95%.

Configurazione consigliata: max. 2 metri dal blocco tedee max. 2 metri dal ponte tedee

Specifiche tecniche della batteria

Nome e indirizzo del produttore: come indicato sulla confezione della batteria

Categoria e ID: come indicato sull'alloggiamento della batteria

Luogo di produzione: come indicato sulla confezione della batteria

Peso: ~ 2,90 g

Capacità: ~2230mAh

Composizione chimica: litio (100%)

Sostanze pericolose diverse da mercurio, cadmio o piombo: N/A

Agente estinguente: cloruro di sodio (NaCl), cloruro eutettico ternario (TEC)

Materie prime critiche presenti nella batteria oltre lo 0,1%: N/A

NOTE LEGALI/AMBIENTALI

Dichiarazione di conformità UE

Con la presente Tedee Sp. z o.o. dichiara che il dispositivo radio Tedee Door Sensor TDSV1.0 è conforme alla Direttiva 2014/53/UE. Il testo completo della

Dichiarazione di conformità UE è disponibile al seguente indirizzo Internet: www.tedee.com/compliance.

RAEE / RoHS

Per evitare un potenziale impatto negativo sull'ambiente, consultare le leggi e le normative locali per il corretto smaltimento dei dispositivi elettronici e delle batterie nel proprio Paese. Smaltimento delle batterie - Se il dispositivo tedee contiene batterie, non smaltirle con i normali rifiuti domestici.

Consegnatele a un centro di riciclaggio o a un punto di raccolta appropriato. Le batterie utilizzate nei dispositivi tedee non contengono mercurio, cadmio o piombo oltre i livelli specificati nella direttiva 2006/66/CE.

Smaltimento dei dispositivi elettronici - non smaltire il dispositivo tedee con i normali rifiuti domestici. Consegnatelo a un centro di riciclaggio o a un punto di raccolta appropriato.

Bluetooth®

Il marchio e i loghi Bluetooth® sono di proprietà di Bluetooth SIG, Inc. e l'uso di tali marchi da parte di Tedee Sp. z o.o. è concesso in licenza. Altri marchi e nomi commerciali appartengono ai rispettivi proprietari.

Google, Android e Google Play sono marchi di Google LLC.

Apple e App Store sono marchi di Apple Inc.

iOS è un marchio o un marchio registrato di Cisco negli Stati Uniti e in altri Paesi ed è utilizzato su licenza.

GARANZIA

Garanzia limitata sull'hardware Tedee

Tedee Sp. z o. o. garantisce che i dispositivi Tedee sono privi di difetti di materiale e di lavorazione per un periodo non inferiore a 2 anni dalla data del primo acquisto

al dettaglio. Tedee Sp. z o. o. non si assume alcuna responsabilità per l'uso improprio dei dispositivi (compresi i metodi di ricarica diversi da quelli descritti nel presente manuale), in particolare se l'utente ha apportato modifiche all'hardware o al software del dispositivo non approvate, raccomandate o fornite da Tedee.

Le informazioni complete sulla garanzia sono disponibili al seguente link: www.tedee.com/warranty, all'indirizzo della sede centrale del produttore indicato sulla confezione e all'indirizzo support@tedee.com.

tedee® è un marchio registrato di Tedee Sp. z o. o. Copyright (C) 2022. Tutti i diritti riservati.

PT: INFORMAÇÕES DE SEGURANÇA

AVISO: Leia todas as diretrizes de segurança e avisos fornecidos abaixo. O não cumprimento das mesmas pode resultar em choque elétrico, incêndio e/ou ferimentos graves. Guarde estas instruções para utilização futura. Para aceder à versão mais recente e atualizada destas instruções, visite: <https://tedee.com/get-support/>

DIRETRIZES DE SEGURANÇA DA BATERIA / ADVERTÊNCIA

O conjunto do Sensor de Porta Tedee alimentado a pilhas inclui uma única pilha CR2032 não recarregável e que não pode ser reparada pelo utilizador.

AVISO

- PERIGO DE INGESTÃO: Este produto contém uma pilha de botão ou de moeda.
- A ingestão pode provocar a morte ou ferimentos graves.
- A ingestão de uma pilha tipo botão ou de uma pilha tipo moeda pode provocar queimaduras químicas internas em apenas 2 horas.
- MANTENHA as pilhas novas e usadas FORA DO ALCANCE DAS CRIANÇAS.
- Procurar assistência médica imediata se houver suspeita de ingestão ou inserção de uma pilha em qualquer parte do corpo.

PILHAS RECOMENDADAS

Para alimentar o Sensor de Porta Tedee, é necessário utilizar 1 pilha CR2032. Só é permitida a utilização permitimos a utilização de pilhas de 3V.

ATENÇÃO: Risco de danos permanentes no aparelho e de perda da garantia em caso de instalação de pilhas com uma tensão de funcionamento superior a 3,3V!

NÃO

- Não carregar pilhas não recarregáveis. As pilhas não recarregáveis não devem ser recarregadas
- Não misturar pilhas velhas e novas, marcas ou tipos diferentes de pilhas, tais como pilhas alcalinas, de carbono-zinco ou recarregáveis
- Não desmonte, fure, modifique, deixe cair, atire ou cause outros choques desnecessários à pilha.
- Não deixe ou guarde a pilha em locais quentes, como perto de um forno, fogão, luz solar direta ou outra fonte de calor.
- Não coloque a bateria num forno micro-ondas ou em qualquer outro recipiente de alta pressão.
- Não mergulhe a bateria em líquidos nem permita que entrem em contacto com líquidos.
- Não coloque a bateria em curto-circuito.
- Não utilize uma bateria que pareça estar a verter, descolorida, enferrujada, deformada, que emita um odor ou que apresente qualquer outro tipo de anomalia.
- Não toque na bateria com fugas.
- Não continue a carregar a bateria durante mais tempo do que o especificado.
- NÃO deite fora as baterias, os dispositivos e os respectivos acessórios no lixo doméstico ou incinere-os. Se possível, recicle e separe de acordo com os regulamentos locais
- Mantenha a bateria afastada do alcance de crianças com menos de 3 anos. Em caso de ingestão, contacte imediatamente o seu médico local.

- Certifique-se de que as pilhas são instaladas corretamente de acordo com a polaridade (+ e -). Não inverta a polaridade das pilhas.
- Guarde as pilhas num local fresco e seco, à temperatura ambiente normal.
- Retire e recicle ou elimine imediatamente as pilhas usadas de acordo com os regulamentos locais e mantenha-as afastadas das crianças
- Retire e recicle ou elimine imediatamente as pilhas do equipamento não utilizado durante um longo período de tempo, de acordo com os regulamentos locais
- Utilize as pilhas incluídas a uma temperatura de funcionamento de -20 a +54°C e guarde-as a uma temperatura de -30 a +45°C. Exceder estes intervalos pode resultar em danos, perda de propriedades, fuga ou explosão da pilha. Os intervalos de temperatura acima indicados podem variar consoante o fabricante da pilha.
- Dp sempre fechar completamente o compartimento da bateria. Se o compartimento das pilhas não fechar corretamente, pare de utilizar o produto, retire as pilhas e mantenha-as afastadas das crianças

OUTRAS INFORMAÇÕES

- Mesmo as pilhas usadas podem causar ferimentos graves ou morte
- Contacte um centro de controlo de venenos local para obter informações sobre tratamento
- Não forçar a descarga, recarregar, desmontar, aquecer acima de 158°F ou incinerar. Se o fizer, pode provocar ferimentos devido a ventilação, fuga ou explosão, resultando em queimaduras químicas
- Este dispositivo é seguro para utilização em condições normais e razoavelmente previsíveis de utilização incorrecta. Se detetar quaisquer sinais de erros ou de mau funcionamento do hardware, contacte a assistência técnica da tedee para obter ajuda. Neste caso, o aparelho deve ser devolvido à tedee para as reparações necessárias ao abrigo das condições de garantia. Quaisquer alterações ou modificações ao hardware ou software do dispositivo que não sejam aprovadas, recomendadas ou fornecidas pela tedee podem anular a garantia.
- Este dispositivo necessita de uma fonte de alimentação e de uma ligação

Bluetooth(R) para funcionar corretamente e pode necessitar de uma ligação à Internet para utilizar algumas das suas funcionalidades. O fabricante não é responsável por potenciais problemas de acesso à sala resultantes da falta de acesso à Internet ou de falha ou esgotamento da fonte de alimentação.

- Este dispositivo não se destina a ser utilizado como parte de um sistema de segurança doméstica. O fabricante não declara quaisquer propriedades antirroubo ou atestados, certificados ou classes de proteção antirroubo para o dispositivo. O fabricante não se responsabiliza por eventuais danos/lesões sofridos devido a furto, roubo ou intrusão resultantes de danos, ultrapassagem ou obtenção de controlo não autorizado do dispositivo.
- Este dispositivo pode exigir a compra de produtos adicionais para ativar algumas das suas funcionalidades. Em caso de dúvida, contacte a assistência técnica da tedee.
- Nem a Tedee Sp. z o.o., nem os nossos retalhistas são responsáveis pelo não cumprimento dos avisos e orientações de segurança acima referidos. Ao adquirir este dispositivo, o comprador reconhece todos os riscos associados à utilização do equipamento tedee. Se não concordar com estas condições, devolva o aparelho ao fabricante ou distribuidor antes de o utilizar.

MANUTENÇÃO

- Retirar a pilha do aparelho antes de o limpar. Não utilize lubrificantes, produtos de limpeza, polimentos ou ambientadores em nenhuma parte do aparelho. Limpe-o apenas com um pano seco.
- Se a caixa do dispositivo estiver desgastada ao ponto de comprometer a integridade da caixa, contacte a assistência técnica da tedee.

INFORMAÇÃO TÉCNICA

Especificações técnicas

Modelo: TDSV1.0

Fonte de alimentação: 1 pilha CR2032

Comunicação Bluetooth®: BLE 5.2 2.4GHz

Dimensões: 30 x 64 x 14 mm (o sensor), 17 x 64 x 7 mm (o íman)

Temperatura de funcionamento: de 5° C a 50° C

Gama de frequências: de 2,4GHz a 2,483GHz

Potência máxima de saída: 8dBm

Humidade de funcionamento: máximo de 95%

Instalação recomendada: máx. 2 metros da fechadura tedee max. 2 metros da ponte de tedee

Especificações técnicas da bateria

Nome e endereço do fabricante: tal como indicado na embalagem da bateria

Categoria e ID: conforme indicado na caixa da bateria

Local de fabrico: conforme indicado na embalagem da bateria

Peso: ~ 2,90g

Capacidade: ~2230mAh

Composição química: lítio (100%)

Substâncias perigosas, exceto mercúrio, cádmio ou chumbo: N/A

Agente extintor de incêndios: cloreto de sódio (NaCl), cloreto eutéctico ternário (TEC)

Matérias-primas críticas presentes na bateria com mais de 0,1%: N/A

NOTAS LEGAIS / AMBIENTAIS

Declaração de Conformidade UE

A Tedee Sp. z o.o. declara que o dispositivo de rádio Tedee Door Sensor TDSV1.0 está em conformidade com a Diretiva 2014/53/UE. O texto completo da Declaração de Conformidade da UE está disponível no seguinte endereço de Internet: www.tedee.com/compliance.

WEEE / RoHS

Para evitar um potencial impacto negativo no ambiente, consulte as leis e regulamentos locais para a eliminação adequada de dispositivos electrónicos e baterias no seu país. Eliminação das pilhas - se o seu aparelho tedee contiver pilhas, não as elimine juntamente com o lixo doméstico normal.

Entregue-as numa instalação de reciclagem adequada ou num ponto de recolha. As pilhas utilizadas nos dispositivos tedee não contêm mercúrio, cádmio ou chumbo acima dos níveis especificados na Diretiva 2006/66/CE.

Eliminação de aparelhos electrónicos - não elimine o seu aparelho tedee juntamente com o lixo doméstico normal. Entregue-o numa instalação de reciclagem adequada ou num ponto de recolha.

Bluetooth

A marca nominativa e os logótipos Bluetooth® são propriedade da Bluetooth SIG, Inc. e qualquer utilização dessas marcas pela Tedee Sp. z o.o. é feita sob licença. Outras marcas e nomes comerciais pertencem aos respectivos proprietários.

Google, Android e Google Play são marcas comerciais da Google LLC.

Apple e App Store são marcas comerciais da Apple Inc.

iOS é uma marca comercial ou uma marca registada da Cisco nos EUA e noutros países e é utilizada sob licença.

GARANTIA

Garantia limitada de hardware da Tedee

A Tedee Sp. z o. o. garante que os dispositivos Tedee estão isentos de defeitos de hardware, materiais e de fabrico durante um período não inferior a 2 anos a partir da data da primeira compra a retalho. A Tedee Sp. z o. o. não se responsabiliza pela utilização indevida dos aparelhos (incluindo métodos de carregamento diferentes dos descritos neste manual), especialmente se o utilizador tiver efectuado alterações ou modificações ao hardware ou software do aparelho que não tenham

sido aprovadas, recomendadas ou fornecidas pela Tedee. Estão disponíveis informações completas sobre a garantia na seguinte hiperligação: www.tedee.com/warranty, no endereço da sede do fabricante indicado na embalagem e em support@tedee.com.

tedee® é uma marca registada da Tedee Sp. z o. o. Copyright (C) 2022. Todos os direitos reservados.

DK: SIKKERHEDSINFORMATION

ADVARSEL: Læs alle sikkerhedsanvisninger og advarsler nedenfor. Hvis de ikke følges, kan det resultere i elektrisk stød, brand og/eller alvorlig personskade. Opbevar disse instruktioner til fremtidig brug. For at få adgang til den seneste, mest opdaterede version af disse instruktioner, besøg: <https://tedee.com/get-support/>

RETNINGSLINJER FOR BATTERISIKKERHED / ADVARSEL

Det batteridrevne Tedee-dørsensorsæt indeholder et enkelt ikke-genopladeligt CR2032-batteri, der ikke kan serviceres af brugeren.

ADVARSEL

- **FARE FOR INDTAGELSE:** Dette produkt indeholder et knapcelle- eller møntbatteri.
- Der kan opstå dødsfald eller alvorlig personskade ved indtagelse.
- Et knapcelle- eller møntbatteri, der sluges, kan forårsage indre kemiske forbrændinger på så lidt som 2 timer.
- Hold nye og brugte batterier uden for børns rækkevidde.
- Søg omgående lægehjælp, hvis der er mistanke om, at et batteri er blevet slugt eller stukket ind i en del af kroppen.

ANBEFALEDE BATTERIER

For at drive din Tedee-dørsensor skal du bruge 1 CR2032-batteri. Vi tillader kun brug af 3V.

ADVARSEL: Risiko for permanent skade på enheden og tab af garanti, hvis der installeres batterier med en driftsspænding på mere end 3,3 V!

GØR IKKE

- Oplad ikke ikke-genopladelige batterier. Ikke-genopladelige batterier må ikke genoplades.
- Bland ikke gamle og nye batterier, forskellige mærker eller batterityper, f.eks. alkaline, kul-zink eller genopladelige batterier.
- Batteriet må ikke skilles ad, punkteres, ændres, tapes, kastes eller udsættes for andre unødvendige stød.
- Efterlad eller opbevar ikke batteriet på varme steder, f.eks. i nærheden af en ovn, et komfur, direkte sollys eller andre varmekilder.
- Placer ikke batteriet i en mikrobølgeovn eller i en anden højtryksbeholder.
- Nedsænk ikke batteriet i væsker, og lad det ikke komme i kontakt med væsker.
- Batteriet må ikke kortsluttes.
- Brug ikke et batteri, der ser ud til at lække, være misfarvet, rustent, deformeret, udsender en lugt eller på anden måde er unormalt.
- Rør ikke ved et utæt batteri.
- Fortsæt ikke med at oplade batteriet længere end den angivne tid.
- Bortskaf IKKE batterier, enheder og tilbehør i husholdningsaffald eller forbrænd dem. Hvis det er muligt, skal du genbruge og adskille i henhold til dine lokale regler.
- Hold batteriet væk fra børn under 3 år. Hvis det sluges, skal du straks kontakte din lokale læge.
- Sørg for, at batterierne er installeret korrekt i henhold til polariteten (+ og -). Batteriernes polaritet må ikke vendes.
- Opbevar batterierne på et køligt, tørt sted ved normal stuetemperatur.

- Fjern og genbrug eller bortskaf straks brugte batterier i henhold til lokale regler, og hold dem væk fra børn.
- Fjern og genbrug eller bortskaf straks batterier fra udstyr, der ikke har været brugt i længere tid, i henhold til lokale regler.
- Brug de medfølgende batterier ved en driftstemperatur på -20 til +54 °C, og opbevar dem ved en temperatur på -30 til +45 °C. Overskridelse af disse intervaller kan resultere i beskadigelse, tab af egenskaber, lækage eller eksplosion af batteriet. Ovenstående temperaturintervaller kan variere afhængigt af batteriproducenten.
- Luk altid batterirummet helt til. Hvis batterirummet ikke kan lukkes ordentligt, skal du stoppe med at bruge produktet, fjerne batterierne og holde dem væk fra børn.

ANDRE OPLYSNINGER

- Selv brugte batterier kan forårsage alvorlig personskade eller død
- Ring til et lokalt giftkontrolcenter for at få oplysninger om behandling.
- Må ikke tvangsafledes, genoplades, skilles ad, opvarmes til over 158°F eller brændes. Det kan resultere i personskade på grund af udluftning, lækage eller eksplosion med kemiske forbrændinger til følge.
- Denne enhed er sikker at bruge under normal og rimeligt forudsigelig forkeret brug. Hvis du bemærker tegn på fejl eller hardwarefejl, skal du kontakte tedee teknisk support for at få hjælp. I så fald skal denne enhed returneres til tedee til nødvendige reparationer i henhold til garantibetingelserne. Enhver ændring eller modifikation af enhedens hardware eller software, som ikke er godkendt, anbefalet eller leveret af tedee, kan gøre din garanti ugyldig.
- Denne enhed kræver strømkilde og Bluetooth(R)-forbindelse for at fungere korrekt og kan kræve en internetforbindelse for at bruge nogle af dens funktioner. Producenten er ikke ansvarlig for potentielle problemer med rumadgang som følge af manglende internetadgang eller svigt eller opbrug af strømkilden.
- Denne enhed er ikke beregnet til brug som en del af et sikkerhedssystem i hjemmet. Producenten erklærer ikke nogen indbrudshæmmende egenskaber

eller attester, certifikater eller klasser af indbrudshæmmende beskyttelse for enheden. Producenten er ikke ansvarlig for eventuelle skader på grund af tyveri, indbrud eller indtrængen som følge af beskadigelse, overvindelse eller uautoriseret kontrol over enheden.

- Denne enhed kan kræve køb af yderligere produkter for at aktivere nogle af dens funktioner. Hvis du er i tvivl, bedes du kontakte dedee support.
- Hverken Dedee Sp. z o.o. eller vores forhandlere er ansvarlige for manglende overholdelse af ovenstående advarsler og sikkerhedsretningslinjer. Ved at købe denne enhed anerkender køberen alle risici, der er forbundet med brugen af dedee-udstyr. Hvis du ikke er enig i disse betingelser, skal du returnere enheden til producenten eller distributøren før brug.

VEDLIGEHOLDELSE

- Fjern batteriet fra enheden før rengøring. Brug ikke smøremidler, rengøringsmidler, polermidler eller luftfriskere på nogen del af enheden. Tør den kun af med en tør klud.
- Hvis det viser sig, at enhedens kabinet er slidt i en sådan grad, at integriteten af kabinettet er kompromitteret, skal du kontakte dedee teknisk support.

TEKNISK INFORMATION

Tekniske specifikationer

Model: TDSV1.0

Strømforsyning: 1 CR2032-batteri

Bluetooth®-kommunikation: BLE 5.2 2,4 GHz

Dimensioner: 30 x 64 x 14 mm (sensoren), 17 x 64 x 7 mm (magneten)

Driftstemperatur: fra 5° C til 50° C

Frekvensområde: fra 2,4 GHz til 2,483 GHz

Maksimal udgangseffekt: 8dBm

Luftfugtighed under drift: maks. 95

Anbefalet opsætning: max. 2 meter fra dedee-lås max. 2 meter fra dedee-broen

Batteriets tekniske specifikationer

Producentens navn og adresse: som vist på batteriets emballage

Kategori og ID: som vist på batterihuset

Fremstillingssted: som vist på batteriets emballage

Vægt: ~ 2,90 g

Kapacitet: ~2230mAh

Kemisk sammensætning: lithium (100%)

Andre farlige stoffer end kviksølv, cadmium eller bly: N/A

Brandslukningsmiddel: natriumklorid (NaCl), ternær eutektisk klorid (TEC)

Kritiske råmaterialer til stede i batteriet over 0,1 %: N/A

JURIDISKE / MILJØMÆSSIGE BEMÆRKNINGER

EU-overensstemmelseserklæring

Tedee Sp. z o.o. erklærer hermed, at Tedee Door Sensor TDSV1.0 radioenhed er i overensstemmelse med direktiv 2014/53/EU. Den fulde tekst af EU-overensstemmelseserklæringen er tilgængelig på følgende internetadresse: www.tedee.com/compliance.

WEEE / RoHS

For at forhindre potentiel negativ indvirkning på miljøet skal du konsultere dine lokale love og regler for korrekt bortskaffelse af elektroniske enheder og batterier i dit land. Bortskaffelse af batterier - hvis din dedee-enhed indeholder batterier, må du ikke bortskaffe dem sammen med almindeligt husholdningsaffald.

Aflever dem til en passende genbrugsstation eller et indsamlingssted. Batterier, der bruges i dedee-enheder, indeholder ikke kviksølv, cadmium eller bly over de niveauer, der er angivet i direktiv 2006/66/EF.

Bortskaffelse af elektronik - bortskaf ikke din dedee-enhed sammen med almindeligt husholdningsaffald. Aflever den til en passende genbrugsstation eller et indsamlingssted.

Bluetooth®

Bluetooth®-ordmærket og logoerne ejes af Bluetooth SIG, Inc. og enhver brug af sådanne mærker af Tedee Sp. z o.o. er under licens. Andre varemærker og handelsnavne tilhører deres respektive ejere.

Google, Android og Google Play er varemærker tilhørende Google LLC.

Apple og App Store er varemærker tilhørende Apple Inc. iOS er et varemærke eller registreret varemærke tilhørende Cisco i USA og andre lande og anvendes under licens.

GARANTI

Tedee begrænset hardwaregaranti

Tedee Sp. z o. o. garanterer, at Tedee-enheder er fri for hardwarefejl i materialer og udførelse i en periode på ikke mindre end 2 år fra datoen for det første detailkøb.

Tedee Sp. z o. o. påtager sig ikke ansvaret for misbrug af enheder (herunder andre opladningsmetoder end dem, der er beskrevet i denne vejledning), især hvis brugeren har foretaget ændringer eller modifikationer af enhedens hardware eller software, som ikke er godkendt, anbefalet eller leveret af Tedee. Fuldstændige garantioplysninger findes på følgende link: www.tedee.com/warranty, på adressen for producentens hovedkvarter, der er angivet på emballagen, og på support@tedee.com.

tedee® er et registreret varemærke tilhørende Tedee Sp. z o. o. Copyright (C) 2022. Alle rettigheder forbeholdes.

NL: VEILIGHEIDSINFORMATIE

WAARSCHUWING: Lees alle veiligheidsrichtlijnen en waarschuwingen hieronder. Als u deze niet opvolgt, kan dit leiden tot elektrische schokken, brand en/of ernstig letsel. Bewaar deze instructies voor toekomstig gebruik. Ga voor de nieuwste,

meest actuele versie van deze instructies naar: <https://tedee.com/get-support/>
VEILIGHEIDSRICHTLIJNEN VOOR BATTERIJEN / WAARSCHUWING

De Tedee deursensorset op batterijen bevat één niet-oplaadbare en niet-gebruiksvriendelijke CR2032 batterij.

WAARSCHUWING

- **INSLIKKINGSGEVAAR:** Dit product bevat een knoopcel- of muntbatterij.
- **DÓÓD** of ernstig letsel kan zich voordoen bij inslikken.
- Een ingeslikte knoopcel- of muntbatterij kan binnen 2 uur interne chemische brandwonden veroorzaken.
- Houd nieuwe en gebruikte batterijen buiten het bereik van kinderen.
- Zoek onmiddellijk medische hulp als het vermoeden bestaat dat een batterij is ingeslikt of in een lichaamsdeel is geplaatst.

AANBEVOLEN BATTERIJEN

Om uw Tedee Deursensor van stroom te voorzien, moet u 1 CR2032 batterij gebruiken. We staan alleen het gebruik van 3V.

WAARSCHUWING: Risico op permanente schade aan het apparaat en verlies van garantie als batterijen met een bedrijfsspanning van meer dan 3,3V worden geïnstalleerd!

NIET DOEN

- Laad geen niet-oplaadbare batterijen op. Niet-oplaadbare batterijen mogen niet worden opgeladen.
- Gebruik geen oude en nieuwe batterijen, batterijen van verschillende merken of types, zoals alkalinebatterijen, zinkkoolstofbatterijen of oplaadbare batterijen door elkaar.
- De batterij niet uit elkaar halen, doorboren, wijzigen, laten vallen, gooien of

andere onnodige schokken veroorzaken.

- Laat de batterij niet achter en bewaar deze niet op hete plaatsen, zoals in de buurt van een oven, fornuis, direct zonlicht of een andere warmtebron.
- Plaats de batterij niet in een magnetron of in een andere houder met hoge druk.
- Dompel de batterij niet onder in vloeistoffen en laat de batterij niet in contact komen met vloeistoffen.
- Sluit de batterij niet kort.
- Gebruik geen batterij die lekt, verkleurd, roestig of vervormd is, een geur afgeeft of op een andere manier abnormaal is.
- Raak een lekkende batterij niet aan.
- Laad de batterij niet langer op dan de aangegeven tijd.
- Gooi de batterijen, apparaten en accessoires NIET weg met het huisvuil of verbrand ze niet. Recycle en scheid indien mogelijk volgens de plaatselijke voorschriften.
- Houd de batterij uit de buurt van kinderen jonger dan 3. Neem bij inslikken onmiddellijk contact op met een arts.
- Zorg ervoor dat de batterijen correct worden geïnstalleerd volgens de polariteit (+ en -). Draai de polariteit van de batterijen niet om.
- Bewaar batterijen op een koele, droge plaats bij normale kamertemperatuur.
- Verwijder lege batterijen en gooi ze onmiddellijk weg of recycle ze volgens de plaatselijke voorschriften en houd ze uit de buurt van kinderen.
- Verwijder batterijen uit apparatuur die gedurende langere tijd niet is gebruikt en recycle deze onmiddellijk of gooi ze weg volgens de plaatselijke voorschriften.
- Gebruik de bijgeleverde batterijen bij een bedrijfstemperatuur van -20 tot +54°C en bewaar ze bij een temperatuur van -30 tot +45°C. Overschrijding van deze grenzen kan leiden tot beschadiging, verlies van eigenschappen, lekkage of explosie van de batterij. De bovenstaande temperatuurbereiken kunnen variëren afhankelijk van de fabrikant van de batterij.
- Dp sluit het batterijvak altijd volledig af. Als het batterijvak niet goed sluit, gebruik het product dan niet meer, verwijder de batterijen en houd ze uit de buurt van kinderen.

OVERIGE INFORMATIE

- Zelfs lege batterijen kunnen ernstig letsel of de dood veroorzaken
- Bel een plaatselijk antigifcentrum voor informatie over behandeling
- Niet geforceerd ontladen, opladen, uit elkaar halen, verhitten boven 158°F of verbranden. Doet u dit wel, dan kan dit leiden tot letsel als gevolg van ontluchting, lekkage of een explosie met chemische brandwonden tot gevolg.
- Dit apparaat is veilig te gebruiken bij normaal en redelijkerwijs te verwachten verkeerd gebruik. Als u tekenen van fouten of hardwarestorings opmerkt, neem dan contact op met de technische ondersteuning van tedee voor hulp. In een dergelijk geval moet dit apparaat worden teruggestuurd naar tedee voor de nodige reparaties onder de garantievoorwaarden. Alle wijzigingen of aanpassingen aan de hardware of software van het apparaat die niet zijn goedgekeurd, aanbevolen of geleverd door tedee, kunnen uw garantie ongeldig maken.
- Dit apparaat vereist een stroombron en Bluetooth(R) verbinding voor een goede werking en heeft mogelijk een internetverbinding nodig om sommige functies te kunnen gebruiken. De fabrikant is niet verantwoordelijk voor mogelijke problemen met toegang tot de kamer als gevolg van een gebrek aan internettoegang of een storing of uitputting van de voedingsbron.
- Dit apparaat is niet bedoeld voor gebruik als onderdeel van een huisbeveiligingssysteem. De fabrikant verklaart geen anti-inbraak eigenschappen of attesten, certificaten of klassen van anti-inbraak bescherming voor het apparaat. De fabrikant is niet aansprakelijk voor mogelijke schade/letsel als gevolg van diefstal, inbraak of binnendringing door beschadiging, overwinnen of onbevoegd verkrijgen van controle over het apparaat.
- Voor dit apparaat moeten mogelijk extra producten worden aangeschaft om sommige functies te kunnen gebruiken. Neem bij twijfel contact op met Tedee Support.
- Noch Tedee Sp. z o.o., noch onze dealers zijn verantwoordelijk voor het niet naleven van de bovenstaande waarschuwingen en veiligheidsrichtlijnen. Door dit apparaat aan te schaffen, erkent de koper alle risico's die gepaard gaan met het gebruik van tedee-apparatuur. Als u niet akkoord gaat met deze voorwaarden,

retourneer het apparaat dan voor gebruik aan de fabrikant of distributeur.

ONDERHOUD

- Verwijder de batterij uit het apparaat voordat u het schoonmaakt. Gebruik geen smeermiddelen, schoonmaakmiddelen, poetsmiddelen of luchtverfrissers op onderdelen van het apparaat. Veeg het alleen af met een droge doek.
- Als blijkt dat de behuizing van het apparaat zodanig versleten is dat de integriteit van de behuizing in gevaar komt, neem dan contact op met de technische ondersteuning van tedee.

TECHNISCHE INFORMATIE

Technische specificaties

Model: TDSV1.0

Stroomvoorziening: 1 CR2032-batterij

Bluetooth® communicatie: BLE 5.2 2.4GHz

Afmetingen: 30 x 64 x 14 mm (de sensor), 17 x 64 x 7 mm (de magneet)

Bedrijfstemperatuur: van 5° C tot 50° C

Frequentiebereik: van 2,4GHz tot 2,483 GHz

Maximaal uitgangsvermogen: 8dBm

Luchtvochtigheid: maximaal 95%

Aanbevolen opstelling: max. 2 meter van tedee slot max. 2 meter van tedee bridge

Technische specificaties batterij

Naam en adres fabrikant: zoals aangegeven op de batterijverpakking

Categorie en ID: zoals aangegeven op de batterijverpakking

Fabricageplaats: zoals aangegeven op de batterijverpakking

Gewicht: ~ 2.90g

Capaciteit: ~2230mAh

Chemische samenstelling: lithium (100%)

Andere gevaarlijke stoffen dan kwik, cadmium of lood: N/A

Brandblusmiddel: natriumchloride (NaCl), Ternary Eutectic Chloride (TEC)

Kritische grondstoffen aanwezig in de batterij meer dan 0,1%: N/A

WETTELIJKE OPMERKINGEN / OPMERKINGEN MET BETREKKING TOT HET MILIEU

EU-conformiteitsverklaring

Tedee Sp. z o.o. verklaart hierbij dat het Tedee Door Sensor TDSV1.0 radioapparaat in overeenstemming is met Richtlijn 2014/53/EU. De volledige tekst van de EU-verklaring van overeenstemming is beschikbaar op het volgende internetadres: www.tedee.com/compliance.

WEEE / RoHS

Om mogelijke negatieve gevolgen voor het milieu te voorkomen, dient u uw lokale wet- en regelgeving te raadplegen voor de juiste verwijdering van elektronische apparaten en batterijen in uw land. Verwijdering van batterijen - als uw tedee apparaat batterijen bevat, gooi ze dan niet weg met het gewone huisvuil. Lever ze in bij een geschikt recyclingbedrijf of inzamelpunt. Batterijen die in tedee-apparaten worden gebruikt, bevatten geen kwik, cadmium of lood boven de niveaus die zijn gespecificeerd in de richtlijn 2006/66/EC.

Verwijdering van elektronica - gooi uw tedee-apparaat niet bij het normale huishoudelijke afval. Lever het in bij een geschikt recyclingbedrijf of inzamelpunt.

Bluetooth®

Het Bluetooth®-woordmerk en de Bluetooth®-logo's zijn eigendom van Bluetooth SIG, Inc. en elk gebruik van deze merken door Tedee Sp. z o.o. gebeurt onder licentie. Andere handelsmerken en handelsnamen zijn eigendom van hun respectieve eigenaars.

Google, Android en Google Play zijn handelsmerken van Google LLC.

Apple en App Store zijn handelsmerken van Apple Inc.
iOS is een handelsmerk of gedeponerd handelsmerk van Cisco in de VS en andere landen en wordt onder licentie gebruikt.

GARANTIE

Tedee beperkte hardwaregarantie

Tedee Sp. z o. o. garandeert dat Tedee-apparaten vrij zijn van hardwaredefecten in materiaal en vakmanschap voor de periode van niet minder dan 2 jaar vanaf de datum van de eerste retailaankoop. Tedee Sp. z o. o. neemt geen verantwoordelijkheid voor verkeerd gebruik van apparaten (inclusief andere oplaadmethoden dan beschreven in deze handleiding), met name als er door de gebruiker wijzigingen of aanpassingen aan de hardware of software van het apparaat zijn aangebracht die niet zijn goedgekeurd, aanbevolen of geleverd door Tedee. Volledige garantie-informatie is beschikbaar op de volgende link: www.tedee.com/warranty, op het adres van het hoofdkantoor van de fabrikant dat op de verpakking staat vermeld, en op support@tedee.com.

tedee® is een geregistreerd handelsmerk van Tedee Sp. z o. o. Copyright (C) 2022. Alle rechten voorbehouden.

SV: SÄKERHETSINFORMATION

WARNING: Läs alla säkerhetsanvisningar och varningar som anges nedan. Underlåtenhet att följa dem kan leda till elektriska stötar, brand och/eller allvarliga personskador. Spara dessa anvisningar för framtida bruk. För att få tillgång till den senaste, mest uppdaterade versionen av dessa instruktioner, besök: <https://tedee.com/get-support/>

RIKTLINJER FÖR BATTERISÄKERHET / VARNING

Den batteridrivna Tedee dörrsensornsatsen innehåller ett enda icke uppladdningsbart-batteri som inte kan servas av användaren.

VARNING

- **FÖRTÄRINGSRISK:** Denna produkt innehåller ett knappcells- eller myntbatteri.
- Dödsfall eller allvarlig skada kan inträffa vid förtäring.
- Ett knappcells- eller myntbatteri som sväljs kan orsaka inre kemiska brännskador på så kort tid som 2 timmar.
- **FÖRVARA** nya och använda batterier utom räckhåll för barn.
- Uppsök omedelbart läkare om du misstänker att ett batteri har svalts eller förts in i någon del av kroppen.

REKOMMENDERADE BATTERIER

För att driva din Tedee dörrsensor behöver du använda 1 CR2032-batteri. Vi tillåter endast användning av 3V.

WARNING: Risk för permanent skada på enheten och garantiförlust om batterier med en driftspänning som överstiger 3,3 V installeras!

GÖR INTE

- Ladda inte icke uppladdningsbara batterier. Icke uppladdningsbara batterier får inte laddas
- Blanda inte gamla och nya batterier, olika märken eller typer av batterier, t.ex. alkaliska, kol-zink eller uppladdningsbara batterier.
- Batteriet får inte demonteras, punkteras, modifieras, tappas, kastas eller utsättas för andra onödiga stötar.
- Lämna eller förvara inte batteriet på varma platser, t.ex. i närheten av en ugn, spis, direkt solljus eller annan värmekälla.
- Placera inte batteriet i en mikrovågsugn eller i någon annan högtrycksbehållare.
- Sänk inte ned batteriet i vätskor och låt det inte komma i kontakt med vätskor.

- Kortslut inte batteriet.
- Använd inte batterier som verkar läcka, är missfärgade, rostiga, deformerade, avger lukt eller på annat sätt är onormala.
- Rör inte vid läckande batterier.
- Fortsätt inte att ladda batteriet längre än den angivna tiden.
- Kassera INTE batterier, enheter och tillbehör i hushållssoporna eller bränn dem. Om möjligt, återvinn och sortera enligt lokala bestämmelser.
- Håll batteriet borta från barn under 3 år. Om det sväljs ska du omedelbart kontakta läkare.
- Se till att batterierna är korrekt installerade enligt polaritet (+ och -). Batteriernas polaritet får inte vändas.
- Förvara batterierna på en sval och torr plats i normal rumstemperatur.
- Ta ur och återvinn eller kassera omedelbart förbrukade batterier i enlighet med lokala bestämmelser och håll dem borta från barn.
- Ta ur och återvinn eller kassera omedelbart batterier från utrustning som inte använts under en längre tid i enlighet med lokala föreskrifter
- Använd de medföljande batterierna vid en driftstemperatur på -20 till +54°C och förvara dem vid en temperatur på -30 till +45°C. Om dessa intervall överskrids kan det leda till att batteriet skadas, förlorar sina egenskaper, läcker eller exploderar. Övanstående temperaturintervall kan variera beroende på batteritillverkaren.
- Stäng alltid batterifacket helt och hållet. Om batterifacket inte kan stängas ordentligt, sluta använda produkten, ta ur batterierna och förvara dem utom räckhåll för barn.

ÖVRIG INFORMATION

- Även använda batterier kan orsaka allvarliga skador eller dödsfall
- Ring en lokal giftinformationscentral för information om behandling
- Tvinga inte urladdning, uppladdning, demontering, upphettning över 158°F eller förbränning. Om du gör det kan det leda till skador på grund av avluftning, läckage eller explosion med kemiska brännskador som följd.
- Denna enhet är säker att använda vid normal och rimligen förutsebar felaktig

användning enligt uppförandekoden. Om du märker några tecken på fel eller maskinvarufel, kontakta tedees tekniska support för hjälp. I sådana fall ska denna enhet returneras till tedee för nödvändiga reparationer enligt garantivillkoren. Alla ändringar eller modifieringar av enhetens maskinvara eller programvara som inte är godkända, rekommenderade eller tillhandahållna av tedee kan göra garantin ogiltig.

- Denna enhet kräver strömkälla och Bluetooth(R)-anslutning för att fungera korrekt och kan kräva en internetanslutning för att använda vissa av dess funktioner. Tillverkaren ansvarar inte för eventuella problem med rumsåtkomst till följd av brist på internetanslutning eller fel på eller slut på strömkällan.
- Denna enhet är inte avsedd att användas som en del av ett hemsäkerhetssystem. Tillverkaren deklarerar inte några inbrottskyddande egenskaper eller intyg, certifikat eller klasser för inbrottskydd för enheten. Tillverkaren ska inte hållas ansvarig för eventuella skador som uppstår på grund av stöld, inbrott eller intrång till följd av skador, övervinnande eller obehörig kontroll av enheten.
- Denna enhet kan kräva inköp av ytterligare produkter för att aktivera vissa av dess funktioner. Om du är osäker, kontakta Tedees support.
- Varken Tedee Sp. z o.o. eller våra återförsäljare är ansvariga för underlåtenhet att följa ovanstående varningar och säkerhetsanvisningar. Genom att köpa denna enhet godkänner köparen alla risker som är förknippade med användningen av Tedee-utrustning. Om du inte godkänner dessa villkor ska du returnera enheten till tillverkaren eller distributören före användning.

UNDERHÅLL

- Ta ut batteriet ur enheten före rengöring. Använd inte smörjmedel, rengöringsmedel, polermedel eller luftfräschare på någon del av enheten. Torka endast av den med en torr trasa.
- Om det visar sig att enhetens hölje är så slitet att höljets integritet äventyras ska du kontakta tedees tekniska support.

TEKNISK INFORMATION

Tekniska specifikationer

Modell: TDSV1.0

Strömförsörjning: 1 CR2032-batteri

Bluetooth®-kommunikation: BLE 5.2 2,4 GHz

Dimensioner: 30 x 64 x 14 mm (sensorn), 17 x 64 x 7 mm (magneten)

Drifttemperatur: från 5° C till 50° C

Frekvensområde: från 2,4GHz till 2,483GHz

Maximal uteffekt: 8dBm

Luftfuktighet vid drift: max 95%.

Rekommenderad installation: max. 2 meter från tedee-sluss max. 2 meter från

Tedee-bron

Tekniska specifikationer för batteriet

Tillverkarens namn och adress: enligt vad som anges på batteriets förpackning

Kategori och ID: enligt vad som anges på batteriets hölje

Tillverkningsort: enligt vad som anges på batteriets förpackning

Vikt: ~ 2,90 g

Kapacitet: ~2230mAh

Kemisk sammansättning: litium (100%)

Andra farliga ämnen än kvicksilver, kadmium eller bly: N/A

Brandsläckningsmedel: natriumklorid (NaCl), ternär eutektisk klorid (TEC)

Kritiska råmaterial som finns i batteriet över 0,1%: N/A

JURIDISKA / MILJÖMÄSSIGA ANMÄRKNINGAR

EU-försäkran om överensstämmelse

Tedee Sp. z o.o. förklarar härmed att Tedee Door Sensor TDSV1.0 radioenhet är i
enlighet med direktiv 2014/53/EU. Den fullständiga texten till EU-försäkran om

överensstämmelse finns tillgänglig på följande internetadress: [www.tedee.com/
compliance](http://www.tedee.com/compliance).

WEEE / RoHS

För att förhindra potentiell negativ påverkan på miljön, se lokala lagar och
förfordningar för korrekt avfallshantering av elektroniska enheter och batterier i ditt
land. Kassering av batterier - om din tedee-enhet innehåller batterier ska du inte
kassera dem tillsammans med vanligt hushållsavfall.
Lämna dem till en lämplig återvinningsanläggning eller en samlingsplats.
Batterier som används i tedee-enheter innehåller inte kvicksilver, kadmium eller bly
över de nivåer som anges i direktiv 2006/66/EG.
Kassering av elektronik - släng inte din tedee-enhet tillsammans med vanligt
hushållsavfall. Lämna den till en lämplig återvinningsanläggning eller ett
samlingsställe.

Bluetooth® -märket

Ordmärket Bluetooth® och logotyperna ägs av Bluetooth SIG, Inc. och all
användning av sådana märken av Tedee Sp. z o.o. sker under licens. Andra
varumärken och handelsnamn tillhör sina respektive ägare.

Google, Android och Google Play är varumärken som tillhör Google LLC.

Apple och App Store är varumärken som tillhör Apple Inc.
iOS är ett varumärke eller registrerat varumärke som tillhör Cisco i USA och andra
länder och används under licens.

GARANTI

Tedee begränsad hårdvarugaranti

Tedee Sp. z o. o. garanterar att Tedee-enheter är fria från hårdvarufel i material

och utförande under en period av minst 2 år från datumet för det första detaljhandelsköpet. Tedee Sp. z o. o. tar inte ansvar för felaktig användning av enheter (inklusive andra laddningsmetoder än de som beskrivs i den här handboken), särskilt om användaren har gjort ändringar eller modifieringar av enhetens maskinvara eller programvara som inte är godkända, rekommenderade eller tillhandahållna av Tedee. Fullständig garantiinformation finns tillgänglig på följande länk: www.tedee.com/warranty, på adressen till tillverkarens huvudkontor som anges på förpackningen och på support@tedee.com. tedee® är ett registrerat varumärke som tillhör Tedee Sp. z o. o. Copyright (C) 2022. Alla rättigheter förbehållna.

NO: SIKKERHETSINFORMASJON

ADVARSEL: Les alle sikkerhetsretningslinjene og advarslene nedenfor. Hvis du ikke følger dem, kan det føre til elektrisk støt, brann og/eller alvorlig personskade. Ta vare på disse instruksjonene for fremtidig bruk. For å få tilgang til den nyeste og mest oppdaterte versjonen av disse instruksjonene, besøk: <https://tedee.com/get-support/>

RETNINGSLINJER FOR BATTERISIKKERHET / ADVARSEL

Det batteridrevne Tedee-dørsensorsettet inkluderer ett enkelt ikke-oppladbart CR2032-batteri som ikke kan repareres av brukeren.

ADVARSEL

- FARE FOR FORTRYKKELSE: Dette produktet inneholder et knappcelle- eller myntbatteri.
- DØD eller alvorlig personskade kan oppstå ved svelging.
- Et knappcelle- eller myntbatteri som svelges, kan forårsake indre kjemiske forbrenninger i løpet av så lite som 2 timer.
- OPPBEVAR nye og brukte batterier UTENFOR BARNAS REKKEVIDDE.
- Oppsøk øyeblikkelig legehjelp hvis det er mistanke om at et batteri er svelget

eller satt inn i noen del av kroppen.

ANBEFALTE BATTERIER

For å drive Tedee-dørsensoren må du bruke 1 CR2032-batteri. Vi tillater kun bruk av 3V.

ADVARSEL: Fare for permanent skade på enheten og tap av garanti hvis batterier med en driftsspenning som overstiger 3,3 V er installert!

IKKE

- Ikke lad opp ikke-oppladbare batterier. Ikke lad opp ikke-oppladbare batterier
- Ikke bland gamle og nye batterier, forskjellige merker eller batterityper, for eksempel alkaliske, karbon-sink-batterier eller oppladbare batterier.
- Ikke demonter, punkter, modifier, slipp, kast eller utsett batteriet for andre unødvendige støt.
- Ikke la batteriet ligge eller oppbevares på varme steder, f.eks. i nærheten av stekeovn, komfyr, direkte sollys eller andre varmekilder.
- Ikke plasser batteriet i en mikrobølgeovn eller i andre høytrykksbeholdere.
- Ikke senk batteriet ned i væsker eller la det komme i kontakt med væsker.
- Ikke kortslutt batteriet.
- Ikke bruk batterier som ser ut til å lekke, være misfarget, rustent, deformert, avgir lukt eller på annen måte er unormalt.
- Ikke ta på et batteri som lekker.
- Ikke fortsett å lade batteriet lenger enn den angitte tiden.
- Batterier, enheter og tilbehør må IKKE kastes i husholdningsavfallet eller forbrennes. Hvis mulig, resirkuler og sorter i henhold til lokale forskrifter.
- Hold batteriet borte fra barn under 3 år. Ved svelging må du kontakte lege umiddelbart.
- Sørg for at batteriene er satt inn riktig i henhold til polariteten (+ og -). Ikke bytt om på batteripolariteten.
- Oppbevar batteriene på et kjølig, tørt sted ved normal romtemperatur.

- Ta ut og resirkuler eller kast brukte batterier umiddelbart i henhold til lokale forskrifter, og hold dem borte fra barn.
- Ta ut og resirkuler eller kast umiddelbart batterier fra utstyr som ikke har vært i bruk over lengre tid, i henhold til lokale forskrifter.
- Bruk de medfølgende batteriene ved en driftstemperatur på -20 til +54 °C, og oppbevar dem ved en temperatur på -30 til +45 °C. Overskridelse av disse temperaturområdene kan føre til skade, tap av egenskaper, lekkasje eller eksplosjon av batteriet. Temperaturområdene ovenfor kan variere avhengig av batteriproduzenten.
- Batterirommet må alltid lukkes helt. Hvis batterirommet ikke lukkes ordentlig, må du slutte å bruke produktet, ta ut batteriene og holde dem borte fra barn.

ANNEN INFORMASJON

- Selv brukte batterier kan forårsake alvorlig personskade eller død.
- Ring en lokal giftinformasjonssentral for informasjon om behandling
- Ikke tvangsutlad, lad opp, demonter, varm opp til over 158°F eller brenn. Dette kan føre til personskade på grunn av utlufting, lekkasje eller eksplosjon som kan føre til kjemiske forbrenninger.
- Denne enheten er trygg å bruke under normale og rimelig forutsigbare feilbruk. Hvis du oppdager tegn på feil eller maskinvarefeil, må du kontakte tedee teknisk support for å få hjelp. I slike tilfeller skal enheten returneres til tedee for nødvendige reparasjoner i henhold til garantibetingelsene. Eventuelle endringer eller modifikasjoner av enhetens maskinvare eller programvare som ikke er godkjent, anbefalt eller levert av tedee, kan gjøre garantien ugyldig.
- Denne enheten krever strømkilde og Bluetooth(R)-tilkobling for å fungere korrekt, og kan kreve en Internett-tilkobling for å bruke noen av funksjonene. Produsenten er ikke ansvarlig for eventuelle problemer med tilgang til rommet som følge av manglende internettilgang eller svikt i eller oppbrukt strømkilde.
- Denne enheten er ikke beregnet for bruk som en del av et sikkerhetssystem i hjemmet. Produsenten oppgir ingen innbruddshemmende egenskaper eller attester, sertifikater eller klasser for innbruddshemmende beskyttelse for enheten. Produsenten er ikke ansvarlig for eventuelle skader som kan oppstå på

grunn av tyveri, innbrudd eller inntrenging som følge av skade, overtakelse eller uautorisert kontroll over enheten.

- Denne enheten kan kreve kjøp av tilleggsprodukter for å aktivere noen av funksjonene. Hvis du er i tvil, vennligst kontakt Tedee support.
- Verken Tedee Sp. z o.o. eller våre forhandlere er ansvarlige for manglende overholdelse av advarslene og sikkerhetsretningslinjene ovenfor. Ved å kjøpe denne enheten erkjenner kjøperen alle risikoer forbundet med bruk av tedee-utstyr. Hvis du ikke godtar disse vilkårene, må du returnere enheten til produsenten eller distributøren før bruk.

VEDLIKEHOLD

- Ta ut batteriet fra enheten før rengjøring. Ikke bruk smøremidler, rengjøringsmidler, poleringsmidler eller luftfriskere på noen deler av enheten. Tørk den kun av med en tørr klut.
- Hvis det viser seg at apparatet er slitt i en slik grad at integriteten til huset er kompromittert, må du kontakte tedee teknisk support.

TEKNISK INFORMASJON

Tekniske spesifikasjoner

Modell: TDSV1.0

Strømforsyning 1 CR2032-batteri

Bluetooth®-kommunikasjon: BLE 5.2 2,4 GHz

Dimensjoner: 30 x 64 x 14 mm (sensoren), 17 x 64 x 7 mm (magneten)

Driftstemperatur: fra 5° C til 50° C

Frekvensområde: fra 2,4 GHz til 2,483 GHz

Maksimal utgangseffekt: 8 dBm

Luftfuktighet ved drift: maks. 95

Anbefalt oppsett: maks. 2 meter fra tedee-lås maks. 2 meter fra tedee-broen

Tekniske spesifikasjoner for batteriet

Produsentens navn og adresse: som vist på batteriets emballasje
Kategori og ID: som vist på batterihuset
Produksjonssted: som vist på batteriets emballasje
Vekt: ~ 2,90 g
Kapasitet: ~ 2230 mAh
Kjemisk sammensetning: litium (100 %)
Andre farlige stoffer enn kvikksølv, kadmiium eller bly: N/A
Brannsløkkingsmiddel: natriumklorid (NaCl), Ternary Eutectic Chloride (TEC)
Kritiske råmaterialer i batteriet over 0,1 %: N/A

JURIDISKE / MILJØMESSIGE MERKNADER

EU-samsvarserklæring

Tedee Sp. z o.o. erklærer herved at Tedee Door Sensor TDSV1.0 radioenhet er i samsvar med direktiv 2014/53/EU. Den fullstendige teksten til EU-samsvarserklæringen er tilgjengelig på følgende internettadresse: www.tedee.com/compliance.

WEEE / RoHS

For å forhindre potensiell negativ innvirkning på miljøet, må du ta kontakt med lokale lover og forskrifter for korrekt avhending av elektronisk utstyr og batterier i ditt land. Kassering av batterier - hvis tedee-enheten din inneholder batterier, må du ikke kaste dem sammen med vanlig husholdningsavfall. Lever dem til et egnet resirkuleringsanlegg eller et innsamlingssted. Batterier som brukes i tedee-enheter, inneholder ikke kvikksølv, kadmiium eller bly over nivåene som er spesifisert i direktiv 2006/66/EF. Avhending av elektronikk - ikke kast tedee-enheten sammen med vanlig husholdningsavfall. Lever den til et egnet resirkuleringsanlegg eller et innsamlingssted.

Bluetooth®

Bluetooth®-ordmerket og logoene eies av Bluetooth SIG, Inc. og all bruk av slike merker av Tedee Sp. z o.o. er under lisens. Andre varemerker og handelsnavn tilhører sine respektive eiere.

Google, Android og Google Play er varemerker som tilhører Google LLC.

Apple og App Store er varemerker som tilhører Apple Inc. iOS er et varemerke eller registrert varemerke tilhørende Cisco i USA og andre land, og brukes under lisens.

GARANTI

Tedee begrenset maskinvaregaranti
Tedee Sp. z o.o. garanterer at Tedee-enheter er fri for maskinvarefeil i materialer og utførelse i en periode på minst 2 år fra datoen for det første detaljhandelskjøpet. Tedee Sp. z o.o. påtar seg ikke ansvar for feil bruk av enheter (inkludert andre lademetoder enn de som er beskrevet i denne bruksanvisningen), spesielt hvis brukeren har foretatt endringer eller modifikasjoner på enhetens maskinvare eller programvare som ikke er godkjent, anbefalt eller levert av Tedee. Fullstendig garantiinformasjon er tilgjengelig på følgende lenke: www.tedee.com/warranty, på adressen til produsentens hovedkontor som er angitt på emballasjen, og på support@tedee.com.

tedee® er et registrert varemerke som tilhører Tedee Sp. z o. o. Copyright (C) 2022. Alle rettigheter forbeholdt.

FI: TURVALLISUUSTIETOJA

VAROITUS: Lue kaikki alla olevat turvallisuusohjeet ja varoitukset. Niiden noudattamatta jättäminen voi aiheuttaa sähköiskun, tulipalon ja/tai vakavan loukkaantumisen. Säilytä nämä ohjeet tulevaa käyttöä varten. Näiden ohjeiden usin

ja ajantasaisin versio on saatavilla osoitteessa: <https://tedee.com/get-support/>.

AKUN TURVALLISUUSOHJEET / VAROITUS

Paristokäyttöinen Tedee-ovitunnistinsarja sisältää yhden ei-ladattavan ja ei-käyttökelpoisen CR2032-pariston.

VAROITUS

- SYÖPÄVAARA: Tämä tuote sisältää nappipariston tai kolikkopariston.
- Nieleminen voi aiheuttaa kuoleman tai vakavan vamman.
- Nieleistu nappiparisto tai kolikkoparisto voi aiheuttaa sisäisiä kemiallisia palovammoja jopa 2 tunnissa.
- PIDÄ uudet ja käytetyt paristot LASTEN ULKOPUOLELLA.
- Hakeudu välittömästi lääkärin hoitoon, jos pariston epäillään joutuneen niellyksi tai työnnettyksi johonkin kehon osaan.

SUOSITELLUT PARISTOT

Tedee-ovitunnistimen käyttämiseen tarvitaan 1 CR2032-paristo. Sallimme vain 3V:n käyttöä.

VAROITUS: Laitteen pysyvän vaurioitumisen ja takuun menettämisen vaara, jos asennetaan paristoja, joiden käyttöjännite ylittää 3,3V!

ÄLÄ

- Älä lataa ei-ladattavia paristoja. Ei ladattavia paristoja ei saa ladata uudelleen.
- Älä sekoita vanhoja ja uusia paristoja, eri merkisiä tai erityyppisiä paristoja, kuten alkaliparistoja, hiilisinkkiparistoja tai ladattavia paristoja keskenään
- Älä pura, puhkaise, muokkaa, pudota, heitä tai aiheuta muita tarpeettomia iskuja paristolle.
- Älä jätä tai säilytä paristoa kuumissa paikoissa, kuten uunin, liedon, suoran auringonvalon tai muun lämmönlähteen lähellä.

- Älä aseta akkua mikroaaltouuniin tai muuhun korkeapaineiseen astiaan.
- Älä upota akkua nesteisiin tai anna sen joutua kosketuksiin nesteiden kanssa
- Älä oikosulje akkua.
- Älä käytä akkua, joka näyttää vuotavalta, värjäytyneeltä, ruosteiselta tai epämuodostuneelta, josta lähtee hajua tai joka on muuten epänormaali.
- Älä koske vuotavaan akkuun.
- Älä jatka akun lataamista määriteltyä aikaa pidempään.
- ÄLÄ hävitä paristoja, laitteita ja niiden lisävarusteita kotitalousroskiin tai polta niitä. Kierrätä ja lajittele mahdollisuuksien mukaan paikallisten määräysten mukaisesti.
- Pidä paristo poissa alle 3-vuotiaiden lasten ulottuvilta. Jos sitä on nielty, ota välittömästi yhteyttä paikalliseen lääkäriin.
- Varmista, että paristot on asennettu oikein napaisuuden (+ ja -) mukaisesti. Älä käännä paristojen napaisuutta.
- Säilytä paristot viileässä, kuivassa paikassa normaalissa huoneenlämmössä.
- Poista ja kierrätä tai hävitä käytetyt paristot välittömästi paikallisten määräysten mukaisesti ja pidä ne poissa lasten ulottuvilta.
- Poista ja kierrätä tai hävitä välittömästi paristot laitteista, joita ei ole käytetty pitkään aikaan, paikallisten määräysten mukaisesti.
- Käytä mukana toimitettuja paristoja käyttölämpötilassa -20 - +54 °C ja säilytä niitä lämpötilassa -30 - +45 °C. Näiden alueiden ylittäminen voi johtaa akun vaurioitumiseen, ominaisuuksien menettämiseen, vuotoon tai räjähdykseen. Edellä mainitut lämpötila-alueet voivat vaihdella akun valmistajan mukaan.
- Dp lukitse akkulokero aina kokonaan. Jos paristolokero ei sulkeudu kunnolla, lopeta tuotteen käyttö, poista paristot ja pidä ne poissa lasten ulottuvilta.

MUUT TIEDOT

- Myös käytetyt paristot voivat aiheuttaa vakavia vammoja tai kuoleman
- Soita paikalliseen myrkytystietokeskukseen saadaksesi hoitotietoja
- Älä purkaa väkisin, lataa, pura, kuumenna yli 158°F tai polta. Näin tekeminen voi aiheuttaa vammoja, jotka johtuvat ilmanpoistosta, vuodosta tai räjähdyksestä, joka johtaa kemiallisiin palovammoihin.

- Tätä laitetta on turvallista käyttää normaalin ja kohtuudella ennakoitavissa olevan väärinkäytön käyttöohjeiden mukaisesti. Jos huomaat merkkejä virheistä tai laitteiston toimintahäiriöistä, ota yhteyttä tedeen tekniseen tukeen. Tällaisessa tapauksessa tämä laite on palautettava tedeelle tarvittavia korjauksia varten takuuehtojen mukaisesti. Kaikki laitteen laitteistoon tai ohjelmistoon tehdyt muutokset tai modifikaatiot, jotka eivät ole tedeen hyväksymiä, suosittelemia tai toimittamia, voivat mitätöidä takuun.
- Tämä laite vaatii virtalähteen ja Bluetooth(R)-yhteyden toimiakseen oikein ja saattaa vaatia Internet-yhteyden joidenkin ominaisuuksien käyttämiseksi. Valmistaja ei ole vastuussa mahdollisista huonekäyttöongelmista, jotka johtuvat internet-yhteyden puuttumisesta tai virtalähteen vikaantumisesta tai loppumisesta.
- Tätä laitetta ei ole tarkoitettu käytettäväksi osana kodin turvajärjestelmää. Valmistaja ei ilmoita laitteelle murtosuojaominaisuuksia tai todistuksia, sertifiikatteja tai murtosuojausluokkia. Valmistaja ei ole vastuussa mahdollisista varkaudesta, murtovarkaudesta tai tunkeutumisesta aiheutuvista vahingoista/vammoista, jotka johtuvat laitteen vahingoittumisesta, ylittämisestä tai luvattomasta haltuunotosta.
- Tämä laite saattaa vaatia lisätuotteiden hankkimista, jotta jotkin sen ominaisuuksista voidaan ottaa käyttöön. Jos olet epävarma, ota yhteyttä tedeeseen.
- Tedee Sp. z o.o. tai jälleenmyyjämme eivät ole vastuussa edellä mainittujen varoitusten ja turvallisuusohjeiden noudattamatta jättämisestä. Ostamalla tämän laitteen ostaja hyväksyy kaikki tede-laitteiden käyttöön liittyvät riskit. Jos et hyväksy näitä ehtoja, palauta laite valmistajalle tai jälleenmyyjälle ennen käyttöä.

HUOLTO

- Poista akku laitteesta ennen puhdistusta. Älä käytä mitään voiteluaineita, puhdistusaineita, kiillotusaineita tai ilmanraikastimia missään laitteen osassa. Pyyhi se vain kuivalla liinalla.
- Jos laitteen kotelon havaitaan kuluneen siinä määrin, että kotelon eheys on

vaarantunut, ota yhteyttä tedeeseen tekniseen tukeen.

TEKNINEN TIETO

Tekniset tiedot

Malli: TDSV1.0

Virtalähde: 1 CR2032 paristo

Bluetooth®-yhteys: BLE 5.2 2.4GHz

Mitat: 30 x 64 x 14 mm (anturi), 17 x 64 x 7 mm (magneetti).

Käyttölämpötila: 5° C - 50° C

Taajuusalue: 2,4 GHz-2,483 GHz.

Suurin lähtöteho: 8dBm

Käyttökosteus: enintään 95 %

Suosittelut asennus: max. 2 metrin päässä tede-lukosta max. 2 metriä tede-sillasta

Akun tekniset tiedot

Valmistajan nimi ja osoite: kuten akun pakkauksessa on ilmoitettu.

Luokka ja tunnus: kuten akun kotelossa on ilmoitettu.

Valmistuspaikka: kuten akun pakkauksessa on ilmoitettu.

Paino: ~ 2,90 g

Kapasiteetti: ~2230mAh

Kemiallinen koostumus: litium (100 %)

Muut vaaralliset aineet kuin elohopea, kadmium tai lyijy: N/A

Palonsammutusaine: natriumkloridi (NaCl), ternaarinen eutektinen kloridi (TEC).

Kriittiset raaka-aineet, joita akussa on yli 0,1 %: N/A

OIKEUDELLISET / YMPÄRISTÖÖN LIITTYVÄT HUOMAUTUKSET

EU:n vaatimustenmukaisuusvakuutus

Tedee Sp. z o.o. vakuuttaa täten, että Tedee Door Sensor TDSV1.0 -radiolaite on

direktiivin 2014/53/EU mukainen. EU:n vaatimustenmukaisuusvakuutuksen koko teksti on saatavilla seuraavasta internet-osoitteesta: www.tedee.com/compliance.

WEEE / RoHS

Mahdollisten kielteisten ympäristövaikutusten välttämiseksi tutustu paikallisiin lakeihin ja määräyksiin, jotka koskevat elektronisten laitteiden ja paristojen asianmukaista hävittämistä maassasi. Paristojen hävittäminen - jos tedee-laitteesi sisältää paristoja, älä hävitä niitä tavallisen kotitalousjätteen mukana. Toimita ne asianmukaiseen kierrätyslaitokseen tai keräyspisteeseen. Tedee-laitteissa käytetyt paristot eivät sisällä elohopeaa, kadmiumia tai lyijyä yli direktiivissä 2006/66/EY määritettyjen tasojen. Elektroniikan hävittäminen - älä hävitä tedee-laitetta tavallisen kotitalousjätteen mukana. Toimita se asianmukaiseen kierrätyslaitokseen tai keräyspisteeseen.

Bluetooth®

Bluetooth®-sanamerkki ja logot ovat Bluetooth SIG, Inc:n omistuksessa, ja Tedee Sp. z o.o. käyttää näitä merkkejä lisenssillä. Muut tavaramerkit ja kauppanimet ovat niiden omistajien tavaramerkkejä ja kauppanimiä.

Google, Android ja Google Play ovat Google LLC:n tavaramerkkejä.

Apple ja App Store ovat Apple Inc:n tavaramerkkejä. iOS on Ciscon tavaramerkki tai rekisteröity tavaramerkki Yhdysvalloissa ja muissa maissa, ja sitä käytetään lisenssillä.

TAKUU

Tedeen rajoitettu laitteistotakuu

Tedee Sp. z o. o. takaa, että Tedee-laitteissa ei ole materiaali- ja valmistusvirheitä

laitteistoissa vähintään kahden vuoden ajan ensimmäisestä vähittäiskaupan ostopäivästä. Tedee Sp. z o. o. ei ota vastuuta laitteiden väärinkäytöstä (mukaan lukien muut kuin tässä käyttöohjeessa kuvatut latausmenetelmät), varsinkaan jos käyttäjä on tehnyt laitteen laitteistoon tai ohjelmistoon muutoksia tai modifikaatioita, jotka eivät ole Tedeen hyväksymiä, suosittelemia tai toimittamia. Täydelliset takuutiedot ovat saatavilla seuraavasta linkistä: www.tedee.com/warranty, pakkauksessa ilmoitetusta valmistajan pääkonttorin osoitteesta ja osoitteesta support@tedee.com.

tedee® on Tedee Sp. z o. o:n rekisteröity tavaramerkki. Copyright (C) 2022. Kaikki oikeudet pidätetään.

RO: INFORMAȚII SIGURANȚĂ

AVERTISMENT: Citiți toate instrucțiunile de siguranță și avertismentele furnizate mai jos. Nerespectarea acestora poate duce la șoc electric, incendiu și / sau vătămări grave. Păstrați aceste instrucțiuni pentru utilizare ulterioară. Pentru a accesa cea mai recentă și actualizată versiune a acestor instrucțiuni, vizitați: <https://tedee.com/get-support/>

INSTRUCȚIUNI DE SIGURANȚĂ PENTRU BATERII / AVERTISMENT

Setul Tedee Door Sensor alimentat cu baterie include o singură baterie CR2032 nereîncărcabilă și neutilizabilă.

AVERTISMENT

- PERICOL DE INGESTIE: Acest produs conține o baterie tip buton sau monedă.
- Moartea sau rănirea gravă poate avea loc în cazul ingerării.
- Înghițirea unei baterii de tip buton sau de tip monedă poate provoca arsuri chimice interne în doar 2 ore.
- ȚINEȚI bateriile noi și uzate FĂRĂ A FI LA ÎNDEMÂNĂ COPILOR.
- Solicitați imediat asistență medicală dacă se suspectează că o baterie a fost

înghițită sau introdusă în orice parte a corpului.

BATERII RECOMANDATE

Pentru a alimenta senzorul de ușa Tedee, trebuie să utilizați 1 baterie CR2032. Noi permitem numai utilizarea celor de 3V.

AVERTISMENT: Risc de deteriorare permanentă a dispozitivului și de pierdere a garanției dacă sunt instalate baterii cu o tensiune de funcționare mai mare de 3,3V!

NU

- Nu ncărcați acumulatorii nereîncărcabili. Acumulatorii nereîncărcabili nu trebuie să fie reîncărcați
- Nu amestecați baterii vechi și noi, diferite mărci sau tipuri de baterii, cum ar fi baterii alcaline, carbon-zinc sau reîncărcabile
- Nu dezasamblați, perforați, modificați, scăpați, aruncați sau provocați alte șocuri inutile bateriei.
- Nu lăsați sau nu depozitați bateria în locuri fierbinți, cum ar fi în apropierea unui cuptor, a unei sobe, a luminii solare directe sau a altei surse de căldură.
- Nu introduceți bateria într-un cuptor cu microunde sau în orice alt recipient cu presiune ridicată.
- Nu scufundați bateria în lichide și nu permiteți ca aceasta să intre în contact cu lichidele.
- Nu scurtcircuitați bateria.
- Nu utilizați bateria care pare să aibă scurgeri, să fie decolorată, ruginită, deformată, să emită un miros sau să prezinte alte anomalii.
- Nu atingeți bateria cu scurgeri.
- Nu continuați să încărcați bateria mai mult decât timpul specificat.
- NU aruncați bateriile, dispozitivele și accesoriile acestora la gunoierul menajer sau incinerati-le. Dacă este posibil, reciclați și separați în conformitate cu reglementările locale
- Țineți bateria departe de copiii sub vârsta de 3 ani. Dacă este înghițită, contactați

imediat asistența medicală locală.

- Asigurați-vă că bateriile sunt instalate corect în conformitate cu polaritatea (+ și -). Nu inversați polaritatea bateriilor.
- Depozitați bateriile într-un loc răcoros și uscat, la temperatura normală a camerei.
- Scoateți și reciclați sau eliminați imediat bateriile uzate în conformitate cu reglementările locale și țineți-le departe de copii
- Îndepărtați și reciclați sau eliminați imediat bateriile de la echipamentele neutilizate pentru o perioadă îndelungată de timp în conformitate cu reglementările locale
- Utilizați bateriile incluse la o temperatură de funcționare între -20 și +54°C și depozitați-le la o temperatură între -30 și +45°C. Depășirea acestor intervale poate duce la deteriorarea, pierderea proprietăților, scurgere sau explozie a bateriei. Intervalele de temperatură de mai sus pot varia în funcție de producătorul bateriei.
- Dp întotdeauna închideți complet compartimentul bateriei. Dacă compartimentul bateriei nu se închide bine, nu mai utilizați produsul, scoateți bateriile și păstrați-le departe de copii

ALTE INFORMAȚII

- Chiar și bateriile folosite pot provoca vătămări grave sau deces
- Sunați la un centru local de control al otrăvirii pentru informații privind tratamentul
- Nu forțați descărcarea, reîncărcarea, dezasamblarea, încălzirea la peste 158 °F sau incinerarea. Acest lucru poate duce la vătămări cauzate de aerisire, scurgeri sau explozii care duc la arsuri chimice
- Acest dispozitiv este sigur de utilizat în condiții normale și rezonabil previzibile de utilizare greșită a codului de conduită operațională. Dacă observați orice semne de erori sau defecțiuni hardware, contactați asistența tehnică tedee pentru ajutor. În acest caz, acest dispozitiv trebuie returnat la tedee pentru reparațiile necesare în condițiile de garanție. Orice schimbări sau modificări ale hardware-ului sau software-ului dispozitivului care nu sunt aprobate,

recomandate sau furnizate de dedee vă pot anula garanția.

- Acest dispozitiv necesită o sursă de alimentare și o conexiune Bluetooth(R) pentru funcționarea corectă și poate necesita o conexiune la internet pentru a utiliza unele dintre caracteristicile sale. Producătorul nu este responsabil pentru eventualele probleme de acces la cameră rezultate din lipsa accesului la internet sau din defectarea sau epuizarea sursei de alimentare.
- Acest dispozitiv nu este destinat utilizării ca parte a unui sistem de securitate a locuinței. Producătorul nu declară proprietăți antifracție sau atestări, certificate sau clase de protecție antifracție pentru dispozitiv. Producătorul nu este răspunzător pentru eventualele daune/vătămări suferite în urma unui furt, a unei spargerii sau a unei intruziuni care rezultă din deteriorarea, depășirea sau preluarea neautorizată a controlului asupra dispozitivului.
- Acest dispozitiv poate necesita achiziționarea de produse suplimentare pentru a activa unele dintre caracteristicile sale. În caz de îndoială, vă rugăm să contactați asistența dedee.
- Nici Dedee Sp. z o.o., nici comercianții noștri cu amănuntul nu sunt responsabili pentru nerespectarea avertismentelor și a instrucțiunilor de siguranță de mai sus. Prin achiziționarea acestui dispozitiv, cumpărătorul recunoaște toate riscurile asociate cu utilizarea echipamentelor dedee. Dacă nu sunteți de acord cu acești termeni, returnați dispozitivul la producător sau distribuitor înainte de utilizare.

ÎNȚREȚINERE

- Scoateți bateria din dispozitiv înainte de curățare. Nu utilizați lubrifianți, agenți de curățare, produse de lustruire sau odorizante pe nicio parte a dispozitivului. Ștergeți-l numai cu o cârpă uscată.
- Dacă se constată că carcasa dispozitivului este uzată în așa măsură încât integritatea acesteia este compromisă, contactați asistența tehnică dedee.

INFORMAȚIETEHNICĂ

Specificații tehnice

Model: TDSV1.0

Sursă de alimentare: 1 baterie CR2032

Comunicare Bluetooth®: BLE 5.2 2.4GHz

Dimensiuni: 30 x 64 x 14 mm (senzorul), 17 x 64 x7 mm (magnetul)

Temperatura de funcționare: de la 5° C la 50° C

Gama de frecvențe: de la 2,4GHz la 2,483GHz

Puterea maximă de ieșire: 8dBm

Umiditate de funcționare: maxim 95%

Configurație recomandată: max. 2 metri de la încuietorea dedee max. 2 metri de podul dedee

Specificații tehnice ale bateriei

Numele și adresa producătorului: așa cum apar pe ambalajul bateriei

Categoria și ID-ul: așa cum sunt indicate pe carcasa bateriei

Locul de fabricație: așa cum este indicat pe ambalajul bateriei

Greutate: ~ 2.90g

Capacitate: ~2230mAh

Compoziție chimică: litiu (100%)

Substanțe periculoase altele decât mercur, cadmiu sau plumb: N/A

Agent de stingere a incendiului: clorură de sodiu (NaCl), clorură eutectică ternară (TEC)

Materii prime critice prezente în baterie peste 0,1%: N/A

NOTE JURIDICE / DE MEDIU

Declarația de conformitate UE

Tedee Sp. z o.o. declară prin prezenta că dispozitivul radio Tedee Door Sensor TDSV1.0 este în conformitate cu Directiva 2014/53/UE. Textul integral al Declarației de conformitate UE este disponibil la următoarea adresă de internet: www.tedee.com/compliance.

WEEE / RoHS

Pentru a preveni potențialul impact negativ asupra mediului, consultați legile și reglementările locale pentru eliminarea corespunzătoare a dispozitivelor electronice și a bateriilor în țara dvs. Eliminarea bateriilor - dacă dispozitivul dvs. tedee conține baterii, nu le eliminați împreună cu deșeurile menajere obișnuite.

Predați-le la o instalație de reciclare adecvată sau la un punct de colectare. Bateriile utilizate în dispozitivele tedee nu conțin mercur, cadmiu sau plumb peste nivelurile specificate în Directiva 2006/66/CE.

Eliminarea electronicelor - nu aruncați dispozitivul tedee împreună cu deșeurile menajere obișnuite. Predați-l la o instalație de reciclare adecvată sau la un punct de colectare.

Bluetooth®

Marca verbală și logo-urile Bluetooth® sunt deținute de Bluetooth SIG, Inc. și orice utilizare a acestor mărci de către Tedee Sp. z o.o. este sub licență. Alte mărci comerciale și denumiri comerciale aparțin proprietarilor lor respectivi.

Google, Android și Google Play sunt mărci comerciale ale Google LLC.

Apple și App Store sunt mărci comerciale ale Apple Inc. iOS este o marcă comercială sau o marcă comercială înregistrată a Cisco în S.U.A. și în alte țări și este utilizată sub licență.

GARANȚIE

Garanție limitată pentru hardware Tedee

Tedee Sp. z o. o. garantează că dispozitivele Tedee sunt lipsite de defecte hardware de materiale și manoperă pentru o perioadă de cel puțin 2 ani de la data primei achiziții cu amănuntul. Tedee Sp. z o. o. nu își asumă responsabilitatea pentru utilizarea necorespunzătoare a dispozitivelor (inclusiv metode de încărcare altele

decât cele descrise în acest manual), în special dacă utilizatorul a efectuat schimbări sau modificări ale hardware-ului sau software-ului dispozitivului care nu sunt aprobate, recomandate sau furnizate de Tedee. Informații complete privind garanția sunt disponibile la următorul link: www.tedee.com/warranty, la adresa sediului producătorului indicată pe ambalaj și la support@tedee.com.

tedee® este o marcă înregistrată a Tedee Sp. z o. o. Copyright (C) 2022. Toate drepturile rezervate.

ВГ: ИНФОРМАЦИЯ ЗА БЕЗОПАСНОСТ

ПРЕДУПРЕЖДЕНИЕ: Прочетете всички указания за безопасност и предупреждения, посочени по-долу. Неспазването им може да доведе до токов удар, пожар и/или сериозно нараняване. Съхранявайте тези инструкции за бъдеща употреба. За да получите достъп до последната, най-актуална версия на тези инструкции, посетете: <https://tedee.com/get-support/>

УКАЗАНИЯ ЗА БЕЗОПАСНОСТ НА БАТЕРИЯТА / ПРЕДУПРЕЖДЕНИЯ

Захранваният с батерии комплект Tedee Door Sensor (Сензор за врата) включва една незареждаща се и необслужваема батерия CR2032.

ПРЕДУПРЕЖДЕНИЕ

- Опасност от поглъщане: Този продукт съдържа батерия с копче или монета.
- При поглъщане може да настъпи СМЪРТ или сериозно нараняване.
- Погълнатата клетъчна батерия с копчета или монети може да причини вътрешни химически изгаряния само за 2 часа.
- ДЪРЖАТЕ новите и използваните батерии ИЗВЪН ДОСТЪП НА ДЕЦА.
- Незабавно потърсете медицинска помощ, ако има съмнение, че батерията е погълната или поставена във вътрешността на някоя част на тялото.

ПРЕПОРЪЧИТЕЛНИ БАТЕРИИ

За да захраните вашия сензор за врата Tedee, трябва да използвате 1 батерия CR2032. Ние разрешаваме само да използваме 3V.

ПРЕДУПРЕЖДЕНИЕ: Опасност от трайна повреда на устройството и загуба на гаранцията, ако са инсталирани батерии с работно напрежение, надвишаващо 3,3 V!

НЕ ИЗПРАЩАЙТЕ

- Не зареждайте батерии, които не могат да се презареждат. Батериите, които не могат да се презареждат, не трябва да се зареждат
- Не смесвайте стари и нови батерии, различни марки или видове батерии, като алкални, въглеродно-цинкови или акумулаторни батерии
- Не разглобявайте, не пробивайте, не модифицирайте, не изпускайте, не хвърляйте и не причинявайте други ненужни удари на батерията.
- Не оставяйте и не съхранявайте батерията на горещи места, като например в близост до фурна, печка, пряка слънчева светлина или друг източник на топлина.
- Не поставяйте батерията в микровълнова фурна или в друг съд с високо налягане.
- Не потапяйте батерията в течности и не позволявайте тя да влезе в контакт с течности.
- Не включвайте батерията на късо.
- Не използвайте акумулаторна батерия, която изглежда течача, с променен цвят, ръждясала, деформирана; излъчваща миризма; или е необичайна по друг начин.
- Не докосвайте изтичаща батерия.
- Не продължавайте да зареждате батерията по-дълго от определеното време.
- НЕ изхвърляйте батериите, устройствата и аксесоарите към тях в домашния боклук или не ги изгаряйте. Ако е възможно, рециклирайте и сегрегирайте

в съответствие с местните разпоредби

- Съхранявайте батерията далеч от деца на възраст под 3 г. Ако я погълнете, незабавно се свържете с местната медицинска помощ.
- Уверете се, че батериите са монтирани правилно в съответствие с полярността (+ и -). Не обръщайте полярността на батериите.
- Съхранявайте батериите на хладно и сухо място при нормална стайна температура.
- Изваждайте и незабавно рециклирайте или изхвърляйте използваните батерии в съответствие с местните разпоредби и ги пазете далеч от деца.
- Изваждайте и незабавно рециклирайте или изхвърляйте батериите от оборудване, което не е използвано за продължителен период от време, в съответствие с местните разпоредби.
- Използвайте включените в комплекта батерии при работна температура от -20 до +54°C и ги съхранявайте при температура от -30 до +45°C. Превिшаването на тези диапазони може да доведе до повреда, загуба на свойства, изтичане или експлозия на батерията. Горепосочените температурни диапазони могат да варират в зависимост от производителя на батерията.
- Др винаги обезопасявайте напълно отделението за батерии. Ако отделението за батерии не се затваря добре, спрете да използвате продукта, извадете батериите и ги дръжте далеч от деца

ДРУГА ИНФОРМАЦИЯ

- Дори използваните батерии могат да причинят тежки наранявания или смърт
- Обадете се на местния център за контрол на отравянията за информация за лечение
- Не разреждайте принудително, не презареждайте, не разглобявайте, не нагривайте над 158°F и не изгаряйте. Това може да доведе до нараняване поради изпускане, изтичане или експлозия, водеща до химически изгаряния
- Това устройство е безопасно за използване при нормална и разумно

предвидима неправилна употреба, като се спазва кодексът за работа. Ако забележите някакви признаци на грешки или хардуерна неизправност, свържете се с техническата поддръжка на tedee за помощ. В такъв случай това устройство трябва да бъде върнато на tedee за необходимия ремонт съгласно гаранционните условия. Всякакви промени или модификации на хардуера или софтуера на устройството, които не са одобрени, препоръчани или предоставени от tedee, могат да анулират гаранцията ви.

- Това устройство изисква източник на хранване и Bluetooth(R) връзка за правилна работа и може да изисква интернет връзка, за да използва някои от функциите си. Производителят не носи отговорност за потенциални проблеми с достъпа до стаята, произтичащи от липсата на достъп до интернет или от повреда или изчерпване на източника на хранване.
- Това устройство не е предназначено за използване като част от домашна система за сигурност. Производителят не декларира никакви антивзломни свойства или атестации, сертификати или класове на антивзломна защита за устройството. Производителят не носи отговорност за евентуални щети/наранявания, претърпени в резултат на кражба, взлом или проникване в резултат на повреда, преодоляване или неоторизирано придобиване на контрол върху устройството.
- Това устройство може да изисква закупуването на допълнителни продукти, за да се активират някои от функциите му. Ако имате съмнения, моля, свържете се с отдела за поддръжка на tedee.
- Нито Tedee Sp. z o.o., нито нашите търговци на дребно носят отговорност за неспазване на горните предупреждения и указания за безопасност. Със закупуването на това устройство купувачът признава всички рискове, свързани с използването на оборудването на tedee. Ако не сте съгласни с тези условия, върнете устройството на производителя или дистрибутора преди употреба.

ПОДДРЪЖКА

- Преди почистване извадете батерията от устройството. Не използвайте никакви смазочни материали, почистващи препарати, полиращи средства

или освежителни за въздух върху която и да е част на устройството. Избърсвайте го само със суха кърпа.

- Ако се установи, че корпусът на устройството е износен до степен, в която целостта му е нарушена, свържете се с техническата поддръжка на tedee.

ТЕХНИЧЕСКА ИНФОРМАЦИЯ

Технически спецификации

Модел: TDSV1.0

Захранване: 1 батерия CR2032

Bluetooth® комуникация: BLE 5.2 2.4GHz

Размери: 30 x 64 x 14 mm (сензорът), 17 x 64 x 7 mm (магнитът)

Работна температура: от 5° C до 50° C

Честотен диапазон: от 2,4 GHz до 2,483 GHz

Максимална изходна мощност: 8dBm

Работна влажност: максимум 95%

Препоръчителна настройка: макс. 2 метра от заключването на tedee макс. 2 метра от моста tedee

Технически спецификации на батерията

Име и адрес на производителя: както е посочено на опаковката на батерията
Категория и идентификационен номер: както е посочено върху корпуса на батерията

Място на производство: както е посочено върху опаковката на батерията

Тегло: ~ 2,90 g

Капацитет: ~2230mAh

Химичен състав: литий (100%)

Опасни вещества, различни от живак, кадмий или олово: НЕ СЕ ПРИЛАГА.

Пожарогасител: натриев хлорид (NaCl), Тернарнен евтектичен хлорид (TEC)

Критични суровини, присъстващи в батерията над 0,1%: N/A

ПРАВНИ/ЕКОЛОГИЧНИ БЕЛЕЖКИ

ЕС декларация за съответствие

С настоящото Tedee Sp. z o.o. декларира, че радиоустройството Tedee Door Sensor TDSV1.0 е в съответствие с Директива 2014/53/ЕС. Пълният текст на ЕС декларацията за съответствие е достъпен на следния интернет адрес: www.tedee.com/compliance.

WEEE / RoHS

За да предотвратите потенциално отрицателно въздействие върху околната среда, консултирайте се с местните закони и разпоредби за правилното изхвърляне на електронни устройства и батерии във вашата страна.

Изхвърляне на батерии - ако вашето устройство tedee съдържа батерии, не ги изхвърляйте с обикновените битови отпадъци. Предайте ги в подходящо съоръжение за рециклиране или в събирателен пункт. Батериите, използвани в устройствата tedee, не съдържат живак, кадмий или олово над нивата, посочени в Директива 2006/66/ЕО.

Изхвърляне на електроника - не изхвърляйте вашето устройство tedee с обикновените битови отпадъци. Предайте го в подходящо съоръжение за рециклиране или в събирателен пункт.

Bluetooth®

Думата Bluetooth® и логото са собственост на Bluetooth SIG, Inc. и всяко използване на тези марки от Tedee Sp. z o.o. е по лиценз. Други търговски марки и търговски наименования са собственост на съответните им собственици.

Google, Android и Google Play са търговски марки на Google LLC.
Apple и App Store са търговски марки на Apple Inc.
iOS е търговска марка или регистрирана търговска марка на Cisco в САЩ и

други държави и се използва по лиценз.

ГАРАНЦИЯ

Ограничена гаранция за хардуер на Tedee

Tedee Sp. z o.o. гарантира, че устройствата Tedee нямат хардуерни дефекти в материалите и изработката за период не по-малък от 2 години от датата на първата покупка на дребно. Tedee Sp. z o.o. не поема отговорност за неправилна употреба на устройствата (включително методи на зареждане, различни от описаните в това ръководство), особено ако потребителят е предприел промени или модификации на хардуера или софтуера на устройството, които не са одобрени, препоръчани или предоставени от Tedee. Пълната информация за гаранцията е достъпна на следния линк: www.tedee.com/warranty, на адреса на централата на производителя, посочен на опаковката, и на support@tedee.com.

tedee® е регистрирана търговска марка на Tedee Sp. z o.o. Copyright (C) 2022. Всички права запазени.

ΕΛ: ΠΛΗΡΟΦΟΡΪΕΣ ΑΣΦΑΛΕΙΑΣ

ΠΡΟΕΙΔΟΠΟΙΗΣΗ: Διαβάστε όλες τις οδηγίες ασφαλείας και τις προειδοποιήσεις που παρέχονται παρακάτω. Η μη τήρησή τους μπορεί να προκαλέσει ηλεκτροπληξία, πυρκαγιά ή/και σοβαρό τραυματισμό. Φυλάξτε αυτές τις οδηγίες για μελλοντική χρήση. Για να αποκτήσετε πρόσβαση στην πιο πρόσφατη και ενημερωμένη έκδοση αυτών των οδηγιών, επισκεφθείτε τη διεύθυνση: <https://tedee.com/get-support/>.

ΟΔΗΓΙΕΣ ΑΣΦΑΛΕΙΑΣ ΜΠΑΤΑΡΙΩΝ / ΠΡΟΕΙΔΟΠΟΙΗΣΕΙΣ

Το σετ αισθητήρα πόρτας Tedee με μπαταρία περιλαμβάνει μία μόνο μη επαναφορτιζόμενη και μη επισκευάσιμη από τον χρήστη μπαταρία CR2032.

ΠΡΟΕΙΔΟΠΟΙΗΣΗ

- ΚΙΝΔΥΝΟΣ ΠΗΞΗΣ: Αυτό το προϊόν περιέχει μια μπαταρία με κουμπιά ή κέρμα.
- Σε περίπτωση κατάποσης μπορεί να προκληθεί ΘΑΝΑΤΟΣ ή σοβαρός τραυματισμός.
- Μια καταποθείσα μπαταρία με κουμπιά ή κέρμα μπορεί να προκαλέσει εσωτερικά χημικά εγκαύματα σε μόλις 2 ώρες.
- ΦΥΛΑΞΤΕ τις νέες και τις χρησιμοποιημένες μπαταρίες ΜΑΚΡΙΑ ΑΠΟ ΤΑ ΠΑΙΔΙΑ.
- Ζητήστε άμεση ιατρική βοήθεια εάν υπάρχει υποψία ότι μια μπαταρία έχει καταποθεί ή εισαχθεί στο εσωτερικό οποιουδήποτε μέρους του σώματος.

ΣΥΝΙΣΤΩΜΕΝΕΣ ΜΠΑΤΑΡΙΕΣ

Για την τροφοδοσία του αισθητήρα πόρτας Teede, πρέπει να χρησιμοποιήσετε 1 μπαταρία CR2032. Επιτρέπουμε μόνο την τη χρήση μπαταριών 3V.

ΠΡΟΕΙΔΟΠΟΙΗΣΗ: Κίνδυνος μόνιμης βλάβης της συσκευής και απώλειας εγγύησης, εάν τοποθετηθούν μπαταρίες με τάση λειτουργίας που υπερβαίνει τα 3,3V!

ΜΗΝ

- Μην φορτίζετε μη επαναφορτιζόμενη μπαταρία. Οι μη επαναφορτιζόμενες μπαταρίες δεν πρέπει να επαναφορτίζονται.
- Μην αναμειγνύετε παλιές και νέες μπαταρίες, διαφορετικές μάρκες ή τύπους μπαταριών, όπως αλκαλικές, μπαταρίες άνθρακα-ψευδαργύρου ή επαναφορτιζόμενες μπαταρίες
- Μην αποσυναρμολογείτε, μην τρυπάτε, μην τροποποιείτε, μην ρίχνετε, μην πετάτε και μην προκαλείτε άλλους άσκοπους κραδασμούς στην μπαταρία.
- Μην αφήνετε ή αποθηκεύετε την μπαταρία σε ζεστά μέρη, όπως κοντά σε φούρνο, σόμπα, άμεσο ηλιακό φως ή άλλη πηγή θερμότητας.
- Μην τοποθετείτε την μπαταρία σε φούρνο μικροκυμάτων ή σε οποιοδήποτε

άλλο δοχείο υψηλής πίεσης.

- Μην βυθίζετε την μπαταρία σε υγρά και μην την αφήνετε να έρθει σε επαφή με υγρά.
- Μην βραχυκυκλώνετε την μπαταρία.
- Μην χρησιμοποιείτε μπαταρία που φαίνεται να έχει διαρροή, να έχει αποχρωματιστεί, να έχει σκουριάσει, να έχει παραμορφωθεί, να εκπέμπει οσμή ή να είναι αλλιώς μη φυσιολογική.
- Μην αγγίζετε την μπαταρία που διαρρέει.
- Μην συνεχίζετε να φορτίζετε την μπαταρία περισσότερο από τον καθορισμένο χρόνο.
- ΜΗΝ πετάτε τις μπαταρίες, τις συσκευές και τα αξεσουάρ τους στα οικιακά σκουπίδια ή μην τις αποτεφρώνετε. Εάν είναι δυνατόν, ανακυκλώστε και διαχωρίστε σύμφωνα με τους τοπικούς κανονισμούς σας
- Κρατήστε την μπαταρία μακριά από παιδιά κάτω των 3 ετών. Σε περίπτωση κατάποσης, επικοινωνήστε αμέσως με την τοπική ιατρική βοήθεια.
- Βεβαιωθείτε ότι οι μπαταρίες έχουν τοποθετηθεί σωστά σύμφωνα με την πολικότητα (+ και -). Μην αντιστρέψετε την πολικότητα των μπαταριών.
- Αποθηκεύετε τις μπαταρίες σε δροσερό, ξηρό μέρος σε κανονική θερμοκρασία δωματίου.
- Αφαιρέστε και ανακυκλώστε ή απορρίψτε αμέσως τις χρησιμοποιημένες μπαταρίες σύμφωνα με τους τοπικούς κανονισμούς και κρατήστε τις μακριά από παιδιά.
- Αφαιρέστε και ανακυκλώστε ή απορρίψτε αμέσως τις μπαταρίες από εξοπλισμό που δεν χρησιμοποιείται για μεγάλο χρονικό διάστημα σύμφωνα με τους τοπικούς κανονισμούς.
- Χρησιμοποιείτε τις παρεχόμενες μπαταρίες σε θερμοκρασία λειτουργίας από -20 έως +54°C και αποθηκεύστε τις σε θερμοκρασία από -30 έως +45°C. Η υπέρβαση αυτών των ορίων μπορεί να οδηγήσει σε βλάβη, απώλεια ιδιοτήτων, διαρροή ή έκρηξη της μπαταρίας. Τα παραπάνω εύρη θερμοκρασιών ενδέχεται να διαφέρουν ανάλογα με τον κατασκευαστή της μπαταρίας.
- Δρ ασφαλίστε πάντα πλήρως τη θήκη της μπαταρίας. Εάν η θήκη των μπαταριών δεν κλείνει με ασφάλεια, σταματήστε να χρησιμοποιείτε το προϊόν, αφαιρέστε τις μπαταρίες και κρατήστε τις μακριά από παιδιά

ΆΛΛΕΣ ΠΛΗΡΟΦΟΡΙΕΣ

- Ακόμη και οι χρησιμοποιημένες μπαταρίες μπορεί να προκαλέσουν σοβαρό τραυματισμό ή θάνατο
- Καλέστε ένα τοπικό κέντρο ελέγχου δηλητηριάσεων για πληροφορίες θεραπείας
- Μην κάνετε βίαιη εκφόρτιση, επαναφόρτιση, αποσυναρμολόγηση, θέρμανση πάνω από 158°F ή αποτέφρωση. Κάτι τέτοιο μπορεί να οδηγήσει σε τραυματισμό λόγω εξαέρωσης, διαρροής ή έκρηξης με αποτέλεσμα χημικά εγκαύματα
- Αυτή η συσκευή είναι ασφαλής για χρήση υπό κανονικές και εύλογα προβλέψιμες συνθήκες κακής χρήσης κώδικα λειτουργίας. Εάν παρατηρήσετε ενδείξεις ασφαλιστικών ή δυσλειτουργίας υλικού, επικοινωνήστε με την τεχνική υποστήριξη της tedee για βοήθεια. Σε μια τέτοια περίπτωση η συσκευή αυτή θα πρέπει να επιστραφεί στην tedee για τις απαραίτητες επισκευές σύμφωνα με τους όρους εγγύησης. Οποιαδήποτε αλλαγές ή τροποποιήσεις στο υλικό ή το λογισμικό της συσκευής, οι οποίες δεν έχουν εγκριθεί, δεν συνιστώνται ή δεν παρέχονται από την tedee, ενδέχεται να ακυρώσουν την εγγύησή σας.
- Αυτή η συσκευή απαιτεί πηγή ρεύματος και σύνδεση Bluetooth(R) για τη σωστή λειτουργία και ενδέχεται να απαιτεί σύνδεση στο Internet για τη χρήση ορισμένων λειτουργιών της. Ο κατασκευαστής δεν ευθύνεται για πιθανά προβλήματα πρόσβασης στο δωμάτιο που προκύπτουν από την έλλειψη πρόσβασης στο διαδίκτυο ή την αποτυχία ή εξάντληση της πηγής τροφοδοσίας.
- Αυτή η συσκευή δεν προορίζεται για χρήση ως μέρος ενός οικιακού συστήματος ασφαλείας. Ο κατασκευαστής δεν δηλώνει αντιδιαρρηκτικές ιδιότητες ή βεβαιώσεις, πιστοποιητικά ή κλάσεις αντιδιαρρηκτικής προστασίας για τη συσκευή. Ο κατασκευαστής δεν ευθύνεται για τυχόν ζημιές/τραυματισμούς που μπορεί να προκληθούν λόγω κλοπής, διάρρηξης ή εισβολής που προκύπτουν από βλάβη, υπέρβαση ή μη εξουσιοδοτημένη απόκτηση ελέγχου της συσκευής.
- Αυτή η συσκευή ενδέχεται να απαιτεί την αγορά πρόσθετων προϊόντων για την ενεργοποίηση ορισμένων από τις λειτουργίες της. Σε περίπτωση

αμφιβολίας, επικοινωνήστε με την υποστήριξη της tedee.

- Ούτε η Tedee Sp. z o.o., ούτε οι λιανοπωλητές μας είναι υπεύθυνοι για τη μη συμμόρφωση με τις παραπάνω προειδοποιήσεις και οδηγίες ασφαλείας. Με την αγορά αυτής της συσκευής, ο αγοραστής αναγνωρίζει όλους τους κινδύνους που σχετίζονται με τη χρήση του εξοπλισμού της tedee. Εάν δεν συμφωνείτε με αυτούς τους όρους, επιστρέψτε τη συσκευή στον κατασκευαστή ή το διανομέα πριν τη χρησιμοποιήσετε.

ΣΥΝΤΗΡΗΣΗ

- Αφαιρέστε την μπαταρία από τη συσκευή πριν από τον καθαρισμό. Μην χρησιμοποιείτε λιπαντικά, καθαριστικά, γυαλιστικά ή αποσμητικά χώρου σε κανένα μέρος της συσκευής. Σκουπίστε την μόνο με ένα στεγνό πανί.
- Εάν διαπιστωθεί ότι το περίβλημα της συσκευής έχει φθαρεί σε βαθμό που να διακυβεύεται η ακεραιότητά του, επικοινωνήστε με την τεχνική υποστήριξη της tedee.

ΤΕΧΝΙΚΗ ΠΛΗΡΟΦΟΡΗΣΗ

Τεχνικές προδιαγραφές

Μοντέλο: TDSV1.0

Παροχή ρεύματος: 1 μπαταρία CR2032

Επικοινωνία Bluetooth®: 4 GHz: BLE 5.2 2.4GHz

Διαστάσεις: (αισθητήρας), 17 x 64 x 7 mm (μαγνήτης)

Θερμοκρασία λειτουργίας: από 5° C έως 50° C

Εύρος συχνοτήτων: από 2,4GHz έως 2,483GHz

Μέγιστη ισχύς εξόδου: 8dBm

Υγρασία λειτουργίας: μέγιστο 95%

Συνιστώμενη ρύθμιση: max. 2 μέτρα από την κλειδαριά tedee max. 2 μέτρα από τη γέφυρα tedee

Τεχνικές προδιαγραφές μπαταρίας

Όνομα και διεύθυνση του κατασκευαστή: όπως αναγράφεται στη συσκευασία της μπαταρίας
Κατηγορία και αναγνωριστικό: όπως αναγράφεται στο περίβλημα της μπαταρίας
Τόπος κατασκευής: όπως αναγράφεται στη συσκευασία της μπαταρίας
Βάρος: ~ 2,90g
Χωρητικότητα: ~2230mAh
Χημική σύνθεση: λίθιο (100%)
Επικίνδυνες ουσίες εκτός από υδράργυρο, κάδμιο ή μόλυβδο: N/A
Πυροσβεστικό μέσο: χλωριούχο νάτριο (NaCl), τριμερές ευτηκτικό χλωρίδιο (TEC)
Κρίσιμες πρώτες ύλες που υπάρχουν στην μπαταρία σε ποσοστό άνω του 0,1%: A/A

ΝΟΜΙΚΕΣ/ΠΕΡΙΒΑΛΛΟΝΤΙΚΕΣ ΣΗΜΕΙΩΣΕΙΣ

Δήλωση συμμόρφωσης ΕΕ

Η Tedee Sp. z o.o. δηλώνει με την παρούσα ότι η ραδιοσυσκευή Tedee Door Sensor TDSV1.0 είναι σύμφωνη με την οδηγία 2014/53/ΕΕ. Το πλήρες κείμενο της δήλωσης συμμόρφωσης ΕΕ είναι διαθέσιμο στην ακόλουθη διαδικτυακή διεύθυνση: www.tedee.com/compliance.

WEEE / RoHS

Για να αποφύγετε πιθανές αρνητικές επιπτώσεις στο περιβάλλον, συμβουλευτείτε τους τοπικούς νόμους και κανονισμούς για την ορθή απόρριψη των ηλεκτρονικών συσκευών και των μπαταριών στη χώρα σας. Απόρριψη μπαταριών - εάν η συσκευή tedee περιέχει μπαταρίες, μην τις απορρίπτετε μαζί με τα συνηθισμένα οικιακά απορρίμματα.

Παραδώστε τις σε μια κατάλληλη εγκατάσταση ανακύκλωσης ή σε ένα σημείο συλλογής. Οι μπαταρίες που χρησιμοποιούνται στις συσκευές tedee

δεν περιέχουν υδράργυρο, κάδμιο ή μόλυβδο πάνω από τα επίπεδα που καθορίζονται στην οδηγία 2006/66/ΕΚ.

Απόρριψη ηλεκτρονικών συσκευών - μην απορρίπτετε τη συσκευή tedee μαζί με τα συνηθισμένα οικιακά απορρίμματα. Παραδώστε την σε μια κατάλληλη εγκατάσταση ανακύκλωσης ή σε ένα σημείο συλλογής.

Bluetooth®

Το λεκτικό σήμα και τα λογότυπα Bluetooth® ανήκουν στην Bluetooth SIG, Inc. και οποιαδήποτε χρήση αυτών των σημάτων από την Tedee Sp. z o.o. γίνεται με άδεια χρήσης. Άλλα εμπορικά σήματα και εμπορικές ονομασίες είναι των αντίστοιχων κατόχων τους.

Google, Android και Google Play είναι εμπορικά σήματα της Google LLC.

Apple και το App Store είναι εμπορικά σήματα της Apple Inc. Το iOS είναι εμπορικό σήμα ή καταχωρισμένο εμπορικό σήμα της Cisco στις ΗΠΑ και σε άλλες χώρες και χρησιμοποιείται με άδεια χρήσης.

ΕΓΓΥΗΣΗ

Περιορισμένη εγγύηση υλικού Tedee

Η Tedee Sp. z o.o. εγγυάται ότι οι συσκευές Tedee είναι απαλλαγμένες από ελαττώματα υλικού υλικού και κατασκευής για περίοδο τουλάχιστον 2 ετών από την ημερομηνία της πρώτης αγοράς λιανικής πώλησης. Η Tedee Sp. z o.o. δεν αναλαμβάνει καμία ευθύνη για την κακή χρήση των συσκευών (συμπεριλαμβανομένων μεθόδων φόρτισης διαφορετικών από αυτές που περιγράφονται στο παρόν εγχειρίδιο), ιδίως εάν ο χρήστης έχει προβεί σε οποιαδήποτε αλλαγές ή τροποποιήσεις στο υλικό ή το λογισμικό της συσκευής, οι οποίες δεν είναι εγκεκριμένες, συνιστώμενες ή παρεχόμενες από την Tedee. Πλήρεις πληροφορίες για την εγγύηση είναι διαθέσιμες στον ακόλουθο σύνδεσμο: www.tedee.com/warranty, στη διεύθυνση της έδρας του κατασκευαστή που αναγράφεται στη συσκευασία και στη διεύθυνση support@tedee.com

tedee.com.

H tedee® είναι σήμα κατατεθέν της Tedee Sp. z o. o. Copyright (C) 2022. Όλα τα δικαιώματα διατηρούνται.

HR: SIGURNOSNE INFORMACIJE

UPOZORENJE: Pročitajte sve dolje navedene smjernice i upozorenja o sigurnosti. Nepoštivanje može dovesti do električnog udara, požara i/ili ozbiljnih ozljeda. Sačuvajte ove upute za buduću upotrebu. Za pristup najnovijoj i najaktualnijoj verziji ovih uputa posjetite: <https://tedee.com/get-support/>.

SMJERNICE ZA SIGURNOST BATERIJE / UPOZORENJA

Tedee Door Sensor set na baterije uključuje jednu CR2032 bateriju koja nije punjiva i nije zamjenjiva od strane korisnika.

UPOZORENJE

- **OPASNOST OD GUTANJA:** Ovaj proizvod sadrži gumbastu ćeliju ili bateriju u obliku kovanice.
- SMRT ili ozbiljne ozljede mogu se dogoditi ako se proguta.
- Progutana gumbasta ćelija ili baterija u obliku kovanice može uzrokovati unutarnje kemijske opekline za samo 2 sata.
- Držite nove i korištene baterije IZVAN DOHVATA DJECE.
- Odmah potražite medicinsku pomoć ako se sumnja da je baterija progutana ili umetnuta u bilo koji dio tijela.

PREPORUČENE BATERIJE

Za napajanje vašeg Tedee Door Sensora potrebno je koristiti jednu CR2032 bateriju. Dozvoljena je isključivo upotreba baterija od 3V.

UPOZORENJE: Rizik od trajnog oštećenja uređaja i gubitka jamstva ako se

instaliraju baterije s radnim naponom većim od 3,3V!

ŠTO NE ČINITI

- Ne punite bateriju koja nije punjiva. Baterije koje nisu punjive ne smiju se puniti.
- Ne miješajte stare i nove baterije, različite marke ili vrste baterija, poput alkalnih, cink-karbonskih ili punjivih baterija.
- Ne rastavljajte, ne bušite, ne mijenjajte, ne bacajte niti izlažite bateriju nepotrebnim udarcima.
- Nemojte ostavljati niti skladištiti bateriju na vrućim mjestima, poput pećnice, štednjaka, na izravnom sunčevom svjetlu ili blizu izvora topline.
- Ne stavljajte bateriju u mikrovalnu pećnicu ili bilo koji drugi spremnik pod visokim pritiskom.
- Ne uranjajte bateriju u tekućine niti je izlažite kontaktu s tekućinama.
- Nemojte kratko spajati bateriju.
- Nemojte koristiti baterije koje izgledaju kao da cure, koje su obojene, zahrđale, deformirane, ispuštaju neugodne mirise ili su na neki drugi način neispravne.
- Ne dodirujte bateriju koja curi.
- Nemojte nastaviti puniti bateriju dulje od specificiranog vremena.
- **NE BACAJTE** baterije, uređaje i dodatke u kućni otpad niti ih spaljujte. Ako je moguće, reciklirajte i odvojite prema lokalnim propisima.
- Držite bateriju izvan dohvata djece mlađe od 3 godine. Ako je progutana, odmah kontaktirajte lokalnu hitnu medicinsku pomoć.
- Osigurajte da su baterije pravilno instalirane prema polaritetu (+ i -). Nemojte obrnuti polaritet baterije.
- Čuvajte baterije na hladnom i suhom mjestu pri normalnoj sobnoj temperaturi.
- Uklonite i odmah reciklirajte ili zbrinite korištene baterije u skladu s lokalnim propisima te ih držite izvan dohvata djece.
- Uklonite i odmah reciklirajte ili zbrinite baterije iz opreme koja se ne koristi dulje vrijeme u skladu s lokalnim propisima.
- Koristite priložene baterije pri radnoj temperaturi od -20°C do +54°C, a pohranite ih na temperaturi od -30°C do +45°C. Prekoračenje ovih raspona može uzrokovati oštećenje, gubitak svojstava, curenje ili eksploziju baterije. Gornji temperaturni

rasponi mogu varirati ovisno o proizvođaču baterije.

- Uvijek potpuno osigurajte pretinac za baterije. Ako se pretinac za baterije ne zatvori sigurno, prestanite koristiti proizvod, uklonite baterije i držite ih izvan dohvata djece.

OSTALE INFORMACIJE

- Čak i korištene baterije mogu uzrokovati ozbiljne ozljede ili smrt.
- Nazovite lokalni centar za trovanje za informacije o liječenju.
- Nemojte forsirati pražnjenje, ponovno punjenje, rastavljanje, zagrijavanje iznad 70°C (158°F) niti spaljivati baterije. To može uzrokovati ozljede zbog ventilacije, curenja ili eksplozije što rezultira kemijskim opeklinama.
- Ovaj uređaj je siguran za uporabu u normalnim uvjetima i u slučaju razumno predvidive nepravilne uporabe. Ako primijetite znakove grešaka ili kvarova hardvera, kontaktirajte tehničku podršku Tedee. U tom slučaju, ovaj uređaj treba vratiti Tedee za potrebne popravke prema uvjetima jamstva.
- Sve promjene ili modifikacije hardvera ili softvera uređaja koje nisu odobrene, preporučene ili osigurane od strane Tedee mogu poništiti vaše jamstvo.
- Ovaj uređaj zahtijeva izvor napajanja i Bluetooth® vezu za pravilno funkcioniranje te može zahtijevati internetsku vezu za korištenje nekih njegovih značajki. Proizvođač nije odgovoran za potencijalne probleme s pristupom sobi uzrokovane nedostatkom internetske veze ili kvarom ili iscrpljenjem izvora napajanja.
- Ovaj uređaj nije namijenjen za uporabu kao dio kućnog sigurnosnog sustava. Proizvođač ne izjavljuje nikakva protuprovalna svojstva, potvrde, certifikate ili klase zaštite protiv provala za ovaj uređaj. Proizvođač neće biti odgovoran za eventualne štete/ozljede nastale zbog krađe, provala ili neovlaštenog preuzimanja kontrole nad uređajem.
- Ovaj uređaj može zahtijevati kupnju dodatnih proizvoda za omogućavanje nekih njegovih značajki. U slučaju sumnje, kontaktirajte podršku Tedee.
- Ni Tedee Sp. z o.o. ni naši prodavači nisu odgovorni za nepoštivanje gore navedenih upozorenja i sigurnosnih smjernica. Kupnjom ovog uređaja, kupac prihvaća sve rizike povezane s korištenjem Tedee opreme. Ako se ne slažete s

ovim uvjetima, vratite uređaj proizvođaču ili distributeru prije upotrebe.

ODRŽAVANJE

- Uklonite bateriju iz uređaja prije čišćenja. Nemojte koristiti lubrikante, sredstva za čišćenje, polirna sredstva ili osvježivače zraka na bilo kojem dijelu uređaja. Obrišite ga samo suhom krpom.
- Ako je kućište uređaja toliko istrošeno da je narušena njegova cjelovitost, kontaktirajte tehničku podršku Tedee.

TEHNIČKE INFORMACIJE

Tehničke specifikacije

Model: TDSV1.0

Napajanje: 1 CR2032 baterija

Bluetooth® komunikacija: BLE 5.2 2.4GHz

Dimenzije: 30 x 64 x 14 mm (senzor), 17 x 64 x 7 mm (magnet)

Radna temperatura: od 5° C do 50° C

Frekvencijski raspon: od 2.4GHz do 2.483GHz

Maksimalna izlazna snaga: 8dBm

Radna vlažnost: maksimalno 95%

Preporučena konfiguracija: maks. 2 metra od Tedee brave, maks. 2 metra od Tedee mosta

Tehničke specifikacije baterije

Naziv i adresa proizvođača: navedeni na pakiranju baterije

Kategorija i ID: navedeni na kućištu baterije

Mjesto proizvodnje: navedeno na pakiranju baterije

Težina: ~ 2.90g

Kapacitet: ~2230mAh

Kemijski sastav: litij (100%)

Opasne tvari osim žive, kadmija ili olova: N/A
Sredstvo za gašenje požara: natrijev klorid (NaCl), ternarni eutektik klorid (TEC)
Kritične sirovine prisutne u bateriji iznad 0,1%: N/A

PRAVNE / EKOLOŠKE NAPOMENE

Izjava o sukladnosti EU

Tedee Sp. z o.o. ovime izjavljuje da je uređaj Tedee Door Sensor TDSV1.0 u skladu s Direktivom 2014/53/EU. Cijeli tekst EU izjave o sukladnosti dostupan je na sljedećoj internetskoj adresi: www.tedee.com/compliance.

WEEE / RoHS

Kako biste izbjegli moguće negativne utjecaje na okoliš, konzultirajte se s lokalnim zakonima i propisima o pravilnom odlaganju elektroničkih uređaja i baterija u svojoj zemlji.

Odlaganje baterija: Ako vaš Tedee uređaj sadrži baterije, nemojte ih odlagati s uobičajenim kućnim otpadom. Predajte ih u odgovarajuće reciklažno postrojenje ili mjesto za prikupljanje. Baterije korištene u Tedee uređajima ne sadrže živu, kadmij ili olovo iznad razina specificiranih u Direktivi 2006/66/EC.

Odlaganje elektroničkih uređaja: Nemojte odlagati svoj Tedee uređaj s uobičajenim kućnim otpadom. Predajte ga u odgovarajuće reciklažno postrojenje ili mjesto za prikupljanje.

Bluetooth®

Riječ Bluetooth® i logotipi su vlasništvo Bluetooth SIG, Inc., a svaka upotreba tih oznaka od strane Tedee Sp. z o.o. je pod licencom. Ostali zaštitni znakovi i trgovački nazivi pripadaju njihovim vlasnicima.

Google, Android i Google Play su zaštitni znakovi Google LLC.

Apple i App Store su zaštitni znakovi Apple Inc.
iOS je zaštitni znak ili registrirani zaštitni znak Cisco u SAD-u i drugim zemljama, korišten pod licencom.

JAMSTVO

Ograničeno jamstvo za Tedee hardver

Tedee Sp. z o.o. jamči da su Tedee uređaji bez hardverskih nedostataka u materijalima i izradi u razdoblju od najmanje 2 godine od datuma prve maloprodajne kupnje. Tedee Sp. z o.o. ne preuzima odgovornost za nepravilnu uporabu uređaja (uključujući metode punjenja koje nisu opisane u ovom priručniku), osobito ako su korisnik napravio bilo kakve izmjene ili modifikacije hardvera ili softvera uređaja koje nisu odobrene, preporučene ili pružene od strane Tedee-a. Potpune informacije o jamstvu dostupne su na sljedećoj poveznici: www.tedee.com/warranty, na adresi sjedišta proizvođača navedenoj na pakiranju i putem e-pošte na support@tedee.com.

tedee® je registrirani zaštitni znak Tedee Sp. z o.o. Copyright (C) 2022. Sva prava pridržana.

HU: BIZTONSÁGI INFORMÁCIÓK

FIGYELMEZTETÉS: Olvassa el az alábbiakban megadott összes biztonsági útmutatót és figyelmeztetést. Ezek be nem tartása áramütést, tüzet és/vagy súlyos sérülést okozhat. Órizzze meg ezeket az utasításokat a későbbi használatra. Ezen utasítások legújabb, legfrissebb változatának eléréséhez látogasson el a következő weboldalra: <https://tedee.com/get-support/>.

AKKUMULÁTOR BIZTONSÁGI IRÁNYELVEK / FIGYELMEZTETÉS

Az elemmel működő Tedee ajtóérzékelő készlet egyetlen nem újratölthető és nem használható CR2032 elemet tartalmaz.

FIGYELMEZTETÉS

- **FOGYATÉKVESZÉLY:** Ez a termék gombelemet vagy érmeelemet tartalmaz.
- Lenyelése esetén halál vagy súlyos sérülés következhet be.
- A lenyelt gombelem vagy érmeelem akár 2 óra alatt belső kémiai égési sérülést okozhat.
- Az új és használt elemeket **TARTJA TÖRVÉNYESEN, GYERMEKEK TARTÁSÁN TÚL.**
- Azonnal forduljon orvoshoz, ha felmerül a gyanú, hogy elemet nyeltek le vagy helyeztek a test bármely részébe.

AJÁNLOTT ELEMEEK

A Tedee ajtóérzékelőjének működtetéséhez 1 db CR2032 elemre van szükség. Kizárólag a 3 V-os elemek használatát.

FIGYELMEZTETÉS: A készülék maradandó károsodásának és a garancia elvesztésének veszélye, ha 3,3V-nál nagyobb üzemi feszültségű elemeket használ!

NE

- Ne töltsen és ne újratölthető akkumulátort. A nem újratölthető akkumulátorokat nem szabad újratölteni. A nem újratölthető akkumulátorokat nem szabad újratölteni.
- Ne keverje össze a régi és új elemeket, különböző márkájú vagy típusú elemeket, például alkáli, szén-cink vagy újratölthető elemeket.
- Ne szedje szét, ne lyukassza ki, ne módosítsa, ne ejtse le, ne dobja el, és ne okozzon más szükségtelen ütést az akkumulátornak.
- Ne hagyja vagy tárolja az akkumulátort forró helyen, például sütő, tűzhely, közvetlen napfény vagy más hőforrás közelében.
- Ne tegye az akkumulátort mikrohullámú sütőbe vagy más nagynyomású tartályba.
- Ne merítse az akkumulátort folyadékba, és ne engedje, hogy folyadékkal

érintkezzen.

- Ne zárja rövidre az akkumulátort.
- Ne használja a szivárgó, elszíneződött, rozsdás, deformálódott; szagot árasztó; vagy más módon rendellenesnek tűnő akkumulátort.
- Ne érintse meg a szivárgó akkumulátort.
- Ne töltsen tovább az akkumulátort a megadott időnél.
- NE dobja ki az akkumulátorokat, készülékeket és tartozékait a háztartási szemétkosárba, vagy ne égesse el. Ha lehetséges, a helyi előírásoknak megfelelően újrahasznosítsa és szelektálja.
- Tartsa az akkumulátort 3 év alatti gyermekektől távol. Ha lenyelte, azonnal forduljon a helyi orvosi segítséghez.
- Ügyeljen arra, hogy az akkumulátorokat a polaritásnak megfelelően (+ és -) helyezze be. Ne fordítsa meg az akkumulátorok polaritását.
- Tárolja az akkumulátorokat hűvös, száraz helyen, normál szobahőmérsékleten.
- A használt elemeket a helyi előírásoknak megfelelően távolítsa el, és azonnal hasznosítsa újra, vagy ártalmatlanítsa, és tartsa távol a gyermekektől.
- A hosszabb ideig nem használt berendezésekből a helyi előírásoknak megfelelően távolítsa el és azonnal hasznosítsa újra, illetve ártalmatlanítsa az akkumulátorokat.
- A mellékelt elemeket -20 és +54°C közötti üzemi hőmérsékleten használja, és -30 és +45°C közötti hőmérsékleten tárolja. Ezen tartományok túllépése az akkumulátor károsodását, tulajdonságainak elvesztését, szivárgását vagy robbanását eredményezheti. A fenti hőmérsékleti tartományok az akkumulátor gyártójától függően változhatnak.
- Dp mindig teljesen rögzítse az akkumulátortartályt. Ha az elemtartó rekesz nem záródik biztonságosan, hagyja abba a termék használatát, vegye ki az elemeket, és tartsa távol a gyermekektől.

EGYÉB INFORMÁCIÓK

- Még a használt elemek is súlyos sérülést vagy halált okozhatnak
- Hívja a helyi mérgezéselhárító központot a kezeléssel kapcsolatos információkért
- Ne erőltesse a kisütést, ne töltsen fel, ne szerelje szét, ne melegítse 158°F fölé,

és ne égesse el. Ha így tesz, az sérülést okozhat a kiszellőzés, szivárgás vagy robbanás miatt, ami kémiai égési sérüléseket okozhat.

- Ez a készülék normál és ésszerűen előrelátható visszaélésekkel járó üzemeltetési szabályzat mellett biztonságosan használható. Ha hiba vagy hardverhiba jeleit észleli, forduljon a tedee műszaki támogatásához segítségért. Ilyen esetben ezt a készüléket a garanciális feltételek mellett vissza kell küldeni a tedee-nek a szükséges javítások elvégzésére. A készülék hardverén vagy szoftverén végzett, a tedee által nem jóváhagyott, nem ajánlott vagy nem a tedee által biztosított bármilyen változtatás vagy módosítás a garancia érvényét veszítheti.
- A készülék megfelelő működéséhez áramforrás és Bluetooth(R) kapcsolat szükséges, és egyes funkcióinak használatához internetkapcsolat is szükséges lehet. A gyártó nem vállal felelősséget az internet-hozzáférés hiányából, illetve az áramforrás meghibásodásából vagy kimerüléséből eredő esetleges helyiség-hozzáférési problémákért.
- Ez a készülék nem otthoni biztonsági rendszer részeként való használatra készült. A gyártó nem nyilatkozik a készülék betörésgátló tulajdonságairól, illetve a készülék betörésgátló tulajdonságainak igazolásáról, tanúsítványairól vagy osztályairól. A gyártó nem vállal felelősséget a lopás, betörés vagy behatolás miatt elszenvedett esetleges károkért/sérülésekért, amelyek a készülék megrongálásából, leküzdéséből vagy illetéktelen irányítás megszerzéséből erednek.
- A készülék egyes funkcióinak aktiválásához további termékek megvásárlására lehet szükség. Kétség esetén kérjük, forduljon a tedee ügyfélszolgálatához.
- Sem a Tedee Sp. z o.o., sem a kiskereskedőink nem felelősek a fenti figyelmeztetések és biztonsági irányelvek be nem tartásáért. A készülék megvásárlásával a vásárló tudomásul veszi a tedee berendezés használatával kapcsolatos összes kockázatot. Ha nem ért egyet ezekkel a feltételekkel, a használat előtt küldje vissza a készüléket a gyártónak vagy a forgalmazónak.

KARBANTARTÁS

- Tisztítás előtt vegye ki az akkumulátort a készülékből. Ne használjon semmilyen kenőanyagot, tisztítószer, polírozószer vagy légfressítőt a készülék bármely

részén. Csak száraz ruhával törölje át.

- Ha a készülékház olyan mértékben elhasználódott, hogy a készülékház épségét veszélyezteti, forduljon a tedee műszaki ügyfélszolgálatához.

MŰSZAKI INFORMÁCIÓ

Műszaki specifikációk

Modell: TDSV1.0

Tápellátás: 1 CR2032 elem

Bluetooth® kommunikáció: BLE 5.2 2.4GHz

Méret: 30 x 64 x 14 mm (az érzékelő), 17 x 64 x 7 mm (a mágnes)

Működési hőmérséklet: 5° C-tól 50° C-ig

Frekvenciatartomány: 2,4 GHz és 2,483 GHz között

Maximális kimeneti teljesítmény: 8dBm

Működési páratartalom: maximum 95%

Ajánlott beállítás: max. 2 méterre a tedee lock-tól max. 2 méterre a tedee-hídtól

Az akkumulátor műszaki adatai

Gyártó neve és címe: az akkumulátor csomagolásán feltüntetett adatok szerint.

Kategória és azonosító: az akkumulátor házában feltüntetett adatok szerint.

Gyártás helye: az akkumulátor csomagolásán feltüntetett adatok szerint.

Súly: ~ 2,90 g

Kapacitás: ~2230mAh

Kémiai összetétel: lítium (100%)

Veszélyes anyagok a higany, kadmium vagy ólom kivételével: N/A

Tűzoltószer: nátrium-klorid (NaCl), terner eutektikus klorid (TEC).

Az akkumulátorban 0,1% felett jelen lévő kritikus nyersanyagok: N/A

JOGI / KÖRNYEZETVÉDELMI MEGJEGYZÉSEK

EU-megfelelőségi nyilatkozat

A Tedee Sp. z o.o. ezennel kijelenti, hogy a Tedee Door Sensor TDSV1.0 rádiós készülék megfelel a 2014/53/EU irányelvnek. Az EU-megfelelőségi nyilatkozat teljes szövege a következő internetes címen érhető el: www.tedee.com/compliance.

WEEE / RoHS

A környezetre gyakorolt esetleges negatív hatások megelőzése érdekében tájékozdjon a helyi törvényekről és előírásokról az elektronikus eszközök és akkumulátorok megfelelő ártalmatlanításáról az Ön országában. Az akkumulátorok ártalmatlanítása - ha a tedee készülék akkumulátort tartalmaz, ne dobja ki azokat a szokásos háztartási hulladékkal együtt.

Adja át őket egy megfelelő újrahasznosító létesítménynek vagy gyűjtőpontnak. A tedee készülékekben használt akkumulátorok nem tartalmaznak higanyt, kadmiumot vagy ólmot a 2006/66/EK irányelvben meghatározott szintek felett. Elektronikai eszközök ártalmatlanítása - ne dobja el a tedee készüléket a szokásos háztartási hulladékkal együtt. Adja át egy megfelelő újrahasznosító létesítménynek vagy gyűjtőpontnak.

Bluetooth®

A Bluetooth® szövegdjegy és logók a Bluetooth SIG, Inc. tulajdonát képezik, és a Tedee Sp. z o.o. által történő felhasználásuk licenc alapján történik. Egyéb védjegyek és kereskedelmi nevek a megfelelő tulajdonosok tulajdonát képezik.

A Google, az Android és a Google Play a Google LLC védjegyei.

Az Apple és az App Store az Apple Inc. védjegyei. Az iOS a Cisco védjegye vagy bejegyzett védjegye az Egyesült Államokban és más országokban, és licenc alapján használatos.

GARANCIA

Tedee korlátozott hardvergarancia

A Tedee Sp. z o. o. szavatolja, hogy a Tedee készülékek az első kiskereskedelmi vásárlástól számított legalább 2 éves időtartamra mentesek a hardveres anyag- és gyártási hibáktól. A Tedee Sp. z o. o. nem vállal felelősséget a készülékek helytelen használatáért (beleértve a jelen kézikönyvben leírtaktól eltérő töltési módszereket), különösen, ha a felhasználó a készülék hardverén vagy szoftverén olyan változtatásokat vagy módosításokat hajtott végre, amelyeket nem a Tedee hagyott jóvá, ajánlott vagy biztosított. A teljes körű garanciális információk a következő linken érhetők el: www.tedee.com/warranty, a gyártó csomagoláson feltüntetett székhelyének címén, valamint a support@tedee.com weboldalon.

A tedee® a Tedee Sp. z o. o. bejegyzett védjegye. Copyright (C) 2022. Minden jog fenntartva.

UA: ІНФОРМАЦІЯ ПРО БЕЗПЕКУ

ПОПЕРЕДЖЕННЯ: Прочитайте всі наведені нижче вказівки та попередження з техніки безпеки. Їх недотримання може призвести до ураження електричним струмом, пожежі та/або серйозних травм. Зберігайте ці інструкції для подальшого використання. Щоб отримати доступ до останньої, найновішої версії цих інструкцій, відвідайте: <https://tedee.com/get-support/>.
ВКАЗІВКИ З БЕЗПЕКИ ПРИ РОБОТІ З АКУМУЛЯТОРОМ / ПОПЕРЕДЖЕННЯ

До комплекту датчика дверей Tedee Door Sensor, що живиться від батарейок, входить одна батарейка CR2032, що не перезаряджається і не обслуговується користувачем.

ПОПЕРЕДЖЕННЯ

- **НЕБЕЗПЕКА ПРОКОВТАННЯ:** Цей виріб містить батарейку для кнопок або монет.
- Проковтування може призвести до СМЕРТІ або серйозних травм.
- Проковтнута батарейка типу «гудзик» або «монета» може спричинити внутрішні хімічні опіки вже через 2 години.
- Зберігайте нові та використані батарейки в недоступному для дітей місці.
- Негайно зверніться за медичною допомогою, якщо є підозра, що батарейку проковтнули або вставили в будь-яку частину тіла.

РЕКОМЕНДОВАНІ БАТАРЕЇ

Для живлення датчика дверей Tedeo потрібно використовувати 1 батарейку CR2032. Ми дозволяємо використовувати лише використання ЗВ.

ПОПЕРЕДЖЕННЯ: Ризик незворотного пошкодження пристрою та втрати гарантії у разі встановлення батарейок з робочою напругою понад 3,3 В!

ЗАБОРОНЯЄТЬСЯ

- Не заряджайте акумулятор, що не перезаряджається. Акумулятори, що не перезаряджаються, не підлягають перезарядці.
- Не змішуйте старі та нові батареї, батареї різних марок або типів, наприклад, лужні, вуглецево-цинкові або акумуляторні батареї
- Не розбирайте, не проколуйте, не модифікуйте, не кидайте і не піддавайте батарею іншим непотрібним ударам.
- Не залишайте і не зберігайте акумулятор у гарячих місцях, наприклад, біля духовки, плити, під прямими сонячними променями або іншими джерелами тепла.
- Не кладіть акумулятор у мікрохвильову піч або будь-який інший контейнер під високим тиском.
- Не занурюйте акумулятор у рідини та не допускайте його контакту з рідинами.
- Не замикайте акумулятор коротким замиканням.

- Не використовуйте батарею, яка протікає, змінила колір, іржавіє, деформувалася, має неприємний запах або має інші відхилення від нормального стану.
- Не торкайтеся батареї, що протікає.
- Не продовжуйте заряджати акумулятор довше зазначеного часу.
- Не викидайте батареї, пристрої та їхні аксесуари разом із побутовим сміттям і не спалюйте. Якщо можливо, переробляйте та розділяйте відходи відповідно до місцевих правил.
- Тримайте акумулятор подалі від дітей віком до 3 років. У разі проковтування негайно зверніться за медичною допомогою.
- Переконайтеся, що батареї встановлені правильно відповідно до полярності (+ і -). Не змінюйте полярність батареї.
- Зберігайте батареї в сухому, прохолодному місці за нормальної кімнатної температури.
- Виймайте та негайно переробляйте або утилізуйте використані батареї відповідно до місцевих правил і тримайте в недоступному для дітей місці.
- Виймайте та негайно переробляйте або утилізуйте батареї з обладнання, яке не використовується протягом тривалого періоду часу, відповідно до місцевих правил.
- Використовуйте батареї, що входять до комплекту, за робочої температури від -20 до +54°C, а зберігайте їх за температури від -30 до +45°C. Перевищення цих діапазонів може призвести до пошкодження, втрати властивостей, витоку або вибуху акумулятора. Зазначені вище температурні діапазони можуть відрізнятися залежно від виробника акумулятора.
- Завжди повністю закривайте відсік акумулятора. Якщо відсік для батарейок не закривається надійно, припиніть використання виробу, вийміть батареї та тримайте їх у недоступному для дітей місці.

ІНША ІНФОРМАЦІЯ

- Навіть використані батареї можуть спричинити серйозні травми або смерть
- Зверніться до місцевого токсикологічного центру для отримання інформації про лікування

- Не розряджайте, не заряджайте, не розбирайте, не нагрівайте понад 158°F і не спалюйте. Це може призвести до травмування внаслідок витоку, витоку або вибуху, що спричинить хімічні опіки.
- Цей пристрій безпечний у використанні при дотриманні правил експлуатації, які можна передбачити за умови звичайного та обґрунтовано передбачуваного неправильного поводження з ним. Якщо ви помітили будь-які ознаки помилок або несправності обладнання, зверніться за допомогою до служби технічної підтримки tedee. У такому випадку цей пристрій слід повернути до tedee для необхідного ремонту згідно з гарантійними умовами. Будь-які зміни або модифікації апаратного або програмного забезпечення пристрою, які не схвалені, не рекомендовані або не надані tedee, можуть призвести до анулювання вашої гарантії.
- Для правильної роботи цього пристрою потрібне джерело живлення та з'єднання Bluetooth(R), а для використання деяких функцій може знадобитися підключення до Інтернету. Виробник не несе відповідальності за потенційні проблеми з доступом до приміщення через відсутність доступу до Інтернету, несправність або виснаження джерела живлення.
- Цей пристрій не призначений для використання як частина домашньої системи безпеки. Виробник не заявляє про будь-які протизламні властивості або атестації, сертифікати або класи протизламного захисту пристрою. Виробник не несе відповідальності за будь-які потенційні збитки/травми, отримані внаслідок крадіжки, злому або вторгнення в результаті пошкодження, подолання або несанкціонованого отримання контролю над пристроєм.
- Для використання деяких функцій цього пристрою може знадобитися придбання додаткових продуктів. У разі виникнення сумнівів, будь ласка, зверніться до служби підтримки tedee.
- Ні Tedee Sp. z o.o., ні наші роздрібні продавці не несуть відповідальності за недотримання вищезазначених попереджень і правил безпеки. Купуючи цей пристрій, покупець визнає всі ризики, пов'язані з використанням обладнання tedee. Якщо ви не згодні з цими умовами, поверніть пристрій виробнику або дистриб'ютору перед використанням.

ОБСЛУГОВУВАННЯ

- Перед чищенням вийміть акумулятор з пристрою. Не використовуйте мастила, миючі засоби, поліролі або освіжувачі повітря на будь-якій частині пристрою. Протирайте його лише сухою тканиною.
- Якщо корпус пристрою зношений настільки, що його цілісність порушена, зверніться до служби технічної підтримки tedee.

ТЕХНІЧНА ІНФОРМАЦІЯ

Технічні характеристики

Модель: TDSV1.0

Джерело живлення: 1 батарея CR2032

Зв'язок Bluetooth®: BLE 5.2 2.4 ГГц

Розміри: 30 x 64 x 14 мм (датчик), 17 x 64 x 7 мм (магніт)

Робоча температура: від 5° C до 50° C

Діапазон частот: від 2,4 ГГц до 2,483 ГГц

Максимальна вихідна потужність: 8 дБм

Робоча вологість: не більше 95

Рекомендована установка: макс. 2 метри від tedee lock макс. 2 метри від tedee bridge

Технічні характеристики батареї

Назва та адреса виробника: вказані на упаковці акумулятора

Категорія та ідентифікатор: як зазначено на корпусі акумулятора

Місце виробництва: вказано на упаковці акумулятора

Вага: ~ 2.90 г

Ємність: ~2230mAh

Хімічний склад: літій (100%)

Небезпечні речовини, крім ртуті, кадмію та свинцю: Н/Д

Вогнегасник: хлорид натрію (NaCl), потрійний евтектичний хлорид (TEC)
Вміст критичної сировини в акумуляторі понад 0,1%: N/A

ЮРИДИЧНІ / ЕКОЛОГІЧНІ ПРИМІТКИ

Декларація відповідності ЄС

Компанія Tedee Sp. z o.o. заявляє, що радіопристрій Tedee Door Sensor TDSV1.0 відповідає вимогам Директиви 2014/53/ЄС. Повний текст Декларації відповідності ЄС доступний за наступною інтернет-адресою: www.tedee.com/compliance.

WEEE / RoHS

Щоб запобігти потенційному негативному впливу на навколишнє середовище, ознайомтеся з місцевими законами та правилами щодо належної утилізації електронних пристроїв та акумуляторів у вашій країні. Утилізація батарейок - якщо ваш пристрій tedee містить батарейки, не викидайте їх разом зі звичайними побутовими відходами. Віддайте їх у відповідний центр переробки або пункт збору. Батарейки, що використовуються в пристроях tedee, не містять ртуті, кадмію або свинцю вище рівнів, визначених Директивою 2006/66/ЄС. Утилізація електроніки - не викидайте пристрій tedee разом зі звичайними побутовими відходами. Віддайте його у відповідний центр переробки або пункт збору відходів.

Bluetooth®

Словесний знак і логотипи Bluetooth® належать Bluetooth SIG, Inc. і будь-яке використання цих знаків компанією Tedee Sp. z o.o. здійснюється за ліцензією. Інші торгові марки та торгові назви належать відповідним власникам.

Google, Android та Google Play є товарними знаками компанії Google LLC.

Apple та App Store є торговими марками Apple Inc.
iOS є торговою маркою або зареєстрованою торговою маркою компанії Cisco у

США та інших країнах і використовується за ліцензією.

ГАРАНТІЯ

Обмежена гарантія на обладнання Tedee

Tedee Sp. z o. o. гарантує, що пристрої Tedee не мають апаратних дефектів матеріалів та виготовлення протягом не менше 2 років з дати першої роздрібною покупки. Tedee Sp. z o. o. не несе відповідальності за неправильне використання пристроїв (включаючи способи зарядки, відмінні від описаних у цьому посібнику), особливо якщо користувач вніс будь-які зміни або модифікації в апаратне або програмне забезпечення пристрою, які не були схвалені, рекомендовані або надані компанією Tedee. Повна інформація про гарантію доступна за наступним посиланням: www.tedee.com/warranty, за адресою штаб-квартири виробника, вказаною на упаковці, та за адресою support@tedee.com.

tedee® є зареєстрованою торговою маркою компанії Tedee Sp. z o. o. Copyright (C) 2022. Всі права захищені.

RU: ИНФОРМАЦИЯ ПО БЕЗОПАСНОСТИ

ПРЕДУПРЕЖДЕНИЕ: Прочтите все приведенные ниже указания по технике безопасности и предупреждения. Их несоблюдение может привести к поражению электрическим током, пожару и/или серьезным травмам. Сохраните эти инструкции для дальнейшего использования. Для получения доступа к последней, наиболее актуальной версии этих инструкций посетите сайт: <https://tedee.com/get-support/>.

УКАЗАНИЯ ПО БЕЗОПАСНОСТИ ИСПОЛЬЗОВАНИЯ БАТАРЕЙ / ПРЕДУПРЕЖДЕНИЕ

В комплект датчика двери Tedee с питанием от батареи входит одна непerezаряжаемая и не обслуживаемая пользователем батарея CR2032.

ПРЕДУПРЕЖДЕНИЕ

- Опасность ИНГЕСТИИ: В данном изделии содержится кнопочный элемент или монетная батарейка.
- Проглатывание может привести к смерти или серьезным травмам.
- Проглоченный пуговичный элемент или монетная батарейка могут вызвать внутренний химический ожог всего за 2 часа.
- Храните новые и использованные батареи в недоступном для детей месте.
- Немедленно обратитесь за медицинской помощью, если есть подозрение, что батарея проглочена или введена в любую часть тела.

РЕКОМЕНДУЕМЫЕ БАТАРЕЙКИ

Для питания дверного датчика Tedee необходимо использовать 1 батарейку CR2032. Мы разрешаем использовать только 3 В.

ПРЕДУПРЕЖДЕНИЕ: Опасность необратимого повреждения устройства и потери гарантии в случае установки батарей с рабочим напряжением более 3,3 В!

НЕ

- Не заряжайте непerezаряжаемые батареи. Непerezаряжаемые батареи не подлежат перезарядке.
- Не смешивайте старые и новые батареи, батареи разных марок или типов, например щелочные, угольно-цинковые или перезаряжаемые батареи.
- Не разбирайте, не прокалывайте, не модифицируйте, не роняйте, не бросайте и не подвергайте батарею другим ненужным ударам.
- Не оставляйте и не храните батарею в горячих местах, например, рядом с духовкой, плитой, прямыми солнечными лучами или другими источниками тепла.
- Не помещайте батарею в микроволновую печь или в любой другой контейнер, находящийся под высоким давлением.

- Не погружайте батарею в жидкости и не допускайте ее контакта с жидкостями.
- Не допускайте короткого замыкания батареи.
- Не используйте батарею, которая протекает, обесцвечена, ржавая, деформирована, издает неприятный запах или имеет другие отклонения от нормы.
- Не прикасайтесь к протекающему аккумулятору.
- Не продолжайте заряжать батарею дольше указанного времени.
- НЕ выбрасывайте аккумуляторы, устройства и аксессуары к ним в бытовой мусор или сжигайте. Если возможно, перерабатывайте и разделяйте в соответствии с местными правилами.
- Держите аккумулятор вдали от детей младше 3 лет. В случае проглатывания немедленно обратитесь за медицинской помощью.
- Убедитесь, что батареи установлены правильно в соответствии с полярностью (+ и -). Не меняйте полярность батарей.
- Храните батареи в сухом прохладном месте при нормальной комнатной температуре.
- Извлекайте и немедленно перерабатывайте или утилизируйте использованные батареи в соответствии с местными правилами и храните их вдали от детей.
- Извлекайте и немедленно перерабатывайте или утилизируйте батареи из оборудования, которое не использовалось в течение длительного времени, в соответствии с местными правилами.
- Используйте входящие в комплект батареи при рабочей температуре от -20 до +54°C, а храните их при температуре от -30 до +45°C. Превышение указанных диапазонов может привести к повреждению, потере свойств, утечке или взрыву батареи. Указанные температурные диапазоны могут отличаться в зависимости от производителя батарей.
- Dr всегда полностью закрывайте отсек для батарей. Если отсек для батарей не закрывается надежно, прекратите использование устройства, извлеките батареи и храните их вдали от детей.

ДРУГАЯ ИНФОРМАЦИЯ

- Даже использованные батареи могут привести к тяжелым травмам или смерти.
- Позвоните в местный центр контроля отравлений, чтобы получить информацию о лечении
- Не разряжайте, не перезаряжайте, не разбирайте, не нагревайте выше 158°F и не сжигайте. Это может привести к травмам из-за утечки, протекания или взрыва, вызывающего химические ожоги.
- Данное устройство безопасно для использования при нормальном и разумно прогнозируемом неправильном использовании. Если вы заметили какие-либо признаки ошибок или неисправности оборудования, обратитесь за помощью в службу технической поддержки tedee. В этом случае устройство следует вернуть компании tedee для проведения необходимого ремонта в соответствии с условиями гарантии. Любые изменения или модификации аппаратного или программного обеспечения устройства, не одобренные, не рекомендованные или не предоставленные компанией tedee, могут лишить вас гарантии.
- Для правильной работы этого устройства требуется источник питания и соединение Bluetooth(R), а для использования некоторых его функций может потребоваться подключение к Интернету. Производитель не несет ответственности за возможные проблемы с доступом в помещение, вызванные отсутствием доступа к Интернету, отказом или исчерпанием источника питания.
- Это устройство не предназначено для использования в качестве части домашней системы безопасности. Производитель не заявляет о каких-либо противовзломных свойствах или аттестациях, сертификатах или классах противовзломной защиты устройства. Производитель не несет ответственности за возможный ущерб/травму, полученную в результате кражи, взлома или проникновения, вызванного повреждением, преодолением или несанкционированным получением контроля над устройством.
- Для использования некоторых функций этого устройства может

потребоваться приобретение дополнительных продуктов. В случае сомнений обратитесь в службу поддержки tedee.

- Ни компания Tedee Sp. z o.o., ни наши розничные продавцы не несут ответственности за несоблюдение вышеуказанных предупреждений и правил безопасности. Приобретая данное устройство, покупатель признает все риски, связанные с использованием оборудования tedee. Если вы не согласны с этими условиями, верните устройство производителю или дистрибьютору перед использованием.

ТЕХНИЧЕСКОЕ ОБСЛУЖИВАНИЕ

- Перед чисткой извлеките батарею из устройства. Не используйте смазки, чистящие средства, полироли или освежители воздуха на любых частях устройства. Протирайте его только сухой тканью.
- Если обнаружится, что корпус устройства изношен до такой степени, что нарушена его целостность, обратитесь в службу технической поддержки tedee.

ТЕХНИЧЕСКАЯ ИНФОРМАЦИЯ

Технические характеристики

Модель: TDSV1.0

Источник питания: 1 батарейка CR2032

Связь Bluetooth®: BLE 5.2 2.4GHz

Размеры: 30 x 64 x 14 мм (датчик), 17 x 64 x 7 мм (магнит)

Рабочая температура: от 5° C до 50° C

Частотный диапазон: от 2,4 ГГц до 2,483 ГГц

Максимальная выходная мощность: 8 дБм

Рабочая влажность: не более 95%

Рекомендуемая установка: макс. 2 метра от замка теди макс. 2 метра от моста Теди

Технические характеристики батареи

Название и адрес производителя: указаны на упаковке батареи

Категория и идентификатор: указаны на корпусе батареи

Место производства: указано на упаковке батареи

Вес: ~ 2,90 г

Емкость: ~2230mAh

Химический состав: литий (100%)

Опасные вещества, кроме ртути, кадмия или свинца: N/A

Огнетушащее вещество: хлорид натрия (NaCl), тернарный эвтектический хлорид (TEC)

Критические сырьевые материалы, присутствующие в батарее в количестве более 0,1%: N/A

ЮРИДИЧЕСКИЕ / ЭКОЛОГИЧЕСКИЕ ПРИМЕЧАНИЯ

Декларация соответствия ЕС

Компания Tedee Sp. z o.o. настоящим заявляет, что радиоустройство Tedee Door Sensor TDSV1.0 соответствует Директиве 2014/53/EU. Полный текст Декларации соответствия ЕС доступен по следующему интернет-адресу: www.tedee.com/compliance.

WEEE / RoHS

Для предотвращения возможного негативного воздействия на окружающую среду ознакомьтесь с местными законами и правилами по надлежащей утилизации электронных устройств и батарей в вашей стране. Утилизация батареек - если ваше устройство tedee содержит батарейки, не выбрасывайте их вместе с обычными бытовыми отходами. Сдайте их в соответствующее учреждение по переработке отходов или в пункт приема. Батареи, используемые в устройствах tedee, не содержат ртути, кадмия или свинца в количестве, превышающем уровень, указанный в Директиве 2006/66/

ЕС. Утилизация электроники - не выбрасывайте устройство tedee вместе с обычными бытовыми отходами. Сдайте его в соответствующее учреждение по переработке отходов или в пункт сбора.

Bluetooth®

Словесный знак и логотипы Bluetooth® принадлежат компании Bluetooth SIG, Inc. и любое использование этих знаков компанией Tedee Sp. z o.o. осуществляется по лицензии. Другие торговые марки и торговые наименования принадлежат их соответствующим владельцам.

Google, Android и Google Play являются товарными знаками компании Google LLC.

Apple и App Store являются товарными знаками компании Apple Inc. iOS является торговой маркой или зарегистрированной торговой маркой компании Cisco в США и других странах и используется по лицензии.

ГАРАНТИЯ

Ограниченная гарантия на оборудование Tedee

Компания Tedee Sp. z o.o. гарантирует, что устройства Tedee не имеют аппаратных дефектов материалов и качества изготовления в течение не менее 2 лет с момента первой розничной покупки. Компания Tedee Sp. z o.o. не несет ответственности за неправильное использование устройств (включая методы зарядки, отличные от описанных в данном руководстве), особенно если пользователем были произведены какие-либо изменения или модификации аппаратного или программного обеспечения устройства, которые не были одобрены, рекомендованы или предоставлены компанией Tedee. Полная информация о гарантии доступна по следующей ссылке: www.tedee.com/warranty, по адресу головного офиса производителя, указанному на упаковке, и по адресу support@tedee.com.

tedee® является зарегистрированной торговой маркой компании Tedee Sp. z o. o. Copyright (C) 2022. Все права защищены.

ET: OHUTUSALANE TEAVE

HOIATUS: Lugege kõiki allpool esitatud ohutusjuhiseid ja hoiatusi. Nende eiramine võib põhjustada elektrilööki, tulekahju ja/või tõsiseid vigastusi. Hoidke need juhised edaspidiseks kasutamiseks alles. Nende juhiste uusima ja ajakohaseima versiooni saamiseks külastage: <https://tedee.com/get-support/>.

AKU OHUTUSJUHISED / HOIATUS

Tedee ukse sensori patareikomplekt sisaldab ühte mitte-laetavat ja mitte-kasutuskõlblikku CR2032 patareid.

HOIATUS

- RIKKUMISE OHT: See toode sisaldab nõõp- või mündipatareid.
- Allaneelamisel võib tekkida surm või tõsine vigastus.
- Neelatud nõõpelement või mündipatarei võib põhjustada sisemisi keemilisi põletusi juba 2 tunni jooksul.
- Hoidke uued ja kasutatud patareid LASTELE kättesaamatus kohas.
- Pöörduge viivitamatult arsti poole, kui kahtlustatakse, et patarei on alla neelatud või sisestatud mis tahes kehaosasse.

SOOVITATAVAD PATAREID

Tedee ukse sensori toiteks on vaja 1 CR2032 patareid. Me lubame ainult kasutamist 3 V.

HOIATUS: seadme püsiva kahjustamise ja garantii kaotamise oht, kui paigaldatakse patareid, mille tööpinge ületab 3,3V!

ÄRGE

- Ärge laadige mitte-laetavat patareid. Mitte-laetavaid patareid ei tohi laadida.
- Ärge segage vanu ja uusi patareid, eri kaubamärke või patareitüüpe, näiteks leelis-, süsinik-tsink- või laetavaid patareid, kokku
- Ärge võtke patareid lahti, ärge läbistage, modifitseerige, ärge laske neid maha, ärge visake neid ega põhjustage neile muid tarbetuid põrutusi.
- Ärge jätke ega hoidke patareid kuumades kohtades, näiteks ahju, pliidi, otsese päikesevalguse või muu soojusallika läheduses.
- Ärge pange akut mikrolaineahju ega muusse kõrgsurvepaaki.
- Ärge kastke akut vedelikesse ega laske neil kokku puutuda vedelikega.
- Ärge sulgege akut lühisesse.
- Ärge kasutage akut, mis näib olevat lekkiv, värvunud, roostetanud, deformeerunud; mis eritab lõhna või on muul viisil ebatavaline.
- Ärge puudutage lekkivat akut.
- Ärge jätkake aku laadimist kauem kui ettenähtud aeg.
- ÄRGE visake patareid, seadmeid ja tarvikuid kodumajapidamises prügikasti ega põletage neid. Võimaluse korral taaskasutage ja eraldage vastavalt kohalikele eeskirjadele.
- Hoidke patareid alla 3-aastastest lastest eemal. allaneelamise korral võtke kohe ühendust kohaliku meditsiiniabiga.
- Veenduge, et patareid on paigaldatud õigesti vastavalt polaarsusele (+ ja -). Ärge pöörake patareide polaarsust.
- Hoidke patareid jahedas, kuivas kohas normaalsel toatemperatuuril.
- Võtke kasutatud patareid välja ja taaskasutage või kõrvaldage need koheselt vastavalt kohalikele eeskirjadele ning hoidke need laste eest eemal.
- Eemaldage akud seadmetest, mida ei ole pikemat aega kasutatud, ja kõrvaldage need koheselt vastavalt kohalikele eeskirjadele.
- Kasutage kaasasolevaid patareid töötemperatuuril -20 kuni +54°C ja hoidke neid temperatuuril -30 kuni +45°C. Nende vahemike ületamine võib põhjustada aku kahjustumist, omaduste kadumist, lekkimist või plahvatust. Ülaltoodud temperatuurivahemikud võivad sõltuvalt aku tootjast erineda.
- Dp kinnitage akukamber alati täielikult. Kui patareipesa ei sulgu kindlalt,

lõpetage toote kasutamine, eemaldage patareid ja hoidke need laste eest eemal.

MUU TEAVE

- Ka kasutatud patareid võivad põhjustada raskeid vigastusi või surma
- Helistage raviteabe saamiseks kohaliku mürgistusteabekeskusesse
- Ärge sundlaadige, ärge laadige, võtke lahti, ärge kuumutage üle 158°F ega põletage. See võib põhjustada vigastusi, mis on tingitud ventilatsioonist, lekkimisest või plahvatuses, mille tagajärjel võivad tekkida keemilised põletushaavad
- Seda seadet on ohutu kasutada tavalise ja mõistlikult ettearvatava väärkasutuse korral käitumisjuhendi kohaselt. Kui märkate vigu või riistvara talitlushäireid, võtke abi saamiseks ühendust teede tehnilise toega. Sellisel juhul tuleb see seade tagastada teede'le vajalikuks remondiks vastavalt garantiitingimustele. Mis tahes muudatused või modifikatsioonid seadme riistvaras või tarkvaras, mis ei ole teede poolt heaks kiidetud, soovitatud või ette nähtud, võivad tühistada teie garantii.
- See seade vajab nõuetekohaseks toimimiseks toiteallikat ja Bluetooth(R)-ühendust ning võib mõne funktsiooni kasutamiseks nõuda internetiühendust. Tootja ei vastuta võimalike ruumiühenduse probleemide eest, mis tulenevad internetiühenduse puudumisest või toiteallika rikke või ammendumisest.
- See seade ei ole mõeldud kasutamiseks kodu turvasüsteemi osana. Tootja ei deklareeri seadmele mingeid sissemurdmisvastaseid omadusi ega tunnistusi, sertifikaate ega sissemurdmiskaitseklasse. Tootja ei vastuta varguse, sissemurdmise või sissemurdmise tagajärjel tekkinud võimalike kahjustuste/vigastuste eest, mis tulenevad seadme kahjustamisest, ületamisest või seadme omavolilisest kontrolli alla saamisest.
- Selle seadme mõne funktsiooni võimaldamiseks võib olla vaja osta lisatooteid. Kahtluse korral võtke ühendust teede klienditoega.
- Ei Teede Sp. z o.o. ega meie jaemüüjad ei vastuta ülaltoodud hoiatuste ja ohutusjuhiste eiramise eest. Selle seadme ostmisega tunnistab ostja kõiki teede seadmete kasutamisega seotud riske. Kui te ei nõustu nende tingimustega, tagastage seade enne kasutamist tootjale või edasimüüjale.

HOOLDUS

- Enne puhastamist eemaldage seadmest aku. Ärge kasutage ühelgi seadme osal mingeid määrdeaineid, puhastusvahendeid, poleerimisvahendeid ega õhuvärskendajaid. Pühkige seda ainult kuiva lapiga.
- Kui leiate, et seadme korpus on nii palju kulunud, et korpuse terviklikkus on ohus, võtke ühendust teede tehnilise toega.

TEHNILINE INFORMATSIOON

Tehnilised andmed

Mudel: TDSV1.0

Toiteallikas: 1 CR2032 patarei

Bluetooth® side: BLE 5.2 2.4GHz

Möödud: 30 x 64 x 14 mm (andur), 17 x 64 x7 mm (magnet).

Töötemperatuur: 5° C kuni 50° C

Sagedusvahemik: 2,4 GHz kuni 2,483 GHz

Maksimaalne väljundvõimsus: 8 dBm

Tööniiskus: maksimaalselt 95%

Soovitatav seadistus: max. 2 meetri kaugusel teede lukust max. 2 meetrit teede-sillast

Aku tehnilised näitajad

Tootja nimi ja aadress: nagu on näidatud aku pakendil

Kategooria ja ID: nagu on näidatud aku korpusel

Tootmiskoht: nagu on märgitud aku pakendil.

Kaal: ~ 2,90 g

Mahtuvus: ~2230mAh

Keemiline koostis: liitium (100%)

Muud ohtlikud ained kui elavhõbe, kaadmium või plii: N/A

Tulekustutusaine: naatriumkloriid (NaCl), ternaarne eutektiline kloriid (TEC).

Kriitilised toorained, mida esineb akus üle 0,1%: N/A

ÕIGUSLIKUD / KESKKONNAALASED MÄRKUSED

ELi vastavusdeklaratsioon

Tedee Sp. z o.o. deklareerib käesolevaga, et Tedee Door Sensor TDSV1.0 raadioseade vastab direktiivile 2014/53/EL. ELi vastavusdeklaratsiooni täistekst on kättesaadav järgmisel internetiaadressil: www.tedee.com/compliance.

WEEE / RoHS

Võimalike negatiivsete keskkonnamõjude vältimiseks konsulteerige oma riigi kohalike seaduste ja eeskirjadega elektroonikaseadmete ja patareide nõuetekohase kõrvaldamise kohta. Patareide kõrvaldamine - kui teie tedee seade sisaldab patareisid, ärge visake neid tavaliste olmejäätmete hulka. Andke need üle sobivasse ringlussevõtuasutusse või kogumispunkti. Tedee seadmetes kasutatavad patareid ei sisalda elavhõbedat, kaadmiumi ega pliid üle direktiivis 2006/66/EÜ sätestatud piirnormide. Elektroonika kõrvaldamine - ärge visake tedee-seadet tavaliste olmejäätmete hulka. Andke see üle sobivasse ringlussevõtuasutusse või kogumispunkti.

Bluetooth®

Bluetooth® sõnamärk ja logod on Bluetooth SIG, Inc. omandis ja nende kaubamärkide kasutamine Tedee Sp. z o.o. poolt toimub litsentsi alusel. Muud kaubamärgid ja kaubanimed kuuluvad vastavatele omanikele.

Google, Android ja Google Play on Google LLC kaubamärgid.

Apple ja App Store on Apple Inc. kaubamärgid. iOS on Cisco kaubamärk või registreeritud kaubamärk USA-s ja teistes riikides ning seda kasutatakse litsentsi alusel.

GARANTSI

Tedee piiratud riistvaragarantii

Tedee Sp. z o. o. garanteerib, et Tedee seadmetel ei ole materjali- ja valmistusvigu vähemalt 2 aasta jooksul alates esimese jaemüügiostu kuupäevast. Tedee Sp. z o. o. ei võta vastutust seadmete väärikasutuse eest (sealhulgas käesolevas kasutusjuhendis kirjeldatust erinevate laadimismeetodite eest), eriti kui kasutaja on teinud muudatusi või modifikatsioone seadme riistvaras või tarkvaras, mis ei ole Tedee poolt heaks kiidetud, soovitatud või ette nähtud. Täielik teave garantii kohta on kättesaadav järgmisel aadressil: www.tedee.com/warranty, pakendil märgitud tootja peakontori aadressil ja aadressil support@tedee.com.

tedee® on Tedee Sp. z o. o. registreeritud kaubamärk. Copyright (C) 2022. Kõik õigused kaitstud.

LT: SAUGOS INFORMACIJA

ĮSPĖJIMAS: perskaitykite visus toliau pateiktus saugos nurodymus ir įspėjimus. Jų nesilaikymas gali sukelti elektros smūgį, gaisrą ir (arba) sunkų sužalojimą. Saugokite šias instrukcijas, kad galėtumėte jomis naudotis ateityje. Norėdami susipažinti su naujausia, aktualiausia šių instrukcijų versija, apsilankykite adresu: <https://tedee.com/get-support/>.

AKUMULIATORIAUS SAUGOS NURODYMAI / ĮSPĖJIMAI

Baterijomis maitinamame „Tedee“ durų jutiklio rinkinyje yra viena neįkraunama ir naudotojo neaptauojama CR2032 baterija.

ĮSPĖJIMAS

- PAVOJUS PAVOJUS ŽIAUKLAI: šiame gaminyje yra mygtukinė arba monetinė baterija.

- Prarijus gali įvykti MIRTIS arba sunkus sužalojimas.
- Praryta mygtukinė arba monetinė baterija gali sukelti vidinį cheminį nudegimą vos per 2 valandas.
- Naujus ir panaudotus akumuliatorius LAIKYKITE VIEŠOJE APSAUGOJE, KAD JŪ NEPASTEBĖTŲ VAIKAI.
- Jei įtariama, kad baterija praryta arba įkišta į bet kurią kūno dalį, nedelsdami kreipkitės į gydytoją.

REKOMENDUOJAMOS BATERIJOS

Tedee durų jutikliui maitinti reikia naudoti 1 CR2032 bateriją. Leidžiame naudoti tik naudoti 3 V.

ĮSPĖJIMAS: Įdėjus baterijas, kurių darbinė įtampa viršija 3,3 V, kyla pavojus negrįžtamai sugadinti prietaisą ir prarasti garantiją!

NEGALIMA

- Neįkraukite neįkraunamų akumuliatorių. Neįkraunamų akumuliatorių negalima įkrauti.
- Nemaišykite senų ir naujų baterijų, skirtingų markių ar tipų baterijų, pavyzdžiui, šarminių, anglies-cinko ar įkraunamų baterijų
- Neardykite, neperdurkite, nemodifikuokite, nemeskite, nemėtykite ir nesukelkite kitų nereikalingų smūgių akumuliatoriui.
- Nepalikite ir nelaikykite akumuliatoriaus karštosiose vietose, pavyzdžiui, šalia orkaitės, viryklės, tiesioginių saulės spindulių ar kito šilumos šaltinio.
- Nedėkite akumuliatoriaus į mikrobangų krosnelę arba į bet kokią kitą aukšto slėgio indą.
- Nemerkite akumuliatoriaus į skysčius ir neleiskite jam liestis su skysčiais.
- Nedarykite trumpojo jungimo.
- Nenaudokite akumuliatoriaus, kuris atrodo prakiuręs, pakeitęs spalvą, surūdijęs, deformuotas; sklaidžia kvapą; arba yra kitaip neįprastas.
- Nelieskite ištekėjusio akumuliatoriaus.

- Neįkraukite akumuliatoriaus ilgiau nei nurodyta.
- NEišmeskite akumuliatorių, prietaisų ir jų priedų į buitines šiukšliadėžes arba nedeginkite. Jei įmanoma, utilizuokite ir rūšiuokite pagal vietines taisykles
- Bateriją laikykite atokiau nuo jaunesnių nei 3 metų amžiaus vaikų. Prarijus bateriją, nedelsdami kreipkitės į vietinę medicinos pagalbą.
- Įsitikinkite, kad akumuliatoriai sumontuoti teisingai pagal poliškumą (+ ir -). Negalima keisti baterijų poliškumo.
- Baterijas laikykite vėsioje, sausoje vietoje, įprastoje kambario temperatūroje.
- Panaudotas baterijas išimkite ir nedelsdami atiduokite perdirbti arba išmeskite pagal vietos taisykles ir laikykite atokiau nuo vaikų.
- Ilgesnį laiką nenaudotos įrangos akumuliatorius išimkite ir nedelsiant perdirbkite arba utilizuokite pagal vietos taisykles.
- Naudokite komplekte esančias baterijas esant nuo -20 iki +54 °C darbo temperatūrai, o laikykite jas nuo -30 iki +45 °C temperatūroje. Viršijus šias ribas, baterija gali būti sugadinta, prarasti savybes, ištekėti arba sprogti. Aukščiau nurodyti temperatūros intervalai gali skirtis priklausomai nuo akumuliatoriaus gamintojo.
- Dp visada visiškai uždarykite akumuliatoriaus skyrių. Jei akumuliatoriaus skyrius nėra patikimai uždarytas, nustokite naudoti gaminį, išimkite akumuliatorius ir saugokite juos nuo vaikų.

KITA INFORMACIJA

- Net panaudotos baterijos gali sukelti sunkius sužalojimus arba mirtį
- Skambinkite į vietinį apsinuodijimų kontrolės centrą ir gaukite informacijos apie gydymą
- Negalima priverstinai iškrauti, įkrauti, išardyti, kaitinti aukštesnėje nei 158°F temperatūroje arba deginti. Taip elgdamiesi galite susižeisti dėl išsiveržimo, nuotėkio ar sprogo, dėl kurio galite patirti cheminių nudegimų
- Šį prietaisą saugu naudoti esant įprastam ir pagrįstai numatomam netinkamam naudojimui Darbo tvarkos taisyklės. Pastebėję bet kokių klaidų požymių ar aparatinės įrangos veikimo sutrikimų, kreipkitės pagalbos į tedee techninės pagalbos tarnybą. Tokiu atveju šį prietaisą reikia grąžinti „tedee“, kad būtų

atliktas būtinas remontas pagal garantijos sąlygas. Bet kokie prietaiso aparatinės ar programinės įrangos pakeitimai ar modifikacijos, kurių nepatvirtino, nerekomendavo ar nepateikė tedee, gali panaikinti garantiją.

- Kad šis prietaisas tinkamai veiktų, reikia maitinimo šaltinio ir „Bluetooth“ (R) ryšio, o norint naudotis kai kuriomis jo funkcijomis, gali prireikti interneto ryšio. Gamintojas neatsako už galimas patalpos prieigos problemas, kylančias dėl interneto prieigos nebuvimo arba maitinimo šaltinio gedimo ar išsekimo.
- Šis prietaisas nėra skirtas naudoti kaip namų apsaugos sistemos dalis. Gamintojas nedeklaruoja jokių šio prietaiso apsaugos nuo įsilaužimo savybių ar atestatų, sertifikatų ar apsaugos nuo įsilaužimo klasių. Gamintojas neatsako už bet kokią galimą žalą ir (arba) sužalojimus, patirtus dėl vagystės, įsilaužimo ar įsibrovimo, atsiradusio dėl prietaiso sugadinimo, įveikimo ar nesankcionuoto jo užvaldymo.
- Norint įjungti kai kurias šio prietaiso funkcijas, gali reikėti įsigyti papildomų produktų. Jei kyla abejonių, kreipkitės į tedee pagalbos tarnybą.
- Nei Tedee Sp. z o.o., nei mūsų mažmenininkai neatsako už pirmiau pateiktų įspėjimų ir saugos nurodymų nesilaikymą. Pirkėjas, įsigydamas šį prietaisą, pripažįsta visą su tedee įrangos naudojimu susijusią riziką. Jei nesutinkate su šiomis sąlygomis, prieš naudodami prietaisą gražinkite jį gamintojui arba platintojui.

TECHNINĖ PRIEŽIŪRA

- Prieš valydami iš prietaiso išimkite akumuliatorių. Nenaudokite jokių tepalų, valymo priemonių, poliravimo priemonių ar oro gaiviklių ant jokių prietaiso dalių. Nuvalykite jį tik sausa šluoste.
- Jei nustatoma, kad prietaiso korpusas susidėvėjęs tiek, kad pažeistas korpuso vientisumas, kreipkitės į tedee techninės pagalbos tarnybą.

TECHNINĖ INFORMACIJA

Techninės specifikacijos

Modelis: TDSV1.0

Maitinimo šaltinis: Baterija: 1 CR2032 baterija

Bluetooth® ryšys: BLE 5.2 2.4 GHz 2.4 GHz

Dimensions: 30 x 64 x 14 mm (jutiklis), 17 x 64 x 7 mm (magnetis)

Darbinė temperatūra: nuo 5° C iki 50° C

Dažnių diapazonas: nuo 2,4 GHz iki 2,483 GHz

Didžiausia išėjimo galia: 8 dBm

Darbinė drėgmė: ne daugiau kaip 95 %

Rekomenduojamas nustatymas: maks. 2 metrai nuo tedee užrakto maks. 2 metrai nuo tedee tilto

Akumulatoriaus techniniai duomenys

Gamintojo pavadinimas ir adresas: kaip nurodyta ant akumulatoriaus pakuotės

Kategorija ir ID: kaip nurodyta ant akumulatoriaus korpuso

Gamybos vieta: kaip nurodyta ant baterijos pakuotės

Svoris: ~ 2,90 g

Talpa: ~ 2230 mAh

Cheminė sudėtis: litis (100 %)

Pavojingos medžiagos, išskyrus gyvsidabrij, kadmį ar šviną: NETAIKOMA.

Gesinimo medžiaga: natrio chloridas (NaCl), terninis eutektinis chloridas (TEC)

Akumuliatoriuje esančios kritinės žaliavos, kurių yra daugiau kaip 0,1 proc:

NETAIKOMA

TEISINĖS / APLINKOSAUGOS PASTABOS

ES atitikties deklaracija

Tedee Sp. z o.o. pareiškia, kad „Tedee Door Sensor TDSV1.0“ radijo įrenginys atitinka Direktyvą 2014/53/ES. Visą ES atitikties deklaracijos tekstą galima rasti šiuo interneto adresu: www.tedee.com/compliance.

WEEE / RoHS

Kad išvengtumėte galimo neigiamo poveikio aplinkai, pasidomėkite savo šalies įstatymais ir taisyklėmis dėl tinkamo elektroninių prietaisų ir baterijų šalinimo. Baterijų šalinimas - jei jūsų tedee įrenginyje yra baterijų, neišmeskite jų kartu su įprastomis buitinėmis atliekomis. Atiduokite jas į atitinkamą perdirbimo įmonę arba surinkimo punktą. Tedee prietaisuose naudojamose baterijose gyvsidabrio, kadmio ar švino kiekis neviršija 2006/66/EB direktyvoje nurodytų kiekių. Elektronikos šalinimas - neišmeskite tedee prietaiso kartu su įprastomis buitinėmis atliekomis. Atiduokite jį į atitinkamą perdirbimo įmonę arba surinkimo punktą.

Bluetooth®

Žodinis „Bluetooth®“ ženklas ir logotipai priklauso „Bluetooth SIG, Inc.“, o „Tedee Sp. z o.o.“ šiuos ženklus naudoja pagal licenciją. Kiti prekių ženklai ir prekių pavadinimai priklauso atitinkamiems jų savininkams.

„Google“, „Android“ ir „Google Play“ yra „Google LLC“ prekių ženklai.

„Apple“ ir „App Store“ yra „Apple Inc.“ prekių ženklai. „iOS“ yra „Cisco“ prekių ženklas arba registruotas prekių ženklas JAV ir kitose šalyse ir naudojamas pagal licenciją.

GARANTUJA

Tedee ribota aparatinės įrangos garantija

Tedee Sp. z o. o. garantuoja, kad „Tedee“ prietaisai neturi aparatinės įrangos defektų, susijusių su medžiagomis ir pagaminimu, ne trumpesnę kaip 2 metų laikotarpį nuo pirmojo mažmeninio pirkimo datos. Tedee Sp. z o. o. neprisiima atsakomybės už netinkamą prietaisų naudojimą (įskaitant kitus nei šiame vadove aprašytus įkrovimo būdus), ypač jei naudotojas atliko bet kokius prietaiso techninės ar programinės įrangos pakeitimus ar modifikacijas, kurių nepatvirtino, nerekomendavo ar nepateikė

Tedee. Visą informaciją apie garantiją galima rasti šioje nuorodoje: www.tedee.com/warranty, gamintojo būstinės adresu, nurodytu ant pakuotės, ir adresu support@tedee.com.

tedee® yra registruotas Tedee Sp. z o. o. registruotas prekės ženklas. autorių teisės (C) 2022. Visos teisės saugomos.

LV: DROŠĪBAS INFORMĀCIJA

BRĪDINĀJUMS: izlasiet visus turpmāk sniegtos drošības norādījumus un brīdinājumus. To neievērošana var izraisīt elektriskās strāvas triecienu, ugunsgrēku un/vai nopietnus ievainojumus. Saglabājiet šos norādījumus turpmākai lietošanai. Lai piekļūtu jaunākajai, aktuālajai šo instrukciju versijai, apmeklējiet: <https://tedee.com/get-support/>.

AKUMULATORU DROŠĪBAS NORĀDĪJUMI / BRĪDINĀJUMI

Tedee durvju sensora komplektā, kas darbojas ar bateriju, ir iekļauta viena neuzlādējama un lietotāja neapkalpotā CR2032 baterija.

BRĪDINĀJUMS

- IEDROŠINĀJUMU BOJESMS: Šis izstrādājums satur pogveida elementu vai monētas bateriju.
- Norīšanas gadījumā var iestāties nāve vai nopietni ievainojumi.
- Norīta pogveida baterija vai monētas baterija var izraisīt iekšēju ķīmisku apdegumu jau pēc 2 stundām.
- Jaunas un izlietas baterijas UZTURĒT VAIRĀK no bērnu redzesloka.
- Ja ir aizdomas, ka baterija ir norīta vai ievietota jebkurā ķermeņa daļā, nekavējoties meklējiet medicīnisko palīdzību.

IETEICAMĀS BATERIJAS

Lai darbinātu Tedee durvju sensoru, ir jāizmanto 1 CR2032 baterija. Mēs atļaujam izmantot tikai izmantot 3 V.

BRĪDINĀJUMS: Pastāv pastāvīgs ierīces bojājumu un garantijas zaudēšanas risks, ja tiek uzstādītas baterijas ar darba spriegumu, kas pārsniedz 3,3 V!

NEPIEĻAUJIET

- Neuzlādējiet atkārtoti neuzlādējamu akumulatoru. Neuzlādējamus akumulatorus nedrīkst uzlādēt.
- Nesajauciet vecas un jaunas baterijas, dažādu zīmolu vai veidu baterijas, piemēram, sārnu, oglekļa-cinka vai uzlādējamās baterijas.
- Neizjauciet, nepārduriet, nemodificējiet, nemetiet, nemetiet un neradiet citus nevajadzīgus triecienus baterijai.
- Neatstājiet vai neglabājiet akumulatoru karstās vietās, piemēram, pie cepeškrāsns, plīts, tiešos saules staros vai citos siltuma avotos.
- Neielieciet akumulatoru mikroviļņu krāsnī vai jebkurā citā augstspiediena traukā.
- Neiegremdējiet akumulatoru šķidrums vai neļaujiet tam nonākt saskarē ar šķidrumiem.
- Neizmantojiet bateriju īssavienojumā.
- Neizmantojiet akumulatoru, kas ir noplūdis, mainījis krāsu, sarūsējis, deformējies, izdala smaku vai ir citādi neparasts.
- Nepieskarieties noplūdušai baterijai.
- Neuzlādējiet akumulatoru ilgāk par norādīto laiku.
- Neizmetiet baterijas, ierīces un to piederumus sadzīves atkritumos vai nesadedziniet. Ja iespējams, pārstrādājiet un sašķirojiet saskaņā ar vietējiem noteikumiem.
- Uzglabājiet bateriju tālu no bērniem, kas jaunāki par 3 gadiem. Norišanas gadījumā nekavējoties sazinieties ar vietējo medicīnisko palīdzību.
- Pārliecinieties, ka baterijas ir pareizi uzstādītas atbilstoši polaritātei (+ un -). Nepārslēdziet bateriju polaritāti.

- Uzglabājiet baterijas vēsā, sausā vietā normālā istabas temperatūrā.
- Izņemiet un nekavējoties pārstrādājiet vai utilizējiet izlietotās baterijas saskaņā ar vietējiem noteikumiem un turiet tās bērniem nepieejamā vietā.
- Izņemiet un nekavējoties pārstrādājiet vai utilizējiet baterijas no iekārtām, kas netiek izmantotas ilgāku laiku, saskaņā ar vietējiem noteikumiem.
- Izmantojiet komplektā iekļautās baterijas darba temperatūrā no -20 līdz +54°C un uzglabājiet tās temperatūrā no -30 līdz +45°C. Šo diapazonu pārsniegšana var izraisīt akumulatora bojājumus, īpašību zudumu, noplūdi vai eksploziju. Iepriekš minētie temperatūras diapazoni var atšķirties atkarībā no akumulatora ražotāja.
- Dp vienmēr pilnībā nostipriniet akumulatora nodaļījumu. Ja bateriju nodaļījums nav droši aizvērts, pārtrauciet produkta lietošanu, izņemiet baterijas un glabājiet tās bērniem nepieejamā vietā.

CITA INFORMĀCIJA

- Pat lietotas baterijas var izraisīt smagas traumas vai nāvi
- Lai saņemtu informāciju par ārstēšanu, zvaniet vietējam toksikoloģijas centram.
- Neizlādējiet ar spēku, neuzlādējiet, neizjauciet, nesildiet virs 158°F un nededziniet. Šāda rīcība var izraisīt traumas, jo var rasties izplūdes, noplūdes vai sprādziens, kā rezultātā var rasties ķīmiski apdegumi.
- Šo ierīci ir droši lietot normālas un pamatoti paredzamas nepareizas lietošanas ekspluatācijas apstākļos. Ja pamanāt jebkādas kļūdu vai aparatūras darbības traucējumu pazīmes, sazinieties ar tedee tehnisko atbalstu, lai saņemtu palīdzību. Šādā gadījumā šī ierīce ir jānodod atpakaļ tedee, lai veiktu nepieciešamos remontdarbus saskaņā ar garantijas nosacījumiem. Jebkādas ierīces aparatūras vai programmatūras izmaiņas vai modifikācijas, kas nav apstiprinātas, ieteiktas vai nodrošinātas no tedee puses, var anulēt jūsu garantiju.
- Šīs ierīces pareizai darbībai nepieciešams strāvas avots un Bluetooth(R) savienojums, un, lai izmantotu dažas tās funkcijas, var būt nepieciešams interneta savienojums. Ražotājs nav atbildīgs par iespējamām piekļuves problēmām telpā, kas rodas interneta piekļuves trūkuma vai barošanas avota atteices vai izsmelšanas dēļ.

- Šī ierīce nav paredzēta lietošanai kā daļa no mājas drošības sistēmas. Ražotājs nedeklarē nekādas ierīces pretlaušanas īpašības vai pretlaušanas aizsardzības apliecinājumus, sertifikātus vai klases. Ražotājs nav atbildīgs par jebkādiem iespējamiem bojājumiem/ievainojumiem, kas radušies zādzības, ielaušanās vai ielaušanās rezultātā, kas radušies ierīces bojājuma, pārvarēšanas vai nesankcionētas kontroles iegūšanas rezultātā.
- Lai varētu izmantot dažas no šīs ierīces funkcijām, var būt nepieciešams iegādāties papildu produktus. Ja rodas šaubas, lūdzu, sazinieties ar Tedee atbalsta dienestu.
- Ne Tedee Sp. z o.o., ne mūsu mazumtirgotāji nav atbildīgi par iepriekš minēto brīdinājumu un drošības norādījumu neievērošanu. Iegādājoties šo ierīci, pircējs atzīst visus riskus, kas saistīti ar tēdee aprīkojuma lietošanu. Ja nepiekrītat šiem noteikumiem, pirms lietošanas atdodiet ierīci atpakaļ ražotājam vai izplatītājam.

UZTURĒŠANA

- Pirms tīrīšanas izņemiet akumulatoru no ierīces. Nevienai ierīces daļai nelietojiet nekādus smērvielas, tīrīšanas līdzekļus, pulēšanas līdzekļus vai gaisa atsvaidzinātājus. Noslaukiet to tikai ar sausu drānu.
- Ja konstatēts, ka ierīces korpuss ir nolietojies tiktāl, ka ir apdraudēta korpusa integritāte, sazinieties ar tēdee tehnisko atbalstu.

TEHNISKĀ INFORMĀCIJA

Tehniskās specifikācijas

Modelis: TDSV1.0

Barošanas avots: Enerģijas avots: 1 baterija CR2032

Bluetooth® komunikācija: BLE 5.2 2.4GHz 2.4GHz

Izmēri: 30 x 64 x 14 mm (sensors), 17 x 64 x 7 mm (magnēts).

Darba temperatūra: no 5° C līdz 50° C

Frekvenču diapazons: no 2,4 GHz līdz 2,483 GHz

Maksimālā izejas jauda: 8 dBm

Darbības mitrums: maksimāli 95%

Ieteicamā uzstādīšana: maks. 2 metri no tēdee bloķēšanas maks. 2 metri no tēdee tilta

Akumulatora tehniskie parametri

Ražotāja nosaukums un adrese: kā norādīts uz akumulatora iepakojuma.

Kategorija un ID: kā norādīts uz akumulatora korpusa.

Ražošanas vieta: kā norādīts uz akumulatora iepakojuma.

Svars: ~ 2,90 g

Jauda: ~ 2230mAh

Ķīmiskais sastāvs: litijs (100%)

Bīstamās vielas, izņemot dzīvsudrabu, kadmiju vai svīnu: NAV PIEMĒROJAMS.

Ugunsdzēsāmais līdzeklis: nātrija hlorīds (NaCl), ternārais eutektiskais hlorīds (TEC)

Akumulatorā esošās kritiskās izejvielas virs 0,1 %: N/A

JURIDISKAS / VIDES AIZSARDZĪBAS PIEZĪMES

ES atbilstības deklarācija

Tedee Sp. z o.o. ar šo deklarē, ka Tedee durvju sensora TDSV1.0 radio ierīce atbilst Direktīvai 2014/53/ES. Pilns ES atbilstības deklarācijas teksts ir pieejams šādā interneta adresē: www.tedee.com/compliance.

WEEE / RoHS

Lai novērstu iespējamo negatīvo ietekmi uz vidi, iepazīstieties ar vietējiem likumiem un noteikumiem par elektronisko ierīču un bateriju pareizu utilizāciju jūsu valstī. Bateriju iznīcināšana - ja jūsu tēdee ierīcē ir baterijas, neizmetiet tās kopā ar parastajiem sadzīves atkritumiem. Nododiet tās atbilstošā pārstrādes rūpnīcā vai savākšanas punktā. Tedee ierīcēs izmantotās baterijas nesatur dzīvsudrabu, kadmiju

vai svinu, kas pārsniedz 2006/66/EK direktīvā noteikto līmeni. Elektronisko ierīču iznīcināšana - neizmetiet savu tēde ierīci kopā ar parastajiem sadzīves atkritumiem. Nododiet to atbilstošā pārstrādes rūpnīcā vai savākšanas punktā.

Bluetooth®

Bluetooth® vārdiskā zīme un logotipi pieder Bluetooth SIG, Inc., un Tedee Sp. z o.o. Šīs zīmes izmanto saskaņā ar licenci. Citas preču zīmes un tirdzniecības nosaukumi pieder to attiecīgajiem īpašniekiem.

Google, Android un Google Play ir Google LLC preču zīmes.

Apple un App Store ir Apple Inc. preču zīmes. iOS ir Cisco preču zīme vai reģistrēta preču zīme ASV un citās valstīs, un tā tiek izmantota saskaņā ar licenci.

GARANTĪJA

Tedee ierobežota aparatūras garantija

Tedee Sp. z o. o. garantē, ka Tedee ierīcēs nav aparatūras defektu materiālu un izgatavošanas defektu uz laiku, kas nav mazāks par 2 gadiem no pirmās mazumtirdzniecības iegādes dienas. Tedee Sp. z o. o. neuzņemas atbildību par ierīču nepareizu lietošanu (tostarp par uzlādes metodēm, kas nav aprakstītas šajā rokasgrāmatā), jo īpaši, ja lietotājs ir veicis jebkādas izmaiņas vai modifikācijas ierīces aparatūrā vai programmatūrā, ko nav apstiprinājusi, ieteikusi vai nodrošinājusi Tedee. Pilnīga garantijas informācija ir pieejama šajā saitē: www.tedee.com/warranty, ražotāja galvenajā mītnes adresē, kas norādīta uz iepakojuma, un vietnē support@tedee.com.

tedee® ir Tedee Sp. z o. o. reģistrēta preču zīme. autortiesības (C) 2022. Visas tiesības aizsargātas.

CS: BEZPEČNOSTNÍ INFORMACE

VAROVÁNÍ: Přečtěte si všechny níže uvedené bezpečnostní pokyny a upozornění. Jejich nedodržení může mít za následek úraz elektrickým proudem, požár a/nebo vážné zranění. Tyto pokyny uschovejte pro budoucí použití. Nejnovější, nejaktuálnější verzi těchto pokynů naleznete na adrese: <https://tedee.com/get-support/>.

BEZPEČNOSTNÍ POKYNY / VAROVÁNÍ PRO BATERIE

Bateriemi napájená sada dveřního senzoru Tedee obsahuje jednu nenabíjecí a uživatelsky neservisovatelnou baterii CR2032.

VAROVÁNÍ

- **NEBEZPEČÍ POŽÁRU:** Tento výrobek obsahuje knoflíkovou nebo mincovní baterii.
- Při požití může dojít ke SMRTI nebo vážnému zranění.
- Spolknutá knoflíková nebo mincová baterie může způsobit vnitřní chemické popáleniny již za 2 hodiny.
- Nové a použité baterie uchovávejte mimo dosah dětí.
- Při podezření na spolknutí nebo zasunutí baterie do kterékoli části těla okamžitě vyhledejte lékařskou pomoc.

DOPORUČENÉ BATERIE

K napájení dveřního senzoru Tedee je třeba použít 1 baterii CR2032. Povolujeme pouze používat 3V.

VAROVÁNÍ: Při použití baterií s provozním napětím vyšším než 3,3 V hrozí trvalé poškození zařízení a ztráta záruky!

NEPŘIPOUŠTĚJTE

- Nenabíjejte nenabíjecí baterie. Nenabíjecí baterie se nesmí nabíjet.
- Nemíchejte staré a nové baterie, baterie různých značek nebo typů, například alkalické, uhlíko-zinkové nebo dobíjecí baterie.
- Baterii nerozebírejte, nepropichujte, neupravujte, neupustěte, neházejte ani nezpůsobujte jiné zbytečné nárazy.
- Nenechávejte ani neskladujte baterii na horkých místech, například v blízkosti trouby, sporáku, přímého slunečního světla nebo jiného zdroje tepla.
- Nevkládejte baterii do mikrovlnné trouby ani do jiných vysokotlakých nádob.
- Neponořujte baterii do kapaliny ani nedovolte, aby přišla do styku s kapalinami.
- Baterii nezkratujte.
- Nepoužívejte baterii, která se zdá být netěsná, má změněnou barvu, je rezavá, deformovaná; vydává zápach; nebo je jinak neobvyklá.
- Nedotýkejte se vytékající baterie.
- Nepokračujte v nabíjení baterie déle, než je stanovená doba.
- Baterie, zařízení a jejich příslušenství NEVYHAZUJTE do domácího odpadu ani je nespalujte. Pokud je to možné, recyklujte a tříděte v souladu s místními předpisy.
- Baterii uchovávejte mimo dosah dětí mladších 3 let. V případě požití okamžitě kontaktujte místní lékařskou pomoc.
- Dbejte na správnou instalaci baterií podle polarit (+ a -). Nepoužívejte opačnou polaritu baterií.
- Baterie skladujte na chladném a suchém místě při běžné pokojové teplotě.
- Použité baterie vyjměte a ihned recyklujte nebo zlikvidujte v souladu s místními předpisy a uchovávejte je mimo dosah dětí.
- Baterie ze zařízení, které se delší dobu nepoužívá, vyjměte a okamžitě recyklujte nebo zlikvidujte v souladu s místními předpisy.
- Dodané baterie používejte při provozní teplotě -20 až +54 °C a skladujte je při teplotě -30 až +45 °C. Překročení těchto rozsahů může vést k poškození, ztrátě vlastností, vytečení nebo výbuchu baterie. Výše uvedené teplotní rozsahy se mohou lišit v závislosti na výrobci baterie.
- Dp vždy zcela zajistěte prostor pro baterii. Pokud se přihrádka na baterie bezpečně neuzavře, přestaňte výrobek používat, vyjměte baterie a chraňte je

před dětmi.

DALŠÍ INFORMACE

- I použité baterie mohou způsobit vážné zranění nebo smrt
- Zavolejte místní toxikologické středisko, kde vám poskytnou informace o léčbě
- Baterie násilně nevybíjejte, nenabíjejte, nerozebírejte, nezahřívejte nad 158 °C ani nespalujte. Takové jednání může vést ke zranění v důsledku uvolnění, úniku nebo výbuchu, který může mít za následek chemické popáleniny.
- Tento přístroj je bezpečný při běžném a rozumně předvídatelném nesprávném použití podle provozního řádu. Pokud si všimnete jakýchkoli příznaků chyb nebo nesprávné funkce hardwaru, obraťte se na technickou podporu společnosti tedee a požádejte o pomoc. V takovém případě je třeba toto zařízení vrátit společnosti tedee k nezbytné opravě podle záručních podmínek. Jakékoli změny nebo úpravy hardwaru nebo softwaru zařízení, které nejsou schváleny, doporučeny nebo poskytnuty společností tedee, mohou vést ke ztrátě záruky.
- Toto zařízení vyžaduje pro správnou funkci zdroj napájení a připojení Bluetooth(R) a pro používání některých funkcí může vyžadovat připojení k internetu. Výrobce neodpovídá za případné problémy s přístupem do místnosti v důsledku nedostatečného přístupu k internetu nebo selhání či vyčerpání zdroje napájení.
- Toto zařízení není určeno k použití jako součást domácího bezpečnostního systému. Výrobce nedeklaruje žádné vlastnosti proti vloupání ani atesty, certifikáty nebo třídy ochrany proti vloupání pro toto zařízení. Výrobce nenes odpovědnost za případné škody/úrazy vzniklé v důsledku krádeže, vloupání nebo vniknutí v důsledku poškození, překonání nebo neoprávněného získání kontroly nad zařízením.
- Toto zařízení může vyžadovat zakoupení dalších produktů, aby bylo možné využívat některé jeho funkce. V případě pochybností se obraťte na podporu společnosti tedee.
- Společnost Tedee Sp. z o.o. ani naši prodejci nenesou odpovědnost za nedodržení výše uvedených varování a bezpečnostních pokynů. Zakoupením tohoto zařízení bere kupující na vědomí veškerá rizika spojená s používáním zařízení tedee.

Pokud s těmito podmínkami nesouhlasíte, vraťte zařízení před použitím výrobci nebo distributorovi.

ÚDRŽBA

- Před čištěním vyjměte ze zařízení baterii. Na žádnou část zařízení nepoužívejte maziva, čisticí prostředky, leštidla ani osvěžovače vzduchu. Otírejte jej pouze suchým hadříkem.
- Pokud zjistíte, že je kryt zařízení opotřebovaný do té míry, že je narušena jeho celistvost, kontaktujte technickou podporu tedee.

TECHNICKÉ INFORMACE

Technické údaje

Model: TDSV1.0

Napájení: Zdroj: 1 baterie CR2032

Komunikace Bluetooth®: BLE 5.2 2,4 GHz

Rozměry: Rozměry: 30 x 64 x 14 mm (senzor), 17 x 64 x 7 mm (magnet)

Provozní teplota: od 5° C do 50° C

Frekvenční rozsah: od 2,4 GHz do 2,483 GHz

Maximální výstupní výkon: 8 dBm

Provozní vlhkost: maximálně 95%

Doporučené nastavení: max. 2 metry od zámků tedee max. 2 metry od mostů tedee

Technické specifikace baterie

Název a adresa výrobce: jak je uvedeno na obalu baterie.

Kategorie a ID: jak je uvedeno na obalu baterie.

Místo výroby: jak je uvedeno na obalu baterie.

Hmotnost: ~ 2,90 g

Kapacita: ~ 2230 mAh

Chemické složení: lithium (100 %)

Nebezpečné látky jiné než rtuť, kadmium nebo olovo: NEUPLATŇUJE SE.

Hasivo: chlorid sodný (NaCl), chlorid ternární eutektický (TEC)

Kritické suroviny přítomné v baterii nad 0,1 %: NEUPLATŇUJE SE

PRÁVNÍ / ENVIRONMENTÁLNÍ POZNÁMKY

EU prohlášení o shodě

Společnost Tedee Sp. z o.o. tímto prohlašuje, že rádiové zařízení Tedee Door Sensor TDSV1.0 je v souladu se směrnicí 2014/53/EU. Úplné znění EU prohlášení o shodě je k dispozici na následující internetové adrese: www.tedee.com/compliance.

WEEE / RoHS

Abyste předešli případným negativním dopadům na životní prostředí, prostudujte si místní zákony a předpisy pro správnou likvidaci elektronických zařízení a baterií ve vaší zemi. Likvidace baterií - pokud vaše zařízení tedee obsahuje baterie, nelikvidujte je společně s běžným domovním odpadem. Odevzdejte je do příslušného recyklačního zařízení nebo na sběrné místo. Baterie používané v zařízeních tedee neobsahují rtuť, kadmium ani olovo v množství vyšším, než je uvedeno ve směrnici 2006/66/ES. Likvidace elektroniky - zařízení tedee nelikvidujte společně s běžným domovním odpadem. Odevzdejte je do příslušného recyklačního zařízení nebo na sběrné místo.

Bluetooth®

Slovní značka a loga Bluetooth® jsou vlastnictvím společnosti Bluetooth SIG, Inc. a jakékoli použití těchto značek společností Tedee Sp. z o.o. je podmíněno licencí. Ostatní ochranné známky a obchodní názvy patří příslušným vlastníkům.

Google, Android a Google Play jsou ochranné známky společnosti Google LLC.

Apple a App Store jsou ochranné známky společnosti Apple Inc.

iOS je ochranná známka alebo registrovaná ochranná známka spoločnosti Cisco v USA a ďalších zemích a je používaná na základe licencie.

ZÁRUKA

Omezená záruka na hardware Tedee

Spoločnosť Tedee Sp. z o. o. zaručuje, že zariadení Tedee jsou bez hardwarových vad materiálu a zpracování po dobu nejméně 2 let od data prvního maloobchodního nákupu. Společnost Tedee Sp. z o. o. nenesie zodpovednosť za nesprávne použitie zariadení (včetně jiných způsobů nabíjení, než jsou popsány v tomto návodu), zejména pokud uživatel provedl jakékoli změny nebo úpravy hardwaru nebo softwaru zariadení, které nebyly schváleny, doporučeny nebo poskytnuty společností Tedee. Úplné informácie o záruce jsou k dispozici na nasledujúcim odkazu: www.tedee.com/warranty, na adrese sídla výrobcu uvedené na obalu a na adrese support@tedee.com.

tedee® je registrovaná ochranná známka spoločnosti Tedee Sp. z o. o. Copyright (C) 2022. Všetchna práva vyhradená.

SK: BEZPEČNOSTNÉ INFORMÁCIE

VAROVANIE: Prečítajte si všetky bezpečnostné pokyny a upozornenia uvedené nižšie. Ich nedodržanie môže mať za následok úraz elektrickým prúdom, požiar a/alebo vážne zranenie. Tieto pokyny si uschovajte pre budúce použitie. Ak chcete získať prístup k najnovšej, najaktuálnejšej verzii týchto pokynov, navštívte stránku: <https://tedee.com/get-support/>.

BEZPEČNOSTNÉ POKYNY / VAROVANIA TÝKAJÚCE SA BATÉRIE

Súprava snímača dverí Tedee napájaná batériami obsahuje jednu nenabíjateľnú a užívateľsky neservisovateľnú batériu CR2032.

VAROVANIE

- **NEBEZPEČENSTVO POŽIARENIA:** Tento výrobok obsahuje gombíkovú alebo mincovú batériu.
- V prípade prehltnutia môže dôjsť k SMRTI alebo vážnemu zraneniu.
- Prehltnutá gombíková alebo mincová batéria môže spôsobiť vnútorné chemické popáleniny už za 2 hodiny.
- Nové a použité batérie uchovávajte mimo dosahu detí.
- Pri podozrení na prehltnutie batérie alebo jej vloženie do ktorejkoľvek časti tela okamžite vyhľadajte lekársku pomoc.

ODPORÚČANÉ BATÉRIE

Na napájanie snímača dverí Tedee je potrebné použiť 1 batériu CR2032. Povoľujeme iba používať 3V.

UPOZORNENIE: Riziko trvalého poškodenia zariadenia a straty záruky v prípade inštalácie batérií s prevádzkovým napätím vyšším ako 3,3 V!

NEPOKÚŠAJTE SA

- Nenabíjajte nenabíjateľné batérie. Nenabíjateľné batérie sa nesmú nabíjať.
- Nemiešajte staré a nové batérie, rôzne značky alebo typy batérií, ako sú alkalické, uhlíkovo-zinkové alebo nabíjateľné batérie.
- Batériu nerozoberajte, neprepichujte, neupravujte, neupúšťajte, nehádzte ani nespôsobujte iné zbytočné nárazy.
- Nenechávajte ani neskladujte batériu na horúcich miestach, napríklad v blízkosti rúry, sporáka, priameho slnečného žiarenia alebo iného zdroja tepla.
- Batériu nevkładajte do mikrovlnnej rúry ani do žiadnej inej vysokotlakovej nádoby.
- Batériu neponárajte do kvapalín ani nedovoľte, aby prišla do kontaktu s kvapalinami.
- Batériu neskratujte.

- Nepoužívajte batériu, ktorá sa zdá byť netesná, má zmenenú farbu, je hrdzavá, zdeformovaná; vydáva zápach; alebo je inak neobvyklá.
- Nedotýkajte sa vytekajúcej batérie.
- Nepokračujte v nabíjaní batérie dlhšie, ako je stanovený čas.
- Batérie, zariadenia a ich príslušenstvo NEVYHADZUJTE do domáceho odpadu ani nespáľujte. Ak je to možné, recyklujte a separujte v súlade s miestnymi predpismi
- Batériu uchovávajte mimo dosahu detí mladších ako 3 roky. V prípade prehltnutia okamžite kontaktujte miestnu lekársku pomoc.
- Dbajte na to, aby boli batérie nainštalované správne podľa polarít (+ a -). Neobracajte polaritu batérií.
- Batérie skladujte na chladnom a suchom mieste pri bežnej izbovej teplote.
- Použitie batérie vyberte a okamžite recyklujte alebo zlikvidujte v súlade s miestnymi predpismi a uchovávajte ich mimo dosahu detí.
- Batérie zo zariadení, ktoré sa dlhší čas nepoužívajú, vyberte a okamžite recyklujte alebo zlikvidujte v súlade s miestnymi predpismi.
- Dodané batérie používajte pri prevádzkovej teplote -20 až +54 °C a skladujte ich pri teplote -30 až +45 °C. Prekročenie týchto rozsahov môže mať za následok poškodenie, stratu vlastností, vytečenie alebo výbuch batérie. Uvedené teplotné rozsahy sa môžu líšiť v závislosti od výrobcu batérie.
- Dp vždy úplne zaistite priestor pre batériu. Ak sa priehradka na batérie bezpečne nezatvorí, prestaňte výrobok používať, vyberte batérie a uchovávajte ich mimo dosahu detí.

ĎALŠIE INFORMÁCIE

- Aj použité batérie môžu spôsobiť vážne poranenie alebo smrť
- Informácie o liečbe získate na miestnom toxikologickom stredisku
- Batérie násilne nevybíjajte, nenabíjajte, nerozoberajte, nezahrievajte nad 158 °C ani nespáľujte. Takýto postup môže mať za následok poranenie v dôsledku uvoľnenia, úniku alebo výbuchu s následkom chemických popálení
- Tento prístroj je bezpečný pri bežnom a rozumne predvídateľnom nesprávnom používaní podľa prevádzkového poriadku. Ak spozorujete akékoľvek príznaky chýb alebo poruchy hardvéru, obráťte sa na technickú podporu tedee a

požiadajte o pomoc. V takom prípade by ste mali toto zariadenie vrátiť spoločnosti tedee na nevyhnutnú opravu v rámci záručných podmienok. Akékoľvek zmeny alebo úpravy hardvéru alebo softvéru zariadenia, ktoré nie sú schválené, odporúčané alebo poskytnuté spoločnosťou tedee, môžu viesť k strate záruky.

- Toto zariadenie si na správnu prevádzku vyžaduje zdroj napájania a pripojenie Bluetooth(R) a na používanie niektorých funkcií môže vyžadovať pripojenie k internetu. Výrobca nezodpovedá za prípadné problémy s prístupom do miestnosti vyplývajúce z nedostatočného prístupu na internet alebo zlyhania či vyčerpania zdroja napájania.
- Toto zariadenie nie je určené na používanie ako súčasť domáceho bezpečnostného systému. Výrobca pre toto zariadenie nedeclaruje žiadne vlastnosti proti vlámaniu ani atesty, certifikáty alebo triedy ochrany proti vlámaniu. Výrobca nenesie zodpovednosť za prípadné škody/úrazy vzniknuté v dôsledku krádeže, vlámania alebo vniknutia v dôsledku poškodenia, prekonania alebo neoprávneného získania kontroly nad zariadením.
- Toto zariadenie si môže vyžadovať zakúpenie ďalších produktov, aby bolo možné využívať niektoré jeho funkcie. V prípade pochybností sa obráťte na podporu spoločnosti tedee.
- Spoločnosť Tedee Sp. z o.o. ani naši predajcovia nenesú zodpovednosť za nedodržanie vyššie uvedených upozornení a bezpečnostných pokynov. Kúpou tohto zariadenia kupujúci berie na vedomie všetky riziká spojené s používaním zariadenia tedee. Ak s týmito podmienkami nesúhlasíte, zariadenie pred použitím vráťte výrobcovi alebo distribútorovi.

ÚDRŽBA

- Pred čistením vyberte zo zariadenia batériu. Na žiadnu časť zariadenia nepoužívajte žiadne mazadlá, čistiace prostriedky, leštiace prostriedky ani osviežovače vzduchu. Utierajte ho iba suchou handričkou.
- Ak sa zistí, že kryt zariadenia je opotrebovaný do takej miery, že je narušená jeho celistvosť, kontaktujte technickú podporu tedee.

TECHNICKÉ INFORMÁCIE

Technické špecifikácie

Model: TDSV1.0
Napájanie: 1 batéria CR2032
Komunikácia Bluetooth®: BLE 5.2 2,4 GHz
Rozmery: 30 x 64 x 14 mm (senzor), 17 x 64 x 7 mm (magnet)
Prevádzková teplota: od 5° C do 50° C
Frekvenčný rozsah: od 2,4 GHz do 2,483 GHz
maximálny výstupný výkon: 8 dBm
Prevádzková vlhkosť: maximálne 95%
Odporúčané nastavenie: max. 2 metre od zámku tedee max. 2 metre od tedee mosta

Technické špecifikácie batérie

Názov a adresa výrobcu: ako je uvedené na obale batérie
Kategória a ID: ako je uvedené na obale batérie
Miesto výroby: ako je uvedené na obale batérie
Hmotnosť: ~ 2,90 g
Kapacita: ~ 2230 mAh
Chemické zloženie: lítium (100 %)
Nebezpečné látky iné ako ortuť, kadmium alebo olovo: NEUPLATŇUJE SA.
Hasiace činidlo: chlorid sodný (NaCl), ternárny eutektický chlorid (TEC)
Kritické suroviny prítomné v batérii nad 0,1 %: NEUPLATŇUJE SA

PRÁVNE / ENVIRONMENTÁLNE POZNÁMKY

Vyhlasenie o zhode EÚ

Spoločnosť Tedee Sp. z o.o. týmto vyhlasuje, že rádiové zariadenie Tedee Door Sensor TDSV1.0 je v súlade so smernicou 2014/53/EÚ. Úplné znenie EÚ vyhlásenia

o zhode je k dispozícii na tejto internetovej adrese: www.tedee.com/compliance.

WEEE / RoHS

Aby ste predišli možnému negatívnemu vplyvu na životné prostredie, prečítajte si miestne zákony a predpisy týkajúce sa správnej likvidácie elektronických zariadení a batérií vo vašej krajine. Likvidácia batérií - ak vaše zariadenie tedee obsahuje batérie, nelikvidujte ich spolu s bežným domovým odpadom. Odovzdajte ich do príslušného recyklačného zariadenia alebo na zberné miesto. Batérie používané v zariadeniach tedee neobsahujú ortuť, kadmium ani olovo v množstvách vyšších, ako je uvedené v smernici 2006/66/ES. Likvidácia elektroniky - zariadenie tedee nelikvidujte spolu s bežným domovým odpadom. Odovzdajte ho do príslušného recyklačného zariadenia alebo na zberné miesto.

Bluetooth®

Slovná značka a logá Bluetooth® sú vlastníctvom spoločnosti Bluetooth SIG, Inc. a akékoľvek použitie týchto značiek spoločnosťou Tedee Sp. z o.o. je na základe licencie. Ostatné ochranné známky a obchodné názvy patria ich príslušným vlastníkom.

Google, Android a Google Play sú ochranné známky spoločnosti Google LLC.

Apple a App Store sú ochranné známky spoločnosti Apple Inc. iOS je ochranná známka alebo registrovaná ochranná známka spoločnosti Cisco v USA a iných krajinách a používa sa na základe licencie.

ZÁRUKA

Tedee obmedzená záruka na hardvér

Spoločnosť Tedee Sp. z o. o. zaručuje, že zariadenia Tedee sú bez hardvérových chýb materiálu a spracovania po dobu najmenej 2 rokov od dátumu prvého

maloobchodného nákupu. Spoločnosť Tedee Sp. z o. o. nenesie zodpovednosť za nesprávne používanie zariadení (vrátane iných spôsobov nabíjania, ako sú opísané v tomto návode), najmä ak používateľ vykonal akékoľvek zmeny alebo úpravy hardvéru alebo softvéru zariadenia, ktoré neboli schválené, odporúčané alebo poskytnuté spoločnosťou Tedee. Úplné informácie o záruke sú k dispozícii na nasledujúcom odkaze: www.tedee.com/warranty, na adrese sídla výrobcu uvedenej na obale a na support@tedee.com.

tedee® je registrovaná ochranná známka spoločnosti Tedee Sp. z o. o. Copyright (C) 2022. Všetky práva vyhradené.

SL: VARNOSTNE INFORMACIJE

OPOZORILO: Preberite vsa varnostna navodila in opozorila, ki so navedena v nadaljevanju. Če jih ne upoštevate, lahko pride do električnega udara, požara in/ali resnih poškodb. Ta navodila shranite za prihodnjo uporabo. Za dostop do najnovejše, najbolj posodobljene različice teh navodil obiščite: <https://tedee.com/get-support/>.

VARNOSTNA NAVODILA / OPOZORILO ZA BATERIJE

Komplet senzorja vrat Tedee, ki ga napaja baterija, vključuje eno baterijo CR2032, ki je ni mogoče ponovno napolniti in je ni mogoče servisirati.

OPOZORILO

- Nevarnost zaužitja: Ta izdelek vsebuje baterijo v obliki gumba ali kovanca.
- Ob zaužitju lahko pride do SMRTI ali resnih poškodb.
- Pogoltnjena gumbna celica ali kronska baterija lahko povzroči notranje kemične opekline že v 2 urah.
- Nove in uporabljene baterije hranite izven dosega otrok.
- Če sumite, da je baterija pogoltnjena ali vstavljena v katerikoli del telesa, takoj poiščite zdravniško pomoč.

PRIPOROČENE BATERIJE

Za napajanje senzorja vrat Tedee morate uporabiti 1 baterijo CR2032. Dovoljeno je samo uporabo baterije 3 V.

OPOZORILO: Nevarnost trajne poškodbe naprave in izgube garancije, če so nameščene baterije z delovno napetostjo nad 3,3 V!

NE UPORABLJAJTE

- Ne polnite baterij, ki jih ni mogoče ponovno napolniti. Baterij, ki jih ni mogoče ponovno napolniti, ne smete polniti.
- Ne mešajte starih in novih baterij, različnih blagovnih znamk ali vrst baterij, kot so alkalne, ogljikovo-cinkove ali baterije za ponovno polnjenje.
- Ne razstavljajte, ne prebadajte, ne spreminjajte, ne spuščajte, ne mečite in ne povzročajte drugih nepotrebnih udarcev v baterijo.
- Ne puščajte ali shranjujte baterije na vročih mestih, na primer v bližini pečice, štedilnika, neposredne sončne svetlobe ali drugega vira toplote.
- Baterije ne postavljajte v mikrovalovno pečico ali v katero koli drugo posodo z visokim pritiskom.
- Baterije ne potaplajte v tekočine in ne dovolite, da bi prišla v stik s tekočinami.
- Ne izvajajte kratkega stika z baterijo.
- Ne uporabljajte baterije, za katero se zdi, da pušča, je razbarvana, zarjavela, deformirana, oddaja vonj ali je kako drugače neobičajna.
- Ne dotikajte se baterije, ki pušča.
- Ne polnite baterije dlje, kot je določeno.
- Baterij, naprav in dodatne opreme NE odlagajte v gospodinjnske odpadke ali jih sežigajte. Če je mogoče, jih reciklirajte in ločite v skladu z lokalnimi predpisi.
- Baterijo hranite stran od otrok, mlajših od 3 let. V primeru zaužitja se takoj obrnite na lokalno zdravniško pomoč.
- Prepričajte se, da so baterije pravilno nameščene v skladu s polariteto (+ in -). Ne obrnite polarnosti baterij.

- Baterije shranjujte na hladnem in suhem mestu pri običajni sobni temperaturi.
- Odstranite in takoj reciklirajte ali zavrzite uporabljene baterije v skladu z lokalnimi predpisi in jih hranite stran od otrok.
- Baterije iz opreme, ki se dalj časa ne uporablja, odstranite in takoj reciklirajte ali odstranite v skladu z lokalnimi predpisi.
- Priložene baterije uporabljajte pri delovni temperaturi od -20 do +54 °C in jih shranjujte pri temperaturi od -30 do +45 °C. Prekoračitev teh razponov lahko povzroči poškodbe, izgubo lastnosti, puščanje ali eksplozijo baterije. Zgornja temperaturna območja se lahko razlikujejo glede na proizvajalca baterije.
- Dp prostor za baterijo vedno popolnoma zavarujte. Če se prostor za baterije ne zapre varno, prenehajte uporabljati izdelek, odstranite baterije in jih hranite stran od otrok.

DRUGE INFORMACIJE

- Tudi uporabljene baterije lahko povzročijo hude poškodbe ali smrt
- Za informacije o zdravljenju pokličite lokalni center za zastupitve
- Baterij ne smete prisilno prazniti, polniti, razstavljati, segrevati nad 158°F ali sežigati. To lahko povzroči poškodbe zaradi zračenja, uhajanja ali eksplozije, ki ima za posledico kemične opekline
- Ta naprava je varna za uporabo pri običajni in razumno predvidljivi napačni uporabi obratovalni kodeks ravnanja. Če opazite kakršne koli znake napak ali nepravilnega delovanja strojne opreme, se za pomoč obrnite na tehnično podporo tedee. V takem primeru je treba to napravo vrniti družbi tedee za potrebna popravila v skladu z garancijskimi pogoji. Vse spremembe ali modifikacije strojne ali programske opreme naprave, ki jih družba tedee ni odobrila, priporočila ali zagotovila, lahko razveljavijo garancijo.
- Ta naprava za pravilno delovanje potrebuje vir napajanja in povezavo Bluetooth(R), za uporabo nekaterih funkcij pa lahko zahteva internetno povezavo. Proizvajalec ni odgovoren za morebitne težave z dostopom do prostora, ki nastanejo zaradi pomanjkanja internetnega dostopa ali odpovedi ali izčrpanja vira napajanja.
- Ta naprava ni namenjena uporabi kot del domačega varnostnega sistema.

Proizvajalec za napravo ne navaja nobenih protivoltnih lastnosti ali potrdil, certifikatov ali razredov protivoltnosti. Proizvajalec ni odgovoren za morebitno škodo/poškodbo, nastale zaradi kraje, vloma ali vdora, ki so posledica poškodbe, premagovanja ali nepooblaščen pridobitve nadzora nad napravo.

- Za to napravo bo morda treba kupiti dodatne izdelke, da se omogočijo nekatere njene funkcije. Če ste v dvomih, se obrnite na podporo tedee.
- Niti družba Tedee Sp. z o.o. niti naši prodajalci na drobno niso odgovorni za neupoštevanje zgornjih opozoril in varnostnih smernic. Z nakupom te naprave kupec priznava vsa tveganja, povezana z uporabo opreme tedee. Če se s temi pogoji ne strinjate, napravo pred uporabo vrnite proizvajalcu ali distributerju.

VZDRŽEVANJE

- Pred čiščenjem iz naprave odstranite baterijo. Na nobenem delu naprave ne uporabljajte nobenih maziv, čistil, polirnih sredstev ali osvežilcev zraka. Obrišite jo samo s suho krpo.
- Če ugotovite, da je ohišje naprave obrabljeno do te mere, da je ogrožena celovitost ohišja, se obrnite na tehnično podporo tedee.

TEHNIČNE INFORMACIJE

Tehnične specifikacije

Model: TDSV1.0

Napajanje: TDSV: 1 baterija CR2032

Komunikacija Bluetooth®: BLE 5.2 2,4 GHz

Dimenzije: (senzor), 17 x 64 x 7 mm (magnet)

Delovna temperatura: od 5 °C do 50 °C

Frekvenčno območje: od 2,4 GHz do 2,483 GHz

Največja izhodna moč: 8 dBm

Delovna vlažnost: največ 95 %

Priporočena nastavitve: max. 2 metra od zaklepa Tedee max. 2 metra od mostu Tedee

Tehnične specifikacije baterie

Ime in naslov proizvajalca: kot je navedeno na embalaži baterie

Kategorija in ID: kot je navedeno na ohišju baterie

Kraj izdelave: kot je navedeno na embalaži baterie

Teža: ~ 2,90 g

Kapaciteta: ~2230 mAh

Kemična sestava: litij (100 %)

Nevarne snovi razen živega srebra, kadmija ali svınca: NI RELEVANTNO.

Gasilno sredstvo: natrijev klorid (NaCl), ternarni evtektični klorid (TEC)

Kritične surovine, ki so v bateriji prisotne v več kot 0,1 %: N/A

PRAVNE/OKOLJSKE OPOMBE

Izjava EU o skladnosti

Družba Tedee Sp. z o.o. izjavlja, da je radijska naprava Tedee Door Sensor TDSV1.0 skladna z Direktivo 2014/53/EU. Celotno besedilo izjave EU o skladnosti je na voljo na naslednjem spletnem naslovu: www.tedee.com/compliance.

WEEE / RoHS

Da bi preprečili morebitne negativne vplive na okolje, se posvetujte z lokalnimi zakoni in predpisi za pravilno odstranjevanje elektronskih naprav in baterij v vaši državi. Odstranjevanje baterij - če naprava tedee vsebuje baterije, jih ne odlagajte med običajne gospodinske odpadke. Oddajte jih v ustrezen obrat za recikliranje ali na zbirno mesto. Baterije, ki se uporabljajo v napravah tedee, ne vsebujejo živega srebra, kadmija ali svınca nad vrednostmi, določenimi v Direktivi 2006/66/ES. Odstranjevanje elektronike - naprave tedee ne odlagajte med običajne gospodinske odpadke. Oddajte jo v ustrezen obrat za recikliranje ali na zbirno mesto.

Bluetooth®

Besedna znamka in logotipi Bluetooth® so v lasti družbe Bluetooth SIG, Inc. in vsaka uporaba teh znamk s strani družbe Tedee Sp. z o.o. je pod licenco. Druge blagovne znamke in trgovska imena so last njihovih lastnikov. Google, Android in Google Play so blagovne znamke družbe Google LLC.

Apple in App Store sta blagovni znamki družbe Apple Inc. iOS je blagovna znamka ali registrirana blagovna znamka družbe Cisco v ZDA in drugih državah ter se uporablja pod licenco.

GARANCIJA

Omejena garancija za strojno opremo Tedee

Družba Tedee Sp. z o.o. jamči, da naprave Tedee nimajo napak v materialu in izdelavi strojne opreme za obdobje najmanj dveh let od datuma prvega nakupa na drobno. Družba Tedee Sp. z o.o. ne prevzema odgovornosti za napačno uporabo naprav (vključno z načini polnjenja, ki niso opisani v tem priročniku), zlasti če je uporabnik izvedel kakršne koli spremembe ali modifikacije strojne ali programske opreme naprave, ki jih družba Tedee ni odobrila, priporočila ali zagotovila. Popolne informacije o garanciji so na voljo na naslednji povezavi: www.tedee.com/warranty, na naslovu sedeža proizvajalca, ki je naveden na embalaži, in na support@tedee.com.

tedee® je registrirana blagovna znamka družbe Tedee Sp. z o.o. Copyright (C) 2022. Vse pravice pridržane.

GA: FAISNÉIS SÁBHÁILTEACHTA

RABHADH: Léigh na treoirínte agus rabhaidh sábháilteachta go léir thíos. Má theipeann ort iad a leanúint, d'fhéadfadh turraing leictreach, tine, agus/nó gortú tromchúiseach a bheith mar thoradh air. Coinnigh na teoracha seo le haghaidh

úsáide amach anseo. Chun an leagan is déanaí agus is nuashonraithe de na treoracha seo a rochtain, tabhair cuairt ar: <https://tedee.com/get-support/>.

TREOIRLÍNTE SLÁNDÁLA CEALLRA / RABHAIDH

Áirítear i gcoimeádán Teaghaigh Tedee Door Sensor le ceallraí amháin CR2032 nach bhfuil athluchtaithe agus nach bhfuil in-athsholáthair ag an úsáideoir.

RABHADH

- **CONTÚIRT ITHINTE:** Tá ceallra cnaip nó ceallra boinn sa táirge seo.
- **BÁS** nó gortú tromchúiseach d'fhéadfadh tarlú má itear é.
- Is féidir le ceallra cnaip nó ceallra boinn a shlogtar Dó Chéimiceach Imheánach a chur faoi deara i dtréimhse chomh gearr le 2 uair an chloig.
- Coinnigh ceallraí nua agus úsáidte **AMACH Ó RAON PÁISTÍ**.
- Déan teagmháil láithreach le cúram leighis má tá amhras ann go bhfuil ceallra slogtha nó curtha isteach i gcuid ar bith den chorp.

CEALLRAÍ MOLTA

Chun do Teaghaigh Tedee Door Sensor a chumhachtú, ní mór duit ceallra amháin CR2032 a úsáid. Ní cheadaímid ach ceallraí 3V a úsáid.

RABHADH:Riosca damáiste buan don fheiste agus cailliúint bharántais má shuiteáiltear ceallraí le voltas oibriúcháin níos mó ná 3,3V!

NÁ DÉAN

- Ná cuir ceallra nach bhfuil in-athluchtaithe faoi luchtú. Ní cheadaítear ceallraí nach bhfuil in-athluchtaithe a athluchtú.
- Ná measc ceallraí sean agus nua, brandaí éagsúla nó cineálacha éagsúla ceallraí,

mar shampla alcaile, carbóin-sinc, nó ceallraí in-athluchtaithe.

- Ná díphléasc, poll, modhnaigh, titim, caith, nó cuir turraingí gan ghá i bhfeidhm ar an gceallra.
- Ná fág ná stóráil an ceallra in áiteanna te mar atá in aice le hoven, sorn, solas díreach nó aon fhoinsé teasa eile.
- Ná cuir an ceallra isteach i mictreastúir nó i gcoimeádán ardbhrú eile.
- Ná tum an ceallra i leachtanna nó lig dó teacht i dteagmháil le leachtanna.
- Ná cuir an ceallra faoi chiorcad gearr.
- Ná húsáid ceallra a bhfuil cuma ar a bhfuil ag sileadh, dífhoirmithe, meirgeach, nó a bhfuil boladh as nó neamhghnách ar aon bhealach eile.
- Ná tabhair teagmháil do cheallraí atá ag sileadh.
- Ná lean ar aghaidh ag luchtú an cheallra níos faide ná an t-am sonraithe.
- **NÁ CAITH** na ceallraí, na feistí, agus a gcuid gabhálaí i dramhaíl tí nó trí dhóiteán. Má tá sé indéanta, athchúrsáil agus deighilt de réir do rialacháin áitiúla.
- Coinnigh an ceallra amach ó pháistí faoi bhun 3 bliana d'aois. Má itear é, déan teagmháil láithreach le do chabhair leighis áitiúil.
- Cinntigh go bhfuil na ceallraí suiteáilte i gceart de réir polaraíochta (+ agus -). Ná déan polaraíocht na ceallraí a aisiompú.
- Stóráil ceallraí in áit fhionnuar, thirim ag teocht sheomra ghnáthamh.
- Bain agus athchúrsáil nó caith ceallraí úsáidte de réir rialachán áitiúil agus coinneigh amach ó pháistí.
- Bain agus athchúrsáil nó caith ceallraí ó threalamh nach bhfuil in úsáid ar feadh tréimhse fada de réir rialachán áitiúil.
- Úsáid na ceallraí san áireamh ag teocht oibríochta ó -20° C go +54° C, agus stóráil iad ag teocht ó -30° C go +45° C. Má sháraítear na raonta seo, d'fhéadfadh damáiste, caillteanas airíonna, sileadh nó pléascadh an cheallra a bheith ann.
- Cinntigh go bhfuil urrann na ceallraí go hiomlán slán i gcónaí. Má theipeann ar urrann na ceallraí dúnadh go slán, stop ag baint úsáide as an táirge, bain na ceallraí, agus coinneigh amach ó pháistí.

EOLAS EILE

- D'fhéadfadh fiú ceallraí úsáidte gortú tromchúiseach nó bás a chur faoi deara.
- Glaoigh ar ionad rialaithe nimhe áitiúil chun eolas cóireála a fháil.
- Ná déan urscaoileadh foréigneach, athluchtú, díphléascadh, téamh os cionn 70°C (158°F) nó ceallraí a dhó. D'fhéadfadh sé seo díobháil a dhéanamh mar thoradh ar aeráil, síleadh nó pléascadh le ceimiceáin.
- Tá an fheiste seo sábháilte le húsáid faoi ghnáthúsáid agus mí-úsáid réasúnach intuartha. Má thugann tú faoi deara aon chomharthaí earráidí nó mífheidhm crua-earraí, déan teagmháil le tacaíocht theicniúil Tedee.
- Féadfaidh athruithe nó modhnuithe ar chrua-earraí nó bogearraí an fheiste a dhíbharrántú mura bhfuil siad faofa ag Tedee.
- Éilíonn an fheiste seo foinse cumhachta agus nasc Bluetooth chun feidhmiú ceart a chinntiú.

CÀRAID

- Thoir air falbh am bataraidh bhon inneal mus glan thu e. Na cleachd lubricants, àidseantan-glanaidh, polish no fresheners adhair air pàirt sam bith den inneal. Glan e le clò tioram a-mhàin.
- Ma lorgar gu bheil còmhach an inneil air a chaitheamh gu ìre far a bheil ionracas a' chòmhaich air a chur ann an cunnart, cuir fios gu taic theicnigeach Tedee.

FIOSRACHADH TEICNICEACH

Sònrachaidhean Teicnigeach

Modail: TDSV1.0
 Solar cumhachd: 1 bataraidh CR2032
 Conaltradh Bluetooth®: BLE 5.2 2.4GHz
 Meudan: 30 x 64 x 14 mm (an sensor), 17 x 64 x 7 mm (am magnet)
 Teòthachd obrachaidh: bho 5° C gu 50° C
 Raon tricead: bho 2.4GHz gu 2.483GHz
 Cumhachd as àirde: 8dBm
 Taiseachd obrachaidh: as àirde 95%

Rèiteachadh a thathar a' moladh: max. 2 mheatair bho ghlas Tedee, max. 2 mheatair bho dhrochaid Tedee

Sònrachaidhean Teicnigeach Bataraidh

Ainm agus seòladh an neach-dèanamh: mar a chithear air a' phacaid bataraidh
 Roinn-seòrsa agus ID: mar a tha air còmhach a' bhataraidh
 Àite saothrachaidh: mar a chithear air a' phacaid bataraidh
 Cuideam: ~ 2.90g
 Comas: ~2230mAh
 Composition ceimigeach: lithium (100%)
 Stuthan cunnartach eile seach airgead-beò, cadmium no luaidhe: N/A
 Àidseant-smàlaidh teine: sodium chloride (NaCl), Chloride Ternary Eutectic (TEC)
 Stuthan amh èiginneach an làthair sa bhataraidh thairis air 0.1%: N/A

NOTAICHEAN LAGHAIL / ÀRAINNEACHD

Aithris Co-fhreagarrachd an EU

Tha Tedee Sp. z o.o. ag ainmeachadh an seo gu bheil an inneal rèidio Tedee Door Sensor TDSV1.0 a rèir Stiùireadh 2014/53/EU. Tha an teacsa iomlan den Aithris Co-fhreagarrachd an EU ri fhaighinn aig an seòladh eadar-lìn a leanas: www.tedee.com/compliance.

WEEE / RoHS

Gus buaidh àicheil sam bith air an àrainneachd a sheachnadh, bruidhinn ri laghan is riaghailtean ionadail agad airson faighinn cuidhteas ceart innealan dealanach agus bataraidhean anns an dùthaich agad.
 Faighinn cuidhteas bataraidhean: Ma tha bataraidhean aig an inneal Tedee agad, na faigh cuidhteas iad le sgudal dachaigh cunbhalach. Cuir gu goireas ath-chuairteachaidh freagarrach no àite cruinneachaidh iad. Chan eil airgead-beò, cadmium no luaidhe an làthair ann am bataraidhean a thathas a' cleachdadh

ann an innealan Tedee nas àirde na na h-ìrean a tha ainmichte ann an Stiùireadh 2006/66/EC.

Faighinn cuidhteas dealanach: Na faigh cuidhteas an inneal Tedee agad le sgudal dachaigh cunbhalach. Cuir gu goireas ath-chuairteachaidh freagarrach no àite cruinneachaidh e.

Bluetooth®

Tha am facal Bluetooth® agus na suaicheantasan fo shealbh Bluetooth SIG, Inc., agus tha cleachdadh sam bith den t-suaicheantas seo le Tedee Sp. z o.o. fon cheadachas. Tha suaicheantasan eile agus ainmean malairt nan sealbh aca fhèin.

Google, Android agus Google Play nan suaicheantasan Google LLC.

Apple agus App Store nan suaicheantasan Apple Inc. iOS na suaicheantas no suaicheantas clàraichte Cisco anns na SA agus dùthchannan eile, air a chleachdadh fo cheadachas.

BARÁNTA

Baránta crua-earraí teoranta Tedee

Geallann Tedee Sp. z o.o. go bhfuil feistí Tedee saor ó lochtanna crua-earraí i n-ábhair agus i gceardaíocht ar feadh tréimhse nach lú ná 2 bhliain ó dháta an chéad cheannacháin mhiondíola.

Ní ghlacann Tedee Sp. z o.o. freagracht as mí-úsáid feistí (lena n-áirítear modhanna luchtaithe nach bhfuil curtha síos orthu sa lámhleabhar seo), go háirithe má rinne an t-úsáideoir aon athruithe nó modhnuithe ar chrua-earraí nó bogearraí an ghléis nach bhfuil ceadaithe, molta, nó curtha ar fáil ag Tedee.

Tá faisnéis iomlán faoin mbaránta ar fáil ag an nasc seo a leanas: www.tedee.com/warranty, ag seoladh cheanncheathrú an mhonaróra atá léirithe ar an bpacáistiú, agus ag support@tedee.com

tedee® is trádmharc cláraithe de chuid Tedee Sp. z o.o. Copyright (C) 2022. Gach ceart ar cosaint.

MT: INFORMAZZJONI DWAR IS-SIGURTÀ

TWISSIJA: Aqra l-linji gwida kollha tas-sigurtà u t-twissijiet ipprovduti hawn taht. In-nuqqas li tosservahom jista' jirrizulta f'xokk elettriku, nar, u/jew korrimment serju. Żomm dawn l-istruzzjonijiet għal użu fil-futur. Biex taççessa l-aħħar verżjoni aġġornata ta' dawn l-istruzzjonijiet, żur: <https://tedee.com/get-support/>.

LINJI GWIDA TAS-SIGURTÀ TAL-BATTERIJA / TWISSIJET

Is-sett Tedee Door Sensor li jahdem bil-batteriji jinkludi batterija waħda CR2032 li ma tistax tiġi rikarikata jew servuta mill-utent.

TWISSIJA

-
- PERIKLU TA' INGESTJONI: Dan il-prodott fih batterija ċatta jew batterija tal-munita.
- MEWT jew korrimment serju jistgħu jseħhu jekk tiġi ingoġgata.
- Batterija ċatta jew tal-munita li tiġi ingoġgata tista' tikkawża Ħruq Kimiku Intern fi żmien 2 sigħat biss.
- Żomm batteriji ġodda u użati 'IL BOGHOD MIT-TFAL.
- Fittex attenzjoni medika immedjata jekk batterija tiġi ssuspettata li għet ingoġgata jew inserita f'xi parti tal-ġisem.

BATTERIJIJET RAKKOMANDATI

Biex tithaddem il-Tedee Door Sensor tiegħek, trid tuża batterija waħda CR2032. Aħna nippermettu biss l-użu ta' batterija 3V.

TWISSIJA:Riskju ta' ħsara permanenti lill-apparat u telf tal-garanzija jekk jiġu installati batteriji b'vultaġġ operattiv li jaqbeż it-3.3V!

MA TAGHMILX

- La tikkarga batterija li mhix rikarrikabbli. Batteriji li mhumiex rikarrikabbli ma jistgħux jiġu rikarikati.
- La thallat batteriji qodma u godda, marki differenti jew tipi ta' batteriji, bħal alkalina, karbonju-zingu, jew batteriji rikarrikabbli.
- La tiddiżassembla, toqros, timmodifika, thalliha taqa', tarmiha, jew tagħmel xokkijiet żejda fuq il-batterija.
- La thalli jew taħzen il-batterija f'postijiet sħan bħal hdejn forn, stufi, dawl tax-xemx dirett jew sors ieħor ta' sħana.
- La tpoġġi l-batterija f'forn tal-mikroonde, jew f'xi kontenitur ieħor bi pressjoni għolja.
- La tghaddas il-batterija f'likwidi jew tippermetti li tiġi f'kuntatt mal-likwidi.
- La tagħmel ċirkwit qasir lill-batterija.
- La tuża batterija li tidher li qed tnixxi, miżbugħa, sadidjata, deformata, toħroġ riħa, jew hija anormali b'xi mod ieħor.
- La tmiss batterija li qed tnixxi.
- La tkompli tikkarga l-batterija għal aktar mill-ħin speċifikat.
- LA TIDDIXPONI mill-batteriji, apparati u l-aċċessorji tagħhom fil-miżbla domestika jew f'incineratur. Jekk possibbli, irreċikla u ssodisfa r-regolamenti lokali tiegħek.
- Żomm il-batterija 'il bogħod mit-tfal taħt it-3 snin. Jekk tiġi ingoġġata, ikkuntattja immedjatament għajnuna medika lokali.
- Kun żgur li l-batteriji jiġu installati kif suppost skont il-polarità (+ u -). La tagħmel polarità tal-batterija invertita.
- Aħzen batteriji f'post frisk, niexef fit-temperatura normali tal-kamra.
- Neħhi u irreċikla jew iddixponi immedjatament mill-batteriji użati skont ir-regolamenti lokali u żommhom 'il bogħod mit-tfal.
- Neħhi u irreċikla jew iddixponi mill-batteriji minn tagħmir li mhux użat għal perjodu estiż skont ir-regolamenti lokali.
- Uża l-batteriji inklużi f'temperatura operattiva minn -20°C sa +54°C, u aħzenhom f'temperatura minn -30°C sa +45°C. Li jaqbeż dawn il-medda jista' jirriżulta f'ħsara, telf ta' proprjetajiet, tnixxija, jew splużjoni tal-batterija.

- Kun żgur li l-kompartiment tal-batterija huwa kompletament sigurat. Jekk il-kompartiment tal-batterija ma jingħalaqx b'mod sigur, waqqaf l-użu tal-prodott, neħhi l-batteriji, u żommhom 'il bogħod mit-tfal.

INFORMAZZJONI OĦRA

- Anke batteriji użati jistgħu jikkawżaw korrimment serju jew mewt.
- Ċempel ċentru lokali tal-kontroll tal-velenu għal informazzjoni dwar il-kura.
- La thalli l-batterija tiġi skarikata bil-forza, rikarrikata, diżassemblata, saħħanha 'l fuq minn 70°C (158°F) jew tarmiha. Dan jista' jirriżulta f'korrimenti minħabba tnixxija jew splużjoni li tirriżulta f'ħruq kimiku.
- Dan l-apparat huwa sigur għall-użu taħt użu normali u prevedibbli b'mod raġonevoli. Jekk tinnota xi sinjali ta' żbalji jew ħsara fil-hardware, ikkuntattja l-appoġġ tekniku ta' Tedee.
- Kwalunkwe bidliet jew modifiki fl-hardware jew is-software tal-apparat li ma humiex approvati, irrakkomandati, jew ipprovduti minn Tedee jistgħu jannullaw il-garanzija tiegħek.
- Dan l-apparat jeħtieġ sors ta' enerġija u konnessjoni Bluetooth(R) għall-operat xieraq u jista' jeħtieġ konnessjoni bl-Internet biex jintużaw xi karatteristiċi tiegħu.

MANUTENZJONI

- Neħhi l-batterija mill-apparat qabel tnaddaf. Tużax lubrikanti, aġenti tat-tindif, polish, jew fresheners tal-arja fuq xi parti mill-apparat. Imsaħha biss b'drapp niexef.
- Jekk il-kisi tal-apparat jidher li jkun mitluq b'tali mod li l-integrità tal-kisi tkun kompromessa, ikkuntattja l-appoġġ tekniku ta' Tedee.

INFORMAZZJONI TEKNIKA

Speċifikazzjonijiet Tekniċi

Mudell: TDSV1.0

Provvista tal-enerġija: 1 batterija CR2032
Komunikazzjoni Bluetooth®: BLE 5.2 2.4GHz
Dimensjonijiet: 30 x 64 x 14 mm (is-senser), 17 x 64 x 7 mm (il-manjet)
Temperatura tal-operazzjoni: minn 5° C sa 50° C
Firxa ta' frekwenza: minn 2.4GHz sa 2.483GHz
Qawwa massima tal-hruġ: 8dBm
Umdità tal-operazzjoni: massimu 95%
Konfigurazzjoni rakkomandata: massimu 2 metri mill-lock Tedee, massimu 2 metri mill-bridge Tedee

Speċifikazzjonijiet Tekniċi tal-Batterija

Isem u indirizz tal-manifattur: kif jidher fuq il-pakkett tal-batterija
Kategorija u ID: kif jidher fuq il-kisi tal-batterija
Post tal-manifattura: kif jidher fuq il-pakkett tal-batterija
Piż: ~2.90g
Kapaċità: ~2230mAh
Kompożizzjoni kimika: litju (100%)
Sustanzi perikolużi oħra għajr il-merkurju, il-kadmju jew il-ħadid: N/A
Agent tal-hruġ tan-nar: sodium chloride (NaCl), Ternary Eutectic Chloride (TEC)
Materjali kritiċi preżenti fil-batterija aktar minn 0.1%: N/A

NOTI LEGALI / AMBJENTALI

Dikjarazzjoni ta' Konformità tal-UE

Tedee Sp. z o.o. b'dan jiddikjara li l-apparat radju Tedee Door Sensor TDSV1.0 huwa f'konformità mad-Direttiva 2014/53/UE. It-test sħiħ tad-Dikjarazzjoni ta' Konformità tal-UE huwa disponibbli fuq l-indirizz tal-internet li ġej: www.tedee.com/compliance.

WEEE / RoHS

Sabiex tipprevjeni impatt negattiv potenzjali fuq l-ambjent, ikkonsulta l-ligijiet u r-regolamenti lokali tiegħek għall-iskart xieraq ta' apparat elettroniku u batteriji fil-pajjiż tiegħek.

Rimi tal-batteriji: Jekk l-apparat Tedee tiegħek fih batteriji, tarmiħomx mal-iskart domestiku normali. Poggihom f'faċilità ta' riċiklaġġ xierqa jew f'punt ta' ġbir.

Batteriji użati fl-apparat Tedee ma fihomx merkurju, kadmju jew ħadid lil hinn mil-livelli speċifikati fid-Direttiva 2006/66/KE.

Rimi tal-elettronika: Tarmi l-apparat Tedee tiegħek mal-iskart domestiku normali. Poggih f'faċilità ta' riċiklaġġ xierqa jew f'punt ta' ġbir.

Bluetooth®

Il-kelma Bluetooth® u l-logos huma proprjetà tal-Bluetooth SIG, Inc., u kwalunkwe użu ta' dawn it-trademarks minn Tedee Sp. z o.o. huwa taħt liċenzja. Trademarks oħra u ismijiet kummerċjali huma daww tas-sidien rispettivi tagħhom.

Google, Android u Google Play huma trademarks ta' Google LLC.

Apple u App Store huma trademarks ta' Apple Inc.

iOS huwa trademark jew trademark irregiſtrat ta' Cisco fl-Istati Uniti u f'pajjiżi oħra, użat taħt liċenzja.

GARANZIJA

Garanzija Limitata tal-Hardware Tedee

Tedee Sp. z o.o. tiggarrantixxi li l-apparati Tedee huma ħielsa minn difetti ta' hardware fil-materjali u x-xogħol għal perjodu ta' mhux anqas minn 2 snin mid-data tal-ewwel xiri bl-imnut.

Tedee Sp. z o.o. ma tiehux responsabbiltà għall-użu ħażin ta' apparati (inkluż metodi ta' ċċarġjar oħra għajr daww deskritti f'dan il-manwal), speċjalment jekk xi

tibdil jew modifiki tal-hardware jew is-software tal-apparat li mhumiex approvati, rakkomandati, jew ipprovdoti minn Tedee, kienu saru mill-utent. Informazzjoni sħiħa dwar il-garanzija hija disponibbli fil-link li ġej: www.tedee.com/warranty, fl-indirizz tal-kwartieri ġenerali tal-manifattur indikat fuq l-ippakkjar, u fuq support@tedee.com.

tedee® huwa trademark irregistrat ta' Tedee Sp. z o.o. Copyright (C) 2022. Id-drittijiet kollha riservati.

Tedee Door Sensor

Tedee Sp. z o. o.

Karola Bohdanowicza 21/57

02-127 Warszawa

Polska

support@tedee.com

www.tedee.com