



DEEBOT **180S** OMNI

Instruction Manual

Instruction Manual.....	EN	I P03
Bedienungsanleitung	DE	I P33
Manuel d'instructions.....	FR	I P64
Manuale di istruzioni	IT	I P96
Bruksanvisning	SE	I P127
Bruksanvisning	NO	I P158
Brugsanvisning.....	DK	I P188
Käyttöopas	FI	I P218
Kullanım Kılavuzu	TR	I P248

For the Instruction Manual in further languages, visit: <https://www.ecovacs.com>

Die Bedienungsanleitung in anderen Sprachen findest du unter: <https://www.ecovacs.com>

Pour obtenir le Manuel d'instruction dans différentes langues, visitez : <https://www.ecovacs.com>

Per il manuale d'istruzioni in altre lingue, visitare il sito Web: <https://www.ecovacs.com>

Bruksanvisningen finns på fler språk på: <https://www.ecovacs.com>

Du finner bruksanvisningen på flere språk på: <https://www.ecovacs.com>

Du kan finde brugsanvisningen på flere sprog på: <https://www.ecovacs.com>

Käyttöopas on saatavilla muilla kielillä osoitteessa: <https://www.ecovacs.com>

Diğer dillerde sunulan Kullanım Kılavuzu için şu adresi ziyaret edin: <https://www.ecovacs.com>

IMPORTANT SAFETY INSTRUCTIONS

IMPORTANT SAFETY INSTRUCTIONS

When using an electrical Appliance, basic precautions should always be followed, including the following:

READ ALL INSTRUCTIONS BEFORE USING THIS APPLIANCE SAVE THESE INSTRUCTIONS

1. This Appliance can be used by children aged from 8 years and above and persons with reduced physical, sensory, or mental capabilities or lack of experience and knowledge if they have been given supervision or instruction concerning use of the Appliance in a safe way and understand the hazards involved. Children shall not play with the Appliance. Cleaning and user maintenance shall not be made by children without supervision.
2. Clear the area to be cleaned. Remove power cords and small objects from the floor that could entangle the Appliance. Tuck rug fringe under the rug base, and lift items such as curtains and tablecloths off the floor.
3. If there is a drop off in the cleaning area due to a step or stairs, you should operate the Appliance to ensure that it can detect the step without falling over the edge. It may become necessary to place a physical barrier at the edge to keep the unit from falling. Make sure the physical barrier is not a trip hazard.
4. Only use as described in this manual. Only use attachments recommended or sold by the manufacturer.
5. For INDOOR household use ONLY. Do not use the Appliance in outdoor, commercial, or industrial environments.
6. Do not use without dust bin and/or filters in place.
7. Do not operate the Appliance in an area where there are lit candles or fragile objects.
8. Keep hair, loose clothing, fingers, and all parts of body away from any openings and moving parts.
9. Do not operate the Appliance in a room where an infant or child is sleeping.
10. Do not use and store in extremely hot or cold environments (below -5°C / 23°F or above 40°C / 104°F). Please charge the robot in temperature above 0°C / 32°F and below 40°C / 104°F .

11. Do not use Appliance on wet surfaces or surfaces with standing water.
12. Do not allow the Appliance to pick up large objects like stones, large pieces of paper, or any item that may clog the Appliance.
13. Do not use Appliance to pick up flammable or combustible materials such as gasoline, printer or copier toner, or use in areas where they may be present.
14. Do not use Appliance to pick up anything that is burning or smoking, such as cigarettes, matches, hot ashes, or anything that could cause a fire.
15. Do not put objects into the suction intake. Do not use if the suction intake is blocked. Keep the intake clear of dust, lint, hair, or anything that may reduce air flow.
16. If the power cord is damaged, it must be replaced by the manufacturer or its service agent in order to avoid a hazard.
17. Turn OFF the power switch before cleaning or maintaining the Appliance.
18. The lithium battery type suitable for CH2497F is Max. 4 cells, max. nominal voltage DC 14.4V, rated capacity 5,800mAh. The battery must be removed and discarded according to local laws and regulations before disposal of the Appliance.
19. Please dispose of used batteries according to local laws and regulations.
20. Do not incinerate the Appliance even if it is severely damaged. The batteries can explode in a fire.
21. The Appliance must be used in accordance with the directions in this Instruction Manual. Ecovacs Home Service Robotics cannot be held liable or responsible for any damages or injuries caused by improper use.
22. The robot contains batteries that are only replaceable by skilled persons. To replace the robot's battery, please contact Customer Service.
23. Please make sure your power supply source voltage matches the power voltage marked on the OMNI Station.
24. Use only the original rechargeable battery and OMNI Station provided with the Appliance from the manufacturer. Non-rechargeable batteries are prohibited.
25. Take care not to damage the power cord. Do not pull on or carry the Appliance or OMNI Station by the power cord, use the power cord

- as a handle, close a door on the power cord, or pull power cord around sharp edges or corners. Do not run Appliance over the power cord. Keep power cord away from hot surfaces.
26. Do not use the OMNI Station if it is damaged. The power supply is not to be repaired and not to be used any longer if it is damaged or defective.
 27. Do not use with a damaged power cord or receptacle. Do not use the Appliance or OMNI Station if it is not working properly, has been dropped, damaged, left outdoors, or come in contact with water. It must be repaired by the manufacturer or its service agent in order to avoid hazards.
 28. The plug must be removed from the receptacle before cleaning or maintaining the OMNI Station.
 29. Remove the Appliance from the OMNI Station, and turn OFF the power switch to the Appliance before removing the battery for disposal of the Appliance.
 30. When not using the OMNI Station for a long period of time, please unplug it.
 31. If the robot will not be used for a long time,

power OFF the robot for storage and unplug the OMNI Station.

32. **WARNING**-Add clean water into the clean tank only.
33. **WARNING:** For the purposes of recharging the battery, only use the detachable supply unit CH2497F provided with the Appliance.

To satisfy RF exposure requirements, a separation distance of 20 cm or more should be maintained between this device and persons during device operation.



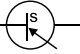

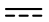


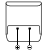
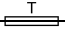
To ensure compliance, operations at closer than this distance is not recommended. The antenna used for this transmitter must not be co-located in conjunction with any other antenna or transmitter.

Device Update

Typically, some devices are updated bi-monthly, but not always so specific.

Some devices, especially those that went on sale more than three years ago, will only be updated if a critical vulnerability is found and fixed.

To check the current software version and enable automatic updates, go to Settings > Robot Advanced Settings > About Your Robot > Update in the app. The current version is displayed there; tap Update to enter the page and select Automatic Update to enable it.

	Caution: hot surface
	Short-circuit-proof safety isolating transformer
	Switch mode power supply
	For indoor use only
	Direct current
	Alternating current
	Before charging, read the instructions.
	Polarity of the charging port
	Time-lag miniature fuse-link

The remote surveillance is for the absolute private use of non-public, private owned places for the pure self-protection and single control intended only. Please be aware of the local data protection based legal obligations in case of use. No surveillance of public places, especially with clandestine intent and/or on the part of the employer without justified reasons. Such not justified use is in the risk and responsibility of the user only.

European Union Compliance Statement Information on Disposal for Users of Waste Electrical & Electronic Equipment



This symbol on the product or on its packaging indicates that used electrical and electronic products should not be mixed with unsorted municipal waste. For proper treatment, it is your responsibility to dispose of your waste equipment by arranging to return it to designated collection points. Disposing of this product correctly will help save valuable resources and prevent any potential negative effects on human health and the environment, which could otherwise arise from inappropriate waste handling.

To return your used device, please use the return and collection systems or contact the retailer where the product was purchased, which is free of charge, please contact your local authority for further details of your nearest designated collection point.

Penalties may be applicable for incorrect disposal of this waste, in accordance with your national legislation.

Information on Disposal for Users of used batteries



This symbol means that batteries and accumulators, at their end-of-life, should not be mixed with unsorted municipal waste. Your participation is an important part of the effort to minimize the impact of batteries and accumulators on the environment and on human health. For proper recycling you can return this product or the batteries or accumulators it contains to your supplier or to a designated collection point, which is free of charge.

Disposing of this product correctly will help save valuable resources and prevent any potential negative effects on human health and the environment, which could otherwise arise from inappropriate waste handling.

Penalties may be applicable for incorrect disposal of this waste, in accordance with your national legislation. there are separate collection systems for used batteries and accumulators.

Please, dispose of batteries and accumulators correctly at your local community waste collection/recycling center.

Restriction of the use of certain hazardous substances (RoHS) Directive

Ecovacs Home Service Robotics Co., Ltd. hereby declares the whole product including parts (cables, cords, and so on) meets the requirements of RoHS Directive 2011/65/EU and amendment Commission Delegated Directive (EU) 2015/863 on the restriction of the use of certain hazardous substances in electrical and electronic equipment ("RoHS recast" or "RoHS 2.0").

Radio Equipment Directive

Ecovacs Home Service Robotics Co., Ltd. hereby declares that the product listed in this section comply with the essential requirements and other relevant provisions of the Radio Equipment Directive 2014/53/EU.

Europe Authorised Representative:



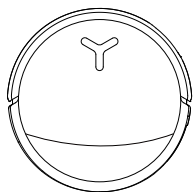
ECOVACS Europe GmbH
Holzstrasse 2 | D-40221 Düsseldorf | Germany

Ecovacs Home Service Robotics Co., Ltd. hereby declares that the product comply with the essential requirements and other relevant provisions of the RoHS Directive 2011/65/EU and amendment Commission Delegated Directive (EU) 2015/863, the Radio Equipment Directive 2014/53/EU. The declaration of conformity can be viewed at the following address:

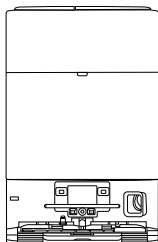
<https://www.ecovacs.com/global/compliance>

PACKAGE COMPONENTS

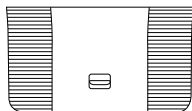
1 Package Contents



DEEBOT



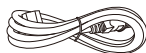
OMNI Station



Base



Instruction Manual



Power Cord

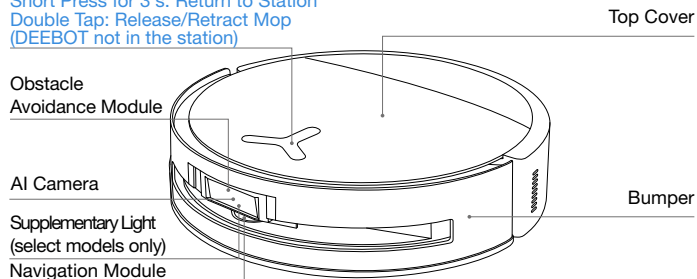
* Figures in this manual are for reference only and may differ from the appliance. Product design and specifications are subject to changes without notice.

2 Product Diagram

1. DEEBOT Front View

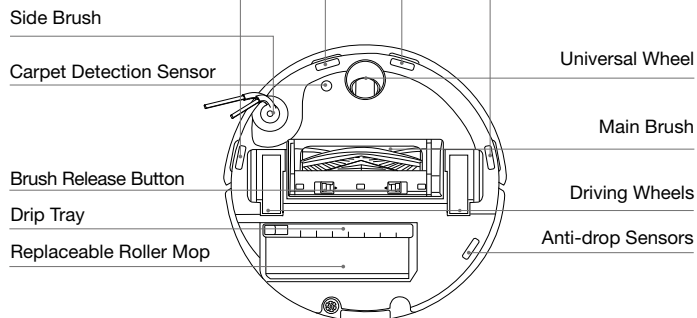
Buttons on the DEEBOT:

Press: Toggle Start/Pause/Continue
Short Press for 3 s: Return to Station
Double Tap: Release/Retract Mop
(DEEBOT not in the station)



2. DEEBOT Bottom View

Anti-drop Sensors

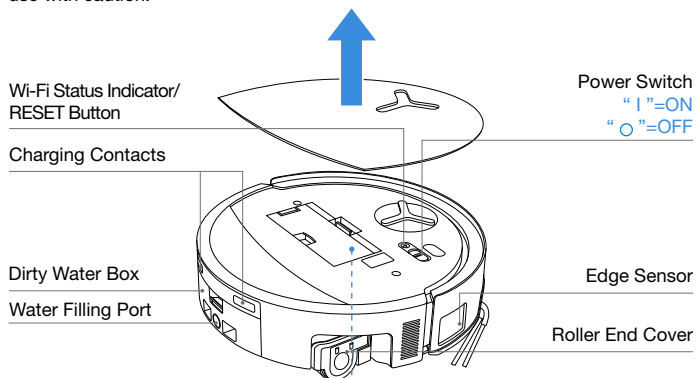


3. Inside DEEBOT (Under the Top Cover)

RESET Button

Network Setup: Press the RESET Button and follow the voice prompt to set up the network.

Restore default settings: Press the RESET button and hold for 5 s. After you hear the voice prompt, the startup music will play, and DEEBOT will be restored to the default settings. Reset will clear the existing map and cleaning settings. Please use with caution.



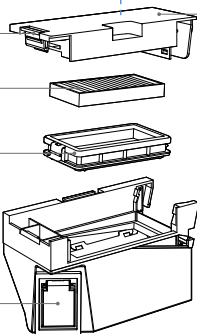
4. Dust Bin

Filter Latch

Filter

Filter Net

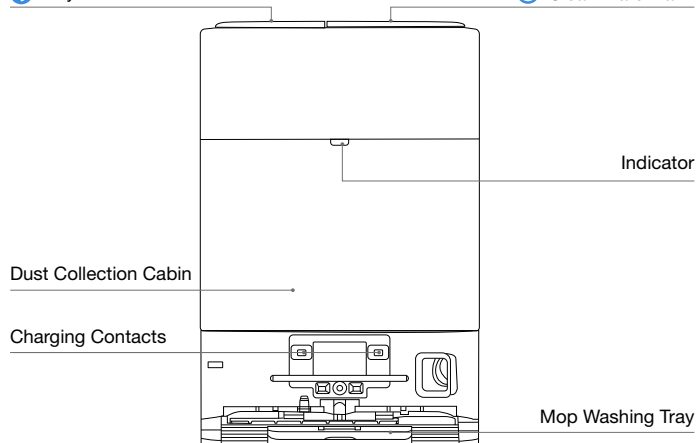
Dust Disposal Port



5. OMNI Station

Dirty Water Tank

Clean Water Tank

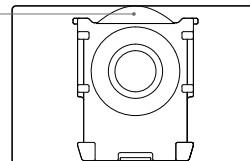


Note:

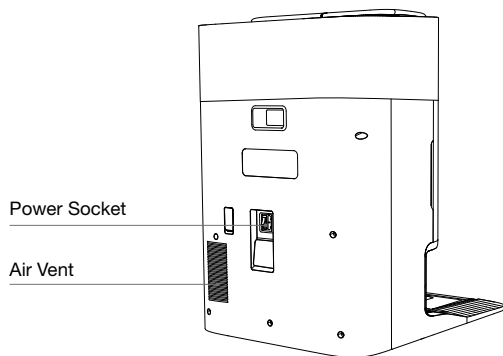
- Flashing Red: Please check the ECOVACS HOME App for the reason.
- If DEEBOT fails to charge, please wipe charging contacts with a clean and dry cloth.

6. Dust Bag

Dust Bag Handle



7. OMNI Station (Back)



8. Indicator Light

Indicator	Light Effect	State
DEEBOT	Breathing White	Charging
	Solid White	Fully Charged/Running
	Solid Red	Low Battery
	Flashing Red	Malfunction
Station	Solid White	Standby/Running
	Flashing Red	Malfunction
	Goes Out	Power Outage/ Deep Sleep Mode

9. Sensors Overview

Name	Functional Description
Navigation Module	Laser Ranging is applied to measure the distance between DEEBOT and surrounding objects based on the time difference of reflection, allowing the module to map against the objects around while DEEBOT is moving. The detection range is 10 m.
Obstacle Avoidance Module	Infrared Ranging and similar triangles are applied to measure the distance between the surrounding objects and DEEBOT. When the sensor detects an object nearby, DEEBOT will automatically take a turn to avoid bumping into the object. The detection range is 0.3 m.
Anti-drop Sensors	With Infrared Ranging, the distance between the DEEBOT's bottom and the ground is detected by the infrared sensors at the bottom. DEEBOT will not move forward when there are stairs in front (such as when the height of the white surface is 55 mm or more, or the height of the black surface is 30 mm or more) and the identified height exceeds the preset one, realizing the anti-drop feature.
Carpet Detection Sensor	The sensor emits 300 kHz ultrasound, whose energy will be absorbed by the carpet, causing the echoed energy to be lower than the threshold. DEEBOT thereby detects the carpet's presence. In the ECOVACS laboratory, more than 50 types of carpets available on the market are identified.
Anti-collision Sensor	With the principle of the Optocoupler Switch, DEEBOT will avoid obstacles when they are about to collide.
Edge Sensor	With Infrared Ranging, the edge sensor detects the distance between the DEEBOT and objects on the side. When there is a wall or obstacles on the right, the DEEBOT performs edge cleaning to avoid missing any spots and prevent collisions.
AI Camera	Use AI cameras to collect images of the surrounding environment. Realize video recording. Through interaction with MIC, remote video call can be realized(For some models).

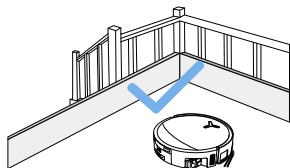
INITIAL SETUP AND USE

1 Notes before Cleaning



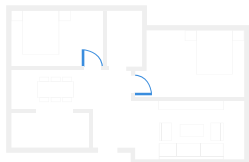
Tide up the Area to be Cleaned

For the maximum cleaning area possible, put furniture, such as tables, chairs, and pedestal fans, in their proper place and put away low-lying items, such as weight scales, before using DEEBOT.



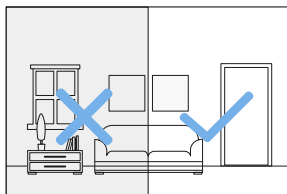
Prevent DEEBOT from Falling

Place a physical barrier at the edge of a drop, such as staircases and steps, to stop DEEBOT from falling over the edge.



Open Doors and Help DEEBOT Explore

Open all room doors to help DEEBOT fully explore your house during the first use.



Provide Sufficient Lighting

Ensure all cleaning areas are well-lit to support DEEBOT's AI camera in accurately avoiding obstacles such as shoes, socks, and cords.



Remove objects, including cables, clothes, and slippers, from the floor to improve cleaning efficiency.



Before using the product on a carpet with tasseled edges, please fold the tassels under the carpet.



Please do not stand in narrow spaces, such as hallways, to avoid blocking the navigation module.



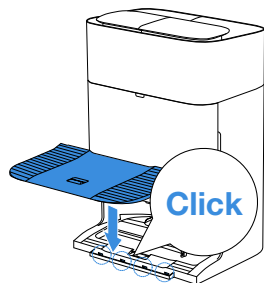
Ensure the clarity of the DEEBOT's vision and avoid scratching or smudging the AI camera lens with fingerprints or oily stains. Use a clean, soft cloth to wipe the camera, instead of cleaning agents, detergents, or sprays.

2 Quick Start

Remove all protective materials before using.

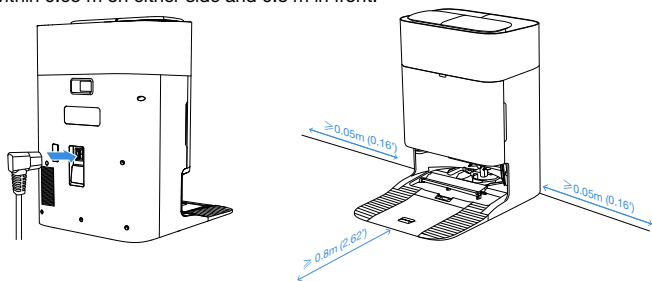
1. Installation

The sound of "click" indicates proper installation.



2. Assemble and Place the Station

Place the OMNI station against the wall on a flat, hard surface. Do not place items within 0.05 m on either side and 0.8 m in front.



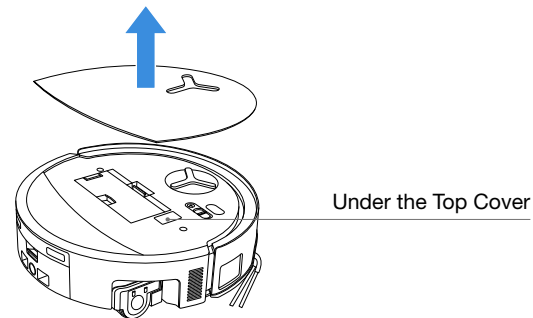
Note:

- If there are reflective objects such as mirrors and reflective skirting lines near the station, the bottom 14 cm of such objects should be covered.
- Do not place the station under direct sunlight or in high-temperature environments..
- Place the station in a location with a strong Wi-Fi signal for better user experience.
- Do not use the appliance on wet surfaces or surfaces with standing water.
- Do not wipe DEEBOT and the station with a damp cloth or use any liquid.

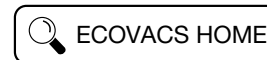
3 Download the ECOVACS HOME APP

To enjoy all available features, it is recommended that you control your DEEBOT via the ECOVACS HOME App.

Scan the QR code under the top cover to download the App.


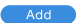


Or search "ECOVACS HOME" on the App Store or Google Play to download the App.



Note: Follow the instructions on the App to complete the registration, login, and connection.

4 Connect DEEBOT with APP

Via Bluetooth: Turn on DEEBOT and your mobile phone Bluetooth. Allow the App to obtain mobile phone Bluetooth permission. Tap to scan the QR Code on DEEBOT or tap  or  in the App to find the nearby DEEBOT.


Via Wi-Fi: You can also choose to connect DEEBOT with the App through other methods according to the prompts on the App's page.

Note: Please connect via Bluetooth for a better experience.

Wi-Fi Network Requirements:

- You are using a 2.4 GHz or 2.4/5 GHz mixed network.
- Your router supports 802.11b/g/n and IPv4 protocol.
- Do not use a VPN (Virtual Private Network) or Proxy Server.
- Do not use a hidden network.
- WEP EAP (Enterprise Authentication Protocol) is not supported.
- Use Wi-Fi channels 1-11 in North America and channels 1-13 outside North America (refer to local regulatory agency).
- If you are using a network extender/repeater, the network name (SSID) and password are the same as that of your primary network.
- Please enable the WPA2 on your router.

Wi-Fi Indicator Light

	Slow Flashing White	Disconnected from Wi-Fi
	Fast Flashing White	Connecting
	Solid White	Connected to Wi-Fi

Please be aware that intelligent features such as remote startup, 2D/3D map display and control settings, and personalized cleaning (depending on the Appliance) require the ECOVACS HOME App, which is constantly updated. You need to agree to our Privacy Policy and User Agreement so that we can process some of your essential and necessary information before you can use certain features of the ECOVACS HOME App to control the Appliance. If you disagree with our Privacy Policy and User Agreement, such features will be unavailable. However, you can still use the basic features of this appliance for manual operation.

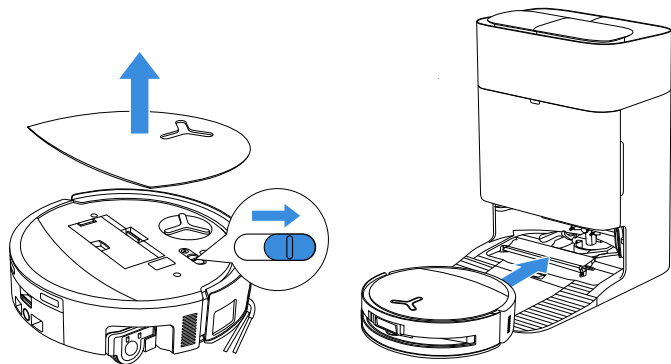
Network Interface Information

Name	Description
Infrared interface	The infrared interface is turned off by default, and it is activated when the robot is in the charging station. When the DEEBOT is in the charging station, it will communicate with the charging station through the infrared interface.
Bluetooth	Enable Bluetooth to connect the robot to the network during the network setup process. Bluetooth uses the GAP1800, GATT 1801, 8888 service for configuration and data interaction securely.
Wi-Fi*	Facilitate data transfer between the app and the robot, enabling control of the robot through the app.
ECOVACS HOME App	ECOVACS products offer smart functions such as network setup, mapping, and cleaning mode selection (specific to each product). To utilize these features, users need to download and use the official ECOVACS Home App.

* The DEEBOT series robotic vacuums are designed for domestic cleaning scenarios. A home Wi-Fi network is required for operation, and anti-DDOS protection needs to be configured by users through route settings.

5 Power on and Charge DEEBOT

Turn on the power switch under DEEBOT's cover ("I" = ON, "O" = OFF), and place DEEBOT in front of the station that is connected to the power supply, then move DEEBOT back to the station.

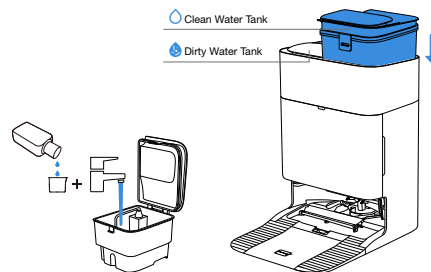


Note:

- DEEBOT cannot charge when it is powered off.
- After cleaning, it is recommended to keep DEEBOT powered on and charging to ensure it is ready for the next cleaning session.
- Please start cleaning from the station. Do not move the station while cleaning.

6 Fill the Clean Water Tank

Fill the clean water tank with clean water. Add an appropriate amount of cleaning solution with a 1:200 dilution ratio using the bottle cap. Secure the tank cover, shake gently to mix, and use.



Note:

- When the clean water tank is full (approximately 4L), add one cap of cleaning solution (approximately 20ml).
- Do not add hot water, as it may cause deformation of the water tank.
- If there are any residual water stains on the outside of the water tank, please wipe them off with a soft dry cloth before placing it back for use.
- Do not add any non-ECOVACS official cleaning solutions, as they may cause damage to the product.
- Any water stains inside the water tank are left over from factory testing. Please use with confidence.

7 Operate DEEBOT

1. Start Mapping


When creating a map for the first time, please follow DEEBOT to help with some minor issues.

For example, DEEBOT may get stuck under furniture. Please refer to the following solutions:


- ① Raise the low-sitting furniture if possible;
- ② Cover the bottom of the furniture.

2. Start Cleaning


- DEEBOT's water tank is automatically refilled through the station. Manual refilling is not needed.
- When mopping, DEEBOT will recognize floor types and is able to lift roller mop automatically when encountering carpets. Please do not use DEEBOT on shaggy rugs or carpets with fibres longer than 10 mm. It is recommended to fold up the shaggy rugs with fibres longer than 10 mm during the cleaning process, please set a virtual boundary in the ECOVACS HOME App.

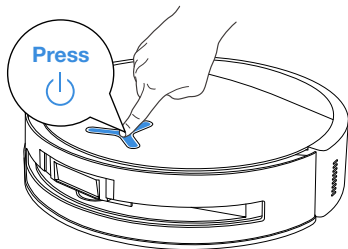
Please ensure that DEEBOT is in the station and is fully charged before cleaning for the first time. Tap  on DEEBOT to start. You can also use the ECOVACS HOME App to start.

3. Pause


Tap  on DEEBOT to pause it while it is working. You can also use the ECOVACS HOME App to pause DEEBOT.

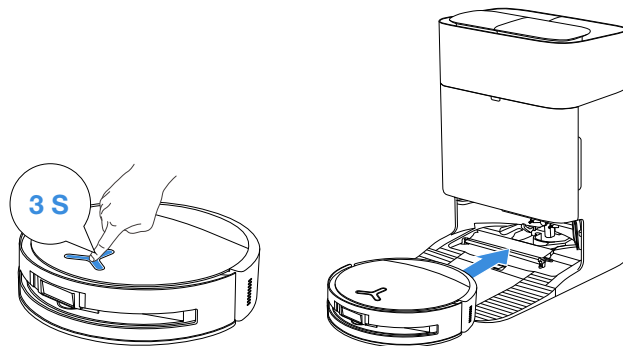
4. Wake Up

After pausing for a while, all indicator lights on DEEBOT will go out. To wake up DEEBOT, briefly press the  button, or use the ECOVACS HOME app.



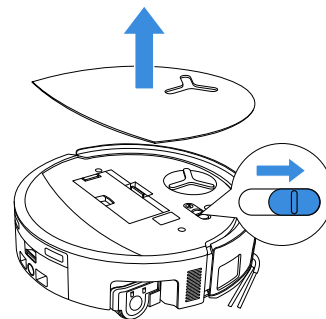
5. Back to Station

Use the ECOVACS HOME App to recall DEEBOT, or press and hold the  button on DEEBOT for 3 s, to allow DEEBOT to dock for charging.



6. Deep Sleep Mode

DEEBOT will enter deep sleep mode if it stays outside the station for about 10 h to protect the battery. Please switch OFF and ON to wake DEEBOT up. If unresponsive, place DEEBOT on the dock to charge.



REGULAR MAINTENANCE

Maintenance Frequency

To keep DEEBOT running at peak performance, perform maintenance and replace parts at the following frequencies:

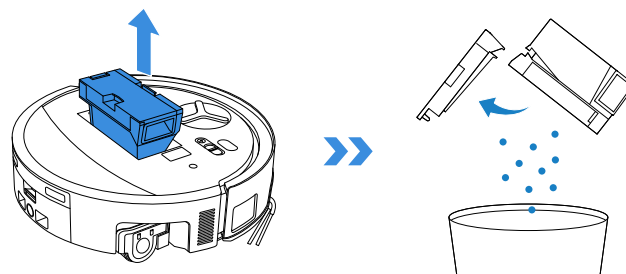
DEEBOT Part	Maintenance Frequency	Replacement Frequency
Washable Roller Mop	/	Every 1-2 months
Dirty Water Box	Every week	/
Drip Tray	Every week	/
Dust Bag	/	When App prompts
Side Brush	Every 2 weeks	Every 3-6 months
MainBrush	Every week	Every 6-12 months
Filter	Every week	Every 3-6 months
Universal Wheel Anti-drop Sensors Edge Sensor Bumper Charging Contacts on DEEBOT Charging Contacts on OMNI Station Navigation Module Obstacle Avoidance Module AI Camera	Approx. every month	/
Clean Water Tank	Every 3 months	/
Dirty Water Tank	Every month	/
Dust Collection Cabin	Every month	/
Body and Bottom of the Station	Every month	/
Mop Washing Tray	Every 5 months	/

Explore more accessories at ECOVACS HOME App or at <https://www.ecovacs.com>

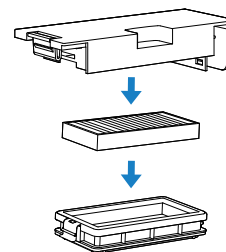
DEEBOT Maintenance

1 Maintain Dust Bin and Filter

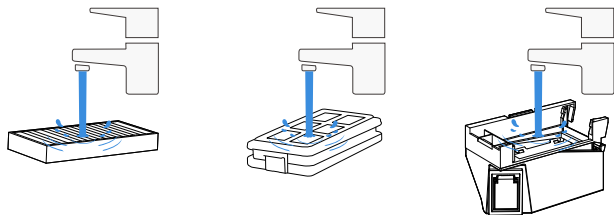
1. Remove the dust bin and then empty it.



2. Open the filter net and remove the filter.



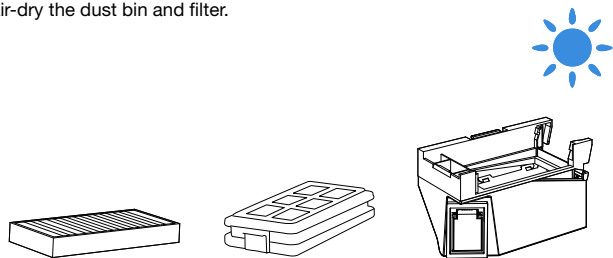
3. Rinse the dust bin and filter with water and shake off the water droplets.



Note:

- Please rinse the filter with water as shown.
- Do not use fingers or a brush to clean the filter.

4. Air-dry the dust bin and filter.



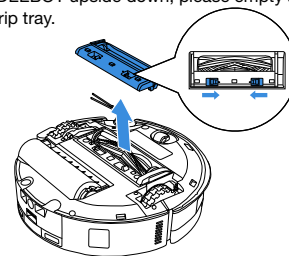
Note: Completely dry the dust bin components before use.

② Maintain Main Brush and Side Brush

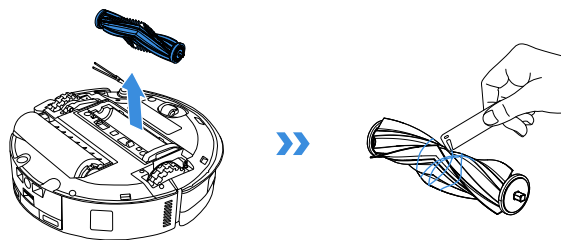
Clean the Main Brush

1. Remove the cover from the main brush.

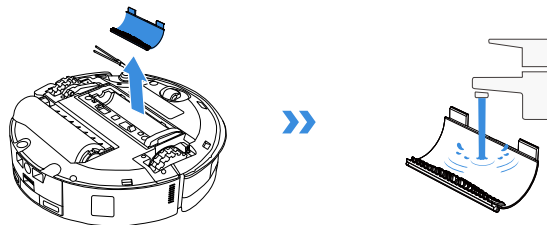
Note: Before turning DEEBOT upside down, please empty any remaining water from the dirty water tank and drip tray.



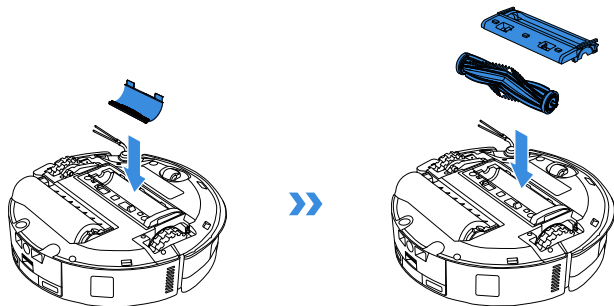
2. Remove and clean the main brush.



3. Remove, clean and dry the brush comb.

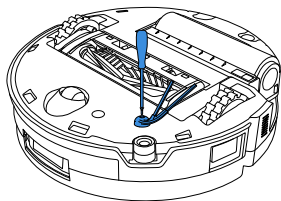


4. Install the brush comb, main brush and the cover.



Clean the Side Brush

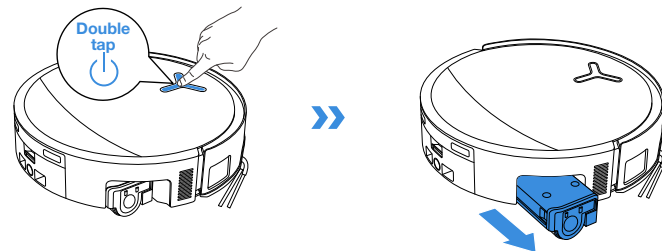
Remove the side brush using a screwdriver and clean it.



3 Maintain Roller Mop

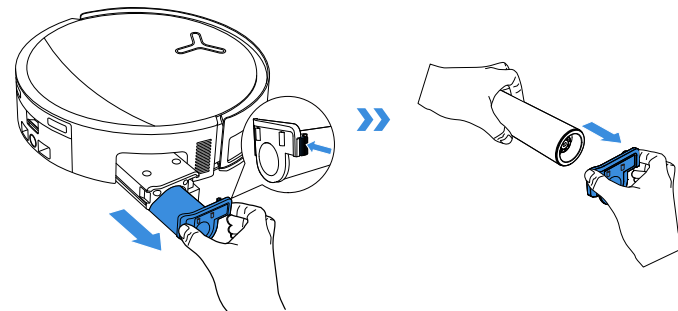
Clean the Roller Mop

1. Double tap  button to release the roller mop component.

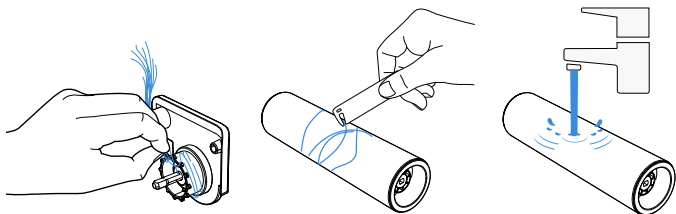


Note: Do not pull the roller forcefully while it is retracted, as this may damage the roller mop component.

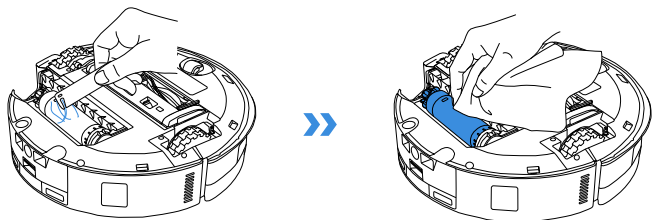
2. Press the lateral unlock button to remove the roller.




3. Clean the roller mop.

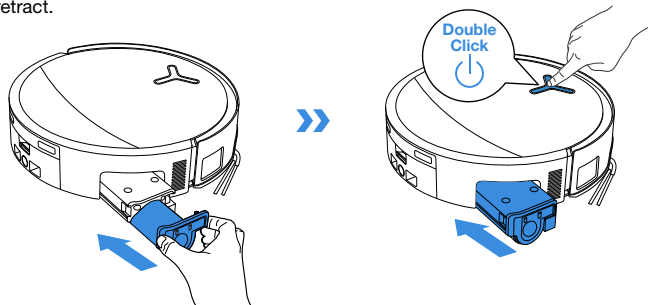


4. Clean inside the roller.



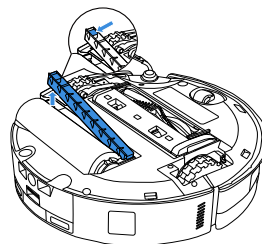
Note: Do not wash DEEBOT with water.

5. Push the roller mop into the roller end cover and double tap the  button to retract.



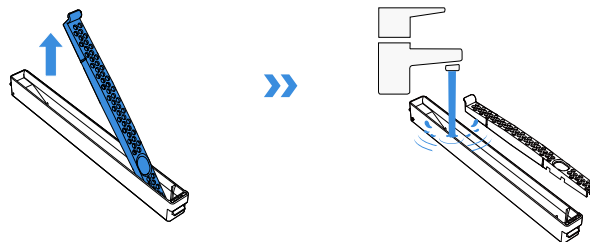
4 Maintain Drip Tray

1. Remove the drip tray.

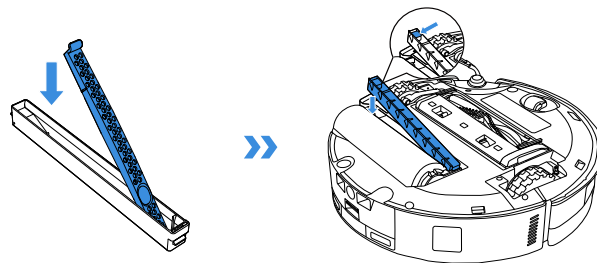


Note: A small amount of residual water may leak out when flipping DEEBOT if it's not in drying mode.

2. Remove and clean drip tray components.

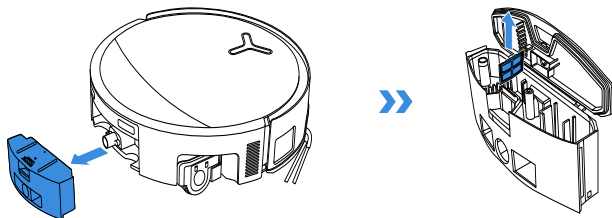


3. Please install the drip tray filter components as shown in the illustration.

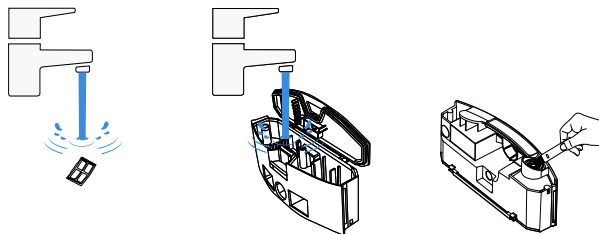


5 Maintain Dirty Water Box

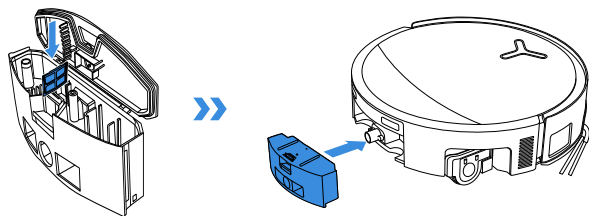
1. Remove the dirty water box and the filter net.



2. Clean the filter net, box, and sewage outlet.



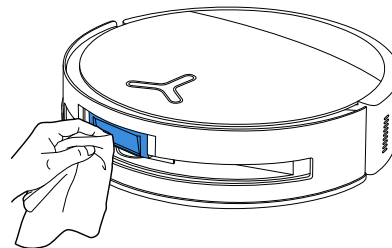
3. Reinstall the filter, press securely, and then reattach the dirty water box cover.



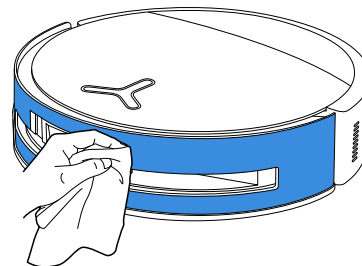
Press the dirty water box cover firmly in the guided direction until its plane is completely flush with the upper edge of the box to ensure a tight seal.

6 Maintain Other Components

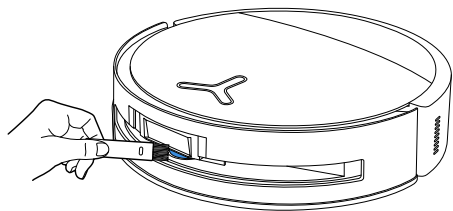
Clean the Obstacle Avoidance Module Lens



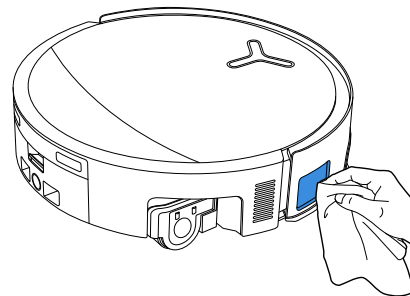
Clean the Bumper



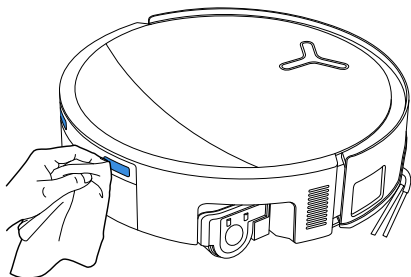
Clean the Navigation Module



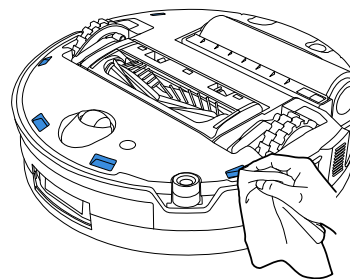
Clean the Edge Sensor



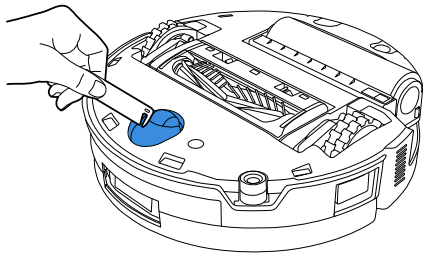
Clean Charging Contacts



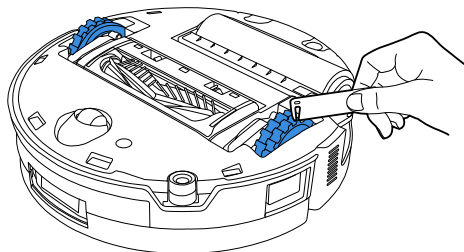
Clean the Anti-drop Sensors



Clean the Universal Wheel



Clean the Driving Wheels



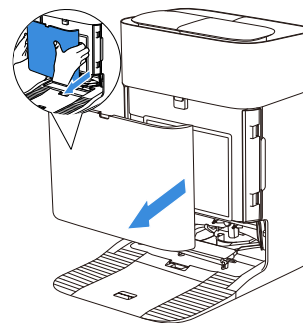
Note:

- Note: Explore more accessories at ECOVACS HOME App or at <https://www.ecovacs.com>.
- Wipe the components with a clean, dry cloth. Never use a wet cloth. Do not use cleaning sprays or detergents.

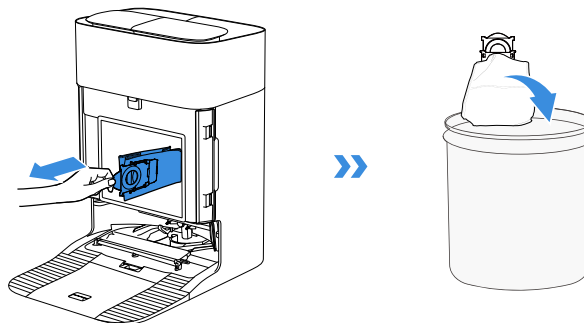
Station Maintenance

1 Maintain Dust Bag

1. Remove dust collection cabin cover.

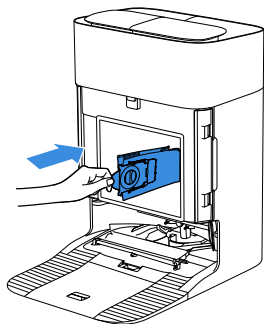


2. Remove the disposable dust bag in the direction of the arrow and discard it.

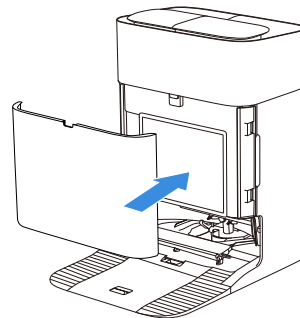


- Note:** Hold the Handle to lift out the dust bag, which can effectively prevent dust leakage.

3. Clean the dust collection cabin with a dry cloth and install a new dust bag.

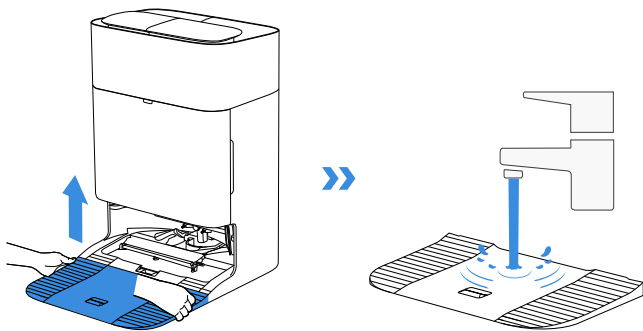


4. Insert the top latch of the dust collection cabin cover into the slot, and then press downward to ensure a proper seal.

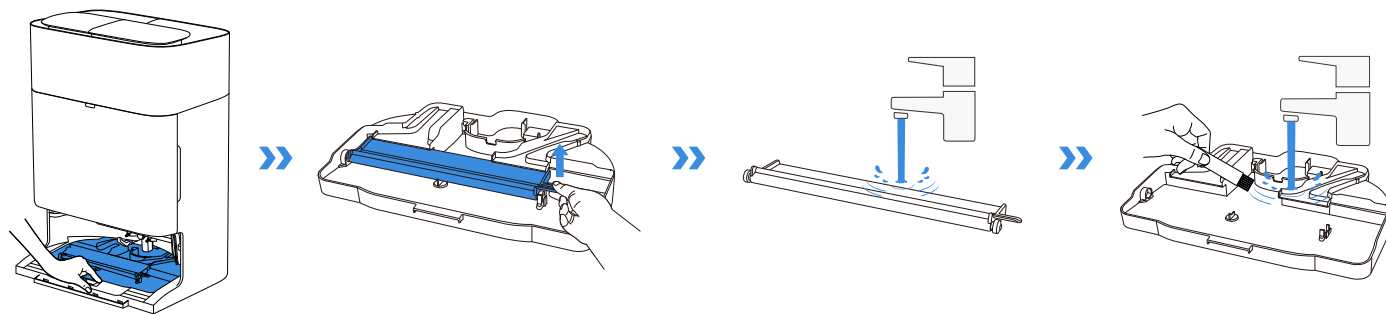


2 Maintain Mop Washing Tray

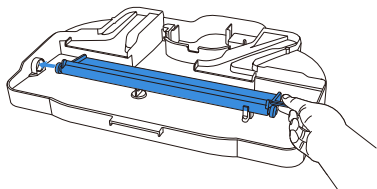
1. Remove and clean the station base.



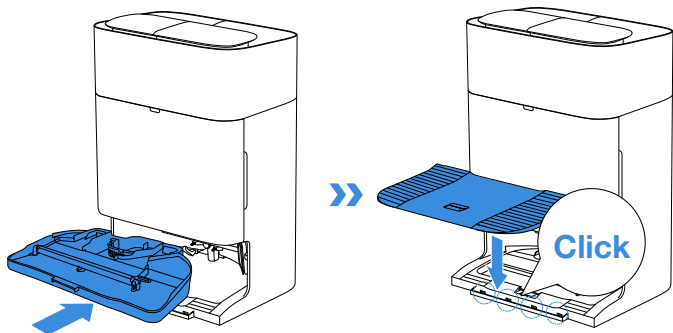
2. Remove and clean the mop washing tray and the soaking tray.



3. Install the soaking tray.



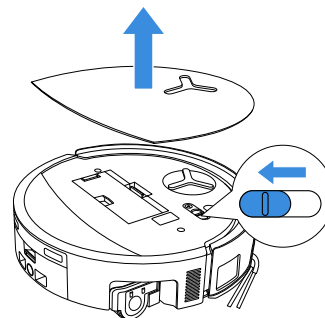
4. Install the mop washing tray and base.



Note: Please install the tray and base properly to prevent malfunction.

3 Storage

Please fully charge and switch OFF DEEBOT before storage. Please recharge it every 1.5 months to prevent the battery from over-discharging.



! Please note that DEEBOT cannot charge when powered OFF.


Note:

- After DEEBOT finishes its cleaning task, it is recommended not to power it off but to keep it charging, to better prepare for the next cleaning session.
- If the battery is over-discharged or not used for a long time, DEEBOT may not be charged. Please contact ECOVACS for help. Do not disassemble the battery by yourself.
- If you do not use the product for a long time, keep the dirty water box, water tanks empty and the mop dry.

TROUBLESHOOTING


For the following possible issue, refer to the corresponding solutions.

No.	Malfunction	Possible Cause	Solution
1	DEEBOT is not able to connect to the ECOVACS HOME App.	Incorrect Wi-Fi username or password entered.	Enter the correct Wi-Fi username and password.
		DEEBOT is not within range of your home Wi-Fi signal.	Make sure DEEBOT is within range of your home Wi-Fi signal. Try to stay as close to the router as possible.
		DEEBOT is not in the configuration state.	Press the Reset button to connect DEEBOT to your phone by Bluetooth. If it fails, please reconnect via the ECOVACS HOME App.
		There is no home Wi-Fi on the Wi-Fi list.	1.Check if the Wi-Fi name contains special characters. Please do not use special characters like !@#& ¥%^\. 2.Do not use a 5 GHz network.
		An incorrect App is installed.	Please download and install the ECOVACS HOME App.
2	Unable to create the furniture map in the App.	Moving DEEBOT when cleaning might cause the map to be lost.	During cleaning, do not move DEEBOT.
		Auto cleaning is not finished.	Make sure DEEBOT automatically returns to the OMNI Station after cleaning.
		Multi-floor mode was not enabled when the second map was created.	Please enable multi-floor mode in the App.
3	The side brush drops out of place during use.	The side brush is not properly installed.	When installing the side brush with a screwdriver, ensure the screw is tightened securely.
4	No signal found. Unable to return to the station.	The OMNI Station is incorrectly placed.	Place the station properly according to the instructions in the [Power on and Charge DEEBOT] section.
		The OMNI Station is out of power or has been moved.	Check whether the OMNI Station is connected to the power supply. Do not move the OMNI Station.
		DEEBOT does not start cleaning from the OMNI Station.	It is recommended that DEEBOT start cleaning from the OMNI Station.
		The docking route is blocked. For example, the door is closed to the room where the OMNI Station is placed.	Keep the charging route clear.

No.	Malfunction	Possible Cause	Solution
5	DEEBOT returns to the OMNI Station before it has finished cleaning.	The room is so large that DEEBOT needs to return to recharge.	Please enable auto-resume. For more details, please follow the App instructions.
		In highly complex home layouts, cleaning efficiency may decrease, possibly resulting in incomplete cleaning.	Simplify your home layout.
6	DEEBOT is unable to charge.	DEEBOT is not switched ON.	Switch ON DEEBOT.
		DEEBOT's charging contacts are not connected to the OMNI station's charging contacts.	Make sure that DEEBOT's charging contacts have connected to the station's charging contacts and  flashes. Check whether DEEBOT's and OMNI station's charging contacts are dirty. Please clean these parts according to the instructions in the [REGULAR MAINTENANCE] section.
		The OMNI Station is not connected to the power supply.	1. Make sure the OMNI station is connected to power supply. 2. Once the power is connected, ensure that the motor startup sound can be heard.
		The base has not been installed in place.	Refer to the [Quick Start] section for correct installation.
7	DEEBOT is very loud during cleaning.	The main brush/side brush is tangled, or the dust bin/filter is blocked.	It is recommended to clean the main brush, side brush, dust bin, roller mop, filter, etc., regularly.
		DEEBOT is in Strong Suction Mode or Max Suction Power Mode.	Switch to Standard Mode.
8	DEEBOT gets stuck while working and stops.	DEEBOT is tangled with objects on the floor (electrical wires, curtains, carpet fringing, etc.).	DEEBOT will try various ways to free itself. If its attempts fail, manually remove the obstacles and restart.
		DEEBOT might be stuck under furniture with an entrance of similar height.	Please raise the furniture, set a physical barrier, or set a virtual boundary via the ECOVACS HOME App.
		DEEBOT is stuck in a narrow area.	Tidy up your home, set a physical barrier, or set a virtual boundary via the ECOVACS HOME App.

No.	Malfunction	Possible Cause	Solution
9	During cleaning, DEEBOT may encounter issues like a disorderly route, biased movement, repeated cleaning over the same spots, and missing small areas. (If there is a large area that has not been cleaned temporarily, DEEBOT will automatically clean the missed area. Sometimes DEEBOT will re-enter a cleaned room, which may not be repeated cleaning, but DEEBOT finds any missed area.)	Objects such as wires and slippers placed on the ground block DEEBOT.	Before cleaning, please tidy up scattered wires, slippers, and other objects on the ground as much as possible. If there is any area missed during cleaning, DEEBOT will correct it automatically. Please refrain from interfering (such as moving DEEBOT or blocking its route).
		The driving wheels may slip on the ground when DEEBOT climbs steps, thresholds, and door bars, which can affect its judgment of the entire home environment.	It is recommended to close the door of the affected area and clean it separately. After cleaning, DEEBOT will return to its starting location.
		On freshly waxed or polished floors, as well as smooth tiles, there may be less friction between the driving wheels and the floor.	Please wait for the wax to dry before cleaning.
		Due to variations in home layouts, some areas cannot be entered by DEEBOT.	Tidy up your home to ensure that DEEBOT can enter the areas to be cleaned.
10	Delay in remote control.	The Wi-Fi signal is poor, causing the video loading to be slow.	Use DEEBOT in areas with a good Wi-Fi signal.
11	After returning to the OMNI station, DEEBOT does not empty its dust bin.	The Auto-Empty function has not been turned on in the ECOVACS HOME App.	Turn on the Auto-Empty function in the ECOVACS HOME App.
		Manually moving DEEBOT back to the station will not trigger the Auto-Empty function.	It is recommended to allow DEEBOT to return to the OMNI Station on its own. Please do not manually move it.
		In Do Not Disturb mode, DEEBOT will not empty the dust after returning to the OMNI Station.	Turn off Do Not Disturb in the ECOVACS HOME App or manually start dust-emptying.
		The station detects a decrease in empty efficiency.	Replace the dust bag according to the [REGULAR MAINTENANCE] section and close the dust collection cabin. If the dust bag is not full when prompted by the App, you can put it back again.
		Check if the dust bin is full and causes a blockage.	Clean the dust bin according to the [REGULAR MAINTENANCE] section.
		If the above possible causes have been ruled out, components of the station may be abnormal.	Please contact customer service for assistance.

No.	Malfunction	Possible Cause	Solution
12	Auto-Empty unsuccessful.	The station detects a decrease in empty efficiency.	Replace the dust bag according to the [REGULAR MAINTENANCE] section and close the dust collection cabin. If the dust bag is not full when prompted by the App, you can put it back again.
		The outlet of the dust bin is blocked by foreign objects.	Remove the dust bin and clear the foreign objects on the outlet.
13	The inner side of the dust collection cabin is dirty.	Fine particles pass through the dust bag and accumulate on the inner side of the dust collection cabin.	Clean the inner side of the dust collection cabin.
		The dust bag is broken.	Check and replace the dust bag.
		The dust bag is not properly installed.	Please install the dust bag properly.
		The dust collection cabin cover is not closed.	Please check if the dust collection cabin cover is closed properly.
14	Dust leakage occurs while DEEBOT is working.	The outlet of the dust bin is blocked by foreign objects.	Remove the dust bin and clear the foreign objects on the outlet.
15	The roller mop does not rotate.	The roller mop is not correctly installed.	Install the roller mop properly according to the [REGULAR MAINTENANCE] section.
		The roller mop is blocked by foreign objects.	Clean and install the roller mop properly according to the [REGULAR MAINTENANCE] section.
16	The driving wheel is stuck.	The driving wheel is entangled or stuck due to foreign objects.	Rotate and press the driving wheel to check for any wrapping or obstruction by foreign objects. If any foreign objects are found, please clean them promptly. If this issue persists, please contact customer service for assistance.

No.	Malfunction	Possible Cause	Solution
17	The mop washing tray is full of water and cannot be emptied. A voice prompt reports the mop washing tray malfunction.	The dirty water tank is not properly installed.	Tap down on the dirty water tank to ensure it is properly installed.
		The sealing plugs in the dirty water tank are not installed properly.	Make sure that the two sealing plugs are properly installed.
		The mop washing tray is not properly installed.	Check and ensure the mop washing tray is properly installed.
		The mop washing tray base gets dirty.	Detach and wash the mop washing tray base with water.
		Check if the floating ball gets stuck when there is no water in the mop washing tray base.	Take out the mop washing tray to put the floating ball back in place.
		The OMNI Station cannot drain water normally.	Place DEEBOT in the station. After ensuring it's charging, double tap  . If the issue persists, please contact customer service for assistance.
		The suction port of the mop washing tray is blocked by foreign objects.	Ensure that there is no foreign object in the suction port of the mop washing tray.
18	Dirty water box malfunction or frequent auto-wash.	The dirty water box is overly laden with dust.	Remove and empty the dirty water box, and then rinse it and reinstall. If this issue persists, please contact customer service for assistance.
		The drip tray is overly laden with dust.	Remove and empty the drip tray, and then rinse it and reinstall. If this issue persists, please contact customer service for assistance.

TECHNICAL SPECIFICATIONS

Model	DEX62
Rated Input	20V === 2A
Charging Time	About 3.5 h
Station Model	CH2497F
Rated Input	220-240V ~ 50-60Hz
Rated Output	20V === 2A
Rated Input Current (Charging)	0.5A
Power(Emptying)	650W
Power (Hot Water Washing Mop)	1650W
Frequency Bands	2400-2483.5 MHz
Networked Standby Power	Less than 2.00 W

Output power of the wireless module is less than 100 mW.

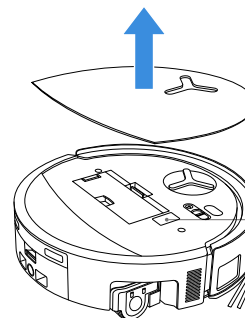
Based on product requirements (functionality and user experience), our products use a non-ultra-low power appliance architecture, so there is no off mode and no standby mode. After the machine is fully charged, it will enter the network standby mode within 20 minutes. Networked standby mode power is 1.9 W

Note: Technical and design specifications may be changed for continuous product improvement.

Explore more accessories at <https://www.ecovacs.com>.

Get the full version of the user guide

Please use the mobile camera to scan the QR code and obtain the user guide.



Please use the mobile camera to scan the QR code and obtain the user guide.

WICHTIGE SICHERHEITSHINWEISE

WICHTIGE SICHERHEITSHINWEISE

Bei Verwendung eines elektrischen Geräts sind stets grundlegende Vorsichtsmaßnahmen einzuhalten, wie z. B.:

VOR VERWENDUNG DES GERÄTS DIE GESAMTE ANLEITUNG LESEN DIESE ANLEITUNG AUFHEBEN

1. Dieses Gerät kann von Kindern ab 8 Jahren und Leuten mit eingeschränkten körperlichen, sensorischen oder geistigen Fähigkeiten oder wenig Erfahrung und Wissen verwendet werden. Voraussetzung ist, dass sie beaufsichtigt werden oder Anweisungen zur sicheren Verwendung des Geräts bekommen haben und die damit verbundenen Gefahren verstehen. Kindern ist das Spielen mit dem Gerät nicht erlaubt. Die Reinigung und Wartung darf nicht von Kindern ohne Aufsicht durchgeführt werden.
2. Räume den zu reinigenden Bereich frei. Entferne alle Stromkabel und kleinen Gegenstände vom Boden, in denen sich das Gerät verfangen könnte. Schiebe die Fransen des

Teppichs unter den Teppichrand und hebe Sachen wie Vorhänge und Tischdecken vom Boden hoch.

3. Bei einem Höhenunterschied im Reinigungsbereich durch eine Stufe oder Treppe ist das Gerät so zu steuern, dass es die Stufe erkennt, ohne über die Kante zu fallen. Ggf. ist die Kante mit einer physischen Barriere zu versehen, um ein Herunterfallen des Geräts zu verhindern. Sorge dafür, dass die physische Barriere keine Stolperfalle darstellt.
4. Verwende das Gerät nur gemäß dieser Anleitung. Verwende nur Zubehör, das vom Hersteller empfohlen oder verkauft wird.
5. NUR für den Gebrauch IM INNENBEREICH. Verwende das Gerät nicht draußen, in gewerblichen oder industriellen Umgebungen.
6. Benutze das Gerät nicht ohne Staubbehälter und/oder Filter.
7. Benutze das Gerät nicht in einem Bereich, in dem sich brennende Kerzen oder zerbrechliche Gegenstände befinden.
8. Halte Haare, lose Kleidung sowie Finger und andere Körperteile von allen Öffnungen und beweglichen Teilen fern.

9. Verwende das Gerät nicht in einem Raum, in dem ein Säugling oder Kind schläft.
10. Verwende und lagere das Gerät nicht in extrem heißen oder kalten Umgebungen (unter $-5\text{ }^{\circ}\text{C}$ oder über $40\text{ }^{\circ}\text{C}$). Lade den Roboter bei Temperaturen über $0\text{ }^{\circ}\text{C}$ und unter $40\text{ }^{\circ}\text{C}$ auf.
11. Verwende das Gerät nicht auf nassen Oberflächen oder Oberflächen mit stehendem Wasser.
12. Achte darauf, dass das Gerät keine größeren Gegenstände wie Steine, große Papierstücke oder andere Objekte einsaugt, die das Gerät verstopfen könnten.
13. Benutze das Gerät nicht, um entflammbare oder brennbare Materialien aufzusaugen, wie z. B. Benzin sowie Drucker- oder Kopiertoner, und benutze es nicht in Bereichen, in denen solche Materialien vorhanden sein könnten.
14. Benutze das Gerät nicht zum Aufsaugen von brennenden oder qualmenden Gegenständen wie Zigaretten, Streichhölzern, heißer Asche oder anderen Dingen, die einen Brand verursachen könnten.
15. Stecke keine Gegenstände in die Saugöffnung. Benutze das Gerät nicht, wenn die Saugöffnung blockiert ist. Halte die Saugöffnung frei von Staub, Flusen, Haaren und anderen Dingen, die den Luftstrom mindern könnten.
16. Ist das Stromkabel beschädigt, muss es nur vom Hersteller oder dessen Kundendienst ersetzt werden, um Gefahren zu vermeiden.
17. Schalte das Gerät vor der Reinigung oder Wartung aus.
18. Der für CH2497F passende Lithium-Akku hat maximal 4 Zellen, eine maximale Nennspannung von $14,4\text{ V}$ Gleichstrom und eine Nennkapazität von 5.800 mAh . Vor der Entsorgung des Geräts ist der Akku gemäß den örtlichen Gesetzen und Vorschriften zu entfernen und zu entsorgen.
19. Bitte entsorge Altakkus gemäß den vor Ort geltenden Gesetzen und Vorschriften.
20. Verbrenne das Gerät nicht – auch dann nicht, wenn es stark beschädigt ist. Die Akkus können bei einem Brand explodieren.
21. Das Gerät muss gemäß den Anweisungen in dieser Bedienungsanleitung verwendet werden. Ecovacs Home Service Robotics übernimmt keine Haftung oder Verantwortung für Schäden oder Verletzungen, die durch eine

- unsachgemäße Verwendung entstehen.
22. Der Roboter enthält Akkus, die nur von Fachleuten ausgetauscht werden dürfen. Wende dich bitte an den Kundendienst, um den Akku des Roboters austauschen zu lassen.
 23. Kontrolliere, dass die Spannung der Stromquelle mit der an der OMNI-Station angegebenen Spannung übereinstimmt.
 24. Verwende nur den Original-Akku und die OMNI-Station, die vom Hersteller mit dem Gerät geliefert wurden. Nicht wiederaufladbare Batterien dürfen nicht benutzt werden.
 25. Achte darauf, das Stromkabel nicht zu beschädigen. Ziehe nicht am Stromkabel, trage das Gerät oder die OMNI-Station nicht am Stromkabel, benutze das Stromkabel nicht als Griff, schließe keine Türen über dem Stromkabel und ziehe das Stromkabel nicht über scharfe Kanten oder Ecken. Stelle das Gerät nicht auf das Stromkabel. Halte das Stromkabel von heißen Oberflächen fern.
 26. Verwende die OMNI-Station nicht, wenn sie beschädigt ist. Das Netzteil darf weder repariert noch weiterverwendet werden, wenn es beschädigt oder defekt ist.
 27. Verwende das Gerät nicht mit einem defekten Stromkabel oder einer kaputten Steckdose. Verwende das Gerät oder die OMNI-Station nicht, wenn es nicht richtig funktioniert, heruntergefallen ist, beschädigt wurde, im Freien gelagert wurde oder mit Wasser in Berührung gekommen ist. Es muss vom Hersteller oder seinem Kundendienst repariert werden, um Gefahren zu vermeiden.
 28. Bevor du die OMNI-Station reinigst oder wartest, musst du den Stecker aus der Steckdose ziehen.
 29. Nimm das Gerät aus der OMNI-Station und schalte den Netzschalter des Geräts aus, bevor du zur Entsorgung des Geräts den Akku entnimmst.
 30. Wenn du die OMNI-Station über einen längeren Zeitraum nicht benutzt, zieh bitte den Netzstecker.
 31. Wenn der Roboter längere Zeit nicht benutzt wird, schalte ihn zur Lagerung aus und zieh den Stecker der OMNI-Station von der Steckdose ab.
 32. **ACHTUNG** – Fülle nur Frischwasser in den sauberen Tank.

33. WARNUNG: Verwende zum Aufladen des Akkus nur das mitgelieferte abnehmbare Netzteil CH2497F.

Um die Anforderungen zur HF-Strahlenbelastung zu erfüllen, ist beim Betrieb dieses Geräts ein Mindestabstand von 20 cm zwischen Gerät und Personen einzuhalten.



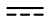



Um die Einhaltung der Vorschriften zu gewährleisten, wird von einem Betrieb mit geringerem Abstand abgeraten. Die für diesen Sender verwendete Antenne darf nicht in Verbindung mit anderen Antennen oder Sendern aufgestellt werden.

Geräte-Update

Die Geräte werden üblicherweise alle zwei Monate aktualisiert, allerdings werden diese Abstände nicht immer genau eingehalten.

Einige Geräte, besonders jene, die vor mehr als drei Jahren auf den Markt gekommen sind, werden nur aktualisiert, wenn eine wesentliche Schwachstelle ermittelt und behoben wird.

Um die aktuelle Softwareversion zu überprüfen und automatische Updates zu aktivieren, gehe in der App zu „Einstellungen“ > „Erweiterte Robotereinstellungen“ > „Über deinen Roboter“ > „Update“. Die aktuelle Version wird dort angezeigt; tippe auf „Aktualisieren“, um die Seite aufzurufen, und wähle „Automatische Aktualisierung“, um diese Funktion zu aktivieren.

	Achtung: heiße Oberfläche
	Kurzschlussfester Sicherheitstrenntransformator
	Schaltnetzteil
	Nur für Innenräume geeignet
	Gleichstrom
	Wechselstrom
	Vor dem Aufladen die Anleitung lesen.
	Polarität des Ladeanschlusses
	Zeitverzögerte Miniatur-Sicherungseinsätze

Die Fernüberwachung ist für die strikt ausschließliche Privatnutzung von nicht-öffentlichen, in Privatbesitz befindlichen Orten sowie nur zum reinen Selbstschutz und zur Einzelbedienung vorgesehen. Halte bei der Nutzung bitte die vor Ort geltenden Datenschutzgesetze ein. Es darf keine Überwachung von öffentlichen Plätzen erfolgen, insbesondere in illegaler Absicht und/oder seitens des Arbeitgebers ohne triftigen Grund. Eine solche nicht rechtmäßige Nutzung erfolgt ausschließlich auf Risiko und Verantwortung des Benutzers.

EU-Konformitätserklärung

Hinweise zur Entsorgung von Elektro- und Elektronikgeräten



Dieses Symbol auf dem Produkt oder der Verpackung weist darauf hin, dass gebrauchte elektrische und elektronische Geräte nicht mit dem unsortierten Hausmüll entsorgt werden dürfen. Für eine ordnungsgemäße Entsorgung sind Sie verpflichtet, Altgeräte einer geeigneten Sammelstelle zuzuführen.

Die ordnungsgemäße Entsorgung dieses Produkts trägt dazu bei, wertvolle Ressourcen zu sparen und mögliche negative Auswirkungen auf Umwelt und Gesundheit zu vermeiden, die bei unsachgemäßer Entsorgung anderenfalls auftreten könnten.

Geben Sie Ihr Altgerät über die Rückgabe- und Sammelysteme oder beim Händler, bei dem Sie das Produkt erworben haben, zurück. Diese Rückgabe ist kostenfrei. Für nähere Informationen zur nächstgelegenen Sammelstelle wenden Sie sich bitte an Ihre örtlichen Behörden.

Für die unsachgemäße Entsorgung dieses Abfalls können gemäß den nationalen Vorschriften Strafen anfallen.

Benutzerinformationen zur Entsorgung von Altakkus



Dieses Symbol bedeutet, dass Batterien und Akkus am Ende ihrer Lebensdauer nicht mit unsortiertem Hausmüll vermischt werden dürfen. Die Befolgung dieser Vorgabe trägt entscheidend dazu bei, die Auswirkungen von Batterien und Akkus auf die Umwelt und die menschliche Gesundheit zu minimieren. Für ein ordnungsgemäßes Recycling kannst du dieses Produkt und die darin enthaltenen Batterien oder Akkus kostenlos beim Händler oder bei einer hierfür vorgesehenen Sammelstelle abgeben. Die ordnungsgemäße Entsorgung dieses Produkts trägt dazu bei, wertvolle Ressourcen zu sparen und mögliche negative Auswirkungen auf Umwelt und Gesundheit zu vermeiden, die bei unsachgemäßer Entsorgung anderenfalls auftreten könnten. Für die unsachgemäße Entsorgung dieses Abfalls können gemäß den nationalen Vorschriften Strafen anfallen. Für die Entsorgung von Altbatterien und -akkus stehen separate Sammelbehälter zur Verfügung. Entsorge Batterien und Akkus bitte ordnungsgemäß bei der kommunalen Sammel-/Recyclingstelle vor Ort.

Beschränkung der Verwendung bestimmter gefährlicher Stoffe (RoHS-Richtlinie)

Ecovacs Home Service Robotics Co, Ltd. erklärt hiermit, dass das gesamte Produkt einschließlich aller Teile (Kabel, Leitungen usw.) den Anforderungen der RoHS-Richtlinie 2011/65/EU sowie der Delegierten Richtlinie (EU) 2015/863 zur Beschränkung der Verwendung bestimmter gefährlicher Stoffe in Elektro- und Elektronikgeräten („RoHS-Recast“ bzw. „RoHS 2.0“) entspricht.

Funksicherheitsrichtlinie

Ecovacs Home Service Robotics Co, Ltd. erklärt hiermit, dass das in diesem Abschnitt aufgeführte Produkt den grundlegenden Anforderungen und anderen einschlägigen Bestimmungen der Funksicherheitsrichtlinie 2014/53/EU entspricht.

Europa Bevollmächtigter Vertreter:



ECOVACS Europe GmbH
Holzstrasse 2 | D-40221 Düsseldorf | Deutschland

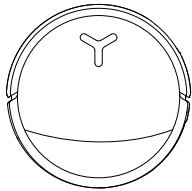
Ecovacs Home Service Robotics Co, Ltd. erklärt hiermit, dass das Produkt den grundlegenden Anforderungen und anderen einschlägigen Bestimmungen der RoHS-Richtlinie 2011/65/EU und der Änderung der Delegierten Richtlinie (EU) 2015/863 der Kommission, der Funksicherheitsrichtlinie 2014/53/EU, entspricht.

Die Konformitätserklärung kannst du hier einsehen:

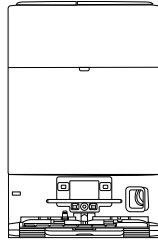
<https://www.ecovacs.com/global/compliance>

LIEFERUMFANG

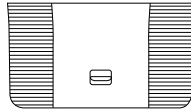
1 Packungsinhalt



DEEBOT



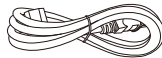
OMNI-Station



Basis



Bedienungs-
anleitung



Stromkabel

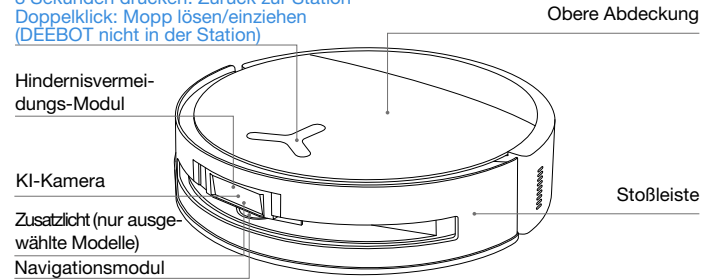
* Die Abbildungen in dieser Bedienungsanleitung dienen lediglich als Referenz und können vom Gerät abweichen. Änderungen des Produktdesigns und der technischen Daten sind ohne Vorankündigung möglich.

2 Produktdiagramm

1. DEEBOT Vorderansicht

Tasten an DEEBOT:

Drücken: Start/Pause/Weiter
3 Sekunden drücken: Zurück zur Station
Doppelklick: Mopp lösen/einziehen
(DEEBOT nicht in der Station)



2. DEEBOT Unteransicht

Fallschutzsensoren

Seitenbürste

Teppicherkennungssensor

Bürstenentriegelungstaste

Tropfschale

Auswechselbare Wischrolle

Universalrad

Hauptbürste

Antriebsräder

Fallschutzsensoren

3. Innenseite von DEEBOT (unter der oberen Abdeckung)

RESET-Taste

Netzwerkeinrichtung: Drücke die RESET-Taste und folge den Sprachansagen, um das Netzwerk einzurichten.

Standard-Einstellungen wiederherstellen: Drücke die RESET-Taste und halte sie 5 Sekunden lang gedrückt. Sobald du die Sprachansage hörst, geht die Startmusik los und DEEBOT wird auf die Standardeinstellungen zurückgesetzt. Durch das Zurücksetzen werden die vorhandenen Karten- und Reinigungseinstellungen gelöscht. Bitte mit Vorsicht verwenden.

WLAN-Statusanzeige/
RESET-Taste

Ladekontakte

Schmutzwasserbe-
hälter

Wasserfüllanschluss

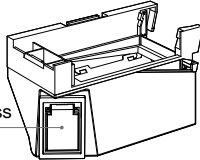
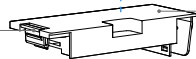
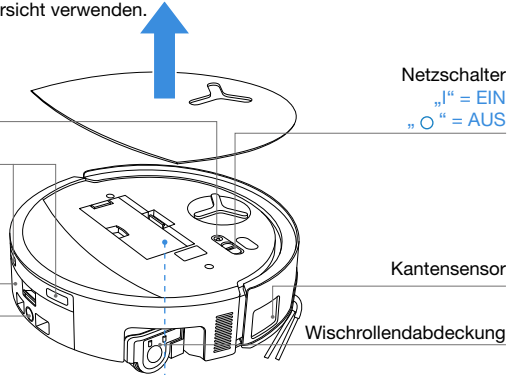
4. Staubbehälter

Filterverriegelung

Filter

Filternetz

Staubentleerungsanschluss



5. OMNI-Station

Schmutzwassertank

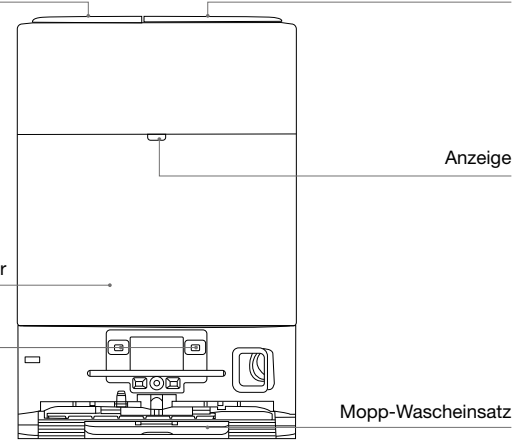
Frishwassertank

Anzeige

Staubauffangbehälter

Ladekontakte

Mopp-Wascheinsatz

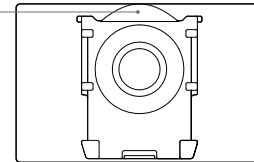


Hinweis:

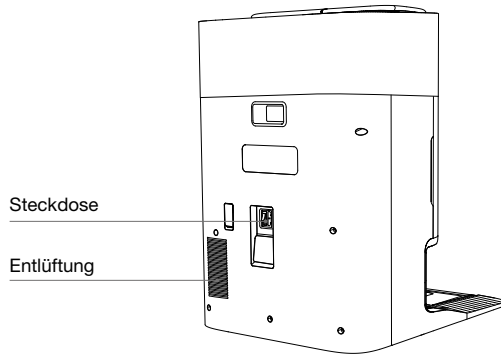
- Rot blinkend: Überprüfe die ECOVACS HOME App, um den Grund dafür zu finden.
- Wenn dein DEEBOT nicht aufgeladen wird, wisch die Ladekontakte mit einem sauberen, trockenen Tuch ab.

6. Staubbeutel

Staubbeutelgriff



7. OMNI-Station (Rückseite)



8. Anzeigeleuchte

Anzeige	Lichteffekt	Status
DEEBOT	Weiß pulsierend	Lädt
	Weiß einfarbig	Vollständig geladen/Lädt
	Rot	Akkuladestand niedrig
	Rot blinkend	Störung
Station	Weiß einfarbig	Standby/In Betrieb
	Rot blinkend	Störung
	Geht aus	Stromausfall/Tiefschlafmodus

9. Sensoren im Überblick

Name	Funktionelle Beschreibung
Navigationsmodul	Laser-Entfernungsmessung wird benutzt, um den Abstand zwischen DEEBOT und Sachen in der Umgebung zu messen. Das geht über die Zeit, die die Reflexion braucht. So kann das Modul die Umgebung kartieren, während DEEBOT unterwegs ist. Der Erfassungsbereich beträgt 10 m.
Hindernisvermeidungs-Modul	Infrarot-Entfernungsmessung und ähnliche Dreiecke werden benutzt, um die Entfernung zwischen den Sachen drumherum und DEEBOT zu messen. Wenn der Sensor ein Objekt in der Nähe sieht, dreht sich DEEBOT automatisch, um nicht dagegen zu stoßen. Der Erfassungsbereich beträgt 0,3 m.
Fallschutzsensoren	Beim Infrarot-Entfernungsmesser wird der Abstand zwischen der Unterseite von DEEBOT und dem Boden durch die Infrarotsensoren an der Unterseite gemessen. DEEBOT fährt nicht weiter, wenn er vor einer Treppe steht (z. B. wenn die weiße Fläche mindestens 55 mm hoch ist oder die schwarze Fläche mindestens 30 mm hoch ist) und die gemessene Höhe die eingestellte Höhe überschreitet. So wird die Absturzschutzfunktion aktiviert.
Teppicherkennungs-sensor	Der Sensor sendet 300-kHz-Ultraschallwellen aus, deren Energie vom Teppich absorbiert wird. Dadurch ist die reflektierte Energie niedriger als der Schwellenwert. DEEBOT erkennt dann, dass ein Teppich da ist. Im ECOVACS-Labor werden über 50 verschiedene Teppicharten, die es auf dem Markt gibt, getestet.
Antikollisionssensor	Dank dem Optokopplerschalter kann DEEBOT Hindernissen ausweichen, bevor es zu einer Kollision kommt.
Kantensensor	Mit Infrarot-Entfernungsmessung erkennt der Kantensensor den Abstand zwischen DEEBOT und Objekten an der Seite. Wenn rechts eine Wand oder Hindernisse sind, macht DEEBOT eine Kantenreinigung, um keine Stellen zu übersehen und Kollisionen zu vermeiden.
KI-Kamera	Verwende KI-Kameras, um Bilder der Umgebung aufzunehmen. Nimm Videos auf. Durch Interaktion mit MIC kann ein Videoanruf aus der Ferne gemacht werden (bei manchen Modellen).

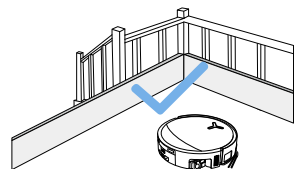
ERSTEINRICHTUNG UND VERWENDUNG

1 Hinweise vor der Reinigung



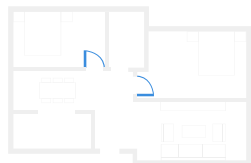
Bereite den zu reinigenden Bereich vor

Um die größtmögliche Reinigungsfläche zu erreichen, stelle Möbel wie Tische, Stühle und Standventilatoren an ihren richtigen Platz und räume niedrig liegende Gegenstände wie Waagen weg, bevor du DEEBOT verwendest.



Verhindere, dass DEEBOT herunterfällt

Platziere eine physische Barriere am Rand von Absturzstellen wie Treppen und Stufen, um zu verhindern, dass DEEBOT herunterfällt.



Öffne Türen und hilf DEEBOT beim Erkunden

Öffne alle Zimmertüren, damit DEEBOT bei der ersten Benutzung dein Haus komplett erkunden kann.



Entferne Sachen wie Kabel, Kleidung und Hausschuhe vom Boden, um die Reinigungseffizienz zu verbessern.



Bevor du das Produkt auf einem Teppich mit Fransen an den Rändern benutzt, falte die Fransen unter den Teppich.



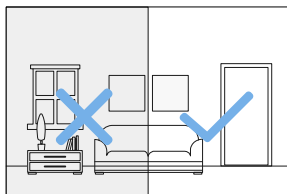
Halte dich nicht in engen Räumen wie Fluren auf, um das Navigationsmodul nicht zu blockieren.



Sorge für genug Beleuchtung

Stelle sicher, dass alle zu reinigenden Bereiche gut beleuchtet sind, damit die KI-Kamera von DEEBOT Hindernisse wie Schuhe, Socken und Kabel genau erkennen und umfahren kann.

Sorge dafür, dass die Kamera von DEEBOT klar sieht, und vermeide Kratzer oder Flecken auf dem KI-Kameraobjektiv durch Fingerabdrücke oder fettige Flecken. Die Kamera kann mit einem sauberen, weichen Tuch abgewischt werden. Reinigungsmittel, Waschmittel oder Sprays sind nicht nötig.

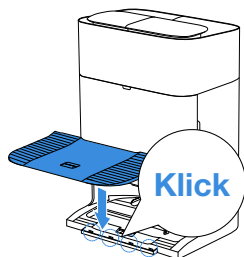


2 Schnellstart

Entferne vor der Verwendung alle Schutzmaterialien.

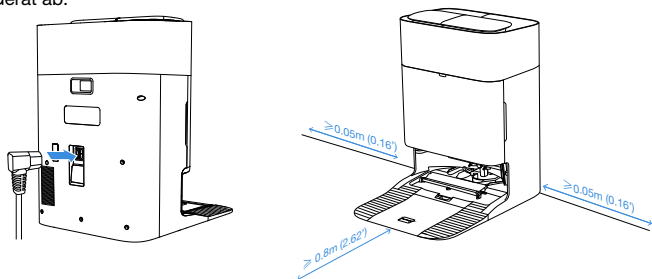
1. Installation

Das Klicken zeigt, dass alles richtig eingebaut ist.



2. Station aufbauen und positionieren

Stelle die OMNI-Station an einer Wand auf einer ebenen, harten Fläche auf. Stelle keine Gegenstände innerhalb von 0,05 m zu beiden Seiten und 0,8 m vor dem Gerät ab.



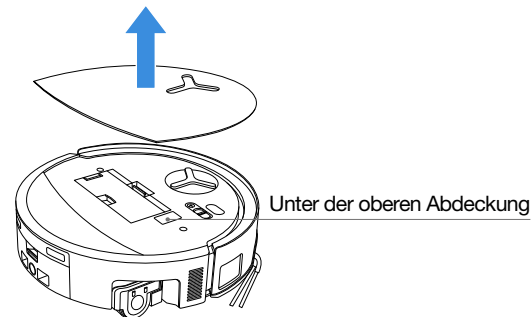
Hinweis:

- Wenn es in der Nähe der Station spiegelnde Sachen wie Spiegel oder reflektierende Sockelleisten gibt, sollten die unteren 14 cm dieser Objekte abgedeckt werden.
- Stelle die Station nicht in direktes Sonnenlicht oder in Umgebungen mit hohen Temperaturen.
- Stelle die Station an einem Ort mit starkem WLAN-Signal auf, damit der Benutzer ein besseres Erlebnis hat.
- Verwende das Gerät nicht auf nassen Oberflächen oder Oberflächen mit stehendem Wasser.
- Wische DEEBOT und die Station nicht mit einem feuchten Tuch ab und benutze keine Flüssigkeiten.

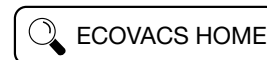
3 ECOVACS HOME APP herunterladen

Um alle verfügbaren Funktionen nutzen zu können, solltest du deinen DEEBOT über die ECOVACS HOME App steuern.

Scanne den QR-Code unter der oberen Abdeckung, um die App runterzuladen.


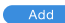


Oder suche im App Store oder bei Google Play nach „ECOVACS HOME“, um die App herunterzuladen.



Hinweis: Befolge die Anweisungen in der App, um die Registrierung, Anmeldung und Verbindung abzuschließen.

4 DEEBOT mit der App verbinden

Über Bluetooth: Schalte DEEBOT und das Bluetooth deines Handys ein. Erlaube der App, auf das Bluetooth deines Handys zuzugreifen. Tippe auf den QR-Code auf DEEBOT oder auf  oder  in der App, um DEEBOT in der Nähe zu finden.


Über WLAN: Du kannst DEEBOT auch über andere Methoden mit der App verbinden, indem du den Anweisungen auf der App-Seite folgst.

Hinweis: Für ein besseres Erlebnis verbinde dich bitte über Bluetooth.

Voraussetzungen für WLAN-Netzwerk:

- Du nutzt ein gemischtes Netzwerk mit 2,4 GHz oder 2,4/5 GHz.
- Dein Router unterstützt 802.11b/g/n und das IPv4-Protokoll.
- Keinen VPN- (Virtual Private Network) oder Proxy-Server verwenden.
- Kein verborgenes Netzwerk nutzen.
- WEP EAP (Enterprise Authentication Protocol) wird nicht unterstützt.
- Nutze die WLAN-Kanäle 1–11 in Nordamerika und die Kanäle 1–13 außerhalb Nordamerikas (siehe örtliche Genehmigungsbehörde).
- Wenn du einen Netzwerk-Extender/Repeater benutzt, sind der Netzwerkname (SSID) und das Passwort die gleichen wie bei deinem Hauptnetzwerk.
- Aktiviere WPA2 auf deinem Router.

WLAN-Anzeigeluchte

	Langsam blinkendes Weiß	Von WLAN getrennt
	Schnell blinkendes Weiß	Verbindung wird hergestellt
	Weiß einfarbig	Mit WLAN verbunden

Beachte bitte, dass du für intelligente Funktionen wie Fernstart, 2D/3D-Kartenanzeige und Steuerungseinstellungen sowie personalisierte Reinigung (je nach Gerät) die ECOVACS HOME App brauchst, die immer auf dem neuesten Stand ist. Damit wir wichtige und notwendige Daten von dir verarbeiten können, musst du unserer Datenschutzerklärung und Nutzungsvereinbarung zustimmen, bevor du bestimmte Funktionen der ECOVACS HOME App zur Steuerung des Geräts nutzen kannst. Wenn du mit unserer Datenschutzerklärung und der Nutzungsvereinbarung nicht einverstanden bist, stehen dir diese Funktionen nicht zur Verfügung. Die Grundfunktionen dieses Geräts kannst du aber trotzdem für den manuellen Betrieb nutzen.

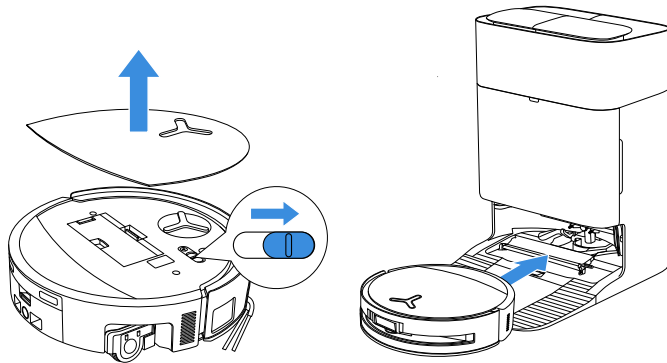
Netzwerkschnittstellen-Information

Name	Beschreibung
Infrarot-Interface	Das Infrarot-Interface ist standardmäßig deaktiviert und wird aktiviert, wenn sich der Roboter in der Ladestation befindet. Wenn sich DEEBOT in der Ladestation befindet, kommuniziert er über das Infrarot-Interface mit der Ladestation.
Bluetooth	Aktiviere Bluetooth, um den Roboter während der Netzwerkeinrichtung mit dem Netzwerk zu verbinden. Bluetooth nutzt den GAP1800-, GATT 1801- und 8888-Dienst für die sichere Konfiguration und Dateninteraktion.
WLAN*	Erleichtert die Datenübertragung zwischen der App und dem Roboter, damit man den Roboter über die App steuern kann.
ECOVACS HOME-App	Die Produkte von ECOVACS haben intelligente Funktionen wie Netzwerkeinrichtung, Kartierung und Auswahl des Reinigungsmodus (je nach Produkt). Um diese Funktionen zu nutzen, musst du die offizielle ECOVACS Home App herunterladen und verwenden.

* Die Roboterstaubsauger der DEEBOT-Serie sind für die Reinigung zu Hause gedacht. Voraussetzung für den Betrieb ist ein WLAN-Heimnetzwerk. Außerdem musst du über die Routeneinstellungen einen Anti-DDOS-Schutz einrichten.

5 DEEBOT einschalten und aufladen

Aktiviere den Netzschalter unter der Abdeckung von DEEBOT („I“ = EIN, „O“ = AUS), und stelle DEEBOT vor die Station, die an die Stromversorgung angeschlossen ist. Schiebe DEEBOT dann zurück zur Station.

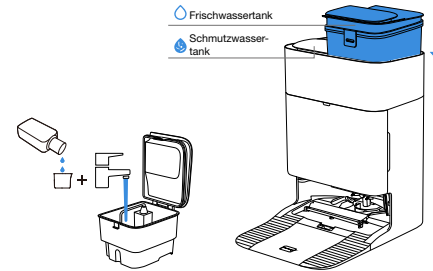


Hinweis:

- DEEBOT kann nicht aufgeladen werden, wenn er ausgeschaltet ist.
- Nach der Reinigung wird empfohlen, DEEBOT eingeschaltet und aufgeladen zu lassen, damit er für die nächste Reinigung bereit ist.
- Beginne mit der Reinigung von der Station aus. Bewege die Station während der Reinigung nicht.

6 Frischwassertank befüllen

Befülle den Frischwassertank mit sauberem Wasser. Füge mit dem Flaschenverschluss eine passende Menge Reinigungslösung im Verdünnungsverhältnis 1:200 hinzu. Befestige den Tankdeckel, schüttele den Tank leicht, um den Inhalt zu vermischen - und schon kannst du loslegen.



Hinweis:

- Wenn der Frischwassertank voll ist (ca. 4 l), gib eine Verschlusskappe Reinigungslösung (ca. 20 ml) hinein.
- Gib kein heißes Wasser hinein. Das könnte den Wassertank verformen.
- Wenn du noch Wasserflecken auf der Außenseite des Wassertanks siehst, wisch sie bitte mit einem weichen, trockenen Tuch ab, bevor du ihn wieder einsetzt.
- Geben Sie keine inoffiziellen Reinigungslösungen von ECOVACS hinzu, da diese das Produkt beschädigen könnten.
- Alle Wasserflecken im Wassertank stammen von Werkstests. Bitte benutzen Sie es mit Vertrauen.

7 DEEBOT bedienen

1. Kartenerstellung starten


Wenn du zum ersten Mal eine Karte erstellst, folge bitte DEEBOT, um bei kleineren Problemen zu helfen.

Beispielsweise kann DEEBOT unter Möbeln stecken bleiben. Hier sind die Lösungen:


① Erhöhe die niedrigen Möbel, wenn möglich; ② Decke die Unterseite der Möbel ab.

2. Reinigung starten


- Der Wassertank von DEEBOT wird automatisch über die Station aufgefüllt. Ein manuelles Nachfüllen ist nicht erforderlich.
- Beim Wischen erkennt DEEBOT die Bodenbeläge und kann die Wischrolle automatisch anheben, wenn er auf Teppiche trifft. Verwende DEEBOT nicht auf Langflorteppichen oder Teppichböden mit Fasern, die länger als 10 mm sind. Es ist besser, Langflorteppiche mit Fasern, die länger als 10 mm sind, während der Reinigung zusammenzufalten. Lege eine virtuelle Grenze in der ECOVACS HOME App fest.

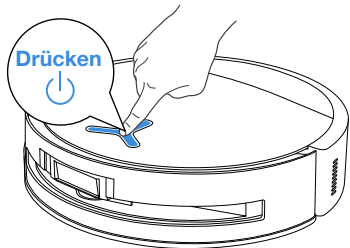
Stelle sicher, dass sich DEEBOT vor der ersten Reinigung in der Station befindet und vollständig aufgeladen ist. Tippe auf  auf DEEBOT, um loszulegen. Du kannst auch die ECOVACS HOME App zum Starten verwenden.

3. Pause


Tippe auf  auf DEEBOT, um ihn während des Betriebs anzuhalten. Du kannst DEEBOT auch über die ECOVACS HOME App pausieren.

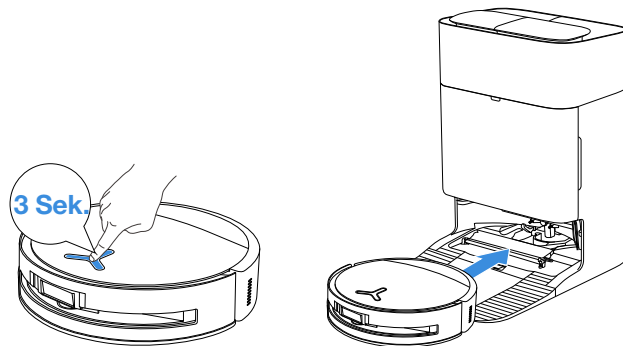
4. Aufwachmodus

Nach einer kurzen Pause erlöschen alle Anzeigeleuchten am DEEBOT. Um DEEBOT zu starten, drücke kurz die Taste  oder benutze die ECOVACS HOME App.



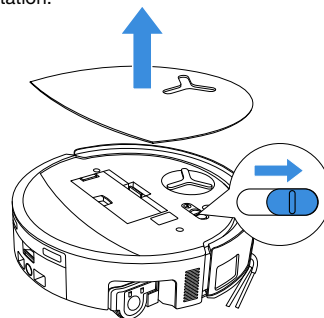
5. Zurück zur Station

Rufe DEEBOT über die ECOVACS HOME App zurück oder halte die Taste  am DEEBOT 3 Sekunden lang gedrückt, damit DEEBOT zum Aufladen an die Ladestation zurückkehrt.



6. Tiefschlafmodus

DEEBOT wechselt in den Tiefschlafmodus, wenn er länger als 10 Stunden außerhalb der Ladestation bleibt, um den Akku zu schonen. Schalte das Gerät aus und wieder ein, um DEEBOT zu aktivieren. Wenn er nicht reagiert, stelle DEEBOT zum Aufladen auf die Ladestation.



REGELMÄSSIGE WARTUNG

Wartungshäufigkeit

Damit dein DEEBOT optimal funktioniert, solltest du ihn regelmäßig warten und regelmäßig Komponenten austauschen:

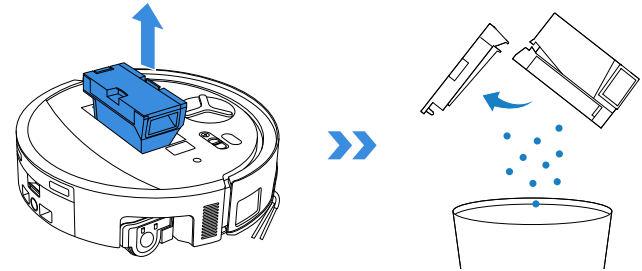
DEEBOT Komponente	Wartungshäufigkeit	Ersatzhäufigkeit
Waschbare Wischrolle	/	Alle 1-2 Monate
Schmutzwasserbehälter	Wöchentlich	/
Tropfschale	Wöchentlich	/
Staubbeutel	/	Wenn die App dazu auffordert
Seitenbürste	Alle 2 Wochen	Alle 3-6 Monate
Hauptbürste	Wöchentlich	Alle 6-12 Monate
Filter	Wöchentlich	Alle 3-6 Monate
Universalrad Fallschutzsensoren Kantensensor Stoßleiste Ladekontakte am DEEBOT Ladekontakte an der OMNI-Station Navigationsmodul Hindernisvermeidungs-Modul KI-Kamera	Ca. jeden Monat	/
Frischwassertank	Alle 3 Monate	/
Schmutzwassertank	Jeden Monat	/
Staubauffangbehälter	Jeden Monat	/
Korpus und Unterseite der Station	Jeden Monat	/
Mopp-Wascheinsatz	Alle 5 Monate	/

Entdecke mehr Zubehör in der ECOVACS HOME App oder unter <https://www.ecovacs.com>

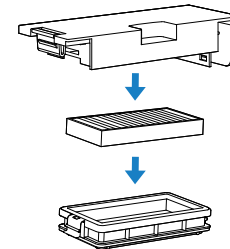
DEEBOT Wartung

1 Staubbehälter und Filter warten

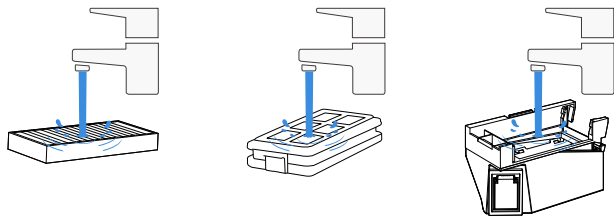
1. Entferne den Staubbehälter und leere ihn aus.



2. Öffne das Filternetz und entferne den Filter.



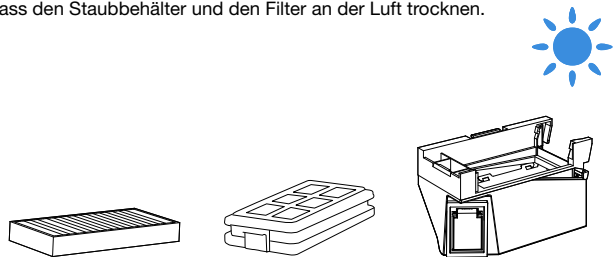
3. Spüle den Staubbehälter und den Filter mit Wasser ab und schüttele die Wassertropfen ab.



Hinweis:

- Spüle den Filter bitte wie abgebildet mit Wasser ab.
- Verwende zum Reinigen des Filters weder deine Finger noch eine Bürste.

4. Lass den Staubbehälter und den Filter an der Luft trocknen.



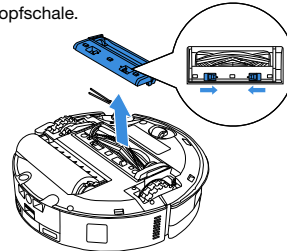
Hinweis: Trockne die Komponenten des Staubbehälters vor dem Gebrauch gründlich ab.

2 Hauptbürste und Seitenbürste warten

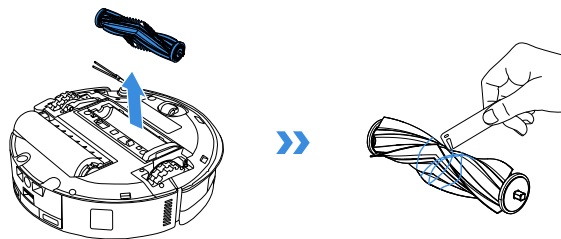
Reinige die Hauptbürste

1. Entferne die Abdeckung von der Hauptbürste.

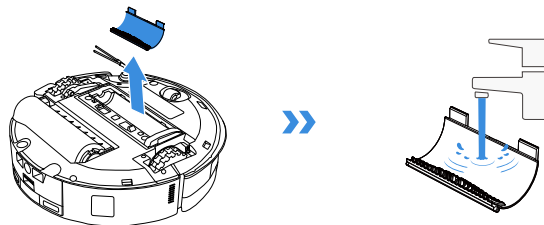
Hinweis: Bevor du DEEBOT umdrehst, entleere das restliche Wasser aus dem Schmutzwassertank und der Tropfschale.



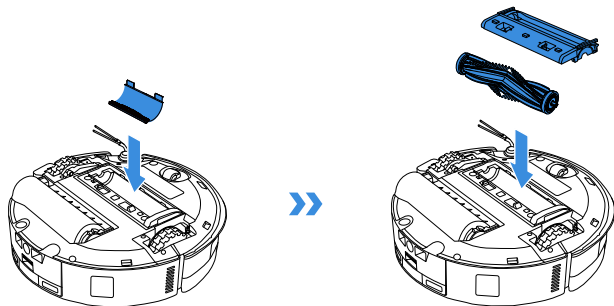
2. Entferne und reinige die Hauptbürste.



3. Entferne, reinige und trockne den Bürstenkamm.

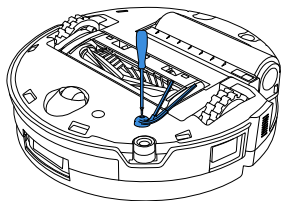


4. Setze den Bürstenkamm, die Hauptbürste und die Abdeckung ein.



Reinige die Seitenbürste

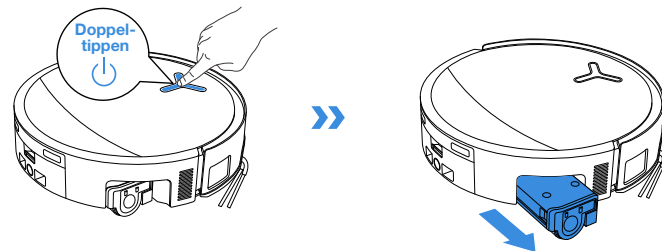
Entferne die Seitenbürste mit einem Schraubenzieher und reinige sie.



3 Wischrolle warten

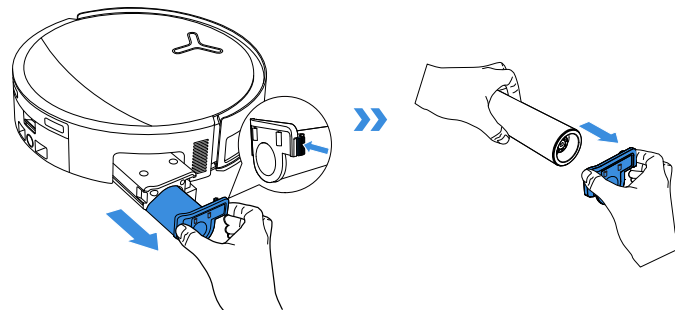
Reinige die Wischrolle

1. Tippe zweimal auf die Schaltfläche , um die Wischrollen-Komponente zu lösen.

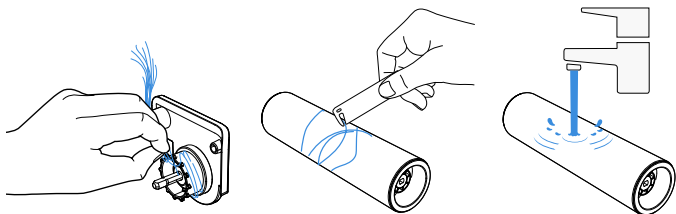


Hinweis: Ziehe nicht mit Gewalt an der Rolle, wenn sie eingezogen ist, da dies die Rolle beschädigen kann.

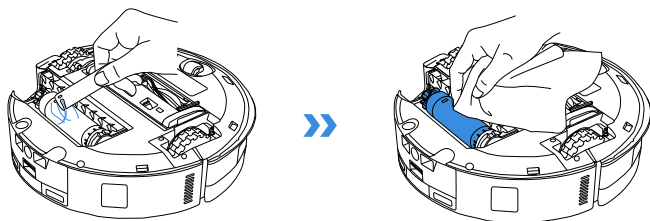
2. Drücke die seitliche Entriegelungstaste, um die Rolle zu entfernen.




3. Reinige die Wischrolle.

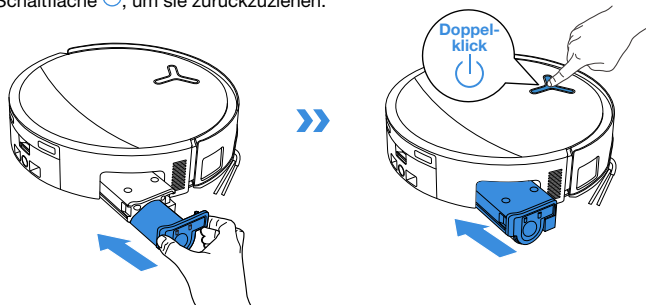


4. Reinige das Innere der Rolle.



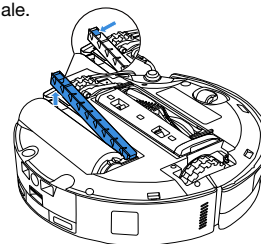
Hinweis: Wasche DEEBOT nicht mit Wasser.

5. Drücke die Wischrolle in die Wischrollenabdeckung und tippe zweimal auf die Schaltfläche , um sie zurückzuziehen.



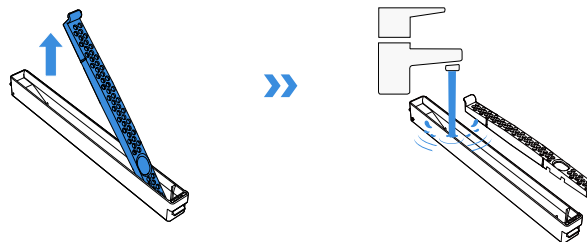
4 Tropfschale warten

1. Entferne die Tropfschale.

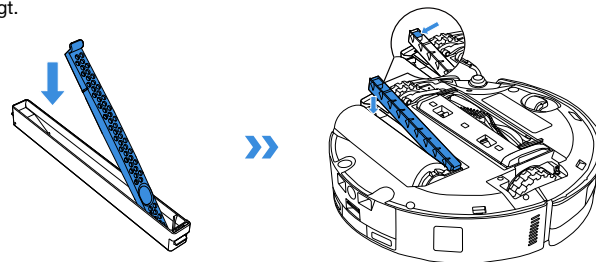


Hinweis: Wenn sich DEEBOT nicht im Trocknungsmodus befindet, kann beim Umdrehen eine geringe Menge Restwasser austreten.

2. Entferne und reinige die Komponenten der Tropfschale.

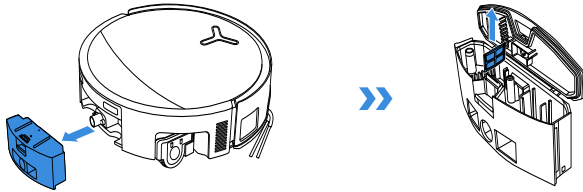


3. Bitte installiere die Filterkomponenten der Tropfschale wie in der Abbildung gezeigt.

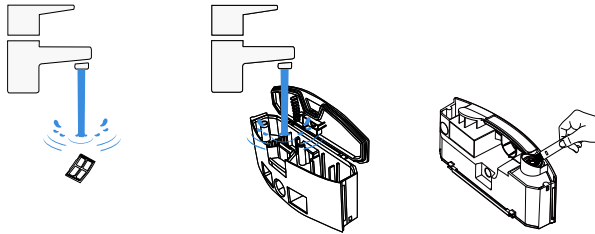


5 Schmutzwasserbehälter warten

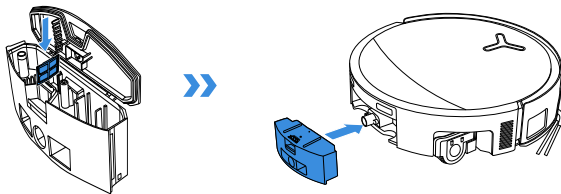
1. Entferne den Schmutzwasserbehälter und das Filternetz.



2. Reinige das Filternetz, den Behälter und den Abwasserauslass.



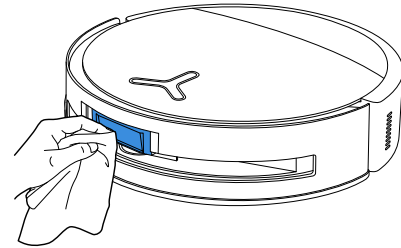
3. Setze den Filter wieder ein, drück ihn fest und bring dann den Deckel des Schmutzwasserbehälters wieder an.



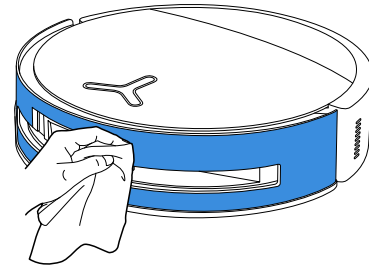
Schieben Sie den Deckel des Schmutzwasserbehälters fest in die angegebene Richtung, bis seine Fläche bündig mit der Oberkante des Behälters abschließt und ein dichter Verschluss gewährleistet ist.

6 Andere Komponenten warten

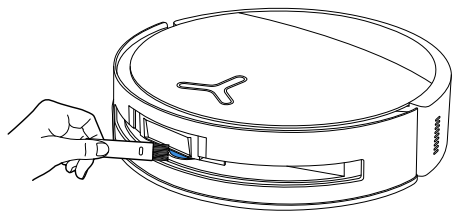
Reinige die Linse des Hindernisvermeidungs-Moduls



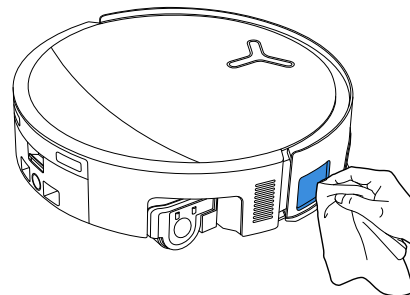
Reinige die Stoßstange



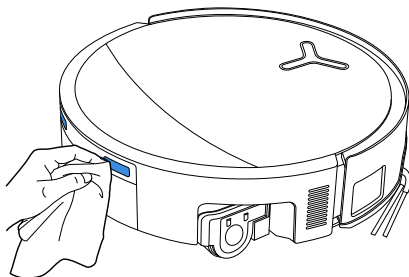
Reinige das Navigationsmodul



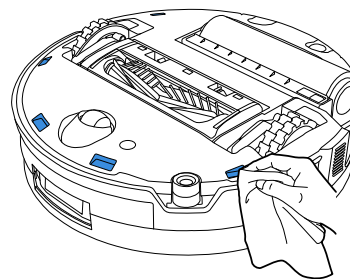
Reinige den Kantensensor



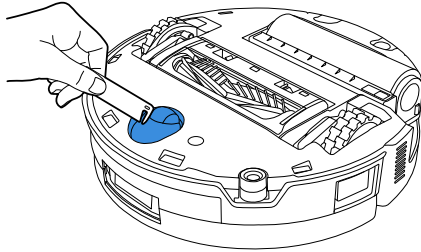
Reinige die Ladekontakte



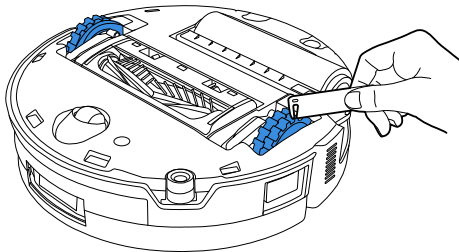
Reinige die Fallschutzsensoren



Reinige das Universalsrad



Reinige die Antriebsräder



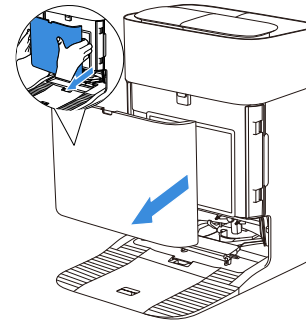
Hinweis:

- Entdecke mehr Zubehör in der ECOVACS HOME App oder unter <https://www.ecovacs.com>.
- Wische die Komponenten mit einem sauberen, trockenen Tuch ab. Verwende niemals ein feuchtes Tuch. Verwende keine Reinigungssprays oder Reinigungsmittel.

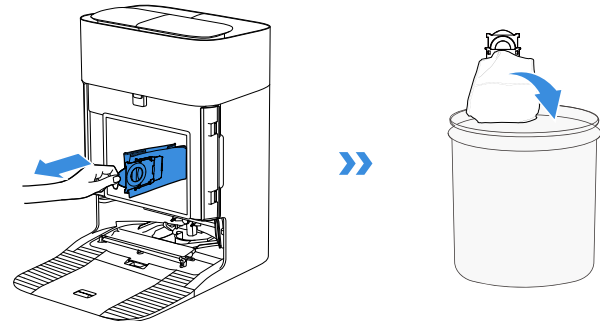
Stationswartung

1 Staubbehälter warten

1. Entferne die Abdeckung des Staubauffangbehälters.

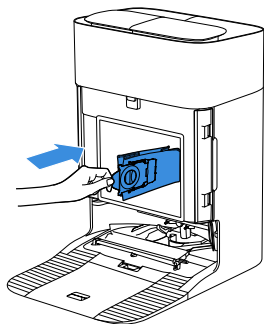


2. Entferne den Einweg-Staubbeutel in Pfeilrichtung und entsorge ihn.

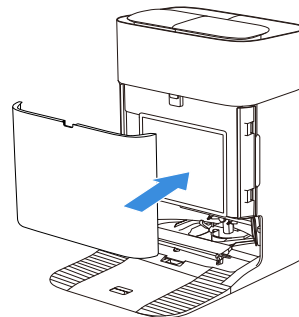


Hinweis: Halte den Griff fest, um den Staubbeutel herauszunehmen, damit kein Staub austritt.

3. Wische den Staubfangbehälter mit einem trockenen Tuch ab und setze einen neuen Staubbeutel ein.

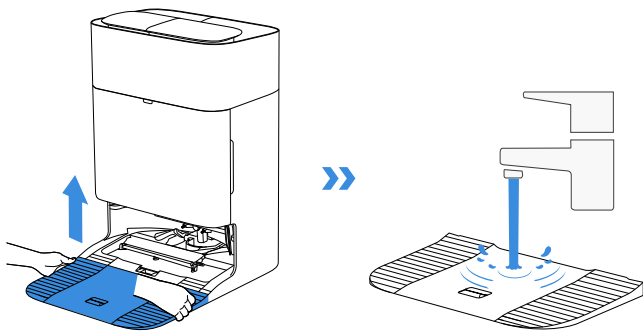


4. Setze die obere Verriegelung der Abdeckung des Staubfangbehälters in die Aussparung ein und drücke sie nach unten, um sicherzustellen, dass sie richtig abdichtet.

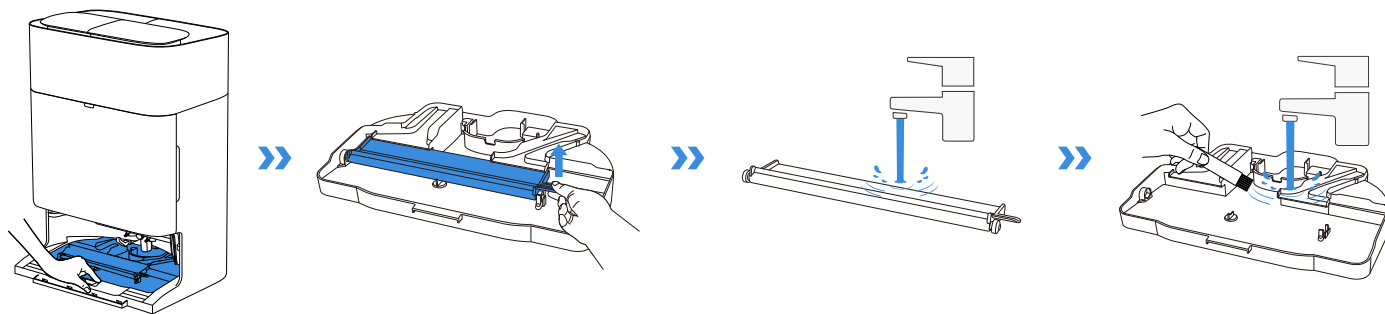


2 Mopp-Wascheinheit warten

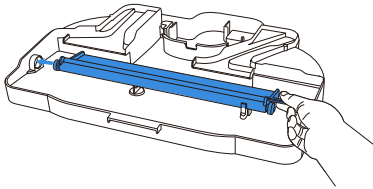
1. Entferne und reinige die Stationsbasis.



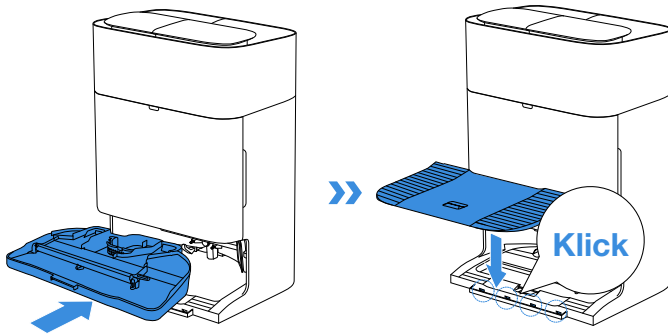
2. Entferne und reinige den Mopp-Wascheinheit und die Auffangschale.



3. Setze die Auffangschale ein.



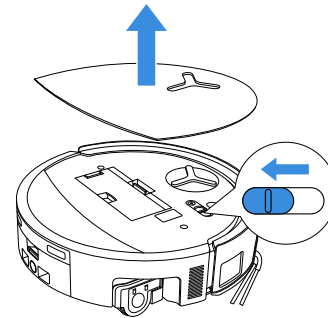
4. Setze den Mopp-Wascheinsatz und die Basis ein.



Hinweis: Bitte setze die Schale und die Basis richtig ein, damit alles ordnungsgemäß funktioniert.

3 Speicher

Lade DEEBOT vollständig auf und schalte ihn aus, bevor du ihn verstaust. Lade den Akku alle 1,5 Monate auf, um eine Überentladung zu vermeiden.



! Beachte bitte, dass DEEBOT im ausgeschalteten Zustand nicht aufgeladen werden kann.


Hinweis:

- Wenn DEEBOT seine Reinigungsaufgabe erledigt hat, solltest du ihn nicht ausschalten, sondern aufladen, damit er für die nächste Reinigung bereit ist.
 - Wenn der Akku übermäßig entladen ist oder du ihn lange nicht benutzt hast, kann DEEBOT vielleicht nicht aufgeladen werden.
- Bitte wende dich an ECOVACS, wenn du Hilfe benötigst. Demontiere den Akku nicht selbst.
- Wenn du das Produkt längere Zeit nicht benutzt, solltest du den Schmutzwasserbehälter und die Wassertanks entleeren und den Wischmopp trocken halten.

FEHLERBEHEBUNG


Für das folgende mögliche Problem siehe die entsprechenden Lösungen.

Nr.	Störung	Mögliche Ursache	Lösung
1	DEEBOT kann keine Verbindung zur ECOVACS HOME App herstellen.	Falscher WLAN-Benutzername oder falsches WLAN-Passwort eingegeben.	Gib den richtigen WLAN-Benutzernamen und das richtige Passwort ein.
		DEEBOT befindet sich außerhalb der Reichweite deines Heim-WLANs.	Stelle sicher, dass sich DEEBOT in Reichweite deines Heim-WLANs befindet. Versuche, so nah wie möglich am Router zu bleiben.
		DEEBOT befindet sich nicht im Konfigurationsmodus.	Drücke die Reset-Taste, um DEEBOT über Bluetooth mit deinem Smartphone zu verbinden. Wenn das nicht klappt, verbinde dich bitte erneut über die ECOVACS HOME App.
		Es gibt kein Heim-WLAN in der WLAN-Liste.	1. Überprüfe, ob der WLAN-Name Sonderzeichen enthält. Bitte verwende keine Sonderzeichen wie! @#& ¥%^\. 2. Benutze kein 5-GHz-Netzwerk.
		Es ist eine falsche App installiert.	Lade die ECOVACS HOME App herunter und installiere sie.
2	Ich kann die Möbelkarte in der App nicht erstellen.	Wenn DEEBOT während der Reinigung bewegt wird, kann die Karte verloren gehen.	Bewege DEEBOT während der Reinigung nicht.
		Die automatische Reinigung ist noch nicht abgeschlossen.	Stelle sicher, dass DEEBOT nach der Reinigung automatisch zur OMNI-Station zurückkehrt.
		Der Mehretagen-Modus war bei der zweiten Kartenerstellung nicht aktiviert.	Bitte aktiviere den Mehretagen-Modus in der App.
3	Die Seitenbürste fällt während des Gebrauchs aus ihrer Halterung.	Die Seitenbürste ist nicht richtig installiert.	Achte beim Anbringen der Seitenbürste mit einem Schraubendreher darauf, dass die Schraube fest angezogen ist.
4	Kein Signal gefunden. Rückkehr zur Station nicht möglich.	Die OMNI-Station ist falsch platziert.	Platziere die Station richtig, wie in den Anweisungen im Abschnitt [DEEBOT einschalten und aufladen] beschrieben.
		Die OMNI-Station hat keinen Strom oder wurde bewegt.	Überprüfe, ob die OMNI-Station an das Netzteil angeschlossen ist. Bewege die OMNI-Station nicht.
		DEEBOT beginnt nicht mit der Reinigung von der OMNI-Station aus.	Es wird empfohlen, dass DEEBOT die Reinigung von der OMNI-Station aus startet.
		Die Andockroute ist blockiert. Beispielsweise ist die Tür zu dem Raum, in dem sich die OMNI-Station befindet, geschlossen.	Halte den Ladeweg frei.

Nr.	Störung	Mögliche Ursache	Lösung
5	DEEBOT kehrt zur OMNI-Station zurück, bevor die Reinigung abgeschlossen ist.	Der Raum ist so groß, dass DEEBOT zum Aufladen zurückkehren muss.	Bitte aktiviere die automatische Wiederaufnahme. Weitere Informationen findest du in den Anweisungen der App.
		Bei sehr komplizierten Grundrissen kann die Reinigungseffizienz nachlassen, was zu einer unvollständigen Reinigung führen kann.	Gestalte den Grundriss der Wohnung einfacher.
6	DEEBOT kann nicht aufgeladen werden.	DEEBOT ist nicht eingeschaltet.	Schalte DEEBOT ein.
		Die Ladekontakte von DEEBOT sind nicht mit den Ladekontakten der OMNI-Station verbunden.	Stelle sicher, dass die Ladekontakte von DEEBOT mit den Ladekontakten der Station verbunden sind und  blinkt. Überprüfe, ob die Ladekontakte von DEEBOT und OMNI-Station verunreinigt sind. Reinige diese Komponenten bitte wie im Abschnitt [REGELMASSIGE WARTUNG] beschrieben.
		Die OMNI-Station ist nicht an das Netzteil angeschlossen.	1. Stelle sicher, dass die OMNI-Station an das Netzteil angeschlossen ist. 2. Sobald die Stromversorgung vorhanden ist, solltest du sicherstellen, dass du das Startgeräusch des Motors hörst.
		Die Basis wurde nicht an ihrem Platz installiert.	Informationen zur korrekten Installation findest du im Abschnitt [Schnellstart] .
7	DEEBOT ist während der Reinigung sehr laut.	Die Hauptbürste/Seitenbürste ist verheddert oder der Staubbehälter/Filter ist verstopft.	Es wird empfohlen, die Hauptbürste, die Seitenbürste, den Staubbehälter, die Wischrolle, den Filter usw. regelmäßig zu reinigen.
		DEEBOT befindet sich im Modus „Starke Saugkraft“ oder „Maximale Saugkraft“.	Wechsle zum Standardmodus.
8	DEEBOT bleibt während des Betriebs stecken und stoppt.	DEEBOT hat sich in Gegenständen auf dem Boden (Elektrokabel, Vorhänge, Teppichfransen usw.) verheddert.	DEEBOT wird verschiedene Möglichkeiten ausprobieren, um sich zu befreien. Wenn die Versuche fehlschlagen, entferne die Hindernisse manuell und starte neu.
		DEEBOT könnte unter Möbeln mit einer ähnlichen Höhe feststecken.	Erhöhe die Möbel, richte eine physische Barriere ein oder setze über die ECOVACS HOME App eine virtuelle Grenze.
		DEEBOT steckt in einem engen Bereich fest.	Bringe Ordnung in dein Zuhause, richte eine physische Barriere ein oder setze über die ECOVACS HOME App eine virtuelle Grenze.

Nr.	Störung	Mögliche Ursache	Lösung
9	Während der Reinigung kann es bei DEEBOT zu Problemen wie einer unregelmäßigen Route, einseitigen Bewegungen, wiederholter Reinigung derselben Stellen und fehlenden kleinen Bereichen kommen. (Wenn ein großer Bereich vorübergehend nicht gereinigt wurde, macht sich DEEBOT automatisch daran, den übersehenen Bereich zu reinigen. Manchmal geht DEEBOT nochmal in einen schon gereinigten Raum. Das bedeutet aber nicht, dass er nochmal putzt, sondern dass er einen übersehenen Bereich gefunden hat.)	Gegenstände wie Kabel und Hausschuhe, die auf dem Boden liegen, blockieren DEEBOT.	Bitte räume vor der Reinigung verstreute Kabel, Hausschuhe und andere Gegenstände auf dem Boden so weit wie möglich auf. Wenn beim Reinigen ein Bereich übersehen wurde, korrigiert DEEBOT dies automatisch. Vermeide es, DEEBOT zu stören (z. B. indem du ihn bewegst oder seinen Weg blockierst).
		Die Antriebsräder können auf dem Boden durchrutschen, wenn DEEBOT Stufen, Schwellen und Türleisten hochfährt, was seine Einschätzung der gesamten Wohnumgebung beeinträchtigen kann.	Es ist besser, die Tür des betroffenen Bereichs zu schließen und ihn separat zu reinigen. Nach der Reinigung kehrt DEEBOT zu seinem Startpunkt zurück.
		Auf frisch gewachsenen oder polierten Böden sowie auf glatten Fliesen kann es zu einer geringeren Reibung zwischen den Antriebsrädern und dem Boden kommen.	Warte, bis das Wachs getrocknet ist, bevor du es reinigst.
		Aufgrund unterschiedlicher Raumaufteilungen kann DEEBOT einige Bereiche nicht befahren.	Räume dein Zuhause auf, damit DEEBOT die zu reinigenden Bereiche erreichen kann.
10	Verzögerung bei der Fernsteuerung.	Das WLAN-Signal ist schlecht, wodurch das Laden des Videos langsam ist.	Verwende DEEBOT in Bereichen mit einem guten WLAN-Signal.
11	Nachdem DEEBOT zur OMNI-Station zurückgekehrt ist, leert er seinen Staubbehälter nicht.	Die Auto-Entleerungs-Funktion wurde in der ECOVACS HOME App nicht aktiviert.	Aktiviere die Auto-Entleerungs-Funktion in der ECOVACS HOME App.
		Wenn du DEEBOT manuell zur Station zurückbringst, wird die automatische Auto-Entleerungs-Funktion nicht aktiviert.	Es wird empfohlen, DEEBOT selbstständig zur OMNI-Station zurückkehren zu lassen. Bitte verschiebe ihn nicht manuell.
		Im Ruhemodus leert DEEBOT den Staubbehälter nicht, nachdem er zur OMNI-Station zurückgekehrt ist.	Deaktiviere den Ruhemodus in der ECOVACS HOME App oder starte das Entleeren des Staubbehälters manuell.
		Die Station erkennt einen Rückgang der Leerlaufleistung.	Wechsle den Staubbeutel wie im Abschnitt [REGELMÄSSIGE WARTUNG] beschrieben und schließe den Staubauffangbehälter. Sollte der Staubbeutel nicht voll sein, wenn die App dich dazu auffordert, kannst du ihn einfach wieder einsetzen.
		Überprüfe, ob der Staubbehälter voll ist und eine Verstopfung verursacht.	Reinige den Staubbehälter wie im Abschnitt [REGELMÄSSIGE WARTUNG] beschrieben.
		Wenn die oben genannten möglichen Ursachen ausgeschlossen wurden, können Komponenten der Station fehlerhaft sein.	Bitte wende dich an den Kundendienst, um Hilfe zu erhalten.

Nr.	Störung	Mögliche Ursache	Lösung
12	Auto-Entleerung fehlgeschlagen.	Die Station erkennt einen Rückgang der Leerlaufleistung.	Wechsle den Staubbeutel wie im Abschnitt [REGELMÄSSIGE WARTUNG] beschrieben und schließe den Staubauffangbehälter. Sollte der Staubbeutel nicht voll sein, wenn die App dich dazu auffordert, kannst du ihn einfach wieder einsetzen.
		Der Auslass des Staubbehälters ist durch Fremdkörper verstopft.	Entferne den Staubbehälter und befreie den Auslass von Fremdkörpern.
13	Die Innenseite des Staubauffangbehälters ist verschmutzt.	Feine Partikel gelangen durch den Staubbeutel und sammeln sich an der Innenseite des Staubauffangbehälters an.	Reinige die Innenseite des Staubauffangbehälters.
		Der Staubbeutel ist gebrochen.	Überprüfe und tausche den Staubbeutel aus.
		Staubbeutel ist nicht richtig eingesetzt.	Bitte setze den Staubbeutel ordnungsgemäß ein.
		Die Abdeckung des Staubauffangbehälters ist nicht geschlossen.	Bitte überprüfe, ob die Abdeckung des Staubauffangbehälters ordnungsgemäß geschlossen ist.
14	Während DEEBOT reinigt, tritt Staub aus.	Der Auslass des Staubbehälters ist durch Fremdkörper verstopft.	Entferne den Staubbehälter und befreie den Auslass von Fremdkörpern.
15	Die Wischrolle dreht sich nicht.	Die Wischrolle ist nicht richtig installiert.	Installiere die Wischrolle ordnungsgemäß gemäß dem Abschnitt [REGELMÄSSIGE WARTUNG] .
		Die Wischrolle ist durch Fremdkörper blockiert.	Reinige und installiere die Wischrolle ordnungsgemäß gemäß dem Abschnitt [REGELMÄSSIGE WARTUNG] .
16	Das Antriebsrad klemmt.	Das Antriebsrad ist aufgrund von Fremdkörpern blockiert oder klemmt.	Drehe das Antriebsrad und drücke drauf, um zu überprüfen, ob sich Fremdkörper darum gewickelt haben oder es blockieren. Wenn Fremdkörper gefunden werden, reinige diese bitte umgehend. Wenn dieses Problem weiterhin besteht, wende dich bitte an den Kundendienst, um Hilfe zu erhalten.

Nr.	Störung	Mögliche Ursache	Lösung
17	Der Mopp-Wascheinsatz ist voll mit Wasser und kann nicht geleert werden. Eine Sprachansage meldet die Fehlfunktion des Mopp-Wascheinsatzes.	Der Schmutzwassertank ist möglicherweise nicht eingesetzt.	Drücke auf den Schmutzwassertank, um sicherzustellen, dass er richtig installiert ist.
		Die Verschlussstopfen im Schmutzwassertank sind nicht ordnungsgemäß installiert.	Stelle sicher, dass die beiden Verschlussstopfen ordnungsgemäß installiert sind.
		Der Mopp-Wascheinsatz ist nicht ordnungsgemäß installiert.	Überprüfe, ob der Mopp-Wascheinsatz richtig installiert ist.
		Der Boden des Mopp-Wascheinsatzes verschmutzt.	Entferne den Boden des Mopp-Wascheinsatzes und spüle ihn mit Wasser ab.
		Überprüfe, ob die Schwimmkugel feststeckt, wenn sich kein Wasser in der Basis des Mopp-Wascheinsatzes befindet.	Entferne den Mopp-Wascheinsatz, um die Schwimmkugel wieder einzusetzen.
		Die OMNI-Station kann Wasser nicht normal ablassen.	Stelle DEEBOT in die Station. Nachdem du sichergestellt hast, dass er aufgeladen wird, tippe zweimal auf  . Wenn das Problem weiterhin besteht, wende dich bitte an den Kundendienst, um Hilfe zu erhalten.
		Die Ansaugöffnung des Mopp-Wascheinsatzes ist durch Fremdkörper verstopft.	Stelle sicher, dass sich keine Fremdkörper in der Ansaugöffnung des Mopp-Wascheinsatzes befinden.
		Der Sprachalarm bleibt auch nach dem Ausprobieren aller oben genannten Lösungen bestehen.	Schalte die Station aus und wieder ein. Wenn dieses Problem weiterhin besteht, wende dich bitte an den Kundendienst, um Hilfe zu erhalten.
18	Funktionsstörung des Schmutzwasserbehälters oder häufiges automatisches Waschen.	Der Schmutzwasserbehälter ist mit Staub überladen.	Entferne und leere den Schmutzwasserbehälter, spüle ihn aus und setze ihn wieder ein. Wenn dieses Problem weiterhin besteht, wende dich bitte an den Kundendienst, um Hilfe zu erhalten.
		Die Tropfschale ist übermäßig mit Staub beladen.	Entferne die Tropfschale, leere sie aus, spüle sie ab und setze sie wieder ein. Wenn dieses Problem weiterhin besteht, wende dich bitte an den Kundendienst, um Hilfe zu erhalten.

TECHNISCHE DATEN

Modell	DEX62
Nennleistung	20 V === 2A
Ladezeit	ca. 3,5 h
Station-Modell	CH2497F
Nennleistung	220–240 V, –, 50–60 Hz
Nennausgang	20 V === 2A
Nenn-Eingangsstrom (Laden)	0,5 A
Leistung (Entleerung)	650W
Leistung (Heißwasser-Waschmopp)	1.650 W
Frequenzbänder	2400–2483,5 MHz
Vernetzte Standby-Stromversorgung	Weniger als 2,00 W

Die Ausgangsleistung des Funkmoduls ist unter 100 mW.

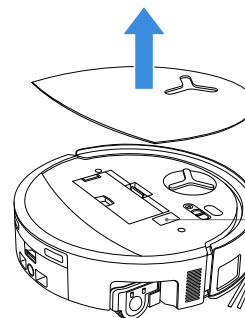
Aufgrund der Anforderungen (Funktionalität und Benutzererfahrung) haben unsere Produkte keine Super-Energiespar-Architektur, also gibt es keinen Aus-Modus und keinen Standby-Modus. Nachdem das Gerät vollständig aufgeladen ist, wechselt es innerhalb von 20 Minuten in den Netzwerk-Standby-Modus. Die Leistungsaufnahme im vernetzten Standby-Modus beträgt 1,9 W

Hinweis: Die technischen Daten und Design können im Rahmen kontinuierlicher Produktverbesserungen geändert werden.

Weitere Zubehörteile finden Sie unter: <https://www.ecovacs.com>.

Hol dir die Vollversion der Bedienungsanleitung

Scanne den QR-Code mit deiner Handykamera, um die Bedienungsanleitung zu erhalten.



Scanne den QR-Code mit deiner Handykamera, um die Bedienungsanleitung zu erhalten.

INSTRUCTIONS IMPORTANTES EN MATIÈRE DE SÉCURITÉ

INSTRUCTIONS IMPORTANTES EN MATIÈRE DE SÉCURITÉ

Lors de l'utilisation d'un appareil électrique, des précautions de base doivent toujours être prises, notamment les suivantes :

CONSULTER TOUTES LES INSTRUCTIONS AVANT D'UTILISER CET APPAREIL ENREGISTRER CES INSTRUCTIONS

1. Cet appareil peut être utilisé par des enfants âgés de 8 ans et plus et par des personnes dont les capacités physiques, sensorielles ou mentales sont réduites ou qui manquent d'expérience et de connaissances, à condition qu'elles soient sous surveillance ou aient reçu des instructions concernant l'utilisation de l'appareil en toute sécurité et qu'elles comprennent les risques encourus. Il est interdit aux enfants de jouer avec l'appareil. Le nettoyage et l'entretien par l'utilisateur ne doivent pas être effectués par des enfants sans surveillance.
2. Dégagez la zone à nettoyer. Retirez les cor-

dons d'alimentation et les petits objets au sol qui risquent de s'emmêler dans l'appareil. Rangez les franges du tapis sous la base du tapis et surélevez les objets tels que les rideaux et les nappes par rapport au sol.

3. Si la zone de nettoyage présente une dénivellation due à une marche ou à un escalier, vous devez faire fonctionner l'appareil de manière à ce qu'il puisse détecter la marche sans tomber par-dessus bord. Il peut s'avérer nécessaire de placer une barrière physique sur le bord pour empêcher l'unité de tomber. Assurez-vous que la barrière physique ne constitue pas un risque de trébuchement.
4. Utilisez la machine comme décrit dans le mode d'emploi. N'utilisez que les accessoires recommandés ou vendus par le fabricant.
5. Pour une utilisation en INTÉRIEUR UNIQUEMENT. N'utilisez pas l'appareil dans un environnement extérieur, commercial ou industriel.
6. Le bac à poussière et/ou les filtres doivent être en place lors de l'utilisation de la machine.
7. Ne faites pas fonctionner l'appareil à proximité de bougies allumées ou d'objets fragiles.
8. Tenir les cheveux, les vêtements amples, les

doigts et toutes les parties du corps à l'écart des ouvertures et des pièces mobiles.

9. N'utilisez pas l'appareil dans une pièce où un bébé ou un enfant dort.
10. N'utilisez pas ni ne rangez l'appareil dans des environnements extrêmement chauds ou froids (moins de -5 °C /23 °F ou plus de 40 °C/104 °F). Veuillez recharger le robot dans une pièce dont la température est comprise entre 0 °C/32 °F et 40 °C/104 °F.
11. N'utilisez pas l'appareil sur des surfaces humides ou recouvertes d'eau stagnante.
12. Ne laissez pas l'appareil ramasser de gros objets tels que des pierres, de grands morceaux de papier ou tout autre objet susceptible d'obstruer l'appareil.
13. N'utilisez pas l'appareil pour ramasser des matériaux inflammables ou combustibles tels que de l'essence, du toner d'imprimante ou de photocopieuse et ne l'utilisez pas dans des zones où ils peuvent être présents.
14. N'utilisez pas l'appareil pour ramasser des objets brûlants ou fumants, tels que des cigarettes, des allumettes, des cendres chaudes ou tout autre objet susceptible de provoquer un incendie.
15. Ne pas introduire d'objets dans la prise d'aspiration. Ne pas utiliser si la prise d'aspiration est bloquée. Veillez à ce que la prise d'air soit exempte de poussière, de peluches, de cheveux ou de tout autre élément susceptible de réduire le débit d'air.
16. Si le câble d'alimentation est endommagé, il doit être remplacé par le fabricant ou son agent de service afin d'éviter tout danger.
17. Désactivez l'interrupteur d'alimentation avant le nettoyage ou l'entretien de l'appareil.
18. Les batteries au lithium compatibles avec le CH2497F respectent les spécifications suivantes : max. 4 éléments, tension nominale maximale CC de 14,4V, capacité nominale de 5 800mAh. La batterie doit être retirée et mise au rebut conformément aux lois et réglementations locales avant la mise au rebut de l'appareil.
19. Les batteries usagées doivent être mises au rebut conformément aux lois et réglementations locales.
20. Ne pas incinérer l'appareil, même s'il est gravement endommagé. Les batteries peuvent exploser en cas d'incendie.

21. L'appareil doit être utilisé conformément aux instructions de ce manuel d'utilisation. Ecovacs Home Service Robotics ne peut être tenu responsable des dommages ou blessures causés par une utilisation inappropriée.
22. Le robot contient des batteries qui ne peuvent être remplacées que par des personnes qualifiées. Pour remplacer la batterie du robot, veuillez contacter le service clientèle.
23. Veillez à ce que la tension de votre source d'alimentation électrique corresponde à la tension indiquée sur la station OMNI.
24. Utilisez uniquement la batterie rechargeable et la station OMNI originales fournies avec l'appareil par le fabricant. Les batteries non rechargeables sont interdites.
25. Faites attention à ne pas endommager le câble d'alimentation. Ne tirez pas l'appareil ou la station OMNI par le câble d'alimentation, ne l'utilisez pas comme une poignée, ne fermez pas une porte sur le câble d'alimentation et évitez de tirer sur le câble d'alimentation si celui-ci se trouve contre des bords ou des coins pointus. Faites en sorte que l'appareil ne passe pas sur le câble d'alimentation. Tenez le cordon d'alimentation à l'écart des surfaces chaudes.
26. N'utilisez pas la station OMNI si celle-ci est endommagée. L'alimentation électrique ne doit pas être réparée et ne doit plus être utilisée si elle est endommagée ou défectueuse.
27. Ne pas utiliser avec un câble d'alimentation ou une prise endommagés. N'utilisez pas l'appareil ou la station OMNI en cas de dysfonctionnement, de chute, de dommages subis ou bien s'il ou elle a été laissé à l'extérieur ou a été en contact avec de l'eau. Il doit être réparé par le fabricant ou son agent de service afin d'éviter tout danger.
28. La fiche doit être retirée de la prise avant tout nettoyage ou entretien de la station OMNI.
29. Retirez l'appareil de la station OMNI et désactivez l'interrupteur d'alimentation de l'appareil avant de retirer la batterie pour la mise au rebut de l'appareil.
30. Si vous n'utilisez pas la station OMNI pendant une longue période, débranchez-la.
31. Si le robot n'est pas utilisé pendant une longue période, mettez-le hors tension pour le ranger et débranchez la station OMNI.
32. AVERTISSEMENT - Ajoutez uniquement de

l'eau propre dans un réservoir propre.

33. AVERTISSEMENT : pour recharger la batterie, utilisez uniquement le bloc d'alimentation amovible CH2497F fourni avec l'appareil.

Pour satisfaire aux exigences en matière d'exposition aux radiofréquences, une distance de séparation de 20 cm ou plus doit être maintenue entre cet appareil et les personnes pendant son fonctionnement.



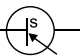




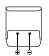

Pour garantir la conformité, il n'est pas recommandé d'opérer à une distance inférieure à celle-ci. L'antenne utilisée pour cet émetteur ne doit pas être installée en même temps qu'une autre antenne ou qu'un autre émetteur.

Mise à jour de l'appareil

En règle générale, certains appareils sont mis à jour tous les deux mois, mais ce n'est pas toujours aussi précis.

Certains appareils, notamment ceux ayant été mis en vente il y a plus de trois ans, ne seront mis à jour que si une vulnérabilité critique est découverte et corrigée.

Pour vérifier la version actuelle du logiciel et activer les mises à jour automatiques, accédez au menu Paramètres > Paramètres avancés du robot > À propos de votre robot > Mise à jour dans l'application. La version actuelle s'affiche à cet emplacement ; appuyez sur Mise à jour pour accéder à la page, puis sélectionnez Mise à jour automatique pour l'activer.

	Attention : surface chaude
	Transformateur d'isolement de sécurité résistant aux courts-circuits
	Alimentation électrique à découpage
	Utilisation en intérieur uniquement.
	Courant continu
	Courant alternatif
	Consultez les instructions avant de charger l'appareil.
	Polarité du port de charge
	Fusible miniature à retardement

La télé-surveillance doit être réservée à des lieux privés, appartenant à des particuliers, à des fins d'auto-protection et de contrôle unique uniquement. En cas d'utilisation, veuillez respecter les obligations légales locales en matière de protection des données. Pas de surveillance des lieux publics, surtout dans un but clandestin et/ou de la part de l'employeur sans raisons justifiées. Une telle utilisation non justifiée se fait aux risques et sous la responsabilité de l'utilisateur uniquement.

Déclaration de conformité de l'Union européenne

Informations sur la mise au rebut pour les utilisateurs d'équipements électriques et électroniques



Ce symbole sur le produit ou sur son emballage indique que les appareils électriques et électroniques ne doivent pas être jetés avec les ordures ménagères. Pour un traitement adéquat, il est de votre responsabilité de vous débarrasser de vos déchets en les rapportant aux points de collecte prévus à cet effet.

La mise au rebut correcte de ce produit permettra d'économiser des ressources précieuses et d'éviter tout effet négatif d'un traitement inapproprié des déchets sur la santé humaine et l'environnement.

Pour retourner votre appareil usagé, veuillez utiliser les systèmes de retour et de collecte ou contacter le détaillant où le produit a été acheté, ce qui est gratuit. Veuillez contacter les autorités locales pour

obtenir de plus amples informations sur le point de collecte désigné le plus proche.

Des sanctions peuvent être appliquées en cas d'élimination incorrecte de ces déchets, conformément à la législation de votre pays.

Informations des utilisateurs au sujet de la mise au rebut des batteries usagées



Ce symbole signifie que les batteries et accumulateurs en fin de vie ne doivent pas être mélangés aux déchets municipaux non triés. Votre participation est une part importante de l'effort visant à minimiser l'impact des batteries et accumulateurs sur l'environnement et la santé humaine. Pour un recyclage approprié gratuit, vous pouvez renvoyer ce produit ou les batteries ou accumulateurs qu'il contient à votre fournisseur ou à un point de collecte désigné.

La mise au rebut correcte de ce produit permettra d'économiser des ressources précieuses et d'éviter tout effet négatif d'un traitement inapproprié des déchets sur la santé humaine et l'environnement. Des sanctions peuvent être appliquées en cas d'élimination incorrecte de ces déchets, conformément à la législation de votre pays.

Il existe des systèmes de collecte distincts pour les batteries et les accumulateurs usagés.

Les batteries et les accumulateurs doivent être mis au rebut correctement dans votre centre de collecte des déchets ou de recyclage local.

Directive relative à la limitation de l'utilisation de certaines substances dangereuses (LdSD)

Ecovacs Home Service Robotics Co, Ltd. déclare par la présente que l'ensemble du produit, y compris les pièces (câbles, cordons, etc.), est conforme aux exigences de la directive LdSD 2011/65/UE et à la directive déléguée (UE) 2015/863 de la Commission relative à la limitation de l'utilisation de certaines substances dangereuses dans les équipements électriques et électroniques, modifiant la directive LdSD (« refonte de la directive LdSD » ou « LdSD 2.0 »).

Directive sur les équipements radioélectriques

Ecovacs Home Service Robotics Co, Ltd. déclare par la présente que les produits énumérés dans cette section sont conformes aux exigences essentielles et aux autres dispositions pertinentes de la directive 2014/53/UE relative aux équipements radio.

Représentant autorisé en Europe :



ECOVACS Europe GmbH
Holzstrasse 2 | D-40221 Düsseldorf | Allemagne

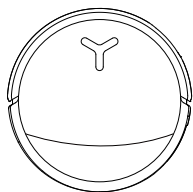
Ecovacs Home Service Robotics Co, Ltd. déclare par la présente que le produit est conforme aux exigences essentielles et aux autres dispositions pertinentes de la directive RoHS 2011/65/UE et de la directive déléguée de la Commission (UE) 2015/863 modifiant la directive sur les équipements radio 2014/53/UE.

La déclaration de conformité peut être consultée à l'adresse suivante :

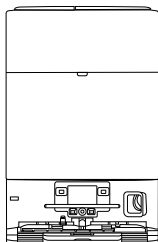
<https://www.ecovacs.com/global/compliance>

CONTENU DU COLIS

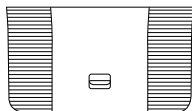
1 Contenu du colis



DEEBOT



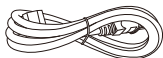
Station OMNI



Base



Manuel d'utilisation



Câble d'alimentation

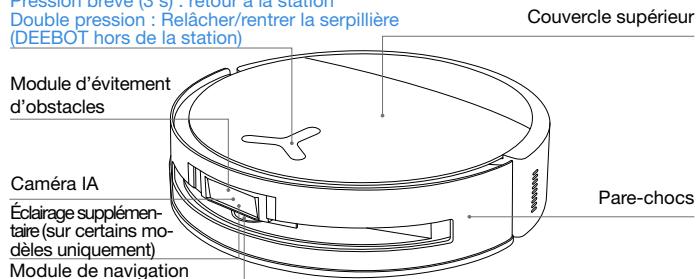
* Les illustrations figurant dans ce mode d'emploi sont fournies à titre indicatif uniquement et peuvent varier par rapport à votre appareil. Le modèle et les spécifications peuvent faire l'objet de modifications sans préavis.

2 Diagramme du produit

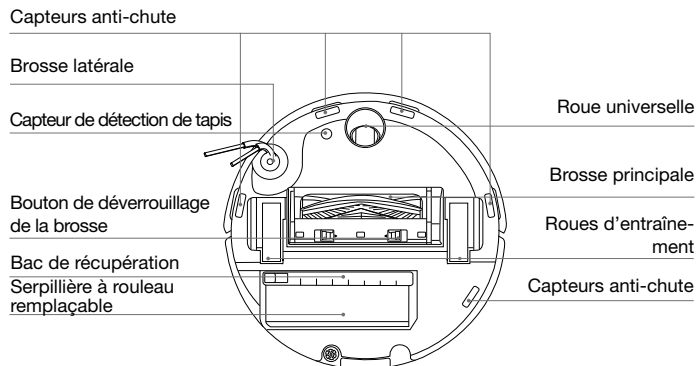
1. Vue avant du DEEBOT

Touches sur le DEEBOT :

Appuyez sur : Démarrer/Pause/Continuer
Pression brève (3 s) : retour à la station
Double pression : Relâcher/rentrer la serpillière
(DEEBOT hors de la station)



2. Vue du dessous du DEEBOT

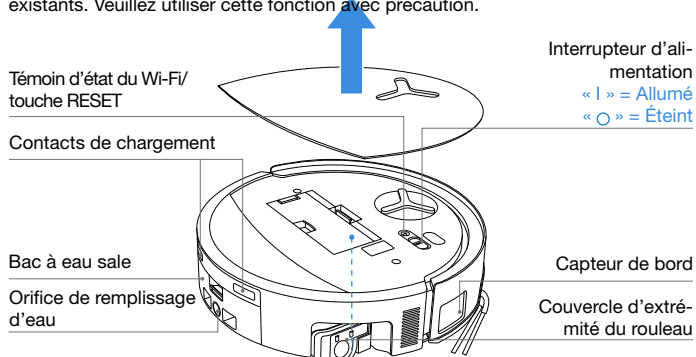


3. À l'intérieur du DEEBOT (sous le couvercle supérieur)

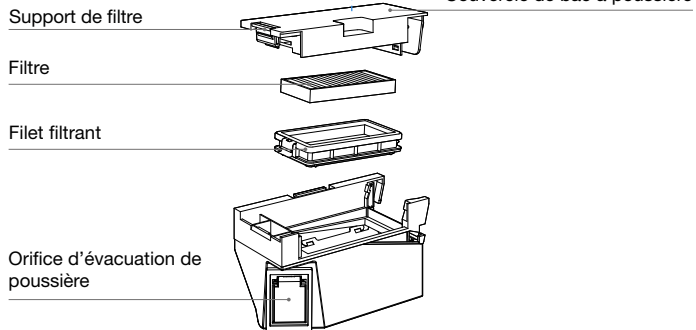
Touche RESET

Configuration du réseau : appuyez sur la touche RESET et suivez les invites vocales pour configurer le réseau.

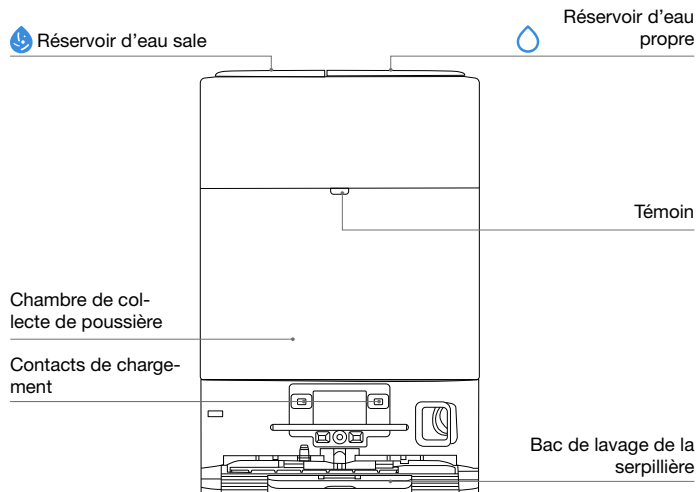
Rétablir les paramètres par défaut : appuyez sur la touche RESET et maintenez-la enfoncée pendant 5 secondes. Une fois que vous avez entendu l'invite vocale, la musique de démarrage est diffusée et DEEBOT est réinitialisé avec les paramètres par défaut. La réinitialisation effacera la carte et les paramètres de nettoyage existants. Veuillez utiliser cette fonction avec précaution.



4. Bac à poussière



5. Station OMNI

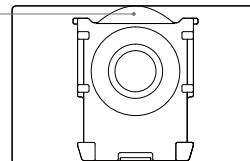


Remarque :

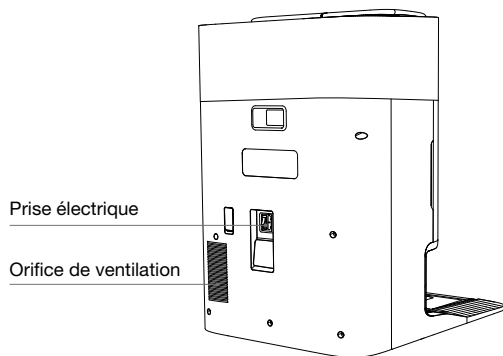
- Rouge clignotant : veuillez consulter l'application ECOVACS HOME pour connaître la raison.
- Si le DEEBOT ne se recharge pas, essayez les contacts de chargement en utilisant un chiffon propre et sec.

6. Sac à poussière

Poignée pour sac à poussière



7. Station OMNI (arrière)



8. Témoin lumineux

Témoin	Effet lumineux	État
DEEBOT	Blanc clignotant lent	En cours de charge
	Blanc fixe	Charge complète/En fonctionnement
	Rouge fixe	Batterie faible
	Rouge clignotant	Dysfonctionnement
Station	Blanc fixe	En veille/En fonctionnement
	Rouge clignotant	Dysfonctionnement
	Éteint	Coupure de courant/Mode veille profonde

9. Présentation des capteurs

Nom	Description fonctionnelle
Module de navigation	La mesure laser de distance sert à mesurer la distance entre le DEEBOT et les objets environnants en fonction des différences de délai de réflexion, ce qui permet au module de cartographier les objets autour du DEEBOT pendant qu'il se déplace. La portée de détection est de 10 m.
Module d'évitement d'obstacles	La mesure de distance infrarouge et une triangulation similaire sont utilisés pour mesurer la distance entre les objets environnants et le DEEBOT. Lorsque le capteur détecte un objet à proximité, DEEBOT effectue automatiquement un virage pour éviter de rentrer dans l'objet. La portée de détection est de 0,3 m.
Capteurs anti-chute	Avec la mesure de distance infrarouge, la distance entre le dessous du DEEBOT et le sol est détectée par les capteurs infrarouges situés sous l'appareil. Le DEEBOT s'arrête d'avancer lorsque des escaliers se trouvent devant lui (par exemple, lorsque la hauteur de la surface blanche est supérieure ou égale à 55 mm, ou lorsque la hauteur de la surface noire est supérieure ou égale à 30 mm) et que la hauteur identifiée dépasse la hauteur prédéfinie, grâce à l'activation de la fonction anti-chute.
Capteur de détection de tapis	Le capteur émet des ultrasons à 300 kHz, dont l'énergie est absorbée par le tapis, ce qui fera que l'énergie réfléchie sera inférieure au seuil. Le DEEBOT détecte ainsi la présence du tapis. Lors des tests réalisés dans le laboratoire ECOVACS, plus de 50 types de tapis disponibles sur le marché ont été détectés.
Capteur anti-collision	Grâce au principe du commutateur optocoupleur, le DEEBOT évitera les obstacles lorsqu'il est sur le point d'entrer en collision avec eux.
Capteur de bord	Grâce à la mesure de distance infrarouge, le capteur de bord détecte la distance entre le DEEBOT et les objets situés sur le côté. Lorsqu'il y a un mur ou des obstacles du côté droit, le DEEBOT effectue un nettoyage des bords afin de ne manquer aucun endroit et d'éviter les collisions.
Caméra IA	Utilisez les caméras IA pour prendre des photos de l'environnement. Réalisez un enregistrement vidéo. Grâce à l'interaction avec MIC, il est possible de passer des appels vidéo à distance (sur certains modèles).

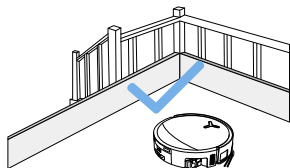
CONFIGURATION INITIALE ET UTILISATION

1 Remarques avant le nettoyage



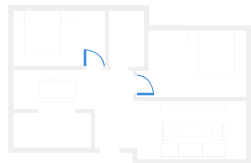
Rangez la zone à nettoyer

Pour une zone de nettoyage aussi grande que possible, rangez les meubles, tels que les tables, les chaises et les ventilateurs sur pied, à leur place et mettez de côté les objets bas, tels que les balances, avant d'utiliser DEEBOT.



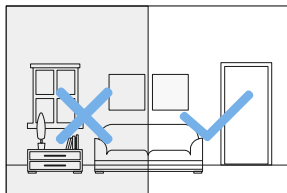
Empêchez le DEEBOT de tomber

Placez un obstacle physique devant un vide, par exemple un escalier ou des marches, pour empêcher le DEEBOT de tomber.



Ouvrez les portes et aidez le DEEBOT à explorer

Ouvrez toutes les portes des pièces afin d'aider le DEEBOT à explorer entièrement votre domicile lors de la première utilisation.



Fournissez un éclairage suffisant

Assurez-vous que toutes les zones de nettoyage sont bien éclairées afin que la caméra IA du DEEBOT puisse éviter avec précision les obstacles tels que les chaussures, les chaussettes et les câbles.



Enlevez les objets au sol, y compris les câbles, les vêtements et les pantoufles, afin de renforcer l'efficacité de nettoyage.



Avant d'utiliser le produit sur un tapis à franges, veuillez replier les franges sous le tapis.



Veuillez ne pas vous tenir dans des espaces étroits, tels que les couloirs, afin de ne pas bloquer le module de navigation.



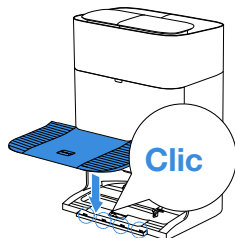
Assurez-vous que le DEEBOT voit clairement et évitez de rayer ou de salir l'objectif de la caméra IA avec des empreintes digitales ou des taches de gras. Utilisez un chiffon propre et doux pour essuyer la caméra et évitez les produits nettoyants, les détergents ou les sprays.

2 Démarrage rapide

Retirez tous les matériaux de protection avant l'utilisation.

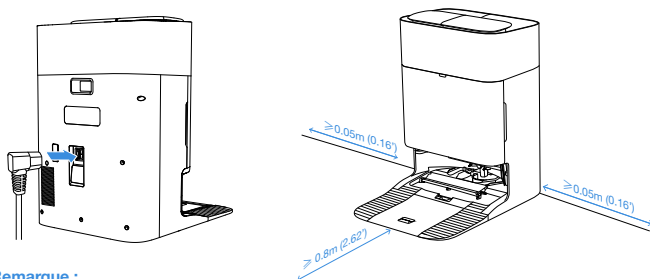
1. Installation

Si vous entendez un bruit de « clic », cela indique que l'installation est correcte.



2. Montage et installation de la station

Placez la station OMNI contre le mur, sur une surface plane et robuste. Ne placez aucun objet à moins de 0,05 mètre de chaque côté de l'appareil, ni à moins de 0,8 mètre devant celui-ci.



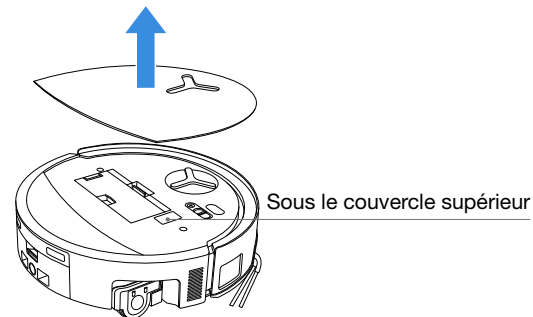
Remarque :

- Si des objets réfléchissant la lumière, par exemple des miroirs ou des plinthes, se trouvent à proximité de la station, il est nécessaire de recouvrir ces objets sur 14 cm en partant du sol.
- N'exposez pas directement la station à la lumière du soleil ou à des environnements à haute température.
- Placez la station dans un endroit où le signal Wi-Fi est puissant afin de bénéficier d'une meilleure expérience utilisateur.
- N'utilisez pas l'appareil sur des surfaces humides ou recouvertes d'eau stagnante.
- Ne nettoyez pas le DEEBOT et la station avec un chiffon humide et n'utilisez aucun liquide.

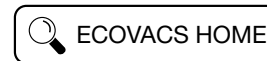
3 Téléchargez l'application ECOVACS HOME

Pour profiter de toutes les fonctionnalités disponibles, nous vous recommandons de contrôler votre DEEBOT à l'aide de l'application ECOVACS HOME.

Scannez le code QR sous le couvercle supérieur pour télécharger l'application.


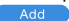


Où recherchez « ECOVACS HOME » sur l'App Store ou Google Play pour télécharger l'application.



Remarque : suivez les instructions fournies dans l'application pour terminer l'inscription, vous connecter et établir la connexion.

4 Connectez DEEBOT à l'application

Via Bluetooth : Allumez le DEEBOT et activez le Bluetooth sur votre téléphone portable. Autorisez l'application à utiliser le Bluetooth du téléphone portable. Appuyez pour scanner le code QR sur le DEEBOT ou appuyez sur  ou  dans l'application pour trouver le DEEBOT le plus proche.


Via Wi-Fi : Vous pouvez également choisir de connecter le DEEBOT à l'application via d'autres méthodes en suivant les instructions affichées sur la page de l'application.

Remarque : veuillez vous connecter via Bluetooth pour une expérience optimale.

Exigences relatives au réseau Wi-Fi :

- Utilisation d'un réseau mixte 2,4 GHz ou 2,4/5 GHz.
- Routeur compatible avec les protocoles 802.11b/g/n et IPv4.
- N'utilisez pas de VPN (réseau privé virtuel) ni de serveur proxy.
- N'utilisez pas de réseau caché.
- Le protocole WEP EAP (Enterprise Authentication Protocol) n'est pas pris en charge.
- Utilisez les canaux Wi-Fi 1 à 11 en Amérique du Nord et les canaux 1 à 13 en dehors de l'Amérique du Nord (consultez l'organisme de réglementation local).
- Si vous utilisez un prolongateur/répéteur réseau, le nom du réseau (SSID) et le mot de passe doivent être les mêmes que ceux de votre réseau principal.
- Activez le WPA2 sur votre routeur.

Témoin lumineux Wi-Fi

	Clignote lentement en blanc	Déconnecté du Wi-Fi
	Clignote rapidement en blanc	Connexion en cours
	Blanc fixe	Connecté au Wi-Fi

Veuillez noter que les fonctionnalités intelligentes telles que le démarrage à distance, l'affichage et le contrôle des paramètres de la carte 2D/3D, ainsi que le nettoyage personnalisé (selon l'appareil) nécessitent l'application ECOVACS HOME, qui fait l'objet de mises à jour régulières. Vous devez accepter notre Politique de confidentialité et notre Contrat d'utilisation pour que nous puissions traiter certaines de vos informations essentielles et nécessaires avant que vous soyez en mesure d'utiliser certaines fonctionnalités de l'application ECOVACS HOME pour contrôler l'appareil. Si vous n'acceptez pas notre Politique de confidentialité et notre Contrat d'utilisation, ces fonctionnalités ne seront pas disponibles. Cependant, vous pouvez toujours utiliser les fonctions de base de cet appareil pour un fonctionnement manuel.

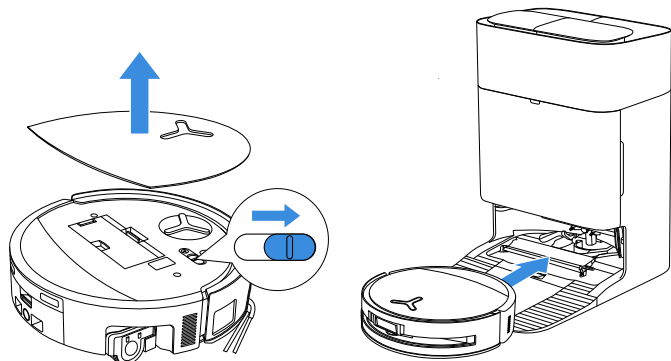
Informations concernant l'interface réseau

Nom	Description
Interface infrarouge	L'interface infrarouge est désactivée par défaut et s'active lorsque le robot se trouve dans la station de charge. Lorsque le DEEBOT se trouve dans la station de charge, il communique avec celle-ci via l'interface infrarouge.
Bluetooth	Activez le Bluetooth pour connecter le robot au réseau pendant le processus de configuration du réseau. Le Bluetooth utilise les services GAP1800, GATT 1801 et 8888 pour assurer la sécurité de la configuration et de l'échange de données.
Wi-Fi*	Cela facilite le transfert de données entre l'application et le robot, ce qui permet de contrôler celui-ci via l'application.
Application ECOVACS HOME	Les produits ECOVACS offrent des fonctions intelligentes telles que la configuration du réseau, la cartographie et la sélection du mode nettoyage (spécifiques à chaque produit). Pour utiliser ces fonctionnalités, les utilisateurs doivent télécharger et utiliser l'application officielle ECOVACS Home.

* Les robots aspirateurs de la série DEEBOT sont conçus pour le nettoyage domestique. Un réseau Wi-Fi domestique est nécessaire pour le fonctionnement, et la protection anti-DDOS doit être configurée par les utilisateurs par le biais des paramètres du routeur.

5 Mise sous tension et recharge du DEEBOT

Allumez l'interrupteur d'alimentation situé sous le couvercle du DEEBOT (« I » = Allumé, « O » = Éteint), puis placez le DEEBOT devant la station raccordée à l'alimentation électrique et enfin, amenez le DEEBOT vers la station.

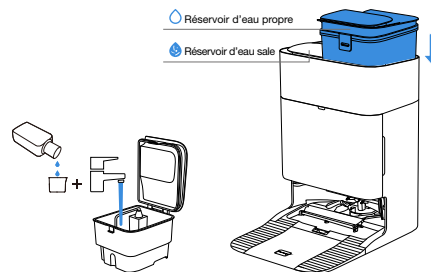


Remarque :

- Il n'est pas possible de charger le DEEBOT lorsqu'il est éteint.
- Une fois le nettoyage terminé, nous recommandons de laisser le DEEBOT allumé et en charge, afin qu'il soit prêt pour la prochaine session de nettoyage.
- Veuillez démarrer le nettoyage à partir de la station. Ne déplacez pas la station pendant le nettoyage.

6 Remplir le réservoir d'eau propre

Remplissez le réservoir d'eau propre avec de l'eau propre. Ajoutez une quantité appropriée de solution de nettoyage, avec un rapport de dilution de 1:200, en utilisant le bouchon du flacon. Fermez le couvercle du réservoir, agitez doucement pour mélanger, puis remettez le réservoir en place.



Remarque :

- Lorsque le réservoir d'eau propre est plein (4 litres environ), ajoutez un bouchon de solution de nettoyage (environ 20 ml).
- N'ajoutez pas d'eau chaude, cela risquerait de déformer le réservoir d'eau.
- S'il reste des traces d'eau à l'extérieur du réservoir d'eau, essuyez-les avec un chiffon sec et doux et sec de le remettre en place.
- N'ajoutez pas de solutions de nettoyage non officielles d'ECOVACS, car elles pourraient endommager le produit.
- Les éventuelles taches d'eau à l'intérieur du réservoir d'eau sont des traces laissées par les tests effectués en usine. Vous pouvez utiliser le produit en toute confiance.

7 Utiliser le DEEBOT

1. Commencer la cartographie


Lorsque vous créez une carte pour la première fois, veuillez suivre le DEEBOT pour résoudre certains problèmes mineurs.

Par exemple, le DEEBOT peut se retrouver coincé sous un meuble. Veuillez vous reporter aux solutions suivantes :


- 1 Surélevez les meubles bas, si possible ;
- 2 Couvrez le dessous des meubles.

2. Démarrer le nettoyage


- Le réservoir d'eau du DEEBOT est automatiquement rempli dans la station. Il n'est pas nécessaire de le remplir manuellement.
- Lorsqu'il est en mode Serpillière, le DEEBOT reconnaît les différents types de sol et est capable de relever automatiquement le balai à rouleau lorsqu'il rencontre des tapis. Veuillez ne pas utiliser le DEEBOT sur des tapis à poils longs ou des moquettes dont les fibres dépassent 10 mm. Il est recommandé de replier les tapis à poils longs dont les fibres sont d'une longueur supérieure à 10 mm pendant le processus de nettoyage. Veuillez définir une limite virtuelle dans l'application ECOVACS HOME.

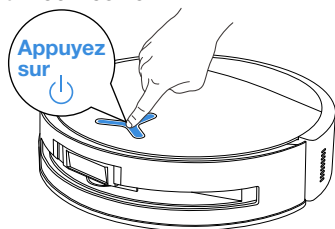
Veuillez vous assurer que le DEEBOT se trouve dans la station et qu'il est complètement chargé avant de le nettoyer pour la première fois. Appuyez sur  sur le DEEBOT pour démarrer. Vous pouvez également utiliser l'application ECOVACS HOME pour démarrer.

3. Pause


Appuyez sur «  » sur le DEEBOT pour le mettre en pause pendant le fonctionnement. Vous pouvez également utiliser l'application ECOVACS HOME pour mettre le DEEBOT en pause.

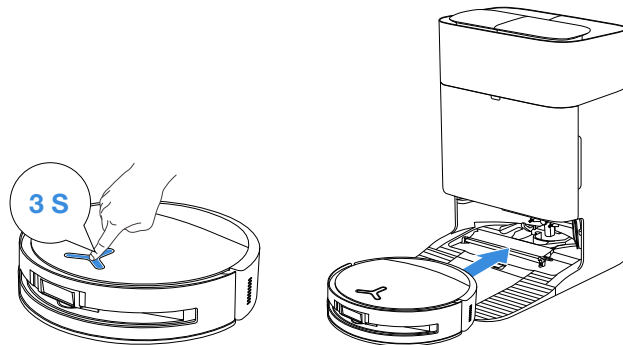
4. Réveil

Lorsqu'il reste en pause pendant un certain temps, tous les témoins lumineux du DEEBOT s'éteignent. Pour réveiller le DEEBOT, appuyez brièvement sur le bouton , ou utilisez l'application ECOVACS HOME.



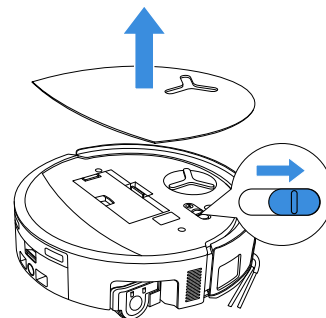
5. Retour à la station

Utilisez l'application ECOVACS HOME pour rappeler le DEEBOT, ou appuyez et maintenez enfoncé le bouton  sur le DEEBOT pendant 3 secondes pour permettre au DEEBOT de se connecter à la station pour la recharge.



6. Mode veille profonde

Le DEEBOT passe en mode veille profonde s'il reste hors de la station pendant environ 10 heures, afin de préserver la batterie. Veuillez éteindre puis rallumer l'appareil pour réactiver le DEEBOT. Si l'appareil ne répond pas, placez le DEEBOT sur la station d'accueil pour le recharger.



MAINTENANCE RÉGULIÈRE

Fréquence de maintenance

Pour que le DEEBOT continue d'offrir une performance de pointe, effectuez l'entretien et remplacez les pièces en respectant les fréquences ci-indiquées ci-dessous :

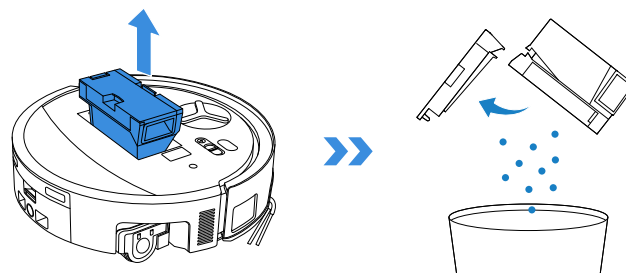
Pièce DEEBOT	Fréquence de maintenance	Fréquence de remplacement
Balai à rouleau lavable	/	Tous les 1-2 mois
Bac à eau sale	Chaque semaine	/
Bac de récupération	Chaque semaine	/
Sac à poussière	/	Lorsque l'application vous invite à le faire
Brosse latérale	Toutes les 2 semaines	Tous les 3-6 mois
Brosse principale	Chaque semaine	Tous les 6-12 mois
Filtre	Chaque semaine	Tous les 3-6 mois
Roue universelle Capteurs anti-chute Capteur de bord Pare-chocs Contacts de chargement sur le DEEBOT Contacts de chargement sur la station OMNI Module de navigation Module d'évitement d'obstacles Caméra IA	Tous les mois environ	/
Réservoir d'eau propre	Tous les 3 mois	/
Réservoir d'eau sale	Chaque mois	/
Chambre de collecte de poussière	Chaque mois	/
Corps et partie inférieure de la station	Chaque mois	/
Bac de lavage de la serpillière	Tous les 5 mois	/

Découvrez d'autres accessoires sur l'application ECOVACS HOME ou sur <https://www.ecovacs.com>

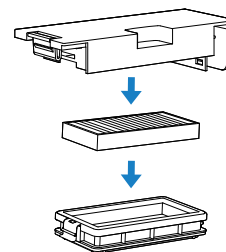
Entretien du DEEBOT

1 Entretien du bac à poussière et du filtre

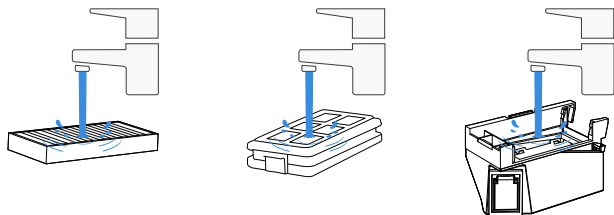
1. Retirez le bac à poussière, puis videz-le.



2. Ouvrez le filet filtrant et retirez le filtre.



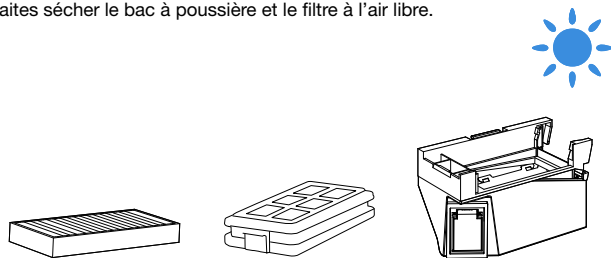
3. Rincez le bac à poussière et le filtre à l'eau, puis secouez-les pour évacuer les gouttes d'eau encore présentes.



Remarque :

- Veuillez rincer le filtre à l'eau, comme illustré.
- N'utilisez pas vos doigts ni de brosse pour nettoyer le filtre.

4. Faites sécher le bac à poussière et le filtre à l'air libre.



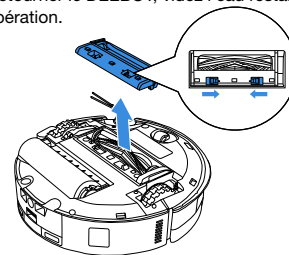
Remarque : séchez complètement les composants du bac à poussière avant utilisation.

2 Entretien de la brosse principale et de la brosse latérale

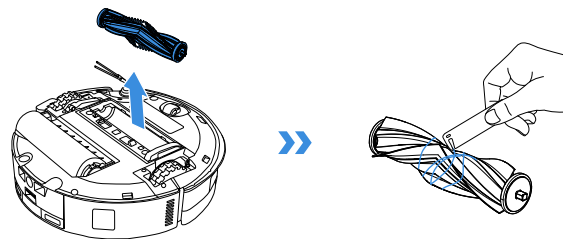
Nettoyer la brosse principale

1. Retirez le couvercle de la brosse principale.

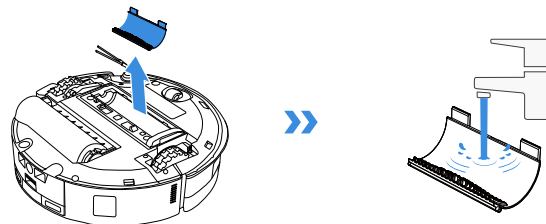
Remarque : avant de retourner le DEEBOT, videz l'eau restante dans le réservoir d'eau sale et le bac de récupération.



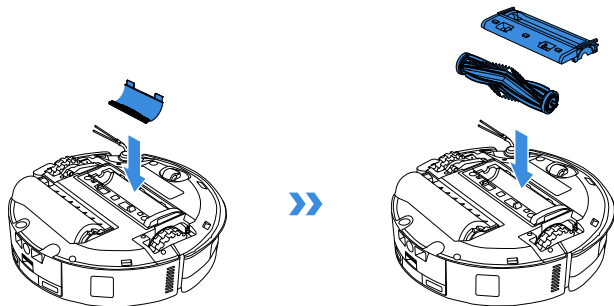
2. Retirez et nettoyez la brosse principale.



3. Retirez, nettoyez et séchez le peigne.

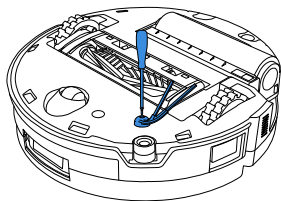


4. Installez le peigne, la brosse principale et le couvercle.



Nettoyer la brosse latérale

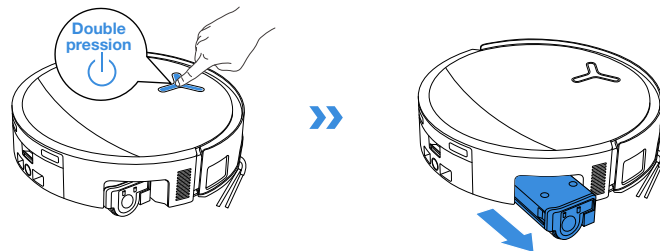
Retirez la brosse latérale à l'aide d'un tournevis et nettoyez-la.



3 Entretien du rouleau à balai

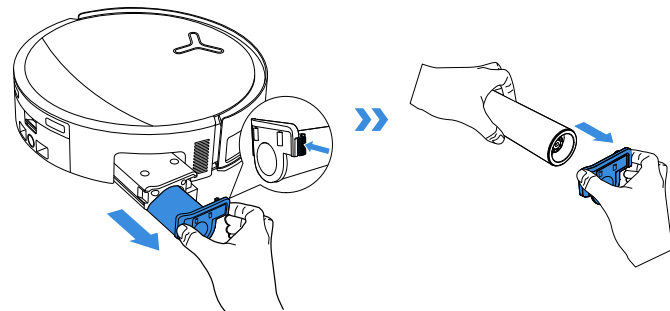
Nettoyez le balai à rouleau

1. Appuyez deux fois sur le bouton  pour dégager le balai à rouleau.

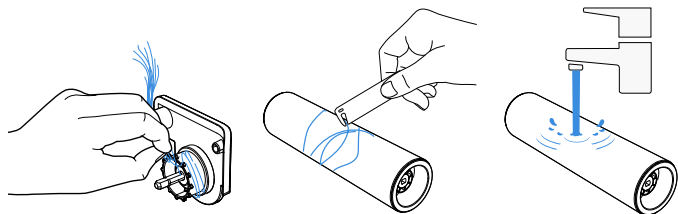


Remarque : ne tirez pas brusquement sur le rouleau lorsqu'il est rétracté, car cela pourrait endommager le balai à rouleau.

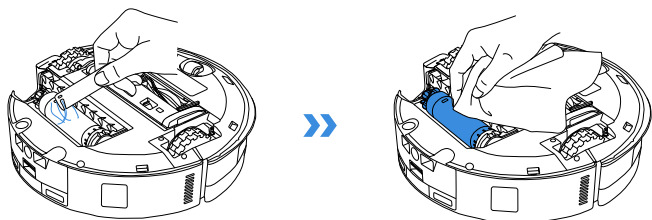
2. Appuyez sur le bouton de déverrouillage latéral pour retirer le rouleau.




3. Nettoyez le balai à rouleau.

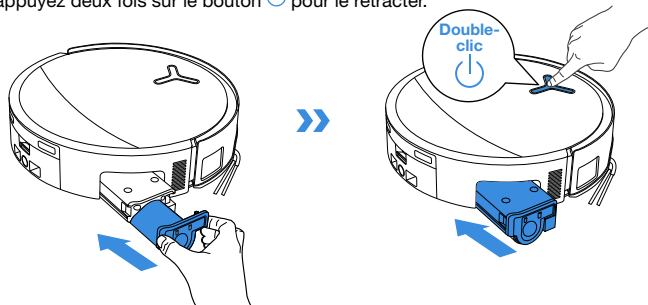


4. Nettoyez l'intérieur du rouleau.



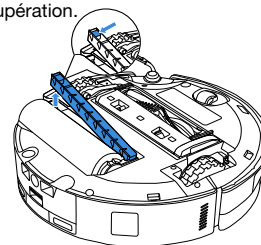
Remarque : ne lavez pas le DEEBOT à l'eau.

5. Enfoncez le balai à rouleau dans le couvercle d'extrémité du rouleau, puis appuyez deux fois sur le bouton  pour le rétracter.



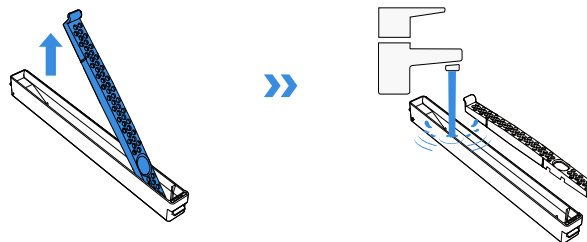
4 Entretien du bac de récupération

1. Retirez le bac de récupération.

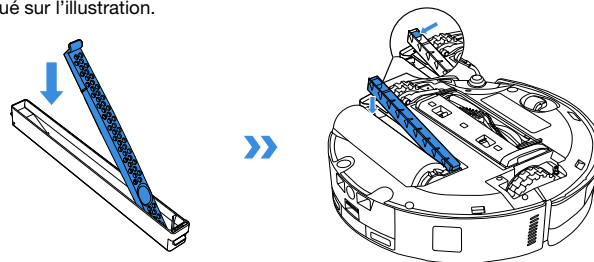


Remarque : une petite quantité d'eau résiduelle peut s'écouler lorsque vous retournez le DEEBOT s'il n'est pas en mode séchage.

2. Retirez et nettoyez les composants du bac de récupération.

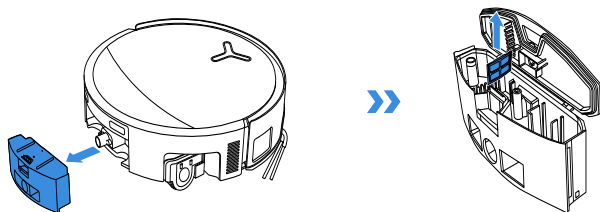


3. Veuillez réinstaller les composants du filtre du bac de récupération comme indiqué sur l'illustration.

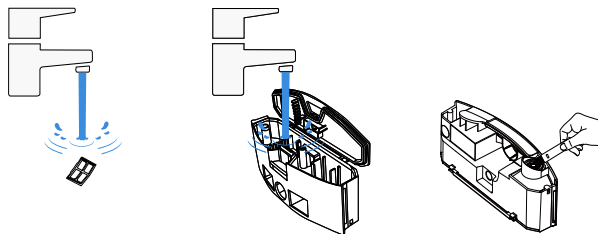


5 Entretien du bac à eau sale

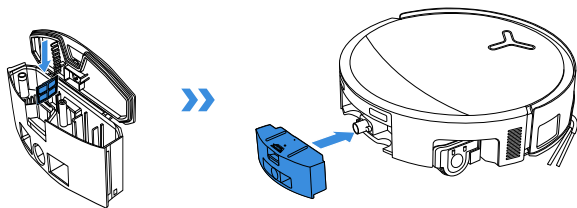
1. Retirez le bac à eau sale et le filet filtrant.



2. Nettoyez le filet filtrant, le bac et la sortie d'évacuation.



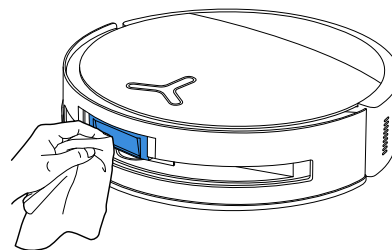
3. Remettez le filtre en place, appuyez fermement, puis replacez le couvercle du bac à eau sale.



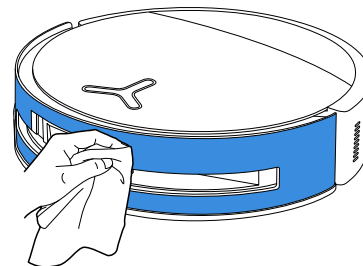
Appuyez fermement sur le couvercle du bac à eau sale dans le sens indiqué de sorte qu'il soit parfaitement aligné avec le bord supérieur du bac afin d'assurer une parfaite étanchéité.

6 Entretien des autres composants

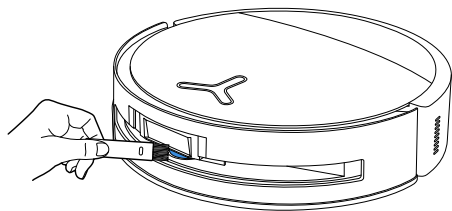
Nettoyer la lentille du module d'évitement d'obstacles



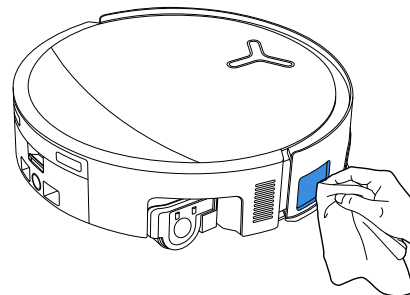
Nettoyer le pare-chocs



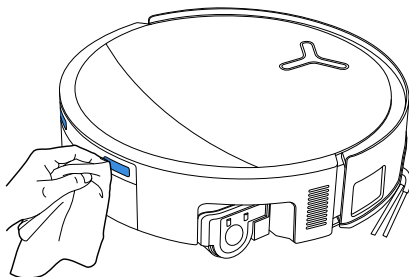
Nettoyer le module de navigation



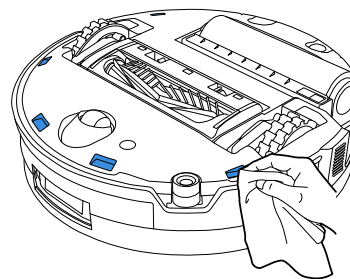
Nettoyer le capteur de bord



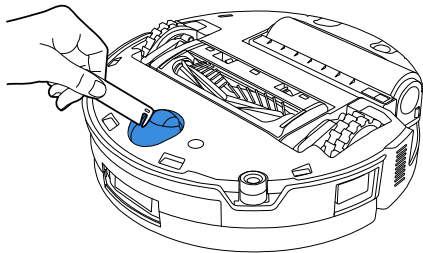
Nettoyer les contacts de chargement



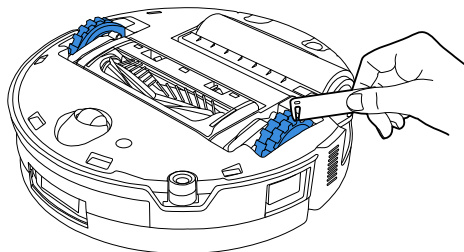
Nettoyer les capteurs anti-chute



Nettoyer la roue universelle



Nettoyer les roues d'entraînement



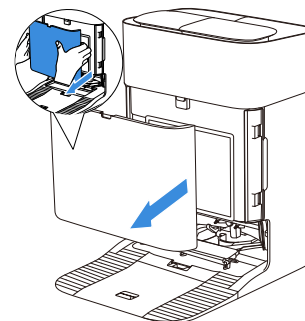
Remarque :

- Découvrez d'autres accessoires sur l'application ECOVACS HOME ou sur <https://www.ecovacs.com>.
- Essuyez les composants avec un chiffon propre et sec. N'utilisez jamais de chiffon humide. N'utilisez pas de spray nettoyant ou de détergent.

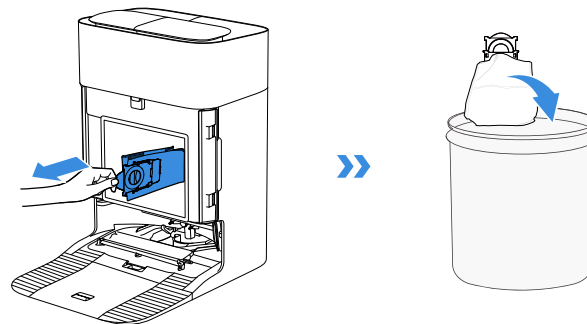
Entretien de la station

1 Entretien du bac à poussière

1. Retirez le couvercle de la chambre de collecte de poussière.

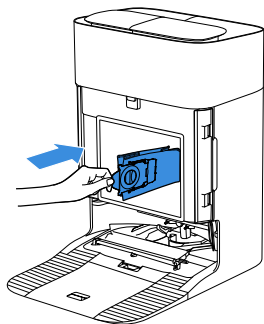


2. Retirez le sac à poussière jetable dans le sens indiqué par la flèche, puis jetez-le.

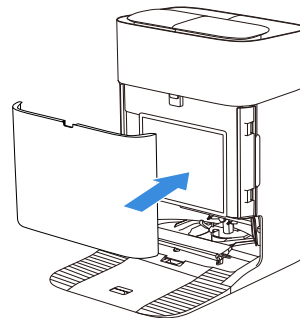


Remarque : tenez la poignée pour soulever le sac à poussière, cela permet d'éviter efficacement les risques de chutes de poussière.

3. Nettoyez la chambre de collecte de poussière à l'aide d'un chiffon sec et installez un nouveau sac à poussière.

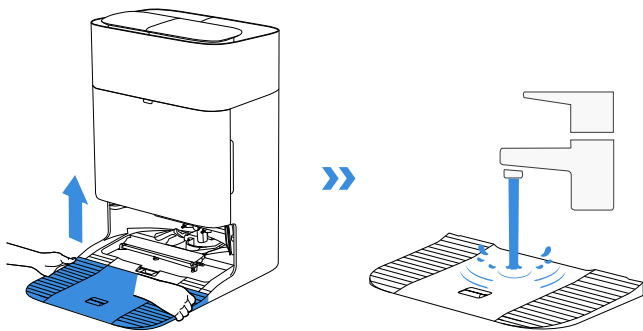


4. Insérez le loquet supérieur du couvercle de la chambre de collecte de poussière dans la fente, puis appuyez vers le bas pour assurer une bonne étanchéité.

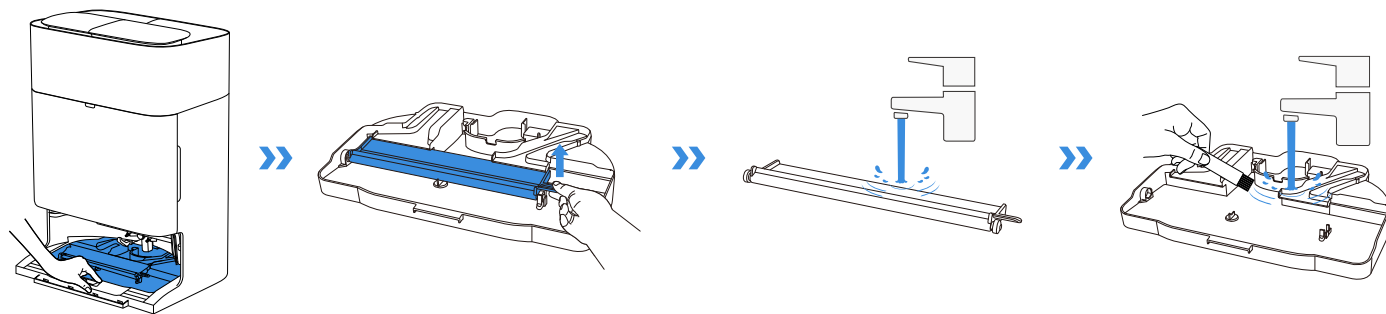


2 Entretien du bac de lavage de la serpillère

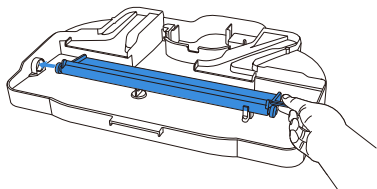
1. Retirez et nettoyez la base de la station.



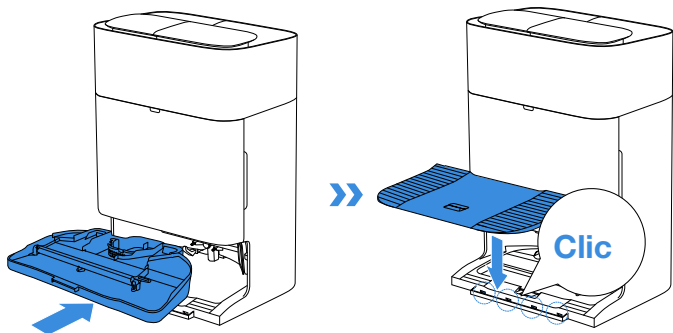
2. Retirez et nettoyez le bac de lavage de la serpillère et le bac de trempage.



3. Installez le bac de trempage.



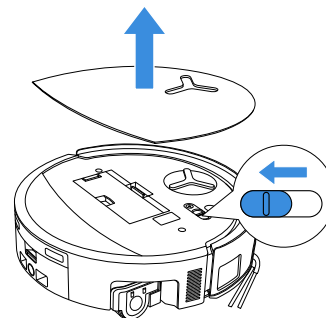
4. Installez le bac de lavage de la serpillière et la base.



Remarque : veuillez installer correctement le bac et la base pour éviter tout dysfonctionnement.

3 Espace de stockage

Veillez charger complètement et éteindre le DEEBOT avant de le ranger. Veuillez le recharger tous les 1,5 mois, afin d'éviter que la batterie ne se décharge excessivement.



! Veuillez noter que le DEEBOT ne peut pas se recharger lorsqu'il est éteint.


Remarque :

- Une fois que le DEEBOT a terminé le nettoyage, il est recommandé de ne pas l'éteindre, mais de le laisser en charge afin qu'il soit prêt pour la prochaine session de nettoyage.
 - Si la batterie est trop déchargée ou n'a pas été utilisée pendant une longue période, il se peut que le DEEBOT ne se recharge pas.
- Veillez contacter ECOVACS pour obtenir de l'aide. Ne démontez pas la batterie vous-même.
- Si vous n'utilisez pas le produit pendant une longue période, videz le bac à eau sale et les réservoirs d'eau et séchez la serpillière.

RÉSOLUTION DES PROBLÈMES


Pour le problème suivant, reportez-vous aux solutions correspondantes.

N°	Dysfonctionnement	Cause possible	Solution
1	Le DEEBOT ne parvient pas à se connecter à l'application ECOVACS HOME.	Identifiant ou mot de passe Wi-Fi saisi incorrect.	Saisissez l'identifiant et le mot de passe Wi-Fi corrects.
		Le DEEBOT est hors de portée du signal du réseau Wi-Fi de votre domicile.	Assurez-vous que le DEEBOT est à portée du signal du réseau Wi-Fi de votre domicile. Essayez de rester aussi près que possible du routeur.
		Le DEEBOT n'est pas en mode configuration.	Appuyez sur la touche Reset pour connecter le DEEBOT à votre téléphone via Bluetooth. En cas d'échec, veuillez vous reconnecter en utilisant l'application ECOVACS HOME.
		Il n'y a pas de Wi-Fi domestique dans la liste des réseaux Wi-Fi.	1. Vérifiez si le nom du réseau Wi-Fi contient des caractères spéciaux. Veuillez ne pas utiliser de caractères spéciaux tels que ! @#& ¥%^. 2. N'utilisez pas de réseau 5 GHz.
		L'application installée n'est pas la bonne.	Veuillez télécharger et installer l'application ECOVACS HOME.
2	Impossible de créer la carte des meubles dans l'application.	Déplacer le DEEBOT pendant le nettoyage peut entraîner la perte de la carte.	Pendant le nettoyage, ne déplacez pas le DEEBOT.
		Le nettoyage automatique n'est pas terminé.	Assurez-vous que le DEEBOT retourne automatiquement à la station OMNI après le nettoyage.
		Le mode multi-étages n'était pas activé lors de la création de la deuxième carte.	Veuillez activer le mode multi-étages dans l'application.
3	La brosse latérale se détache pendant l'utilisation.	La brosse latérale n'est pas correctement installée.	Lorsque vous installez la brosse latérale à l'aide d'un tournevis, veillez à ce que la vis soit bien serrée.
4	Aucun signal trouvé. Échec du retour à la station.	La station OMNI est mal placée.	Placez la station OMNI correctement en suivant les instructions fournies dans la section [Mise sous tension et recharge du DEEBOT] .
		La station OMNI est hors tension ou a été déplacée.	Vérifiez si la station OMNI est raccordée à l'alimentation électrique. Ne déplacez pas la station OMNI.
		Le DEEBOT ne démarre pas le nettoyage depuis la station OMNI.	Nous recommandons que le DEEBOT démarre le nettoyage à partir de la station OMNI.
		L'itinéraire de retour est bloqué. Par exemple, la porte de la pièce où se trouve la station OMNI est fermée.	Maintenez l'itinéraire de chargement exempt d'obstacles.

N°	Dysfonctionnement	Cause possible	Solution
5	Le DEEBOT retourne à la station OMNI avant d'avoir terminé le nettoyage.	La pièce est trop grande et le DEEBOT doit retourner se recharger.	Veillez activer la reprise automatique. Pour plus de détails, veuillez suivre les instructions fournies dans l'application.
		En cas de configurations intérieures très complexes, l'efficacité de nettoyage peut diminuer, ce qui peut mener à un nettoyage incomplet.	Simplifiez l'aménagement de la maison.
6	Le DEEBOT ne se recharge pas.	Le DEEBOT n'est pas allumé.	Allumez le DEEBOT.
		Les contacts de chargement du DEEBOT ne sont pas connectés avec les contacts de chargement de la station OMNI.	Assurez-vous que les contacts de chargement du DEEBOT sont bien connectés aux contacts de chargement de la station et que le voyant  clignote. Vérifiez si les contacts de chargement du DEEBOT et de la station OMNI sont sales. Veuillez nettoyer ces pièces conformément aux instructions de la section [MAINTENANCE RÉGULIÈRE] .
		La station OMNI n'est pas raccordée à l'alimentation électrique.	1. Assurez-vous que la station OMNI est raccordée à l'alimentation électrique. 2. Une fois raccordée à l'alimentation, assurez-vous que le bruit de démarrage du moteur est audible.
		La base n'a pas été installée.	Pour une installation correcte, consultez la section [Démarrage rapide] .
7	Le DEEBOT est très bruyant pendant le nettoyage.	La brosse principale/brosse latérale est emmêlée ou bien le bac à poussière/filtre est obstrué.	Nous vous recommandons de régulièrement nettoyer la brosse principale, la brosse latérale, le bac à poussière, le balai à rouleau, le filtre, etc.
		DEEBOT est en mode Aspiration forte ou en mode Puissance d'aspiration maximale.	Passez en mode Standard.
8	Le DEEBOT se bloque pendant le fonctionnement et s'arrête.	Le DEEBOT s'est emmêlé dans des objets présents au sol (câbles électriques, rideaux, franges de tapis, etc.).	Le DEEBOT va essayer plusieurs méthodes pour se libérer. Si ses tentatives échouent, retirez manuellement les obstacles et redémarrez-le.
		Le DEEBOT peut rester coincé sous des meubles présentant un espace sous eux de même hauteur.	Veillez surélever les meubles, installer une barrière physique ou définir une limite virtuelle à l'aide de l'application ECOVACS HOME.
		Le DEEBOT est coincé dans des zones basses et étroites.	Rangez votre intérieur, installez une barrière physique ou définissez une limite virtuelle à l'aide de l'application ECOVACS HOME.

N°	Dysfonctionnement	Cause possible	Solution
9	Pendant le nettoyage, DEEBOT peut rencontrer des problèmes tels qu'un itinéraire désordonné, des mouvements déséquilibrés, un nettoyage répété aux mêmes endroits et de petites zones manquantes. (Si une surface important n'a pas été nettoyée temporairement, le DEEBOT nettoiera automatiquement la zone qu'il a manquée. Il arrive parfois que le DEEBOT retourne dans une pièce déjà nettoyée, ce qui n'est pas nécessairement un nettoyage répété, mais le DEEBOT détectera les éventuelles zones manquées.)	Les objets tels que les câbles et les pantoufles laissés au sol bloquent le DEEBOT.	Avant de nettoyer, veuillez ranger autant que possible les fils électriques, les pantoufles et autres objets éparpillés sur le sol. Si une zone n'a pas été nettoyée, le DEEBOT la nettoiera automatiquement. Veuillez vous abstenir d'interférer (par exemple en déplaçant le DEEBOT ou en bloquant son itinéraire).
		Les roues d'entraînement risquent de patiner sur le sol lorsque le DEEBOT monte des marches, franchit des seuils ou passe sur des barres de porte, ce qui peut affecter son évaluation de l'environnement domestique global.	Nous recommandons de fermer la porte de la zone concernée et de la nettoyer séparément. Après le nettoyage, le DEEBOT revient à son emplacement de départ.
		La friction entre les roues d'entraînement et le sol peut être moindre sur les sols récemment cirés ou polis, ainsi que sur du carrelage lisse.	Veuillez attendre que la cire sèche avant de nettoyer.
		En raison des variations dans l'aménagement des maisons, l'accès à certaines zones peut être impossible pour le DEEBOT.	Rangez votre maison afin que DEEBOT puisse accéder aux zones que vous souhaitez nettoyer.
10	Retard dans la télécommande.	Le signal Wi-Fi est faible, ce qui ralentit le chargement de la vidéo.	Utilisez DEEBOT dans des zones où la réception du signal Wi-Fi est correcte.
11	Après son retour à la station OMNI, DEEBOT ne vide pas son bac à poussière.	La fonction de Vidage Automatique n'a pas été activée dans l'application ECOVACS HOME.	Activez la fonction de Vidage automatique dans l'application ECOVACS HOME.
		Si vous ramenez manuellement le DEEBOT à sa station, la fonction de Vidage automatique ne se déclenchera pas.	Nous vous recommandons de laisser le DEEBOT retourner seul à la station OMNI. Veuillez ne pas le déplacer manuellement.
		Lorsqu'il est en mode « Ne pas déranger », le DEEBOT ne videra pas le bac à poussière après son retour à la station OMNI.	Désactivez le mode « Ne pas déranger » dans l'application ECOVACS HOME ou lancez manuellement le vidage de la poussière.
		La station détecte une baisse de l'efficacité du vidage.	Remplacez le sac à poussière conformément aux instructions fournies dans la section [MAINTENANCE RÉGULIÈRE] et fermez la chambre de collecte de poussière. Si le sac à poussière n'est pas plein lorsque l'application vous invite à le vider, vous pouvez le remettre en place.
		Vérifiez si le bac à poussière est plein et provoque un blocage.	Nettoyez le bac à poussière conformément aux instructions fournies dans la section [MAINTENANCE RÉGULIÈRE] .
		Si les causes possibles ci-dessus ont été exclues, il est possible que des pièces de la station soient défectueuses.	Veuillez contacter le service client pour obtenir de l'aide.

N°	Dysfonctionnement	Cause possible	Solution
12	Échec du vidage automatique.	La station détecte une baisse de l'efficacité du vidage.	Remplacez le sac à poussière conformément aux instructions fournies dans la section [MAINTENANCE RÉGULIÈRE] et fermez la chambre de collecte de poussière. Si le sac à poussière n'est pas plein lorsque l'application vous invite à le vider, vous pouvez le remettre en place.
		La sortie du bac à poussière est obstruée par des corps étrangers.	Retirez le bac à poussière et retirez les corps étrangers présents au niveau de la sortie.
13	Le côté intérieur de la chambre de collecte de poussière est sale.	Les particules fines traversent le sac à poussière et s'accumulent du côté intérieur de la chambre de collecte de poussière.	Nettoyez le côté intérieur de la chambre de collecte de poussière.
		Le sac à poussière est rompu.	Vérifiez et remplacez le sac à poussière.
		Le sac à poussière n'est pas correctement installé.	Veillez installer correctement le sac à poussière.
		Le couvercle de la chambre de collecte de poussière n'est pas fermé.	Veillez vérifier si le couvercle de la chambre de collecte de poussière est correctement fermé.
14	Une fuite de poussière se produit pendant que le DEEBOT est en fonctionnement.	La sortie du bac à poussière est obstruée par des corps étrangers.	Retirez le bac à poussière et retirez les corps étrangers présents au niveau de la sortie.
15	Le balai à rouleau ne tourne pas.	Le balai à rouleau n'est pas correctement installé.	Installez correctement le balai à rouleau conformément aux instructions fournies dans la section [MAINTENANCE RÉGULIÈRE] .
		Le balai à rouleau est bloqué par des corps étrangers.	Nettoyez puis installez correctement le balai à rouleau conformément aux instructions fournies dans la section [MAINTENANCE RÉGULIÈRE] .
16	La roue motrice est bloquée.	La roue motrice est coincée ou bloquée par des corps étrangers.	Faites tourner la roue motrice et appuyez dessus pour vérifier qu'elle n'est pas bloquée ou obstruée par des corps étrangers. Si vous trouvez des corps étrangers, veuillez les nettoyer rapidement. Si le problème persiste, veuillez contacter le service client pour obtenir de l'aide.

N°	Dysfonctionnement	Cause possible	Solution
17	Le bac de lavage de la serpillière est plein d'eau et ne peut pas être vidé. Une invite vocale signale un dysfonctionnement du bac de lavage de la serpillière.	Le réservoir d'eau sale n'est pas correctement installé.	Appuyez sur le réservoir d'eau sale pour vous assurer qu'il est correctement installé.
		Les bouchons d'étanchéité du réservoir d'eau sale ne sont pas correctement installés.	Assurez-vous que les deux bouchons d'étanchéité sont correctement installés.
		Le bac de lavage de la serpillière n'est pas correctement installé.	Vérifiez et assurez-vous que le bac de lavage de la serpillière est correctement installé.
		La base du bac de lavage de la serpillière est sale.	Détachez la base du bac de lavage de la serpillière et lavez-la à l'eau.
		Vérifiez si le flotteur se bloque lorsqu'il n'y a pas d'eau dans la base du bac de lavage de la serpillière.	Retirez le bac de lavage de la serpillière pour remettre le flotteur en place.
		La station OMNI n'arrive pas à vidanger l'eau normalement.	Placez le DEEBOT dans la station. Après avoir vérifié qu'il est en cours de charge, appuyez deux fois sur  . Si le problème persiste, veuillez contacter le service client pour obtenir de l'aide.
		L'orifice d'aspiration du bac de lavage de la serpillière est obstrué par des corps étrangers.	Assurez-vous qu'aucun corps étranger ne se trouve dans l'orifice d'aspiration du bac de lavage de la serpillière.
		L'alerte vocale persiste, même après avoir essayé toutes les solutions ci-dessus.	Éteignez puis rallumez la station. Si le problème persiste, veuillez contacter le service client pour obtenir de l'aide.
18	Mauvais fonctionnement du bac à eau sale ou lavage automatique fréquent.	Le bac à eau sale contient trop de poussière.	Retirez et videz le bac à eau sale, puis rincez-le et remettez-le en place. Si le problème persiste, veuillez contacter le service client pour obtenir de l'aide.
		Le bac de récupération contient trop de poussière.	Retirez et videz le bac de récupération, puis rincez-le et remettez-le en place. Si le problème persiste, veuillez contacter le service client pour obtenir de l'aide.

SPÉCIFICATIONS TECHNIQUES

Modèle	DEX62
Entrée nominale	20 V === 2 A
Temps de recharge	Environ 3,5 h
Modèle de station	CH2497F
Entrée nominale	220-240 V ~ 50-60 Hz
Puissance nominale	20 V === 2 A
Courant d'entrée nominal (charge)	0,5 A
Puissance (vidage)	650W
Puissance (serpillière pour lavage à l'eau chaude)	1650 W
Bandes de fréquences	2400-2483,5 MHz
Alimentation de secours en réseau	Moins de 2,00 W

La puissance de sortie du module sans fil est inférieure à 100 mW.

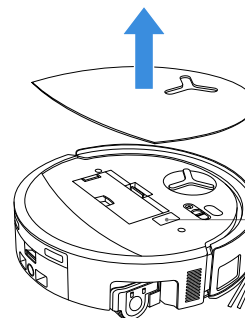
Pour répondre aux exigences du produit (fonctionnalité et expérience utilisateur), nos produits utilisent une architecture à consommation d'énergie ultra-faible et ne sont donc pas dotés d'un mode arrêt, ni d'un mode veille. Une fois la machine complètement rechargée, elle passera en mode veille réseau dans les 20 minutes. La consommation électrique en mode veille en réseau est de 1,9 W

Remarque : les spécifications techniques et de conception peuvent être modifiées dans le cadre de l'amélioration continue des produits.

Découvrez d'autres accessoires sur <https://www.ecovacs.com>.

Obtenir la version intégrale du guide d'utilisation

Veillez utiliser l'appareil photo de votre téléphone portable pour scanner le code QR et recevoir le guide d'utilisation.



Veillez utiliser l'appareil photo de votre téléphone portable pour scanner le code QR et recevoir le guide d'utilisation.

ISTRUZIONI DI SICUREZZA IMPORTANTI

ISTRUZIONI DI SICUREZZA IMPORTANTI

Quando si utilizza un apparecchio elettrico, bisogna sempre osservare alcune precauzioni basilari, tra cui le seguenti:

LEGGERE TUTTE LE ISTRUZIONI PRIMA DI UTILIZZARE QUESTO APPARECCHIO

CONSERVARE LE PRESENTI ISTRUZIONI

1. Questo apparecchio può essere utilizzato da bambini di età superiore agli 8 anni e da persone con ridotte capacità fisiche, sensoriali o mentali o con mancanza di esperienza e conoscenza, purché siano state fornite loro istruzioni o supervisione relative all'utilizzo sicuro dell'apparecchio e comprendano i pericoli connessi. Non deve essere permesso ai bambini di giocare con l'apparecchio. I bambini non devono compiere operazioni di pulizia e manutenzione senza supervisione.
2. Sgomberare la zona da pulire. Rimuovere

dal pavimento cavi di alimentazione e piccoli oggetti che potrebbero impigliarsi nell'apparecchio. Infilare le frange del tappeto sotto il tappeto e sollevare dal pavimento tende, tovaglie e simili.

3. In presenza di dislivelli nell'area di pulizia, per es. gradini o vani scala, bisogna verificare che l'apparecchio sia in grado di rilevare correttamente il dislivello senza superare il bordo. Per impedire la caduta dell'apparecchio, potrebbe essere necessario collocare una barriera fisica sul bordo. Assicurare che la barriera fisica non rappresenti un rischio di inciampo.
4. Utilizzare solo come descritto nel presente manuale. Utilizzare solo accessori raccomandati o venduti dal produttore.
5. SOLO per uso domestico INTERNO. Non utilizzare l'apparecchio in ambienti esterni, commerciali o industriali.
6. Non utilizzare senza vaschetta raccogli-polvere e/ o filtri nelle rispettive sedi.
7. Non utilizzare l'apparecchio in aree dove ci sono candele accese o oggetti fragili.
8. Capelli, indumenti sciolti, dita e qualsiasi parte del corpo vanno tenuti lontano da aperture e par-

- ti in movimento.
9. Non utilizzare l'apparecchio in una stanza in cui dorme un neonato o un bambino.
 10. Non utilizzare né stoccare in ambienti estremamente freddi o caldi (sotto i $-5\text{ }^{\circ}\text{C}/23\text{ }^{\circ}\text{F}$ o sopra i $40\text{ }^{\circ}\text{C}/104\text{ }^{\circ}\text{F}$). Ricaricare il robot a temperature superiori a $0\text{ }^{\circ}\text{C}/32\text{ }^{\circ}\text{F}$ e inferiori a $40\text{ }^{\circ}\text{C}/104\text{ }^{\circ}\text{F}$.
 11. Non utilizzare l'apparecchio su superfici umide o bagnate.
 12. Provvedere affinché l'apparecchio non possa catturare oggetti di grandi dimensioni, come pietre, pezzi di carta grandi o altri oggetti che potrebbero intasare l'apparecchio.
 13. Non utilizzare l'apparecchio per raccogliere materiali infiammabili o combustibili, per es. benzina, toner di stampanti o fotocopiatrici, né utilizzarlo in aree in cui potrebbero essere presenti materiali del genere.
 14. Non utilizzare l'apparecchio per raccogliere oggetti che stanno bruciando o fumando, per es. sigarette, fiammiferi, cenere rovente o qualsiasi cosa che possa innescare un incendio.
 15. Non inserire oggetti nella presa d'aspirazione. Non utilizzare se la presa d'aspirazione è ostruita. Mantenere la presa d'aspirazione libera da polvere, lanugine, capelli o qualsiasi altro elemento che possa ridurre il flusso d'aria.
 16. Per evitare pericoli, un cavo di alimentazione eventualmente danneggiato deve essere sostituito dal produttore o dall'agente di assistenza del produttore.
 17. Spegnere l'interruttore di alimentazione prima di qualsiasi operazione di pulizia o manutenzione dell'apparecchio.
 18. Il tipo di batteria al litio adatto a CH2497F è di max 4 celle, con tensione nominale max di 14,4 V CC e capacità nominale di 5.800 mAh. La batteria deve essere rimossa e smaltita in conformità alle leggi e alle normative locali prima dello smaltimento dell'apparecchio.
 19. Effettuare lo smaltimento delle batterie esau-
ste ai sensi delle leggi e delle normative locali.
 20. Non incenerire l'apparecchio anche se gravemente danneggiato. Le batterie possono esplodere in caso di incendio.
 21. L'apparecchio deve essere utilizzato in conformità alle istruzioni fornite nel presente

Manuale di istruzioni. Ecovacs Home Service Robotics non può essere ritenuta obbligata o responsabile per danni o lesioni derivanti da un utilizzo improprio.

22. Le batterie sostituibili del robot possono essere sostituite solo da tecnici debitamente formati. Per sostituire le batterie del robot, contattare il servizio clienti.
23. Verificare che la tensione della sorgente di alimentazione corrisponda alla tensione di alimentazione indicata sulla stazione OMNI.
24. Utilizzare solo la batteria ricaricabile e la stazione OMNI originali fornite dal produttore con l'apparecchio. Non è consentito usare batterie non ricaricabili.
25. Fare attenzione a non danneggiare il cavo di alimentazione. Non tirare né trasportare l'apparecchio o la stazione OMNI agendo sul cavo di alimentazione, non utilizzare il cavo di alimentazione come una maniglia, non chiudere una porta sopra il cavo di alimentazione e non tirare il cavo di alimentazione facendolo scivolare sopra bordi o angoli taglienti. Non far passare l'apparecchio sopra il cavo di alimentazione. Tenere il cavo di alimentazione lontano da superfici molto calde.
26. Non utilizzare la stazione OMNI se è danneggiata. Un dispositivo di alimentazione danneggiato o difettoso non deve essere riparato o utilizzato.
27. Non utilizzare con un cavo di alimentazione o una presa danneggiati. Non utilizzare l'apparecchio o la stazione OMNI se non funzionano correttamente, se sono stati soggetti a una caduta, se sono danneggiati, sono stati lasciati all'aperto o sono entrati in contatto con l'acqua. Per evitare pericoli, devono essere riparati dal produttore o dall'agente di assistenza del produttore.
28. Rimuovere la spina dalla presa prima di qualsiasi operazione di pulizia o di manutenzione della stazione OMNI.
29. Se l'apparecchio deve essere smaltito, rimuovere l'apparecchio dalla stazione OMNI, spegnere l'interruttore di alimentazione dell'apparecchio e poi rimuovere la batteria.
30. Se la stazione OMNI non verrà utilizzata per un lungo periodo, scollegarla dalla rete.
31. Se il robot non verrà impiegato per un lungo periodo e deve essere stoccato, spegnere il

robot e scollegare dalla rete la stazione OMNI.

32. **AVVERTENZA:** Aggiungere solo acqua pulita nel serbatoio dell'acqua pulita.

33. **AVVERTENZA:** Per la ricarica della batteria, utilizzare esclusivamente il dispositivo di alimentazione staccabile CH2497F fornito con l'apparecchio.

Durante l'impiego, per la conformità ai requisiti di esposizione alle radiofrequenze, le persone devono mantenere una distanza minima di 20 cm dall'apparecchio.



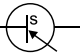




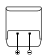

Con distanze inferiori, la conformità a detti requisiti non può essere garantita. L'antenna utilizzata dal trasmettitore di questo dispositivo deve essere collocata lontano da altre antenne o trasmettitori.

Aggiornamento del dispositivo

Normalmente, ma non sempre, i dispositivi vengono aggiornati ogni due mesi.

Alcuni dispositivi, soprattutto quelli messi in commercio più di tre anni fa, vengono aggiornati solo se viene rilevata e risolta una vulnerabilità critica.

Per controllare la versione corrente del software e abilitare gli aggiornamenti automatici, andare a Impostazioni > Impostazioni avanzate del robot > Info sul robot > Aggiornamento nell'app. Qui è visualizzata la versione corrente; toccare Aggiornamento per accedere alla pagina e selezionare Aggiornamento automatico per abilitarlo.

	Attenzione: superficie molto calda
	Trasformatore d'isolamento di sicurezza a prova di cortocircuito
	Interruttore modalità di alimentazione
	Solo per uso interno
	Corrente continua
	Corrente alternata
	Leggere le istruzioni prima di procedere alla carica.
	Polarità della porta di ricarica
	Collegamento protetto da fusibile miniaturizzato ritardato

Il monitoraggio da remoto è concepito per l'utilizzo in luoghi privati, non pubblici, con la sola finalità di autoprotezione e di sorveglianza non integrata ad altri sistemi. Per l'utilizzo, considerare i requisiti legali locali in materia di protezione dei dati. Non è consentita la sorveglianza di luoghi pubblici, specialmente in modo surrettizio e/o condotta dal datore di lavoro per ragioni ingiustificate. L'utente si fa carico sia dei rischi che della responsabilità derivanti da un utilizzo non giustificato del genere.

Dichiarazione di conformità dell'Unione Europea

Informazioni sullo smaltimento per gli utenti di apparecchiature elettriche ed elettroniche



Questo simbolo sul prodotto o sulla confezione indica che i prodotti elettrici ed elettronici usati non devono essere smaltiti insieme ai rifiuti urbani non differenziati. Per un trattamento adeguato, è respon-

sabilità dell'utente smaltire l'apparecchiatura presso gli appositi punti di raccolta.

Il corretto smaltimento di questo prodotto aiuta a risparmiare preziose risorse e a prevenire potenziali effetti negativi sulla salute umana e l'ambiente, che altrimenti potrebbero risultare da una gestione inadeguata dei rifiuti.

Per restituire il dispositivo usato, si prega di utilizzare i canali di restituzione e raccolta o di contattare il rivenditore presso il quale è stato acquistato il prodotto (servizio gratuito); si prega di contattare le autorità locali per ulteriori dettagli sul punto di raccolta più vicino.

La legislazione nazionale applicabile può prevedere sanzioni in caso di smaltimento non conforme di questi rifiuti.

Informazioni agli utenti per lo smaltimento di batterie esauste



Questo simbolo indica che al termine del ciclo di vita, batterie e accumulatori non vanno smaltiti con i rifiuti domestici indifferenziati. Il contributo degli utenti è una parte importante negli sforzi profusi per ridurre al minimo l'impatto di batterie ed accumulatori sull'ambiente e sulla salute umana. Per il corretto riciclaggio, questo prodotto o le batterie o gli accumulatori che contiene possono essere restituiti gratuitamente al fornitore o a un punto di raccolta designato.

Il corretto smaltimento di questo prodotto aiuta a risparmiare preziose risorse e a prevenire potenziali effetti negativi sulla salute umana e l'ambiente, che altrimenti potrebbero risultare da una gestione inadeguata dei rifiuti.

La legislazione nazionale applicabile può prevedere sanzioni in caso di smaltimento non conforme di questi rifiuti.

Ci sono specifici impianti di raccolta differenziata per batterie e accumulatori esausti.

Conferire batterie e accumulatori correttamente all'isola ecologica del comune di residenza.

Direttiva sulle restrizioni d'uso di determinate sostanze pericolose (RoHS)

Ecovacs Home Service Robotics Co., Ltd. dichiara che l'intero prodotto, comprese le sue parti (cavi, fili e così via), soddisfa i requisiti della direttiva RoHS 2011/65/UE così come modificata dalla Direttiva Delegata (UE) 2015/863 della Commissione sulle restrizioni d'uso di determinate sostanze pericolose nelle apparecchiature elettriche ed elettroniche ("modifiche a RoHS" o "RoHS 2.0").

Direttiva sulle apparecchiature radio

Ecovacs Home Service Robotics Co., Ltd. dichiara che il prodotto specificato nella presente sezione è conforme ai requisiti essenziali e ad altre disposizioni rilevanti della Direttiva sulle apparecchiature radio 2014/53/UE.

Rappresentante autorizzato per l'Europa:



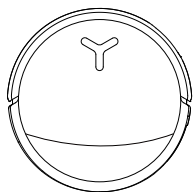
ECOVACS Europe GmbH
Holzstrasse 2 | D-40221 Düsseldorf | Germania

Ecovacs Home Service Robotics Co., Ltd. dichiara che il prodotto è conforme ai requisiti essenziali e ad altre disposizioni rilevanti della Direttiva RoHS 2011/65/UE, così come modificata dalla Direttiva delegata (UE) 2015/863 della Commissione, e della Direttiva sulle apparecchiature radio 2014/53/UE. La dichiarazione di conformità può essere visualizzata al seguente indirizzo:

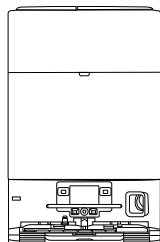
<https://www.ecovacs.com/global/compliance>

COMPONENTI DELLA CONFEZIONE

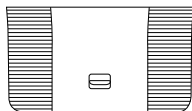
1 Contenuto della confezione



DEEBOT



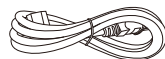
Stazione OMNI



Base



Manuale di istruzioni



Cavo di alimentazione

* Le illustrazioni nel presente manuale sono solo per riferimento e potrebbero non rappresentare esattamente l'apparecchio. Il design e le specifiche del prodotto sono soggetti a modifiche senza preavviso.

2 Schema del prodotto

1. DEEBOT visto di fronte

Pulsanti sul DEEBOT:

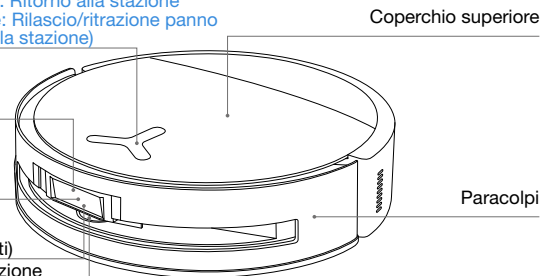
Pressione normale: Avvio/Pausa/Continua in sequenza
Pressione per 3 s: Ritorno alla stazione
Doppia pressione: Rilascio/ritrazione panno (DEEBOT non nella stazione)

Modulo di aggiramento degli ostacoli

Telecamera AI

Luce supplementare (solo su modelli selezionati)

Modulo di navigazione



2. DEEBOT visto da sotto

Sensori anti-caduta

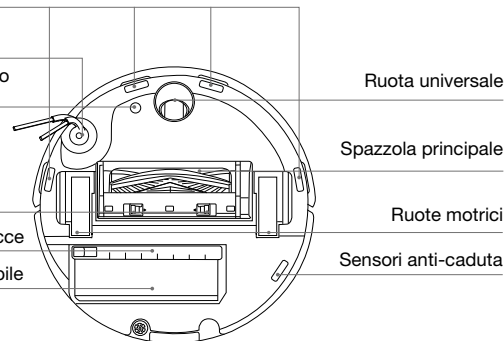
Spazzola laterale

Sensore di rilevamento tappeto

Pulsante rilascio spazzola

Vaschetta raccogliocce

Panno a rullo sostituibile

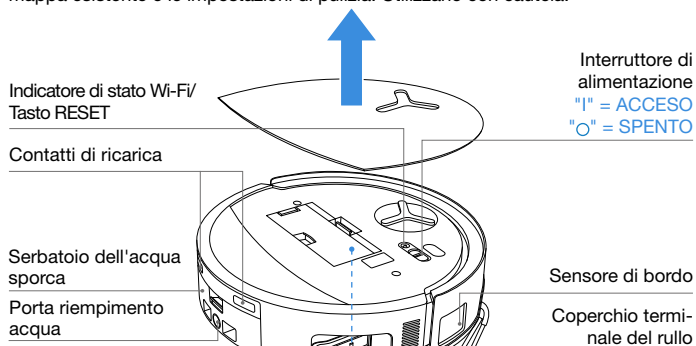


3. Interno di DEEBOT (sotto il coperchio superiore)

Tasto RESET

Configurazione di rete: Premere il tasto RESET e seguire il messaggio vocale per configurare la rete.

Ripristino delle impostazioni predefinite: Premere il tasto RESET e tenerlo premuto per 5 s. Viene prima riprodotto il messaggio vocale, poi la musica di avvio e quindi DEEBOT viene ripristinato alle impostazioni predefinite. Il ripristino cancellerà la mappa esistente e le impostazioni di pulizia. Utilizzarlo con cautela.



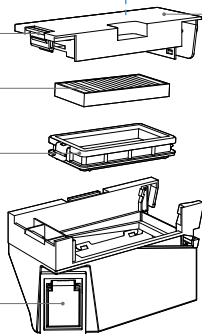
4. Vaschetta raccogli-polvere

Fermo del filtro

Filtro

Rete filtrante

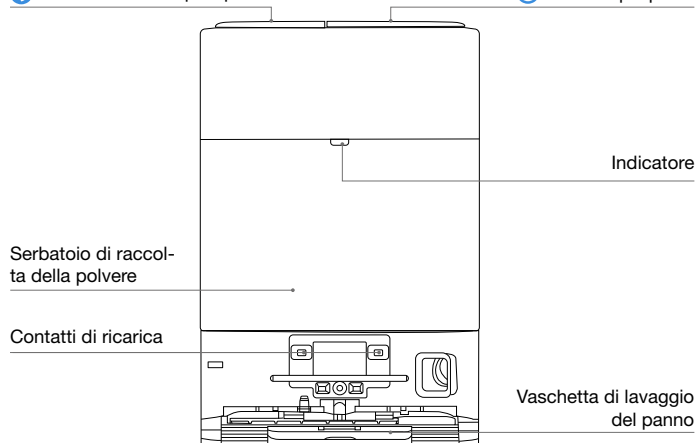
Portello di rimozione polvere



5. Stazione OMNI

Serbatoio dell'acqua sporca

Serbatoio dell'acqua pulita

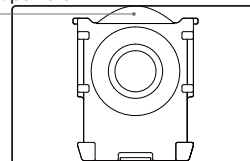


Nota:

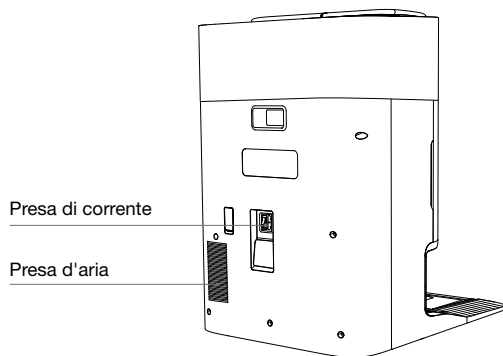
- Lampeggio in rosso: Controllare l'app ECOVACS HOME per conoscere la causa.
- Se DEEBOT non si ricarica, pulire i contatti di ricarica con un panno asciutto e pulito.

6. Sacchetto della polvere

Maniglia sacchetto della polvere



7. Stazione OMNI (retro)



8. Spia

Indicatore	Effetto luce	Stato
DEEBOT	Lampeggio lento in bianco	In carica
	Luce fissa bianca	Completamente carico/In funzione
	Rosso fisso	Batteria in esaurimento
	Lampeggio in rosso	Malfunzionamento
Stazione	Luce fissa bianca	Standby/In funzione
	Lampeggio in rosso	Malfunzionamento
	Si spegne	Interruzione elettrica/Modalità di sospensione profonda

9. Panoramica dei sensori

Nome	Descrizione della funzione
Modulo di navigazione	Basata sulla differenza temporale di riflessione, la misurazione laser viene utilizzata per misurare la distanza tra DEEBOT ed oggetti circostanti, consentendo al modulo di mappare gli oggetti intorno man mano che DEEBOT avanza. La distanza di rilevamento è di 10 m.
Modulo di aggiramento degli ostacoli	La misurazione a infrarossi e triangolazioni simili vengono utilizzate per misurare la distanza tra oggetti circostanti e DEEBOT. Quando il sensore rileva un oggetto nelle vicinanze, DEEBOT devia automaticamente per evitare di urtare l'oggetto. La distanza di rilevamento è di 0,3 m.
Sensori anti-caduta	Con la misurazione a infrarossi e utilizzando i sensori a infrarossi sul fondo di DEEBOT, viene rilevata la distanza tra il fondo di DEEBOT e il pavimento. DEEBOT non avanza quando rileva scale davanti (cioè quando l'altezza della superficie bianca è pari o superiore a 55 mm o l'altezza della superficie nera è pari o superiore a 30 mm) e l'altezza identificata supera quella preimpostata, realizzando la funzione anti-caduta.
Sensore di rilevamento tappeto	Il sensore emette ultrasuoni a 300 kHz, e in presenza di un tappeto, l'energia riflessa risulta inferiore al valore di soglia. In questo modo DEEBOT rileva la presenza di un tappeto. Nel laboratorio ECOVACS sono stati identificati più di 50 tipi di tappeti presenti sul mercato.
Sensore anti-collisione	Basandosi sul principio dell'optoaccoppiatore, DEEBOT evita gli ostacoli in traiettoria di collisione.
Sensore di bordo	Con la misurazione a infrarossi, il sensore di bordo rileva la distanza tra DEEBOT e gli oggetti presenti ai lati. In presenza di una parete o di ostacoli a destra, DEEBOT esegue la pulizia dei bordi per evitare di tralasciare punti, prevenendo collisioni.
Telecamera AI	La telecamera AI viene utilizzata per acquisire immagini dell'ambiente circostante. Anche per registrare video. Con il supporto del microfono è possibile effettuare videochiamate da remoto (con alcuni modelli).

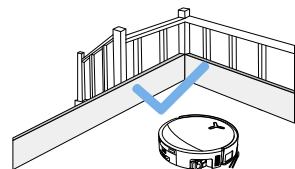
CONFIGURAZIONE INIZIALE E UTILIZZO

1 Note prima della pulizia



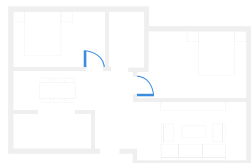
Approntare la zona da pulire

Per coprire al meglio la zona di pulizia, collocare mobili e arredi, quali tavoli, sedie e poltrone al loro posto designato e togliere di mezzo oggetti a pavimento, per es. bilance e vasi, prima di procedere con la configurazione di DEEBOT.



Impedire che DEEBOT possa cadere

Mettere una barriera fisica davanti ai dislivelli, per es. presso rampe di scale e gradini, per impedire a DEEBOT di cadere oltre il bordo.

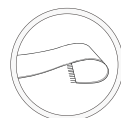


Aprire le porte e aiutare DEEBOT a esplorare

Aprire le porte di tutte le stanze per aiutare DEEBOT a esplorare accuratamente la casa in occasione del primo utilizzo.



Rimuovere gli oggetti lasciati sul pavimento, come fili, indumenti e pantofole, per migliorare l'efficienza di pulizia.



Prima di utilizzare il prodotto su un tappeto con bordi frangiati, infilare le frange sotto il tappeto.



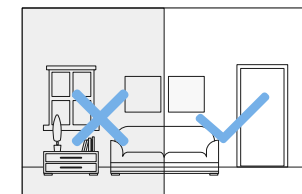
Non sostare in spazi stretti, come quelli dei corridoi, per evitare di ostruire il modulo di navigazione.



Assicurare un'illuminazione sufficiente

Provvedere affinché tutte le aree da pulire siano ben illuminate, in modo che la telecamera AI di DEEBOT possa accuratamente evitare ostacoli quali scarpe, calzini e fili.

Assicurare che DEEBOT abbia una visione chiara ed evitare di graffiare o di sporcare la lente della telecamera AI con impronte digitali o macchie di unto. Utilizzare un panno pulito e morbido per pulire la telecamera, evitando agenti pulenti, detergenti o spray.

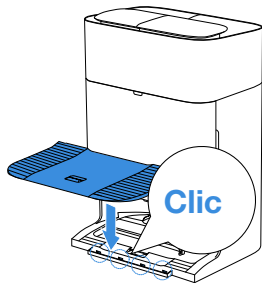


2 Guida rapida

Rimuovere tutti i materiali protettivi prima dell'uso.

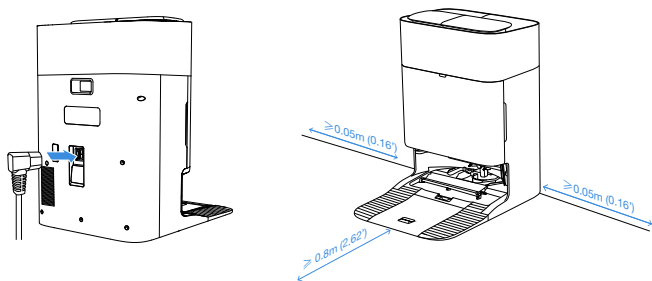
1. Installazione

La corretta installazione è confermata con l'emissione di un "clac".



2. Assemblare e posizionare la stazione

Posizionare la stazione OMNI contro la parete di una superficie piana e rigida.
Non collocare oggetti entro 0,05 m di distanza su entrambi i lati e 0,8 m davanti.



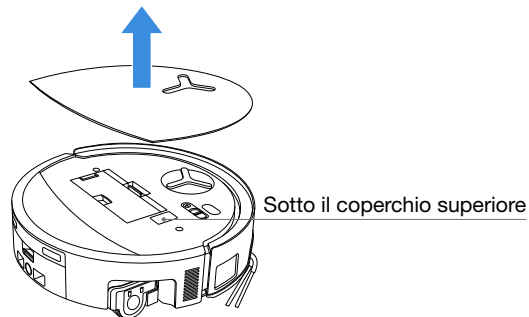
Nota:

- Se nei pressi della stazione sono presenti superfici riflettenti quali quelle di specchi e di battiscopa lucidi, bisogna coprire i 14 cm inferiori di dette superfici.
- Non esporre la stazione alla luce diretta del sole o ad ambienti con temperature elevate.
- Per l'esperienza di utilizzo ottimale, collocare la stazione in un posto con segnale Wi-Fi forte.
- Non utilizzare l'apparecchio su superfici umide o bagnate.
- Non pulire DEEBOT e la stazione con un panno umido né utilizzare liquidi.

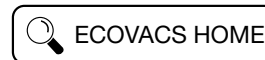
3 Scaricare l'app ECOVACS HOME

Per usufruire di tutte le funzionalità disponibili, si consiglia di gestire DEEBOT tramite l'app ECOVACS HOME.

Scansionare il codice QR sotto il coperchio superiore per scaricare l'app.





Oppure cercare "ECOVACS HOME" sull'App Store o su Google Play per scaricare l'app.



Nota: Seguire le istruzioni nell'app per completare la registrazione, il login e la connessione.

4 Associazione di DEEBOT all'app

Tramite Bluetooth: Accendere DEEBOT e attivare il Bluetooth del cellulare. Consentire all'app di ottenere l'autorizzazione Bluetooth del cellulare. Toccare per scansionare il codice QR su DEEBOT oppure toccare  o  nell'app per trovare il DEEBOT nelle vicinanze.


Tramite Wi-Fi: È anche possibile scegliere di associare DEEBOT all'app con altri metodi, in conformità alle istruzioni sulla pagina dell'app.

Nota: L'esperienza ottimale è assicurata con la connessione Bluetooth.

Requisiti della rete Wi-Fi:

- Rete a 2.4 GHz o mista a 2.4/5 GHz.
- Router che supporta 802.11b/g/n e il protocollo IPv4.
- Non utilizzare una VPN (rete privata virtuale) o un server proxy.
- Non utilizzare una rete nascosta.
- WEP EAP (Enterprise Authentication Protocol) non è supportato.
- Utilizzare i canali Wi-Fi 1-11 in Nord America e i canali 1-13 fuori dal Nord America (fare riferimento all'agenzia di regolamentazione locale).
- Se si utilizza un estensore/ripetitore di rete, il nome della rete (SSID) e la password devono essere gli stessi della rete principale.
- Abilitare il WPA2 sul router.

Spia Wi-Fi

	Lampeggio lento in bianco	Disconnesso dal Wi-Fi
	Lampeggio veloce in bianco	Connessione in corso
	Luce fissa bianca	Collegato al Wi-Fi

Notare che le funzionalità intelligenti quali l'avvio, la visualizzazione mappe 2D/3D e le impostazioni di controllo da remoto, la pulizia personalizzata (offerta su determinati apparecchi) e simili, richiedono l'app ECOVACS HOME, la quale viene costantemente aggiornata. Per utilizzare determinate funzionalità dell'app ECOVACS HOME e gestire l'apparecchio, è necessario consentirci di trattare alcune informazioni essenziali e necessarie accettando la nostra Informativa sulla privacy e il Contratto con l'utente. Non accettando la nostra Informativa sulla privacy e il Contratto con l'utente, dette funzionalità non saranno disponibili. Tuttavia, le funzionalità basilari dell'apparecchio resteranno comunque disponibili per la gestione manuale.

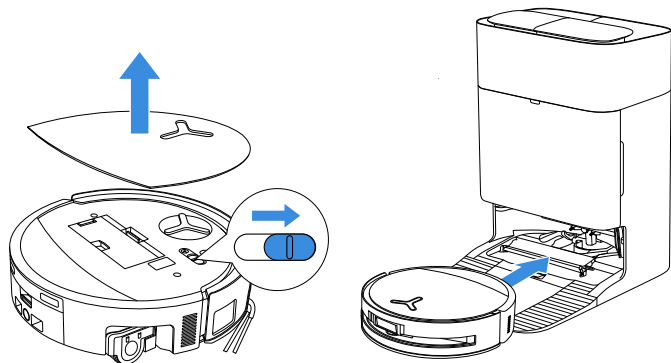
Informazioni sull'interfaccia di rete

Nome	Descrizione
Interfaccia a infrarossi	L'interfaccia a infrarossi è disattivata per impostazione predefinita e viene attivata quando il robot si trova nella stazione di ricarica. Trovandosi nella stazione di ricarica, DEEBOT comunica con quest'ultima tramite l'interfaccia a infrarossi.
Bluetooth	Abilitare il Bluetooth per connettere il robot alla rete durante il processo di configurazione di rete. Il Bluetooth utilizza il servizio GAP1800, GATT 1801, 8888 per la configurazione e l'interazione dei dati sicure.
Wi-Fi*	Facilita il trasferimento dei dati tra l'app e il robot, consentendo il controllo del robot tramite l'app.
App ECOVACS HOME	I prodotti ECOVACS offrono funzioni intelligenti quali la configurazione di rete, la mappatura e la selezione della modalità di pulizia (specifica per ciascun prodotto). Per utilizzare queste funzionalità, gli utenti devono scaricare e utilizzare l'app ufficiale ECOVACS HOME.

* I robot aspirapolvere della serie DEEBOT sono progettati per scenari di pulizia domestica. Per il funzionamento è necessaria una rete Wi-Fi domestica, e la protezione anti-DDOS deve essere configurata dagli utenti tramite le impostazioni del router.

5 Accensione e ricarica di DEEBOT

Attivare l'interruttore di alimentazione sotto il coperchio di DEEBOT ("I" = **ACCE-**
SO, "O" = **SPENTO**), e posizionare DEEBOT davanti alla stazione collegata all'alimentazione, quindi riportare DEEBOT alla stazione.

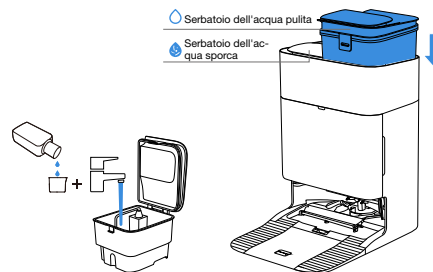


Nota:

- DEEBOT non può ricaricarsi quando è spento.
- Dopo la pulizia è consigliato lasciare DEEBOT acceso e in carica, in modo da averlo pronto per la sessione di pulizia successiva.
- Avviare la pulizia dalla stazione. Non spostare la stazione durante la pulizia.

6 Riempire il serbatoio dell'acqua pulita

Riempire il serbatoio dell'acqua pulita con acqua pulita. Aggiungere una quantità adeguata di soluzione detergente con un rapporto di diluizione di 1:200 utilizzando il tappo del flacone. Assicurare il coperchio del serbatoio, agitare delicatamente per mescolare e poi utilizzare.



Nota:

- Quando il serbatoio dell'acqua pulita è pieno (circa 4 litri), aggiungere un tappo di soluzione detergente (circa 20 ml).
- Non aggiungere acqua calda, perché può comportare la deformazione del serbatoio dell'acqua.
- Se rimangono macchie d'acqua sull'esterno del serbatoio dell'acqua, rimuoverle con un panno asciutto e morbido prima di rimetterlo in sede per l'uso.
- Non aggiungere soluzioni detergenti non ufficiali ECOVACS, in quanto potrebbero danneggiare il prodotto.
- Eventuali macchie d'acqua all'interno del serbatoio dell'acqua derivano dai test in fabbrica. Utilizzare senza preoccuparsi.

7 Azionare DEEBOT

1. Avvio della mappatura


La prima volta che viene creata una mappa, seguire DEEBOT per fornire qualche piccolo aiuto.

Per esempio qualora DEEBOT dovesse restare bloccato sotto mobili e arredi. Fare riferimento alle seguenti soluzioni:


① Se possibile, sollevare mobili e arredi bassi; ② Coprire la parte inferiore di mobili e arredi.

2. Avvio della pulizia


- Il serbatoio dell'acqua di DEEBOT viene riempito in automatico tramite la stazione. Il riempimento manuale non è richiesto.
- Durante il lavaggio, DEEBOT riconosce i tipi di pavimento ed è in grado di sollevare in automatico il panno a rullo imbattendosi in un tappeto. Non utilizzare DEEBOT su tappeti pelosi o moquette con fibre più lunghe di 10 mm. È consigliato ripiegare i tappeti pelosi con fibre più lunghe di 10 mm durante il processo di pulizia e di impostare un confine virtuale nell'app ECOVACS HOME.

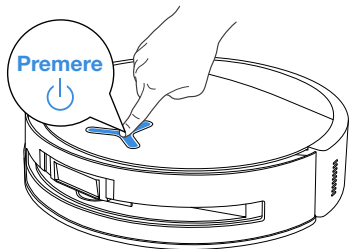
In vista della prima pulizia, provvedere affinché DEEBOT sia agganciato alla stazione e completamente carico. Toccare  su DEEBOT per avviare. DEEBOT può essere avviato anche usando l'app ECOVACS HOME.

3. Pausa


Toccare  su DEEBOT per metterlo in pausa mentre è in azione. DEEBOT può essere messo in pausa anche usando l'app ECOVACS HOME.

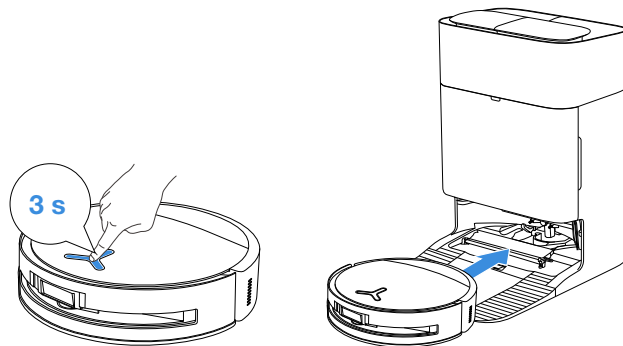
4. Riattivazione

Dopo un certo periodo di sospensione, tutte le spie su DEEBOT si spengono. Per riattivare DEEBOT, premere brevemente il pulsante  oppure utilizzare l'app ECOVACS HOME.



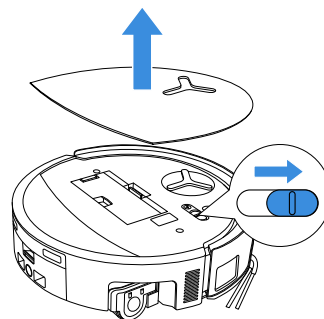
5. Ritorno alla stazione

Utilizzare l'app ECOVACS HOME per richiamare DEEBOT, o tenere premuto il pulsante  su DEEBOT per 3 secondi per consentire a DEEBOT di agganciarsi per la ricarica.



6. Modalità di sospensione profonda

Restando fuori dalla stazione per circa 10 ore, per proteggere la batteria, DEEBOT entra in modalità di sospensione profonda. Per riattivare DEEBOT, disattivarlo e poi attivarlo di nuovo. Se non risponde, far agganciare DEEBOT alla stazione per la ricarica.



MANUTENZIONE ORDINARIA

Frequenza di manutenzione

Per preservare il funzionamento di DEEBOT con prestazioni di punta, eseguire la manutenzione e sostituire i componenti con la seguente frequenza:

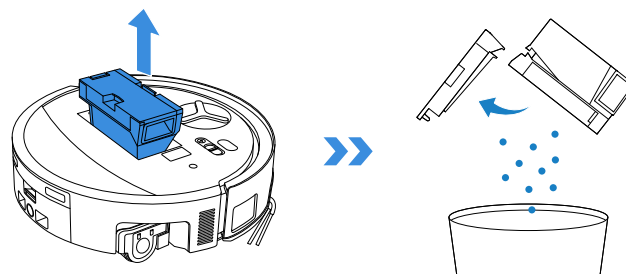
Parte DEEBOT	Frequenza di manutenzione	Frequenza di sostituzione
Panno a rullo lavabile	/	Ogni 1-2 mesi
Serbatoio dell'acqua sporca	Ogni settimana	/
Vaschetta raccogli-gocce	Ogni settimana	/
Sacchetto della polvere	/	Quando l'app invita a farlo
Spazzola laterale	Ogni 2 settimane	Ogni 3-6 mesi
Spazzola principale	Ogni settimana	Ogni 6-12 mesi
Filtro	Ogni settimana	Ogni 3-6 mesi
Ruota universale Sensori anti-caduta Sensore di bordo Paracolpi Contatti di ricarica su DEEBOT Contatti di ricarica sulla stazione OMNI Modulo di navigazione Modulo di aggiramento degli ostacoli Fotocamera AI	Circa ogni mese	/
Serbatoio dell'acqua pulita	Ogni 3 mesi	/
Serbatoio dell'acqua sporca	Ogni mese	/
Serbatoio di raccolta della polvere	Ogni mese	/
Corpo e fondo della stazione	Ogni mese	/
Vaschetta di lavaggio del panno	Ogni 5 mesi	/

Altri accessori nell'app ECOVACS HOME o su <https://www.ecovacs.com>

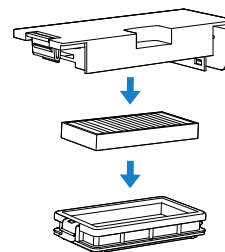
Manutenzione DEEBOT

1 Manutenzione della vaschetta raccogli-polvere e del filtro

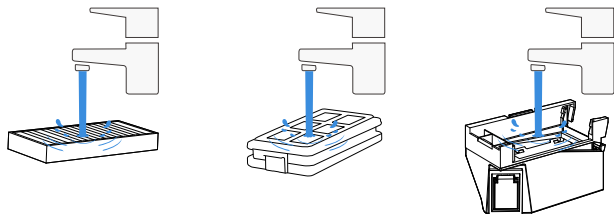
1. Rimuovere la vaschetta raccogli-polvere e svuotarla.



2. Aprire la rete filtrante e rimuovere il filtro.



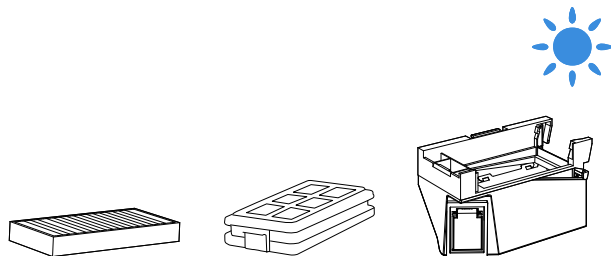
3. Sciacquare la vaschetta raccogli-polvere e il filtro con acqua ed eliminare le gocce d'acqua scuotendo.



Nota:

- Sciacquare il filtro con acqua come da illustrazione.
- Non utilizzare le dita o una spazzola per pulire il filtro.

4. Lasciare asciugare all'aria la vaschetta raccogli-polvere e il filtro.



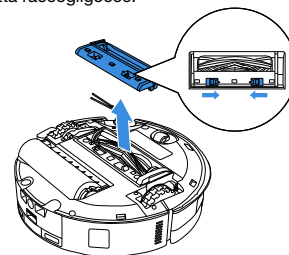
Nota: Asciugare completamente i componenti della vaschetta raccogli-polvere prima dell'uso.

2 Manutenzione della spazzola principale e della spazzola laterale

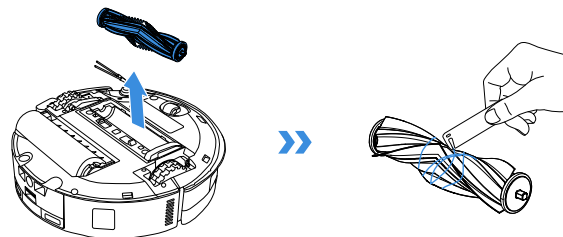
Pulizia della spazzola principale

1. Rimuovere il coperchio dalla spazzola principale.

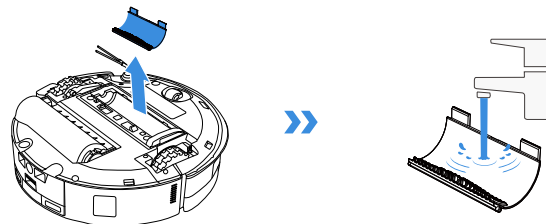
Nota: Prima di capovolgere DEEBOT, svuotare l'acqua residua dal serbatoio dell'acqua sporca e dalla vaschetta raccogli-gocce.



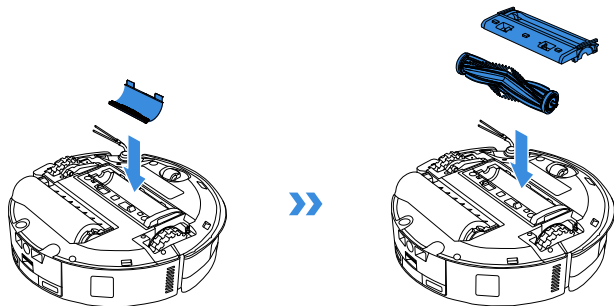
2. Rimuovere e pulire la spazzola principale.



3. Rimuovere, pulire e asciugare il pettine della spazzola.

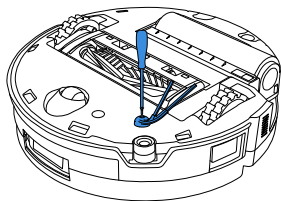


4. Installare il pettine della spazzola, la spazzola principale e il coperchio.



Pulizia della spazzola laterale

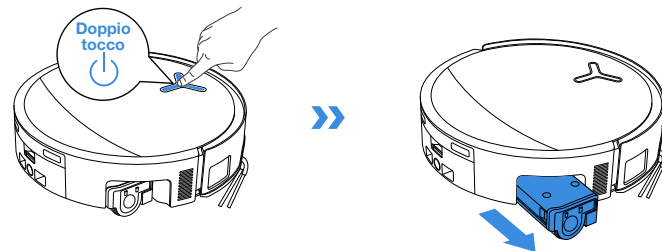
Rimuovere la spazzola laterale utilizzando un cacciavite e pulirla.



3 Manutenzione del panno a rullo

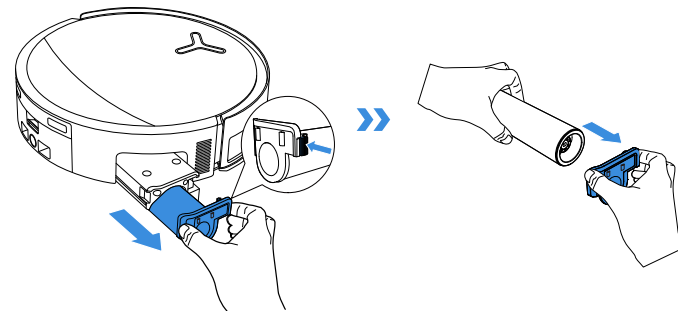
Pulire il panno a rullo

1. Toccare due volte il pulsante  per disimpegnare il componente del panno a rullo.

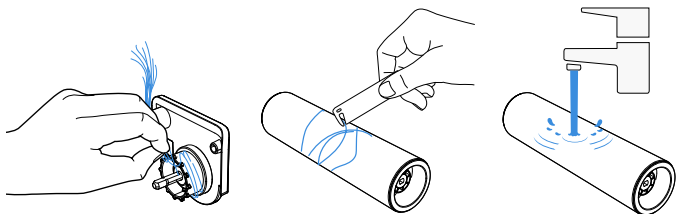


Nota: Non tirare con forza il rullo mentre è represso, altrimenti si rischiano danni al componente del panno a rullo.

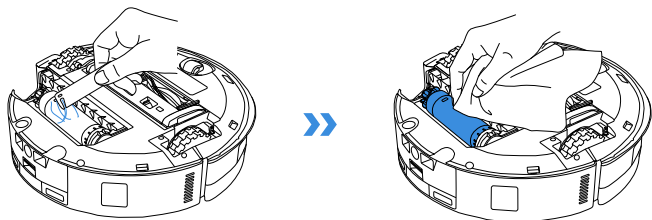
2. Premere il pulsante laterale di sblocco per rimuovere il rullo.




3. Pulire il panno a rullo.

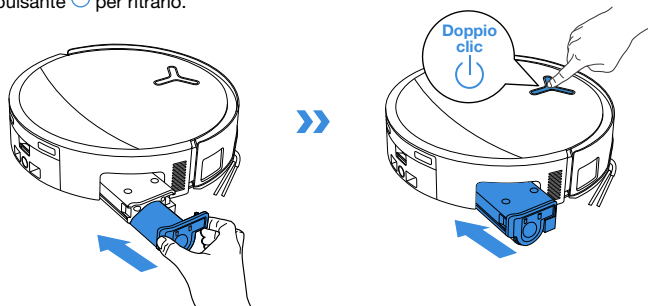


4. Pulire l'interno del rullo.



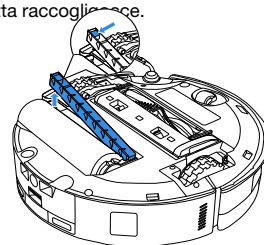
Nota: Non lavare DEEBOT con acqua.

5. Spingere il panno a rullo nel coperchio terminale del rullo e toccare due volte il pulsante  per ritrarlo.



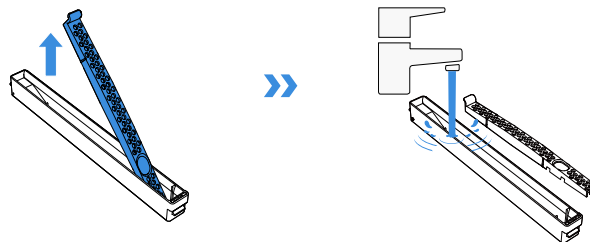
4 Manutenzione della vaschetta raccogliocce

1. Rimuovere la vaschetta raccogliocce.

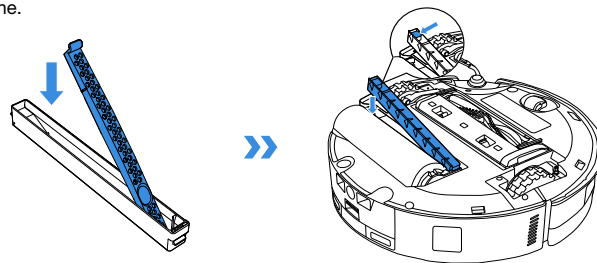


Nota: Una piccola quantità di acqua residua può fuoriuscire capovolgendo DEEBOT se non è in modalità di asciugatura.

2. Rimuovere e pulire i componenti della vaschetta raccogliocce.

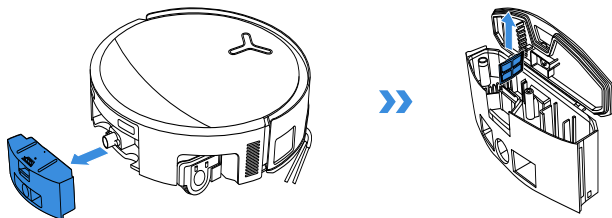


3. Installare i componenti del filtro della vaschetta raccogliocce come da illustrazione.

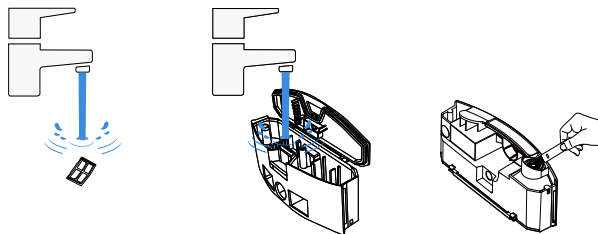


5 Manutenzione del serbatoio dell'acqua sporca

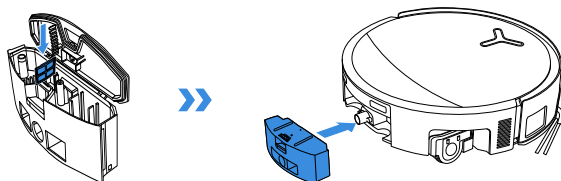
1. Rimuovere il serbatoio dell'acqua sporca e la rete filtrante.



2. Pulire la rete filtrante, la scatola e l'uscita delle acque reflue.



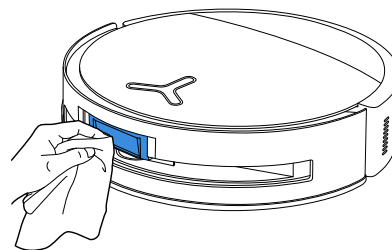
3. Reinstallare il filtro, premere bene, quindi rimontare il coperchio del serbatoio dell'acqua sporca.



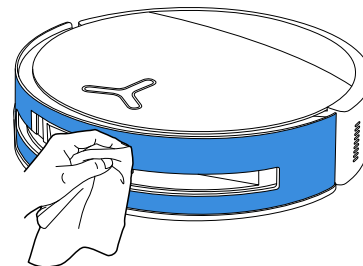
Premere con decisione il coperchio del serbatoio dell'acqua sporca nella direzione guidata fino a quando il suo piano non è completamente a filo con il bordo superiore del serbatoio per garantire una tenuta ermetica.

6 Manutenzione di altri componenti

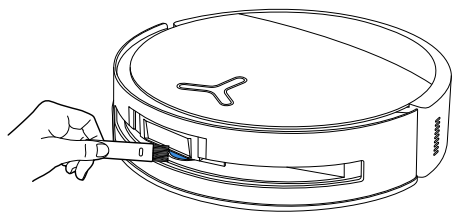
Pulire la lente del modulo di aggiramento degli ostacoli



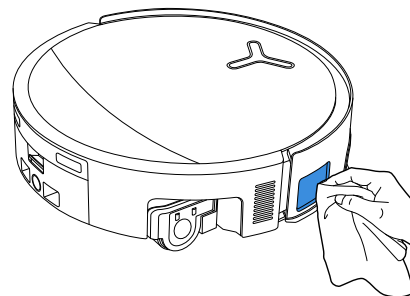
Pulire il paracolpi



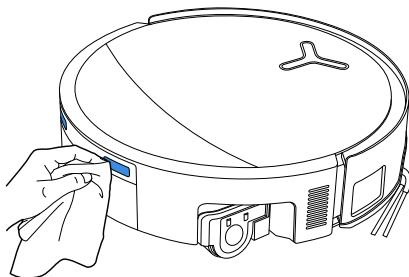
Pulire il modulo di navigazione



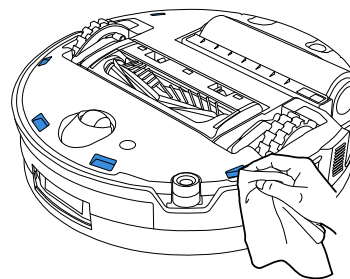
Pulire il sensore di bordo



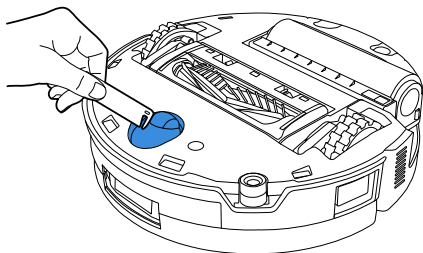
Pulire i contatti di ricarica



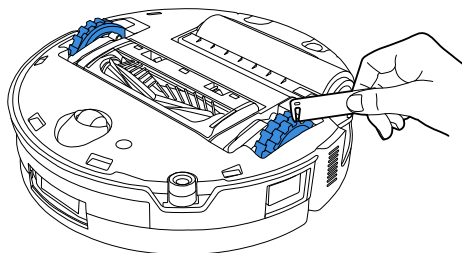
Pulire i sensori anti-caduta



Pulire la ruota universale



Pulire le ruote motrici



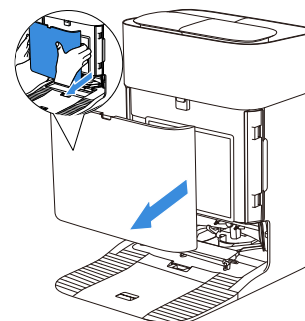
Nota:

- Altri accessori nell'app ECOVACS HOME o su <https://www.ecovacs.com>.
- Pulire i componenti con un panno asciutto e pulito. Non usare mai un panno bagnato. Non utilizzare spray detergenti o detersivi per la pulizia.

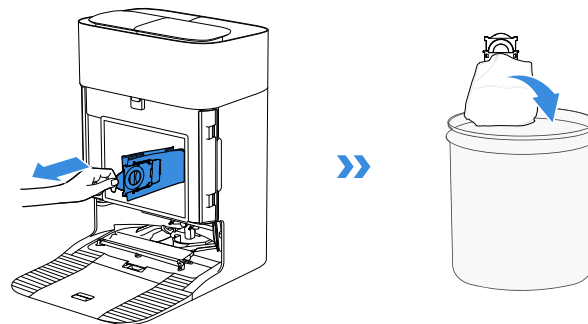
Manutenzione della stazione

1 Manutenzione della vaschetta raccogli-polvere

1. Rimuovere il coperchio del serbatoio di raccolta della polvere.

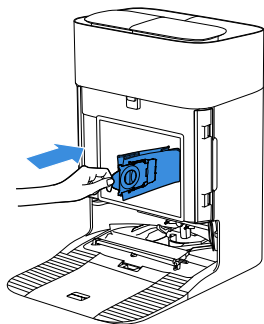


2. Rimuovere il sacchetto della polvere monouso nella direzione della freccia e smaltirlo.

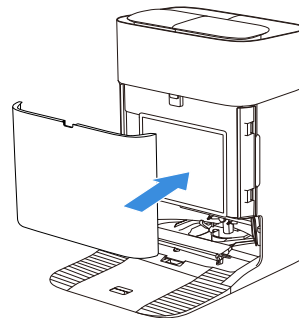


Nota: Tenere la maniglia per sollevare il sacchetto della polvere, in modo da evitare efficacemente la fuoriuscita di polvere.

3. Pulire il serbatoio di raccolta della polvere con un panno asciutto e installare un nuovo sacchetto della polvere.

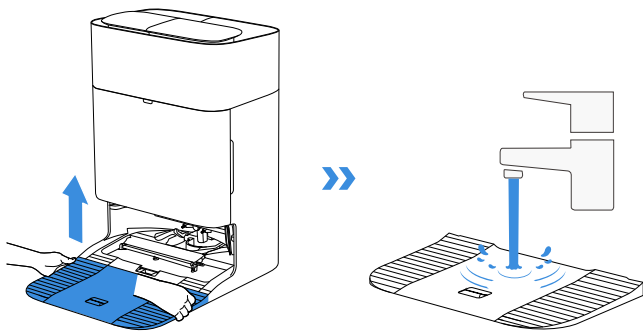


4. Inserire il fermo superiore del coperchio del serbatoio di raccolta della polvere nell'apertura, quindi premere verso il basso per garantire una tenuta adeguata.

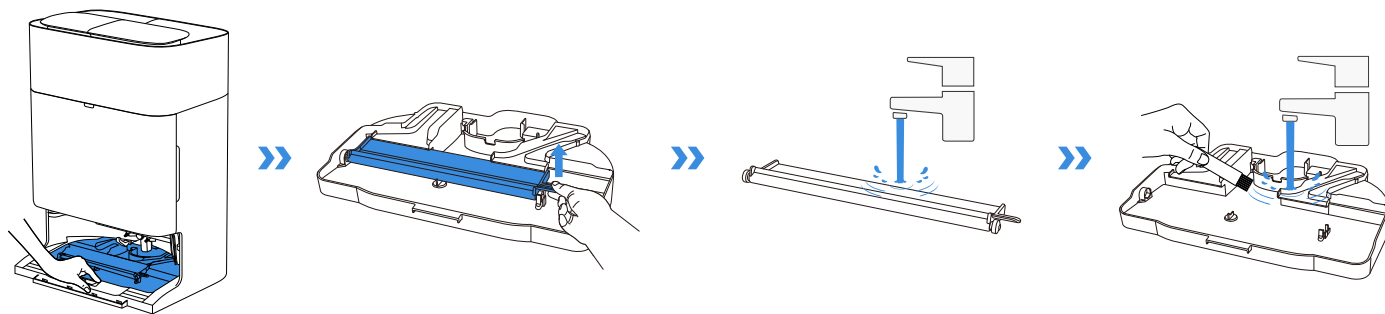


2 Manutenzione della vaschetta di lavaggio del panno

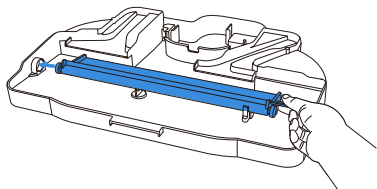
1. Rimuovere e pulire la base della stazione.



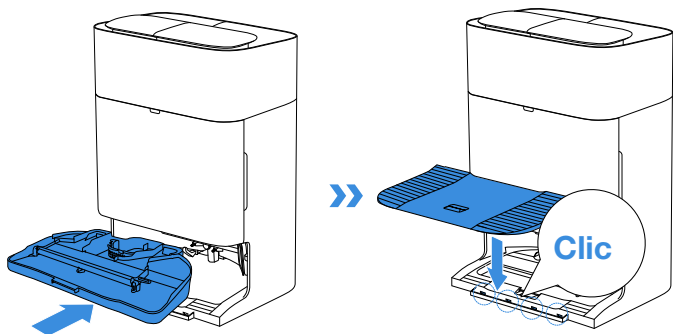
2. Rimuovere e pulire la vaschetta di lavaggio del panno e la vaschetta di ammollo.



3. Installare la vaschetta di ammollo.



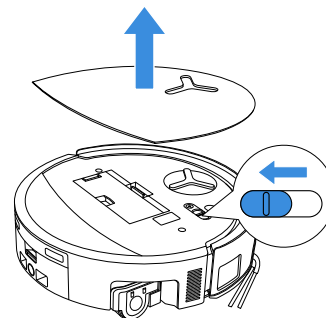
4. Installare la vaschetta di lavaggio del panno e la base.



Nota: Installare correttamente la vaschetta e la base per prevenire malfunzionamenti.

3 Memoria

Caricare completamente e spegnere DEEBOT prima di riportarlo. Ricaricarlo ogni 1,5 mesi per evitare che la batteria si scarichi eccessivamente.



! Notare che DEEBOT non può ricevere carica quando è spento.

Nota:

- Terminata l'attività di pulizia, si consiglia di non spegnere DEEBOT, ma di lasciarlo in carica, in modo da averlo approntato per la sessione di pulizia successiva.
- Se la batteria si è scaricata eccessivamente a causa di inutilizzo prolungato, DEEBOT potrebbe non ricaricarsi.


Contattare ECOVACS per assistenza. Non disassemblare la batteria autonomamente.

- Prevedendo di non utilizzare il prodotto per un periodo prolungato, svuotare il serbatoio dell'acqua sporca e il serbatoio dell'acqua pulita e lasciare asciugare il panno.

RISOLUZIONE DEI PROBLEMI


Per i seguenti potenziali problemi, fare riferimento alle corrispondenti soluzioni.

N.	Malfunzionamento	Possibile causa	Soluzione
1	DEEBOT non è in grado di connettersi all'app ECOVACS HOME.	Nome utente o password Wi-Fi inseriti non corretti.	Inserire il nome utente e la password Wi-Fi corretti.
		DEEBOT non si trova nella copertura del segnale Wi-Fi domestico.	Provvedere affinché DEEBOT venga a trovarsi nella copertura del segnale Wi-Fi domestico. Cercare di stare il più vicino possibile al router.
		DEEBOT non è nello stato di configurazione.	Premere il tasto Reset per collegare DEEBOT al telefono tramite Bluetooth. Se l'operazione non va a buon fine, ricollegare tramite l'app ECOVACS HOME.
		Non è presente una rete Wi-Fi domestica nell'elenco delle reti Wi-Fi.	1. Controllare se il nome della rete Wi-Fi contiene caratteri speciali. Non utilizzare caratteri speciali come! @#& ¥%^\. 2. Non utilizzare una rete 5 GHz.
		È stata installata un'app non corretta.	Scaricare e installare l'app ECOVACS HOME.
2	Impossibile creare la mappa di mobili e arredi nell'app.	La mappa può andare perduta spostando DEEBOT durante la pulizia.	Durante la pulizia, non spostare DEEBOT.
		La pulizia automatica non è completata.	Attendere che DEEBOT torni in automatico alla stazione OMNI dopo la pulizia.
		La modalità multi-piano non era abilitata quando è stata creata la seconda mappa.	Abilitare la modalità multi-piano nell'app.
3	La spazzola laterale esce dall'alloggiamento durante l'uso.	La spazzola laterale non è installata correttamente.	Quando si installa la spazzola laterale con un cacciavite, assicurarsi che la vite sia ben serrata.
4	Segnale non rilevato. Impossibile tornare alla stazione.	La stazione OMNI non è posizionata correttamente.	Posizionare correttamente la stazione in conformità alle istruzioni nella sezione [Accensione e ricarica di DEEBOT] .
		La stazione OMNI non è alimentata o è stata spostata.	Verificare che la stazione OMNI sia collegata all'alimentazione. Non spostare la stazione OMNI.
		DEEBOT non inizia la pulizia dalla stazione OMNI.	È consigliato che DEEBOT inizi la pulizia dalla stazione OMNI.
		Il percorso di aggancio è bloccato. Per esempio, la porta della stanza in cui è collocata la stazione OMNI è chiusa.	Mantenere libero il percorso di ricarica.

N.	Malfunzionamento	Possibile causa	Soluzione
5	DEEBOT torna alla stazione OMNI prima di aver completato la pulizia.	La dimensione della stanza è tale che DEEBOT deve tornare alla stazione per la ricarica.	Abilitare la ripresa automatica. Per maggiori dettagli, seguire le istruzioni dell'app.
		In caso di layout della casa molto complessi, l'efficienza di pulizia può diminuire, con il rischio di una pulizia incompleta.	Semplificare il layout della casa.
6	DEEBOT non riesce a ricaricarsi.	DEEBOT non è acceso.	Accendere DEEBOT.
		I contatti di ricarica di DEEBOT non sono collegati ai contatti di ricarica della stazione OMNI.	Assicurarsi che i contatti di ricarica di DEEBOT siano collegati ai contatti di ricarica della stazione e che  lampeggi. Controllare se i contatti di ricarica di DEEBOT e della stazione OMNI sono sporchi. Pulire queste parti in conformità alle istruzioni nella sezione [MANUTENZIONE ORDINARIA] .
		La stazione OMNI non è collegata all'alimentazione.	1. Assicurarsi che la stazione OMNI sia collegata all'alimentazione. 2. Una volta collegata l'alimentazione, verificare che si senta il suono di avvio del motore.
		La base non è stata installata nella corretta sede.	Fare riferimento alla sezione [Guida rapida] per la corretta installazione.
7	DEEBOT è molto rumoroso durante la pulizia.	La spazzola principale/laterale è restata impigliata, o la vaschetta raccogli-polvere/il filtro è intasata/o.	È consigliato effettuare regolarmente la pulizia di spazzola principale, spazzola laterale, vaschetta raccogli-polvere, panno a rullo, filtro, ecc.
		DEEBOT è in modalità Aspirazione forte o in modalità Potenza di aspirazione max.	Passare alla modalità Standard.
8	DEEBOT si blocca mentre è in attività e si arresta.	DEEBOT è restato impigliato in oggetti sul pavimento (cavi elettrici, tende, frange di tappeti, ecc.).	DEEBOT proverà a liberarsi in vari modi. Se i tentativi falliscono, rimuovere manualmente gli ostacoli e riavviare.
		DEEBOT può rimanere bloccato sotto mobili in cui riesce a entrare a malapena.	Sollevarlo il mobile, posizionare una barriera fisica o impostare un confine virtuale tramite l'app ECOVACS HOME.
		DEEBOT è restato bloccato in un'area stretta.	Mettere in ordine la casa, posizionare una barriera fisica o impostare un confine virtuale tramite l'app ECOVACS HOME.

N.	Malfunzionamento	Possibile causa	Soluzione
9	Durante la pulizia, DEEBOT può agire con un percorso irregolare e un movimento sbilanciato, o ripetere la pulizia negli stessi punti e mancare piccole aree. (Quando la zona non pulita temporaneamente è grande, DEEBOT è progettato per pulire in automatico l'area mancata. A volta DEEBOT rientra in una stanza già pulita, non per ripetere tutta la pulizia, bensì solo perché DEEBOT ha rilevato una zona mancata.)	Oggetti come cavi e pantofole sul pavimento ostacolano DEEBOT.	Prima di avviare la pulizia, mettere in ordine il più possibile cavi, pantofole e altri oggetti sparsi sul pavimento. Se viene mancata qualche zona durante la pulizia, DEEBOT provvederà in automatico a completarla. Evitare di interferire (per esempio spostando DEEBOT o bloccandone il percorso).
		Le ruote motrici possono slittare sul pavimento quando DEEBOT supera gradini, soglie e sbarre delle porte, compromettendo la sua capacità di valutare l'intero ambiente domestico.	È consigliato chiudere la porta della zona interessata e di pulirla separatamente. Dopo la pulizia, DEEBOT tornerà alla sua posizione iniziale.
		Su pavimenti appena cerati o lucidati, così come su piastrelle lisce, l'attrito tra ruote motrici e pavimento può ridursi.	Attendere che la cera si asciughi prima di avviare la pulizia.
		A causa di variazioni nel layout della casa, alcune zone non sono accessibili a DEEBOT.	Mettere ordine in casa per consentire a DEEBOT di accedere alle zone da pulire.
10	Ritardo nel telecomando.	Il caricamento video è lento a causa di segnale Wi-Fi scadente.	Utilizzare DEEBOT in aree con un buon segnale Wi-Fi.
11	Dopo essere tornato alla stazione OMNI, DEEBOT non svuota la vaschetta raccogli-polvere.	La funzione di svuotamento automatico non è stata attivata nell'app ECOVACS HOME.	Attivare la funzione di svuotamento automatico nell'app ECOVACS HOME.
		La funzione di svuotamento automatico non viene attivata riportando manualmente DEEBOT alla stazione.	È consigliato lasciare che DEEBOT torni autonomamente alla stazione OMNI. Non spostarlo manualmente.
		In modalità Non disturbare, DEEBOT non svuoterà la polvere al ritorno alla stazione OMNI.	Disattivare Non disturbare nell'app ECOVACS HOME o avviare manualmente lo svuotamento della polvere.
		La stazione rileva una riduzione dell'efficienza di svuotamento.	Sostituire il sacchetto della polvere in conformità alla sezione [MANUTENZIONE ORDINARIA] e chiudere il serbatoio di raccolta della polvere. Il sacchetto della polvere potrebbe non essere pieno quando l'app ne richiede la sostituzione; in tal caso va reinserito.
		Controllare se la vaschetta raccogli-polvere è piena e causa un intasamento.	Pulire la vaschetta raccogli-polvere in conformità alla sezione [MANUTENZIONE ORDINARIA] .
		Se le possibili cause sopra indicate sono state escluse, è possibile che alcuni componenti della stazione presentino anomalie.	Contattare il servizio clienti per assistenza.

N.	Malfunzionamento	Possibile causa	Soluzione
12	Svuotamento automatico fallito.	La stazione rileva una riduzione dell'efficienza di svuotamento.	Sostituire il sacchetto della polvere in conformità alla sezione [MANUTENZIONE ORDINARIA] e chiudere il serbatoio di raccolta della polvere. Il sacchetto della polvere potrebbe non essere pieno quando l'app ne richiede la sostituzione; in tal caso va reinserito.
		L'uscita della vaschetta raccogli-polvere è ostruita da oggetti estranei.	Rimuovere la vaschetta raccogli-polvere e rimuovere gli oggetti estranei nell'uscita.
13	L'interno del serbatoio di raccolta della polvere è sporco.	Le particelle fini attraversano il sacchetto della polvere e si accumulano internamente al serbatoio di raccolta della polvere.	Pulire l'interno del serbatoio di raccolta della polvere.
		Il sacchetto della polvere è rotto.	Controllare e sostituire il sacchetto della polvere.
		Il sacchetto della polvere non è installato correttamente.	Installare correttamente il sacchetto della polvere.
		Il coperchio del serbatoio di raccolta della polvere non è chiuso.	Controllare che il coperchio del serbatoio di raccolta della polvere sia chiuso correttamente.
14	Si verificano perdite di polvere quando DEEBOT è in attività.	L'uscita della vaschetta raccogli-polvere è ostruita da oggetti estranei.	Rimuovere la vaschetta raccogli-polvere e rimuovere gli oggetti estranei nell'uscita.
15	Il pannello a rullo non ruota.	Il pannello a rullo non è installato correttamente.	Installare correttamente il pannello a rullo in conformità alla sezione [MANUTENZIONE ORDINARIA] .
		Il pannello a rullo è bloccato da oggetti estranei.	Pulire e installare correttamente il pannello a rullo in conformità alla sezione [MANUTENZIONE ORDINARIA] .
16	La ruota motrice è bloccata.	La ruota motrice è restata impigliata o si è bloccata a causa di oggetti estranei.	Controllare in merito ad attorcigliamenti od ostruzioni causati da oggetti estranei ruotando e premendo la ruota motrice. Riconstrandolo oggetti estranei, rimuoverli prontamente. Se il problema persiste, contattare il servizio clienti per assistenza.

N.	Malfunzionamento	Possibile causa	Soluzione
17	La vaschetta di lavaggio del panno è piena d'acqua e non può essere svuotata. Un messaggio vocale segnala il malfunzionamento della vaschetta di lavaggio del panno.	Il serbatoio dell'acqua sporca non è installato correttamente.	Spingere giù il serbatoio dell'acqua sporca facendolo entrare correttamente in sede.
		I tappi di tenuta nel serbatoio dell'acqua sporca non sono installati correttamente.	Provvedere affinché i due tappi di tenuta siano installati correttamente.
		La vaschetta di lavaggio del panno non è installata correttamente.	Controllare e se del caso provvedere affinché la vaschetta di lavaggio del panno sia installata correttamente.
		La base della vaschetta di lavaggio del panno si sporca.	Staccare e lavare con acqua la base della vaschetta di lavaggio del panno.
		Controllare se la sfera galleggiante si blocca in assenza di acqua nella base della vaschetta di lavaggio del panno.	Estrarre la vaschetta di lavaggio del panno per rimettere a posto la sfera galleggiante.
		La stazione OMNI non scarica l'acqua come dovrebbe.	Posizionare DEEBOT nella stazione. Dopo aver verificato che riceve carica, toccare due volte  . Se il problema persiste, contattare il servizio clienti per assistenza.
		La porta di aspirazione della vaschetta di lavaggio del panno è intasata da oggetti estranei.	Verificare che non ci siano oggetti estranei nella porta di aspirazione della vaschetta di lavaggio del panno.
18	Malfunzionamento del serbatoio dell'acqua sporca o lavaggio automatico frequente.	Il serbatoio dell'acqua sporca è eccessivamente carico di polvere.	Rimuovere e svuotare il serbatoio dell'acqua sporca, quindi risciacquarlo e reinstallarlo. Se il problema persiste, contattare il servizio clienti per assistenza.
		La vaschetta raccogliocce è eccessivamente carica di polvere.	Rimuovere e svuotare la vaschetta raccogliocce, quindi risciacquarla e reinstallarla. Se il problema persiste, contattare il servizio clienti per assistenza.

SPECIFICHE TECNICHE

Modello	DEX62
Ingresso nominale	20 V === 2 A
Tempo di ricarica	Circa 3,5 h
Modello stazione	CH2497F
Ingresso nominale	220-240 V ~ 50-60 Hz
Uscita nominale	20 V === 2 A
Corrente di ingresso nominale (ricarica)	0,5 A
Potenza (svuotamento)	650 W
Potenza (acqua calda panno di lavaggio)	1650 W
Bande di frequenza	2400-2483,5 MHz
Potenza dissipata in standby di rete	Meno di 2,00 W

La potenza di uscita del modulo wireless è inferiore a 100 mW.

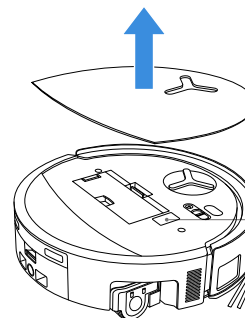
Per adempiere ai requisiti di funzionalità ed esperienza utente, i nostri prodotti non utilizzano un'architettura dell'apparecchio a potenza ultra bassa. Pertanto, non sono previste la modalità di spegnimento e la modalità di standby. Dopo aver raggiunto la ricarica completa, l'apparecchio entra in modalità standby di rete entro 20 minuti. La potenza in modalità di standby di rete è 1,9 W

N.B.: Le specifiche tecniche e di progettazione sono soggette a modifiche per garantire il continuo miglioramento del prodotto.

Scopri altri accessori su <https://www.ecovacs.com>.

Versione completa della guida utente

Utilizzare la fotocamera del cellulare per scansionare il codice QR e ottenere la guida utente.



Utilizzare la fotocamera del cellulare per scansionare il codice QR e ottenere la guida utente.

VIKTIGA SÄKERHETSINSTRUKTIONER

VIKTIGA SÄKERHETSINSTRUKTIONER

När du använder en elektrisk enhet bör du alltid följa grundläggande försiktighetsåtgärder. Detta omfattar bland annat följande:

LÄS ALLA INSTRUKTIONER INNAN DU ANVÄNDER DEN HÄR ENHETEN SPARA INSTRUKTIONERNA

1. Barn som är åtta år eller äldre och personer med nedsatta fysiska, sensoriska eller mentala förmågor eller bristande erfarenheter och kunskaper bör endast använda den här enheten när de övervakas av någon med tillsyn, eller om de har fått instruktioner om hur enheten ska användas på ett säkert sätt och de förstår riskerna som är kopplade till användningen av enheten. Barn ska inte leka med enheten. Barn ska inte rengöra enheten eller utföra underhåll på den utan tillsyn.
2. Rensa bort saker från området som du vill rengöra. Plocka upp strömkablar och små föremål som kan fastna i enheten från golvet. Stoppa in mattfransar under mattan och lyft

upp löshängande föremål som gardiner och dukar från golvet.

3. Om det finns risk för att apparaten faller och tar skada på platsen som ska rengöras på grund av ett trappsteg eller en trappa bör du se till att den kan upptäcka trappsteget utan att falla över kanten. Du kan behöva placera något i vägen vid kanten för att förhindra att roboten faller av. Se till att hindret du använder inte är enkelt att snubbla över.
4. Använd endast roboten enligt anvisningarna i den här manualen. Använd endast tillbehör som rekommenderas eller säljs av tillverkaren.
5. Enheten är ENDAST för INOMHUSBRUK. Använd inte enheten utomhus eller i kommersiella eller industriella miljöer.
6. Använd inte enheten utan dammbehållaren och/eller filtren.
7. Använd inte enheten i områden där det finns tända ljus eller ömtåliga föremål.
8. Se till att hålla hår, löst sittande kläder, fingrar och andra kroppsdelar borta från enhetens öppningar och rörliga delar.
9. Använd inte enheten i rum där spädbarn eller barn sover.

10. Använd eller förvara inte enheten i extremt varma eller kalla miljöer (under -5 °C eller över 40 °C). Se till att ladda roboten vid en temperatur över 0 °C och under 40 °C.
11. Använd inte enheten på våta ytor eller ytor som är fyllda med vatten.
12. Låt inte enheten suga upp stora föremål som stenar, stora pappersbitar eller andra föremål som kan fastna i inmatningen.
13. Använd inte enheten för att suga upp lättantändliga eller brännbara material såsom bensin eller färgpatroner för skrivare eller kopiatorer, och använd den inte i områden där sådana material förvaras.
14. Använd inte enheten för att suga upp material som brinner eller ryker, t.ex. cigaretter, tändstickor, het aska eller annat som kan leda till att apparaten fattar eld.
15. För inte in föremål i insugningsröret. Använd inte enheten om insugningsröret är blockerat. Se till att insugningsröret är fritt från damm, ludd, hår eller annat som kan försämra luftflödet.
16. Om strömkabeln skadas måste den bytas ut av tillverkaren eller ett serviceombud eftersom arbetet kan medföra fara.
17. STÄNG AV strömbrytaren innan du rengör eller utför underhåll på enheten.
18. Litiumbatterier med maximalt fyra celler, maximal nominell spänning 14,4 V (likström) och en nominell kapacitet på 5 800 mAh är typen av litiumbatteri som är lämplig för CH2497F. Batteriet ska tas bort och slängas enligt de gällande lokala lagarna och föreskrifterna innan enheten bortskaffas.
19. Se till att slänga förbrukade batterier enligt de gällande lokala lagarna och förordningarna.
20. Enheten får inte bortskaffas genom att brännas upp, även om den är allvarligt skadad. Batterierna kan explodera om enheten bränns.
21. Enheten måste användas enligt anvisningarna i den här användarhandboken. Ecovacs Home Service Robotics kan inte anses vara skyldiga eller ansvariga för eventuella skador som uppstår när enheten används på ett felaktigt sätt.
22. Roboten innehåller batterier som endast får bytas ut av auktoriserad personal. Kontakta vår kundtjänst om du vill byta ut robotens batteri.
23. Se till att strömförsörjningens spänning stämmer överens med spänningen som anges på

- OMNI-stationen.
24. Använd endast det uppladdningsbara originalbatteriet och OMNI-stationen som medföljer enheten. Du får inte använda icke-laddningsbara batterier.
 25. Var försiktig så att du inte skadar strömkabeln. Dra inte i eller bär inte enheten eller OMNI-stationen genom att hålla i strömkabeln. Använd inte strömkabeln som handtag, stäng inte dörrar på strömkabeln och dra inte strömkabeln över vassa kanter eller hörn. Se till att enheten inte kör över strömkabeln. Håll strömkabeln borta från heta ytor.
 26. Använd inte OMNI-stationen om den är skadad. Om strömförsörjningen är skadad eller defekt ska den inte repareras – enheten ska inte längre användas.
 27. Använd inte enheten om strömkabeln eller uttaget är skadade. Använd inte enheten eller OMNI-stationen om de inte fungerar korrekt, har tappats, skadats, lämnats utomhus eller kommit i kontakt med vatten. I dessa fall måste de repareras av tillverkaren eller ett serviceombud eftersom arbetet kan medföra fara.
 28. Du måste dra ut kontakten ur uttaget innan

du kan rengöra eller utföra underhåll på OMNI-stationen.

29. Ta bort enheten från OMNI-stationen och stäng av enhetens strömbrytare innan du tar ut batteriet när du ska slänga enheten.
30. Dra ut kontakten om du inte har för avsikt att använda OMNI-stationen under en längre tid.
31. Om du har för avsikt att inte använda roboten under en längre tid bör du stänga av den för förvaring och dra ut kontakten till OMNI-stationen.
32. **VARNING** – Du ska endast fylla den rena tanken med rent vatten.
33. **VARNING:** Ladda alltid batteriet med den lösstagbara strömförsörjningsenheten CH2497F som medföljer enheten.

Du måste du hålla ett avstånd på 20 cm eller mer till enheten när den används för att uppfylla kraven för exponering för radiovågor.

Vi rekommenderar att du inte befinner dig närmre enheten än detta. Antennen som används som sändare bör inte användas ihop med andra antenner eller sändare.

Uppdatering av enheten

Vanligtvis uppdateras vissa enheter varannan

månad, men de exakta tidpunkterna är inte fastställda.

Vissa enheter, särskilt sådana som började säljas för mer än tre år sedan, uppdateras endast om kritiska sårbarheter identifieras och behöver åtgärdas.

Gå till Settings (Inställningar) > Robot Advanced Settings (Avancerade inställningar för roboten) > About your robot (Om roboten) > Update in the app (Uppdatera i appen) om du vill kontrollera den aktuella programversionen och aktivera automatiska uppdateringar. Där kan du se den aktuella versionen. Tryck på Update (Uppdatera) för att öppna sidan och välj Automatic Update (Automatisk uppdatering) för att aktivera automatiska uppdateringar.

	Varning: het yta
	Säkerhetsisolerande transformator med kortslutningsskydd
	Lägesreglade, strömförsörjning
	Endast för inomhusbruk
	Likström
	Växelström
	Läs instruktionerna innan du laddar apparaten.
	Laddningsportens orientering
	Trög miniatyrsäkring

Funktionen för fjärrövervakning är avsedd att användas privat på icke-offentliga, privatägda platser. Funktionen ska endast användas för att skydda den egna egendomen och ska endast användas av en person. Om du väljer att använda den bör du vara uppmärksam på de lokala rättsliga skyldigheterna för skydd av data. Det är förbjudet att övervaka offentliga platser, särskilt med illegala avsikter. Arbetsgivare får inte heller använda funktionen utan sakliga grunder. Användaren själv står för all risk och har fullt eget ansvar för sådan icke-berättigad användning.

Försäkran om överensstämmelse för Europeiska unionen

Information om avfallshantering för användare av elektrisk och elektronisk utrustning



Denna symbol på produkten eller på dess förpackning anger att uttjänta elektriska och elektroniska produkter inte får blandas med osorterat kommunalt avfall. För korrekt hantering ansvarar du på egen hand för att avfallshandla din uttjänta utrustning genom att lämna den till en godkänd återvinningsstation.

Genom att bortskaffa produkten på rätt sätt sparar du värdefulla resurser och förhindrar eventuella negativa effekter på människors hälsa och miljön.

För att returnera din använda enhet, använd ett lämpligt retur- och insamlingssystem eller kontakta den återförsäljare där produkten köptes, vilket är kostnadsfritt. Kontakta lokala myndigheter för mer information om närmaste godkända insamlingsställe. Om avfallet bortskaffas på ett felaktigt sätt kan det leda till straffavgifter i enlighet med gällande nationell lagstiftning.

Information om bortskaffande av förbrukade batterier för användare



Den här symbolen betyder att förbrukade batterier inte får blandas med osorterat kommunalt avfall. Det är viktigt att du följer de här råden så att vi kan minimera batteriernas påverkan på miljön och människors hälsa. Du kan återlämna produkten eller batterierna som produkten innehåller till återförsäljaren eller till en utsedd insamlingsplats. Det kostar ingenting.

Genom att bortskaffa produkten på rätt sätt sparar du värdefulla resurser och förhindrar eventuella negativa effekter på människors hälsa och miljön.

Om avfallet bortskaffas på ett felaktigt sätt kan det leda till straffavgifter i enlighet med gällande nationell lagstiftning.

Många platser har separata insamlingsssystem för förbrukade batterier.

Var noga med att lämna in batterierna på rätt sätt till din lokala insamlingsanläggning för avfall/återvinningscentral.

Direktivet om begränsning av användningen av vissa farliga ämnen (RoHS)

Ecovacs Home Service Robotics Co, Ltd. deklarerar härmed att hela produkten inklusive dess delar (kablar, sladdar osv.) uppfyller kraven i RoHS-direktivet 2011/65/EU och tillägg av kommissionens delegerade direktiv (EU) 2015/863 om begränsning av användningen av vissa farliga ämnen i elektrisk och elektronisk utrustning ("RoHS recast" eller "RoHS 2.0").

Radiodirektivet

Ecovacs Home Service Robotics Co, Ltd. försäkrar härmed att produkten som beskrivs i det här avsnittet uppfyller kraven och andra relevanta bestämmelser i Radiodirektivet 2014/53/EU.

Auktoriserad representant i Europa:



ECOVACS Europa GmbH
Holzstrasse 2 | D-40221 Düsseldorf | Tyskland

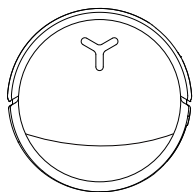
Ecovacs Home Service Robotics Co, Ltd. försäkrar härmed att produkten uppfyller kraven och andra relevanta bestämmelser i RoHS-direktivet 2011/65/EU, ändringarna i kommissionens delegerade direktiv (EU) 2015/863 samt Radiodirektivet 2014/53/EU.

Du kan läsa försäkran om överensstämmelse via följande adress:

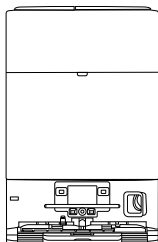
<https://www.ecovacs.com/global/compliance>

PAKETKOMPONENTER

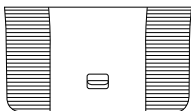
1 Förpackningens innehåll



DEEBOT



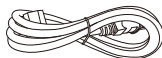
OMNI-station



Bas



Användarhandbok



Strömkabel

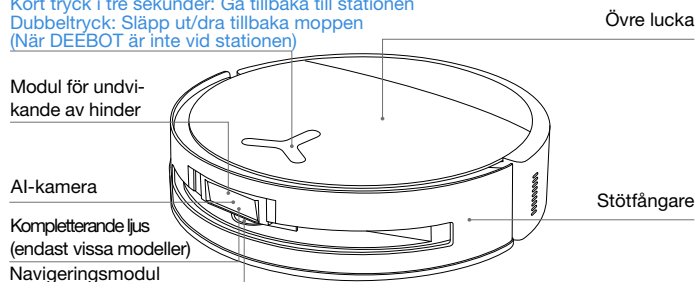
*Siffrorna i manualen ska endast användas som referens och kan skilja sig från den faktiska enheten. Produktens design och specifikationer kan ändras utan föregående meddelande.

2 Produktdiagram

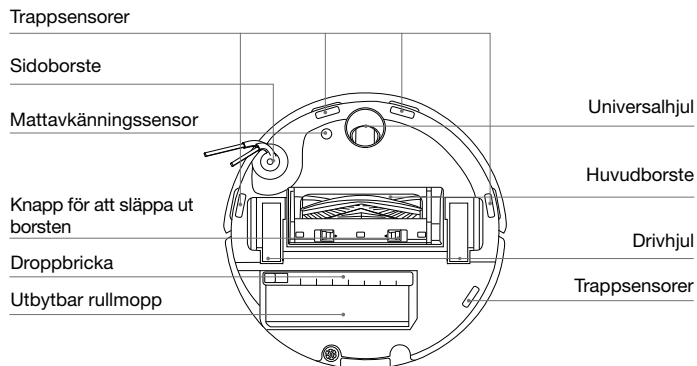
1. Framsidan av DEEBOT

Knapparna på DEEBOT:

Tryck ned: Växla mellan start/paus/fortsätt
Kort tryck i tre sekunder: Gå tillbaka till stationen
Dubbeltryck: Släpp ut/dra tillbaka moppen
(När DEEBOT är inte vid stationen)



2. Undersidan av DEEBOT

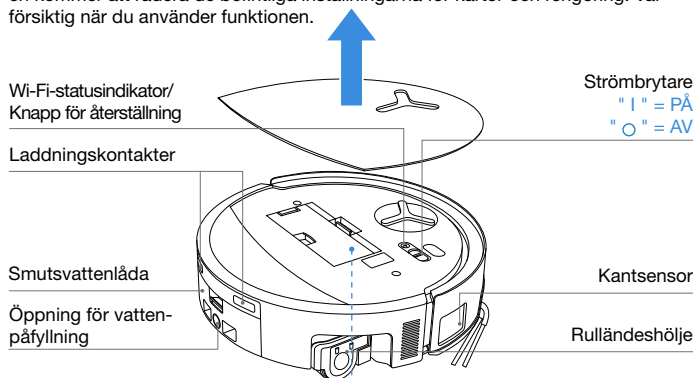


3. Inuti DEEBOT (under den övre luckan)

Knapp för återställning

Nätverkskonfiguration: Tryck på knappen för återställning och följ anvisningarna i röstmeddelandena för att konfigurera nätverket.

Återställ standardinställningarna: Tryck på knappen för återställning och håll den intryckt i fem sekunder. Efter ett röstmeddelande kommer startmusiken att spelas upp och DEEBOT kommer att återställas till standardinställningarna. Återställningen kommer att radera de befintliga inställningarna för kartor och rengöring. Var försiktig när du använder funktionen.



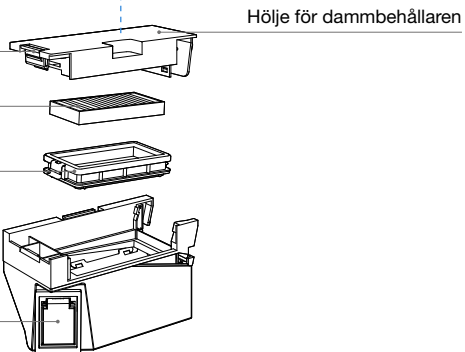
4. Dammbehållare

Filterspärr

Filter

Filternät

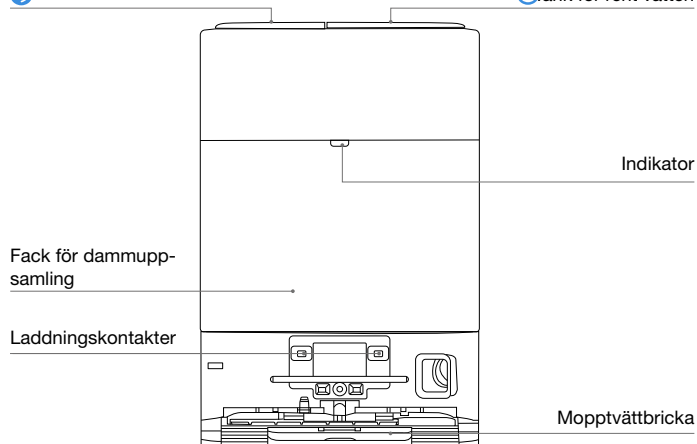
Dammtömningsport



5. OMNI-station

Tank för smutsvatten

Tank för rent vatten

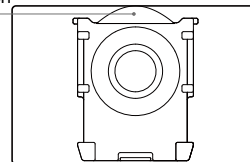


Observera:

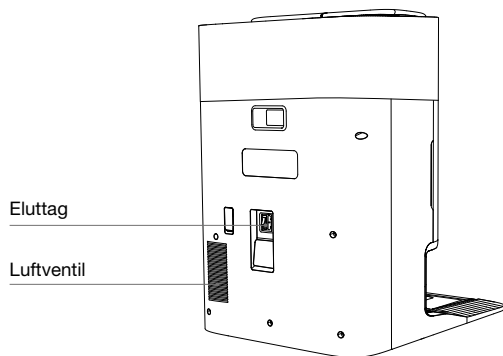
- Blinkar rött: Se ECOVACS HOME-appen för att se varför.
- Torka av laddningskontakterna med en ren och torr trasa om det inte går att ladda DEEBOT.

6. Dammpåse

Handtag för dammpåsen



7. OMNI-stationen (baksidan)



8. Indikatorlampa

Indikator	Ljuseffekt	Tillstånd
DEEBOT	Pulserande vitt ljus	Laddar
	Lyser vitt	Fulladdad/kör
	Lyser rött	Lågt batteri
	Blinkar rött	Funktionsfel
Stationen	Lyser vitt	Standby/kör
	Blinkar rött	Funktionsfel
	Slocknar	Ingen ström/djupt viloläge

9. Översikt över sensorer

Namn	Beskrivning av funktionen
Navigeringsmodul	Laseravståndsmätaren används för att mäta avståndet mellan DEEBOT och föremål i omgivningen baserat på tidsskillnaden när mätaren identifierar reflektioner, vilket gör det möjligt för modulen att kartlägga föremålen i omgivningen medan DEEBOT rör på sig. Räckvidden är 10 m.
Modul för undvikande av hinder	Den infraröda avståndsmätaren och liknande trianglar används för att mäta avståndet mellan föremål i omgivningen och DEEBOT. När sensorn identifierar ett föremål i närheten svänger DEEBOT automatiskt för att undvika att köra in i föremålet. Räckvidden är 0,3 m.
Trappsensorer	Infraröd avståndsmätning används för att identifiera avståndet mellan DEEBOTs undersida och golvet med hjälp av infraröda sensorer som sitter på enhetens undersida. DEEBOT kommer inte att röra sig inte framåt när den identifierar att det finns en trappa i färdriktningen (t.ex. när den identifierar ett avstånd till en vit yta på 55 mm eller mer, eller ett avstånd till en svart yta på 30 mm eller mer) och det identifierade avståndet överstiger tröskelvärdet som aktiverar funktionen för fallskydd.
Mattavkänningssensor	Sensorn avger ett ultraljud på 300 kHz. När den här energin absorberas av en matta blir energin som reflekteras tillbaka lägre än det inställda tröskelvärdet. På så sätt kan DEEBOT känna av var mattans är. Fler än 50 typer av mattor som finns på marknaden identifierades i tester i ECOVACS laboratorium.
Krocksensor	DEEBOT använder optiska kopplare för att undvika hinder när den är på väg att köra in i något.
Kantsensor	Den infraröda avståndsmätningen gör att kantsensorn kan identifiera avståndet mellan DEEBOT och föremål som befinner sig i närheten av enhetens sidor. När den identifierar en vägg eller ett hinder på höger sida utför DEEBOT kantrengöring så att alla områden rengörs fullständigt utan att enheten kör in i något.
AI-kamera	AI-kameror används för att samla in bilder av miljön i omgivningen. Du kan även spela in videor. Det går att ringa videosamtal genom att interagera med mikrofonen (på vissa modeller).

FÖRSTA KONFIGURATIONEN OCH ANVÄNDNING

1 Anmärkningar innan du börjar rengöra

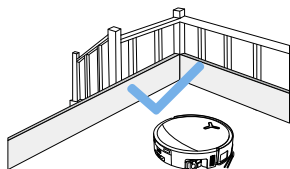


Städa upp i området som du vill rengöra

Placera möbler som bord, stolar och golvfäktar på rätt plats och flytta bort föremål från golvet, såsom vägar och liknande innan du använder DEEBOT för att maximera rengöringsytan.



Ta bort föremål såsom kablar, kläder och tofflor från golvet för att förbättra rengöringseffektiviteten.

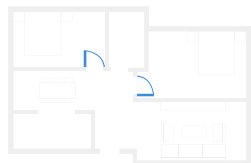


Förhindra att DEEBOT faller

Sätt upp fysiska barriärer vid kanter där roboten kan ramla ned, till exempel trappor och trappsteg, för att förhindra att DEEBOT faller över kanten.



Om du har en matta med fransade kanter kan du vika in fransarna under mattan innan du börjar använda enheten.

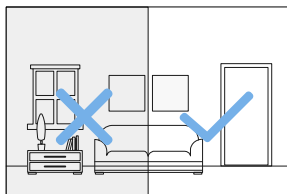


Öppna dörrar för att hjälpa DEEBOT att utforska

Öppna alla dörrar så att DEEBOT kan utforska hela huset när du använder den för första gången.



Se till att inte stå i vägen i trånga utrymmen som korridorer så att du inte blockerar navigeringsmodulen.



Se till att belysningen är tillräcklig

Se till att alla ytor som ska rengöras är väl upplysta så att DEEBOTs AI-kamera kan undvika föremål som skor, strumpor och sladdar på ett bra sätt.



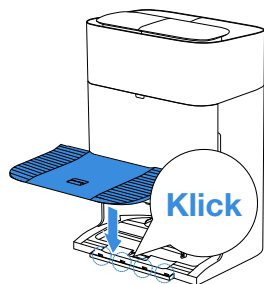
Se till att DEEBOT kan se klart och tydligt genom att inte repa eller smutsa ner linsen på AI-kameran med fingeravtryck eller oljiga fläckar. Använd en ren och mjuk trasa för att torka av kameran. Använd inte rengöringsmedel, tvättmedel eller någon typ av spray.

2 Snabbstart

Ta bort allt skyddande material innan du börjar använda enheten.

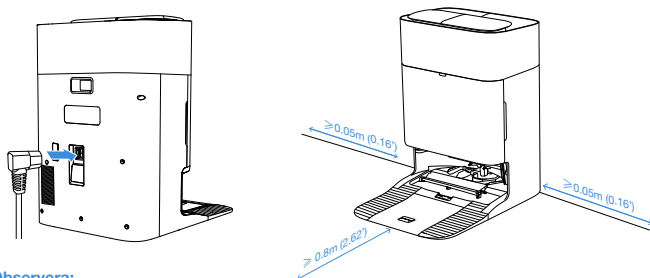
1. Montering

Om du hör ett klickande ljud indikerar det att du har monterat ihop den korrekt.



2. Montera ihop och ställ upp stationen

Ställ OMNI-stationen mot en vägg på en plan, hård yta. Se till att det inte står några föremål inom 5 cm från stationens sidor eller 80 cm framför stationen.



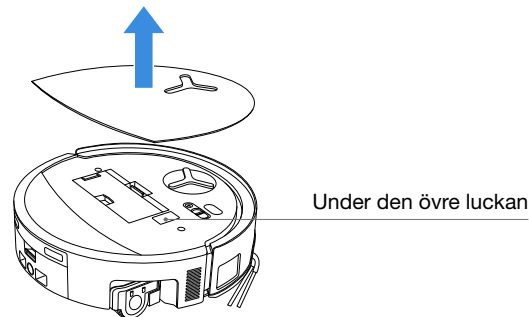
Observera:

- Du bör täcka de nedre 14 cm av föremål med reflekterande ytor såsom speglar och reflekterande golvlister i närheten av stationen.
- Ställ inte stationen i direkt solljus eller på platser där temperaturen är hög.
- Ställ stationen på en plats där Wi-Fi-signalen är stark för att göra det enklare att använda enheten.
- Använd inte enheten på våta ytor eller ytor som är fyllda med vatten.
- Torka inte av DEEBOT eller stationen med fuktiga trasor och använd inte några vätskor.

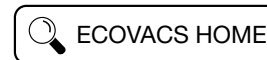
3 Ladda ner ECOVACS HOME-appen

Vi rekommenderar att du styr DEEBOT via ECOVACS HOME-appen för att kunna dra nytta av alla funktioner som är tillgängliga.

Du kan skanna QR-koden under den övre luckan för att ladda ner appen.





Du kan även söka efter "ECOVACS HOME" på App Store eller Google Play för att ladda ner appen.



Observera: Följ anvisningarna i appen för att slutföra registreringen, logga in och ansluta enheten.

4 Anslut DEEBOT till appen

Via Bluetooth: Aktivera DEEBOT och Bluetooth-funktionen på din mobiltelefon. Ge appen behörighet att använda Bluetooth-funktionen på mobiltelefonen. Tryck för att skanna QR-koden på DEEBOT. Du kan även trycka på  eller  i appen för att hitta den närmaste DEEBOT-enheten.


Via Wi-Fi: Du kan även ansluta DEEBOT till appen på andra sätt genom att följa anvisningarna på appsidan.

Observera: Det är oftast enklast att ansluta via Bluetooth.

Krav för att ansluta till ett Wi-Fi-nätverk:

- Du använder ett 2,4 GHz-nätverk eller ett blandat 2,4/5 GHz-nätverk.
- Din router har stöd för 802.11b/g/n och IPv4-protokollet.
- Du använder inte ett virtuellt privat nätverk (VPN) eller en proxyserver.
- Du använder inte ett dolt nätverk.
- Det finns inte stöd för WEP EAP (Enterprise Authentication Protocol).
- Använd Wi-Fi-kanalerna 1–11 i Nordamerika och kanalerna 1–13 utanför Nordamerika (de lokala ansvariga myndigheterna kan tillhandahålla mer information).
- Om du använder en Wi-Fi-förstärkare är nätverksnamnet (SSID) och lösenordet samma som för det primära nätverket.
- Aktivera WPA2 på routern.

Wi-Fi-indikatorlampa

	Blinkar vitt långsamt	Ej kopplad till Wi-Fi
	Blinkar vitt snabbt	Ansluter
	Lyser vitt	Ansluten till Wi-Fi

Notera att du måste använda ECOVACS HOME-appen som uppdateras kontinuerligt för att använda intelligenta funktioner som fjärrstart, visning av kartor i 2D/3D och kontrollinställningar samt personlig rengöring (beroende på den aktuella enheten). Du måste godkänna integritetspolicyn och användaravtalet så att vi kan behandla vissa av dina viktiga och nödvändiga personuppgifter innan du kan använda funktionerna i ECOVACS HOME-appen för att styra enheten. Om du inte godkänner integritetspolicyn och användaravtalet kommer funktionerna inte att vara tillgängliga. Men du kan fortfarande använda enhetens grundläggande funktioner för att styra den manuellt.

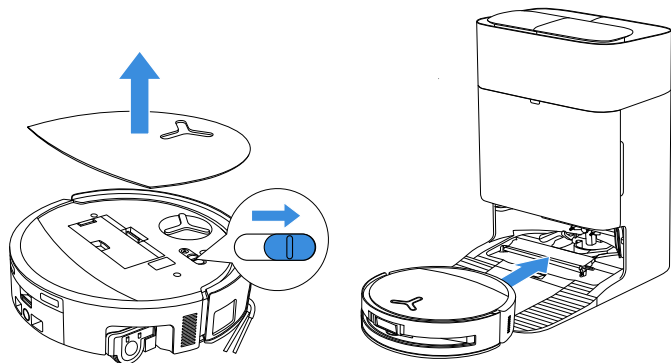
Information om nätverksgränssnitt

Namn	Beskrivning
IR-gränssnittet	IR-gränssnittet är inaktiverat som standard. Det aktiveras när roboten befinner sig i laddningsstationen. DEEBOT kommunicerar med laddningsstationen via IR-gränssnittet när den befinner sig i laddningsstationen.
Bluetooth	Aktivera Bluetooth för att ansluta roboten till nätverket när du konfigurerar nätverket. Bluetooth använder tjänsterna GAP1800, GATT 1801 och 8888 för att konfigurera och överföra data på ett säkert sätt.
Wi-Fi*	Används för att överföra data mellan appen och roboten, och gör det möjligt för användaren att styra roboten via appen.
ECOVACS HOME-appen	ECOVACS produkter erbjuder smarta funktioner som konfiguration av nätverk, kartläggning och olika rengöringslägen (vilka lägen som är tillgängliga skiljer sig mellan produkter). Användarna måste ladda ned ECOVACS HOME-appen för att använda de här funktionerna.

*Robotdamsugarna i DEEBOT-serien är utformade för att rengöra hem. Ett Wi-Fi-nätverk i hemmet krävs för att använda roboten. Användarna behöver även konfigurera ett DDoS-skydd via inställningarna i routern.

5 Aktivera och ladda DEEBOT

Slå på strömbrytaren under locket på DEEBOT(" I " = PÅ, " O " = AV) och ställ DEEBOT framför stationen när stationen är ansluten till strömförsörjningen. Sedan kan du flytta tillbaka DEEBOT till stationen.

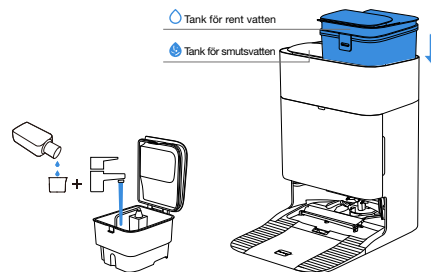


Observera:

- Du kan inte ladda DEEBOT när den är avstängd.
- När en rengöring har slutförts rekommenderar vi att du fortsätter ha DEEBOT igång och laddar den så att den är redo nästa gång du vill använda den.
- Börja rengöra från stationen. Flytta inte stationen när rengöring pågår.

6 Fylla tanken för rent vatten

Fyll tanken för rent vatten med rent vatten. Tillsätt en lämplig mängd rengöringslösning med hjälp av flaskans kapsyl. Utspädningsgraden ska vara 1:200. Se till att tanklocket sitter fast ordentligt och skaka försiktigt på tanken för att blanda. Sedan är vattnet redo att användas.



Observera:

- Tillsätt en kapsyl med rengöringslösning (cirka 20 ml) när tanken för rent vatten är full (cirka 4 liter).
- Tillsätt inte hett vatten eftersom vattentanken kan deformeras.
- Om vattentanken har vattenfläckar på utsidan kan du torka bort dem med en mjuk, torr trasa innan du sätter tillbaka tanken och börjar använda den igen.
- Tillsätt inga andra rengöringslösningar än de officiella ECOVACS-lösningarna, eftersom de kan skada produkten.
- Om det finns vattenfläckar inuti vattentanken är det rester från tester som utförts i fabriken. Du kan fortsätta använda produkten utan att oroa dig.

7 Använda DEEBOT

1. Starta kartläggning

Följ efter DEEBOT för att hjälpa den om den stöter på problem första gången du skapar en karta.


DEEBOT kan till exempel fastna under möbler. Du kan lösa detta på följande sätt:

- 1 Lyft upp låga möbler om du kan.
- 2 Täck för möblerna så att DEEBOT inte kan åka in under.


2. Börja rengöra

- Vattentanken på DEEBOT fylls på automatiskt när den är i stationen. Du behöver inte fylla på den manuellt.


- När DEEBOT moppar kan den känna igen olika typer av golv och automatiskt lyfta upp rullmoppen när den identifierar mattor. Du bör inte använda DEEBOT på lurviga mattor eller mattor med fibrer som är längre än 10 mm. Vi rekommenderar att du viker ihop lurviga mattor med fibrer som är längre än 10 mm när du ska rengöra ett rum. Du kan ställa in virtuella gränser i ECOVACS HOME-appen.

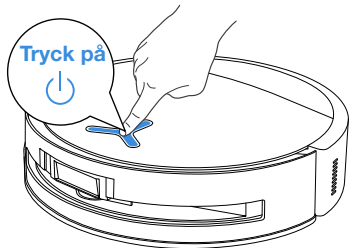
Innan du rengör för första gången bör du se till att DEEBOT befinner sig i stationen och är fulladdad. Tryck på  på DEEBOT för att komma igång. Du kan även starta DEEBOT via ECOVACS HOME-appen.

3. Pausa


Tryck på  på DEEBOT för att pausa rengöringen. Du kan även pausa DEEBOT via ECOVACS HOME-appen.

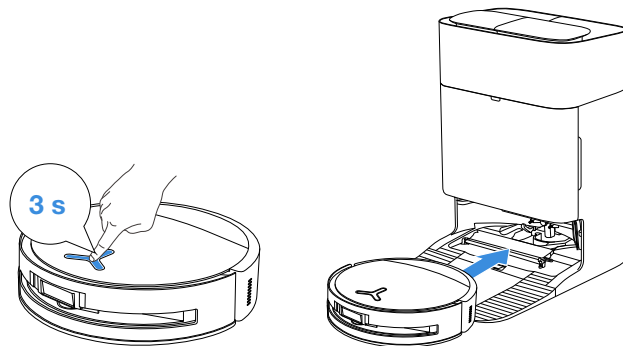
4. Aktivera

Om DEEBOT har pausats slocknar alla indikatorlampor efter ett tag. Om du vill aktivera DEEBOT igen trycker du snabbt på knappen . Du kan även använda ECOVACS HOME-appen.



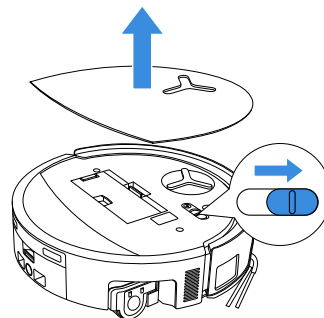
5. Åka tillbaka till stationen

Du kan använda ECOVACS HOME-appen för att få DEEBOT att återvända till stationen. Du kan även hålla in knappen  på DEEBOT i tre sekunder för att göra så att den dockar med stationen för att laddas.



6. Djupt viloläge

DEEBOT kommer att aktivera djupt viloläge om den är kvar utanför stationen i cirka tio timmar för att skydda batteriet. Stäng av och slå på DEEBOT för att aktivera den igen. Sätt tillbaka DEEBOT i dockningsstationen för att ladda den om den inte aktiveras.



REGELBUNDET UNDERHÅLL

Underhållsfrekvens

Du bör utföra underhåll och byta ut delar enligt följande tabell för att DEEBOT ska fungera optimalt:

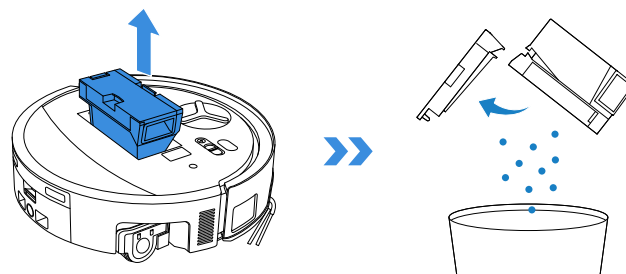
DEEBOT-del	Underhållsfrekvens	Utbytesfrekvens
Tvättbar rullmopp	/	Varje eller varannan månad
Smutsvattenlåda	Varje vecka	/
Droppbricka	Varje vecka	/
Damppåse	/	När appen säger till
Sidborste	Varannan vecka	Var tredje till sjätte månad
Huvudborste	Varje vecka	Var sjätte till tolfte månad
Filter	Varje vecka	Var tredje till sjätte månad
Universalhjul Trappsensorer Kantsensor Stötfångare DEEBOTs laddningskontakter OMNI-stationens laddningskontakter Navigeringsmodul Modul för undvikande av hinder AI-kamera	Ungefär varje månad	/
Renvattenbehållare	Var tredje månad	/
Smutsvattenbehållare	Varje månad	/
Fack för dammuppsamling	Varje månad	/
Stationens huvuddel och underdel	Varje månad	/
Mopptvättbricka	Var femte månad	/

Du kan se fler tillbehör i ECOVACS HOME-appen eller genom att besöka <https://www.ecovacs.com>

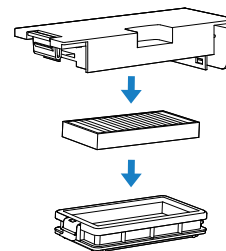
DEEBOT-underhåll

1 Utföra underhåll på dammbehållaren och filtret

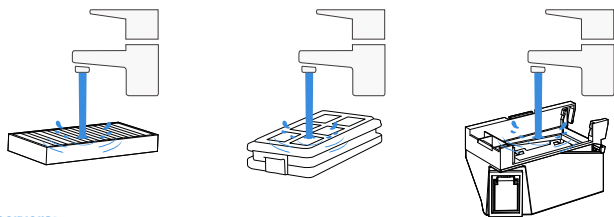
1. Ta bort dammbehållaren och töm den.



2. Öppna filtretätet och ta bort filtret.



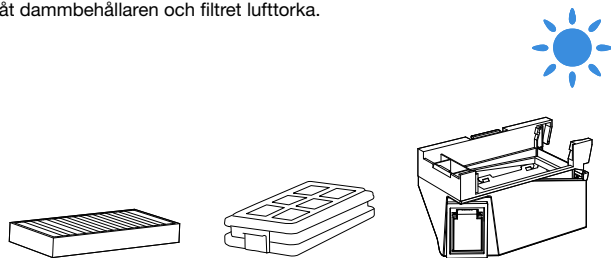
3. Skölj av dammbehållaren och filtret med vatten och skaka på dem för att få bort det mesta av vattnet.



Observera:

- Skölj av filtret med vatten enligt bilden.
- Rengör inte filtret med fingrarna och använd inte heller en borste.

4. Låt dammbehållaren och filtret lufttorka.



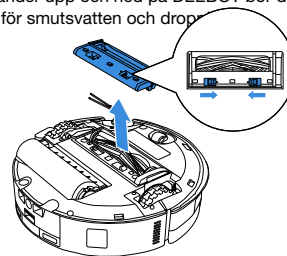
Observera: Se till att dammbehållarens komponenter har torkat innan du använder dem igen.

2 Utföra underhåll på huvudborsten och sidoborsten

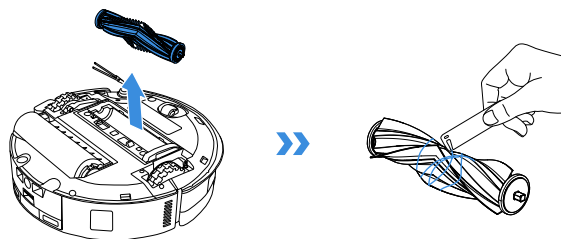
Rengöra huvudborsten

1. Ta bort skyddet för huvudborsten.

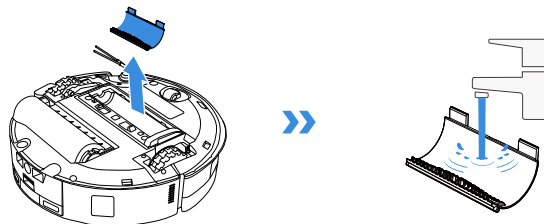
Observera: Innan du vänder upp och ned på DEEBOT bör du tömma ut allt vatten som kan vara kvar i tanken för smutsvatten och dropp.



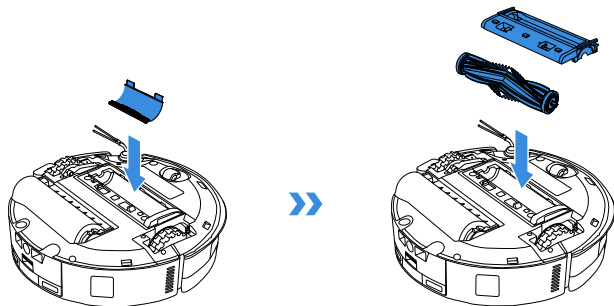
2. Ta bort och rengör huvudborsten.



3. Ta bort, rengör och torka av borstkammen.

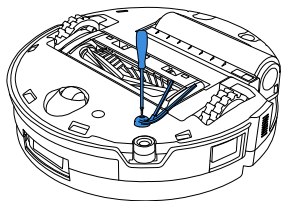


4. Montera borstkammen, huvudborsten och locket.




Rengöra sidborsten

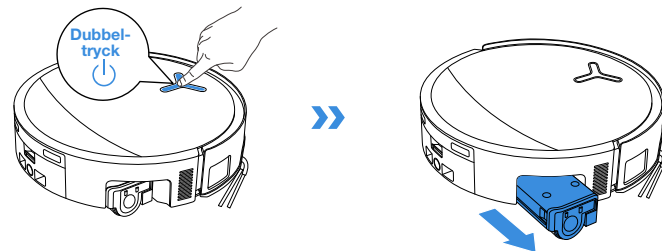
Använd en skruvmejsel för att ta bort sidborsten och rengör den.



3 Utföra underhåll på rullmoppen

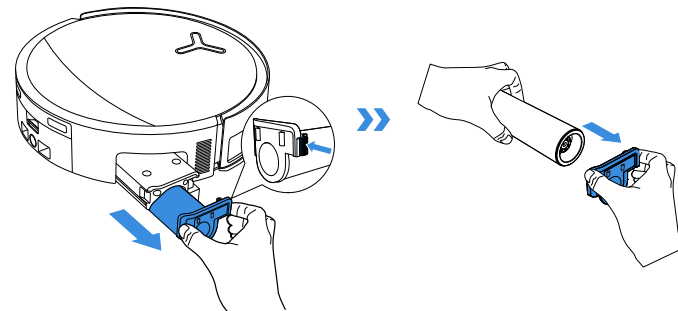
Rengör rullmoppen

1. Tryck på knappen  två gånger för att lossa på komponenten för rullmoppen.

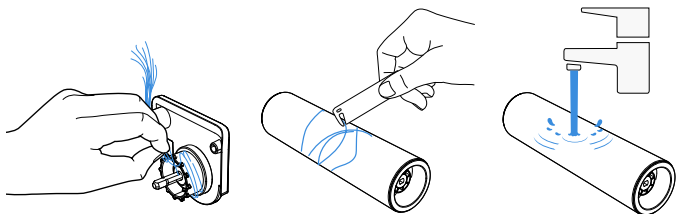


Observera: Försök inte dra ut rullen när den är i intryckt läge eftersom det kan skada rullmoppens komponenter.

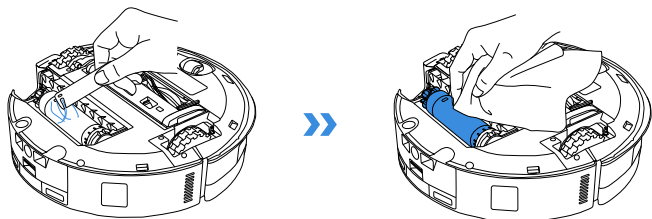
2. Tryck på upplåsningsknappen för att ta bort rullen.




3. Rengör rullmoppen.

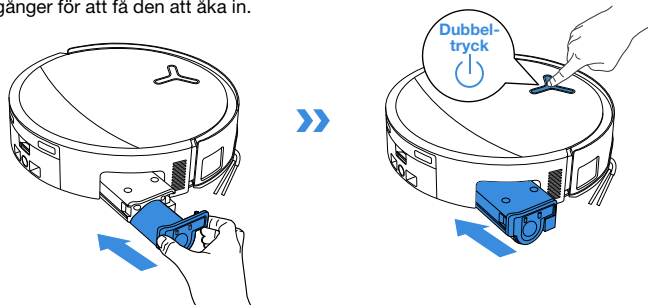


4. Rengör insidan av rollen.



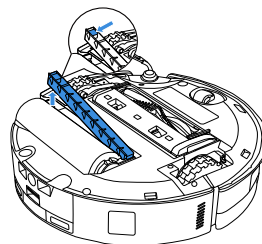
Observera: Tvätta inte DEEBOT med vatten.

5. Tryck försiktigt in rullmoppen i rulländeshöljet och tryck på knappen  två gånger för att få den att åka in.



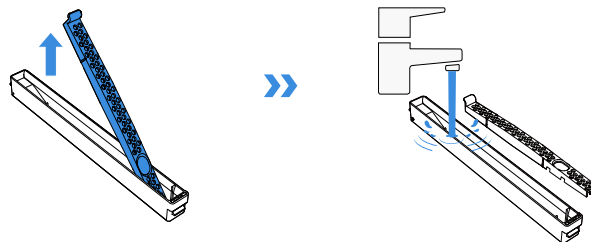
4 Utföra underhåll på droppbricka

1. Ta bort droppbrickan.

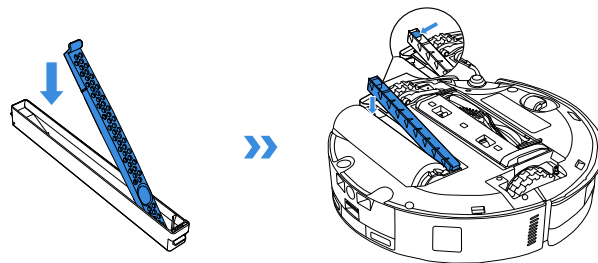


Observera: Om DEEBOT inte är i torkläget kan en liten mängd kvarvarande vatten läcka ut när du vänder upp och ned på DEEBOT.

2. Ta bort och rengör komponenterna för droppbrickan.

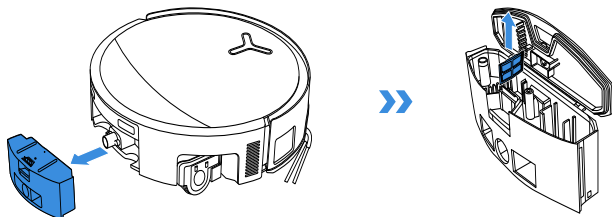


3. Montera filterkomponenterna för droppbrickan enligt vad som visas på bilden.

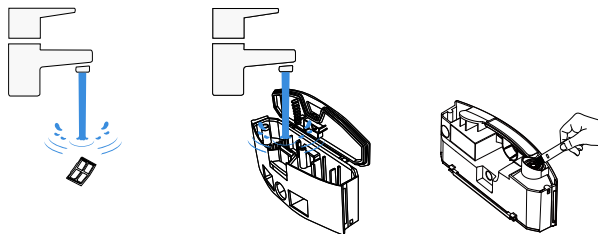


5 Utföra underhåll på smutsvattenlådan

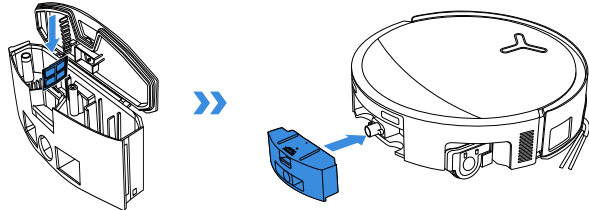
1. Ta bort smutsvattenlådan och filternätet.



2. Rengör filternätet, lådan och avloppsutloppet.



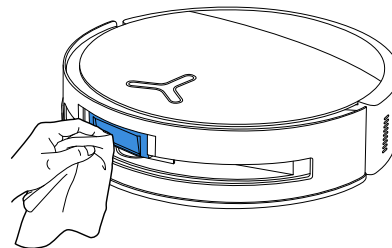
3. Sätt tillbaka filtret och tryck fast det ordentligt. Sedan sätter du tillbaka locket på smutsvattenlådan.



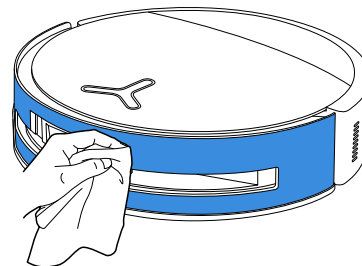
Tryck fast locket på smutsvattenlådan i rätt riktning tills dess yta är helt i linje med lådans övre kant för att se till att förslutningen är helt tät.

6 Utföra underhåll på andra komponenter

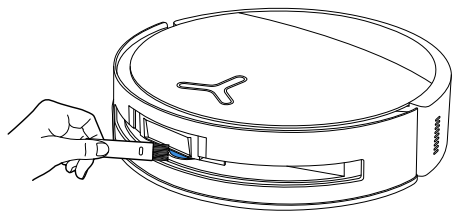
Rengör linsen till modulen för undvikande av hinder



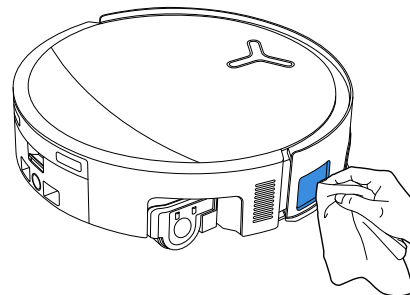
Rengör stötfångaren



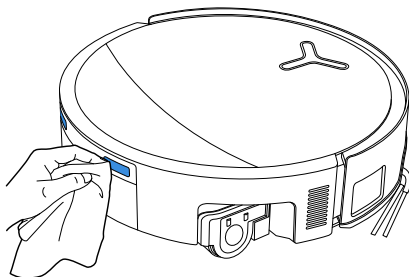
Rengör navigeringsmodulen



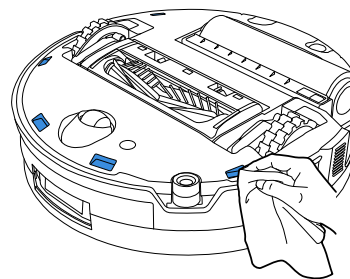
Rengör kantsensorn



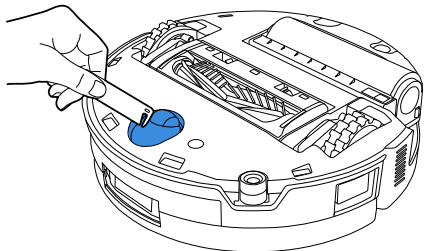
Rengör laddningskontakterna



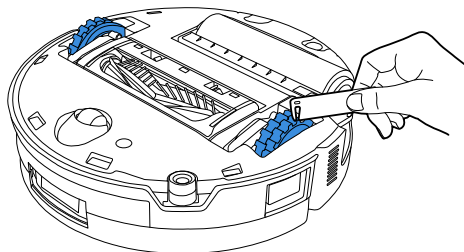
Rengör trappsensorerna



Rengör universalhjulet



Rengör drivhjulen



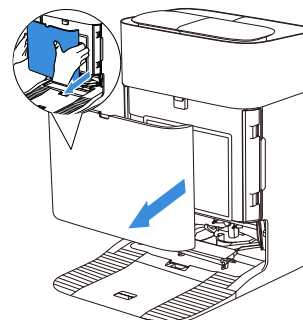
Observera:

- Du kan se fler tillbehör i ECOVACS HOME-appen eller genom att besöka <https://www.ecovacs.com>.
- Torka av komponenterna med en ren, torr trasa. Använd aldrig våta trasor. Använd inte rengöringspray eller rengöringsmedel.

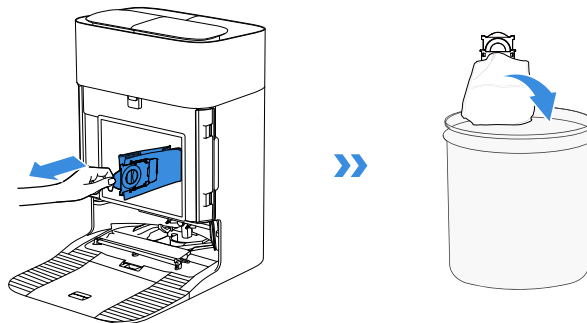
Underhåll av stationen

1 Utföra underhåll på dammbehållaren

1. Ta bort locket till facket för dammuppsamling.

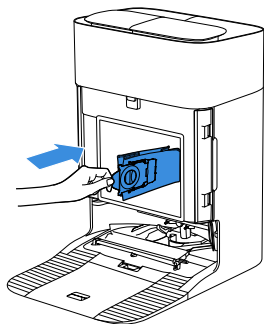


2. Dra engångspåsen i pilens riktning när du ska ta bort den. Sedan kan du slänga den.

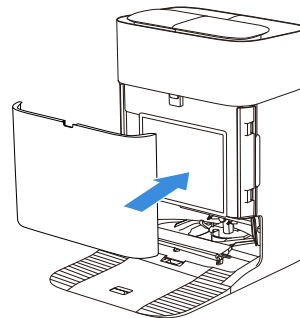


- Observera:** Håll i handtaget när du lyfter ut dammpåsen. Det här hjälper dig att inte spilla ut damm.

3. Rengör facket för dammuppsamling med en torr trasa och sätt i en ny dammpåse.

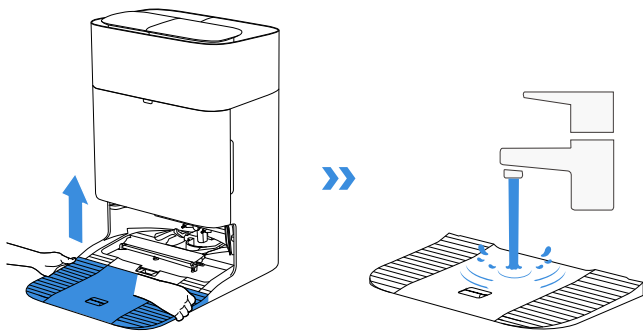


4. För in den övre spärren på locket till facket för dammuppsamling i spåret och tryck sedan nedåt för att se till att locket sitter tätt.

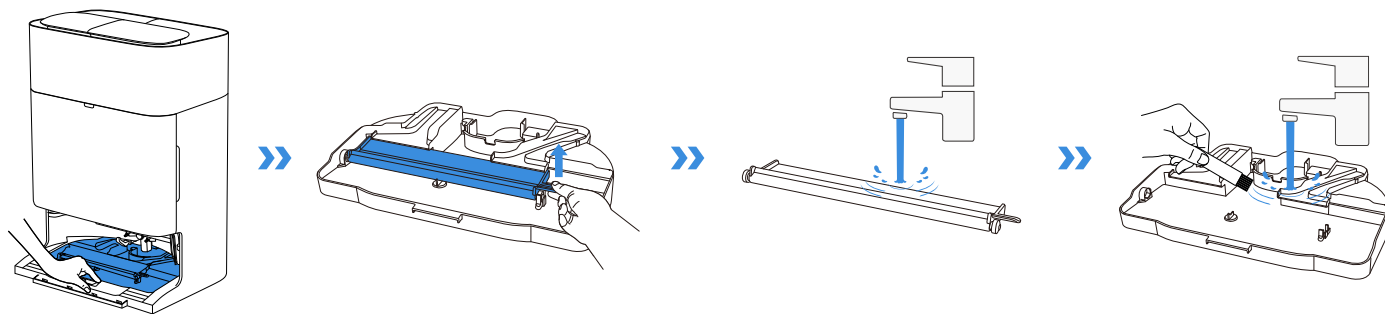


2 Utföra underhåll på mopptvättbrickan

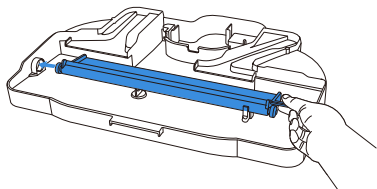
1. Ta bort och rengör stationsbasen.



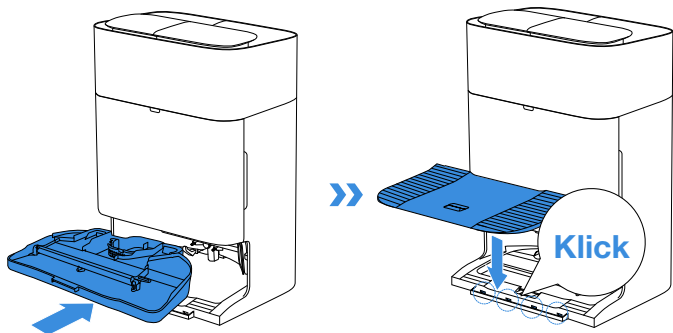
2. Ta bort och rengör mopptvättbrickan och blötlägningsbrickan.



3. Montera blötläggningsbrickan.



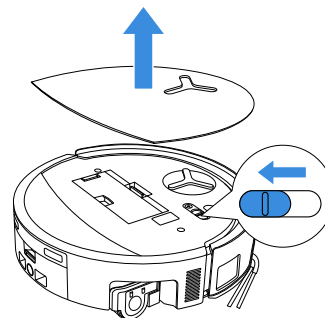
4. Montera mopptvättbrickan och basen.



Observera: Se till att montera tvättbrickan och basen korrekt så att enheten kan användas utan problem.

3 Förvaring

Se till att DEEBOT är fulladdad och stäng sedan av den innan du sätter den i förvaring. Du bör ladda den igen efter ungefär 45 dagar för att se till att batteriet inte blir för urladdat.



! Observera att du inte kan ladda DEEBOT när den är avstängd.

Observera:

- När DEEBOT är färdig med rengöringen rekommenderar vi att du inte stänger av den, utan låter den fortsätta att ladda så att den är redo nästa gång du vill använda den.
- Om batteriet är urladdat eller om DEEBOT inte har använts på länge är det möjligt att det inte går att ladda DEEBOT. Du bör då kontakta ECOVACS för att få hjälp. Du bör inte ta ut batteriet på egen hand.
- Om du inte har för avsikt att använda produkten under en längre tid bör du se till att smutsvatlenlådan och vattentankarna är tomma samt att moppen är torr.

FELSÖKNING


Se de motsvarande lösningarna för de följande möjliga problemen.

Nr	Funktionsfel	Möjlig orsak	Lösning
1	DEEBOT ansluter inte till ECOVACS HOME-appen.	Det angivna Wi-Fi-användarnamnet eller lösenordet är felaktigt.	Ange rätt Wi-Fi-användarnamn och lösenord.
		DEEBOT är utanför räckvidden för nätverkets Wi-Fi-signal.	Se till att DEEBOT är inom räckvidden för nätverkets Wi-Fi-signal. Håll dig så nära routern som möjligt.
		DEEBOT befinner sig inte i konfigurationsläget.	Tryck på knappen för återställning för att ansluta DEEBOT till telefonen via Bluetooth. Testa att ansluta igen via ECOVACS HOME-appen om det inte går.
		Det finns inget Wi-Fi-nätverk i listan med Wi-Fi-nätverk.	1. Undersök om namnet på Wi-Fi-nätverket innehåller några specialtecken. Använd inte specialtecken som till exempel! @#& ¥%/\. 2. Använd inte ett 5 GHz-nätverk.
		Du har installerat fel app.	Se till att ladda ned och installera ECOVACS HOME-appen.
2	Det går inte att skapa en karta över möbler i appen.	Kartan kan försvinna om du flyttar DEEBOT när den håller på att rengöra.	Var noga med att inte flytta på DEEBOT när den rengör.
		Den automatiska rengöringen har inte slutförts.	Se till att DEEBOT åker tillbaka till OMNI-stationen automatiskt när den är klar med rengöringen.
		Flervåningsläget var inte aktiverat när den andra kartan skapades.	Aktivera flervåningsläget i appen.
3	Sidborsten lossnar ur dess läge när den används.	Sidborsten har inte monterats korrekt.	När du skruvar fast sidborsten bör du se till att skruven är åtdragen ordentligt.
4	Ingen signal hittades. Robot kunde inte åka tillbaka till stationen.	OMNI-stationen står på fel plats.	Ställ stationen i enlighet med instruktionerna i avsnittet [Aktivera och ladda DEEBOT] .
		OMNI-stationen är inte inkopplad i strömförsörjningen eller har flyttats.	Kontrollera om OMNI-stationen är ansluten till strömförsörjningen. Var noga med att inte flytta på OMNI-stationen.
		DEEBOT börjar inte rengöra från OMNI-stationen.	Vi rekommenderar att du ser till att DEEBOT börjar rengöra från OMNI-stationen.
		Vägen som roboten använder för att docka är blockerad. Det kan till exempel vara så att dörren till rummet där OMNI-stationen står är stängd.	Se till att vägen som roboten tar för att laddas är fri från hinder.

Nr	Funktionsfel	Möjlig orsak	Lösning
5	DEEBOT åker tillbaka till OMNI-stationen innan den är färdig med rengöringen.	Rummet är så stort att DEEBOT måste åka tillbaka för att laddas.	Aktivera automatisk fortsättning. Följ instruktionerna i appen för mer information.
		Om hemmet har en mycket komplicerad layout kan rengöringseffektiviteten minska, vilket kan leda till ej slutförd städning.	Försök förenkla hemmets layout.
6	DEEBOT kan inte laddas.	DEEBOT är inte aktiverad.	Aktivera DEEBOT.
		Laddningskontaktarna på DEEBOT är inte anslutna till laddningskontaktarna på OMNI-stationen.	Se till att laddningskontaktarna på DEEBOT är anslutna till laddningskontaktarna på stationen och att  blinkar. Kontrollera om det finns smuts på laddningskontaktarna på DEEBOT och OMNI-stationen. Rengör de här delarna enligt instruktionerna i avsnittet [REGELBUNDET UNDERHÅLL] .
		OMNI-stationen är inte inkopplad i strömförsörjningen.	1. Kontrollera om OMNI-stationen är inkopplad i strömförsörjningen. 2. Kontrollera om du kan höra motorn starta upp när du har kopplat in den.
		Basen står inte på rätt plats.	Läs avsnittet [Snabbstart] för att se hur den ska monteras korrekt.
7	DEEBOT är mycket högljudd när den rengör.	Huvudborsten/sidoborsten har trasslat in sig. Det är även möjligt att dammbehållaren och/eller filtret är blockerade.	Vi rekommenderar att du regelbundet rengör huvudborsten, sidoborsten, dammbehållaren, rullmoppen, filtret osv.
		DEEBOT är inställd i läget med stark eller maximal sugkraft.	Växla till standardläget.
8	DEEBOT fastnar och stannar när den håller på att rengöra.	DEEBOT har trasslat in sig i ett föremål på golvet (till exempel elektrisk kabel, gardin, mattkant).	DEEBOT kommer att försöka komma loss på ett antal olika sätt. Du bör ta bort hindren och starta om ifall den inte klarar det på egen hand.
		DEEBOT kan fastna under möbler som är ungefär lika höga som roboten.	Se till att lyfta upp möblerna, sätta för så att roboten inte kommer in, eller ställa in virtuella gränser via ECOVACS HOME-appen.
		DEEBOT har fastnat i ett smalt område.	Rensa upp på golvet, sätt för så att roboten inte kommer in, eller ställ in virtuella gränser via ECOVACS HOME-appen.

Nr	Funktionsfel	Möjlig orsak	Lösning
9	När DEEBOT rengör kan den stöta på problem som ordnade vägar, att den rör sig ojämnt, att den rengör samma ställen flera gånger och att vissa små områden inte rengörs. (DEEBOT kommer automatiskt att rengöra stora områden som inte har rengjorts ännu. I vissa fall kan DEEBOT åka tillbaka till rum som redan rengjorts. Det här betyder inte nödvändigtvis att den kommer att rengöra rummet igen. Det kan betyda att DEEBOT har hittat ett område som inte rengjorts ännu.)	Om det ligger föremål som sladdar och tofflor på golvet kan de blockera DEEBOT.	Innan du aktiverar roboten för att rengöra bör du plocka upp sladdar, tofflor och andra föremål som ligger utspridda på golvet i så stor utsträckning som möjligt. DEEBOT kommer automatisk att rengöra områden som tidigare missats. Stör inte DEEBOT när den rengör (du bör till exempel inte flytta på den eller blockera vägen för den).
		När DEEBOT klättrar upp eller ned på trappsteg eller över trösklar och tröskellister kan drivhjulena i vissa fall slira på golvet, vilket kan påverka hur den bedömer sin position i hemmet.	Vi rekommenderar att du stänger dörren till området där detta sker och istället rengör det separat. När rengöringen är färdig åker DEEBOT tillbaka till startpositionen.
		Friktionen mellan drivhjulena och golvet kan vara sämre på nyvaxade eller polerade golv samt på släta kakelplattor.	Du bör vänta tills vaxet har torkat innan du börjar rengöra.
		DEEBOT kan inte komma åt vissa områden på grund av variationer i hemmets layout.	Städa upp i hemmet så att DEEBOT kan komma åt områdena som du vill rengöra.
10	Fjärrstyrningen är fördröjd.	Wi-Fi-signalen är för svag och det gör att videon läses in för långsamt.	Försök använda DEEBOT i områden där Wi-Fi-signalen är starkare.
11	DEEBOT tömmer inte dammbehållaren efter att den har åkt tillbaka till OMNI-stationen.	Du har inte aktiverat funktionen för automatisk tömning i ECOVACS HOME-appen.	Aktivera funktionen för automatisk tömning i ECOVACS HOME-appen.
		Funktionen för automatisk tömning aktiveras inte om du manuellt flyttar tillbaka DEEBOT till stationen.	Vi rekommenderar att du låter DEEBOT åka tillbaka till OMNI-stationen på egen hand. Rör inte på den manuellt.
		I stor ej-läget kommer DEEBOT inte att tömma sig själv på damm efter att den har åkt tillbaka till OMNI-stationen.	Du kan stänga av stor ej-läget i ECOVACS HOME-appen eller aktivera dammtömningen manuellt.
		Stationen har identifierat att tömningseffektiviteten har minskat.	Byt ut dammpåsen enligt anvisningarna i avsnittet [REGELBUNDET UNDERHÅLL] och stäng facket för dammuppsamling. Du kan sätta tillbaka dammpåsen igen om den inte är full när appen uppmanar dig att byta den.
		Kontrollera om dammbehållaren är full och detta blockerar dammet från att tömmas.	Rengör dammbehållaren enligt anvisningarna i avsnittet [REGELBUNDET UNDERHÅLL] .
		Komponenterna i stationen kan vara defekta om du kan utsluta de ovanstående möjliga orsakerna.	Kontakta vår kundtjänst för att få hjälp.

Nr	Funktionsfel	Möjlig orsak	Lösning
12	Den automatiska tömningen kan inte genomföras.	Stationen har identifierat att tömningseffektiviteten har minskat.	Byt ut damppåsen enligt anvisningarna i avsnittet [REGELBUNDET UNDERHÅLL] och stäng facket för dammuppsamling. Du kan sätta tillbaka damppåsen igen om den inte är full när appen uppmanar dig att byta den.
		Utloppet på dammbehållaren är blockerat av ett främmande föremål.	Montera bort dammbehållaren och kontrollera om det finns några främmande föremål i utloppet.
13	Insidan på facket för dammuppsamling är smutsig.	Finare partiklar kan passera genom damppåsen och ansamlas på insidan av facket för dammuppsamling.	Rengör insidan på facket för dammuppsamling.
		Damppåsen har gått sönder.	Kontrollera damppåsen och byt ut den vid behov.
		Damppåsen har inte monterats korrekt.	Montera damppåsen på rätt sätt.
		Locket till facket för dammuppsamling är inte stängt.	Kontrollera om locket till facket för dammuppsamling har stängts ordentligt.
14	Det läcker damm ur DE-EBOT medan den rengör.	Utloppet på dammbehållaren är blockerat av ett främmande föremål.	Montera bort dammbehållaren och kontrollera om det finns några främmande föremål i utloppet.
15	Rullmoppen roterar inte.	Rullmoppen har inte monterats korrekt.	Montera rullmoppen enligt anvisningarna i avsnittet [REGELBUNDET UNDERHÅLL] .
		Rullmoppen är blockerad av ett främmande föremål.	Rengör och montera rullmoppen enligt anvisningarna i avsnittet [REGELBUNDET UNDERHÅLL] .
16	Drivhjulet har fastnat.	Drivhjulet är intrasslat i ett främmande föremål eller har fastnat.	Vrid och tryck på drivhjulet för att kontrollera om något har fastnat i det eller om några främmande föremål förhindrar hjulet från att snurra. Rengör hjulet och ta bort de främmande föremålen om du hittar några. Kontakta vår kundtjänst för att få hjälp om problemet kvarstår.

Nr	Funktionsfel	Möjlig orsak	Lösning
17	Mopptvättbrickan är full med vatten och det går inte att tömma den. Ett röstmeddelande säger att ett fel har inträffat med mopptvättbrickan.	Tanken för smutsvatten har inte monterats korrekt.	Tryck ned tanken för smutsvatten för att se till att den har monterats korrekt.
		Tätningpropparna på tanken för smutsvatten har inte monterats korrekt.	Säkerställ att de två tätningpropparna har monterats korrekt.
		Mopptvättbrickan har inte monterats korrekt.	Kontrollera och se till att mopptvättbrickan har monterats korrekt.
		Basen på mopptvättbrickan blir smutsig.	Montera bort mopptvättbrickan och tvätta den med vatten.
		Kontrollera om den flytande bollen fastnar när det inte finns vatten i basen på mopptvättbrickan.	Montera bort mopptvättbrickan och sätt tillbaka den flytande bollen på rätt plats.
		OMNI-stationen töms inte på vatten som den ska.	Få DEEBOT att åka tillbaka till stationen. Dubbeltryck på  när du har sett till att den laddas. Kontakta vår kundtjänst för att få hjälp om problemet kvarstår.
		Mopptvättbrickans insug har blockerats av ett främmande föremål.	Kontrollera om det finns några främmande föremål i mopptvättbrickans insug.
18	Ett fel inträffar med smutsvattenlådan eller den automatiska tvätten genomförs ofta.	Det finns för mycket damm i smutsvattenlådan.	Montera bort och töm smutsvattenlådan. Du kan sedan skölja och sätta tillbaka den. Kontakta vår kundtjänst för att få hjälp om problemet kvarstår.
		Det finns för mycket damm i droppbrickan.	Montera bort och töm droppbrickan. Du kan sedan skölja och sätta tillbaka den. Kontakta vår kundtjänst för att få hjälp om problemet kvarstår.

TEKNISKA SPECIFIKATIONER

Modell	DEX62
Nominell ingångseffekt	20 V === 2 A
Laddningstid	Cirka 3,5 h
Stationsmodell	CH2497F
Nominell ingångseffekt	220–240 V – 50–60 Hz
Nominell utgångseffekt	20 V === 2 A
Nominell ingångseffekt (laddning)	0,5 A
Effekt (tömning)	650 W
Effekt (mopptvätt med varmvatten)	1650 W
Frekvensband	2400–2483,5 MHz
Effekt i nätverksanslutet standbyläge	Mindre än 2,00 W

Den trådlösa modulens uteffekt är mindre än 100 mW.

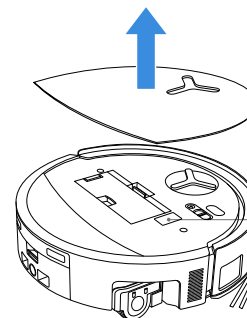
Våra produkter använder en arkitektur för apparater som inte är extremt strömsnåla i enlighet med produktkraven (för funktionalitet och användarupplevelsen). Det här innebär att det inte finns något avstängt läge eller något traditionellt standbyläge. När maskinen är fulladdad kommer den att aktivera det nätverksanslutna standbyläget inom 20 minuter. Effekten i det nätverksanslutna standbyläget är 1,9 W

Obs: Tekniska och konstruktionsrelaterade specifikationer kan ändras inom ramen för kontinuerlig produktförbättring.

Du kan se fler tillbehör genom att besöka <https://www.ecovacs.com>.

Hämta den fullständiga versionen av användarhandboken

Skanna QR-koden med din mobilkamera för att hämta användarhandboken.



Skanna QR-koden med din mobilkamera för att hämta användarhandboken.

VIKTIGE SIKKERHETSINSTRUKSJONER

VIKTIGE SIKKERHETSINSTRUKSJONER

Når du bruker et elektrisk apparat, må du alltid følge grunnleggende forholdsregler, inkludert følgende:

LES ALLE INSTRUKSJONENE FØR DU BRUKER DETTE APPARATET TA VARE PÅ DISSE INSTRUKSJONENE

1. Dette apparatet kan brukes av barn fra 8 år og oppover og personer med nedsatt fysisk, sensorisk eller mental funksjonsevne eller manglende erfaring og kunnskap, hvis de har fått veiledning eller instruksjon i sikker bruk av apparatet og forstår farene som er forbundet med det. Barn skal ikke leke med apparatet. Rengjøring og vedlikehold skal ikke utføres av barn uten tilsyn.
2. Rydd området som skal rengjøres. Fjern strømledninger og små gjenstander fra gulvet som kan vikle seg inn i apparatet. Stikk teppekantene inn under teppet, og løft gjenstander som gardiner og duker opp fra gulvet.
3. Hvis det er et høydefall i rengjøringsområdet på grunn av et trinn eller en trapp, må du bruke apparatet på en måte som sikrer at det kan oppdage trinnet uten å falle over kanten. Det kan være nødvendig å plassere en fysisk hindring ved kanten for å hindre at enheten faller ned. Sørg for at den fysiske hindringen ikke utgjør en snubelfare.
4. Produktet må bare brukes som beskrevet i denne bruksanvisningen. Bruk kun tilbehør som anbefales eller selges av produsenten.
5. KUN til INNENDØRS husholdningsbruk. Ikke bruk apparatet utendørs, i næringslokaler eller industrielle miljøer.
6. Ikke bruk apparatet uten at støvoppsamleren og/eller filteret er på plass.
7. Ikke bruk apparatet i et område der det finnes tente stearinlys eller skjøre gjenstander.
8. Hold hår, løse klær, fingre og alle kroppsdeler i trygg avstand fra åpninger og bevegelige deler.
9. Ikke bruk apparatet i et rom hvor et spedbarn eller barn sover.
10. Må ikke brukes eller oppbevares i ekstremt varme eller kalde omgivelser (under -5°C eller over 40°C). Lad roboten ved temperaturer over

0 °C og under 40 °C.

11. Ikke bruk apparatet på våte overflater eller overflater med stående vann.
12. Ikke la apparatet ta opp store gjenstander som steiner, store papirbiter eller andre gjenstander som kan tette til apparatet.
13. Ikke bruk apparatet til å plukke opp brannfarlige eller brennbare materialer som bensin, toner fra skrivere eller kopimaskiner, og ikke bruk det i områder der det kan finnes slike materialer.
14. Ikke bruk apparatet til å plukke opp noe som brenner eller ryker, for eksempel sigaretter, fyrstikker, varm aske eller annet som kan forårsake brann.
15. Ikke stikk gjenstander inn i sugeinntaket. Må ikke brukes hvis sugeinntaket er blokkert. Hold inntaket fritt for støv, lo, hår eller annet som kan redusere luftstrømmen.
16. Hvis strømledningen blir skadet, må den skiftes ut av produsenten eller produsentens serviceverksted for å unngå fare.
17. Slå AV strømbryteren før du rengjør eller vedlikeholder apparatet.
18. Litiumbatteritypen som passer for CH2497F, er

maks. 4 celler, maks. nominell spenning DC 14,4 V, nominell kapasitet 5800 mAh. Batteriet må tas ut og avhendes i henhold til lokale lover og forskrifter før apparatet avhendes.

19. Brukte batterier må avhendes i henhold til lokale lover og forskrifter.
20. Apparatet må ikke brennes selv om det er alvorlig skadet. Batteriene kan eksplodere i en brann.
21. Apparatet må brukes i samsvar med instruksjonene i denne bruksanvisningen. Ecovacs Home Service Robotics kan ikke holdes ansvarlig for skader eller personskader som skyldes feilaktig bruk.
22. Roboten inneholder batterier som kun kan skiftes ut av fagpersoner. Kontakt kundeservice for å bytte ut robotens batteri.
23. Kontroller at spenningen i strømforsyningen stemmer overens med spenningen som er merket på OMNI-stasjonen.
24. Bruk kun det originale oppladbare batteriet og OMNI-stasjonen som følger med apparatet fra produsenten. Ikke-oppladbare batterier er forbudt.
25. Vær forsiktig så strømledningen ikke blir skadet.

- Ikke trekk i eller bær apparatet eller OMNI-stasjonen etter strømledningen. Ikke bruk strømledningen som håndtak. Ikke lukk en dør over strømledningen, Ikke trekk strømledningen rundt skarpe kanter eller hjørner. Ikke la apparatet kjøre over strømledningen. Hold strømledningen i trygg avstand fra varme overflater.
26. Ikke bruk OMNI-stasjonen hvis den er skadet. Strømforsyningen skal ikke repareres, og den skal ikke brukes hvis den blir skadet eller defekt.
 27. Ikke bruk med en skadet strømledning eller stikkontakt. Ikke bruk apparatet eller OMNI-stasjonen hvis de ikke fungerer som de skal, eller har falt i bakken, blitt skadet, blitt stående utendørs eller kommet i kontakt med vann. De må repareres av produsenten eller produsentens serviceverksted for å unngå farer.
 28. Støpselet må trekkes ut av stikkontakten før rengjøring eller vedlikehold av OMNI-stasjonen.
 29. Fjern apparatet fra OMNI-stasjonen og slå AV apparatets strømbryter før du tar ut batteriet for avhending av apparatet.
 30. Når OMNI-stasjonen ikke brukes over en lengre periode, må støpselet trekkes ut.
 31. Hvis roboten ikke skal brukes på lang tid, må du slå av roboten for oppbevaring og koble fra OMNI-stasjonen.
 32. ADVARSEL – Fyll kun rent vann i den rene tanken.
 33. **ADVARSEL:** For å lade batteriet må du kun bruke den avtakbare strømforsyningsenheten CH2497F som følger med apparatet.
- For å oppfylle kravene til RF-eksponering må det holdes en avstand på 20 cm eller mer mellom denne enheten og personer under bruk av enheten.
- For å sikre samsvar anbefales det ikke å befinne seg nærmere apparatet enn dette under bruk. Antennen som brukes til denne senderen, må ikke samlokaliseres med noen annen antenne eller sender.
- ### Oppdatering av enheten
- Noen enheter oppdateres vanligvis annenhver måned, men ikke alltid så spesifikt. Noen enheter, spesielt de som ble lansert for mer enn tre år siden, vil bare bli oppdatert hvis en kritisk sårbarhet blir funnet og rettet.

For å sjekke gjeldende programvareversjon og aktivere automatiske oppdateringer, gå til Innstillinger > Robot Avanserte innstillinger > Om roboten din > Oppdatering i appen. Den nåværende versjonen vises der; trykk på Oppdater for å gå inn på siden og velg Automatisk oppdatering for å aktivere det.

	Forsiktig: varm overflate
	Kortslutningssikker sikkerhetstransformator
	Strømforsyning i brytermodus
	Kun til innendørs bruk
	Likestrøm
	Vekselstrøm
	Les instruksjonene før du lader.
	Polariteten til ladeporten
	Tidsforsinkelse miniatyrsikring

Fjernovervåkingen er kun til absolutt privat bruk på ikke-offentlige, privateide steder for ren selvbeskyttelse og enkeltkontroll. Vær oppmerksom på lokale personvernrelaterte rettslige plikter ved bruk. Ingen overvåking av offentlige steder, spesielt ikke i hemmelig hensikt og/eller fra arbeidsgivers side, uten at det foreligger en berettiget grunn. Slik uberettiget bruk skjer på brukerens eget ansvar og risiko.

EU-samsvarserklæring

Informasjon om avfallshåndtering for brukere av elektrisk og elektronisk utstyr



Dette symbolet på produktet eller på emballasjen indikerer at brukte elektriske og elektroniske produkter ikke skal blandes med usortert kommunalt avfall. For å sikre riktig behandling er det ditt ansvar å avhende avfallsutstyret ditt ved å returnere det til anviste innsamlingssteder.

Ved å avhende dette produktet på riktig måte er du med på å spare verdifulle ressurser og forebygge potensielle negative virkninger på menneskers helse og miljøet, som ellers kunne oppstå som følge av feilaktig avfallshåndtering.

For å returnere den brukte enheten kan du bruke retur- og innsamlingssystemene eller kontakte forhandleren der produktet ble kjøpt, noe som er gratis. Ta kontakt med lokale myndigheter for å få mer informasjon om nærmeste anviste innsamlingspunkt.

Feilaktig avhending av dette avfallet kan medføre straff i henhold til nasjonal lovgivning.

Informasjon for brukere om avfallshåndtering av brukte batterier



Dette symbolet betyr at batterier og akkumulatører etter endt levetid ikke skal blandes med usortert kommunalt avfall. Ditt bidrag er en viktig del av arbeidet med å minimere påvirkningen batterier og akkumulatører har på miljøet og menneskers helse. For korrekt resirkulering kan du returnere dette produktet eller batteriene eller akkumulatorene det inneholder, til leverandøren din eller til et spesifisert innsamlingssted. Dette er gratis.

Ved å avhende dette produktet på riktig måte er du med på å spare verdifulle ressurser og forebygge potensielle negative virkninger på menneskers helse og miljøet, som ellers kunne oppstå som følge av feilaktig avfallshåndtering.

Feilaktig avhending av dette avfallet kan medføre straff i henhold til nasjonal lovgivning.

Det finnes separate innsamlingssystemer for brukte batterier og akkumulatører.

Batterier og akkumulatører må avhendes på riktig måte på den lokale gjenvinningsstasjonen.

Direktivet om begrensning av bruken av visse farlige stoffer (RoHS)

Ecovacs Home Service Robotics Co, Ltd. erklærer herved at hele produktet, inkludert deler (kabler, ledninger osv.), oppfyller kravene i RoHS-direktiv 2011/65/EU og endring av Kommisjonens delegerte direktiv (EU) 2015/863 om begrensning av bruken av visse farlige stoffer i elektrisk og elektronisk utstyr («RoHS-omarbeiding» eller «RoHS 2.0»).

Direktivet om radioutstyr

Ecovacs Home Service Robotics Co, Ltd. erklærer herved at produktet som er oppført i dette avsnittet, er i samsvar med de grunnleggende kravene og andre relevante bestemmelser i radioutstyrsdirektivet 2014/53/EU.

Autorisert representant i Europa:



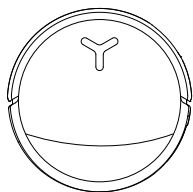
ECOVACS Europe GmbH
Holzstrasse 2 | D-40221 Düsseldorf | Tyskland

Ecovacs Home Service Robotics Co, Ltd. erklærer herved at produktet er i samsvar med de grunnleggende kravene og andre relevante bestemmelser i RoHS-direktiv 2011/65/EU og endring av Kommisjonens delegerte direktiv (EU) 2015/863, radioutstyrsdirektivet 2014/53/EU. Samsvarserklæringen kan ses på følgende adresse:

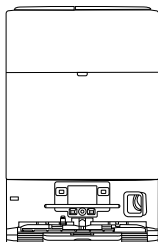
<https://www.ecovacs.com/global/compliance>

PAKKENS INNHOLD

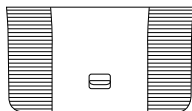
1 Pakkens innhold



DEEBOT



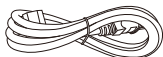
OMNI-stasjon



Base



Bruksanvisning



Strømledning

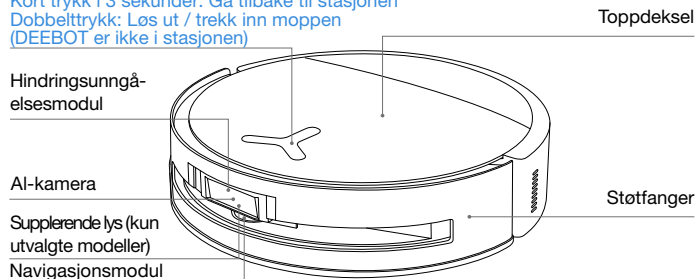
* Tallene i denne håndboken er kun veiledende og kan avvike fra apparatet. Produktdesign og spesifikasjoner kan endres uten varsel.

2 Produktdiagram

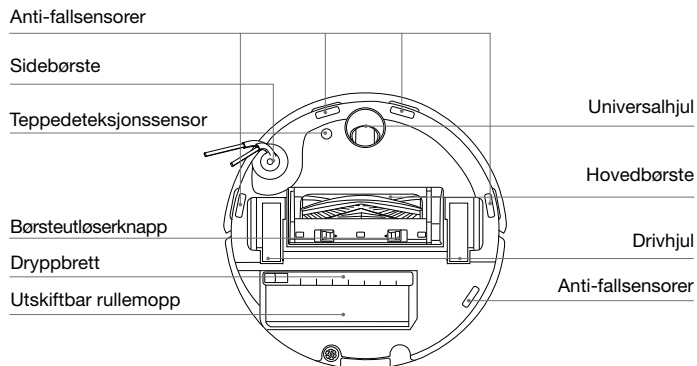
1. DEEBOT sett forfra

Knappene på DEEBOT:

Trykk på: Veksle mellom Start/Pause/Fortsett
Kort trykk i 3 sekunder: Gå tilbake til stasjonen
Dobbeltrykk: Løs ut / trekk inn moppen
(DEEBOT er ikke i stasjonen)



2. DEEBOT sett fra undersiden

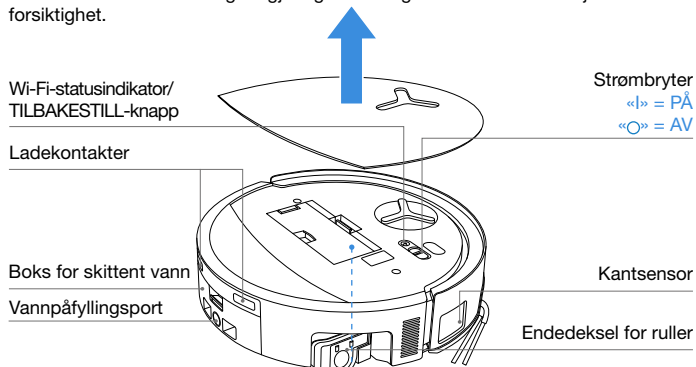


3. Innsiden av DEEBOT (under toppdekslet)

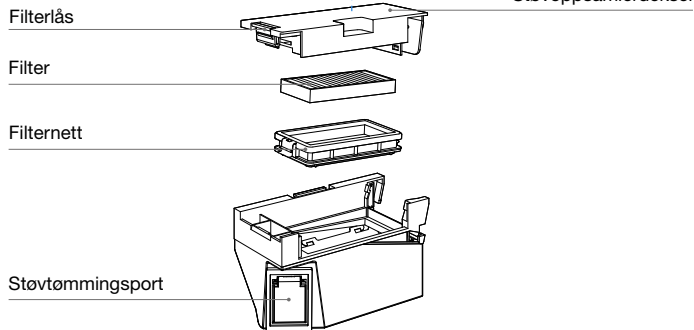
TILBAKESTILL-knapp

Nettverksoppsett: Trykk på TILBAKESTILL-knappen og følg talemeldingene for å konfigurere nettverket.

Gjenoppsett standardinnstillinger: Trykk på TILBAKESTILL-knappen og hold den inne i 5 sekunder. Etter at du har hørt talemeldingen, vil oppstartsmusikken bli avspilt, og DEEBOT vil bli gjenopprettet til standardinnstillingene. Tilbakestilling vil slette eksisterende kart- og rengjøringsinnstillinger. Bruk denne funksjonen med forsiktighet.



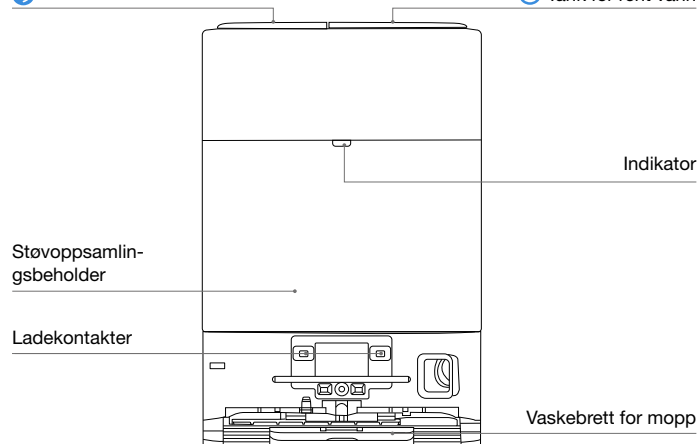
4. Støvsamler



5. OMNI-stasjon

Tank for skittent vann

Tank for rent vann

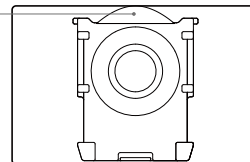


Merk:

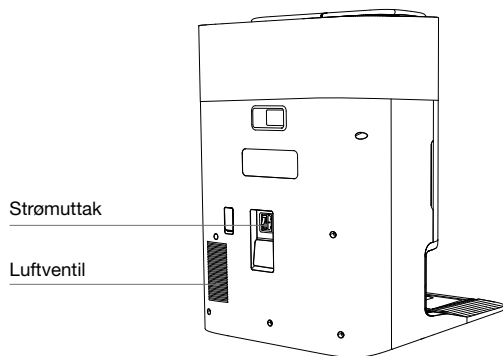
- Blinkende rødt lys: Sjekk ECOVACS HOME-appen for å finne årsaken.
- Hvis DEEBOT ikke lader, må du tørke av ladekontaktene med en ren og tørr klut.

6. Støvpose

Støvposehåndtak



7. OMNI-stasjon (bakside)



8. Indikatorlys

Indikator	Lyseffekt	Tilstand
DEEBOT	Pustende hvitt	Lading pågår
	Kontinuerlig hvitt	Fulladet / i drift
	Fast rød	Lavt batteri
	Blinkende rødt	Funksjonsfeil
Stasjon	Kontinuerlig hvitt	Standby / i drift
	Blinkende rødt	Funksjonsfeil
	Går ut	Strømbrudd/dvalemodus

9. Oversikt over sensorer

Navn	Funksjonell beskrivelse
Navigasjonsmodul	Laseravstandsmåling brukes til å måle avstanden mellom DEEBOT og gjenstander i omgivelsene basert på tidsforskjellen i refleksjonen. Ved hjelp av denne målingen kan modulen kartlegge gjenstandene rundt mens DEEBOT beveger seg. Deteksjonsområdet er 10 m.
Hindringsunngåelsesmodul	Infrarød avstandsmåling og lignende trekanter brukes til å måle avstanden mellom gjenstander i omgivelsene og DEEBOT. Når sensoren oppdager en gjenstand i nærheten, vil DEEBOT automatisk svinge for å unngå å støte borti gjenstanden. Deteksjonsområdet er 0,3 m.
Anti-fallsensorer	Ved hjelp av infrarød avstandsmåling registreres avstanden mellom DEEBOTs underside og gulvet av infrarøde sensorer på undersiden. DEEBOT vil ikke bevege seg fremover når det er trapper foran den (for eksempel når høyden på den hvite overflaten er 55 mm eller mer, eller høyden på den svarte overflaten er 30 mm eller mer) og den identifiserte høyden overstiger den som er forhåndsinnstilt, noe som aktiverer fallbeskyttelsesfunksjonen.
Teppedeteksjonssensor	Sensoren sender ut ultralyd på 300 kHz. Energien fra ultralyden absorberes av teppet, slik at ekkoen er lavere enn terskelverdien. DEEBOT oppdager dermed at det er teppe. I ECOVACS-laboratoriet er det identifisert mer enn 50 typer tepper som er tilgjengelige på markedet.
Antikollisjonssensor	Med prinsippet om optokoblingsbryteren vil DEEBOT unngå hindringer når de er i ferd med å kollidere.
Kantsensor	Med infrarød avstandsmåling registrerer kantsensoren avstanden mellom DEEBOT og gjenstander på siden. Når det er en vegg eller hindringer på høyre side, utfører DEEBOT kantregulering for å unngå å overse noen steder og forhindre kollisjoner.
AI-kamera	Bruk AI-kameraer til å ta bilder av omgivelsene. Gjør videoopptak. Gjennom interaksjon med MIC kan man gjennomføre fjernvideoamtaler (for enkelte modeller).

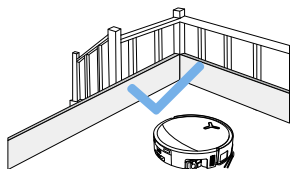
INNLEDENDE OPPSETT OG BRUK

1 Merknader før rengjøring



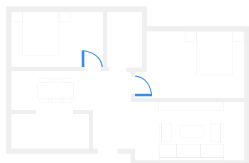
Rydd området som skal rengjøres

For å oppnå størst mulig rengjøringsområde må du plassere møbler som bord, stoler og gulvventilatorer på riktig sted, og fjerne lavtliggende gjenstander, for eksempel badevekker, før du bruker DEEBOT.



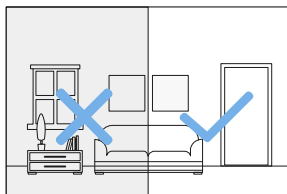
Hindre DEEBOT i å falle

Plasser en fysisk hindring ved kanten av en nivåforskjell, for eksempel trapper og trinn, for å hindre at DEEBOT faller over kanten.



Åpne dører og hjelp DEEBOT med å utforske

Åpne alle dørene til de ulike rommene slik at DEEBOT kan utforske hele huset ved første gangs bruk.



Sørg for tilstrekkelig belysning

Sørg for at alle rengjøringsområder er godt opplyst, slik at DEEBOTs AI-kamera kan unngå hindringer som sko, sokker og ledninger på en nøyaktig måte.



Fjern gjenstander som kabler, klær og tøfler fra gulvet for å forbedre rengjørings effektiviteten.



Før du bruker produktet på et teppe med frynser, må du legge frynsene inn under teppet.



Unngå å stå i trange rom, for eksempel i korridorer, slik at du ikke står i veien for navigasjonsmodulen.



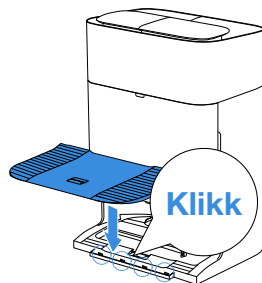
Sørg for at DEEBOT har klar sikt, og unngå å lage riper i AI-kameraobjektivet eller smusse det til med fingeravtrykk eller fettflekker. Bruk en ren, myk klut til å tørke av kameraet. Unngå rengjøringsmidler, vaskemidler eller spray.

2 Hurtigstart

Fjern alt beskyttelsesmateriale før bruk.

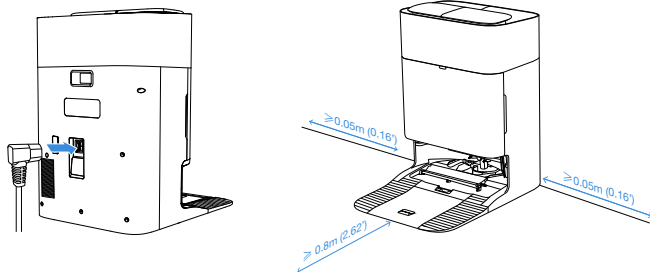
1. Installasjon

Et klikkelyd indikerer at installasjonen er utført riktig.



2. Sett sammen og plasser stasjonen

Plasser OMNI-stasjonen mot vegg på flatt, hardt underlag. Ikke plasser gjenstander innenfor 0,05 m på hver side og 0,8 m foran.



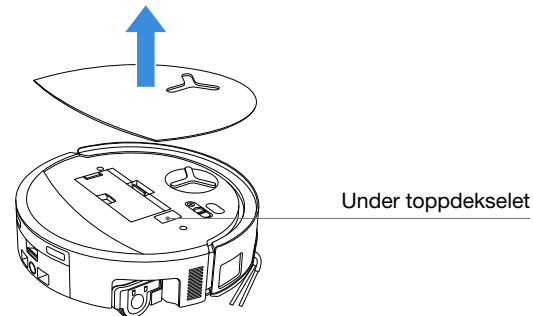
Merk:

- Hvis det er reflekterende gjenstander som speil og reflekterende gulvlister i nærheten av stasjonen, må de nederste 14 cm av disse gjenstandene dekkes til.
- Ikke plasser stasjonen i direkte sollys eller i omgivelser med høy temperatur.
- Plasser stasjonen på et sted med sterkt Wi-Fi-signal for å få en bedre brukeropplevelse.
- Ikke bruk apparatet på våte overflater eller overflater med stående vann.
- Ikke tork DEEBOT og stasjonen med en fuktig klut eller bruk noen form for væske.

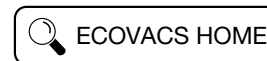
3 Last ned ECOVACS HOME-appen

For å kunne benytte alle tilgjengelige funksjoner anbefales det at du styrer DEEBOT via ECOVACS HOME-appen.

Skann QR-koden under toppdekelet for å laste ned appen.





Eventuelt kan du søke etter «ECOVACS HOME» i App Store eller Google Play for å laste ned appen.



Merk: Folg instruksjonene i appen for å fullføre registreringen, påloggingen og tilkoblingen.

4 Koble DEEBOT til APP

Via Bluetooth: Slå på DEEBOT og Bluetooth på mobiltelefonen din. Gi appen tillatelse til å bruke Bluetooth på mobiltelefonen. Trykk for å skanne QR-koden på DEEBOT, eller trykk på  eller  i appen for å finne DEEBOT i nærheten.


Via Wi-Fi: Du kan også velge å koble DEEBOT til appen på andre måter i henhold til instruksjonene på appens side.

Merk: Koble til via Bluetooth for å få en bedre opplevelse.

Krav til Wi-Fi-nettverk:

- Du bruker et 2,4 GHz eller 2,4/5 GHz blandet nettverk.
- Ruterens din støtter 802.11b/g/n og IPv4-protokollen.
- Ikke bruk VPN (virtuelt privat nettverk) eller proxy-server.
- Ikke bruk et skjult nettverk.
- WEP EAP (Enterprise Authentication Protocol) støttes ikke.
- Bruk Wi-Fi-kanalene 1–11 i Nord-Amerika og kanalene 1–13 utenfor Nord-Amerika (se lokale tilsynsorgan).
- Hvis du bruker en nettverksforlenger/repeater, er nettverksnavnet (SSID) og passordet det samme som for ditt primære nettverk.
- Aktiver WPA2 på ruterens din.

Wi-Fi-indikatorlys

	Langsamt blinkende hvitt	Frakoblet fra Wi-Fi
	Hurtig blinkende hvitt	Kobler til
	Kontinuerlig hvitt	Koblet til Wi-Fi

Vær oppmerksom på at intelligente funksjoner som fjernstart, 2D/3D-kartvisning og kontrollinnstillinger, samt personlig tilpasset rengjøring (avhengig av apparatet) krever ECOVACS HOME-appen, som oppdateres kontinuerlig. Du må godta våre retningslinjer for personvern og brukeravtale slik at vi kan behandle noen av dine viktige og nødvendige opplysninger før du kan bruke visse funksjoner i ECOVACS HOME-appen til å styre apparatet. Hvis du ikke samtykker til våre retningslinjer for personvern og brukeravtale, vil disse funksjonene ikke være tilgjengelige. Du kan imidlertid fortsatt bruke de grunnleggende funksjonene på dette apparatet for manuell betjening.

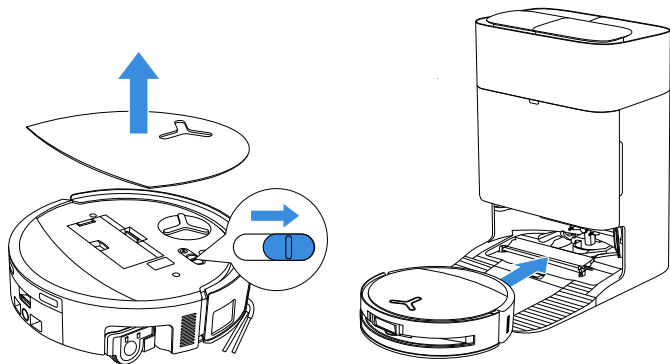
Informasjon om nettverksgrensesnitt

Navn	Beskrivelse
Infrarødt grensesnitt	Det infrarøde grensesnittet er som standard slått av, og det aktiveres når roboten er i ladestasjonen. Når DEEBOT er i ladestasjonen, kommuniserer den med ladestasjonen via det infrarøde grensesnittet.
Bluetooth	Aktiver Bluetooth for å koble roboten til nettverket under prosessen for nettverksoppsett. Bluetooth bruker tjenesten GAP1800, GATT 1801, 8888 for sikker konfigurering og datautveksling.
Wi-Fi*	Muliggjør dataoverføring mellom appen og roboten slik at roboten kan styres via appen.
ECOVACS HOME-appen	ECOVACS-produkter tilbyr smarte funksjoner som nettverksoppsett, kartlegging og valg av rengjøringsmodus (spesifikt for hvert produkt). For å bruke disse funksjonene må brukerne laste ned og bruke den offisielle ECOVACS HOME-appen.

* DEEBOT-serien med robotstøvsugere er designet for rengjøring i hjemmet. Et Wi-Fi-hjemmenettverk er nødvendig for drift, og anti-DDoS-beskyttelse må konfigureres av brukerne via ruterinnstillingene.

5 Slå på og lade DEEBOT

Slå på strømbryteren under DEEBOTs deksel («I»= PÅ, «O»= AV), og plasser DEEBOT foran stasjonen som er koblet til strømforsyningen. Flytt deretter DEEBOT tilbake til stasjonen.

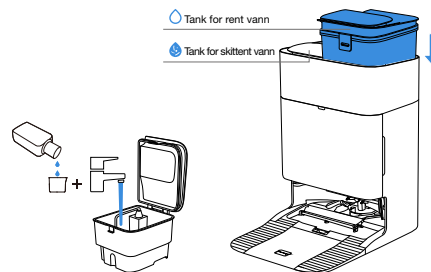


Merk:

- DEEBOT kan ikke lades når den er slått av.
- Etter rengjøring anbefales det å la DEEBOT være slått på og lade den, slik at den er klar for neste rengjøring.
- Start rengjøringen fra stasjonen. Ikke flytt stasjonen mens rengjøringen pågår.

6 Fylle rentvannstanken

Fyll rentvannstanken med rent vann. Tilsett en passende mengde rengjøringsmiddel med et fortløyningsforhold på 1:200 ved hjelp av flaskekorken. Fest tankdekelet, rist forsiktig for å blande, og bruk.



Merk:

- Når rentvannstanken er full (ca. 4 liter), tilsetter du en kork med rengjøringsmiddel (ca. 20 ml).
- Ikke tilsett varmt vann, siden dette kan føre til at vanntanken deformeres.
- Hvis det er vannflekker på utsiden av vanntanken, kan de tørkes av med en myk, tørr klut før du setter den tilbake for bruk.
- Ikke tilsett andre rengjøringsløsninger enn de offisielle ECOVACS-løsningene, da dette kan forårsake skade på produktet.
- Eventuelle vannflekker inne i vanntanken er rester etter tester på fabrikken. Du trenger ikke bekymre deg for dette.

7 Betjene DEEBOT

1. Start kartlegging


Når du oppretter et kart for første gang, må du følge DEEBOT for å hjelpe til med mindre problemer.

For eksempel kan DEEBOT sette seg fast under møbler. Se følgende løsninger:


- 1 Løft opp lavtstående møbler hvis det er mulig;
- 2 Dekk til nedre del av møblene.

2. Start rengjøring

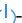
- DEEBOTs vanntank fylles automatisk opp via stasjonen. Manuell påfylling er ikke nødvendig.
- Når DEEBOT mopper, gjenkjenner den gulvtyper, og den kan løfte rullempopen automatisk når den kommer til tepper. Ikke bruk DEEBOT på tepper med lang luv eller tepper med fibre som er lengre enn 10 mm. Det anbefales å brette sammen tepper med fibre som er lengre enn 10 mm før rengjøringsprosessen. Sett en virtuell grense i ECOVACS HOME-appen.

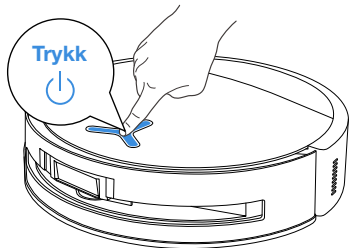
Sørg for at DEEBOT er i stasjonen og er fulladet før du rengjør for første gang. Trykk på  på DEEBOT for å starte. Du kan også bruke ECOVACS HOME-appen til å starte.

3. Pause


Trykk på  på DEEBOT for å sette den på pause mens den arbeider. Du kan også bruke ECOVACS HOME-appen til å sette DEEBOT på pause.

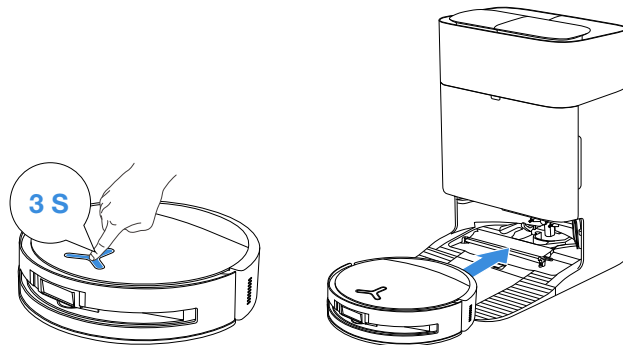
4. Vekking

Etter en kort pause slukkes alle indikatorlysene på DEEBOT. For å vekke DEEBOT må du trykke kort på , eller bruke ECOVACS HOME-appen.



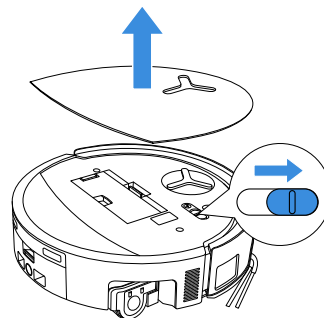
5. Tilbake til stasjonen

Bruk ECOVACS HOME-appen til å kalle tilbake DEEBOT, eller trykk og hold inne -knappen på DEEBOT i 3 sekunder for å la DEEBOT dokke for lading.



6. Dvalemodus

DEEBOT går inn i dvalemodus hvis den blir værende utenfor stasjonen i omtrent 10 timer. Dette er for å beskytte batteriet. Slå AV og PÅ for å vekke DEEBOT. Hvis den ikke reagerer, må du plassere DEEBOT på ladestasjonen for å lade den.



REGELMESSIG VEDLIKEHOLD

Vedlikeholdshyppighet

For å sikre topp ytelse fra DEEBOT, må du utføre vedlikehold og skifte ut deler med følgende intervaller:

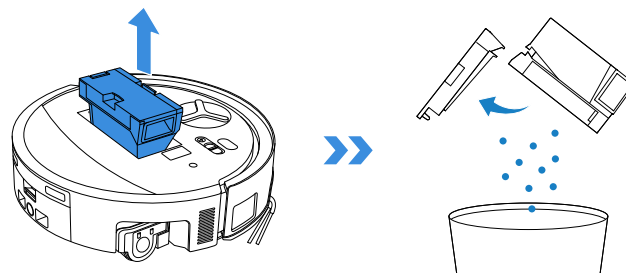
DEEBOT-del	Vedlikeholdshyppighet	Utskiftningshyppighet
Vaskbar rullebopp	/	Hver 1. til 2. måned
Boks for skittent vann	Hver uke	/
Dryppbrett	Hver uke	/
Støvpose	/	Når appen gir melding om det
Sidebørste	Annenhver uke	Hver 3. til 6. måned
Hovedbørste	Hver uke	Hver 6. til 12. måned
Filter	Hver uke	Hver 3. til 6. måned
Universalhjul Anti-fallsensorer Kantsensor Støtfanger Ladekontakter på DEEBOT Ladekontakter på OMNI-stasjonen Navigasjonsmodul Hindringsunngåelsesmodul AI-kamera	Ca. hver måned	/
Tank for rent vann	Hver tredje måned	/
Tank for skittent vann	Hver måned	/
Støvoppsamlingsbeholder	Hver måned	/
Stasjonens hoveddel og bunn	Hver måned	/
Vaskebrett for mopp	Hver femte måned	/

Se mer tilbehør i ECOVACS HOME-appen eller på <https://www.ecovacs.com>

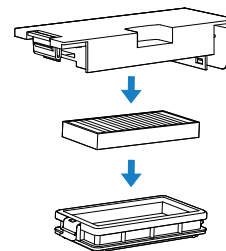
Vedlikehold av DEEBOT

1 Vedlikehold av støvoppsamler og filter

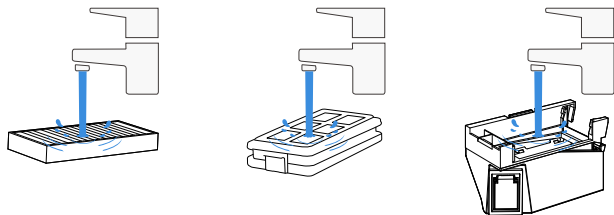
1. Ta ut støvoppsamleren og tøm den.



2. Åpne filternettets og ta ut filteret.



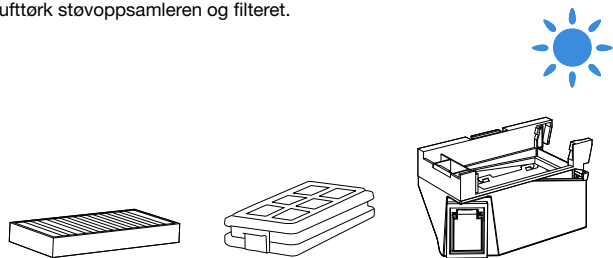
3. Skyll støvopsamleren og filteret med vann, og rist av vanndråpene.



Merk:

- Skyll filteret med vann som vist.
- Ikke bruk fingrene eller en børste til å rengjøre filteret.

4. Lufttørk støvopsamleren og filteret.



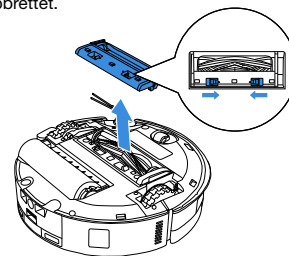
Merk: Tørk støvopsamlerens komponenter helt før bruk.

2 Vedlikehold av hovedbørste og sidebørste

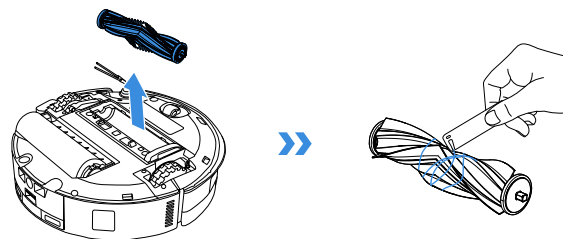
Rengjør hovedbørsten

1. Fjern dekselet fra hovedbørsten.

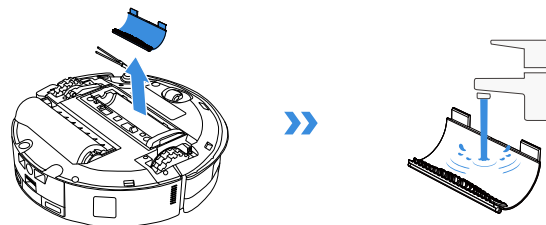
Merk: Før du snur DEEBOT opp ned, må du tømme alt gjenværende vann fra tanken for skittent vann og dryppbrettet.



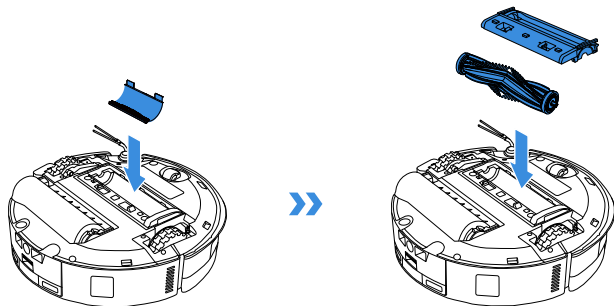
2. Ta ut og rengjør hovedbørsten.



3. Ta ut, rengjør og tørk børstekammen.

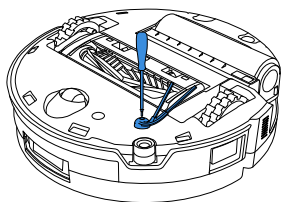


4. Sett på børstekammen, hovedbørsten og dekselet.




Rengjør sidebørsten

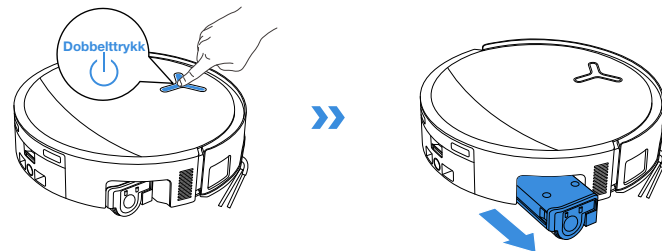
Ta ut sidebørsten ved hjelp av en skrutrekker, og rengjør den.



3 Vedlikehold av rullemp

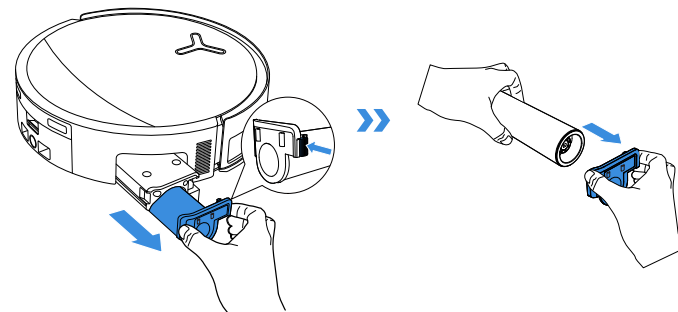
Rengjør rullempen

1. Dobbeltrykk på knappen  for å løse rullempkomponenten.

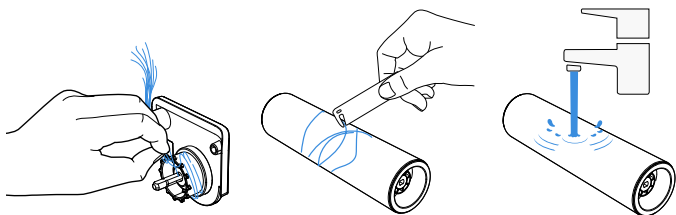


Merk: Ikke bruk kraft når du trekker i rullen mens den er trukket inn. Dette kan skade rullempkomponenten.

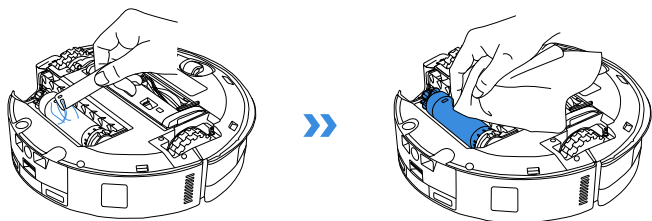
2. Trykk på låseknappen på siden for å ta ut rullen.



3. Rengjør rullemoppen.

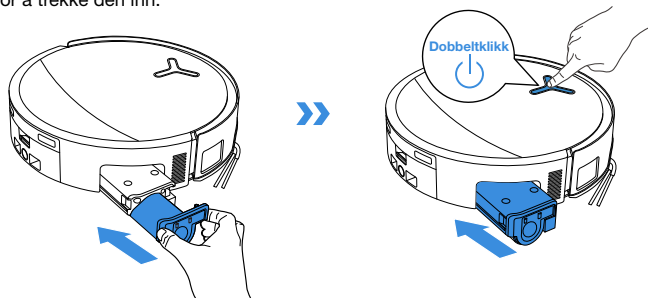


4. Rengjør rullens inside.



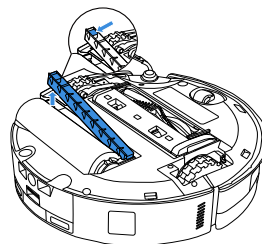
Merk: Ikke vask DEEBOT med vann.

5. Skyv rullemoppen inn i endekselet for ruller, og dobbeltrykk på knappen for å trekke den inn.



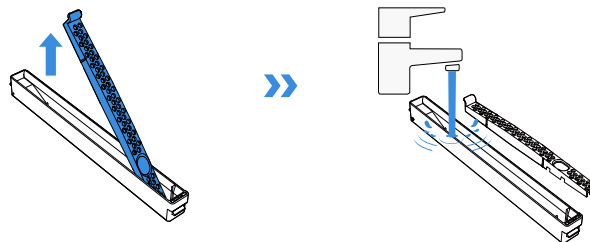
4 Vedlikehold av dryppbrett

1. Ta ut dryppbrettet.

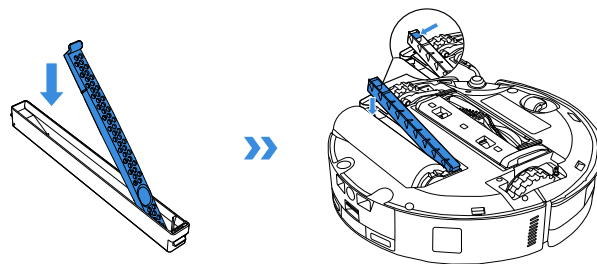


Merk: Det kan lekke ut en liten mengde restvann når DEEBOT snus på hodet hvis den ikke er i tørkemode.

2. Ta ut og rengjør komponentene i dryppbrettet.

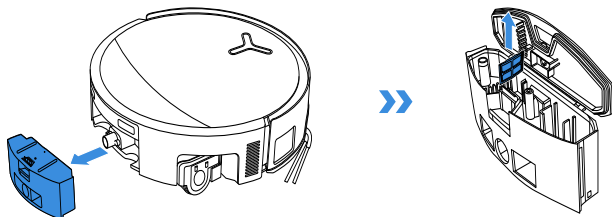


3. Sett inn dryppbrettets filterkomponenter som vist på illustrasjonen.

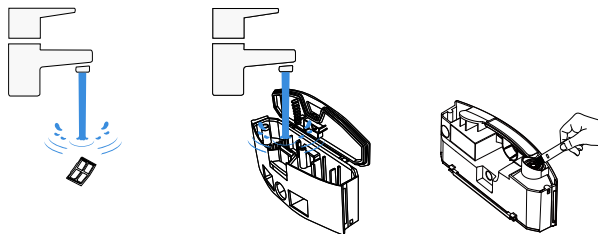


5 Vedlikehold av boks for skittent vann

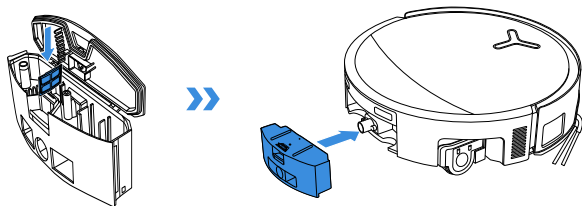
1. Ta ut boksen for skittent vann og filternettet.



2. Rengjør filternettet, boksen og avløpsrøret.



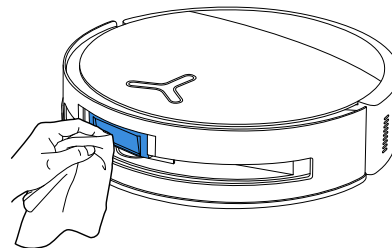
3. Sett filteret på plass igjen, trykk godt til, og sett deretter lokket på boksen for skittent vann på plass igjen.



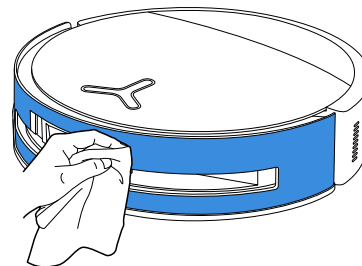
Trykk inn dekselet til boksen for skittent vann i angitt retning til det flukter med boksens øvre kant for å sikre at den blir helt tett.

6 Vedlikehold av andre komponenter

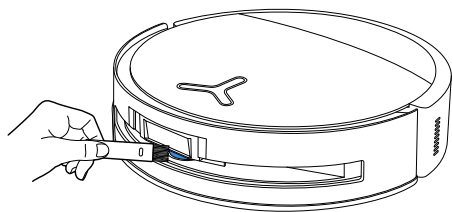
Rengjør linsen på hindringsunnngåelsesmodulen



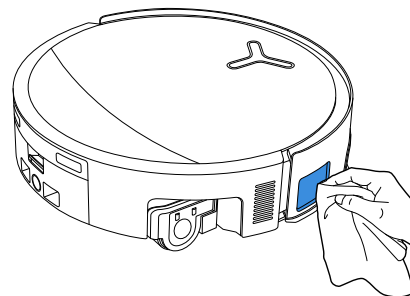
Rengjør støffangeren



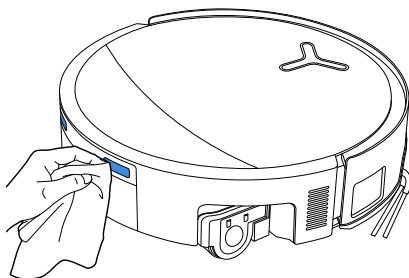
Rengjør navigasjonsmodulen



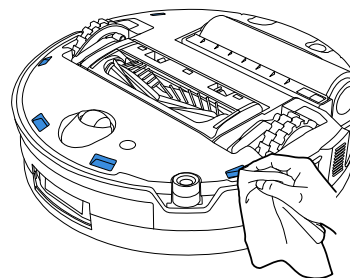
Rengjør kantsensoren



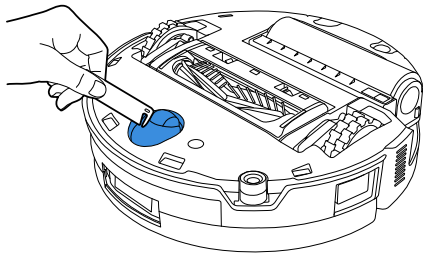
Rengjør ladekontaktene



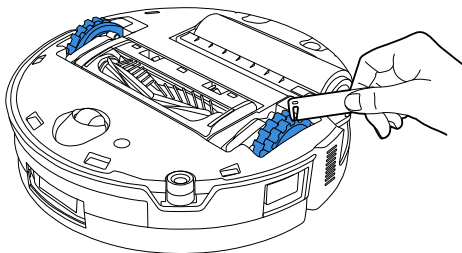
Rengjør anti-fallsensorene



Rengjør universalhjulet



Rengjør kjørehjulene/drivhjulene



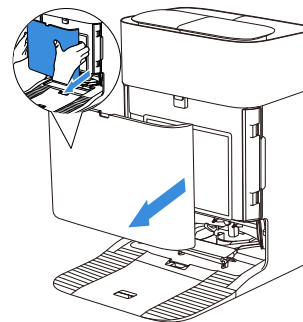
Merk:

- Se mer tilbehør i ECOVACS HOME-appen eller på <https://www.ecovacs.com>.
- Tørk av de andre komponentene med en ren, tørr klut. Bruk aldri en våt klut. Ikke bruk rengjøringspray eller vaskemidler.

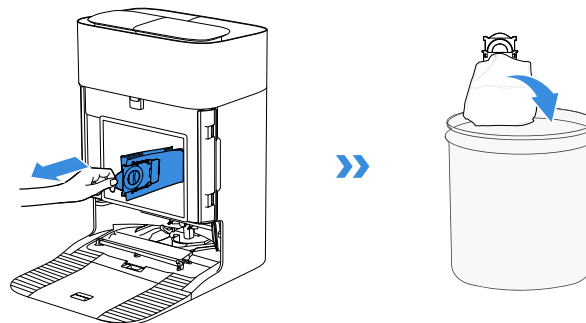
Vedlikehold av stasjonen

1 Vedlikehold av støvopsamler

1. Fjern støvopsamlingsbeholderens deksel.

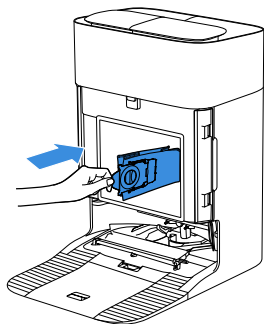


2. Ta ut engangsstøvposen i pilens retning, og kast den.

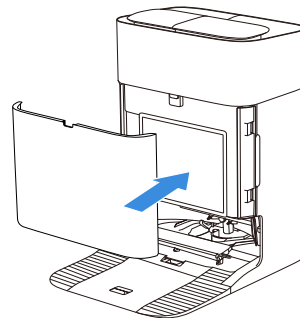


Merk: Hold i håndtaket for å løfte ut støvposen. Dette hindrer støvlekkasje.

3. Rengjør støvoppsamlingsbeholderen med en tørr klut og sett inn en ny støvpose.

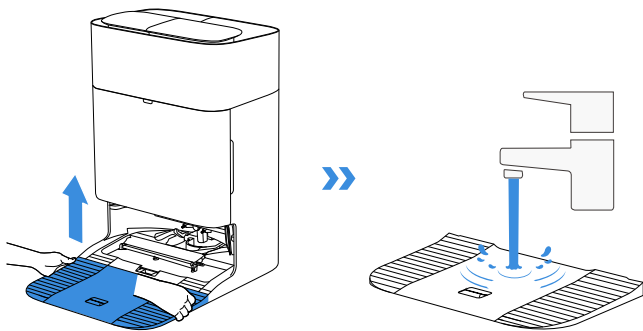


4. Sett den øvre låsen på støvoppsamlingsbeholderens deksel inn i sporet, og trykk deretter nedover for å sikre at det er tett.

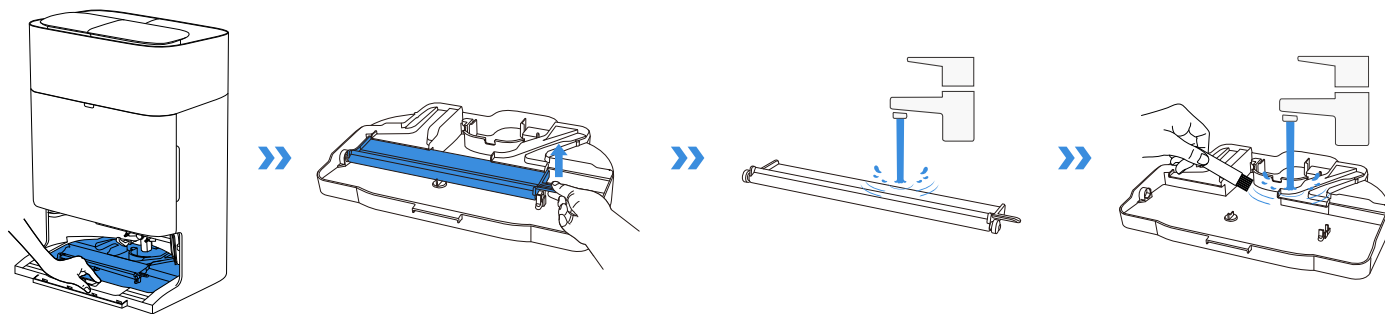


2 Vedlikehold av vaskebrett for mopp

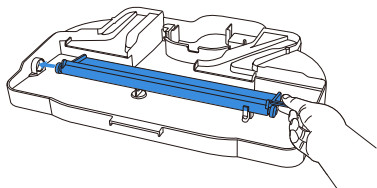
1. Ta ut og rengjør stasjonsbasen.



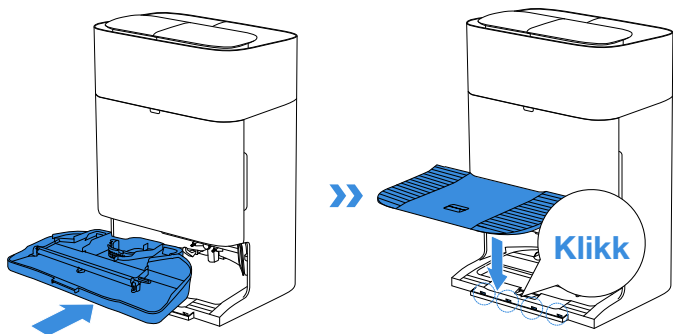
2. Ta ut og rengjør vaskebrettet for mopp og bløtleggingsbrettet.



3. Sett inn bløtleggingsbrettet.



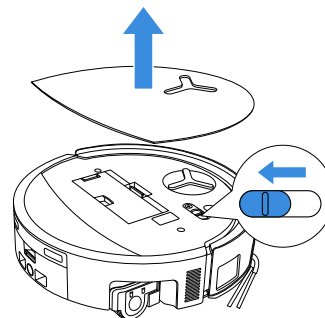
4. Monter vaskebrettet for mopp og understellet.



Merk: Installer brettet og basen riktig for å unngå funksjonsfeil.

3 Lagring

Lad DEEBOT fullstendig opp og slå den AV før oppbevaring. Lad den opp hver 1,5 måned for å forhindre at batteriet utlades mer enn det som er gunstig.



! Vær oppmerksom på at DEEBOT ikke kan lades når den er slått AV.

Merk:

- Når DEEBOT har fullført rengjøringsoppgaven, anbefales det å ikke slå den av, men å la den lade slik at den er klar til neste rengjøringsøkt.
- Hvis batteriet lades ut mer enn det som er gunstig, eller ikke har vært brukt på lenge, kan det hende at DEEBOT ikke kan lades.


Ta kontakt med ECOVACS for å få hjelp. Ikke demonter batteriet selv.

- Hvis du ikke bruker produktet på lang tid, må du holde boksen for skittent vann og vanntankene tomme og moppen tørr.

FEILSØKING


For følgende mulige problemer, se de tilhørende løsningene.

Nr.	Funksjonsfeil	Mulig årsak	Løsning
1	DEEBOT kan ikke koble seg til ECOVACS HOME-appen.	Feil Wi-Fi-brukernavn eller passord er oppgitt.	Skriv inn riktig Wi-Fi-brukernavn og passord.
		DEEBOT er ikke innenfor rekkevidden til Wi-Fi-signalet i boligen din.	Sørg for at DEEBOT er innenfor rekkevidden til Wi-Fi-signalet i boligen din. Prøv å holde deg så nær ruterer som mulig.
		DEEBOT er ikke i konfigurasjonsmodus.	Trykk på tilbakestill-knappen for å koble DEEBOT til telefonen din via Bluetooth. Hvis det mislykkes, må du koble til på nytt via ECOVACS HOME-appen.
		Det er ikke noe hjemmenettverk på Wi-Fi-listen.	1. Kontroller om Wi-Fi-navnet inneholder spesialtegn. Ikke bruk spesialtegn som! @#& ¥%^\. 2. Ikke bruk et nettverk på 5 GHz.
		Feil app er installert.	Last ned og installer ECOVACS HOME-appen.
2	Kan ikke opprette møbelkartet i appen.	Hvis du flytter DEEBOT mens rengjøring pågår, kan det føre til at kartet går tapt.	Ikke flytt DEEBOT mens rengjøring pågår.
		Automatisk rengjøring er ikke fullført.	Pass på at DEEBOT automatisk går tilbake til OMNI-stasjonen etter rengjøring.
		Fleretasjemosus var ikke aktivert da det andre kartet ble opprettet.	Aktiver fleretasjemosus i appen.
3	Sidebørsten faller ut under bruk.	Sidebørsten er ikke riktig monteret.	Når du monterer sidebørsten med en skrutrekker, må du sørge for at skruen skrur godt til.
4	Finner ikke noe signal. Kan ikke gå tilbake til stasjonen.	OMNI-stasjonen er feilplassert.	Plasser stasjonen riktig i henhold til instruksjonene i avsnittet [Slå på og lade DEEBOT] .
		OMNI-stasjonen har sluppet opp for strøm eller har blitt flyttet.	Kontroller om OMNI-stasjonen er koblet til strømforsyningen. Ikke flytt OMNI-stasjonen.
		DEEBOT starter ikke rengjøringen fra OMNI-stasjonen.	Det anbefales at DEEBOT starter rengjøringen fra OMNI-stasjonen.
		Dokkeruten er blokkert. For eksempel er døren lukket til rommet der OMNI-stasjonen er plassert.	Hold laderuten fri.

Nr.	Funksjonsfeil	Mulig årsak	Løsning
5	DEEBOT går tilbake til OMNI-stasjonen før den er ferdig med rengjøringen.	Rommet er så stort at DEEBOT må gå tilbake for å lade opp.	Aktiver automatisk gjenopptakelse. For nærmere informasjon, følg instruksjonene i appen.
		I boliger med spesielt kompleks innredning kan rengjørings effektiviteten reduseres, noe som kan føre til ufullstendig rengjøring.	Gjør innredningen i boligen (hjem layout) enklere.
6	DEEBOT kan ikke lades.	DEEBOT er ikke slått PÅ.	Slå på DEEBOT.
		DEEBOTs ladekontakter er ikke koblet til OMNI-stasjonens ladekontakter.	Sørg for at DEEBOTs ladekontakter er koblet til stasjonens ladekontakter, og at  blinker. Kontroller om ladekontaktene på DEEBOT og OMNI-stasjonen er skitne. Rengjør disse delene i henhold til instruksjonene i avsnittet [REGELMESSIG VEDLIKEHOLD] .
		OMNI-stasjonen er ikke koblet til strømforsyningen.	1. Kontroller at OMNI-stasjonen er koblet til strømforsyningen. 2. Når strømmen er tilkoblet, må du kontrollere at motorens oppstartsljud kan høres.
		Basen er ikke installert på plass.	Se informasjon om riktig installasjon i avsnittet [Hurtigstart] .
7	DEEBOT lager mye støy under rengjøring.	Hovedbørsten/sidebørsten er tilfloket, eller støvoppsamleren/filteret er tilstoppet.	Det anbefales å rengjøre hovedbørsten, sidebørsten, støvoppsamleren, rullempopen, filteret osv. regelmessig.
		DEEBOT er i modus for sterk sugekraft eller modus for maksimal sugekraft.	Bytt til standardmodus.
8	DEEBOT setter seg fast mens den arbeider, og stopper.	DEEBOT har viklet seg inn i gjenstander på gulvet (elektriske ledninger, gardiner, teppekanter osv.).	DEEBOT vil prøve ulike måter å frigjøre seg på. Hvis forsøkene mislykkes, må du fjerne hindringene manuelt og starte på nytt.
		DEEBOT kan bli sittende fast under møbler som har en høyde over bakken som er tilnærmet lik robotens.	Løft møblene, sett opp en fysisk barriere eller sett opp en virtuell grense via ECOVACS HOME-appen.
		DEEBOT sitter fast i et smalt område.	Rydd boligen, sett opp en fysisk barriere eller sett opp en virtuell grense via ECOVACS HOME-appen.

Nr.	Funksjonsfeil	Mulig årsak	Løsning
9	Under rengjøringen kan DEEBOT støte på problemer som uryddig rute, skjev bevegelse, gjentatt rengjøring av de samme stedene og manglende rengjøring av små områder. (Hvis det er et stort område som ikke er blitt rengjort midlertidig, vil DEEBOT automatisk rengjøre det oversette området. Noen ganger vil DEEBOT gå inn i et rengjort rom på nytt, noe som ikke nødvendigvis innebærer gjentatt rengjøring, men kan bety at DEEBOT finner oversette områder.)	Gjenstander som ledninger og tøfler som ligger på gulvet, blokkerer DEEBOT.	Før rengjøring må du rydde opp i ledninger, tøfler og andre gjenstander på gulvet så godt som mulig. Hvis det er områder som ikke blir rengjort, vil DEEBOT automatisk korrigere dette. Unngå å forstyrre prosessen (for eksempel ved å flytte DEEBOT eller blokkere ruten).
		Drivhjulene kan spinne når DEEBOT kjører opp trapper eller over terskler, dørsperre eller dørstokker, noe som kan påvirke dens vurdering av hele boligarealet.	Det anbefales å lukke døren til det berørte området og rengjøre det separat. Etter rengjøring vil DEEBOT gå tilbake til startposisjonen.
		På nyvoksede eller polerte gulv og glatte fliser, kan det være mindre friksjon mellom drivhjulene og gulvet.	Vent til voksen har tørket før du rengjør.
		På grunn av variasjoner i boligens innredning kan DEEBOT ikke komme inn i enkelte områder.	Rydd boligen før å sikre at DEEBOT kan komme til de områdene som skal rengjøres.
10	Forsinkelse i fjernkontrollen.	Wi-Fi-signalet er dårlig, noe som fører til at videoen lastes inn sakte.	Bruk DEEBOT i områder med godt Wi-Fi-signal.
11	Etter å ha returnert til OMNI-stasjonen, tømmer ikke DEEBOT støvoppsamleren.	Funksjonen for automatisk tømning er ikke slått på i ECOVACS HOME-appen.	Slå på funksjonen for automatisk tømning i ECOVACS HOME-appen.
		Hvis du flytter DEEBOT manuelt tilbake til stasjonen, vil ikke funksjonen for automatisk tømning bli aktivert.	Det anbefales å la DEEBOT gå tilbake til OMNI-stasjonen på egen hånd. Ikke flytt den manuelt.
		I Ikke forstyr-modus vil DEEBOT ikke tømme støvet etter at den har gått tilbake til OMNI-stasjonen.	Slå av Ikke forstyr i ECOVACS HOME-appen eller start støvtømming manuelt.
		Stasjonen registrerer en reduksjon i tømmeeffektiviteten.	Bytt støvpose i henhold til avsnittet [REGELMESSIG VEDLIKEHOLD] og lukk støvoppsamlingsbeholderen. Hvis støvposen ikke er full når appen gir melding om at den må byttes, kan du sette den tilbake igjen.
		Kontroller om støvoppsamleren er full og forårsaker en blokkering.	Rengjør støvoppsamleren i henhold til avsnittet [REGELMESSIG VEDLIKEHOLD] .
		Hvis de ovennevnte mulige årsakene er utelukket, kan det være feil på komponentene i stasjonen.	Kontakt kundeservice for hjelp.

Nr.	Funksjonsfeil	Mulig årsak	Løsning
12	Automatisk tømning mislyktes.	Stasjonen registrerer en reduksjon i tømmeeffektiviteten.	Bytt støvpose i henhold til avsnittet [REGELMESSIG VEDLIKEHOLD] og lukk støvopsamlingsbeholderen. Hvis støvposen ikke er full når appen gir melding om at den må byttes, kan du sette den tilbake igjen.
		Utløpet til støvopsamleren er blokkert av fremmedlegemer.	Ta ut støvopsamleren og fjern fremmedlegemer fra utløpet.
13	Innsiden av støvopsamlingsbeholderen er skitten.	Fine partikler passerer gjennom støvposen og samler seg på innsiden av støvopsamlingsbeholderen.	Rengjør innsiden av støvopsamlingsbeholderen.
		Støvposen er ødelagt.	Kontroller og skift støvposen.
		Støvposen er ikke riktig montert.	Sett støvposen riktig på plass.
		Støvopsamlingsbeholderens deksel er ikke lukket.	Kontroller at støvopsamlingsbeholderens deksel er riktig lukket.
14	Det oppstår støvlekkasje mens DEEBOT arbeider.	Utløpet til støvopsamleren er blokkert av fremmedlegemer.	Ta ut støvopsamleren og fjern fremmedlegemer fra utløpet.
15	Rullemoppen roterer ikke.	Rullemoppen er ikke riktig installert.	Installer rullemoppen riktig i henhold til avsnittet [REGELMESSIG VEDLIKEHOLD] .
		Rullemoppen er blokkert av fremmedlegemer.	Rengjør og installer rullemoppen riktig i henhold til avsnittet [REGELMESSIG VEDLIKEHOLD] .
16	Drivhjulet sitter fast.	Drivhjulet har viklet seg inn i noe eller sitter fast på grunn av fremmedlegemer.	Roter og trykk på drivhjulet for å sjekke om det er noe som har viklet seg inn eller hindrer fremdriften. Hvis det finnes fremmedlegemer, må du fjerne dem umiddelbart. Hvis problemet vedvarer, kan du kontakte kundeservice for å få hjelp.

Nr.	Funksjonsfeil	Mulig årsak	Løsning
17	Vaskebrettet for moppen er fullt av vann og kan ikke tømmes. En talemelding melder om feil på vaskebrettet for moppen.	Tanken for skittent vann er ikke riktig installert.	Trykk ned på tanken for skittent vann for å sikre at den er riktig installert.
		Tetningspluggene i tanken for skittent vann er ikke riktig satt inn.	Sørg for at de to tetningspluggene er riktig satt inn.
		Vaskebrettet for moppen er ikke riktig installert.	Kontroller og sørg for at vaskebrettet for moppen er riktig installert.
		Underdelen på vaskebrettet for moppen blir skitten.	Ta ut underdelen til vaskebrettet for mopp, og vask den med vann.
		Kontroller om den flytende ballen setter seg fast når det ikke er vann i underdelen til vaskebrettet for moppen.	Ta ut vaskebrettet for moppen for å sette den flytende ballen på plass igjen.
		OMNI-stasjonen kan ikke tømme vann normalt.	Plasser DEEBOT i stasjonen. Etter å ha forsikret deg om at den lader, dobbeltrykker du på  . Hvis problemet vedvarer, kan du kontakte kundeservice for å få hjelp.
		Sugeåpningen på vaskebrettet for moppen er blokkert av fremmedlegemer.	Sørg for at det ikke er fremmedlegemer i sugeåpningen på vaskebrettet for moppen.
18	Feil på boks for skittent vann eller hyppig automatisk vask.	Boksen for skittent vann er overfylt med støv.	Ta ut og tøm boksen for skittent vann, skyll den og sett den på plass igjen. Hvis problemet vedvarer, kan du kontakte kundeservice for å få hjelp.
		Dryppbrettet er overfylt med støv.	Ta ut og tøm dryppbrettet, skyll det og sett det på plass igjen. Hvis problemet vedvarer, kan du kontakte kundeservice for å få hjelp.

TEKNISKE SPESIFIKASJONER

Modell	DEX62
Nominell inngang	20 V === 2 A
Ladetid	Ca. 3,5 timer
Stasjonsmodell	CH2497F
Nominell inngang	220–240 V ~ 50–60 Hz
Nominell utgang	20 V === 2 A
Nominell inngangsstrøm (lading)	0,5 A
Effekt (tømming)	650 W
Effekt (varmtvannsvaskemopp)	1650 W
Frekvensbånd	2400–2483,5 MHz
Standbyeffekt fra strømnnett	Mindre enn 2,00 W

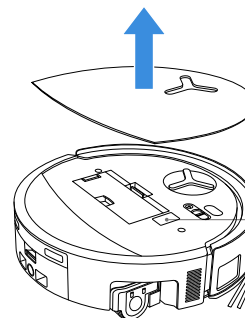
Utgangseffekten til den trådløse modulen er mindre enn 100 mW.

Basert på produktkrav (funksjonalitet og brukeropplevelse) bruker våre produkter en apparatarkitektur som ikke har ultralavt strømforbruk, så de har ikke av-modus eller standby-modus. Når maskinen er fulladet, går den inn i nettverksbasert standby-modus innen 20 minutter. Strømforbruket i nettverksbasert standby-modus er 1,9 W

Merk: Tekniske og designmessige spesifikasjoner kan endres for kontinuerlig produktforbedring. Utforsk mer tilbehør på <https://www.ecovacs.com>.

Få den fullstendige versjonen av brukerveiledningen

Bruk mobilkameraet til å skanne QR-koden og hente brukerveiledningen.



Bruk mobilkameraet til å skanne QR-koden og hente brukerveiledningen.

VIGTIGE SIKKERHEDSINSTRUKTIONER

VIGTIGE SIKKERHEDSINSTRUKTIONER

Når du bruger et elektrisk apparat, skal du altid følge de grundlæggende forholdsregler, herunder følgende:

LÆS ALLE INSTRUKTIONER, FØR DU BRUGER DETTE APPARAT GEM DISSE INSTRUKTIONER

1. Dette apparat kan bruges af børn fra 8 år og op efter og personer med nedsatte fysiske, sensoriske eller mentale evner eller manglende erfaring og viden, hvis de er blevet instrueret i eller overvåget med hensyn til sikker brug af apparatet og forstår de risici, der er forbundet hermed. Børn må ikke lege med apparatet. Rengøring og vedligeholdelse må ikke udføres af børn uden opsyn.
2. Ryd det område, der skal rengøres. Fjern elledninger og små genstande fra gulvet, som kan vikle sig ind i apparatet. Stik tæppets frynser ind under tæppets kant, og løft genstande som gardiner og duge op fra gulvet.
3. Hvis der er et fald i rengøringsområdet på

grund af et trin eller en trappe, skal du betjene apparatet for at sikre, at det kan registrere trinnet uden at falde ud over kanten. Det kan blive nødvendigt at placere en fysisk barriere ved kanten for at forhindre enheden i at falde ned. Kontrollér, at den fysiske barriere ikke udgør en snubelfare.

4. Må kun bruges som beskrevet i denne manual. Brug kun tilbehør, der anbefales eller sælges af producenten.
5. KUN til INDENDØRS BRUG i hjemmet. Brug ikke apparatet udendørs, i kommercielle eller industrielle miljøer.
6. Må ikke bruges uden støvbeholder og/eller filtre på plads.
7. Brug ikke apparatet i et område, hvor der er tændte stearinlys eller skrøbelige genstande.
8. Hold hår, løstsiddende tøj, fingre og alle dele af kroppen væk fra åbninger og bevægelige dele.
9. Brug ikke apparatet i et rum, hvor et spædbarn eller barn sover.
10. Må ikke bruges eller opbevares i ekstremt varme eller kolde omgivelser (under -5°C / 23°F eller over 40°C / 104°F). Oplad robotten ved en temperatur over 0°C / 32°F og under 40°C / 104°F .

11. Brug ikke apparatet på våde overflader eller overflader med stillestående vand.
12. Lad ikke apparatet opsamle store genstande såsom sten, store stykker papir eller andre genstande, der kan stoppe apparatet til.
13. Brug ikke apparatet til at opsamle brandfarlige eller brændbare materialer som f.eks. benzin, printer- eller kopitoner, og brug det ikke i områder, hvor de kan være til stede.
14. Brug ikke apparatet til at samle noget op, der brænder eller ryger, f.eks. cigaretter, tændstikker, varm aske eller andet, der kan forårsage brand.
15. Put ikke genstande ind i indsugningsindtaget. Må ikke bruges, hvis indsugningsindtaget er blokeret. Hold indtaget fri for støv, fnug, hår eller andet, der kan reducere luftgennemstrømningen.
16. Hvis elledningen er beskadiget, skal den udskiftes af producenten, eller dennes serviceagent for at undgå fare.
17. SLUK for strømafbryderen, før du rengør eller vedligeholder apparatet.
18. Den lithiumbatteritype, der er egnet til CH2497F, er maks. 4 celler, maks. nominel spænding DC 14,4 V, nominel kapacitet 5.800 mAh. Batteriet skal fjernes og bortskaffes i overensstemmelse med lokale love og regler, inden apparatet bortskaffes.
19. Bortskaf brugte batterier i henhold til lokale love og regler.
20. Apparatet må ikke brændes, heller ikke selv om det er alvorligt beskadiget. Batterierne kan eksplodere i en brand.
21. Apparatet skal bruges i overensstemmelse med anvisningerne i denne brugsanvisning. Ecovacs Home Service Robotics kan ikke holdes ansvarlig for skader, der er forårsaget af forkert brug.
22. Robotten indeholder batterier, som kun kan udskiftes af faglærte personer. Kontakt kundeservice for at udskifte robotens batteri.
23. Kontrollér, at strømforsyningsspændingen stemmer overens med den strømspænding, der er angivet på OMNI-stationen.
24. Brug kun det originale genopladelige batteri og den originale OMNI-station, der følger med apparatet fra producenten. Ikke-genopladelige batterier er forbudt.
25. Pas på ikke at beskadige elledningen. Undlad

- at trække i eller bære apparatet eller OMNI-stationen i elledningen, brug ikke elledningen som håndtag, luk ikke en dør på elledningen, og træk ikke elledningen rundt om skarpe kanter eller hjørner. Kør ikke apparatet over elledningen. Hold elledningen væk fra varme overflader.
26. Brug ikke OMNI-stationen, hvis den er beskadiget. Strømforsyningen må ikke repareres og må ikke længere bruges, hvis den er beskadiget eller defekt.
 27. Brug ikke med en beskadiget elledning eller stikkontakt. Brug ikke apparatet eller OMNI-stationen, hvis det ikke fungerer korrekt, er blevet tabt, beskadiget, efterladt udendørs eller kommet i kontakt med vand. Det skal repareres af producenten eller dennes serviceagent for at undgå farer.
 28. Stikket skal fjernes fra stikkontakten, før OMNI-stationen rengøres eller vedligeholdes.
 29. Fjern apparatet fra OMNI-stationen, og sluk på strømafbryderen til apparatet, før du fjerner batteriet for at bortskaffe apparatet.
 30. Når du ikke bruger OMNI-stationen i længere tid, skal du afbryde det fra stikkontakten.
 31. Hvis robotten ikke skal bruges i længere tid,

skal du slukke for robotten for at opbevare den og afbryde stikket til OMNI-stationen.

32. **ADVARSEL** – Hæld kun rent vand i rengøringsstanken.
33. **ADVARSEL:** Brug kun den aftagelige forsyningseenhed CH2497F, der følger med apparatet, til at genoplade batteriet.

For at opfylde kravene til RF-eksponering skal der holdes en afstand på 20 cm eller mere mellem denne enhed og personer under brug af enheden.




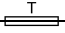
For at sikre overholdelse anbefales det ikke at arbejde tættere på end denne afstand. Den antenne, der bruges til denne sender, må ikke placeres sammen med nogen anden antenne eller sender.

Opdatering af enheden

Nogle enheder opdateres typisk hver anden måned, men det er ikke altid så specifikt.

Nogle enheder, især dem, der blev sat til salg for mere end tre år siden, vil kun blive opdateret, hvis der findes og rettes en kritisk sårbarhed.

For at kontrollere den aktuelle softwareversion og aktivere automatiske opdateringer skal du gå til Indstillinger > Robot Avancerede indstillinger > Om din robot > Opdatering i appen. Den aktuelle version vises der; tryk på Opdater for at åbne siden og vælg Automatisk opdatering for at aktivere den.

	Forsigtig: varm overflade
	Kortslutningssikker sikkerhedsisoleringstransformator
	Switch mode-strømforsyning
	Kun til indendørs brug
	Jævnstrøm
	Vekselstrøm
	Læs instruktionerne før opladning.
	Polaritet på opladningsporten
	Tidsforsinkende miniature-sikring

Fjernovervågningen er til absolut privat brug af ikke-offentlige, privatejede steder udelukkende med henblik på selvbeskyttelse og enkeltkontrol. Vær opmærksom på de lokale databeskyttelsesbaserede juridiske forpligtelser i tilfælde af brug. Ingen overvågning af offentlige steder, især ikke med hemmelige hensigter og/eller fra arbejdsgiverens side uden begrundelse. En sådan uberettiget brug sker udelukkende på brugerens eget ansvar og risiko.

EU-overensstemmelseserklæring

Oplysninger om bortskaffelse for brugere af affald af elektrisk og elektronisk udstyr



Dette symbol på produktet eller på dets emballage angiver, at brugte elektriske og elektroniske produkter ikke må blandes med usorteret kommunalt affald. For at sikre en korrekt behandling er det dit ansvar at bortskaffe dit affaldsudstyr ved at sørge for, at det afleveres på de udpegede indsamlingssteder. Korrekt bortskaffelse af dette produkt vil hjælpe med at spare værdifulde ressourcer og forhindre potentielle negative indvirkninger på menneskers sundhed og miljøet, som ellers kunne opstå som følge af u hensigtsmæssig affaldshåndtering.

Hvis du vil returnere din brugte enhed, skal du bruge returnerings- og indsamlingssystemerne eller kontakte den forhandler, hvor produktet blev købt, hvilket er gratis.

Der kan være bøder for ukorrekt bortskaffelse af dette affald i henhold til din nationale lovgivning.

Information om bortskaffelse for brugere af brugte batterier



Dette symbol betyder, at udtjente batterier og akkumulatører ikke må blandes med usorteret husholdningsaffald. Din deltagelse er en vigtig del af indsatsen for at minimere batteriers og akkumulatørers påvirkning af miljøet og menneskers sundhed. For korrekt genbrug kan du returnere dette produkt eller de batterier eller akkumulatører, det indeholder, til din leverandør eller til et udpeget indsamlingssted, hvilket er gratis.

Korrekt bortskaffelse af dette produkt vil hjælpe med at spare værdifulde ressourcer og forhindre potentielle negative indvirkninger på menneskers sundhed og miljøet, som ellers kunne opstå som følge af uhensigtsmæssig affaldshåndtering.

Der kan være bøder for ukorrekt bortskaffelse af dette affald i henhold til din nationale lovgivning.

Der er separate indsamlingssystemer for brugte batterier og akkumulatører.

Bortskaf venligst batterier og akkumulatører korrekt på din lokale affaldsindsamlings-/genbrugsstation.

Direktivet om begrænsning af anvendelsen af visse farlige stoffer (RoHS)

Ecovacs Home Service Robotics Co, Ltd. erklærer hermed, at hele produktet, herunder dele (kabler, ledninger osv.), opfylder kravene i RoHS-direktiv 2011/65/EU og ændring af Kommissionens delegerede direktiv (EU) 2015/863 om begrænsning af anvendelsen af visse farlige stoffer i elektrisk og elektronisk udstyr ("RoHS omarbejdning" eller "RoHS 2.0").

Direktiv om radioudstyr

Ecovacs Home Service Robotics Co, Ltd. erklærer hermed, at det produkt, der er anført i dette afsnit, overholder de væsentlige krav og andre relevante bestemmelser i Direktivet om radioudstyr 2014/53/EU.

Europa Autoriseret repræsentant:



ECOVACS Europe GmbH
Holzstrasse 2 | D-40221 Düsseldorf | Tyskland

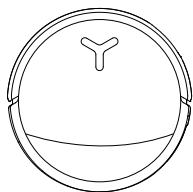
Ecovacs Home Service Robotics Co, Ltd. erklærer hermed, at produktet overholder de væsentlige krav og andre relevante bestemmelser i RoHS-direktivet 2011/65/EU og i bilaget til Kommissionens delegerede direktiv (EU) 2015/863, direktivet om radioudstyr 2014/53/EU.

Overensstemmelseserklæringen kan ses på følgende adresse:

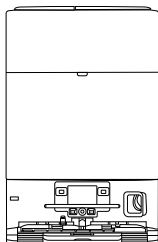
<https://www.ecovacs.com/global/compliance>

PAKKENS INDHOLD

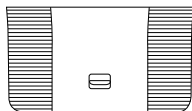
1 Pakkens indhold



DEEBOT



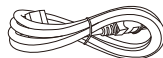
OMNI-station



Base



Brugsanvisning



Elledning

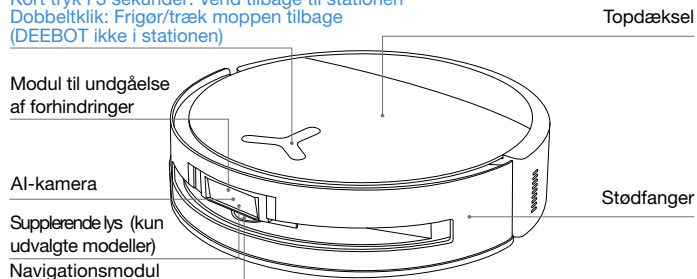
* Tallene i denne manual er kun vejledende og kan afvige fra apparatet. Produkt-design og specifikationer kan ændres uden varsel.

2 Produktdiagram

1. DEEBOT set forfra

Knapper på DEEBOT:

Tryk: Skift mellem Start/Pause/Fortsæt
Kort tryk i 3 sekunder: Vend tilbage til stationen
Dobbelklik: Frigør/træk moppen tilbage
(DEEBOT ikke i stationen)



2. DEEBOT set nedefra

Faldsensorer

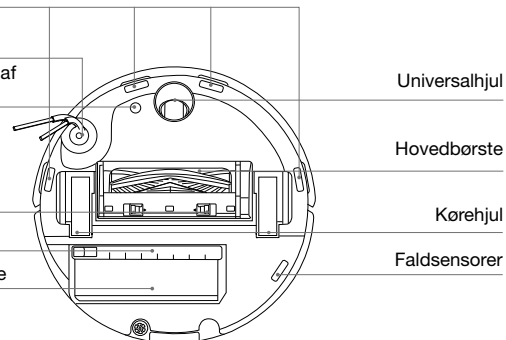
Sidebørste

Sensor til registrering af tæpper

Knap til frigivelse af børste

Drypbakke

Udskiftelig rullemppe

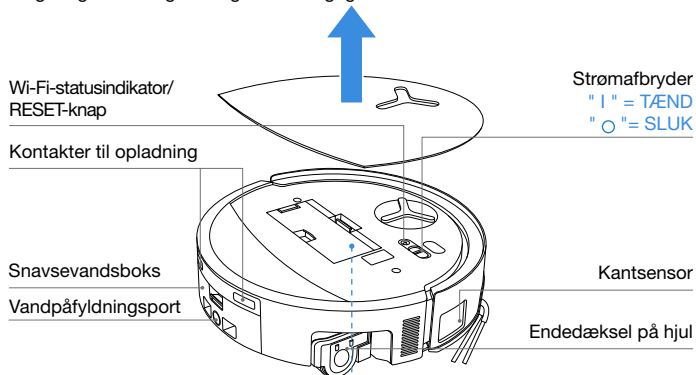


3. Inde i DEEBOT (under topdækslet)

RESET-knap

Netværksopsætning: Tryk på RESET-knappen og følg stemme-prompten for at opsætte netværket.

Gendan standardindstillinger: Tryk på RESET-knappen og hold den nede i 5 sekunder. Når du hører stemme-prompten, afspilles opstartsmusikken, og DEEBOT gendannes til standardindstillingerne. Nulstilling sletter de eksisterende kort- og rengøringsindstillinger. Brug med forsigtighed.



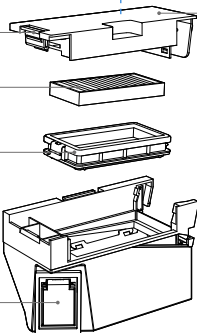
4. Støvbeholder

Filterlås

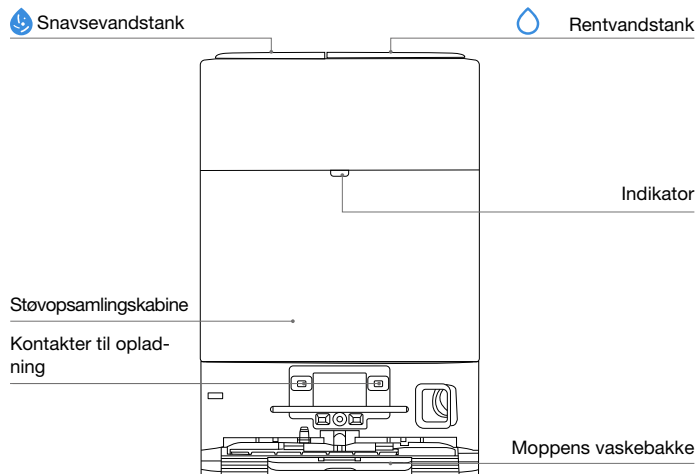
Filter

Filternet

Port til bortskaffelse af støv



5. OMNI-station

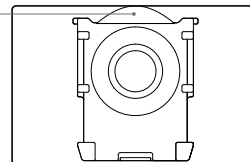


Bemærk:

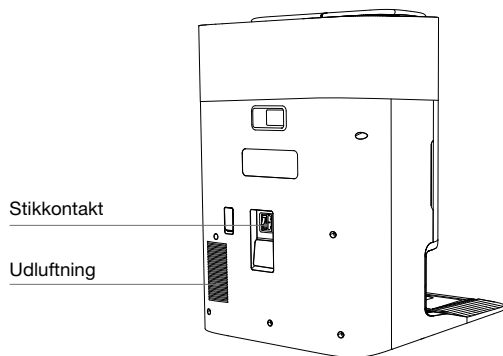
- Blinker rødt: Kontrollér ECOVACS HOME-appen for at finde årsagen.
- Hvis DEEBOT ikke kan oplades, skal du tørre kontakterne til opladning af med en ren og tør klud.

6. Støvpose

Støvposehåndtag



7. OMNI-station (bagside)



8. Indikatorlys

Indikator	Lyseffekt	Stat
DEEBOT	Pulserende hvid	Opladning
	Lyser uafbrudt hvidt	Fuldt opladet/Kører
	Ensfarvet rød	Lavt batteri
	Blinker rødt	Fejlfunktion
Station	Lyser uafbrudt hvidt	Standby/Kører
	Blinker rødt	Fejlfunktion
	Går ud	Strømafbrydelse/Dyb dvale-tilstand

9. Oversigt over sensorer

Navn	Funktionsbeskrivelse
Navigationsmodul	Laserafstandsmåling anvendes til at måle afstanden mellem DEEBOT og omgivende genstande baseret på tidsforskellen i refleksionen, hvilket gør det muligt for modulet at kortlægge genstandene omkring DEEBOT, mens den bevæger sig. Detektionsområdet er 10 m.
Modul til undgåelse af forhindringer	Infrarød afstandsmåling og lignende trekanten anvendes til at måle afstanden mellem de omgivende genstande og DEEBOT. Når sensoren registrerer en genstand i nærheden, drejer DEEBOT automatisk for at undgå at støde ind i genstanden. Detektionsområdet er 0,3 m.
Faldsensorer	Med infrarød afstandsmåling registreres afstanden mellem DEEBOT's underside og gulvet af de infrarøde sensorer i bunden. DEEBOT bevæger sig ikke fremad, når der er trapper foran (f.eks. når højden på den hvide overflade er 55 mm eller mere, eller højden på den sorte overflade er 30 mm eller mere), og den identificerede højde overstiger den forudindstillede højde, hvilket aktiverer faldbeskyttelsesfunktionen.
Sensor til registrering af tæpper	Sensoren udsender 300 kHz ultralyd, hvis energi absorberes af tæppet, hvilket medfører, at den reflekterede energi bliver lavere end tærskelværdien. DEEBOT registrerer dermed tæppets tilstedeværelse. I ECOVACS' laboratorie identificeres mere end 50 typer tæpper, der findes på markedet.
Anti-kollisionssensor	Med princippet for optokoblerkontakten undgår DEEBOT forhindringer, når de er ved at kollideres.
Kantsensor	Med infrarød afstandsmåling registrerer kantsensoren afstanden mellem DEEBOT og genstande på siden. Når der er en væg eller forhindringer til højre, udfører DEEBOT kantrensning for at undgå at overse steder og forhindre kollisioner.
AI-kamera	Brug AI-kameraer til at indsamle billeder af det omgivende miljø. Realisere videooptagelse. Gennem interaktion med MIC kan fjernvideoopkald realiseres (for nogle modeller).

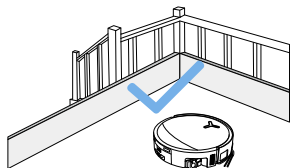
INDLEDENDE OPSÆTNING OG BRUG

1 Bemærkninger før rengøring



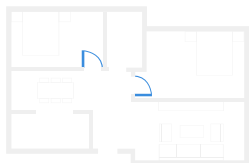
Ryd op i det område, der skal rengøres

For det størst mulige rengøringsområde skal du anbringe møbler, såsom borde, stole og gulvventilatorer, på deres rette plads og fjerne lavtliggende genstande, såsom vægte, inden du bruger DEEBOT.



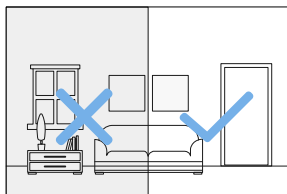
Undgå, at DEEBOT falder ned

Anbring en fysisk barriere ved kanten af et fald, såsom trapper og trin, for at forhindre DEEBOT i at falde over kanten.



Åbn døre og hjælp DEEBOT med at udforske

Åbn alle døre til rummene, så DEEBOT kan udforske hele dit hjem ved første brug.



Sørg for tilstrækkelig belysning

Sørg for, at alle rengøringsområder er godt oplyste, så DEEBOT's AI-kamera kan undvige forhindringer som sko, sokker og ledninger.



Fjern genstande, herunder ledninger, tøj og hjemmesko, fra gulvet for at forbedre rengøringseffektiviteten.



Inden du bruger produktet på et tæppe med frynser, skal du folde frynserne ind under tæppet.



Stå ikke i smalle rum, såsom gangarealer, for at undgå at blokere navigationsmodulet.



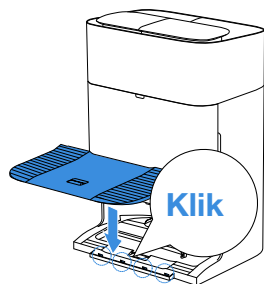
Sørg for, at DEEBOT's synsfelt er klart, og undgå at ridse eller smudse AI-kamerallinsen med fingeraftryk eller fedtpletter. Brug en ren, blød klud til at tørre kameraet af i stedet for rengøringsmidler, vaskemidler eller sprays.

2 Hurtig start

Fjern alt beskyttelsesmateriale inden brug.

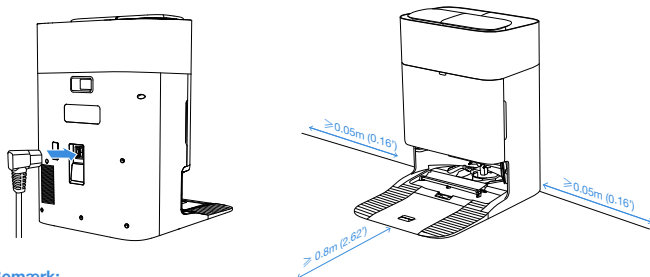
1. Installation

Et "klik" indikerer, at installationen er korrekt.



2. Saml og placer stationen

Anbring OMNI-stationen mod væggen på en flad, hård overflade. Anbring ikke genstande inden for 0,05 m på hver side og 0,8 m foran.



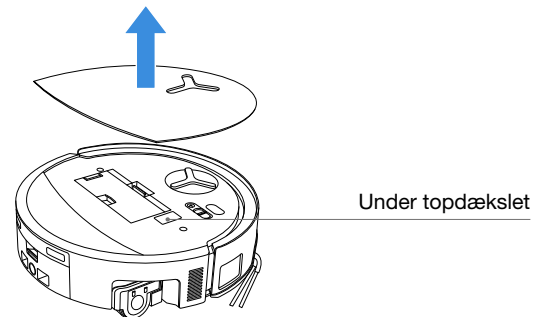
Bemærk:

- Hvis der er reflekterende genstande, såsom spejle og reflekterende fodlister i nærheden af stationen, skal de nederste 14 cm af sådanne genstande dækkes til.
- Anbring ikke stationen i direkte sollys eller i omgivelser med høje temperaturer.
- Anbring stationen et sted med et stærkt Wi-Fi-signal for at få en bedre brugeroplevelse.
- Brug ikke apparatet på våde overflader eller overflader med stillestående vand.
- Tør ikke DEEBOT og stationen af med en fugtig klud, og brug ikke væsker.

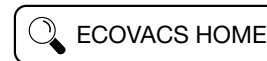
3 Download ECOVACS HOME APP

For at kunne benytte alle tilgængelige funktioner anbefales det, at du styrer din DEEBOT via ECOVACS HOME-appen.

Scan QR-koden under topdækslet for at downloade appen.


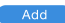


Eller søg efter "ECOVACS HOME" i App Store eller Google Play for at downloade appen.



Bemærk: Følg instruktionerne i appen for at gennemføre registrering, login og tilslutning.

4 Forbind DEEBOT med APP

Via Bluetooth: Tænd DEEBOT og Bluetooth på din mobiltelefon. Tillad appen at få adgang til mobiltelefonens Bluetooth. Tryk for at scanne QR-koden på DEEBOT, eller tryk på  eller  i appen for at finde den nærmeste DEEBOT.


Via Wi-Fi: Du kan også vælge at forbinde DEEBOT med appen på andre måder i henhold til vejledningen på appens side.

Bemærk: For en bedre oplevelse skal du oprette forbindelse via Bluetooth.

Krav til Wi-Fi-netværk:

- Du bruger et 2,4 GHz eller 2,4/5 GHz blandet netværk.
- Din router understøtter 802.11b/g/n og IPv4-protokollen.
- Brug ikke VPN (Virtual Private Network) eller proxyserver.
- Brug ikke et skjult netværk.
- WEP EAP (Enterprise Authentication Protocol) understøttes ikke.
- Brug Wi-Fi-kanalerne 1-11 i Nordamerika og kanalerne 1-13 uden for Nordamerika (se lokale tilsynsmyndigheder).
- Hvis du bruger en netværksforlænger/repeater, er netværksnavnet (SSID) og adgangskoden det samme som for dit primære netværk.
- Aktivér WPA2 på din router.

Wi-Fi-indikatorlys

	Langsomt blinkende hvidt lys	Afbrudt fra Wi-Fi
	Hurtigt blinkende hvidt lys	Forbinder
	Lyser uafbrudt hvidt	Forbundet til Wi-Fi

Vær opmærksom på, at intelligente funktioner såsom fjernstart, 2D/3D-kortvisning og kontrolindstillinger samt personlig rengøring (afhængigt af apparatet) kræver ECOVACS HOME-appen, som opdateres løbende. Du skal acceptere vores fortrolighedspolitik og brugeraftale, så vi kan behandle nogle af dine vigtige og nødvendige oplysninger, før du kan bruge visse funktioner i ECOVACS HOME-appen til at styre apparatet. Hvis du ikke er enig i vores fortrolighedspolitik og brugeraftale, vil disse funktioner ikke være tilgængelige. Du kan dog stadig bruge de grundlæggende funktioner på dette apparat til manuel betjening.

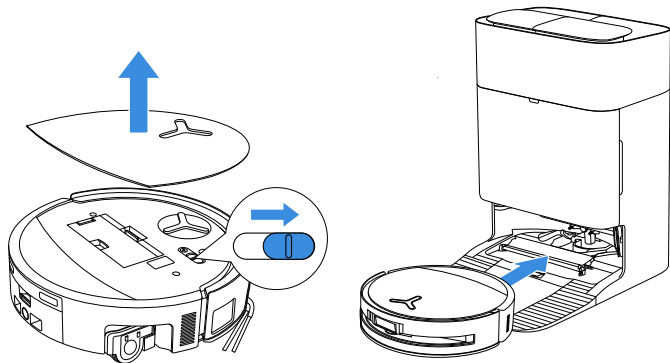
Oplysninger om netværksgrænseflade

Navn	Beskrivelse
Infrarød grænseflade	Den infrarøde grænseflade er som standard slået fra og aktiveres, når robotten er i ladestationen. Når DEEBOT er i ladestationen, kommunikerer den med ladestationen via det infrarøde interface.
Bluetooth	Aktivér Bluetooth for at forbinde robotten til netværket under netværksopsætningen. Bluetooth bruger GAP1800, GATT 1801, 8888-tjenesten til sikker konfiguration og dataudveksling.
Wi-Fi*	Gør dataoverførslen mellem appen og robotten lettere, så det er muligt at styre robotten via appen.
ECOVACS HOME App	ECOVACS-produkter tilbyder smarte funktioner såsom netværksopsætning, kortlægning og valg af rengøringstilstand (specifikt for hvert produkt). For at udnytte disse funktioner skal brugerne downloade og bruge den officielle ECOVACS Home-app.

* DEEBOT-seriens robotstøvsugere er beregnet til rengøring i hjemmet. Det er nødvendigt med et Wi-Fi-hjemmenetværk for driften, og anti-DDOS-beskyttelse skal konfigureres af brugerne via ruteindstillingerne.

5 Tænd og oplad DEEBOT

Tænd for strømafbryderen under DEEBOT's dæksel(" I " = TÆND, " O " = SLUK) ,og anbring DEEBOT foran stationen, der er tilsluttet strømforsyningen, og flyt derefter DEEBOT tilbage til stationen.

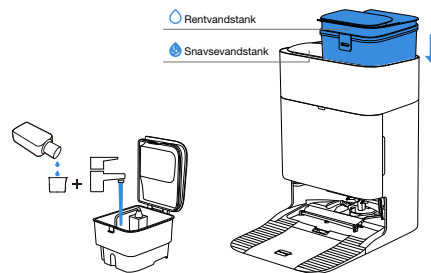


Bemærk:

- DEEBOT kan ikke oplades, når den er slukket.
- Efter rengøring anbefales det at lade DEEBOT være tændt og opladet, så den er klar til næste rengørings-session.
- Begynd rengøringen fra stationen. Flyt ikke stationen under rengøring.

6 Fyld rentvandstanken

Fyld rentvandstanken med rent vand. Tilsæt en passende mængde rengøringsopløsning med et fortyndingsforhold på 1:200 med kapslen. Fastgør tankdækslet, ryst forsigtigt for at blande indholdet, og brug produktet.



Bemærk:

- Når rentvandstanken er fuld (ca. 4 liter), tilsættes en kapsel rengøringsopløsning (ca. 20 ml).
- Tilsæt ikke varmt vand, da det kan forårsage deformation af vandtanken.
- Hvis der er resterende vandpletter på ydersiden af vandtanken, skal du tørre dem af med en blød, tør klud, inden du sætter den tilbage til brug.
- Tilsæt ikke andre rengøringsmidler end de officielle ECOVACS-løsninger, da det kan forårsage skade på produktet.
- Eventuelle vandpletter inde i vandtanken stammer fra fabrikstest. Brug med sikkerhed.

7 Betjen DEEBOT

1. Start kortlægning


Når du opretter et kort for første gang, skal du følge DEEBOT for at få hjælp til nogle mindre problemer.

DEEBOT kan f.eks. sætte sig fast under møbler. Se følgende løsninger:


- 1 Løft om muligt de lave møbler;
- 2 Tildæk bunden af møblerne.

2. Start rengøring


- DEEBOT's vandtank genopfyldes automatisk via stationen. Manuel genopfyldning er ikke nødvendig.
- Når DEEBOT mopper, genkender den gulvtyper og kan automatisk løfte rulle-moppen, når den støder på tæpper. Brug ikke DEEBOT på shaggy tæpper eller tæpper med fibre, der er længere end 10 mm. Det anbefales at folde shaggy tæpper med fibre, der er længere end 10 mm, sammen under rengøringsprocessen. Indstil en virtuel grænse i ECOVACS HOME-appen.

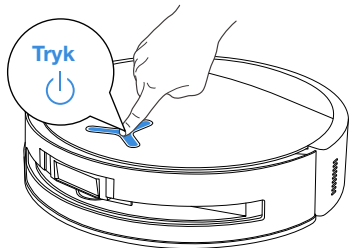
Sørg for, at DEEBOT er i stationen og er fuldt opladet før rengøring første gang. Tryk på  på DEEBOT for at starte. Du kan også bruge ECOVACS HOME-appen til at starte DEEBOT.

3. Pause


Tryk på  på DEEBOT for at sætte den på pause, mens den arbejder. Du kan også bruge ECOVACS HOME-appen til at sætte DEEBOT på pause.

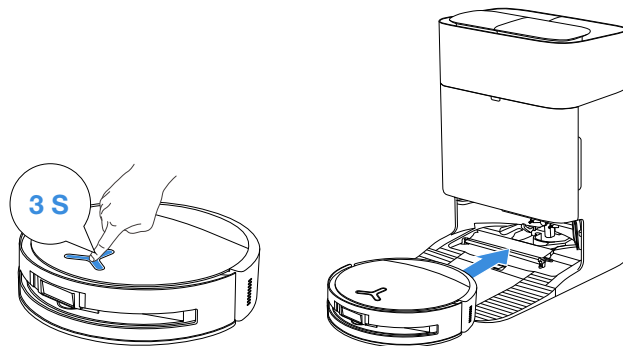
4. Vågn op

Efter en kort pause slukkes alle indikatorlamper på DEEBOT. For at vække DEEBOT skal du trykke kort på knappen "  " eller bruge ECOVACS HOME-appen.



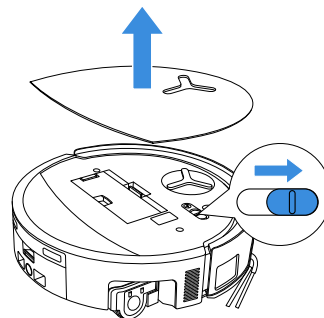
5. Tilbage til stationen

Brug ECOVACS HOME-appen til at kalde DEEBOT tilbage, eller tryk og hold DEEBOT-knappen "  " nede i 3 sekunder, så DEEBOT kan køre tilbage til opladningsstationen.



6. Dyb dvaletilstand

DEEBOT går i dyb dvaletilstand, hvis den forbliver uden for stationen i ca. 10 timer for at beskytte batteriet. Sluk og tænd for at vække DEEBOT. Hvis den ikke reagerer, skal du anbringe DEEBOT på docken for at oplade den.



REGELMÆSSIG VEDLIGEHOELDELSE

Vedligeholdelsesfrekvens

For at DEEBOT kan fortsætte med at yde en topræstation, skal du udføre vedligeholdelse og udskifte dele med følgende intervaller:

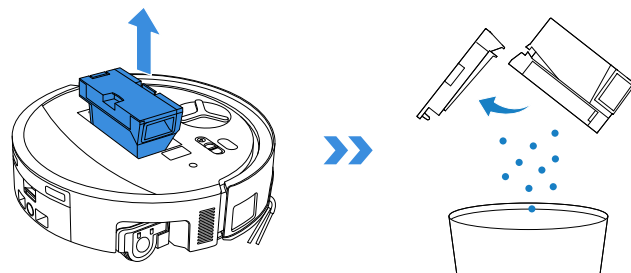
DEEBOT-del	Vedligeholdelsesfrekvens	Udskiftningshyppighed
Vaskbar rulleoppe	/	Hver 1. til 2. måned
Snavevandsboks	Hver uge	/
Drypbakke	Hver uge	/
Støvpose	/	Når appen beder om det
Sidebørste	Hver anden uge	Hver 3. til 6. måned
Hovedbørste	Hver uge	Hver 6. til 12. måned
Filter	Hver uge	Hver 3. til 6. måned
Universalhjul Faldsensorer Kantsensor Stødfanger Kontakter til opladning på DEEBOT Kontakter til opladning på OM-NI-stationen Navigationsmodul Modul til undgåelse af forhindringer AI-kamera	Ca. hver måned	/
Rentvandstank	Hver 3. måned	/
Snavevandstank	Hver måned	/
Støvopsamlingskabine	Hver måned	/
Stationens krop og bund	Hver måned	/
Moppens vaskebakke	Hver 5. måned	/

Se flere tilbehørsdele i ECOVACS HOME-appen eller på <https://www.ecovacs.com>

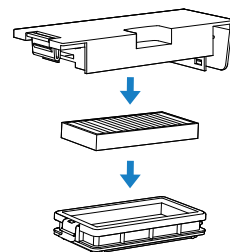
DEEBOT-vedligeholdelse

1 Vedligehold støvbeholder og filter

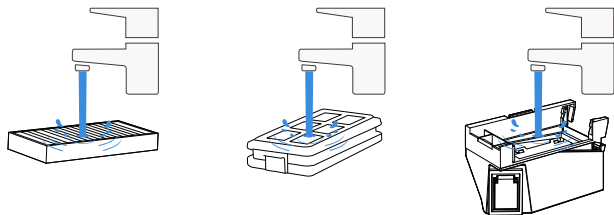
1. Tag støvbeholderen af og tøm den.



2. Åbn filternettet og fjern filteret.



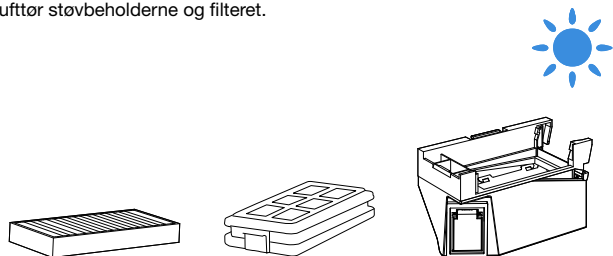
3. Skyl støvbeholderen og filteret med vand og ryst vanddråberne af.



Bemærk:

- Skyl filteret med vand som vist.
- Brug ikke fingrene eller en børste til at rengøre filteret.

4. Lufttør støvbeholderne og filteret.



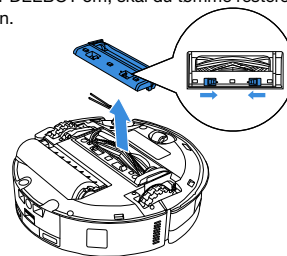
Bemærk: Tør støvbeholderens komponenter helt, inden de tages i brug.

2 Vedligehold hovedbørste og sidebørste

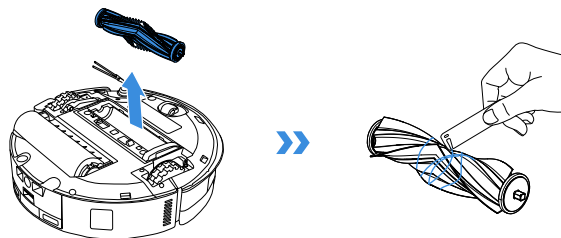
Rengør hovedbørsten

1. Fjern dækslet fra hovedbørsten.

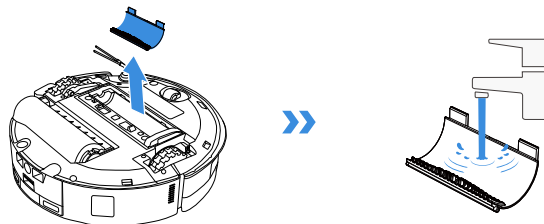
Bemærk: Før du vender DEEBOT om, skal du tømme resterende vand fra snavsevandstanken og drypbakken.



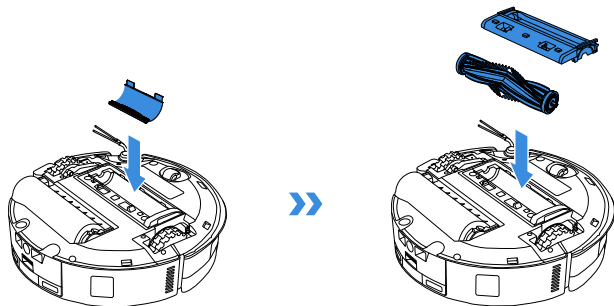
2. Fjern og rengør hovedbørsten.



3. Fjern, rengør og tør børstekammen.

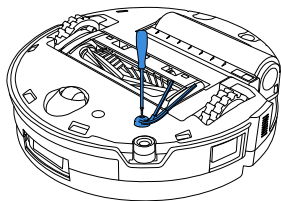


4. Monter børstekammen, hovedbørsten og dækslet.




Rengør sidebørsten

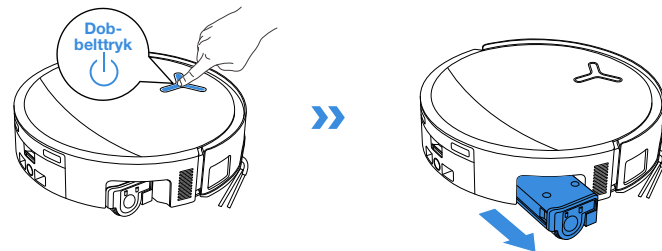
Tag sidebørsten ud med en skruetrækker og rengør den.



3 Vedligehold rullekort

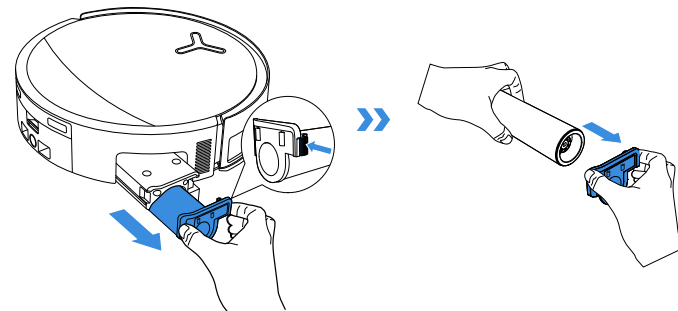
Rengør rullemoppen

1. Tryk to gange på knappen  for at frigøre rullemoppekompontenten.

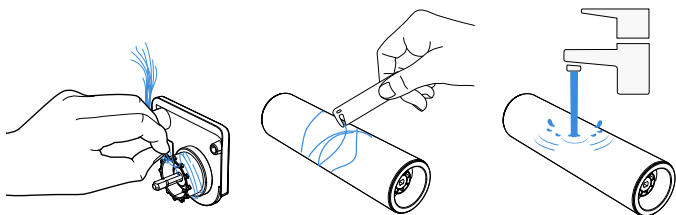


Bemærk: Træk ikke hårdt i rullen, mens den er trukket tilbage, da dette kan beskadige rullemoppens komponent.

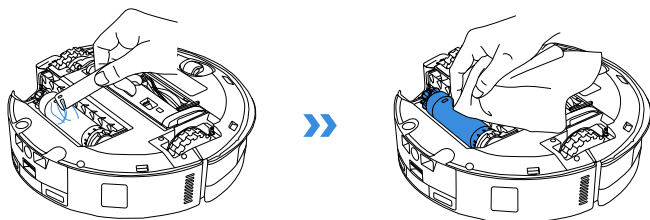
2. Tryk på den laterale låseknap for at fjerne rullen.




3. Rengør rullempopen.

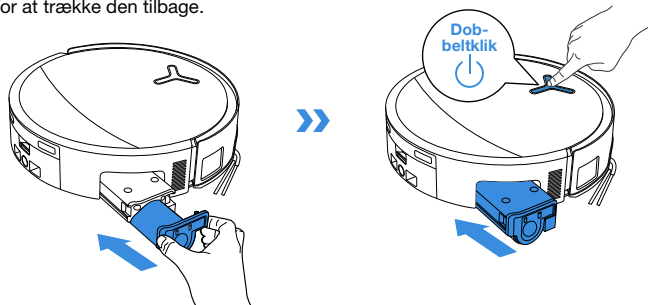


4. Rengør indersiden af rullen.



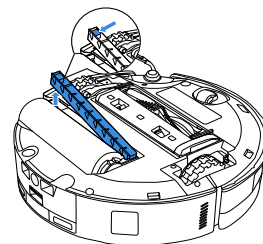
Bemærk: DEEBOT må ikke vaskes med vand.

5. Skub rullempopen ind i endedækslet på hjul, og tryk to gange på knappen  for at trække den tilbage.



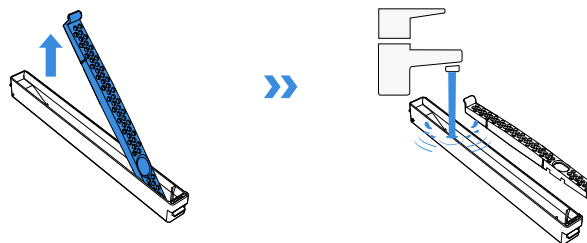
4 Vedligehold drypbakke

1. Tag drypbakken af.

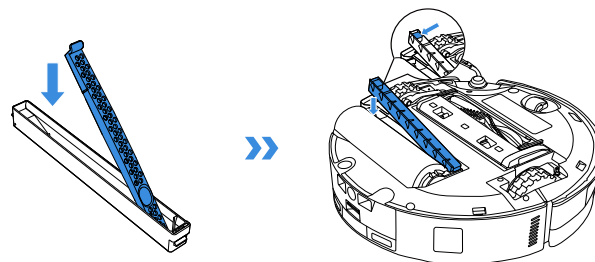


Bemærk: En lille mængde restvand kan lække ud, når DEEBOT vendes, hvis den ikke er i tørretilstand.

2. Fjern og rengør drypbakkens komponenter.

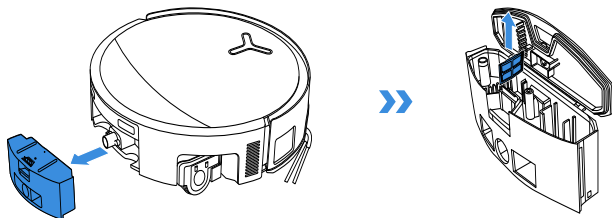


3. Installer drypbakkens filterkomponenter som vist på illustrationen.

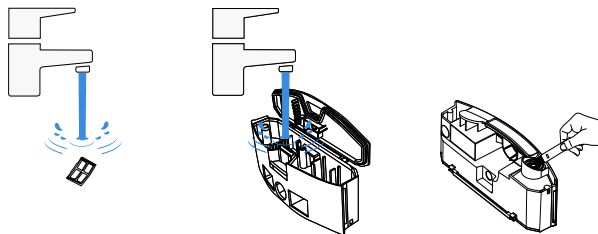


5 Vedligehold snavsevandsboks

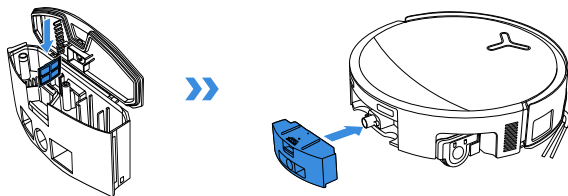
1. Fjern snavsevandsboksen og filternettet.



2. Rengør filternettet, boksen og spildevandsudløb.



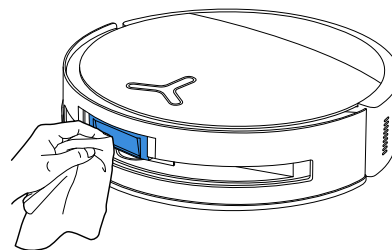
3. Genmonter filteret, tryk det fast, og sæt derefter dækslet til snavsevandsboksen på igen.



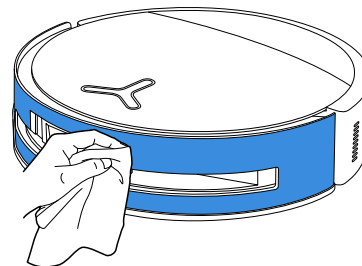
Tryk dækslet til snavsevandsboksen fast i den angivne retning, indtil det overside flugter helt med boksens øverste kant, for at sikre tæt forsegling.

6 Vedligeholdelse af andre komponenter

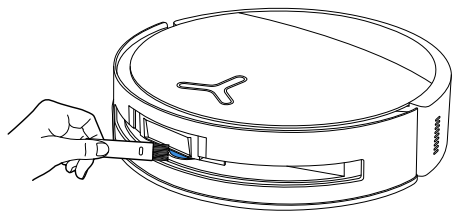
Rens objektivet til forhindringsundgåelsesmodulet



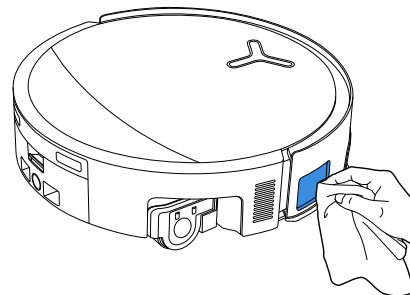
Rengør støddæmperen



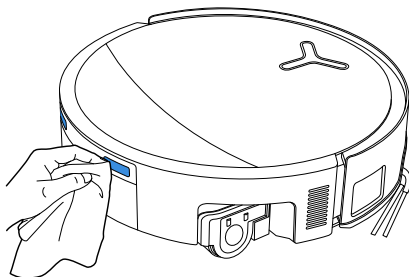
Rengør navigationsmodulet



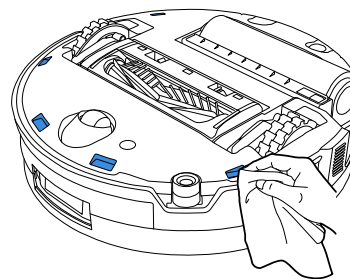
Rengør kantsensoren



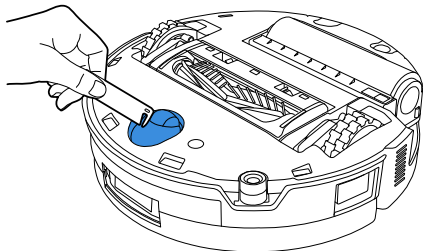
Rengør kontakterne til opladning



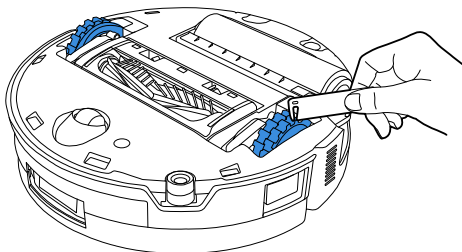
Rengør faldsensorerne



Rengør universalhjulet



Rengør kørehjulene



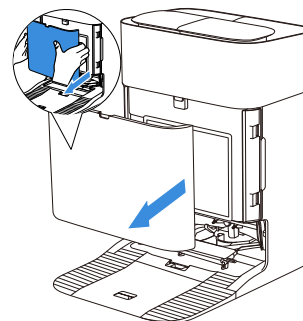
Bemærk:

- Se flere tilbehørsdele i ECOVACS HOME-appen eller på <https://www.ecovacs.com>.
- Tør komponenterne af med en ren, tør klud. Brug aldrig en våd klud. Brug ikke rengørings-spray eller rengøringsmidler.

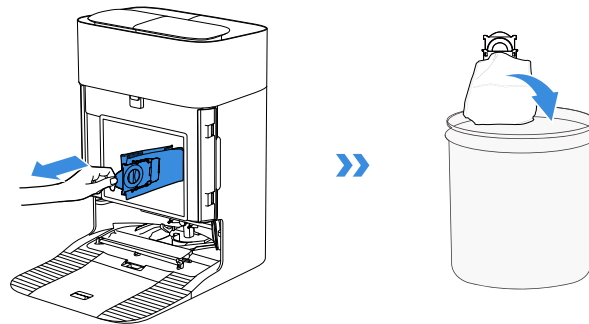
Vedligeholdelse af stationen

1 Vedligehold støvbeholder

1. Fjern støvopsamlingskabinets dæksel.

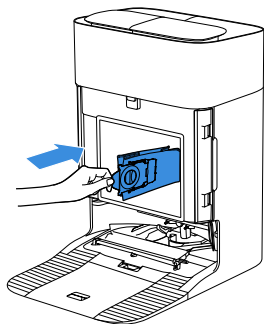


2. Fjern engangsstøvposen i pilens retning og bortskaf den.

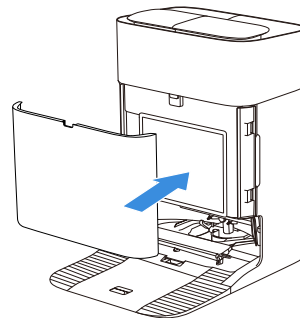


- Bemærk:** Hold fast i håndtaget for at løfte støvposen ud, hvilket effektivt kan forhindre støv i at lække ud.

3. Rengør støvopsamlingskabinen med en tør klud, og monter en ny støvpose.

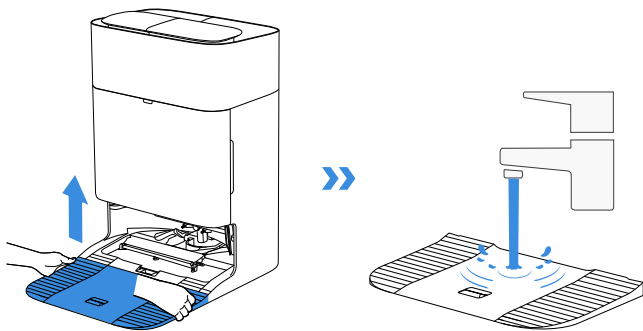


4. Indsæt den øverste lås på støvopsamlingskabinens dæksel i spalten, og tryk derefter nedad for at sikre korrekt tætning.

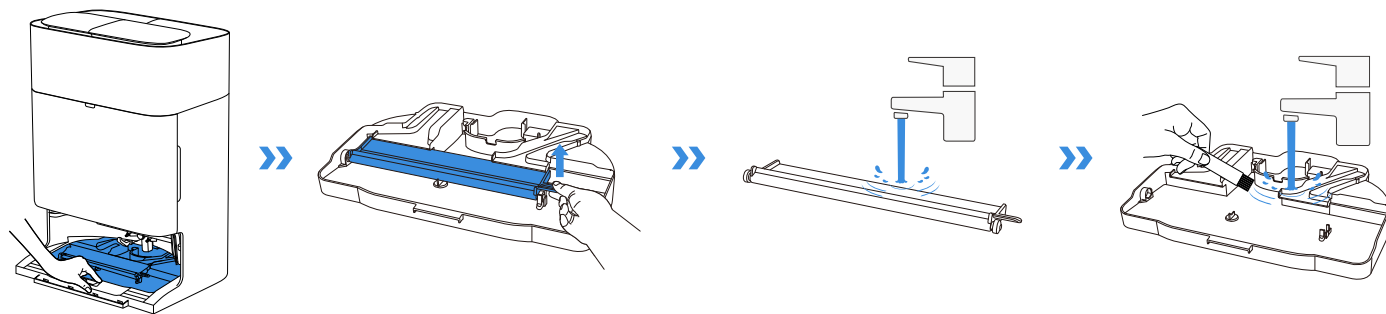


2 Vedligehold moppens vaskebakke

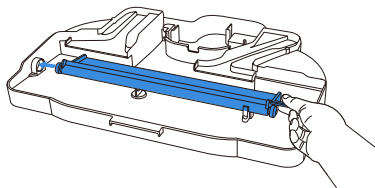
1. Fjern og rengør stationens base.



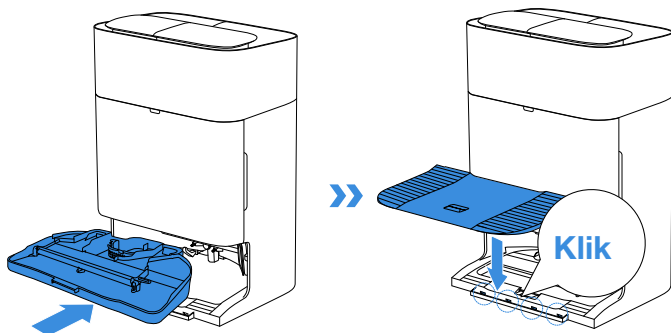
2. Fjern og rengør moppens vaskebakke og blødgøringsbakken.



3. Installer blødgøringsbakken.



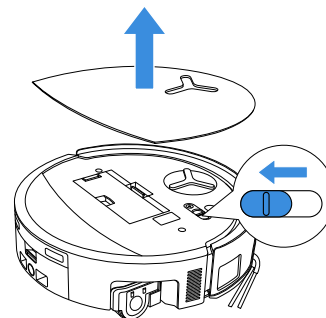
4. Monter moppens vaskebakke og basen.



Bemærk: Installer bakken og basen korrekt for at undgå funktionsfejl.

3 Opbevaring

Oplad DEEBOT helt og sluk den, inden den opbevares. Genoplad den hver 1,5 måned for at forhindre, at batteriet aflades for meget.



! Bemærk, at DEEBOT ikke kan oplades, når den er slukket.

Bemærk:

- Når DEEBOT har afsluttet sin rengøringsopgave, anbefales det ikke at slukke for den, men at lade den oplade, så den er klar til næste rengørings-session.
- Hvis batteriet er overopladet eller ikke har været brugt i længere tid, kan DEEBOT muligvis ikke oplades.


Kontakt ECOVACS for at få hjælp. Du må ikke selv adskille batteriet.

- Hvis du ikke bruger produktet i længere tid, skal du holde snavsandsboksen og vandbeholderne tomme, og moppen tør.

FEJLFINDING

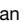
For følgende mulige problem, se de tilsvarende løsninger.

Nej.	Fejlfunktion	Mulig årsag	Løsning
1	DEEBOT kan ikke oprette forbindelse til ECOVACS HOME-appen.	Der er indtastet et forkert Wi-Fi-brugernavn eller en forkert adgangskode.	Indtast det korrekte Wi-Fi-brugernavn og adgangskode.
		DEEBOT er ikke inden for rækkevidde af dit hjemms Wi-Fi-signal.	Kontrollér, at DEEBOT er inden for rækkevidde af dit hjemms Wi-Fi-signal. Prøv at holde dig så tæt på routeren som muligt.
		DEEBOT er ikke i konfigurationsstatus.	Tryk på Reset-knappen for at forbinde DEEBOT til din telefon via Bluetooth. Hvis det mislykkes, skal du oprette forbindelse igen via ECOVACS HOME-appen.
		Der er ingen hjemme-Wi-Fi på Wi-Fi-listen.	1. Kontrollér, om Wi-Fi-navnet indeholder specialtegn. Brug ikke specialtegn som !@#& ¥%^\. 2. Brug ikke et 5 GHz-netværk.
		Der er installeret en forkert app.	Download og installer ECOVACS HOME-appen.
2	Kan ikke oprette møbelkortet i appen.	Hvis DEEBOT flyttes under rengøringen, kan det medføre, at kortet går tabt.	Flyt ikke DEEBOT under rengøringen.
		Automatisk rengøring er ikke færdig.	Kontrollér, at DEEBOT automatisk vender tilbage til OMNI-stationen efter rengøring.
		Flergulvstilstand var ikke aktiveret, da det andet kort blev oprettet.	Aktivér flergulvstilstand i appen.
3	Sidebørsten falder ud af sin plads under brug.	Sidebørsten er ikke monteret korrekt.	Når du monterer sidebørsten med en skruetrækker, skal du sikre dig, at skruen er strammet sikkert.
4	Intet signal fundet. Kan ikke vende tilbage til stationen.	OMNI-stationen er anbragt forkert.	Anbring stationen korrekt i henhold til instruktionerne i afsnittet 【Tænd og oplad DEEBOT】 .
		OMNI-stationen har ikke strøm eller er blevet flyttet.	Kontrollér, om OMNI-stationen er tilsluttet strømforsyningen. Flyt ikke OMNI-stationen.
		DEEBOT starter ikke rengøringen fra OMNI-stationen.	Det anbefales, at DEEBOT starter rengøringen fra OMNI-stationen.
		Dockingruten er blokeret. For eksempel er døren lukket til det rum, hvor OMNI-stationen er placeret.	Hold opladningsruten fri.

Nej.	Fejlfunktion	Mulig årsag	Løsning
5	DEEBOT vender tilbage til OMNI-stationen, før den er færdig med rengøringen.	Rummet er så stort, at DEEBOT skal vende tilbage for at genoplade.	Aktivér Genoptag automatisk tilstand. For flere detaljer, følg instruktionerne i appen.
		I meget komplekse boligindretninger kan rengørings-effektiviteten falde, hvilket kan resultere i ufuldstændig rengøring.	Gør boligindretningen enkel.
6	DEEBOT kan ikke oplades.	DEEBOT er ikke tændt.	Tænd DEEBOT.
		DEEBOT's kontakter til opladning er ikke tilsluttet OMNI-stationens kontakter til opladning.	Sørg for, at DEEBOT's kontakter til opladning er tilsluttet stationens kontakter til opladning, og at  blinker. Kontrollér, om DEEBOT's og OMNI-stationens kontakter til opladning er snavsede. Rengør disse dele i henhold til anvisningerne i afsnittet [REGELMÆSSIG VEDLIGEHOLDELSE] .
		OMNI-stationen er ikke tilsluttet strømforsyningen.	1. Kontrollér, at OMNI-stationen er tilsluttet strømforsyningen. 2. Når strømmen er tilsluttet, skal du kontrollere, at motorens startlyd kan høres.
		Basen er ikke blevet installeret på plads.	Se afsnittet [Hurtig start] for korrekt installation.
7	DEEBOT er meget støjende under rengøring.	Hovedbørsten/sidebørsten er viklet ind, eller støvbeholderen/filteret er tilstoppet.	Det anbefales at rengøre hovedbørsten, sidebørsten, støvbeholderen, rullempopen, filteret osv. regelmæssigt.
		DEEBOT er i stærk sugetilstand eller maksimal sugerkrafttilstand.	Skift til standardtilstand.
8	DEEBOT sidder fast under arbejdet og stopper.	DEEBOT er viklet ind i genstande på gulvet (elledninger, gardiner, tæppekanter osv.).	DEEBOT vil selv forsøge at komme fri på forskellige måder. Hvis det ikke lykkes, skal du manuelt fjerne forhindringerne og genstarte.
		DEEBOT kan sidde fast under møbler med en passage af samme højde.	Løft møblerne, opsæt en fysisk barriere eller indstil en virtuel grænse via ECOVACS HOME-appen.
		DEEBOT sidder fast i et smalt område.	Ryd op i dit hjem, opsæt en fysisk barriere eller indstil en virtuel grænse via ECOVACS HOME-appen.

Nej.	Fejlfunktion	Mulig årsag	Løsning
9	Under rengøringen kan DEEBOT støde på problemer som en uordnet rute, skæv bevægelse, gentagen rengøring af de samme steder og manglende små områder. (Hvis der er et stort område, der ikke er blevet rengjort midlertidigt, vil DEEBOT automatisk rengøre det oversete område. Nogle gange vil DEEBOT komme ind i et rengjort rum, hvilket ikke nødvendigvis er gentagen rengøring, men DEEBOT finder ethvert overset område.)	Genstande som ledninger og hjemmesko, der ligger på gulvet, blokerer DEEBOT.	Før rengøring skal du rydde op i spredte ledninger, hjemmesko og andre genstande på gulvet så meget som muligt. Hvis der er et område, der er blevet overset under rengøringen, vil DEEBOT automatisk rette op på det. Undlad at gribe ind (f.eks. flytte DEEBOT eller blokere dens rute).
		Kørehjulene kan glide på gulvet, når DEEBOT klatrer op ad trin, tærskler og dørstænger, hvilket kan påvirke dens vurdering af hele hjemmemiljøet.	Det anbefales at lukke døren til det berørte område og rengøre det separat. Efter rengøringen vender DEEBOT tilbage til sin startposition.
		På nyvoksede eller bonede gulve samt glatte fliser kan der være mindre friktion mellem kørehjulene og gulvet.	Vent, til voksen er tørret, før du rengør.
		På grund af variationer i boligindretningen kan DEEBOT ikke komme ind i visse områder.	Ryd op i dit hjem for at sikre, at DEEBOT kan komme ind på de områder, der skal rengøres.
10	Forsinkelse i fjernbetjeningen.	Wi-Fi-signalet er dårligt, hvilket gør, at videoen indlæses langsomt.	Brug DEEBOT i områder med et godt Wi-Fi-signal.
11	Efter at være vendt tilbage til OMNI-stationen tømmer DEEBOT ikke sin støvbeholder.	Funktionen Automatisk tømning er ikke aktiveret i ECOVACS HOME-appen.	Aktivér funktionen Automatisk tømning i ECOVACS HOME-appen.
		Hvis du manuelt flytter DEEBOT tilbage til stationen, udløses funktionen Automatisk tømning ikke.	Det anbefales at lade DEEBOT vende tilbage til OMNI-stationen af sig selv. Flyt den ikke manuelt.
		I tilstanden "Forstyr ikke" tømmer DEEBOT ikke støvet, når den vender tilbage til OMNI-stationen.	Sluk for "Forstyr ikke" i ECOVACS HOME-appen, eller start støvtømningen manuelt.
		Stationen registrerer et fald i tømningseffektiviteten.	Udskift støvposen i henhold til afsnittet [REGELMÆSSIG VEDLIGEHOLDELSE] og luk støvopsamlingskabinen. Hvis støvposen ikke er fuld, når appen beder dig om det, kan du sætte den tilbage igen.
		Kontrollér, om støvbeholderen er fuld og forårsager tilstopning.	Rengør støvbeholderen i henhold til afsnittet [REGELMÆSSIG VEDLIGEHOLDELSE] .
		Hvis ovenstående mulige årsager er blevet udelukket, kan komponenterne i stationen være defekte.	Kontakt kundeservice for at få hjælp.

Nej.	Fejlfunktion	Mulig årsag	Løsning
12	Automatisk tømning mislykkedes.	Stationen registrerer et fald i tømningseffektiviteten.	Udskift støvposen i henhold til afsnittet [REGELMÆSSIG VEDLIGEHOLDELSE] og luk støvopsamlingskabinen. Hvis støvposen ikke er fuld, når appen beder dig om det, kan du sætte den tilbage igen.
		Udløbet fra støvbeholderen er blokeret af fremmedlegemer.	Fjern støvbeholderen og fjern fremmedlegemer fra udløbet.
13	Indersiden af støvopsamlingskabinen er snavset.	Fine partikler passerer gennem støvposen og samler sig på indersiden af støvopsamlingskabinen.	Rengør indersiden af støvopsamlingskabinen.
		Støvposen er ødelagt.	Kontrollér og udskift støvposen.
		Støvposen er ikke isat korrekt.	Sørg for at sætte støvposen korrekt i.
		Støvopsamlingskabinens dæksel er ikke lukket.	Kontrollér, om støvopsamlingskabinens dæksel er lukket korrekt.
14	Der forekommer udslip af støv, mens DEEBOT er i brug.	Udløbet fra støvbeholderen er blokeret af fremmedlegemer.	Fjern støvbeholderen og fjern fremmedlegemer fra udløbet.
15	Rullemoppen roterer ikke.	Rullemoppen er ikke monteret korrekt.	Monter rullemoppen korrekt i henhold til afsnittet [REGELMÆSSIG VEDLIGEHOLDELSE] .
		Rullemoppen er blokeret af fremmedlegemer.	Rengør og monter rullemoppen korrekt i henhold til afsnittet [REGELMÆSSIG VEDLIGEHOLDELSE] .
16	Kørehjulet sidder fast.	Kørehjulet er viklet ind eller sidder fast på grund af fremmedlegemer.	Drej og tryk på kørehjulet for at kontrollere, om der er fremmedlegemer, der har viklet sig fast eller blokerer. Hvis der findes fremmedlegemer, skal du straks fjerne dem. Hvis problemet fortsætter, bedes du kontakte kundeservice for at få hjælp.

Nej.	Fejlfunktion	Mulig årsag	Løsning
17	Moppens vaskebakke er fuld af vand og kan ikke tømmes. En stemme-prompt meddeler, at moppens vaskebakke ikke fungerer korrekt.	Snavsevandstanken er ikke monteret korrekt.	Tryk ned på snavsevandstanken for at sikre, at den er korrekt monteret.
		Tætningspropperne i snavsevandstanken er ikke monteret korrekt.	Kontrollér, at de to tætningspropper er korrekt monteret.
		Moppens vaskebakke er ikke monteret korrekt.	Kontrollér og sørg for, at moppens vaskebakke er korrekt monteret.
		Basen på moppens vaskebakke bliver snavset.	Adskil og vask moppens vaskebakke med vand.
		Kontrollér, om den flydende kugle sidder fast, når der ikke er vand i moppens vaskebakke.	Tag moppens vaskebakke ud for at sætte den flydende kugle på plads igen.
		OMNI-stationen kan ikke tømme vand normalt.	Anbring DEEBOT i stationen. Når du har sikret dig, at den oplader, skal du dobbelttrykke på  . Hvis problemet fortsætter, bedes du kontakte kundeservice for at få hjælp.
		Sugeåbningen på moppens vaskebakke er blokeret af fremmedlegemer.	Sørg for, at der ikke er fremmedlegemer i sugeåbningen på moppens vaskebakke.
		Stemmealarmen fortsætter, selv efter at alle ovenstående løsninger er afprøvet.	Sluk og tænd for stationen. Hvis problemet fortsætter, bedes du kontakte kundeservice for at få hjælp.
18	Fejl i snavsevandsboksen eller hyppig automatisk vask.	Snavsevandsboksen er overfyldt med støv.	Fjern og tøm snavsevandsbeholderen, skyl den og sæt den på plads igen. Hvis problemet fortsætter, bedes du kontakte kundeservice for at få hjælp.
		Drypbakken er overfyldt med støv.	Fjern og tøm drypbakken, skyl den og sæt den på plads igen. Hvis problemet fortsætter, bedes du kontakte kundeservice for at få hjælp.

TEKNISKE SPECIFIKATIONER

Model	DEX62
Nominelle indgangseffekt	20V === 2A
Opladningstid	Ca. 3,5 time
Stationsmodel	CH2497F
Nominelle indgangseffekt	220-240 V ~ 50-60 Hz
Nominelle udgangseffekt	20V === 2A
Nominel indgangseffekt (opladning)	0,5A
Effekt (tømning)	650W
Effekt (vaskemoppe til varmt vand)	1650W
Frekvensbånd	2400-2483,5 MHz
Netværksbaseret standby-strøm	Mindre end 2,00 W

Det trådløse moduls udgangseffekt er under 100 mW.

Baseret på produktkrav (funktionalitet og brugeroplevelse) bruger vores produkter en ikke-ultra-lav strømforbrugende apparataritektur, så der er ingen slukket tilstand og ingen standbytilstand. Når maskinen er fuldt opladet, går den i netværksstandbytilstand inden for 20 minutter.

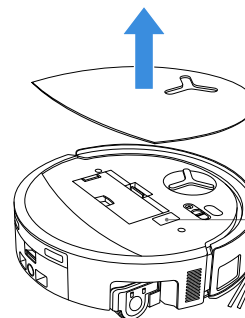
Strømforbruget i netværksstandby er 1,9 W

Bemærk: Tekniske og designmæssige specifikationer kan ændres med henblik på løbende produktforbedringer.

Udforsk mere tilbehør på <https://www.ecovacs.com>.

Hent den fulde version af brugervejledningen

Brug mobilens kamera til at scanne QR-koden og hente brugervejledningen.



Brug mobilens kamera til at scanne QR-koden og hente brugervejledningen.

TÄRKEITÄ TURVALLISUUSOHJEITA

TÄRKEITÄ TURVALLISUUSOHJEITA

Sähkölaitteita käytettäessä on aina noudatettava perusvarotoimia, mukaan lukien seuraavat varotoimet:

LUE KAIKKI OHJEET ENNEN LAITTEEN KÄYTTÖÄ SÄILYÄ NÄMÄ OHJEET

1. Tätä laitetta voivat käyttää 8-vuotiaat ja sitä vanhemmat lapset sekä henkilöt, joilla on fyysisiä, aistillisia tai henkisiä rajoitteita tai joilla on puutteellinen kokemus ja tietämys, jos heille on annettu valvontaa tai ohjeita laitteen turvallisesta käytöstä ja he ymmärtävät siihen liittyvät vaarat. Lapset eivät saa leikkiä laitteella. Lapset eivät saa suorittaa puhdistusta ja käyttäjän huoltoa ilman valvontaa.
2. Tyhjennä puhdistettava alue. Poista lattialta virtajohdot ja pienet esineet, jotka voivat sotkeutua laitteeseen. Työnnä maton reunat maton pohjan alle ja nosta verhot, pöytälinat yms. pois lattialta.
3. Jos puhdistettavalla alueella on pudotus as-

kelman tai portaiden vuoksi, varmista ohjaamalla laitetta, että laite pystyy tunnistamaan askelman eikä putoa reunan yli. Reunalle on ehkä asetettava fyysinen este, jotta laite ei pääse putoamaan. Varmista, ettei fyysinen este aiheuta kompastumisvaaraa.

4. Käytä laitetta vain tässä oppaassa kuvatulla tavalla. Käytä vain valmistajan suosittelemia tai myymiä lisävarusteita.
5. Vain sisäkäyttöön. Älä käytä laitetta ulkona tai kaupallisissa tai teollisissa ympäristöissä.
6. Älä käytä laitetta ilman pölysäiliötä ja/tai suodattimia.
7. Älä käytä laitetta alueella, jossa on palavia kynttilöitä tai herkästi särkyviä esineitä.
8. Pidä hiukset, löysät vaatteet, sormet ja kaikki vartalon osat etäällä laitteen aukoista ja liikkuvista osista.
9. Älä käytä laitetta huoneessa, jossa vauva tai lapsi nukkuu.
10. Älä käytä tai säilytä erittäin kuumissa tai kylmissä ympäristöissä (alle -5°C tai yli 40°C). Lataa robotti lämpötilassa, joka on yli 0°C ja alle 40°C .
11. Älä käytä laitetta märillä pinnoilla tai pinnoilla,

- joilla on seisovaa vettä.
12. Älä anna laitteen kerätä suuria esineitä, kuten kiviä, suuria paperinpaloja tai muita esineitä, jotka voivat tukkia laitteen.
 13. Älä kerää laitteella syttyviä tai palavia materiaaleja, kuten bensiiniä tai tulostimen tai kopiokoneen väriainetta, äläkä käytä laitetta alueilla, joilla voi olla tällaisia aineita.
 14. Älä kerää laitteella mitään palavaa tai savuaavaa materiaalia, kuten savukkeita, tulitikkuja, kuumaa tuhkaa tai muuta, joka voi aiheuttaa tulipalon.
 15. Älä työnnä mitään esineitä imuaukkoon. Älä käytä laitetta, jos imuaukko on tukossa. Pidä imuaukko puhtaana pölystä, nukasta, hiuksista ja muusta, joka voi heikentää ilman virtausta.
 16. Jos virtajohto on vaurioitunut, valmistajan tai sen huoltoedustajan on vaihdettava se vaaran välttämiseksi.
 17. Kytke virtakytkin pois päältä ennen laitteen puhdistamista tai huoltamista.
 18. CH2497F-laitteeseen sopivassa litiumakussa on enintään 4 kennoa, nimellisjännite enintään 14,4 V DC, nimelliskapasiteetti 5 800 mAh. Akku tulee poistaa ja hävittää paikallisten lakien ja määräysten mukaisesti ennen laitteen hävittämistä.
 19. Hävitä käytetyt akut paikallisten lakien ja säästöjen mukaisesti.
 20. Älä polta laitetta, vaikka se olisi vakavasti vaurioitunut. Akut voivat räjähtää poltettaessa.
 21. Laitetta on käytettävä tässä käyttöoppaassa annettujen ohjeiden mukaisesti. Ecovacs Home Service Robotics ei ole vastuussa mistään vahingoista tai vammoista, jotka ovat seurausta epäasianmukaisesta käytöstä.
 22. Robotissa on akut, joiden vaihtaminen on sallittua vain ammattitaitoisille henkilöille. Jos robotin akku on vaihdettava, ota yhteyttä asiakaspalveluun.
 23. Varmista, että virransyöttöjännite vastaa OMNI-asemaan merkittyä jännitettä.
 24. Käytä vain valmistajan laitteen mukana toimitamaa alkuperäistä akkua ja OMNI-asemaa. Ei-ladattavien paristojen käyttö on kielletty.
 25. Älä vahingoita virtajohtoa. Älä vedä tai kannalaitetta tai OMNI-asemaa virtajohdosta, käytä virtajohtoa kahvana, sulje ovea niin, että virtajohto jää väliin, tai vedä virtajohtoa terävien reunojen tai kulmien yli. Älä aja laitteella virtajohdon yli.

- Pidä virtajohto etäällä kuumista pinnoista.
26. Älä käytä OMNI-asemaa, jos se on vaurioitunut. Virransyöttöä ei saa korjata eikä käyttäenää, jos se on vaurioitunut tai viallinen.
 27. Älä käytä laitetta, jos virtajohto tai pistorasia on vaurioitunut. Älä käytä laitetta tai OMNI-asemaa, jos se ei toimi kunnolla, on pudonnut, vaurioitunut, jätetty ulos tai joutunut kosketuksiin veden kanssa. Vaarojen välttämiseksi valmistajan tai sen huoltoliikkeen tulee korjata laite.
 28. Pistoke täytyy irrottaa pistorasiasta ennen OMNI-asemaa puhdistamista tai huoltamista.
 29. Irrota laite OMNI-asemasta ja katkaise virta laitteen virtakytkimestä, ennen kuin irrotat akun laitteen hävittämistä varten.
 30. Jos OMNI-asemaa ei käytetä pitkään aikaan, irrota se pistorasiasta.
 31. Jos robottia ei käytetä pitkään aikaan, katkaise robotin virta varastointia varten ja irrota OMNI-asema pistorasiasta.
 32. VAROITUS – Lisää vain puhdasta vettä puhtaaseen säiliöön.
 33. **VAROITUS:** Käytä akun lataamiseen vain laitteen mukana toimitettua irrotettavaa virtaläh-

dettä CH2497F.

Jotta radiotaajuiselle säteilylle altistumista koskevat vaatimukset täyttyisivät, laitteen on oltava käytön aikana vähintään 20 cm:n etäisyydellä ihmisistä.

Vaatimustenmukaisuuden varmistamiseksi laitetta ei saa käyttää tätä lähempänä. Tämän lähettimen antennia ei saa sijoittaa minkään muun antennin tai lähettimen yhteyteen.

Laitteen päivittäminen

Jotkin laitteet päivitetään tavallisesti puolivuositain, mutta tätä ei aina noudateta tarkasti.

Jotkin laitteet, erityisesti yli kolme vuotta sitten myyntiin tulleet laitteet, päivitetään vain, jos kriittinen haavoittuvuus on havaittu ja korjattu.

Voit tarkistaa nykyisen ohjelmistoversion ja ottaa automaattiset päivitykset käyttöön valitsemalla soveluksesta Asetukset > Robotin lisäasetukset > Tietoja robotistasi > Päivitä. Nykyinen versio näytetään siellä; siirry sivulla napauttamalla Päivitä ja valitse Automaattinen päivitys ottaaksesi sen käyttöön.

	Varoitus: kuuma pinta
	Oikosulkusuojattu suojaerotusmuuntaja
	Hakurivirtalähde
	Vain sisäkäyttöön
	Tasavirta
	Vaihtovirta
	Lue ohjeet ennen lataamista.
	Latausliitännän napaisuus
	Hidas miniatyyrisulake

Etävalvonta on tarkoitettu käytettäväksi vain yksityisesti ei-julkisissa, yksityishenkilöiden omistamissa paikoissa itsesuojeluun ja yksittäisen laitteen ohjaamiseen. Selvitä käytätapaa koskevat paikalliset tietosuojaan liittyvät oikeudelliset velvoitteet. Valvontaa ei saa tehdä julkisissa tiloissa, erityisesti jos kyseessä on salaa ja/tai työnantajan toimesta ilman perusteltua syytä tapahtuva valvonta. Tällainen perusteeton käyttö tapahtuu käyttäjän omalla vastuulla ja riskillä.

Euroopan unionin vaatimustenmukaisuusvakuutus

Tietoa sähkö- ja elektroniikkalaiteromun käyttäjille hävittämisestä



Tämä tuotteessa tai sen pakkauksessa oleva symboli osoittaa, että käytettyjä sähkö- ja elektroniikkatuotteita ei saa hävittää lajittelemattoman yhdyskuntajätteen seassa. Jotta jätteet voidaan käsitellä asianmukaisesti, jätelaite on hävitettävä järjestämällä sen palautus nimettyihin keräyspisteisiin.

Tämän tuotteen asianmukainen hävittäminen auttaa säästämään arvokkaita luonnonvaroja ja torjumaan epäasianmukaisen käsittelyn mahdollisesti aiheuttamia kielteisiä vaikutuksia ihmisten terveydelle ja ympäristölle.

Voit palauttaa käytetyn laitteen käyttämällä palautus- ja keräysjärjestelmiä tai ottamalla yhteyttä jälleenmyyjään, jolta tuote on ostettu, mikä on maksutonta. Ota yhteyttä paikallisviranomaisiin saadaksesi lisätietoja lähimmästä nimetystä keräyspisteestä.

Tällaisen jätteen virheellisestä hävittämisestä voidaan määrätä seuraamuksia kansallisen lainsäädännön mukaisesti.

Tietoa käyttäjille käytettyjen paristojen ja akkujen hävittämisestä



Tämä symboli tarkoittaa, että paristoja ja akkuja ei saa niiden käyttöään lopussa sekoittaa lajittelemattomaan yhdyskuntajätteeseen. On tärkeää, että omalta osaltasi ryhdyt toimiin, jotka minimoivat paristojen ja akkujen ympäristö- ja terveysvaikutukset. Voit palauttaa tämän tuotteen tai sen sisältämät paristot tai akut maksutta tavarantoimittajalle tai valtuutettuun keräyspisteeseen asianmukaisesti kierrätettäviksi.

Tämän tuotteen asianmukainen hävittäminen auttaa säästämään arvokkaita luonnonvaroja ja torjumaan epäasianmukaisen käsittelyn mahdollisesti aiheuttamia kielteisiä vaikutuksia ihmisten terveydelle ja ympäristölle.

Tällaisen jätteen virheellisestä hävittämisestä voidaan määrätä seuraamuksia kansallisen lainsäädännön mukaisesti.

Käytetyille paristoille ja akuille on erilliset keräysjärjestelmät.

Hävitä paristot ja akut asianmukaisella tavalla paikallisessa jätteiden keräys- ja kierrätyslaitoksessa.

Tiettyjen vaarallisten aineiden käytön rajoittamista koskeva direktiivi (RoHS-direktiivi)

Ecovacs Home Service Robotics Co., Ltd. vakuuttaa täten, että koko tuote osineen (kaapelit, johdot jne.) täyttää tiettyjen vaarallisten aineiden käytön rajoittamisesta sähkö- ja elektroniikkalaitteissa annetun RoHS-direktiivin 2011/65/EU ja sen muutetun komission delegoidun direktiivin (EU) 2015/863 ("RoHS uudelleenlaadittu" tai "RoHS 2.0") vaatimukset.

Radiolaitedirektiivi

Ecovacs Home Service Robotics Co., Ltd. vakuuttaa täten, että tässä osiossa luetellut tuotteet täyttävät radiolaitedirektiivin 2014/53/EU olennaiset vaatimukset ja muut olennaiset säännökset.

Valtuutettu edustaja Euroopassa:



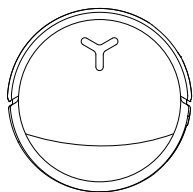
Ecovacs Home Service Robotics Co., Ltd. vakuuttaa täten, että tuote täyttää RoHS-direktiivin 2011/65/EU ja sitä muuttavan komission delegoidun direktiivin (EU) 2015/863 sekä radiolaitedirektiivin 2014/53/EU olennaiset vaatimukset ja muut olennaiset säännökset.

Vaatimustenmukaisuusvakuutus on nähtävissä seuraavassa osoitteessa:

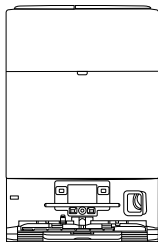
<https://www.ecovacs.com/global/compliance>

PAKKAUKSEN SISÄLTÖ

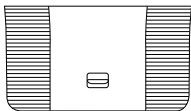
1 Pakkauksen sisältö



DEEBOT



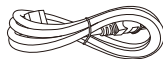
OMNI-asema



Alusta



Käyttöopas



Virtajohto

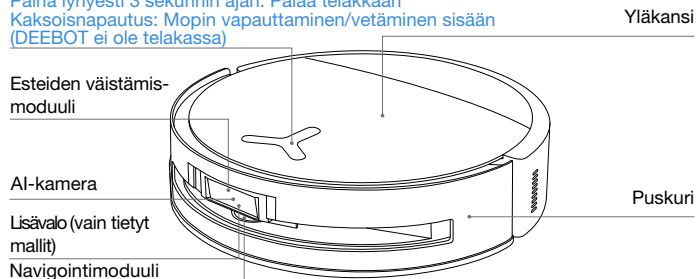
* Tämän ohjekirjan kuvat ovat vain viitteellisiä ja voivat poiketa laitteesta. Tuotteen rakennetta ja teknisiä tietoja voidaan muuttaa ilman ennakoilmoitusta.

2 Tuotteen kaavio

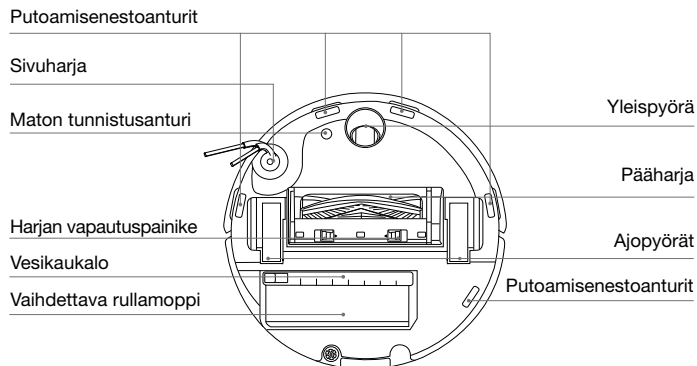
1. DEEBOT edestä katsottuna

DEEBOTin painikkeet:

[PainaVaihda toiminto Käynnistä/Keskeytä/Jatka](#)
[Paina lyhyesti 3 sekunnin ajan: Palaa telakkaan](#)
[Kaksoisnapautus: Mopin vapauttaminen/vetäminen sisään \(DEEBOT ei ole telakassa\)](#)



2. DEEBOT pohjasta katsottuna

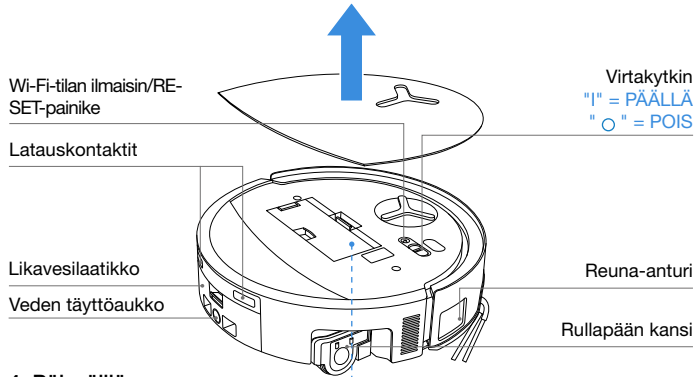


3. DEEBOTin sisäpuoli (yläkannen alla)

RESET-painike

Verkon asetukset: Paina RESET-painiketta ja määritä verkkoasetukset noudattamalla äänikehotetta.

Palauta oletusasetukset: Pidä RESET-painiketta painettuna 5 sekuntia. Kun kuulet äänikehotteen, käynnistymusiikki alkaa soida ja DEEBOT palaa oletusasetuksiin. Nollaaminen poistaa olemassa olevan kartan ja puhdistusasetukset. Käytä harkiten.



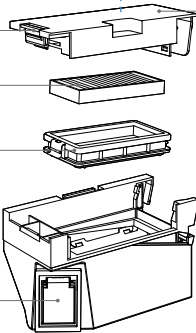
4. Pölysäiliö

Suodattimen salpa

Suodatin

Suodatinverkko

Pölynpoistoportti

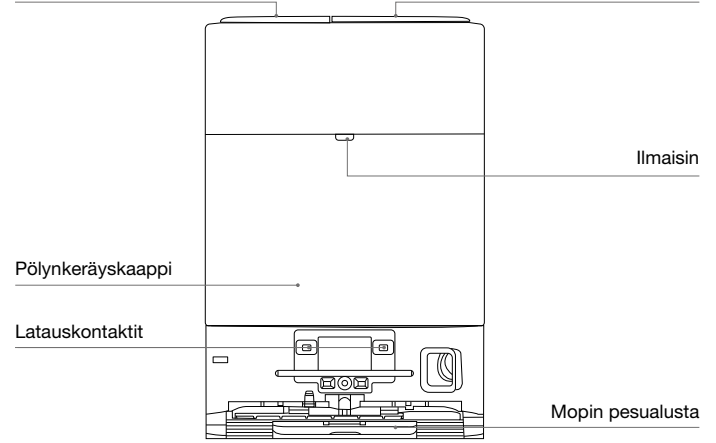


Pölysäiliön kansi

5. OMNI-asema

Likavesisäiliö

Puhdasvesisäiliö

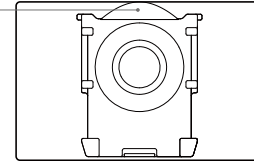


Huomautus:

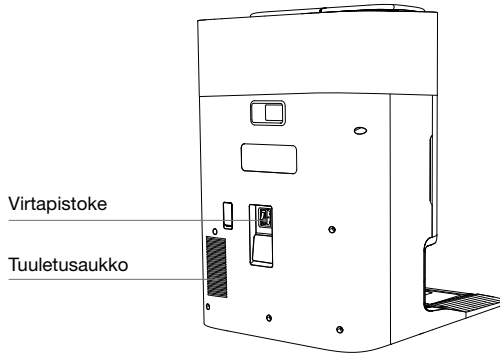
- Vilkkuva punainen: Tarkista syy ECOVACS HOME -sovelluksesta.
- Jos DEEBOT ei lataudu, pyyhi latauskontaktit puhtaalla ja kuivalla liinalla.

6. Pölypussi

Pölypussin kahva



7. OMNI-asema (takana)



8. Merkkivalo

Ilmaisim	Valotehoste	Tila
DEEBOT	Vilkkuva valkoinen	Lataus
	Palava valkoinen	Ladattu täyteen / käynnissä
	Punainen palaa jatkuvasti	Akun varaus vähissä
	Vilkkuva punainen	Toimintahäiriö
Telakka	Palava valkoinen	Valmiustilassa/Käynnissä
	Vilkkuva punainen	Toimintahäiriö
	Lähtee ulos	Sähkökatkos / Syvä lepotila

9. Anturien yleiskuvaus

Nimi	Toimintakuvaus
Navigointimoduuli	Laseretäisyyttä käytetään DEEBOTin ja ympäröivien esineiden välisen etäisyyden mittaamiseen heijastuksen aikaeron perusteella, jotta moduuli voi kartoittaa ympäröivät esineet DEEBOTin liikkua. Tunnistusalue on 10 m.
Esteiden väistämismoduuli	Infrapunamittausta ja samanmuotoisia kolmioita käytetään ympäröivien esineiden ja DEEBOTin välisen etäisyyden mittaamiseen. Kun anturi tunnistaa lähellä olevan esineen, DEEBOT kääntyy automaattisesti välttämään törmäyksen esineeseen. Tunnistusalue on 0,3 m.
Putoamisenestoanturit	Infrapunamittauksella mitataan DEEBOTin pohjan ja maan välinen etäisyys pohjassa olevilla infrapuna-antureilla. DEEBOT ei liiku eteenpäin, kun edessä on portaita (esimerkiksi kun valkoisen pinnan korkeus on vähintään 55 mm tai mustan pinnan korkeus on vähintään 30 mm) ja tunnistettu korkeus ylittää esivalitun korkeuden. Näin toteutetaan putoamisenestotoiminto.
Maton tunnistusanturi	Anturi lähettää 300 kHz:n ultraäänen, jonka energia imeytyy mattoon, jolloin heijastuva energia on alle kynnyksarvon. Näin DEEBOT tunnistaa maton läsnäolon. ECOVACS-laboratoriossa on tunnistettu yli 50 markkinoilla saatavilla olevaa mattotyyppiä.
Törmäyksenestotunnistin	Optoerotinkinperiaatteen avulla DEEBOT väistää esteitä törmäyksen uhatessa.
Reuna-anturi	Reuna-anturi tunnistaa DEEBOTin ja sivulla olevien esineiden välisen etäisyyden infrapunamittauksen avulla. Kun oikealla puolella on seinä tai esteitä, DEEBOT suorittaa reunojen puhdistuksen, jotta se ei jätä puhdistamatta mitään kohtaa ja välttää törmäykset.
AI-kamera	Käytä tekoälykameran ympäristön kuvien keräämiseen. Suorita videotallennus. Vuorovaikutuksessa MIC:n kanssa voidaan soittaa etävideopuhelu (joissakin malleissa).

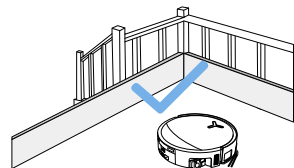
ALKUASENNUS JA KÄYTTÖ

1 Huomattavaa ennen puhdistusta



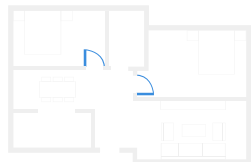
Siisti puhdistettava alue

Jotta puhdistusalue olisi mahdollisimman suuri, siirrä huonekalut, kuten pöydät, tuolit ja lattiatuulettimet, oikeille paikoilleen ja poista matalat esineet, kuten vaa'at, ennen DEEBOTin käyttöä.



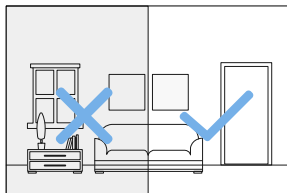
Estä DEEBOTia putoamasta

Aseta fyysinen este pudotuksen, kuten portaiden ja askelmien, eteen, jotta DEEBOT ei putoa reunan yli.



Avaa ovet ja auta DEEBOTia tutki- maan

Avaa kaikkien huoneiden ovet, jotta DEEBOT voi tutkia koko asunnon ensimmäisellä käyttökerralla.



Huolehdi riittävästä valaistuksesta

Varmista, että kaikki puhdistettavat alueet on valaistu hyvin, jotta DEEBOTin tekoälykamera voi väistää tarkasti esteitä, kuten kenkiä, sukkiä ja johtoja.



Poista esineet, kuten kaapelit, vaatteet ja tossut, lattialta puhdistustehokkuuden parantamiseksi.



Ennen kuin käytät tuotetta matolla, jonka reunoissa on tupsut, taita tupsut maton alle.



Älä seiso kapeissa tiloissa, kuten käytävissä, jotta et estä navigointimoduulin toimintaa.



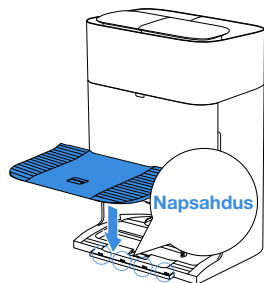
Varmista DEEBOTin kuvan selkeys ja vältä AI-kameran objektiivin naarmuttamista tai tuhrimista sormenjäljillä tai rasvaisilla tahroilla. Pyyhi kamera puhtaalla pehmeällä liinalla puhdistusaineiden, pesuaineiden tai suihkeiden käyttämisen sijaan.

2 Pika-aloitus

Poista kaikki suojamateriaalit ennen käyttöä.

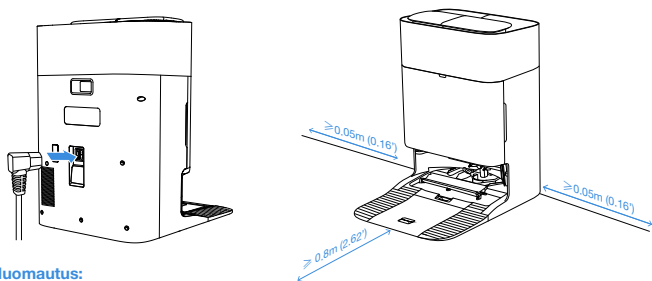
1. Asennus

Napsauttava ääni ilmoittaa, että asennus on onnistunut.



2. Kokoa ja sijoita telakka

Aseta OMNI-asema seinää vasten tasaiselle, kovalle pinnalle. Älä sijoita esineitä 0,05 metrin päähän kummaltakin puolelta ja 0,8 metrin päähän edestä.



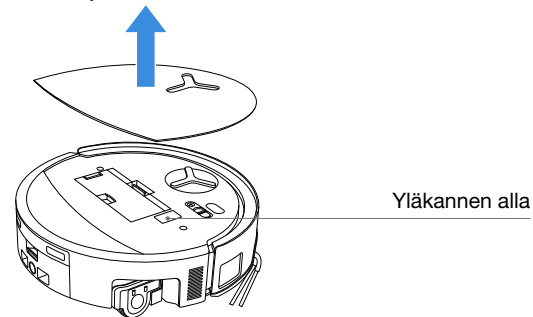
Huomautus:

- Jos telakan lähellä on heijastavia esineitä, kuten peilejä ja heijastavia jalkalistoja, 14 cm niiden alaosaan tulee peittää.
- Älä sijoita telakkaa suoraan auringonvaloon tai ympäristöön, jonka lämpötila on korkea.
- Sijoita käyttökokemuksen parantamiseksi telakka paikkaan, jossa on voimakas Wi-Fi-signaali.
- Älä käytä laitetta märillä pinnoilla tai pinnoilla, joilla on seisovaa vettä.
- Älä pyyhi DEEBOTia ja lataustelakkaa kostealla liinalla tai äläkä käytä mitään nesteitä.

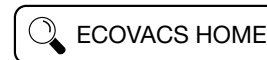
3 Lataa ECOVACS HOME -sovellus

Jotta voisit nauttia kaikista käytettävissä olevista ominaisuuksista, suosittelemme, että ohjaat DEEBOTia ECOVACS HOME -sovelluksen kautta.

Lataa sovellus skannaamalla yläkannen alla oleva QR-koodi.




Tai lataa sovellus etsimällä "ECOVACS HOME" App Storesta tai Google Playstä.



Huomautus: Suorita rekisteröityminen, kirjautuminen ja yhteyden muodostaminen noudattamalla sovelluksen ohjeita.

4 Yhdistä DEEBOT sovellukseen

Bluetoothin kautta: Kytke DEEBOT ja matkapuhelimen Bluetooth päälle. Anna sovelluksen hankkia matkapuhelimen Bluetooth-käyttöoikeus. Skannaa DEEBOTin QR-koodi napauttamalla tai etsi lähin DEEBOT napauttamalla sovelluksessa tai .


Wi-Fiin kautta: Voit yhdistää DEEBOTin sovellukseen myös muilla tavoilla noudattamalla sovelluksen sivulla olevia ohjeita.

Huomautus: Parhaan käyttökokemuksen saamiseksi muodosta yhteys Bluetoothin kautta.

WLAN-verkon vaatimukset:

- Käytössä on 2,4 GHz:n tai 2,4/5 GHz:n sekaverkko.
- Reititin tukee 802.11b/g/n- ja IPv4-protokollia.
- Älä käytä VPN:ää (virtuaalista yksityisverkkoa) tai välityspalvelinta.
- Älä käytä piilotettua verkkoa.
- WEP EAP (Enterprise Authentication Protocol) -protokollaa ei tueta.
- Käytä Wi-Fi-kanavia 1–11 Pohjois-Amerikassa ja kanavia 1–13 Pohjois-Amerikan ulkopuolella (katso paikallisen sääntelyviranomaisen ohjeet).
- Jos käytetään verkkolaajenninta/-toistinta, verkon nimi (SSID) ja salasana ovat samat kuin ensisijaisen verkon.
- Ota WPA2 käyttöön reitittämissä.

Wi-Fi-merkkivalo

	Hitaasti vilkkuva valkoinen	WLAN-yhteys katkaistu
	Nopeasti vilkkuva valkoinen	Yhdistetään
	Palava valkoinen	Yhdistetty WLAN-verkkoon

Huomaa, että älykkäät ominaisuudet, kuten etäkäynnistys, 2D/3D-karttanäyttö ja ohjausasetukset sekä henkilökohtainen puhdistus (laitteen mukaan), vaativat ECOVACS HOME -sovelluksen, jota päivitetään jatkuvasti. Sinun tulee hyväksyä tietosuojakäytäntömme ja käyttöehtosopimuksemme, jotta voimme käsitellä joitakin olennaisia ja välttämättömiä tietojasi, ennen kuin voit käyttää ECOVACS HOME -sovelluksen tiettyjä ominaisuuksia laitteen ohjaamiseen. Jos et hyväksy tietosuojakäytäntöämme ja käyttöehtosopimustamme, kyseiset ominaisuudet eivät ole käytettävissä. Voit kuitenkin jatkaa laitteen perustoimintojen käyttämistä manuaalisesti.

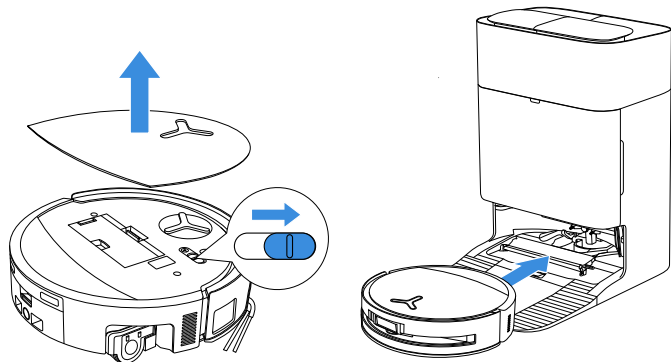
Verkkoliitännän tiedot

Nimi	Kuvaus
Infrapunaliitäntä	Infrapunaliitäntä on oletusarvoisesti pois päältä, ja se aktivoituu, kun robotti on lataustelakassa. Kun DEEBOT on lataustelakassa, se kommunikoi lataustelakan kanssa infrapunaliitännän kautta.
Bluetooth	Ota Bluetooth käyttöön, jotta robotti voidaan yhdistää verkkoon verkkoasetuksia määritettäessä. Bluetooth käyttää GAP1800-, GATT 1801- ja 8888-palvelua turvalliseen konfigurointiin ja tiedonvaihtoon.
Wi-Fi*	Helpottaa tiedonsiirtoa robotin ja sovelluksen välillä ja mahdollistaa robotin hallinnan sovelluksen kautta.
ECOVACS HOME -sovellus	ECOVACS-tuotteet tarjoavat älykkäitä toimintoja, kuten verkkoasetukset, kartoitus ja puhdistustilan valinta (tuotekohtaisesti). Näiden ominaisuuksien käyttäminen edellyttää, että käyttäjät lataavat virallisen ECOVACS Home -sovelluksen ja käyttävät sitä.

* DEEBOT-sarjan robottipölynimurit on suunniteltu kotitalouksien puhdistamiseen. Toiminta edellyttää kotiverkon WLAN-yhteyttä, ja käyttäjien tulee määrittää Anti-DDoS-suojaus reitittimen asetuksista.

5 Käynnistä ja lataa DEEBOT

Kytke virta DEEBOTin kannen alla oleva virtakytkimellä (" I " = PÄÄLLÄ, " O " = POIS), aseta DEEBOT virransyöttöön kytketyn telakan eteen ja DEEBOT sitten takaisin telakkaan.

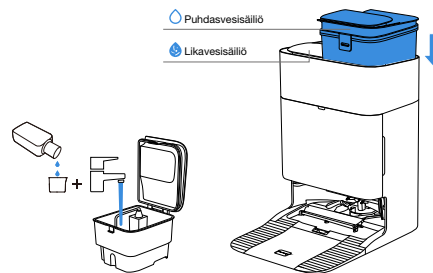


Huomautus:

- DEEBOTia ei voi ladata, kun sen virta on katkaistu.
- Puhdistuksen jälkeen DEEBOT kannattaa pitää päällä ja latauksessa, jotta se on valmis seuraavaa puhdistuskertaa varten.
- Aloita puhdistus telakasta. Älä siirrä telakkaa puhdistuksen aikana.

6 Täytä puhdasvesisäiliö

Täytä puhdasvesisäiliö puhtaalla vedellä. Lisää sopiva määrä puhdistusliuosta laimennussuhteella 1:200 käyttämällä pullon korkkia. Kiinnitä säiliön kansi, sekoita ravistamalla varovasti ja käytä.



Huomautus:

- Kun puhdasvesisäiliö on täynnä (noin 4 litraa), lisää yksi korkillinen puhdistusliuosta (noin 20 ml).
- Älä lisää kuumaa vettä, sillä se voi aiheuttaa vesisäiliön muodonmuutoksia.
- Jos vesisäiliön ulkopinnalle on jäänyt vesitahroja, pyyhi ne pois pehmeällä, kuivalla liinalla, ennen kuin laitat säiliön takaisin paikoilleen.
- Älä lisää muita kuin ECOVACSin virallisia puhdistusaineita, sillä ne voivat vahingoittaa tuotetta.
- Vesisäiliön sisällä olevat vesitahrat ovat peräisin tehtaan testauksesta. Käytä luottavaisin mielin.

7 Käytä DEEBOTia

1. Aloita kartoitus


Kun luot kartan ensimmäistä kertaa, seuraa DEEBOTia, jotta voit auttaa sitä pienten ongelmien kanssa.

DEEBOT saattaa esimerkiksi juuttua huonekalujen alle. Katso seuraavat ratkaisut:


① Nosta matalia huonekaluja ylös mahdollisuuksien mukaan. ② Peitä huonekalujen pohja.

2. Aloita puhdistus


- DEEBOTin vesisäiliö täytetään automaattisesti telakassa. Manuaalista täyttöä ei tarvita.
- Moppaamisen aikana DEEBOT tunnistaa lattian tyyppin ja nostaa rullamopin automaattisesti, kun mattoja kohdataan. Älä käytä DEEBOTia takkuisilla matoilla tai matolla, jonka kuidut ovat yli 10 mm pitkiä. On suositeltavaa taittaa takkuiset matot, joiden kuidut ovat yli 10 mm pitkiä, puhdistuksen ajaksi. Aseta virtuaalinen raja ECOVACS HOME -sovelluksessa.

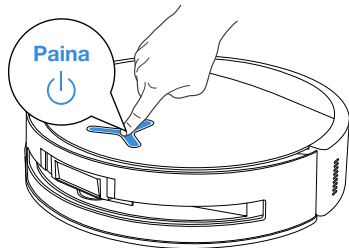
Varmista ennen ensimmäistä puhdistusta, että DEEBOT on lataustelakassa ja ladattu täyteen. Käynnistä DEEBOT napauttamalla . Voit käynnistää sen myös käyttämällä ECOVACS HOME -sovellusta.

3. Tauko


Keskeytä DEEBOTin toiminta napauttamalla sen -painiketta. Voit keskeyttää DEEBOTin toiminnan myös käyttämällä ECOVACS HOME -sovellusta.

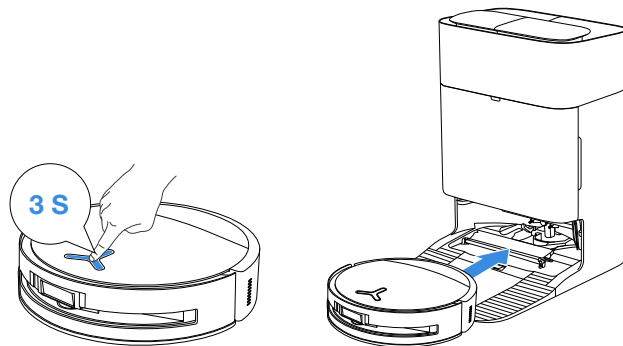
4. Herää

Kaikki DEEBOTin ilmaisimet sammuvat lyhyen tauon jälkeen. Voit herättää DEEBOTin painamalla lyhyesti -painiketta tai käyttämällä ECOVACS HOME -sovellusta.



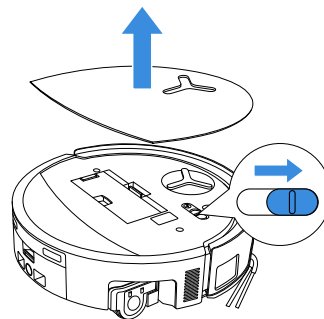
5. Takaisin telakkaan

Käytä ECOVACS HOME -sovellusta DEEBOTin kutsumiseen tai paina ja pidä painettuna DEEBOTin -painiketta 3 sekuntia, niin DEEBOT voi palata lataustelakkaan.



6. Syvä lepotila

DEEBOT siirtyy syvään lepotilaan akun suojaamiseksi, jos se on poissa lataustelakasta noin 10 tuntia. Herätä DEEBOT kytkemällä virta pois päältä ja takaisin päälle. Jos DEEBOT ei reagoi, aseta se telakkaan lataamista varten.



MÄÄRÄAIKAISHUOLTO

Huoltoväli

Jotta DEEBOT toimisi mahdollisimman tehokkaasti, suorita huolto ja vaihda osia seuraavin väliajoin:

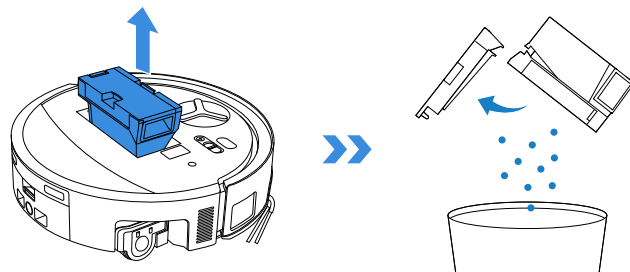
DEEBOT-osa	Huoltoväli	Vaihtoväli
Pestävä rullamoppi	/	1–2 kuukauden välein
Likavesilaatikko	Joka viikko	/
Vesikaukalo	Joka viikko	/
Pölypussi	/	Kun sovellus pyytää sitä
Sivuharja	2 viikon välein	3–6 kuukauden välein
Pääharja	Joka viikko	6–12 kuukauden välein
Suodatin	Joka viikko	3–6 kuukauden välein
Yleispyörä Putoamisenestoanturit Reuna-anturi Puskuri DEEBOTin latauskontaktit OMNI-aseman latauskontaktit Navigointimoduuli Esteiden väistämismoduuli AI-kamera	Noin kerran kuussa	/
Puhdasvesisäiliö	Kolmen kuukauden välein	/
Likavesisäiliö	Joka kuukausi	/
Pölynkeräyskaappi	Joka kuukausi	/
Telakan runko ja pohja	Joka kuukausi	/
Mopin pesualusta	5 kuukauden välein	/

Tutustu muihin lisävarusteisiin ECOVACS HOME -sovelluksessa tai osoitteessa <https://www.ecovacs.com>

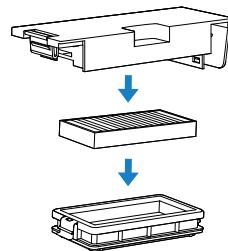
DEEBOT-huolto

1 Pölysäiliön ja suodattimen huoltaminen

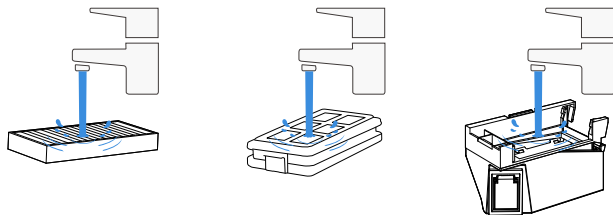
1. Irrota pölysäiliö ja tyhjännä se.



2. Avaa suodatinverkko ja irrota suodatin.



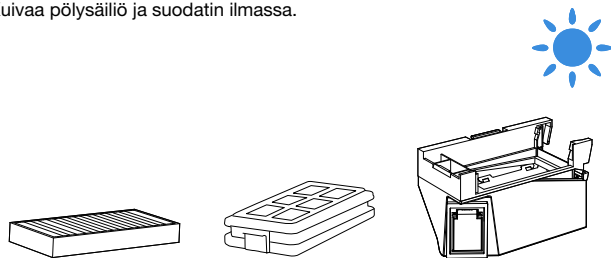
3. Huuhtele pölysäiliö ja suodatin vedellä ja ravista vesipisarat pois.



Huomautus:

- Huuhtele suodatin vedellä kuvan mukaisesti.
- Älä käytä sormia tai harjaa suodattimen puhdistamiseen.

4. Kuivaa pölysäiliö ja suodatin ilmassa.



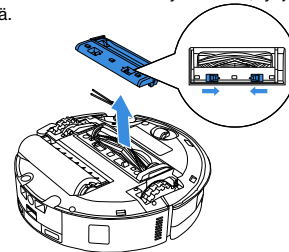
Huomautus: Kuivaa pölysäiliön osat kunnolla ennen käyttöä.

2 Pääharjan ja sivuharjan huoltaminen

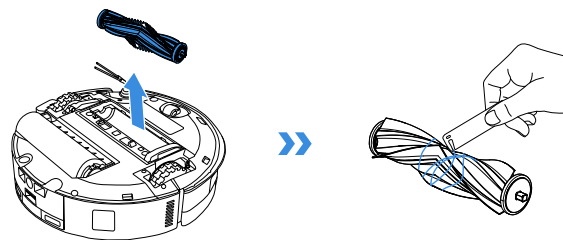
Puhdista pääharja

1. Irrota pääharjan kansi.

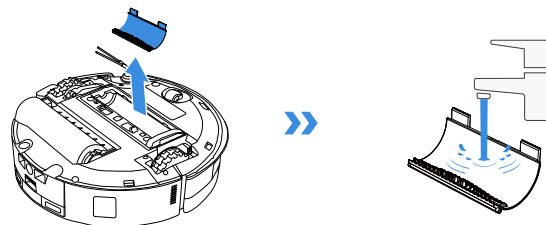
Huomautus: Ennen kuin käännät DEEBOTin ylösalaisin, tyhjennä likavesisäiliö ja vesikaukalo kokonaan vedestä.



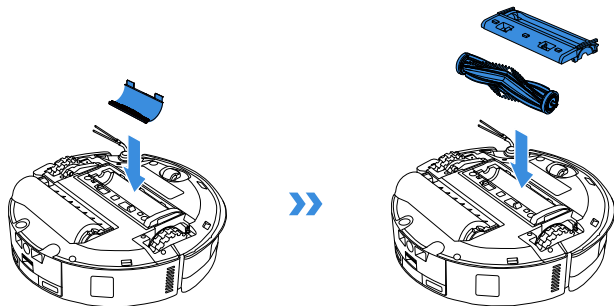
2. Irrota ja puhdista pääharja.



3. Irrota, puhdista ja kuivaa harjakampa.

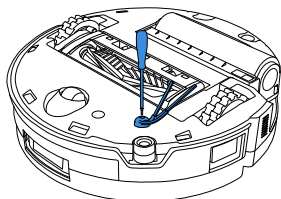


4. Asenna harjakampa, pääharja ja kansi.



Puhdista sivuharja.

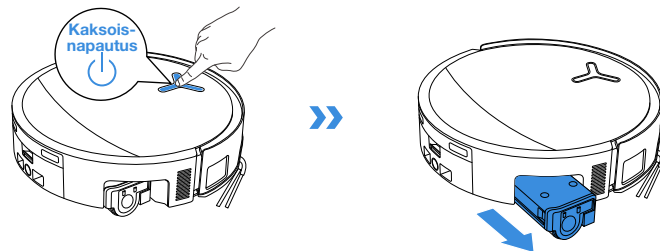
Irrota sivuharja ruuvitaltalla ja puhdista se.



3 Rullamopin huoltaminen

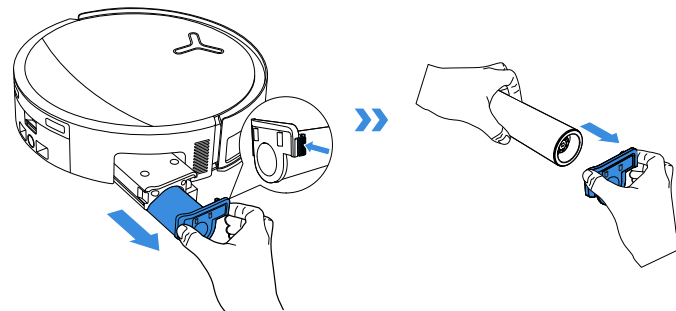
Puhdista rullamoppi.

1. Vapauta rullamoppiosa kaksoisnapsauttamalla -painiketta.

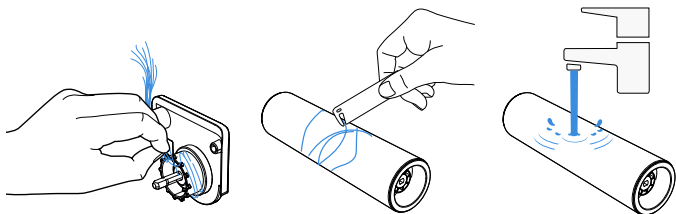


Huomautus: Älä vedä rullaa voimakkaasti, kun se on vedetty sisään, sillä se voi vaurioittaa rullamoppiosaa.

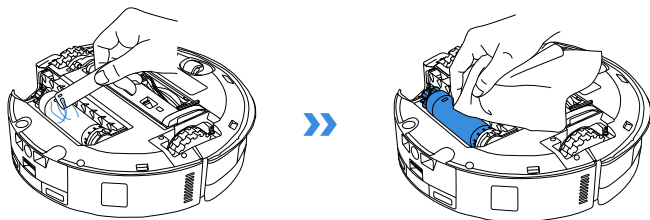
2. Irrota rulla painamalla sivulla olevaa lukituksen avauspainiketta.




3. Puhdista rullamoppi.

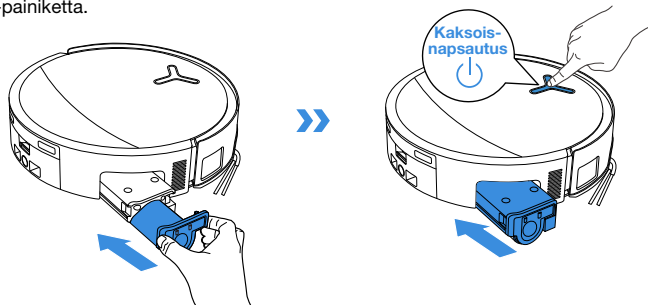


4. Puhdista rullan sisäpuoli.



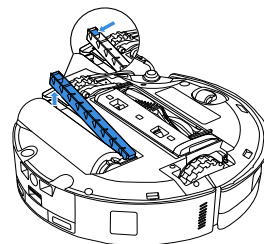
Huomautus Älä pese DEEBOTia vedellä.

5. Paina rullamoppi rullapään kanteen ja vedä se sisään kaksoisnapauttamalla  -painiketta.



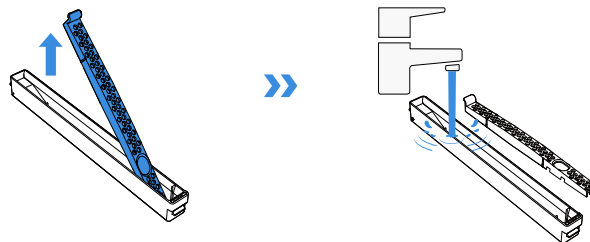
4 Huolla vesikaukalo

1. Irrota vesikaukalo.

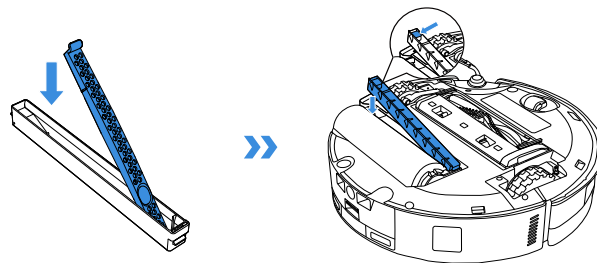


Huomautus Pieni määrä jäännösvettä voi vuotaa ulos, kun DEEBOT käännetään ympäri, jos se ei ole kuivaustilassa.

2. Irrota ja puhdista vesikaukalon osat.



3. Asenna vesikaukalon suodatinkomponentit kuvan mukaisesti.

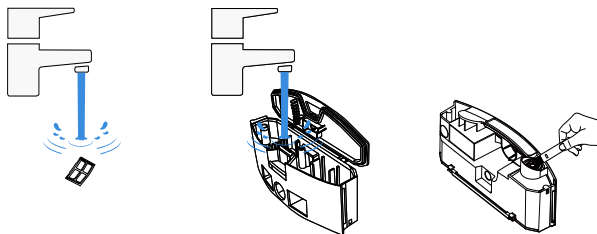


5 Likavesilaatikkon huoltaminen

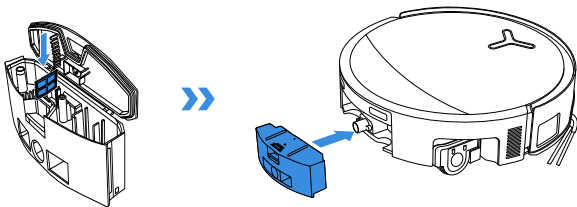
1. Poista likavesilaatikko ja suodatinverkko.



2. Puhdista suodatinverkko, laatikko ja viemäriputken ulostuloaukko.



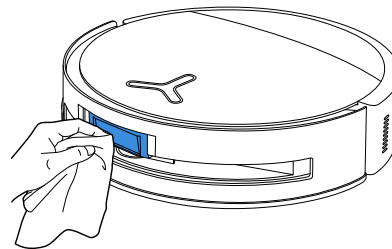
3. Asenna suodatin takaisin paikalleen, paina se kiinni ja kiinnitä likavesilaatikkon kansi takaisin.



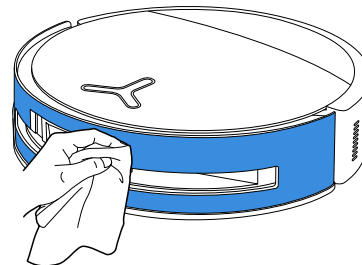
Paina likavesilaatikkon kanta tiukasti ohjaussuntaan, kunnes sen taso on täysin laatikon yläreunan tasalla tiiviin tiivistyksen varmistamiseksi.

6 Muiden komponenttien huoltaminen

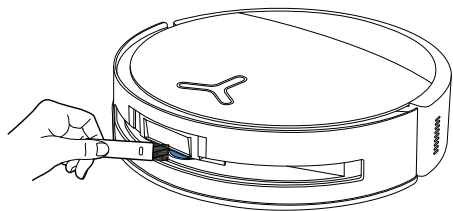
Puhdista esteen väistämismoduulin linssi



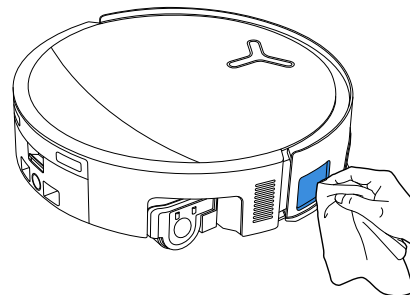
Puhdista puskuri



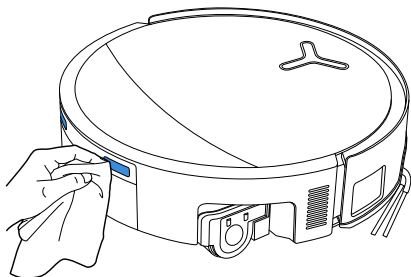
Puhdista navigointimoduuli



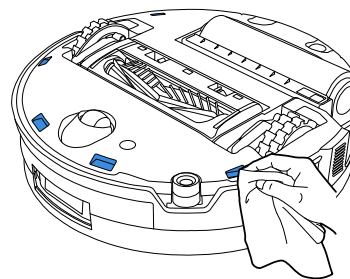
Puhdista reuna-anturi



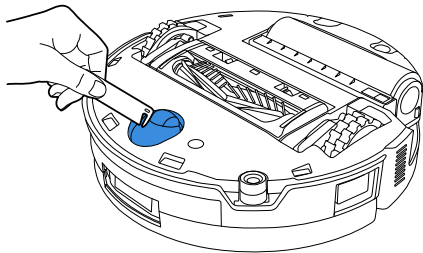
Puhdista latauskontaktit



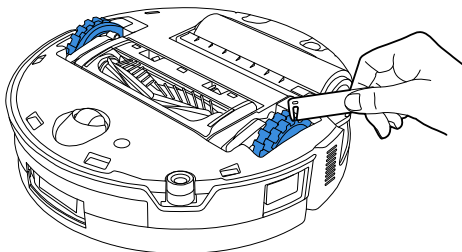
Puhdista putoamisenestoanturit



Puhdista yleispyörä



Puhdista vetopyörät



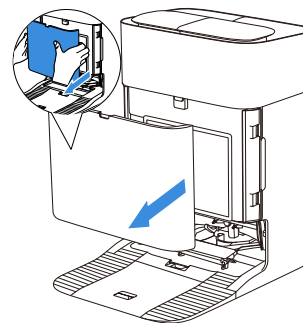
Huomautus:

- Tutustu muihin lisävarusteisiin ECOVACS HOME -sovelluksessa tai osoitteessa <https://www.ecovacs.com>.
- Pyyhi osat puhtaalla, kuivalla liinalla. Älä koskaan käytä märkää liinaa. Älä käytä puhdistus-suihkeita tai pesuaineita.

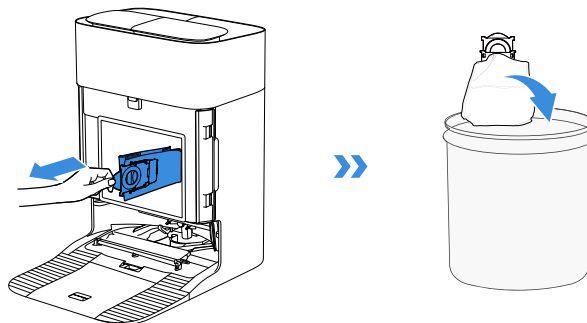
Aseman huolto

1 Pölysäiliön huoltaminen

1. Irrota pölynkeräyskaapin kansi.

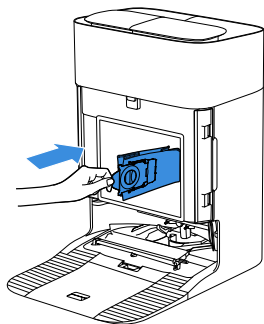


2. Irrota kertakäyttöinen pölypussi nuolen suuntaan ja hävitä se.

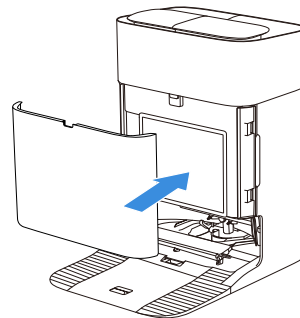


Huomautus: Nosta pölypussi pois pitämällä kiinni kahvasta, jotta pölyä ei pääse vuotamaan.

3. Puhdista pölynkeräyskaappi kuivalla liinalla ja asenna uusi pölypusi.

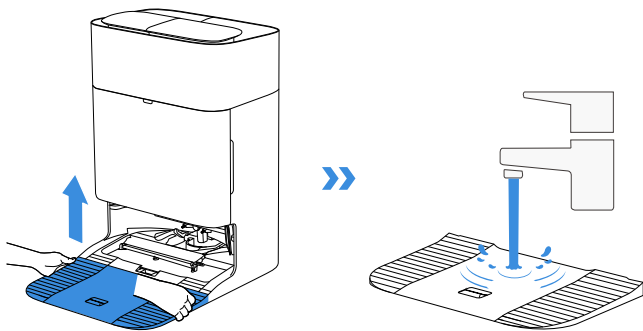


4. Aseta pölynkeräyskaapin kannen yläsalpa paikalleen ja paina sitä alaspäin, jotta se tiivistyy kunnolla.

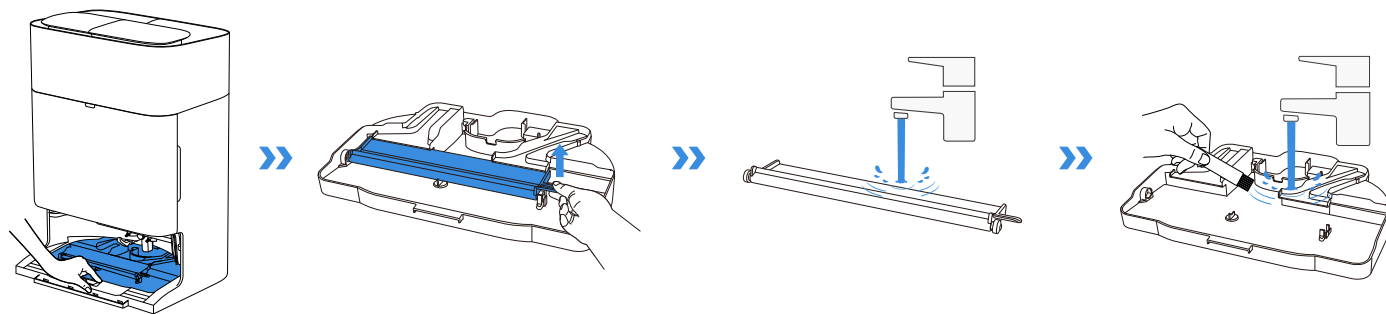


2 Mopin pesualustan huoltaminen

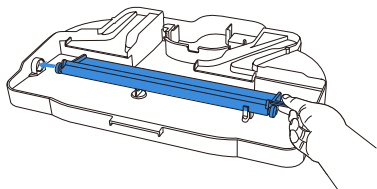
1. Irrota ja puhdistusta telakan alusta.



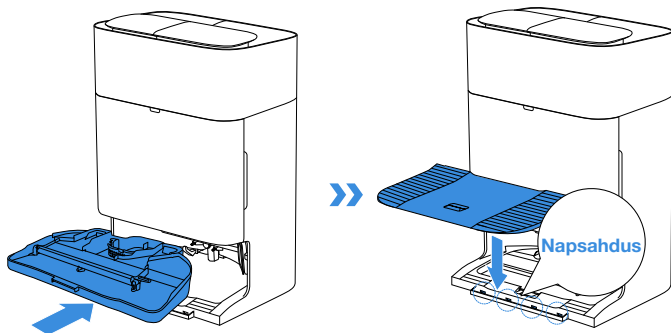
2. Irrota ja puhdistusta mopin pesualusta ja liotusalusta.



3. Asenna liotusalusta.



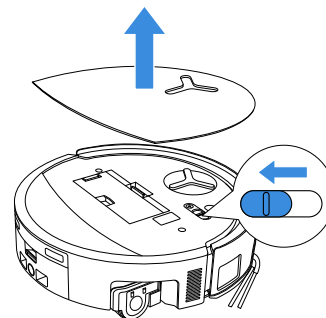
4. Asenna mopin pesualusta ja alusta.



Huomautus: Asenna alustat oikein toimintahäiriöiden välttämiseksi.

3 Varastointi

Lataa DEEBOT täyteen ja sammuta se ennen varastointia. Lataa se 1,5 kuukauden välein, jotta akku ei purkautu liikaa.



! Huomaa, että DEEBOTia ei voi ladata, kun virta on katkaistu.


Huomautus:

- Kun DEEBOT on lopettanut puhdistustehtävän, sitä ei kannata sammuttaa vaan pitää se latauksessa, jotta se olisi valmiina seuraavaa puhdistuskertaa varten.
- Jos akku on ylipurkautunut tai sitä ei ole käytetty pitkään aikaan, DEEBOTia ei välttämättä voi ladata.
- Ota yhteyttä ECOVACSiin avun saamiseksi. Älä pura akkua itse.
- Jos tuotetta ei käytetä pitkään aikaan, pidä likavesilaatikon sekä vesisäiliöt tyhjinä ja moppi kuivana.

VIANMÄÄRITYS


Seuraavassa mahdollisessa ongelmassa katso vastaavat ratkaisut.

Nro	Toimintahäiriö	Mahdollinen syy	Ratkaisu
1	DEEBOT ei pysty muodostamaan yhteyttä ECOVACS HOME -sovellukseen.	Virheellinen Wi-Fi-käyttäjätunnus tai salasana syötetty.	Syötä oikea Wi-Fi-käyttäjätunnus ja salasana.
		DEEBOT ei ole kodin Wi-Fi-signaalin kuuluvuusalueella.	Varmista, että DEEBOT on kodin Wi-Fi-signaalin kuuluvuusalueella. Yritä pysyä mahdollisimman lähellä reititintä.
		DEEBOT ei ole konfigurointitilassa.	Paina Reset-painiketta, kun haluat yhdistää DEEBOTin puhelimeen Bluetoothin kautta. Jos se epäonnistuu, muodosta yhteys uudelleen ECOVACS HOME -sovelluksen kautta.
		Wi-Fi-luettelossa ei ole kotiverkkoa.	1. Tarkista, sisältääkö Wi-Fi-nimi erikoismerkkejä. Älä käytä erikoismerkkejä kuten ! @#& ¥%/\. 2. Älä käytä 5 GHz:n verkkoa.
		Väärä sovellus on asennettu.	Lataa ja asenna ECOVACS HOME -sovellus.
2	Huonekalukarttaa ei voi luoda sovelluksessa.	DEEBOTin siirtäminen puhdistuksen aikana voi aiheuttaa kartan katoamisen.	Älä siirrä DEEBOTia puhdistuksen aikana.
		Automaattinen puhdistus ei ole päättynyt.	Varmista, että DEEBOT palaa automaattisesti OMNI-asemaan puhdistuksen jälkeen.
		Usean kerroksen tila ei ollut käytössä, kun toinen kartta luotiin.	Ota käyttöön usean kerroksen tila sovelluksessa.
3	Sivuharja irtoaa paikaltaan käytön aikana.	Sivuharjaa ei ole asennettu oikein.	Kun asennat sivuharjan ruuvimeisselillä, varmista, että ruuvi on kiristetty kunnolla.
4	Ei signaalia. Ei voi palata telakkaan.	OMNI-asema on sijoitettu väärin.	Sijoita telakka oikein kohdan Käynnistä ja lataa DEEBOT ohjeiden mukaisesti.
		OMNI-asemassa ei ole virtaa, tai sitä on siirretty.	Tarkista, onko OMNI-asema kytketty virtalähteeseen. Älä siirrä OMNI-asemaa.
		DEEBOT ei aloita puhdistamista OMNI-asemasta.	On suositeltavaa, että DEEBOT aloittaa puhdistamisen OMNI-asemasta.
		Telakointireitillä on esteitä. Esimerkiksi ovi huoneeseen, johon OMNI-asema on sijoitettu, on suljettu.	Pidä latausreitti vapaana.

Nro	Toimintahäiriö	Mahdollinen syy	Ratkaisu
5	DEEBOT palaa OMNI-asemaan, ennen kuin puhdistus on valmis.	Huone on niin suuri, että DEEBOTin täytyy palata lataamaan akkua.	Ota automaattinen jatkaminen käyttöön. Lisätietoja on sovelluksen ohjeissa.
		Erittäin monimutkaisissa kodin pohjaratkaisuissa puhdistustehokkuus saattaa heikentyä, mikä voi johtaa epätavalliseen puhdistukseen.	Yksinkertaista kodin asettelua.
6	DEEBOTia ei voi ladata.	DEEBOTia ei ole kytketty päälle.	Kytke DEEBOT päälle.
		DEEBOTin latauskontakteja ei ole kytketty OMNI-aseman latauskontakteihin.	Varmista, että DEEBOTin latauskontaktit on kytketty lataustelakan latauskontakteihin ja että  vilkkuu. Tarkista, ovatko DEEBOTin ja OMNI-aseman latauskontaktit liikkaiset. Puhdista nämä osat kohdan MÄÄRAAIIKAISHUOLTO ohjeiden mukaisesti.
		OMNI-asemaa ei ole kytketty virransyöttöön.	1. Varmista, että OMNI-asema on kytketty virransyöttöön. 2. Kun virta on kytketty, varmista, että moottorin käynnistysääni kuuluu.
		Alustaa ei ole asennettu paikalleen.	Katso oikea asennus kohdasta Pika-aloitus .
7	DEEBOT on erittäin kovaääninen puhdistuksen aikana.	Pääharja/sivuharja on takertunut tai pölysäiliö/suodatin on tukkeutunut.	Pääharja, sivuharja, pölysäiliö, rullamoppi, suodatin jne. kannattaa puhdistaa säännöllisesti.
		DEEBOT on Voimakas imu -tilassa tai Maksimi imuteho -tilassa.	Vaihda Normaali-tilaan.
8	DEEBOT juuttuu työskentelyn aikana ja pysähtyy.	DEEBOT takertuu lattialla oleviin esineisiin (sähköjohdot, verhot, mattojen hapsut tms.).	DEEBOT yrittää vapauttaa itsensä useilla eri tavoilla. Jos yritykset epäonnistuvat, poista esteet manuaalisesti ja käynnistä laite uudelleen.
		DEEBOT saattaa juuttua huonekalujen alle, joiden korkeus on samanlainen.	Nosta huonekaluja, aseta fyysinen este tai aseta virtuaalinen raja ECOVACS HOME -sovelluksen kautta.
		DEEBOT on juuttunut kapealle alueelle.	Siivoa koti, aseta fyysinen este tai aseta virtuaalinen raja ECOVACS HOME -sovelluksen kautta.

Nro	Toimintahäiriö	Mahdollinen syy	Ratkaisu
9	Puhdistuksen aikana DEEBOT saattaa kohdata ongelmia, kuten sekavan reitin, yksipuolisen liikkeen, samojen kohtien toistuvan puhdistuksen ja pienten alueiden jäämisen väliin. (Jos suuri alue on jäänyt tilapäisesti puhdistamatta, DEEBOT puhdistaa sen automaattisesti. Joskus DEEBOT palaa jo puhdistettuun huoneeseen, mutta kyseessä ei välttämättä ole toistuva puhdistus, vaan DEEBOT on löytänyt väliin jääneen alueen.)	Lattialla olevat esineet, kuten johdot ja tossut, estävät DEEBOTin liikkumisen.	Siivoa ennen puhdistusta mahdollisimman hyvin lattialla olevat johdot, tossut ja muut esineet. Jos jokin alue jää väliin puhdistuksen aikana, DEEBOT korjaa sen automaattisesti. Älä häiritse laitteen toimintaa (esim. siirtämällä DEEBOTia tai estämällä sen kulkua).
		Ajopyörät voivat luistaa lattialla, kun DEEBOT kiipeeä portaita, kynnyksiä ja ovien listoja, mikä voi vaikuttaa sen arvioon koko kodin ympäristöstä.	On suositeltavaa sulkea kyseisen alueen ovi ja puhdistaa se erikseen. Puhdistuksen jälkeen DEEBOT palaa lähtöpaikkaansa.
		Ajopyörien ja lattian välinen kitka voi olla pienempi vasta vahatuilla tai kiillotetuilla lattioilla sekä sileillä laatoilla.	Odota vahan kuivumista ennen puhdistamista.
		Kotien erilaisten pohjaratkaisujen vuoksi DEEBOT ei pääse joillekin alueille.	Siivoa koti, jotta DEEBOT pääsee puhdistettaville alueille.
10	Etäohjauksen viive.	Wi-Fi-signaali on heikko, mikä hidastaa videon lataamista.	Käytä DEEBOTia alueilla, joilla on hyvä Wi-Fi-signaali.
11	DEEBOT ei tyhjennä pölysäiliötä OMNI-asemaan palaamisen jälkeen.	Automaattista tyhjennystoimintoa ei ole otettu käyttöön ECOVACS HOME -sovelluksessa.	Ota Automaattinen tyhjennys -toiminto käyttöön ECOVACS HOME -sovelluksessa.
		DEEBOTin siirtäminen manuaalisesti takaisin telakkaan ei käynnistä Automaattinen tyhjennys -toimintoa.	On suositeltavaa antaa DEEBOTin palata OMNI-asemaan itsenäisesti. Älä siirrä sitä manuaalisesti.
		Älä häiritse -tilassa DEEBOT ei tyhjennä pölyä OMNI-asemaan palaamisen jälkeen.	Poista Älä häiritse -toiminto käytöstä ECOVACS HOME -sovelluksessa tai käynnistä pölyn tyhjennys manuaalisesti.
		Telakka tunnistaa tyhjän tehokkuuden heikkenemisen.	Vaihda pölypussi kohdan MÄÄRÄAIKAISHUOLTO ohjeiden mukaisesti ja sulje pölynkeräyskaappi. Jos pölypussi ei ole täynnä, kun sovellus sitä pyytää, voit laittaa sen takaisin paikalleen.
		Tarkista, onko pölysäiliö täynnä ja aiheuttaako se tukoksen.	Puhdista pölysäiliö kohdan MÄÄRÄAIKAISHUOLTO ohjeiden mukaisesti.
		Jos edellä mainitut mahdolliset syyt on suljettu pois, telakan komponentit saattavat olla viallisia.	Ota yhteyttä asiakaspalveluun saadaksesi apua.

Nro	Toimintahäiriö	Mahdollinen syy	Ratkaisu
12	Automaattinen tyhjennys epäonnistui.	Telakka tunnistaa tyhjän tehokkuuden heikkenemisen.	Vaihda pölypussi kohdan MÄÄRÄAIKAISHUOLTO ohjeiden mukaisesti ja sulje pölynkeräyskaappi. Jos pölypussi ei ole täynnä, kun sovellus sitä pyytää, voit laittaa sen takaisin paikalleen.
		Vieraat esineet ovat tukkineet pölysäiliön ulostuloaukon.	Irrota pölysäiliö ja poista vieraat esineet ulostuloaukosta.
13	Pölynkeräyskaapin sisäpuoli on likainen.	Hienojakoiset hiukkaset läpäisevät pölypussin ja kertyvät pölynkeräyskaapin sisäpuolelle.	Puhdista pölynkeräyskaapin sisäpuoli.
		Pölypussi on rikki.	Tarkista ja vaihda pölypussi.
		Pölypussia ei ole asennettu oikein.	Asenna pölypussi oikein.
		Pölynkeräyskaapin kantta ei ole suljettu.	Tarkista, että pölynkeräyskaapin kansi on suljettu kunnolla.
14	DEEBOTin käytön aikana esiintyy pölyn vuotamista.	Vieraat esineet ovat tukkineet pölysäiliön ulostuloaukon.	Irrota pölysäiliö ja poista vieraat esineet ulostuloaukosta.
15	Rullamoppi ei pyöri.	Rullamoppia ei ole asennettu oikein.	Asenna rullamoppi oikein kohdan MÄÄRÄAIKAISHUOLTO ohjeiden mukaisesti.
		Vieraat esineet ovat tukkineet rullamopin.	Puhdista ja asenna rullamoppi oikein kohdan MÄÄRÄAIKAISHUOLTO ohjeiden mukaisesti.
16	Ajopyörä on juuttunut.	Ajopyörä on takertunut tai juuttunut vieraiden esineiden takia.	Kierrä ja paina ajopyörää tarkistaaksesi, onko siinä kietoutuneita tai esteitä aiheuttavia vieraita esineitä. Jos vieraita esineitä löytyy, poista ne viipymättä. Jos ongelma jatkuu, ota yhteyttä asiakaspalveluun saadaksesi apua.

Nro	Toimintahäiriö	Mahdollinen syy	Ratkaisu
17	Mopin pesualusta on täynnä vettä, eikä sitä voi tyhjentää. Äänikehote ilmoittaa mopin pesualustan toimintahäiriöstä.	Likavesisäiliötä ei ole asennettu oikein.	Napauta likavesisäiliötä varmistaaksesi, että se on asennettu oikein.
		Likavesisäiliön tiivistystulppia ei ole asennettu oikein.	Varmista, että molemmat tiivistystulpat on asennettu oikein.
		Mopin pesualustaa ei ole asennettu oikein.	Tarkista, että mopin pesualusta on asennettu oikein.
		Mopin pesualustan pohja likaantuu.	Irrota ja pese mopin pesualustan pohja vedellä.
		Tarkista, juuttuuko kelluva pallo, kun mopin pesualustan pohjassa ei ole vettä.	Ota mopin pesualusta pois, jotta kelluva pallo voidaan asettaa takaisin paikalleen.
		OMNI-asema ei voi poistaa vettä normaalisti.	Aseta DEEBOT lataustelakkaan. Kun olet varmistanut, että laite latautuu, kaksoisnapauta  . Jos ongelma jatkuu, ota yhteyttä asiakaspalveluun saadaksesi apua.
		Vieraat esineet ovat tukkineet mopin pesualustan imuaukon.	Varmista, ettei mopin pesualustan imuaukossa ole vieraita esineitä.
		Äänivaroitus jatkuu, vaikka kaikki edellä mainitut ratkaisut on kokeiltu.	Sammuta telakka ja käynnistä se uudelleen. Jos ongelma jatkuu, ota yhteyttä asiakaspalveluun saadaksesi apua.
18	Likavesilaatikkon toimintahäiriö tai toistuva automaattinen pesu.	Likavesilaatikkossa on liikaa pölyä.	Irrota ja tyhjennä likavesilaatikko, huuhtelee se ja asenna se takaisin paikalleen. Jos ongelma jatkuu, ota yhteyttä asiakaspalveluun saadaksesi apua.
		Vesikaukalossa on liikaa pölyä.	Irrota ja tyhjennä vesikaukalo, huuhtelee se ja asenna se takaisin paikalleen. Jos ongelma jatkuu, ota yhteyttä asiakaspalveluun saadaksesi apua.

TEKNISET TIEDOT

Malli	DEX62
Nimellisyöttö	20 V === 2 A
Latausaika	Noin 3,5 h
Telakan malli	CH2497F
Nimellisyöttö	220–240 V 50–60 Hz
Nimellislähtö	20 V === 2 A
Nimellinen syöttövirta (lataus)	0,5 A
Teho (tyhjennys)	650W
Teho (kuumavesipesu-moppi)	1650 W
Taajuusalueet	2400–2483,5 MHz
Verkotettu varavirta	Alle 2,00 W

Langattoman moduulin lähtöteho on alle 100 mW.

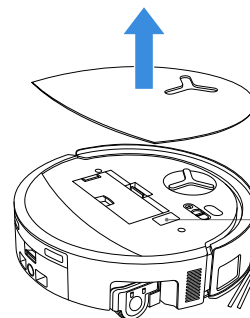
Tuotevaatimusten (toiminnallisuus ja käyttökokemus) perusteella tuotteissamme käytetään muuta kuin erittäin vähän virtaa kuluttavaa laitearkkitehtuuria, joten niissä ei ole pois päältä -tilaa eikä valmiustilaa. Kun kone on ladattu täyteen, se siirtyy verkkovalmiustilaan 20 minuutin kuluessa. Verkkovalmiustilan virrankulutus on 1,9 W

Huom: Teknisiä ja suunnittelua koskevia erittelyjä voidaan muuttaa tuotteen jatkuvan parantamisen vuoksi.

Tutustu muihin tarvikkeisiin osoitteessa <https://www.ecovacs.com>.

Hanki käyttöohjeen täysversio

Skannaa QR-koodi ja lataa käyttöohje mobiilikameraa käyttämällä.



Skannaa QR-koodi ja lataa käyttöohje mobiilikameraa käyttämällä.

ÖNEMLİ GÜVENLİK TALİMATLARI

ÖNEMLİ GÜVENLİK TALİMATLARI

Elektrikli bir Cihaz kullanırken, aşağıdakiler de dahil olmak üzere temel önlemlere her zaman uyulmalıdır:

BU CİHAZI KULLANMADAN ÖNCE TÜM TALİMATLARI OKUYUN BU TALİMATLARI SAKLAYIN

1. Bu Cihaz, 8 yaş ve üzeri çocuklar ve fiziksel, duyuusal veya zihinsel yetenekleri azalmış veya deneyim ve bilgi eksikliği olan kişiler tarafından, Cihazın güvenli bir şekilde kullanılmasına ilişkin gözetim veya talimat verildiği ve ilgili tehlikeleri anladıkları takdirde kullanılabilir. Çocuklar Cihaz ile oynamamalıdır. Temizlik ve kullanıcı bakımı gözetim altında olmayan çocuklar tarafından yapılmamalıdır.
2. Temizlenecek alanı boşaltın. Güç kablolarını ve Cihaza dolanabilecek küçük nesnelere zeminde kaldırmayın. Halı saçaklarını halı tabanının altına sıkıştırın ve perde ve masa örtüsü gibi eşyaları yerden kaldırın.
3. Temizlik alanında bir basamak veya merdiven

nedeniyle bir düşüş varsa, Cihazı kenardan düşmeden basamağı algılayabildiğinden emin olacak şekilde çalıştırmalısınız. Ünitenin düşmesini önlemek için kenara fiziksel bir bariyer yerleştirmek gerekebilir. Fiziksel bariyerin takılma tehlikesi oluşturmadığından emin olun.

4. Yalnızca bu kılavuzda açıklandığı şekilde kullanın. Yalnızca üretici tarafından önerilen veya satılan ataşmanları kullanın.
5. SADECE İÇ MEKANDA ev kullanımı içindir. Cihazı dış mekamlarda, ticari veya endüstriyel ortamlarda kullanmayın.
6. Toz kutusu ve/veya filtreler takılı olmadan kullanmayın.
7. Cihazı yanan mumların veya kırılabilir nesnelere bulunduğu bir alanda çalıştırmayın.
8. Saçları, bol giysileri, parmakları ve vücudun tüm kısımlarını açıklıklardan ve hareketli parçalardan uzak tutun.
9. Cihazı bir bebeğin veya çocuğun uyuduğu bir odada çalıştırmayın.
10. Aşırı sıcak veya soğuk ortamlarda kullanmayın ve saklamayın (-5°C /23°F'nin altında veya 40°C/104°F'nin üzerinde). Lütfen robotu 0°C/32°F'nin üzerindeki ve 40°C/104°F'nin

- altındaki sıcaklıklarda şarj edin.
11. Cihazı ıslak yüzeylerde veya durgun su bulunan yüzeylerde kullanmayın.
 12. Cihazın taş, büyük kağıt parçaları gibi büyük nesnelere veya Cihazı tıkayabilecek herhangi bir maddeyi çekmesine izin vermeyin.
 13. Cihazı benzin, yazıcı veya fotokopi makinesi toneri gibi yanıcı veya parlayıcı maddeleri çekmek için kullanmayın veya bunların bulunabileceği alanlarda kullanmayın.
 14. Cihazı sigara, kibrit, sıcak kül veya yangına neden olabilecek herhangi bir nesne gibi yanan veya tüten herhangi bir şeyi çekmek için kullanmayın.
 15. Emme girişine herhangi bir nesne koymayın. Emme girişi tıkalıysa kullanmayın. Girişi toz, tüy, saç veya hava akışını azaltabilecek herhangi bir şeyden uzak tutun.
 16. Güç kablosu hasar görmüşse, bir tehlikeyi önlemek için üretici veya servis temsilcisi tarafından değiştirilmelidir.
 17. Cihazı temizlemeden veya bakımını yapmadan önce güç anahtarını KAPATIN.
 18. CH2497F için uygun lityum akü tipi Maks. 4 hücreli, maks. nominal voltajı DC 14,4V, nominal

- kapasitesi 5.800 mAh olan aküdür. Akü, Cihaz atılmadan önce yerel yasa ve yönetmeliklere göre çıkarılmalı ve bertaraf edilmelidir.
19. Lütfen kullanılmış pilleri yerel yasa ve yönetmeliklere uygun olarak atın.
 20. Ciddi hasar görmüş olsa bile Cihazı yakmayın. Piller bir yangın sırasında patlayabilir.
 21. Cihaz, bu Kullanım Kılavuzundaki talimatlara uygun olarak kullanılmalıdır. Ecovacs Home Service Robotics, yanlış kullanımdan kaynaklanan herhangi bir hasar veya yaralanmadan sorumlu tutulamaz.
 22. Robot, yalnızca uzman kişiler tarafından değiştirilebilen piller içerir. Robotun pilini değiştirmek için lütfen Müşteri Hizmetleri ile iletişime geçin.
 23. Lütfen güç kaynağınızın voltajının OMNI İstasyonu üzerinde işaretli güç voltajıyla eşleştiğinden emin olun.
 24. Yalnızca üreticinin Cihazla birlikte verdiği orijinal şarj edilebilir pili ve OMNI İstasyonunu kullanın. Şarj edilemeyen pillerin kullanılması yasaktır.
 25. Güç kablosuna zarar vermemeye dikkat edin. Cihazı veya OMNI İstasyonunu güç kablosundan çekmeyin veya taşımayın, güç kablosunu bir

- tutamak olarak kullanmayın, güç kablosu üzerinde bir kapıyı kapatmayın veya güç kablosunu keskin kenarlardan veya köşelerden çekmeyin. Cihazı güç kablosunun üzerinden geçirmeyin. Güç kablosunu sıcak yüzeylerden uzak tutun.
26. Hasarlıysa OMNI İstasyonunu kullanmayın. Güç kaynağı hasarlı veya arızalıysa tamir edilmemeli ve artık kullanılmamalıdır.
 27. Hasarlı bir güç kablosu veya priz ile kullanmayın. Düzgün çalışmıyorsa, düşürülmüşse, hasar görmüşse, dışarıda bırakılmışsa veya suyla temas etmişse Cihazı veya OMNI İstasyonunu kullanmayın. Tehlikeleri önlemek için üretici veya servis temsilcisi tarafından onarılmalıdır.
 28. OMNI İstasyonunu temizlemeden veya bakımını yapmadan önce fiş prizden çıkarılmalıdır.
 29. Cihazı OMNI İstasyonundan çıkarın ve Cihazın atılması için pili çıkarmadan önce Cihazın güç anahtarını KAPATIN.
 30. OMNI İstasyonunu uzun süre kullanmayacağınız zaman lütfen fişini çekin.
 31. Robot uzun süre kullanılmayacaksa, depolama için robotu KAPALI konuma getirin ve OMNI İstasyonunun fişini çekin.

32. UYARI - Temiz depoya sadece temiz su ekleyin.

33. UYARI: Aküyü yeniden şarj etmek için yalnızca Cihazla birlikte verilen ayrılabilir besleme ünitesini CH2497F kullanın.

RF'ye maruz kalma gereksinimlerini karşılamak için, cihazın çalışması sırasında bu cihaz ile kişiler arasında 20 cm veya daha fazla bir ayırma mesafesi korunmalıdır.


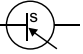
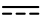


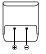

Uyumluluğu sağlamak için, bu mesafeden daha yakın çalıştırma tavsiye edilmez. Bu verici için kullanılan anten, başka bir anten veya verici ile aynı yere yerleştirilmemelidir.

Cihaz Güncelleme

Genellikle bazı cihazlar iki ayda bir güncellenir, ancak her zaman bu kadar kesin değildir.

Bazı cihazlar, özellikle de üç yıldan daha önce satışa çıkmış olanlar, sadece kritik öneme sahip bir güvenlik açığı bulunması ve sorunun giderilmesi halinde güncellenecektir.

Mevcut yazılım sürümünü kontrol etmek ve otomatik güncellemeleri etkinleştirmek için uygulamada Ayarlar > Robot Gelişmiş Ayarları > Robotunuz Hakkında > Güncelleme bölümüne gidin. Geçerli sürüm burada görüntülenir; sayfaya girmek için Güncelle'ye dokun ve etkinleştirmek için Otomatik Güncelleme'yi seçin.

	Dikkat: sıcak yüzey
	Kısa devre korumalı güvenlik izolasyon transformatörü
	Anahtarlama güç kaynağı
	Sadece iç mekan kullanımı içindir
	Doğru akım
	Alternatif akım
	Şarj etmeden önce talimatları okuyun.
	Şarj portunun polaritesi
	Zaman gecikmeli minyatür sigorta bağlantısı

Uzaktan gözetleme, kamuya açık olmayan, özel mülkiyet kapsamındaki yerlerde tamamen özel kullanımı içindir ve yalnızca kendini koruma ve kontrol amaçlıdır. Lütfen kullanım durumunda yerel veri koruma temelli yasal yükümlülüklerin farkında olun. Özellikle gizli niyetle ve/veya işveren tarafından haklı gerekçeler olmaksızın kamuya açık yerlerin gözetlenmesi yasaktır. Haklı olmayan bu tür kullanımların riski ve sorumluluğu yalnızca kullanıcıya aittir.

Avrupa Birliđi Uyum Beyanı Atık Elektrikli ve Elektronik Ekipman Kullanıcıları için Bertaraf Bilgileri



Ürün veya ambalajı üzerindeki bu sembol, kullanılmış elektrikli ve elektronik ürünlerin ayrıştırılmamış evsel atıklarla karıştırılmaması gerektiğini gösterir. Uygun işlem için, atık ekipmanınızı belirlenmiş toplama noktalarına iade etmeyi ayarlayarak bertaraf etmek sizin sorumluluğunuzdadır.

Bu ürünün doğru şekilde imha edilmesi, değerli kaynakların korunmasına yardımcı olacak ve aksi takdirde uygunsuz atık işleminden kaynaklanabilecek insan sağlığı ve çevre üzerindeki olası olumsuz etkileri önleyecektir.

Kullanılmış cihazınızı iade etmek için lütfen iade ve toplama sistemlerini kullanın veya ürünün satın alındığı perakendeciyle iletişime geçin; bu işlem ücretsizdir. Size en yakın belirlenmiş toplama noktasının ayrıntıları için lütfen yerel yetkilinizle iletişime geçin. Ulusal mevzuatınıza uygun olarak, bu atığın yanlış bertarafı için cezalar uygulanabilir.

Kullanım ömrü dolmuş piller için Bertaraf Bilgileri



Bu sembol, kullanım ömrü sona eren pil ve akümülatörlerin ayrıştırılmamış evsel atıklarla karıştırılmaması gerektiği anlamına gelir. Katılımınız, pil ve akümülatörlerin çevre ve insan sağlığı üzerindeki etkisini en aza indirme çabasının önemli bir parçasıdır. Uygun geri dönüşüm için bu ürünü veya içerdiği pilleri veya akümülatörleri tedarikçinize veya ücretsiz olarak belirlenmiş bir toplama noktasına iade edebilirsiniz.

Bu ürünün doğru şekilde imha edilmesi, değerli kaynakların korunmasına yardımcı olacak ve aksi takdirde uygunsuz atık işleminden kaynaklanabilecek insan sağlığı ve çevre üzerindeki olası olumsuz etkileri önleyecektir. Ulusal mevzuatınıza uygun olarak, bu atığın yanlış bertarafı için cezalar uygulanabilir.

Kullanılmış piller ve akümülatörler için ayrı toplama sistemleri bulunmaktadır.

Lütfen pilleri ve akümülatörleri yerel atık toplama/geri dönüşüm merkezlerinde doğru şekilde bertaraf edin.

Bazı tehlikeli maddelerin kullanımının kısıtlanması (RoHS) Direktifi

Ecovacs Home Service Robotics Co., Ltd. işbu belge ile parçalar (kablolar, kordonlar vb.) dahil olmak üzere ürünün tamamının RoHS Direktifi 2011/65/EU ve elektrikli ve elektronik ekipmanlarda belirli tehlikeli maddelerin kullanımının kısıtlanmasına ilişkin tadil edilmiş Komisyon Yetkilendirilmiş Direktifi (AB) 2015/863 ("RoHS recast" veya "RoHS 2.0") gerekliliklerini karşıladığını beyan eder.

Radyo Ekipmanları Direktifi

Ecovacs Home Service Robotics Co., Ltd. işbu belge ile bu bölümde listelenen ürünün 2014/53/EU sayılı Radyo Ekipmanları Direktifinin temel gerekliliklerine ve diğer ilgili hükümlerine uygun olduğunu beyan eder.

Avrupa Yetkili Temsilcisi:



ECOVACS Europe GmbH
Holzstrasse 2 | D-40221 Düsseldorf | Germany

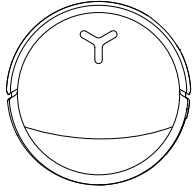
Ecovacs Home Service Robotics Co., Ltd. işbu belge ile, ürünün 2011/65/EU sayılı RoHS Direktifi ve 2014/53/EU sayılı Radyo Ekipmanları Direktifi olan 2015/863 sayılı Komisyon Yetkilendirilmiş Direktifi (AB) tadilatının temel gerekliliklerine ve diğer ilgili hükümlerine uygun olduğunu beyan eder.

Uygunluk beyanı aşağıdaki adresten görülebilir:

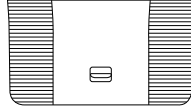
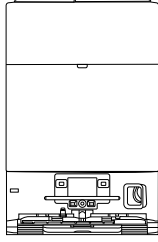
<https://www.ecovacs.com/global/compliance>

PAKET BİLEŞENLERİ

1 Paket İçeriği



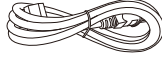
DEEBOT



Taban



Kullanım
Kılavuzu



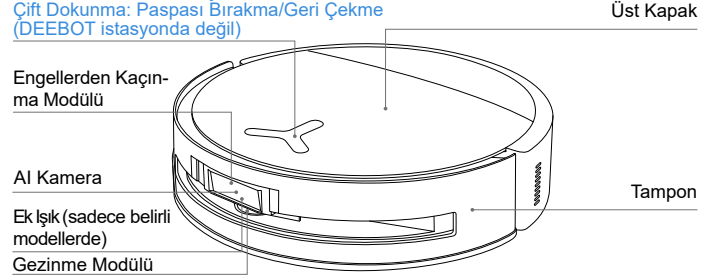
Güç Kablosu

* Bu kılavuzdaki şekiller sadece referans amaçlıdır ve cihazdan farklı olabilir. Ürün tasarımı ve teknik özellikleri önceden haber verilmeksizin değiştirilebilir.

2 Ürün Diyagramı

1. DEEBOT Önden Görünüm

Basın: Başlat/Duraklat/Devam Et olarak değiştir
3 sn. Kısa Basma: İstasyona Dön
Çift Dokunma: Paspası Bırakma/Geri Çekme
(DEEBOT istasyonda değil)



2. DEEBOT Alttan Görünüm

Düşme Önleyici Sensörler

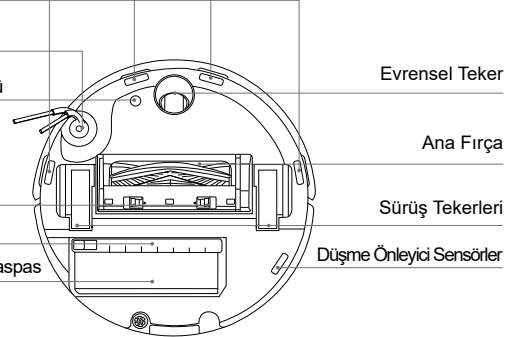
Yan Fırça

Halı Algılama Sensörü

Fırça Serbest Bırakma
Düğmesi

Damlama Tepsisi

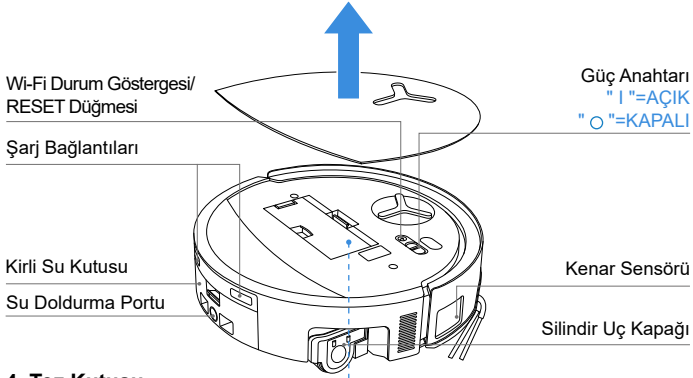
Değiştirilebilir Silindirik Paspası



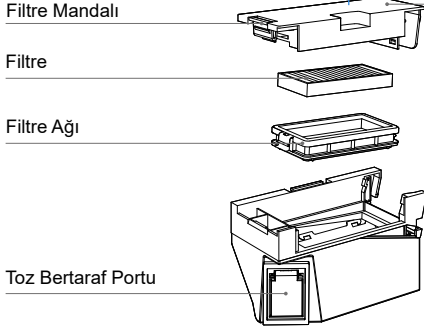
3. DEEBOT'un İçinde (Üst Kapağın Altında)

RESET Düğmesi

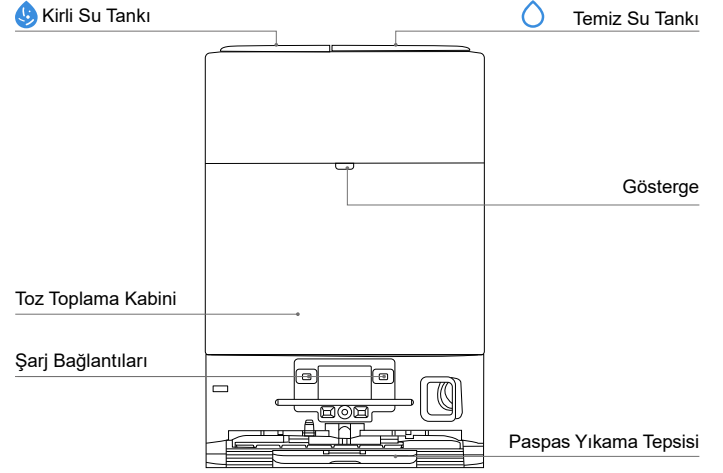
Ağ Kurulumu: RESET düğmesine basın ve sesli uyarıları izleyerek ağı kurun.
Varsayılan ayarları geri yükleme: RESET düğmesine basıp 5 saniye basılı tutun.
Sesli uyarıyı duyduktan sonra, başlangıç müziği çalacak ve DEEBOT varsayılan ayarlarına geri dönecektir. Sıfırlama, mevcut harita ve temizlik ayarlarını siler.
Lütfen dikkatli kullanın.



4. Toz Kutusu



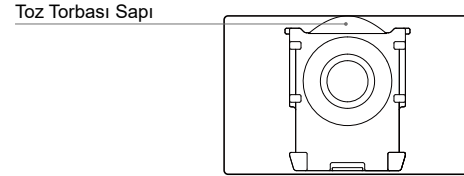
5. OMNI İstasyonu



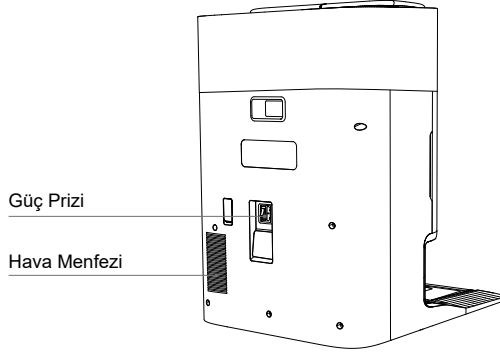
Not:

- Kırmızı yanıp sönüyor: Nedenini öğrenmek için ECOVACS HOME uygulamasını kontrol edin.
- DEEBOT şarj olmazsa, lütfen şarj bağlantılarını temiz ve kuru bir bezle silin.

6. Toz Torbası



7. OMNI İstasyonu (Arka)



8. Gösterge Işığı

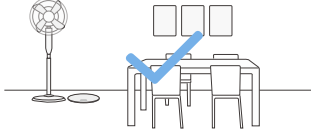
Gösterge	Işık Efektı	Durum
DEEBOT	Beyaz Yanıp Sönme	Şarj Etme
	Sabit Beyaz	Tam Şarj Oldu/Çalışıyor
	Sabit Kırmızı	Pil Şarj Düzeyi Düşük
	Yanıp Sönen Kırmızı	Arıza
İstasyon	Sabit Beyaz	Bekleme/Çalışma
	Yanıp Sönen Kırmızı	Arıza
	Dışarı Çıkar	Güç Kesintisi/Derin Uyku Modu

9. Sensörlere Genel Bakış

Adı	Fonksiyonel Tanım
Gezinme Modülü	DEEBOT ve çevresindeki nesnel arasındaki mesafeyi yansıma zaman farkına dayalı olarak ölçmek için Laser Menzilleme uygulandır ve modülün DEEBOT hareket ederken etraftaki nesnelere göre haritalama yapmasını sağlar. Algılama aralığı 10 m'dir.
Engellerden Kaçınma Modülü	Çevredeki nesnelere ile DEEBOT arasındaki mesafeyi ölçmek için Kızılötesi Menzilleme ve benzeri üçgenler uygulandır. Sensör yakınlarda bir nesne algıladığında, DEEBOT nesneye çarpmamak için otomatik olarak bir dönüş yapacaktır. Algılama aralığı 0,3 m'dir.
Düşme Önleyici Sensörler	Kızılötesi Mesafe Ölçümü ile, DEEBOT'un alt kısmı ile zemin arasındaki mesafe, alt kısımdaki kızılötesi sensörler tarafından algılanır. DEEBOT, önünde merdivenler olduğunda (örneğin beyaz yüzeyin yüksekliği 55 mm veya daha fazla olduğunda veya siyah yüzeyin yüksekliği 30 mm veya daha fazla olduğunda) ve belirlenen yükseklik önceden ayarlanmış yüksekliği aştığında, düşmeyi önleme özelliğini etkinleştirerek ilerlemeyecektir.
Halı Algılama Sensörü	Sensör, enerjisi halı tarafından emilecek ve yankılanan enerjinin eşikten daha düşük olmasına neden olacak 300 kHz ultrason yayar. DEEBOT böylece halının varlığını tespit eder. ECOVACS laboratuvarında, piyasada bulunan 50'den fazla halı türü tanımlanmıştır.
Çarpışma Önleyici Sensör	Optokuplör Anahtar prensibi ile DEEBOT, çarpışmak üzereyken engellerden kaçınacaktır.
Kenar Sensörü	Kızılötesi Menzilleme ile kenar sensörü, DEEBOT ile yan taraftaki nesnel arasındaki mesafeyi algılar. Sağ tarafta bir duvar veya engeller olduğunda, DEEBOT herhangi bir noktayı kaçırılmamak ve çarpışmaları önlemek için kenar temizliği yapar.
AI Kamera	Çevredeki ortamın görüntülerini toplamak için yapay zeka kameralarını kullanır. Video kaydını gerçekleştirir. MIC ile etkileşim sayesinde uzaktan görüntülü görüşme gerçekleştirilebilir (Bazı modellerde).

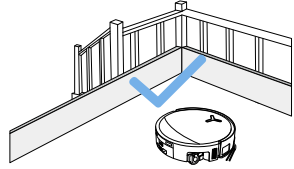
İLK KURULUM VE KULLANIM

1 Temizlik Öncesi Notlar



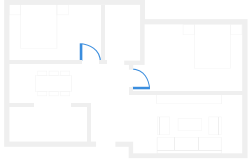
Temizlenecek Alanı Düzenleyin

Mümkün olan maksimum temizlik alanı için, DEEBOT'u kullanmadan önce masa, sandalye ve ayaklı vantilatör gibi mobilyaları uygun yerlerine koyun ve tartı gibi alçakta duran eşyaları kaldırın.



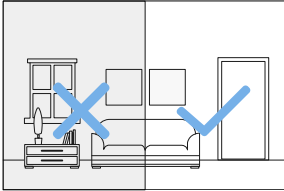
DEEBOT'un Düşmesini Önleyin

DEEBOT'un kenardan düşmesini önlemek için merdivenler ve basamaklar gibi bir düşüş noktasının kenarına fiziksel bir bariyer yerleştirin.



Kapıları Açın ve DEEBOT'un Keşfetmesine Yardımcı Olun

DEEBOT'un ilk kullanım sırasında evinizi tamamen keşfetmesine yardımcı olmak için tüm oda kapılarını açın.



Yeterli Aydınlatma Sağlayın

DEEBOT'un yapay zeka kamerasının ayakkabılar, çoraplar ve kablolar gibi engellerden doğru bir şekilde kaçınmasını desteklemek için tüm temizlik alanlarının iyi aydınlatıldığından emin olun.



Temizlik verimliliğini artırmak için kablolar, giysiler ve terlikler dahil olmak üzere eşyaları zeminden kaldırın.



Ürünü püsküllü kenarları olan bir halı üzerinde kullanmadan önce, lütfen püskülleri halının altına katlayın.



Gezinti modülünü engellemek için lütfen koridorlar gibi dar alanlarda durmayın.



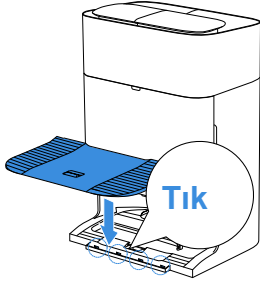
DEEBOT'un görüşünün netliğini sağlayın ve yapay zeka kamerası lensinin çizilmesini veya parmak izleri veya yağlı lekelerle kirlenmesini önleyin. Kamerası silmek için temizlik maddeleri, deterjanlar veya spreyler yerine temiz, yumuşak bir bez kullanın.

2 Hızlı Başlangıç

Kullanmadan önce tüm koruyucu malzemeleri çıkarın.

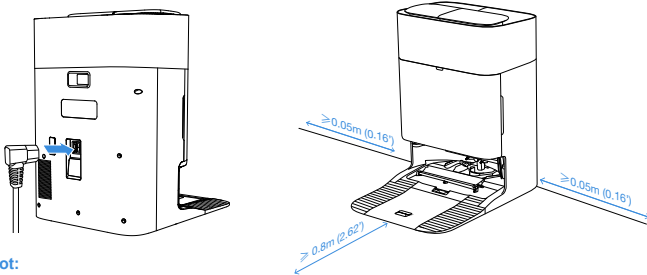
1. Kurulum

"Tık" sesi kurulumun doğru olduğunu gösterir.



2. İstasyonu Monte Edin ve Yerleştirin

OMNI istasyonunu düz, sert bir yüzey üzerinde duvara yaslayın. Her iki tarafa 0,05 m ve öne 0,8 m mesafede eşya koymayın.



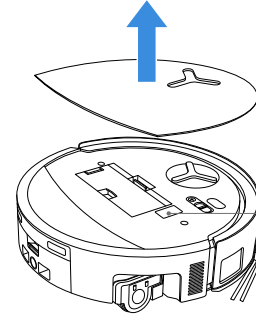
Not:

- İstasyonun yakınında ayna ve yansıtıcı süpürgecik çizgileri gibi yansıtıcı nesnelere varsa, bu tür nesnelere alt 14 cm'lik kısmı örtülmelidir.
- İstasyonu doğrudan güneş ışığı altına veya yüksek sıcaklıktaki ortamlara yerleştirmeyin.
- Daha iyi kullanıcı deneyimi için istasyonu güçlü Wi-Fi sinyali olan bir yere yerleştirin.
- Cihazı ıslak yüzeylerde veya durgun su bulunan yüzeylerde kullanmayın.
- DEEBOT ve istasyonu nemli bir bezle silmeyin veya herhangi bir sıvı kullanmayın.

3 ECOVACS HOME UYGULAMASINI indirin

Mevcut tüm özelliklerden yararlanmak için DEEBOT'unuzu ECOVACS HOME Uygulaması aracılığıyla kontrol etmeniz önerilir.

Uygulamayı indirmek için üst kapağın altındaki QR kodunu tarayın.


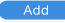


Veya uygulamayı indirmek için App Store veya Google Play'de "ECOVACS HOME" araması yapın.



Not: Kayıt, oturum açma ve bağlantı işlemlerini tamamlamak için Uygulamadaki talimatları izleyin.

4 DEEBOT'u uygulamaya bařlayın

Bluetooth ile: DEEBOT'u ve cep telefonunuzun Bluetooth özelliđini açın. Uygulamanın cep telefonu Bluetooth izni almasına izin verin. DEEBOT üzerindeki QR Kodunu taramak için üzerine dokunun veya yakındaki DEEBOT'u bulmak için Uygulamada  veya  düğmesine dokunun.


Wi-Fi ile: DEEBOT'u Uygulama sayfasındaki komut istemlerine göre diđer yöntemlerle Uygulamaya bařlamayı da seçebilirsiniz.

Not: Daha iyi bir deneyim için lütfen Bluetooth ile bařlayın.

Wi-Fi Ağ Gereksinimleri:

- 2.4 GHz veya 2.4/5 GHz karma ağ kullanıyorsunuz.
- Yönlendiriciniz 802.11b/g/n ve IPv4 protokolünü destekler.
- VPN (Sanal Özel Ağ) veya Proxy Sunucusu kullanmayın.
- Gizli bir ağ kullanmayın.
- WEP EAP (Kurumsal Kimlik Doğrulama Protokolü) desteklenmez.
- Kuzey Amerika'da 1-11 numaralı Wi-Fi kanallarını ve Kuzey Amerika dışında 1-13 numaralı kanalları kullanın (yerel düzenleyici kuruma başvurun).
- Bir ağ genişletici/tekrarlayıcı kullanıyorsanız, ağ adı (SSID) ve parola birincil ağınzdakilerle aynıdır.
- Lütfen yönlendiricinizde WPA2'yi etkinleştirin.

Wi-Fi Gösterge Işıđı

	Yavaş Yanıp Sönen Beyaz	Wi-Fi bařlantısı kesildi
	Hızlı Yanıp Sönen Beyaz	Bařlanılıyor
	Sabit Beyaz	Wi-Fi'ye bařlandı

Uzaktan başlatma, 2D/3D harita görüntüleme ve kontrol ayarları ve kişiselleştirilmiş temizlik (Cihaza bađlı olarak) gibi akıllı özelliklerin sürekli güncellenen ECOVACS HOME Uygulamasını gerektirdiđini lütfen unutmayın. Cihazı kontrol etmek açısından ECOVACS HOME Uygulamasının belirli özelliklerini kullanabilmeniz için önce bazı temel ve gerekli bilgilerinizi işleyebilmemiz amacıyla Gizlilik Politikamızı ve Kullanıcı Sözleşmemizi kabul etmeniz gerekir. Gizlilik Politikamızı ve Kullanıcı Sözleşmemizi kabul etmiyorsanız, bu özellikler kullanılamayacaktır. Ancak, bu cihazın temel özelliklerini manuel çalıştırma için kullanmaya devam edebilirsiniz.

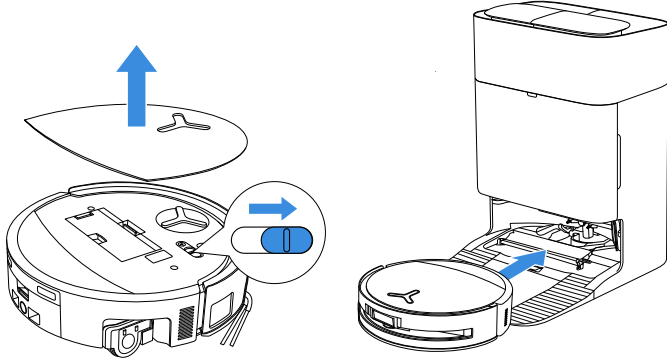
Ağ Arayüzü Bilgileri

Adı	Açıklama
Kızılötesi arayüz	Kızılötesi arayüz varsayılan olarak kapalıdır ve robot şarj istasyonundayken etkinleştirilir. DEEBOT şarj istasyonundayken, kızılötesi arayüz aracılığıyla şarj istasyonu ile iletişim kuracaktır.
Bluetooth	Ağ kurulum işlemi sırasında robotu ağa bařlamak için Bluetooth'u etkinleştirin. Bluetooth, yapılandırma ve güvenli veri etkileşimi için GAP1800, GATT 1801, 8888 hizmetini kullanır.
Wi-Fi*	Robot ve uygulama arasında veri aktarımını kolaylaştırarak, robotun uygulama üzerinden kontrol edilmesini sađlayın.
ECOVACS HOME Uygulaması	ECOVACS ürünleri ağ kurulumu, haritalama ve temizleme modu seçimi (her ürüne özel) gibi akıllı işlevler sunar. Bu özelliklerden yararlanmak için kullanıcıların resmi ECOVACS Home Uygulamasını indirmeleri ve kullanmaları gerekir.

* DEEBOT serisi robotik süpürgeler evsel temizlik senaryoları için tasarlanmıştır. Çalışması için bir ev Wi-Fi ağı gereklidir ve anti-DDOS korumasının kullanıcılar tarafından rota ayarları aracılığıyla yapılandırılması gerekir.

5 DEEBOT'u Açma ve Şarj Etme

DEEBOT'un kapağının altındaki güç anahtarını açın (" I " = ON, " O " = OFF), ve DEEBOT'u güç kaynağına bağlı istasyonun önüne yerleştirin, sonra DEEBOT'u istasyona geri götürün.

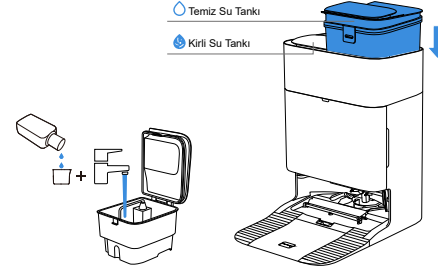


Not:

- DEEBOT kapalıyken şarj edilemez.
- Temizlikten sonra, bir sonraki temizlik seansına hazır olduğundan emin olmak için DEEBOT'un açık ve şarjda tutulması önerilir.
- Temizliğe lütfen istasyondan başlayın. Temizlik esnasında istasyonu hareket ettirmeyin.

6 Temiz Su Tankını Doldurun

Temiz su tankını temiz su ile doldurun. Şişe kapağını kullanarak 1:200 seyreltme oranında uygun miktarda temizlik çözümü ekleyin. Tank kapağını sıkıca kapatın, hafifçe çalkalayarak karıştırın ve kullanın.



Not:

- Temiz su tankı dolduğunda (yaklaşık 4 litre), bir kapak temizlik çözümü (yaklaşık 20 ml) ekleyin.
- Sıcak su eklemeyin, su tankının deformasyonuna neden olabilir.
- Su tankının dışında su artıkları kalmışsa, tekrar kullanıma almadan önce yumuşak ve kuru bir bezle silin.
- Ürüne ECOVACS resmi olmayan temizlik çözeltileri eklemeyin, aksi takdirde üründe hasara neden olabilir.
- Su tankının içindeki su artıkları, fabrika testlerinden kalmaz. Lütfen rahatlıkla kullanın.

7 DEEBOT'u çalıştırın

1. Haritalandırmayı başlat


İlk kez bir harita oluştururken, bazı küçük sorunlarda yardımcı olmak için lütfen DEEBOT'u takip edin.

Örneğin, DEEBOT mobilyaların altına sıkışabilir. Lütfen aşağıdaki çözümlere bakın:


- 1 Mümkünse alçak mobilyaları yükseltin;
- 2 Mobilyaların altına kapsayın.

2. Temizliği Başlat


- DEEBOT'un su tankı, istasyonda otomatik olarak yeniden doldurulur. Manuel yeniden doldurma gerekli değildir.
- DEEBOT, paspaslama yaparken zemin tiplerini tanıır ve halılarla karşılaştığında silindir paspası otomatik olarak kaldırabilir. Lütfen DEEBOT'u shaggy halılarda veya 10 mm'den uzun iplikli halılarda kullanmayın. Temizlik işlemi sırasında lifleri 10 mm'den uzun olan Shaggy halıları (Tüylü halılar) katlamamız önerilir. Lütfen ECOVACS HOME uygulamasında bir sanal sınır belirleyin.

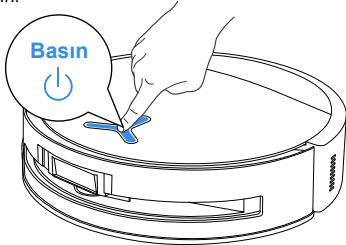
Lütfen DEEBOT'un istasyonda olduğundan ve ilk kez temizlemeden önce tamamen şarj edildiğinden emin olun. Başlatmak için DEEBOT üzerindeki  düğmesine dokunun. Başlatmak için ECOVACS HOME Uygulamasını da kullanabilirsiniz.

3. Duraklat


Çalışırken duraklatmak için DEEBOT üzerindeki  düğmesine dokunun. DEEBOT'u duraklatmak için ECOVACS HOME Uygulamasını da kullanabilirsiniz.

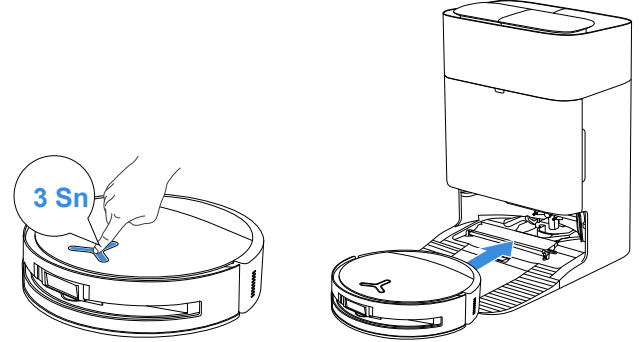
4. Uyandır

Bir süre durakladıktan sonra DEEBOT üzerindeki tüm gösterge ışıkları sönecektir. DEEBOT'u uyandırmak için,  düğmesine kısa süreli basın veya ECOVACS HOME uygulamasını kullanın.



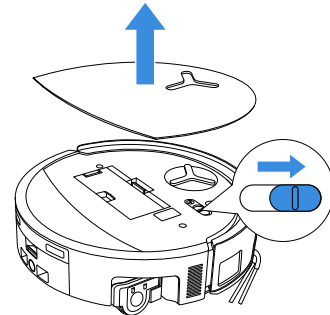
5. İstasyona Dön

DEEBOT'u çağırarak için ECOVACS HOME Uygulamasını kullanın ya da DEEBOT'un şarj için istasyona dönmesini sağlamak üzere DEEBOT üzerindeki  düğmesini 3 saniye basılı tutun.



6. Derin Uyku Modu

DEEBOT, pili korumak için yaklaşık 10 saat boyunca istasyonun dışında kalırsa derin uyku moduna girecektir. DEEBOT'u uyandırmak için lütfen KAPATIN ve AÇIN. Yanıt vermezse, DEEBOT'u şarj etmek için istasyona yerleştirin.



DÜZENLİ BAKIM

Bakım Sıklığı

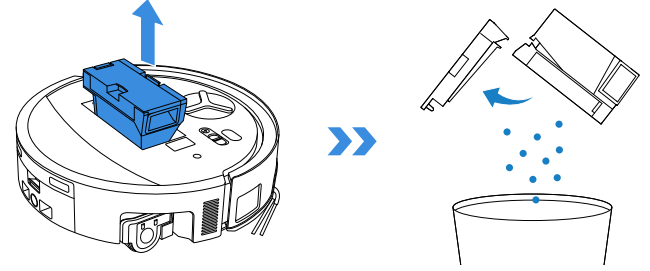
DEEBOT Parça	Bakım Sıklığı	Değiştirme Sıklığı
Yıkabilir Silindir Paspas	/	Her 1-2 ayda bir
Kirli Su Kutusu	Her hafta	/
Damlama Tepsisi	Her hafta	/
Toz Torbası	/	Uygulama istediğinde
Yan Fırça	Her 2 haftada bir	Her 3-6 ayda bir
Ana Fırça	Her hafta	Her 6-12 ayda bir
Filtre	Her hafta	Her 3-6 ayda bir
Evrensel Teker Düşme Önleyici Sensörler Kenar Sensörü Tampon DEEBOT'taki Şarj Bağlantıları OMNI İstasyonundaki Şarj Bağlantıları Gezinme Modülü Engellerden Kaçınma Modülü AI Kamera	Yaklaşık her ay	/
Temiz Su Tankı	Her 3 ayda bir	/
Kirli Su Tankı	Her ay	/
Toz Toplama Kabini	Her ay	/
İstasyonun Gövdesi ve Tabanı	Her ay	/
Paspas Yıkama Tepsisi	Her 5 ayda bir	/

ECOVACS HOME Uygulamasında veya <https://www.ecovacs.com> adresinde daha fazla aksesuar keşfedin.

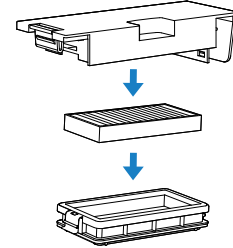
DEEBOT Bakımı

1 Toz Kutusu ve Filtrenin Bakımını Yapın

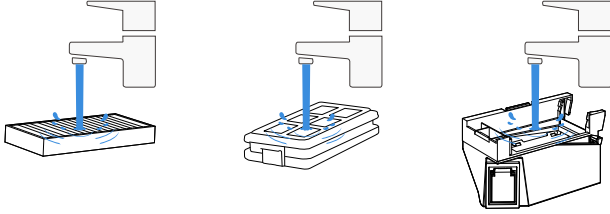
1. Toz kutusunu çıkarın ve boşaltın.



2. Filtre ağını açın ve filtreyi çıkarın.



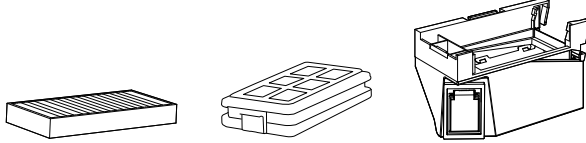
3. Toz kutusunu ve filtreyi suyla durulayın ve su damlacıklarını silkeleyin.



Not:

- Lütfen filtreyi gösterildiği gibi suyla durulayın.
- Filtreyi temizlemek için parmak veya fırça kullanmayın.

4. Toz kutusunu ve filtreyi hava ile kurutun.



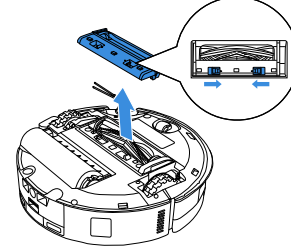
Not: Kullanmadan önce toz kutusu bileşenlerini tamamen kurulayın.

2 Ana Fırça ve Yan Fırçanın Bakımını Yapın

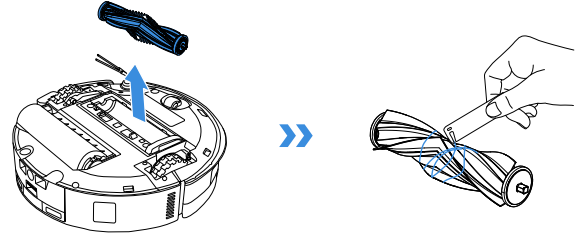
Ana Fırçayı Temizleme

1. Ana fırçanın kapağını çıkarın.

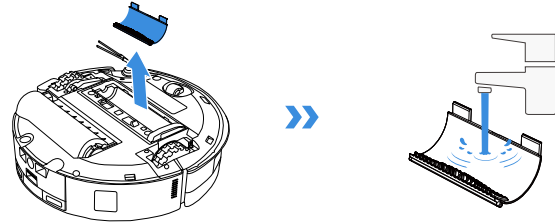
Not: DEEBOT'u ters çevirmeden önce kirlı su tankında ve damlama tepesinde kalan suyu lütfen boşaltın.



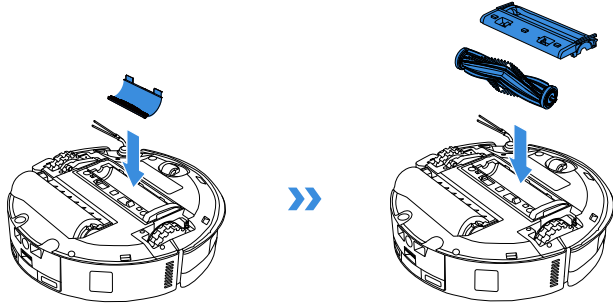
2. Ana fırçayı çıkarın ve temizleyin.



3. Fırça tarağını çıkarın, temizleyin ve kurulayın.

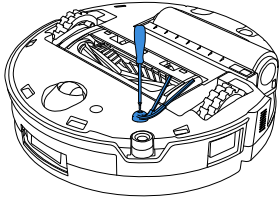


4. Fırça tarağını, ana fırçayı ve kapağı takın.




Yan Fırçayı Temizleyin

Bir tornavida kullanarak yan fırçayı çıkarın ve temizleyin.



3 Silindir Paspasın Bakımı

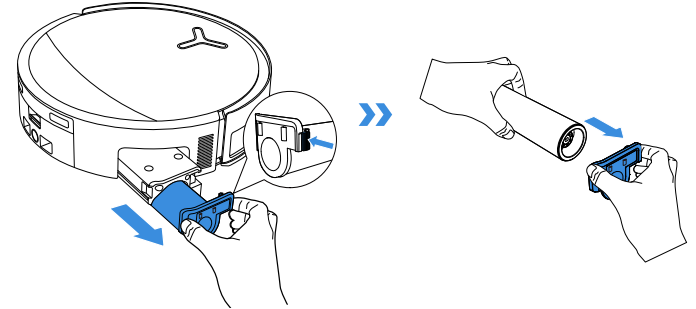
Silindir Paspası temizleyin

1. Silindir paspas bileşenini serbest bırakmak için  düğmesine iki kez dokunun.

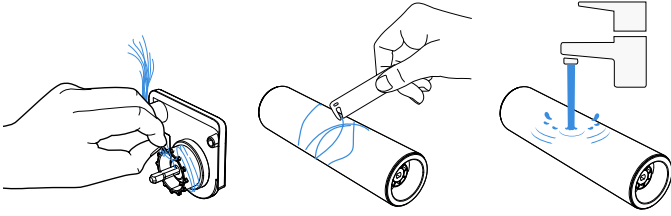


Not: Silindir paspas bileşenine zarar verebileceğinden, bu durum silindir paspas bileşenine zarar verebilir.

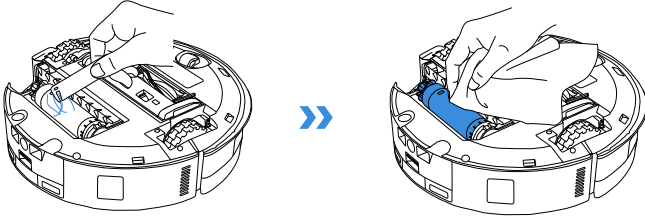
2. Silindiri çıkarmak için yanal kilit açma düğmesine basın.




3. Silindir paspası temizleyin.

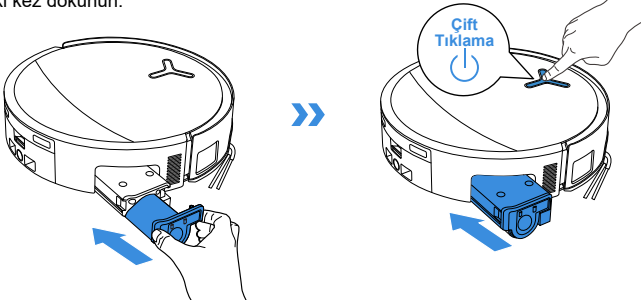


4. Silindirin içini temizleyin.



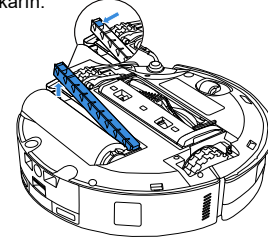
Not: DEEBOT'u su ile yıkamayın.

5. Silindir paspası silindir uç kapağının içine itin ve geri çekmek için  düğmesine iki kez dokunun.



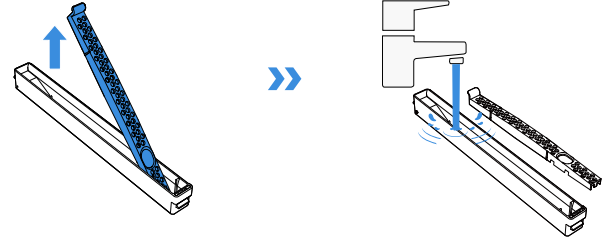
4 Damlama Tepsisinin Bakımı

1. Damlama tepsisini çıkarın.

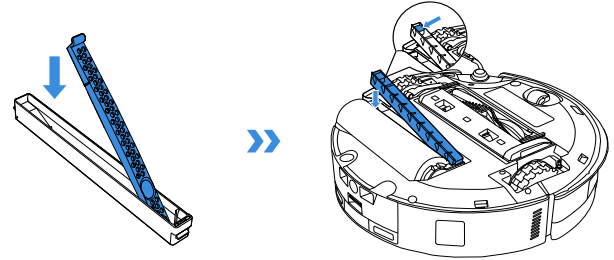


Not: DEEBOT kurutma modunda değilken çevrildiğinde az miktarda artık su dışarı sızabilir.

2. Damlama tepsisi bileşenlerini çıkarın ve temizleyin.

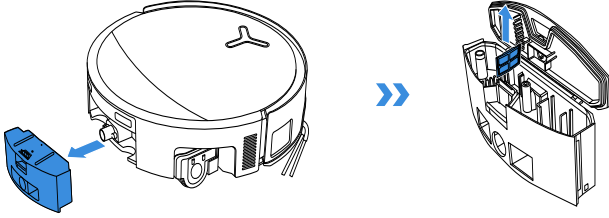


3. Lütfen damlama tepsisi filtre bileşenlerini şekilde gösterildiği gibi takın.

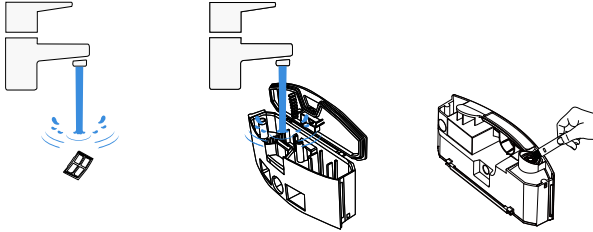


5 Kirlı Su Kutusunun Bakımını Yapın

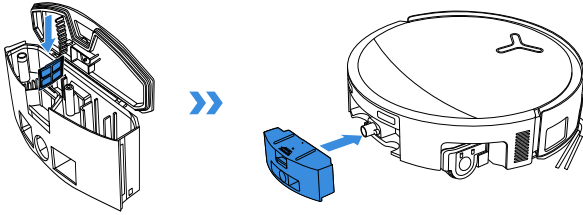
1. Kirlı su kutusunu ve filtre ađını ıkarn.



2. Filtre ađını, kutuyu ve pis su ıkıřını temizleyin.



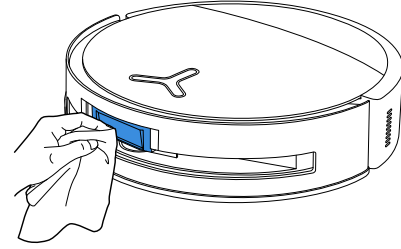
3. Filtreyi tekrar takın, sıkıca bastırın ve ardından kirlı su kutusunun kapađını tekrar takın.



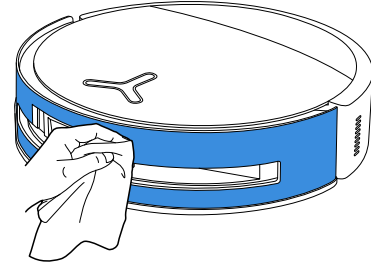
Sıkı bir sızdırmazlık sađlamak iin kirlı su kutusu kapađını, dzlemi kutunun st kenarıyla tamamen aynı hizaya gelene kadar ynlendirilen ynde sıkıca bastırın.

6 Diđer Bileřenlerin Bakımını Yapın

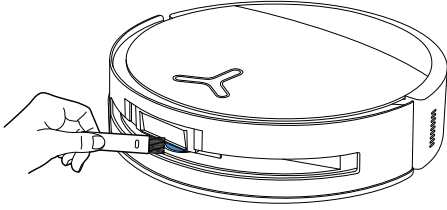
Engelden Kaınma Modl Lensini Temizleyin



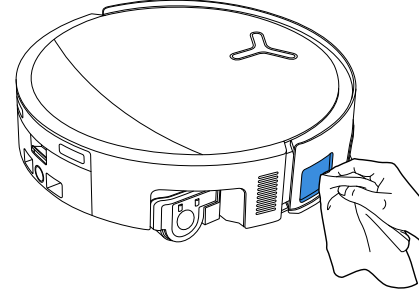
Tamponu Temizleyin



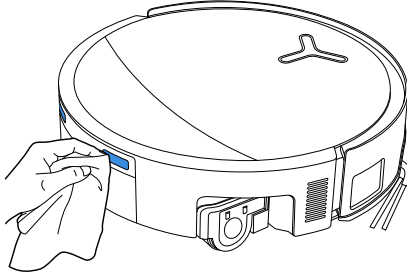
Gezinme Modülünü Temizleyin



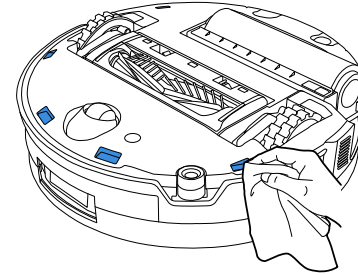
Kenar Sensörünü Temizleyin



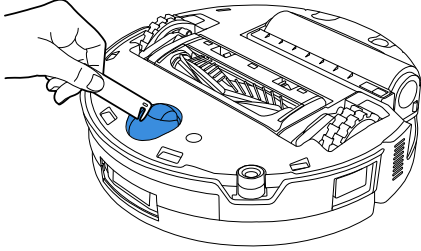
Şarj Bağlantılarını Temizleyin



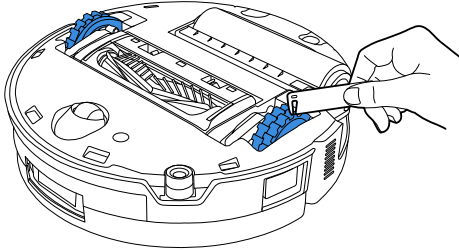
Düşme Önleyici Sensörleri Temizleyin



Evrensel Tekerı Temızleyın



Sürüş Tekerleklerini Temızleyın



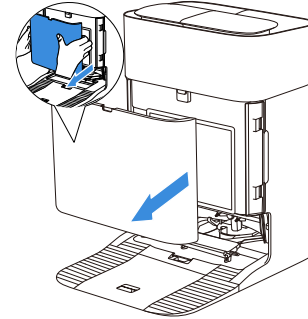
Not:

- ECOVACS HOME Uygulamasında veya <https://www.ecovacs.com> adresinde daha fazla aksesuar keşfedin.
- Bileşenleri temiz, kuru bir bezle silin. Asla ıslak bez kullanmayın. Temizlik spreyleri veya deterjanlar kullanmayın.

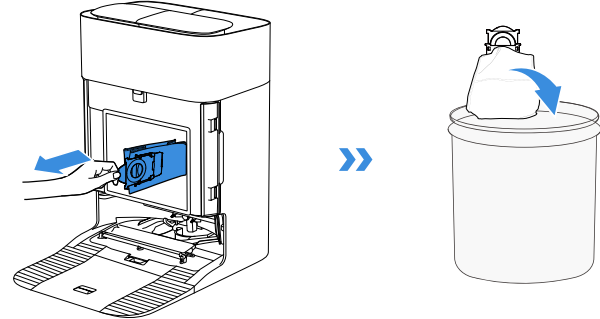
İstasyon Bakımı

1 Toz Kutusunun Bakımını Yapın

1. Toz toplama kabini kapağını çıkarın.

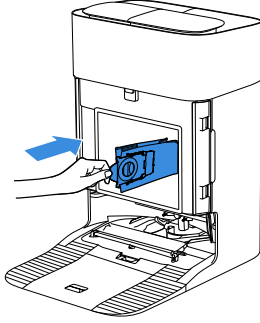


2. Tek kullanımlık toz torbasını ok yönünde çıkarıp atın.

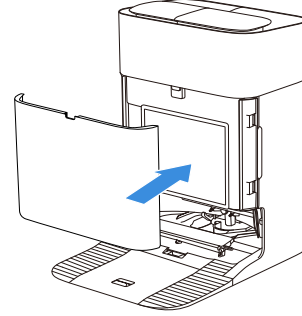


Not: Toz torbasını çıkarmak için Tutamağı tutun, böylece toz sızıntısı etkili bir şekilde önlenebilir.

3. Toz toplama kabinini kuru bez ile temizleyin ve yeni bir toz torbası takın.

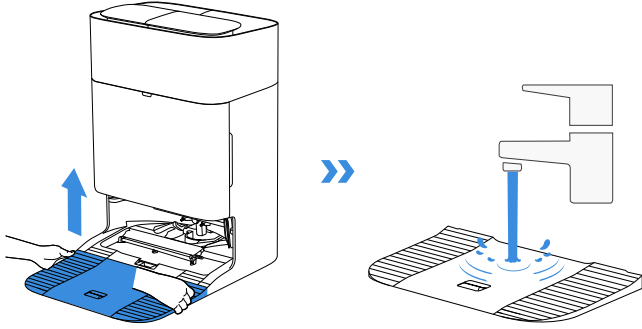


4. Toz toplama kabini kapağının üst mandalını yuvaya yerleştirin ve ardından uygun sızdırmazlık sağlaması amacıyla aşağı doğru bastırın.

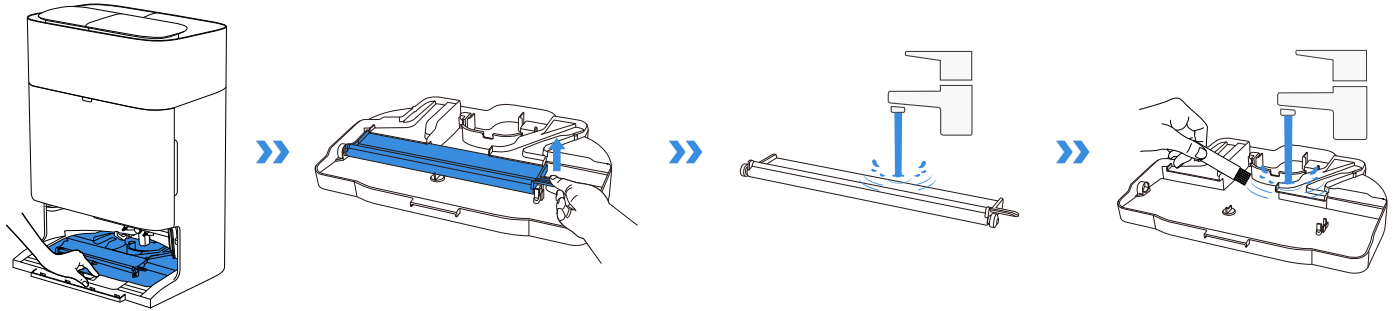


2 Paspas Yıkama Tepsisinin Bakımını Yapma

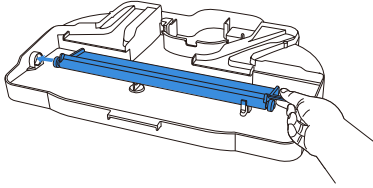
1. İstasyon tabanını çıkarın ve temizleyin.



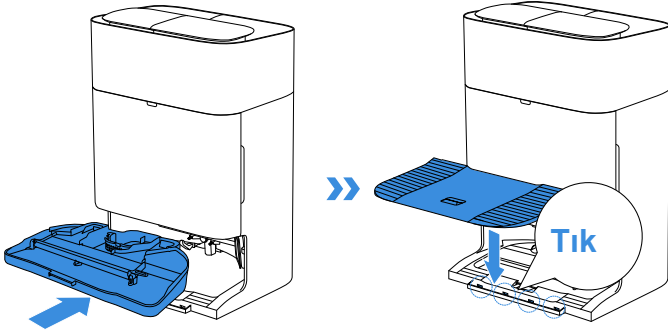
2. Paspas yıkama tepsisini ve ıslatma tepsisini çıkarın ve temizleyin.



3. Islatma tepsisini takın.



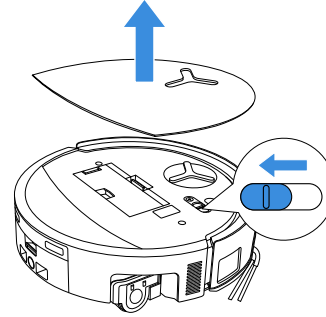
4. Paspas yıkama tepsisini ve tabanını takın.



Not: Arızayı önlemek için lütfen tepsiyi ve tabanı doğru şekilde takın.

3 Depolama

Lütfen depolamadan önce DEEBOT'u tamamen şarj edin ve kapatın. Pilin aşırı deşarj olmasını önlemek için lütfen her 1,5 ayda bir şarj edin.



! Lütfen DEEBOT'un KAPALI durumdayken şarj olamayacağını unutmayın.

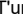
Not:

- DEEBOT temizlik görevini tamamladıktan sonra, bir sonraki temizlik seansına daha iyi hazırlanmak için kapatılmaması, şarjda tutulması önerilir.
- Pilin aşırı deşarj olması veya uzun süre kullanılmaması durumunda DEEBOT şarj olmayabilir. Yardım için lütfen ECOVACS ile iletişime geçin. Pili kendi başınıza sökmeyin.
- Ürünü uzun süre kullanmayacaksanız, kirli su kutusunu, su tanklarını boş ve paspası kuru muhafaza edin.

SORUN GİDERME

Aşağıdaki olası sorunlar için ilgili çözümlere bakın.

No.	Arıza	Olası Nedeni	Çözüm
1	DEEBOT, ECOVACS HOME Uygulamasına bağlanamıyor.	Yanlış Wi-Fi kullanıcı adı veya parolası girilmiş.	Doğru Wi-Fi kullanıcı adını ve parolasını girin.
		DEEBOT evinizdeki Wi-Fi sinyalinin kapsama alanında değil.	DEEBOT'un evinizdeki Wi-Fi sinyalinin kapsama alanında olduğundan emin olun. Yönlendiriciye mümkün olduğunca yakın durmaya çalışın.
		DEEBOT yapılandırma durumunda değil.	DEEBOT'u Bluetooth ile telefonunuza bağlamak için Reset düğmesine basın. Başarısız olursa, lütfen ECOVACS HOME Uygulaması üzerinden yeniden bağlanın.
		Ev Wi-Fi ağı Wi-Fi listesinde yok.	1.Wi-Fi adının özel karakterler içerip içermediğini kontrol edin. Lütfen şunlar gibi özel karakterler kullanmayın! @#& ¥%Λ. 2.5 GHz ağ kullanmayın.
		Yanlış bir Uygulama yüklendi.	Lütfen ECOVACS HOME Uygulamasını indirin ve yükleyin.
2	Uygulamada mobilya haritası oluşturulamıyor.	Temizlik sırasında DEEBOT'un hareket ettirilmesi haritanın kaybolmasına neden olabilir.	Temizlik sırasında DEEBOT'u hareket ettirmeyin.
		Otomatik temizleme bitmedi.	DEEBOT'un temizlikten sonra otomatik olarak OMNI İstasyonuna döndüğünden emin olun.
		İkinci harita oluşturulduğunda çoklu kat modu etkinleştirilmedi.	Lütfen Uygulamada çoklu kat modunu etkinleştirin.
3	Yan fırça kullanım sırasında yerinden düşüyor.	Yan fırça düzgün takılmamış.	Yan fırçayı bir tornavida ile takarken, vidanın iyice sıkıldığından emin olun.
4	Sinyal bulunamadı. İstasyona geri dönemiyor.	OMNI İstasyonu yanlış yerleştirilmiş.	İstasyonu [DEEBOT'u Açma ve Şarj Etme] bölümündeki talimatlara göre doğru şekilde yerleştirin.
		OMNI İstasyonunun elektriği kesilmiş veya yeri değiştirilmiştir.	OMNI İstasyonunun güç kaynağına bağlı olup olmadığını kontrol edin. OMNI İstasyonunu hareket ettirmeyin.
		DEEBOT OMNI İstasyonundan temizliğe başlıyor.	DEEBOT'un temizliğe OMNI İstasyonundan başlaması tavsiye edilir.
		Yanaşma yolu tıkalı. Örneğin, OMNI İstasyonunun yerleştirildiği odanın kapısı kapalıdır.	Şarj rotasını açık tutun.

No.	Arıza	Olası Nedeni	Çözüm
5	DEEBOT temizliği bitirmeden önce OMNI İstasyonuna geri döner.	Oda DEEBOT'un yeniden şarj olmak için geri dönmesi gerektirecek kadar büyüktür.	Lütfen otomatik devam ettirmeyi etkinleştirin. Daha fazla ayrıntı için Lütfen Uygulama talimatlarını izleyin.
		Oldukça karmaşık ev düzenlerinde, temizlik verimliliği düşebilir ve bu durum tamamlanmamış temizlikle sonuçlanabilir.	Ev düzeninizi sadeleştirin.
6	DEEBOT şarj olamıyor.	DEEBOT AÇIK değil.	DEEBOT'u AÇIN.
		DEEBOT'un şarj bağlantıları OMNI istasyonunun şarj bağlantılarına bağlı değildir.	DEEBOT'un şarj bağlantılarının istasyonun şarj bağlantılarına bağlandığından ve  ışığının yanıp söndüğünden emin olun. DEEBOT'un ve OMNI istasyonunun Şarj Bağlantılarının kirliliği olup olmadığını kontrol edin. Lütfen bu parçaları [DÜZENLİ BAKIM] bölümündeki talimatlara göre temizleyin.
		OMNI İstasyonu güç kaynağına bağlı değil.	1. OMNI istasyonunun güç kaynağına bağlı olduğundan emin olun. 2. Güç bağlandıktan sonra, motor başlatma sesinin duyulabilmesinden emin olun.
		Taban yerine monte edilmemiştir.	Doğru kurulum için [Hızlı Başlangıç] bölümüne bakın.
7	DEEBOT temizlik sırasında çok gürültülü.	Ana fırça/yan fırça karışmış veya toz kutusu/filtre tıkanmış.	Ana fırçanın, yan fırçanın, toz kutusunun, silindir paspasın, filtrenin vb. düzenli olarak temizlenmesi önerilir.
		DEEBOT Güçlü Emiş Modunda veya Maksimum Emiş Gücü Modundadır.	Standard Mod'a Geç.
8	DEEBOT çalışırken takılıyor ve duruyor.	DEEBOT yerdeki nesnelere (elektrik kabloları, perdeler, halı saçakları, vb.) dolanmıştır.	DEEBOT kendini kurtarmak için çeşitli yollar deneyecektir. Denemeleri başarısız olursa, engelleri manuel olarak kaldırın ve yeniden başlatın.
		DEEBOT, benzer yükseklikte bir girişi olan mobilyaların altında sıkışmış olabilir.	Lütfen mobilyaları kaldırın, fiziksel bir bariyer koyun veya ECOVACS HOME Uygulaması aracılığıyla sanal bir sınır belirleyin.
		DEEBOT dar bir alanda sıkışmış durumda.	Evinizi toplayın, fiziksel bir bariyer koyun veya ECOVACS HOME Uygulaması aracılığıyla sanal bir sınır belirleyin.

No.	Arıza	Olası Nedeni	Çözüm
9	DEEBOT, temizlik sırasında düzensiz bir rota, yanlış hareket, aynı noktaların tekrar tekrar temizlenmesi ve küçük alanların kaçırılması gibi sorunlarla karşılaşabilir. (Geçici olarak temizlenmemiş geniş bir alan varsa, DEEBOT kaçırılan alanı otomatik olarak temizleyecektir. Bazen DEEBOT temizlenmiş bir odaya tekrar girecektir; bu, temizliğin tekrarlanması değil DEEBOT'un kaçırılan bir alan bulmuş olması anlamına gelebilir).	Yere koyulan kablo ve terlik gibi nesnelere DEEBOT'u engeller.	Temizlikten önce lütfen yere saçılmış kabloları, terlikleri ve diğer nesnelere mümkün olduğunca toplayın. Temizlik sırasında gözden kaçan herhangi bir alan varsa, DEEBOT bunu otomatik olarak düzeltir. Lütfen müdahale etmeden kaçının (DEEBOT'u hareket ettirmek veya rotasını engellemek gibi).
		DEEBOT basamaklara, eşiklere ve kapı barlarına tırmanırken sürüş tekerleri zemine kayabilir ve bu da DEEBOT'un tüm ev ortamını değerlendirmesini etkileyebilir.	Etkilenen alanın kapısının kapatılması ve ayrı olarak temizlenmesi tavsiye edilir. Temizlikten sonra DEEBOT başlangıç konumuna geri dönecektir.
		Yeni cilalanmış veya parlatılmış zeminlerde ve pürüzsüz fayanslarda, Sürüş tekerleri ile zemin arasında daha az sürtünme olabilir.	Lütfen temizlemeden önce cilanın kurumasını bekleyin.
		Ev düzenlerindeki farklılıklar nedeniyle DEEBOT tarafından bazı alanlara girilemez.	DEEBOT'un temizlenecek alanlara girebilmesini sağlamak için evinizi düzenleyin.
10	Uzaktan kumandada gecikme.	Wi-Fi sinyali zayıf, bu da video yüklemesinin yavaş olmasına neden oluyor.	DEEBOT'u iyi bir Wi-Fi sinyali olan alanlarda kullanın.
11	OMNI istasyonuna döndükten sonra DEEBOT toz kutusunu boşaltmıyor.	ECOVACS HOME Uygulamasında Otomatik Boşaltma işlevi açılmamıştır.	ECOVACS HOME Uygulamasında Otomatik Boşaltma işlevini açın.
		DEEBOT'un istasyona manuel olarak geri taşınması Otomatik Boşaltma işlevini tetiklemeyecektir.	DEEBOT'un OMNI İstasyonuna kendi başına dönmeye izin verilmesi tavsiye edilir. Lütfen elle hareket ettirmeyin.
		Rahatsız Etme modunda DEEBOT, OMNI İstasyonuna döndükten sonra tozu boşaltmayacaktır.	ECOVACS HOME Uygulamasında Rahatsız Etme özelliğini kapatın veya toz boşaltma işlemini manuel olarak başlatın.
		İstasyon boş verimlilikte bir düşüş tespit eder.	Toz torbasını [DÜZENLİ BAKIM] bölümüne göre değiştirin ve toz toplama kabinini kapatın. Uygulama tarafından istemde bulunulduğunda toz torbası dolu değilse, torbayı tekrar yerine takabilirsiniz.
		Toz konteynerinin dolu olup olmadığını ve tıkanmaya neden olup olmadığını kontrol edin.	Toz kutusunu [DÜZENLİ BAKIM] bölümüne göre temizleyin.
		Yukarıdaki olası nedenler ihtimal dışı ise, istasyon bileşenlerinde sorun olabilir.	Yardım için lütfen müşteri hizmetleriyle iletişime geçin.

No.	Arıza	Olası Nedeni	Çözüm
12	Otomatik Boşaltma başarısız.	İstasyon boş verimlilikte bir düşüş tespit eder.	Toz torbasını [DÜZENLİ BAKIM] bölümüne göre değiştirin ve toz toplama kabini kapatın. Uygulama tarafından istemde bulunulduğunda toz torbası dolu değilse, torbayı tekrar yerine takabilirsiniz.
		Toz kutusunun çıkışı yabancı cisimlerle tıkanmıştır.	Toz kutusunu çıkarın ve çıkıştaki yabancı cisimleri temizleyin.
13	Toz toplama kabininin iç kısmı kirlidir.	İnce parçacıklar toz torbasından geçerek toz toplama kabininin iç kısmında birikir.	Toz toplama kabininin iç kısmını temizleyin.
		Toz torbası kırılmıştır.	Toz torbasını kontrol edip değiştirin.
		Toz torbası düzgün şekilde takılmamıştır.	Toz torbasını lütfen düzgün şekilde takın.
		Toz toplama kabini kapağı, kapalı değildir.	Toz toplama kabini kapağının düzgün şekilde kapatıldığını lütfen kontrol edin.
14	DEEBOT çalışırken toz sızıntısı meydana gelir.	Toz kutusunun çıkışı yabancı cisimlerle tıkanmıştır.	Toz kutusunu çıkarın ve çıkıştaki yabancı cisimleri temizleyin.
15	Silindir paspas dönmüyor.	Silindir paspas doğru şekilde takılmamış.	Silindir paspası [DÜZENLİ BAKIM] bölümüne göre doğru şekilde takın.
		Silindir paspas yabancı cisimler tarafından engelleniyor.	Silindir paspası [DÜZENLİ BAKIM] bölümüne göre doğru şekilde temizleyin ve takın.
16	Sürüş tekeri sıkışmış.	Sürüş tekerine yabancı cisimler dolanmış veya sürüş tekeri sıkışmış.	Herhangi bir yabancı cisim dolanması veya engellemesi olup olmadığını kontrol etmek için sürüş tekerini döndürün ve bastırın. Herhangi bir yabancı cisim bulunursa, lütfen bunları derhal temizleyin. Bu sorun devam ederse, lütfen yardım için müşteri hizmetleriyle iletişime geçin.

No.	Arıza	Olası Nedeni	Çözüm
17	Paspas yıkama tepsisi suyla dolu ve boşaltılmıyor. Bir sesli uyarı paspas yıkama tepsisi arızasını bildirir.	Kirli su tankı düzgün takılmamış.	Düzgün takıldığından emin olmak için kirli su tankına hafifçe vurun.
		Kirli su tankındaki sızdırmazlık tapaları düzgün takılmamış.	İki sızdırmazlık tapasının düzgün takıldığından emin olun.
		Paspas yıkama tepsisi düzgün takılmamış.	Paspas yıkama tepsisinin doğru şekilde takıldığından emin olun ve kontrol edin.
		Paspas yıkama tepsisi tabanı kirleniyor.	Paspas yıkama tepsisi tabanını ayırın ve suyla yıkayın.
		Paspas yıkama tepsisi tabanında su yokken yüzen topun sıkışıp sıkışmadığını kontrol edin.	Yüzen topu tekrar yerine koymak için paspas yıkama tepsisini çıkarın.
		OMNI İstasyonu suyu normal şekilde tahliye edemez.	DEEBOT'u istasyona yerleştirin. Şarj olduğundan emin olduktan sonra düğmesine çift dokununuz. Sorun devam ederse, lütfen yardım için müşteri hizmetleriyle iletişime geçin.
		Paspas yıkama tepsisinin emiş ağzı yabancı cisimlerle tıkanmıştır.	Paspas yıkama tepsisinin emiş ağzında yabancı bir cisim olmadığından emin olun.
		Yukarıdaki tüm çözümler denendikten sonra sesli uyarı devam eder.	İstasyonu kapatın ve açın. Bu sorun devam ederse, lütfen yardım için müşteri hizmetleriyle iletişime geçin.
18	Kirli su kutusu arızası veya sık otomatik yıkama.	Kirli su kutusu aşırı toz yüklüdür.	Kirli su kutusunu çıkarıp boşaltın ve ardından durulayıp yeniden takın. Bu sorun devam ederse, lütfen yardım için müşteri hizmetleriyle iletişime geçin.
		Damlama tepsisi aşırı toz yüklüdür.	Damlama tepsisini çıkarıp boşaltın ve ardından durulayıp yeniden takın. Bu sorun devam ederse, lütfen yardım için müşteri hizmetleriyle iletişime geçin.

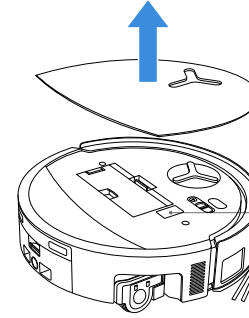
TEKNİK ÖZELLİKLER

Model	DEX62
Anma Girişi	20 V === 2 A
Şarj Süresi	Yaklaşık 3,5 saat
İstasyon Modeli	CH2497F
Anma Girişi	220-240 V ~ 50-60 Hz
Anma Çıkışı	20 V === 2 A
Anma Girişi Akımı (Şarj)	0,5 A
Güç (Boşaltma)	650 W
Güç (Sıcak Suyla Yıkama Paspası)	1650 W
Frekans Bantları	2400-2483,5 MHz
Ağ Bağlantılı Bekleme Modu Gücü	2,00 W'tan az

Kablosuz bağlantı modülünün çıkış gücü 100 mW'tan azdır. Ürün gereksinimleri (işlevsellik ve kullanıcı deneyimi) temelinde, ürünlerimiz ultra düşük güçlü olmayan bir cihaz mimarisi kullanır, bu nedenle kapalı modu ve bekleme modu yoktur. Makine tamamen şarj olduktan sonra, 20 dakika içinde ağ bağlantılı bekleme moduna girecektir. Ağ bağlantılı bekleme modu gücü 1,9 W'tır
Not: Teknik ve tasarım özellikleri sürekli ürün geliştirme amacıyla değiştirilebilir.
<https://www.ecovacs.com> adresinde daha fazla aksesuar keşfedin.

Kullanım kılavuzunun tam sürümünü edinin

QR kodunu taramak ve kullanım kılavuzunu edinmek için lütfen mobil kamerayı kullanın.



QR kodunu taramak ve kullanım kılavuzunu edinmek için lütfen mobil kamerayı kullanın.

Ecovacs Home Service Robotics Co., Ltd.
No.518 Songwei Road, Wusongjiang Industry Park, Guoxiang Street,
Wuzhong District, Suzhou, Jiangsu, China.

451-2515-1803