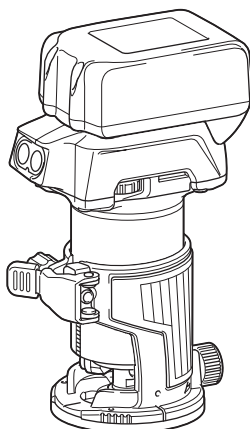




EN	Cordless Trimmer	INSTRUCTION MANUAL	13
FR	Affleureuse sans fil	MANUEL D'INSTRUCTIONS	22
DE	Akku-Multifunktionsfräse	BETRIEBSANLEITUNG	32
IT	Rifilatore a batteria	ISTRUZIONI PER L'USO	42
NL	Accukantenfrees	GEBRUIKSAANWIJZING	52
ES	Recortadora Inalámbrica	MANUAL DE INSTRUCCIONES	62
PT	Tupia a Bateria	MANUAL DE INSTRUÇÕES	72
DA	Akku overfræser	BRUGSANVISNING	81
EL	Φορητό κουρευτικό περιθωρίων	ΕΓΧΕΙΡΙΔΙΟ ΟΔΗΓΙΩΝ	90
TR	Akülü Şekil Verme Testeresi	KULLANMA KILAVUZU	100

DRT50



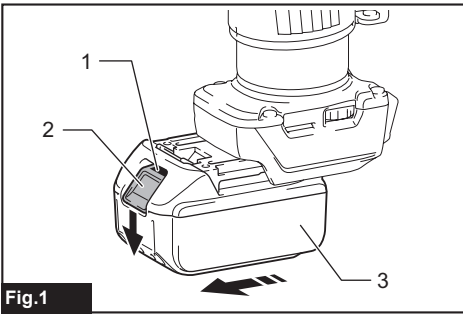


Fig.1

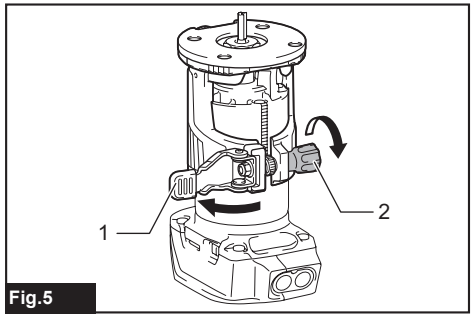


Fig.5

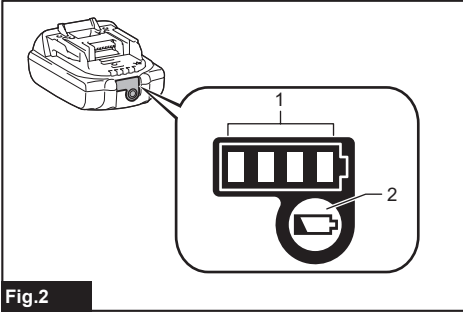


Fig.2

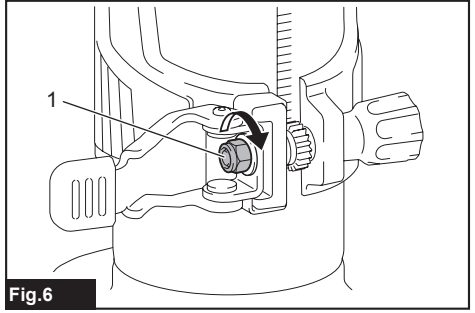


Fig.6

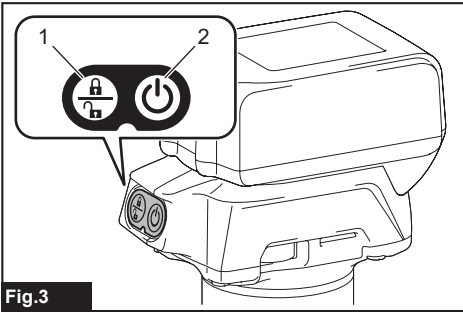


Fig.3

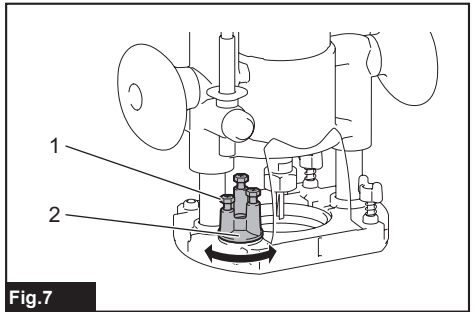


Fig.7

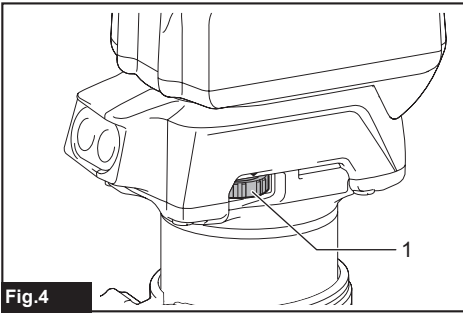


Fig.4

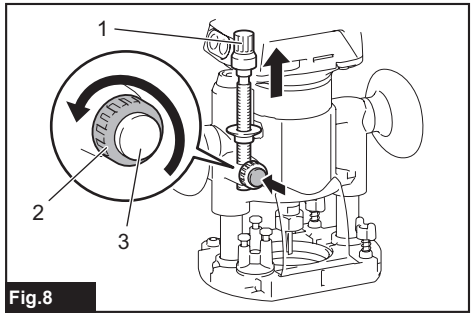
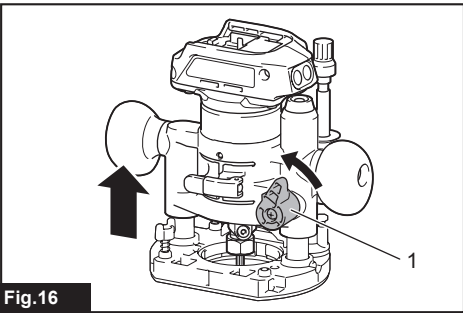
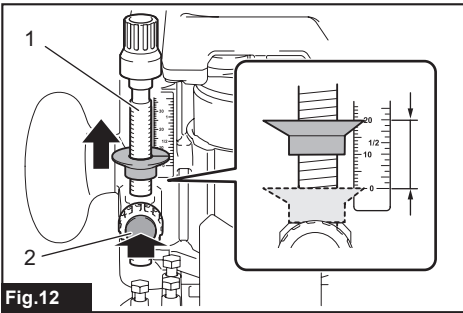
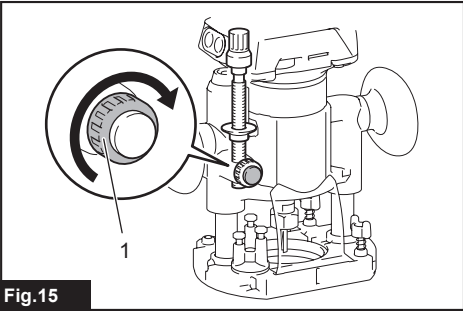
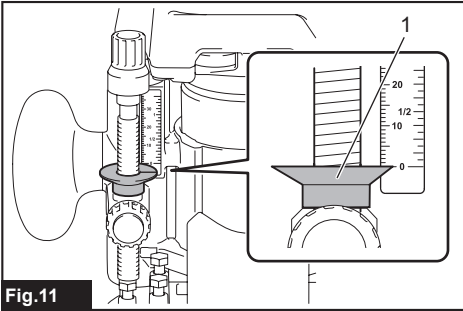
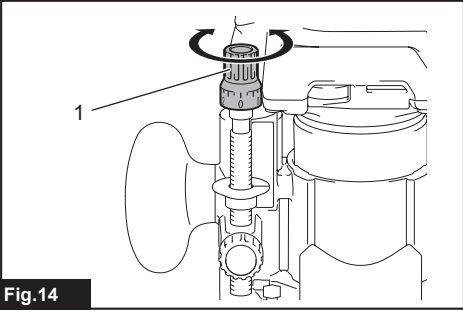
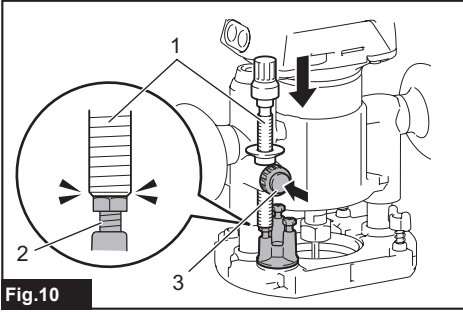
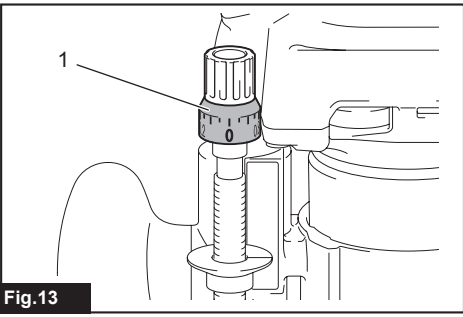
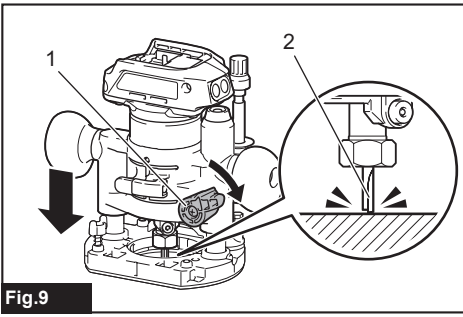


Fig.8



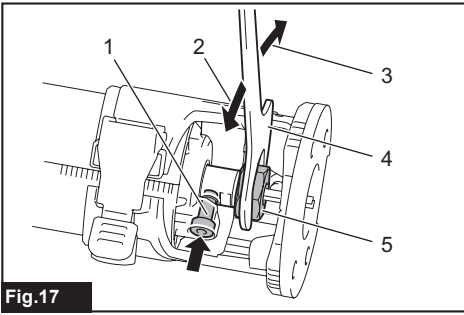


Fig.17

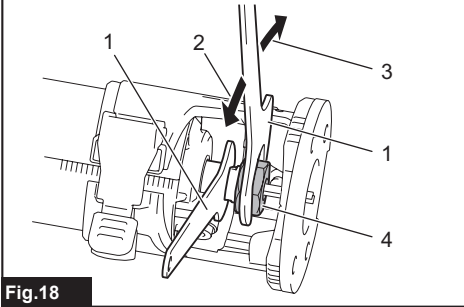


Fig.18

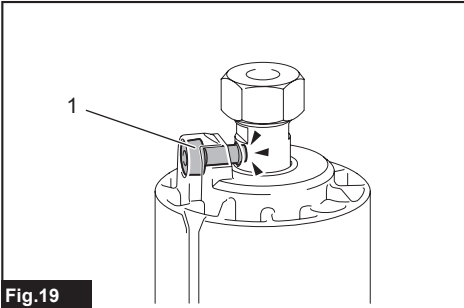


Fig.19

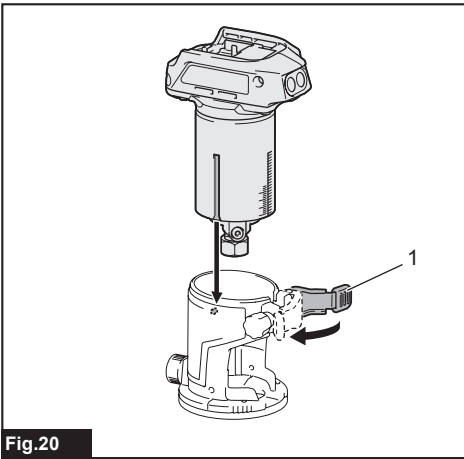


Fig.20

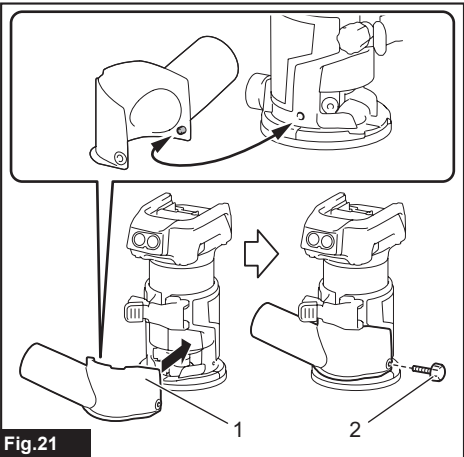


Fig.21

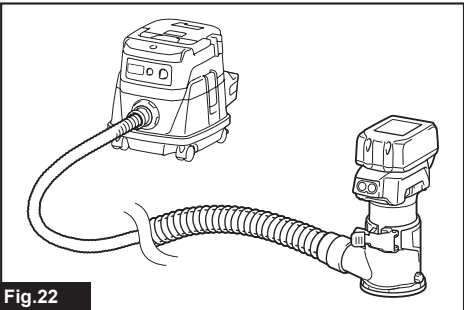


Fig.22

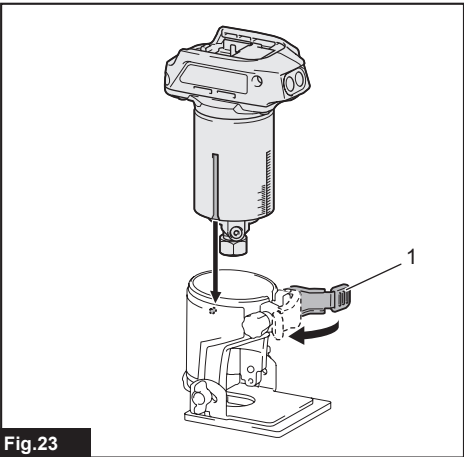
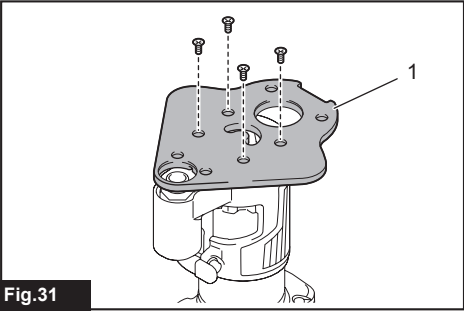
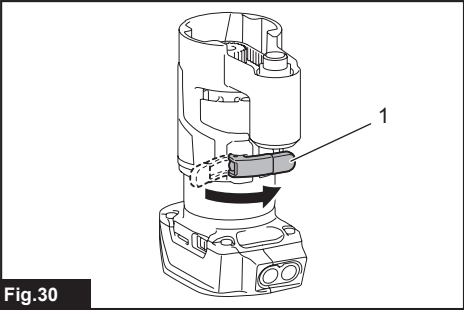
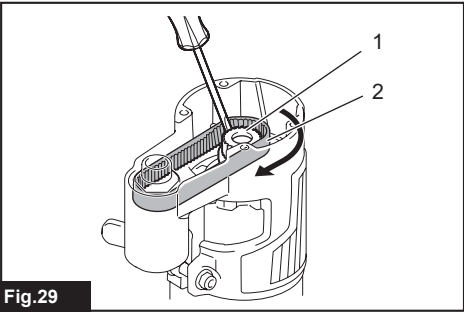
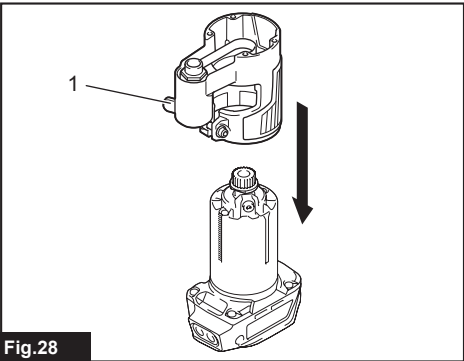
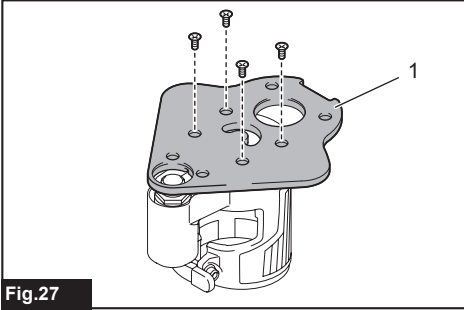
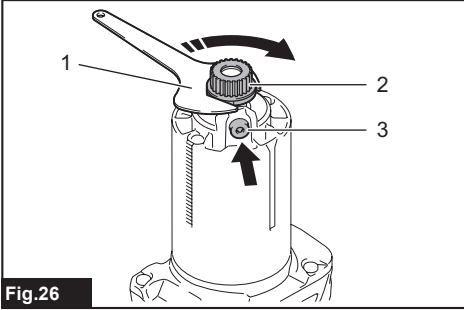
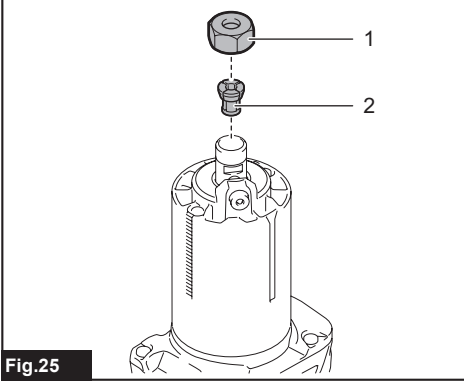
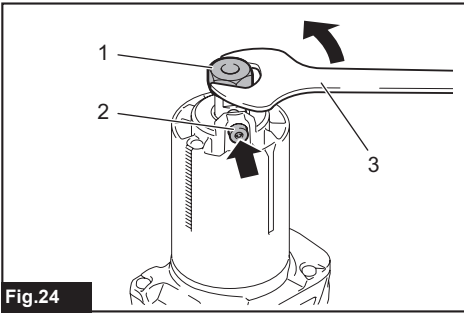


Fig.23



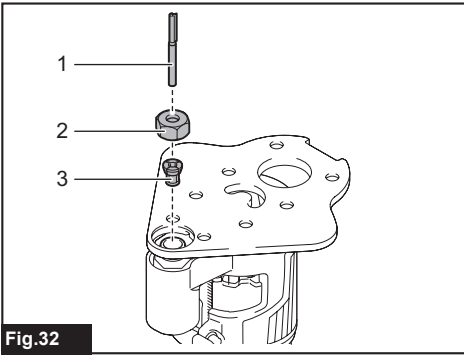


Fig.32

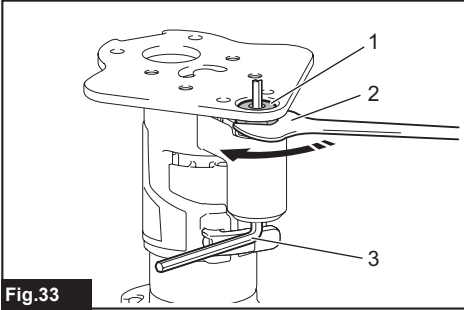


Fig.33

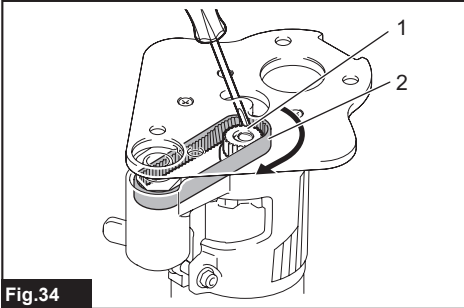


Fig.34

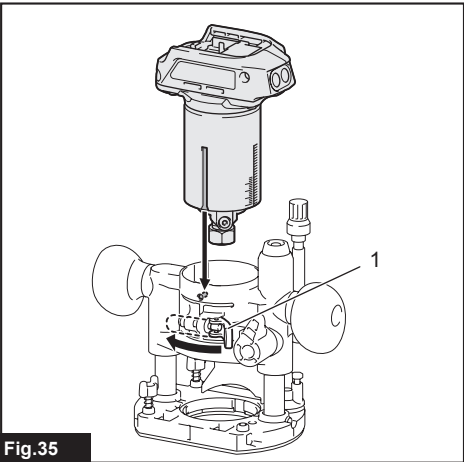


Fig.35

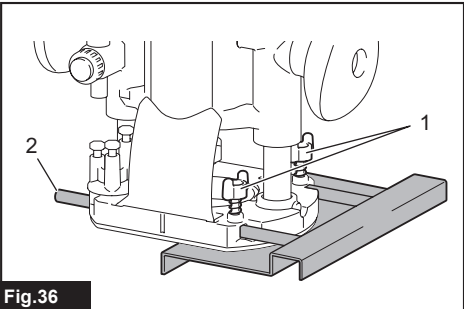


Fig.36

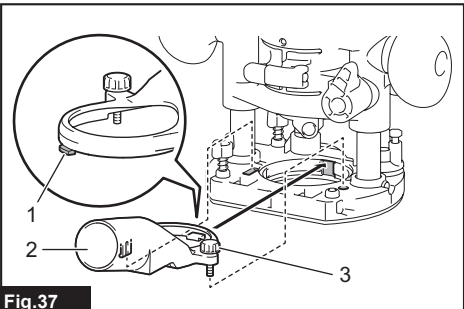


Fig.37

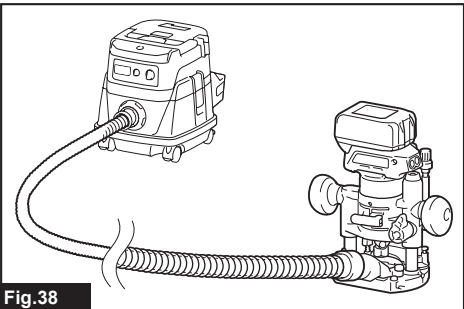


Fig.38

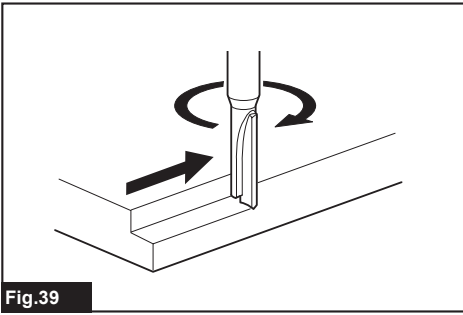


Fig.39

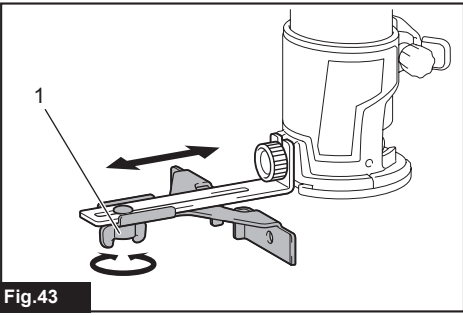


Fig.43

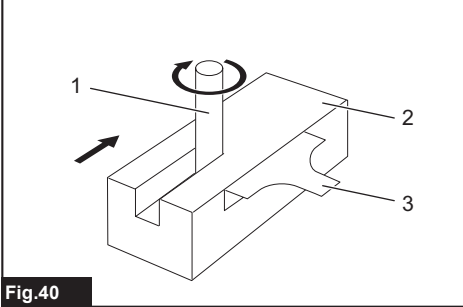


Fig.40

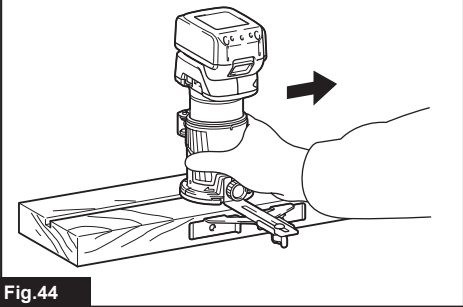


Fig.44

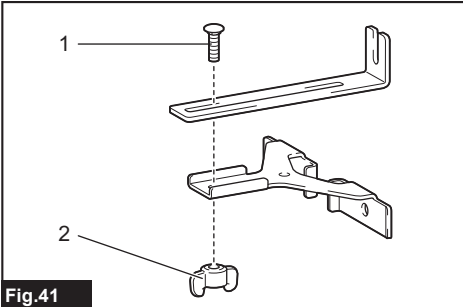


Fig.41

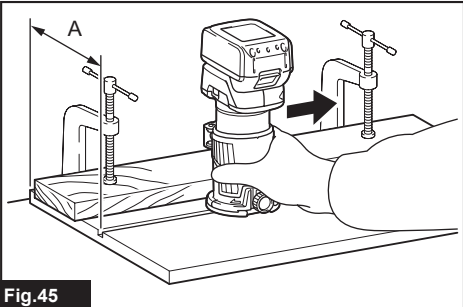


Fig.45

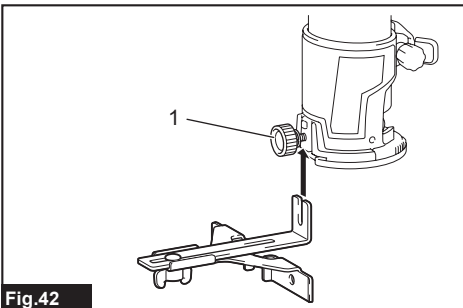


Fig.42

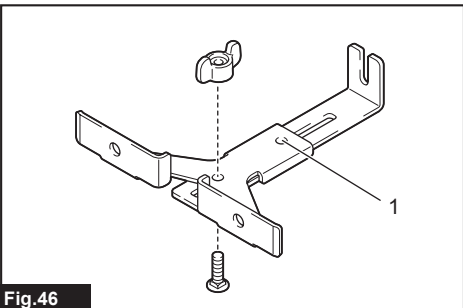


Fig.46

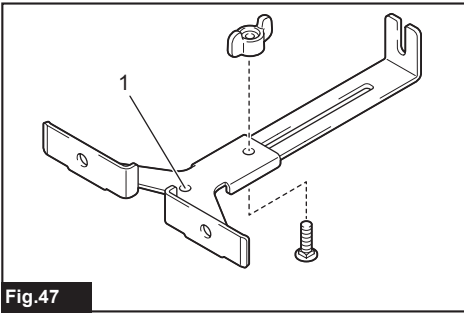


Fig.47

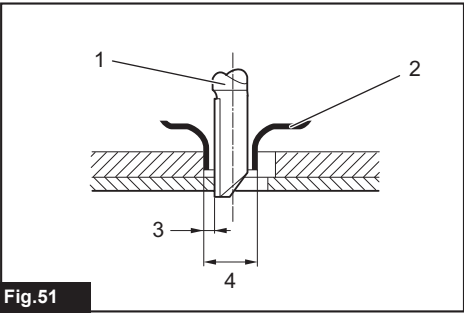


Fig.51

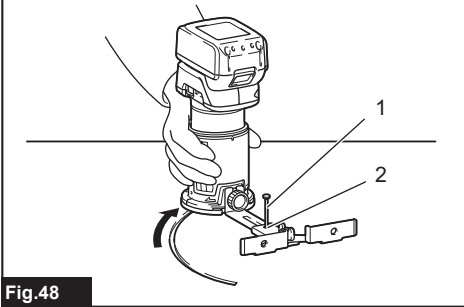


Fig.48

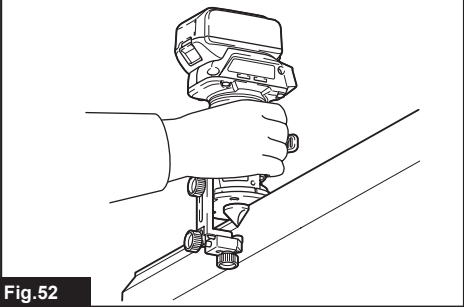


Fig.52

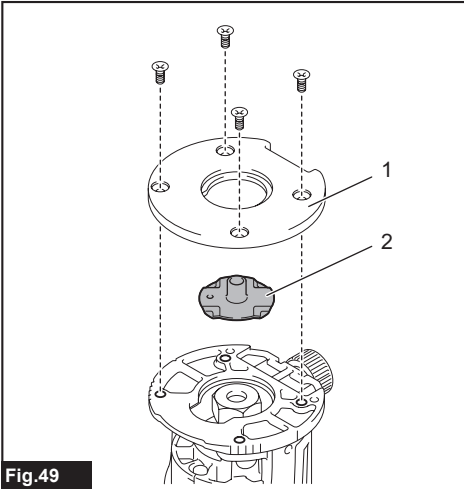


Fig.49

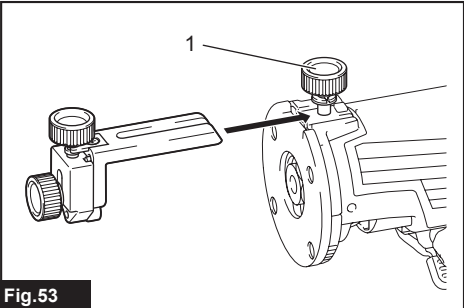


Fig.53

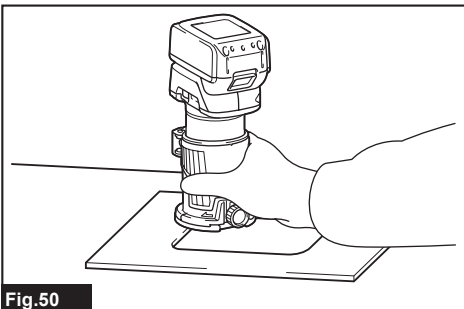


Fig.50

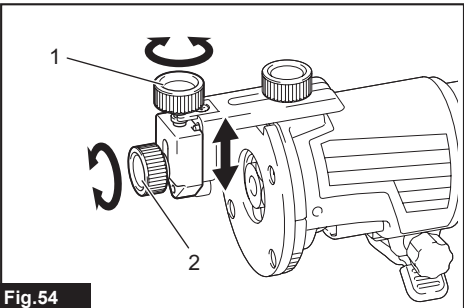


Fig.54

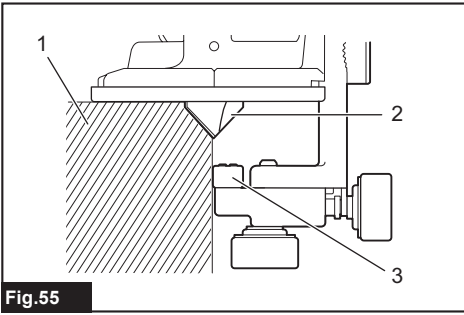


Fig.55

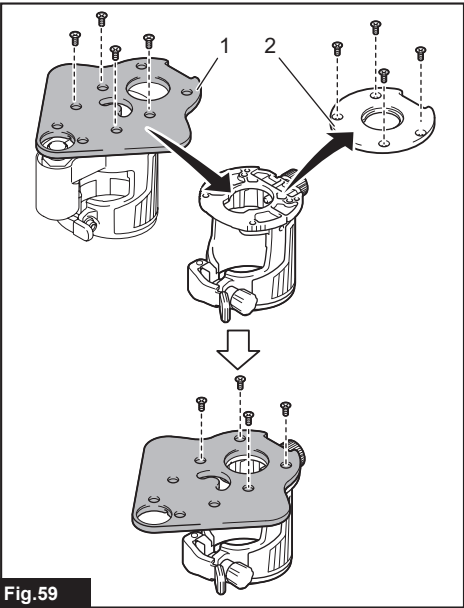


Fig.59

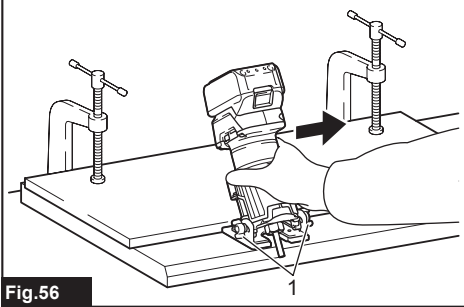


Fig.56

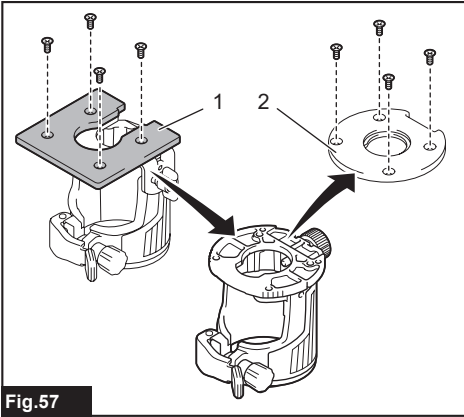


Fig.57

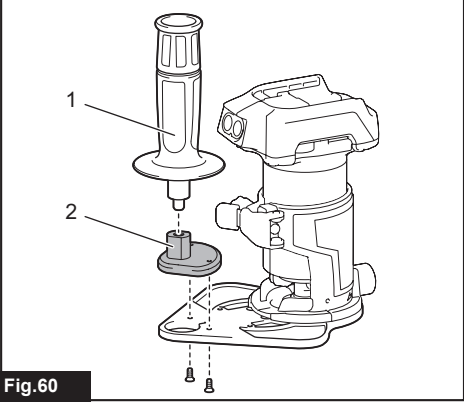


Fig.60

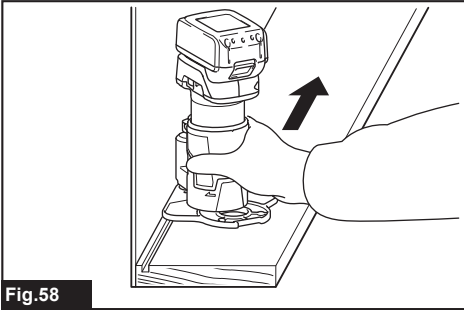


Fig.58

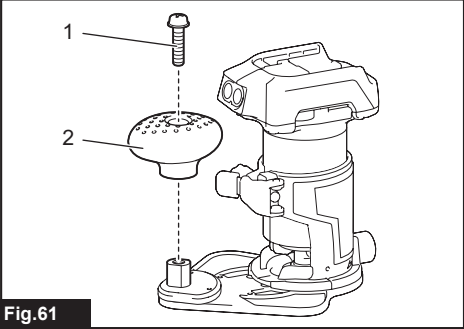


Fig.61

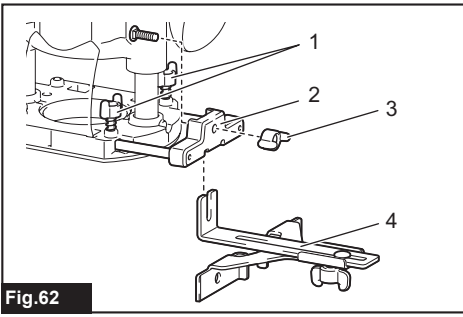


Fig.62

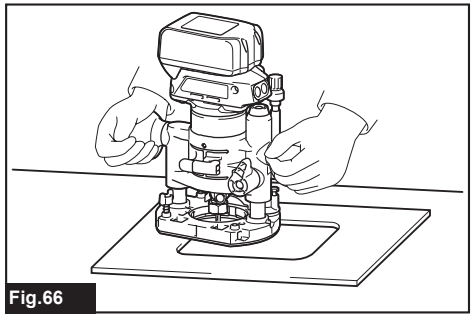


Fig.66

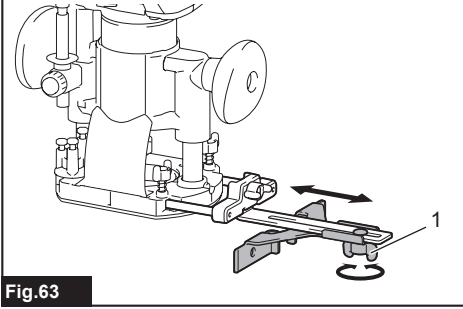


Fig.63

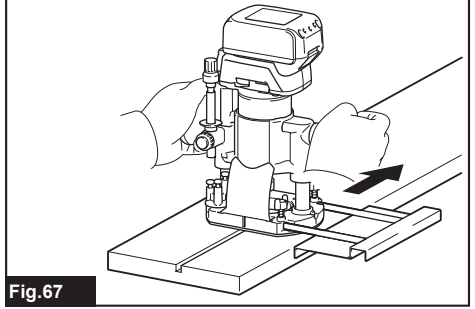


Fig.67

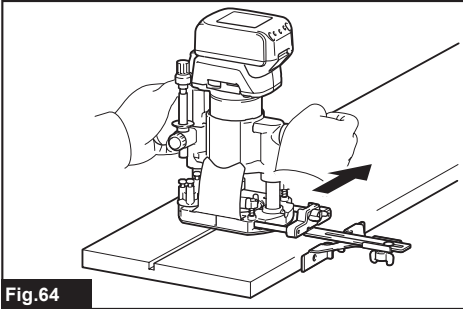


Fig.64

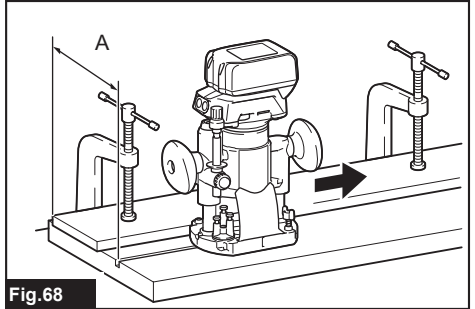


Fig.68

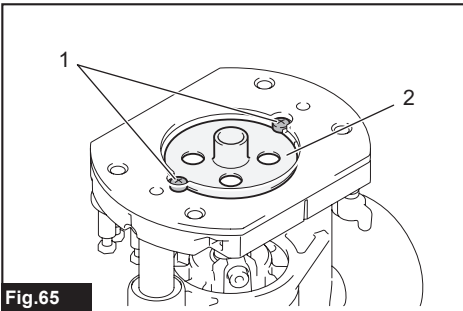
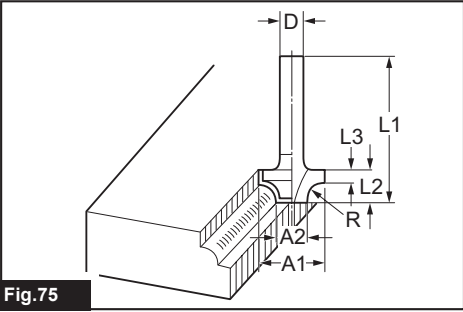
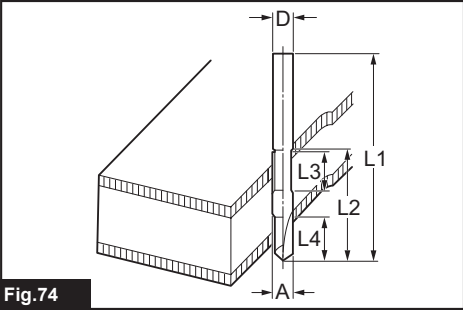
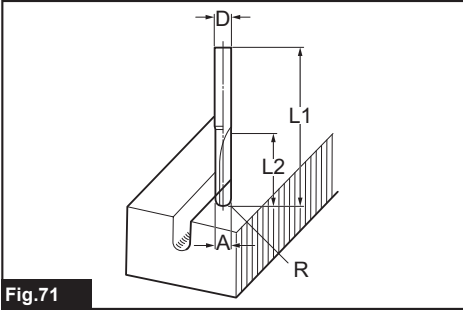
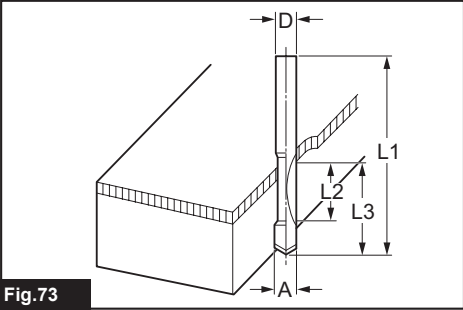
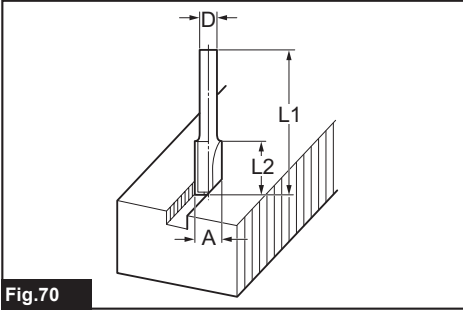
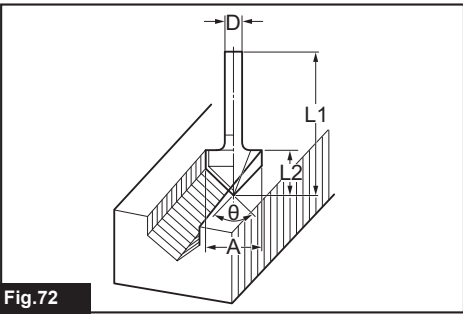
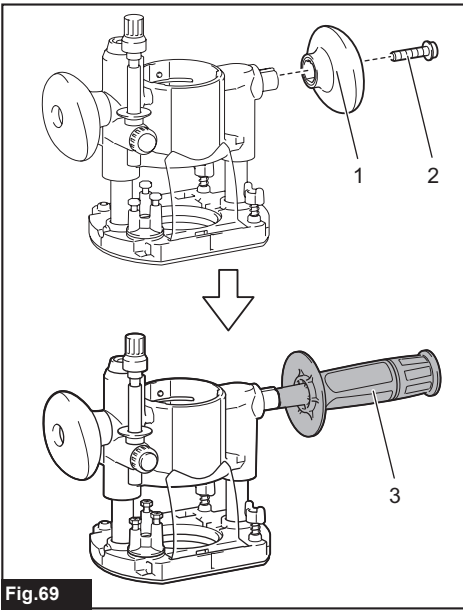
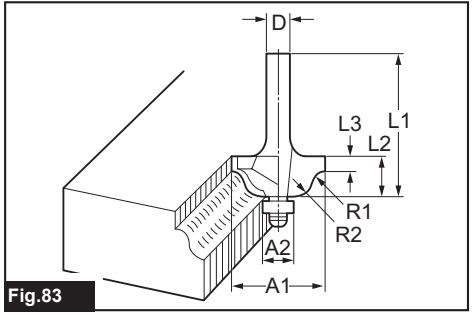
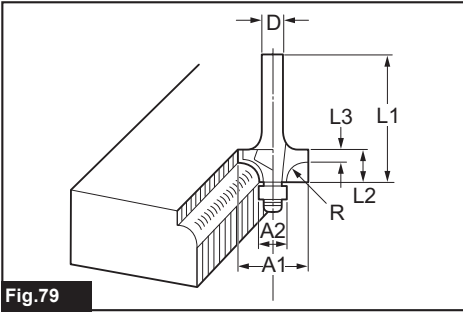
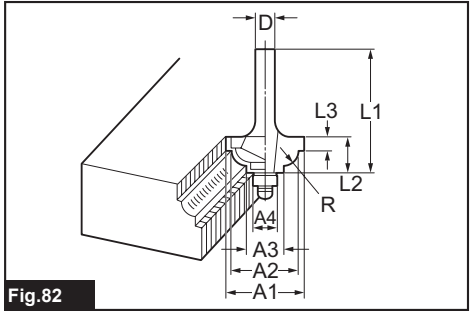
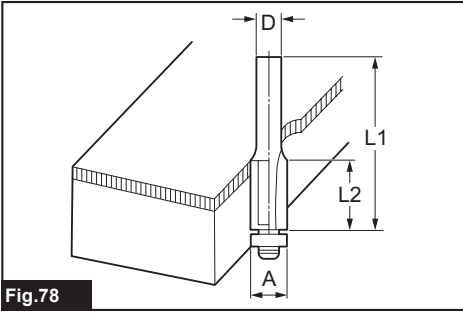
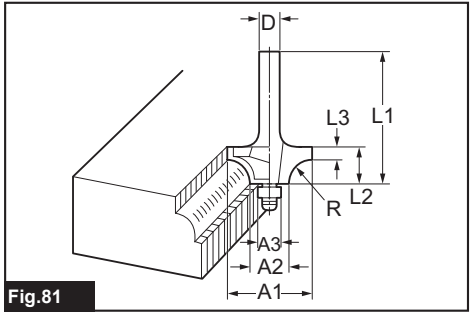
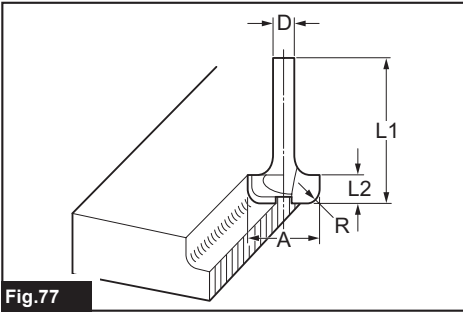
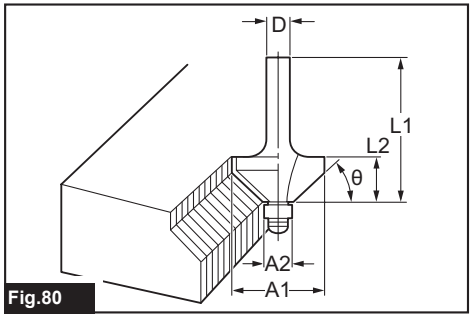
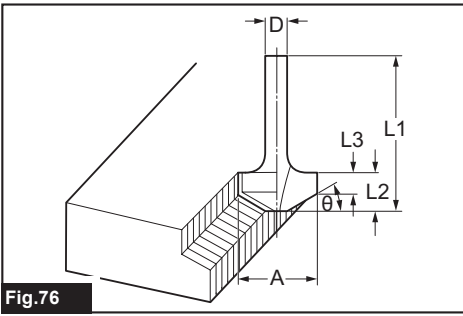


Fig.65





SPECIFICATIONS

Model:	DRT50
Collet chuck capacity	6 mm, 8 mm, 1/4", or 3/8"
No load speed	10,000 - 30,000 min ⁻¹
Overall length	226 mm
Rated voltage	D.C. 18 V
Standard battery cartridge	BL1815N / BL1820 / BL1820B / BL1830 / BL1830B / BL1840 / BL1840B / BL1850 / BL1850B / BL1860B
Net weight	1.8 - 2.1 kg

- Due to our continuing program of research and development, the specifications herein are subject to change without notice.
- Specifications and battery cartridge may differ from country to country.
- The weight may differ depending on the attachment(s), including the battery cartridge. The lightest and heaviest combination, according to EPTA-Procedure 01/2014, are shown in the table.

Intended use

The tool is intended for flush trimming and profiling of wood, plastic and similar materials.

Noise

The typical A-weighted noise level determined according to EN60745:

Sound pressure level (L_{pA}) : 78 dB(A)

Uncertainty (K) : 3 dB(A)

⚠ WARNING: Wear ear protection.

Vibration

The vibration total value (tri-axial vector sum) determined according to EN60745:

Work mode: rotation without load

Vibration emission (a_n) : 2.5 m/s² or less

Uncertainty (K) : 1.5 m/s²

Work mode: cutting grooves in MDF

Vibration emission (a_n) : 4.5 m/s²

Uncertainty (K) : 1.5 m/s²

NOTE: The declared vibration emission value has been measured in accordance with the standard test method and may be used for comparing one tool with another.

NOTE: The declared vibration emission value may also be used in a preliminary assessment of exposure.

⚠ WARNING: The vibration emission during actual use of the power tool can differ from the declared emission value depending on the ways in which the tool is used.

⚠ WARNING: Be sure to identify safety measures to protect the operator that are based on an estimation of exposure in the actual conditions of use (taking account of all parts of the operating cycle such as the times when the tool is switched off and when it is running idle in addition to the trigger time).

EC Declaration of Conformity

For European countries only

The EC declaration of conformity is included as Annex A to this instruction manual.

SAFETY WARNINGS

General power tool safety warnings

⚠ WARNING: Read all safety warnings, instructions, illustrations and specifications provided with this power tool. Failure to follow all instructions listed below may result in electric shock, fire and/or serious injury.

Save all warnings and instructions for future reference.

The term "power tool" in the warnings refers to your mains-operated (corded) power tool or battery-operated (cordless) power tool.

Cordless trimmer safety warnings

1. **Hold power tool by insulated gripping surfaces, because the cutter may contact hidden wiring.** Cutting a "live" wire may make exposed metal parts of the power tool "live" and shock the operator.
2. **Use clamps or another practical way to secure and support the workpiece to a stable platform.** Holding the work by your hand or against the body leaves it unstable and may lead to loss of control.
3. **Wear hearing protection during extended period of operation.**
4. **Handle the trimmer bits very carefully.**

5. Check the trimmer bit carefully for cracks or damage before operation. Replace cracked or damaged bit immediately.
6. Avoid cutting nails. Inspect for and remove all nails from the workpiece before operation.
7. Hold the tool firmly.
8. Keep hands away from rotating parts.
9. Make sure the trimmer bit is not contacting the workpiece before the switch is turned on.
10. Before using the tool on an actual workpiece, let it run for a while. Watch for vibration or wobbling that could indicate improperly installed bit.
11. Be careful of the trimmer bit rotating direction and the feed direction.
12. Do not leave the tool running. Operate the tool only when hand-held.
13. Always switch off and wait for the trimmer bit to come to a complete stop before removing the tool from workpiece.
14. Do not touch the trimmer bit immediately after operation; it may be extremely hot and could burn your skin.
15. Do not smear the tool base carelessly with thinner, gasoline, oil or the like. They may cause cracks in the tool base.
16. Use trimmer bits of the correct shank diameter suitable for the speed of the tool.
17. Some material contains chemicals which may be toxic. Take caution to prevent dust inhalation and skin contact. Follow material supplier safety data.
18. Always use the correct dust mask/respirator for the material and application you are working with.

- (2) Avoid storing battery cartridge in a container with other metal objects such as nails, coins, etc.
- (3) Do not expose battery cartridge to water or rain.

A battery short can cause a large current flow, overheating, possible burns and even a breakdown.

6. Do not store the tool and battery cartridge in locations where the temperature may reach or exceed 50 °C (122 °F).
7. Do not incinerate the battery cartridge even if it is severely damaged or is completely worn out. The battery cartridge can explode in a fire.
8. Be careful not to drop or strike battery.
9. Do not use a damaged battery.
10. The contained lithium-ion batteries are subject to the Dangerous Goods Legislation requirements.
For commercial transports e.g. by third parties, forwarding agents, special requirement on packaging and labeling must be observed.
For preparation of the item being shipped, consulting an expert for hazardous material is required. Please also observe possibly more detailed national regulations.
Tape or mask off open contacts and pack up the battery in such a manner that it cannot move around in the packaging.
11. Follow your local regulations relating to disposal of battery.

SAVE THESE INSTRUCTIONS.

⚠ CAUTION: Only use genuine Makita batteries. Use of non-genuine Makita batteries, or batteries that have been altered, may result in the battery bursting causing fires, personal injury and damage. It will also void the Makita warranty for the Makita tool and charger.

SAVE THESE INSTRUCTIONS.

⚠ WARNING: DO NOT let comfort or familiarity with product (gained from repeated use) replace strict adherence to safety rules for the subject product. MISUSE or failure to follow the safety rules stated in this instruction manual may cause serious personal injury.

Important safety instructions for battery cartridge

1. Before using battery cartridge, read all instructions and cautionary markings on (1) battery charger, (2) battery, and (3) product using battery.
2. Do not disassemble battery cartridge.
3. If operating time has become excessively shorter, stop operating immediately. It may result in a risk of overheating, possible burns and even an explosion.
4. If electrolyte gets into your eyes, rinse them out with clear water and seek medical attention right away. It may result in loss of your eyesight.
5. Do not short the battery cartridge:
 - (1) Do not touch the terminals with any conductive material.

Tips for maintaining maximum battery life

1. Charge the battery cartridge before completely discharged. Always stop tool operation and charge the battery cartridge when you notice less tool power.
2. Never recharge a fully charged battery cartridge. Overcharging shortens the battery service life.
3. Charge the battery cartridge with room temperature at 10 °C - 40 °C (50 °F - 104 °F). Let a hot battery cartridge cool down before charging it.
4. Charge the battery cartridge if you do not use it for a long period (more than six months).

FUNCTIONAL DESCRIPTION

CAUTION: Always be sure that the tool is switched off and the battery cartridge is removed before adjusting or checking function on the tool.

Installing or removing battery cartridge

CAUTION: Always switch off the tool before installing or removing of the battery cartridge.

CAUTION: Hold the tool and the battery cartridge firmly when installing or removing battery cartridge.

Failure to hold the tool and the battery cartridge firmly may cause them to slip off your hands and result in damage to the tool and battery cartridge and a personal injury.

► **Fig.1:** 1. Red indicator 2. Button 3. Battery cartridge

To remove the battery cartridge, slide it from the tool while sliding the button on the front of the cartridge.

To install the battery cartridge, align the tongue on the battery cartridge with the groove in the housing and slip it into place. Insert it all the way until it locks in place with a little click. If you can see the red indicator on the upper side of the button, it is not locked completely.

CAUTION: Always install the battery cartridge fully until the red indicator cannot be seen. If not, it may accidentally fall out of the tool, causing injury to you or someone around you.

CAUTION: Do not install the battery cartridge forcibly. If the cartridge does not slide in easily, it is not being inserted correctly.

Indicating the remaining battery capacity

Only for battery cartridges with the indicator

► **Fig.2:** 1. Indicator lamps 2. Check button

Press the check button on the battery cartridge to indicate the remaining battery capacity. The indicator lamps light up for few seconds.

Indicator lamps			Remaining capacity
Lighted	Off	Blinking	
■	□	▧	75% to 100%
■ ■ ■ ■			
■ ■ ■	□		50% to 75%
■ ■	□ □		25% to 50%
■	□ □ □		0% to 25%
▧	□ □ □		Charge the battery.
■ ■	□ □		The battery may have malfunctioned.
□ □	■ ■		

NOTE: Depending on the conditions of use and the ambient temperature, the indication may differ slightly from the actual capacity.

Tool / battery protection system

The tool is equipped with a tool/battery protection system. This system automatically cuts off power to the motor to extend tool and battery life. The tool will automatically stop during operation if the tool or battery is placed under one of the following conditions:

Overload protection

When the battery is operated in a manner that causes it to draw an abnormally high current, the tool automatically stops without any indication. In this situation, turn the tool off and stop the application that caused the tool to become overloaded. Then turn the tool on to restart.

Overheat protection

When the tool or battery is overheated, the tool stops automatically and the lamp blinks. In this case, let the tool and battery cool before turning the tool on again.

Overdischarge protection

When the battery capacity is not enough, the tool stops automatically. In this case, remove the battery from the tool and charge the battery.

Switch action

To turn on the tool, press the lock/unlock button. The tool turns into the standby mode. To start the tool, press the start/stop button in the standby mode. To stop the tool, press the start/stop button again. The tool turns into the standby mode. To turn off the tool, press the lock/unlock button in the standby mode.

► **Fig.3:** 1. Lock/unlock button 2. Start/stop button

NOTE: If the tool is left for 10 seconds without any operation in the standby mode, the tool automatically turns off and the lamp goes off.

NOTE: You can also stop and turn off the tool by pressing the lock/unlock button while the tool is operating.

Lighting up the front lamp

CAUTION: Do not look in the light or see the source of light directly.

To turn on the lamp, press the lock/unlock button. To turn off the lamp, press the lock/unlock button again.

NOTICE: When the tool is overheated, the lamp flickers. Cool down the tool fully before operating the tool again.

NOTE: Use a dry cloth to wipe the dirt off the lens of the lamp. Be careful not to scratch the lens of lamp, or it may lower the illumination.

Speed adjusting dial

The rotation speed of the tool can be changed by turning the speed adjusting dial. The table below shows the number on the dial and the corresponding rotation speed.

► **Fig.4:** 1. Speed adjusting dial

Number	Speed
1	10,000 min ⁻¹
2	15,000 min ⁻¹
3	20,000 min ⁻¹
4	25,000 min ⁻¹
5	30,000 min ⁻¹

NOTICE: If the tool is operated continuously at low speed for a long time, the motor will get overloaded, resulting in tool malfunction.

NOTICE: When changing the speed dial from "5" to "1", turn the dial counterclockwise. Do not turn the dial clockwise forcibly.

Electronic function

The tool is equipped with the electronic functions for easy operation.

- Constant speed control
The speed control function provides the constant rotation speed regardless of load conditions.
- Soft start
The soft-start function minimizes start-up shock, and makes the tool start smoothly.

Adjusting cutting depth

To adjust the cutting depth, open the lock lever, then move the tool base up or down by turning the adjusting screw. After the adjustment, close the lock lever firmly.

► **Fig.5:** 1. Lock lever 2. Adjusting screw

NOTICE: If the tool is not secured after closing the lock lever, tighten the hex nut, and then close the lock lever.

► **Fig.6:** 1. Hex nut

Adjusting cutting depth with the plunge base

Optional accessory

1. Place the tool on the flat surface.
2. Select the stopper screw by rotating the stopper base.
► **Fig.7:** 1. Stopper screw 2. Stopper base
3. Loosen the stopper pole fixing nut, then pull up the stopper pole while pressing the feed button.
► **Fig.8:** 1. Stopper pole 2. Fixing nut 3. Feed button

4. Push down the tool until the tip of the trimmer bit touches the flat surface, and then turn the fixing lever to secure the tool.

► **Fig.9:** 1. Fixing lever 2. Trimmer bit

5. Press down the stopper pole while pressing the feed button until it contacts the stopper screw.

► **Fig.10:** 1. Stopper pole 2. Stopper screw 3. Feed button

6. Slide the depth pointer so that the pointer indicates "0" on the scale.

► **Fig.11:** 1. Depth pointer

7. Adjust the cutting depth by pulling up the stopper pole while pressing the feed button.

► **Fig.12:** 1. Stopper pole 2. Feed button

8. To perform fine adjustment of the cutting depth, turn the dial on the stopper pole so that it indicates "0".

► **Fig.13:** 1. Dial

9. Turn the head of the stopper pole to obtain the desired depth. To increase the depth, turn the head counterclockwise. To decrease the depth, turn the head clockwise.

► **Fig.14:** 1. Head of the stopper pole

10. Tighten the stopper pole fixing nut.

► **Fig.15:** 1. Fixing nut

11. Release the fixing lever.

► **Fig.16:** 1. Fixing lever

ASSEMBLY

CAUTION: Always be sure that the tool is switched off and the battery cartridge is removed before carrying out any work on the tool.

Installing or removing trimmer bit

NOTICE: Do not tighten the collet nut without inserting the bit. The collet cone may break.

Insert the trimmer bit all the way into the collet cone. Press the shaft lock and tighten the collet nut with the wrench or tighten the collet nut securely with the two wrenches. To remove the bit, follow the installation procedure in reverse.

► **Fig.17:** 1. Shaft lock 2. Loosen 3. Tighten
4. Wrench 5. Collet nut

► **Fig.18:** 1. Wrench 2. Loosen 3. Tighten 4. Collet nut

NOTE: The shaft lock may not return to the original position when you tighten the collet nut at the installation of the trimmer bit. The shaft lock returns to the original position when you start the tool.

► **Fig.19:** 1. Shaft lock

Installing or removing the trimmer base

1. Open the lock lever of the trimmer base, then insert the tool into the trimmer base aligning the groove on the tool with the protrusion on the trimmer base.

► **Fig.20:** 1. Lock lever

2. Close the lock lever.

3. Attach the dust nozzle to the trimmer base, and then tighten the thumb screw.

► Fig.21: 1. Dust nozzle 2. Thumb screw

► Fig.22

To remove the base, follow the installation procedure in reverse.

CAUTION: When using the tool with the trimmer base, be sure to install the dust nozzle on the trimmer base.

Installing or removing the tilt base

Optional accessory

1. Open the lock lever of the tilt base, then insert the tool into the tilt base aligning the groove on the tool with the protrusion on the tilt base.

► Fig.23: 1. Lock lever

2. Close the lock lever.

To remove the base, follow the installation procedure in reverse.

Installing or removing the offset base

Optional accessory

1. Press the shaft lock, then loosen the collet nut.

► Fig.24: 1. Collet nut 2. Shaft lock 3. Wrench

2. Remove the collet nut and the collet cone.

► Fig.25: 1. Collet nut 2. Collet cone

3. Install the pulley on the tool by pressing the shaft lock and tightening the pulley with the wrench.

► Fig.26: 1. Wrench 2. Pulley 3. Shaft lock

4. Loosen the screws on the base plate, and then remove the base plate.

► Fig.27: 1. Base plate

5. Open the lock lever of the offset base, then insert the tool into the offset base.

► Fig.28: 1. Lock lever

6. Mount the belt to the pulley by rotating the belt manually.

► Fig.29: 1. Pulley 2. Belt

7. Close the lock lever.

► Fig.30: 1. Lock lever

8. Attach the base plate by tightening the screws.

► Fig.31: 1. Base plate

9. Insert the collet cone and the trimmer bit into the offset base, and then tighten the collet nut.

► Fig.32: 1. Trimmer bit 2. Collet nut 3. Collet cone

10. Insert the hex wrench into the hole of the offset base, and then tighten the collet nut with the wrench.

► Fig.33: 1. Collet nut 2. Wrench 3. Hex wrench

To remove the base, follow the installation procedure in reverse.

NOTE: You can also mount the belt to the pulley without removing the base plate as shown in the figure.

► Fig.34: 1. Pulley 2. Belt

Installing or removing the plunge base

Optional accessory

1. Open the lock lever of the plunge base, then insert the tool into the plunge base all the way aligning the groove on the tool with the protrusion on the plunge base.

► Fig.35: 1. Lock lever

2. Close the lock lever.

To remove the base, follow the installation procedure in reverse.

Installing or removing the parallel ruler on the plunge base

Optional accessory

Insert the guide bars into the holes in the plunge base, and then tighten the wing bolts. To remove the ruler, follow the installation procedure in reverse.

► Fig.36: 1. Wing bolt 2. Guide bar

Installing or removing the dust nozzle on the plunge base

Insert the dust nozzle into the plunge base so that the protrusion on the dust nozzle fits in the notch in the plunge base, and then tighten the thumb screw on the dust nozzle. To remove the nozzle, follow the installation procedure in reverse.

► Fig.37: 1. Protrusion 2. Dust nozzle 3. Thumb screw

► Fig.38

OPERATION

Using the tool with the trimmer base

Set the tool base on the workpiece without the trimmer bit making any contact. Turn the tool on and wait until the bit attains full speed. Move the tool forward over the workpiece surface. Keep the tool base flush while moving the tool. When cutting the edge, be sure to keep the workpiece surface on the left side of the trimmer bit in the feed direction.

► Fig.39

NOTE: Before cutting on the actual workpiece, it is recommended to make a sample cut. The proper feed speed depends on the trimmer bit size, the kind of workpiece, and depth of cut. Moving the tool forward too fast may cause a poor quality of cut, or damage to the bit or motor. Moving the tool forward too slowly may burn and mar the cutting surface.

When using the trimmer shoe, the straight guide, or the trimmer guide, be sure to keep it on the right side in the feed direction. This will help to keep it flush with the side of the workpiece.

► Fig.40: 1. Trimmer bit 2. Workpiece 3. Straight guide

NOTICE: Since excessive cutting may cause overload of the motor or difficulty in controlling the tool, the depth of cut should not be more than 3 mm at a pass when cutting grooves. When you wish to cut grooves more than 3 mm deep, make several passes with progressively deeper bit settings.

Using the straight guide

Optional accessory

1. Assemble the straight guide with the bolt and the wing nut.
▶ **Fig.41:** 1. Bolt 2. Wing nut
2. Attach the straight guide to the trimmer base with the clamp screw.
▶ **Fig.42:** 1. Clamp screw
3. Loosen the wing nut on the straight guide and adjust the distance between the bit and the straight guide. At the desired distance, tighten the wing nut.
▶ **Fig.43:** 1. Wing nut
4. Move the tool with the straight guide flush with the side of the workpiece.
▶ **Fig.44**

If the distance (A) between the side of the workpiece and the cutting position is too wide for the straight guide, or if the side of the workpiece is not straight, the straight guide cannot be used.

In this case, firmly clamp a straight board to the workpiece and use it as a guide against the trimmer base. Feed the tool in the direction of the arrow.

▶ **Fig.45**

Using the straight guide for circular work

For circular work, assemble the straight guide as shown in the figures. The minimum and maximum radius of circles to be cut (distance between the center of circle and the center of bit) are as follows:

- Minimum: 70 mm
- Maximum: 221 mm

For cutting circles between 70 mm and 121 mm in radius.

▶ **Fig.46:** 1. Center hole

For cutting circles between 121 mm and 221 mm in radius.

▶ **Fig.47:** 1. Center hole

NOTE: Circles between 172 mm and 186 mm in radius cannot be cut using this guide.

Align the center hole in the straight guide with the center of the circle to be cut. Drive a nail less than 6 mm in diameter into the center hole to secure the straight guide. Pivot the tool around the nail in the clockwise direction.

▶ **Fig.48:** 1. Nail 2. Center hole

Using the templet guide

Optional accessory

The templet guide allows for repetitive cut with templet patterns by using a templet.

1. Loosen the screws on the base plate, and then remove the base plate from the trimmer base.
2. Place the templet guide on the base, and then attach the base plate by tightening the screws.
▶ **Fig.49:** 1. Base plate 2. Templet guide
3. Place the tool on the templet and move the tool with the templet guide sliding along the side of the templet.
▶ **Fig.50**

NOTE: The actual cut size on the workpiece is slightly different from the templet. The difference is the distance (X) between the trimmer bit and the outside of the templet guide. The distance (X) can be calculated by using the following equation:

Distance (X) = (outside diameter of templet guide - trimmer bit diameter) / 2

▶ **Fig.51:** 1. Trimmer bit 2. Templet guide 3. Distance (X) 4. Outside diameter of templet guide

Using the trimmer guide

Optional accessory

The trimmer guide allows for trimming the curved side like veneers for furniture by moving the guide roller along the side of the workpiece.

▶ **Fig.52**

1. Loosen the clamp screw, then install the trimmer guide on the trimmer base, and then tighten the clamp screw.
▶ **Fig.53:** 1. Clamp screw
2. Loosen the clamp screw and adjust the distance between the trimmer bit and the trimmer guide by turning the adjusting screw (1 mm per turn). At the desired distance, tighten the clamp screw to secure the trimmer guide.
▶ **Fig.54:** 1. Adjusting screw 2. Clamp screw
3. Move the tool with the guide roller riding the side of the workpiece.
▶ **Fig.55:** 1. Workpiece 2. Bit 3. Guide roller

Using the tool with the tilt base

The tilt base is convenient for chamfering. Loosen the wing screws, then tilt the tool at the desired angle, and then tighten the wing screws.

Firmly clamp a straight board to the workpiece and use it as a guide against the tilt base. Feed the tool in the direction of the arrow.

▶ **Fig.56:** 1. Wing screw

Using the tilt base plate with the trimmer base

To use the trimmer base with a square base plate, remove the base plate from the tilt base, and then attach it to the trimmer base.

▶ **Fig.57:** 1. Tilt base plate 2. Trimmer base plate

Using the tool with the offset base

The offset base is convenient for work in a tight area such as a corner.

► Fig.58

Using the trimmer base with the offset base plate and grip

The offset base plate can also be used with a trimmer base and a grip attachment (optional accessory) for more stability.

1. Loosen the screws on the base plate, then remove the base plate from the offset base.

► Fig.59: 1. Offset base plate 2. Trimmer base plate

2. Attach the offset base plate to the trimmer base by tightening the screws.

3. Attach the grip attachment and the bar type grip to the offset base plate by tightening the screws.

► Fig.60: 1. Bar type grip 2. Grip attachment

The knob type grip removed from the plunge base can be installed on the offset base instead of the bar type grip.

► Fig.61: 1. Screw 2. Knob type grip

Using the tool with the plunge base

Always hold the grips firmly with both hands during operation. Operate the tool in the same way as the trimmer base.

Using the straight guide

Optional accessory

1. Install the straight guide to the guide holder by tightening the wing nut. Insert the guide holder into the holes in the plunge base, and then tighten the wing bolts.

► Fig.62: 1. Wing bolt 2. Guide holder 3. Wing nut 4. Straight guide

2. Loosen the wing nut on the straight guide and adjust the distance between the bit and the straight guide. At the desired distance, tighten the wing nut.

► Fig.63: 1. Wing nut

3. Operate the tool in the same way as the straight guide for the trimmer base.

► Fig.64

Using the templet guide

Optional accessory

1. Loosen the screws on the base and remove them. Place the templet guide on the base, and then tighten the screws.

► Fig.65: 1. Screw 2. Templet guide

2. Operate the tool in the same way as the templet guide for the trimmer base.

► Fig.66

Using the parallel ruler

The parallel ruler is effectively used for straight cuts when chamfering or grooving. Adjust the distance between the bit and the parallel ruler. At the desired distance, tighten the wing bolts to secure the parallel ruler. When cutting, move the tool with the parallel ruler flush with the side of the workpiece.

► Fig.67

If the distance (A) between the side of the workpiece and the cutting position is too wide for the parallel ruler, or if the side of the workpiece is not straight, the parallel ruler cannot be used.

In this case, firmly clamp a straight board to the workpiece and use it as a guide against the plunge base. Feed the tool in the direction of the arrow.

► Fig.68

Changing knob type grip to bar type grip

To install the bar type grip on the plunge base, loosen the screw of the knob type grip, then remove the knob type grip, and then install the bar type grip by tightening it.

► Fig.69: 1. Knob type grip 2. Screw 3. Bar type grip

MAINTENANCE

CAUTION: Always be sure that the tool is switched off and the battery cartridge is removed before attempting to perform inspection or maintenance.

NOTICE: Never use gasoline, benzine, thinner, alcohol or the like. Discoloration, deformation or cracks may result.

To maintain product SAFETY and RELIABILITY, repairs, any other maintenance or adjustment should be performed by Makita Authorized or Factory Service Centers, always using Makita replacement parts.

OPTIONAL ACCESSORIES

CAUTION: These accessories or attachments are recommended for use with your Makita tool specified in this manual. The use of any other accessories or attachments might present a risk of injury to persons. Only use accessory or attachment for its stated purpose.

If you need any assistance for more details regarding these accessories, ask your local Makita Service Center.

- Straight and groove forming bits
- Edge forming bits
- Laminate trimming bits

- Straight guide assembly
- Trimmer guide assembly
- Trimmer base assembly
- Tilt base assembly
- Plunge base assembly
- Offset base assembly
- Grip attachment
- Templet guide
- Collet cone 6 mm
- Collet cone 6.35 mm (1/4")
- Collet cone 8 mm
- Collet cone 9.53 mm (3/8")
- Wrench 13
- Wrench 22
- Makita genuine battery and charger

NOTE: Some items in the list may be included in the tool package as standard accessories. They may differ from country to country.

Trimmer bits

Straight bit

► Fig.70

	D	A	L1	L2
20	6	20	50	15
20E	1/4"			
8	8	8	60	25
8	6		50	18
8E	1/4"			
6	6	6	50	18
6E	1/4"			

Unit: mm

"U" Grooving bit

► Fig.71

	D	A	L1	L2	R
6	6	6	50	18	3
6E	1/4"				

Unit: mm

"V" Grooving bit

► Fig.72

D	A	L1	L2	θ
1/4"	20	50	15	90°

Unit: mm

Drill point flush trimming bit

► Fig.73

	D	A	L1	L2	L3
8	8	6	60	20	35
6	6			18	28
6E	1/4"				

Unit: mm

Drill point double flush trimming bit

► Fig.74

	D	A	L1	L2	L3	L4
8	8	6	70	40	12	14
6	6					
6E	1/4"					

Unit: mm

Corner rounding bit

► Fig.75

	D	A1	A2	L1	L2	L3	R
8R	6	25	9	48	13	5	8
8RE	1/4"						
4R	6	20	8	45	10	4	4
4RE	1/4"						

Unit: mm

Chamfering bit

► Fig.76

D	A	L1	L2	L3	θ
6	23	46	11	6	30°
6	20	50	13	5	45°
6	20	49	14	2	60°

Unit: mm

Cove beading bit

► Fig.77

D	A	L1	L2	R
6	20	43	8	4
6	25	48	13	8

Unit: mm

Ball bearing flush trimming bit

► Fig.78

D	A	L1	L2
6	10	50	20
1/4"			

Unit: mm

Ball bearing corner rounding bit

► Fig.79

D	A1	A2	L1	L2	L3	R
6	15	8	37	7	3.5	3
6	21		40	10		
1/4"						

Unit: mm

Ball bearing chamfering bit

► Fig.80

D	A1	A2	L1	L2	θ
6	26	8	42	12	45°
1/4"					
6	20		41	11	60°

Unit: mm

Ball bearing beading bit**► Fig.81**

D	A1	A2	A3	L1	L2	L3	R
6	20	12	8	40	10	5.5	4
6	26			42	12	4.5	7

Unit: mm

Ball bearing cove beading bit**► Fig.82**

D	A1	A2	A3	A4	L1	L2	L3	R
6	20	18	12	8	40	10	5.5	3
6	26	22			42	12	5	5

Unit: mm

Ball bearing roman ogee bit**► Fig.83**

D	A1	A2	L1	L2	L3	R1	R2
6	20	8	40	10	4.5	2.5	4.5
6	26		42	12		3	6

Unit: mm

SPÉCIFICATIONS

Modèle :	DRT50
Capacité du mandrin à bague	6 mm, 8 mm, 1/4" ou 3/8"
Vitesse à vide	10 000 à 30 000 min ⁻¹
Longueur totale	226 mm
Tension nominale	18 V CC
Batterie standard	BL1815N / BL1820 / BL1820B / BL1830 / BL1830B / BL1840 / BL1840B / BL1850 / BL1850B / BL1860B
Poids net	1,8 à 2,1 kg

- Étant donné l'évolution constante de notre programme de recherche et de développement, les spécifications contenues dans ce manuel sont sujettes à modification sans préavis.
- Les spécifications et la batterie peuvent être différentes suivant les pays.
- Le poids peut être différent selon les accessoires, notamment la batterie. Les associations la plus légère et la plus lourde, conformément à la procédure EPTA 01/2014, sont indiquées dans le tableau.

Utilisations

L'outil est conçu pour l'affleurage au ras et le profilage du bois, du plastique et de matériaux semblables.

Bruit

Niveau de bruit pondéré A typique, déterminé selon EN60745 :

Niveau de pression sonore (L_{pA}) : 78 dB (A)

Incertitude (K) : 3 dB (A)

AVERTISSEMENT : Portez un serre-tête antibruit.

Vibrations

Valeur totale de vibrations (somme de vecteur triaxial) déterminée selon EN60745 :

Mode de travail : rotation sans charge

Émission de vibrations (a_{h1}) : 2,5 m/s² ou moins

Incertitude (K) : 1,5 m/s²

Mode de travail : coupe de rainures sur un panneau de fibres à densité moyenne

Émission de vibrations (a_{h1}) : 4,5 m/s²

Incertitude (K) : 1,5 m/s²

NOTE : La valeur d'émission de vibrations déclarée a été mesurée conformément à la méthode de test standard et peut être utilisée pour comparer les outils entre eux.

NOTE : La valeur d'émission de vibrations déclarée peut aussi être utilisée pour l'évaluation préliminaire de l'exposition.

AVERTISSEMENT : L'émission de vibrations lors de l'usage réel de l'outil électrique peut être différente de la valeur d'émission déclarée, suivant la façon dont l'outil est utilisé.

AVERTISSEMENT : Les mesures de sécurité à prendre pour protéger l'utilisateur doivent être basées sur une estimation de l'exposition dans des conditions réelles d'utilisation (en tenant compte de toutes les composantes du cycle d'utilisation, comme par exemple le moment de sa mise hors tension, lorsqu'il tourne à vide et le moment de son déclenchement).

Déclaration de conformité CE

Pour les pays européens uniquement

La déclaration de conformité CE est fournie en Annexe A à ce mode d'emploi.

CONSIGNES DE SÉCURITÉ

Consignes de sécurité générales pour outils électriques

AVERTISSEMENT : Veuillez lire les consignes de sécurité, instructions, illustrations et spécifications qui accompagnent cet outil électrique. Le non-respect de toutes les instructions indiquées ci-dessous peut entraîner une électrocution, un incendie et/ou de graves blessures.

Conservez toutes les mises en garde et instructions pour référence ultérieure.

Le terme « outil électrique » dans les avertissements fait référence à l'outil électrique alimenté par le secteur (avec cordon d'alimentation) ou à l'outil électrique fonctionnant sur batterie (sans cordon d'alimentation).

Consignes de sécurité pour l'affleureuse sans fil

1. Tenez l'outil électrique par une surface de prise isolée, car l'outil de coupe peut entrer en contact avec le câblage caché. Couper un câble sous tension risque de mettre à découvert les pièces métalliques de l'outil électrique sous tension et d'électrocuter l'utilisateur.
2. Utilisez des dispositifs de serrage ou un autre moyen pratique pour fixer la pièce sur une plateforme stable. La pièce sera instable et vous risquez d'en perdre la maîtrise si vous la tenez dans vos mains ou l'appuyez contre le corps.
3. Portez des protège-tympans si vous utilisez l'outil pendant une période prolongée.
4. Manipulez les fraises d'affleureuse avec beaucoup de précaution.
5. Vérifiez soigneusement l'absence de fissures ou de dommages sur les fraises d'affleureuse avant l'utilisation. Remplacez immédiatement les fraises fissurées ou abîmées.
6. Prenez garde aux clous pendant la coupe. Avant de travailler votre pièce, inspectez-la et retirez-en tous les clous.
7. Tenez l'outil fermement.
8. Gardez vos mains à l'écart des pièces en rotation.
9. Assurez-vous que la fraise d'affleureuse n'est pas en contact avec la pièce avant de mettre l'outil en marche.
10. Avant d'utiliser l'outil sur une pièce, faites-le tourner un instant à vide. Soyez attentif aux vibrations ou sautilllements pouvant indiquer que la fraise n'est pas bien installée ou est mal équilibrée.
11. Faites attention au sens de rotation de la fraise d'affleureuse et au sens d'avance.
12. N'abandonnez pas l'outil alors qu'il tourne. Ne faites fonctionner l'outil qu'une fois que vous l'avez bien en main.
13. Avant de retirer l'outil de la pièce, mettez toujours l'outil hors tension et attendez que la fraise d'affleureuse soit complètement immobilisée.
14. Ne touchez pas la fraise d'affleureuse immédiatement après avoir terminé le travail ; elle peut être très chaude et vous brûler la peau.
15. Prenez garde de ne pas tacher le socle de l'outil avec du diluant, de l'essence, de l'huile ou toute substance similaire. Elles peuvent entraîner des fissures sur le socle de l'outil.
16. Utilisez des fraises d'affleureuse dont le diamètre de la tige convient à la vitesse de l'outil.
17. Certains matériaux contiennent des produits chimiques qui peuvent être toxiques. Prenez les précautions nécessaires pour ne pas inhaler les poussières qu'ils dégagent et pour éviter tout contact avec la peau. Suivez les données de sécurité du fournisseur du matériau.

18. Portez toujours un masque anti-poussières/un masque filtrant adapté au matériau travaillé et à l'application utilisée.

CONSERVEZ CES INSTRUCTIONS.

AVERTISSEMENT : NE vous laissez PAS tromper (au fil d'une utilisation répétée) par un sentiment d'aisance et de familiarité avec le produit, en négligeant le respect rigoureux des consignes de sécurité qui accompagnent le produit en question. La MAUVAISE UTILISATION de l'outil ou l'ignorance des consignes de sécurité indiquées dans ce mode d'emploi peut entraîner de graves blessures.

Consignes de sécurité importantes pour la batterie

1. Avant d'utiliser la batterie, lisez toutes les instructions et précautions relatives (1) au chargeur de batterie, (2) à la batterie, et (3) au produit utilisant la batterie.
2. Ne démontez pas la batterie.
3. Cessez immédiatement l'utilisation si le temps de fonctionnement devient excessivement court. Il y a un risque de surchauffe, de brûlures, voire d'explosion.
4. Si l'électrolyte pénètre dans vos yeux, rincez-les à l'eau claire et consultez immédiatement un médecin. Il y a un risque de perte de la vue.
5. Ne court-circuitez pas la batterie :
 - (1) Ne touchez les bornes avec aucun matériau conducteur.
 - (2) Évitez de ranger la batterie dans un conteneur avec d'autres objets métalliques, par exemple des clous, des pièces de monnaie, etc.
 - (3) N'exposez pas la batterie à l'eau ou à la pluie.Un court-circuit de la batterie peut provoquer une intensité de courant élevée, une surchauffe, parfois des brûlures et même une panne.
6. Ne rangez pas l'outil et la batterie dans un endroit où la température risque d'atteindre ou de dépasser 50 °C.
7. Ne jetez pas la batterie au feu même si elle est sérieusement endommagée ou complètement épuisée. La batterie peut exploser au contact du feu.
8. Évitez de laisser tomber ou de cogner la batterie.
9. N'utilisez pas la batterie si elle est endommagée.
10. Les batteries au lithium-ion contenues sont soumises aux exigences de la législation sur les marchandises dangereuses. Lors du transport commercial par des tiers parties ou des transitaires par exemple, des exigences spécifiques en matière d'étiquetage et d'emballage doivent être respectées.

Pour la préparation de l'article expédié, il est nécessaire de consulter un expert en matériau dangereux. Veuillez également respecter les réglementations nationales susceptibles d'être plus détaillées.

Recouvrez les contacts exposés avec du ruban adhésif ou du ruban de masquage et emballez la batterie de telle sorte qu'elle ne puisse pas bouger dans l'emballage.

11. **Suivez les réglementations locales en matière de mise au rebut des batteries.**

CONSERVEZ CES INSTRUCTIONS.

⚠ATTENTION : N'utilisez que des batteries Makita d'origine. L'utilisation de batteries de marque autre que Makita ou de batteries modifiées peut provoquer l'explosion des batteries, ce qui présente un risque d'incendie, de dommages matériels et corporels. Cela annulera également la garantie Makita pour l'outil et le chargeur Makita.

Conseils pour assurer la durée de vie optimale de la batterie

1. **Chargez la batterie avant qu'elle ne soit complètement déchargée. Arrêtez toujours l'outil et rechargez la batterie quand vous remarquez que la puissance de l'outil diminue.**
2. **Ne rechargez jamais une batterie complètement chargée. La surcharge réduit la durée de service de la batterie.**
3. **Chargez la batterie à une température ambiante comprise entre 10 °C et 40 °C. Avant de charger une batterie chaude, laissez-la refroidir.**
4. **Rechargez la batterie si elle est restée inutilisée pendant une période prolongée (plus de six mois).**

DESCRIPTION DU FONCTIONNEMENT

⚠ATTENTION : Assurez-vous toujours que l'outil est hors tension et que sa batterie est retirée avant de l'ajuster ou de vérifier son fonctionnement.

Insertion ou retrait de la batterie

⚠ATTENTION : Éteignez toujours l'outil avant de mettre en place ou de retirer la batterie.

⚠ATTENTION : Tenez fermement l'outil et la batterie lors de la mise en place ou du retrait de la batterie. Si vous ne tenez pas fermement l'outil et la batterie, ils peuvent vous glisser des mains, et s'abîmer ou vous blesser.

► Fig.1: 1. Voyant rouge 2. Bouton 3. Batterie

Pour retirer la batterie, faites-la glisser hors de l'outil tout en faisant glisser le bouton à l'avant de la batterie.

Pour mettre en place la batterie, alignez la languette sur la batterie avec la rainure sur le compartiment et insérez-la. Insérez-la à fond jusqu'à ce qu'un léger déclic se fasse entendre. Si le voyant rouge sur le dessus du bouton est visible, cela signifie qu'elle n'est pas bien verrouillée.

⚠ATTENTION : Insérez toujours complètement la batterie jusqu'à ce que le voyant rouge ne soit plus visible. Sinon, elle pourrait tomber accidentellement de l'outil, au risque de vous blesser ou de blesser quelqu'un se trouvant près de vous.

⚠ATTENTION : N'insérez pas la batterie de force. Si elle ne glisse pas facilement, c'est que vous ne l'insérez pas correctement.

Indication de la charge restante de la batterie

Uniquement pour les batteries avec voyant lumineux

► Fig.2: 1. Témoins 2. Bouton de vérification

Appuyez sur le bouton de vérification sur la batterie pour indiquer la charge restante de la batterie. Les témoins s'allument pendant quelques secondes.

Témoins			Charge restante
Allumé	Éteint	Clignotant	
■	□	▧	75 % à 100 %
■	■	■	
■	■	□	50 % à 75 %
■	□	□	25 % à 50 %
■	□	□	0 % à 25 %
▧	□	□	Chargez la batterie.
■	■	□	Anomalie possible de la batterie.
□	□	■	

NOTE : Selon les conditions d'utilisation et la température ambiante, l'indication peut être légèrement différente de la capacité réelle.

Système de protection de l'outil/la batterie

L'outil est équipé d'un système de protection de l'outil/la batterie. Ce système coupe automatiquement l'alimentation vers le moteur pour prolonger la durée de vie de l'outil et de la batterie. Si l'outil ou la batterie se trouve dans l'une des situations suivantes, l'outil cessera automatiquement de fonctionner.

Protection contre la surcharge

Lorsque la batterie est utilisée d'une manière provoquant un appel de courant anormalement élevé, l'outil s'arrête automatiquement sans indication. Dans ce cas, éteignez l'outil et arrêtez la tâche ayant provoqué la surcharge de l'outil. Puis rallumez l'outil pour reprendre la tâche.

Protection contre la surchauffe

En cas de surchauffe de l'outil ou de la batterie, l'outil s'arrête automatiquement et la lampe clignote. Dans ce cas, laissez l'outil et la batterie refroidir avant de rallumer l'outil.

Protection contre la décharge totale de la batterie

Lorsque la charge de la batterie est insuffisante, l'outil s'arrête automatiquement. Dans ce cas, retirez la batterie de l'outil et chargez-la.

Fonctionnement de la gâchette

Pour mettre sous tension l'outil, appuyez sur le bouton verrouiller/déverrouiller. L'outil passe en mode veille. Pour démarrer l'outil, appuyez sur le bouton marche/arrêt en mode veille. Pour arrêter l'outil, appuyez à nouveau sur le bouton marche/arrêt. L'outil passe en mode veille. Pour mettre hors tension l'outil, appuyez sur le bouton verrouiller/déverrouiller en mode veille.

► **Fig.3:** 1. Bouton verrouiller/déverrouiller 2. Bouton marche/arrêt

NOTE : Si l'outil n'est pas utilisé pendant 10 secondes en mode veille, il se met automatiquement hors tension et le voyant s'éteint.

NOTE : Vous pouvez également arrêter et mettre hors tension l'outil en appuyant sur le bouton verrouiller/déverrouiller lorsque l'outil fonctionne.

Allumage de la lampe avant

ATTENTION : Évitez de regarder directement le faisceau lumineux ou sa source.

Pour allumer le voyant, appuyez sur le bouton verrouiller/déverrouiller. Pour éteindre le voyant, appuyez à nouveau sur le bouton verrouiller/déverrouiller.

REMARQUE : Lorsque l'outil est en surchauffe, le voyant clignote. Laissez l'outil refroidir totalement avant de le réutiliser.

NOTE : Retirez la saleté sur la lentille de la lampe avec un chiffon sec. Prenez soin de ne pas érafler la lentille de la lampe sous peine de diminuer son éclairage.

Molette de réglage de la vitesse

Il est possible de modifier la vitesse de rotation de l'outil en faisant tourner la molette de réglage de la vitesse. Le tableau ci-dessous affiche les numéros de la molette et les vitesses de rotation correspondantes.

► **Fig.4:** 1. Molette de réglage de la vitesse

Numéro	Vitesse
1	10 000 min ⁻¹
2	15 000 min ⁻¹
3	20 000 min ⁻¹
4	25 000 min ⁻¹
5	30 000 min ⁻¹

REMARQUE : L'utilisation constante de l'outil à une vitesse basse pendant un long moment entraîne une surcharge du moteur, ce qui entraîne un dysfonctionnement de l'outil.

REMARQUE : Lorsque vous changez la vitesse de la molette de « 5 » à « 1 », faites tourner la molette dans le sens inverse des aiguilles d'une montre. Ne forcez pas la rotation de la molette dans le sens des aiguilles d'une montre.

Fonction électronique

L'outil est doté de fonctions électroniques pour en faciliter le fonctionnement.

- Contrôle de vitesse constante
La fonction de contrôle de la vitesse offre une vitesse de rotation constante quelles que soient les conditions de charge.
- Démarrage progressif
La fonction de démarrage progressif réduit le choc du démarrage et permet à l'outil de démarrer doucement.

Réglage de la profondeur de la coupe

Pour régler la profondeur de la coupe, ouvrez le levier de verrouillage, puis déplacez le socle de l'outil en haut ou en bas en faisant tourner la vis de réglage. Une fois le réglage terminé, fermez bien le levier de verrouillage.

► **Fig.5:** 1. Levier de verrouillage 2. Vis de réglage

REMARQUE : Si l'outil n'est pas fixé après la fermeture du levier de verrouillage, serrez l'écrou hexagonal, puis fermez le levier de verrouillage.

► **Fig.6:** 1. Écrou hexagonal

Réglage de la profondeur de coupe à l'aide du socle de plongée

Accessoire en option

- Placez l'outil sur une surface plane.
- Sélectionnez la vis de blocage en faisant tourner le socle de blocage.
► **Fig.7:** 1. Vis de blocage 2. Socle de blocage
- Desserrez l'écrou de fixation de la barre de blocage, puis extrayez la barre de blocage tout en appuyant sur le bouton d'avance.
► **Fig.8:** 1. Barre de blocage 2. Écrou de fixation 3. Bouton d'avance
- Appuyez sur l'outil jusqu'à ce que la fraise d'affleureuse touche la surface plane, puis faites tourner le levier de fixation pour fixer l'outil.
► **Fig.9:** 1. Levier de fixation 2. Fraise d'affleureuse
- Appuyez sur la barre de blocage tout en appuyant sur le bouton d'avance jusqu'à ce qu'elle contacte la vis de blocage.
► **Fig.10:** 1. Barre de blocage 2. Vis de blocage 3. Bouton d'avance
- Faites coulisser le pointeur de profondeur de sorte qu'il indique « 0 » sur l'échelle.
► **Fig.11:** 1. Pointeur de profondeur
- Réglez la profondeur de coupe en tirant sur la barre de blocage tout en appuyant sur le bouton d'avance.
► **Fig.12:** 1. Barre de blocage 2. Bouton d'avance
- Pour effectuer un réglage fin de la profondeur de coupe, faites tourner la molette sur la barre de blocage de sorte qu'elle indique « 0 ».
► **Fig.13:** 1. Molette
- Faites tourner la tête de la barre de blocage pour obtenir la profondeur souhaitée. Pour augmenter la profondeur, faites tourner la tête dans le sens inverse des aiguilles d'une montre. Pour réduire la profondeur, faites tourner la tête dans le sens des aiguilles d'une montre.
► **Fig.14:** 1. Tête de la barre de blocage
- Serrez l'écrou de fixation de la barre de blocage.
► **Fig.15:** 1. Écrou de fixation
- Libérez le levier de fixation.
► **Fig.16:** 1. Levier de fixation

ASSEMBLAGE

ATTENTION : Assurez-vous toujours que l'outil est hors tension et que sa batterie est retirée avant d'effectuer toute tâche dessus.

Pose ou dépose de la fraise d'affleureuse

REMARQUE : Ne serrez pas l'écrou de mandrin sans insérer la fraise. Le cône de mandrin peut se casser.

Insérez à fond la fraise d'affleureuse dans le cône de mandrin. Appuyez sur le verrouillage de l'arbre et serrez l'écrou de mandrin à l'aide de la clé ou serrez solidement l'écrou de mandrin à l'aide des deux clés. Pour déposer la fraise, suivez la procédure de pose en sens inverse.

► **Fig.17:** 1. Verrouillage de l'arbre 2. Desserrer 3. Serrer 4. Clé 5. Écrou de mandrin

► **Fig.18:** 1. Clé 2. Desserrer 3. Serrer 4. Écrou de mandrin

NOTE : Le verrouillage de l'arbre peut ne pas reprendre sa position d'origine lorsque vous serrez l'écrou de mandrin pendant l'installation de la fraise d'affleureuse. Le verrouillage de l'arbre reprend sa position d'origine lorsque vous démarrez l'outil.

► **Fig.19:** 1. Verrouillage de l'arbre

Pose ou dépose du socle de l'affleureuse

- Ouvrez le levier de verrouillage du socle de l'affleureuse, puis insérez l'outil dans le socle de l'affleureuse en alignant la rainure de l'outil avec la saillie du socle de l'affleureuse.
► **Fig.20:** 1. Levier de verrouillage
 - Fermez le levier de verrouillage.
 - Fixez la buse d'aspiration de la poussière au socle de l'affleureuse, puis serrez la vis papillon.
► **Fig.21:** 1. Buse d'aspiration de la poussière 2. Vis papillon
- **Fig.22**

Pour déposer le socle, suivez la procédure de pose en sens inverse.

ATTENTION : Lorsque vous utilisez l'outil avec le socle de l'affleureuse, veillez à installer la buse d'aspiration de la poussière sur le socle de l'affleureuse.

Pose ou dépose du socle d'inclinaison

Accessoire facultatif

1. Ouvrez le levier de verrouillage du socle d'inclinaison, puis insérez l'outil dans le socle d'inclinaison en alignant la rainure de l'outil avec la saillie du socle d'inclinaison.

► **Fig.23:** 1. Levier de verrouillage

2. Fermez le levier de verrouillage.

Pour déposer le socle, suivez la procédure de pose en sens inverse.

Pose ou dépose du socle de décalage

Accessoire facultatif

1. Appuyez sur le verrouillage de l'arbre, puis desserrez l'écrou de mandrin.

► **Fig.24:** 1. Écrou de mandrin 2. Verrouillage de l'arbre 3. Clé

2. Déposez l'écrou de mandrin et le cône de mandrin.

► **Fig.25:** 1. Écrou de mandrin 2. Cône de mandrin

3. Installez la poulie sur l'outil en appuyant sur le verrouillage de l'arbre et en serrant la poulie à l'aide de la clé.

► **Fig.26:** 1. Clé 2. Poulie 3. Verrouillage de l'arbre

4. Desserrez les vis de la plaque du socle et déposez celle-ci.

► **Fig.27:** 1. Plaque du socle

5. Ouvrez le levier de verrouillage du socle de décalage, puis insérez l'outil dans le socle de décalage.

► **Fig.28:** 1. Levier de verrouillage

6. Montez la courroie à la poulie en la faisant tourner manuellement.

► **Fig.29:** 1. Poulie 2. Courroie

7. Fermez le levier de verrouillage.

► **Fig.30:** 1. Levier de verrouillage

8. Fixez la plaque du socle en serrant les vis.

► **Fig.31:** 1. Plaque du socle

9. Insérez le cône de mandrin et la fraise d'affleureuse dans le socle de décalage, puis serrez l'écrou de mandrin.

► **Fig.32:** 1. Fraise d'affleureuse 2. Écrou de mandrin 3. Cône de mandrin

10. Insérez la clé hexagonale dans le trou du socle de décalage, puis serrez l'écrou de mandrin à l'aide de la clé.

► **Fig.33:** 1. Écrou de mandrin 2. Clé 3. Clé hexagonale

Pour déposer le socle, suivez la procédure de pose en sens inverse.

NOTE : Vous pouvez également monter la courroie à la poulie sans déposer la plaque du socle comme l'illustre la figure.

► **Fig.34:** 1. Poulie 2. Courroie

Pose ou dépose du socle de plongée

Accessoire facultatif

1. Ouvrez le levier de verrouillage du socle de plongée, puis insérez à fond l'outil dans le socle de plongée en alignant la rainure de l'outil avec la saillie du socle de plongée.

► **Fig.35:** 1. Levier de verrouillage

2. Fermez le levier de verrouillage.

Pour déposer le socle, suivez la procédure de pose en sens inverse.

Pose ou dépose de la règle parallèle sur le socle de plongée

Accessoire facultatif

Insérez les barres de guidage dans les trous du socle de plongée, puis serrez les boulons à oreilles. Pour déposer la règle, suivez la procédure de pose en sens inverse.

► **Fig.36:** 1. Boulon à oreilles 2. Barre de guidage

Pose ou dépose de la buse d'aspiration de la poussière sur le socle de plongée

Insérez la buse d'aspiration de la poussière dans le socle de plongée afin que la saillie de la buse entre dans l'encoche du socle de plongée, puis serrez la vis papillon sur la buse d'aspiration de la poussière. Pour déposer la buse, suivez la procédure de pose en sens inverse.

► **Fig.37:** 1. Saillie 2. Buse d'aspiration de la poussière 3. Vis papillon

► **Fig.38**

UTILISATION

Utilisation de l'outil avec le socle de l'affleureuse

Placez le socle de l'outil sur la pièce sans que la fraise d'affleureuse touche quoi que ce soit. Mettez l'outil sous tension et attendez que la fraise ait atteint sa pleine vitesse. Déplacez l'outil vers l'avant sur la surface de la pièce. Maintenez le socle de l'outil en contact lorsque vous déplacez l'outil.

Lorsque vous coupez un bord, veillez à maintenir la surface de la pièce du côté gauche de la fraise d'affleureuse dans le sens d'avance.

► **Fig.39**

NOTE : Avant de couper la pièce, il est conseillé de faire un essai de coupe. La vitesse d'avance adéquate dépend du calibre de la fraise d'affleureuse, de la nature de la pièce et de la profondeur de coupe. Si vous déplacez votre outil trop vite vers l'avant, vous risquez d'obtenir une coupe de qualité médiocre et d'endommager la fraise ou le moteur. Si vous déplacez l'outil trop lentement, vous risquez de brûler la pièce et d'abîmer la surface de coupe.

Lorsque vous utilisez le sabot d'affleurage, le guide de coupe rectiligne ou le guide d'affleurage, veillez à l'installer sur le côté droit dans le sens d'avance. Cela vous aidera à le garder bien en contact avec le côté de la pièce.

► **Fig.40:** 1. Fraise d'affleureuse 2. Pièce 3. Guide de coupe rectiligne

REMARQUE : Parce qu'une coupe trop profonde risquerait de surcharger le moteur et de rendre difficile la maîtrise de l'outil, la profondeur de coupe ne doit pas être supérieure à 3 mm par passage lors du rainurage. Si vous désirez rainurer sur une profondeur supérieure à 3 mm, effectuez plusieurs passes en augmentant progressivement la profondeur de la fraise.

Utilisation du guide de coupe rectiligne

Accessoire en option

1. Montez le guide de coupe rectiligne à l'aide du boulon et de l'écrou à oreilles.

► **Fig.41:** 1. Boulon 2. Écrou à oreilles

2. Fixez le guide de coupe rectiligne au socle de l'affleureuse, puis serrez la vis de serrage.

► **Fig.42:** 1. Vis de serrage

3. Desserrez l'écrou à oreilles sur le guide de coupe rectiligne et réglez la distance entre la fraise et le guide de coupe rectiligne. À la distance souhaitée, serrez l'écrou à oreilles.

► **Fig.43:** 1. Écrou à oreilles

4. Déplacez l'outil, le guide de coupe rectiligne étant bien en contact avec le côté de la pièce.

► **Fig.44**

Si la distance (A) entre le côté de la pièce et la position de coupe est trop importante pour le guide de coupe rectiligne ou si le côté de la pièce n'est pas droit, le guide de coupe rectiligne ne pourra pas être utilisé.

Dans ce cas, fixez fermement une planche droite sur la pièce et servez-vous-en comme guide contre le socle de l'affleureuse. Faites avancer l'outil dans le sens de la flèche.

► **Fig.45**

Utilisation du guide de coupe rectiligne pour un travail circulaire

Pour un travail circulaire, assemblez le guide de coupe rectiligne comme l'illustrent les figures. Les rayons minimum et maximum des coupes circulaires réalisables (distance entre le centre du cercle et le centre de la fraise) sont comme suit :

- Minimum : 70 mm
- Maximum : 221 mm

Pour découper des cercles d'un rayon de 70 mm à 121 mm

► **Fig.46:** 1. Orifice central

Pour découper des cercles d'un rayon de 121 mm à 221 mm

► **Fig.47:** 1. Orifice central

NOTE : Les cercles d'un rayon de 172 mm à 186 mm ne peuvent pas être découpés en utilisant ce guide.

Alignez l'orifice central du guide de coupe rectiligne sur le centre du cercle à découper. Enfoncez un clou d'un diamètre inférieur à 6 mm dans l'orifice central pour fixer le guide de coupe rectiligne. Faites pivoter l'outil autour du clou dans le sens des aiguilles d'une montre.

► **Fig.48:** 1. Clou 2. Orifice central

Utilisation du guide de gabarit

Accessoire en option

Le guide de gabarit permet de répéter une coupe avec des modèles de gabarit en utilisant un gabarit.

1. Desserrez les vis de la plaque du socle et déposez celle-ci du socle de l'affleureuse.

2. Placez le guide de gabarit sur le socle et fixez la plaque du socle en serrant les vis.

► **Fig.49:** 1. Plaque du socle 2. Guide de gabarit

3. Placez l'outil sur le gabarit et déplacez l'outil avec le guide de gabarit glissant le long du côté du gabarit.

► **Fig.50**

NOTE : La taille de coupe effective sur la pièce est légèrement différente du gabarit. La différence est la distance (X) entre la fraise d'affleureuse et l'extérieur du guide de gabarit. L'équation suivante permet de calculer la distance (X) :

$$\text{Distance (X)} = (\text{diamètre extérieur du guide de gabarit} - \text{diamètre de la fraise d'affleureuse}) / 2$$

► **Fig.51:** 1. Fraise d'affleureuse 2. Guide de gabarit 3. Distance (X) 4. Diamètre extérieur du guide de gabarit

Utilisation du guide d'affleurage

Accessoire en option

Le guide d'affleurage permet d'affleurer le côté courbé comme les placages de meubles en déplaçant le galet de guidage sur le côté de la pièce.

► **Fig.52**

1. Desserrez la vis de serrage, puis insérez le guide d'affleurage dans le socle de l'affleureuse et serrez la vis de serrage.

► **Fig.53:** 1. Vis de serrage

2. Desserrez la vis de serrage et réglez la distance entre la fraise d'affleureuse et le guide d'affleurage en tournant la vis de réglage (1 mm par tour). À la distance souhaitée, serrez la vis de serrage pour fixer le guide d'affleurage.

► **Fig.54:** 1. Vis de réglage 2. Vis de serrage

3. Déplacez l'outil avec le galet de guidage suivant le côté de la pièce.

► **Fig.55:** 1. Pièce 2. Fraise 3. Galet de guidage

Utilisation de l'outil avec le socle d'inclinaison

Le socle d'inclinaison est pratique pour le chanfreinage. Desserrez les vis à oreilles, puis inclinez l'outil à l'angle souhaité, et serrez les vis à oreilles.

Fixez fermement une planche droite sur la pièce et servez-vous-en comme guide contre le socle d'inclinaison. Faites avancer l'outil dans le sens de la flèche.

► **Fig.56:** 1. Vis à oreilles

Utilisation de la plaque du socle d'inclinaison avec le socle de l'affleureuse

Pour utiliser le socle de l'affleureuse avec une plaque de socle carrée, retirez la plaque du socle du socle d'inclinaison, puis fixez-la au socle de l'affleureuse.

► **Fig.57:** 1. Plaque du socle d'inclinaison 2. Plaque du socle de l'affleureuse

Utilisation de l'outil avec le socle de décalage

Le socle de décalage est pratique pour travailler dans une zone étroite telle qu'un coin.

► **Fig.58**

Utilisation du socle de l'affleureuse avec la plaque du socle de décalage et la poignée

La plaque du socle de décalage peut être également utilisée avec un socle de l'affleureuse et une fixation de poignée (accessoire facultatif) pour plus de stabilité.

1. Desserrez les vis de la plaque du socle et déposez celle-ci du socle de décalage.

► **Fig.59:** 1. Plaque du socle de décalage 2. Plaque du socle de l'affleureuse

2. Fixez la plaque du socle de décalage au socle de l'affleureuse en serrant les vis.

3. Connectez la fixation de poignée et la poignée de type barre à la plaque du socle de décalage en serrant les vis.

► **Fig.60:** 1. Poignée de type barre 2. Fixation de poignée

La poignée de type pommeau extraite du socle de plongée peut être installée sur le socle de décalage au lieu de la poignée de type barre.

► **Fig.61:** 1. Vis 2. Poignée de type pommeau

Utilisation de l'outil avec le socle de plongée

Tenez toujours fermement les poignées avec les deux mains lorsque vous les utilisez. Utilisez l'outil de la même manière que le socle de l'affleureuse.

Utilisation du guide de coupe rectiligne

Accessoire en option

1. Fixez le guide de coupe rectiligne au porte-guide en serrant l'écrou à oreilles. Insérez le porte-guide dans les trous du socle de plongée, puis serrez les boulons à oreilles.

► **Fig.62:** 1. Boulon à oreilles 2. Porte-guide 3. Écrou à oreilles 4. Guide de coupe rectiligne

2. Desserrez l'écrou à oreilles sur le guide de coupe rectiligne et réglez la distance entre la fraise et le guide de coupe rectiligne. À la distance souhaitée, serrez l'écrou à oreilles.

► **Fig.63:** 1. Écrou à oreilles

3. Utilisez l'outil de la même manière que le guide de coupe rectiligne pour le socle de l'affleureuse.

► **Fig.64**

Utilisation du guide de gabarit

Accessoire en option

1. Desserrez les vis du socle et retirez-les. Placez le guide de gabarit sur le socle, puis serrez les vis.

► **Fig.65:** 1. Vis 2. Guide de gabarit

2. Utilisez l'outil de la même manière que le guide de gabarit pour le socle de l'affleureuse.

► **Fig.66**

Utilisation de la règle parallèle

La règle parallèle est efficace pour obtenir des coupes droites lors du chanfreinage ou du rainurage. Réglez la distance entre la fraise et la règle parallèle. À la distance souhaitée, serrez les boulons à oreilles pour fixer la règle parallèle. Lors de la coupe, déplacez l'outil, la règle parallèle étant bien en contact avec le côté de la pièce.

► **Fig.67**

Si la distance (A) entre le côté de la pièce et la position de coupe est trop importante pour la règle parallèle ou si le côté de la pièce n'est pas droit, la règle parallèle ne pourra pas être utilisée.

Dans ce cas, fixez fermement une planche droite sur la pièce et servez-vous-en comme guide contre le socle de plongée. Faites avancer l'outil dans le sens de la flèche.

► **Fig.68**

Remplacement de la poignée de type pommeau par la poignée de type barre

Pour installer la poignée de type barre sur le socle de plongée, desserrez la vis de la poignée de type pommeau, puis retirez-la et installez la poignée de type barre en la serrant.

► **Fig.69:** 1. Poignée de type pommeau 2. Vis 3. Poignée de type barre

ENTRETIEN

⚠ ATTENTION : Assurez-vous toujours que l'outil est hors tension et que la batterie est retirée avant d'y effectuer tout travail d'inspection ou d'entretien.

REMARQUE : N'utilisez jamais d'essence, benzine, diluant, alcool ou autre produit similaire. Cela risquerait de provoquer la décoloration, la déformation ou la fissuration de l'outil.

Pour assurer la SÉCURITÉ et la FIABILITÉ du produit, toute réparation, tout travail d'entretien ou de réglage doivent être effectués par un centre d'entretien Makita agréé, avec des pièces de rechange Makita.

ACCESSOIRES EN OPTION

⚠ ATTENTION : Ces accessoires ou pièces complémentaires sont recommandés pour l'utilisation avec l'outil Makita spécifié dans ce mode d'emploi. L'utilisation de tout autre accessoire ou pièce complémentaire peut comporter un risque de blessure. N'utilisez les accessoires ou pièces complémentaires qu'aux fins auxquelles ils ont été conçus.

Pour obtenir plus de détails sur ces accessoires, contactez votre centre d'entretien local Makita.

- Fraises droite et de formation de rainure
- Fraises de formation de bord
- Fraises d'affleurage de stratifié
- Ensemble guide de coupe rectiligne
- Ensemble guide d'affleurage
- Ensemble socle de l'affleureuse
- Ensemble socle d'inclinaison
- Ensemble socle de plongée
- Ensemble socle de décalage
- Fixation de poignée
- Guide de gabarit
- Cône de mandrin 6 mm
- Cône de mandrin 6,35 mm (1/4")
- Cône de mandrin 8 mm
- Cône de mandrin 9,53 mm (3/8")
- Clé 13
- Clé 22
- Batterie et chargeur Makita d'origine

NOTE : Il se peut que certains éléments de la liste soient compris dans l'emballage de l'outil en tant qu'accessoires standard. Ils peuvent varier d'un pays à l'autre.

Fraises d'affleureuse

Fraise droite

► Fig.70

	D	A	L1	L2
20	6	20	50	15
20E	1/4"			
8	8	8	60	25
8	6		50	18
8E	1/4"			
6	6	6	50	18
6E	1/4"			

Unité : mm

Fraise à rainure « U »

► Fig.71

	D	A	L1	L2	R
6	6	6	50	18	3
6E	1/4"				

Unité : mm

Fraise à rainure « V »

► Fig.72

D	A	L1	L2	θ
1/4"	20	50	15	90°

Unité : mm

Fraise à affleurer à pointe de foret

► Fig.73

	D	A	L1	L2	L3
8	8	8	60	20	35
6	6	6		18	28
6E	1/4"				

Unité : mm

Fraise à affleurer à pointe de foret combinaison double

► Fig.74

	D	A	L1	L2	L3	L4
8	8	8	80	95	20	25
6	6	6	70	40	12	14
6E	1/4"					

Unité : mm

Fraise quart de rond

► Fig.75

	D	A1	A2	L1	L2	L3	R
8R	6	25	9	48	13	5	8
8RE	1/4"						
4R	6	20	8	45	10	4	4
4RE	1/4"						

Unité : mm

Fraise à chanfreiner**► Fig.76**

D	A	L1	L2	L3	θ
6	23	46	11	6	30°
6	20	50	13	5	45°
6	20	49	14	2	60°

Unité : mm

Fraise pour panneau mouluré en cavet**► Fig.77**

D	A	L1	L2	R
6	20	43	8	4
6	25	48	13	8

Unité : mm

Fraise à affleurer à roulement**► Fig.78**

D	A	L1	L2
6	10	50	20
1/4"			

Unité : mm

Fraise quart de rond à roulement**► Fig.79**

D	A1	A2	L1	L2	L3	R
6	15	8	37	7	3,5	3
6	21		40	10		6
1/4"						

Unité : mm

Fraise à chanfreiner à roulement**► Fig.80**

D	A1	A2	L1	L2	θ
6	26	8	42	12	45°
1/4"					
6	20		41	11	60°

Unité : mm

Fraise à moulurer à roulement**► Fig.81**

D	A1	A2	A3	L1	L2	L3	R
6	20	12	8	40	10	5,5	4
6	26			42	12	4,5	7

Unité : mm

Fraise pour panneau mouluré en cavet à roulement**► Fig.82**

D	A1	A2	A3	A4	L1	L2	L3	R
6	20	18	12	8	40	10	5,5	3
6	26	22			42	12	5	5

Unité : mm

Fraise à doucine à roulement**► Fig.83**

D	A1	A2	L1	L2	L3	R1	R2
6	20	8	40	10	4,5	2,5	4,5
6	26		42	12		3	6

Unité : mm

TECHNISCHE DATEN

Modell:	DRT50
Spannzangenfutterkapazität	6 mm, 8 mm, 1/4" oder 3/8"
Leerlaufdrehzahl	10.000 - 30.000 min ⁻¹
Gesamtlänge	226 mm
Nennspannung	18 V Gleichstrom
Standard-Akku	BL1815N / BL1820 / BL1820B / BL1830 / BL1830B / BL1840 / BL1840B / BL1850 / BL1850B / BL1860B
Nettogewicht	1,8 - 2,1 kg

- Wir behalten uns vor, Änderungen der technischen Daten im Zuge der Entwicklung und des technischen Fortschritts ohne vorherige Ankündigung vorzunehmen.
- Die technischen Daten und der Akku können von Land zu Land unterschiedlich sein.
- Das Gewicht kann abhängig von dem Aufsatz (den Aufsätzen), einschließlich des Akkus, unterschiedlich sein. Die leichteste und die schwerste Kombination, gemäß dem EPTA-Verfahren 01/2014, sind in der Tabelle angegeben.

Vorgesehene Verwendung

Das Werkzeug ist zum Bündigfräsen und Profildrehen von Holz, Kunststoff und ähnlichen Materialien vorgesehen.

Geräusch

Typischer A-bewerteter Geräuschpegel ermittelt gemäß EN60745:

Schalldruckpegel (L_{pA}): 78 dB (A)

Messunsicherheit (K): 3 dB (A)

⚠️ WARNUNG: Einen Gehörschutz tragen.

Schwingungen

Schwingungsgesamtwert (Drei-Achsen-Vektorsumme) ermittelt gemäß EN60745:

Arbeitsmodus: Drehung ohne Last

Schwingungsemission (a_h): 2,5 m/s² oder weniger

Messunsicherheit (K): 1,5 m/s²

Arbeitsmodus: Nutenfräsen in MDF

Schwingungsemission (a_h): 4,5 m/s²

Messunsicherheit (K): 1,5 m/s²

HINWEIS: Der angegebene

Schwingungsemissionswert wurde im Einklang mit der Standardprüfmethode gemessen und kann für den Vergleich zwischen Werkzeugen herangezogen werden.

HINWEIS: Der angegebene

Schwingungsemissionswert kann auch für eine Vorbewertung des Gefährdungsgrads verwendet werden.

⚠️ WARNUNG: Die Schwingungsemission während der tatsächlichen Benutzung des Elektrowerkzeugs kann je nach der Benutzungsweise des Werkzeugs vom angegebenen Emissionswert abweichen.

⚠️ WARNUNG: Identifizieren Sie Sicherheitsmaßnahmen zum Schutz des Benutzers anhand einer Schätzung des Gefährdungsgrads unter den tatsächlichen Benutzungsbedingungen (unter Berücksichtigung aller Phasen des Arbeitszyklus, wie z. B. Ausschalt- und Leerlaufzeiten des Werkzeugs zusätzlich zur Betriebszeit).

EG-Konformitätserklärung

Nur für europäische Länder

Die EG-Konformitätserklärung ist als Anhang A in dieser Bedienungsanleitung enthalten.

SICHERHEITSWARNUNGEN

Allgemeine Sicherheitswarnungen für Elektrowerkzeuge

⚠️ WARNUNG: Lesen Sie alle mit diesem Elektrowerkzeug gelieferten Sicherheitswarnungen, Anweisungen, Abbildungen und technischen Daten durch. Eine Missachtung der unten aufgeführten Anweisungen kann zu einem elektrischen Schlag, Brand und/oder schweren Verletzungen führen.

Bewahren Sie alle Warnungen und Anweisungen für spätere Bezugnahme auf.

Der Ausdruck „Elektrowerkzeug“ in den Warnhinweisen bezieht sich auf Ihr mit Netzstrom (mit Kabel) oder Akku (ohne Kabel) betriebenes Elektrowerkzeug.

Sicherheitswarnungen für Akku-Multifunktionsfräse

1. Halten Sie das Elektrowerkzeug an den isolierten Griffflächen, weil die Gefahr besteht, dass der Fräser verborgene Kabel kontaktiert. Bei Kontakt mit einem Strom führenden Kabel werden die freiliegenden Metallteile des Elektrowerkzeugs ebenfalls Strom führend, so dass der Benutzer einen elektrischen Schlag erleiden kann.
2. Verwenden Sie Klemmen oder eine andere praktische Methode, um das Werkstück auf einer stabilen Unterlage zu sichern und abzustützen. Wenn Sie das Werkstück nur mit der Hand oder gegen Ihren Körper halten, befindet es sich in einer instabilen Lage, die zum Verlust der Kontrolle führen kann.
3. Tragen Sie bei längeren Betriebszeitspannen einen Gehörschutz.
4. Behandeln Sie die Fräseinsätze mit größter Sorgfalt.
5. Überprüfen Sie den Fräseinsatz vor dem Betrieb sorgfältig auf Risse oder Beschädigung. Wechseln Sie einen gerissenen oder beschädigten Einsatz unverzüglich aus.
6. Vermeiden Sie das Schneiden von Nägeln. Untersuchen Sie das Werkstück sorgfältig auf Nägel, und entfernen Sie diese vor der Bearbeitung.
7. Halten Sie das Werkzeug mit festem Griff.
8. Halten Sie Ihre Hände von rotierenden Teilen fern.
9. Vergewissern Sie sich vor dem Einschalten des Werkzeugs, dass der Fräseinsatz nicht das Werkstück berührt.
10. Lassen Sie das Werkzeug vor der eigentlichen Bearbeitung eines Werkstücks eine Weile laufen. Achten Sie auf Vibrationen oder Taumelbewegungen, die auf einen falsch montierten Einsatz hindeuten können.
11. Achten Sie sorgfältig auf die Drehrichtung und die Vorschubrichtung des Fräseinsatzes.
12. Lassen Sie das Werkzeug nicht unbeaufsichtigt laufen. Benutzen Sie das Werkzeug nur im handgeführten Einsatz.
13. Schalten Sie das Werkzeug stets aus, und warten Sie, bis der Fräseinsatz zum vollständigen Stillstand kommt, bevor Sie ihn aus dem Werkstück herausnehmen.
14. Vermeiden Sie eine Berührung des Fräseinsatzes unmittelbar nach der Bearbeitung, weil er dann noch sehr heiß ist und Hautverbrennungen verursachen kann.
15. Beschmieren Sie die Grundplatte nicht achtlos mit Verdünner, Benzin, Öl oder dergleichen. Diese Stoffe können Risse in der Grundplatte verursachen.
16. Verwenden Sie Fräseinsätze mit korrektem Schaftdurchmesser, die für die Drehzahl des Werkzeugs geeignet sind.

17. Manche Materialien können giftige Chemikalien enthalten. Treffen Sie Vorsichtsmaßnahmen, um das Einatmen von Arbeitsstaub und Hautkontakt zu verhindern. Befolgen Sie die Sicherheitsdaten des Materiallieferanten.
18. Verwenden Sie stets die korrekte Staubschutz-/Atemmaske für das jeweilige Material und die Anwendung.

DIESE ANWEISUNGEN AUFBEWAHREN.

⚠️ WARNUNG: Lassen Sie sich NICHT durch Bequemlichkeit oder Vertrautheit mit dem Produkt (durch wiederholten Gebrauch erworben) von der strikten Einhaltung der Sicherheitsregeln für das vorliegende Produkt abhalten. MISSBRAUCH oder Missachtung der Sicherheitsvorschriften in dieser Anleitung können schwere Personenschäden verursachen.

Wichtige Sicherheitsanweisungen für Akku

1. Lesen Sie vor der Benutzung des Akkus alle Anweisungen und Warnhinweise, die an (1) Ladegerät, (2) Akku und (3) Akkuwerkzeug angebracht sind.
2. Unterlassen Sie ein Zerlegen des Akkus.
3. Falls die Betriebszeit beträchtlich kürzer geworden ist, stellen Sie den Betrieb sofort ein. Anderenfalls besteht die Gefahr von Überhitzung, möglichen Verbrennungen und sogar einer Explosion.
4. Falls Elektrolyt in Ihre Augen gelangt, waschen Sie sie mit sauberem Wasser aus, und begeben Sie sich unverzüglich in ärztliche Behandlung. Anderenfalls können Sie Ihre Sehkraft verlieren.
5. Der Akku darf nicht kurzgeschlossen werden:
 - (1) Die Kontakte dürfen nicht mit leitfähigem Material berührt werden.
 - (2) Lagern Sie den Akku nicht in einem Behälter zusammen mit anderen Metallgegenständen, wie z. B. Nägel, Münzen usw.
 - (3) Setzen Sie den Akku weder Wasser noch Regen aus.Ein Kurzschluss des Akkus verursacht starken Stromfluss, der Überhitzung, mögliche Verbrennungen und einen Defekt zur Folge haben kann.
6. Lagern Sie das Werkzeug und den Akku nicht an Orten, an denen die Temperatur 50 °C erreichen oder überschreiten kann.
7. Versuchen Sie niemals, den Akku zu verbrennen, selbst wenn er stark beschädigt oder vollkommen verbraucht ist. Der Akku kann im Feuer explodieren.
8. Achten Sie darauf, dass der Akku nicht fallen gelassen oder Stößen ausgesetzt wird.
9. Benutzen Sie keine beschädigten Akkus.

10. **Die enthaltenen Lithium-Ionen-Akkus unterliegen den Anforderungen der Gefahrgut-Gesetzgebung.**
Für kommerzielle Transporte, z. B. durch Dritte oder Spediteure, müssen besondere Anforderungen zu Verpackung und Etikettierung beachtet werden.
Zur Vorbereitung des zu transportierenden Artikels ist eine Beratung durch einen Experten für Gefahrgut erforderlich. Bitte beachten Sie möglicherweise ausführlichere nationale Vorschriften. Überkleben oder verdecken Sie offene Kontakte, und verpacken Sie den Akku so, dass er sich in der Verpackung nicht umher bewegen kann.
11. **Befolgen Sie die örtlichen Bestimmungen bezüglich der Entsorgung von Akkus.**

DIESE ANWEISUNGEN AUFBEWAHREN.

⚠ VORSICHT: Verwenden Sie nur Original-Makita-Akkus. Die Verwendung von Nicht-Original-Makita-Akkus oder von Akkus, die abgeändert worden sind, kann zum Bersten des Akkus und daraus resultierenden Bränden, Personenschäden und Beschädigung führen. Außerdem wird dadurch die Makita-Garantie für das Makita-Werkzeug und -Ladegerät ungültig.

Hinweise zur Aufrechterhaltung der maximalen Akku-Nutzungsdauer

1. **Laden Sie den Akku, bevor er vollkommen erschöpft ist. Schalten Sie das Werkzeug stets aus, und laden Sie den Akku, wenn Sie ein Nachlassen der Werkzeugleistung feststellen.**
2. **Unterlassen Sie erneutes Laden eines voll aufgeladenen Akkus. Überladen führt zu einer Verkürzung der Nutzungsdauer des Akkus.**
3. **Laden Sie den Akku bei Raumtemperatur zwischen 10 – 40 °C. Lassen Sie einen heißen Akku abkühlen, bevor Sie ihn laden.**
4. **Der Akku muss geladen werden, wenn er lange Zeit (länger als sechs Monate) nicht benutzt wird.**

FUNKTIONSBESCHREIBUNG

⚠ VORSICHT: Vergewissern Sie sich vor der Durchführung von Einstellungen oder Funktionsprüfungen des Werkzeugs stets, dass das Werkzeug ausgeschaltet und der Akku abgenommen ist.

Anbringen und Abnehmen des Akkus

⚠ VORSICHT: Schalten Sie das Werkzeug stets aus, bevor Sie den Akku anbringen oder abnehmen.

⚠ VORSICHT: Halten Sie das Werkzeug und den Akku beim Anbringen oder Abnehmen des Akkus sicher fest. Wenn Sie das Werkzeug und den Akku nicht sicher festhalten, können sie Ihnen aus der Hand rutschen, was zu einer Beschädigung des Werkzeugs und des Akkus und zu Körperverletzungen führen kann.

► **Abb.1:** 1. Rote Anzeige 2. Knopf 3. Akku

Ziehen Sie den Akku zum Abnehmen vom Werkzeug ab, während Sie den Knopf an der Vorderseite des Akkus verschieben.

Richten Sie zum Anbringen des Akkus dessen Führungsfeder auf die Nut im Gehäuse aus, und schieben Sie den Akku hinein. Schieben Sie ihn vollständig ein, bis er mit einem hörbaren Klicken einrastet. Falls die rote Anzeige an der Oberseite des Knopfes sichtbar ist, ist der Akku nicht vollständig verriegelt.

⚠ VORSICHT: Schieben Sie den Akku stets bis zum Anschlag ein, bis die rote Anzeige nicht mehr sichtbar ist. Anderenfalls kann er aus dem Werkzeug herausfallen und Sie oder umstehende Personen verletzen.

⚠ VORSICHT: Unterlassen Sie Gewaltanwendung beim Anbringen des Akkus. Falls der Akku nicht reibungslos hineingleitet, ist er nicht richtig ausgerichtet.

Anzeigen der Akku-Restkapazität

Nur für Akkus mit Anzeige

► **Abb.2:** 1. Anzeigelampen 2. Prüftaste

Drücken Sie die Prüftaste am Akku, um die Akku-Restkapazität anzuzeigen. Die Anzeigelampen leuchten wenige Sekunden lang auf.

Anzeigelampen			Restkapazität
Erleuchtet	Aus	Blinkend	
■	□	▧	75 % bis 100 %
■ ■ ■ ■			50% bis 75%
■ ■	□ □		25% bis 50%
■	□ □ □ □		0% bis 25%
▧	□ □ □ □		Den Akku aufladen.
■ ■	□ □		Möglicherweise liegt eine Funktionsstörung im Akku vor.
□ □	■ ■		

HINWEIS: Abhängig von den Benutzungsbedingungen und der Umgebungstemperatur kann die Anzeige geringfügig von der tatsächlichen Kapazität abweichen.

Werkzeug/Akku-Schutzsystem

Das Werkzeug ist mit einem Werkzeug/Akku-Schutzsystem ausgestattet. Dieses System schaltet die Stromversorgung des Motors automatisch ab, um die Lebensdauer von Werkzeug und Akku zu verlängern. Das Werkzeug bleibt während des Betriebs automatisch stehen, wenn das Werkzeug oder der Akku einer der folgenden Bedingungen unterliegt:

Überlastschutz

Wird der Akku auf eine Weise benutzt, die eine ungewöhnlich hohe Stromaufnahme bewirkt, bleibt das Werkzeug ohne jegliche Anzeige automatisch stehen. Schalten Sie in dieser Situation das Werkzeug aus, und brechen Sie die Arbeit ab, die eine Überlastung des Werkzeugs verursacht hat. Schalten Sie dann das Werkzeug wieder ein, um es neu zu starten.

Überhitzungsschutz

Wenn das Werkzeug oder der Akku überhitzt wird, bleibt das Werkzeug automatisch stehen, und die Lampe beginnt zu blinken. Lassen Sie das Werkzeug und den Akku in diesem Fall abkühlen, bevor Sie das Werkzeug wieder einschalten.

Überentladungsschutz

Wenn die Akkukapazität unzureichend wird, bleibt das Werkzeug automatisch stehen. Nehmen Sie in diesem Fall den Akku vom Werkzeug ab, und laden Sie ihn auf.

Schalterfunktion

Drücken Sie zum Einschalten des Werkzeugs die Ver-/Entriegelungstaste. Das Werkzeug wird in den Bereitschaftsmodus versetzt. Drücken Sie zum Starten des Werkzeugs die Start/Stopp-Taste im Bereitschaftsmodus. Zum Stoppen des Werkzeugs drücken Sie die Start/Stopp-Taste erneut. Das Werkzeug wird in den Bereitschaftsmodus versetzt. Drücken Sie zum Ausschalten des Werkzeugs die Ver-/Entriegelungstaste im Bereitschaftsmodus.

► **Abb.3:** 1. Ver-/Entriegelungstaste 2. Start/Stopp-Taste

HINWEIS: Bleibt das Werkzeug etwa 10 Sekunden lang ohne Bedienung im Bereitschaftsmodus, schaltet es sich automatisch aus, und die Lampe erlischt.

HINWEIS: Sie können das Werkzeug auch anhalten und ausschalten, indem Sie die Ver-/Entriegelungstaste während des Betriebs des Werkzeugs drücken.

Einschalten der Frontlampe

⚠ VORSICHT: Blicken Sie nicht direkt in die Lampe oder die Lichtquelle.

Zum Einschalten der Lampe drücken Sie die Ver-/Entriegelungstaste. Zum Ausschalten der Lampe drücken Sie die Ver-/Entriegelungstaste erneut.

ANMERKUNG: Bei Überhitzung des Werkzeugs blinkt die Lampe. Lassen Sie das Werkzeug vollständig abkühlen, bevor Sie es wieder in Betrieb nehmen.

HINWEIS: Wischen Sie Schmutz auf der Lampenlinse mit einem trockenen Tuch ab. Achten Sie sorgfältig darauf, dass Sie die Lampenlinse nicht verkratzen, weil sich sonst die Lichtstärke verringert.

Drehzahl-Stellrad

Die Drehzahl des Werkzeugs kann durch Drehen des Drehzahl-Stellrads geändert werden. Die nachstehende Tabelle gibt die Drehzahlen an, die den Nummern auf dem Stellrad entsprechen.

► **Abb.4:** 1. Drehzahl-Stellrad

Nummer	Drehzahl
1	10.000 min ⁻¹
2	15.000 min ⁻¹
3	20.000 min ⁻¹
4	25.000 min ⁻¹
5	30.000 min ⁻¹

ANMERKUNG: Wird das Werkzeug über längere Zeitspannen im Dauerbetrieb mit niedriger Drehzahl betrieben, führt das zu einer Überlastung des Motors, die eine Funktionsstörung des Werkzeugs zur Folge haben kann.

ANMERKUNG: Um das Drehzahl-Stellrad von „5“ bis „1“ zu verstellen, drehen Sie das Stellrad entgegen dem Uhrzeigersinn. Drehen Sie das Stellrad nicht gewaltsam im Uhrzeigersinn.

Elektronikfunktionen

Das Werkzeug ist für komfortablen Betrieb mit Elektronikfunktionen ausgestattet.

- **Konstantdrehzahlregelung**
Die Drehzahlregelfunktion liefert eine konstante Drehzahl ungeachtet der Lastbedingungen.
- **Sanftanlauf**
Die Sanftanlauf-Funktion reduziert Anlaufstöße auf ein Minimum und bewirkt ruckfreies Anlaufen des Werkzeugs.

Einstellen der Frästiefe

Zum Einstellen der Frästiefe öffnen Sie den Spannhebel, und verstellen Sie dann die Grundplatte durch Drehen der Einstellschraube nach oben oder unten. Denken Sie daran, den Spannhebel nach der Einstellung wieder einwandfrei zu schließen.

► **Abb.5:** 1. Spannhebel 2. Einstellschraube

ANMERKUNG: Wenn das Werkzeug nicht gesichert ist, obwohl der Spannhebel angezogen ist, ziehen Sie die Sechskantmutter an, und schließen Sie dann den Spannhebel.

► **Abb.6:** 1. Sechskantmutter

Einstellen der Frästiefe mit dem Eintauch-Fräskorb

Sonderzubehör

1. Stellen Sie das Werkzeug auf eine ebene Fläche.
2. Wählen Sie die Anschlagsschraube durch Drehen der Anschlagbasis aus.
► **Abb.7:** 1. Anschlagsschraube 2. Anschlagbasis
3. Lösen Sie die Anschlagstangen-Feststellmutter, und ziehen Sie dann die Anschlagstange hoch, während Sie den Vorschubknopf drücken.
► **Abb.8:** 1. Anschlagstange 2. Feststellmutter 3. Vorschubknopf
4. Drücken Sie das Werkzeug nach unten, bis die Spitze des Fräseinsatzes die ebene Fläche berührt, und drehen Sie dann den Fixierhebel zum Sichern des Werkzeugs.
► **Abb.9:** 1. Fixierhebel 2. Fräseinsatz
5. Drücken Sie die Anschlagstange nach unten, während Sie den Vorschubknopf hineindrücken, bis sie die Anschlagsschraube berührt.
► **Abb.10:** 1. Anschlagstange 2. Anschlagsschraube 3. Vorschubknopf
6. Verschieben Sie den Tiefenzeiger, so dass der Zeiger auf „0“ an der Skala zeigt.
► **Abb.11:** 1. Tiefenzeiger
7. Stellen Sie die Frästiefe durch Hochziehen der Anschlagstange ein, während Sie den Vorschubknopf drücken.

► **Abb.12:** 1. Anschlagstange 2. Vorschubknopf

8. Um eine Feineinstellung der Frästiefe durchzuführen, drehen Sie das Einstellrad an der Anschlagstange, so dass es „0“ anzeigt.

► **Abb.13:** 1. Einstellrad

9. Drehen Sie den Kopf der Anschlagstange, um die gewünschte Tiefe zu erhalten. Zum Vergrößern der Tiefe drehen Sie den Kopf entgegen dem Uhrzeigersinn. Zum Verringern der Tiefe drehen Sie den Kopf im Uhrzeigersinn.

► **Abb.14:** 1. Kopf der Anschlagstange

10. Ziehen Sie die Anschlagstangen-Feststellmutter an.

► **Abb.15:** 1. Feststellmutter

11. Lösen Sie den Fixierhebel.

► **Abb.16:** 1. Fixierhebel

MONTAGE

⚠ VORSICHT: Vergewissern Sie sich vor der Ausführung von Arbeiten am Werkzeug stets, dass das Werkzeug ausgeschaltet und der Akku abgenommen ist.

Montage und Demontage des Fräseinsatzes

ANMERKUNG: Ziehen Sie die Spannzangenmutter nicht ohne eingefügten Einsatz an. Anderenfalls kann der Spannzangenkonus brechen.

Führen Sie den Fräseinsatz bis zum Anschlag in den Spannzangenkonus ein. Drücken Sie die Spindelarreterierung, und ziehen Sie die Spannzangenmutter mit dem Schraubenschlüssel an, oder ziehen Sie die Spannzangenmutter mit den beiden Schraubenschlüsseln sicher fest. Zum Abnehmen des Einsatzes wenden Sie das Montageverfahren umgekehrt an.

► **Abb.17:** 1. Spindelarreterierung 2. Lösen 3. Anziehen 4. Schraubenschlüssel 5. Spannzangenmutter

► **Abb.18:** 1. Schraubenschlüssel 2. Lösen 3. Anziehen 4. Spannzangenmutter

HINWEIS: Die Spindelarreterierung kehrt u. U. nicht auf die Ausgangsposition zurück, wenn Sie die Spannzangenmutter bei der Installation des Fräseinsatzes anziehen. Die Spindelarreterierung kehrt auf die Ausgangsposition zurück, wenn Sie das Werkzeug starten.

► **Abb.19:** 1. Spindelarreterierung

Montieren und Demontieren des Fräskorbs

1. Öffnen Sie den Spannhebel des Fräskorbs, und führen Sie dann das Werkzeug in den Fräskorb ein, wobei Sie die Führungsnut des Werkzeugs auf den Vorsprung am Fräskorb ausrichten.

► **Abb.20:** 1. Spannhebel

2. Schließen Sie den Spannhebel.

3. Bringen Sie den Absaugstutzen am Fräskorb an, und ziehen Sie dann die Rändelschraube an.

► **Abb.21:** 1. Absaugstutzen 2. Rändelschraube

► **Abb.22**

Zum Abnehmen des Fräskorbs wenden Sie das Montageverfahren umgekehrt an.

⚠ VORSICHT: Wenn Sie das Werkzeug mit dem Fräskorb benutzen, bringen Sie unbedingt den Absaugstutzen am Fräskorb an.

Montieren und Demontieren des Winkelfräskorbs

Sonderzubehör

1. Öffnen Sie den Spannhebel des Winkelfräskorbs, und führen Sie dann das Werkzeug in den Winkelfräskorb ein, wobei Sie die Führungsnut des Werkzeugs auf den Vorsprung am Winkelfräskorb ausrichten.

► **Abb.23:** 1. Spannhebel

2. Schließen Sie den Spannhebel.

Zum Abnehmen des Fräskorbs wenden Sie das Montageverfahren umgekehrt an.

Montieren und Demontieren des Offset-Fräskorbs

Sonderzubehör

1. Drücken Sie die Spindelarretierung, und lösen Sie dann die Spannzangenmutter.

► **Abb.24:** 1. Spannzangenmutter
2. Spindelarretierung
3. Schraubenschlüssel

2. Entfernen Sie die Spannzangenmutter und den Spannzangenkonus.

► **Abb.25:** 1. Spannzangenmutter
2. Spannzangenkonus

3. Montieren Sie die Riemenscheibe am Werkzeug, indem Sie die Spindelarretierung drücken und die Riemenscheibe mit dem Schraubenschlüssel anziehen.

► **Abb.26:** 1. Schraubenschlüssel 2. Riemenscheibe
3. Spindelarretierung

4. Lösen Sie die Schrauben an der Grundplatte, und nehmen Sie dann die Grundplatte ab.

► **Abb.27:** 1. Grundplatte

5. Öffnen Sie den Spannhebel des Offset-Fräskorbs, und führen Sie dann das Werkzeug in den Offset-Fräskorb ein.

► **Abb.28:** 1. Spannhebel

6. Montieren Sie den Riemen an der Riemenscheibe, indem Sie den Riemen von Hand drehen.

► **Abb.29:** 1. Riemenscheibe 2. Riemen

7. Schließen Sie den Spannhebel.

► **Abb.30:** 1. Spannhebel

8. Befestigen Sie die Grundplatte durch Anziehen der Schrauben.

► **Abb.31:** 1. Grundplatte

9. Führen Sie den Spannzangenkonus und den Fräseinsatz in den Offset-Fräskorb ein, und ziehen Sie dann die Spannzangenmutter an.

► **Abb.32:** 1. Fräseinsatz 2. Spannzangenmutter
3. Spannzangenkonus

10. Führen Sie den Inbusschlüssel in die Öffnung des Offset-Fräskorbs ein, und ziehen Sie dann die Spannzangenmutter mit dem Schraubenschlüssel an.

► **Abb.33:** 1. Spannzangenmutter
2. Schraubenschlüssel 3. Inbusschlüssel

Zum Abnehmen des Fräskorbs wenden Sie das Montageverfahren umgekehrt an.

HINWEIS: Sie können den Riemen auch an der Riemenscheibe montieren, ohne die Grundplatte zu entfernen, wie in der Abbildung gezeigt.

► **Abb.34:** 1. Riemenscheibe 2. Riemen

Montieren und Demontieren des Eintauch-Fräskorbs

Sonderzubehör

1. Öffnen Sie den Spannhebel des Eintauch-Fräskorbs, und führen Sie dann das Werkzeug bis zum Anschlag in den Eintauch-Fräskorb ein, wobei Sie die Führungsnut des Werkzeugs auf den Vorsprung am Eintauch-Fräskorb ausrichten.

► **Abb.35:** 1. Spannhebel

2. Schließen Sie den Spannhebel.

Zum Abnehmen des Fräskorbs wenden Sie das Montageverfahren umgekehrt an.

Montieren und Demontieren der Parallelführung am Eintauch-Fräskorb

Sonderzubehör

Führen Sie die Führungsstangen in die Löcher des Eintauch-Fräskorbs ein, und ziehen Sie dann die Flügelschrauben an. Zum Abnehmen des Lineals wenden Sie das Montageverfahren umgekehrt an.

► **Abb.36:** 1. Flügelschraube 2. Führungsstange

Montieren und Demontieren des Absaugstutzens am Eintauch-Fräskorb

Führen Sie den Absaugstutzen so in den Eintauch-Fräskorb ein, dass der Vorsprung am Absaugstutzen in der Kerbe des Eintauch-Fräskorbs sitzt, und ziehen Sie dann die Rändelschraube am Absaugstutzen an. Zum Abnehmen des Absaugstutzens wenden Sie das Montageverfahren umgekehrt an.

► **Abb.37:** 1. Vorsprung 2. Absaugstutzen
3. Rändelschraube

► **Abb.38**

BETRIEB

Verwendung des Werkzeugs mit dem Fräskorb

Setzen Sie die Grundplatte auf das Werkstück auf, ohne dass der Fräseinsatz mit dem Werkstück in Berührung kommt. Schalten Sie das Werkzeug ein, und warten Sie, bis der Fräseinsatz die volle Drehzahl erreicht hat. Schieben Sie das Werkzeug über die Werkstückoberfläche vorwärts. Halten Sie die Grundplatte bündig, während Sie das Werkzeug vorschieben.

Halten Sie die Werkstückoberfläche zum Schneiden der Kante auf der linken Seite des Fräseinsatzes in der Vorschubrichtung.

► **Abb.39**

HINWEIS: Bevor Sie das eigentliche Werkstück schneiden, wird empfohlen, einen Probeschnitt zu machen. Die korrekte Vorschubgeschwindigkeit hängt von der Größe des Fräseinsatzes, der Art des Werkstücks und der Frästiefe ab. Zu schnelles Verschieben des Werkzeugs kann schlechte Schnittqualität oder Beschädigung des Fräses oder Motors zur Folge haben. Zu langsames Verschieben des Werkzeugs kann Verbrennung oder Beschädigung der Schnittfläche zur Folge haben.

Wenn Sie den Führungsschuh, die Geradföhrung oder die Fräsenföhrung verwenden, halten Sie die Vorrichtung auf der rechten Seite in Vorschubrichtung. Dies tragt dazu bei, sie bündig mit der Seite des Werkstücks zu halten.

► **Abb.40:** 1. Fräseinsatz 2. Werkstück
3. Geradföhrung

ANMERKUNG: Da übermäßiges Fräsen eine Überlastung des Motors oder schwierige Kontrolle des Werkzeugs verursachen kann, sollte die Frästiefe beim Nutenfräsen nicht mehr als 3 mm pro Durchgang betragen. Wenn Sie Nuten von mehr als 3 mm Tiefe fräsen wollen, föhren Sie mehrere Durchgänge mit zunehmend tieferen Fräseinstellungen aus.

Verwendung der Geradföhrung

Sonderzubehöhr

1. Bauen Sie die Geradföhrung mit der Schraube und der Flügelmutter zusammen.

► **Abb.41:** 1. Schraube 2. Flügelmutter

2. Befestigen Sie die Geradföhrung mit der Klemmschraube am Fräskorb.

► **Abb.42:** 1. Klemmschraube

3. Lösen Sie die Flügelmutter an der Geradföhrung, und stellen Sie den Abstand zwischen Fräseinsatz und Geradföhrung ein. Ziehen Sie die Flügelmutter im gewünschten Abstand an.

► **Abb.43:** 1. Flügelmutter

4. Schieben Sie das Werkzeug so vor, dass die Geradföhrung an der Seite des Werkstücks anliegt.

► **Abb.44**

Falls der Abstand (A) zwischen der Seite des Werkstücks und der Fräseposition zu breit für die Geradföhrung ist, oder die Seite des Werkstücks nicht gerade ist, kann die Geradföhrung nicht benutzt werden.

Klemmen Sie in diesem Fall ein gerades Brett am Werkstück fest, und benutzen Sie dieses als Führung gegen die Grundplatte der Einhandfräse. Schieben Sie das Werkzeug in Pfeilrichtung vor.

► **Abb.45**

Verwendung der Geradföhrung für Kreisschnitte

Bauen Sie die Geradföhrung für Kreisschnitte so zusammen, wie in den Abbildungen gezeigt. Die minimalen und maximalen Radien der zu schneidenden Kreise (Abstand zwischen Kreismitte und Fräseinsatzmitte) sind wie folgt:

- Minimum: 70 mm
- Maximum: 221 mm

Zum Schneiden von Kreisen mit einem Radius zwischen 70 mm und 121 mm

► **Abb.46:** 1. Mittelloch

Zum Schneiden von Kreisen mit einem Radius zwischen 121 mm und 221 mm

► **Abb.47:** 1. Mittelloch

HINWEIS: Kreise mit einem Radius zwischen 172 mm und 186 mm können nicht mit dieser Führung geschnitten werden.

Richten Sie das Mittelloch in der Geradföhrung auf die Mitte des zu schneidenden Kreises aus. Schlagen Sie einen Nagel von weniger als 6 mm Durchmesser in das Mittelloch, um die Geradföhrung zu sichern. Drehen Sie das Werkzeug im Uhrzeigersinn um den Nagel.

► **Abb.48:** 1. Nagel 2. Mittelloch

Verwendung der Schablonenföhrung

Sonderzubehöhr

Die Schablonenföhrung ermöglicht wiederholtes Fräsen mit Schablonenmustern durch Verwendung einer Schablone.

1. Lösen Sie die Schrauben an der Grundplatte, und nehmen Sie dann die Grundplatte vom Fräskorb ab.

2. Setzen Sie die Schablonenföhrung auf den Fräskorb, und befestigen Sie dann die Grundplatte durch Anziehen der Schrauben.

► **Abb.49:** 1. Grundplatte 2. Schablonenföhrung

3. Setzen Sie das Werkzeug auf die Schablone, und bewegen Sie das Werkzeug so, dass die Schablonenföhrung entlang der Seitenkante der Schablone gleitet.

► **Abb.50**

HINWEIS: Die tatsächliche Schnittgröße auf dem Werkstück weicht geringfügig von der Schablone ab. Die Differenz ist der Abstand (X) zwischen dem Fräseinsatz und der Außenseite der Schablonenführung. Der Abstand (X) kann mit der folgenden Gleichung berechnet werden:

Abstand (X) = (Außendurchmesser der Schablonenführung - Fräseinsatzdurchmesser) / 2

- **Abb.51:** 1. Fräseinsatz 2. Schablonenführung
3. Abstand (X) 4. Außendurchmesser der Schablonenführung

Verwendung der Fräsenführung

Sonderzubehör

Die Fräsenführung ermöglicht Trimmen von gekrümmten Seiten, wie bei Furnieren für Möbel, durch Bewegen der Führungsrolle entlang der Seite des Werkstücks.

► **Abb.52**

1. Lösen Sie die Klemmschraube, montieren Sie die Fräsenführung am Fräskorb, und ziehen Sie dann die Klemmschraube an.

- **Abb.53:** 1. Klemmschraube

2. Lösen Sie die Klemmschraube, und stellen Sie den Abstand zwischen dem Fräseinsatz und der Fräsenführung durch Drehen der Einstellschraube ein (1 mm pro Umdrehung). Ziehen Sie die Klemmschraube am gewünschten Abstand fest, um die Fräsenführung zu sichern.

- **Abb.54:** 1. Einstellschraube 2. Klemmschraube

3. Schieben Sie das Werkzeug so vor, dass die Führungsrolle an der Seite des Werkstücks anliegt.

- **Abb.55:** 1. Werkstück 2. Einsatz 3. Führungsrolle

Verwendung des Werkzeugs mit dem Winkelfräskorb

Der Winkelfräskorb ist praktisch zum Anfasen. Lösen Sie die Flügelschrauben, neigen Sie dann das Werkzeug auf den gewünschten Winkel, und ziehen Sie dann die Flügelschrauben an.

Klemmen Sie ein gerades Brett am Werkstück fest, und benutzen Sie dieses als Führung gegen den Winkelfräskorb. Schieben Sie das Werkzeug in Pfeilrichtung vor.

- **Abb.56:** 1. Flügelschraube

Verwendung der Winkelgrundplatte mit dem Fräskorb

Um den Fräskorb mit einer quadratischen Grundplatte zu benutzen, entfernen Sie die Grundplatte vom Winkelfräskorb, und befestigen Sie sie dann am Fräskorb.

- **Abb.57:** 1. Winkelgrundplatte 2. Fräsergrundplatte

Verwendung des Werkzeugs mit dem Offset-Fräskorb

Der Offset-Fräskorb eignet sich für Arbeiten in engen Bereichen, wie z. B. Ecken.

- **Abb.58**

Verwendung des Fräskorbs mit der Offset-Grundplatte und dem Griff

Für größere Stabilität kann die Offset-Grundplatte auch mit einem Fräskorb und einem Griffaufsatz (Sonderzubehör) verwendet werden.

1. Lösen Sie die Schrauben an der Grundplatte, und nehmen Sie dann die Grundplatte vom Offset-Fräskorb ab.

- **Abb.59:** 1. Offset-Grundplatte 2. Fräsergrundplatte

2. Befestigen Sie die Offset-Grundplatte durch Anziehen der Schrauben am Fräskorb.

3. Befestigen Sie den Griffaufsatz und den Stangengriff durch Anziehen der Schrauben an der Offset-Grundplatte.

- **Abb.60:** 1. Stangengriff 2. Griffaufsatz

Anstelle des Stangengriffs kann der vom Eintauch-Fräskorb entfernte Knaufgriff am Offset-Fräskorb montiert werden.

- **Abb.61:** 1. Schraube 2. Knaufgriff

Verwendung des Werkzeugs mit dem Eintauch-Fräskorb

Halten Sie die Griffe während der Arbeit immer mit beiden Händen fest. Betätigen Sie das Werkzeug auf die gleiche Weise wie mit dem Fräskorb.

Verwendung der Geradführung

Sonderzubehör

1. Montieren Sie die Geradführung durch Anziehen der Flügelmutter am Führungshalter. Führen Sie den Führungshalter in die Löcher des Eintauch-Fräskorbs ein, und ziehen Sie dann die Flügelschrauben an.

- **Abb.62:** 1. Flügelschraube 2. Führungshalter
3. Flügelmutter 4. Geradführung

2. Lösen Sie die Flügelmutter an der Geradführung, und stellen Sie den Abstand zwischen Fräseinsatz und Geradführung ein. Ziehen Sie die Flügelmutter im gewünschten Abstand an.

- **Abb.63:** 1. Flügelmutter

3. Betätigen Sie das Werkzeug auf die gleiche Weise wie mit der Geradführung für den Fräskorb.

- **Abb.64**

Verwendung der Schablonenführung

Sonderzubehör

1. Lösen und entfernen Sie die Schrauben an der Grundplatte. Setzen Sie die Schablonenführung auf die Grundplatte, und ziehen Sie dann die Schrauben an.

- **Abb.65:** 1. Schraube 2. Schablonenführung

2. Betätigen Sie das Werkzeug auf die gleiche Weise wie mit der Schablonenführung für den Fräskorb.

- **Abb.66**

Verwendung der Parallelführung

Die Parallelführung ist effektiv, um gerade Schnitte beim Anfasen oder Rillenfräsen auszuführen. Stellen Sie den Abstand zwischen Einsatz und Parallelführung ein. Ziehen Sie die Flügelschrauben am gewünschten Abstand fest, um die Parallelführung zu sichern. Schieben Sie das Werkzeug beim Fräsen so vor, dass die Parallelführung an der Seite des Werkstücks anliegt.

► **Abb.67**

Falls der Abstand (A) zwischen der Seite des Werkstücks und der Fräseposition zu breit für die Parallelführung ist, oder die Seite des Werkstücks nicht gerade ist, kann die Parallelführung nicht benutzt werden.

Klemmen Sie in diesem Fall ein gerades Brett am Werkstück fest, und benutzen Sie dieses als Führung gegen den Eintauch-Fräskorb. Schieben Sie das Werkzeug in Pfeilrichtung vor.

► **Abb.68**

Austauschen des Knaufgriffs gegen den Stangengriff

Um den Stangengriff am Eintauch-Fräskorb zu montieren, lösen Sie die Schraube des Knaufgriffs, nehmen Sie dann den Knaufgriff ab, und montieren Sie den Stangengriff durch Festziehen der Schraube.

► **Abb.69:** 1. Knaufgriff 2. Schraube 3. Stangengriff

WARTUNG

⚠ VORSICHT: Vergewissern Sie sich vor der Durchführung von Inspektions- oder Wartungsarbeiten stets, dass das Werkzeug ausgeschaltet und der Akku abgenommen ist.

ANMERKUNG: Verwenden Sie auf keinen Fall Benzin, Waschbenzin, Verdünner, Alkohol oder dergleichen. Solche Mittel können Verfärbung, Verformung oder Rissbildung verursachen.

Um die SICHERHEIT und ZUVERLÄSSIGKEIT dieses Produkts zu gewährleisten, sollten Reparaturen und andere Wartungs- oder Einstellarbeiten nur von Makita-Vertragswerkstätten oder Makita-Kundendienstzentren unter ausschließlicher Verwendung von Makita-Originalersatzteilen ausgeführt werden.

SONDERZUBEHÖR

⚠ VORSICHT: Die folgenden Zubehörteile oder Vorrichtungen werden für den Einsatz mit dem in dieser Anleitung beschriebenen Makita-Werkzeug empfohlen. Die Verwendung anderer Zubehörteile oder Vorrichtungen kann eine Verletzungsgefahr darstellen. Verwenden Sie Zubehörteile oder Vorrichtungen nur für ihren vorgesehenen Zweck.

Wenn Sie weitere Einzelheiten bezüglich dieser Zubehörteile benötigen, wenden Sie sich bitte an Ihre Makita-Kundendienststelle.

- Gerad- und Nutenfräser
- Kantenfräser
- Laminatfräser
- Geradföhrung
- Fräsenföhrung
- Fräskorb
- Winkelfräskorb
- Eintauch-Fräskorb
- Offset-Fräskorb
- Griffaufsatz
- Schablonenföhrung
- Spannzangenkonus 6 mm
- Spannzangenkonus 6,35 mm (1/4")
- Spannzangenkonus 8 mm
- Spannzangenkonus 9,53 mm (3/8")
- Schraubenschlüssel 13
- Schraubenschlüssel 22
- Original-Makita-Akku und -Ladegerät

HINWEIS: Manche Teile in der Liste können als Standardzubehör im Werkzeugsatz enthalten sein. Sie können von Land zu Land unterschiedlich sein.

Fräseersätze

Geradfräser

► **Abb.70**

	D	A	L1	L2
20	6	20	50	15
20E	1/4"			
8	8	8	60	25
8	6			
8E	1/4"			
6	6	6	50	18
6E	1/4"			

Einheit: mm

„U“-Nutenfräser

► **Abb.71**

	D	A	L1	L2	R
6	6	6	50	18	3
6E	1/4"				

Einheit: mm

„V“-Nutenfräser

► Abb.72

D	A	L1	L2	θ
1/4"	20	50	15	90°

Einheit: mm

Bohrspitzen-Bündigfräser

► Abb.73

	D	A	L1	L2	L3
8	8	8	60	20	35
6	6	6		18	28
6E	1/4"				

Einheit: mm

Bohrspitzen-Doppelbündigfräser

► Abb.74

	D	A	L1	L2	L3	L4
8	8	8	80	95	20	25
6	6	6	70	40	12	14
6E	1/4"					

Einheit: mm

Eckenrundungsfräser

► Abb.75

	D	A1	A2	L1	L2	L3	R
8R	6	25	9	48	13	5	8
8RE	1/4"						
4R	6	20	8	45	10	4	4
4RE	1/4"						

Einheit: mm

Fasenfräser

► Abb.76

D	A	L1	L2	L3	θ
6	23	46	11	6	30°
6	20	50	13	5	45°
6	20	49	14	2	60°

Einheit: mm

Hohlkehlen-Abrundfräser

► Abb.77

D	A	L1	L2	R
6	20	43	8	4
6	25	48	13	8

Einheit: mm

Kugellager-Bündigfräser

► Abb.78

D	A	L1	L2
6	10	50	20
1/4"			

Einheit: mm

Kugellager-Eckenrundungsfräser

► Abb.79

D	A1	A2	L1	L2	L3	R
6	15	8	37	7	3,5	3
6	21		40	10		
1/4"						

Einheit: mm

Kugellager-Fasenfräser

► Abb.80

D	A1	A2	L1	L2	θ
6	26	8	42	12	45°
1/4"					
6	20		41	11	60°

Einheit: mm

Kugellager-Abrundfräser

► Abb.81

D	A1	A2	A3	L1	L2	L3	R
6	20	12	8	40	10	5,5	4
6	26			42	12	4,5	7

Einheit: mm

Kugellager-Hohlkehlen-Abrundfräser

► Abb.82

D	A1	A2	A3	A4	L1	L2	L3	R
6	20	18	12	8	40	10	5,5	3
6	26	22			42	12	5	5

Einheit: mm

Kugellager-Kamies-Profilfräser

► Abb.83

D	A1	A2	L1	L2	L3	R1	R2
6	20	8	40	10	4,5	2,5	4,5
6	26		42	12		3	6

Einheit: mm

DATI TECNICI

Modello:	DRT50
Capacità mandrino a pinza	6 mm, 8 mm, 1/4" o 3/8"
Velocità a vuoto	10.000 - 30.000 min ⁻¹
Lunghezza complessiva	226 mm
Tensione nominale	18 V CC
Cartuccia della batteria standard	BL1815N / BL1820 / BL1820B / BL1830 / BL1830B / BL1840 / BL1840B / BL1850 / BL1850B / BL1860B
Peso netto	1,8 - 2,1 kg

- A causa del nostro programma continuativo di ricerca e sviluppo, i dati tecnici sono soggetti a modifiche senza preavviso.
- I dati tecnici e la cartuccia della batteria potrebbero differire da nazione a nazione.
- Il peso può variare a seconda dell'accessorio o degli accessori, inclusa la cartuccia della batteria. La combinazione più leggera e quella più pesante, secondo la procedura EPTA 01/2014, sono indicate nella tabella.

Utilizzo previsto

Questo utensile è destinato alla rifilatura a raso e alla creazione di profili di legno, plastica e materiali analoghi.

Rumore

Livello tipico di rumore pesato A determinato in base allo standard EN60745:

Livello di pressione sonora (L_{pA}): 78 dB (A)

Incertezza (K): 3 dB (A)

⚠AVVERTIMENTO: Indossare protezioni per le orecchie.

Vibrazioni

Valore totale delle vibrazioni (somma vettoriale triassiale) determinato in base allo standard EN60745:

Modalità di lavoro: rotazione senza carico

Emissione di vibrazioni (a_h): 2,5 m/s² o inferiore

Incertezza (K): 1,5 m/s²

Modalità di lavoro: taglio di scanalature in MDF

Emissione di vibrazioni (a_h): 4,5 m/s²

Incertezza (K): 1,5 m/s²

NOTA: Il valore di emissione delle vibrazioni dichiarato è stato misurato in conformità al metodo standard di verifica, e può essere utilizzato per confrontare un utensile con un altro.

NOTA: Il valore di emissione delle vibrazioni dichiarato può venire utilizzato anche per una valutazione preliminare dell'esposizione.

⚠AVVERTIMENTO: L'emissione delle vibrazioni durante l'utilizzo effettivo dell'utensile elettrico può variare rispetto al valore di emissione dichiarato, a seconda dei modi in cui viene utilizzato l'utensile.

⚠AVVERTIMENTO: Accertarsi di identificare le misure di sicurezza per la protezione dell'operatore basate sulla stima dell'esposizione nelle condizioni effettive di utilizzo (tenendo presente tutte le parti del ciclo operativo, ad esempio le volte in cui l'utensile viene spento e quando gira a vuoto, oltre al tempo di attivazione).

Dichiarazione di conformità CE

Solo per i paesi europei

La dichiarazione di conformità CE è inclusa nell'Allegato A al presente manuale di istruzioni.

AVVERTENZE DI SICUREZZA

Avvertenze generali relative alla sicurezza dell'utensile elettrico

⚠AVVERTIMENTO: Leggere tutte le avvertenze di sicurezza, le istruzioni, le illustrazioni e i dati tecnici forniti con il presente utensile elettrico. La mancata osservanza di tutte le istruzioni elencate di seguito potrebbe risultare in scosse elettriche, incendi e/o gravi lesioni personali.

Conservare tutte le avvertenze e le istruzioni come riferimento futuro.

Il termine "utensile elettrico" nelle avvertenze si riferisce sia all'utensile elettrico (cablato) nel funzionamento alimentato da rete elettrica che all'utensile elettrico (a batteria) nel funzionamento alimentato a batteria.

Avvertenze di sicurezza relative al rifilatore a batteria

1. **Mantenere l'utensile elettrico per le superfici di impugnatura isolate, poiché la lama potrebbe entrare in contatto con cablaggi nascosti.** Il taglio di un filo elettrico sotto tensione potrebbe mettere sotto tensione le parti metalliche esposte dell'utensile elettrico, e dare una scossa elettrica all'operatore.
2. **Utilizzare delle morse o altri sistemi pratici per fissare e sostenere il pezzo in lavorazione su un piano stabile.** Un pezzo in lavorazione mantenuto in mano o contro il proprio corpo resta instabile, e può portare a una perdita di controllo.
3. **Indossare protezioni per l'udito durante periodi prolungati di utilizzo.**
4. **Maneggiare le frese per rifilo con estrema cautela.**
5. **Prima dell'uso, controllare con attenzione l'eventuale presenza nella fresa per rifilo di spacature o danni.** Sostituire immediatamente una fresa spaccata o danneggiata.
6. **Evitare di tagliare chiodi.** Prima dell'uso, ispezionare il pezzo in lavorazione e rimuovere tutti i chiodi.
7. **Mantenere saldamente l'utensile.**
8. **Tenere le mani lontane dalle parti rotanti.**
9. **Prima di attivare l'interruttore, accertarsi che la fresa per rifilo non sia in contatto con il pezzo in lavorazione.**
10. **Prima di utilizzare l'utensile su un pezzo in lavorazione effettivo, lasciarlo funzionare a vuoto per un po' di tempo.** Verificare l'eventuale presenza di vibrazioni od oscillazioni che potrebbero indicare una fresa installata in modo errato.
11. **Fare attenzione alla direzione di rotazione e di avanzamento della fresa per rifilo.**
12. **Non lasciare l'utensile mentre è in funzione.** Far funzionare l'utensile solo tenendo in mano.
13. **Prima di rimuovere l'utensile dal pezzo in lavorazione, è necessario sempre spegnerlo e attendere che la fresa per rifilo si sia arrestata completamente.**
14. **Non toccare la fresa per rifilo subito dopo l'uso; la sua temperatura potrebbe essere estremamente elevata e potrebbe causare ustioni.**
15. **Non macchiare per disattenzione la base dell'utensile con solvente, benzina, olio o prodotti simili.** Tali prodotti possono causare spaccature nella base dell'utensile.
16. **Utilizzare frese per rifilo con un corretto diametro del gambo che sia idoneo alla velocità dell'utensile.**
17. **Alcuni materiali contengono sostanze chimiche potenzialmente tossiche.** Fare attenzione a evitare l'inalazione delle polveri e il contatto con la pelle. Attenersi ai dati sulla sicurezza del fornitore del materiale.

18. **Utilizzare sempre la mascherina antipolvere o il respiratore corretti per il materiale e l'applicazione con cui si intende lavorare.**

CONSERVARE LE PRESENTI ISTRUZIONI.

AVVERTIMENTO: NON lasciare che comodità o la familiarità d'utilizzo con il prodotto (acquisita con l'uso ripetuto) sostituisca la stretta osservanza delle norme di sicurezza per il prodotto in questione. L'USO IMPROPRIO o la mancata osservanza delle norme di sicurezza indicate nel presente manuale di istruzioni potrebbero causare gravi lesioni personali.

Istruzioni di sicurezza importanti per la cartuccia della batteria

1. **Prima di utilizzare la cartuccia della batteria, leggere tutte le istruzioni e le avvertenze riportate (1) sul caricabatteria, (2) sulla batteria e (3) sul prodotto che utilizza la batteria.**
2. **Non smontare la cartuccia della batteria.**
3. **Qualora il tempo di utilizzo si riduca eccessivamente, interrompere immediatamente l'utilizzo dell'utensile.** In caso contrario, si può incorrere nel rischio di surriscaldamento, possibili ustioni e persino un'esplosione.
4. **Qualora l'elettrolita entri in contatto con gli occhi, sciacquarli con acqua pulita e richiedere immediatamente assistenza medica.** Questa eventualità può risultare nella perdita della vista.
5. **Non cortocircuitare la cartuccia della batteria:**
 - (1) **Non toccare i terminali con alcun materiale conduttivo.**
 - (2) **Evitare di conservare la cartuccia della batteria in un contenitore insieme ad altri oggetti metallici quali chiodi, monete, e così via.**
 - (3) **Non esporre la cartuccia della batteria all'acqua o alla pioggia.****Un cortocircuito della batteria può causare un grande flusso di corrente, un surriscaldamento, possibili ustioni e persino un guasto.**
6. **Non conservare l'utensile e la cartuccia della batteria in ubicazioni in cui la temperatura possa raggiungere o superare i 50°C.**
7. **Non incenerire la cartuccia della batteria anche qualora sia gravemente danneggiata o completamente esaurita.** La cartuccia della batteria può esplodere se a contatto con il fuoco.
8. **Fare attenzione a non far cadere e a non colpire la batteria.**
9. **Non utilizzare una batteria danneggiata.**
10. **Le batterie a ioni di litio contenute sono soggette ai requisiti del regolamento sul trasporto di merci pericolose (Dangerous Goods Legislation).** Per trasporti commerciali, ad esempio da parte di terzi o spedizionieri, è necessario osservare dei requisiti speciali sull'imballaggio e sull'etichetta. Per la preparazione dell'articolo da spedire, è richiesta la consulenza di un esperto in materiali pericolosi. Attenersi anche alle normative nazionali, che potrebbero essere più dettagliate.

Nastrare o coprire i contatti aperti e imballare la batteria in modo tale che non si possa muovere liberamente all'interno dell'imballaggio.

11. **Attenersi alle normative locali relative allo smaltimento della batteria.**

CONSERVARE LE PRESENTI ISTRUZIONI.

⚠ATTENZIONE: Utilizzare solo batterie originali Makita. L'utilizzo di batterie Makita non originali, o di batterie che siano state alterate, potrebbe risultare nello scoppio della batteria, causando incendi, lesioni personali e danni. Inoltre, ciò potrebbe invalidare la garanzia Makita per l'utensile e il caricabatterie Makita.

Suggerimenti per preservare la durata massima della batteria

1. **Caricare la cartuccia della batteria prima che si scarichi completamente. Smettere sempre di utilizzare l'utensile e caricare la cartuccia della batteria quando si nota che la potenza dell'utensile è diminuita.**
2. **Non ricaricare mai una cartuccia della batteria completamente carica. La sovraccarica riduce la vita utile della batteria.**
3. **Caricare la cartuccia della batteria a una temperatura ambiente compresa tra 10°C e 40°C. Lasciar raffreddare una cartuccia della batteria prima di caricarla.**
4. **Caricare la cartuccia della batteria se non la si è utilizzata per un periodo di tempo prolungato (più di sei mesi).**

DESCRIZIONE DELLE FUNZIONI

⚠ATTENZIONE: Accertarsi sempre che l'utensile sia spento e che la cartuccia della batteria sia stata rimossa prima di regolare o di controllare il funzionamento dell'utensile.

Installazione o rimozione della cartuccia della batteria

⚠ATTENZIONE: Spegnerne sempre l'utensile prima di installare o rimuovere la cartuccia della batteria.

⚠ATTENZIONE: Mantenere saldamente lo strumento e la batteria quando si intende installare o rimuovere la cartuccia della batteria. Qualora non si mantengano saldamente lo strumento e la cartuccia della batteria, questi ultimi potrebbero scivolare dalle mani, con la possibilità di causare un danneggiamento dello strumento e della cartuccia della batteria, nonché una lesione personale.

► **Fig.1:** 1. Indicatore rosso 2. Pulsante 3. Cartuccia della batteria

Per rimuovere la cartuccia della batteria, farla scorrere via dall'utensile mentre si fa scorrere allo stesso tempo il pulsante sulla parte anteriore della cartuccia.

Per installare la cartuccia della batteria, allineare l'appendice della batteria con la scanalatura nell'alloggiamento e farla scivolare in sede. Inserirla completamente fino al suo blocco in sede con un leggero scatto. Se è possibile vedere l'indicatore rosso sul lato superiore del pulsante, la batteria non è bloccata completamente.

⚠ATTENZIONE: Installare sempre fino in fondo la cartuccia della batteria, fino a quando l'indicatore rosso non è più visibile. In caso contrario, la batteria potrebbe cadere accidentalmente dall'utensile, causando lesioni personali all'operatore o a chi gli è vicino.

⚠ATTENZIONE: Non installare forzatamente la cartuccia della batteria. Qualora la batteria non si inserisca scorrendo agevolmente, vuol dire che non viene inserita correttamente.

Indicazione della carica residua della batteria

Solo per cartucce delle batterie dotate di indicatore

► **Fig.2:** 1. Indicatori luminosi 2. Pulsante di controllo

Premere il pulsante di controllo sulla cartuccia della batteria per indicare la carica residua della batteria. Gli indicatori luminosi si illuminano per alcuni secondi.

Indicatori luminosi			Carica residua
■ Illuminato	□ Spento	▬ Lampeggiante	
■ ■ ■ ■			Dal 75% al 100%
■ ■ ■ □			Dal 50% al 75%
■ ■ □ □			Dal 25% al 50%
■ □ □ □			Dallo 0% al 25%
▬ □ □ □			Caricare la batteria.
■ ■ □ □	↑ ↓		La batteria potrebbe essersi guastata.

NOTA: A seconda delle condizioni d'uso e della temperatura ambiente, l'indicazione potrebbe variare leggermente rispetto alla carica effettiva.

Sistema di protezione strumento/ batteria

L'utensile è dotato di un sistema di protezione dell'utensile stesso e della batteria. Tale sistema interrompe automaticamente l'alimentazione al motore per prolungare la vita utile dell'utensile e della batteria. L'utensile si arresta automaticamente durante il funzionamento, qualora l'utensile o la batteria vengano a trovarsi in una delle condizioni seguenti:

Protezione dal sovraccarico

Quando la batteria viene utilizzata in modo tale da causare un assorbimento di corrente elevato in modo anormale, l'utensile si arresta automaticamente senza alcuna indicazione. In questa situazione, spegnere l'utensile e interrompere l'applicazione che ha fatto sovraccaricare l'utensile. Quindi, accendere l'utensile per ricominciare.

Protezione dal surriscaldamento

Quando l'utensile o la batteria sono surriscaldati, l'utensile si arresta automaticamente e la lampada lampeggia. In tal caso, lasciar raffreddare l'utensile e la batteria prima di riaccendere l'utensile.

Protezione dalla sovrascarica

Quando la carica della batteria non è sufficiente, l'utensile si arresta automaticamente. In tal caso, rimuovere la batteria dall'utensile e caricarla.

Funzionamento dell'interruttore

Per accendere l'utensile, premere il pulsante di blocco/sblocco. L'utensile si accende in modalità standby. Per avviare l'utensile, premere il pulsante di avvio/arresto in modalità standby. Per arrestare l'utensile, premere di nuovo il pulsante di avvio/arresto. L'utensile si accende in modalità standby. Per spegnere l'utensile, premere il pulsante di blocco/sblocco in modalità standby.

► **Fig.3:** 1. Pulsante di blocco/sblocco 2. Pulsante di avvio/arresto

NOTA: Qualora l'utensile venga lasciato per 10 secondi senza effettuare alcuna operazione in modalità standby, l'utensile si spegne automaticamente e la lampadina si spegne.

NOTA: È anche possibile arrestare e spegnere l'utensile premendo il pulsante di blocco/sblocco mentre l'utensile è in funzione.

Accensione della lampadina anteriore

ATTENZIONE: Non osservare né guardare direttamente la fonte di luce.

Per accendere la lampadina, premere il pulsante di blocco/sblocco. Per spegnere la lampadina, premere di nuovo il pulsante di blocco/sblocco.

AVVISO: Quando l'utensile è surriscaldato, la lampadina sfarfalla. Far raffreddare completamente l'utensile prima di riutilizzarlo.

NOTA: Per pulire la sporcizia dalla lente della lampadina, utilizzare un panno asciutto. Fare attenzione a non graffiare la lente della lampadina, altrimenti si potrebbe ridurre l'illuminazione.

Selettore di regolazione della velocità

È possibile modificare la velocità di rotazione dell'utensile ruotando il selettore di regolazione della velocità. La tabella seguente mostra il numero sul selettore e la velocità di rotazione corrispondente.

► **Fig.4:** 1. Selettore di regolazione della velocità

Numero	Velocità
1	10.000 min ⁻¹
2	15.000 min ⁻¹
3	20.000 min ⁻¹
4	25.000 min ⁻¹
5	30.000 min ⁻¹

AVVISO: Qualora l'utensile venga fatto funzionare continuativamente a bassa velocità per un periodo di tempo prolungato, il motore viene sovraccaricato, causando il malfunzionamento dell'utensile.

AVVISO: Quando si intende spostare il selettore della velocità da "5" a "4", ruotare il selettore in senso antiorario. Non ruotare forzatamente il selettore in senso orario.

Funzione elettronica

L'utensile è dotato di funzioni elettroniche, per un facile utilizzo.

- Controllo costante della velocità
La funzione di controllo della velocità fornisce una velocità di rotazione costante, indipendentemente dalle condizioni di carico.
- Avvio morbido
La funzione di avvio morbido riduce al minimo l'impatto all'avvio, e fa avviare l'utensile in modo fluido.

Regolazione della profondità di taglio

Per regolare la profondità di taglio, aprire la leva di blocco, quindi spostare la base dell'utensile verso l'alto o verso il basso ruotando la vite di regolazione. Dopo la regolazione, chiudere saldamente la leva di blocco.

► Fig.5: 1. Leva di blocco 2. Vite di regolazione

AVVISO: Qualora l'utensile non venga bloccato dopo aver chiuso la leva di blocco, serrare il dado esagonale, quindi chiudere la leva di blocco.

► Fig.6: 1. Dado esagonale

Regolazione della profondità di taglio con la base ad affondamento

Accessorio opzionale

1. Posizionare l'utensile su una superficie piana.
2. Selezionare la vite di fermo ruotando la base di fermo.
► Fig.7: 1. Vite di fermo 2. Base di fermo
3. Allentare il dado di fissaggio dell'asta di fermo, quindi tirare verso l'alto l'asta di fermo mentre si tiene premuto il pulsante di avanzamento.
► Fig.8: 1. Asta di fermo 2. Dado di fissaggio 3. Pulsante di avanzamento
4. Abbassare l'utensile fino al momento in cui la fresa per rifilo tocca la superficie piana, quindi ruotare la leva di fissaggio per fissare l'utensile.
► Fig.9: 1. Leva di fissaggio 2. Fresa per rifilo
5. Premere verso il basso l'asta di fermo tenendo premuto il pulsante di avanzamento, fino a quando l'asta entra in contatto con la vite di fermo.
► Fig.10: 1. Asta di fermo 2. Vite di fermo 3. Pulsante di avanzamento
6. Far scivolare l'indice di profondità in modo che indichi "0" sulla scala.
► Fig.11: 1. Indice di profondità
7. Regolare la profondità di taglio tirando verso l'alto l'asta di fermo mentre si tiene premuto il pulsante di avanzamento.
► Fig.12: 1. Asta di fermo 2. Pulsante di avanzamento
8. Per effettuare una regolazione precisa della profondità di taglio, ruotare la manopola sull'asta di fermo in modo che indichi "0".
► Fig.13: 1. Manopola

9. Ruotare la testa dell'asta di fermo per ottenere la profondità desiderata. Per incrementare la profondità, ruotare la testa in senso antiorario. Per ridurre la profondità, ruotare la testa in senso orario.

► Fig.14: 1. Testa dell'asta di fermo

10. Serrare il dado di fissaggio dell'asta di fermo.

► Fig.15: 1. Dado di fissaggio

11. Rilasciare la leva di fissaggio.

► Fig.16: 1. Leva di fissaggio

MONTAGGIO

ATTENZIONE: Accertarsi sempre che l'utensile sia spento e che la cartuccia della batteria sia stata rimossa, prima di effettuare qualsiasi intervento sull'utensile.

Installazione o rimozione della fresa per rifilo

AVVISO: Non serrare il dado portapinza senza aver inserito la fresa. In caso contrario, la pinza potrebbe rompersi.

Inserire la fresa per rifilo fino in fondo nella pinza. Premere il blocco albero e serrare il dado portapinza con la chiave, oppure serrare saldamente il dado portapinza con le due chiavi. Per rimuovere la fresa, seguire la procedura di installazione al contrario.

► Fig.17: 1. Blocco albero 2. Per allentare 3. Per serrare 4. Chiave 5. Dado portapinza

► Fig.18: 1. Chiave 2. Per allentare 3. Per serrare 4. Dado portapinza

NOTA: Il blocco albero potrebbe non tornare nella posizione originale quando si serra il dado portapinza al momento dell'installazione della fresa per rifilo. Il blocco albero torna nella posizione originale quando si avvia l'utensile.

► Fig.19: 1. Blocco albero

Installazione o rimozione della base del rifilatore

1. Aprire la leva di blocco della base del rifilatore, quindi inserire l'utensile nella base del rifilatore allineando la scanalatura sull'utensile con la sporgenza sulla base del rifilatore.
► Fig.20: 1. Leva di blocco
 2. Chiudere la leva di blocco.
 3. Montare la bocchetta polveri sulla base del rifilatore, quindi serrare la vite a testa zigrinata.
► Fig.21: 1. Bocchetta polveri 2. Vite a testa zigrinata
- Fig.22

Per rimuovere la base, seguire la procedura di installazione al contrario.

ATTENZIONE: Quando si intende utilizzare l'utensile con la base del rifilatore, accertarsi di installare la bocchetta polveri sulla base del rifilatore.

Installazione o rimozione della base inclinata

Accessorio opzionale

1. Aprire la leva di blocco della base inclinata, quindi inserire l'utensile nella base inclinata allineando la scanalatura sull'utensile con la sporgenza sulla base inclinata.

► **Fig.23:** 1. Leva di blocco

2. Chiudere la leva di blocco.

Per rimuovere la base, seguire la procedura di installazione al contrario.

Installazione o rimozione della base decentrata

Accessorio opzionale

1. Premere il blocco albero, quindi allentare il dado portapinza.

► **Fig.24:** 1. Dado portapinza 2. Blocco albero
3. Chiave

2. Rimuovere il dado portapinza e la pinza.

► **Fig.25:** 1. Dado portapinza 2. Pinza

3. Installare la puleggia sull'utensile premendo il blocco albero e serrando la puleggia con la chiave.

► **Fig.26:** 1. Chiave 2. Puleggia 3. Blocco albero

4. Allentare le viti sulla piastra di base, quindi rimuovere la piastra di base.

► **Fig.27:** 1. Piastra di base

5. Aprire la leva di blocco della base decentrata, quindi inserire l'utensile nella base decentrata.

► **Fig.28:** 1. Leva di blocco

6. Montare la cinghia sulla puleggia ruotando la cinghia manualmente.

► **Fig.29:** 1. Puleggia 2. Cinghia

7. Chiudere la leva di blocco.

► **Fig.30:** 1. Leva di blocco

8. Montare la piastra di base serrando le viti.

► **Fig.31:** 1. Piastra di base

9. Inserire la pinza e la fresa per rifilo nella base decentrata, quindi serrare il dado portapinza.

► **Fig.32:** 1. Fresa per rifilo 2. Dado portapinza
3. Pinza

10. Inserire la brugola nel foro della base decentrata, quindi serrare il dado portapinza con la chiave.

► **Fig.33:** 1. Dado portapinza 2. Chiave 3. Brugola

Per rimuovere la base, seguire la procedura di installazione al contrario.

NOTA: È anche possibile montare la cinghia sulla puleggia senza rimuovere la piastra di base, come indicato nella figura.

► **Fig.34:** 1. Puleggia 2. Cinghia

Installazione o rimozione della base ad affondamento

Accessorio opzionale

1. Aprire la leva di blocco della base ad affondamento, quindi inserire l'utensile fino in fondo nella base ad affondamento, allineando la scanalatura sull'utensile con la sporgenza sulla base ad affondamento.

► **Fig.35:** 1. Leva di blocco

2. Chiudere la leva di blocco.

Per rimuovere la base, seguire la procedura di installazione al contrario.

Installazione o rimozione del righello parallelo sulla base ad affondamento

Accessorio opzionale

Inserire le barre guida nei fori presenti nella base ad affondamento, quindi serrare i bulloni ad alette. Per rimuovere il righello, seguire la procedura di installazione al contrario.

► **Fig.36:** 1. Bullone ad alette 2. Barra guida

Installazione o rimozione della bocchetta polveri sulla base ad affondamento

Inserire la bocchetta polveri nella base ad affondamento in modo che la sporgenza sulla bocchetta polveri entri nella tacca presente nella base ad affondamento, quindi serrare la vite a testa zigrinata sulla bocchetta polveri. Per rimuovere la bocchetta, seguire la procedura di installazione al contrario.

► **Fig.37:** 1. Sporgenza 2. Bocchetta polveri 3. Vite a testa zigrinata

► **Fig.38**

FUNZIONAMENTO

Uso dell'utensile con la base del rifilatore

Sistemare la base dell'utensile sul pezzo in lavorazione, evitando che la fresa per rifilo entri in contatto con il pezzo. Accendere l'utensile e attendere che la fresa raggiunga la piena velocità. Spostare l'utensile in avanti sopra la superficie del pezzo in lavorazione. Mantenere la base dell'utensile a filo mentre si sposta l'utensile.

Quando si intende tagliare il bordo, accertarsi di mantenere la superficie del pezzo in lavorazione sul lato sinistro della fresa per rifilo nella direzione di avanzamento.

► **Fig.39**

NOTA: Prima di tagliare il pezzo in lavorazione effettivo, è consigliabile effettuare un taglio di prova. La velocità di avanzamento corretta dipende dalle dimensioni della fresa per rifilo, dal tipo di pezzo in lavorazione e dalla profondità di taglio. Qualora si faccia avanzare l'utensile troppo velocemente, si potrebbe causare una qualità scadente del taglio, oppure danneggiare la fresa o il motore. Qualora si faccia avanzare l'utensile troppo lentamente, si potrebbe bruciare e rovinare la superficie di taglio.

Quando si intende utilizzare la scarpa per rifilatore, la guida di allineamento o la guida di rifilatura, accertarsi di tenerla sul lato destro nella direzione di avanzamento. Questo aiuta a mantenerla a filo con il lato del pezzo in lavorazione.

- **Fig.40:** 1. Fresa per rifilo 2. Pezzo in lavorazione
3. Guida di allineamento

AVVISO: Poiché un taglio eccessivo potrebbe causare il sovraccarico del motore o difficoltà nel controllare l'utensile, la profondità di taglio non deve essere superiore a 3 mm per passaggio, quando si intende tagliare scanalature. Quando si desidera tagliare scanalature di profondità superiore a 3 mm, effettuare svariati passaggi con impostazioni progressivamente più profonde della fresa.

Uso della guida di allineamento

Accessorio opzionale

1. Montare la guida di allineamento con il bullone e il dado ad alette.

- **Fig.41:** 1. Bullone 2. Dado ad alette

2. Montare la guida di allineamento sulla base del rifilatore con la vite di fissaggio.

- **Fig.42:** 1. Vite di fissaggio

3. Allentare il dado ad alette sulla guida di allineamento e regolare la distanza tra la fresa e la guida di allineamento. Alla distanza desiderata, serrare il dado ad alette.

- **Fig.43:** 1. Dado ad alette

4. Spostare l'utensile con la guida di allineamento a filo con il lato del pezzo in lavorazione.

- **Fig.44**

Qualora la distanza (A) tra il fianco del pezzo in lavorazione e la posizione di taglio sia troppo ampia per la guida di allineamento, o qualora il fianco del pezzo in lavorazione non sia diritto, non è possibile utilizzare la guida di allineamento.

In questo caso, fissare con una morsa una tavola diritta sul pezzo in lavorazione e utilizzarla come guida contro la base del rifilatore. Fare avanzare l'utensile nella direzione indicata dalla freccia.

- **Fig.45**

Uso della guida di allineamento per lavori circolari

Per lavori circolari, montare la guida di allineamento come indicato nelle figure. I raggi minimo e massimo dei cerchi da tagliare (la distanza tra il centro del cerchio e il centro della fresa) sono i seguenti:

- Minimo: 70 mm
- Massimo: 221 mm

Per tagliare cerchi con raggio compreso tra 70 mm e 121 mm

- **Fig.46:** 1. Foro centrale

Per tagliare cerchi con raggio compreso tra 121 mm e 221 mm

- **Fig.47:** 1. Foro centrale

NOTA: Non è possibile tagliare cerchi con raggio compreso tra 172 mm e 186 mm utilizzando questa guida.

Allineare il foro centrale nella guida di allineamento con il centro del cerchio da tagliare. Piantare un chiodo di diametro inferiore a 6 mm nel foro centrale per fissare la guida di allineamento. Far ruotare l'utensile intorno al chiodo in senso orario.

- **Fig.48:** 1. Chiodo 2. Foro centrale

Uso della guida per sagome

Accessorio opzionale

La guida per sagome consente il taglio ripetitivo di motivi su sagome utilizzando una sagoma.

1. Allentare le viti sulla piastra di base, quindi rimuovere la piastra di base dalla base del rifilatore.

2. Posizionare la guida per sagome sulla base, quindi montare la piastra di base serrando le viti.

- **Fig.49:** 1. Piastra di base 2. Guida per sagome

3. Posizionare l'utensile sulla sagoma e sposterlo insieme alla guida per sagome, scivolando lungo il fianco della sagoma.

- **Fig.50**

NOTA: La dimensione del taglio effettivo sul pezzo in lavorazione è leggermente diversa dalla sagoma. La differenza è la distanza (X) tra la fresa per rifilo e la parte esterna della guida per sagome. La distanza (X) può venire calcolata utilizzando l'equazione seguente:

Distanza (X) = (diametro esterno della guida per sagome - diametro della fresa per rifilo) / 2

- **Fig.51:** 1. Fresa per rifilo 2. Guida per sagome
3. Distanza (X) 4. Diametro esterno della guida per sagome

Uso della guida di rifilatura

Accessorio opzionale

La guida di rifilatura consente di rifilare il lato curvo, ad esempio nelle impiallaccature per mobili, spostando il rullo della guida lungo il lato del pezzo in lavorazione.

- **Fig.52**

1. Allentare le viti di fissaggio, poi installare la guida di rifilatura sulla base di rifilatura, quindi serrare le viti di fissaggio.

- **Fig.53:** 1. Vite di fissaggio

2. Allentare le viti di fissaggio e regolare la distanza tra la fresa per rifilo e la guida di rifilatura ruotando la vite di regolazione (1 mm per giro). Alla distanza desiderata, serrare le viti di fissaggio per fissare la guida di rifilatura.

- **Fig.54:** 1. Vite di regolazione 2. Vite di fissaggio

3. Spostare l'utensile con il rullo della guida che percorre il fianco del pezzo in lavorazione.

- **Fig.55:** 1. Pezzo in lavorazione 2. Fresa 3. Rullo della guida

Uso dell'utensile con la base inclinata

La base inclinata è comoda per la smussatura. Allentare le viti ad alette, poi inclinare l'utensile all'angolazione desiderata, quindi serrare le viti ad alette.

Fissare saldamente con una morsa una tavola diritta sul pezzo in lavorazione e utilizzarla come guida contro la base inclinata. Fare avanzare l'utensile nella direzione indicata dalla freccia.

► **Fig.56:** 1. Vite ad alette

Uso della piastra della base inclinata con la base del rifilatore

Per utilizzare la base del rifilatore con una piastra di base quadrata, rimuovere la piastra di base dalla base inclinata, quindi montarla sulla base del rifilatore.

► **Fig.57:** 1. Piastra della base inclinata 2. Piastra di base del rifilatore

Uso dell'utensile con la base decentrata

La base decentrata è comoda per lavorare in aree strette, ad esempio negli angoli.

► **Fig.58**

Uso della base del rifilatore con la piastra della base decentrata e l'impugnatura

È anche possibile utilizzare la piastra della base decentrata con una base del rifilatore e un accessorio impugnatura (accessorio opzionale), per una maggiore stabilità.

1. Allentare le viti sulla piastra di base, quindi rimuovere la piastra di base dalla base decentrata.

► **Fig.59:** 1. Piastra di base decentrata 2. Piastra di base del rifilatore

2. Montare la piastra di base decentrata sulla base del rifilatore serrando le viti.

3. Montare l'accessorio impugnatura e l'impugnatura a barra sulla piastra di base decentrata serrando le viti.

► **Fig.60:** 1. Impugnatura a barra 2. Accessorio impugnatura

L'impugnatura a manopola rimossa dalla base ad affondamento può venire installata sulla base decentrata al posto dell'impugnatura a barra.

► **Fig.61:** 1. Vite 2. Impugnatura a manopola

Uso dell'utensile con la base ad affondamento

Mantenere sempre saldamente le impugnature con entrambe le mani durante l'uso. Far funzionare l'utensile in modo analogo alla base del rifilatore.

Uso della guida di allineamento

Accessorio opzionale

1. Installare la guida di allineamento sul supporto della guida serrando il dado ad alette. Inserire il supporto della guida nei fori presenti nella base ad affondamento, quindi serrare i bulloni ad alette.

► **Fig.62:** 1. Bullone ad alette 2. Supporto della guida 3. Dado ad alette 4. Guida di allineamento

2. Allentare il dado ad alette sulla guida di allineamento e regolare la distanza tra la fresa e la guida di allineamento. Alla distanza desiderata, serrare il dado ad alette.

► **Fig.63:** 1. Dado ad alette

3. Far funzionare l'utensile in modo analogo alla guida di allineamento per la base del rifilatore.

► **Fig.64**

Uso della guida per sagome

Accessorio opzionale

1. Allentare le viti sulla base, quindi rimuoverle. Posizionare la guida per sagome sulla base, quindi serrare le viti.

► **Fig.65:** 1. Vite 2. Guida per sagome

2. Far funzionare l'utensile in modo analogo alla guida per sagome per la base del rifilatore.

► **Fig.66**

Uso del righello parallelo

Il righello parallelo può essere utilizzato in modo efficace per ottenere tagli diritti durante la smussatura o la scanalatura. Regolare la distanza tra la fresa e il righello parallelo. Alla distanza desiderata, serrare i bulloni ad alette per fissare il righello parallelo. Durante il taglio, spostare l'utensile con il righello parallelo a filo con il lato del pezzo in lavorazione.

► **Fig.67**

Qualora la distanza (A) tra il fianco del pezzo in lavorazione e la posizione di taglio sia troppo ampia per il righello parallelo, o qualora il fianco del pezzo in lavorazione non sia diritto, non è possibile utilizzare il righello parallelo.

In questo caso, fissare saldamente con una morsa una tavola diritta sul pezzo in lavorazione e utilizzarla come guida contro la base ad affondamento. Fare avanzare l'utensile nella direzione indicata dalla freccia.

► **Fig.68**

Sostituzione dell'impugnatura a manopola con l'impugnatura a barra

Per installare l'impugnatura a barra sulla base ad affondamento, allentare la vite dell'impugnatura a manopola, poi rimuovere l'impugnatura a manopola e quindi installare l'impugnatura a barra serrandola.

► **Fig.69:** 1. Impugnatura a manopola 2. Vite 3. Impugnatura a barra

MANUTENZIONE

ATTENZIONE: Accertarsi sempre che l'utensile sia spento e che la cartuccia della batteria sia stata rimossa prima di tentare di eseguire interventi di ispezione o manutenzione.

AVVISO: Non utilizzare mai benzina, benzene, solventi, alcol o altre sostanze simili. In caso contrario, si potrebbero causare scolorimenti, deformazioni o crepe.

Per preservare la SICUREZZA e l'AFFIDABILITÀ del prodotto, le riparazioni e qualsiasi altro intervento di manutenzione e di regolazione devono essere eseguiti da un centro di assistenza autorizzato Makita, utilizzando sempre ricambi Makita.

ACCESSORI OPZIONALI

ATTENZIONE: Questi accessori o componenti aggiuntivi sono consigliati per l'uso con l'utensile Makita specificato nel presente manuale. L'impiego di altri accessori o componenti aggiuntivi può costituire un rischio di lesioni alle persone. Utilizzare gli accessori o i componenti aggiuntivi solo per il loro scopo prefissato.

Per ottenere ulteriori dettagli relativamente a questi accessori, rivolgersi a un centro di assistenza Makita.

- Frese diritte e per formare scanalature
- Frese per formare bordi
- Frese per rifilatura di laminati
- Gruppo guida di allineamento
- Gruppo guida di rifilatura
- Gruppo base del rifilatore
- Gruppo base inclinata
- Gruppo base ad affondamento
- Gruppo base decentrata
- Accessorio impugnatura
- Guida per sagome
- Pinza 6 mm
- Pinza 6,35 mm (1/4")
- Pinza 8 mm
- Pinza 9,53 mm (3/8")
- Chiave 13
- Chiave 22
- Batteria e caricabatterie originali Makita

NOTA: Alcuni articoli nell'elenco potrebbero essere inclusi nell'imballaggio dell'utensile come accessori standard. Tali articoli potrebbero variare da nazione a nazione.

Frese per rifilo

Fresa diritta

► Fig.70

	D	A	L1	L2
20	6	20	50	15
20E	1/4"			
8	8	8	60	25
8	6		50	18
8E	1/4"			
6	6	6	50	18
6E	1/4"			

Unità: mm

Fresa per scanalatura a "U"

► Fig.71

	D	A	L1	L2	R
6	6	6	50	18	3
6E	1/4"				

Unità: mm

Fresa per scanalatura a "V"

► Fig.72

D	A	L1	L2	θ
1/4"	20	50	15	90°

Unità: mm

Fresa rifilatrice a raso con punta da trapano

► Fig.73

	D	A	L1	L2	L3
8	8	8	60	20	35
6	6	6		18	28
6E	1/4"				

Unità: mm

Fresa rifilatrice a raso doppia con punta da trapano

► Fig.74

	D	A	L1	L2	L3	L4
8	8	8	80	95	20	25
6	6	6	70	40	12	14
6E	1/4"					

Unità: mm

Fresa per arrotondare gli angoli

► Fig.75

	D	A1	A2	L1	L2	L3	R
8R	6	25	9	48	13	5	8
8RE	1/4"						
4R	6	20	8	45	10	4	4
4RE	1/4"						

Unità: mm

Fresa per smussatura

► Fig.76

D	A	L1	L2	L3	θ
6	23	46	11	6	30°
6	20	50	13	5	45°
6	20	49	14	2	60°

Unità: mm

Fresa per modanatura concava

► Fig.77

D	A	L1	L2	R
6	20	43	8	4
6	25	48	13	8

Unità: mm

Fresa rifilatrice a raso con cuscinetto a sfere

► Fig.78

D	A	L1	L2
6	10	50	20
1/4"			

Unità: mm

Fresa per arrotondare gli angoli con cuscinetto a sfere

► Fig.79

D	A1	A2	L1	L2	L3	R
6	15	8	37	7	3,5	3
6	21		40	10		6
1/4"						

Unità: mm

Fresa per smussatura con cuscinetto a sfere

► Fig.80

D	A1	A2	L1	L2	θ
6	26	8	42	12	45°
1/4"					
6	20		41	11	60°

Unità: mm

Fresa per modanatura con cuscinetto a sfere

► Fig.81

D	A1	A2	A3	L1	L2	L3	R
6	20	12	8	40	10	5,5	4
6	26			42	12	4,5	7

Unità: mm

Fresa per modanatura concava con cuscinetto a sfere

► Fig.82

D	A1	A2	A3	A4	L1	L2	L3	R
6	20	18	12	8	40	10	5,5	3
6	26	22			42	12	5	5

Unità: mm

Fresa per modanatura a S con cuscinetto a sfere

► Fig.83

D	A1	A2	L1	L2	L3	R1	R2
6	20	8	40	10	4,5	2,5	4,5
6	26		42	12		3	6

Unità: mm

TECHNISCHE GEGEVENS

Model:	DRT50
Capaciteit van spankop	6 mm, 8 mm, 1/4" of 3/8"
Nullasttoerental	10.000 - 30.000 min ⁻¹
Totale lengte	226 mm
Nominale spanning	18 V gelijkspanning
Standaardaccu	BL1815N / BL1820 / BL1820B / BL1830 / BL1830B / BL1840 / BL1840B / BL1850 / BL1850B / BL1860B
Nettogewicht	1,8 - 2,1 kg

- In verband met ononderbroken research en ontwikkeling, behouden wij ons het recht voor de bovenstaande technische gegevens zonder voorafgaande kennisgeving te wijzigen.
- De technische gegevens van de accu kunnen van land tot land verschillen.
- Het gewicht kan verschillen afhankelijk van de hulpstukken, waaronder de accu. De lichtste en zwaarste combinatie, overeenkomstig de EPTA-procedure 01/2014, worden getoond in de tabel.

Gebruiksdoeleinden

Het gereedschap is bedoeld voor het afkantrimmen en profileren van hout, kunststof en soortgelijke materialen.

Geluidsniveau

De typische, A-gewogen geluidsniveaus zijn gemeten volgens EN60745:

Geluidsdrukniveau (L_{pA}): 78 dB (A)

Onzekerheid (K): 3 dB (A)

⚠️ WAARSCHUWING: Draag gehoorbescherming.

Trilling

De totale trillingswaarde (triaxiale vectorsom) zoals vastgesteld volgens EN60745:

Gebruikstoepassing: onbelast draaien

Trillingsemmissie (a_h): 2,5 m/s² of lager

Onzekerheid (K): 1,5 m/s²

Gebruikstoepassing: Groeven frezen in MDF

Trillingsemmissie (a_h): 4,5 m/s²

Onzekerheid (K): 1,5 m/s²

OPMERKING: De opgegeven trillingsemmissiewaarde is gemeten volgens de standaardtestmethode en kan worden gebruikt om dit gereedschap te vergelijken met andere gereedschappen.

OPMERKING: De opgegeven trillingsemmissiewaarde kan ook worden gebruikt voor een beoordeling vooraf van de blootstelling.

⚠️ WAARSCHUWING: De trillingsemmissie tijdens het gebruik van het elektrisch gereedschap in de praktijk kan verschillen van de opgegeven trillingsemmissiewaarde afhankelijk van de manier waarop het gereedschap wordt gebruikt.

⚠️ WAARSCHUWING: Zorg ervoor dat veiligheidsmaatregelen worden getroffen ter bescherming van de operator die zijn gebaseerd op een schatting van de blootstelling onder praktijkomstandigheden (rekening houdend met alle fasen van de bedrijfscyclus, zoals de tijdsduur gedurende welke het gereedschap is uitgeschakeld en stationair draait, naast de ingeschakelde tijdsduur).

EG-verklaring van conformiteit

Alleen voor Europese landen

De EG-verklaring van conformiteit is bijgevoegd als Bijlage A bij deze gebruiksaanwijzing.

VEILIGHEIDSWAARSCHUWINGEN

Algemene veiligheidswaarschuwingen voor elektrisch gereedschap

⚠️ WAARSCHUWING: Lees alle veiligheidswaarschuwingen, aanwijzingen, afbeeldingen en technische gegevens behorend bij dit elektrische gereedschap aandachtig door. Als u niet alle onderstaande aanwijzingen naleeft, kan dat resulteren in brand, elektrische schokken en/of ernstig letsel.

Bewaar alle waarschuwingen en instructies om in de toekomst te kunnen raadplegen.

De term "elektrisch gereedschap" in de veiligheidsvoorschriften duidt op gereedschappen die op stroom van het lichtnet werken (met snoer) of gereedschappen met een accu (snoerloos).

Veiligheidswaarschuwingen voor een accukantenfrees

1. Houd het elektrisch gereedschap vast aan de geïsoleerde greepvlakken omdat het snijgarantuur met verborgen draden in aanraking kan komen. Wanneer een onder spanning staande draad wordt geraakt, zullen ook de niet-geïsoleerde metalen delen van het elektrisch gereedschap onder spanning komen te staan zodat de gebruiker een elektrische schok kan krijgen.
2. Gebruik klemmen of andere bevestigingsmiddelen om het werkstuk op een stabiel platform te bevestigen en te ondersteunen. Als u het werkstuk in uw hand of tegen uw lichaam geklemd houdt, is het onvoldoende stabiel en kunt u de controle erover verliezen.
3. Draag gehoorbescherming tijdens langdurig gebruik.
4. Behandel de kantenfreesbits zeer voorzichtig.
5. Controleer het kantenfreesbit vóór gebruik nauwkeurig op barsten of beschadigingen. Vervang een gebarsten of beschadigd bit onmiddellijk.
6. Voorkom dat u spijkers raakt. Inspecteer het werkstuk op spijkers en verwijder deze zo nodig voordat u ermee begint te werken.
7. Houd het gereedschap stevig vast.
8. Houd uw handen uit de buurt van draaiende delen.
9. Zorg ervoor dat het kantenfreesbit het werkstuk niet raakt voordat u het gereedschap hebt ingeschakeld.
10. Laat het gereedschap een tijdje draaien voordat u het op het werkstuk gebruikt. Controleer op trillingen of schommelingen die op een verkeerd gemonteerd bit kunnen wijzen.
11. Let goed op de draairichting van het kantenfreesbit en de voortgangsrichting.
12. Laat het gereedschap niet onnodig ingeschakeld. Bedien het gereedschap alleen terwijl u het vasthoudt.
13. Schakel het gereedschap uit en wacht altijd tot het kantenfreesbit volledig tot stilstand is gekomen voordat u het gereedschap uit het werkstuk verwijdert.
14. Raak het kantenfreesbit niet onmiddellijk na gebruik aan. Het kan bijzonder heet zijn en brandwonden op uw huid veroorzaken.
15. Smeer niet zonder na te denken thinner, benzine, olie en dergelijke op de voet van het gereedschap. Deze middelen kunnen scheuren in de voet van het gereedschap veroorzaken.

16. Gebruik kantenfreesbits met de correcte schachtdiameter die geschikt zijn voor de maximumnelheid van het gereedschap.
17. Sommige materialen bevatten chemische stoffen die giftig kunnen zijn. Wees voorzichtig dat u geen stof inademt en het stof niet op uw huid komt. Volg de veiligheidsinstructies van de leverancier van het materiaal op.
18. Draag altijd een stofmasker/ademhalingsapparaat dat geschikt is voor het materiaal en de toepassing waarmee u werkt.

BEWAAR DEZE INSTRUCTIES.

⚠ WAARSCHUWING: Laat u NIET misleiden door een vals gevoel van comfort en bekendheid met het gereedschap (na veelvuldig gebruik) en neem alle veiligheidsvoorschriften van het betreffende gereedschap altijd strikt in acht. **VERKEERD GEBRUIK** of het niet naleven van de veiligheidsvoorschriften in deze gebruiksaanwijzing kan leiden tot ernstig persoonlijk letsel.

Belangrijke veiligheidsinstructies voor een accu

1. Lees alle voorschriften en waarschuwingen op (1) de acculader, (2) de accu, en (3) het product waarvoor de accu wordt gebruikt, alvorens de accu in gebruik te nemen.
2. Neem de accu niet uit elkaar.
3. Als de gebruikstijd van een opgeladen accu aanzienlijk korter is geworden, moet u het gebruik ervan onmiddellijk stopzetten. Voortgezet gebruik kan oververhitting, brandwonden en zelfs een ontploffing veroorzaken.
4. Als elektrolyt in uw ogen is terechtgekomen, spoelt u uw ogen met schoon water en roept u onmiddellijk de hulp van een dokter in. Elektrolyt in de ogen kan blindheid veroorzaken.
5. Voorkom kortsluiting van de accu:
 - (1) Raak de accuklemmen nooit aan met een geleidend materiaal.
 - (2) Bewaar de accu niet in een bak waarin andere metalen voorwerpen zoals spijkers, munten e.d. worden bewaard.
 - (3) Stel de accu niet bloot aan water of regen. Kortsluiting van de accu kan oorzaak zijn van een grote stroomafgifte, oververhitting, brandwonden, en zelfs defecten.
6. Bewaar het gereedschap en de accu niet op plaatsen waar de temperatuur kan oplopen tot 50°C of hoger.
7. Werp de accu nooit in het vuur, ook niet wanneer hij zwaar beschadigd of volledig versleten is. De accu kan ontploffen in het vuur.
8. Wees voorzichtig dat u de accu niet laat vallen en hem niet blootstelt aan schokken of stoten.
9. Gebruik nooit een beschadigde accu.
10. De bijgeleverde lithium-ionbatterijen zijn onderhevig aan de vereisten in de wetgeving omtrent gevaarlijke stoffen.
Voor commerciële transport en dergelijke door derden en transporteurs moeten speciale vereisten ten aanzien van verpakking en etikettering worden nageleefd.

Als voorbereiding van het artikel dat wordt getransporteerd is het noodzakelijk een expert op het gebied van gevaarlijke stoffen te raadplegen. Houd u tevens aan mogelijk strengere nationale regelgeving.

Blootliggende contactpunten moeten worden afgedekt met tape en de accu moet zodanig worden verpakt dat deze niet kan bewegen in de verpakking.

1. **Volg bij het weggooiën van de accu de plaatselijke voorschriften.**

BEWAAR DEZE INSTRUCTIES.

⚠ LET OP: Gebruik uitsluitend originele Makita accu's. Het gebruik van niet-originele accu's, of accu's die zijn gewijzigd, kan ertoe leiden dat de accu ontploft en brand, persoonlijk letsel en schade veroorzaakt. Ook vervalt daarmee de garantie van Makita op het gereedschap en de lader van Makita.

Tips voor een maximale levensduur van de accu

1. **Laad de accu op voordat hij volledig ontladen is. Stop het gebruik van het gereedschap en laad de accu op telkens wanneer u vaststelt dat het vermogen van het gereedschap is afgenomen.**
2. **Laad een volledig opgeladen accu nooit opnieuw op. Te lang opladen verkort de levensduur van de accu.**
3. **Laad de accu op bij een omgevingstemperatuur tussen 10°C en 40°C. Laat een warme accu afkoelen alvorens hem op te laden.**
4. **Laad de accu op als u deze gedurende een lange tijd (meer dan zes maanden) niet gaat gebruiken.**

BESCHRIJVING VAN DE FUNCTIES

⚠ LET OP: Zorg altijd dat het gereedschap is uitgeschakeld en de accu ervan is verwijderd alvorens de functies op het gereedschap af te stellen of te controleren.

De accu aanbrengen en verwijderen

⚠ LET OP: Schakel het gereedschap altijd uit voordat u de accu aanbrengt of verwijdert.

⚠ LET OP: Houd het gereedschap en de accu stevig vast tijdens het aanbrengen of verwijderen van de accu. Als u het gereedschap en de accu niet stevig vasthoudt, kunnen deze uit uw handen glijpen en het gereedschap of de accu beschadigen, of kan persoonlijk letsel worden veroorzaakt.

► Fig.1: 1. Rood deel 2. Knop 3. Accu

Om de accu te verwijderen verschuift u de knop aan de voorkant van de accu en schuift u tegelijkertijd de accu uit het gereedschap.

Om de accu aan te brengen lijnt u de lip op de accu uit met de groef in de behuizing en duwt u de accu op zijn plaats. Steek de accu zo ver mogelijk in het gereedschap tot u een klinkgeluid hoort. Als u het rode deel aan de bovenkant van de knop kunt zien, is de accu niet goed aangebracht.

⚠ LET OP: Breng de accu altijd helemaal aan totdat het rode deel niet meer zichtbaar is. Als u dit niet doet, kan de accu per ongeluk uit het gereedschap vallen en u of anderen in uw omgeving verwonden.

⚠ LET OP: Breng de accu niet met kracht aan. Als de accu niet gemakkelijk in het gereedschap kan worden geschoven, wordt deze niet goed aangebracht.

De resterende acculading controleren

Alleen voor accu's met indicatorlampjes

► Fig.2: 1. Indicatorlampjes 2. Testknop

Druk op de testknop op de accu om de resterende acculading te zien. De indicatorlampjes branden gedurende enkele seconden.

Indicatorlampjes			Resterende acculading
Brandt	Uit	Knippert	
■	□	▧	75% tot 100%
■	■	■	
■	■	□	50% tot 75%
■	□	□	25% tot 50%
■	□	□	0% tot 25%
▧	□	□	Laad de accu op.
■	■	□	Er kan een storing zijn opgetreden in de accu.
□	□	■	

OPMERKING: Afhankelijk van de gebruiksomstandigheden en de omgevingstemperatuur, is het mogelijk dat de aangegeven acculading verschilt van de werkelijke acculading.

Gereedschap-/accubeveiligingssysteem

Het gereedschap is voorzien van een gereedschap-/accubeveiligingssysteem. Dit systeem schakelt automatisch de voeding naar de motor uit om de levensduur van het gereedschap en de accu te verlengen. Het gereedschap kan tijdens het gebruik automatisch stoppen als het gereedschap of de accu aan één van de volgende omstandigheden wordt blootgesteld:

Overbelastingsbeveiliging

Als de accu wordt gebruikt op een manier die ertoe leidt dat een abnormaal hoge stroomsterkte wordt getrokken, stopt het gereedschap automatisch zonder enige aanduiding. In dat geval schakelt u het gereedschap uit en stopt u met het gebruik dat er toe leidde dat het gereedschap overbelast raakte. Schakel vervolgens het gereedschap in om weer te starten.

Oververhittingsbeveiliging

Wanneer het gereedschap of de accu oververhit is, stopt het gereedschap automatisch en knippert de lamp. In dat geval laat u het gereedschap en de accu afkoelen, voordat u het gereedschap opnieuw inschakelt.

Beveiliging tegen te ver ontladen

Als de acculading onvoldoende is, stopt het gereedschap automatisch. In dit geval verwijderd u de accu vanaf het gereedschap en laadt u de accu op.

De trekkerschakelaar gebruiken

Om het gereedschap in te schakelen, drukt u op de vergrendel-ontgrendelknop. Het gereedschap wordt op standby gezet. Om het gereedschap te starten, drukt u in standby op de aan-uitknop. Om het gereedschap te stoppen, drukt u nogmaals op de aan-uitknop. Het gereedschap wordt op standby gezet. Om het gereedschap uit te schakelen, drukt u in standby op de vergrendel-ontgrendelknop.

► **Fig.3:** 1. Vergrendel-ontgrendelknop 2. Aan-uitknop

OPMERKING: Als het gereedschap gedurende 10 seconden op standby blijft staan zonder bediend te worden, wordt het gereedschap automatisch uitgeschakeld en gaat de lamp uit.

OPMERKING: U kunt het gereedschap ook stoppen en uitschakelen, door tijdens gebruik op de vergrendel-ontgrendelknop te drukken.

De lamp op de voorkant gebruiken

LET OP: Kijk niet direct in het lamplicht of in de lichtbron.

Om de lamp in te schakelen, drukt u op de vergrendel-ontgrendelknop. Om de lamp uit te schakelen, drukt u nogmaals op de vergrendel-ontgrendelknop.

KENNISGEVING: Wanneer het gereedschap oververhit is, knippert de lamp. Laat het gereedschap afkoelen voordat u het weer gebruikt.

OPMERKING: Gebruik een droge doek om vuil van de lens van de lamp af te vegen. Wees voorzichtig dat u de lens van de lamp niet bekrast omdat dan de verlichting minder wordt.

Toerentalregelaar

Het toerental van het gereedschap kan worden veranderd door de toerentalregelaar te draaien. De onderstaande tabel toont het cijfer op de toerentalregelaar en het bijbehorende toerental.

► **Fig.4:** 1. Toerentalregelaar

Cijfer	Toerental
1	10.000 min ⁻¹
2	15.000 min ⁻¹
3	20.000 min ⁻¹
4	25.000 min ⁻¹
5	30.000 min ⁻¹

KENNISGEVING: Als het gereedschap gedurende een lange tijd onderbroken op een laag toerental wordt gebruikt, zal de motor overbelast raken, waardoor een storing zal optreden.

KENNISGEVING: Wanneer de toerentalregelaar wordt veranderd van stand "5" naar stand "1", draait u de regelaar linksom. Draai de regelaar niet met kracht rechtsom.

Elektronische functies

Het gereedschap is uitgerust met elektronische functies voor een eenvoudige bediening.

- Constant-toerentalregeling
De toerentalregelfunctie zorgt voor een constant toerental ongeacht de belastingsomstandigheden.
- Zachte start
De functie zachte-start minimaliseert de startschok en laat het gereedschap geleidelijk starten.

De freesdiepte instellen

Om de freesdiepte in te stellen, opent u de vergrendelhendel en beweegt u vervolgens de voet van het gereedschap omhoog of omlaag door de stelschroef te draaien. Na het instellen sluit u de vergrendelhendel stevig.

► Fig.5: 1. Vergrendelhendel 2. Stelschroef

KENNISGEVING: Als het gereedschap niet vergrendeld is na het sluiten van de vergrendelhendel, draait u de zeskantmoer vast en sluit u daarna de vergrendelhendel.

► Fig.6: 1. Zeskantmoer

De freesdiepte instellen terwijl de invalfreesvoet is aangebracht

Optioneel accessoire

1. Plaats het gereedschap op een vlakke ondergrond.
2. Draai de aanslagvoet en selecteer de aanslagbout.
► Fig.7: 1. Aanslagbout 2. Aanslagvoet

3. Draai de borgmoer van de aanslagstang los en houd de toevoerknop ingedrukt terwijl u de aanslagstang omhoog trekt.

► Fig.8: 1. Aanslagstang 2. Borgmoer 3. Toevoerknop

4. Duw het gereedschap omlaag tot de punt van het kantenfreesbit tegen de vlakke ondergrond aan komt, en draai daarna de borghendel om het gereedschap vast te zetten.

► Fig.9: 1. Borghendel 2. Kantenfreesbit

5. Houd de toevoerknop ingedrukt en duw de aanslagstang omlaag totdat deze de aanslagbout raakt.

► Fig.10: 1. Aanslagstang 2. Aanslagbout
3. Toevoerknop

6. Schuif de diepteaanwijzer zodat de punt van de aanwijzer "0" aanwijst op de schaalverdeling.

► Fig.11: 1. Diepteaanwijzer

7. Stel de freesdiepte in door de toevoerknop ingedrukt te houden terwijl u de aanslagstang omhoog trekt.

► Fig.12: 1. Aanslagstang 2. Toevoerknop

8. Om de freesdiepte nauwkeurig in te stellen, draait u de fijnregelknop op de aanslagstang zodat deze op "0" staat.

► Fig.13: 1. Fijnregelknop

9. Draai de kop van de aanslagstang om de gewenste diepte in te stellen. Voor een grotere diepte draait u de kop linksom. Voor een minder grote diepte draait u de kop rechtsom.

► Fig.14: 1. Kop van de aanslagstang

10. Draai de borgmoer van de aanslagstang vast.

► Fig.15: 1. Borgmoer

11. Zet de borghendel los.

► Fig.16: 1. Borghendel

MONTAGE

⚠ LET OP: Zorg altijd dat het gereedschap is uitgeschakeld en de accu ervan is verwijderd alvorens enig werk aan het gereedschap uit te voeren.

Een kantenfreesbit aanbrengen en verwijderen

KENNISGEVING: Draai de spankopmoer niet vast zonder dat een bit is aangebracht. De spankegel kan dan breken.

Steek het kantenfreesbit helemaal in de spankegel. Druk de asblokkering in en draai de spankopmoer vast met behulp van de sleutel, of draai de spankopmoer stevig vast met behulp van de twee sleutels. Om het bit te verwijderen, volgt u de procedure voor het aanbrengen in de omgekeerde volgorde.

► Fig.17: 1. Asblokkering 2. Losdraaien
3. Vastdraaien 4. Sleutel 5. Spankopmoer

► Fig.18: 1. Sleutel 2. Losdraaien 3. Vastdraaien
4. Spankopmoer

OPMERKING: Mogelijk keert de asblokkering niet terug naar zijn oorspronkelijke stand wanneer u de spankopmoer vastdraait na het aanbrengen van het kantenfreesbit. De asblokkering keert terug naar zijn oorspronkelijke stand wanneer u het gereedschap start.

► Fig.19: 1. Asblokkering

De kantenfreesvoet aanbrengen en verwijderen

1. Open de vergrendelhendel van de kantenfreesvoet, en steek daarna het gereedschap in de kantenfreesvoet door de groef op het gereedschap uit te lijnen met de uitsteeksel op de kantenfreesvoet.

► Fig.20: 1. Vergrendelhendel

2. Sluit de vergrendelhendel.

3. Bevestig de stofafzuigaansluitmond aan de kantenfreesvoet en draai daarna de vingerschroef vast.

► Fig.21: 1. Stofafzuigaansluitmond 2. Vingerschroef

► Fig.22

Om de voet van het gereedschap te verwijderen, volgt u de procedure voor het aanbrengen in de omgekeerde volgorde.

⚠ LET OP: Als u het gereedschap gebruikt met de kantenfreesvoet, zorgt u ervoor dat de stofafzuigaansluitmond is aangebracht op de kantenfreesvoet.

De verstelbare freesvoet aanbrengen en verwijderen

Optioneel accessoire

1. Open de vergrendelhendel van de verstelbare freesvoet, en steek daarna het gereedschap in de verstelbare freesvoet door de groef op het gereedschap uit te lijnen met de uitsteeksels op de verstelbare freesvoet.

► **Fig.23:** 1. Vergrendelhendel

2. Sluit de vergrendelhendel.

Om de voet van het gereedschap te verwijderen, volgt u de procedure voor het aanbrengen in de omgekeerde volgorde.

De versprongen freesvoet aanbrengen en verwijderen

Optioneel accessoire

1. Druk de asblokkering in en draai daarna de spankopmoer los.

► **Fig.24:** 1. Spankopmoer 2. Asblokkering 3. Sleutel

2. Verwijder de spankopmoer en de spankegel.

► **Fig.25:** 1. Spankopmoer 2. Spankegel

3. Breng de aandrijfkop aan op het gereedschap door de asblokkering in te drukken en de aandrijfkop vast te zetten met behulp van de sleutel.

► **Fig.26:** 1. Sleutel 2. Aandrijfkop 3. Asblokkering

4. Draai de schroeven van de voetplaat los en verwijder de voetplaat.

► **Fig.27:** 1. Voetplaat

5. Open de vergrendelhendel van de versprongen freesvoet, en steek daarna het gereedschap in de versprongen freesvoet.

► **Fig.28:** 1. Vergrendelhendel

6. Breng de riem aan rond de aandrijfkop door de riem met de hand te draaien.

► **Fig.29:** 1. Aandrijfkop 2. Riem

7. Sluit de vergrendelhendel.

► **Fig.30:** 1. Vergrendelhendel

8. Bevestig de voetplaat door de schroeven vast te draaien.

► **Fig.31:** 1. Voetplaat

9. Steek de spankegel en het kantenfreesbit in en de versprongen freesvoet en draai daarna de spankopmoer vast.

► **Fig.32:** 1. Kantenfreesbit 2. Spankopmoer 3. Spankegel

10. Steek de inbussleutel in het gat van de versprongen freesvoet, en draai daarna de spankopmoer vast met behulp van de sleutel.

► **Fig.33:** 1. Spankopmoer 2. Sleutel 3. Inbussleutel

Om de voet van het gereedschap te verwijderen, volgt u de procedure voor het aanbrengen in de omgekeerde volgorde.

OPMERKING: U kunt de riem ook aanbrengen rond de aandrijfkop zonder de voetplaat te verwijderen, zoals aangegeven in de afbeelding.

► **Fig.34:** 1. Aandrijfkop 2. Riem

De invalfreesvoet aanbrengen en verwijderen

Optioneel accessoire

1. Open de vergrendelhendel van de invalfreesvoet, en steek daarna het gereedschap helemaal in de invalfreesvoet door de groef op het gereedschap uit te lijnen met de uitsteeksels op de invalfreesvoet.

► **Fig.35:** 1. Vergrendelhendel

2. Sluit de vergrendelhendel.

Om de voet van het gereedschap te verwijderen, volgt u de procedure voor het aanbrengen in de omgekeerde volgorde.

De parallelgeleider aanbrengen op en verwijderen vanaf de invalfreesvoet

Optioneel accessoire

Steek de geleidestangen in de gaten van de invalfreesvoet, en draai daarna de vleugelbouten vast. Om de linaal te verwijderen, volgt u de procedure voor het aanbrengen in de omgekeerde volgorde.

► **Fig.36:** 1. Vleugelbout 2. Geleidestang

De stofafzuigaansluitmond aanbrengen op en verwijderen vanaf de invalfreesvoet

Steek de stofafzuigaansluitmond in de invalfreesvoet zodat het uitsteeksels op de stofafzuigaansluitmond valt in de inkeping in de invalfreesvoet, en draai daarna de vingerschroef op de stofafzuigaansluitmond vast. Om de stofafzuigaansluitmond te verwijderen, volgt u de procedure voor het aanbrengen in de omgekeerde volgorde.

► **Fig.37:** 1. Uitsteeksels 2. Stofafzuigaansluitmond 3. Vingerschroef

► **Fig.38**

BEDIENING

Het gereedschap gebruiken met de kantenfreesvoet

Plaats de voet van het gereedschap op het werkstuk, zonder dat het kantenfreesbit het werkstuk raakt. Schakel het gereedschap in en wacht totdat het bit op volle snelheid draait. Beweeg het gereedschap naar voren over het oppervlak van het werkstuk. Houd het gereedschap vlak op het werkstuk terwijl u het gereedschap beweegt.

Bij het frezen van de rand van het werkstuk, moet het oppervlak van het werkstuk zich aan de linkerkant van het kantenfreesbit bevinden, gezien in de voortgangsrichting.

► **Fig.39**

OPMERKING: Voordat u in het daadwerkelijke werkstuk freest, adviseren wij u eerst een proefsnede te maken. De juiste voortgangssnelheid is afhankelijk van de maat van het kantenfreesbit, het soort werkstuk en de freesdiepte. Als u het gereedschap te snel voorwaarts beweegt, kan de snede van slechte kwaliteit zijn, of het bit of de motor worden beschadigd. Als u het gereedschap te langzaam voorwaarts beweegt, kan het gefreesde oppervlak verbranden en lelijk worden.

Als u de trimschoen, de langsgeleider of de trimgeleider gebruikt, zorgt u ervoor dat u deze langs de rechterkant houdt, gezien in de voortgangsrichting. Hierdoor blijft deze gelijklopen met de zijkant van het werkstuk.

► **Fig.40:** 1. Kantenfreesbit 2. Werkstuk
3. Langsgeleider

KENNISGEVING: Aangezien door buitensporig frezen de motor overbelast kan worden of het gereedschap moeilijk te besturen kan zijn, mag bij het frezen van groeven de freesdiepte niet meer dan 3 mm per werkgang bedragen. Als u groeven van meer dan 3 mm diep wilt frezen, voert u meerdere werkgangen uit met een steeds lager ingesteld bit.

De langsgeleider gebruiken

Optioneel accessoire

1. Breng de langsgeleider aan met behulp van de bout en de vleugelmoer.
► **Fig.41:** 1. Bout 2. Vleugelmoer
2. Bevestig de langsgeleider aan de kantenfreesvoet met behulp van de klemschroef.
► **Fig.42:** 1. Klemschroef
3. Draai de vleugelmoer van de langsgeleider los en stel de afstand in tussen het bit en de langsgeleider. Draai op de gewenste afstand de vleugelmoer vast.
► **Fig.43:** 1. Vleugelmoer
4. Beweeg het gereedschap met de langsgeleider strak langs de zijkant van het werkstuk.
► **Fig.44**

Als de afstand (A) tussen de zijkant van het werkstuk en de freespositie te groot is voor de langsgeleider, of als de zijkant van het werkstuk niet recht is, kan de langsgeleider niet worden gebruikt.

In dat geval klemt u een rechte lat op het werkstuk en gebruikt u deze als een geleider om de kantenfreesvoet langs te bewegen. Beweeg het gereedschap in de richting van de pijl.

► **Fig.45**

De langsgeleider gebruiken om cirkels te frezen

Om cirkels te frezen, brengt u de langsgeleider aan zoals aangegeven in de afbeelding. De minimale en maximale straal van de te frezen cirkel (de afstand tussen het midden van de cirkel en het midden van het bit) zijn als volgt:

- Minimaal: 70 mm
- Maximaal: 221 mm

Cirkels frezen met een straal tussen 70 mm en 121 mm

► **Fig.46:** 1. Middengat

Cirkels frezen met een straal tussen 121 mm en 221 mm

► **Fig.47:** 1. Middengat

OPMERKING: Cirkels met een straal tussen 172 mm en 186 mm kunnen niet worden gefreesd met behulp van deze geleider.

Lijn het middengat in de langsgeleider uit met het midden van de te frezen cirkel. Sla een spijker met een diameter van minder dan 6 mm in het middengat om de langsgeleider vast te zetten. Draai met het gereedschap rechtsom rond de spijker.

► **Fig.48:** 1. Spijker 2. Middengat

De malgeleider gebruiken

Optioneel accessoire

Met de malgeleider is het mogelijk om met behulp van een mal herhaaldelijk een malpatroon te frezen.

1. Draai de schroeven van de voetplaat los en verwijder daarna de voetplaat vanaf de kantenfreesvoet.
2. Plaats de malgeleider op de voet van het gereedschap en bevestig daarna de voetplaat door de schroeven vast te draaien.

► **Fig.49:** 1. Voetplaat 2. Malgeleider

3. Plaats het gereedschap op de mal en beweeg het gereedschap terwijl de malgeleider langs de zijkant van de mal glijdt.

► **Fig.50**

OPMERKING: De daadwerkelijk gefreesde grootte op het werkstuk verschilt iets van de grootte van de mal. Het verschil is de afstand (X) tussen het kantenfreesbit en de buitenrand van de malgeleider. De afstand (X) kan worden berekend met behulp van de volgende vergelijking:

Afstand (X) = (buitendiameter van de malgeleider - diameter van het kantenfreesbit) / 2

► **Fig.51:** 1. Kantenfreesbit 2. Malgeleider 3. Afstand (X) 4. Buitendiameter van malgeleider

De trimgeleider gebruiken

Optioneel accessoire

Met de trimgeleider is het mogelijk om de gebogen zijkant, zoals bij meubels, te frezen door het geleiderwiel langs de zijkant van het werkstuk te bewegen.

► **Fig.52**

1. Draai de klemschroef los, breng vervolgens de trimgeleider aan op de kantenfreesvoet, en draai daarna de klemschroef vast.

► **Fig.53:** 1. Klemschroef

2. Draai de klemschroef los en stel de afstand in tussen het kantenfreesbit en de trimgeleider door de stelschroef te draaien (1 mm per omwenteling). Draai op de gewenste afstand de klemschroef vast om de trimgeleider vast te zetten.

► **Fig.54:** 1. Stelschroef 2. Klemschroef

3. Beweeg het gereedschap zodanig dat het geleiderwiel langs de zijkant van het werkstuk rolt.

► **Fig.55:** 1. Werkstuk 2. Bit 3. Geleiderwiel

Het gereedschap gebruiken met de verstelbare freesvoet

De verstelbare freesvoet is handig om schuine kanten te frezen. Draai de vleugelschroeven los, kantel vervolgens het gereedschap onder de gewenste hoek, en draai daarna de vleugelschroeven vast.

Klem een rechte lat stevig op het werkstuk en gebruik deze als een geleider om de voet van de verstelbare freesvoet langs te bewegen. Beweeg het gereedschap in de richting van de pijl.

► **Fig.56:** 1. Vleugelschroef

De verstelbare freesvoetplaat gebruiken met de kantenfreesvoet

Om de kantenfreesvoet te gebruiken met een vierkante voetplaat, verwijdert u de voetplaat vanaf de verstelbare freesvoet en bevestigt u hem vervolgens op de kantenfreesvoet.

► **Fig.57:** 1. Verstelbare freesvoetplaat
2. Kantenfreesvoetplaat

Het gereedschap gebruiken met de versprongen freesvoet

De versprongen freesvoet is handig bij werken in een krappe ruimte, zoals in een hoek.

► **Fig.58**

De kantenfreesvoet gebruiken met de versprongen freesvoetplaat en handgreep

De versprongen freesvoetplaat kan voor meer stabiliteit ook worden gebruikt met een kantenfreesvoet en een handgreep-hulpstuk (optioneel accessoire).

1. Draai de schroeven van de voetplaat los en verwijder daarna de voetplaat vanaf de versprongen freesvoet.

► **Fig.59:** 1. Versprongen freesvoetplaat
2. Kantenfreesvoetplaat

2. Bevestig de versprongen freesvoetplaat aan de kantenfreesvoet door de schroeven vast te draaien.

3. Bevestig het handgreep-hulpstuk en de rechte handgreep op de versprongen freesvoetplaat door de schroeven vast te draaien.

► **Fig.60:** 1. Rechte handgreep
2. Handgreep-hulpstuk

In plaats van de rechte handgreep kan de knophandgreep, die vanaf de invalfreesvoet is verwijderd, worden bevestigd op versprongen freesvoet.

► **Fig.61:** 1. Schroef 2. Knophandgreep

Het gereedschap gebruiken met de invalfreesvoet

Houd tijdens gebruik de handgrepen altijd met twee handen stevig vast. Bedien het gereedschap op dezelfde manier als met de kantenfreesvoet.

De langseleider gebruiken

Optioneel accessoire

1. Breng de langseleider aan op de geleiderhouder door de vleugelmoer vast te draaien. Steek de geleiderhouder in de gaten van de invalfreesvoet, en draai daarna de vleugelbouten vast.

► **Fig.62:** 1. Vleugelbout 2. Geleiderhouder
3. Vleugelmoer 4. Langseleider

2. Draai de vleugelmoer van de langseleider los en stel de afstand in tussen het bit en de langseleider. Draai op de gewenste afstand de vleugelmoer vast.

► **Fig.63:** 1. Vleugelmoer

3. Bedien het gereedschap op dezelfde manier als de langseleider voor de kantenfreesvoet.

► **Fig.64**

De malgeleider gebruiken

Optioneel accessoire

1. Draai de schroeven van de voet van het gereedschap los en verwijder ze. Plaats de malgeleider op de voet van het gereedschap en draai daarna de schroeven vast.

► **Fig.65:** 1. Schroef 2. Malgeleider

2. Bedien het gereedschap op dezelfde manier als de malgeleider voor de kantenfreesvoet.

► **Fig.66**

De parallelgeleider gebruiken

De parallelgeleider wordt gebruikt bij het rechtuit frezen van een schuine kant of groef. Stel de afstand tussen het bit en de parallelgeleider af. Draai op de gewenste afstand de vleugelbouten vast om de parallelgeleider vast te zetten. Beweeg tijdens het frezen het gereedschap met de parallelgeleider strak langs de zijkant van het werkstuk.

► **Fig.67**

Als de afstand (A) tussen de zijkant van het werkstuk en de freespositie te groot is voor de parallelgeleider, of als de zijkant van het werkstuk niet recht is, kan de parallelgeleider niet worden gebruikt.

In dat geval klemt u een rechte lat op het werkstuk en gebruikt u deze als een geleider om de invalfreesvoet langs te bewegen. Beweeg het gereedschap in de richting van de pijl.

► **Fig.68**

De knophandgreep vervangen door de rechte handgreep

Om de rechte handgreep aan te brengen op de invalfreesvoet, draait u de schroef uit de knophandgreep, verwijdert u de knophandgreep, en brengt u de rechte handgreep aan door deze vast te draaien.

► **Fig.69:** 1. Knophandgreep 2. Schroef 3. Rechte handgreep

ONDERHOUD

▲LET OP: Zorg altijd dat het gereedschap is uitgeschakeld en de accu ervan is verwijderd alvorens te beginnen met onderhoud of inspectie.

KENNISGEVING: Gebruik nooit benzine, wasbenzine, thinner, alcohol en dergelijke. Hierdoor kunnen verkleuring, vervormingen en barsten worden veroorzaakt.

Om de VEILIGHEID en BETROUWBAARHEID van het gereedschap te handhaven, dienen alle reparaties, onderhoud of afstellingen te worden uitgevoerd bij een erkend Makita-servicecentrum of de Makita-fabriek, en altijd met gebruik van Makita-vervangingsonderdelen.

OPTIONELE ACCESSOIRES

▲LET OP: Deze accessoires of hulpstukken worden aanbevolen voor gebruik met het Makita gereedschap dat in deze gebruiksaanwijzing is beschreven. Bij gebruik van andere accessoires of hulpstukken bestaat het gevaar van persoonlijke letsel. Gebruik de accessoires of hulpstukken uitsluitend voor hun bestemde doel.

Wenst u meer bijzonderheden over deze accessoires, neem dan contact op met het plaatselijke Makita-servicecentrum.

- Diverse groefbits
- Diverse afkantrbits
- Diverse laminaatrimbits
- Langsgeleider, compleet
- Trimgeleider, compleet
- Kantenfreesvoet, compleet
- Verstelbare freesvoet, compleet
- Invalfreesvoet, compleet
- Versprongen freesvoet, compleet
- Handgreep-hulpstuk
- Malgeleider
- Spankegel 6 mm
- Spankegel 6,35 mm (1/4")
- Spankegel 8 mm
- Spankegel 9,53 mm (3/8")
- Sleutel 13
- Sleutel 22
- Originele Makita accu's en acculaders

OPMERKING: Sommige items op de lijst kunnen zijn inbegrepen in de doos van het gereedschap als standaard toebehoren. Deze kunnen van land tot land verschillen.

Kantenfreesbits

Vlaktgroefbit

► Fig.70

	D	A	L1	L2
20	6	20	50	15
20E	1/4"			
8	8	8	60	25
8	6		50	18
8E	1/4"			
6	6	6	50	18
6E	1/4"			

Eenheid: mm

U-groefbit

► Fig.71

	D	A	L1	L2	R
6	6	6	50	18	3
6E	1/4"				

Eenheid: mm

V-groefbit

► Fig.72

D	A	L1	L2	θ
1/4"	20	50	15	90°

Eenheid: mm

Afkantrimbit met boorpunt

► Fig.73

	D	A	L1	L2	L3
8	8	8	60	20	35
6	6	6		18	28
6E	1/4"				

Eenheid: mm

Dubbele afkantrimbit met boorpunt

► Fig.74

	D	A	L1	L2	L3	L4
8	8	8	80	95	20	25
6	6	6	70	40	12	14
6E	1/4"					

Eenheid: mm

Papegaaienbekbit

► Fig.75

	D	A1	A2	L1	L2	L3	R
8R	6	25	9	48	13	5	8
8RE	1/4"						
4R	6	20	8	45	10	4	4
4RE	1/4"						

Eenheid: mm

Afschuinbit

► Fig.76

D	A	L1	L2	L3	θ
6	23	46	11	6	30°
6	20	50	13	5	45°
6	20	49	14	2	60°

Eenheid: mm

Kwartholprofielbit

► Fig.77

D	A	L1	L2	R
6	20	43	8	4
6	25	48	13	8

Eenheid: mm

Afkanttrimbit met kogellager

► Fig.78

D	A	L1	L2
6	10	50	20
1/4"			

Eenheid: mm

Papegaaienbekbit met kogellager

► Fig.79

D	A1	A2	L1	L2	L3	R
6	15	8	37	7	3,5	3
6	21		40	10		6
1/4"						

Eenheid: mm

Afschuinbit met kogellager

► Fig.80

D	A1	A2	L1	L2	θ
6	26	8	42	12	45°
1/4"					
6	20		41	11	60°

Eenheid: mm

Kwartrondbit met kogellager

► Fig.81

D	A1	A2	A3	L1	L2	L3	R
6	20	12	8	40	10	5,5	4
6	26			42	12	4,5	7

Eenheid: mm

Kwartholprofielbit met kogellager

► Fig.82

D	A1	A2	A3	A4	L1	L2	L3	R
6	20	18	12	8	40	10	5,5	3
6	26	22			42	12	5	5

Eenheid: mm

Ojiefbit met kogellager

► Fig.83

D	A1	A2	L1	L2	L3	R1	R2
6	20	8	40	10	4,5	2,5	4,5
6	26		42	12		3	6

Eenheid: mm

ESPECIFICACIONES

Modelo:	DRT50
Capacidad del mandril cónico	6 mm, 8 mm, 1/4" o 3/8"
Velocidad sin carga	10.000 - 30.000 min ⁻¹
Longitud total	226 mm
Tensión nominal	CC 18 V
Cartucho de batería estándar	BL1815N / BL1820 / BL1820B / BL1830 / BL1830B / BL1840 / BL1840B / BL1850 / BL1850B / BL1860B
Peso neto	1,8 - 2,1 kg

- Debido a nuestro continuado programa de investigación y desarrollo, las especificaciones aquí dadas están sujetas a cambios sin previo aviso.
- Las especificaciones y el cartucho de batería pueden diferir de país a país.
- El peso puede variar dependiendo del accesorio(s), incluyendo el cartucho de batería. La combinación menos pesada y la más pesada, de acuerdo con el procedimiento EPTA 01/2014, se muestran en la tabla.

Uso previsto

La herramienta ha sido prevista para recortar a ras y perfilar madera, plástico y materiales similares.

Ruido

El nivel de ruido A-ponderado típico determinado de acuerdo con la norma EN60745:

Nivel de presión sonora (L_{pA}) : 78 dB (A)

Error (K) : 3 dB (A)

ADVERTENCIA: Póngase protectores para oídos.

Vibración

El valor total de la vibración (suma de vectores triaxiales) determinado de acuerdo con la norma EN60745:

Modo de trabajo: giro sin carga

Emisión de vibración (a_{r1}) : 2,5 m/s² o menos

Error (K) : 1,5 m/s²

Modo de trabajo: hacer ranuras en MDF

Emisión de vibración (a_{r1}) : 4,5 m/s²

Error (K) : 1,5 m/s²

NOTA: El valor de emisión de vibración declarado ha sido medido de acuerdo con el método de prueba estándar y se puede utilizar para comparar una herramienta con otra.

NOTA: El valor de emisión de vibración declarado también se puede utilizar en una valoración preliminar de exposición.

ADVERTENCIA: La emisión de vibración durante la utilización real de la herramienta eléctrica puede variar del valor de emisión declarado dependiendo de las formas en las que la herramienta sea utilizada.

ADVERTENCIA: Asegúrese de identificar medidas de seguridad para proteger al operario que estén basadas en una estimación de la exposición en las condiciones reales de utilización (teniendo en cuenta todas las partes del ciclo operativo como las veces cuando la herramienta está apagada y cuando está funcionando en vacío además del tiempo de gatillo).

Declaración CE de conformidad

Para países europeos solamente

La declaración CE de conformidad está incluida como Anexo A de esta manual de instrucciones.

ADVERTENCIAS DE SEGURIDAD

Advertencias de seguridad para herramientas eléctricas en general

ADVERTENCIA: Lea todas las advertencias de seguridad, instrucciones, ilustraciones y especificaciones provistas con esta herramienta eléctrica. Si no sigue todas las instrucciones indicadas abajo podrá resultar en una descarga eléctrica, un incendio y/o heridas graves.

Guarde todas las advertencias e instrucciones para futuras referencias.

El término "herramienta eléctrica" en las advertencias se refiere a su herramienta eléctrica de funcionamiento con conexión a la red eléctrica (con cable) o herramienta eléctrica de funcionamiento a batería (sin cable).

Advertencias de seguridad para la recortadora inalámbrica

1. Sujete la herramienta eléctrica por las superficies de asimiento aisladas porque el cortador puede entrar en contacto con el cableado oculto. Cortar un cable con corriente puede hacer que la corriente circule por las partes metálicas expuestas de la herramienta eléctrica y aturdir al operario.
2. Utilice mordazas u otros medios de sujeción prácticos para sujetar y apoyar la pieza de trabajo en una plataforma estable. Sujetada con su mano o contra el cuerpo, la pieza de trabajo estará inestable y podrá ocasionar la pérdida del control.
3. Póngase protección auditiva durante periodos prolongados de operación.
4. Maneje las fresas con mucho cuidado.
5. Inspeccione la fresa cuidadosamente para ver si tiene grietas o daños antes de comenzar la operación. Reemplace la fresa inmediatamente si está agrietada o dañada.
6. Evite cortar clavos. Inspeccione la pieza de trabajo por si tiene clavos y retirelos todos antes de empezar la operación.
7. Sujete la herramienta firmemente.
8. Mantenga las manos alejadas de las partes giratorias.
9. Asegúrese de que la fresa no está tocando la pieza de trabajo antes de activar el interruptor.
10. Antes de utilizar la herramienta en un pieza de trabajo definitiva, déjela funcionar durante un rato. Observe por si hay vibración o bamboleo que pueda indicar una instalación incorrecta de la fresa.
11. Tenga cuidado de la dirección de giro y dirección de avance de la fresa.
12. No deje la herramienta encendida. Téngala encendida solamente cuando la tenga en las manos.
13. Apague siempre la herramienta y espere hasta que la fresa se haya parado completamente antes de retirar la herramienta de la pieza de trabajo.
14. No toque la fresa inmediatamente después de la operación; podrá estar muy caliente y quemarle la piel.
15. No embadurne la base de la herramienta sin cuidado con disolvente, gasolina, aceite o similar. Estas sustancias pueden ocasionar grietas en la base de la herramienta.

16. Utilice fresas del diámetro de espiga correcto apropiadas para la velocidad de la herramienta.
17. Algunos materiales contienen sustancias químicas que podrán ser tóxicas. Tenga precaución para evitar la inhalación de polvo y el contacto con la piel. Siga los datos de seguridad del abastecedor del material.
18. Utilice siempre la mascarilla contra el polvo/respirador correcto para el material y la aplicación con que esté trabajando.

GUARDE ESTAS INSTRUCCIONES.

⚠️ ADVERTENCIA: NO deje que la comodidad o familiaridad con el producto (a base de utilizarlo repetidamente) sustituya la estricta observancia de las normas de seguridad para el producto en cuestión. El MAL USO o el no seguir las normas de seguridad establecidas en este manual de instrucciones podrá ocasionar graves heridas personales.

Instrucciones de seguridad importantes para el cartucho de batería

1. Antes de utilizar el cartucho de batería, lea todas las instrucciones e indicaciones de precaución sobre (1) el cargador de baterías, (2) la batería, y (3) el producto con el que se utiliza la batería.
2. No desarme el cartucho de batería.
3. Si el tiempo de uso se acorta demasiado, cese la operación inmediatamente. Podría resultar en un riesgo de recalentamiento, posibles quemaduras e incluso una explosión.
4. Si entra electrolito en sus ojos, aclárelos con agua limpia y acuda a un médico inmediatamente. Existe el riesgo de poder perder la vista.
5. No cortocircuite el cartucho de batería:
 - (1) No toque los terminales con ningún material conductor.
 - (2) Evite guardar el cartucho de batería en un cajón junto con otros objetos metálicos, como clavos, monedas, etc.
 - (3) No exponga el cartucho de batería al agua ni a la lluvia.Un cortocircuito en la batería puede producir una gran circulación de corriente, un recalentamiento, posibles quemaduras e incluso una rotura de la misma.
6. No guarde la herramienta y el cartucho de batería en lugares donde la temperatura pueda alcanzar o exceder los 50 °C.
7. Nunca incinere el cartucho de batería incluso en el caso de que esté dañado seriamente o ya no sirva en absoluto. El cartucho de batería puede explotar si se tira al fuego.
8. Tenga cuidado de no dejar caer ni golpear el cartucho de batería.
9. No utilice una batería dañada.

10. **Las baterías de litio-ion contenidas están sujetas a los requisitos de la Legislación para Materiales Peligrosos.**

Para transportes comerciales, p.ej., por terceras personas y agentes de transportes, se deberán observar requisitos especiales para el empaquetado y etiquetado.

Para la preparación del artículo que se va a enviar, se requiere consultar con un experto en materiales peligrosos. Por favor, observe también la posibilidad de reglamentos nacionales más detallados.

Cubra con cinta aislante o enmascare los contactos expuestos y empaquete la batería de tal manera que no se pueda mover alrededor dentro del embalaje.

11. **Siga los reglamentos locales referentes al desecho de la batería.**

GUARDE ESTAS INSTRUCCIONES.

⚠PRECAUCIÓN: Utilice solamente baterías genuinas de Makita. La utilización de baterías no genuinas de Makita, o baterías que han sido alteradas, puede resultar en una explosión de la batería ocasionando incendios, heridas personales y daños. También anulará la garantía de Makita para la herramienta y el cargador de Makita.

Consejos para alargar al máximo la vida de servicio de la batería

1. **Cargue el cartucho de batería antes de que se descargue completamente. Detenga siempre la operación y cargue el cartucho de batería cuando note menos potencia en la herramienta.**
2. **No cargue nunca un cartucho de batería que esté completamente cargado. La sobrecarga acortará la vida de servicio de la batería.**
3. **Cargue el cartucho de batería a temperatura ambiente de 10 °C - 40 °C. Si un cartucho de batería está caliente, déjelo enfriar antes de cargarlo.**
4. **Cargue el cartucho de batería si no lo utiliza durante un periodo de tiempo prolongado (más de seis meses).**

DESCRIPCIÓN DEL FUNCIONAMIENTO

⚠PRECAUCIÓN: Asegúrese siempre de que la herramienta está apagada y el cartucho de batería retirado antes de realizar cualquier ajuste o comprobación en la herramienta.

Instalación o extracción del cartucho de batería

⚠PRECAUCIÓN: Apague siempre la herramienta antes de instalar o retirar el cartucho de batería.

⚠PRECAUCIÓN: Sujete la herramienta y el cartucho de batería firmemente cuando instale o retire el cartucho de batería. Si no sujeta la herramienta y el cartucho de batería firmemente podrán caerse de las manos y resultar en daños a la herramienta y al cartucho de batería y heridas personales.

► Fig.1: 1. Indicador rojo 2. Botón 3. Cartucho de batería

Para retirar el cartucho de batería, deslícelo de la herramienta mientras desliza el botón de la parte frontal del cartucho.

Para instalar el cartucho de batería, alinee la lengüeta del cartucho de batería con la ranura de la carcasa y deslícelo hasta que encaje en su sitio. Insértelo a tope hasta que se bloquee en su sitio produciendo un pequeño chasquido. Si puede ver el indicador rojo en el lado superior del botón, no estará bloqueado completamente.

⚠PRECAUCIÓN: Instale siempre el cartucho de batería completamente hasta que no pueda verse el indicador rojo. En caso contrario, podrá caerse accidentalmente de la herramienta y ocasionarle heridas a usted o a alguien que esté cerca de usted.

⚠PRECAUCIÓN: No instale el cartucho de batería empleando fuerza. Si el cartucho no se desliza al interior fácilmente, será porque no está siendo insertado correctamente.

Modo de indicar la capacidad de batería restante

Solamente para cartuchos de batería con el indicador

► Fig.2: 1. Lámparas indicadoras 2. Botón de comprobación

Presione el botón de comprobación en el cartucho de batería para indicar la capacidad de batería restante. Las lámparas indicadoras se iluminan durante unos pocos segundos.

Lámparas indicadoras			Capacidad restante
Iluminada	Apagada	Parpadeando	
			75% a 100%
			50% a 75%
			25% a 50%
			0% a 25%
			Cargue la batería.
			Puede que la batería no esté funcionando bien.

NOTA: Dependiendo de las condiciones de utilización y de la temperatura ambiente, la indicación podrá variar ligeramente de la capacidad real.

Sistema de protección de la herramienta / batería

La herramienta está equipada con un sistema de protección de la herramienta/batería. Este sistema corta automáticamente la alimentación al motor para alargar la vida de servicio de la herramienta y la batería. La herramienta se detendrá automáticamente durante la operación si la herramienta o la batería es puesta en una de las condiciones siguientes:

Protección contra sobrecarga

Cuando la batería sea operada de manera que le haga extraer una corriente anormalmente alta, la herramienta se detendrá automáticamente sin ninguna indicación. En esta situación, apague la herramienta y detenga la aplicación que ocasiona la sobrecarga de la herramienta. Después encienda la herramienta para volver a empezar.

Protección contra el recalentamiento

Cuando la herramienta o la batería se recalienta, la herramienta se detiene automáticamente y la lámpara parpadea. En este caso, deje que la herramienta y la batería se enfríen antes de encender la herramienta otra vez.

Protección contra descarga excesiva

Cuando la capacidad de batería no es suficiente, la herramienta se detiene automáticamente. En este caso, retire la batería de la herramienta y cargue la batería.

Accionamiento del interruptor

Para encender la herramienta, presione el botón de bloqueo/desbloqueo. La herramienta se enciende y queda en modo de espera. Para poner en marcha la herramienta, presione el botón de inicio/detención en el modo de espera. Para detener la herramienta, vuelva a presionar el botón de inicio/detención. La herramienta se enciende y queda en modo de espera. Para apagar la herramienta, presione el botón de bloqueo/desbloqueo en el modo de espera.

► **Fig.3:** 1. Botón de bloqueo/desbloqueo 2. Botón de inicio/detención

NOTA: Si la herramienta permanece 10 segundos sin ser utilizada en el modo de espera, tanto la herramienta como la lámpara se apagan automáticamente.

NOTA: También puede detener y apagar la herramienta presionando el botón de bloqueo/desbloqueo mientras la herramienta está en funcionamiento.

Encendido de la lámpara delantera

PRECAUCIÓN: No mire a la luz ni vea la fuente de luz directamente.

Para encender la lámpara, presione el botón de bloqueo/desbloqueo. Para apagar la lámpara, vuelva a presionar el botón de bloqueo/desbloqueo.

AVISO: Si la herramienta se recalienta, la lámpara parpadea. Deje enfriar la herramienta por completo antes de volver a utilizarla.

NOTA: Utilice un paño seco para quitar la suciedad de la lente de la lámpara. Tenga cuidado de no rayar la lente de la lámpara, porque podrá disminuir la iluminación.

Dial de ajuste de velocidad

Se puede cambiar la velocidad de rotación de la herramienta girando el dial de ajuste de velocidad. La siguiente tabla muestra el número del dial y la velocidad de rotación correspondiente.

► **Fig.4:** 1. Dial de ajuste de velocidad

Número	Velocidad
1	10.000 min ⁻¹
2	15.000 min ⁻¹
3	20.000 min ⁻¹
4	25.000 min ⁻¹
5	30.000 min ⁻¹

AVISO: Si se utiliza la herramienta de manera continua a una velocidad baja y por un tiempo prolongado, el motor se sobrecargará y la herramienta comenzará a funcionar mal.

AVISO: Al cambiar el dial de velocidad desde el "5" hasta el "1", gire el dial hacia la izquierda. No gire el dial hacia la derecha por la fuerza.

Función electrónica

La herramienta está equipada con funciones electrónicas para facilitar su funcionamiento.

- Control de velocidad constante
La función de control de velocidad brinda la velocidad de rotación constante independientemente de las condiciones de carga.
- Inicio suave
La función de inicio suave minimiza el impacto durante el arranque para que la herramienta se inicie sin sobresaltos.

Ajuste de la profundidad de corte

Para ajustar la profundidad de corte, abra la palanca de bloqueo y mueva la base de la herramienta hacia arriba o hacia abajo girando el tornillo de ajuste. Después del ajuste, cierre la palanca de bloqueo con firmeza.

► **Fig.5:** 1. Palanca de bloqueo 2. Tornillo de ajuste

AVISO: Si la herramienta no queda asegurada después de cerrar la palanca de bloqueo, apriete la tuerca hexagonal y luego cierre la palanca de bloqueo.

► **Fig.6:** 1. Tuerca hexagonal

Ajuste de la profundidad de corte con la base de inmersión

Accesorio opcional

1. Coloque la herramienta sobre la superficie plana.
2. Seleccione el tornillo de tope girando la base de tope.

► **Fig.7:** 1. Tornillo de tope 2. Base de tope

3. Afloje la tuerca de fijación de la vara de tope y luego tire de la vara de tope hacia arriba mientras presiona el botón de avance.

► **Fig.8:** 1. Vara de tope 2. Tuerca de fijación 3. Botón de avance

4. Empuje la herramienta hacia abajo hasta que la punta de la fresa toque la superficie plana. Luego, gire la palanca de fijación para asegurar la herramienta.

► **Fig.9:** 1. Palanca de fijación 2. Fresa

5. Presione la vara de tope hacia abajo mientras presiona el botón de avance hasta que entre en contacto con el tornillo de tope.

► **Fig.10:** 1. Vara de tope 2. Tornillo de tope 3. Botón de avance

6. Deslice el indicador de profundidad para que dicho indicador muestre "0" en la escala.

► **Fig.11:** 1. Indicador de profundidad

7. Ajuste la profundidad de corte tirando de la vara de tope hacia arriba mientras presiona el botón de avance.

► **Fig.12:** 1. Vara de tope 2. Botón de avance

8. Para ajustar la profundidad de corte con más precisión, gire el dial de la vara de tope para que indique "0".

► **Fig.13:** 1. Dial

9. Gire la cabeza de la vara de tope hasta llegar a la profundidad deseada. Para aumentar la profundidad, gire la cabeza hacia la izquierda. Para disminuir la profundidad, gire la cabeza hacia la derecha.

► **Fig.14:** 1. Cabeza de la vara de tope

10. Apriete la tuerca de fijación de la vara de tope.

► **Fig.15:** 1. Tuerca de fijación

11. Suelte la palanca de fijación.

► **Fig.16:** 1. Palanca de fijación

MONTAJE

PRECAUCIÓN: Asegúrese siempre de que la herramienta está apagada y el cartucho de batería retirado antes de realizar cualquier trabajo en la herramienta.

Instalación o desmontaje de la fresa

AVISO: No apriete la tuerca de casquillo sin insertar la fresa. El casquillo cónico podría romperse.

Inserte la fresa a fondo en el casquillo cónico. Presione el bloqueador del eje y apriete la tuerca de casquillo con la llave, o apriete la tuerca de casquillo firmemente con las dos llaves. Para retirar la fresa, siga el procedimiento de instalación a la inversa.

► **Fig.17:** 1. Bloqueador del eje 2. Aflojar 3. Apretar 4. Llave 5. Tuerca de casquillo

► **Fig.18:** 1. Llave 2. Aflojar 3. Apretar 4. Tuerca de casquillo

NOTA: Es posible que el bloqueador del eje no regrese a la posición original cuando apriete la tuerca de casquillo al instalar la fresa. El bloqueador del eje regresa a la posición original cuando se pone en marcha la herramienta.

► **Fig.19:** 1. Bloqueador del eje

Instalación o desmontaje de la base de recorte

1. Abra la palanca de bloqueo que está en la base de recorte. Luego, inserte la herramienta en la base de recorte alineando la ranura de la herramienta con la protuberancia de la base de recorte.

► **Fig.20:** 1. Palanca de bloqueo

2. Cierre la palanca de bloqueo.

3. Coloque la boquilla para polvo en la base de recorte y apriete el tornillo moleteado.

► **Fig.21:** 1. Boquilla para polvo 2. Tornillo moleteado

► **Fig.22**

Para retirar la base, siga el procedimiento de instalación a la inversa.

PRECAUCIÓN: Cuando utilice la herramienta con la base de recorte, asegúrese de instalar la boquilla para polvo en la base de recorte.

Instalación o desmontaje de la base de inclinación

Accesorio opcional

1. Abra la palanca de bloqueo que está en la base de inclinación. Luego, inserte la herramienta en la base de inclinación alineando la ranura de la herramienta con la protuberancia de la base de inclinación.

► **Fig.23:** 1. Palanca de bloqueo

2. Cierre la palanca de bloqueo.

Para retirar la base, siga el procedimiento de instalación a la inversa.

Instalación o desmontaje de la base de compensación

Accesorio opcional

1. Presione el bloqueador del eje y luego afloje la tuerca de casquillo.

► **Fig.24:** 1. Tuerca de casquillo 2. Bloqueador del eje 3. Llave

2. Retire la tuerca de casquillo y el casquillo cónico.

► **Fig.25:** 1. Tuerca de casquillo 2. Casquillo cónico

3. Instale la polea en la herramienta presionando el bloqueador del eje y apretando la polea con la llave.

► **Fig.26:** 1. Llave 2. Polea 3. Bloqueador del eje

4. Afloje los tornillos de la placa de base y luego retire la placa de base.

► **Fig.27:** 1. Placa de base

5. Abra la palanca de bloqueo que está en la base de compensación. Luego, inserte la herramienta en la base de compensación.

► **Fig.28:** 1. Palanca de bloqueo

6. Monte la correa en la polea girando la correa manualmente.

► **Fig.29:** 1. Polea 2. Correa

7. Cierre la palanca de bloqueo.

► **Fig.30:** 1. Palanca de bloqueo

8. Coloque la placa de base apretando los tornillos.

► **Fig.31:** 1. Placa de base

9. Inserte el casquillo cónico y la fresa en la base de compensación. Luego, apriete la tuerca de casquillo.

► **Fig.32:** 1. Fresa 2. Tuerca de casquillo 3. Casquillo cónico

10. Inserte la llave hexagonal en el agujero de la base de compensación y luego apriete la tuerca de casquillo con la llave.

► **Fig.33:** 1. Tuerca de casquillo 2. Llave 3. Llave hexagonal

Para retirar la base, siga el procedimiento de instalación a la inversa.

NOTA: También puede montar la correa en la polea sin retirar la placa de base, como se muestra en la figura.

► **Fig.34:** 1. Polea 2. Correa

Instalación o desmontaje de la base de inmersión

Accesorio opcional

1. Abra la palanca de bloqueo que está en la base de inmersión. Luego, inserte la herramienta en la base de inmersión a fondo alineando la ranura de la herramienta con la protuberancia de la base de inmersión.

► **Fig.35:** 1. Palanca de bloqueo

2. Cierre la palanca de bloqueo.

Para retirar la base, siga el procedimiento de instalación a la inversa.

Instalación o desmontaje de la regla paralela en la base de inmersión

Accesorio opcional

Inserte las barras guía en los agujeros de la base de inmersión y luego apriete los pernos de mariposa. Para retirar la regla, siga el procedimiento de instalación a la inversa.

► **Fig.36:** 1. Perno de mariposa 2. Barra guía

Instalación o desmontaje de la boquilla para polvo en la base de inmersión

Inserte la boquilla para polvo en la base de inmersión de manera que la protuberancia de la boquilla para polvo encaje en el corte de la base de inmersión. Luego, apriete el tornillo moleteado de la boquilla para polvo. Para retirar la boquilla, siga el procedimiento de instalación a la inversa.

► **Fig.37:** 1. Protuberancia 2. Boquilla para polvo 3. Tornillo moleteado

► **Fig.38**

OPERACIÓN

Utilización de la herramienta con la base de recorte

Coloque la base de la herramienta sobre la pieza de trabajo sin que la fresa haga contacto alguno. Encienda la herramienta y espere hasta que la fresa adquiera plena velocidad. Mueva la herramienta hacia adelante sobre la superficie de la pieza de trabajo. Mantenga la base de la herramienta a ras mientras mueve la herramienta.

Cuando corte el borde, la superficie de la pieza de trabajo deberá estar en el costado izquierdo de la fresa en la dirección de avance.

► **Fig.39**

NOTA: Antes de cortar la pieza de trabajo definitiva, se recomienda hacer un corte de prueba. La velocidad de avance adecuada dependerá del tamaño de la fresa, el tipo de pieza de trabajo y la profundidad de corte. Mover la herramienta hacia adelante demasiado rápido puede ocasionar una mala calidad de corte, o daño a la fresa o el motor. Mover la herramienta hacia adelante muy despacio puede quemar y estropear la superficie de corte.

Cuando utilice la zapata de la recortadora, la guía recta o la guía de recorte, asegúrese de mantenerla en el lado derecho en la dirección de avance. Esto ayudará a mantenerla a ras con el costado de la pieza de trabajo.

► **Fig.40:** 1. Fresa 2. Pieza de trabajo 3. Guía recta

AVISO: Dado que un corte excesivo puede ocasionar sobrecarga al motor o dificultad para controlar la herramienta, la profundidad de corte no deberá ser de más de 3 mm por pasada cuando se hacen ranuras. Cuando quiera hacer ranuras de más de 3 mm de profundidad, haga varias pasadas con ajustes de fresa progresivamente más profundos.

Utilización de la guía recta

Accesorio opcional

1. Ensamble la guía recta con el perno y la tuerca de mariposa.

► **Fig.41:** 1. Perno 2. Tuerca de mariposa

2. Coloque la guía recta en la base de recorte con el tornillo de fijación.

► **Fig.42:** 1. Tornillo de fijación

3. Afloje la tuerca de mariposa de la guía recta y ajuste la distancia entre la fresa y la guía recta. En la distancia deseada, apriete la tuerca de mariposa.

► **Fig.43:** 1. Tuerca de mariposa

4. Mueva la herramienta con la guía recta a ras con el costado de la pieza de trabajo.

► **Fig.44**

Si la distancia (A) entre el costado de la pieza de trabajo y la posición de corte es muy ancha para la guía recta, o si el costado de la pieza de trabajo no es recto, la guía recta no se puede utilizar.

En este caso, amordace firmemente un listón recto en la pieza de trabajo y utilícelo como guía contra la base de recorte. Avance la herramienta en la dirección de la flecha.

► **Fig.45**

Utilización de la guía recta para trabajos circulares

Para los trabajos circulares, ensamble la guía recta como se muestra en las figuras. Los radios mínimo y máximo de los círculos que se van a cortar (distancia entre el centro del círculo y el centro de la fresa) son los siguientes:

- Mínimo: 70 mm
- Máximo: 221 mm

Para cortar círculos de entre 70 mm y 121 mm de radio

► **Fig.46:** 1. Agujero del centro

Para cortar círculos de entre 121 mm y 221 mm de radio

► **Fig.47:** 1. Agujero del centro

NOTA: Los círculos de entre 172 mm y 186 mm de radio no se pueden cortar utilizando esta guía.

Alinee el agujero del centro de la guía recta con el centro del círculo que se va a cortar. Clave un clavo de menos de 6 mm de diámetro en el agujero del centro para sujetar la guía recta. Pivote la herramienta alrededor del clavo en dirección hacia la derecha.

► **Fig.48:** 1. Clavo 2. Agujero del centro

Utilización de la guía de plantilla

Accesorio opcional

La guía de plantilla permite hacer un corte repetitivo con patrones de plantillas utilizando una plantilla.

1. Afloje los tornillos de la placa de base y luego retire la placa de base de la base de recorte.

2. Ponga la guía de plantilla en la base y luego coloque la placa de base apretando los tornillos.

► **Fig.49:** 1. Placa de base 2. Guía de plantilla

3. Ponga la herramienta sobre la plantilla y mueva la herramienta con la guía de plantilla deslizándose a lo largo del costado de la plantilla.

► **Fig.50**

NOTA: El tamaño real del corte en la pieza de trabajo es ligeramente diferente del de la plantilla. La diferencia es la distancia (X) entre la fresa y el exterior de la guía de plantilla. La distancia (X) se puede calcular utilizando la ecuación siguiente:

Distancia (X) = (diámetro exterior de la guía de plantilla - diámetro de la fresa) / 2

► **Fig.51:** 1. Fresa 2. Guía de plantilla 3. Distancia (X) 4. Diámetro exterior de la guía de plantilla

Utilización de la guía de recorte

Accesorio opcional

La guía de recorte permite recortar el costado curvo como los enchapados para muebles moviendo el rodillo guía a lo largo del costado de la pieza de trabajo.

► **Fig.52**

1. Afloje el tornillo de fijación e instale la guía de recorte en la base de recorte. Luego, apriete el tornillo de fijación.

► **Fig.53:** 1. Tornillo de fijación

2. Afloje el tornillo de fijación y ajuste la distancia entre la fresa y la guía de recorte girando el tornillo de ajuste (1 mm por vuelta). En la distancia deseada, apriete el tornillo de fijación para sujetar la guía de recorte.

► **Fig.54:** 1. Tornillo de ajuste 2. Tornillo de fijación

3. Mueva la herramienta con el rodillo guía rodando por el costado de la pieza de trabajo.

► **Fig.55:** 1. Pieza de trabajo 2. Fresa 3. Rodillo guía

Utilización de la herramienta con la base de inclinación

La base de inclinación es útil para el chaflanado. Afloje los tornillos de mariposa e incline la herramienta en el ángulo deseado. Luego, apriete los tornillos de mariposa.

Amordace firmemente un listón recto en la pieza de trabajo y utilícelo como guía contra la base de inclinación. Avance la herramienta en la dirección de la flecha.

► **Fig.56:** 1. Tornillo de mariposa

Utilización de la placa de base de inclinación con la base de recorte

Para utilizar la base de recorte con una placa de base cuadrada, retire la placa de base de la base de inclinación y, luego, colóquela en la base de recorte.

► **Fig.57:** 1. Placa de base de inclinación 2. Placa de base de recorte

Utilización de la herramienta con la base de compensación

La base de compensación es útil para trabajar en zonas estrechas, como las esquinas.

► **Fig.58**

Utilización de la base de recorte con la placa de base de compensación y el agarre

La placa de base de compensación también se puede utilizar con una base de recorte y un accesorio de agarre (accesorio opcional) para una mayor estabilidad.

1. Afloje los tornillos de la placa de base y retire la placa de base de la base de compensación.

► **Fig.59:** 1. Placa de base de compensación 2. Placa de base de recorte

2. Coloque la placa de base de compensación en la base de recorte apretando los tornillos.

3. Coloque el accesorio de agarre y el agarre tipo barra en la placa de base de compensación apretando los tornillos.

► **Fig.60:** 1. Agarre tipo barra 2. Accesorio de agarre

El agarre tipo perilla que se retiró de la base de inmersión se puede instalar en la base de compensación en lugar del agarre tipo barra.

► **Fig.61:** 1. Tornillo 2. Agarre tipo perilla

Utilización de la herramienta con la base de inmersión

Sujete siempre los agarres firmemente con ambas manos durante la operación. Utilice la herramienta de la misma manera que la base de recorte.

Utilización de la guía recta

Accesorio opcional

1. Instale la guía recta en el soporte de guía apretando la tuerca de mariposa. Inserte el soporte de guía en los agujeros de la base de inmersión y apriete los pernos de mariposa.

► **Fig.62:** 1. Perno de mariposa 2. Soporte de guía 3. Tuerca de mariposa 4. Guía recta

2. Afloje la tuerca de mariposa de la guía recta y ajuste la distancia entre la fresa y la guía recta. En la distancia deseada, apriete la tuerca de mariposa.

► **Fig.63:** 1. Tuerca de mariposa

3. Utilice la herramienta de la misma manera que la guía recta para la base de recorte.

► **Fig.64**

Utilización de la guía de plantilla

Accesorio opcional

1. Afloje los tornillos de la base y retírelos. Ponga la guía de plantilla en la base y apriete los tornillos.

► **Fig.65:** 1. Tornillo 2. Guía de plantilla

2. Utilice la herramienta de la misma manera que la guía de plantilla para la base de recorte.

► **Fig.66**

Utilización de la regla paralela

La regla paralela se utiliza de forma efectiva para cortes rectos cuando se achafana o ranura. Ajuste la distancia entre la fresa y la regla paralela. En la distancia deseada, apriete los pernos de mariposa para sujetar la regla paralela. Cuando corte, mueva la herramienta con la regla paralela a ras con el costado de la pieza de trabajo.

► **Fig.67**

Si la distancia (A) entre el costado de la pieza de trabajo y la posición de corte es muy ancha para la regla paralela, o si el costado de la pieza de trabajo no es recto, no se puede utilizar la regla paralela.

En este caso, amordace firmemente un listón recto en la pieza de trabajo y utilícelo como guía contra la base de inmersión. Avance la herramienta en la dirección de la flecha.

► **Fig.68**

Cambio del agarre tipo perilla por el agarre tipo barra

Para instalar el agarre tipo barra en la base de inmersión, afloje el tornillo del agarre tipo perilla y retire el agarre tipo perilla. Luego, instale el agarre tipo barra apretándolo.

► **Fig.69:** 1. Agarre tipo perilla 2. Tornillo 3. Agarre tipo barra

MANTENIMIENTO

⚠PRECAUCIÓN: Asegúrese siempre de que la herramienta está apagada y de que el cartucho de batería está retirado antes de intentar hacer una inspección o mantenimiento.

AVISO: No utilice nunca gasolina, bencina, disolvente, alcohol o similares. Podría producir descoloración, deformación o grietas.

Para mantener la SEGURIDAD y FIABILIDAD del producto, las reparaciones, y cualquier otra tarea de mantenimiento o ajuste deberán ser realizadas en centros de servicio o de fábrica autorizados por Makita, empleando siempre repuestos Makita.

ACCESORIOS OPCIONALES

⚠ PRECAUCIÓN: Estos accesorios o aditamentos están recomendados para su uso con la herramienta Makita especificada en este manual. El uso de cualquier otro accesorio o aditamento puede suponer un riesgo de heridas personales. Utilice el accesorio o aditamento solamente con la finalidad indicada para el mismo.

Si necesita cualquier ayuda para más detalles en relación con estos accesorios, pregunte al centro de servicio Makita local.

- Fresas rectas y de formación de ranuras
- Fresas de formación de bordes
- Fresas de recorte de laminados
- Conjunto de la guía recta
- Conjunto de la guía de recorte
- Conjunto de la base de recorte
- Conjunto de la base de inclinación
- Conjunto de la base de inmersión
- Conjunto de la base de compensación
- Accesorio de agarre
- Guía de plantilla
- Casquillo cónico de 6 mm
- Casquillo cónico de 6,35 mm (1/4")
- Casquillo cónico de 8 mm
- Casquillo cónico de 9,53 mm (3/8")
- Llave 13
- Llave 22
- Batería y cargador genuinos de Makita

NOTA: Algunos elementos de la lista podrán estar incluidos en el paquete de la herramienta como accesorios estándar. Pueden variar de un país a otro.

Fresas

Fresa recta

► Fig.70

	D	A	L1	L2
20	6	20	50	15
20E	1/4"			
8	8	8	60	25
8	6		50	18
8E	1/4"			
6	6	6	50	18
6E	1/4"			

Unidad: mm

Fresa en "U"

► Fig.71

	D	A	L1	L2	R
6	6	6	50	18	3
6E	1/4"				

Unidad: mm

Fresa en "V"

► Fig.72

D	A	L1	L2	θ
1/4"	20	50	15	90°

Unidad: mm

Fresa de recorte a ras con punta de broca

► Fig.73

	D	A	L1	L2	L3
8	8	8	60	20	35
6	6			18	28
6E	1/4"				

Unidad: mm

Fresa de recorte a ras doble con punta de broca

► Fig.74

	D	A	L1	L2	L3	L4					
8	8	8	80	95	20	25					
6	6						6	70	40	12	14
6E	1/4"										

Unidad: mm

Fresa de redondeado de esquinas

► Fig.75

	D	A1	A2	L1	L2	L3	R
8R	6	25	9	48	13	5	8
8RE	1/4"						
4R	6	20	8	45	10	4	4
4RE	1/4"						

Unidad: mm

Fresa de chaflanado

► Fig.76

D	A	L1	L2	L3	θ
6	23	46	11	6	30°
6	20	50	13	5	45°
6	20	49	14	2	60°

Unidad: mm

Fresa de moldura redonda de media caña

► Fig.77

D	A	L1	L2	R
6	20	43	8	4
6	25	48	13	8

Unidad: mm

Fresa de recorte a ras con rodamiento**► Fig.78**

D	A	L1	L2
6	10	50	20
1/4"			

Unidad: mm

Fresa de redondeado de esquinas con rodamiento**► Fig.79**

D	A1	A2	L1	L2	L3	R
6	15	8	37	7	3,5	3
6	21		40	10		6
1/4"						

Unidad: mm

Fresa de chaflanado con rodamiento**► Fig.80**

D	A1	A2	L1	L2	θ
6	26	8	42	12	45°
1/4"					
6	20		41	11	60°

Unidad: mm

Fresa de moldura redonda con rodamiento**► Fig.81**

D	A1	A2	A3	L1	L2	L3	R
6	20	12	8	40	10	5,5	4
6	26			42	12	4,5	7

Unidad: mm

Fresa de moldura redonda de media caña con rodamiento**► Fig.82**

D	A1	A2	A3	A4	L1	L2	L3	R
6	20	18	12	8	40	10	5,5	3
6	26	22			42	12	5	5

Unidad: mm

Fresa de gola romana con rodamiento**► Fig.83**

D	A1	A2	L1	L2	L3	R1	R2
6	20	8	40	10	4,5	2,5	4,5
6	26		42	12		3	6

Unidad: mm

ESPECIFICAÇÕES

Modelo:	DRT50
Capacidade da pinça de aperto	6 mm, 8 mm, 1/4" ou 3/8"
Velocidade sem carga	10.000 - 30.000 min ⁻¹
Comprimento geral	226 mm
Tensão nominal	CC 18 V
Bateria padrão	BL1815N / BL1820 / BL1820B / BL1830 / BL1830B / BL1840 / BL1840B / BL1850 / BL1850B / BL1860B
Peso líquido	1,8 - 2,1 kg

- Devido a um programa contínuo de pesquisa e desenvolvimento, estas especificações estão sujeitas a alteração sem aviso prévio.
- As especificações e a bateria podem variar de país para país.
- O peso poderá diferir em função do acessório(s), incluindo a bateria. A combinação mais leve e mais pesada, de acordo com o Procedimento EPTA 01/2014, é apresentada na tabela.

Utilização a que se destina

A ferramenta é utilizada para rebarbamento à face e para perfilar madeira, plástico e materiais semelhantes.

Ruído

A característica do nível de ruído A determinado de acordo com a EN60745:

Nível de pressão acústica (L_{pA}): 78 dB (A)

Variabilidade (K): 3 dB (A)

AVISO: Utilize protetores auriculares.

Vibração

Valor total da vibração (soma vetorial tri-axial) determinado de acordo com a EN60745:

Modo de trabalho: rotação sem carga

Emissão de vibração (a_h): 2,5 m/s² ou menos

Variabilidade (K): 1,5 m/s²

Modo de trabalho: cortar ranhuras em MDF

Emissão de vibração (a_h): 4,5 m/s²

Variabilidade (K): 1,5 m/s²

NOTA: O valor da emissão de vibração indicado foi medido de acordo com o método de teste padrão e pode ser utilizado para comparar duas ferramentas.

NOTA: O valor da emissão de vibração indicado pode também ser utilizado na avaliação preliminar da exposição.

AVISO: A emissão de vibração durante a utilização real da ferramenta elétrica pode diferir do valor de emissão indicado, dependendo das formas como a ferramenta é utilizada.

AVISO: Certifique-se de identificar as medidas de segurança para proteção do operador que sejam baseadas em uma estimativa de exposição em condições reais de utilização (considerando todas as partes do ciclo de operação, tal como quando a ferramenta está desligada e quando está a funcionar em marcha lenta além do tempo de acionamento).

Declaração de conformidade da CE

Apenas para os países europeus

A declaração de conformidade da CE está incluída como Anexo A neste manual de instruções.

AVISOS DE SEGURANÇA

Avisos gerais de segurança para ferramentas elétricas

AVISO: Leia todos os avisos de segurança, instruções, ilustrações e especificações fornecidos com esta ferramenta elétrica. O não cumprimento de todas as instruções indicadas em baixo pode resultar em choque elétrico, incêndio e/ou ferimentos graves.

Guarde todos os avisos e instruções para futuras referências.

O termo "ferramenta elétrica" nos avisos refere-se às ferramentas elétricas ligadas à corrente elétrica (com cabo) ou às ferramentas elétricas operadas por meio de bateria (sem cabo).

Avisos de segurança da tupa à bateria

1. **Segure a ferramenta elétrica pelas superfícies de aderência isoladas, porque a cortadora pode entrar em contacto com fios ocultos.** Cortar um fio com corrente pode passar corrente para as partes metálicas expostas da ferramenta elétrica e provocar um choque elétrico no operador.
2. **Utilize braçadeiras ou outra forma prática de fixar e suportar a peça de trabalho numa plataforma estável.** Segurar o trabalho com a mão ou contra o corpo deixa-o instável e pode levar a perda de controlo.
3. **Use proteções auriculares durante períodos alargados de operação.**

4. Manuseie as cabeças da tupa com muito cuidado.
5. Verifique a cabeça da tupa cuidadosamente para ver se tem rachas ou danos antes da operação. Substitua imediatamente as cabeças rachadas ou danificadas.
6. Evite cortar pregos. Inspeccione e remova todos os pregos da peça de trabalho antes da operação.
7. Segure a ferramenta com firmeza.
8. Mantenha as mãos afastadas das peças rotativas.
9. Certifique-se de que a cabeça da tupa não está em contacto com a peça de trabalho antes de ligar o interruptor.
10. Antes de utilizar a ferramenta numa peça de trabalho real, deixe-a funcionar durante algum tempo. Verifique se sente vibrações ou flutuações que possam indicar uma cabeça mal instalada.
11. Tenha cuidado com a direção de rotação da cabeça da tupa e com a direção de alimentação.
12. Não deixe a ferramenta a funcionar. Opere a ferramenta apenas quando a tem na mão.
13. Desligue sempre a ferramenta e espere que a cabeça da tupa pare completamente antes de remover a ferramenta da peça de trabalho.
14. Não toque na cabeça da tupa imediatamente a seguir à operação. Pode estar extremamente quente e provocar queimaduras na sua pele.
15. Não espalhe diluente, gasolina, óleo ou outro produto semelhante descuidadamente na base da ferramenta. Estes produtos podem provocar rachas na base da ferramenta.
16. Utilize cabeças da tupa com as hastas corretas de diâmetro adequado à velocidade da ferramenta.
17. Alguns materiais contêm produtos químicos que podem ser tóxicos. Tome cuidado para evitar a inalação de poeiras e o contacto com a pele. Siga os dados de segurança do fornecedor do material.
18. Utilize sempre a máscara/respirador contra poeira adequado ao material e à aplicação com que está a trabalhar.
4. Se entrar eletrólito nos seus olhos, lave-os com água e consulte imediatamente um médico. Pode resultar em perda de visão.
5. Não coloque a bateria em curto-circuito:
 - (1) Não toque nos terminais com qualquer material condutor.
 - (2) Evite guardar a bateria juntamente com outros objetos metálicos tais como pregos, moedas, etc.
 - (3) Não exponha a bateria à água ou chuva. Um curto-circuito pode ocasionar um enorme fluxo de corrente, sobreaquecimento, possíveis queimaduras e mesmo estragar-se.
6. Não guarde a ferramenta e a bateria em locais onde a temperatura pode atingir ou exceder 50°C.
7. Não queime a bateria mesmo que esteja estragada ou completamente gasta. A bateria pode explodir no fogo.
8. Tenha cuidado para não deixar cair ou dar pancadas na bateria.
9. Não utilize uma bateria danificada.
10. As baterias de íões de lítio contidas na ferramenta são sujeitas aos requisitos da DGL (Dangerous Goods Legislation - Legislação de bens perigosos).
Para o transporte comercial, por exemplo, por terceiros ou agentes de expedição, têm de ser observados os requisitos referentes à embalagem e etiquetagem.
Para preparação do artigo a ser expedido, é necessário consultar um perito em materiais perigosos. Tenha ainda em conta a possibilidade de existirem regulamentos nacionais mais detalhados.
Coloque fita-cola ou tape os contactos abertos e embale a bateria de tal forma que não possa mover-se dentro da embalagem.
11. Siga os regulamentos locais relacionados com a eliminação de baterias.

GUARDE ESTAS INSTRUÇÕES.

AVISO: NÃO permita que o conforto ou familiaridade com o produto (adquirido com o uso repetido) substitua o cumprimento estrito das regras de segurança da ferramenta. A MÁ INTERPRETAÇÃO ou o não seguimento das regras de segurança estabelecidas neste manual de instruções pode provocar ferimentos pessoais graves.

Instruções de segurança importantes para a bateria

1. Antes de utilizar a bateria, leia todas as instruções e etiquetas de precaução no (1) carregador de bateria (2) bateria e (3) produto que utiliza a bateria.
2. Não abra a bateria.
3. Se o tempo de funcionamento se tornar excessivamente curto, pare o funcionamento imediatamente. Pode resultar em sobreaquecimento, possíveis queimaduras e mesmo explosão.

GUARDE ESTAS INSTRUÇÕES.

PRECAUÇÃO: Utilize apenas baterias genuínas da Makita. A utilização de baterias não genuínas da Makita ou de baterias que foram alteradas, pode resultar no rebentamento da bateria provocando incêndios, ferimentos pessoais e danos. Além disso, anulará da garantia da Makita no que se refere à ferramenta e ao carregador Makita.

Conselhos para manter a máxima vida útil da bateria

1. Carregue a bateria antes que esteja completamente descarregada. Pare sempre o funcionamento da ferramenta e carregue a bateria quando notar menos poder na ferramenta.
2. Nunca carregue uma bateria completamente carregada. Carregamento excessivo diminui a vida útil da bateria.
3. Carregue a bateria à temperatura ambiente de 10°C – 40°C. Deixe que uma bateria quente arrefeça antes de a carregar.
4. Carregue a bateria se não a utilizar durante um longo período de tempo (mais de seis meses).

DESCRIÇÃO FUNCIONAL

⚠️ PRECAUÇÃO: Certifique-se sempre de que a ferramenta está desligada e a bateria foi retirada antes de regular ou verificar qualquer função na ferramenta.

Instalação ou remoção da bateria

⚠️ PRECAUÇÃO: Desligue sempre a ferramenta antes de colocar ou retirar a bateria.

⚠️ PRECAUÇÃO: Segure firmemente a ferramenta e a bateria quando instalar ou remover a bateria. Se não segurar firmemente a ferramenta e a bateria pode fazer com que escorreguem das suas mãos resultando em danos na ferramenta e na bateria e ferimentos pessoais.

► **Fig.1:** 1. Indicador vermelho 2. Botão 3. Bateria

Para retirar a bateria, deslize-a para fora da ferramenta enquanto desliza o botão na frente da bateria.

Para instalar a bateria, alinhe a lingueta da bateria com a ranhura no compartimento e deslize-a no lugar. Empurre-a até o fim para que a mesma encaixe no lugar com um clique. Se puder ver a parte vermelha no lado superior do botão, significa que não está completamente bloqueada.

⚠️ PRECAUÇÃO: Instale sempre a bateria até ao fim, até deixar de ver o indicador vermelho. Caso contrário, a bateria poderá cair da ferramenta acidentalmente e provocar ferimentos em si mesmo ou em alguém próximo.















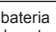

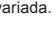
⚠️ PRECAUÇÃO: Não instale a bateria à força. Se a bateria não deslizar facilmente é porque não foi colocada corretamente.

Indicação da capacidade restante da bateria

Apenas para baterias com indicador

► **Fig.2:** 1. Luzes indicadoras 2. Botão de verificação

Prima o botão de verificação na bateria para indicar a capacidade restante da bateria. As luzes indicadoras acendem durante alguns segundos.

Luzes indicadoras			Capacidade restante
 Aceso	 Apagado	 A piscar	
			75% a 100%
			50% a 75%
			25% a 50%
			0% a 25%
			Carregar a bateria.
			A bateria pode estar avariada.
			

NOTA: Dependendo das condições de utilização e da temperatura ambiente, a indicação pode ser ligeiramente diferente da capacidade real.

Sistema de proteção da ferramenta/bateria

A ferramenta está equipada com um sistema de proteção da ferramenta/bateria. Este sistema corta automaticamente a corrente para o motor para aumentar a vida da ferramenta e da bateria. A ferramenta para automaticamente durante o funcionamento se a ferramenta ou bateria for colocada mediante uma das seguintes condições:

Proteção contra sobrecarga

Quando a bateria é operada de forma a puxar uma corrente anormalmente elevada, a ferramenta para automaticamente sem qualquer indicação. Nesse caso, desligue a ferramenta e pare a operação que provocou a sobrecarga da ferramenta. Em seguida, volte a ligar a ferramenta para a reiniciar.

Proteção contra sobreaquecimento

Quando a ferramenta ou a bateria estiver sobreaquecida, a ferramenta para automaticamente e a lâmpada pisca. Neste caso, deixe a ferramenta e a bateria arrefecerem antes de ligar novamente a ferramenta.

Proteção contra descarga excessiva

Quando a capacidade da bateria não é suficiente, a ferramenta para automaticamente. Neste caso, retire a bateria da ferramenta e carregue-a.

Ação do interruptor

Para ligar a ferramenta, pressione o botão bloquear/desbloquear. A ferramenta muda para o modo de espera. Para pôr a ferramenta a funcionar, pressione o botão iniciar/parar no modo de espera. Para parar a ferramenta, pressione novamente o botão iniciar/parar. A ferramenta muda para o modo de espera. Para desligar a ferramenta, pressione o botão bloquear/desbloquear no modo de espera.

► **Fig.3:** 1. Botão bloquear/desbloquear 2. Botão iniciar/parar

NOTA: Se a ferramenta for deixada no modo de espera durante 10 segundos sem realizar qualquer operação, esta desliga automaticamente e a lâmpada apaga.

NOTA: Também pode parar e desligar a ferramenta ao pressionar o botão bloquear/desbloquear enquanto a ferramenta estiver a funcionar.

Acender a lâmpada da frente

⚠️ PRECAUÇÃO: Não olhe para a luz ou para a fonte de iluminação diretamente.

Para ligar a lâmpada, pressione o botão bloquear/desbloquear. Para desligar a lâmpada, pressione novamente o botão bloquear/desbloquear.

OBSERVAÇÃO: Quando a ferramenta estiver sobreaquecida, a lâmpada fica intermitente. Arrefeça a ferramenta completamente antes de operá-la novamente.

NOTA: Utilize um pano seco para limpar a sujidade da lente da lâmpada. Tenha cuidado para não riscar a lente da lâmpada ou a iluminação pode ficar enfraquecida.

Indicador de ajuste da velocidade

A velocidade de rotação da ferramenta pode ser alterada ao rodar o indicador de ajuste da velocidade. A tabela seguinte mostra o número no indicador e a velocidade de rotação correspondente.

► **Fig.4:** 1. Indicador de ajuste da velocidade

Número	Velocidade
1	10.000 min ⁻¹
2	15.000 min ⁻¹
3	20.000 min ⁻¹
4	25.000 min ⁻¹
5	30.000 min ⁻¹

OBSERVAÇÃO: Se a ferramenta for operada continuamente a velocidade baixa durante um período prolongado, o motor fica sobrecarregado resultando na avaria da ferramenta.

OBSERVAÇÃO: Quando mudar o indicador de velocidade de “5” para “1”, rode o indicador para a esquerda. Não rode o indicador à força para a direita.

Função eletrónica

A ferramenta está equipada com as funções eletrónicas para fácil operação.

- **Controlo constante da velocidade**
A função de controlo da velocidade assegura a velocidade constante da rotação independentemente das condições de carga.
- **Arranque suave**
A função de arranque suave minimiza o choque do arranque e torna o arranque da ferramenta suave.

Ajustar a profundidade de corte

Para ajustar a profundidade de corte, abra a alavanca de bloqueio e, de seguida, mova a base da ferramenta para cima ou para baixo rodando o parafuso de ajuste. Após o ajuste, feche a alavanca de bloqueio firmemente.

► **Fig.5:** 1. Alavanca de bloqueio 2. Parafuso de ajuste

OBSERVAÇÃO: Se a ferramenta não estiver apertada após fechar a alavanca de bloqueio, aperte a porta hexagonal e, de seguida, feche a alavanca de bloqueio.

► **Fig.6:** 1. Porca hexagonal

Ajustar a profundidade de corte com uma base de penetração

Acessório opcional

1. Coloque a ferramenta na superfície plana.
2. Selecione o parafuso de retenção rodando a base da tampa.
► **Fig.7:** 1. Parafuso de retenção 2. Base da tampa
3. Solte a porca de fixação do pólo da tampa e, de seguida, puxe o pólo da tampa para cima enquanto pressiona o botão de alimentação.
► **Fig.8:** 1. Pólo da tampa 2. Porca de fixação 3. Botão de alimentação
4. Empurre a ferramenta para baixo até a ponta da cabeça da tupa tocar na superfície plana e, de seguida, rode a alavanca de fixação para apertar a ferramenta.
► **Fig.9:** 1. Alavanca de fixação 2. Cabeça da tupa
5. Pressione o pólo da tampa para baixo enquanto pressiona o botão de alimentação até tocar no parafuso de retenção.
► **Fig.10:** 1. Pólo da tampa 2. Parafuso de retenção 3. Botão de alimentação
6. Deslize o ponteiro de profundidade de modo a que o ponteiro indique “0” na régua.
► **Fig.11:** 1. Ponteiro de profundidade
7. Ajuste a profundidade de corte puxando o pólo da tampa para cima enquanto pressiona o botão de alimentação.
► **Fig.12:** 1. Pólo da tampa 2. Botão de alimentação
8. Para realizar o ajuste preciso da profundidade de corte, rode o indicador no pólo da tampa de modo a indicar “0”.
► **Fig.13:** 1. Indicador
9. Rode a cabeça do pólo da tampa para obter a profundidade desejada. Para aumentar a profundidade, rode a cabeça para a esquerda. Para diminuir a profundidade, rode a cabeça para a direita.
► **Fig.14:** 1. Cabeça do pólo da tampa
10. Aperte a porca de fixação do pólo da tampa.
► **Fig.15:** 1. Porca de fixação
11. Solte a alavanca de fixação.
► **Fig.16:** 1. Alavanca de fixação

MONTAGEM

PRECAUÇÃO: Certifique-se sempre de que a ferramenta está desligada e a bateria retirada antes de executar qualquer trabalho na ferramenta.

Instalar ou remover a cabeça da tupa

OBSERVAÇÃO: Não aperte a porca de aperto sem inserir a cabeça. O cone de aperto pode partir.

Insira a cabeça da tupa até ao fim dentro do cone de aperto. Pressione o travamento do eixo e aperte a porca de aperto com a chave ou aperte a porca de aperto em segurança com as duas chaves. Para remover a cabeça, siga o procedimento de instalação pela ordem inversa.

► **Fig.17:** 1. Travamento do eixo 2. Soltar 3. Apertar 4. Chave 5. Porca de aperto

► **Fig.18:** 1. Chave 2. Soltar 3. Apertar 4. Porca de aperto

NOTA: O travamento do eixo pode não retornar à posição inicial quando aperta a porca de aperto no ato da instalação da cabeça da tupa. O travamento do eixo retorna à posição inicial quando efetua o arranque da ferramenta.

► **Fig.19:** 1. Travamento do eixo

Instalar ou remover a base da tupa

1. Abra a alavanca de bloqueio da base da tupa e, de seguida, insira a ferramenta na base da tupa alinhando a ranhura na ferramenta com a protusão na base da tupa.

► **Fig.20:** 1. Alavanca de bloqueio

2. Feche a alavanca de bloqueio.

3. Anexe o bocal do pó à base da tupa e, de seguida, aperte o parafuso de orelhas.

► **Fig.21:** 1. Bocal do pó 2. Parafuso de orelhas

► **Fig.22**

Para remover a base, siga o procedimento de instalação pela ordem inversa.

⚠PRECAUÇÃO: Quando se utiliza a ferramenta com a base da tupa, certifique-se de que instala o bocal do pó na base da tupa.

Instalar ou remover a base de inclinação

Acessório opcional

1. Abra a alavanca de bloqueio da base de inclinação e, de seguida, insira a ferramenta na base de inclinação alinhando a ranhura na ferramenta com a protusão na base de inclinação.

► **Fig.23:** 1. Alavanca de bloqueio

2. Feche a alavanca de bloqueio.

Para remover a base, siga o procedimento de instalação pela ordem inversa.

Instalar ou remover a base de desvio

Acessório opcional

1. Pressione o travamento do eixo e, de seguida, solte a porca de aperto.

► **Fig.24:** 1. Porca de aperto 2. Travamento do eixo 3. Chave

2. Remova a porca de aperto e o cone de aperto.

► **Fig.25:** 1. Porca de aperto 2. Cone de aperto

3. Instale a polia na ferramenta pressionando o travamento do eixo e apertando a polia com a chave.

► **Fig.26:** 1. Chave 2. Polia 3. Travamento do eixo

4. Solte os parafusos na placa base e, de seguida, remova a placa base.

► **Fig.27:** 1. Placa base

5. Abra a alavanca de bloqueio da base de desvio e, de seguida, insira a ferramenta na base de desvio.

► **Fig.28:** 1. Alavanca de bloqueio

6. Monte a correia na polia rodando a correia manualmente.

► **Fig.29:** 1. Polia 2. Correia

7. Feche a alavanca de bloqueio.

► **Fig.30:** 1. Alavanca de bloqueio

8. Anexe a placa base apertando os parafusos.

► **Fig.31:** 1. Placa base

9. Insira o cone de aperto e a cabeça da tupa na base de desvio e, de seguida, aperte a porca de aperto.

► **Fig.32:** 1. Cabeça da tupa 2. Porca de aperto 3. Cone de aperto

10. Insira a chave hexagonal no orifício da base de desvio e, de seguida, aperte a porca de aperto com a chave.

► **Fig.33:** 1. Porca de aperto 2. Chave 3. Chave hexagonal

Para remover a base, siga o procedimento de instalação pela ordem inversa.

NOTA: Pode também montar a correia na polia sem remover a placa base, conforme ilustrado na figura.

► **Fig.34:** 1. Polia 2. Correia

Instalar ou remover a base de penetração

Acessório opcional

1. Abra a alavanca de bloqueio da base de penetração e, de seguida, insira a ferramenta completamente na base de penetração alinhando a ranhura na ferramenta com a protusão na base de penetração.

► **Fig.35:** 1. Alavanca de bloqueio

2. Feche a alavanca de bloqueio.

Para remover a base, siga o procedimento de instalação pela ordem inversa.

Instalar ou remover a régua paralela na base de penetração

Acessório opcional

Insira as barras da guia nos orifícios na base de penetração e, de seguida, aperte os pernos de orelhas. Para remover a régua, siga o procedimento de instalação pela ordem inversa.

► **Fig.36:** 1. Pernos de orelhas 2. Barra da guia

Instalar ou remover o bocal do pó na base de penetração

Insira o bocal do pó na base de penetração, de modo a que a protusão no bocal do pó encaixe no entalhe na base de penetração e, de seguida, aperte o parafuso de orelhas no bocal do pó. Para remover o bocal, siga o procedimento de instalação pela ordem inversa.

► **Fig.37:** 1. Protusão 2. Bocal do pó 3. Parafuso de orelhas

► **Fig.38**

OPERAÇÃO

Utilizar a ferramenta com a base da tupa

Coloque a base da ferramenta na peça de trabalho sem que a cabeça da tupa toque na mesma. Ligue a ferramenta e aguarde até a cabeça atingir a velocidade máxima. Mova a ferramenta para a frente sobre a superfície da peça de trabalho. Mantenha a base da ferramenta à face enquanto move a ferramenta.

Quando cortar a extremidade, assegure que mantém a superfície da peça de trabalho no lado esquerdo da cabeça da tupa na direção de alimentação.

► **Fig.39**

NOTA: Antes de cortar a peça de trabalho efetiva, é aconselhável realizar um corte de amostragem. A velocidade de alimentação adequada depende do tamanho da cabeça da tupa, do tipo de peça de trabalho e da profundidade do corte. Mover a ferramenta para a frente demasiado depressa pode provocar cortes de má qualidade ou danificar a cabeça ou o motor. Mover a ferramenta para a frente devagar demais pode queimar e danificar a superfície de corte.

Quando se utiliza a sapata da tupa, a guia reta ou a guia da tupa, certifique-se de que a mantém no lado direito na direção de alimentação. Isto ajudará a mantê-la à face da parte lateral da peça de trabalho.

► **Fig.40:** 1. Cabeça da tupa 2. Peça de trabalho 3. Guia reta

OBSERVAÇÃO: Uma vez que o corte excessivo pode provocar sobrecarga do motor ou dificuldade em controlar a ferramenta, a profundidade do corte não deve ser superior a 3 mm numa passagem durante o corte de ranhuras. Quando pretende cortar ranhuras com mais de 3 mm de profundidade, realize várias passagens com configurações progressivamente mais fundas da cabeça.

Utilizar a guia reta

Acessório opcional

1. Monte a guia reta com o perno e a porca de orelhas.

► **Fig.41:** 1. Perno 2. Porca de orelhas

2. Anexe a guia reta à base da tupa com o parafuso de fixação.

► **Fig.42:** 1. Parafuso de fixação

3. Solte a porca de orelhas na guia reta e ajuste a distância entre a cabeça e a guia reta. Quando atingir a distância pretendida, aperte a porca de orelhas.

► **Fig.43:** 1. Porca de orelhas

4. Mova a ferramenta com a guia reta à face da parte lateral da peça de trabalho.

► **Fig.44**

Se a distância (A) entre a parte lateral da peça de trabalho e a posição de corte for demasiado ampla para a guia reta ou se a parte lateral da peça de trabalho não for reta, a guia reta não pode ser utilizada.

Neste caso, prenda firmemente uma prancha reta na peça de trabalho e utilize-a como guia contra a base da tupa. Movimente a ferramenta na direção da seta.

► **Fig.45**

Utilizar a guia reta para trabalho circular

Para trabalho circular, monte a guia reta conforme ilustrado nas figuras. Os raios mínimo e máximo dos círculos a cortar (distância entre o centro do círculo e o centro da cabeça) são os seguintes:

- Mínimo: 70 mm
- Máximo: 221 mm

Para cortar círculos entre 70 mm e 121 mm de raio

► **Fig.46:** 1. Orifício central

Para cortar círculos entre 121 mm e 221 mm de raio

► **Fig.47:** 1. Orifício central

NOTA: Não é possível cortar círculos entre 172 mm e 186 mm de raio com esta guia.

Alinhe o orifício central na guia reta com o centro do círculo a cortar. Coloque um prego com menos de 6 mm de diâmetro dentro do orifício central para fixar a guia reta. Gire a ferramenta para a direita em volta do prego.

► **Fig.48:** 1. Pregos 2. Orifício central

Utilizar a guia do molde

Acessório opcional

A guia do molde permite realizar o corte repetitivo com padrões de molde através da utilização de um molde.

1. Solte os parafusos na placa base e, de seguida, remova a placa base da base da tupa.

2. Coloque a guia do molde na base e, de seguida, anexe a placa base apertando os parafusos.

► **Fig.49:** 1. Placa base 2. Guia do molde

3. Coloque a ferramenta no molde e mova-a com a guia do molde a deslizar ao longo da parte lateral do molde.

► **Fig.50**

NOTA: O tamanho de corte efetivo na peça de trabalho é ligeiramente diferente do molde. A diferença é a distância (X) entre a cabeça da tupa e a parte exterior da guia do molde. A distância (X) pode ser calculada utilizando a seguinte equação:

Distância (X) = (diâmetro externo da guia do molde - diâmetro da cabeça da tupa) / 2

► **Fig.51:** 1. Cabeça da tupa 2. Guia do molde 3. Distância (X) 4. Diâmetro externo da guia do molde

Utilizar a guia da tupaia

Acessório opcional

A guia da tupaia permite rebarbar o lado curvo em laminados para peças de mobiliário ao mover o rolo da guia ao longo da parte lateral da peça de trabalho.

► **Fig.52**

1. Solte o parafuso de fixação e, de seguida, instale a guia da tupaia na base da tupaia e, de seguida, aperte o parafuso de fixação.

► **Fig.53:** 1. Parafuso de fixação

2. Solte o parafuso de fixação e ajuste a distância entre a cabeça da tupaia e a guia da tupaia rodando o parafuso de ajuste (1 mm por volta). À distância pretendida, aperte o parafuso de fixação para fixar a guia da tupaia.

► **Fig.54:** 1. Parafuso de ajuste 2. Parafuso de fixação

3. Mova a ferramenta com o rolo da guia a rolar na parte lateral da peça de trabalho.

► **Fig.55:** 1. Peça de trabalho 2. Cabeça 3. Rolo da guia

Utilizar a ferramenta com a base de inclinação

A base de inclinação é conveniente para chanfragem. Solte os parafusos de orelhas e, de seguida, incline a ferramenta no ângulo desejado e, de seguida, aperte os parafusos de orelhas.

Prenda firmemente uma prancha reta na peça de trabalho e utilize-a como guia contra a base de inclinação. Movimente a ferramenta na direção da seta.

► **Fig.56:** 1. Parafuso de orelhas

Utilizar a placa da base de inclinação com a base da tupaia

Para utilizar a base da tupaia com uma placa de base quadrada, remova a placa base da base de inclinação e, de seguida, anexe-a na base da tupaia.

► **Fig.57:** 1. Placa da base de inclinação 2. Placa da base da tupaia

Utilizar a ferramenta com a base de desvio

A base de desvio é conveniente para trabalhos numa área apertada como, por exemplo, uma esquina.

► **Fig.58**

Utilizar a base da tupaia com a placa da base de desvio e a fixação

A placa da base de desvio também pode ser utilizada com uma base da tupaia e um acessório de fixação (acessório opcional) para mais estabilidade.

1. Solte os parafusos na placa base e, de seguida, remova a placa base da base de desvio.

► **Fig.59:** 1. Placa da base de desvio 2. Placa da base da tupaia

2. Anexe a placa da base de desvio à base da tupaia apertando os parafusos.

3. Anexe o acessório de fixação e a fixação tipo barra à placa da base de desvio apertando os parafusos.

► **Fig.60:** 1. Fixação tipo barra 2. Acessório de fixação

A fixação tipo botão removida da base de penetração pode ser instalada na base de desvio em vez da fixação tipo barra.

► **Fig.61:** 1. Parafuso 2. Fixação tipo botão

Utilizar a ferramenta com a base de penetração

Segure sempre as fixações firmemente com as duas mãos durante a operação. Opere a ferramenta na mesma direção que a base da tupaia.

Utilizar a guia reta

Acessório opcional

1. Instale a guia reta no suporte da guia apertando a porca de orelhas. Insira o suporte da guia nos orifícios na base de penetração e, de seguida, aperte os pernos de orelhas.

► **Fig.62:** 1. Pernos de orelhas 2. Suporte da guia 3. Porca de orelhas 4. Guia reta

2. Solte a porca de orelhas na guia reta e ajuste a distância entre a cabeça e a guia reta. Quando atingir a distância pretendida, aperte a porca de orelhas.

► **Fig.63:** 1. Porca de orelhas

3. Opere a ferramenta na mesma direção que a guia reta para a base da tupaia.

► **Fig.64**

Utilizar a guia do molde

Acessório opcional

1. Solte os parafusos na placa base e, remova-os. Coloque a guia do molde na base e, de seguida, aperte os parafusos.

► **Fig.65:** 1. Parafuso 2. Guia do molde

2. Opere a ferramenta na mesma direção que a guia do molde para a base da tupaia.

► **Fig.66**

Utilizar a régua paralela

A régua paralela é utilizada eficazmente para cortes retos durante a chanfragem ou ranhuragem. Ajuste a distância entre a cabeça e a régua paralela. À distância pretendida, aperte os pernos de orelhas para fixar a régua paralela. Quando cortar, mova a ferramenta com a régua paralela à face da parte lateral da peça de trabalho.

► **Fig.67**

Se a distância (A) entre a parte lateral da peça de trabalho e a posição de corte for demasiado ampla para a régua paralela ou se a parte lateral da peça de trabalho não for reta, a régua paralela não pode ser utilizada.

Neste caso, prenda firmemente uma prancha reta na peça de trabalho e utilize-a como guia contra a base da penetração. Movimente a ferramenta na direção da seta.

► **Fig.68**

Mudar a fixação tipo botão para a fixação tipo barra

Para instalar a fixação tipo barra na base de penetração, desaperte o parafuso da fixação tipo botão e, de seguida, remova a fixação tipo botão e instale seguidamente a fixação tipo barra apertando-a.

► **Fig.69:** 1. Fixação tipo botão 2. Parafuso 3. Fixação tipo barra

MANUTENÇÃO

⚠ PRECAUÇÃO: Certifique-se sempre de que a ferramenta se encontra desligada e de que a bateria foi retirada antes de executar qualquer inspeção ou manutenção.

OBSERVAÇÃO: Nunca utilize gasolina, benzina, diluente, álcool ou produtos semelhantes. Pode ocorrer a descoloração, deformação ou rachaduras.

Para manter a SEGURANÇA e a FIABILIDADE do produto, as reparações e qualquer outra manutenção ou ajuste devem ser levados a cabo pelos centros de assistência Makita autorizados ou pelos centros de assistência de fábrica, utilizando sempre peças de substituição Makita.

ACESSÓRIOS OPCIONAIS

⚠ PRECAUÇÃO: Estes acessórios ou peças são recomendados para utilização com a ferramenta Makita especificada neste manual. A utilização de outros acessórios ou peças pode ser perigosa para as pessoas. Utilize apenas acessórios ou peças para os fins indicados.

Se necessitar de informações adicionais relativas a estes acessórios, solicite-as ao seu centro de assistência Makita.

- Cabeças retas e para formação de ranhuras
- Cabeças para formação de cantos
- Cabeças de rebarbamento de laminados
- Conjunto da guia reta
- Conjunto da guia da tupaia
- Conjunto da base da tupaia
- Conjunto da base de inclinação
- Conjunto da base de penetração
- Conjunto da base de desvio
- Acessório de fixação
- Guia do molde
- Cone de aperto 6 mm
- Cone de aperto 6,35 mm (1/4")
- Cone de aperto 8 mm
- Cone de aperto 9,53 mm (3/8")
- Chave 13
- Chave 22
- Bateria e carregador genuínos da Makita

NOTA: Alguns itens da lista podem estar incluídos na embalagem da ferramenta como acessórios padrão. Eles podem variar de país para país.

Cabeças da tupaia

Cabeça reta

► **Fig.70**

	D	A	L1	L2
20	6	20	50	15
20E	1/4"			
8	8	8	60	25
8	6			
8E	1/4"		50	18
6	6	6	50	18
6E	1/4"			

Unidade: mm

Cabeça de ranhuração em U

► **Fig.71**

	D	A	L1	L2	R
6	6	6	50	18	3
6E	1/4"				

Unidade: mm

Cabeça de ranhuração em V

► **Fig.72**

D	A	L1	L2	θ
1/4"	20	50	15	90°

Unidade: mm

Cabeça de rebarbamento à face do ponto de perfuração

► **Fig.73**

	D	A	L1	L2	L3
8	8	8	60	20	35
6	6	6		18	28
6E	1/4"				

Unidade: mm

Cabeça de rebarbamento à face do duplo ponto de perfuração

► **Fig.74**

	D	A	L1	L2	L3	L4
8	8	8	80	95	20	25
6	6	6	70	40	12	14
6E	1/4"					

Unidade: mm

Cabeça para arredondamento de cantos

► Fig.75

	D	A1	A2	L1	L2	L3	R
8R	6	25	9	48	13	5	8
8RE	1/4"						
4R	6	20	8	45	10	4	4
4RE	1/4"						

Unidade: mm

Cabeça de chanfragem

► Fig.76

D	A	L1	L2	L3	θ
6	23	46	11	6	30°
6	20	50	13	5	45°
6	20	49	14	2	60°

Unidade: mm

Cabeça de rebordos de ansa

► Fig.77

D	A	L1	L2	R
6	20	43	8	4
6	25	48	13	8

Unidade: mm

Cabeça de rebarbamento à face com rolamento de esferas

► Fig.78

D	A	L1	L2
6	10	50	20
1/4"			

Unidade: mm

Cabeça de arredondamento de cantos com rolamento de esferas

► Fig.79

D	A1	A2	L1	L2	L3	R
6	15	8	37	7	3,5	3
6	21		40	10		6
1/4"						

Unidade: mm

Cabeça de chanfragem com rolamento de esferas

► Fig.80

D	A1	A2	L1	L2	θ
6	26	8	42	12	45°
1/4"					
6	20		41	11	60°

Unidade: mm

Cabeça de rebordos com rolamento de esferas

► Fig.81

D	A1	A2	A3	L1	L2	L3	R
6	20	12	8	40	10	5,5	4
6	26			42	12	4,5	7

Unidade: mm

Cabeça de rebordos de ansa com rolamento de esferas

► Fig.82

D	A1	A2	A3	A4	L1	L2	L3	R
6	20	18	12	8	40	10	5,5	3
6	26	22			42	12	5	5

Unidade: mm

Cabeça de asa em arco duplo romano com rolamento de esferas

► Fig.83

D	A1	A2	L1	L2	L3	R1	R2
6	20	8	40	10	4,5	2,5	4,5
6	26		42	12		3	6

Unidade: mm

SPECIFIKATIONER

Model:	DRT50
Kapacitet af indsatspatron	6 mm, 8 mm, 1/4" eller 3/8"
Hastighed uden belastning	10.000 - 30.000 min ⁻¹
Samlet længde	226 mm
Mærkespænding	DC 18 V
Standard-akku	BL1815N / BL1820 / BL1820B / BL1830 / BL1830B / BL1840 / BL1840B / BL1850 / BL1850B / BL1860B
Nettovægt	1,8 - 2,1 kg

- På grund af vores kontinuerlige forsknings- og udviklingsprogrammer kan hosstående specifikationer blive ændret uden varsel.
- Specifikationer og akku kan variere fra land til land.
- Vægten kan være anderledes afhængigt af tilbehøret, inklusive akkuen. Den letteste og tungeste kombination i henhold til EPTA-procedure 01/2014 er vist i tabellen.

Tilsigtet anvendelse

Maskinen er beregnet til tilskæring og afdrejning af træ, plastik og lignende materialer.

Lyd

Det typiske A-vægtede støjniveau bestemt i overensstemmelse med EN60745:

Lydtryksniveau (L_{pA}): 78 dB (A)

Usikkerhed (K): 3 dB (A)

⚠ ADVARSEL: Bær høreværn.

Vibration

Vibrationens totalværdi (tre-aksial vektorsum) bestemt i overensstemmelse med EN60745:

Arbejdstilstand: rotation uden belastning

Vibrationsemission (a_h): 2,5 m/s² eller mindre

Usikkerhed (K): 1,5 m/s²

Arbejdstilstand: skæring af riller i MDF

Vibrationsemission (a_h): 4,5 m/s²

Usikkerhed (K): 1,5 m/s²

BEMÆRK: Den angivne vibrationsemissionsværdier blev målt i overensstemmelse med standardtestmetoden og kan anvendes til at sammenligne et værktøj med et andet.

BEMÆRK: Den angivne vibrationsemissionsværdien kan også anvendes i en præliminær eksponeringsvurdering.

⚠ ADVARSEL: Vibrationsemissionen under den faktiske anvendelse af værktøjet kan være forskellig fra den erklærede emissionsværdi, afhængigt af den måde, hvorpå værktøjet anvendes.

⚠ ADVARSEL: Sørg for at identificere de sikkerhedsforskrifter til beskyttelse af operatøren, som er baseret på en vurdering af eksponering under de faktiske brugsforhold (med hensyntagen til alle dele i brugscyklussen, f.eks. de gange, hvor værktøjet er slukket, og når det kører i tomgang i tilgift til afbrydertiden).

EU-overensstemmelseserklæring

Kun for lande i Europa

EU-overensstemmelseserklæringen er inkluderet som Bilag A i denne brugsanvisning.

SIKKERHEDSADVARSLER

Almindelige sikkerhedsregler for el-værktøj

⚠ ADVARSEL: Læs alle de sikkerhedsadvarsler, instruktioner, illustrationer og specifikationer, der følger med denne maskine. Forsømmelse af at overholde alle nedenstående instruktioner kan medføre elektrisk stød, brand og/eller alvorlig personskade.

Gem alle advarsler og instruktioner til fremtidig reference.

Ordet "el-værktøj" i advarslerne henviser til det netforsyede (netledning) el-værktøj eller batteriforsyede (akku) el-værktøj.

Sikkerhedsadvarsler for akku overfræser

1. **Hold maskinen i de isolerede gribeblader, da skæreren kan komme i kontakt med skjulte ledninger.** Hvis der skæres i en strømførende ledning, kan udsatte metaldele på maskinen blive strømførende, hvorved operatøren kan få elektrisk stød.
2. **Brug skruetvinger eller en anden praktisk måde til at fastgøre og understøtte arbejdsemnet til en stabil platform.** Hvis arbejdsemnet holdes i hånden eller mod kroppen, vil det være ustabil, hvilket kan medføre, at du mister kontrollen.

3. Bær høreværn ved længere tids brug.
4. Håndter overfræserbits yderst forsigtigt.
5. Kontroller overfræserbitten omhyggeligt for revner eller beskadigelse før brugen. Udskift øjeblikkeligt en revnet eller beskadiget bit.
6. Undgå at skære i søm. Se efter og fjern alle søm fra arbejdsemnet, før arbejdet påbegyndes.
7. Hold godt fast i maskinen.
8. Hold hænderne på afstand af roterende dele.
9. Sørg for, at overfræserbitten ikke er i kontakt med arbejdsemnet, før der tændes ved kontakten.
10. Lad maskinen køre et stykke tid, før den anvendes på et egentligt arbejdsemne. Se efter vibration eller rysten, der kan tyde på en forkert monteret bit.
11. Vær opmærksom på overfræserbittens rotationsretning og fremføringsretningen.
12. Lad ikke maskinen køre. Brug kun maskinen, når den holdes i hænderne.
13. Sluk altid, og vent, til overfræserbitten er helt stoppet, før maskinen fjernes fra arbejdsemnet.
14. Undlad at berøre overfræserbitten umiddelbart efter brugen. Den kan være meget varm og kan forårsage forbrændinger.
15. Udsæt ikke ved skødesløshed maskinens fod for fortynder, benzin, olie eller lignende. De kan forårsage revner i maskinens fod.
16. Brug overfræserbits med den korrekte akseldiameter, der passer til maskinens hastighed.
17. Nogle materialer indeholder kemikalier, der kan være giftige. Sørg omhyggeligt for at undgå indånding af støv samt kontakt med huden. Følg materialeleverandørens sikkerhedsdata.
18. Anvend altid korrekt støvmaske/ånde-drætsværn til det materiale og anvendelsesformål, du arbejder med.
4. Hvis De har fået elektrolytvæske i øjnene, skal De straks skylle den ud med rent vand og derefter øjeblikkeligt søge lægehjælp. I modsat fald kan De miste synet.
5. Vær påpasselig med ikke at komme til at kortslutte akkuen:
 - (1) Rør ikke ved terminalerne med noget ledende materiale.
 - (2) Undgå at opbevare akkuen i en beholder sammen med andre genstande af metal, for eksempel søm, mønter og lignende.
 - (3) Udsæt ikke akkuen for vand eller regn. Kortslutning af akkuen kan forårsage en kraftig øgning af strømmen, overophedning, mulige forbrændinger og endog værktøjstop.
6. Opbevar ikke værktøjet og akkuen på et sted, hvor temperaturen kan nå eller overstige 50 °C.
7. Lad være med at brænde akkuen, selv ikke i tilfælde, hvor den har lidt alvorlig skade eller er fuldstændig udtjent. Akkuen kan eksplodere, hvis man forsøger at brænde den.
8. Lad være med at brænde akkuen eller udsætte den for stød.
9. Anvend ikke en beskadiget akku.
10. De indbyggede litium-ion-batterier er underlagt lovkrav vedrørende farligt gods. Ved kommerciel transport, f.eks. af tredjeparts transportselskaber, skal særlige krav til forpakning og mærkning overholdes. Ved forberedelse af udstyret til forsendelse skal du kontakte en ekspert i farligt gods. Overhold også eventuel mere detaljeret national lovgivning. Tape eller tildæk åbne kontakter, og pak batteriet på en måde, så det ikke kan flytte sig rundt i pakningen.
11. Følg de lokale love vedrørende bortskaffelsen af batterier.

GEM DENNE BRUGSANVISNING.

⚠FORSIGTIG: Brug kun originale batterier fra Makita. Brug af uoriginale Makita-batterier, eller batterier som er blevet ændret, kan muligvis medføre brud på batteriet, hvilket kan forårsage brand, personskade eller beskadigelse. Det ugyldiggør også Makita-garantien for Makita-maskinen og opladeren.

GEM DISSE FORSKRIFTER.

⚠ADVARSEL: LAD IKKE bekvemmelighed eller kendskab til produktet (opnået gennem gentagen brug) forhindre, at sikkerhedsforskrifterne for produktet nøje overholdes. MISBRUG eller forsømmelse af at følge de i denne brugsvejledning givne sikkerhedsforskrifter kan medføre alvorlig personskade.

Vigtige sikkerhedsinstruktioner for akkuen

1. Læs alle instruktioner og advarselsmærkater på (1) akku-opladeren, (2) akkuen og (3) produktet, som anvender akku.
2. Lad være med at skille akkuen ad.
3. Hold straks op med anvendelsen, hvis brugstiden er blevet stærkt afkortet. Forsat anvendelse kan resultere i risiko for overophedning, forbrændinger og endog eksplosion.
1. Oplad akkuen, inden den er helt afladet. Stop altid værktøjet, og oplad akkuen, hvis De bemærker, at værktøjeffekten er aftagende.
2. Genoplad aldrig en fuldt opladet akku. Overopladning vil afkorte akkuens levetid.
3. Oplad akkuen ved stuetemperatur ved 10 °C - 40 °C. Lad altid en varm akku få tid til at køle af, inden den oplades.
4. Oplad akkuen, hvis De ikke skal bruge den i længere tid (mere end seks måneder).

FUNKTIONSBESKRIVELSE

⚠️ FORSIGTIG: Sørg altid for at maskinen er slukket, og at akkuen er taget ud, før der udføres justering eller kontrol af funktioner på maskinen.

Isætning eller fjernelse af akkuen

⚠️ FORSIGTIG: Sluk altid for værktøjet, før De monterer eller fjerner akkuen.

⚠️ FORSIGTIG: Hold værktøjet og akkuen fast ved montering eller fjernelse af akkuen. Hvis De ikke holder værktøjet og akkuen fast, kan de glide ud af hænderne på Dem og forårsage beskadigelse af værktøjet og akkuen eller personskade.

► **Fig.1:** 1. Rød indikator 2. Knap 3. Akku

Akkuen fjernes ved, at De trækker den ud af værktøjet, idet De skyder knappen på forsiden af akkuen i stilling.

Akkuen monteres ved, at De sætter tungen på akkuen ud for noten i kabinettet og lader den glide på plads. Sæt den hele vejen ind, så den låses på plads med et lille klik. Hvis den røde indikator på oversiden af knappen er synlig, betyder det, at den ikke er tilstrækkeligt låst.

⚠️ FORSIGTIG: Monter altid akkuen helt, indtil den røde indikator ikke længere er synlig. Hvis dette ikke gøres, kan den falde ud af værktøjet ved et uheld, hvorved De selv eller personer i nærheden kan komme til skade.

⚠️ FORSIGTIG: Brug ikke magt ved montering af akkuen. Hvis akkuen ikke glider på plads uden problemer, betyder det, at den ikke sættes i på korrekt vis.

Indikation af den resterende batteriladning

Kun til akkuer med indikatoren

► **Fig.2:** 1. Indikatorlamper 2. Kontrolknap

Tryk på kontrolknappen på akkuen for at få vist den resterende batteriladning. Indikatorlampen lyser i nogle sekunder.

Indikatorlamper			Resterende ladning
Tændt	Slukket	Blinker	
■	□	◐	75% til 100%
■ ■ ■ ■			
■ ■ ■ ■	□		50% til 75%
■ ■ ■ ■	□ □		25% til 50%
■ ■ ■ ■	□ □ □ □		0% til 25%
◐	□ □ □ □		Genoplad batteriet.
■ ■ ■ ■	□ □		Der er muligvis fejl i batteriet.
□ □ ■ ■		↑ ↓	

BEMÆRK: Afhængigt af brugsforholdene og den omgivende temperatur kan indikationen afvige en smule fra den faktiske ladning.

Beskyttelsessystem til værktøj/batteri

Maskinen er udstyret med et beskyttelsessystem til maskinen/batteriet. Dette system afbryder automatisk strømmen til motoren for at forlænge maskinens og batteriets levetid. Maskinen stopper automatisk under brugen, hvis maskinen eller batteriet udsættes for et af følgende forhold:

Overbelastningsbeskyttelse

Hvis batteriet bruges på en måde, der får det til at trække en unormalt høj strøm, stopper maskinen automatisk uden indikation. Sluk i så fald for maskinen, og stop den anvendelse, der medførte overbelastningen af maskinen. Tænd derefter for maskinen for at starte igen.

Beskyttelse mod overophedning

Hvis maskinen eller batteriet er overophedet, stopper maskinen automatisk, og lampen blinker. Lad i så fald maskinen og batteriet køle ned, før der tændes for maskinen igen.

Beskyttelse mod overafledning

Når batteriladningen er utilstrækkelig, stopper maskinen automatisk. Tag i så fald akkuen ud af maskinen, og oplad akkuen.

Afbryderbetjening

Tryk på lås/oplås-knappen for at tænde for maskinen. Maskinen går i standbytilstand. Maskinen startes ved at trykke på start/stop-knappen i standbytilstand. Tryk på start/stop-knappen igen for at stoppe maskinen. Maskinen går i standbytilstand. Tryk på lås/oplås-knappen i standbytilstand for at slukke for maskinen.

► **Fig.3:** 1. Lås/oplås-knap 2. Start/stop-knap

BEMÆRK: Hvis maskinen efterlades i standbytilstand i 10 sekunder uden nogen betjening, slukker maskinen automatisk, og lampen går ud.

BEMÆRK: Du kan også stoppe maskinen og slukke for den ved at trykke på lås/oplås-knappen, mens maskinen kører.

Tænding af lampen foran

⚠️ FORSIGTIG: Kig aldrig direkte på lyskilden. Lad ikke lyset falde i Deres øjne.

Tryk på lås/oplås-knappen for at tænde for lampen. Tryk på lås/oplås-knappen igen for at slukke for lampen.

BEMÆRKNING: Hvis maskinen bliver overophedet, blinker lampen. Lad i så fald maskinen køle helt ned, før maskinen betjenes igen.

BEMÆRK: Brug en tør klud til at tørre snavset af lampens linse. Pas på ikke at ride lampens linse, da dette muligvis kan dæmpe belysningen.

Drejeknap til hastighedsjustering

Maskinens rotationshastighed kan ændres ved at dreje drejeknappen til hastighedsjustering. Nedenstående tabel viser tallet på drejeknappen og den tilsvarende rotationshastighed.

► **Fig.4:** 1. Drejeknap til hastighedsjustering

Tal	Hastighed
1	10.000 min ⁻¹
2	15.000 min ⁻¹
3	20.000 min ⁻¹
4	25.000 min ⁻¹
5	30.000 min ⁻¹

BEMÆRKNING: Hvis maskinen anvendes kontinuerligt ved lav hastighed i længere tid ad gangen, bliver motoren overbelastet med funktionsforstyrrelser til følge.

BEMÆRKNING: Når hastighedsdrejeknappen flyttes fra "5" til "1", skal du dreje drejeknappen i retningen mod uret. Brug ikke magt til at dreje drejeknappen i retningen med uret.

Elektronisk funktion

Maskinen er udstyret med elektroniske funktioner for nem betjening.

- Konstant hastighedskontrol
Funktionen til hastighedskontrol sørger for konstant rotationshastighed uanset belastningsforholdene.
- Blød start
Funktionen til blød start minimerer stødet ved start og får maskinen til at starte blødt.

Justering af skæredybden

Hvis du vil justere skæredybden, skal du åbne låsehåndtaget og derefter flytte maskinens fod op eller ned ved hjælp af justeringskrue. Luk låsehåndtaget fast i efter justeringen.

► **Fig.5:** 1. Låsehåndtag 2. Justeringskrue

BEMÆRKNING: Hvis maskinen ikke er fastgjort efter lukning af låsehåndtaget, skal du stramme sekskantmøtrikken og derefter lukke låsehåndtaget.

► **Fig.6:** 1. Sekskantmøtrik

Justering af skæredybden ved hjælp af stikfoden

Ekstraudstyr

1. Placer maskinen på den flade overflade.
2. Vælg stopperskruen ved at rotere stopperfoden.

► **Fig.7:** 1. Stopperskruer 2. Stopperfod

3. Løsn fastgøringsmøtrikken til stopperarmen, og træk derefter opad i stopperarmen, idet der trykkes på fremføringsknappen.

► **Fig.8:** 1. Stopperarm 2. Fastgøringsmøtrik 3. Fremføringsknop

4. Tryk maskinen nedad, indtil spidsen af overfræserbitten berører den flade overflade, og drej derefter på fastgøringshåndtaget for at fastgøre maskinen.

► **Fig.9:** 1. Fastgøringshåndtag 2. Overfræsersbit

5. Tryk stopperarmen nedad, mens der trykkes på fremføringsknappen, indtil den berører stopperskruen.

► **Fig.10:** 1. Stopperarm 2. Stopperskruer 3. Fremføringsknop

6. Skub dybdevælgeren, så vælgeren peger på "0" på skalaen.

► **Fig.11:** 1. Dybdevælger

7. Juster skæredybden ved at trække opad i stopperarmen, mens der trykkes på fremføringsknappen.

► **Fig.12:** 1. Stopperarm 2. Fremføringsknop

8. Hvis du vil finjustere skæredybden, skal du dreje på drejeknappen på stopperarmen, så den peger på "0".

► **Fig.13:** 1. Drejeknap

9. Drej hovedet på stopperarmen for at opnå den ønskede dybde. Drej hovedet i retningen mod uret for at øge dybden. Drej hovedet i retningen med uret for at mindske dybden.

► **Fig.14:** 1. Hoved på stopperarmen

10. Stram fastgøringsmøtrikken til stopperarmen.

► **Fig.15:** 1. Fastgøringsmøtrik

11. Slip fastgøringshåndtaget.

► **Fig.16:** 1. Fastgøringshåndtag

SAMLING

⚠FORSIGTIG: Sørg altid for at maskinen er slukket, og at akkuen er taget ud, før der udføres noget arbejde på maskinen.

Montering eller afmontering af overfræserbitten

BEMÆRKNING: Stram ikke patronmøtrikken uden at indsætte bitten. Patronkeglen kan gå i stykker.

Sæt overfræserbitten hele vejen ind i patronkeglen. Tryk på aksellåsen, og stram patronmøtrikken med skruenøglen, eller stram patronmøtrikken forsvarligt med de to skruenøgler. Følg monteringsproceduren i omvendt rækkefølge for at afmontere bitten.

► **Fig.17:** 1. Aksellås 2. Løsn 3. Stram 4. Skruenøgler 5. Patronmøtrik

► **Fig.18:** 1. Skruenøgler 2. Løsn 3. Stram 4. Patronmøtrik

BEMÆRK: Aksellåsen går muligvis ikke tilbage i den oprindelige position, når du strammer patronmøtrikken ved monteringen af overfræserbitten. Aksellåsen går tilbage i den oprindelige position, når du starter maskinen.

► **Fig.19:** 1. Aksellås

Montering eller fjernelse af overfræserfoden

1. Åbn låsehåndtaget på overfræserfoden, og sæt derefter maskinen i overfræserfoden, idet rillen på maskinen justeres i forhold til fremspringet på overfræserfoden.

► **Fig.20:** 1. Låsehåndtag

2. Luk låsehåndtaget.

3. Monter støvmundstykket på overfræserfoden, og stram derefter fingerskruen.

► **Fig.21:** 1. støvmundstykke 2. Fingerskrue

► **Fig.22**

Følg monteringsproceduren i omvendt rækkefølge for at afmontere foden.

⚠FORSIGTIG: Når maskinen bruges sammen med overfræserfoden, skal du sørge for at montere støvmundstykket på overfræserfoden.

Montering eller fjernelse af vippefoden

Ekstraudstyr

1. Åbn låsehåndtaget på vippefoden, og sæt derefter maskinen i vippefoden, idet rillen på maskinen justeres i forhold til fremspringet på vippefoden.

► **Fig.23:** 1. Låsehåndtag

2. Luk låsehåndtaget.

Følg monteringsproceduren i omvendt rækkefølge for at afmontere foden.

Montering eller fjernelse af offsetfoden

Ekstraudstyr

1. Tryk på aksellåsen, og løsn derefter patronmøtrikken.

► **Fig.24:** 1. Patronmøtrik 2. Aksellås 3. Skruenøgle

2. Fjern patronmøtrikken og patronkeglen.

► **Fig.25:** 1. Patronmøtrik 2. Patronkegle

3. Monter remskiven på maskinen ved at trykke på aksellåsen og stramme remskiven ved hjælp af skruenøglen.

► **Fig.26:** 1. Skruenøgle 2. Remskive 3. Aksellås

4. Løsn skruerne på fodpladen, og fjern derefter fodpladen.

► **Fig.27:** 1. Fodplade

5. Åbn låsehåndtaget på offsetfoden, og sæt derefter maskinen i offsetfoden.

► **Fig.28:** 1. Låsehåndtag

6. Monter remmen på remskiven ved at dreje remmen i hånden.

► **Fig.29:** 1. Remskive 2. Rem

7. Luk låsehåndtaget.

► **Fig.30:** 1. Låsehåndtag

8. Monter fodpladen ved at stramme skruerne.

► **Fig.31:** 1. Fodplade

9. Sæt patronkeglen og overfræserbitten ind i offsetfoden, og stram derefter patronmøtrikken.

► **Fig.32:** 1. Overfræserbit 2. Patronmøtrik 3. Patronkegle

10. Sæt sekskantnøglen ind i hullet på offsetfoden, og stram derefter patronmøtrikken ved hjælp af skruenøglen.

► **Fig.33:** 1. Patronmøtrik 2. Skruenøgle 3. Sekskantnøgle

Følg monteringsproceduren i omvendt rækkefølge for at afmontere foden.

BEMÆRK: Du kan også montere remmen på remskiven uden at fjerne fodpladen som vist på illustrationen.

► **Fig.34:** 1. Remskive 2. Rem

Montering eller fjernelse af stikfoden

Ekstraudstyr

1. Åbn låsehåndtaget på stikfoden, og sæt derefter maskinen helt ind i stikfoden, idet rillen på maskinen justeres i forhold til fremspringet på stikfoden.

► **Fig.35:** 1. Låsehåndtag

2. Luk låsehåndtaget.

Følg monteringsproceduren i omvendt rækkefølge for at afmontere foden.

Montering eller fjernelse af parallellinealen på stikfoden

Ekstraudstyr

Indsæt styreskinnerne i hullerne på stikfoden, og stram derefter vingeboltene. Følg monteringsproceduren i omvendt rækkefølge for at afmontere linealen.

► **Fig.36:** 1. Vingebolt 2. Styreskinne

Montering eller fjernelse af støvmundstykket på stikfoden

Sæt støvmundstykket ind i stikfoden, så fremspringet på støvmundstykket passer ind i hakket i stikfoden, og stram derefter fingerskruen på støvmundstykket. Følg monteringsproceduren i omvendt rækkefølge for at afmontere studsens.

► **Fig.37:** 1. Fremspring 2. støvmundstykke 3. Fingerskrue

► **Fig.38**

ANVENDELSE

Brug af maskinen med overfræserfoden

Stil maskinfoden på arbejdsområdet, uden at overfræserbitten har kontakt. Tænd for maskinen, og vent, til bittens har nået fuld hastighed. Flyt maskinen fremad hen over arbejdsområdets overflade. Hold maskinfoden lige, mens maskinen flyttes. Ved skæring af kanten skal du sørge for at holde arbejdsområdets overflade til venstre for overfræserbittens i fremførselsretningen.

► Fig.39

BEMÆRK: Før du skærer i det faktiske arbejdsemne, anbefales det at foretage et prøvesnit. Den korrekte fremføringshastighed afhænger af overfræserbittens størrelse, typen af arbejdsemne og skæredybden. Hvis maskinen føres for hurtigt fremad, kan det medføre et dårligt snit eller beskadigelse af bitten eller motoren. Hvis maskinen føres for langsomt fremad, kan snittet blive brændt, og skæreooverfladen kan blive ødelagt.

Ved brug af overfræserskoen, det lige styr eller tilskæringsstyret skal du sørge for at holde dem i højre side i fremføringsretningen. Dette hjælper med at holde det justeret i forhold til siden af arbejdsemnet.

► **Fig.40:** 1. Overfræserbit 2. Arbejdsemne 3. Lige styr

BEMÆRKNING: Eftersom overdreven skæring kan medføre overbelastning af motoren eller problemer med at kontrollere maskinen, må skæredybden ikke være større end 3 mm pr. arbejdsplads ved skæring af riller. Hvis du vil skære riller, som er dybere end 3 mm, skal du foretage flere arbejdsplads med stadigt dybere bitindstillinger.

Brug af det lige styr

Ekstraudstyr

1. Saml det lige styr ved hjælp af bolten og vingemøtrikken.

► **Fig.41:** 1. Bolt 2. Vingemøtrik

2. Monter det lige styr på overfræserfoden ved hjælp af blokeringskruen.

► **Fig.42:** 1. Blokeringskru

3. Løsn vingemøtrikken på det lige styr, og juster afstanden mellem bitten og det lige styr. Stram vingemøtrikken i den ønskede afstand.

► **Fig.43:** 1. Vingemøtrik

4. Flyt maskinen, så det lige styr flugter med siden af arbejdsemnet.

► **Fig.44**

Hvis afstanden (A) mellem siden af arbejdsemnet og skærepositionen er for stor for det lige styr, eller hvis siden af arbejdsemnet ikke er lige, kan det lige styr ikke anvendes.

Fastklem i så fald et lige bræt på arbejdsemnet, og brug det som styr i forhold til foden af overfræseren. Før maskinen frem i pilens retning.

► **Fig.45**

Brug af det lige styr til cirkulært arbejde

Saml det lige styr som vist i illustrationerne til cirkulært arbejde. Den mindste og største radius af de cirkler, der skal skæres ud (afstanden mellem cirkelns centrum og centrum af bitten), er som følger:

- Minimum: 70 mm
- Maksimum: 221 mm

Til skæring af cirkler med en radius på mellem 70 mm og 121 mm

► **Fig.46:** 1. Centerhul

Til skæring af cirkler med en radius på mellem 121 mm og 221 mm

► **Fig.47:** 1. Centerhul

BEMÆRK: Der kan ikke skæres cirkler med en radius på mellem 172 mm og 186 mm ved hjælp af dette styr.

Juster centerhullet i det lige styr med centrum af den cirkel, der skal udskæres. Slå et søm med en diameter på mindre end 6 mm ind i centerhullet for at fastgøre det lige styr. Drej maskinen rundt om sømmet i retningen med uret.

► **Fig.48:** 1. Søm 2. Centerhul

Brug af skabelonstyr

Ekstraudstyr

Skabelonstyr gør det muligt at foretage gentagne snit med skabelonmønstre ved hjælp af en skabelon.

1. Løsn skrueerne på fodpladen, og fjern derefter fodpladen fra overfræserfoden.

2. Placer skabelonstyret på foden, og monter derefter fodpladen ved at stramme skrueerne.

► **Fig.49:** 1. Fodplade 2. Skabelonstyr

3. Placer maskinen på skabelonen, og flyt maskinen, så skabelonstyret glider langs siden af skabelonen.

► **Fig.50**

BEMÆRK: Den faktiske størrelse af skæringen på arbejdsemnet er en smule anderledes end skabelonen. Forskellen er afstanden (X) mellem overfræserbitten og ydersiden af skabelonstyret. Afstanden (X) kan beregnes ved hjælp af følgende ligning:

Afstand (X) = (den udvendige diameter af skabelonstyret - diameteren af overfræserbitten) / 2

► **Fig.51:** 1. Overfræserbit 2. Skabelonstyr 3. Afstand (X) 4. Udvendig diameter af skabelonstyret

Brug af tilskæringsstyr

Ekstraudstyr

Tilskæringsstyr gør det muligt at tilskære den buede side i f.eks. finér til møbler ved at flytte styrrullen langs siden af arbejdsemnet.

► **Fig.52**

1. Løsn blokeringskruen, monter derefter tilskæringsstyret på overfræserfoden, og stram derefter blokeringskruen.

► **Fig.53:** 1. Blokeringskru

2. Løsn blokeringskruen, og juster afstanden mellem overfræserbitten og tilskæringsstyret ved at dreje justeringskruen (1 mm pr. omgang). Tilspænd blokeringskruen ved den ønskede afstand for at fastgøre tilskæringsstyret.

► **Fig.54:** 1. Justeringskru 2. Blokeringskru

3. Flyt maskinen, så styrrullen rider på siden af arbejdsemnet.

► **Fig.55:** 1. Arbejdsemne 2. Bit 3. Styrrulle

Brug af maskinen med vippefoden

Vippefoden er nyttig til skråfasning. Løsn vingeskruerne, vip derefter maskinen i den ønskede vinkel, og stram derefter vingeskruerne.

Fastklem et lige bræt på arbejdsemnet, og brug det som styr i forhold til vippefoden. Før maskinen frem i pilens retning.

► **Fig.56:** 1. Vingeskrue

Brug af vippefodens plade sammen med overfræserfoden

Hvis du vil bruge overfræserfoden sammen med en firkantet fodplade, skal du afmontere fodpladen fra vippefoden og derefter montere den på overfræserfoden.

► **Fig.57:** 1. Vippefodens plade 2. Overfræserfodens plade

Brug af maskinen med offsetfoden

Offsetfoden er praktisk ved arbejde på trange steder som f.eks. i et hjørne.

► **Fig.58**

Brug af overfræserfoden med offsetfodens plade og greb

Offsetfodens plade kan også bruges sammen med en overfræserfod og en grebmontering (ekstraudstyr) for at opnå større stabilitet.

1. Løsn skruerne på fodpladen, og fjern derefter fodpladen fra offsetfoden.

► **Fig.59:** 1. Offsetfodens plade 2. Overfræserfodens plade

2. Monter offsetfodens plade på overfræserfoden ved at stramme skruerne.

3. Monter grebmonteringen og skinnetypegrebet på offsetfodens plade ved at stramme skruerne.

► **Fig.60:** 1. Skinnetypegreb 2. Grebmontering

Når knaptypegrebet er fjernet fra stikfoden, kan det monteres på offsetfoden i stedet for skinnetypegrebet.

► **Fig.61:** 1. Skrue 2. Knaptypegreb

Brug af maskinen med stikfoden

Hold altid godt fast i grebene med begge hænder under brugen. Betjen maskinen på samme måde som overfræserfoden.

Brug af det lige styr

Ekstraudstyr

1. Monter det lige styr på styrholderen ved at stramme vingemøtrikken. Indsæt styrholderen i hullerne på stikfoden, og stram derefter vingeboltene.

► **Fig.62:** 1. Vingebolt 2. Styrholder 3. Vingemøtrik 4. Lige styr

2. Løsn vingemøtrikken på det lige styr, og juster afstanden mellem bitten og det lige styr. Stram vingemøtrikken i den ønskede afstand.

► **Fig.63:** 1. Vingemøtrik

3. Betjen maskinen på samme måde som det lige styr til overfræserfoden.

► **Fig.64**

Brug af skabelonstyret

Ekstraudstyr

1. Løsn skruerne på foden, og fjern dem. Placer skabelonstyret på foden, og stram derefter skruerne.

► **Fig.65:** 1. Skrue 2. Skabelonstyr

2. Betjen maskinen på samme måde som skabelonstyret til overfræserfoden.

► **Fig.66**

Brug af parallellinealen

Parallellinealen anvendes effektivt til lige snit i forbindelse med skråfasning eller skæring af riller. Juster afstanden mellem bitten og parallellinealen. Tilspænd vingeboltene ved den ønskede afstand for at holde parallellinealen på plads. Ved skæring skal du flytte maskinen, så parallellinealen flugter med siden af arbejdsemnet.

► **Fig.67**

Hvis afstanden (A) mellem siden af arbejdsemnet og skærepositionen er for stor til parallellinealen, eller hvis siden af arbejdsemnet ikke er lige, kan parallellinealen ikke anvendes.

Fastklem i så fald et lige bræt på arbejdsemnet, og brug det som styr i forhold til stikfoden. Før maskinen frem i pilens retning.

► **Fig.68**

Udskiftning af knaptypegrebet med skinnetypegrebet

Hvis du vil montere skinnetypegrebet på stikfoden, skal du løse skruen på knaptypegrebet, derefter fjerne knaptypegrebet, og derefter montere skinnetypegrebet ved at stramme den.

► **Fig.69:** 1. Knaptypegreb 2. Skrue 3. Skinnetypegreb

VEDLIGEHOLDELSE

⚠FORSIGTIG: Vær altid sikker på, at værktøjet er slukket, og at akkuen er taget ud, inden De begynder at udføre inspektion eller vedligeholdelse.

BEMÆRKNING: Anvend aldrig benzin, rensebenzin, fortynder, alkohol og lignende. Det kan medføre misfarvning, deformation eller revner.

For at opretholde produktets SIKKERHED og PÅLIDELIGHED må reparation, vedligeholdelse eller justering kun udføres af et autoriseret Makita servicecenter eller fabrikksservicecenter med anvendelse af Makita reservedele.

EKSTRAUDSTYR

⚠️FORSIGTIG: Det følgende tilbehør og ekstraudstyr er anbefalet til brug med Deres Makita maskine, der er beskrevet i denne brugsanvisning. Anvendelse af andet tilbehør eller ekstraudstyr kan udgøre en risiko for personskade. Anvend kun tilbehør og ekstraudstyr til det beskrevne formål.

Hvis De behøver hjælp ved valg af tilbehør eller ønsker yderligere informationer, bedes De kontakte Deres lokale Makita servicecenter.

- Lige bits og rilleformningsbits
- Kantformningsbits
- Laminattilskæringsbits
- Montering af lige styr
- Montering af tilskæringsstyr
- Montering af overfræserfod
- Montering af vippefod
- Montering af stikfod
- Montering af offsetfod
- Grebmontering
- Skabelonstyr
- Patronkegle 6 mm
- Patronkegle 6,35 mm (1/4")
- Patronkegle 8 mm
- Patronkegle 9,53 mm (3/8")
- Skruenøgler 13
- Skruenøgler 22
- Original Makita-akku og oplader

BEMÆRK: Nogle ting på denne liste kan være inkluderet i værktøjspakken som standardtilbehør. Det kan være forskellige fra land til land.

Overfræserbits

Lige bit
► Fig.70

	D	A	L1	L2
20	6	20	50	15
20E	1/4"			
8	8	8	60	25
8	6			
8E	1/4"		50	18
6	6	6	50	18
6E	1/4"			

Enhed: mm

“U”-rillebit
► Fig.71

	D	A	L1	L2	R
6	6	6	50	18	3
6E	1/4"				

Enhed: mm

“V”-rillebit

► Fig.72

D	A	L1	L2	θ
1/4"	20	50	15	90°

Enhed: mm

Bit til udglatning af borepunkt

► Fig.73

	D	A	L1	L2	L3
8	8	8	60	20	35
6	6	6		18	28
6E	1/4"				

Enhed: mm

Bit til dobbelt udglatning af borepunkt

► Fig.74

	D	A	L1	L2	L3	L4
8	8	8	80	95	20	25
6	6	6	70	40	12	14
6E	1/4"					

Enhed: mm

Bit til afrunding af hjørner

► Fig.75

	D	A1	A2	L1	L2	L3	R
8R	6	25	9	48	13	5	8
8RE	1/4"						
4R	6	20	8	45	10	4	4
4RE	1/4"						

Enhed: mm

Skråfasningsbit

► Fig.76

D	A	L1	L2	L3	θ
6	23	46	11	6	30°
6	20	50	13	5	45°
6	20	49	14	2	60°

Enhed: mm

Bugtbertlingsbit

► Fig.77

D	A	L1	L2	R
6	20	43	8	4
6	25	48	13	8

Enhed: mm

Bit til udglatning med kugleleje

► Fig.78

D	A	L1	L2
6	10	50	20
1/4"			

Enhed: mm

Bit til afrunding af hjørner med kugleleje**► Fig.79**

D	A1	A2	L1	L2	L3	R
6	15	8	37	7	3,5	3
6	21		40	10		6
1/4"						

Enhed: mm

Bit til skråfasning med kugleleje**► Fig.80**

D	A1	A2	L1	L2	θ
6	26	8	42	12	45°
1/4"					
6	20		41	11	60°

Enhed: mm

Bit til bertling med kugleleje**► Fig.81**

D	A1	A2	A3	L1	L2	L3	R
6	20	12	8	40	10	5,5	4
6	26			42	12	4,5	7

Enhed: mm

Bit til bugtbertling med kugleleje**► Fig.82**

D	A1	A2	A3	A4	L1	L2	L3	R
6	20	18	12	8	40	10	5,5	3
6	26	22			42	12	5	5

Enhed: mm

Antikkarnisbit med kugleleje**► Fig.83**

D	A1	A2	L1	L2	L3	R1	R2
6	20	8	40	10	4,5	2,5	4,5
6	26		42	12		3	6

Enhed: mm

ΠΡΟΔΙΑΓΡΑΦΕΣ

Μοντέλο:	DR T50
Ικανότητα μηχανισμού σύσφιξης	6 mm, 8 mm, 1/4" ή 3/8"
Ταχύτητα χωρίς φορτίο	10.000 - 30.000 min ⁻¹
Συνολικό μήκος	226 mm
Ονομαστική τάση	D.C. 18 V
Στάνταρ κασέτα μπαταριών	BL1815N / BL1820 / BL1820B / BL1830 / BL1830B / BL1840 / BL1840B / BL1850 / BL1850B / BL1860B
Καθαρό βάρος	1,8 - 2,1 kg

- Λόγω του συνεχιζόμενου προγράμματος έρευνας και ανάπτυξης, οι προδιαγραφές αυτές υπόκεινται σε αλλαγές χωρίς προειδοποίηση.
- Οι προδιαγραφές και η κασέτα μπαταριών μπορεί να διαφέρουν ανάλογα με τη χώρα.
- Το βάρος μπορεί να διαφέρει ανάλογα με τα προσαρτήματα, συμπεριλαμβάνοντας την κασέτα μπαταριών. Ο ελαφρύτερος και ο βαρύτερος συνδυασμός, σύμφωνα με τη διαδικασία ΕΡΤΑ 01/2014, παρουσιάζονται στον πίνακα.

Προοριζόμενη χρήση

Το εργαλείο προορίζεται για επίπεδη κοπή και μορφοποίηση ξύλου, πλαστικού και παρόμοιων υλικών.

Θόρυβος

Το τυπικό Α επίπεδο καταμετρημένου θορύβου καθορίζεται σύμφωνα με το EN60745:

Στάθμη ηχητικής πίεσης (L_{PA}): 78 dB (A)
Αβεβαιότητα (K): 3 dB (A)

ΠΡΟΕΙΔΟΠΟΙΗΣΗ: Να φοράτε ωτοασπίδες.

Κραδασμός

Η ολική τιμή δόνησης (άθροισμα τρι-αξονικού διανύσματος) καθορίζεται σύμφωνα με το EN60745:

Είδος εργασίας: περιστροφή χωρίς φορτίο
Εκπομπή δόνησης (a_n): 2,5 m/s² ή λιγότερο
Αβεβαιότητα (K): 1,5 m/s²

Είδος εργασίας: κοπή αυλακώσεων σε MDF
Εκπομπή δόνησης (a_n): 4,5 m/s²
Αβεβαιότητα (K): 1,5 m/s²

ΠΑΡΑΤΗΡΗΣΗ: Η δηλωμένη τιμή εκπομπής κραδασμών έχει μετρηθεί σύμφωνα με την πρότυπη μέθοδο δοκιμής και μπορεί να χρησιμοποιηθεί για τη σύγκριση ενός εργαλείου με άλλο.

ΠΑΡΑΤΗΡΗΣΗ: Η δηλωμένη τιμή εκπομπής κραδασμών μπορεί να χρησιμοποιηθεί και στην προκαταρκτική αξιολόγηση έκθεσης.

ΠΡΟΕΙΔΟΠΟΙΗΣΗ: Η εκπομπή κραδασμών κατά τη χρήση του ηλεκτρικού εργαλείου σε πραγματικές συνθήκες μπορεί να διαφέρει από τη δηλωμένη τιμή εκπομπής ανάλογα με τον τρόπο χρήσης του εργαλείου.

ΠΡΟΕΙΔΟΠΟΙΗΣΗ: Φροντίστε να λάβετε τα κατάλληλα μέτρα προστασίας του χειριστή βάσει ενός υπολογισμού της έκθεσης σε πραγματικές συνθήκες χρήσης (λαμβάνοντας υπόψη όλες τις συνιστώσες του κύκλου λειτουργίας όπως τους χρόνους που το εργαλείο είναι εκτός λειτουργίας και όταν βρίσκεται σε αδρανή λειτουργία πέραν του χρόνου ενεργοποίησης).

Δήλωση συμμόρφωσης ΕΚ

Μόνο για χώρες της Ευρώπης

Η δήλωση συμμόρφωσης ΕΚ περιλαμβάνεται ως Παράρτημα Α στο παρόν εγχειρίδιο οδηγιών.

ΠΡΟΕΙΔΟΠΟΙΗΣΕΙΣ ΑΣΦΑΛΕΙΑΣ

Γενικές προειδοποιήσεις ασφαλείας για το ηλεκτρικό εργαλείο

ΠΡΟΕΙΔΟΠΟΙΗΣΗ: Διαβάστε όλες τις προειδοποιήσεις ασφάλειας, οδηγίες, εικονογραφήσεις και προδιαγραφές που παρέχονται με αυτό το ηλεκτρικό εργαλείο. Η μη τήρηση όλων των οδηγιών που αναγράφονται κατωτέρω μπορεί να καταλήξει σε ηλεκτροπληξία, πυρκαγιά ή/και σοβαρό τραυματισμό.

Φυλάξτε όλες τις προειδοποιήσεις και τις οδηγίες για μελλοντική παραπομπή.

Στις προειδοποιήσεις, ο όρος «ηλεκτρικό εργαλείο» αναφέρεται σε ηλεκτρικό εργαλείο που τροφοδοτείται από την κύρια παροχή ηλεκτρικού ρεύματος (με ηλεκτρικό καλώδιο) ή σε ηλεκτρικό εργαλείο που τροφοδοτείται από μπαταρία (χωρίς ηλεκτρικό καλώδιο).

Προειδοποιήσεις ασφάλειας για το φορητό κουρευτικό περιθωρίων

1. Να κρατάτε το ηλεκτρικό εργαλείο από τις μονωμένες επιφάνειες λαβής, επειδή ο κόπτης μπορεί να έρθει σε επαφή με κρυφή καλωδίωση. Σε περίπτωση που κοπεί ένα ηλεκτροφόρο καλώδιο, ενδέχεται να εκτεθειμένα μεταλλικά εξαρτήματα του ηλεκτρικού εργαλείου να καταστούν τα ίδια ηλεκτροφόρα και να προκαλέσουν ηλεκτροπληξία στο χειριστή.
2. Να χρησιμοποιείτε σφικτήρες ή κάποιο άλλο πρακτικό μέσο για να ασφαλίσετε και να στηρίζετε το τεμάχιο εργασίας σε μια σταθερή πλατφόρμα. Αν κρατάτε το τεμάχιο εργασίας με το χέρι σας ή επάνω στο σώμα σας, αυτό θα είναι ασταθές και μπορεί να χάσετε τον έλεγχο.
3. Να φοράτε ωτοασπίδες κατά τη λειτουργία για μεγάλο χρονικό διάστημα.
4. Να χειρίζεστε τις φρέζες του κουρευτικού περιθωρίων πολύ προσεκτικά.
5. Πριν από τη λειτουργία, ελέγξτε προσεκτικά τη φρέζα του κουρευτικού περιθωρίων για ραγίσματα ή ζημιά. Αντικαταστήστε αμέσως μια ραγισμένη ή κατεστραμμένη φρέζα.
6. Να αποφεύγετε την κοπή καρφιών. Πριν από τη λειτουργία, να ελέγχετε αν υπάρχουν καρφιά στο τεμάχιο εργασίας και να τα αφαιρείτε όλα αν υπάρχουν.
7. Κρατήστε το εργαλείο σταθερά.
8. Μην πλησιάζετε τα χέρια σας σε περιστρεφόμενα μέρη.
9. Να βεβαιώνεστε ότι η φρέζα του κουρευτικού περιθωρίων δεν ακουμπά το τεμάχιο εργασίας πριν ενεργοποιείτε το διακόπτη λειτουργίας.
10. Πριν από τη χρήση του εργαλείου πάνω σε πραγματικό τεμάχιο εργασίας, αφήστε το σε λειτουργία για λίγο. Προσέξτε για δονήσεις ή κινήσεις που θα μπορούσαν να υποδείξουν τη λανθασμένη τοποθέτηση της φρέζας.
11. Να προσέχετε την κατεύθυνση περιστροφής και τροφοδοσίας της φρέζας κουρευτικού περιθωρίων.
12. Μην αφήνετε το εργαλείο σε λειτουργία. Το εργαλείο πρέπει να βρίσκεται σε λειτουργία μόνο όταν το κρατάτε.
13. Όταν φθίνετε το εργαλείο, πάντοτε να περιμένετε να σταματήσει να κινείται εντελώς η φρέζα του κουρευτικού περιθωρίων πριν βγάξετε το εργαλείο από το τεμάχιο εργασίας.
14. Μην αγγίζετε τη φρέζα του κουρευτικού περιθωρίων αμέσως μετά τη λειτουργία του εργαλείου. Μπορεί να είναι εξαιρετικά θερμή και να προκληθεί έγκαυμα στο δέρμα σας.

15. Μην αλείφετε απρόσχετα τη βάση του εργαλείου με νέφτι, βενζίνη, λάδι ή κάτι παρόμοιο. Μπορεί να ραγίσει η βάση του εργαλείου.
16. Χρησιμοποιήστε φρέζες κουρευτικού περιθωρίων που διαθέτουν σωστή διάμετρο άξονα για την ταχύτητα του εργαλείου.
17. Μερικά υλικά περιέχουν χημικά που μπορεί να είναι τοξικά. Προσέχετε ώστε να αποφεύγετε την εισπνοή σκόνης και την επαφή με το δέρμα. Ακολουθείτε τα δεδομένα ασφαλείας υλικού που παρέχονται από τον προμηθευτή.
18. Να χρησιμοποιείτε πάντοτε προσωπίδα κατά της σκόνης ή αναπνευστήρα που είναι κατάλληλος για το υλικό και την εφαρμογή σας.

ΦΥΛΑΞΤΕ ΑΥΤΕΣ ΤΙΣ ΟΔΗΓΙΕΣ.

▲ΠΡΟΕΙΔΟΠΟΙΗΣΗ: ΜΗΝ επιτρέψετε στην άνεση ή στην εξοικειώσή σας με το προϊόν (που αποκτήθηκε από επανειλημμένη χρήση) να αντικαταστήσει την αυστηρή τήρηση των κανόνων ασφαλείας του παρόντος εργαλείου. Η **ΛΑΝΘΑΣΜΕΝΗ ΧΡΗΣΗ** ή η αμέλεια να ακολουθήσετε τους κανόνες ασφαλείας που διατυπώνονται στο παρόν εγχειρίδιο οδηγιών μπορεί να προκαλέσει σοβαρό προσωπικό τραυματισμό.

Σημαντικές οδηγίες ασφάλειας για κασέτα μπαταριών

1. Πριν χρησιμοποιήσετε την κασέτα μπαταριών, διαβάστε όλες τις οδηγίες και σημειώσεις προφύλαξης (1) στον φορητό μπαταριών, (2) στην μπαταρία και (3) στο προϊόν που χρησιμοποιεί την μπαταρία.
2. Μην αποσυναρμολογήσετε την κασέτα μπαταριών.
3. Εάν ο χρόνος λειτουργίας έχει γίνει υπερβολικά βραχύς, σταματήστε τη λειτουργία αμέσως. Αλλιώς, μπορεί να έχει ως αποτέλεσμα κίνδυνο υπερθέρμανσης, πιθανά εγκαύματα ή ακόμη και έκρηξη.
4. Εάν ηλεκτρολύτης μπει στα μάτια σας, ξεπλύνετε τα με καθαρό νερό και ζητήστε ιατρική φροντίδα αμέσως. Αλλιώς, μπορεί να έχει ως αποτέλεσμα απώλεια της όρασης σας.
5. Μην βραχυκυκλώνετε την κασέτα μπαταριών:
 - (1) Μην αγγίζετε τους πόλους με οτιδήποτε αγώγιμο υλικό.
 - (2) Αποφεύγετε να αποθηκεύετε την κασέτα μπαταριών μέσα σε ένα δοχείο μαζί με άλλα μεταλλικά αντικείμενα όπως καρφιά, νομίσματα, κλπ.
 - (3) Μην εκθέτετε την κασέτα μπαταριών στο νερό ή στη βροχή.Ένα βραχυκύκλωμα μπαταρίας μπορεί να προκαλέσει μεγάλη ροή ρεύματος, υπερθέρμανση, πιθανά εγκαύματα ακόμη και σοβαρή βλάβη.
6. Μην αποθηκεύετε το εργαλείο και την κασέτα μπαταριών σε τοποθεσίες όπου η θερμοκρασία μπορεί να φτάσει ή να ξεπεράσει τους 50°C.

7. Μην καίτε την κασέτα μπαταριών ακόμη και εάν έχει σοβαρή ζημιά ή είναι εντελώς φθαρμένη. Η κασέτα μπαταριών μπορεί να εκραγεί στη φωτιά.
8. Προσέχετε να μη ρίξετε κάτω ούτε να χτυπήσετε την μπαταρία.
9. Μην χρησιμοποιείτε μπαταρία που έχει υποστεί ζημιά.
10. Οι μπαταρίες ιόντων λιθίου που περιέχονται υπόκεινται στις απαιτήσεις της νομοθεσίας για επικίνδυνα αγαθά.
Για εμπορικές μεταφορές, για παράδειγμα από τρίτα μέρη, πρέπει να τηρούνται οι διαμεταφορές, οι ειδικές απαιτήσεις στη συσκευασία και η επισήμανση.
Για προετοιμασία του στοιχείου που αποστέλλεται, είναι απαραίτητο να συμβουλευτείτε έναν ειδικό για επικίνδυνα υλικά. Επίσης, τηρήστε τους πιθανούς, πιο αναλυτικούς εθνικούς κανονισμούς.
Καλύψτε με αυτοκόλλητη ταινία ή κρύψτε τις ανοικτές επαφές και συσκευάστε την μπαταρία με τρόπο που να μην μπορεί να μετακινείται μέσα στη συσκευασία.
11. Τηρήστε τους τοπικούς κανονισμούς που σχετίζονται με τη διάθεση της μπαταρίας.

ΦΥΛΑΞΤΕ ΤΙΣ ΟΔΗΓΙΕΣ ΑΥΤΕΣ.

▲ΠΡΟΣΟΧΗ: Να χρησιμοποιείτε μόνο γνήσιες μπαταρίες της Makita. Η χρήση μη γνήσιων μπαταριών Makita, ή μπαταριών που έχουν τροποποιηθεί, μπορεί να έχει ως αποτέλεσμα τη ρήξη της μπαταρίας, προκαλώντας πυρκαγιά, προσωπικό τραυματισμό και βλάβη. Επίσης, θα ακυρωθεί η εγγύηση της Makita για το εργαλείο και φορτιστή Makita.

Συμβουλές για τη διατήρηση της μέγιστης ζωής μπαταρίας

1. Φορτίζετε την κασέτα μπαταριών πριν από την πλήρη αποφόρτιση της. Πάντοτε να σταματάτε τη λειτουργία του εργαλείου και να φορτίζετε την κασέτα μπαταριών όταν παρατηρείτε μειωμένη ισχύ εργαλείου.
2. Ποτέ μην επαναφορτίζετε μια πλήρως φορτισμένη κασέτα μπαταριών. Η υπερφόρτιση μειώνει την ωφέλιμη ζωή της μπαταρίας.
3. Να φορτίζετε την κασέτα μπαταριών σε θερμοκρασία δωματίου, δηλαδή στους 10°C έως 40°C. Αφήστε μια θερμή κασέτα μπαταριών να κρυώσει πριν την φορτίσετε.
4. Να φορτίζετε την κασέτα μπαταριών εάν δεν τη χρησιμοποιείτε για μεγάλη χρονική περίοδο (περισσότερο από έξι μήνες).

ΠΕΡΙΓΡΑΦΗ ΛΕΙΤΟΥΡΓΙΑΣ

▲ΠΡΟΣΟΧΗ: Να φροντίζετε πάντα για την απενεργοποίηση του εργαλείου και την αφαίρεση της κασέτας μπαταρίας, πριν από οποιαδήποτε ρύθμιση ή έλεγχο της λειτουργίας του.

Τοποθέτηση ή αφαίρεση της κασέτας μπαταριών

▲ΠΡΟΣΟΧΗ: Να σβήνετε πάντα το εργαλείο πριν τοποθετήσετε ή αφαιρέσετε την κασέτα μπαταριών.

▲ΠΡΟΣΟΧΗ: Κρατήστε το εργαλείο και την κασέτα μπαταριών σταθερά κατά την τοποθέτηση ή αφαίρεση της κασέτας μπαταριών. Εάν δεν κρατάτε το εργαλείο και την κασέτα μπαταριών σταθερά μπορεί να γλιστρήσουν από τα χέρια σας και να προκληθεί βλάβη στο εργαλείο και την κασέτα μπαταριών και προσωπικός τραυματισμός.

► **Εικ. 1:** 1. Κόκκινη ένδειξη 2. Κουμπί 3. Κασέτα μπαταριών

Για να αφαιρέσετε την κασέτα μπαταριών, ολισθήστε την από το εργαλείο ενώ σύρετε το κουμπί στο μπροστινό μέρος της κασέτας.

Για να τοποθετήσετε την κασέτα μπαταριών, ευθυγραμμίστε τη γλώσσα στην κασέτα μπαταριών με την αύλακα στην υποδοχή και ολισθήστε τη στη θέση της. Να την τοποθετείτε πλήρως μέχρι να ασφαλίσει στη θέση της, γεγονός που υποδεικνύεται με ένα χαρακτηριστικό ήχο. Εάν μπορείτε να δείτε την κόκκινη ένδειξη στην επάνω πλευρά του κουμπιού, δεν έχει κλειδώσει τελείως.

▲ΠΡΟΣΟΧΗ: Να τοποθετείτε πάντα την κασέτα μπαταριών πλήρως μέχρι να μη βλέπετε την κόκκινη ένδειξη. Εάν δεν ασφαλίσει, μπορεί να πέσει από το εργαλείο τυχαία, προκαλώντας σωματική βλάβη σε εσάς ή κάποιον άλλο γύρω σας.

▲ΠΡΟΣΟΧΗ: Μην τοποθετείτε την κασέτα μπαταριών με βία. Εάν η κασέτα δεν ολισθαίνει με ευκολία, τότε δεν έχει τοποθετηθεί κατάλληλα.

Εμφάνιση υπολειπόμενης χωρητικότητας μπαταρίας

Μόνο για κασέτες μπαταρίας με την ενδεικτική λυχνία

► **Εικ.2:** 1. Ενδεικτικές λυχνίες 2. Κουμπί ελέγχου

Πιέστε το κουμπί ελέγχου στην κασέτα μπαταριών για να υποδείξετε την υπολειπόμενη χωρητικότητα μπαταρίας. Οι ενδεικτικές λυχνίες ανάβουν για λίγα δευτερόλεπτα.

Ενδεικτικές Λυχνίες			Υπολειπόμενη χωρητικότητα
Αναμμένες	Σβηστές	Αναβοσβήνου	
■ ■ ■ ■	□ □ □ □	■	75% έως 100%
■ ■ ■ □	□ □ □ □	■	50% έως 75%
■ ■ □ □	□ □ □ □	■	25% έως 50%
■ □ □ □	□ □ □ □	■	0% έως 25%
■	□ □ □ □	■	Φορτίστε την μπαταρία.
■ ■ □ □	□ □ □ □	■	Μπορεί να πρόκυψε δυσλειτουργία στην μπαταρία.
□ □ ■ ■	□ □ □ □	■	

ΠΑΡΑΤΗΡΗΣΗ: Ανάλογα με τις συνθήκες χρήσης και τη θερμοκρασία περιβάλλοντος, η ένδειξη μπορεί να διαφέρει λίγο από την πραγματική χωρητικότητα.

Σύστημα προστασίας εργαλείου/ μπαταρίας

Το εργαλείο είναι εξοπλισμένο με σύστημα προστασίας εργαλείου/μπαταρίας. Αυτό το σύστημα αποκρίνει αυτόματα την ισχύ προς το μοτέρ για να παραταθεί η διάρκεια λειτουργίας του εργαλείου και της μπαταρίας. Το εργαλείο σταματάει αυτόματα κατά τη διάρκεια της λειτουργίας εάν το εργαλείο ή η μπαταρία βρεθούν κάτω από τις παρακάτω συνθήκες:

Προστασία υπερφόρτωσης

Όταν η μπαταρία λειτουργεί με τρόπο ώστε να αναγκάζεται να καταναλώνει ασυνήθιστα υψηλό ρεύμα, το εργαλείο σταματάει αυτόματα χωρίς καμία ένδειξη. Σε αυτή την κατάσταση, σβήστε το εργαλείο και διακόψτε την εφαρμογή που προκαλεί την υπερφόρτωση του εργαλείου. Μετά, ενεργοποιήστε το εργαλείο για επανεκκίνηση.

Προστασία υπερθέρμανσης

Όταν το εργαλείο ή η μπαταρία υπερθερμανθεί, η λειτουργία του εργαλείου σταματάει αυτόματα και η λάμπα αναβοσβήνει. Σε αυτή την περίπτωση, αφήστε το εργαλείο και την μπαταρία να ψυχθούν πριν ενεργοποιήσετε ξανά το εργαλείο.

Προστασία υπερβολικής αποφόρτισης

Όταν η φόρτιση μπαταρίας δεν είναι αρκετή, το εργαλείο σταματάει αυτόματα. Σε αυτή την περίπτωση, βγάλτε την μπαταρία από το εργαλείο και φορτίστε την μπαταρία.

Δράση διακοπής

Για να ενεργοποιήσετε το εργαλείο, πατήστε το κουμπί κλειδώματος/ξεκλειδώματος. Το εργαλείο μεταβαίνει σε τρόπο λειτουργίας αναμονής. Για να ξεκινήσετε τη λειτουργία του εργαλείου, πατήστε το κουμπί εκκίνησης/διακοπής στον τρόπο λειτουργίας αναμονής. Για να σταματήσετε τη λειτουργία του εργαλείου, πατήστε ξανά το κουμπί εκκίνησης/διακοπής. Το εργαλείο μεταβαίνει σε τρόπο λειτουργίας αναμονής. Για να απενεργοποιήσετε το εργαλείο, πατήστε το κουμπί κλειδώματος/ξεκλειδώματος στον τρόπο λειτουργίας αναμονής.

- **Εικ.3:** 1. Κουμπί κλειδώματος/ξεκλειδώματος
2. Κουμπί εκκίνησης/διακοπής

ΠΑΡΑΤΗΡΗΣΗ: Αν αφήσετε το εργαλείο για 10 δευτερόλεπτα χωρίς καμία λειτουργία στον τρόπο λειτουργίας αναμονής, το εργαλείο απενεργοποιείται αυτόματα και η λάμπα σβήνει.

ΠΑΡΑΤΗΡΗΣΗ: Επίσης, μπορείτε να σταματήσετε και να απενεργοποιήσετε το εργαλείο αν πατήσετε το κουμπί κλειδώματος/ξεκλειδώματος ενώ το εργαλείο λειτουργεί.

Αναμμα της μπροστινής λάμπας

▲ **ΠΡΟΣΟΧΗ:** Μην κοιτάζετε κατευθείαν μέσα στο φως ή στην πηγή φωτός.

Για να ανάψετε τη λάμπα, πατήστε το κουμπί κλειδώματος/ξεκλειδώματος. Για να σβήσετε τη λάμπα, πατήστε ξανά το κουμπί κλειδώματος/ξεκλειδώματος.

ΕΙΔΟΠΟΙΗΣΗ: Όταν το εργαλείο έχει υπερθερμανθεί, η λάμπα αναβοσβήνει. Αφήστε τη θερμοκρασία του εργαλείου να μειωθεί πριν θέσετε ξανά το εργαλείο σε λειτουργία.

ΠΑΡΑΤΗΡΗΣΗ: Χρησιμοποιήστε ένα στεγνό πανί για να σκουπίσετε τη σκόνη από το φακό της λάμπας. Προσέχετε να μη γρατζουνίσετε το φακό της λάμπας, επειδή μπορεί να μειωθεί η ένταση του φωτισμού.

Επιλογέας ρύθμισης ταχύτητας

Αν περιστρέψετε τον επιλογέα ρύθμισης ταχύτητας, μπορείτε να αλλάξετε την ταχύτητα περιστροφής του εργαλείου. Στον παρακάτω πίνακα παρουσιάζεται ο αριθμός στον επιλογέα και η αντίστοιχη ταχύτητα περιστροφής.

- **Εικ.4:** 1. Επιλογέας ρύθμισης ταχύτητας

Αριθμός	Ταχύτητα
1	10.000 min ⁻¹
2	15.000 min ⁻¹
3	20.000 min ⁻¹
4	25.000 min ⁻¹
5	30.000 min ⁻¹

ΕΙΔΟΠΟΙΗΣΗ: Αν το εργαλείο λειτουργεί συνεχόμενα με χαμηλή ταχύτητα για μεγάλο χρονικό διάστημα, το μοτέρ θα υπερφορτωθεί και θα προκαλέσει δυσλειτουργία του εργαλείου.

ΕΙΔΟΠΟΙΗΣΗ: Όταν αλλάζετε τον επιλογέα ταχύτητας από «5» σε «1», περιστρέψτε τον επιλογέα αριστερόστροφα. Μην περιστρέψετε τον επιλογέα δεξιόστροφα με δύναμη.

Ηλεκτρονική λειτουργία

Το εργαλείο είναι εξοπλισμένο με ηλεκτρονικές λειτουργίες για εύκολη λειτουργία.

- Έλεγχος σταθερής ταχύτητας
Η λειτουργία ελέγχου ταχύτητας παρέχει σταθερή ταχύτητα περιστροφής, ανεξάρτητα από τις συνθήκες φόρτου.
- Ομαλή εκκίνηση
Η λειτουργία ομαλής εκκίνησης ελαχιστοποιεί τον κραδασμό κατά την εκκίνηση και καθιστά την εκκίνηση του εργαλείου ομαλή.

Ρύθμιση βάθους κοπής

Για να ρυθμίσετε το βάθος κοπής, ανοίξτε το μοχλό κλειδώματος και μετά περιστρέψτε τη βίδα ρύθμισης για να μετακινήσετε τη βάση εργαλείου προς τα πάνω ή προς τα κάτω. Μετά τη ρύθμιση, κλείστε καλά το μοχλό κλειδώματος.

► **Εικ.5:** 1. Μοχλός κλειδώματος 2. Βίδα ρύθμισης

ΕΙΔΟΠΟΙΗΣΗ: Αν το εργαλείο δεν είναι ασφαλισμένο μετά το κλείσιμο του μοχλού κλειδώματος, σφίξτε το εξαγωνικό παξιμάδι και μετά κλείστε το μοχλό κλειδώματος.

► **Εικ.6:** 1. Εξαγωνικό παξιμάδι

Ρύθμιση του βάθους κοπής με τη βάση βύθισης

Προαιρετικό εξάρτημα

1. Τοποθετήστε το εργαλείο σε μια επίπεδη επιφάνεια.
2. Περιστρέψτε την ανασταλτική βάση για να επιλέξετε την ανασταλτική βίδα.
► **Εικ.7:** 1. Ανασταλτική βίδα 2. Ανασταλτική βάση
3. Χαλαρώστε το παξιμάδι στερέωσης ανασταλτικού άξονα και μετά τραβήξτε προς τα πάνω τον ανασταλτικό άξονα ενώ πατάτε το κουμπί τροφοδοσίας.
► **Εικ.8:** 1. Ανασταλτικός άξονας 2. Παξιμάδι στερέωσης 3. Κουμπί τροφοδοσίας
4. Σπρώξτε το εργαλείο προς τα κάτω μέχρι η μύτη της φρέζας κουρευτικού περιθωρίων να αγγίξει την επίπεδη επιφάνεια και μετά περιστρέψτε το μοχλό στερέωσης για να ασφαλίσετε το εργαλείο.
► **Εικ.9:** 1. Μοχλός στερέωσης 2. Φρέζα κουρευτικού περιθωρίων
5. Πατήστε κάτω τον ανασταλτικό άξονα ενώ πατάτε το κουμπί τροφοδοσίας μέχρι να έρθει σε επαφή με την ανασταλτική βίδα.
► **Εικ.10:** 1. Ανασταλτικός άξονας 2. Ανασταλτική βίδα 3. Κουμπί τροφοδοσίας
6. Σύρετε τον δείκτη βάθους με τρόπο ώστε ο δείκτης να δείχνει το «0» στην κλίμακα.
► **Εικ.11:** 1. Δείκτης βάθους
7. Ρυθμίστε το βάθος κοπής τραβώντας προς τα πάνω τον ανασταλτικό άξονα ενώ πατάτε το κουμπί τροφοδοσίας.
► **Εικ.12:** 1. Ανασταλτικός άξονας 2. Κουμπί τροφοδοσίας

8. Για να εκτελέσετε ακριβή ρύθμιση του βάθους κοπής, περιστρέψτε τον επιλογέα στον ανασταλτικό άξονα με τρόπο ώστε να υποδεικνύει «0».

► **Εικ.13:** 1. Επιλογέας

9. Περιστρέψτε την κεφαλή του ανασταλτικού άξονα για να αποκτήσετε το επιθυμητό βάθος. Για να αυξήσετε το βάθος, περιστρέψτε την κεφαλή αριστερόστροφα. Για να μειώσετε το βάθος, περιστρέψτε την κεφαλή δεξιόστροφα.

► **Εικ.14:** 1. Κεφαλή του ανασταλτικού άξονα

10. Σφίξτε το παξιμάδι στερέωσης ανασταλτικού άξονα.

► **Εικ.15:** 1. Παξιμάδι στερέωσης

11. Απελευθερώστε το μοχλό στερέωσης.

► **Εικ.16:** 1. Μοχλός στερέωσης

ΣΥΝΑΡΜΟΛΟΓΗΣΗ

ΠΡΟΣΟΧΗ: Να βεβαιώνεστε πάντα ότι το εργαλείο είναι σβηστό και η κασέτα μπαταρίας έχει αφαιρεθεί πριν εκτελέσετε κάποια εργασία στο εργαλείο.

Τοποθέτηση ή αφαίρεση της φρέζας κουρευτικού περιθωρίων

ΕΙΔΟΠΟΙΗΣΗ: Μη σφίγγετε το παξιμάδι κολάρου χωρίς να έχετε τοποθετήσει τη φρέζα. Ο κώνος κολάρου μπορεί να σπάσει.

Εισαγάγετε τη φρέζα κουρευτικού περιθωρίων μέχρι τέρμα μέσα στον κώνο κολάρου. Πατήστε την ασφάλιση άξονα και σφίξτε το παξιμάδι κολάρου με το κλειδί ή σφίξτε καλά το παξιμάδι κολάρου με δύο κλειδιά. Για να βγάλετε τη φρέζα, ακολουθήστε τη διαδικασία τοποθέτησης με αντίστροφη σειρά.

► **Εικ.17:** 1. Ασφάλιση άξονα 2. Χαλαρώστε 3. Σφίξτε 4. Κλειδί 5. Παξιμάδι κολάρου

► **Εικ.18:** 1. Κλειδί 2. Χαλαρώστε 3. Σφίξτε 4. Παξιμάδι κολάρου

ΠΑΡΑΤΗΡΗΣΗ: Η ασφάλιση άξονα μπορεί να μην επιστρέψει στην αρχική θέση όταν σφίξτε το παξιμάδι κολάρου κατά την τοποθέτηση της φρέζας κουρευτικού περιθωρίων. Η ασφάλιση άξονα επιστρέφει στην αρχική θέση όταν εκκινείτε το εργαλείο.

► **Εικ.19:** 1. Ασφάλιση άξονα

Τοποθέτηση ή αφαίρεση της βάσης κουρευτικού περιθωρίων

1. Ανοίξτε το μοχλό κλειδώματος της βάσης κουρευτικού περιθωρίων και μετά εισαγάγετε το εργαλείο στη βάση κουρευτικού περιθωρίων ευθυγραμμίζοντας την εγκοπή στο εργαλείο με την προεξοχή στη βάση κουρευτικού περιθωρίων.

► **Εικ.20:** 1. Μοχλός κλειδώματος

2. Κλείστε το μοχλό κλειδώματος.

3. Συνδέστε το ακροφύσιο σκόνης στη βάση κουρευτικού περιθωρίων και μετά σφίξτε τη βίδα χειρός.

► **Εικ.21:** 1. Ακροφύσιο σκόνης 2. Βίδα χειρός

► **Εικ.22**

Για να βγάλετε τη βάση, ακολουθήστε τη διαδικασία τοποθέτησης με αντίστροφη σειρά.

ΠΡΟΣΟΧΗ: Όταν χρησιμοποιείτε το εργαλείο με τη βάση κουρευτικού περιθωρίων, βεβαιωθείτε να τοποθετήσετε το ακροφύσιο σκόνης στη βάση κουρευτικού περιθωρίων.

Τοποθέτηση ή αφαίρεση της βάσης κλίσης

Προαιρετικό εξάρτημα

1. Ανοίξτε το μοχλό κλειδώματος της βάσης κλίσης και μετά εισαγάγετε το εργαλείο στη βάση κλίσης ευθυγραμμίζοντας την εγκοπή στο εργαλείο με την προεξοχή στη βάση κλίσης.

► **Εικ.23:** 1. Μοχλός κλειδώματος

2. Κλείστε το μοχλό κλειδώματος.

Για να βγάλετε τη βάση, ακολουθήστε τη διαδικασία τοποθέτησης με αντίστροφη σειρά.

Τοποθέτηση ή αφαίρεση της βάσης αντιστηρίγματος

Προαιρετικό εξάρτημα

1. Πατήστε την ασφάλιση άξονα και μετά χαλαρώστε το παξιμάδι κολάρου.

► **Εικ.24:** 1. Παξιμάδι κολάρου 2. Ασφάλιση άξονα 3. Κλειδί

2. Βγάλετε το παξιμάδι κολάρου και τον κώνο κολάρου.

► **Εικ.25:** 1. Παξιμάδι κολάρου 2. Κώνος κολάρου

3. Τοποθετήστε το καρούλι στο εργαλείο πατώντας την ασφάλιση άξονα και σφίγγοντας το καρούλι με το κλειδί.

► **Εικ.26:** 1. Κλειδί 2. Καρούλι 3. Ασφάλιση άξονα

4. Χαλαρώστε τις βίδες στην πλάκα βάσης και μετά βγάλετε την πλάκα βάσης.

► **Εικ.27:** 1. Πλάκα βάσης

5. Ανοίξτε το μοχλό κλειδώματος της βάσης αντιστηρίγματος και μετά εισαγάγετε το εργαλείο στη βάση αντιστηρίγματος.

► **Εικ.28:** 1. Μοχλός κλειδώματος

6. Στερεώστε τον ιμάντα στο καρούλι περιστρέφοντας τον ιμάντα με το χέρι.

► **Εικ.29:** 1. Καρούλι 2. Ιμάντας

7. Κλείστε το μοχλό κλειδώματος.

► **Εικ.30:** 1. Μοχλός κλειδώματος

8. Συνδέστε την πλάκα βάσης σφίγγοντας τις βίδες.

► **Εικ.31:** 1. Πλάκα βάσης

9. Εισαγάγετε τον κώνο κολάρου και τη φρέζα κουρευτικού περιθωρίων στη βάση αντιστηρίγματος και μετά σφίξτε το παξιμάδι κολάρου.

► **Εικ.32:** 1. Φρέζα κουρευτικού περιθωρίων 2. Παξιμάδι κολάρου 3. Κώνος κολάρου

10. Εισαγάγετε το εξαγωνικό κλειδί στην οπή της βάσης αντιστηρίγματος και μετά σφίξτε το παξιμάδι κολάρου με το κλειδί.

► **Εικ.33:** 1. Παξιμάδι κολάρου 2. Κλειδί 3. Εξαγωνικό κλειδί

Για να βγάλετε τη βάση, ακολουθήστε τη διαδικασία τοποθέτησης με αντίστροφη σειρά.

ΠΑΡΑΤΗΡΗΣΗ: Μπορείτε επίσης να στερεώσετε τον ιμάντα στο καρούλι χωρίς να βγάλετε την πλάκα βάσης, όπως απεικονίζεται στην εικόνα.

► **Εικ.34:** 1. Καρούλι 2. Ιμάντας

Τοποθέτηση ή αφαίρεση της βάσης βύθισης

Προαιρετικό εξάρτημα

1. Ανοίξτε το μοχλό κλειδώματος της βάσης βύθισης και μετά εισαγάγετε το εργαλείο στη βάση βύθισης μέχρι τέρμα ευθυγραμμίζοντας την εγκοπή στο εργαλείο με την προεξοχή στη βάση βύθισης.

► **Εικ.35:** 1. Μοχλός κλειδώματος

2. Κλείστε το μοχλό κλειδώματος.

Για να βγάλετε τη βάση, ακολουθήστε τη διαδικασία τοποθέτησης με αντίστροφη σειρά.

Τοποθέτηση ή αφαίρεση του παράλληλου κανόνα στη βάση βύθισης

Προαιρετικό εξάρτημα

Εισαγάγετε τις ράβδους οδήγησης στις οπές στη βάση βύθισης και μετά σφίξτε τις πεταλούδες. Για να βγάλετε τον κανόνα, ακολουθήστε τη διαδικασία τοποθέτησης με αντίστροφη σειρά.

► **Εικ.36:** 1. Πεταλούδα 2. Ράβδος οδήγησης

Τοποθέτηση ή αφαίρεση του ακροφυσίου σκόνης στη βάση βύθισης

Εισαγάγετε το ακροφύσιο σκόνης στη βάση βύθισης με τρόπο ώστε η προεξοχή στο ακροφύσιο σκόνης να προσαρμοστεί με την εγκοπή στη βάση βύθισης και μετά σφίξτε τη βίδα χειρός στο ακροφύσιο, ακολουθήστε τη διαδικασία τοποθέτησης με αντίστροφη σειρά.

► **Εικ.37:** 1. Προεξοχή 2. Ακροφύσιο σκόνης 3. Βίδα χειρός

► **Εικ.38**

ΛΕΙΤΟΥΡΓΙΑ

Χρήση του εργαλείου με τη βάση κουρευτικού περιθωρίων

Τοποθετήστε τη βάση εργαλείου πάνω στο τεμάχιο εργασίας χωρίς η φρέζα κουρευτικού περιθωρίων να έρχεται σε καμία επαφή. Ενεργοποιήστε το εργαλείο και περιμένετε μέχρι η φρέζα να αποκτήσει πλήρη ταχύτητα. Μετακινήστε το εργαλείο προς τα μπροστά πάνω από την επιφάνεια του τεμαχίου εργασίας. Να διατηρείτε τη βάση εργαλείου ισόπεδα ενώ μετακινείτε το εργαλείο.

Όταν κόβετε το άκρο, φροντίστε να διατηρείτε την επιφάνεια του τεμαχίου εργασίας στην αριστερή πλευρά της φρέζας κουρευτικού περιθωρίων στην κατεύθυνση τροφοδοσίας.

► **Εικ.39**

ΠΑΡΑΤΗΡΗΣΗ: Πριν κόψετε το πραγματικό τεμάχιο εργασίας, συνιστάται να πραγματοποιήσετε μια δοκιμαστική κοπή. Η σωστή ταχύτητα τροφοδοσίας εξαρτάται από το μέγεθος της φρέζας κουρευτικού περιθωρίων, το είδος του τεμαχίου εργασίας και το βάθος κοπής. Αν μετακινείτε το εργαλείο προς τα μπροστά με πολύ μεγάλη ταχύτητα, μπορεί να προκληθεί κακή ποιότητα κοπής ή βλάβη στη φρέζα ή στο μοτέρ. Αν μετακινείτε το εργαλείο προς τα εμπρός με πολύ μικρή ταχύτητα, μπορεί να καεί ή να καταστραφεί η επιφάνεια κοπής.

Όταν χρησιμοποιείτε το πέδιλο κουρευτικού περιθωρίων, τον ίσιο οδηγό ή τον οδηγό κουρευτικού περιθωρίων, βεβαιωθείτε να το διατηρείτε στη δεξιά πλευρά προς την κατεύθυνση τροφοδοσίας. Αυτό θα βοηθήσει ώστε να μείνει ευθυγραμμισμένος με την πλευρά του τεμαχίου εργασίας.

► **Εικ.40:** 1. Φρέζα κουρευτικού περιθωρίων
2. Τεμάχιο εργασίας 3. Ίσιος οδηγός

ΕΙΔΟΠΟΙΗΣΗ: Επειδή η υπερβολική κοπή μπορεί να προκαλέσει την υπερφόρτωση του μοτέρ ή τη δυσκολία στον έλεγχο του εργαλείου, το βάθος κοπής δεν θα πρέπει να είναι μεγαλύτερο από 3 mm ανά πέρασμα κατά την κοπή αυλακώσεων. Όταν επιθυμείτε την κοπή αυλακώσεων με βάθος μεγαλύτερο από 3 mm, πραγματοποιήστε αρκετά περάσματα με προοδευτικά βαθύτερες ρυθμίσεις της φρέζας.

Χρήση του ίσιου οδηγού

Προαιρετικό εξάρτημα

1. Συναρμολογήστε τον ίσιο οδηγό με το μπουλόνι και το παξιμάδι πεταλούδα.

► **Εικ.41:** 1. Μπουλόνι 2. Παξιμάδι πεταλούδα

2. Συνδέστε τον ίσιο οδηγό στη βάση κουρευτικού περιθωρίων με τη βίδα σύσφιξης.

► **Εικ.42:** 1. Βίδα σύσφιξης

3. Χαλαρώστε το παξιμάδι πεταλούδα στον ίσιο οδηγό και ρυθμίστε την απόσταση μεταξύ της φρέζας και του ίσιου οδηγού. Στην επιθυμητή απόσταση, σφίξτε το παξιμάδι πεταλούδα.

► **Εικ.43:** 1. Παξιμάδι πεταλούδα

4. Μετακινήστε το εργαλείο με τον ίσιο οδηγό ισόπεδο με το πλάι του τεμαχίου εργασίας.

► **Εικ.44**

Εάν η απόσταση (Α) μεταξύ της πλευράς του τεμαχίου εργασίας και της θέσης κοπής είναι πολύ πλατιά για τον ίσιο οδηγό ή εάν η πλευρά του τεμαχίου εργασίας δεν είναι ευθεία, δεν μπορεί να χρησιμοποιηθεί ο ίσιος οδηγός.

Σε αυτή την περίπτωση, στερεώστε καλά μια ίσια σανίδα στο τεμάχιο εργασίας και χρησιμοποιήστε την ως οδηγό δίπλα στη βάση κουρευτικού περιθωρίων. Τροφοδοτήστε το εργαλείο προς την κατεύθυνση του βέλους.

► **Εικ.45**

Χρήση του ίσιου οδηγού για κυκλική εργασία

Για κυκλική εργασία, συναρμολογήστε τον ίσιο οδηγό όπως απεικονίζεται στην εικόνα. Η ελάχιστη και μέγιστη ακτίνα των κύκλων που θα κοπούν (απόσταση μεταξύ του κέντρου του κύκλου και του κέντρου της φρέζας) είναι ως εξής:

- Ελάχιστο: 70 mm
- Μέγιστο: 221 mm

Για την κοπή κύκλων με διάμετρο μεταξύ 70 mm και 121 mm

► **Εικ.46:** 1. Κεντρική οπή

Για την κοπή κύκλων με διάμετρο μεταξύ 121 mm και 221 mm

► **Εικ.47:** 1. Κεντρική οπή

ΠΑΡΑΤΗΡΗΣΗ: Δεν είναι δυνατή η κοπή κύκλων με ακτίνα από 172 mm έως 186 mm χρησιμοποιώντας αυτόν τον οδηγό.

Ευθυγραμμίστε την κεντρική οπή στον ίδιο οδηγό με το κέντρο του κύκλου που θα κοπεί. Καρφώστε ένα καρφι με διάμετρο μικρότερη από 6 mm στην κεντρική οπή για να ασφαλίσετε τον ίσιο οδηγό. Περιστρέψτε το εργαλείο γύρω από το καρφι δεξιόστροφα.

► **Εικ.48:** 1. Καρφι 2. Κεντρική οπή

Χρήση του οδηγού ιχναρίου

Προαιρετικό εξάρτημα

Ο οδηγός ιχναρίου επιτρέπει την επαναληπτική κοπή με μοτίβα ιχναρίου, χρησιμοποιώντας ιχνάριο.

1. Χαλαρώστε τις βίδες στην πλάκα βάσης και μετά βγάλτε την πλάκα βάσης από τη βάση κουρευτικού περιθωρίων.

2. Τοποθετήστε τον οδηγό ιχναρίου στη βάση και μετά συνδέστε την πλάκα βάσης σφίγγοντας τις βίδες.

► **Εικ.49:** 1. Πλάκα βάσης 2. Οδηγός ιχναρίου

3. Τοποθετήστε το εργαλείο στο ιχνάριο και μετακινήστε το εργαλείο με τον οδηγό ιχναρίου να ολισθαίνει κατά μήκος της πλευράς του ιχναρίου.

► **Εικ.50**

ΠΑΡΑΤΗΡΗΣΗ: Το πραγματικό μέγεθος κοπής στο τεμάχιο εργασίας είναι λίγο διαφορετικό από το ιχναρίο. Η διαφορά είναι η απόσταση (X) μεταξύ της φρέζας κουρευτικού περιθωρίων και της εξωτερικής πλευράς του οδηγού ιχναρίου. Η απόσταση (X) μπορεί να υπολογιστεί με τη χρήση της παρακάτω εξίσωσης:

Απόσταση (X) = (εξωτερική διάμετρος του οδηγού ιχναρίου - διάμετρος φρέζας κουρευτικού περιθωρίων) / 2

- **Εικ.51:** 1. Φρέζα κουρευτικού περιθωρίων
2. Οδηγός ιχναρίου 3. Απόσταση (X)
4. Εξωτερική διάμετρος του οδηγού ιχναρίου

Χρήση του οδηγού κουρευτικού περιθωρίων

Προαιρετικό εξάρτημα

Ο οδηγός κουρευτικού περιθωρίων επιτρέπει το κόψιμο περιθωρίων σε καμπύλες πλευρές, όπως ξυλόφυλλα επίπλων, μετακινώντας τον κύλινδρο οδήγησης κατά μήκος του πλαινίου του τεμαχίου εργασίας.

► **Εικ.52**

1. Χαλαρώστε τη βίδα σύσφιξης, μετά τοποθετήστε τον οδηγό κουρευτικού στη βάση κουρευτικού περιθωρίων και μετά σφίξτε τη βίδα σύσφιξης.

► **Εικ.53:** 1. Βίδα σύσφιξης

2. Χαλαρώστε τη βίδα σύσφιξης και ρυθμίστε την απόσταση μεταξύ της φρέζας κουρευτικού περιθωρίων και του οδηγού κουρευτικού περιθωρίων περιστρέφοντας τη βίδα ρύθμισης (1 mm ανά στροφή). Στην επιθυμητή απόσταση, σφίξτε τη βίδα σύσφιξης για να ασφαλίσετε τον οδηγό κουρευτικού περιθωρίων.

► **Εικ.54:** 1. Βίδα ρύθμισης 2. Βίδα σύσφιξης

3. Μετακινήστε το εργαλείο με τον κύλινδρο οδήγησης να εφάπτεται με το πλάι του τεμαχίου εργασίας.

► **Εικ.55:** 1. Τεμάχιο εργασίας 2. Φρέζα 3. Κύλινδρος οδήγησης

Χρήση του εργαλείου με τη βάση κλίσης

Η βάση κλίσης είναι βολική για λειτουργία στρογγυλέματος. Χαλαρώστε τις χειρόβιδες, γείρτε το εργαλείο στην επιθυμητή γωνία και μετά σφίξτε τις χειρόβιδες.

Στερεώστε καλά μια ίσια σανίδα στο τεμάχιο εργασίας και χρησιμοποιήστε την ως οδηγό δίπλα στη βάση κλίσης. Τροφοδοτήστε το εργαλείο προς την κατεύθυνση του βέλους.

► **Εικ.56:** 1. Χειρόβίδα

Χρήση της πλάκας βάσης κλίσης με τη βάση κουρευτικού περιθωρίων

Για να χρησιμοποιήσετε τη βάση κουρευτικού περιθωρίων με τετράγωνη πλάκα βάσης, βγάλτε την πλάκα βάσης από τη βάση κλίσης και μετά συνδέστε τη στη βάση κουρευτικού περιθωρίων.

► **Εικ.57:** 1. Πλάκα βάσης κλίσης 2. Πλάκα βάσης κουρευτικού περιθωρίων

Χρήση του εργαλείου με τη βάση αντιστηρίγματος

Η βάση αντιστηρίγματος είναι βολική για εργασία σε μια περιοχρή περιορισμένου χώρου, όπως μια γωνία.

► **Εικ.58**

Χρήση της βάσης κουρευτικού περιθωρίων με την πλάκα βάσης αντιστηρίγματος και τη λαβή

Η πλάκα βάσης αντιστηρίγματος μπορεί επίσης να χρησιμοποιηθεί με μια βάση κουρευτικού περιθωρίων και ένα εξάρτημα λαβής (προαιρετικό αξεσουάρ) για μεγαλύτερη σταθερότητα.

1. Χαλαρώστε τις βίδες στην πλάκα βάσης και μετά βγάλτε την πλάκα βάσης από τη βάση αντιστηρίγματος.

► **Εικ.59:** 1. Πλάκα βάσης αντιστηρίγματος 2. Πλάκα βάσης κουρευτικού περιθωρίων

2. Συνδέστε την πλάκα βάσης αντιστηρίγματος με τη βάση κουρευτικού περιθωρίων σφίγγοντας τις βίδες.

3. Συνδέστε το εξάρτημα λαβής και τη λαβή τύπου ράβδου με την πλάκα βάσης αντιστηρίγματος σφίγγοντας τις βίδες.

► **Εικ.60:** 1. Λαβή τύπου ράβδου 2. Εξάρτημα λαβής

Η λαβή τύπου κουμπιού που αφαιρέθηκε από τη βάση βύθισης μπορεί να τοποθετηθεί στη βάση αντιστηρίγματος αντί για τη λαβή τύπου ράβδου.

► **Εικ.61:** 1. Βίδα 2. Λαβή τύπου κουμπιού

Χρήση του εργαλείου με τη βάση βύθισης

Πάντα να κρατάτε τις λαβές καλά, και με τα δύο χέρια, κατά τη διάρκεια της λειτουργίας. Να χρησιμοποιείτε το εργαλείο με τον ίδιο τρόπο όπως τη βάση κουρευτικού περιθωρίων.

Χρήση του ίσιου οδηγού

Προαιρετικό εξάρτημα

1. Τοποθετήστε τον ίσιο οδηγό στον υποδοχέα οδηγού σφίγγοντας το παξιμάδι πεταλούδα. Εισαγάγετε τον υποδοχέα οδηγού στις οπές στη βάση βύθισης και μετά σφίξτε τις πεταλούδες.

► **Εικ.62:** 1. Πεταλούδα 2. Υποδοχέας οδηγού
3. Παξιμάδι πεταλούδα 4. Ίσιος οδηγός

2. Χαλαρώστε το παξιμάδι πεταλούδα στον ίσιο οδηγό και ρυθμίστε την απόσταση μεταξύ της φρέζας και του ίσιου οδηγού. Στην επιθυμητή απόσταση, σφίξτε το παξιμάδι πεταλούδα.

► **Εικ.63:** 1. Παξιμάδι πεταλούδα

3. Να χρησιμοποιείτε το εργαλείο με τον ίδιο τρόπο όπως τον ίσιο οδηγό για τη βάση κουρευτικού περιθωρίων.

► **Εικ.64**

Χρήση του οδηγού ιχναρίου

Προαιρετικό εξάρτημα

- Χαλαρώστε τις βίδες στη βάση και βγάλτε τις. Τοποθετήστε τον οδηγό ιχναρίου στη βάση και μετά σφίξτε τις βίδες.
► **Εικ.65:** 1. Βίδα 2. Οδηγός ιχναρίου
- Να χρησιμοποιείτε το εργαλείο με τον ίδιο τρόπο όπως τον οδηγό ιχναρίου για τη βάση κουρευτικού περιθωρίων.
► **Εικ.66**

Χρήση του παράλληλου κανόνα

Ο παράλληλος κανόνας χρησιμοποιείται αποτελεσματικά για ίσιες κοπές κατά τις λειτουργίες στρογγυλέματος ή κατασκευής αυλακιών. Ρυθμίστε την απόσταση μεταξύ της φρέζας και του παράλληλου κανόνα. Στην επιθυμητή απόσταση, σφίξτε τις πεταλούδες για να ασφαλίσετε τον παράλληλο κανόνα. Κατά την κοπή, να μετακινείτε το εργαλείο με τον παράλληλο κανόνα ισόπεδο με την πλευρά του τεμαχίου εργασίας.

► **Εικ.67**

Αν η απόσταση (Α) μεταξύ της πλευράς του τεμαχίου εργασίας και της θέσης κοπής είναι πολύ πλατιά για τον παράλληλο κανόνα, ή αν η πλευρά του τεμαχίου εργασίας δεν είναι ευθεία, δεν μπορεί να χρησιμοποιηθεί ο παράλληλος κανόνας.

Σε αυτή την περίπτωση, στερεώστε καλά μια ίσια σανίδα στο τεμάχιο εργασίας και χρησιμοποιήστε την ως οδηγό επάνω στη βάση βύθισης. Τροφοδοτήστε το εργαλείο προς την κατεύθυνση του βέλους.

► **Εικ.68**

Αλλαγή της λαβής τύπου κουμπιού με τη λαβή τύπου ράβδου

Για να εγκαταστήσετε τη λαβή τύπου ράβδου στη βάση βύθισης, χαλαρώστε τη βίδα της λαβής τύπου κουμπιού, βγάλτε τη λαβή τύπου κουμπιού και μετά τοποθετήστε τη λαβή τύπου ράβδου σφίγγοντάς τη.

► **Εικ.69:** 1. Λαβή τύπου κουμπιού 2. Βίδα 3. Λαβή τύπου ράβδου

ΣΥΝΤΗΡΗΣΗ

ΠΡΟΣΟΧΗ: Πριν την εκτέλεση εργασιών επιθεώρησης ή συντήρησης, πάντοτε να βεβαιώνετε ότι η συσκευή απενεργοποιήθηκε και η κασέτα μπαταριών έχει αφαιρεθεί.

ΕΙΔΟΠΟΙΗΣΗ: Μην χρησιμοποιείτε ποτέ βενζίνη, πετρελαϊκό αιθέρα, διαλυτικό, αλκοόλη ή παρόμοιες ουσίες. Μπορεί να προκληθεί αποχρωματισμός, παραμόρφωση ή ρωγμές.

Για τη διατήρηση της ΑΣΦΑΛΕΙΑΣ και ΑΞΙΟΠΙΣΤΙΑΣ του προϊόντος, οι επισκευές και οποιαδήποτε άλλη εργασία συντήρησης ή ρύθμισης πρέπει να εκτελούνται από εξουσιοδοτημένα ή εργοστασιακά κέντρα εξυπηρέτησης της Makita, χρησιμοποιώντας πάντοτε ανταλλακτικά της Makita.

ΠΡΟΑΙΡΕΤΙΚΑ ΕΞΑΡΤΗΜΑΤΑ

ΠΡΟΣΟΧΗ: Αυτά τα εξαρτήματα ή προσαρτήματα συνιστώνται για χρήση με το εργαλείο Makita που περιγράφηκε στις οδηγίες αυτές. Η χρήση οποιωνδήποτε άλλων εξαρτημάτων ή προσαρτημάτων μπορεί να προκαλέσει κίνδυνο τραυματισμού σε άτομα. Να χρησιμοποιείτε τα εξαρτήματα ή προσαρτήματα μόνο για την χρήση που προορίζονται.

Εάν χρειάζεστε οποιαδήποτε βοήθεια για περισσότερες πληροφορίες σε σχέση με αυτά τα εξαρτήματα, αποτανθείτε στο τοπικό σας κέντρο εξυπηρέτησης Makita.

- Φρέζες σχηματισμού ίσιων γραμμών και αυλακιών
- Φρέζες σχηματισμού άκρων
- Φρέζες περικοπής φύλλων
- Διάταξη ίσιου οδηγού
- Διάταξη οδηγού του κουρευτικού περιθωρίων
- Διάταξη βάσης κουρευτικού περιθωρίων
- Διάταξη βάσης κλίσης
- Διάταξη βάσης βύθισης
- Διάταξη βάσης αντιστηρίγματος
- Εξάρτημα λαβής
- Οδηγός ιχναρίου
- Κώνος κολάρου 6 mm
- Κώνος κολάρου 6,35 mm (1/4")
- Κώνος κολάρου 8 mm
- Κώνος κολάρου 9,53 mm (3/8")
- Κλειδί 13
- Κλειδί 22
- Γνήσια μπαταρία και φορτιστής της Makita

ΠΑΡΑΤΗΡΗΣΗ: Μερικά στοιχεία στη λίστα μπορεί να συμπεριλαμβάνονται στη συσκευασία εργαλείου ως στάνταρ εξαρτήματα. Μπορεί να διαφέρουν ανάλογα με τη χώρα.

Φρέζες κουρευτικού περιθωρίων

Ευθεία φρέζα

► **Εικ.70**

	D	A	L1	L2
20	6	20	50	15
20E	1/4"			
8	8	8	60	25
8	6			
8E	1/4"			
6	6	6	50	18
6E	1/4"			

Μονάδα: mm

Φρέζα αυλάκωσης σε σχήμα «U»

► **Εικ.71**

	D	A	L1	L2	R
6	6	6	50	18	3
6E	1/4"				

Μονάδα: mm

Φρέζα αυλάκωσης σε σχήμα «V»

► Εικ.72

D	A	L1	L2	θ
1/4"	20	50	15	90°

Μονάδα: mm

Φρέζα επίπεδης κοπής στο σημείο διάνοιξης

► Εικ.73

	D	A	L1	L2	L3
8	8	8	60	20	35
6	6	6		18	28
6E	1/4"				

Μονάδα: mm

Φρέζα διπλής επίπεδης κοπής στο σημείο διάνοιξης

► Εικ.74

	D	A	L1	L2	L3	L4
8	8	8	80	95	20	25
6	6	6	70	40	12	14
6E	1/4"					

Μονάδα: mm

Φρέζα στρογγύλευσης γωνιών

► Εικ.75

	D	A1	A2	L1	L2	L3	R
8R	6	25	9	48	13	5	8
8RE	1/4"						
4R	6	20	8	45	10	4	4
4RE	1/4"						

Μονάδα: mm

Φρέζα λοξότμησης

► Εικ.76

D	A	L1	L2	L3	θ
6	23	46	11	6	30°
6	20	50	13	5	45°
6	20	49	14	2	60°

Μονάδα: mm

Φρέζα για κοιλώματα

► Εικ.77

D	A	L1	L2	R
6	20	43	8	4
6	25	48	13	8

Μονάδα: mm

Φρέζα επίπεδης κοπής με σφαιρικό έδρανο

► Εικ.78

D	A	L1	L2
6	10	50	20
1/4"			

Μονάδα: mm

Φρέζα στρογγύλευσης γωνιών με σφαιρικό έδρανο

► Εικ.79

D	A1	A2	L1	L2	L3	R
6	15	8	37	7	3,5	3
6	21		40	10		
1/4"						

Μονάδα: mm

Φρέζα λοξότμησης με σφαιρικό έδρανο

► Εικ.80

D	A1	A2	L1	L2	θ
6	26	8	42	12	45°
1/4"					
6	20		41	11	60°

Μονάδα: mm

Φρέζα για αυλάκωμα με σφαιρικό έδρανο

► Εικ.81

D	A1	A2	A3	L1	L2	L3	R
6	20	12	8	40	10	5,5	4
6	26			42	12	4,5	7

Μονάδα: mm

Φρέζα για κοιλώματα με σφαιρικό έδρανο

► Εικ.82

D	A1	A2	A3	A4	L1	L2	L3	R
6	20	18	12	8	40	10	5,5	3
6	26	22			42	12	5	5

Μονάδα: mm

Φρέζα για ρωμαϊκό οξυκόρυφο τόξο με σφαιρικό έδρανο

► Εικ.83

D	A1	A2	L1	L2	L3	R1	R2
6	20	8	40	10	4,5	2,5	4,5
6	26		42	12		3	6

Μονάδα: mm

TEKNİK ÖZELLİKLER

Model:	DRT50
Halka mandren kapasitesi	6 mm, 8 mm, 1/4" veya 3/8"
Yüksüz hız	10.000 - 30.000 min ⁻¹
Tam uzunluk	226 mm
Nominal voltaj	D.C. 18 V
Standart batarya kartuşu	BL1815N / BL1820 / BL1820B / BL1830 / BL1830B / BL1840 / BL1840B / BL1850 / BL1850B / BL1860B
Net ağırlık	1,8 - 2,1 kg

- Sürekli yapılan araştırma ve geliştirmelerden dolayı, burada belirtilen özellikler önceden bildirilmeksizin değiştirilebilir.
- Özellikler ve batarya kartuşu ülkeden ülkeye değişebilir.
- Ağırlık, ekli aksesuar/aksesuarlara ve batarya kartuşuna bağlı olarak farklılık gösterebilir. EPTA-Prosedürü 01/2014'e göre en hafif ve en ağır kombinasyonlar tabloda verilmiştir.

Kullanım amacı

Bu alet ahşap, plastik ve benzeri malzemelerin kenarlarını tıraşlama ve şekil verme amacıyla tasarlanmıştır.

Gürültü

Tipik A-ağırlıklı gürültü düzeyi (EN60745 standardına göre belirlenen):

Ses basınç seviyesi (L_{PA}): 78 dB (A)

Belirsizlik (K): 3 dB (A)

UYARI: Kulak koruyucuları takın.

Titreşim

Titreşim toplam değeri (üç eksenli vektör toplamı) (EN60745 standardına göre hesaplanan):

Çalışma modu: yüksüz dönme

Titreşim emisyonu (a_n): 2,5 m/s² den az

Belirsizlik (K) : 1,5 m/s²

Çalışma modu: MDF'de oluk kesme

Titreşim emisyonu (a_n): 4,5 m/s²

Belirsizlik (K) : 1,5 m/s²

NOT: Beyan edilen titreşim emisyon değeri standart test yönteminde uygun şekilde ölçülmüştür ve bir aleti bir başkasıyla karşılaştırmak için kullanılabilir.

NOT: Beyan edilen titreşim emisyon değeri bir ön maruz kalma değerlendirmesi olarak da kullanılabilir.

UYARI: Bu elektrikli aletin gerçek kullanımı sırasındaki titreşim emisyonu aletin kullanım biçimlerine bağlı olarak beyan edilen emisyon değerinden farklı olabilir.

UYARI: Gerçek kullanım koşullarındaki maruz kalmanın bir tahmini hesaplaması temelinde operatörü koruyacak güvenlik önlemlerini mutlaka belirleyin (çalışma döngüsü içerisinde aletin kapalı olduğu ve aktif durumda olmasının yanı sıra boşta çalıştığı zamanlar gibi, bütün zaman dilimleri göz önünde bulundurularak değerlendirilmelidir).

EC Uygunluk Beyanı

Sadece Avrupa ülkeleri için

EC uygunluk beyanı bu kullanım kılavuzuna Ek A olarak eklenmiştir.

GÜVENLİK UYARILARI

Genel elektrikli alet güvenliği uyarıları

UYARI: Bu elektrikli aletle birlikte sunulan tüm güvenlik uyarılarını, talimatları, çizimleri ve teknik özellikleri okuyun. Aşağıda verilen talimatlara uyulmaması elektrik şoku, yangın ve/veya ciddi yaralanmalar ile sonuçlanabilir.

Tüm uyarıları ve talimatları iletide başvurmak için saklayın.

Uyarılardaki "elektrikli alet" terimi ile ya prizden çalışan (kordonlu) elektrikli aletinizi ya da kendi aküsü ile çalışan (kordonsuz) elektrikli aletinizi kasteditmektedir.

Akülü şekil verme testeresi güvenlik uyarıları

1. Kesici alet gizli kablolarla temas edebileceği için, elektrikli aleti yalıtımlı kavrama yüzeylerinden tutun. "Akımlı" bir telin kesilmesi elektrikli aletin yalıtımsız metal kısımlarını "akımlı" hale getirebilir ve kullanıcıyı elektrik şokuna maruz bırakabilir.
2. İş parçasını sabit bir platforma bağlamak ve desteklemek için mengine veya başka bir pratik yol kullanın. İş parçasını elle tutmak ya da vücudunuzla desteklemek sabit durmamasına ve kontrolü kaybetmenize neden olabilir.
3. Uzun süreli kullanımlarda kulak koruyucu kullanın.
4. Şekil verme testeresinin uçlarını dikkatle tutun.

5. İşlemden önce şekil verme testeresinin uçlarını çatlak veya zarar var mı dikkatlice kontrol edin. Çatlak veya zarar görmüş uçları hemen değiştirin.
6. Çivileri kesmekten sakının. İşlemden önce iş parçasının üzerinde çivi olup olmadığını kontrol edin ve varsa hepsini çıkarın.
7. Aleti sıkı tutun.
8. Ellerinizi dönen parçalardan uzak tutun.
9. Anahtar açılmadan önce şekil verme testeresinin ucunun iş parçasına temas etmediğinden emin olun.
10. Gerçek iş parçası üzerinde aleti kullanmadan önce, bir süre çalıştırın. Ucu yanlış takıldığını gösterebilecek titreşim ve sallantılar olup olmadığına dikkat edin.
11. Şekil verme testeresinin ucunun dönüş yönüne ve besleme yönüne dikkat edin.
12. Aleti çalışır durumda bırakmayın. Aleti sadece elinizde tutarken çalıştırın.
13. Aleti iş parçasından çıkarmadan önce, aleti her zaman kapatın ve şekil verme testeresinin ucunun tam olarak durmasını bekleyin.
14. Şekil verme testeresinin ucuna işlem den hemen sonra ellemeyin; çok sıcak olup derinizi yakabilir.
15. Dikkatsizlik sonucu alet kaidesine tiner, benzin, yağ ve benzeri maddelerin bulaşmasını önleyin. Bunlar alet kaidesinde çatlaklar oluşmasına neden olabilir.
16. Aletin hızına uygun, doğru mil çapına sahip şekil verme testeresi uçlarını kullanın.
17. Bazı malzemeler zehirli olabilen kimyasallar içerir. Toz yutmayı ve cilt temasını önlemek için tedbir alın. Malzeme sağlayıcısının güvenlik bilgilerine uyun.
18. Daima çalıştığınız malzeme ve yaptığınız işe uygun maske/respiratör kullanın.

BU TALİMATLARI MUHAFAZA EDİNİZ.

⚠UYARI: Ürünü kullanırken (defalarca kullanınca kazanılan) rahatlık ve tanıdıklık duygusunun ilgili ürünün güvenlik kurallarına sıkı sıkıya bağlı kalmanın yerine geçmesine İZİN VERMEYİN. YANLIŞ KULLANIM veya bu kullanma kılavuzunda belirtilen emniyet kurallarına uymama ciddi yaralanmaya neden olabilir.

Batarya kartuşu hakkında önemli güvenlik talimatları

1. Batarya kartuşunu kullanmadan önce, tüm talimatları ve (1) batarya kartuşu, (2) batarya ve (3) ürün üzerindeki tüm uyarı işaretlerini okuyun.
2. Batarya kartuşunu demonte etmeyin.
3. Çalışma süresi aşırı derecede kısalmışsa kullanmayı derhal bırakın. Aşırı ısınma, yanma riski hatta patlamaya neden olabilir.
4. Gözünüze elektrolit kaçarsa, gözlerinizi temiz suyla durulayın ve hemen tıbbi yardım alın. Görme kaybına yol açabilir.

5. Batarya kartuşuna kısa devre yaptırmayın:
 - (1) Terminallere herhangi bir iletken madde değdirmeyin.
 - (2) Batarya kartuşunu çiviler, madeni paralar, vb. gibi başka metal nesnelere aynı kaba koymaktan kaçının.
 - (3) Batarya kartuşunu yağmura ya da suya maruz bırakmayın.
 Kısa devre, büyük bir akım akışına, aşırı ısınmaya, olası yangınlara hatta bataryanın bozulmasına yol açabilir.
6. Aleti ve batarya kartuşunu sıcaklığın 50°C ya da daha yükseğe ulaştığı yerlerde saklamayın.
7. Aşırı derecede hasar görmüş ya da tamamen kullanılamaz durumda olsa bile batarya kartuşunu yakmayın. Batarya kartuşu ateşe atılırsa patlayabilir.
8. Bataryayı düşürmemeye ve çarpmamaya dikkat edin.
9. Hasarlı bataryayı kullanmayın.
10. Aletin içerdiği lityum-iyon bataryalar Tehlikeli Eşyalar Yönetmeliğinin gereksinimlerine tabidir. Ticari nakliye işlemleri için, örneğin üçüncü taraflar, nakliye acenteleri tarafından yapılan nakliyelerde, paketlenme ve etiketleme gereksinimlerine uyulmalıdır. Nakliyesi yapılacak ürünün hazırlanması için, tehlikeli maddeler konusunda uzman bir kişiye danışın. Lütfen muhtemelen daha ayrıntılı olan ulusal yönetmeliklere de uyun. Açık kontakları bantlayın ya da maskeleyin ve bataryayı paketin içinde hareket etmeyecek şekilde paketleyin.
11. Bataryanın elden çıkarılması ile ilgili yerel düzenlemelere uyunuz.

BU TALİMATLARI MUHAFAZA EDİNİZ.

⚠DİKKAT: Sadece orijinal Makita bataryalarını kullanın. Orijinal olmayan Makita bataryaları ya da üzerine değişiklik yapılmış bataryaların kullanımı bataryanın patlamasına ve sonuç olarak yangın, kişisel yaralanma ve hasara neden olabilir. Ayrıca Makita aleti ve şarj aletinin Makita tarafından sunulan garantisi de geçersiz olur.

Maksimum batarya ömrü için ipuçları

1. Batarya kartuşunu tamamen boşalmadan önce şarj edin. Aletin gücünün zayıflamaya başladığını fark ettiğinizde aleti durdurun ve batarya kartuşunu şarj edin.
2. Tam dolu bir batarya kartuşunu asla yeniden şarj etmeyin. Aşırı şarj etme bataryanın hizmet ömrünü kısaltır.
3. Batarya kartuşunu 10°C - 40°C oda sıcaklığında şarj edin. Sıcak bir batarya kartuşunu şarj etmeden önce soğumasını bekleyin.
4. Uzun bir süre (altı aydan daha fazla) kullanmadığınız durumlarda batarya kartuşunu şarj edin.

İŞLEVSEL NİTELİKLER

⚠️ DİKKAT: Alet üzerinde ayarlama veya işleyiş kontrolü yapmadan önce aletin kapalı ve batarya kartuşunun ayrılmış olduğundan daima emin olun.

Batarya kartuşunun takılması ve çıkarılması

⚠️ DİKKAT: Batarya kartuşunu takmadan ya da çıkarmadan önce aleti daima kapatın.

⚠️ DİKKAT: Batarya kartuşunu takarken veya çıkarırken aleti ve batarya kartuşunu sıkıca tutun. Aletin ve batarya kartuşunun sıkıca tutulmaması bunların düşürülmesine sebep olabilir ve alet ve batarya kartuşunun zarar görmesine ya da ciddi yaralanmasına yol açabilir.

► **Şek.1:** 1. Kırmızı gösterge 2. Düğme 3. Batarya kartuşu

Batarya kartuşunu çıkarmak için, kartuşun ön tarafındaki düğmeyi kaydırarak kartuşu aletten çıkarın.

Batarya kartuşunu takmak için, batarya kartuşu üzerindeki dili yuvanın çentiği ile hizalayın ve yerine oturtun. Hafif bir tık sesi duyulana kadar itip yerine tam oturmasını sağlayın. Düğmenin üst tarafındaki kırmızı gösterge görünüyorsa tam yerine kilitlememiş demektir.

⚠️ DİKKAT: Batarya kartuşunu daima kırmızı gösterge görünmeyecek şekilde tam olarak takın. Yerine tam oturmazsa, aletten yanlışlıkla düşebilir, sizin ya da çevrenizdeki kişilerin yaralanmasına neden olabilir.

⚠️ DİKKAT: Batarya kartuşunu zorlayarak takmayın. Kartuş kolay bir şekilde kaymıyorsa doğru yerleştirilmemiş demektir.

Kalan batarya kapasitesinin gösterilmesi

Sadece göstergeli batarya kartuşları için

► **Şek.2:** 1. Gösterge lambaları 2. Kontrol düğmesi

Kalan batarya kapasitesini göstermesi için batarya kartuşu üzerindeki kontrol düğmesine basın. Gösterge lambaları birkaç saniye yanar.

Gösterge lambaları			Kalan kapasite
Yanıyor	Kapalı	Yanıp sönmüyor	
■	□	■	%75 ila %100
■ ■ ■ ■	□	■	
■ ■ ■ □	□	■	%50 ila %75
■ ■ □ □	□	■	%25 ila %50
■ □ □ □	□	■	%0 ila %25
■ □ □ □	□	■	Bataryayı şarj edin.
■ ■ □ □	□	■	Batarya arızalanmış olabilir.
□ □ ■ ■	□	■	

NOT: Kullanım koşullarına ve ortam sıcaklığına bağlı olarak, gösterilen değer gerçek kapasiteden biraz farklılık gösterebilir.

Alet/batarya koruma sistemi

Bu alet bir alet/batarya koruma sistemi ile donatılmıştır. Bu sistem motora giden gücü otomatik olarak keserek uzun alet ve batarya ömrü sağlar. Alet veya batarya için aşağıdaki durumlardan biri söz konusu olduğunda aletin işleyişi otomatik olarak durur:

Aşırı yük koruması

Batarya, anormal derecede yüksek akım çekmesine neden olacak şekilde kullanıldığında, alet hiçbir belirti vermeden otomatik olarak durur. Bu durumda, aleti kapatın ve aletin aşırı yüklenmesine neden olan uygulamayı durdurun. Daha sonra aleti yeniden başlaması için çalıştırın.

Aşırı ısınma koruması

Alet veya batarya aşırı ısındığında otomatik olarak durur ve lamba yanıp söner. Bu durumda, yeniden çalıştırmadan önce aletin ve bataryanın soğumasını bekleyin.

Aşırı deşarj koruması

Batarya kapasitesi yeterli olmadığında, alet otomatik olarak durur. Bu durumda, bataryayı aletten çıkarın ve bataryayı tekrar şarj edin.

Anahtar işlemi

Aleti açmak için kilitleme/açma düğmesine basın. Alet bekleme moduna geçer. Aleti çalıştırmak için bekleme modunda başlatma/durdurma düğmesine basın. Aleti durdurmak için başlatma/durdurma düğmesine tekrar basın. Alet bekleme moduna geçer. Aleti kapatmak için bekleme modunda kilitleme/açma düğmesine basın.

► **Şek.3:** 1. Kilitleme/açma düğmesi 2. Başlatma/durdurma düğmesi

NOT: Alet bekleme modunda hiçbir işlem yapılmadan 10 saniye kırılırsa alet otomatik olarak kapanır ve lamba söner.

NOT: Aleti, çalışırken kilitleme/açma düğmesine basarak da durdurabilir ve kapatabilirsiniz.

Ön lambanın yakılması

⚠️ DİKKAT: Işığa bakmayın ya da ışık kaynağını doğrudan görmeyin.

Lambayı açmak için kilitleme/açma düğmesine basın. Lambayı kapatmak için kilitleme/açma düğmesine tekrar basın.

ÖNEMLİ NOT: Alet fazla ısındığında lamba yanıp söner. Aleti yeniden çalıştırmadan önce tamamen soğutun.

NOT: Lamba lensini temizlemek için kuru bir bez kullanın. Aydınlatmayı azaltacağı için lamba lensinin çizilmemesine dikkat edin.

Hız ayarlama kadranı

Aletin devir hızı, hız ayarlama kadranı çevrilerek değiştirilebilir. Aşağıdaki tabloda kadran üzerindeki rakam ve buna karşılık gelen devir hızı gösterilmiştir.

► **Şek.4:** 1. Hız ayarlama kadranı

Rakam	Hız
1	10.000 min ⁻¹
2	15.000 min ⁻¹
3	20.000 min ⁻¹
4	25.000 min ⁻¹
5	30.000 min ⁻¹

ÖNEMLİ NOT: Alet düşük hızda uzun süre kesintisiz olarak çalıştırılırsa motor aşırı yüklenerek aletin arızalanmasına neden olur.

ÖNEMLİ NOT: Hız kadranını "5"ten "1"e değiştirirken kadranı saatin aksi yönünde çevirin. Kadranı saat yönünde zorlayarak çevirmeyin.

Elektronik fonksiyonu

Alet kolay kullanım için elektronik fonksiyonlarla donatılmıştır.

- Sabit hız kontrolü
Hız kontrol fonksiyonu, yük koşullarından bağımsız olarak sabit devir hızı sağlar.
- Yumuşak başlatma
Yumuşak başlatma fonksiyonu başlatma şokunu en alt düzeye indirir ve aletin daha sarsıntısız başlamasını sağlar.

Kesim derinliğinin ayarlanması

Kesim derinliğini ayarlamak için kilitleme kolunu açın, daha sonra ayar vidasını çevirerek aletin kaidesini yukarı veya aşağı alın. Ayar sonunda kilitleme kolunu sıkıca kapatın.

► **Şek.5:** 1. Kilitleme kolu 2. Ayar vidası

ÖNEMLİ NOT: Kilitleme kolunu kapattıktan sonra alet sabitlenmezse altıgen somunu sıkın ve ardından kilitleme kolunu kapatın.

► **Şek.6:** 1. Altıgen somun

Kesim derinliğinin daldırmalı kaide ile ayarlanması

İsteğe bağlı aksesuarlar

1. Aleti düz bir zemine yerleştirin.
2. Durdurucu kaidesini çevirerek durdurucu vidasını seçin.
► **Şek.7:** 1. Durdurucu vidası 2. Durdurucu kaidesi
3. Durdurucu çubuk sabitleme somununu gevşetin, daha sonra besleme düğmesine basarken durdurucu çubuğu yukarı çekin.
► **Şek.8:** 1. Durdurucu çubuk 2. Sabitleme somunu 3. Besleme düğmesi
4. Şekil verme testeresi ucu düz zemine dokunana dek aleti aşağı bastırın ve daha sonra sabitleme kolunu çevirerek aleti sabitleyin.
► **Şek.9:** 1. Sabitleme kolu 2. Şekil verme testeresi ucu

5. Besleme düğmesine basarken durdurucu vidasına değene kadar durdurucu çubuğu aşağı ittirin.

► **Şek.10:** 1. Durdurucu çubuk 2. Durdurucu vidası 3. Besleme düğmesi

6. Derinlik göstergesini, gösterge ölçek üzerinde "0"ı gösterecek şekilde kaydırın.

► **Şek.11:** 1. Derinlik göstergesi

7. Besleme düğmesine basarken durdurucu çubuğu yukarı çekerek kesim derinliğini ayarlayın.

► **Şek.12:** 1. Durdurucu çubuk 2. Besleme düğmesi

8. Hassas kesim derinliği ayarı yapmak için durdurucu çubuk üzerindeki kadranı "0"ı gösterecek şekilde çevirin.

► **Şek.13:** 1. Kadran

9. İstenen derinliği elde etmek için durdurucu çubuğun başını çevirin. Derinliği artırmak için başı saatin aksi yönünde çevirin. Derinliği azaltmak için başı saat yönünde çevirin.

► **Şek.14:** 1. Durdurucu çubuk başı

10. Durdurucu çubuk sabitleme somununu sıkın.

► **Şek.15:** 1. Sabitleme somunu

11. Sabitleme kolunu bırakın.

► **Şek.16:** 1. Sabitleme kolu

MONTAJ

⚠DİKKAT: Alet üzerinde herhangi bir iş yapmadan önce aletin kapalı ve batarya kartuşunun ayrılmış olduğundan daima emin olun.

Şekil verme testeresi ucunun takılması veya çıkarılması

ÖNEMLİ NOT: Ucu takmadan tutucu pens somununu sıkmayın. Tutucu pens kovanı kırılabilir.

Şekil verme testeresi ucunu, tutucu pens kovanının içine sonuna kadar sokun. Mil kilidine basın ve tutucu pens somununu anahtarla sıkın veya iki anahtarla tutucu pens somununu iyice sıkın. Ucu çıkarmak için, takma işleminin tersini uygulayın.

► **Şek.17:** 1. Mil kilidi 2. Gevşet 3. Sıkıla 4. Anahtar 5. Tutucu pens somunu

► **Şek.18:** 1. Anahtar 2. Gevşet 3. Sıkıla 4. Tutucu pens somunu

NOT: Şekil verme testeresi ucunu takarken tutucu pens somununu sıkıldığında mil kilidi orijinal konumuna dönmeyebilir. Aleti çalıştırdığınızda mil kilidi orijinal konumuna döner.

► **Şek.19:** 1. Mil kilidi

Şekil verme testeresi kaidesinin takılması veya çıkarılması

1. Şekil verme testeresi kaidesinin kilitleme kolunu açın, ardından aletin üzerindeki kanalı şekil verme testeresi kaidesinin üzerindeki çıkıntı ile hizalayarak aleti şekil verme testeresi kaidesine sokun.

► **Şek.20:** 1. Kilitleme kolu

2. Kilitleme kolunu kapatın.

3. Toz ağızlığını şekil verme testeresi kaidesine takın ve daha sonra el vidasını sıkın.

► **Şek.21:** 1. Toz ağızlığı 2. El vidası

► **Şek.22**

Kaideyi çıkarmak için, takma işleminin tersini uygulayın.

⚠ DİKKAT: Aleti şekil verme testeresi kaidesi ile kullanırken şekil verme testeresi kaidesine toz ağızlığını mutlaka takın.

Yatırma kaidesinin takılması veya çıkarılması

İsteğe bağlı aksesuar

1. Yatırma kaidesinin kilitleme kolunu açın, ardından aletin üzerindeki kanalı yatırma kaidesinin üzerindeki çıkıntı ile hizalayarak aleti yatırma kaidesine sokun.

► **Şek.23:** 1. Kilitleme kolu

2. Kilitleme kolunu kapatın.

Kaideyi çıkarmak için, takma işleminin tersini uygulayın.

Kaydırma kaidesinin takılması veya çıkarılması

İsteğe bağlı aksesuar

1. Mil kilidine basın, ardından tutucu pens somununu gevşetin.

► **Şek.24:** 1. Tutucu pens somunu 2. Mil kilidi
3. Anahtar

2. Tutucu pens somununu ve tutucu pens kovanını çıkarın.
► **Şek.25:** 1. Tutucu pens somunu 2. Tutucu pens kovani

3. Mil kilidine basıp kasnağı anahtarla sıkarak kasnağı alete monte edin.

► **Şek.26:** 1. Anahtar 2. Kasnak 3. Mil kilidi

4. Kaide plakası üzerindeki vidaları gevşetin ve daha sonra kaide plakasını çıkarın.

► **Şek.27:** 1. Kaide plakası

5. Kaydırma kaidesinin kilitleme kolunu açın, daha sonra aleti kaydırma kaidesine sokun.

► **Şek.28:** 1. Kilitleme kolu

6. Kayışı elle çevirerek kasnağa takın.

► **Şek.29:** 1. Kasnak 2. Kayış

7. Kilitleme kolunu kapatın.

► **Şek.30:** 1. Kilitleme kolu

8. Vidaları sıkarak kaide plakasını takın.

► **Şek.31:** 1. Kaide plakası

9. Tutucu pens kovanını ve şekil verme testeresi ucunu kaydırma kaidesine takın ve ardından tutucu pens somununu sıkın.

► **Şek.32:** 1. Şekil verme testeresi ucu 2. Tutucu pens somunu 3. Tutucu pens kovani

10. Altıgen anahtarları kaydırma kaidesinin deliğine takın ve ardından tutucu pens somununu anahtarla sıkın.

► **Şek.33:** 1. Tutucu pens somunu 2. Anahtar 3. Altıgen anahtar

Kaideyi çıkarmak için, takma işleminin tersini uygulayın.

NOT: Kayışı kasnağa, şekilde gösterildiği gibi kaide plakasını çıkarmadan da takabilirsiniz.

► **Şek.34:** 1. Kasnak 2. Kayış

Daldırmalı kaidenin takılması veya çıkarılması

İsteğe bağlı aksesuar

1. Daldırmalı kaidenin kilitleme kolunu açın, ardından aletin üzerindeki kanalı daldırmalı kaidenin üzerindeki çıkıntı ile hizalayarak aleti daldırmalı kaideye sonuna kadar sokun.

► **Şek.35:** 1. Kilitleme kolu

2. Kilitleme kolunu kapatın.

Kaideyi çıkarmak için, takma işleminin tersini uygulayın.

Daldırmalı kaideye paralel cetvelin takılması veya çıkarılması

İsteğe bağlı aksesuar

Kılavuz çubukları daldırmalı kaidedeki deliklere sokun ve daha sonra kelebek civataları sıkın. Cetveli çıkarmak için, takma işleminin tersini uygulayın.

► **Şek.36:** 1. Kelebek civata 2. Kılavuz çubuk

Daldırmalı kaideye toz ağızlığının takılması veya çıkarılması

Toz ağızlığını daldırmalı kaideye, toz ağızlığının üzerindeki çıkıntı daldırmalı kaidedeki çentiğe oturacak şekilde sokun ve daha sonra toz ağızlığı üzerindeki el vidasını sıkın. Ağızlığı çıkarmak için, takma işleminin tersini uygulayın.

► **Şek.37:** 1. Çıkıntı 2. Toz ağızlığı 3. El vidası

► **Şek.38**

KULLANIM

Aletin şekil verme testeresi kaidesi ile kullanılması

Aletin kaidesini, iş parçasının üzerine şekil verme testeresi ucu temas etmeyecek şekilde koyun. Aleti çalıştırın ve uç tam hızla ulaşana kadar bekleyin. Aleti iş parçası yüzeyi üzerinde ileri doğru hareket ettirin. Aleti hareket ettirirken aletin kaidesini yüzeye sıfır tutun.

Kenar keserken, iş parçasının yüzeyini besleme yönünde şekil verme testeresi ucunun sol tarafında tuttuğunuzdan emin olun.

► **Şek.39**

NOT: İş parçası üzerinde kesim yapmadan önce bir deneme kesimi yapılması tavsiye edilir. Uygun besleme hızı; şekil verme testeresi ucu büyüklüğü, iş parçasının cinsi ve kesim derinliğine göre değişir. Aletin ileriye doğru çok hızlı hareket ettirilmesi, kütü kesime veya uç ya da motorun zarar görmesine neden olabilir. Aletin ileriye çok yavaş hareket ettirilmesi ise, kesim yüzeyini yakabilir veya bozabilir.

Şekil verme testeresi pabucu, düz kılavuz veya şekil verme kılavuzu kullanırken, besleme yönünün sağ tarafında tuttuğunuzdan emin olun. Bu, iş parçasının yan kısmı ile aynı hızda çalışmayı sağlar.

► **Şek.40:** 1. Şekil verme testeresi ucu 2. İş parçası 3. Düz kılavuz

ÖNEMLİ NOT: Fazla derin kesimler motorun fazla yüklenmesine ve kontrolün güçleşmesine sebep olduğundan, çentikleri keserken her defadaki kesimin derinliği 3 mm'yi geçmemelidir. 3 mm'den daha derin oluk kesimleri yapmak istiyorsanız, gittikçe derinleşen uç ayarlarıyla birkaç geçişte kesim yapın.

Düz kılavuzun kullanılması

İsteğe bağlı aksesuarlar

1. Cıvata ve kelebek somunla düz kılavuzu takın.
► **Şek.41:** 1. Cıvata 2. Kelebek somun
 2. Düz kılavuzu şekil verme testeresi kaidesine sıkıştırma vidası ile takın.
► **Şek.42:** 1. Sıkıştırma vidası
 3. Düz kılavuz üstündeki kelebek somunu gevşetin ve uç ile düz kılavuz arasındaki mesafeyi ayarlayın. İstenilen mesafede, kelebek somunu sıkın.
► **Şek.43:** 1. Kelebek somun
 4. Düz kılavuz, iş parçasının kenarına dayanacak şekilde aleti hareket ettirin.
► **Şek.44**
- Eğer iş parçasının kenarı ile kesme pozisyonunun arasındaki uzaklık (A), düz kılavuz için çok genişse veya iş parçasının kenarı düz değilse, düz kılavuz kullanılamaz. Bu durumda, iş parçasına düz bir tahta parçasını sağlamca kelepçeleysin ve bunu şekil verme kaidesine karşı kılavuz olarak kullanın. Aleti ok yönünde besleyin.
► **Şek.45**

Dairesel işler için düz kılavuzun kullanılması

Dairesel işler için düz kılavuzu şekillerde gösterildiği gibi takın. Kesilecek dairelerin minimum ve maksimum yarı çapları (dairenin merkezi ile ucun merkezi arasındaki mesafe) aşağıda verilmiştir:

- Minimum: 70 mm
- Maksimum: 221 mm

Yarı çapı 70 mm ile 121 mm arasında olan daireleri kesmek için

- **Şek.46:** 1. Merkez delik

Yarı çapı 121 mm ile 221 mm arasında olan daireleri kesmek için

- **Şek.47:** 1. Merkez delik

NOT: Yarı çapı 172 mm ile 186 mm arasında olan daireler bu kılavuz kullanılarak kesilemez.

Düz kılavuzun merkez deliği ile kesilecek dairenin merkezini hizalayın. Düz kılavuzu tespit etmek için, çapı 6 mm'den küçük bir çiviği merkez deliğe çakın. Aleti çivinin etrafında saat yönünde döndürün.

- **Şek.48:** 1. Çivi 2. Merkez delik

Şablon kılavuzunun kullanılması

İsteğe bağlı aksesuarlar

Şablon kılavuzu, bir şablon kullanarak şablon desenleriyle art arda kesim yapmaya izin verir.

1. Kaide plakası üzerindeki vidaları gevşetin ve daha sonra kaide plakasını şekil verme testeresi kaidesinden çıkarın.

2. Şablon kılavuzunu kaideye yerleştirin ve daha sonra vidaları sıkarak kaide plakasını takın.

- **Şek.49:** 1. Kaide plakası 2. Şablon kılavuzu

3. Aleti şablona yerleştirin ve şablon kılavuzu şablon tarafından kaydırılacak şekilde aleti hareket ettirin.

- **Şek.50**

NOT: İş parçası üzerindeki gerçek kesim boyutu şablondan hafif farklıdır. Fark, şekil verme testeresi ucu ile şablon kılavuzunun dışı arasında mesafedir (X). Bu mesafe (X) aşağıdaki denklem kullanılarak hesaplanabilir:

Mesafe (X) = (şablon kılavuzunun dış çapı - şekil verme testeresi ucunun çapı) / 2

- **Şek.51:** 1. Şekil verme testeresi ucu 2. Şablon kılavuzu 3. Mesafe (X) 4. Şablon kılavuzunun dış çapı

Şekil verme kılavuzunun kullanılması

İsteğe bağlı aksesuarlar

Şekil verme kılavuzu, kılavuz silindiri iş parçasının kenarı boyunca hareket ettirerek mobilyalar için cilalı yüzeyler gibi eğimli tarafa şekil vermeye olanak tanır.

- **Şek.52**

1. Sıkıştırma vidasını gevşetin, daha sonra şekil verme kılavuzunu şekil verme testeresi kaidesine takın ve ardından sıkıştırma vidasını sıkın.

- **Şek.53:** 1. Sıkıştırma vidası

2. Sıkıştırma vidasını gevşetin ve şekil verme testeresi ucu ve şekil verme kılavuzu arasındaki mesafeyi, ayar vidasını çevirerek (her dönüş 1 mm) ayarlayın. İstenilen mesafede, şekil verme kılavuzunu tespit etmek için, sıkıştırma vidasını sıkın.

- **Şek.54:** 1. Ayar vidası 2. Sıkıştırma vidası

3. Kılavuz silindiri iş parçasının kenarına denk gelecek şekilde aleti hareket ettirin.

- **Şek.55:** 1. İş parçası 2. Uç 3. Kılavuz silindiri

Aletin yatırma kaidesi ile kullanılması

Yatırma kaidesi yiv açmak için uygundur. Kelebek vidaları gevşetin, daha sonra aleti istenilen açıda yatırın ve ardından kelebek vidaları sıkın.

İş parçasına işkençe ile düz bir tahta parçasını sıkıca tutturun ve bunu yatırma kaidesine karşı kılavuz olarak kullanın. Aleti ok yönünde besleyin.

- **Şek.56:** 1. Kelebek vida

Yatırma kaidesi plakasının şekil verme testeresi kaidesi ile kullanılması

Şekil verme testeresi kaidesini kare kaide plakası ile kullanmak için kaide plakasını yatırma kaidesinden çıkarın ve daha sonra şekil verme testeresi kaidesine takın.

- **Şek.57:** 1. Yatırma kaide plakası 2. Şekil verme testeresi kaidesi plakası

Aletin kaydırma kaidesi ile kullanılması

Kaydırma kaidesi, köşeler gibi dar alanlarda çalışmak için uygundur.

- **Şek.58**

Şekil verme testeresi kaidesinin kaydırma kaidesi plakası ve sap ile kullanılması

Kaydırma kaidesi plakası daha fazla denge için, şekil verme testeresi kaidesi ve sap bağlantı parçası (isteğe bağlı aksesuar) ile de kullanılabilir.

1. Kaide plakası üzerindeki vidaları gevşetin, daha sonra kaide plakasını kaydırma kaidesinden çıkarın.
► **Şek.59:** 1. Kaydırma kaidesi plakası 2. Şekil verme testeresi kaidesi plakası

2. Vidaları sıkarak kaydırma kaidesi plakasını şekil verme testeresi kaidesine takın.

3. Sap bağlantı parçasını ve çubuk tipi sapı, kaydırma kaidesi plakasına vidaları sıkarak takın.
► **Şek.60:** 1. Çubuk tipi sap 2. Sap bağlantı parçası

Kaydırma kaidesine çubuk tipi sap yerine daldırmalı kaideden çıkarılan topuz tipi sap takılabilir.

► **Şek.61:** 1. Vida 2. Topuz tipi sap

Aletin daldırmalı kaide ile kullanılması

Çalışırken sapları daima her iki elinizle sıkıca tutun. Aleti, şekil verme testeresi kaidesi ile aynı şekilde kullanın.

Düz kılavuzun kullanılması

İsteğe bağlı aksesuarlar

1. Kelebek somunu sıkarak düz kılavuzu kılavuz tutucusuna takın. Kılavuz tutucusunu daldırmalı kaidedeki deliklere sokun ve daha sonra kelebek civataları sıkın.

► **Şek.62:** 1. Kelebek civata 2. Kılavuz tutucusu 3. Kelebek somun 4. Düz kılavuz

2. Düz kılavuz üstündeki kelebek somunu gevşetin ve uç ile düz kılavuz arasındaki mesafeyi ayarlayın. İstenilen mesafede, kelebek somunu sıkın.

► **Şek.63:** 1. Kelebek somun

3. Aleti, şekil verme testeresi kaidesi için düz kılavuzla aynı şekilde kullanın.

► **Şek.64**

Şablon kılavuzunun kullanılması

İsteğe bağlı aksesuarlar

1. Kaide üzerindeki vidaları gevşetin ve bunları çıkarın. Şablon kılavuzunu kaideye yerleştirin ve daha sonra vidaları sıkın.

► **Şek.65:** 1. Vida 2. Şablon kılavuzu

2. Aleti, şekil verme testeresi kaidesi için şablon kılavuzu ile aynı şekilde kullanın.

► **Şek.66**

Paralel cetvelin kullanılması

Paralel cetvel, oluk veya yiv açarken düz kesimler yapmak için verimli bir şekilde kullanılır. Uç ile paralel cetvel arasındaki mesafeyi ayarlayın. İstenilen mesafede, paralel cetveli tespit etmek için, kelebek civataları sıkın. Keserken aleti, paralel cetvel iş parçasının kenarına dayanacak şekilde hareket ettirin.

► **Şek.67**

Eğer iş parçasının kenarı ile kesme pozisyonunun arasındaki uzaklık (A), paralel cetvel için çok genişse veya iş parçasının kenarı düz değilse, paralel cetvel kullanılamaz.

Bu durumda, iş parçasına işkence ile düz bir tahta parçasını sıkıca tutturun ve bunu daldırmalı kaideye karşı kılavuz olarak kullanın. Aleti ok yönünde besleyin.

► **Şek.68**

Topuz tipi sapın çubuk tipi sapla değiştirilmesi

Daldırmalı kaideye çubuk tipi sap takmak için, topuz tipi sapın vidasını gevşetin, daha sonra topuz tipi sapı çıkarın ve ardından çubuk tipi sapı sıkarak takın.

► **Şek.69:** 1. Topuz tipi sap 2. Vida 3. Çubuk tipi sap

BAKIM

⚠DİKKAT: Muayene ya da bakım yapmadan önce aletin kapalı ve batarya kartuşunun çıkartılmış olduğundan daima emin olun.

ÖNEMLİ NOT: Benzin, tiner, alkol ve benzeri maddeleri kesinlikle kullanmayın. Renk değişimi, deformasyon veya çatlaklar oluşabilir.

Aleti EMNİYETLİ ve ÇALIŞMAYA HAZIR durumda tutmak için onarımlar, başka her türlü bakım ve ayarlamalar daima Makita yedek parçaları kullanılarak Makita yetkili servis merkezleri veya Fabrikanın Servis Merkezleri tarafından yapılmalıdır.

İSTEĞE BAĞLI AKSESUARLAR

⚠DİKKAT: Bu aksesuarlar ve ek parçalar bu el kitabında belirtilen Makita aletiniz ile kullanılmak için tavsiye edilmektedir. Herhangi başka bir aksesuar ya da ek parça kullanılması insanlar için bir yaralanma riski getirebilir. Aksesuarları ya da ek parçaları yalnızca belirtilmiş olan kullanım amaçlarına uygun olarak kullanın.

Bu aksesuarlarla ilgili daha fazla bilgiye ihtiyaç duyarsanız bulunduğunuz yerdeki yetkili Makita servisine başvurun.

- Düz ve yiv açma uçları
- Kenar şekillendirme ucu
- Laminat şekil verme uçları
- Düz kılavuz aksamı
- Şekil verme kılavuzu aksamı
- Şekil verme testeresi kaidesi aksamı
- Yatırma kaidesi aksamı
- Daldırmalı kaide aksamı
- Kaydırma kaidesi aksamı
- Sap bağlantı parçası
- Şablon kılavuzu
- Tutucu pens kovani 6 mm
- Tutucu pens kovani 6,35 mm (1/4")
- Tutucu pens kovani 8 mm
- Tutucu pens kovani 9,53 mm (3/8")
- Anahtar 13
- Anahtar 22
- Orijinal Makita batarya ve şarj aleti

NOT: Listedeki parçaların bazıları alet paketi içerisinde standart aksesuar olarak dahil edilmiş olabilir. Bunlar ülkeden ülkeye farklılık gösterebilir.

Şekil verme testeresi uçları

Düz uç

► Şek.70

	D	A	L1	L2
20	6	20	50	15
20E	1/4"			
8	8	8	60	25
8	6		50	18
8E	1/4"			
6	6	6	50	18
6E	1/4"			

Birim: mm

“U” oyma ucu

► Şek.71

	D	A	L1	L2	R
6	6	6	50	18	3
6E	1/4"				

Birim: mm

“V” oyma ucu

► Şek.72

D	A	L1	L2	θ
1/4"	20	50	15	90°

Birim: mm

Matkap başlı havşa ucu

► Şek.73

	D	A	L1	L2	L3
8	8	8	60	20	35
6	6			18	28
6E	1/4"				

Birim: mm

Matkap başlı çifte havşa ucu

► Şek.74

	D	A	L1	L2	L3	L4
8	8	8	80	95	20	25
6	6					
6E	1/4"					

Birim: mm

Köşe yuvarlama ucu

► Şek.75

	D	A1	A2	L1	L2	L3	R
8R	6	25	9	48	13	5	8
8RE	1/4"						
4R	6	20	8	45	10	4	4
4RE	1/4"						

Birim: mm

Yiv açma ucu

► Şek.76

D	A	L1	L2	L3	θ
6	23	46	11	6	30°
6	20	50	13	5	45°
6	20	49	14	2	60°

Birim: mm

Çukur köşebent ucu

► Şek.77

D	A	L1	L2	R
6	20	43	8	4
6	25	48	13	8

Birim: mm

Rulmanlı havşa ucu

► Şek.78

D	A	L1	L2
6	10	50	20
1/4"			

Birim: mm

Rulmanlı köşe yuvarlama ucu

► Şek.79

D	A1	A2	L1	L2	L3	R
6	15	8	37	7	3,5	3
6	21		40	10		
1/4"						

Birim: mm

Rulmanlı yiv açma ucu

► Şek.80

D	A1	A2	L1	L2	θ
6	26	8	42	12	45°
1/4"					
6	20		41	11	60°

Birim: mm

Rulmanlı köşebent ucu

► Şek.81

D	A1	A2	A3	L1	L2	L3	R
6	20	12	8	40	10	5,5	4
6				26	42	12	4,5

Birim: mm

Rulmanlı çukur köşebent ucu

► Şek.82

D	A1	A2	A3	A4	L1	L2	L3	R
6	20	18	12	8	40	10	5,5	3
6					26	22	42	12

Birim: mm

Rulmanlı romen deveboynu uç

► Şek.83

D	A1	A2	L1	L2	L3	R1	R2
6	20	8	40	10	4,5	2,5	4,5
6	26		42	12		3	6

Birim: mm

Makita Europe N.V. Jan-Baptist Vinkstraat 2,
3070 Kortenberg, Belgium

Makita Corporation 3-11-8, Sumiyoshi-cho,
Anjo, Aichi 446-8502 Japan

www.makita.com

885585B992
EN, FR, DE, IT, NL,
ES, PT, DA, EL, TR
20170223