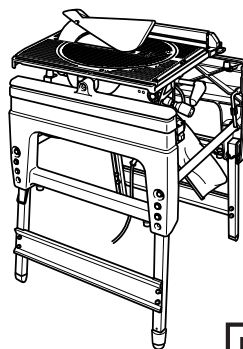
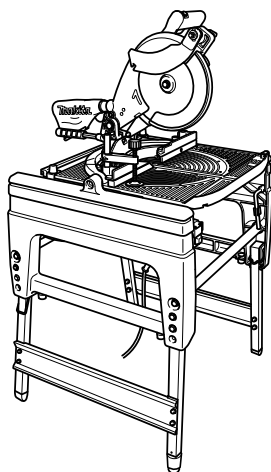
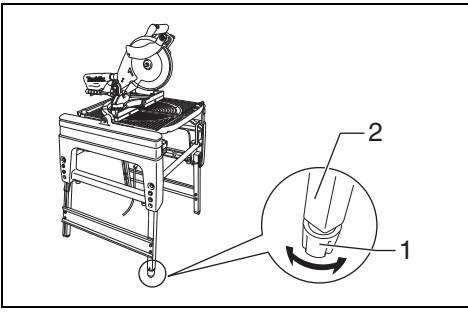




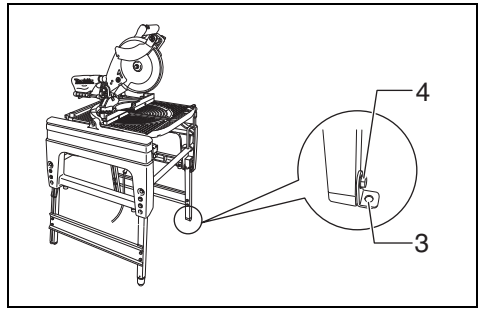
GB	Flip Over Saw	Instruction Manual
F	Scies retournables	Manuel d'instructions
D	Tisch-, Kapp- und Gehrungssäge	Betriebsanleitung
I	Sega combinata	Istruzioni per l'uso
NL	Tafel-, afkort- en verstekzaagcombinatie	Gebruiksaanwijzing
E	Sierra reversible	Manual de instrucciones
P	Serra combinada de esquadria e bancada	Manual de instruções
DK	Vende-sav	Brugsanvisning
GR	Ανάποδο πριόνι	Οδηγίες χρήσεως

LF1000

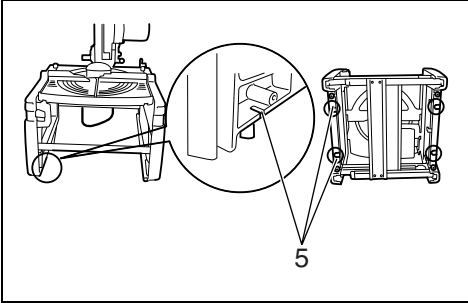




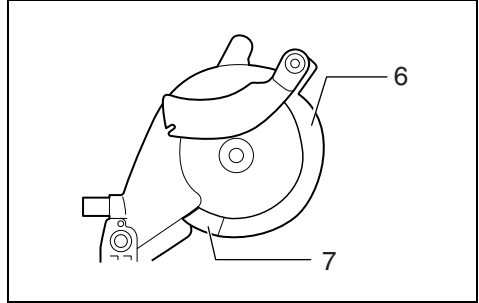
1 006027



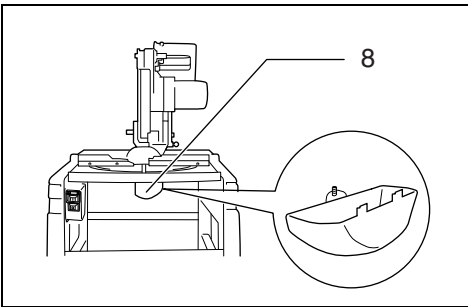
2 006028



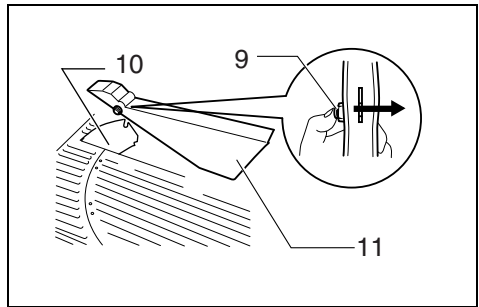
3 006029



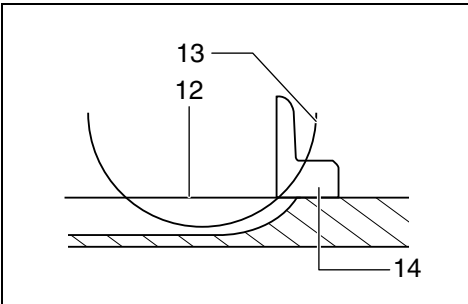
4 006030



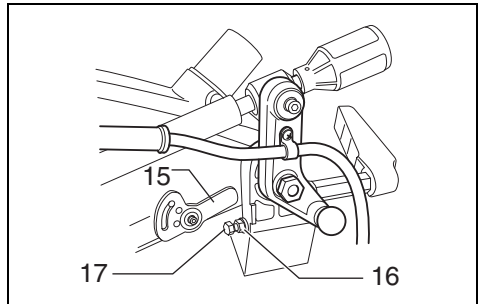
5 006031



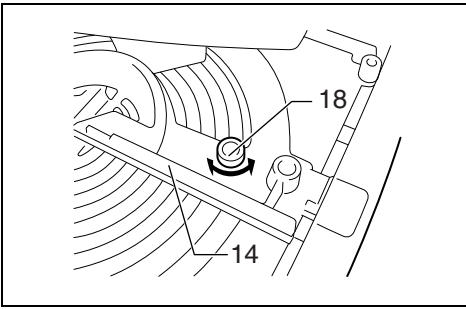
6 006073



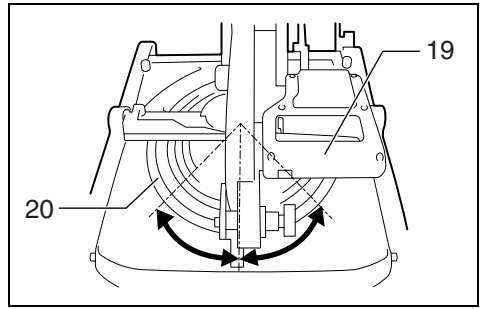
7 001540



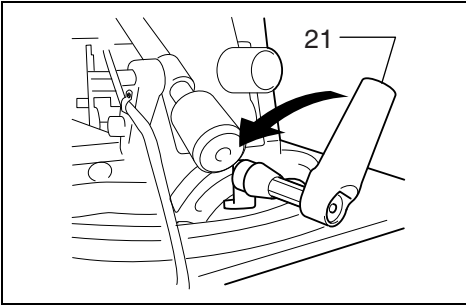
8 006033



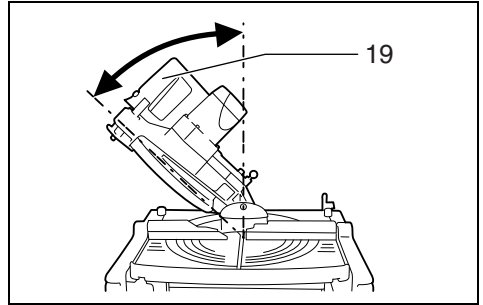
9 006034



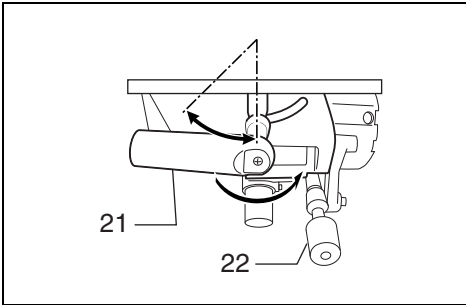
10 006035



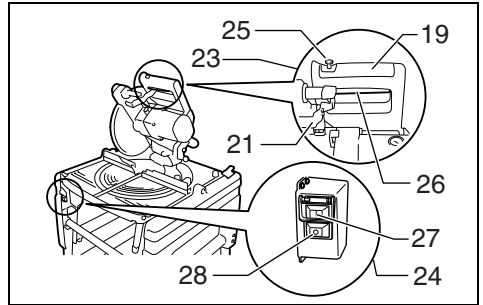
11 006036



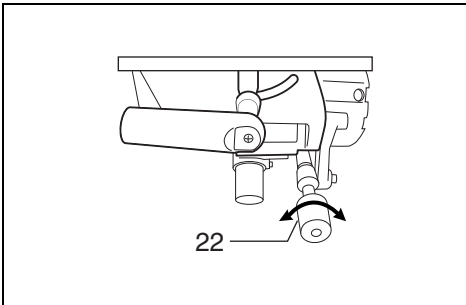
12 006037



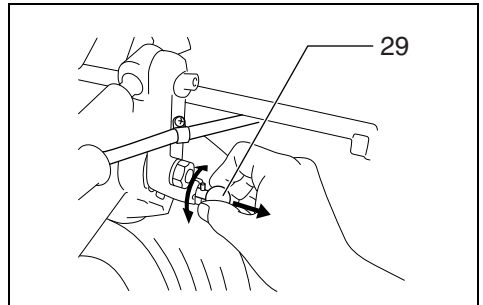
13 006038



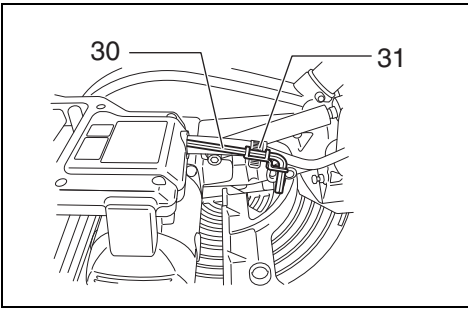
14 006039



15 006040

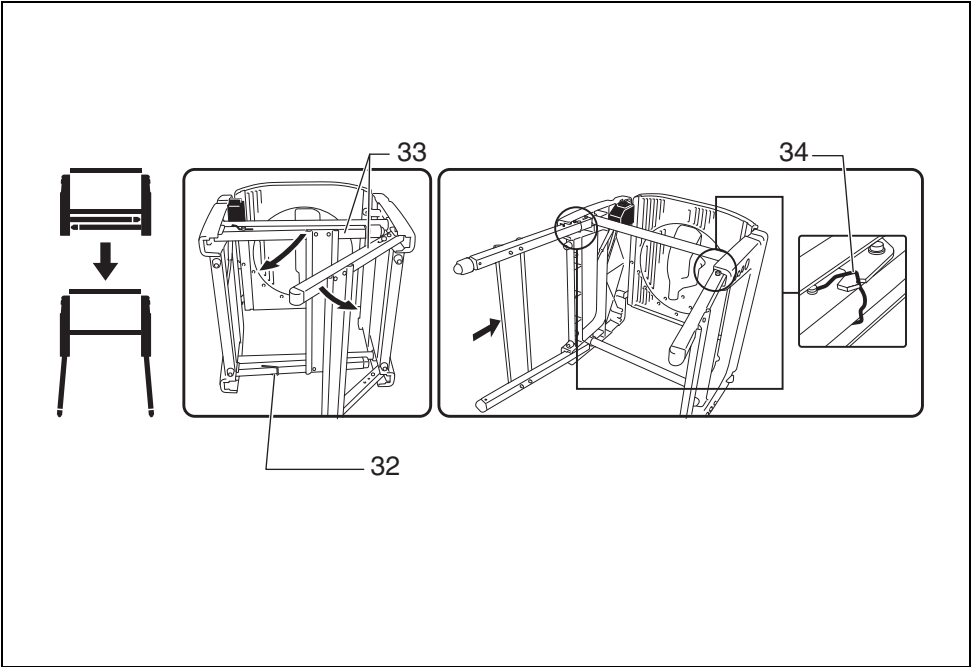


16 006041



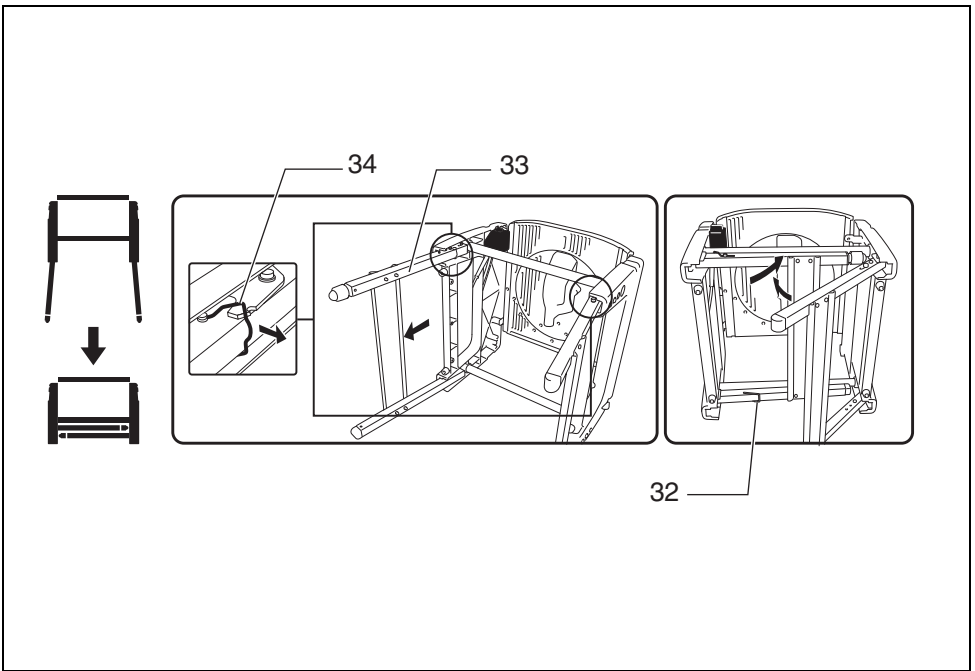
17

012645



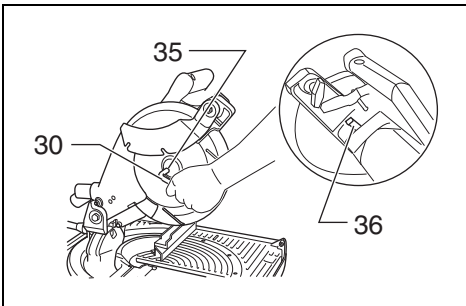
18

006043



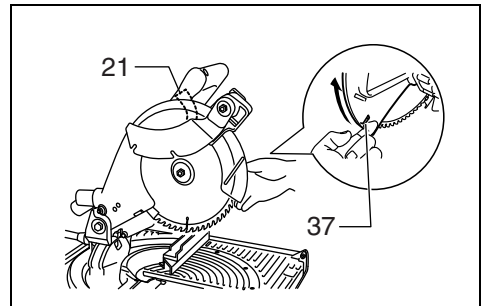
19

006044



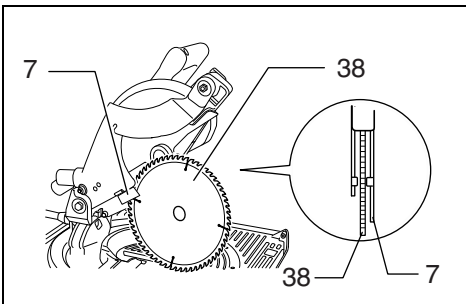
20

012641



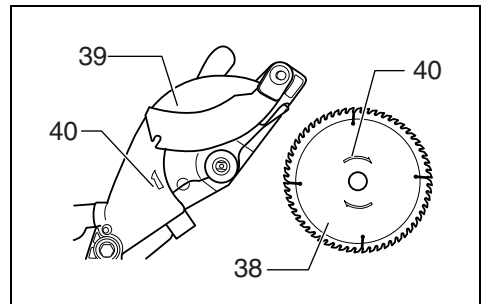
21

006046



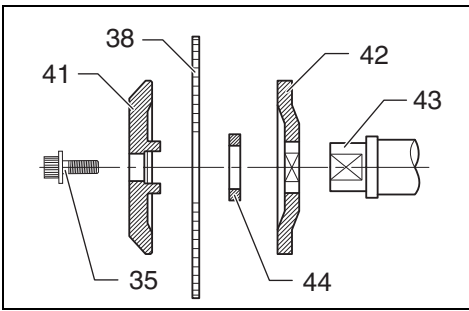
22

006047



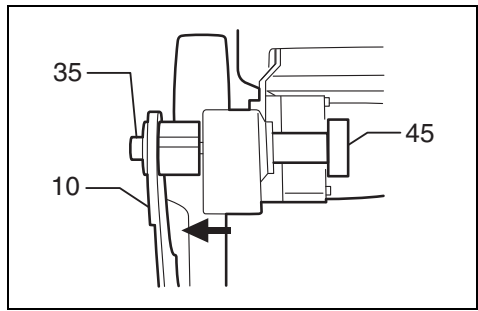
23

006048



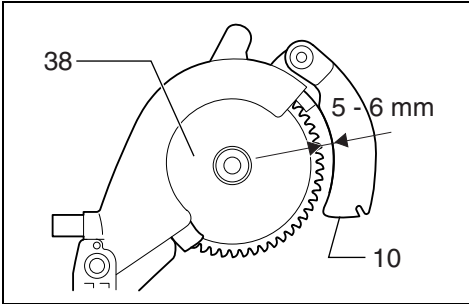
24

012642



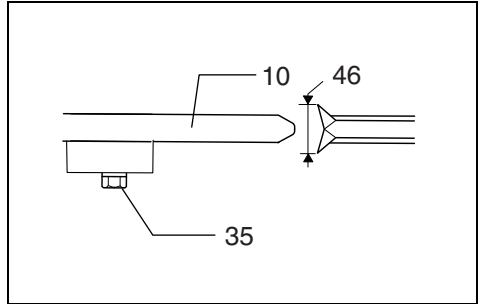
25

012643



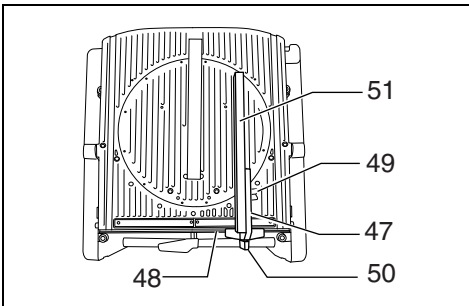
26

006051



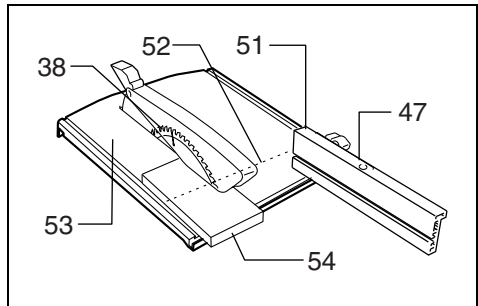
27

012644



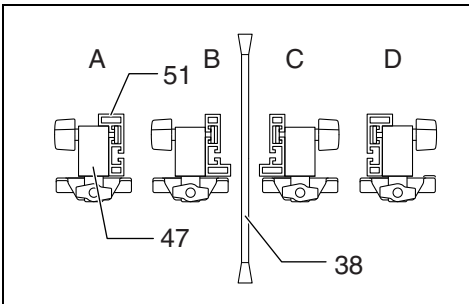
28

006053



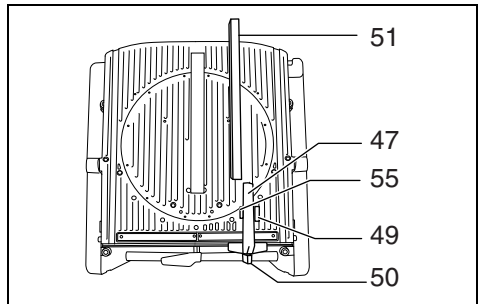
29

006054



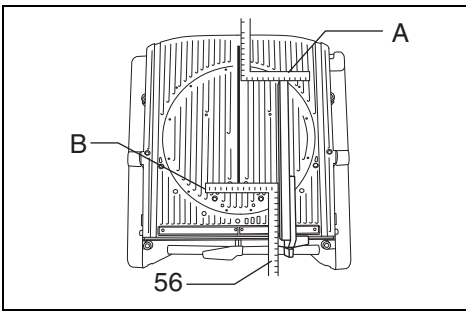
30

006055



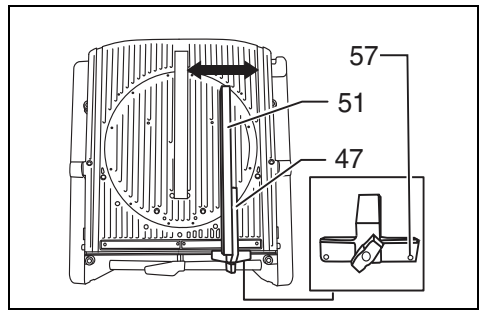
31

006056



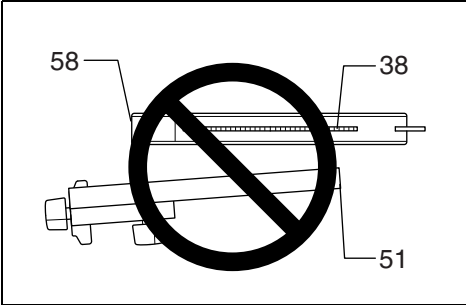
32

006057



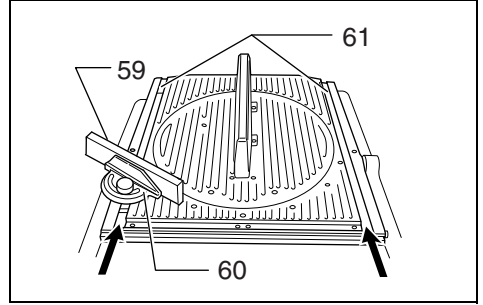
33

006058



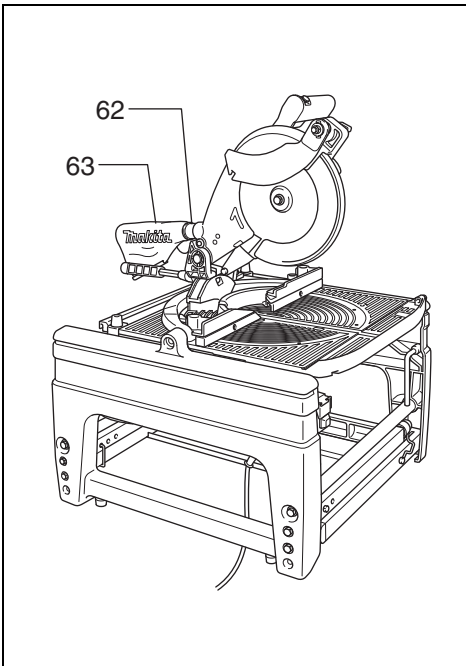
34

006059



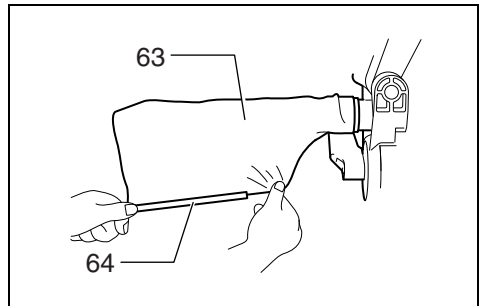
35

006060



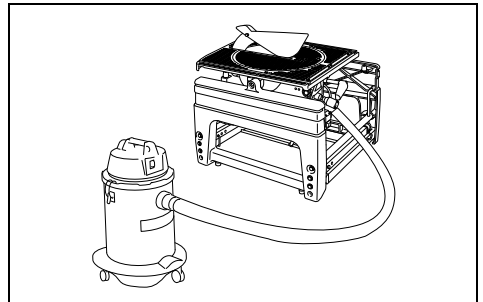
36

006061



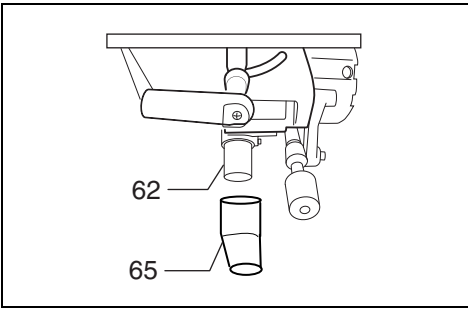
37

005560



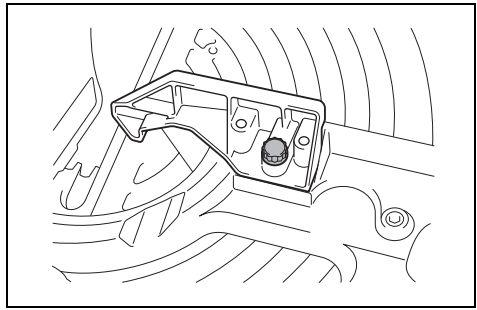
38

006062



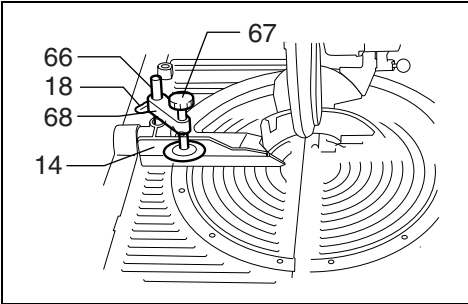
39

006063



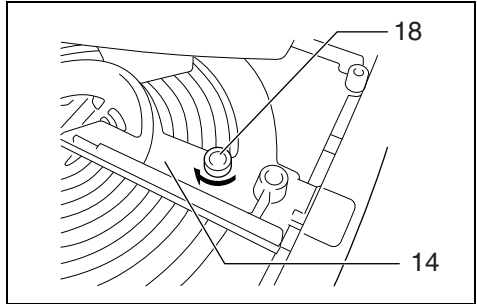
40

015233



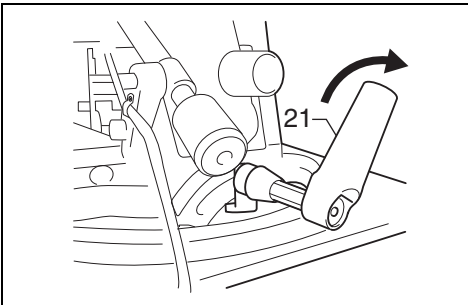
41

006064



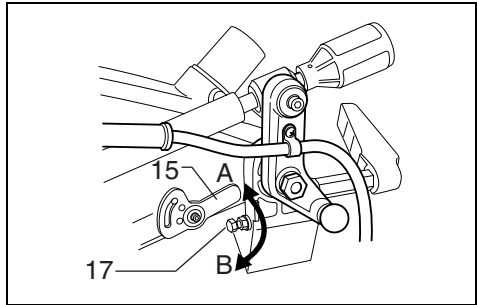
42

006065



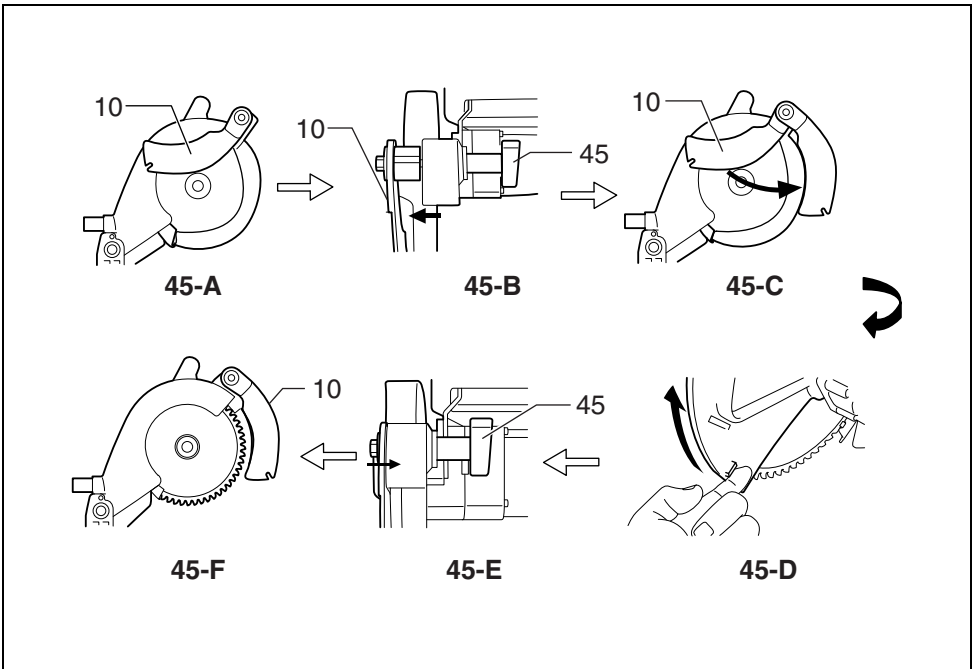
43

006066



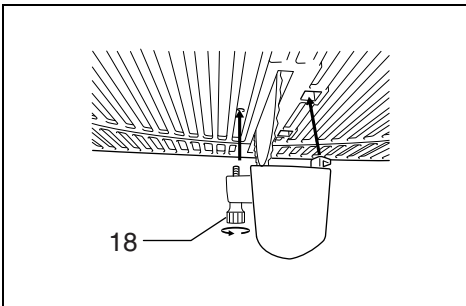
44

006067



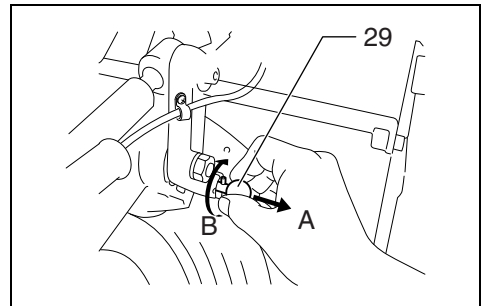
45

006068



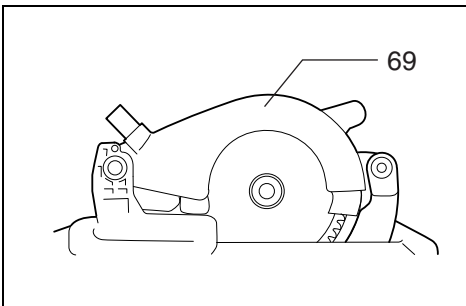
46

006072



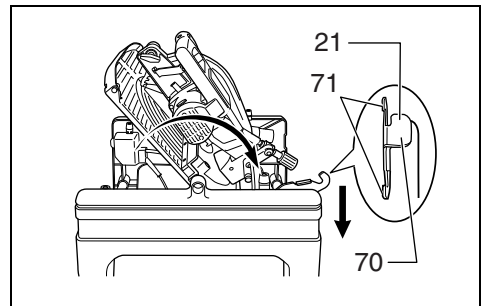
47

006069



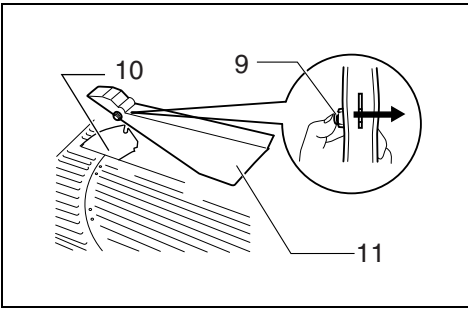
48

006070



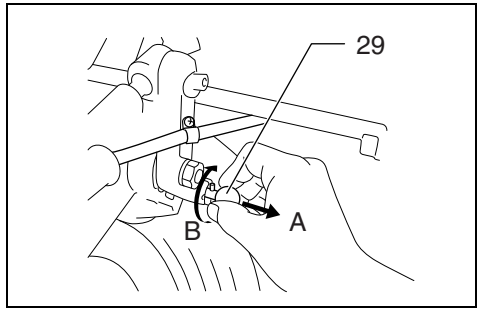
49

006071



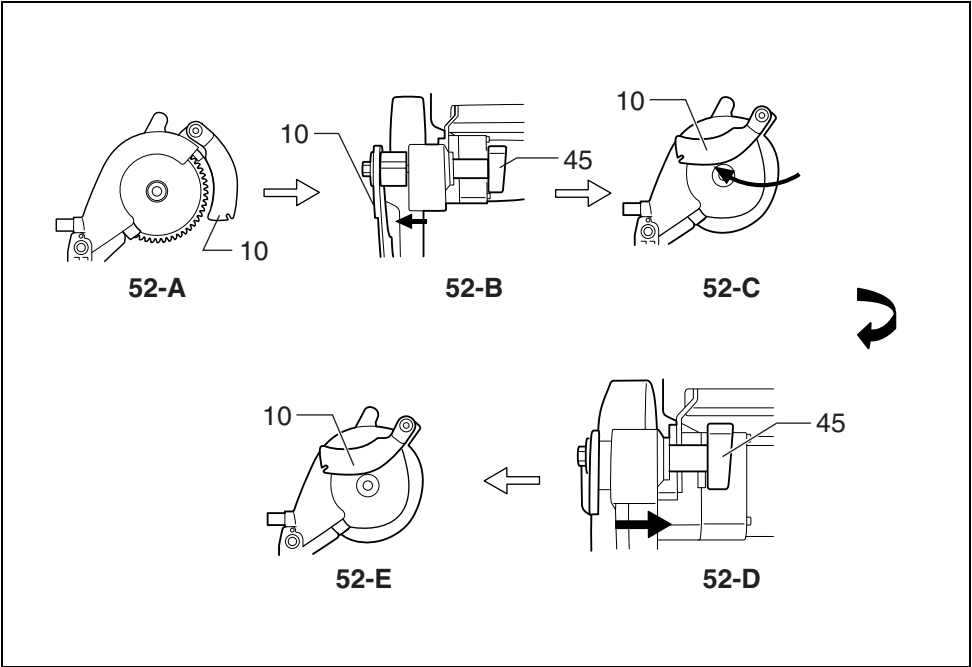
50

006073



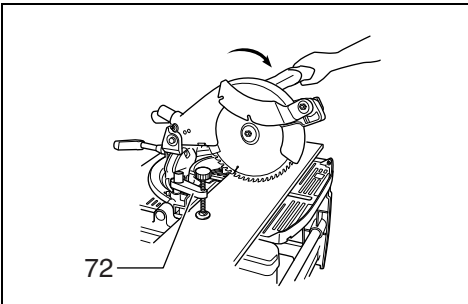
51

006074



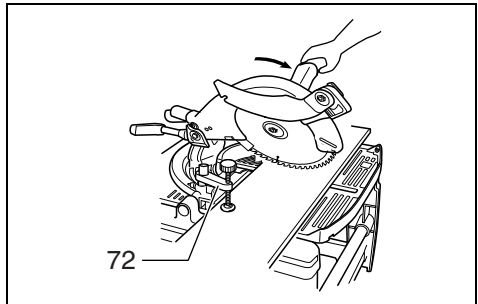
52

006075



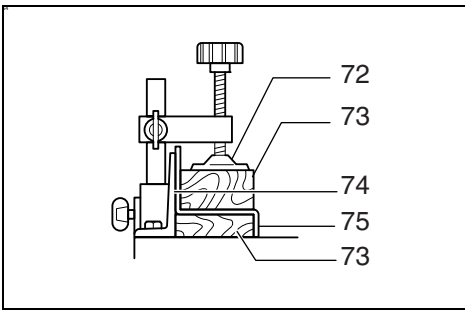
53

006078



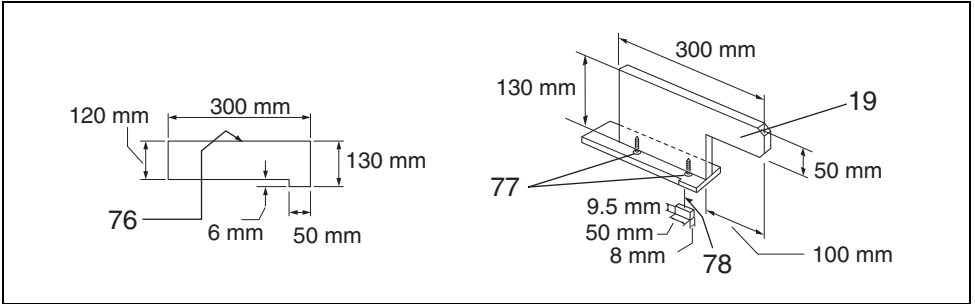
54

006079



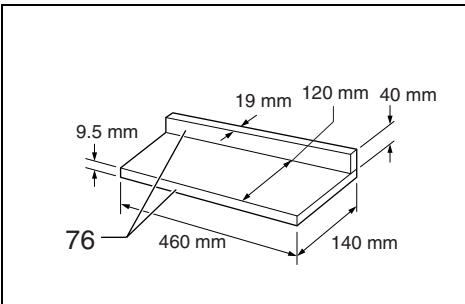
55

001844



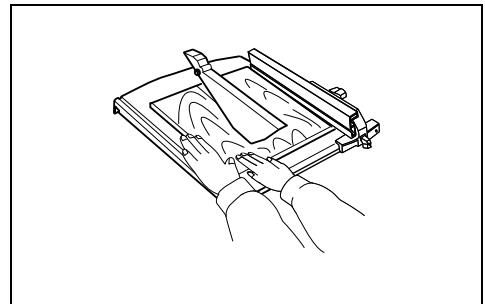
56

006080



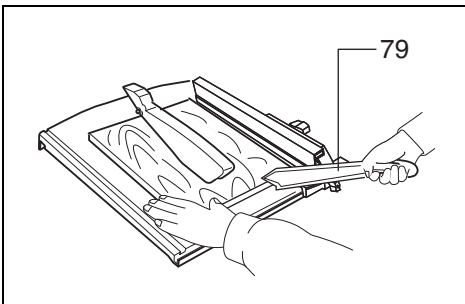
57

006081



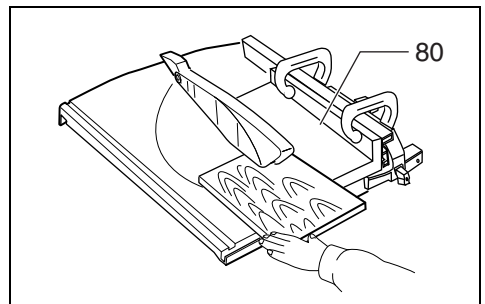
58

006082



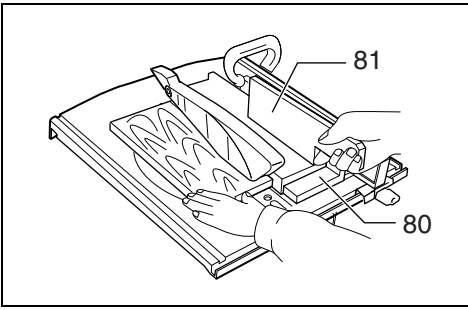
59

006083



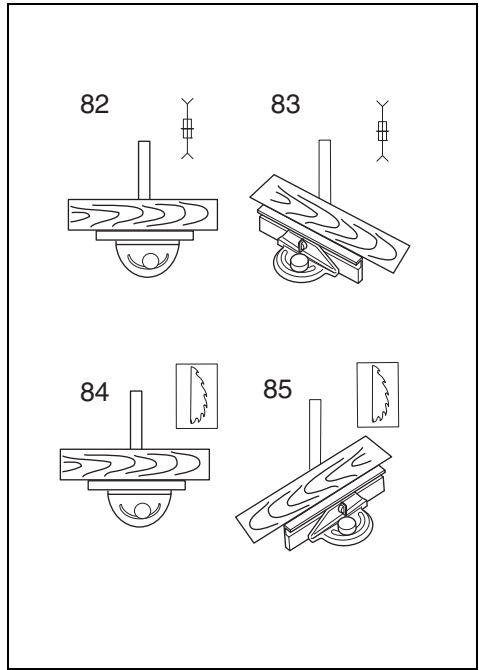
60

006084



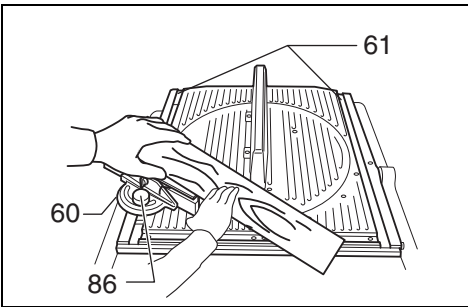
61

006085



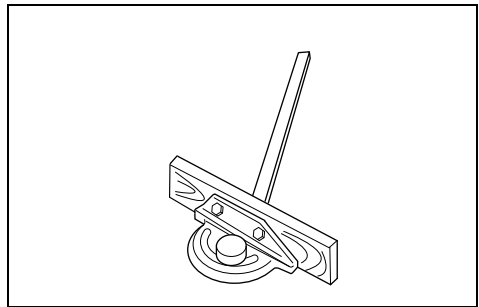
62

006086



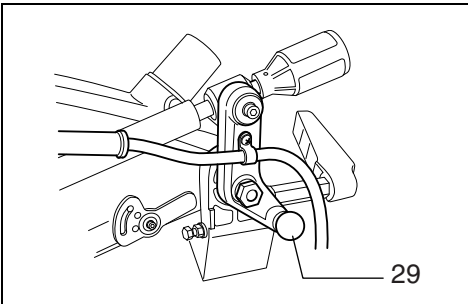
63

006088



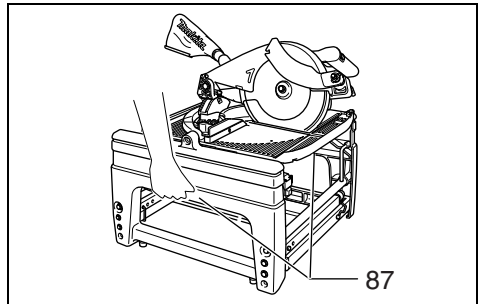
64

006089



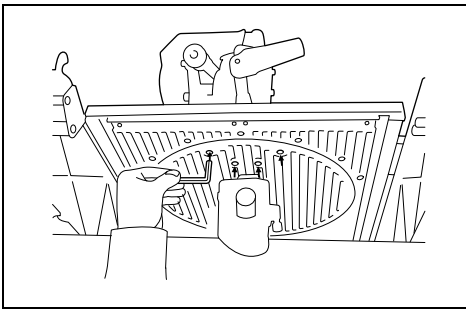
65

006089



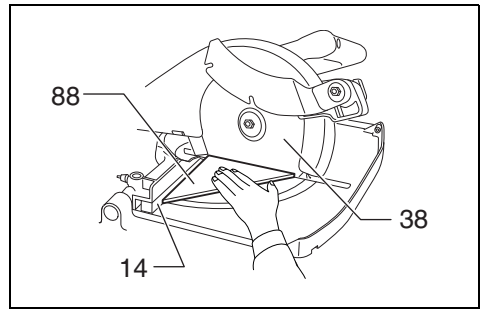
66

006090



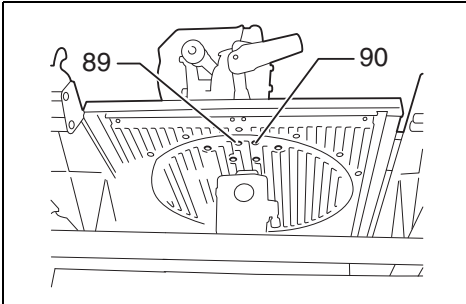
67

006091



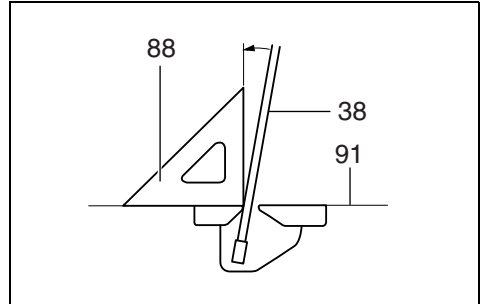
68

006092



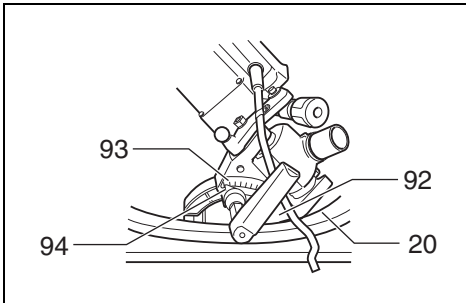
69

006093



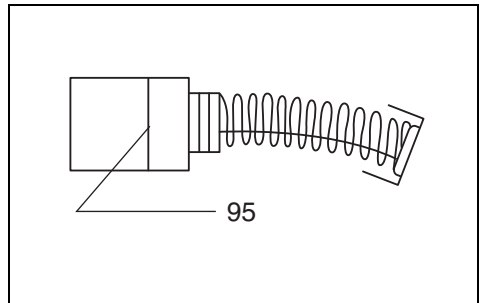
70

001819



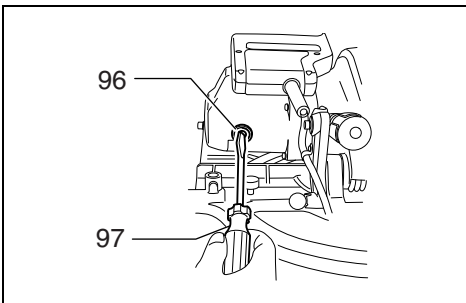
71

006094



72

001145



73

006095

Symbols

The following show the symbols used for the equipment. Be sure that you understand their meaning before use.

Symboles

Nous donnons ci-dessous les symboles utilisés pour l'outil. Assurez-vous que vous en avez bien compris la signification avant d'utiliser l'outil.

Simbole

Die folgenden Symbole werden für die Maschine verwendet. Machen Sie sich vor der Benutzung unbedingt mit ihrer Bedeutung vertraut.

Simboli

Per questo utensile vengono usati i simboli seguenti. Bisogna capire il loro significato prima di usare l'utensile.

Symblen

Voor dit gereedschap worden de volgende symbolen gebruikt. Zorg ervoor dat u de betekenis van deze symbolen begrijpt alvorens het gereedschap te gebruiken.

Símbolos

A continuación se muestran los símbolos utilizados con esta herramienta. Asegúrese de que entienda su significado antes de usarla.

Símbolos

O seguinte mostra os símbolos utilizados para a ferramenta. Certifique-se de que compreende o seu significado antes da utilização.

Symboler

Nedenstående symboler er anvendt i forbindelse med denne maskine. Vær sikker på, at De har forstået symbolernes betydning, før maskinen anvendes.

Σύμβολα

Τα ακόλουθα δείχνουν τα σύμβολα που χρησιμοποιούνται για το μηχάνημα. Βεβαιωθείτε ότι καταλαβαίνετε τη σημασία τους πριν από τη χρήση.



- Read instruction manual.
- Lire le mode d'emploi.
- Bitte Bedienungsanleitung lesen.
- Leggete il manuale di istruzioni.
- Lees de gebruiksaanwijzing.
- Lea el manual de instrucciones.
- Leia o manual de instruções.
- Læs brugsanvisningen.
- Διαβάστε τις οδηγίες χρήσης.



- DOUBLE INSULATION
- DOUBLE ISOLATION
- DOPPELT SCHUTZISOLIERT
- DOPPIO ISOLAMENTO
- DUBBELE ISOLATIE
- DOBLE AISLAMIENTO
- DUPLO ISOLAMENTO
- DOBBELT ISOLERET
- ΔΙΠΛΗ ΜΟΝΩΣΗ



- To avoid injury from flying debris, keep holding the saw head down, after making cuts, until the blade has come to a complete stop.
- Pour éviter les blessures causées par les objets projetés, maintenez la tête de la scie en position basse une fois la coupe terminée, jusqu'à ce que la lame soit complètement arrêtée.
- Um Verletzungen durch herausgeschleuderte Teile zu vermeiden, halten Sie den Sägekopf nach Ausführung von Schnitten abgesenkt, bis das Sägeblatt völlig zum Stillstand gekommen ist.
- Per evitare lesioni dalle schegge volanti, dopo aver eseguito il taglio tenere abbassata la testa sega finché la lama non si è arrestata completamente.
- Om verwonding door weggeslingerd zaagafval te voorkomen, dient u na het voltooiën van een snede de zaagkop omlaag te houden totdat het zaagblad volledig tot stilstand is gekomen.
- Para evitar sufrir heridas a causa de restos que salen despedidos, siga sujetando la cabeza de la sierra hacia abajo, al terminar los cortes, hasta que el disco se haya parado completamente.
- Para evitar danos causados por aparos que saltem, mantenha a cabeça da serra para baixo, depois de terminar os cortes, até que a lâmina esteja completamente parada.
- For at undgå at komme til skade på grund af flyvende affald, skal man holde savhovedet nede efter skæring, indtil savklingen står helt stille.
- Για να αποφύγετε τραυματισμό από ιπτάμενα τεμαχίδια, κρατάτε το πριόνι με το κεφάλι προς τα κάτω, αφού κάνετε κοπές, μέχρι η λάμα να σταματήσει τελείως.



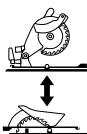
- Do not place hand or fingers close to the blade.
- Ne pas placer les mains ou les doigts près de la lame.
- Halten Sie Hände oder Finger vom Sägeblatt fern.
- Non avvicinare le mani o le dita alla lama.
- Kom met uw handen of vingers niet te dicht bij het zaagblad.
- No ponga la mano ni los dedos cerca del disco.
- Não coloque a sua mão ou dedos perto da lâmina.
- Hold hænder og fingre på god afstand af klingens.
- Μη βάζετε το χέρι ή τα δάκτυλα κοντά στην λάμα.



- For your safety, remove the chips, small pieces, etc. from the table top before operation.
- Pour votre sécurité, retirez les copeaux et autres petites pièces présentes sur la table avant de commencer le travail.
- Zur Sicherheit sollte die Tischplatte vor dem Betrieb von Spänen, Kleinteilen usw. gesäubert werden.
- Per la propria sicurezza, togliere i trucioli, frammenti, ecc., dalla superficie superiore del piano di taglio prima di procedere.
- Verwijder voor uw eigen veiligheid zaagafval, stukjes hout e.d. van de werktafel alvorens te gaan zagen.
- Por su propia seguridad, retire las virutas, trozos pequeños, etc., de encima de la mesa de trabajo antes de iniciar la tarea.
- Para sua segurança, retire aparas, peças pequenas, etc., de cima da bancada antes da operação.
- Af sikkerhedsårsager skal spåner, små stykker etc. fjernes fra bordtoppen inden anvendelsen.
- Για την ασφάλειά σας, αφαιρέστε τα αποκοπίδια, μικρά κομμάτια, κλπ. από το τραπέζι πριν από την λειτουργία.



- Unplug the tool before turning it over around the axis.
- Débranchez l'outil avant de le faire tourner sur son axe.
- Ziehen Sie den Netzstecker ab, bevor Sie das Werkzeug um die Drehachse kippen.
- Staccare l'utensile dalla presa di corrente prima di ruotarlo intorno agli assi.
- Trek de stekker uit het stopcontact voordat u de machine om zijn as draait.
- Desenchufe la herramienta antes voltearla alrededor del eje.
- Desligue a ferramenta da corrente antes de a rodar à volta da linha central.
- Tag maskinen ud af forbindelse, inden det drejes omkring akslen.
- Αποσυνδέστε το εργαλείο πριν το αναποδογυρίσετε γύρω στον άξονά του.



- Position hands properly when carrying.
- Placez vos mains correctement pour le transporter.
- Hände zum Tragen korrekt positionieren.
- Per il trasporto, posizionare correttamente le mani.
- Plaats uw handen op de juiste wijze bij het dragen.
- Transporte la herramienta agarrándola con las manos por las partes correctas.
- Posicione as mãos correctamente quando transporta.
- Hold saven på korrekt vis, når den bæres.
- Τοποθετήστε κατάλληλα τα χέρια σας όταν το μεταφέρετε.



- Do not lift up the top end of the rip fence when installing or removing it.
- Ne soulevez pas le garde parallèle par son extrémité supérieure pour l'installer ou le retirer.
- Heben Sie den Parallelanschlag beim Installieren oder Entfernen nicht an der Oberseite hoch.
- Non si deve sollevare l'estremità superiore della guida pezzo quando la si installa o la si rimuove.
- Til het verste uiteinde van de schulpgeleider niet op bij het plaatsen of verwijderen ervan.
- No levante el extremo superior de la guía de corte al hilo cuando la instale o la quite.
- Não levante a extremidade superior da guia paralela quando a instala ou retira.
- Løft ikke den øveste ende af kløveanslaget op, når De monterer eller afmonterer det.
- Μην ανυψώνετε την άνω άκρη του φράκτη σχισίματος κατά την τοποθέτηση ή την αφαίρεση του.



- To loosen the bolt, turn it clockwise.
- Pour desserrer le boulon, tournez-le vers la droite.
- Drehen Sie die Schraube zum Lösen im Uhrzeigersinn.
- Per allentare il bullone, girarlo in senso orario.
- Draai de bout rechtsom los.
- Para aflojar el perno, gírelo hacia la derecha.
- Para desapertar o perno, rode-o no sentido dos ponteiros do relógio.
- Bolten løsnes ved at den drejes i retningen med uret.
- Για να ξεσφίξετε τον κοχλία, περιστρέψτε δεξιόστροφα.



- Only for EU countries

Do not dispose of electric equipment together with household waste material!

In observance of the European Directive, on Waste Electric and Electronic Equipment and its implementation in accordance with national law, electric equipment that have reached the end of their life must be collected separately and returned to an environmentally compatible recycling facility.

- Pour les pays européens uniquement

Ne pas jeter les équipements électriques dans les ordures ménagères !

Conformément à la directive européenne, relative aux déchets d'équipements électriques ou électroniques (DEEE), et à sa transposition dans la législation nationale, les équipements électriques doivent être collectés à part et être soumis à un recyclage respectueux de l'environnement.

- Nur für EU-Länder

Werfen Sie Elektrogeräte nicht in den Hausmüll!

Gemäß Europäischer Richtlinie über Elektro- und Elektronik-Altgeräte und Umsetzung in nationales Recht müssen verbrauchte Elektrogeräte getrennt gesammelt und einer umweltgerechten Wiederverwertung zugeführt werden.

- Solo per Paesi UE

Non gettare le apparecchiature elettriche tra i rifiuti domestici.

Secondo la Direttiva Europea, sui rifiuti di apparecchiature elettriche ed elettroniche e la sua attuazione in conformità alle norme nazionali, le apparecchiature elettriche esauste devono essere raccolte separatamente, al fine di essere riciclate in modo eco-compatibile.

- Alleen voor EU-landen

Geef elektrische apparaten niet met het huisvuil mee!

Volgens de Europese richtlijn, inzake oude elektrische en elektronische apparaten en de toepassing daarvan binnen de nationale wetgeving, dient gebruikt elektrische apparaten gescheiden te worden ingezameld en te worden afgevoerd naar een recycle bedrijf dat voldoet aan de geldende milieu-eisen.

- Sólo para países de la Unión Europea

¡No deseche los aparatos eléctricos junto con los residuos domésticos!

De conformidad con la Directiva Europea, sobre residuos de aparatos eléctricos y electrónicos y su aplicación de acuerdo con la legislación nacional, los aparatos eléctricos cuya vida útil haya llegado a su fin se deberán recoger por separado y trasladar a una planta de reciclaje que cumpla con las exigencias ecológicas.

- Apenas para países da UE

Não deite ferramentas eléctricas no lixo doméstico!

De acordo com a directiva europeia sobre ferramentas eléctricas e electrónicas usadas e a sua aplicação para as leis nacionais, as ferramentas eléctricas usadas devem ser recolhidas em separado e encaminhadas a uma instalação de reciclagem dos materiais ecológicos.

- Kun for EU-lande

Elværktøj må ikke bortskaffes som almindeligt affald!

I henhold til det europæiske direktiv om bortskaffelse af elektriske og elektroniske produkter og gældende national lovgivning skal brugt elværktøj indsamles separat og returneres til miljøgodkendt genindvinding.

- Μόνο για τις χώρες της ΕΕ

Μη πετάτε τα είδη ηλεκτρικού εξοπλισμού μαζί με τα οικιακά απορρίμματα. Σε τήρηση της Ευρωπαϊκής Οδηγίας, περί απορριμμάτων ειδών ηλεκτρικού και ηλεκτρονικού εξοπλισμού και την εφαρμογή της σύμφωνα με την εθνική νομοθεσία, τα είδη ηλεκτρικού εξοπλισμού που έχουν φθάσει στο τέλος της ζωής τους πρέπει να συλλέγονται ξεχωριστά και να επιστρέφονται σε μία περιβαλλοντικά συμβατή εγκατάσταση ανακύκλωσης.

Explanation of general view

1 Adjusting nut	33 Feet	67 Vise knob
2 Foot	34 Stopper hook	68 Vise arm
3 Fix plate	35 Hex socket bolt	69 Saw head locked in the fully lowered position
4 Hex bolt	36 Shaft lock	70 Area of lever for hand/finger to be placed on
5 U-shaped grooves	37 Lifting lever	71 Hooking parts
6 Lower blade guard A	38 Saw blade	72 Vise (accessory)
7 Lower blade guard B	39 Blade case	73 Spacer block
8 Lower blade guard C (used in the miter saw mode only)	40 Arrow	74 Guide fence
9 Push button	41 Outer flange	75 Aluminum extrusion
10 Riving knife	42 Inner flange	76 Face/edge parallel
11 Top blade guard (used in the table saw mode)	43 Spindle	77 Wood screw
12 Top surface of turn base	44 Ring	78 Guide together
13 Periphery of blade	45 Clamping nut	79 Push stick
14 Guide fence	46 Blade width	80 Auxiliary fence
15 Lower limit stopper	47 Rip fence holder	81 Push block
16 Nut	48 Guide rail	82 Cross cutting
17 Adjusting bolt	49 Clamping screw (A)	83 Mitering
18 Clamping screw	50 Clamping screw (B)	84 Bevel cutting
19 Handle	51 Rip fence	85 Compound mitering (angles)
20 Turn table	52 Line to be aligned with: Line (A)	86 Knob
21 Lever	53 Top table	87 Tool part to be held carrying
22 Cutting depth adjusting knob	54 Workpiece	88 Triangular rule
23 Switch in the miter saw mode	55 Square nut	89 0° adjusting bolt
24 Switch in the table saw mode	56 Scale	90 45° adjusting bolt
25 Lock-off button	57 Adjusting screw	91 Top surface of turn table
26 Switch trigger	58 Top blade guard	92 Arm
27 On button	59 Miter gauge fence	93 Bevel scale
28 Off button	60 Miter gauge	94 Pointer
29 Stopper pin	61 Grooves	95 Limit mark
30 Hex wrench	62 Dust nozzle	96 Brush holder cap
31 Wrench holder	63 Dust bag	97 Screwdriver
32 Hook	64 Fastener	
	65 Elbow	
	66 Vise rod	

SPECIFICATIONS

Model	LF1000
Blade diameter	260 mm
Blade body thickness	1.8 mm – 2.0 mm
Riving knife thickness	2.2 mm
Hole diameter	
For European countries	30 mm
Max. Cutting capacities (H x W) with blade 260 mm in diameter in the miter saw mode	

Bevel angle	Miter angle
	0°
0°	20 mm x 180 mm
	68 mm x 155 mm
45° (left)	50 mm x 150 mm

Max. Cutting capacities at 90° in the table saw (bench saw mode)	70 mm
No load speed (min ⁻¹)	2,700
Table size (W x L)	500 mm x 555 mm
Dimensions (L x W x H1 (note 1) / H2 (note 2)) at miter saw mode	660 mm x 650 mm x 1,220 mm / 800 mm
in table saw mode	660 mm x 650 mm x 1,060 mm / 845 mm
Net weight	36 kg
Safety class	II

(Note 1) H1: Height up to the tool head

(Note 2) H2: Height up to the table

- Due to our continuing program of research and development, the specifications herein are subject to change without notice.
- Specifications may differ from country to country.
- Weight according to EPTA-Procedure 01/2003

ENE061-1

Intended use

The tool is intended for accurate straight and miter cutting in wood. The tool can be used both in miter saw mode and in table saw mode by turning over the table around its axis.

ENF002-2

Power supply

The tool should be connected only to a power supply of the same voltage as indicated on the nameplate, and can only be operated on single-phase AC supply. They are double-insulated and can, therefore, also be used from sockets without earth wire.

GEA010-1

General Power Tool Safety Warnings

⚠ WARNING Read all safety warnings and all instructions. Failure to follow the warnings and instructions may result in electric shock, fire and/or serious injury.

Save all warnings and instructions for future reference.

ENB094-6

FLIP OVER SAW SAFETY WARNINGS

FOR BOTH MITER SAW MODE AND TABLE SAW (BENCH SAW) MODE:

1. Check the blade carefully for cracks or deformation before operation.
Replace damaged blade immediately.
2. Do not operate saw without guards and riving knife in place, especially after a mode change. Check blade guards for proper closing before each use. Do not operate saw if blade guards do not move freely and close instantly. Never clamp or tie the blade guards into the open position. Any irregular operation of the blade guards should be corrected immediately.
3. Use only saw blades specified by the manufacturer and which conform to EN847-1. The groove width of the cut must be thicker than the riving knife and the blade body must be thinner than the riving knife.
4. Do not use saw blades manufactured from high speed steel.
5. Wear eye protection.
6. Wear hearing protection to reduce the risk of hearing loss.
7. Wear gloves for handling saw blades (saw blades shall be carried in a holder wherever practicable) and rough material.
8. Connect the tool to a dust collecting device when sawing.
9. Always store the push-stick when it is not in use.
10. Keep the floor area around the tool level well maintained and free of loose materials e.g. chips and cut-offs.
11. The operator is adequately trained in the use, adjustment and operation of the tool.
12. Stop and unplug the saw when unattended.
13. To reduce the emitted noise, always be sure that the blade is sharp and clean.
14. Use only saw blades that are marked with a maximum speed equal to or higher than the no load speed marked on the tool.
15. Never remove any cut-offs or other parts of the workpiece from the cutting area whilst the tool is running with an unguarded saw blade.
16. The tool should not be used for slotting, rebating or grooving.
17. Clean and be careful not to damage the spindle, flanges (especially the installing surface) and fixing bolt before or when installing the blade. Damage to these parts could result in blade breakage. Poor installation may cause vibration/wobbling or slippage of the blade. Use only flanges specified for this tool.
18. Always use accessories recommended in this manual. Use of improper accessories such as abrasive cut-off wheels may cause an injury.
19. Select the correct saw blade for the material to be cut.
20. Do not cut metal objects such as nails and screws. Inspect for and remove all nails, screws and other foreign material from the workpiece before operation.
21. Knock out any loose knots from workpiece BEFORE beginning to cut.
22. Do not use the tool in the presence of flammable liquids or gases.
23. For your safety, remove the chips, small pieces, etc. from the work area and table top before plugging the tool and starting operation.
24. Keep hands and make your bystander and yourself position out of path of and not in line with saw blade. Avoid contact with any coasting blade. It can still cause severe injury and never reach around saw blade.
25. Be alert at all times, especially during repetitive, monotonous operations. Do not be lulled into a false sense of security. Blades are extremely unforgiving.
26. Make sure the shaft lock is released before the switch is turned on.
27. Before using the tool on an actual workpiece, let it run for a while. Watch for vibration or wobbling that could indicate poor installation or a poorly balanced blade.
28. Wait until the blade attains full speed before cutting.
29. Refrain from removing any cut-offs or other parts of the workpiece from the cutting area whilst the tool is running and the saw head is not in the rest position.
30. Stop operation immediately if you notice anything abnormal.
31. Turn off tool and wait for saw blade to stop before moving workpiece or changing settings.
32. Unplug tool before changing blade, servicing or not in use.
33. Some dust created from operation contains chemicals known to cause cancer, birth defects or other reproductive harm. Some examples of these chemicals are:
 - lead from lead-based-painted material and,
 - arsenic and chromium from chemically-treated lumber.

Your risk from these exposures varies, depending on how often you do this type of work. To reduce your exposure to these chemicals: work in a well ventilated area and work with approved safety equipment, such as those dust masks that are specially designed to filter out microscopic particles.

34. Make sure that the table is securely fixed with the lever after turning it over.

WHEN USING IN MITER SAW MODE:

35. Do not use the saw to cut other than wood, aluminum or similar materials.
36. Do not perform any operation freehand. The workpiece must be secured firmly against the turn table and guide fence with the vise during all operations. Never use your hand to secure the workpiece.
37. Ensure that the tool is stable before each cut.
38. Support long workpieces with appropriate additional supports.
39. Never cut so small workpiece which cannot be securely held by the vise. Improperly held workpiece may cause kickback and serious personal injury.
40. Make sure that the turn table is properly secured so it will not move during operation.
41. Make sure that the arm is securely fixed when beveling. Tighten the lever clockwise to fix the arm.
42. Make sure the blade does not contact the turn table in the lowest position and is not contacting the workpiece before the switch is turned on.
43. Hold the handle firmly. Be aware that the saw moves up or down slightly during start-up and stopping.

WHEN USING IN THE TABLE SAW (BENCH SAW) MODE:

44. Do not perform any operation freehand. Freehand means using your hands to support or guide the workpiece, in lieu of a rip fence.
45. Make sure that the turn table is fixed securely.
46. Make sure that the arm is securely fixed in the working position. Tighten the lever clockwise to fix the arm.
47. Use a push stick or a push block to avoid working with the hands and fingers close to the saw blade.
48. Make sure the blade is not contacting the riving knife or workpiece before the switch is turned on.
49. Pay particular attention to instructions for reducing risk of KICKBACK. KICKBACK is a sudden reaction to a pinched, bound or misaligned saw blade. KICKBACK causes the ejection of the workpiece from the tool back towards the operator. KICKBACKS CAN LEAD TO SERIOUS PERSONAL INJURY. Avoid KICKBACKS by keeping the blade sharp, by keeping the rip fence parallel to the blade, by keeping the riving knife and blade guard in place and operating properly, by not releasing the workpiece until you have pushed it all the way past the blade, and by not ripping a workpiece that is twisted or warped or does not have a straight edge to guide along the fence.

50. Avoid abrupt, fast feeding. Feed as slowly as possible when cutting hard workpieces. Do not bend or twist workpiece while feeding. If you stall or jam the blade in the workpiece, turn the tool off immediately. Unplug the tool. Then clear the jam.

51. Before turning over the tool, always make sure that the stopper pin has securely locked the tool head in the lowest position.

SAVE THESE INSTRUCTIONS.

WARNING:

DO NOT let comfort or familiarity with product (gained from repeated use) replace strict adherence to safety rules for the subject product. MISUSE or failure to follow the safety rules stated in this instruction manual may cause serious personal injury.

INSTALLATION

CAUTION:

- Keep the floor area around the tool level well maintained and free of loose materials such as chips and cut-offs.

Bench mounting (Fig. 1, 2 & 3)

For the fully-extended feet set up as the high table

When the tool cannot be set up stable, turn the adjusting nut at the foot of the tool for proper stability. Turn counterclockwise in top viewing to make the foot shorter and clockwise in top viewing to make it longer. After adjustment, make sure that the tool keep stable.

Install the fix plates with its angled end pointing outwards onto three feet of the tool with hex bolts. And secure the tool to the stable and level surface using bolt holes provided in the fix plates with three bolts.

For the folded feet set up as the low table

When the tool is ready in the foot-folded position, secure the tool by using U-shaped grooves shown in the figure.

FUNCTIONAL DESCRIPTION

CAUTION:

- Always be sure that the tool is switched off and unplugged before adjusting or checking function on the tool.

Blade guard (Fig. 4, 5 & 6)

CAUTION:

- Make sure that the handle cannot be lowered without pushing the lever nearby the handle to the left.
- Make sure that the lower blade guards A dose not open unless the lever near the handle is pushed at the top-most position of the handle.
- Make sure that the lower blade guard C is installed before using in miter saw mode.

When lowering the handle while pushing the lever to the left, the lower blade guard A rises automatically. The lower blade guard B rises as it contacts a workpiece. The lower blade guards are spring loaded so it returns to its original position when the cut is completed and the handle is raised. The top blade guard falls flat on the table surface after workpiece has passed under it. **NEVER DEFEAT OR REMOVE THE LOWER BLADE GUARDS, THE SPRING WHICH ATTACHES TO THE LOWER BLADE GUARD, OR THE TOP BLADE GUARD** except for the note below.

In the interest of your personal safety, always maintain each blade guard in good condition. Any irregular operation of the guards should be corrected immediately. Check to assure spring loaded return action of the lower blade guards. **NEVER USE THE TOOL IF THE LOWER BLADE GUARD, SPRING OR THE TOP BLADE GUARD ARE DAMAGED, FAULTY OR REMOVED** except for the note below. **DOING SO IS HIGHLY DANGEROUS AND CAN CAUSE SERIOUS PERSONAL INJURY.**

NOTE:

- There are the following exceptions for removal of guards. Only when using in the table saw mode, the lower blade guard C is removed. Only when using in the miter saw mode, the top blade guard is removed.

If any of these see-through blade guards becomes dirty, or sawdust adheres to it in such a way that the blade is no longer easily visible, unplug the saw and clean the guards carefully with a damp cloth. Do not use solvents or any petroleum-based cleaners on the plastic guard.

If the lower blade guard A is especially dirty and vision through the guard is impaired, proceed as follows. Raise the handle fully. Remove the saw blade (Refer to the section "Installing or removing saw blade"). Raise the lower blade guard A while pushing the lever to the left. With the lower blade guard A so positioned, cleaning can be more completely and efficiently accomplished. When cleaning is complete, reverse procedure above and secure bolt.

In the same case for the top blade guard as above stated, push in the button at its front to the surface top and remove the top blade guard. After cleaning, always reinstall it securely.

If any of these blade guards becomes discolored through age or UV light exposure, contact a Makita service center for a new guard. **DO NOT DEFEAT OR REMOVE GUARDS.**

Maintaining maximum cutting capacity (Fig. 7)

This tool is factory adjusted to provide the maximum cutting capacity for a 260 mm saw blade.

When installing a new blade, always check the lower limit position of the blade and if necessary, adjust it as follows:

CAUTION:

- When making this adjustment, unplug the tool.

First, unplug the tool. Lower the handle completely. Use the wrench to turn the adjusting bolt until the periphery of the blade extends slightly below the top surface of the turn table at the point where the front face of the guide fence meets the top surface of the turn table.

With the tool unplugged, rotate the blade by hand while holding the handle all the way down to be sure that the blade does not contact any part of the lower base. Re-adjust slightly, if necessary.

CAUTION:

- After installing a new blade, always be sure that the blade does not contact any part of the lower base when the handle is lowered completely. Always do this with the tool unplugged.

This tool can be used with or without the lower limit by shifting the lower limit stopper as shown in the figure.

(Fig. 8)

To use the tool without the lower limit, turn the stopper end counterclockwise. Use in this position is proper to cut a wide and thin workpiece.

To use the tool with the lower limit, move the stopper end clockwise. Use in this position is proper to cut a thick workpiece.

Adjusting the miter angle (Fig. 9 & 10)

Loosen the clamping screw on the guide fence by turning counterclockwise. Turn the turn table by handle. When you have moved the handle to the position where the pointer points to the desired angle on the miter scale, securely tighten the clamping screw clockwise.

CAUTION:

- When turning the turn table, be sure to raise the handle fully.
- After changing the miter angle, always secure the turn table by tightening the clamping screw firmly.

Adjusting the bevel angle (Fig. 11 & 12)

In the miter saw mode

To adjust the bevel angle, loosen the lever at the rear of the tool counterclockwise.

Push the handle to the left to tilt the saw blade until the pointer points to the desired angle on the bevel scale. Then tighten the lever clockwise firmly to secure the arm.

CAUTION:

- When tilting the saw blade, be sure to raise the handle fully.
- After changing the bevel angle, always secure the arm by tightening the lever clockwise.

In the table saw mode (Fig. 13)

To adjust the bevel angle, loosen the lever under the table at the front of the tool counterclockwise.

Move the depth adjusting knob to the left to tilt the saw blade until the pointer points to the desired angle on the bevel scale. Then tighten the lever clockwise firmly to secure the arm.

Switch action (Fig. 14)

Switch for the miter saw mode

CAUTION:

- Before plugging in the tool, always check to see that the switch lever actuates properly and returns to the "OFF" position when released.
- When not using the tool, remove the lock-off button and store it in a secure place. This prevents unauthorized operation.
- Do not pull the switch lever hard without pressing in the lock-off button. This can cause switch breakage.

To prevent the switch lever from being accidentally pulled, a lock-off button is provided. To start the tool, push the lock lever to the left, press in the lock-off button and then pull the switch lever. Release the switch lever to stop.

Switch for the table saw mode

CAUTION:

- Before operation, make sure that the tool is turned on and off.

To start the tool, press the ON (I) button. To stop it, press the OFF (O) button.

Adjusting the depth of cut (Fig. 15)

The depth of cut can be adjusted by turning the cutting depth adjusting knob. Turn the cutting depth adjusting knob clockwise to raise the blade or counterclockwise to lower it.

WARNING:

- Use a shallow depth setting when cutting thin materials in order to obtain a cleaner cut.

CAUTION:

- The stopper pin cannot be turned with the tool head at fully lowered position. At this time, turn the knob counterclockwise slightly and the stopper pin can be released. (Fig. 16)

Overload protector

- Tools for 200 V or higher power supply only. Refer to nameplate on the tool for the rated voltage.
- When the load on the tool exceeds admissible levels, power to the motor is reduced to protect the motor from overheating. When the load returns to admissible levels, the tool will operate as normal.

ASSEMBLY

CAUTION:

- Always be sure that the tool is switched off and unplugged before carrying out any work on the tool.

Hex wrench storage (Fig. 17)

The hex wrench is stored as shown in the figure. When using the hex wrench, pull it out of the wrench holder. After using the hex wrench, return it to the wrench holder.

Table height two-way set up

The table height can be set up in two ways, high or low table.

WARNING:

- Before falling down the tool backwards, always set the tool in the miter saw mode and lock the tool head in the lowest position.

1. High table set up (Fig. 18)

To set up the tool with high table, proceed as follows.

- (1) Fall down the tool carefully BACKWARDS without fail while holding it with both hands.
- (2) Turn the hook in the direction of arrow in the figure to unbuckle the feet. Open the table feet on one side and push the bottom bar of the feet forward fully to be locked by itself. Take the same procedure for the feet on the opposite side. Make sure that the feet at both sides are completely locked.

WARNING:

- Make sure that the stopper hooks are perfectly positioned in the groove of the bracket.

- (3) Return the tool to the upright position.

2. Low table set up (Fig. 19)

The feet can be folded as shown in the figure. To fold down the tool, do as follows.

- (1) Fall down the tool carefully BACKWARDS without fail while holding it with both hands.

- (2) Pull up first the stopper at the joint of left feet toward yourself to unlock it
- (3) Take the same steps for the opposite feet as above.
- (4) Use a hook to bundle these feet.
- (5) Return the tool to the upright position.

Installing or removing saw blade

CAUTION:

- Always be sure that the tool is switched off and unplugged before installing or removing the blade.
- Use only the Makita hex wrench provided to install or remove the blade. Failure to do so may result in over-tightening or insufficient tightening of the hex socket bolt. This could cause an injury.

Move up the handle in the fully raised position.

Press the shaft lock to lock the spindle, use the hex wrench to loosen the hex socket bolt clockwise. (Fig. 20) Raise the blade guard A with its lifting lever while pushing the lever nearby the handle to the left. With the blade guard A raised, remove the hex socket bolt, outer flange and blade. (Fig. 21)

To install the blade, mount it carefully onto the spindle, making sure that the direction of the arrow on the surface of the blade matches the direction of the arrow on the blade case. Install the outer flange and hex socket bolt, and then use the hex wrench to tighten the hex socket bolt (left-handed) securely counterclockwise while pressing the shaft lock. (Fig. 22 & 23)

NOTE:

- When installing a saw blade, be sure to insert it between the blade guard B at first and then raise it so that the blade is finally placed in the blade guard B.

CAUTION:

- The ring 25.4 mm or 30 mm in outer diameter is factory-installed onto the spindle. Before mounting the blade onto the spindle, always be sure that the correct ring for the arbor hole of the blade you intend to use is installed onto the spindle. (Fig. 24)

Return the lower blade guard A to its original position. Lower the handle to make sure that the lower blade guards move properly. Make sure shaft lock has released spindle before making cut.

Adjusting riving knife

There must be a clearance of about 5 – 6 mm between the riving knife and the blade teeth when pushing the riving knife toward the blade fully. Adjust the riving knife accordingly by first loosening clamping nut by hand counterclockwise and then loosening hex socket bolt counterclockwise with the hex wrench, and measuring the distance. After adjustment, securely tighten the hex socket bolt and then the clamping nut clockwise. Always check to see that the riving knife is secured and that the top blade guard works smoothly before cutting. (Fig. 25 & 26)

The riving knife has been installed before shipment from the factory so that the blade and riving knife are in a straight line after your simple set-up. Refer to the section titled "Repositioning riving knife" for the set-up. (Fig. 27)

CAUTION:

- If the blade and riving knife are not aligned properly, a dangerous pinching condition may result during operation. Make sure the riving knife is positioned between both outer ends of the blade teeth when viewing from the top. You could suffer serious personal injury while using the tool without a properly aligned riving knife. If they are not aligned for any reasons, always have Makita authorized service center repair it.
- When adjusting the riving knife clearance from the blade teeth, always loosen the hex socket bolt only after loosening the clamping nut.

Installing and adjusting rip fence (Fig. 28)

1. Install the rip fence on the table so that the rip fence holder engages with the guide rail. Tighten the clamping screw (B) of the rip fence firmly clockwise.
2. Loosen the clamping screw (A).
3. Slide the rip fence and secure it so that the far end from you of the rip fence is aligned with the point at which the front edge of saw blade just appears from top surface of the workpiece. The purpose of this adjustment is to reduce risk of kick-back toward operator that cut piece from the workpiece is pinched between the saw blade and rip fence and finally pushed out toward operator. The line (A) varies by thickness of workpiece or the table level. Adjust the position of the rip fence according to the thickness of the workpiece.
After adjusting the rip fence, tighten the clamping screw (A) firmly. (Fig. 29)

NOTE:

- There are four patterns to position the rip fence as shown in the figure. Rip fence has two slits on its sides, one slit with an elevated fringe nearby on the same side and the other without it. Use the surface of rip fence with this fringe facing the workpiece only when cutting off into a piece of a thin workpiece.
- To change the rip fence pattern, remove the rip fence from the rip fence holder by loosening the clamping screw (A) and change the facing of the rip fence to the rip fence holder so that the rip fence faces the rip fence holder according to your work as shown in the figure. Insert the square nut on the rip fence holder into the back end of either slit of the rip fence so that they fit as shown in the figure.

To change from the pattern A or B to the pattern C or D, or in adverse case, remove the square nut and clamping screw (A) from the rip fence holder, then position the clamping screw (A) and square nut on the opposite position of the rip fence holder compared to the original position. Tighten the clamping screw (A) securely after inserting the square nut of the rip fence holder into the rip fence slit.

Insert the square nut on the rip fence holder into the back end of either slit of the rip fence so that they fit as shown in the figures. (Fig. 30 & 31)

The rip fence is factory adjusted so that it is parallel to the blade surface. Make sure that it is parallel. To check to be sure that the rip fence is parallel with the blade, adjust the blade height with the cutting depth adjusting knob so that the blade appears at the topmost position from the table. Mark one of the blade teeth with a crayon. Measure the distance (A) and (B) between the rip fence and blade. Take both measurements using the tooth marked with the crayon. These two measurements should be identical. If the rip fence is not parallel with the blade, proceed as follows: (Fig. 32 & 33)

- (1) Turn the adjusting screw counterclockwise.
- (2) Shift the front edge of the rip fence slightly to right or left until it becomes parallel with the blade.
- (3) Tighten the adjusting screw on the rip fence firmly.

CAUTION:

- Be sure to adjust the rip fence so that it is parallel with the blade, or a dangerous kickback condition may occur.
- Be sure to adjust the rip fence so that it does not contact the top blade guard or saw blade. (Fig. 34)
- Do not relocate or carry the tool by rip fence.
- Raising the installed rip fence or exerting a force on it to the right and left with your hand grabbing its top end may damage it and impair its function.

Installing and adjusting miter gauge (Fig. 35)

Install the miter gauge by inserting its shaft into one of two grooves in the table from the front. Miter gauge fence that is also used as rip fence can be installed on the miter gauge according to your work.

Dust bag

The use of the dust bag makes cutting operations clean and dust collection easy. To attach the dust bag, fit it onto the dust nozzle. (Fig. 36)

When the dust bag is about half full, remove the dust bag from the tool and pull the fastener out. Empty the dust bag of its contents, tapping it lightly so as to remove particles adhering to the insides which might hamper further collection. (Fig. 37)

If you connect a vacuum cleaner to your saw, more efficient and cleaner operations can be performed. (Fig. 38)

Elbow (Fig. 39)**CAUTION:**

- Point the discharge opening of the elbow to the direction in which the exhaust dust and chips do not fly out toward the tool and persons in work area.

Attach the elbow when changing the direction of dust discharge.

Securing workpiece**WARNING:**

- It is extremely important to always secure the workpiece properly and tightly with the vise. Failure to do so can cause the tool to be damaged and/or the workpiece to be destroyed. PERSONAL INJURY MAY ALSO RESULT. Also, after a cutting operation, DO NOT raise the blade until the blade has come to a complete stop.

Sub-fence (Fig. 40)

The sub-fence can be installed on the guide fence. When performing left bevel cuts or cutting as table saw (bench mode), remove the sub-fence.

CAUTION:

- When performing left bevel cuts or cutting as table saw (bench mode), remove the sub-fence. Otherwise, it will contact the blade or a part of the tool, causing possible serious injury to the operator.

Vertical vise (Fig. 41)

The vertical vise can be installed in two positions on either the left or right side of the guide fence. Insert the vise rod into the hole in the guide fence and tighten the clamping screw to secure the vise rod.

Position the vise arm according to the thickness and shape of the workpiece and secure the vise arm by tightening the clamping screw. If the screw to secure the vise arm contacts the guide fence, install the clamping screw on the opposite side of vise arm. Make sure that no part of the tool contacts the vise when lowering the handle all the way. If some part contacts the vise, re-position the vise.

Press the workpiece flat against the guide fence and the turn table. Position the workpiece at the desired cutting position and secure it firmly by tightening the vise knob.

CAUTION:

- The workpiece must be secured firmly against the turn table and guide fence.

Setting up the tool in table saw mode**CAUTION:**

- Before use in the table saw mode, make sure that the turn table has been secured at 0° miter angle with the clamping screw on the guide fence.
- Before use in the table saw mode, make sure that the tool head has been secured with the lever.
- Before use in the table saw mode, make sure that the riving knife has been secured in place properly.
- Before use in the table saw mode, remove the lower blade guard C.
- In table saw mode, release the lower limit stopper.

The tool is shipped from the factory with the set-up in miter saw mode. Before use in table saw mode, change the set up and follow the procedure below.

1. Securing the turn table (Fig. 42)

To secure the turn table, tighten the clamping screw firmly on the guide fence at 0° miter angle.

2. Securing the tool head (Fig. 43)

Secure the tool head by tightening the lever in the direction of arrow shown in the figure.

3. Releasing the lower limit stopper (Fig. 44)

Make sure that the end of the lower limit stopper is at the A position in the figure. Turn the end of the lower limit stopper counterclockwise to the A position when it is positioned at the B position.

4. Repositioning the riving knife (Fig. 45)

The position (Fig. 45-A) should be changed as follows.

- (1) Loosen the clamping nut. (Fig. 45-B)
- (2) Pull and pivot the riving knife to the position at the angle of 90° in the direction of arrow. (Fig. 45-C) And push in it slightly so that it become still in this position.
- (3) Raise the lower blade guard A fully using its lug by hand while pushing the lever nearby the handle to the left, and release the lever nearby the handle. (Fig. 45-D)

- (4) Push the riving knife in the direction of arrow (see Fig. 45-E) so that it is aligned with the saw blade.
- (5) After pushing the riving knife in the direction of arrow shown in the figure, release the lower blade guard A.
- (6) After aligning the riving knife, tighten the clamping nut securely (see Fig. 45-F).

5. Removing the lower blade guard C (Fig. 46)

Remove the lower blade guard C from the table by loosening the clamping screw.

6. Locking the tool head at fully lowered position (Fig. 47 & 48)

After setting up the riving knife in position for table saw mode, pull the stopper in the direction of arrow A and turn it to the angle of 90° in the direction of arrow B with the stopper pulled. Then lower the handle to lock the tool head.

CAUTION:

- When the tool head cannot be locked in the fully lowered position, turn the depth adjusting knob by several turns clockwise.
- Before turning over the tool, always make sure that the stopper pin has securely locked the tool head in the lowest position.

7. Turning over the tool (Fig. 49)**WARNING:**

- Make sure that the tool is switched off and unplugged before turning over.
- When pushing down the lever, be sure to place your hand/finger away from the lever-table fitting area. Hold the middle edge of table with one hand, push the lever down with the other hand while holding the table edge firmly and pivot the table carefully to turn it over. Keep holding it until it locks.

8. Installing the top blade guard (Fig. 50)

Push the push button of the top blade guard to its side surface, place it on the notch of the riving knife with the button depressed and release the button.

After releasing the push button, make sure that the top blade guard is secured by trying to pull it out.

CAUTION:

- After installing the top blade guard, make sure that it works smoothly.

Setting up the tool in miter saw mode (Fig. 51)**WARNING:**

- Be sure to install the lower blade guard C before using the tool in miter saw mode.

To change the set up from table saw mode to miter saw mode, reverse the procedure of the section titled "Setting up the tool in table saw mode".

1. Removing the top blade guard

Push the push button of the top blade guard to its side surface and then just take away the top blade guard upward with the button depressed.

2. Installing the lower blade guard C

Place the lower blade guard C on the table so that it fits in the slot of the table and tightening the clamping screw firmly.

3. Turning over the tool

Refer to the same titled section in the "Setting up the tool in table saw mode".

4. Releasing the tool head from fully lowered position

While holding the handle, pull the stopper pin in the direction of arrow A, turn it to the angle of 90° in the direction of arrow B with the stopper pin pulled and then raise the handle slowly.

5. Repositioning riving knife (Fig. 52)

The position of riving knife (Fig. 52-A) should be changed as follows.

- (1) Loosen the clamping nut and hold the lower blade guard A using its lug by hand. (Fig. 52-B)
- (2) While holding the lower blade guard A, pull the riving knife so that it turns and pivot it to the position in the direction of arrow. (Fig. 52-C)
- (3) With the riving knife held in that position, return the lower blade guard A to the original position and tighten the clamping nut securely. (Fig. 52-D & E)

OPERATION

CAUTION:

- Before use, be sure to release the handle from the lowered position by pulling the stopper pin and turning it to the angle of 90°.
- Make sure the blade is not contacting the workpiece, etc. before the switch is turned on.

CUTTING AS MITER SAW

WARNING:

- Make sure that the lower blade guard C is installed before using in miter saw mode.

CAUTION:

- Do not apply excessive pressure on the handle when cutting. Too much force may result in overload of the motor and/or decreased cutting efficiency. Push down handle with only as much force as is necessary for smooth cutting and without significant decrease in blade speed.
- Gently press down the handle to perform the cut. If the handle is pressed down with force or if lateral force is applied, the blade will vibrate and leave a mark (saw mark) in the workpiece and the precision of the cut will be impaired.

1. Press cutting (Fig. 53)

Secure the workpiece against guide fence and turn table. Switch on the tool without the blade making any contact and wait until the blade attains full speed before lowering. Then gently lower the handle to the fully lowered position to cut the workpiece. When the cut is completed, switch off the tool and WAIT UNTIL THE BLADE HAS COME TO A COMPLETE STOP before returning the blade to its fully elevated position.

2. Miter cutting

Refer to the previously covered "Adjusting the miter angle".

3. Bevel cut (Fig. 54)

Loosen the lever and tilt the saw blade to set the bevel angle (Refer to the previously covered "Adjusting the bevel angle"). Be sure to retighten the lever firmly to secure the selected bevel angle safely. Secure the workpiece against guide fence and turn table. Switch on the tool without the blade making any contact and wait until the blade attains full speed. Then gently lower the handle to the fully lowered position while applying pressure in parallel with the blade. When the cut is completed, switch off the tool and WAIT UNTIL THE BLADE HAS COME TO A COMPLETE STOP before returning the blade to its fully elevated position.

CAUTION:

- Always be sure that the blade will move down to bevel direction during a bevel cut. Keep hands out of path of saw blade.
- During a bevel cut, it may create a condition whereby the piece cut off will come to rest against the side of the blade. If the blade is raised while the blade is still rotating, this piece may be caught by the blade, causing fragments to be scattered which is dangerous. The blade should be raised ONLY after the blade has come to a complete stop.
- When pressing the handle down, apply pressure parallel to the blade. If the pressure is not parallel to the blade during a cut, the angle of the blade might be shifted and the precision of the cut will be impaired.
- Always remove the sub-fence when performing left bevel cuts.

4. Compound cutting

Compound cutting is the process in which a bevel angle is made at the same time in which a miter angle is being cut on a workpiece. Compound cutting can be performed at angle shown in the table.

Bevel angle	Miter angle
45°	Left and Right 0 – 45°

006366

When performing compound cutting, refer to "Press cutting", "Miter cutting" and "Bevel cut" explanations.

5. Cutting aluminum extrusion (Fig. 55)

When securing aluminum extrusions, use spacer blocks or pieces of scrap as shown in the figure to prevent deformation of the aluminum. Use a cutting lubricant when cutting the aluminum extrusion to prevent build-up of the aluminum material on the blade.

CAUTION:

- Never attempt to cut thick or round aluminum extrusions. Thick aluminum extrusions may come loose during operation and round aluminum extrusions cannot be secured firmly with this tool.
- Never cut aluminum in the table saw mode (bench mode).

CUTTING AS TABLE SAW (BENCH MODE)

CAUTION:

- Always use "work helpers" such as push sticks and push blocks when there is a danger that your hands or fingers will come close to the blade.
- Always hold the workpiece firmly with the table and the rip fence. Do not bend or twist it while feeding. If the workpiece is bent or twisted, dangerous kickbacks may occur.

- NEVER withdraw the workpiece while the blade is running. If you must withdraw the workpiece before completing a cut, first switch the tool off while holding the workpiece firmly. Wait until the blade has come to a complete stop before withdrawing the workpiece. Failure to do so may cause dangerous kickbacks.
- NEVER remove cut-off material while the blade is running.
- NEVER place your hands or fingers in the path of the saw blade.
- Always secure the rip fence firmly, or dangerous kickbacks may occur.
- Always use “work helpers” such as push sticks and push blocks when cutting small or narrow workpieces, or when the is hidden from view while cutting.
- When cutting as table saw (bench mode), remove the sub-fence.

Work helpers

Push sticks, push blocks or auxiliary fence are types of “work helpers”. Use them to make safe, sure cuts without the need for the operator to contact the blade with any part of the body.

Push block (Fig. 56)

Use a 19 mm piece of plywood.

Handle should be in center of plywood piece. Fasten with glue and wood screws as shown. Small piece 9.5 mm x 8 mm x 50 mm of wood must always be glued to plywood to keep the blade from dulling if the operator cuts into push block by mistake. (Never use nails in push block.)

Auxiliary fence (Fig. 57)

Make auxiliary fence from 9.5 mm and 19 mm plywood pieces.

Ripping

CAUTION:

- When ripping, remove the miter gauge from the table.
- When cutting long or large workpieces, always provide adequate support behind the table. DO NOT allow a long board to move or shift on the table. This will cause the blade to bind and increase the possibility of kickback and personal injury. The support should be at the same height as the table.

1. Adjust the depth of cut a bit higher than the thickness of the workpiece. To make this adjustment, refer to the section titled “Adjusting the depth of cut”.
2. Position the rip fence to the desired width of rip and secure in place by tightening the clamping screw (A). Before ripping, make sure the two screws of the rip fence holder are secured. If it is not secured enough, retighten it.
3. Turn the tool on and gently feed the workpiece into the blade along with the rip fence.

- (1) When the width of rip is 150 mm and wider, carefully use one hand to feed the workpiece. Use another hand to hold the workpiece in position against the rip fence. (Fig. 58)

- (2) When the width of rip is 65 mm – 150 mm wide, use the push stick to feed the workpiece. (Fig. 59)

- (3) When the width of rip is narrower than 65 mm, the push stick cannot be used because the push stick will strike the blade guard. Use the auxiliary fence and push block. Attach the auxiliary fence to the rip fence with two “C” clamps. (Fig. 60)

Feed the workpiece by hand until the end is about 25 mm from the front edge of the top table. Continue to feed using the push block on the top of the auxiliary fence until the cut is complete. (Fig. 61)

Cross cutting

CAUTION:

- When making a crosscut, remove the rip fence from the table.
- When cutting long or large workpieces, always provide adequate support to the sides of the table. The support should be at the same height as the table.
- Always keep hands away from the path of blade.

Miter gauge (Fig. 62)

Use the miter gauge for the 4 types of cutting shown in the figure.

CAUTION:

- Secure the knob on the miter gauge carefully.
- Avoid creep of workpiece and gauge by firm work-holding arrangement, especially when cutting at an angle.
- NEVER hold or grasp the intended “cut-off” portion of the workpiece.

Use of miter gauge (Fig. 63)

Slide the miter gauge into the thick grooves in the table. Loosen the knob on the gauge and align to desired angle (0° to 60°). Bring stock flush up against fence and feed gently forward into the blade.

Auxiliary wood facing (miter gauge) (Fig. 64)

To prevent a long board from wobbling, fit the miter gauge with an auxiliary fence board. Fasten with bolts/nuts after drilling holes, but fasteners must not protrude from the face board.

Carrying tool (Fig. 65)

Make sure that the tool is unplugged. For the tool just used in the miter saw mode, secure the blade at 0° bevel angle and the turn table at 0° miter angle. Lower the handle fully and lock it in the lowered position by fully pushing in the stopper pin.

Carry the tool by holding the tool part shown in the figure. (Fig. 66)

CAUTION:

- Always secure all moving portions before carrying the tool.
- Before carrying the tool, always set up the tool in the miter saw mode.
- Make sure that the lower blade guard C is installed on the tool.

MAINTENANCE

CAUTION:

- Always be sure that the tool is switched off and unplugged before attempting to perform inspection or maintenance.
- Never use gasoline, benzine, thinner, alcohol or the like. Discoloration, deformation or cracks may result.

WARNING:

- Always be sure that the blade is sharp and clean for the best and safest performance.

Adjusting the cutting angle

This tool is carefully adjusted and aligned at the factory, but rough handling may have affected the alignment. If your tool is not aligned properly, perform the following:

1. Miter angle

Miter angle 0° adjusting bolts are located in four positions.

Loosen four miter angle 0° adjusting bolts by turning counterclockwise from the underside of the table. (Fig. 67)

Lower the handle fully and lock it in the lowered position by pulling and rotating the stopper pin to the angle of 90° clockwise. Square the side of the blade with the face of the guide fence using a triangular rule, try-square, etc. Then securely tighten the four adjusting bolts on the sub arm from the underside of the table. Make sure that the pointer points to 0° on the miter scale. If not so, adjust the pointer position by loosening the screw securing the pointer. After adjusting it, securely tighten the screw. (Fig. 68)

2. Bevel angle

(1) 0° bevel angle

Lower the handle fully and lock it in the lowered position by pulling and rotating the stopper pin to the angle of 90° clockwise. Loosen the lever at the rear of the tool.

Turn, from the underside of the table, the 0° bevel angle adjusting bolt on the right side of the sub arm two or three revolutions counterclockwise to tilt the blade to the right. (Fig. 69)

Carefully square the side of the blade with the top surface of the turn table using the triangular rule, try-square, etc. by turning the 0° bevel angle adjusting bolt clockwise. (Fig. 70)

Make sure that the pointer on the turn table point to 0° on the bevel scale on the arm. If it does not point to 0°, loosen the screw which secures the pointer and adjust the pointer so that it will point to 0°.

(2) 45° bevel angle

Adjust the 45° bevel angle only after performing 0° bevel angle adjustment. To adjust left 45° bevel angle, loosen the lever and tilt the blade to the left fully. Make sure that the pointer on the arm points to 45° on the bevel scale on the arm. If the pointer does not point to 45°, turn, from the underside of the table, the 45° bevel angle adjusting bolt on the left side of the sub arm until the pointer points to 45°. (Fig. 71)

Replacing carbon brushes (Fig. 72 & 73)

Remove and check the carbon brushes regularly. Replace when they wear down to the limit mark. Keep the carbon brushes clean and free to slip in the holders. Both carbon brushes should be replaced at the same time. Use only identical carbon brushes.

Use a screwdriver to remove the brush holder caps. Take out the worn carbon brushes, insert the new ones and secure the brush holder caps.

After use

- After use, wipe off chips and dust adhering to the tool with a cloth or the like to assure maximum service life. Keep the blade guards clean according to the directions in the previously covered section titled "Blade guard". Lubricate the sliding portions with machine oil to prevent rust.

To maintain product SAFETY and RELIABILITY, repairs, any other maintenance or adjustment should be performed by Makita Authorized Service Centers, always using Makita replacement parts.

OPTIONAL ACCESSORIES

CAUTION:

- These accessories or attachments are recommended for use with your Makita tool specified in this manual. The use of any other accessories or attachments might present a risk of injury to persons. Only use accessory or attachment for its stated purpose.

If you need any assistance for more details regarding these accessories, ask your local Makita service center.

- Steel & Carbide-tipped saw blades
- Vertical vise
- Hex wrench 6
- Dust bag
- Triangular rule
- Dust cover (Lower blade guard C)
- Push stick
- Ruler assembly (Rip fence)
- Miter gauge
- Fix plate (3 pieces)
- Hex bolt (3 pieces)
- Elbow
- Top cover assy (Top blade guard)

NOTE:

- Some items in the list may be included in the tool package as standard accessories. They may differ from country to country.

ENG905-1

Noise

The typical A-weighted noise level determined according to EN61029:

Sound pressure level (L_{pA}): 91 dB (A)

Sound power level (L_{WA}): 108 dB (A)

Uncertainty (K): 3 dB (A)

Wear ear protection

ENG900-1

Vibration

The vibration total value (tri-axial vector sum) determined according to EN61029:

Vibration emission (a_{h1}): 2.5 m/s² or less

Uncertainty (K): 1.5 m/s²

ENG901-1

- The declared vibration emission value has been measured in accordance with the standard test method and may be used for comparing one tool with another.
- The declared vibration emission value may also be used in a preliminary assessment of exposure.

WARNING:

- The vibration emission during actual use of the power tool can differ from the declared emission value depending on the ways in which the tool is used.
- Be sure to identify safety measures to protect the operator that are based on an estimation of exposure in the actual conditions of use (taking account of all parts of the operating cycle such as the times when the tool is switched off and when it is running idle in addition to the trigger time).

For European countries only

EC Declaration of Conformity

Makita declares that the following Machine(s):

Designation of Machine:

Flip Over Saw

Model No./ Type: LF1000

Conforms to the following European Directives:

2006/42/EC

They are manufactured in accordance with the following standard or standardized documents:

EN61029

The technical file in accordance with 2006/42/EC is available from:

Makita, Jan-Baptist Vinkstraat 2, 3070, Belgium

30.10.2014



Yasushi Fukaya
Director

Makita, Jan-Baptist Vinkstraat 2, 3070, Belgium

Descriptif

1	Écrou de réglage	29	Broche d'arrêt	65	Coude
2	Pied	30	Clé hexagonale	66	Tige de l'étau
3	Plaque de fixation	31	Support à clé	67	Poignée de l'étau
4	Boulon hexagonal	32	Crochet	68	Bras de l'étau
5	Rainures en U	33	Pieds	69	Tête porte-scie verrouillée en position complètement abaissée
6	Protecteur de lame inférieur A	34	Crochet d'arrêt	70	Zone de pose de la main ou du doigt sur le levier
7	Protecteur de lame inférieur B	35	Boulon à tête cylindrique à six pans creux	71	Crochets
8	Protecteur de lame inférieur C (s'utilise en mode de scie à coupe d'onglet uniquement)	36	Blocage de l'arbre	72	Étau (accessoire)
9	Bouton-poussoir	37	Levier de relevage	73	Cale d'écartement
10	Couteau diviseur	38	Lame	74	Guide
11	Protecteur de lame supérieur (s'utilise en mode de scie à circulaire à table)	39	Porte-lame	75	Profilé d'aluminium
12	Face supérieure du plateau tournant	40	Flèche	76	Face/bord parallèle
13	Bord de la lame	41	Flasque extérieur	77	Vis à bois
14	Guide de coupe	42	Flasque intérieur	78	Fixer la petite pièce de bois sous le contreplaqué
15	Butée de position limite inférieure	43	Axe	79	Bâton-poussoir
16	Écrou	44	Bague	80	Garde auxiliaire
17	Boulon de réglage	45	Écrou de serrage	81	Bloc-poussoir
18	Vis de serrage	46	Largeur de la lame	82	Coupe en biais
19	Poignée	47	Porte-garde	83	Onglet
20	Plateau tournant	48	Rail-guide	84	Coupe en biseau
21	Levier	49	Vis de serrage (A)	85	Onglet mixte (angles)
22	Bouton de réglage de la profondeur de coupe	50	Vis de serrage (B)	86	Bouton
23	Interrupteur en mode de scie à coupe d'onglet	51	Garde parallèle	87	Partie à saisir pour le transport
24	Interrupteur en mode de scie circulaire à table	52	Ligne d'alignement : Ligne (A)	88	Règle triangulaire
25	Bouton de déverrouillage	53	Table supérieure	89	Boulon de réglage 0°
26	Gâchette	54	Pièce à travailler	90	Boulon de réglage 45°
27	Bouton ON	55	Écrou carré	91	Face supérieure du socle rotatif
28	Bouton OFF	56	Échelle	92	Bras
		57	Vis de réglage	93	Échelle de coupe en biseau
		58	Protecteur de lame supérieur	94	Index
		59	Garde de guide d'onglet	95	Repère d'usure
		60	Guide d'onglet	96	Bouchon de porte-charbon
		61	Rainures	97	Tournevis
		62	Raccord à poussières		
		63	Sac à poussières		
		64	Fermeture		

SPÉCIFICATIONS

Modèle	LF1000
Diamètre de lame	260 mm
Épaisseur du corps de la lame	1,8 mm – 2,0 mm
Épaisseur du couteau diviseur	2,2 mm
Diamètre de l'orifice	
Pour les pays d'Europe.....	30 mm
Capacités max. de coupe (Hauteur x Largeur) avec une lame à diamètre de 260 mm, en mode de scie à coupe d'onglet	

Angle de biseau	Angle de coupe d'onglet	
	0°	
0°	20 mm x 180 mm	68 mm x 155 mm
	50 mm x 150 mm	
45° (gauche)	50 mm x 150 mm	

Capacités max. de coupe à 90° en mode de scie circulaire à table (scie d'établi).....	70 mm
Vitesse à vide (min ⁻¹).....	2 700
Dimensions de la table (P x L).....	500 mm x 555 mm
Dimensions (L x L x H1 (note 1) / H2 (note 2))	
en mode de scie à coupe d'onglet.....	660 mm x 650 mm x 1 220 mm / 800 mm
en mode de scie circulaire à table.....	660 mm x 650 mm x 1 060 mm / 845 mm
Poids net.....	36 kg
Niveau de sécurité.....	II/II

(Note 1) H1 : Hauteur jusqu'au bras articulé

(Note 2) H2 : Hauteur jusqu'à la table

- Étant donné l'évolution constante de notre programme de recherche et de développement, les spécifications contenues dans ce manuel sont sujettes à modification sans préavis.
- Les spécifications peuvent varier suivant les pays.
- Poids selon la procédure EPTA 01/2003

ENE061-1

Utilisations

L'outil est conçu pour effectuer avec une grande précision des coupes rectilignes et des coupes d'onglet dans le bois. En retournant la table sur son axe, il est possible d'utiliser l'outil en mode de scie à coupe d'onglet ou de scie circulaire à table.

ENF002-2

Alimentation

L'outil ne devra être raccordé qu'à une alimentation de la même tension que celle qui figure sur la plaque signalétique, et il ne pourra fonctionner que sur un courant secteur monophasé. Réalisé avec une double isolation, il peut de ce fait être alimenté sans mise à la terre.

GEA010-1

Consignes de sécurité générales pour outils électriques

⚠ AVERTISSEMENT Veuillez lire toutes les mises en garde et toutes les instructions. Il y a risque de choc électrique, d'incendie et/ou de blessure grave si les mises en garde et les instructions ne sont pas respectées.

Conservez toutes les mises en garde et instructions pour référence ultérieure.

ENB094-6

CONSIGNES DE SÉCURITÉ RELATIVES AUX SCIES RETOURNABLES

POUR LE MODE DE SCIE À COUPE D'ONGLET ET LE MODE DE SCIE CIRCULAIRE À TABLE (SCIE D'ÉTABLI) :

1. Avant utilisation, assurez-vous que la lame n'est pas fissurée ni déformée. Remplacez immédiatement une lame endommagée.
2. N'utilisez pas la scie sans mettre en place les protecteurs et le couteau diviseur, en particulier après un changement de mode. Vérifiez les protecteurs de lame avant chaque utilisation pour vous assurer qu'ils recouvrent bien la lame. N'utilisez pas la scie si les protecteurs de lame ne se déplacent pas librement et ne recouvrent pas la lame instantanément. Ne fixez jamais ni attachez les protecteurs de lame en position ouverte. Tout fonctionnement anormal des protecteurs de lame doit être immédiatement corrigé.
3. Utilisez uniquement les lames de scie spécifiées par le fabricant et conformes à la norme EN847-1. L'épaisseur du couteau diviseur doit être inférieure à la largeur de coupe et supérieure à celle du corps de la lame.
4. N'utilisez pas de lames fabriquées en acier à coupe rapide.
5. Portez une protection oculaire.
6. Portez des protecteurs d'oreilles afin de réduire les risques de perte d'audition.

7. Portez des gants pour manipuler la lame (les lames doivent être transportées dans un étui lorsque possible) et les pièces de matériau rude.
8. Raccordez l'outil à un dispositif de collecte des poussières pour effectuer vos travaux de sciage.
9. Rangez toujours le bâton-poussoir une fois son utilisation terminée.
10. La surface de plancher qui entoure le point d'utilisation de l'outil doit être maintenue en bon ordre et exempte de matériaux tels que copeaux et retailles.
11. L'utilisateur doit avoir reçu une formation adéquate concernant l'utilisation, le réglage et le fonctionnement de l'outil.
12. Arrêtez et débranchez la scie lorsque vous la laissez sans surveillance.
13. Pour réduire le bruit émis par la lame, assurez-vous toujours qu'elle est bien affûtée et propre.
14. Utilisez uniquement des lames de scie sur lesquelles est indiquée une vitesse maximale égale ou supérieure à la vitesse à vide figurant sur l'outil.
15. N'enlevez jamais de la zone de coupe les chutes ou autres parties détachées de la pièce pendant que l'outil fonctionne avec une lame de scie sans protection.
16. L'outil ne doit pas être utilisé pour les opérations de taille, de feuillure ou de rainure.
17. Avant ou pendant l'installation de la lame, nettoyez et manipulez avec soin l'axe, les flasques (tout spécialement la surface d'installation) et le boulon de fixation pour éviter de les endommager. Tout dommage subi par ces pièces risquerait d'entraîner le bris de la lame. La lame risque de vibrer, d'osciller ou de glisser si elle n'est pas correctement installée. Utilisez exclusivement les flasques spécifiés pour cet outil.
18. Utilisez toujours les accessoires recommandés dans le présent manuel. L'utilisation d'accessoires inadéquats, tels que les meules à tronçonner abrasives, comporte un risque de blessure.
19. Sélectionnez la lame qui convient au type de matériau à couper.
20. Ne coupez pas d'objets de métal telles que les clous et vis. Avant de procéder à la coupe, vérifiez la pièce pour en retirer les clous, vis et autres corps étrangers.
21. AVANT de commencer la coupe, arrachez tous les nœuds lâches non adhérents de la pièce.
22. Ne vous servez pas de votre outil en présence de gaz ou liquides inflammables.
23. Pour votre propre sécurité, retirez les copeaux, petites pièces, etc., qui se trouvent dans la zone de travail ou sur la table supérieure avant de brancher l'outil et de l'utiliser.
24. Évitez que vos mains, ainsi que toute personne, y compris vous-même, ne se trouve sur la ligne de coupe de la lame. Évitez tout contact avec une lame «en roue libre». Même une lame en roue libre comporte un risque de blessure grave. Gardez les mains à l'écart de la lame.
25. Restez vigilant en tout temps, et surtout lors des sciages répétés et monotones. Ne vous laissez jamais prendre par un sentiment trompeur de sécurité. Les lames de scie ne pardonnent pas.

26. Assurez-vous que le blocage de l'arbre est relâché avant de mettre le contact.
27. Avant d'utiliser l'outil sur la pièce elle-même, laissez-le tourner un instant. Assurez-vous que la lame ne vibre ou ne tremble pas, ceci signifiant qu'elle est mal installée ou mal équilibrée.
28. Avant de scier, attendez que la lame ait atteint sa pleine vitesse.
29. Évitez de retirer de la zone de coupe les retailles et autres bouts détachés de la pièce pendant que l'outil tourne encore et que la tête porte-scie n'est pas en position de repos.
30. Arrêtez immédiatement le sciage si vous remarquez quoi que ce soit d'anormal.
31. Coupez le contact et attendez l'arrêt de la lame avant de déplacer la pièce ou de modifier les réglages.
32. Débranchez l'outil avant de changer la lame, avant de réparer l'outil et une fois l'utilisation terminée.
33. Les poussières dégagées lors de l'utilisation de l'outil peuvent contenir certains produits chimiques reconnus comme pouvant causer le cancer, des anomalies congénitales ou autres problèmes de reproduction. Parmi ces produits chimiques figurent notamment :
 - le plomb qui contiennent les matériaux recouverts de peinture à base de plomb, et
 - l'arsenic et le chrome qui contiennent le bois de construction traité chimiquement.

Les risques encourus variant suivant la fréquence d'exposition qu'implique votre travail. Pour réduire votre degré d'exposition à ces produits chimiques : travaillez dans une aire de travail bien aérée et utilisez des dispositifs de sécurité approuvés, tels que des masques à poussière spécialement conçus pour filtrer les particules microscopiques.
34. Après avoir retourné la table, assurez-vous qu'elle est bien immobilisée par le levier.

LORS DE L'UTILISATION EN MODE DE SCIE À COUPE D'ONCLE :

35. N'utilisez pas la scie pour couper tout autre matériau que le bois, l'aluminium et les matériaux similaires.
36. Ne sciez jamais à la volée. La pièce doit être fermement serrée contre le plateau tournant et le guide avec l'étau pendant toutes les opérations. N'utilisez jamais votre main pour immobiliser la pièce.
37. Assurez-vous que l'outil est stable avant chaque coupe.
38. Utilisez des cales supplémentaires adaptées pour soutenir les pièces de grande longueur.
39. Ne coupez jamais de petites pièces qu'il est impossible d'immobiliser avec l'étau. Une pièce mal immobilisée risque d'entraîner des chocs en retour et de provoquer des blessures.
40. Assurez-vous que le plateau tournant est bien fixé, afin qu'il ne risque pas de se déplacer pendant le sciage.
41. Assurez-vous que le bras est correctement fixé lors du chanfreinage. Pour serrer le bras, tournez le levier dans le sens des aiguilles d'une montre.

42. Avant de mettre le contact, assurez-vous que la lame, lorsqu'elle se trouve sur sa position inférieure, n'entre pas en contact avec le plateau tournant ou avec la pièce.
43. Tenez la poignée fermement. N'oubliez pas que la scie se déplace légèrement vers le haut ou le bas au démarrage et à l'arrêt.

LORS DE L'UTILISATION EN MODE DE SCIE CIRCULAIRE À TABLE (SCIE D'ÉTABLI) :

44. Ne sciez jamais à la volée. Le sciage à la volée consiste à utiliser les mains au lieu d'un garde parallèle pour soutenir ou guider la pièce.
45. Assurez-vous que le plateau tournant est correctement fixé.
46. Assurez-vous que le bras est correctement serré en position de travail. Pour serrer le bras, tournez le levier dans le sens des aiguilles d'une montre.
47. Utilisez un poussoir (bâton-poussoir ou bloc-poussoir) pour éviter d'avoir à poser les mains et les doigts près de la lame pendant le sciage.
48. Avant de mettre le contact, assurez-vous que la lame n'entre pas en contact avec le couteau diviseur ou la pièce.
49. Prêtez une attention particulière aux instructions concernant la réduction des risques de CHOC EN RETOUR. Le CHOC EN RETOUR désigne une réaction soudaine de l'outil qui se produit lorsque la lame est coincée, pincée ou désalignée. Lors d'un CHOC EN RETOUR l'outil éjecte la pièce vers l'utilisateur. LES CHOC EN RETOUR COMPORTENT UN RISQUE DE BLESSURE GRAVE. Évitez les CHOC EN RETOUR en maintenant la lame bien affûtée, le garde parallèle en position parallèle à la lame, le couteau diviseur et le protecteur de lame en place et en bon état de fonctionnement, en évitant de relâcher la pièce avant qu'elle ne se trouve complètement derrière la lame, et en évitant de scier en long une pièce tordue, déformée ou dont le bord est inégal et ne permet pas d'utiliser le guide.
50. Évitez de faire avancer l'outil de manière brusque ou rapide. Faites-le avancer le plus lentement possible lorsque vous coupez des pièces dures. Évitez de plier ou tordre la pièce pendant la progression de l'outil. Coupez immédiatement le contact si la lame se bloque ou se coince dans la pièce. Débranchez l'outil. Dégagez la lame.
51. Avant de retourner l'outil, assurez-vous toujours que le bras articulé est solidement verrouillé en position inférieure par la broche d'arrêt.

CONSERVEZ CES INSTRUCTIONS.

⚠ AVERTISSEMENT :

NE vous laissez PAS tromper (au fil d'une utilisation répétée) par un sentiment d'aisance et de familiarité avec le produit, en négligeant le respect rigoureux des consignes de sécurité qui accompagnent le produit en question. La MAUVAISE UTILISATION de l'outil ou l'ignorance des consignes de sécurité indiquées dans ce manuel d'instructions peut entraîner une blessure grave.

INSTALLATION

ATTENTION :

- La surface de plancher qui entoure le point d'utilisation de l'outil doit être maintenue en bon ordre et exempte de matériaux tels que copeaux et retables.

Montage de l'établi (Fig. 1, 2 et 3)

Pour installer la table en position haute avec les pieds complètement déployés

Si l'outil n'est pas stable lors de l'installation, tournez l'écran de réglage des pieds de l'outil pour assurer une stabilité adéquate. Tournez dans le sens inverse des aiguilles d'une montre (l'outil étant vu du haut) pour raccourcir les pieds et en sens pour les allonger. Une fois l'ajustement terminé, assurez-vous que l'outil demeure stable.

Posez les plaques de fixation sur les trois pieds de l'outil avec les boulons hexagonaux, de sorte que l'extrémité en angle des plaques pointe vers l'extérieur. Avec trois boulons, fixez ensuite l'outil à une surface stable et de niveau au moyen des orifices à boulon pratiqués dans les plaques de fixation.

Pour installer la table en position basse avec les pieds repliés

Une fois l'outil prêt pour l'installation en position pieds repliés, fixez-le au moyen des rainures en U indiquées sur l'illustration.

DESCRIPTION DU FONCTIONNEMENT

ATTENTION :

- Assurez-vous toujours que l'outil est hors tension et débranché avant de l'ajuster ou de vérifier son fonctionnement.

Protecteur de lame (Fig. 4, 5 et 6)

ATTENTION :

- Assurez-vous qu'il n'est pas possible d'abaisser la poignée sans avoir d'abord appuyé sur le levier situé près de la poignée, sur sa gauche.
- Assurez-vous que les protecteurs de lame inférieurs A ne s'ouvrent que si vous poussez sur la position supérieure de la poignée le levier qui se trouve près de cette dernière.
- Assurez-vous que le protecteur de lame inférieur C est installé avant d'utiliser l'outil en mode de scie à coupe d'onglet.

Le protecteur de lame inférieur A s'élève automatiquement si vous abaissez la poignée tout en poussant le levier sur la gauche. Le protecteur de lame inférieur B s'élève au contact de la pièce. Les protecteurs de lame inférieurs étant dotés d'un ressort, ils retournent en position initiale une fois la coupe terminée et la poignée élevée. Le protecteur de lame supérieur tombe à plat sur la surface de la table après que la pièce a passé sous le protecteur. **NE JAMAIS MODIFIER OU RETIRER LES PROTECTEURS DE LAME INFÉRIEURS, LE RESSORT FIXÉ AU PROTECTEUR DE LAME INFÉRIEUR, NI LE PROTECTEUR DE LAME SUPÉRIEUR, sauf dans les cas indiqués ci-dessous.**

Par mesure de sécurité personnelle, chacun des protecteurs de lame doit être maintenu en bonne condition. Tout fonctionnement anormal des protecteurs doit être immédiatement corrigé. Assurez-vous que le ressort assure le retour des protecteurs de lame inférieurs. **NE JAMAIS UTILISER L'OUTIL SI LE PROTECTEUR DE LAME INFÉRIEUR, LE RESSORT OU LE PROTECTEUR DE LAME SUPÉRIEUR EST ENDOMMAGÉ, DÉFECTUEUX OU RETIRÉ, sauf dans les cas indiqués ci-dessous. CELA EST TRÈS DANGEREUX ET COMPORTE UN RISQUE DE BLESSURE GRAVE.**

NOTE :

- Les exceptions suivantes s'appliquent pour le retrait des protecteurs. Le protecteur de lame inférieur C seulement se retire lors de l'utilisation en mode de scie circulaire à table. Le protecteur de lame supérieur se retire seulement lors de l'utilisation en mode de scie à coupe d'onglet.

Lorsque l'un des protecteurs de lame transparents est sale ou lorsque la sciure de bois y adhère au point que la lame ne soit plus bien visible, débranchez la scie et nettoyez soigneusement le protecteur avec un chiffon humide. N'utilisez pas de solvants ou tout autre nettoyeur à base de pétrole pour nettoyer le protecteur en plastique.

Si le protecteur de lame inférieur A est sale au point qu'il n'est plus possible de bien voir à travers, procédez comme suit. Élevez complètement la poignée. Retirez la lame (référez-vous à la section «Pose et dépose de la lame»). Élevez le protecteur de lame inférieur A tout en poussant le levier vers la gauche. Le nettoyage s'effectue de manière plus complète et efficace lorsque le protecteur de lame inférieur A se trouve dans cette position. Une fois le nettoyage terminé, suivez la procédure ci-dessus dans l'ordre inverse et serrez le boulon.

Lorsque c'est le protecteur de lame supérieur qui est sale, poussez le bouton à l'avant de ce protecteur jusqu'en haut et retirez le protecteur de lame supérieur. Après le nettoyage, vous devez toujours remettre le protecteur en place fermement.

Si l'un ou l'autre des protecteurs de lame se décolore avec le temps ou sous l'effet des rayons ultraviolets, contactez un centre de service après-vente Makita pour vous procurer un protecteur neuf. **NE MODIFIER PAS NI RETIRER LES PROTECTEURS.**

Maintien de la capacité de coupe maximale (Fig. 7)

Cet outil est réglé en usine pour offrir une capacité de coupe maximale avec une lame de 260 mm.

Lors de l'installation d'une lame neuve, vérifiez toujours la position limite inférieure de la lame et, si nécessaire, ajustez-la comme suit :

ATTENTION :

- Débranchez l'outil avant d'effectuer ce réglage.

Débranchez d'abord l'outil. Abaissez complètement la poignée. Utilisez la clé à douille pour tourner le boulon de réglage jusqu'à ce que la périphérie de la lame se trouve légèrement sous la face supérieure du plateau tournant, au point de rencontre entre la face avant du guide de coupe et la face supérieure du plateau tournant.

En laissant l'outil débranché, faites tourner la lame avec la main tout en maintenant la poignée complètement abaissée pour être sûr que la lame n'entre en contact avec aucune partie du socle inférieur. Si nécessaire, réajustez légèrement.

ATTENTION :

- Après l'installation d'une lame neuve, assurez-vous toujours qu'elle n'entre pas en contact avec une partie du socle inférieur lorsque la poignée est complètement abaissée. L'outil doit toujours être débranché lors de cette opération.

Il est possible d'utiliser cet outil avec ou sans limite inférieure en déplaçant la butée de position limite inférieure, tel qu'indiqué sur l'illustration. **(Fig. 8)**

Pour utiliser l'outil sans limite inférieure, tournez l'extrémité de la butée dans le sens inverse des aiguilles d'une montre. L'utilisation dans cette position est adéquate pour couper une pièce large et mince.

Pour utiliser l'outil avec la limite inférieure, déplacez l'extrémité de la butée dans le sens des aiguilles d'une montre. L'utilisation dans cette position est adéquate pour couper une pièce épaisse.

Réglage de l'angle de coupe d'onglet (Fig. 9 et 10)

Desserrez la vis de serrage du guide de coupe en la tournant dans le sens inverse des aiguilles d'une montre. Tournez le plateau tournant à la main. Lorsque la poignée est arrivée au point où l'index indique la valeur angulaire désirée sur le secteur, serrez la vis de serrage à fond en la tournant dans le sens des aiguilles d'une montre.

ATTENTION :

- Vous devez soulever complètement la poignée lorsque vous faites tourner le plateau tournant.
- Après avoir modifié l'angle de coupe d'onglet, fixez toujours le plateau tournant en serrant fermement la vis de serrage.

Réglage de l'angle de coupe en biseau (Fig. 11 et 12)

En mode de scie à coupe d'onglet

Pour ajuster l'angle de coupe en biseau, desserrez le levier à l'arrière de l'outil en le tournant dans le sens inverse des aiguilles d'une montre.

Poussez la poignée vers la gauche pour incliner la lame jusqu'à ce que l'index indique la valeur angulaire désirée sur l'échelle de coupe en biseau. Resserrez ensuite le levier à fond en le tournant dans le sens des aiguilles d'une montre pour fixer le bras.

ATTENTION :

- Vous devez soulever complètement la poignée lorsque vous inclinez la lame.
- Après avoir modifié l'angle de coupe en biseau, fixez toujours le bras en serrant le levier dans le sens des aiguilles d'une montre.

En mode de scie circulaire à table (Fig. 13)

Pour ajuster l'angle de coupe en biseau, desserrez le levier sous la table à l'avant de l'outil en le tournant dans le sens inverse des aiguilles d'une montre.

Déplacez le bouton de réglage de la profondeur vers la gauche pour incliner la lame jusqu'à ce que l'index indique la valeur angulaire désirée sur l'échelle de coupe en biseau. Resserrez ensuite le levier à fond en le tournant dans le sens des aiguilles d'une montre pour fixer le bras.

Interrupteur (Fig. 14)

Interrupteur du mode de scie à coupe d'onglet

ATTENTION :

- Avant de brancher l'outil, vérifiez toujours que le levier d'interrupteur fonctionne bien et revient en position d'arrêt (OFF) lorsque relâché.
- Lorsque vous avez terminé d'utiliser l'outil, retirez le bouton de déverrouillage et rangez-le dans un endroit sûr. Cela évitera l'utilisation de l'outil sans autorisation.
- N'appuyez pas fortement sur le levier d'interrupteur sans avoir d'abord enfoncé le bouton de déverrouillage. Vous risqueriez de casser l'interrupteur.

Pour éviter tout déclenchement accidentel du levier d'interrupteur, l'outil est muni d'un bouton de déverrouillage. Pour faire démarrer l'outil, poussez le levier de verrouillage vers la gauche, enfoncez le bouton de déverrouillage puis appuyez sur le levier d'interrupteur. Pour l'arrêter, relâchez le levier d'interrupteur.

Interrupteur du mode de scie circulaire à table

ATTENTION :

- Avant l'utilisation, assurez-vous que la mise sous tension et hors tension de l'outil s'effectue correctement.

Pour faire démarrer l'outil appuyez sur le bouton ON (I). Pour l'arrêter, appuyez sur le bouton OFF (O).

Réglage de la profondeur de coupe (Fig. 15)

Il est possible de régler la profondeur de coupe en tournant le bouton de réglage de la profondeur de coupe. Tournez le bouton de réglage de la profondeur de coupe dans le sens des aiguilles d'une montre pour élever la lame, ou dans le sens inverse pour l'abaisser.

AVERTISSEMENT :

- Réglez sur une faible profondeur lorsque vous coupez des matériaux minces, afin d'obtenir une coupe plus nette.

ATTENTION :

- Il n'est pas possible de tourner la broche d'arrêt avec le bras articulé complètement abaissé. Tournez alors légèrement le bouton dans le sens inverse des aiguilles d'une montre et vous pourrez retirer la broche d'arrêt. **(Fig. 16)**

Protecteur de surcharge

- Outils conçus uniquement pour une alimentation de 200 V ou plus. Concernant la tension nominale, reportez-vous à la plaque signalétique sur l'outil.
- Lorsque la charge imposée à l'outil dépasse le niveau admissible, le régime du moteur est réduit pour le protéger contre la surchauffe. Lorsque la charge revient au niveau admissible, l'outil reprend son fonctionnement normal.

ASSEMBLAGE

ATTENTION :

- Avant d'effectuer toute intervention sur l'outil, assurez-vous toujours qu'il est hors tension et débranché.

Rangement de la clé hexagonale (Fig. 17)

Le rangement de la clé hexagonale s'effectue de la façon indiquée sur l'illustration. Pour utiliser la clé hexagonale, retirez-la du support à clé. Après avoir utilisé la clé hexagonale, remettez-la dans le support à clé.

Installation de la table en position basse ou élevée

Deux hauteurs sont disponibles pour l'installation de la table : élevée et basse.

AVERTISSEMENT :

- Avant de renverser l'outil vers l'arrière, mettez-le toujours en mode de scie à coupe d'onglet et verrouillez le bras articulé sur sa position la plus basse.

1. Installation de la table en position élevée (Fig. 18)

Pour installer l'outil avec la table en position élevée, procédez comme suit.

- (1) Renversez doucement l'outil VERS L'ARRIÈRE en le tenant à deux mains pour éviter de l'échapper.
- (2) Tournez le crochet dans le sens de la flèche de l'illustration, pour dégager les pieds. Ouvrez les pieds d'un côté de la table et poussez la barre inférieure des pieds complètement vers l'avant pour qu'ils se verrouillent d'eux-mêmes. Procédez de la même façon avec les pieds du côté opposé. Assurez-vous que les pieds sont bien verrouillés des deux côtés de la table.

AVERTISSEMENT :

- Assurez-vous que les crochets d'arrêt sont parfaitement en position dans la rainure du support.

- (3) Remettez l'outil à l'endroit.

2. Installation de la table en position basse (Fig. 19)

Vous pouvez plier les pieds, comme indiqué sur l'illustration. Pour plier la table, procédez comme suit.

- (1) Renversez doucement l'outil VERS L'ARRIÈRE en le tenant à deux mains pour éviter de l'échapper.
- (2) Tirez d'abord vers vous-même le crochet d'arrêt à la jonction des pieds de gauche pour les déverrouiller.
- (3) Suivez les mêmes étapes que ci-dessus pour les pieds du côté opposé.
- (4) Utilisez un crochet pour maintenir ces pieds pliés.
- (5) Remettez l'outil à l'endroit.

Pose ou dépose de la lame

ATTENTION :

- Assurez-vous toujours que l'outil est hors tension et débranché avant d'installer ou de retirer la lame.
- Utilisez exclusivement la clé hexagonale Makita fournie pour installer ou retirer la lame. Sinon, le boulon à tête cylindrique à six risque d'être trop ou pas assez serré. Cela peut entraîner une blessure.

Déplacez la poignée sur sa position la plus élevée.

Appuyez sur le blocage de l'arbre pour verrouiller l'axe et desserrez le boulon à tête cylindrique à six à l'aide de la clé hexagonale, en tournant dans le sens des aiguilles d'une montre. (Fig. 20)

Soulevez le protecteur de lame A au moyen de son levier de relevage tout en poussant le levier près de la poignée sur la gauche. Avec le protecteur de lame A soulevé, retirez le boulon à tête cylindrique à six, le flasque extérieur et la lame. (Fig. 21)

Pour installer la lame, montez-la soigneusement sur l'axe en vous assurant que le sens indiqué par la flèche sur la surface de la lame correspond à celui de la flèche du porte-lame. Installez le flasque extérieur et le boulon à tête cylindrique à six, puis, à l'aide de la clé hexagonale, serrez à fond le boulon à tête cylindrique à six (filetage à gauche), en tournant dans le sens inverse des aiguilles d'une montre tout en appuyant sur le blocage de l'arbre. (Fig. 22 et 23)

NOTE :

- Lorsque vous installez une lame, vous devez d'abord l'insérer entre le protecteur de lame B puis soulever ce dernier de sorte que la lame se trouve finalement dans la protecteur de lame B.

ATTENTION :

- La bague de 25,4 mm ou 30 mm de diamètre extérieur a été montée en usine sur l'axe. Avant de monter la lame sur l'axe, assurez-vous toujours que la bague qui est montée sur l'axe est bien celle qui convient pour l'alésage de la lame que vous prévoyez utiliser. (Fig. 24)

Remettez le protecteur de lame inférieur A en position initiale. Abaissez la poignée pour vous assurer que les protecteurs de lame inférieurs se déplacent adéquatement. Avant de passer à la coupe, vérifiez que le blocage de l'arbre n'est pas engagé sur l'axe.

Réglage du couteau diviseur

Il doit y avoir un espace libre d'environ 5 à 6 mm entre le couteau diviseur et les dents de la lame lorsque le couteau diviseur est poussé complètement vers la lame. Réglez le couteau diviseur en conséquence, en desserrant d'abord l'écrou de serrage en le tournant dans le sens inverse des aiguilles d'une montre avec la main, puis en desserrant le boulon à tête cylindrique à six en le tournant dans le sens inverse des aiguilles d'une montre avec la clé hexagonale, et en mesurant la distance nécessaire. Une fois le réglage terminé, serrez fermement le boulon à tête cylindrique à six puis l'écrou de serrage en tournant dans le sens des aiguilles d'une montre. Avant de procéder à la coupe, vérifiez toujours que le couteau diviseur est fermement installé et que le protecteur de lame supérieur se déplace bien. (Fig. 25 et 26)

Le couteau diviseur a été installé en usine de sorte que vous puissiez facilement installer la lame et le couteau diviseur en droite ligne. Pour l'installation, reportez-vous à la section intitulée «Changer la position du couteau diviseur». (Fig. 27)

ATTENTION :

- Si la lame et le couteau diviseur ne sont pas bien alignés, vous courez le danger que la lame se coince pendant la coupe. Assurez-vous que le couteau diviseur se trouve entre les deux extrémités extérieures des dents de la lame, telle que vue du dessus. Vous risquez une grave blessure si vous utilisez l'outil alors que le couteau diviseur n'est pas bien aligné. Si ces deux pièces ne s'alignent pas pour une raison quelconque, faites réparer l'outil par un centre de service après-vente Makita agréé.

- Lorsque vous ajustez l'espace libre entre le couteau diviseur et les dents de la lame, desserrez toujours le boulon à tête cylindrique à six seulement après avoir desserré l'écrou de serrage.

Installation et réglage du garde parallèle (Fig. 28)

1. Installez le garde parallèle sur la table de sorte que le porte-garde s'engage sur le rail-guide. Serrez fermement la vis de serrage (B) du garde parallèle, en tournant dans le sens des aiguilles d'une montre.
2. Desserrez la vis de serrage (A).
3. Faites glisser le garde parallèle et fixez-le de sorte que son extrémité la plus éloignée de vous soit alignée sur le point où le bord avant de la lame dépasse juste un peu de la surface supérieure de la pièce. Ce réglage a pour but de réduire les risques de choc en retour vers l'utilisateur en empêchant que la partie coupée de la pièce ne vienne se coincer entre la lame et le garde parallèle, provoquant la poussée de la lame vers l'utilisateur. La ligne (A) varie suivant l'épaisseur de la pièce ou le niveau de la table. Réglez la position du garde parallèle en fonction de l'épaisseur de la pièce.

Une fois le garde parallèle réglé, serrez fermement la vis de serrage (A). (Fig. 29)

NOTE :

- Il existe quatre façons de placer le garde parallèle, tel qu'indiqué sur l'illustration. Chaque face du garde parallèle est dotée d'une fente, avec une frange relevée tout près de la fente sur une de ces deux faces. Utilisez la surface du garde parallèle avec cette frange placée face à la pièce uniquement lorsque vous coupez dans un bout de pièce mince.
- Pour changer la position du garde parallèle, retirez-le du porte-garde en desserrant la vis de serrage (A), puis changez l'orientation du garde parallèle sur le porte-garde de sorte que ce premier se trouve en face du dernier en fonction du travail à effectuer, tel qu'indiqué sur l'illustration.

Insérez l'écrou carré sur le porte-garde à l'extrémité arrière d'une des fentes du garde parallèle, de sorte que le garde et la fente s'ajustent comme indiqué sur l'illustration.

Pour passer de la position A à B, ou de la position C à D, ou l'inverse, retirez l'écrou carré et la vis de serrage (A) du porte-garde, puis placez la vis de serrage (A) et l'écrou carré sur la position opposée à celle où ils se trouvaient initialement sur le porte-garde. Serrez la vis de serrage (A) fermement après avoir inséré l'écrou carré du porte-garde dans la fente du garde parallèle.

Insérez l'écrou carré sur le porte-garde à l'extrémité arrière d'une des fentes du garde parallèle, de sorte que le garde et la fente s'ajustent comme indiqué sur les illustrations. (Fig. 30 et 31)

Le garde parallèle est réglé en usine de sorte qu'il soit parallèle à la surface de la lame. Assurez-vous qu'il est bien parallèle. Pour vous assurer que le garde parallèle est bien parallèle à la lame, ajustez la hauteur de cette dernière au moyen du bouton de réglage de la profondeur de coupe de sorte que la lame apparaisse sur la position la plus élevée de la table. Marquez une des dents de la lame avec un crayon. Mesurez la distance (A) et la distance (B) entre le garde parallèle et la lame. Effectuez ces deux mesures avec la dent marquée au crayon. Ces deux mesures doivent être identiques. Si le garde parallèle n'est pas parallèle à la lame, procédez comme suit : (Fig. 32 et 33)

- (1) Tournez la vis de réglage dans le sens inverse des aiguilles d'une montre.
- (2) Déplacez la face avant du garde parallèle légèrement vers la droite ou la gauche jusqu'à ce qu'il soit parallèle à la lame.
- (3) Serrez fermement la vis de réglage sur le garde parallèle.

ATTENTION :

- Vous devez régler le garde parallèle de sorte qu'il soit parallèle à la lame, autrement il y a risque de dangereux choc en retour.
- Vous devez régler le garde parallèle de sorte qu'il n'entre pas en contact avec le protecteur de lame supérieur ni avec la lame. (Fig. 34)
- Ne saisissez pas l'outil par le garde parallèle pour le déplacer ou le transporter.
- Vous risqueriez d'endommager le garde parallèle et d'affecter son fonctionnement en le saisissant par son extrémité supérieure pour le soulever ou en lui appliquant une force vers la gauche ou la droite.

Installation et réglage du guide d'onglet (Fig. 35)

Installez le guide d'onglet en insérant son arbre par l'avant dans une des deux rainures de la table. Le garde de guide d'onglet, qui sert également de garde parallèle, peut s'installer sur le guide d'onglet suivant le type de travail à effectuer.

Sac à poussières

L'utilisation du sac à poussières permet d'effectuer des coupes en toute propreté et facilite la collecte des poussières. Pour fixer le sac à poussières, insérez-le dans le raccord à poussières. (Fig. 36)

Lorsque le sac à poussières est environ à moitié plein, retirez-le de l'outil et tirez sur la fermeture pour la retirer. Videz le sac à poussières en le tapant légèrement pour retirer les particules qui adhèrent à sa surface intérieure et risqueraient de faire obstacle à la collecte des poussières par la suite. (Fig. 37)

Vous pourrez effectuer un travail plus efficace et plus propre si vous raccordez un aspirateur à votre scie. (Fig. 38)

Coude (Fig. 39)

ATTENTION :

- Orientez la sortie du coude de sorte que les poussières et copeaux éjectés ne soient pas dirigés vers l'outil ni vers les personnes présentes dans la zone de travail.

Installez le coude lorsque vous désirez que les poussières soient éjectées dans une autre direction.

Immobilisation de la pièce

AVERTISSEMENT :

- Il est très important de toujours immobiliser la pièce de manière adéquate et ferme avec l'étau. Faute de cette précaution, vous risquez d'endommager votre scie et/ou la pièce. **VOUS RISQUEZ AUSSI DE VOUS BLESSE**R. Après avoir terminé votre coupe, **NE RELEVEZ PAS LA LAME** tant qu'elle n'est pas arrivée à un arrêt complet.

Garde secondaire (Fig. 40)

La garde secondaire peut être installée sur le guide de coupe. Pour les coupes en biseau à gauche ou en mode de scie circulaire à table (scie d'établi), retirez la garde secondaire.

ATTENTION :

- Pour les coupes en biseau à gauche ou en mode scie de table (scie d'établi), retirez la garde secondaire. Sinon, elle entrera en contact avec la lame ou une autre partie de l'outil, et risque d'entraîner des blessures graves pour l'opérateur.

Étau vertical (Fig. 41)

Vous pouvez installer l'étau vertical sur l'une ou l'autre de deux positions, du côté gauche ou droit du guide de coupe. Insérez la tige de l'étau dans l'orifice du guide de coupe et serrez la vis de serrage pour fixer la tige de l'étau.

Placez le bras de l'étau en fonction de l'épaisseur et de la forme de la pièce à travailler, et fixez le bras de l'étau en serrant la vis de serrage. Si la vis de fixation du bras de l'étau entre en contact avec le guide de coupe, installez-la de l'autre côté du bras de l'étau. Vérifiez qu'aucune partie de l'outil ne touche l'étau lorsque vous abaissez la poignée complètement. Si une quelconque partie de l'outil entre en contact avec l'étau, modifiez son emplacement.

Appuyez la pièce à plat contre le guide de coupe et le plateau tournant. Placez la pièce sur la position de coupe désirée et serrez à fond la poignée de l'étau.

ATTENTION :

- La pièce doit être fermement fixée au plateau tournant et au guide de coupe.

Installation de l'outil en mode de scie circulaire à table

ATTENTION :

- Avant l'utilisation en mode de scie circulaire à table, assurez-vous que le plateau tournant a été immobilisé sur l'angle de coupe d'onglet 0° avec la vis de serrage qui se trouve sur le guide de coupe.
- Avant l'utilisation en mode de scie circulaire à table, assurez-vous que le bras articulé a été immobilisé avec le levier.
- Avant l'utilisation en mode de scie circulaire à table, assurez-vous que le couteau diviseur a été immobilisé en position correcte.
- Avant l'utilisation en mode de scie circulaire à table, retirez le protecteur de lame inférieur C.
- En mode de scie circulaire à table, désengagez la butée de position limite inférieure.

L'outil est installé en mode de scie à coupe d'onglet à sa sortie d'usine. Avant l'utilisation en mode de scie circulaire à table, modifiez l'installation et suivez la procédure ci-dessous.

1. Immobilisation du plateau tournant (Fig. 42)

Pour immobiliser le plateau tournant, serrez la vis de serrage fermement sur le guide de coupe sur l'angle de coupe d'onglet 0°.

2. Immobilisation du bras articulé (Fig. 43)

Immobilisez le bras articulé en serrant le levier dans le sens de la flèche indiquée sur l'illustration.

3. Désengagement de la butée de position limite inférieure (Fig. 44)

Assurez-vous que l'extrémité de la butée de position limite inférieure se trouve sur la position A indiquée sur l'illustration. Tournez l'extrémité de la butée de position limite inférieure dans le sens inverse des aiguilles d'une montre jusqu'à la position A si elle se trouve sur la position B.

4. Changement de la position du couteau diviseur (Fig. 45)

La position (Fig. 45-A) doit être changée comme suit.

- (1) Desserrez l'écrou de serrage. (Fig. 45-B)
- (2) Tirez sur le couteau diviseur et faites-le pivoter dans le sens de la flèche pour le placer sur l'angle de 90°. (Fig. 45-C) Enfoncez-le ensuite légèrement pour qu'il s'arrête sur cette position.
- (3) Au moyen de l'ergot du protecteur de lame inférieur A, soulevez complètement ce dernier manuellement tout en poussant le levier vers la gauche, et relâchez le levier près de la poignée. (Fig. 45-D)
- (4) Poussez le couteau diviseur dans le sens de la flèche (voir Fig. 45-E) pour l'aligner sur la lame.
- (5) Après avoir poussé le couteau diviseur dans le sens de la flèche indiquée sur l'illustration, désengagez le protecteur de lame inférieur A.
- (6) Après avoir aligné le couteau diviseur, serrez fermement l'écrou de serrage (voir Fig. 45-F).

5. Retrait du protecteur de lame inférieur C (Fig. 46)

Retirez le protecteur de lame inférieur C de la table en desserrant la vis de serrage.

6. Verrouillage du bras articulé en position complètement abaissée (Fig. 47 et 48)

Après avoir installé le couteau diviseur en position adéquate pour le mode de scie circulaire à table, tirez la butée dans le sens de la flèche A et tournez-la jusqu'à un angle de 90° dans le sens de la flèche B tout en maintenant la butée tirée. Abaissez ensuite la poignée pour verrouiller le bras articulé.

ATTENTION :

- Si le bras articulé ne se verrouille pas en position complètement abaissée, tournez le bouton de réglage de la profondeur de plusieurs tours dans le sens des aiguilles d'une montre.
- Avant de retourner l'outil, assurez-vous toujours que le bras articulé est solidement verrouillé en position inférieure par la broche d'arrêt.

7. Retournement de l'outil (Fig. 49)

AVERTISSEMENT :

- Assurez-vous que l'outil est hors tension et débranché avant de le retourner.
- Lorsque vous abaissez le levier, vous devez poser la main ou les doigts loin du point de rencontre du levier et de la table.
Tenez le bord de la table par le milieu avec une main, abaissez le levier avec l'autre main tout en maintenant fermement en place le bord de la table, et pivotez la table doucement pour la retourner. Ne relâchez la table qu'une fois cette dernière verrouillée.

8. Installation du protecteur de lame supérieur (Fig. 50)

Enfoncez le bouton-poussoir du protecteur de lame supérieur et maintenez-le enfoncé pour le placer sur l'entaille du couteau diviseur, puis relâchez-le.

Après avoir relâché le bouton-poussoir, tirez sur le protecteur de lame supérieur pour vous assurer qu'il demeure en place.

ATTENTION :

- Après avoir installé le protecteur de lame supérieur, assurez-vous qu'il fonctionne bien.

Installation de l'outil en mode de scie à coupe d'onglet (Fig. 51)

AVERTISSEMENT :

- Vous devez installer le protecteur de lame inférieur C avant d'utiliser l'outil en mode de scie à coupe d'onglet.

Pour passer du mode de scie circulaire à table au mode de scie à coupe d'onglet, effectuez la procédure inverse de celle indiquée dans la section «Installation de l'outil en mode de scie circulaire à table».

1. Retrait du protecteur de lame supérieur

Enfoncez le bouton-poussoir du protecteur de lame supérieur et retirez simplement le protecteur de lame supérieur en maintenant le bouton enfoncé.

2. Installation du protecteur de lame inférieur C

Placez le protecteur de lame inférieur C sur la table de sorte qu'il pénètre dans la fente de la table et serrez fermement la vis de serrage.

3. Retournement de l'outil

Reportez-vous à la section du même nom sous «Installer l'outil en mode de scie circulaire à table».

4. Désengagement du bras articulé de la position complètement abaissée

Tout en tenant la poignée, tirez la broche d'arrêt dans le sens de la flèche A et tournez-la jusqu'à un angle de 90° dans le sens de la flèche B tout en maintenant la broche d'arrêt tirée, puis soulevez la poignée lentement.

5. Changement de la position du couteau diviseur (Fig. 52)

Il faut procéder comme suit pour changer la position du couteau diviseur (Fig. 52-A).

- (1) Desserrez l'écrou de serrage et tenez le protecteur de lame inférieur A en le saisissant par son ergot avec la main. (Fig. 52-B)
- (2) Tout en tenant le protecteur de lame inférieur A, tirez sur le couteau diviseur dans le sens de la flèche pour le faire tourner et pivoter sur la position. (Fig. 52-C)
- (3) Avec le couteau diviseur maintenu dans cette position, retournez le protecteur de lame inférieur A sur sa position initiale et serrez fermement l'écrou de serrage. (Fig. 52-D et E)

UTILISATION

ATTENTION :

- Avant l'utilisation, assurez-vous d'avoir dégagé la poignée de la position abaissée en tirant sur la broche d'arrêt et en la tournant jusqu'à l'angle de 90°.
- Assurez-vous que la lame n'entre pas en contact avec la pièce ou tout autre objet avant de mettre le contact.

COUPE EN MODE DE SCIE À COUPE D'ONGLET

AVERTISSEMENT :

- Assurez-vous que le protecteur de lame inférieur C est installé avant d'utiliser l'outil en mode de scie à coupe d'onglet.

ATTENTION :

- Pendant la coupe, n'appliquez pas une pression excessive sur la poignée. Vous risqueriez de provoquer une surcharge du moteur et/ou une diminution de la capacité de coupe. Abaissez la poignée en appliquant uniquement la force nécessaire pour effectuer la coupe en douceur sans diminuer de façon significative la vitesse de la lame.
- Abaissez doucement la poignée pour effectuer la coupe. Si vous appuyez trop fort ou appuyez latéralement, la lame vibrera et elle laissera une marque (marque de sciage) sur la pièce ; la précision de coupe sera également affectée.

1. Coupe sous presse (Fig. 53)

Immobilisez la pièce contre le guide de coupe et le plateau tournant. Mettez l'outil en marche alors que la lame ne touche à rien et attendez qu'elle ait atteint sa pleine vitesse avant de l'abaisser. Abaissez ensuite doucement la poignée en position complètement abaissée pour couper la pièce. Lorsque la coupe est terminée, coupez le contact de l'outil et ATTENDEZ QUE LA LAME SE SOIT COMPLÈTEMENT ARRÊTÉE avant de ramener la lame en position complètement relevée.

2. Coupe d'onglet

Référez-vous à la section précédente intitulée «Réglage de l'angle de coupe d'onglet».

3. Coupe en biseau (Fig. 54)

Desserrez le levier et inclinez la lame pour régler l'angle de coupe en biseau (reportez-vous à la section précédente intitulée «Réglage de l'angle de coupe en biseau»). N'oubliez pas de resserrer le levier fermement de façon à bien assurer l'angle de biseau sélectionné. Immobilisez la pièce contre le guide de coupe et le plateau tournant. Mettez l'outil en marche alors que la lame ne touche à rien et attendez qu'elle ait atteint sa pleine vitesse. Puis, abaissez doucement la poignée en position complètement abaissée tout en appliquant une pression parallèle à la lame. Lorsque la coupe est terminée, coupez le contact de l'outil et ATTENDEZ QUE LA LAME SE SOIT COMPLÈTEMENT ARRÊTÉE avant de ramener la lame en position complètement relevée.

ATTENTION :

- Assurez-vous toujours que la lame s'abaisse dans le sens du biseau lors d'une coupe en biseau. Gardez les mains à l'écart de la ligne de coupe de la lame.
- Lors d'une coupe en biseau, il peut arriver que la pièce coupée vienne s'appuyer contre le côté de la lame. Si vous soulevez la lame alors qu'elle tourne encore, elle risque de happer la pièce et d'en projeter dangereusement des fragments. La lame doit être relevée UNIQUEMENT après être arrivée à un arrêt complet.
- Lorsque vous abaissez la poignée, appliquez une pression parallèle à la lame. Si la pression n'est pas parallèle à la lame pendant la coupe, cela risque de modifier l'angle de la lame et d'affecter la précision de la coupe.
- Pour les coupes en biseau à gauche, retirez toujours la garde secondaire.

4. Coupe mixte

La coupe mixte consiste à appliquer un angle de biseau tout en effectuant une coupe d'onglet sur une pièce. La coupe mixte est possible avec les angles indiqués dans le tableau.

Angle de biseau	Angle de coupe d'onglet
45°	Gauche et droite 0 – 45°

006366

Pour effectuer une coupe mixte, référez-vous aux explications des sections «Coupe sous presse», «Coupe d'onglet» et «Coupe en biseau».

5. Coupe des profilés d'aluminium (Fig. 55)

Lorsque vous immobilisez des profilés d'aluminium, utilisez des cales d'espacement ou des bouts de ferraille, tel qu'indiqué sur l'illustration, pour prévenir la déformation de l'aluminium. Utilisez aussi un lubrifiant de coupe lorsque vous sciez des profilés d'aluminium afin d'empêcher l'accumulation de particules d'aluminium sur la lame.

ATTENTION :

- N'essayez jamais de couper des profilés d'aluminium épais ou ronds. Les profilés d'aluminium épais risquent de se décaler durant l'opération, et les profilés d'aluminium ronds ne peuvent pas être immobilisés de façon satisfaisante avec ce type d'étai.
- Ne coupez jamais de l'aluminium en mode de scie circulaire à table (mode de scie d'établi).

COUPE EN MODE DE SCIE CIRCULAIRE À TABLE (MODE DE SCIE D'ÉTABLI)

ATTENTION :

- Utilisez toujours des «dispositif d'aide» tels que bâtons-poussoirs et blocs-poussoirs lorsque vos mains ou doigts courent un risque de se trouver près de la lame pendant le sciage.
- Tenez toujours la pièce fermement avec la table et le garde parallèle. Évitez de la plier ou de la tordre pendant la progression de l'outil. Si la pièce se plie ou se tort, il y a risque de choc en retour dangereux.
- NE retirez JAMAIS la pièce pendant que la lame tourne. Si vous devez retirer la pièce avant d'avoir terminé la coupe, coupez d'abord le contact de l'outil sans cesser de tenir la pièce fermement. Attendez que la lame se soit complètement arrêtée avant de retirer la pièce. Autrement il y a risque de choc en retour dangereux.
- NE retirez JAMAIS le matériau coupé pendant que la lame tourne.
- NE placez JAMAIS les doigts ou la main dans la ligne de coupe de la lame.
- Immobilisez toujours le garde parallèle fermement, autrement il y a risque de choc en retour dangereux.
- Utilisez toujours des «dispositifs d'aide» tels que bâtons-poussoirs et blocs-poussoirs lorsque vous coupez des pièces petites ou étroites, ou lorsque la tête est cachée à votre vue pendant la coupe.
- Pour les coupes en mode de scie circulaire à table (scie d'établi), retirez la garde secondaire.

Dispositifs d'aide

Les bâtons-poussoirs, les blocs-poussoirs et le garde auxiliaire sont autant de types de «dispositif d'aide». Utilisez-les pour effectuer vos coupes de manière sûre et en toute sécurité, sans avoir à toucher la lame avec une partie quelconque du corps.

Bloc-poussoir (Fig. 56)

Utilisez une pièce de contreplaqué de 19 mm.

La poignée doit se trouver au centre de la pièce de contreplaqué. Collez-la avec de la colle et des vis à bois, tel qu'illustré. Il faut toujours coller de petites pièces de bois de 9,5 mm x 8 mm x 50 mm à la pièce pour éviter que la lame ne s'émousse si l'utilisateur coupe par erreur dans le bloc-poussoir. (N'enfoncez jamais de clous dans le bloc-poussoir.)

Garde auxiliaire (Fig. 57)

Utilisez des pièces de contreplaqué de 9,5 mm et 19 mm pour fabriquer votre garde auxiliaire.

Sciage en long

ATTENTION :

- Lors du sciage en long, retirez le guide d'onglet de la table.
- Lorsque vous coupez des pièces longues ou larges, installez toujours des supports sous la table. NE laissez PAS un long panneau se déplacer ou bouger sur la table. La lame se coïncera et les risques de choc en retour et de blessure seront plus élevés. Le support doit être de la même hauteur que la table.

1. Réglez la profondeur de coupe un peu plus haut que l'épaisseur de la pièce. Pour effectuer ce réglage, reportez-vous à la section «Réglage de la profondeur de coupe».
2. Placez le garde parallèle sur la largeur de coupe désirée et immobilisez-le en serrant la vis de serrage (A). Avant de procéder à la coupe en long, assurez-vous que les deux vis du porte-garde sont fermement serrées. Si le porte-garde n'est pas assez serré, serrez-le davantage.
3. Mettez le contact et faites avancer doucement la pièce vers la lame en même temps que le garde parallèle.
 - (1) Si la largeur de coupe est supérieure à 150 mm, utilisez une de vos mains pour faire avancer la pièce, avec prudence. Utilisez l'autre main pour maintenir la pièce appuyée contre le garde parallèle. (Fig. 58)
 - (2) Si la largeur de coupe est de 65 mm à 150 mm, utilisez le bâton-poussoir pour faire avancer la pièce. (Fig. 59)
 - (3) Si la largeur de coupe est inférieure à 65 mm, il n'est pas possible d'utiliser le bâton-poussoir puisqu'il frappera contre le protecteur de lame. Utilisez le garde auxiliaire et le bloc-poussoir. Fixez le garde auxiliaire au garde parallèle avec deux dispositifs de serrage «C». (Fig. 60)

Faites avancer la pièce à la main jusqu'à ce que le bout se trouve à environ 25 mm du bord avant de la table supérieure. Continuez de la faire avancer avec le bloc-poussoir sur la partie supérieure du garde auxiliaire jusqu'à ce que la coupe soit achevée. (Fig. 61)

Coupe en biais

ATTENTION :

- Lorsque vous désirez effectuer une coupe en biais, retirez le garde parallèle de la table.
- Lorsque vous coupez des pièces longues ou larges, installez toujours des supports adéquats des deux côtés de la table. Le support doit être de la même hauteur que la table.

- Gardez toujours les mains à l'écart de la ligne de coupe de la lame.

Guide d'onglet (Fig. 62)

Utilisez le guide d'onglet pour les 4 types de coupe indiqués sur l'illustration.

ATTENTION :

- Serrez doucement le bouton du guide d'onglet.
- Installez solidement la pièce et le guide pour éviter qu'ils ne se déplacent, tout particulièrement lors d'une coupe en angle.
- NE tenez JAMAIS ni saisissez la pièce par la partie qui se détachera lors de la coupe.

Utilisation du guide d'onglet (Fig. 63)

Glissez le guide d'onglet dans les rainures épaisses pratiquées dans la table. Desserrez le bouton du guide et alignez le guide sur l'angle désiré (0° à 60°). Alignez parfaitement le matériau contre le guide et faites-le avancer doucement vers la lame.

Parément de bois auxiliaire (guide d'onglet) (Fig. 64)

Pour empêcher un long panneau de sautiller, installez le guide d'onglet avec un panneau comme garde auxiliaire. Percez des trous pour le serrer avec des boulons/écrous, en prenant soin qu'il ne dépassent pas de la surface du panneau.

Transport de l'outil (Fig. 65)

Vérifiez que l'outil est débranché. Si l'outil a été simplement utilisé en mode de scie à coupe d'onglet, fixez la lame sur un angle de coupe en biseau de 0° et le plateau tournant sur l'angle de coupe d'onglet 0°. Abaissez complètement la poignée et verrouillez-la en position inférieure en enfonçant complètement la broche d'arrêt.

Pour transporter l'outil, saisissez-le par la partie indiquée sur l'illustration. (Fig. 66)

ATTENTION :

- Avant de transporter l'outil, immobilisez d'abord toutes ses pièces mobiles.
- Avant de transporter l'outil, installez-le toujours en mode de scie à coupe d'onglet.
- Assurez-vous que le protecteur de lame inférieur C est installé sur l'outil.

ENTRETIEN

ATTENTION :

- Assurez-vous toujours que l'outil est hors tension et débranché avant d'y effectuer tout travail d'inspection ou d'entretien.
- N'utilisez jamais d'essence, benzine, diluant, alcool ou autre produit similaire. Cela risquerait de provoquer la décoloration, la déformation ou la fissuration de l'outil.

AVERTISSEMENT :

- Assurez-vous toujours que la lame est bien affûtée et propre pour assurer un rendement optimal et une sécurité maximale.

Réglage de l'angle de coupe

L'outil a été soigneusement réglé et aligné en usine, mais une manipulation maladroite a pu dérégler l'alignement. Si l'outil n'est pas aligné correctement, effectuez les opérations suivantes :

1. Angle de coupe d'onglet

Des boulons de réglage de l'angle de coupe d'onglet 0° se trouvent en quatre positions.

Desserrez les quatre boulons de réglage de l'angle de coupe d'onglet 0° en tournant dans le sens inverse des aiguilles d'une montre par le dessous de la table. (Fig. 67)

Abaissez complètement la poignée et verrouillez-la en position inférieure en tirant et tournant la broche d'arrêt dans le sens des aiguilles d'une montre jusqu'à un angle de 90°. Placez le côté de la lame à angle droit par rapport à la face du guide de coupe, au moyen d'une règle triangulaire, d'une équerre de menuisier, etc. Serrez ensuite fermement les quatre boulons de réglage du bras auxiliaire par le dessous de la table. Assurez-vous que l'index indique 0° sur le secteur. Dans le cas contraire, ajustez la position de l'index en desserrant la vis qui retient ce dernier. Après le réglage, serrez fermement la vis. (Fig. 68)

2. Angle de biseau

(1) Angle de coupe en biseau 0°

Abaissez complètement la poignée et verrouillez-la en position inférieure en tirant et tournant la broche d'arrêt dans le sens des aiguilles d'une montre jusqu'à un angle de 90°. Desserrez le levier à l'arrière de l'outil.

Par le dessous de la table, tournez de deux ou trois tours en sens inverse des aiguilles d'une montre le boulon de réglage de l'angle de coupe en biseau 0° du côté droit du bras auxiliaire pour incliner la lame vers la droite. (Fig. 69)

Placez soigneusement le côté de la lame à angle droit par rapport à la surface supérieure du plateau tournant au moyen d'une règle triangulaire, d'une équerre de menuisier, etc., en tournant dans le sens des aiguilles d'une montre le boulon de réglage de l'angle de coupe en biseau 0°. (Fig. 70)

Vérifiez que l'index du plateau tournant indique 0° sur l'échelle de coupe en biseau du bras. S'il n'indique pas 0°, desserrez la vis qui retient l'index et ajustez ce dernier de telle sorte qu'il indique 0°.

(2) Angle de coupe en biseau 45°

Réglez l'angle de biseau de 45° uniquement après avoir réglé l'angle de biseau de 0°. Pour régler l'angle de biseau de 45°, desserrez le levier et inclinez complètement la lame sur la gauche. Assurez-vous que l'index du bras indique 45° sur l'échelle de coupe en biseau du bras. Si l'index n'indique pas 45°, tournez, par le dessous de la table, le boulon de réglage d'angle de biseau de 45° sur le côté gauche du bras auxiliaire jusqu'à ce que l'index indique 45°. (Fig. 71)

Remplacement des charbons (Fig. 72 et 73)

Retirez et vérifiez les charbons régulièrement. Remplacez-les lorsqu'ils atteignent le repère d'usure. Gardez les charbons propres et libres de glisser dans les porte-charbons. Les deux charbons doivent être remplacés simultanément. Utilisez uniquement des charbons identiques. Retirez les bouchons de porte-charbon à l'aide d'un tournevis. Enlevez les charbons usés, insérez les neufs et remettez en place les bouchons.

Après l'utilisation

- Après l'utilisation, essayez les copeaux et poussières qui adhèrent à l'outil au moyen d'un chiffon ou d'un objet similaire, pour assurer une durée de service maximale. Maintenez les protecteurs de lame propres en suivant les instructions de la section précédente intitulée «Protecteur de lame». Lubrifiez les parties coulissantes avec de l'huile à machine pour prévenir la formation de rouille.

Pour assurer la SÉCURITÉ et la FIABILITÉ du produit, toute réparation et tout travail d'entretien ou de réglage doivent être effectués par un Centre de service après-vente agréé Makita, avec des pièces de rechange Makita.

ACCESSOIRES EN OPTION

ATTENTION :

- Ces accessoires ou pièces complémentaires sont recommandés pour l'utilisation avec l'outil Makita spécifié dans ce mode d'emploi. L'utilisation de tout autre accessoire ou pièce peut comporter un risque de blessure. N'utilisez les accessoires ou pièces qu'aux fins mentionnées dans le présent mode d'emploi.

Si vous désirez obtenir plus de détails concernant ces accessoires, veuillez contacter le centre de service après-vente Makita le plus près.

- Lames à dents d'acier et de carbure de tungstène
- Étau vertical
- Clé hexagonale 6
- Sac à poussières
- Règle triangulaire
- Capuchon anti-poussière (protecteur de lame inférieur C)
- Bâton-poussoir
- Ensemble de règle (garde parallèle)
- Guide d'onglet
- Plaque de fixation (3 pièces)
- Boulon hexagonal (3 pièces)
- Coude
- Ensemble de couvercle supérieur (protecteur de lame supérieur)

NOTE :

- Il se peut que certains éléments de la liste soient compris dans l'emballage de l'outil en tant qu'accessoires standard. Ils peuvent varier d'un pays à l'autre.

ENG905-1

Bruit

Niveau de bruit pondéré A typique, déterminé selon EN61029 :

- Niveau de pression sonore (L_{pA}) : 91 dB (A)
- Niveau de puissance sonore (L_{WA}) : 108 dB (A)
- Incertitude (K) : 3 dB (A)

Porter des protecteurs anti-bruit

ENG900-1

Vibrations

Valeur totale de vibrations (somme de vecteur triaxial) déterminée selon EN61029 :

- Émission de vibrations (a_h) : 2,5 m/s² ou moins
- Incertitude (K) : 1,5 m/s²

- La valeur d'émission de vibrations déclarée a été mesurée conformément à la méthode de test standard et peut être utilisée pour comparer les outils entre eux.
- La valeur d'émission de vibrations déclarée peut aussi être utilisée pour l'évaluation préliminaire de l'exposition.

AVERTISSEMENT :

- L'émission de vibrations lors de l'usage réel de l'outil électrique peut être différente de la valeur d'émission déclarée, suivant la façon dont l'outil est utilisé.
- Les mesures de sécurité à prendre pour protéger l'utilisateur doivent être basées sur une estimation de l'exposition dans des conditions réelles d'utilisation (en tenant compte de toutes les composantes du cycle d'utilisation, comme par exemple le moment de sa mise hors tension, lorsqu'il tourne à vide et le moment de son déclenchement).

ENH003-15

Pour les pays d'Europe uniquement

Déclaration de conformité CE

Makita déclare que la (les) machine(s) suivante(s) :

Désignation de la machine :

Scies retourables

N° de modèle/ Type : LF1000

sont conformes aux Directives européennes suivantes :

2006/42/CE

et sont fabriquées conformément aux normes ou aux documents normalisés suivants :

EN61029

La documentation technique conforme à la norme 2006/42/CE est disponible auprès de :

Makita, Jan-Baptist Vinkstraat 2, 3070, Belgique

30.10.2014



Yasushi Fukaya
Directeur

Makita, Jan-Baptist Vinkstraat 2, 3070, Belgique

Übersicht

1	Einstellmutter	32	Füße	67	Schraubstockknopf
2	Fuß	33	Haken	68	Schraubstockarm
3	Sicherungslasche	34	Anschlaghaken	69	In Tiefstposition verriegelter Sägekopf
4	Sechskantschraube	35	Innensechskantschraube	70	Hand-/Fingerauflage des Hebels
5	U-Nuten	36	Spindelarretierung	71	Hakenteile
6	Untere Schutzhaube A	37	Hubhebel	72	Schraubstock (Zubehör)
7	Untere Schutzhaube B	38	Sägeblatt	73	Distanzblock
8	Untere Schutzhaube C (wird nur im Gehrungssägenmodus verwendet)	39	Sägeblattgehäuse	74	Gehrungsanschlag
9	Druckknopf	40	Pfeil	75	Aluminium-Strangpressprofil
10	Spaltkeil	41	Außenflansch	76	Seitenfläche/Kante parallel
11	Obere Schutzhaube (wird im Tisssägenmodus verwendet)	42	Innenflansch	77	Holzschraube
12	Drehteller-Oberfläche	43	Spindel	78	Zusammenführen
13	Sägeblattumfang	44	Ring	79	Schiebestock
14	Gehrungsanschlag	45	Knebelmutter	80	Hilfsanschlag
15	Untergrenzenanschlag	46	Sägeblattbreite	81	Schiebeklotz
16	Mutter	47	Parallelanschlaghalter	82	Querschnitt
17	Einstellschraube	48	Führungsschiene	83	Gehrungsschnitt
18	Klemmschraube	49	Klemmschraube (A)	84	Neigungsschnitt
19	Griff	50	Klemmschraube (B)	85	Compound-Gehrungsschnitt (Winkel)
20	Drehteller	51	Parallelanschlag	86	Knopf
21	Hebel	52	Ausrichtungslinie: Linie (A)	87	Beim Tragen zu haltender Werkzeugteil
22	Schnittiefen-Einstellknopf	53	Oberer Tisch	88	Einstelldreieck
23	Schalter im Gehrungssägenmodus	54	Werkstück	89	0°-Einstellschraube
24	Schalter im Tisssägenmodus	55	Vierkantmutter	90	45°-Einstellschraube
25	Einschaltsperrknopf	56	Skala	91	Drehteller-Oberfläche
26	Ein-Aus-Schalter	57	Einstellschraube	92	Arm
27	Einschaltknopf	58	Obere Schutzhaube	93	Neigungswinkelskala
28	Ausschaltknopf	59	Gehrungsanschlagplatte	94	Zeiger
29	Anschlagstift	60	Gehrungsanschlag	95	Verschleißgrenze
30	Inbusschlüssel	61	Führungsnuten	96	Bürstenhalterkappe
31	Steckschlüsselhalter	62	Absaugstützen	97	Schraubendreher
		63	Staubsaugbeutel		
		64	Verschluss		
		65	Kniestück		
		66	Schraubstockstange		

TECHNISCHE DATEN

Modell	LF1000
Sägeblattdurchmesser.....	260 mm
Sägeblattdicke	1,8 mm – 2,0 mm
Spaltkeildicke	2,2 mm
Bohrungsdurchmesser	
Für europäische Länder	30 mm
Max. Schnittiefen (H x B) mit Sägeblatt von 260 mm Durchmesser im Gehrungssägenmodus	

Neigungswinkel	Gehrungswinkel
	0°
0°	20 mm x 180 mm 68 mm x 155 mm
45° (links)	50 mm x 150 mm

Max. Schnittiefen bei 90° im Tisssägen-(Banksägen)-modus	70 mm
Leerlaufdrehzahl (min ⁻¹)	2 700
Tischgröße (B x L).....	500 mm x 555 mm
Abmessungen (L x B x H1 (hinweis 1) / H2 (hinweis 2)) im Gehrungssägenmodus	660 mm x 650 mm x 1 220 mm / 800 mm
im Tisssägenmodus.....	660 mm x 650 mm x 1 060 mm / 845 mm
Nettogewicht.....	36 kg
Sicherheitsklasse.....	□/II

(Hinweis 1) H1: Höhe bis zum Werkzeugkopf

(Hinweis 2) H2: Höhe bis zum Tisch

- Wir behalten uns vor, Änderungen im Zuge der Entwicklung und des technischen Fortschritts ohne vorherige Ankündigung vorzunehmen.
- Die technischen Daten können von Land zu Land abweichen.
- Gewicht nach EPTA-Verfahren 01/2003

ENE061-1

Vorgesehene Verwendung

Die Maschine ist für genaue Gerad- und Gehrungschnitte in Holz vorgesehen. Die Maschine kann durch Drehen des Tisches um seine Achse sowohl im Gehrungs- als auch im Tischsägenmodus verwendet werden.

ENF002-2

Stromversorgung

Die Maschine darf nur an die auf dem Typenschild angegebene Spannung angeschlossen werden und arbeitet nur mit Einphasen-Wechselspannung. Sie ist doppelt schutzisoliert und kann daher auch an Steckdosen ohne Erdanschluss betrieben werden.

GEA010-1

Allgemeine Sicherheitswarnungen für Elektrowerkzeuge

⚠️ WARNUNG Lesen Sie alle Sicherheitswarnungen und Anweisungen durch. Eine Missachtung der unten aufgeführten Warnungen und Anweisungen kann zu einem elektrischen Schlag, Brand und/oder schweren Verletzungen führen.

Bewahren Sie alle Warnungen und Anweisungen für spätere Bezugnahme auf.

ENB094-6

SICHERHEITSWARNUNGEN FÜR TISCH-, KAPP- UND GEHRUNGSÄGE

FÜR GEHRUNGS- UND TISCHSÄGENMODUS (BANKSÄGENMODUS):

1. Überprüfen Sie das Sägeblatt vor dem Betrieb sorgfältig auf Risse oder Verformung. Ersetzen Sie ein beschädigtes Sägeblatt unverzüglich.
2. Betreiben Sie die Säge nicht ohne Schutzvorrichtungen und Spaltkeil, besonders nach einem Betriebsartwechsel. Überprüfen Sie die Schutzhauben vor jeder Benutzung auf einwandfreies Schließen. Betreiben Sie die Säge nicht, wenn sich die Schutzhauben nicht ungehindert bewegen und unverzüglich schließen. Die Schutzhauben dürfen auf keinen Fall in der geöffneten Stellung festgeklemmt oder festgebunden werden. Funktionsstörungen der Schutzhauben müssen sofort behoben werden.
3. Verwenden Sie nur vom Hersteller vorgeschriebene Sägeblätter, die der EU-Norm EN847-1 entsprechen. Die Nutenbreite des Schnitts muss größer als die Dicke des Spaltkeils sein, und der Sägeblattkörper muss dünner als der Spaltkeil sein.
4. Verwenden Sie keine Sägeblätter aus Schnellstahl.
5. Tragen Sie stets eine Schutzbrille.
6. Tragen Sie einen Gehörschutz, um die Gefahr von Gehörschädigung zu verringern.
7. Tragen Sie Handschuhe zur Handhabung von Sägeblättern (Sägeblätter sollten stets in einem Halter getragen werden, wenn praktikabel) und raum Material.

8. Schließen Sie das Werkzeug beim Betrieb an eine Staubsammelvorrichtung an.
9. Bewahren Sie den Schiebstock stets sicher auf, wenn er nicht benutzt wird.
10. Halten Sie den Bodenbereich um die Werkzeugebene aufgeräumt und frei von losen Teilen, wie z.B. Spänen und Sägeabfällen.
11. Die Bedienungsperson sollte in der Handhabung, Einstellung und Bedienung des Werkzeugs hinreichend geschult sein.
12. Schalten Sie die Säge aus, und ziehen Sie den Netzstecker ab, wenn Sie die Säge unbeaufsichtigt lassen.
13. Um den erzeugten Geräuschpegel zu reduzieren, achten Sie stets darauf, dass das Sägeblatt scharf und sauber ist.
14. Verwenden Sie nur Sägeblätter, die mit einer Maximaldrehzahl markiert sind, die der an der Maschine angegebenen Leerlaufdrehzahl entspricht oder diese übertrifft.
15. Entfernen Sie niemals Verschnitt oder andere Teile des Werkstücks vom Schnittbereich, während die Maschine mit ungeschlitztem Sägeblatt läuft.
16. Das Werkzeug darf nicht für Nutenfräsen, Falzfräsen oder Auskehlen verwendet werden.
17. Reinigen Sie die Spindel, die Flansche (besonders die Montagefläche) und die Befestigungsschraube, bevor oder während Sie das Sägeblatt montieren, und achten Sie darauf, dass diese Teile nicht beschädigt werden. Eine Beschädigung dieser Teile kann zu einem Sägeblattbruch führen. Schlechte Montage kann Vibrieren/Flattern oder Schlupf des Sägeblatts verursachen. Verwenden Sie nur die für dieses Werkzeug vorgeschriebenen Flansche.
18. Verwenden Sie immer die in dieser Anleitung empfohlenen Zubehörteile. Der Gebrauch ungeeigneten Zubehörs, z.B. von Trennscheiben, kann Verletzungen zur Folge haben.
19. Wählen Sie das korrekte Sägeblatt für das zu schneidende Material aus.
20. Schneiden Sie keine Metallgegenstände, wie z. B. Nägel oder Schrauben. Untersuchen Sie das Werkstück sorgfältig auf Nägel, Schrauben und sonstige Fremdkörper, und entfernen Sie diese vor der Bearbeitung.
21. Schlagen Sie etwaige lose Knorren aus dem Werkstück heraus, BEVOR Sie mit dem Sägen beginnen.
22. Benutzen Sie das Werkzeug nicht in Gegenwart von brennbaren Flüssigkeiten oder Gasen.
23. Säubern Sie den Arbeitsbereich und die Tischplatte sicherheitshalber von Spänen, Kleinteilen usw., bevor Sie das Werkzeug anschließen und mit der Arbeit beginnen.
24. Halten Sie Ihre Hände vom Sägeblatt fern, und achten Sie darauf, dass Umstehende und Sie selbst ausreichenden Abstand vom Sägeblatt haben und nicht in seiner Fluchtlinie stehen. Vermeiden Sie jegliche Berührung mit dem auslaufenden Sägeblatt. Es kann auch in diesem Zustand noch schwere Verletzungen verursachen. Fassen Sie auch niemals um das Sägeblatt.

25. Seien Sie stets wachsam, besonders bei sich dauernd wiederholenden, eintönigen Arbeiten. Lassen Sie sich nicht in ein trügerisches Sicherheitsgefühl wiegen. Sägeblätter kennen kein Erbarmen.
 26. Vergewissern Sie sich vor dem Einschalten des Werkzeugs, dass die Spindelarretierung freigegeben ist.
 27. Lassen Sie das Werkzeug vor dem eigentlichen Schneiden eines Werkstücks eine Weile laufen. Achten Sie auf Vibrationen oder Taumelbewegungen, die Anzeichen für schlechte Montage oder ein schlecht ausgewuchtetes Sägeblatt sein können.
 28. Warten Sie, bis das Sägeblatt die volle Drehzahl erreicht hat, bevor Sie mit dem Schneiden beginnen.
 29. Unterlassen Sie das Entfernen von Bruchstücken oder anderen Teilen des Werkstücks vom Schnittbereich, während das Werkzeug läuft und das Sägeblatt sich nicht in der Ruhestellung befindet.
 30. Brechen Sie den Betrieb sofort ab, wenn Sie irgendetwas Ungewöhnliches bemerken.
 31. Schalten Sie das Werkzeug aus und lassen Sie das Sägeblatt zum Stillstand kommen, bevor Sie das Werkstück bewegen oder Einstellungen ändern.
 32. Trennen Sie das Werkzeug vom Stromnetz, bevor Sie das Sägeblatt wechseln und das Werkzeug warten oder stillsetzen.
 33. Bei manchen Werkstoffen kann der beim Sägen erzeugte Staub Chemikalien enthalten, die erwiensenermaßen Krebs, Geburtsfehler oder Schäden an Fortpflanzungsorganen verursachen. Beispiele dieser Chemikalien sind wie folgt:
 - Blei in Lack mit Bleizusatz sowie
 - Arsen und Chrom in chemisch behandeltem Bauholz.
 Ihre Gefährdung durch den Umgang mit solchen Chemikalien hängt davon ab, wie oft Sie diese Arbeiten verrichten. Um Ihre Aussetzung zu diesen Chemikalien zu reduzieren: Arbeiten Sie in gut belüfteter Umgebung, und verwenden Sie geprüfte Sicherheitsvorrichtungen, wie z.B. Staubmasken, die mikroskopische Teilchen herausfiltern.
 34. Vergewissern Sie sich nach dem Umklappen, dass der Tisch einwandfrei mit dem Hebel fixiert ist.
- BEIM BETRIEB IM GEHRUNGSSÄGENMODUS:**
35. Verwenden Sie die Säge nur zum Schneiden von Holz, Aluminium oder ähnlichen Materialien.
 36. Führen Sie keine freihändigen Arbeiten aus. Das Werkstück muss bei allen Operationen mit dem Schraubstock fest gegen Drehteller und Gehrungsanschlag gesichert werden. Sichern Sie das Werkstück niemals nur mit Ihrer Hand.
 37. Vergewissern Sie sich vor jedem Schnitt, dass die Maschine stabil ist.
 38. Stützen Sie lange Werkstücke mit geeigneten Zusatzstützen ab.
 39. Schneiden Sie niemals kleine Werkstücke, die nicht sicher in den Schraubstock eingespannt werden können. Ein unzureichend gesichertes Werkstück kann Rückschlag und schweren Personenschaden verursachen.
40. Vergewissern Sie sich, dass der Drehteller einwandfrei gesichert ist, damit er sich während des Betriebs nicht bewegt.
 41. Vergewissern Sie sich, dass der Arm einwandfrei gesichert ist, wenn Sie Neigungsschnitte ausführen. Ziehen Sie den Hebel zur Sicherung des Arms im Uhrzeigersinn an.
 42. Vergewissern Sie sich, dass das Sägeblatt in der Tiefstellung nicht den Drehteller berührt und vor dem Einschalten des Werkzeugs nicht mit dem Werkstück in Berührung ist.
 43. Halten Sie den Handgriff sicher fest. Beachten Sie, dass sich die Säge beim Anlaufen und Abstellen geringfügig nach oben oder unten bewegt.
- BEIM BETRIEB IM TISCHSÄGENMODUS (BANKSÄGENMODUS):**
44. Führen Sie keine freihändigen Arbeiten aus. Mit freihändig ist die Verwendung nur der Hände zum Halten oder Führen des Werkstücks anstelle eines Parallelanschlags gemeint.
 45. Vergewissern Sie sich, dass der Drehteller einwandfrei fixiert ist.
 46. Vergewissern Sie sich, dass der Arm einwandfrei in der Arbeitsstellung gesichert ist. Ziehen Sie den Hebel zur Sicherung des Arms im Uhrzeigersinn an.
 47. Verwenden Sie einen Schiebstock oder -klotz, um zu vermeiden, dass Ihre Hände und Finger in die Nähe des Sägeblatts kommen.
 48. Vergewissern Sie sich vor dem Einschalten des Werkzeugs, dass das Sägeblatt nicht den Spaltkeil oder das Werkstück berührt.
 49. Beachten Sie besonders die Anweisungen zur Verringerung der Gefahr von RÜCKSCHLAG. RÜCKSCHLAG ist eine plötzliche Reaktion auf ein klemmendes, schleifendes oder versetztes Sägeblatt. RÜCKSCHLAG verursacht das Auswerfen des Werkstücks aus dem Werkzeug nach hinten in Richtung der Bedienungsperson. RÜCKSCHLAG KANN ZU SCHWEREN VERLETZUNGEN FÜHREN. Vermeiden Sie RÜCKSCHLAG, indem Sie das Sägeblatt scharf halten, den Parallelanschlag parallel zum Sägeblatt halten, den Spaltkeil und die Schutzhaube anbringen und in einwandfreiem Betriebszustand halten, das Werkstück nicht eher loslassen, bis es vollkommen am Sägeblatt vorbeigeschoben ist und Werkstücke, die verdreht oder verzogen sind oder keine gerade Kante zur Führung entlang dem Parallelanschlag haben, nicht längs sägen.
 50. Vermeiden Sie ruckartiges oder zu schnelles Vorschieben. Schieben Sie harte Werkstücke möglichst langsam vor. Unterlassen Sie Biegen oder Verdrehen des Werkstücks während des Vorschubs. Falls das Sägeblatt im Werkstück hängen bleibt oder sich verklemmt, schalten Sie das Werkzeug sofort aus. Trennen Sie das Werkzeug vom Stromnetz. Befreien Sie dann das Sägeblatt.
 51. Vergewissern Sie sich vor dem Umdrehen des Werkzeugs stets, dass der Werkzeugkopf durch den Anschlagstift einwandfrei in der Tiefstellung gesichert ist.

DIESE ANWEISUNGEN AUFBEWAHREN.

⚠️ WARNUNG:

Lassen Sie sich **NICHT** durch **Bequemlichkeit** oder **Vertrautheit mit dem Produkt** (durch wiederholten Gebrauch erworben) von der strikten Einhaltung der Sicherheitsregeln für das vorliegende Produkt abhalten. **MISSBRAUCH** oder **Missachtung der Sicherheitsvorschriften** in dieser Anleitung können **schwere Verletzungen verursachen**.

INSTALLATION

VORSICHT:

- Halten Sie den Bodenbereich um die Werkzeugebene aufgeräumt und frei von losen Teilen, wie z.B. Spänen und Sägeabfällen.

Werkbankmontage (Abb. 1, 2 und 3)

Einrichtung als hoher Tisch mit voll ausgefahrenen Füßen

Steht das Werkzeug nicht stabil, drehen Sie die Einstellschraube am Fuß des Werkzeugs, um stabilen Stand zu gewährleisten. Drehen Sie die Einstellschraube bei Draufsicht nach links, um den Fuß zu verkürzen, und nach rechts, um ihn zu verlängern. Vergewissern Sie sich nach der Einstellung, dass das Werkzeug stabil bleibt.

Installieren Sie die Sicherungslaschen mit Sechskantschrauben so an drei Füßen des Werkzeugs, dass das abgewinkelte Ende nach außen zeigt. Befestigen Sie das Werkzeug mit drei Schrauben durch die Löcher der Sicherungslaschen auf einer stabilen und ebenen Fläche.

Einrichtung als niedriger Tisch mit eingeklappten Füßen

Klappen Sie die Füße ein, und sichern Sie das Werkzeug unter Verwendung der in der Abbildung gezeigten U-Nuten.

FUNKTIONSBESCHREIBUNG

VORSICHT:

- Vergewissern Sie sich vor jeder Einstellung oder Funktionsprüfung des Werkzeugs stets, dass es ausgeschaltet und vom Stromnetz getrennt ist.

Schutzhaube (Abb. 4, 5 und 6)

VORSICHT:

- Vergewissern Sie sich, dass der Handgriff nicht abgesenkt werden kann, ohne den Hebel in seiner Nähe nach links zu drücken.
- Vergewissern Sie sich, dass sich die untere Schutzhaube A nur öffnet, wenn der Hebel am Handgriff in der Hochstellung des Handgriffs gedrückt wird.
- Vergewissern Sie sich, dass die untere Schutzhaube C installiert ist, bevor Sie das Werkzeug im Gehrungssägemodus benutzen.

Wenn der Handgriff abgesenkt wird, hebt sich die untere Schutzhaube A automatisch. Die untere Schutzhaube B hebt sich bei Berührung mit dem Werkstück. Die unteren Schutzhauben sind gefedert, so dass sie in ihre Ausgangsstellung zurückkehren, wenn der Schnitt vollendet ist und der Handgriff angehoben wird. Die obere Schutzhaube fällt flach auf die Tischoberseite, nachdem das Werkstück unter ihr hindurchgeschoben worden ist. **AUF KEINEN FALL DÜRFEN DIE UNTEREN SCHUTZHAUBEN, DIE AN DER UNTEREN SCHUTZHAUBE ANGEBRACHTE FEDER ODER DIE OBERE SCHUTZHAUBE FUNKTIONSunFÄHIG GEMACHT ODER ENTFERNT WERDEN**, außer in den folgenden Fällen.

Im Interesse Ihrer eigenen Sicherheit sollten Sie die Schutzhauben stets in ordnungsgemäßem Zustand halten. Funktionsstörungen der Schutzhauben müssen sofort behoben werden. Überprüfen Sie die gefederte Rückkehrbewegung der unteren Schutzhauben. **BENUTZEN SIE DAS WERKZEUG NIEMALS MIT BESCHÄDIGTER, DEFEKTER ODER FEHLENDER UNTERER SCHUTZHAUBE, FEDER ODER OBERER SCHUTZHAUBE**, außer in den folgenden Fällen. **DIES IST ÄUSSERST GEFÄHRLICH UND KANN SCHWERE VERLETZUNGEN VERURSACHEN**.

HINWEIS:

- Die folgenden Ausnahmen für die Entfernung der Schutzhauben sind zulässig. Die untere Schutzhaube C darf nur bei Benutzung im Tischsägemodus entfernt werden. Die obere Schutzhaube darf nur bei Benutzung im Gehrungssägemodus entfernt werden.

Wenn eine dieser transparenten Schutzhauben schmutzig wird oder soviel Sägemehl an ihr haftet, dass das Sägeblatt nicht mehr ohne weiteres sichtbar ist, sollten Sie die Säge vom Stromnetz trennen und die Schutzhaube mit einem feuchten Tuch sorgfältig reinigen. Verwenden Sie keine Lösungsmittel oder Reinigungsmittel auf Petroleumbasis zum Reinigen der Kunststoff-Schutzhaube.

Falls die untere Schutzhaube A besonders stark verschmutzt und die Sicht durch die Schutzhaube behindert ist, gehen Sie folgendermaßen vor. Heben Sie den Handgriff vollständig an. Entfernen Sie das Sägeblatt (Siehe den Abschnitt „Montieren und Demontieren des Sägeblatts“). Heben Sie die untere Schutzhaube A an, während Sie den Hebel nach links drücken. In dieser Stellung der unteren Schutzhaube A kann die Reinigung gründlicher und effizienter durchgeführt werden. Wenden Sie nach der Reinigung das obige Demontageverfahren umgekehrt an, und ziehen Sie die Schraube an.

Gehen Sie im Falle der oberen Schutzhaube wie oben beschrieben vor, indem Sie den Knopf an der Vorderseite nach oben drücken und die obere Schutzhaube entfernen. Nach der Reinigung ist die Schutzhaube wieder einwandfrei zu montieren.

Sollte sich eine dieser Schutzhauben durch Alterung oder UV-Strahlung verfärben, bestellen Sie eine neue Schutzhaube bei einer Makita-Kundendienststelle. **DIE SCHUTZHAUBEN DÜRFEN NICHT FUNKTIONSunFÄHIG GEMACHT ODER ENTFERNT WERDEN**.

Aufrechterhalten der maximalen Schnittleistung (Abb. 7)

Dieses Werkzeug wurde werkseitig so eingestellt, dass die maximale Schnittleistung mit einem Sägeblatt von 260 mm Durchmesser erreicht wird.

Wenn Sie ein neues Sägeblatt montieren, überprüfen Sie immer die untere Grenzposition des Sägeblatts, und nehmen Sie nötigenfalls eine Einstellung vor, wie folgt:

VORSICHT:

- Trennen Sie das Werkzeug vom Stromnetz, bevor Sie diese Einstellung durchführen.

Ziehen Sie zuerst den Netzstecker ab. Senken Sie den Handgriff völlig ab. Drehen Sie die Einstellschraube mit dem Steckschlüssel, bis der Sägeblattumfang am Berührungspunkt von Gehrungsanschlag-Vorderseite und Drehteller-Oberfläche geringfügig unterhalb der Drehteller-Oberfläche liegt.

Drehen Sie das Sägeblatt bei vom Stromnetz getrenntem Werkzeug von Hand, während Sie den Handgriff in der Tiefstellung halten, um sicherzugehen, dass das Sägeblatt keinen Teil des Auflagetisches berührt. Nötigenfalls ist eine Nachjustierung vorzunehmen.

VORSICHT:

- Vergewissern Sie sich nach der Montage eines neuen Sägeblatts stets, dass das Sägeblatt in der Tiefstellung des Handgriffs keinen Teil des Auflagetisches berührt. Führen Sie diese Überprüfung immer bei abgezogenem Netzstecker durch.

Dieses Werkzeug kann mit oder ohne die untere Begrenzung verwendet werden, indem der Untergrenzenanschlag verstellt wird, wie in der Abbildung gezeigt.

(Abb. 8)

Um das Werkzeug ohne die untere Begrenzung zu benutzen, drehen Sie den Anschlaghebel entgegen dem Uhrzeigersinn. Die Benutzung in dieser Position ist angebracht, um ein breites und dünnes Werkstück zu schneiden.

Um das Werkzeug mit der unteren Begrenzung zu benutzen, drehen Sie den Anschlaghebel im Uhrzeigersinn. Die Benutzung in dieser Position ist angebracht, um ein dickes Werkstück zu schneiden.

Einstellen des Gehrungswinkels (Abb. 9 und 10)

Lösen Sie die Klemmschraube am Gehrungsanschlag durch Linksdrehen. Drehen Sie den Drehteller mit dem Handgriff. Bewegen Sie den Handgriff, bis der Zeiger auf den gewünschten Winkel der Gehrungswinkelskala zeigt, und ziehen Sie dann die Klemmschraube durch Rechtsdrehung fest.

VORSICHT:

- Bringen Sie den Handgriff in die Hochstellung, bevor Sie den Drehteller drehen.
- Sichern Sie den Drehteller nach jeder Änderung des Gehrungswinkels stets durch Anziehen der Klemmschraube gegen Verdrehen.

Einstellen des Neigungswinkels (Abb. 11 und 12)

Im Gehrungsägenmodus

Um den Neigungswinkel einzustellen, lösen Sie den Hebel auf der Rückseite der Maschine durch Linksdrehen.

Schwenken Sie den Handgriff nach links, um das Sägeblatt zu neigen, bis der Zeiger auf den gewünschten Winkel der Neigungswinkelskala zeigt. Ziehen Sie dann den Verriegelungshebel durch Rechtsdrehen fest, um den Arm einwandfrei zu sichern.

VORSICHT:

- Bringen Sie den Handgriff in die Hochstellung, bevor Sie das Sägeblatt neigen.
- Sichern Sie den Arm nach jeder Änderung des Neigungswinkels stets durch Anziehen des Hebels im Uhrzeigersinn.

Im Tischsägenmodus (Abb. 13)

Um den Neigungswinkel einzustellen, lösen Sie den Hebel unter dem Tisch auf der Vorderseite des Werkzeugs durch Linksdrehen.

Schwenken Sie den Tiefeneinstellknopf nach links, um das Sägeblatt zu neigen, bis der Zeiger auf den gewünschten Winkel der Neigungswinkelskala zeigt. Ziehen Sie dann den Verriegelungshebel durch Rechtsdrehen fest, um den Arm einwandfrei zu sichern.

Schalterfunktion (Abb. 14)

Schalter für Gehrungsägenmodus

VORSICHT:

- Vergewissern Sie sich vor dem Anschließen des Werkzeugs an das Stromnetz stets, dass der Schalthebel ordnungsgemäß funktioniert und beim Loslassen in die AUS-Stellung zurückkehrt.
- Wenn Sie das Werkzeug nicht benutzen, entfernen Sie den Einschaltsperrknopf (Schaltersicherung), und bewahren Sie ihn an einem sicheren Ort auf. Dadurch wird unbefugter Betrieb verhindert.
- Betätigen Sie den Schalthebel nicht gewaltsam, ohne den Einschaltsperrknopf hineinzudrücken. Dies kann zu Beschädigung des Schalters führen.

Um versehentliche Betätigung des Schalthebels zu verhindern, ist das Werkzeug mit einem Einschaltsperrknopf ausgestattet. Zum Einschalten des Werkzeugs den Arretierhebel nach links schieben, den Einschaltsperrknopf hineindrücken, und dann den Schalthebel betätigen. Lassen Sie zum Ausschalten den Schalthebel los.

Schalter für Tischsägenmodus

VORSICHT:

- Vergewissern Sie sich vor dem Betrieb, dass sich das Werkzeug einwandfrei ein- und ausschalten lässt.

Drücken Sie zum Einschalten des Werkzeugs den Einschaltknopf (I). Drücken Sie zum Ausschalten den Ausschaltknopf (O).

Einstellen der Schnitttiefe (Abb. 15)

Die Schnitttiefe kann durch Drehen des Schnittiefen-Einstellknopfes eingestellt werden. Drehen Sie den Schnittiefen-Einstellknopf im Uhrzeigersinn, um das Sägeblatt anzuheben, oder entgegen dem Uhrzeigersinn, um es abzusenken.

WARNUNG:

- Verwenden Sie zum Schneiden dünner Materialien eine geringe Tiefeneinstellung, um einen saubereren Schnitt zu erhalten.

VORSICHT:

- Bei völlig abgesenktem Werkzeugkopf kann der Anschlagstift nicht gedreht werden. Drehen Sie den Knopf in diesem Fall geringfügig entgegen dem Uhrzeigersinn, um den Anschlagstift freizugeben. **(Abb. 16)**

Überlastschalter

- Nur Werkzeuge für eine Versorgungsspannung von 200 V oder höher. Die Nennspannung ist auf dem Typenschild des Werkzeugs angegeben.
- Wenn die Belastung des Werkzeugs das zulässige Maß überschreitet, wird die Motorleistung reduziert, um den Motor vor Überhitzung zu schützen. Sobald die Belastung auf zulässige Werte abfällt, arbeitet das Werkzeug wieder normal.

MONTAGE

VORSICHT:

- Vergewissern Sie sich vor der Ausführung von Arbeiten am Werkzeug stets, dass es ausgeschaltet und vom Stromnetz getrennt ist.

Steckschlüssel-Aufbewahrung (Abb. 17)

Der Inbusschlüssel wird gemäß der Abbildung aufbewahrt. Ziehen Sie den Inbusschlüssel zum Gebrauch aus dem Inbusschlüsselhalter heraus. Setzen Sie den Inbusschlüssel nach dem Gebrauch wieder in den Inbusschlüsselhalter ein.

Zweifache Tischhöhen-Einstellung

Die Tischhöhe kann entweder hoch oder niedrig eingestellt werden.

WARNUNG:

- Bevor Sie das Werkzeug nach hinten umklappen, versetzen Sie es stets in den Gehrungssägenmodus, und verriegeln Sie den Werkzeugkopf in der Tiefstellung.

1. Einrichtung als hoher Tisch (Abb. 18)

Um das Werkzeug mit hohem Tisch einzurichten, gehen Sie folgendermaßen vor.

- (1) Klappen Sie das Werkzeug vorsichtig nach HINTEN um, während Sie es mit beiden Händen halten.
- (2) Drehen Sie den Haken gemäß der Abbildung in Pfeilrichtung, um die Beine auszuklappen. Klappen Sie die Tischbeine auf einer Seite auf, und drücken Sie die untere Stange der Beine bis zum Anschlag nach vorne, bis sie selbsttätig einrasten. Wiederholen Sie den gleichen Vorgang für die Beine der gegenüberliegenden Seite. Vergewissern Sie sich, dass die Beine auf beiden Seiten vollständig verriegelt sind.

WARNUNG:

- Vergewissern Sie sich, dass die Anschlaghaken korrekt in der Nut des Halters sitzen.

- (3) Bringen Sie das Werkzeug wieder in die Aufrechtstellung.

2. Einrichtung als niedriger Tisch (Abb. 19)

Die Beine können gemäß der Abbildung eingeklappt werden. Um das Werkzeug einzuklappen, gehen Sie folgendermaßen vor.

- (1) Klappen Sie das Werkzeug vorsichtig nach HINTEN um, während Sie es mit beiden Händen halten.
- (2) Ziehen Sie zuerst den Anschlag am Gelenk der linken Beine hoch, um ihn zu entriegeln.
- (3) Wiederholen Sie die obigen Schritte für die Beine der gegenüberliegenden Seite.
- (4) Sichern Sie die Beine mit einem Haken.

- (5) Bringen Sie das Werkzeug wieder in die Aufrechtstellung.

Montieren und Demontieren des Sägeblatts

VORSICHT:

- Vergewissern Sie sich vor der Montage oder Demontage des Sägeblatts stets, dass das Werkzeug ausgeschaltet und vom Stromnetz getrennt ist.
- Verwenden Sie nur den mitgelieferten Makita-Inbusschlüssel zum Montieren und Demontieren des Sägeblatts. Anderenfalls besteht die Gefahr, dass die Innensechskantschraube zu fest oder unzureichend angezogen wird. Dies könnte zu einer Verletzung führen.

Heben Sie den Handgriff auf die Hochstellung an.

Blockieren Sie die Spindel durch Drücken der Spindelarreterierung, und lösen Sie die Innensechskantschraube (linksgängig) durch Rechtsdrehung des Inbusschlüssels. **(Abb. 20)**

Heben Sie die Schutzhaube A mit dem Hubhebel an, während Sie den Hebel am Handgriff nach links drücken. Entfernen Sie Innensechskantschraube, Außenflansch und Sägeblatt bei angehobener Schutzhaube A. **(Abb. 21)**

Zum Montieren schieben Sie das Sägeblatt vorsichtig auf die Spindel, wobei Sie sich darauf achten, dass der Pfeil auf dem Sägeblatt in dieselbe Richtung zeigt wie der Pfeil auf der Schutzhaube. Bringen Sie Außenflansch und Innensechskantschraube an, und ziehen Sie dann die Innensechskantschraube (linksgängig) bei gedrückter Spindelarreterierung durch Linksdrehung des Inbusschlüssels fest. **(Abb. 22 und 23)**

HINWEIS:

- Führen Sie das Sägeblatt zum Installieren zunächst in die Schutzhaube B ein, und heben Sie es dann so weit an, dass es sich in der Schutzhaube B befindet.

VORSICHT:

- Der Ring von 25,4 oder 30 mm Außendurchmesser wurde werksseitig auf die Spindel montiert. Bevor Sie das Sägeblatt an der Spindel anbringen, sollten Sie sich stets vergewissern, dass der korrekte Ring für die Spindelbohrung des zu benutzenden Sägeblatts auf die Spindel montiert ist. **(Abb. 24)**

Bringen Sie die untere Schutzhaube A wieder in ihre Ausgangsstellung. Senken Sie den Handgriff ab, um zu prüfen, ob sich die unteren Schutzhauben einwandfrei bewegen. Vergewissern Sie sich vor der Benutzung des Werkzeugs, dass die Spindelarreterierung gelöst ist.

Einstellen des Spaltkeils

Es muss ein Abstand von etwa 5 – 6 mm zwischen dem Spaltkeil und den Sägeblattzähnen vorhanden sein, wenn der Spaltkeil vollständig auf das Sägeblatt zu geschoben wird. Stellen Sie den Spaltkeil entsprechend ein, indem Sie zuerst die Knebelmutter durch Linksdrehen von Hand und dann die Innensechskantschraube mit dem Inbusschlüssel lösen und den Abstand messen. Ziehen Sie nach der Einstellung die Innensechskantschraube und die Knebelmutter wieder fest an. Vergewissern Sie sich vor dem Schneiden stets, dass der Spaltkeil befestigt ist und die obere Schutzhaube sich ungehindert bewegt. **(Abb. 25 und 26)**

Der Spaltkeil ist werkseitig so eingestellt worden, dass sich Sägeblatt und Spaltkeil nach Ihrer einfachen Einrichtung auf einer geraden Linie befinden. Näheres zur Einrichtung im Abschnitt „Verstellen des Spaltkeils“. (Abb. 27)

VORSICHT:

- Falls Sägeblatt und Spaltkeil nicht einwandfrei fluchten, kann es während des Betriebs zu einer gefährlichen Klemmwirkung kommen. Vergewissern Sie sich, dass sich der Spaltkeil bei Draufsicht zwischen den beiden Außenkanten der Sägeblattzähne befindet. Wird das Werkzeug mit falsch ausgerichtetem Spaltkeil benutzt, kann es zu schweren Verletzungen kommen. Sind die Teile aus irgendeinem Grund nicht ausgerichtet, lassen Sie unbedingt eine Reparatur von einer autorisierten Makita-Kundendienststelle durchführen.
- Wenn Sie den Abstand des Spaltkeils zu den Sägeblattzähnen einstellen, lösen Sie die Innensechskantschraube immer erst, nachdem Sie die Knebelmutter gelöst haben.

Installieren und Einstellen des Parallelenschlags (Abb. 28)

1. Befestigen Sie den Parallelenschlag so am Tisch, dass der Parallelenschlaghalter auf der Führungsschiene ruht. Ziehen Sie die Klemmschraube (B) des Parallelenschlags fest im Uhrzeigersinn an.
2. Lösen Sie die Klemmschraube (A).
3. Verschieben Sie den Parallelenschlag und befestigen Sie ihn so, dass das vom Werkstück abgewandte Ende auf den Punkt ausgerichtet ist, an dem die Vorderkante des Sägeblatts gerade auf der Oberseite des Werkstücks erscheint. Der Zweck dieser Einstellung besteht darin, die Gefahr eines Rückschlags in Richtung der Bedienungsperson zu reduzieren, bei dem das vom Werkstück abgeschnittene Stück zwischen Sägeblatt und Parallelenschlag eingeklemmt und zur Bedienungsperson herausgeschleudert wird. Die Lage der Linie (A) hängt von der Dicke des Werkstücks oder der Tischhöhe ab. Stellen Sie die Position des Parallelenschlags entsprechend der Dicke des Werkstücks ein. Nachdem Sie den Parallelenschlag eingestellt haben, ziehen Sie die Klemmschraube (A) wieder fest an. (Abb. 29)

HINWEIS:

- Es gibt vier Muster zur Positionierung des Parallelenschlags, wie in der Abbildung gezeigt. Der Parallelenschlag besitzt zwei Schlitze in seinen Seitenflächen, einer mit erhöhtem Rand auf der gleichen Seite, und einer ohne Rand. Die mit diesem Rand versehene Fläche des Parallelenschlags sollte nur dann zum Werkstück weisen, wenn ein Stück eines dünnen Werkstücks abgeschnitten wird.
- Um das Parallelenschlagmuster zu ändern, entfernen Sie den Parallelenschlag vom Halter, indem Sie die Klemmschraube (A) lösen, und ändern Sie die Ausrichtung des Parallelenschlags zum Halter, so dass je nach der anstehenden Arbeit die entsprechende Seite zum Halter weist, wie in der Abbildung gezeigt. Führen Sie die Vierkantmutter am Parallelenschlaghalter in das hintere Ende des jeweiligen Schlitzes im Parallelenschlag ein, so dass sie die in der Abbildung gezeigte Position hat.

Um das Muster von A oder B nach C oder D oder umgekehrt zu ändern, entfernen Sie Vierkantmutter und Klemmschraube (A) vom Parallelenschlaghalter, und bringen Sie dann Klemmschraube (A) und Vierkantmutter auf der entgegengesetzten Seite der ursprünglichen Position an. Ziehen Sie die Klemmschraube (A) fest an, nachdem Sie die Vierkantmutter des Parallelenschlaghalters in den Schlitz des Parallelenschlags eingeführt haben.

Führen Sie die Vierkantmutter am Parallelenschlaghalter in das hintere Ende des jeweiligen Schlitzes im Parallelenschlag ein, so dass sie die in den Abbildungen gezeigte Position hat. (Abb. 30 und 31)

Der Parallelenschlag ist werkseitig so eingestellt, dass er parallel zur Sägeblattfläche liegt. Vergewissern Sie sich, dass er parallel ist. Um sicherzustellen, dass der Parallelenschlag parallel zum Sägeblatt ist, stellen Sie die Sägeblatthöhe mit dem Schnitttiefe-Einstellknopf ein, so dass das Sägeblatt am weitesten vom Tisch übersteht. Markieren Sie einen der Sägeblattzähne mit einem Buntstift. Messen Sie die Abstände (A) und (B) zwischen Parallelenschlag und Sägeblatt. Verwenden Sie für beide Messungen den markierten Zahn. Diese beiden Messungen müssen identisch sein. Ist der Parallelenschlag nicht parallel zum Sägeblatt, gehen Sie wie folgt vor: (Abb. 32 und 33)

- (1) Drehen Sie die Einstellschraube entgegen dem Uhrzeigersinn.
- (2) Verschieben Sie die Vorderkante des Parallelenschlags geringfügig nach rechts oder links, bis er parallel zum Sägeblatt ist.
- (3) Ziehen Sie die Einstellschraube am Parallelenschlag fest an.

VORSICHT:

- Stellen Sie den Parallelenschlag unbedingt parallel zum Sägeblatt ein, weil sonst eine gefährliche Rückschlagsituation eintreten kann.
- Stellen Sie den Parallelenschlag so ein, dass er nicht mit der oberen Schutzhaube oder dem Sägeblatt in Berührung kommt. (Abb. 34)
- Transportieren oder tragen Sie das Werkzeug nicht am Parallelenschlag.
- Wird der installierte Parallelenschlag mit der Hand an der Oberseite angehoben oder nach rechts und links gedrückt, kann er beschädigt und in seiner Funktion beeinträchtigt werden.

Installieren und Einstellen des Gehrungsanschlags (Abb. 35)

Installieren Sie den Gehrungsanschlag, indem Sie seinen Schaft von vorne in eine der beiden Führungsnuten des Tisches einführen. Je nach der anstehenden Arbeit kann eine Anschlagplatte, die auch als Parallelenschlag dient, am Gehrungsanschlag angebracht werden.

Staubsaack

Der Staubsaack ermöglicht sauberes Arbeiten und einfaches Staubsammeln. Zum Anbringen wird der Staubsaack auf den Absaugstutzen geschoben. (Abb. 36)

Wenn der Staubsaack etwa halb voll ist, nehmen Sie ihn vom Werkzeug ab und ziehen den Verschluss heraus. Entleeren Sie den Staubsaack, indem Sie ihn leicht abklopfen, um die an den Innenflächen haftenden Staubpartikel, die den Durchlass behindern können, zu lösen. (Abb. 37)

Wenn Sie einen Staubsauger an Ihre Säge anschließen, können Sie noch effizienter und sauberer arbeiten. (Abb. 38)

Kniestück (Abb. 39)

VORSICHT:

- Drehen Sie die Auslassöffnung des Kniestücks in die gewünschte Richtung, um zu vermeiden, dass Staub und Späne auf das Werkzeug und Personen im Arbeitsbereich herausgeschleudert werden.

Bringen Sie das Kniestück an, um die Staubauswurfrichtung zu ändern.

Sicherung von Werkstücken

WARNUNG:

- Die einwandfreie Sicherung des Werkstücks mit dem Schraubstock ist äußerst wichtig. Nachlässigkeit in diesem Punkt kann zu einer Beschädigung des Werkzeugs und/oder Zerstörung des Werkstücks führen. AUSSERDEM BESTEHT VERLETZUNGSGEFAHR. Außerdem sollte der Sägekopf nach erfolgtem Schnitt erst nach völligem Stillstand des Sägeblatts angeho- ben werden.

Zusatzanschlag (Abb. 40)

Der Zusatzanschlag kann am Gehrungsanschlag montiert werden. Wenn Sie linksseitige Neigungsschnitte ausführen oder das Werkzeug als Tischsäge (Banksägenmodus) benutzen wollen, entfernen Sie den Zusatzanschlag.

VORSICHT:

- Wenn Sie linksseitige Neigungsschnitte ausführen oder das Werkzeug als Tischsäge (Banksägenmodus) benutzen wollen, entfernen Sie den Zusatzanschlag. Anderenfalls kommt er mit dem Sägeblatt oder einem anderen Teil des Werkzeugs in Berührung, was schwere Verletzungen der Bedienungsperson zur Folge haben kann.

Vertikal-Schraubstock (Abb. 41)

Der Vertikal-Schraubstock kann entweder auf der linken oder rechten Seite des Gehrungsanschlags montiert werden. Setzen Sie die Schraubstockstange in die Bohrung des Gehrungsanschlags ein, und sichern Sie sie durch Anziehen der Klemmschraube.

Stellen Sie den Schraubstockarm auf die Abmessungen des Werkstücks ein, und sichern Sie ihn durch Anziehen der Klemmschraube. Falls die Befestigungsschraube des Schraubstockarms mit dem Gehrungsanschlag in Berührung kommt, installieren Sie die Klemmschraube auf der entgegengesetzten Seite des Schraubstockarms. Vergewissern Sie sich, dass keine Werkzeugteile mit dem Schraubstock in Berührung kommen, wenn der Handgriff auf die Tiefstellung abgesenkt wird. Falls irgendwelche Teile mit dem Schraubstock in Berührung kommen, ist der Schraubstock zu versetzen.

Drücken Sie das Werkstück flach gegen Gehrungsanschlag und Drehteller. Bringen Sie das Werkstück in die gewünschte Schnittposition, und sichern Sie es einwandfrei durch Anziehen des Schraubstockknopfes.

VORSICHT:

- Das Werkstück muss fest an Drehteller und Gehrungsanschlag anliegend gesichert werden.

Einrichten des Werkzeugs im Tischsäge-Modus

VORSICHT:

- Bevor Sie das Werkzeug im Tischsäge-Modus benutzen, vergewissern Sie sich, dass der Drehteller mit der Klemmschraube am Gehrungsanschlag im 0°-Gehrungswinkel gesichert worden ist.
- Vergewissern Sie sich vor der Benutzung im Tischsäge-Modus, dass der Werkzeugkopf mit dem Hebel gesichert worden ist.
- Vergewissern Sie sich vor der Benutzung im Tischsäge-Modus, dass der Spaltkeil einwandfrei gesichert worden ist.
- Entfernen Sie die untere Schutzhaube C vor der Benutzung im Tischsäge-Modus.
- Lösen Sie den Untergrenzenanschlag im Tischsäge-Modus.

Das Werkzeug wurde werksseitig für den Gehrungssäge-Modus eingerichtet. Bevor Sie das Werkzeug im Tischsäge-Modus benutzen, ändern Sie die Einrichtung nach dem folgenden Verfahren.

1. Sichern des Drehtellers (Abb. 42)

Ziehen Sie die Klemmschraube am Gehrungsanschlag zur Sicherung des Drehtellers im 0°-Gehrungswinkel fest an.

2. Sichern des Werkzeugkopfes (Abb. 43)

Sichern Sie den Werkzeugkopf, indem Sie den Hebel gemäß der Abbildung in Pfeilrichtung anziehen.

3. Lösen des Untergrenzenanschlags (Abb. 44)

Vergewissern Sie sich, dass sich der Hebel des Untergrenzenanschlags in der Position A befindet, wie in der Abbildung gezeigt. Drehen Sie den Hebel des Untergrenzenanschlags entgegen dem Uhrzeigersinn auf die Position A, wenn er sich in der Position B befindet.

4. Verstellen des Spaltkeils (Abb. 45)

Die Position (Abb. 45-A) ist wie folgt zu ändern.

- (1) Lösen Sie die Knebelmutter. (Abb. 45-B)
- (2) Bringen Sie den Spaltkeil durch Ziehen und Drehen in Pfeilrichtung in die 90°-Stellung. (Abb. 45-C) Und drücken Sie ihn geringfügig hinein, um ihn in dieser Position festzustellen.
- (3) Heben Sie die untere Schutzhaube A von Hand an ihrem Ansatz vollständig an, während Sie den Hebel am Handgriff nach links drücken, und lassen Sie den Hebel am Handgriff los. (Abb. 45-D)
- (4) Schieben Sie den Spaltkeil in Pfeilrichtung (siehe Abb. 45-E), so dass er mit dem Sägeblatt fluchtet.
- (5) Nachdem Sie den Spaltkeil gemäß der Abbildung in Pfeilrichtung geschoben haben, lösen Sie die untere Schutzhaube A.
- (6) Ziehen Sie die Knebelmutter nach der Ausrichtung des Spaltkeils fest an (siehe Abb. 45-F).

5. Entfernen der unteren Schutzhaube C (Abb. 46)

Entfernen Sie die untere Schutzhaube C durch Lösen der Klemmschraube vom Tisch.

6. Verriegeln des Werkzeugkopfes in der Tiefstellung (Abb. 47 und 48)

Nachdem Sie den Spaltkeil für den Tischsäge-Modus eingerichtet haben, ziehen Sie den Anschlag in Richtung des Pfeils A, und drehen Sie ihn in gezogenem Zustand in Richtung des Pfeils B auf die 90°-Stellung. Senken Sie dann den Handgriff ab, um den Werkzeugkopf zu verriegeln.

VORSICHT:

- Lässt sich der Werkzeugkopf nicht in der Tiefstellung verriegeln, drehen Sie den Schnitttiefen-Einstellknopf um mehrere Umdrehungen im Uhrzeigersinn.
- Vergewissern Sie sich vor dem Umdrehen des Werkzeugs stets, dass der Werkzeugkopf durch den Anschlagstift einwandfrei in der Tiefstellung gesichert ist.

7. Umklappen des Werkzeugs (Abb. 49)

WARNUNG:

- Vergewissern Sie sich, dass das Werkzeug ausgeschaltet und vom Stromnetz getrennt ist, bevor Sie es umdrehen.
- Wenn Sie den Hebel nach unten drücken, achten Sie darauf, dass Ihre Hand bzw. Ihr Finger nicht zwischen Hebel und Tisch eingeklemmt wird. Halten Sie die mittlere Tischkante mit der einen Hand, drücken Sie den Hebel mit der anderen Hand nach unten, während Sie die Tischkante festhalten, und drehen Sie den Tisch vorsichtig, um ihn zu wenden. Halten Sie ihn, bis er einrastet.

8. Installieren der oberen Schutzhaube (Abb. 50)

Drücken Sie den Druckknopf der oberen Schutzhaube zur Seitenfläche, legen Sie die Schutzhaube bei gedrücktem Knopf auf die Kerbe des Spaltkeils, und lassen Sie den Knopf los.

Vergewissern Sie sich nach dem Loslassen des Knopfes durch Ziehen, dass die obere Schutzhaube einwandfrei gesichert ist.

VORSICHT:

- Nachdem Sie die obere Schutzhaube installiert haben, vergewissern Sie sich, dass sie einwandfrei funktioniert.

Einrichten des Werkzeugs im Gehrungssägenmodus (Abb. 51)

WARNUNG:

- Installieren Sie unbedingt die untere Schutzhaube C, bevor Sie das Werkzeug im Gehrungssägenmodus benutzen.

Um das Werkzeug vom Tischsägenmodus auf den Gehrungssägenmodus umzurüsten, wenden Sie das im Abschnitt „Einrichten des Werkzeugs im Tischsägenmodus“ beschriebene Verfahren umgekehrt an.

1. Entfernen der oberen Schutzhaube

Drücken Sie den Druckknopf der oberen Schutzhaube zur Seitenfläche, und nehmen Sie dann die obere Schutzhaube bei gedrücktem Knopf einfach nach oben ab.

2. Installieren der unteren Schutzhaube C

Setzen Sie die untere Schutzhaube C so auf den Tisch, dass sie im Schlitz des Tisches sitzt, und ziehen Sie die Klemmschraube fest an.

3. Umklappen des Werkzeugs

Nehmen Sie auf den Abschnitt „Einrichten des Werkzeugs im Tischsägenmodus“ Bezug.

4. Lösen des Werkzeugkopfes aus der Tiefstellung

Halten Sie den Handgriff, ziehen Sie den Anschlagstift in Richtung des Pfeils A, drehen Sie ihn in gezogenem Zustand in Richtung des Pfeils B auf die 90°-Stellung, und heben Sie dann den Handgriff langsam an.

5. Verstellen des Spaltkeils (Abb. 52)

Die Position des Spaltkeils (Abb. 52-A) ist wie folgt zu ändern.

- (1) Lösen Sie die Knebelmutter, und halten Sie die untere Schutzhaube A mit der Hand am Ansatz. **(Abb. 52-B)**
- (2) Während Sie die untere Schutzhaube A halten, ziehen Sie den Spaltkeil so, dass er sich drehen lässt, und schwenken Sie ihn in Pfeilrichtung auf die gezeigte Position. **(Abb. 52-C)**
- (3) Während Sie den Spaltkeil in dieser Position halten, bringen Sie die untere Schutzhaube A wieder in ihre Ausgangsstellung und ziehen die Knebelmutter fest an. **(Abb. 52-D und E)**

BETRIEB

VORSICHT:

- Lösen Sie den Handgriff vor der Benutzung aus der Tiefstellung, indem Sie den Anschlagstift herausziehen und um 90° drehen.
- Vergewissern Sie sich vor dem Einschalten des Werkzeugs, dass das Sägeblatt nicht das Werkstück usw. berührt.

VERWENDUNG ALS GEHRUNGSSÄGE

WARNUNG:

- Vergewissern Sie sich, dass die untere Schutzhaube C installiert ist, bevor Sie das Werkzeug im Gehrungssägenmodus benutzen.

VORSICHT:

- Üben Sie beim Schneiden keinen übermäßigen Druck auf den Handgriff aus. Zu starker Druck kann zu Überlastung des Motors und/oder verminderter Schnittleistung führen. Drücken Sie den Handgriff nur mit so viel Kraft nieder, wie für reibungslosen Sägebetrieb notwendig ist, ohne einen beträchtlichen Abfall der Sägeblattdrehzahl zu verursachen.
- Drücken Sie den Handgriff zur Ausführung des Schnitts sachte nieder. Bei zu großer oder seitlicher Kraftausübung kann das Sägeblatt in Schwingung versetzt werden, wodurch zusätzliche Sägespuren im Werkstück erzeugt werden und die Schnittgenauigkeit beeinträchtigt wird.

1. Kappschnitt (Abb. 53)

Legen Sie das Werkstück auf den Gehrungsanschlag und den Drehteller auf. Schalten Sie das Werkzeug ein, ohne dass das Sägeblatt Kontakt hat, und warten Sie, bis es seine volle Drehzahl erreicht, bevor Sie es absenken. Senken Sie dann den Handgriff zum Schneiden des Werkstücks sachte bis auf die Tiefstellung ab. Sobald der Schnitt beendet ist, schalten Sie das Werkzeug aus, und WARTEN SIE, BIS DAS SÄGEBLATT ZUM VÖLLIGEN STILLSTAND GEKOMMEN IST, bevor Sie den Sägekopf wieder ganz anheben.

2. Gehrungsschnitt

Nehmen Sie auf den vorherigen Abschnitt „Einstellen des Gehrungswinkels“ Bezug.

3. Neigungsschnitt (Abb. 54)

Lösen Sie den Hebel, und neigen Sie das Sägeblatt auf den gewünschten Neigungswinkel (siehe den obigen Abschnitt „Einstellen des Neigungswinkels“). Ziehen Sie den Hebel unbedingt fest an, um den eingestellten Neigungswinkel einwandfrei zu sichern. Legen Sie das Werkstück auf den Gehrungsanschlag und den Drehteller auf. Schalten Sie das Werkzeug ein, ohne dass das Sägeblatt Kontakt hat, und warten Sie, bis es seine volle Drehzahl erreicht. Senken Sie dann den Handgriff langsam auf die Tiefstellung ab, während Sie Druck parallel zum Sägeblatt ausüben. Sobald der Schnitt beendet ist, schalten Sie das Werkzeug aus, und WARTEN SIE, BIS DAS SÄGEBLATT ZUM VÖLLIGEN STILLSTAND GEKOMMEN IST, bevor Sie den Sägekopf wieder ganz anheben.

VORSICHT:

- Vergewissern Sie sich stets, dass sich das Sägeblatt während eines Neigungsschnitts in Schrägrichtung senkt. Halten Sie Ihre Hände von der Schnittlinie des Sägeblatts fern.
- Bei Neigungsschnitten kann es vorkommen, dass das abgeschnittene Stück an der Seitenfläche des Sägeblatts aufliegt. Durch Anheben des Sägeblatts bei noch laufendem Werkzeug kann das Werkstück vom Sägeblatt erfasst werden, was zu gefährlichem Heraus-schleudern von Bruchstücken führen kann. Das Sägeblatt darf erst angehoben werden, nachdem es zum völligen Stillstand gekommen ist.
- Üben Sie den Druck auf den Handgriff immer nur parallel zum Sägeblatt aus. Verläuft die Druckrichtung während eines Schnitts nicht parallel zum Sägeblatt, kann sich der Winkel des Sägeblatts verändern, wodurch die Schnittgenauigkeit beeinträchtigt wird.
- Entfernen Sie immer den Zusatzanschlag, wenn Sie linksseitige Neigungsschnitte ausführen wollen.

4. Compoundsschnitt

Unter Compoundsschnitt versteht man das Schneiden eines Werkstücks mit gleichzeitiger Gehrungs- und Neigungswinkeleinstellung. Die Kombinationsmöglichkeiten entnehmen Sie bitte der nachstehenden Tabelle.

Neigungswinkel	Gehrungswinkel
45°	Links und Rechts 0 – 45°

006366

Nehmen Sie zur Durchführung von Compoundsschnitten auf die Erläuterungen unter „Kappschnitt“, „Gehrungsschnitt“ und „Neigungsschnitt“ Bezug.

5. Schneiden von Aluminium-Strangpressprofilen (Abb. 55)

Verwenden Sie zum Einspannen von Aluminium-Strangpressprofilen Distanzblöcke oder Abfallholzstücke, wie in der Abbildung gezeigt, um eine Verformung des Aluminiums zu vermeiden. Verwenden Sie Schneidflüssigkeit zum Schneiden von Aluminium-Strangpressprofilen, um die Ablagerung von Aluminium-Rückständen am Sägeblatt zu verhüten.

VORSICHT:

- Versuchen Sie niemals, dickes oder rundes Aluminium-Strangpressmaterial zu schneiden. Dicke Aluminium-Strangpressprofile können sich während der Arbeit lösen, und runde Aluminium-Strangpressprofile lassen sich mit diesem Werkzeug nicht einwandfrei einspannen.

- Schneiden Sie auf keinen Fall Aluminium im Tischsägegenmodus (Banksägenmodus).

VERWENDUNG ALS TISCHSÄGE (BANKSÄGENMODUS)

VORSICHT:

- Verwenden Sie stets „Arbeitshilfen“, wie z.B. Schiebestöcke und Schiebeklötze, wenn die Gefahr besteht, dass Sie mit den Händen oder Fingern in die Nähe des Sägeblatts kommen.
- Sichern Sie das Werkstück stets einwandfrei mit dem Tisch und dem Parallelanschlag. Unterlassen Sie Biegen oder Verdrehen des Werkstücks während des Vorschubs. Wird das Werkstück gebogen oder verdreht, können gefährliche Rückschläge auftreten.
- Entnehmen Sie das Werkstück NIEMALS bei rotierendem Sägeblatt. Wenn Sie das Werkstück vor der Vollendung eines Schnitts entnehmen müssen, schalten Sie zuerst das Werkzeug aus, während Sie das Werkstück festhalten. Warten Sie, bis das Sägeblatt zum vollkommenen Stillstand gekommen ist, bevor Sie das Werkstück entnehmen. Anderenfalls kann es zu gefährlichen Rückschlägen kommen.
- Entfernen Sie abgesägtes Material NIEMALS bei rotierendem Sägeblatt.
- Halten Sie NIEMALS Ihre Hände oder Finger in den Weg des Sägeblatts.
- Sichern Sie den Parallelanschlag stets einwandfrei, weil es sonst zu gefährlichen Rückschlägen kommen kann.
- Verwenden Sie stets „Arbeitshilfen“, wie z.B. Schiebestöcke und Schiebeklötze zum Schneiden kleiner oder schmaler Werkstücke, oder wenn der Schneidkopf während des Schnittbetriebs nicht sichtbar ist.
- Wenn Sie das Werkzeug als Tischsäge (Banksägenmodus) benutzen wollen, entfernen Sie den Zusatzanschlag.

Arbeitshilfen

Schiebestöcke, Schiebeklötze oder Hilfsanschläge sind „Arbeitshilfen“. Verwenden Sie diese, um sichere, saubere Schnitte auszuführen und zu verhüten, dass Sie mit irgendeinem Körperteil das Sägeblatt berühren.

Schiebeklotz (Abb. 56)

Verwenden Sie ein 19 mm dickes Sperrholzstück. Der Handgriff muss in der Mitte des Sperrholzstücks liegen. Befestigen Sie ihn mit Leim und Holzschrauben, wie gezeigt. Ein kleines Holzstück von 9,5 mm × 8 mm × 50 mm muss immer an das Sperrholz angeleimt werden, um Abstumpfen des Sägeblatts zu verhüten, falls die Bedienungsperson versehentlich in den Schiebeklotz schneidet. (Niemand N Nägel im Schiebeklotz verwenden.)

Hilfsanschlag (Abb. 57)

Fertigen Sie einen Hilfsanschlag aus 9,5 und 19 mm dicken Sperrholzstücken an.

Längssägen

VORSICHT:

- Entfernen Sie zum Längssägen den Gehrungsanschlag vom Tisch.
- Wenn Sie lange oder große Werkstücke sägen, sorgen Sie stets für angemessene Abstützung hinter dem Tisch. Achten Sie darauf, dass sich ein langes Brett NICHT auf dem Tisch bewegt oder verschiebt. Dies führt zu Klemmen des Sägeblatts und erhöht die Wahrscheinlichkeit von Rückschlägen und Verletzungen. Die Stütze sollte die gleiche Höhe wie der Tisch haben.

1. Stellen Sie die Schnitttiefe etwas größer als die Dicke des Werkstücks ein. Nehmen Sie zur Durchführung dieser Einstellung auf den Abschnitt „Einstellen der Schnitttiefe“ Bezug.
 2. Stellen Sie den Parallelanschlag auf die gewünschte Längsschnittbreite ein, und sichern Sie ihn durch Anziehen der Klemmschraube (A). Vergewissern Sie sich vor dem Längssägen, dass die zwei Schrauben am Parallelanschlaghalter angezogen sind. Falls sie locker sind, ziehen Sie sie fest.
 3. Schalten Sie das Werkzeug ein, und schieben Sie das Werkstück entlang dem Parallelanschlag sachte gegen das Sägeblatt.
- (1) Wenn die Längsschnittbreite 150 mm oder mehr beträgt, schieben Sie das Werkstück vorsichtig mit einer Hand vor. Halten Sie das Werkstück mit der anderen Hand gegen den Parallelanschlag gedrückt. **(Abb. 58)**
 - (2) Wenn die Längsschnittbreite 65 mm – 150 mm beträgt, verwenden Sie einen Schiebestock für den Vorschub des Werkstücks. **(Abb. 59)**
 - (3) Wenn die Längsschnittbreite kleiner als 65 mm ist, kann der Schiebestock nicht verwendet werden, weil er mit der Schutzhaube in Berührung kommt. Verwenden Sie einen Hilfsanschlag und einen Schiebeklotz.

Befestigen Sie den Hilfsanschlag mit zwei „C“-Klammern am Parallelanschlag. **(Abb. 60)**

Schieben Sie das Werkstück von Hand vor, bis die Vorderkante etwa 25 mm von der Vorderkante des oberen Tisches entfernt ist. Schieben Sie das Werkstück mit Hilfe des Schiebeklotzes auf der Oberseite des Hilfsanschlags weiter vor, bis der Schnitt vollendet ist. **(Abb. 61)**

Querschnitt

VORSICHT:

- Entfernen Sie für Querschnitte den Parallelanschlag vom Tisch.
- Wenn Sie lange oder große Werkstücke sägen, sorgen Sie stets für angemessene Abstützung auf den Tischseiten. Die Stütze sollte die gleiche Höhe wie der Tisch haben.
- Halten Sie stets Ihre Hände von der Schnittlinie des Sägeblatts fern.

Gehrungsanschlag (Abb. 62)

Verwenden Sie den Gehrungsanschlag für die in der Abbildung gezeigten 4 Schnittarten.

VORSICHT:

- Ziehen Sie den Knopf des Gehrungsanschlags sorgfältig an.
- Vermeiden Sie Kriechen von Werkstück und Anschlag durch eine feste Werkstückeinspannung, insbesondere beim Schneiden im Winkel.
- Halten oder fassen Sie NIEMALS den vorgesehenen „Abschneideteil“ des Werkstücks.

Verwendung des Gehrungsanschlags (Abb. 63)

Schieben Sie den Gehrungsanschlag in die breiten Führungsnuten des Tisches. Lösen Sie den Knopf am Anschlag, und stellen Sie den Anschlag auf den gewünschten Winkel (0° bis 60°) ein. Legen Sie das Material bündig an den Anschlag an, und schieben Sie es sachte in das Sägeblatt vor.

Zwischenbrett (Gehrungsanschlag) (Abb. 64)

Um Flattern eines langen Bretts zu verhüten, bringen Sie ein Zwischenbrett am Gehrungsanschlag an. Befestigen Sie das Zwischenbrett mit Schrauben/Muttern in vorgebohrten Löchern so, dass die Befestigungsteile nicht über das Zwischenbrett überstehen.

Tragen des Werkzeugs (Abb. 65)

Vergewissern Sie sich, dass der Netzstecker abgezogen ist. Wenn das Werkzeug kurz vor dem Gehrungssägenmodus benutzt worden ist, sichern Sie das Sägeblatt im 0°-Neigungswinkel, und drehen Sie den Tisch auf den 0°-Gehrungswinkel. Senken Sie den Handgriff ganz ab, und arretieren Sie ihn in der Tiefstellung, indem Sie den Anschlagstift vollständig hineindrücken.

Halten Sie das Werkzeug zum Tragen an dem in der Abbildung gezeigten Teil. **(Abb. 66)**

VORSICHT:

- Sichern Sie stets alle beweglichen Teile, bevor Sie das Werkzeug tragen.
- Versetzen Sie das Werkzeug vor dem Tragen immer in den Gehrungssägenmodus.
- Vergewissern Sie sich, dass die untere Schutzhaube C am Werkzeug installiert ist.

WARTUNG

VORSICHT:

- Denken Sie vor der Durchführung von Überprüfungen oder Wartungsarbeiten stets daran, das Werkzeug auszuschalten und vom Stromnetz zu trennen.
- Verwenden Sie auf keinen Fall Benzin, Benzol, Verdünnern, Alkohol oder dergleichen. Solche Mittel können Verfärbung, Verformung oder Rissbildung verursachen.

WARNUNG:

- Achten Sie stets darauf, dass das Sägeblatt scharf und sauber ist, um die bestmögliche und sicherste Leistung zu erzielen.

Einstellen des Schnittwinkels

Dieses Werkzeug wurde werksseitig sorgfältig eingestellt und justiert, doch grobe Behandlung kann die Justierung beeinträchtigen. Sollte Ihr Werkzeug einer Nachjustierung bedürfen, gehen Sie folgendermaßen vor:

1. Gehrungswinkel

Die 0°-Gehrungswinkel-Einstellschrauben befinden sich an vier Stellen.

Lösen Sie die vier 0°-Gehrungswinkel-Einstellschrauben auf der Unterseite des Tisches durch Linksdrehen. **(Abb. 67)**

Senken Sie den Handgriff vollständig ab, und sichern Sie ihn in der Tiefstellung, indem Sie den Anschlagstift herausziehen und um 90° im Uhrzeigersinn drehen. Bringen Sie die Seitenfläche des Sägeblatts mit Hilfe eines Einstelldreiecks, Anschlagwinkels usw. in den rechten Winkel mit der Fläche des Gehrungsanschlags. Ziehen Sie dann die vier Einstellschrauben am Hilfsarm auf der Unterseite des Tisches fest an. Vergewissern Sie sich, dass der Zeiger auf 0° auf der Gehrungswinkelskala zeigt. Ist das nicht der Fall, stellen Sie den Zeiger ein, indem Sie die Halteschraube des Zeigers lösen. Ziehen Sie die Schraube nach der Einstellung wieder fest an. **(Abb. 68)**

2. Neigungswinkel

(1) 0°-Neigungswinkel

Senken Sie den Handgriff vollständig ab, und sichern Sie ihn in der Tiefstellung, indem Sie den Anschlagstift herausziehen und um 90° im Uhrzeigersinn drehen. Lösen Sie den Hebel auf der Rückseite des Werkzeugs.

Drehen Sie die 0°-Neigungswinkel-Einstellschraube auf der Unterseite des Tisches rechts vom Hilfsarm um zwei bis drei Umdrehungen entgegen dem Uhrzeigersinn, um das Sägeblatt nach rechts zu neigen. **(Abb. 69)**

Bringen Sie die Seitenfläche des Sägeblatts mit Hilfe eines Einstelldreiecks, Anschlagwinkels usw. in den rechten Winkel mit der Drehteller-Oberfläche, indem Sie die 0°-Neigungswinkel-Einstellschraube im Uhrzeigersinn drehen. **(Abb. 70)**

Vergewissern Sie sich, dass der Zeiger am Drehteller auf 0° der Neigungswinkelskala am Arm zeigt. Falls der Zeiger nicht auf 0° zeigt, lösen Sie die Halteschraube des Zeigers, und stellen Sie den Zeiger so ein, dass er auf 0° zeigt.

(2) 45°-Neigungswinkel

Diese Einstellung kann erst nach erfolgter Einstellung des 0°-Neigungswinkels durchgeführt werden. Zum Einstellen des linksseitigen 45°-Neigungswinkels lösen Sie den Hebel und neigen das Sägeblatt ganz nach links. Vergewissern Sie sich, dass der Zeiger am Arm auf 45° der Neigungswinkelskala am Arm zeigt. Falls der Zeiger nicht auf 45° zeigt, drehen Sie die 45°-Neigungswinkel-Einstellschraube auf der Unterseite des Tisches links vom Hilfsarm, bis der Zeiger auf 45° zeigt. **(Abb. 71)**

Auswechseln der Kohlebürsten (Abb. 72 und 73)

Die Kohlebürsten müssen regelmäßig entfernt und überprüft werden. Wenn sie bis zur Verschleißgrenze abgenutzt sind, müssen sie erneuert werden. Halten Sie die Kohlebürsten stets sauber, damit sie ungehindert in den Haltern gleiten können. Beide Kohlebürsten sollten gleichzeitig erneuert werden. Verwenden Sie nur identische Kohlebürsten.

Drehen Sie die Bürstenhalterkappen mit einem Schraubendreher heraus. Nehmen Sie die abgenutzten Kohlebürsten heraus, setzen Sie die neuen ein, und drehen Sie dann die Bürstenhalterkappen wieder ein.

Nach der Benutzung

- Wischen Sie nach der Benutzung am Werkzeug haftende Späne und Staub mit einem Tuch oder dergleichen ab, um maximale Lebensdauer zu gewährleisten. Halten Sie die Schutzhauben gemäß den Anweisungen im vorhergehenden Abschnitt „Schutzhaube“ sauber. Schmieren Sie die Gleitteile mit Maschinenöl, um Rostbildung zu verhüten.

Um die SICHERHEIT und ZUVERLÄSSIGKEIT dieses Produkts zu gewährleisten, sollten Reparaturen und andere Wartungs- oder Einstellarbeiten nur von autorisierten Makita-Kundendienstzentren unter ausschließlicher Verwendung von Makita-Originalersatzteilen ausgeführt werden.

SONDERZUBEHÖR

VORSICHT:

- Die folgenden Zubehörteile oder Vorrichtungen werden für den Einsatz mit der in dieser Anleitung beschriebenen Makita-Maschine empfohlen. Die Verwendung anderer Zubehörteile oder Vorrichtungen kann eine Verletzungsgefahr darstellen. Verwenden Sie Zubehörteile oder Vorrichtungen nur für ihren vorgesehenen Zweck.

Wenn Sie weitere Einzelheiten bezüglich dieser Zubehörteile benötigen, wenden Sie sich bitte an Ihre Makita-Kundendienststelle.

- Stahl- und hartmetallbestückte Sägeblätter
- Vertikal-Schraubstock
- Inbusschlüssel 6
- Staubsack
- Einstelldreieck
- Staubabdeckung (untere Schutzhaube C)
- Schiebestock
- Linealeinheit (Parallelanschlag)
- Gehrungsanschlag
- Sicherungsglasche (3 Stück)
- Sechskantschraube (3 Stück)
- Kniestück
- Obere Abdeckungseinheit (obere Schutzhaube)

HINWEIS:

- Manche Teile in der Liste können als Standardzubehör im Werkzeugsatz enthalten sein. Sie können von Land zu Land unterschiedlich sein.

ENG905-1

Geräusch

Typischer A-bewerteter Geräuschpegel ermittelt gemäß EN61029:

Schalldruckpegel (L_{pA}): 91 dB (A)

Schalleistungspegel (L_{WA}): 108 dB (A)

Ungewissheit (K): 3 dB (A)

Gehörschutz tragen

ENG900-1

Vibration

Vibrationsgesamtwerk (Drei-Achsen-Vektorsumme) ermittelt gemäß EN61029:

Vibrationsemission (a_{Hh}): 2,5 m/s² oder weniger

Ungewissheit (K): 1,5 m/s²

ENG901-1

- Der angegebene Vibrationsemissionswert wurde im Einklang mit der Standardprüfmethode gemessen und kann für den Vergleich zwischen Maschinen herangezogen werden.
- Der angegebene Vibrationsemissionswert kann auch für eine Vorbewertung des Gefährdungsgrads verwendet werden.

WARNUNG:

- Die Vibrationsemission während der tatsächlichen Benutzung des Elektrowerkzeugs kann je nach der Benutzungsweise der Maschine vom angegebenen Emissionswert abweichen.
- Identifizieren Sie Sicherheitsmaßnahmen zum Schutz des Benutzers anhand einer Schätzung des Gefährdungsgrads unter den tatsächlichen Benutzungsbedingungen (unter Berücksichtigung aller Phasen des Arbeitszyklus, wie z. B. Ausschalt- und Leerlaufzeiten der Maschine zusätzlich zur Betriebszeit).

Nur für europäische Länder

EG-Übereinstimmungserklärung

Makita erklärt, dass die folgende(n) Maschine(n):

Bezeichnung der Maschine:

Tisch-, Kapp- und Gehrungssäge

Modell-Nr./ Typ: LF1000

den folgenden europäischen Richtlinien entsprechen:

2006/42/EG

gemäß den folgenden Standards oder standardisierten Dokumenten hergestellt werden:

EN61029

Die technische Akte in Übereinstimmung mit 2006/42/EG ist erhältlich von:

Makita, Jan-Baptist Vinkstraat 2, 3070, Belgien

30.10.2014



Yasushi Fukaya
Direktor

Makita, Jan-Baptist Vinkstraat 2, 3070, Belgien

Visione generale

1 Dado di regolazione	31 Supporto chiave	66 Braccio morsa
2 Piedino	32 Gancio	67 Asta morsa
3 Piastra di fissaggio	33 Piedino	68 Manopola morsa
4 Bullone esagonale	34 Gancio di fermo	69 Testa sega bloccata nella posizione completamente abbassata
5 Scanalature a forma di U	35 Bullone a esagono incassato	70 Area leva dove mettere la mano/dito
6 Protezione inferiore A lama	36 Blocco albero	71 Parti di aggancio
7 Protezione inferiore B lama	37 Leva di sollevamento	72 Morsa (accessorio)
8 Protezione inferiore C lama (usata soltanto nella modalità di sega circolare)	38 Lama	73 Blocco distanziatore
9 Pulsante	39 Scatola lama	74 Guida pezzo
10 Coltello divisore	40 Freccia	75 Estrusione in alluminio
11 Protezione superiore lama (usata nella modalità di sega da banco)	41 Flangia esterna	76 Parallelo faccia/bordo
12 Superficie superiore della base girevole	42 Flangia interna	77 Vite per legno
13 Periferia lama	43 Mandrino	78 Guida insieme
14 Guida laterale	44 Anello	79 Bacchetta di spinta
15 Fermo fine corsa inferiore	45 Dado di serraggio	80 Guida ausiliaria
16 Dado	46 Larghezza lama	81 Blocco di spinta
17 Bullone di registro	47 Supporto guida pezzo	82 Taglio incrociato
18 Vite di serraggio	48 Rotaia guida	83 Ugnatura
19 Manico	49 Vite di serraggio (A)	84 Taglio a sbieco
20 Tavola girevole	50 Vite di serraggio (B)	85 Ugnatura mista (angoli)
21 Leva	51 Guida pezzo	86 Manopola
22 Manopola di regolazione profondità di taglio	52 Linea da allineare con: Linea (A)	87 Parte utensile da tenere per il trasporto
23 Interruttore nella modalità di sega circolare	53 Tavola superiore	88 Righello triangolare
24 Interruttore nella modalità di sega da banco	54 Pezzo	89 Bullone di regolazione 0°
25 Bottone di sblocco	55 Dado quadro	90 Bullone di regolazione 45°
26 Interruttore a grilletto	56 Scala	91 Superficie superiore del tavolo girevole
27 Tasto ON	57 Vite di regolazione	92 Braccio
28 Tasto OFF	58 Protezione superiore lama	93 Scala falsa
29 Perno di fermo	59 Guida dispositivo graduato angolatore antiscorrimento	94 Indice
30 Chiave esagonale	60 Dispositivo graduato angolatore antiscorrimento	95 Segno di limite
	61 Scanalature	96 Tappo portaspazzole
	62 Bocchettone polvere	97 Cacciavite
	63 Sacchetto polvere	
	64 Chiusura	
	65 Gomito	

DATI TECNICI

Modello	LF1000
Diametro lama.....	260 mm
Spessore corpo lama.....	1,8 mm – 2,0 mm
Spessore del coltello divisore.....	2,2 mm
Foro diametro.....	
Per i Paesi europei.....	30 mm
Capacità di taglio max. (Alt. x Largh.) con lama di 260 mm di diametro nella modalità di sega circolare	

Angolo di smusso	Angolo di taglio obliquo
	0°
0°	20 mm x 180 mm 68 mm x 155 mm
45° (sinistra)	50 mm x 150 mm

Capacità di taglio max. a 90° nella modalità di sega da banco.....	70 mm
Velocità a vuoto (min ⁻¹).....	2.700
Dimensioni tavola girevole (Largh. x Lungh.).....	500 mm x 555 mm
Dimensioni (Lungh. x Largh. x Alt. 1 (nota 1) / Alt. 2 (nota 2)) nella modalità di sega circolare.....	660 mm x 650 mm x 1.220 mm / 800 mm
nella modalità di sega da banco.....	660 mm x 650 mm x 1.060 mm / 845 mm
Peso netto.....	36 kg
Classe di sicurezza.....	II

(Nota 1) Alt.1: Altezza fino alla testa utensile
(Nota 2) Alt. 2: Altezza fino alla tavola girevole

- Per il nostro programma di ricerca e sviluppo continui, i dati tecnici sono soggetti a modifiche senza preavviso.
- I dati tecnici potrebbero differire a seconda del paese di destinazione del modello.
- Peso in base alla procedura EPTA 01/2003

Utilizzo prefissato

ENE061-1

Questo utensile è progettato per il taglio preciso diritto e obliquo nel legno. Esso può essere usato sia nella modalità di sega circolare sia nella modalità di sega da banco capovolgendo la tavola intorno al suo asse.

ENF002-2

Alimentazione

L'utensile deve essere collegato ad una presa di corrente con la stessa tensione indicata sulla targhetta del nome, e può funzionare soltanto con la corrente alternata monofase. Esso ha un doppio isolamento, per cui può essere usato con le prese di corrente sprovviste della messa a terra.

Avvertimenti generali per la sicurezza dell'utensile elettrico

GEA010-1

⚠ AVVERTIMENTO Leggere tutti gli avvertimenti per la sicurezza e le istruzioni. La mancata osservanza degli avvertimenti e delle istruzioni può causare scosse elettriche, incendio e/o gravi incidenti.

Conservare tutti gli avvertimenti e le istruzioni per riferimenti futuri.

ENB094-6

AVVERTIMENTI DI SICUREZZA PER LA SEGA COMBINATA

PER ENTRAMBE LE MODALITÀ DI SEGA CIRCOLARE E DI SEGA DA BANCO:

1. Controllare con cura che la sega non presenti crepe o deformazioni prima del lavoro. Sostituire immediatamente la sega se è danneggiata.
2. La sega non deve essere fatta funzionare senza le protezioni e il coltello divisore in posizione, soprattutto dopo un cambiamento di modalità d'utilizzo. Controllare che le protezioni lama siano chiuse correttamente prima di ogni utilizzo. Non adoperare la sega se le protezioni lama non si muovono liberamente e non si chiudono istantaneamente. Non si devono mai bloccare o legare le protezioni lama in posizione di apertura. Qualsiasi funzionamento irregolare delle protezioni lama deve essere corretto immediatamente.
3. Usare soltanto le lame specificate dal produttore e conformi EN847-1. La larghezza del solco del taglio deve essere maggiore di quella del coltello divisore, e il corpo della lama più sottile del coltello divisore.
4. Non si devono usare lame d'acciaio ad alta velocità.
5. Portare gli occhiali di protezione.
6. Indossare la protezione delle orecchie, per ridurre il rischio della perdita dell'udito.

7. Indossare guanti adatti a maneggiare lame e oggetti ruvidi (ove possibile, le lame devono essere trasportate nell'apposita custodia).
8. Collegare l'utensile a un dispositivo di raccolta della polvere durante il taglio.
9. Riporre sempre la bacchetta di spinta quando non viene usata.
10. Tenere l'area del pavimento intorno all'utensile piana, ben mantenuta e libera da materiali quali i trucioli e i ritagli.
11. L'operatore deve essere sufficientemente addestrato nell'utilizzo, regolazione e funzionamento dell'utensile.
12. Arrestare e staccare la sega dalla presa di corrente quando viene lasciata incustodita.
13. Per ridurre il rumore emesso, controllare sempre che la lama sia affilata e pulita.
14. Usare soltanto le lame marcate per una velocità massima uguale o più alta della velocità senza carico marcata sull'utensile.
15. Non si devono mai togliere dall'area di taglio i ritagli o altre parti del pezzo mentre l'utensile sta funzionando con la lama non protetta.
16. L'utensile non deve essere usato per fare sfinestature, scanalature o cave.
17. Pulire e fare attenzione a non danneggiare il mandrino, le flange (soprattutto la superficie di installazione) e il bullone di fissaggio prima o quando si installa la lama. Se queste parti sono danneggiate, la lama potrebbe rompersi. La cattiva installazione potrebbe causare vibrazioni/ondulamenti o lo slittamento della lama. Usare soltanto le flange specificate per questo utensile.
18. Usare sempre gli accessori raccomandati in questo manuale. L'utilizzo di accessori sbagliati, come i dischi abrasivi, potrebbe causare lesioni.
19. Selezionare la lama corretta per il materiale da tagliare.
20. Non si devono tagliare oggetti metallici, come chiodi e viti. Ispezionare e rimuovere tutti i chiodi, viti e altri materiali estranei dal pezzo prima del lavoro.
21. Appiattire i nodi sporgenti dal pezzo PRIMA di cominciare a tagliare.
22. L'utensile non deve essere usato in presenza di liquidi o gas infiammabili.
23. Per la propria sicurezza, rimuovere i trucioli, frammenti, ecc., dall'area di lavoro e dalla superficie superiore della tavola girevole prima di cominciare il lavoro.
24. Tenere le mani, chi è vicino e sé stessi fuori dal percorso e non in linea con la lama. Evitare il contatto con la lama che si muove per forza d'inerzia. Essa può ancora causare lesioni gravi, e non si devono allungare le mani oltre la lama.
25. Stare sempre attenta, specialmente durante le operazioni ripetitive e monotone. Non abbandonarsi ad un falso senso di sicurezza. Le lame non perdonano.
26. Accertarsi che il blocco dell'albero sia rilasciato prima di accendere l'utensile.

27. Prima di usare l'utensile sul pezzo, lasciarlo girare per un po'. Controllare se ci sono vibrazioni od ondulamenti che potrebbero indicare una lama installata male o scarsamente bilanciata.
28. Aspettare finché la lama ha raggiunto la massima velocità prima di tagliare.
29. Non si devono rimuovere i ritagli od altre parti del pezzo dall'area di taglio mentre l'utensile sta funzionando e la testa della sega non è in posizione di riposo.
30. Fermare immediatamente l'utensile se si nota qualcosa di anormale.
31. Spegnerne l'utensile e aspettare che la lama si fermi prima di muovere il pezzo o di cambiare le regolazioni.
32. Staccare l'utensile dalla presa di corrente prima di cambiare la lama, prima della manutenzione o quando non viene usato.
33. Certe polveri prodotte durante il lavoro potrebbero contenere sostanze chimiche che causano il cancro, difetti di nascita od altri danni all'apparato generativo. Alcuni esempi di queste sostanze chimiche sono:

- piombo da materiali con vernici a base di piombo, e
- arsenico e cromo da legname trattato chimicamente.

Il rischio a queste esposizioni varia secondo la frequenza di questo tipo di lavoro. Per ridurre l'esposizione a queste sostanze chimiche: lavorare in un'area ben ventilata usando l'equipaggiamento di sicurezza raccomandato, come le maschere antipolvere progettate appositamente per filtrare le particelle microscopiche.

34. Accertarsi che la tavola sia fissata saldamente con la leva dopo averla capovolta.

USANDO L'UTENSILE NELLA MODALITÀ DI SEGA CIRCOLARE:

35. Non usare la sega per tagliare materiali diversi dal legno, alluminio o simili.
36. Non eseguire alcuna operazione senza tenere saldamente l'utensile. Il pezzo deve essere fissato saldamente contro la tavola girevole e la guida pezzo con la morsa durante tutte le operazioni. Non si deve mai fissare il pezzo con la mano.
37. Accertarsi che l'utensile sia stabile prima di ciascun taglio.
38. Supportare i pezzi lunghi con supporti addizionali appropriati.
39. Non si devono mai tagliare i pezzi piccoli che non possono essere tenuti saldamente dalla morsa. I pezzi che non sono tenuti correttamente potrebbero causare contraccolpi e seri incidenti.
40. Accertarsi che la tavola girevole sia fissata correttamente in modo che non si muova durante il lavoro.
41. Accertarsi che il braccio sia fissato saldamente durante la smussatura. Stringere la leva in senso orario per fissare il braccio.
42. Accertarsi che la lama non faccia contatto con la tavola girevole nella posizione più bassa, e che non faccia contatto con il pezzo prima dell'accensione dell'utensile.
43. Tenere saldamente il manico. Tenere presente che la sega si sposta leggermente su o giù durante l'avviamento e l'arresto.

USANDO L'UTENSILE NELLA MODALITÀ DI SEGA DA BANCO:

44. Non eseguire alcuna operazione a mano libera. A mano libera significa usando le mani per supportare o guidare il pezzo, al posto della guida pezzo.
45. Accertarsi che la tavola girevole sia fissata saldamente.
46. Accertarsi che il braccio sia fissato saldamente in posizione di lavoro. Stringere la leva in senso orario per fissare il braccio.
47. Usare la bacchetta di spinta o un blocco di spinta per evitare di lavorare con le mani e le dita vicine alla lama.
48. Accertarsi che la lama non faccia contatto con il coltello divisore o con il pezzo prima dell'accensione dell'utensile.
49. Prestare una particolare attenzione alle istruzioni per ridurre il rischio di CONTRACCOLPI. I CONTRACCOLPI sono l'improvvisa reazione alla lama incastrata, bloccata o disallineata. I CONTRACCOLPI causano l'espulsione del pezzo dall'utensile indietro verso l'operatore. I CONTRACCOLPI POSSONO CAUSARE GRAVI LESIONI PERSONALI. Evitare i CONTRACCOLPI mantenendo la lama affilata, la guida pezzo parallela alla lama, il coltello divisore e la protezione lama in posizione e funzionanti correttamente, non rilasciando il pezzo finché non è stato spinto completamente oltre la lama, e non tagliando diritto un pezzo storto, ondulato o che non ha un bordo diritto per essere guidato lungo la guida.
50. Evitare l'avanzamento del pezzo improvviso e veloce. Fare avanzare il pezzo quanto più lentamente possibile quando si tagliano pezzi duri. Non piegare o torcere il pezzo mentre avanza. Se la lama si impianta o inceppa nel pezzo, spegnere immediatamente l'utensile. Staccare l'utensile dalla presa di corrente. Correggere poi l'inceppamento.
51. Prima di capovolgere l'utensile, accertarsi sempre che il perno di fermo abbia bloccato saldamente la testa dell'utensile nella posizione più bassa.

CONSERVARE QUESTE ISTRUZIONI.

⚠ AVVERTIMENTO:

NON lasciare che la comodità d'utilizzo o la familiarità con il prodotto (acquisita con l'uso ripetuto) sostituisca la stretta osservanza delle norme per la sua sicurezza. L'utilizzo SBAGLIATO o la mancata osservanza delle norme di sicurezza di questo manuale di istruzioni potrebbero causare lesioni serie.

INSTALLAZIONE

ATTENZIONE:

- Tenere l'area del pavimento intorno all'utensile piana, ben mantenuta e libera da materiali quali i trucioli e i ritagli.

Montaggio sul banco (Figg. 1, 2 e 3)

Con i piedini completamente estesi, montare come una tavola alta

Se non è possibile stabilizzare l'utensile, girare il dado di regolazione sul piedino dell'utensile in modo da ottenere la stabilità corretta. Girare in senso antiorario guardando dall'alto per rendere il piedino più corto, e in senso orario guardando dall'alto per renderlo più lungo. Dopo la regolazione, accertarsi che l'utensile sia stabile.

Installare le piastre di fissaggio, con le loro estremità ad angolo rivolte verso l'esterno, su tre piedini dell'utensile con i bulloni esagonali. Fissare con tre bulloni l'utensile a una superficie stabile e piana usando i fori dei bulloni situati nelle piastre di fissaggio.

Con i piedini ripiegati, montare come una tavola bassa

Quando l'utensile è pronto nella posizione con i piedini ripiegati, fissarlo usando le scanalature a forma di U mostrate in figura.

DESCRIZIONE FUNZIONALE

ATTENZIONE:

- Accertarsi sempre che l'utensile sia spento e staccato dalla presa di corrente prima di regolarlo o di controllare il suo funzionamento.

Protezione lama (Figg. 4, 5 e 6)

ATTENZIONE:

- Accertarsi che il manico non possa essere abbassato senza spingere a sinistra la leva vicina al manico.
- Accertarsi che la protezione inferiore A lama non si apra se la leva vicina al manico non viene spinta sulla posizione più alta del manico.
- Accertarsi che la protezione inferiore C lama sia installata prima di usare l'utensile nella modalità di sega circolare.

Quando si abbassa il manico spingendo la leva a sinistra, la protezione inferiore A lama si solleva automaticamente. La protezione inferiore B lama si solleva quando fa contatto con il pezzo. Le protezioni inferiori lama sono azionate da molle, per cui tornano nelle loro posizioni originali quando si completa il taglio e si solleva il manico. La protezione superiore lama cade piatta sulla superficie della tavola girevole dopo che il pezzo è passato sotto di essa. **NON SI DEVONO MAI RENDERE INUTILIZZABILI O RIMUOVERE LE PROTEZIONI INFERIORI LAMA, LE MOLLE ATTACcate ALLE PROTEZIONI INFERIORI LAMA O LA PROTEZIONE SUPERIORE LAMA, eccetto per quanto notato sotto.**

Per la propria sicurezza personale, mantenere sempre ciascuna protezione lama in buone condizioni. Qualsiasi funzionamento irregolare delle protezioni deve essere corretto immediatamente. Accertarsi che le molle azionate facciano tornare in posizione le protezioni inferiori lama. **NON SI DEVE MAI USARE L'UTENSILE SE LE PROTEZIONI INFERIORI LAMA, LE MOLLE O LA PROTEZIONE SUPERIORE LAMA SONO DANNEGGIATE, DIFETTOSE O SONO STATE RIMOSSE, eccetto per quanto notato sotto. CIÒ È MOLTO PERICOLOSO E PUÒ CAUSARE GRAVI LESIONI PERSONALI.**

NOTA:

- Per la rimozione delle protezioni ci sono le eccezioni seguenti. La protezione inferiore C lama va rimossa soltanto quando si usa l'utensile nella modalità di sega da banco. La protezione superiore lama va rimossa soltanto quando si usa l'utensile nella modalità di sega circolare.

Se una qualsiasi di queste protezioni trasparenti diventa sporca, oppure se la segatura attaccata rende invisibile la lama, staccare l'utensile dalla presa di corrente e pulire con cura le protezioni con un panno bagnato. Non usare solventi o pulitori a base di petrolio sulle protezioni di plastica.

Se la protezione inferiore A lama è particolarmente sporca e la visione attraverso di essa è ostacolata, procedere come segue. Sollevare completamente il manico. Rimuovere la lama (riferirsi alla sezione "Installazione o rimozione della lama"). Sollevare la protezione inferiore A lama spingendo la leva a sinistra. Con la protezione inferiore A lama in questa posizione, la pulizia può essere eseguita più completamente ed efficientemente. Al completamento della pulizia, invertire la procedura sopra e fissare il bullone.

Allo stesso modo come per la protezione superiore lama descritto sopra, spingere dentro sulla parte superiore della superficie il bottone sul davanti e rimuovere la protezione superiore lama. Dopo la pulizia, reinstallarla sempre saldamente.

Se una di queste protezioni lama si scolorisce con il tempo o per l'esposizione ai raggi ultravioletti, rivolgersi ad un Centro di assistenza Makita per una nuova protezione. **NON RENDERE INUTILIZZABILI O RIMUOVERE LE PROTEZIONI.**

Per mantenere la massima capacità di taglio (Fig. 7)

Questo utensile è stato regolato in fabbrica in modo da fornire la massima capacità di taglio con le lame di 260 mm.

Installando una nuova lama, controllare sempre la posizione del fine corsa inferiore della lama e, se necessario, regolarla come segue:

ATTENZIONE:

- Per fare questa regolazione, staccare l'utensile dalla presa di corrente.

Staccare per prima cosa l'utensile dalla presa di corrente. Abbassare completamente il manico. Usare la chiave per girare il bullone di regolazione finché la periferia della lama sporge leggermente sotto la superficie superiore della tavola girevole sul punto in cui la faccia anteriore della guida laterale incontra la superficie superiore della tavola girevole.

Con l'utensile staccato dalla presa di corrente, girare a mano la lama tenendo il manico completamente abbassato, per accertarsi che la lama non faccia contatto con una qualsiasi parte della base inferiore. Regolare di nuovo leggermente, se necessario.

ATTENZIONE:

- Dopo l'installazione di una nuova lama, accertarsi sempre che essa non faccia contatto con una qualsiasi parte della base inferiore quando il manico è abbassato completamente. Fare sempre ciò con l'utensile staccato dalla presa di corrente.

Questo utensile può essere usato con o senza il fine corsa inferiore spostando il fermo fine corsa inferiore come mostrato in figura. (Fig. 8)

Per usare l'utensile senza il fine corsa inferiore, girare in senso antiorario la fine del fermo. L'utilizzo in questa posizione è adatto per il taglio dei pezzi larghi e sottili.

Per usare l'utensile con il fine corsa inferiore, spostare in senso orario la fine del fermo. L'utilizzo in questa posizione è adatto per il taglio dei pezzi spessi.

Regolazione dell'angolo di taglio obliquo (Figg. 9 e 10)

Allentare la vite di serraggio sulla guida laterale girandola in senso antiorario. Girare a mano la tavola girevole. Dopo aver spostato il manico sulla posizione in cui l'indice indica l'angolo desiderato sulla scala zoppa, stringere saldamente la vite di serraggio in senso orario.

ATTENZIONE:

- Girando la tavola girevole, sollevare completamente il manico.
- Dopo aver cambiato l'angolo di taglio obliquo, fissare sempre la tavola girevole stringendo saldamente la vite di serraggio.

Regolazione dell'angolo di smusso (Figg. 11 e 12)

Nella modalità di sega circolare

Per regolare l'angolo di smusso, allentare in senso antiorario la leva sulla parte posteriore dell'utensile.

Spingere il manico a sinistra per inclinare la lama finché l'indice indica l'angolo desiderato sulla squadra falsa. Stringere poi saldamente la leva in senso orario per fissare il braccio.

ATTENZIONE:

- Quando si inclina la lama, sollevare completamente il manico.
- Dopo aver cambiato l'angolo di smusso, fissare sempre il braccio stringendo la leva in senso orario.

Nella modalità di sega da banco (Fig. 13)

Per regolare l'angolo di smusso, allentare in senso antiorario la leva sotto la tavola girevole sulla parte anteriore dell'utensile.

Spostare la manopola di regolazione profondità a sinistra per inclinare la lama finché l'indice indica l'angolo desiderato sulla scala falsa. Stringere poi saldamente la leva in senso orario per fissare il braccio.

Funzionamento dell'interruttore (Fig. 14)

Interruttore per la modalità di sega circolare

ATTENZIONE:

- Prima di collegare l'utensile alla presa di corrente, controllare sempre che la leva interruttore funzioni correttamente e che torni sulla posizione "OFF" quando viene rilasciato.
- Quando non si usa l'utensile, rimuovere il bottone di sblocco e conservarlo in un posto sicuro. Ciò impedisce l'uso non autorizzato.
- Non schiacciare con forza la leva senza premere dentro il bottone di sblocco. Ciò causa la rottura dell'interruttore.

L'utensile è dotato di un bottone di sblocco, per evitare che la leva venga schiacciata accidentalmente. Per avviare l'utensile, spingere a sinistra la leva di blocco, premere dentro il bottone di sblocco e schiacciare poi la leva. Rilasciare la leva per fermarlo.

Interruttore per la modalità di sega da banco

ATTENZIONE:

- Prima di cominciare, controllare se l'utensile è acceso o spento.

Per avviare l'utensile, premere il tasto ON (I). Per fermarlo, premere il tasto OFF (O).

Regolazione della profondità di taglio (Fig. 15)

La profondità di taglio può essere regolata girando la manopola di regolazione profondità di taglio. Girare la manopola di regolazione profondità di taglio in senso orario per sollevare la lama, o in senso antiorario per abbassarla.

AVVERTIMENTO:

- Usare una profondità di taglio poco profonda per tagliare i materiali sottili, in modo da ottenere un taglio più pulito.

ATTENZIONE:

- Il perno di fermo non può essere girato con la testa dell'utensile completamente abbassata. A questo punto, girare la manopola leggermente in senso antiorario per poter rilasciare il perno di fermo. (Fig. 16)

Protezione dal sovraccarico

- Soltanto per gli utensili con una alimentazione di 200 V o superiore. Per la tensione nominale, vedere la targhetta del nome sull'utensile.
- Quando il carico sull'utensile supera i livelli permessibili, la corrente al motore si riduce per proteggerlo dal sovraccarico. Quando il carico torna ai livelli permessibili, l'utensile funziona nel modo normale.

MONTAGGIO

ATTENZIONE:

- Accertarsi sempre che l'utensile sia spento e staccato dalla presa di corrente prima di qualsiasi intervento su di esso.

Conservazione della chiave esagonale (Fig. 17)

La chiave esagonale va conservata come mostrato in figura. Per usare la chiave esagonale, tirarla fuori dal supporto chiave. Dopo aver usato la chiave esagonale, rimetterla sul supporto chiave.

Impostazione a due vie dell'altezza tavola girevole

L'altezza della tavola girevole può essere impostata in due modi: tavola alta o bassa.

AVVERTIMENTO:

- Prima di ribaltare l'utensile all'indietro, disporlo sempre nella modalità di sega circolare e bloccare la testa utensile nella posizione più bassa.

1. Impostazione della tavola alta (Fig. 18)

Per impostare l'utensile con la tavola alta, procedere come segue.

- (1) Ribaltare con cura l'utensile all'INDIETRO tenendolo con entrambe le mani.
- (2) Girare il gancio nella direzione della freccia in figura per liberare i piedini. Aprire i piedini della tavola su un lato e spingere la barra inferiore dei piedini completamente in avanti in modo che si bloccino da soli. Seguire la stessa procedura per i piedini sul lato opposto. Accertarsi che i piedini su entrambi i lati siano completamente bloccati.

AVVERTIMENTO:

- Accertarsi che i ganci di fermo siano perfettamente posizionati nella scanalatura della staffa.

(3) Raddrizzare l'utensile.

2. Impostazione della tavola bassa (Fig. 19)

I piedini possono essere ripiegati come mostrato in figura. Per ripiegare l'utensile, procedere come segue.

- (1) Ribaltare con cura l'utensile all'INDIETRO tenendolo con entrambe le mani.
- (2) Tirare prima su verso di sé il fermo sul giunto del piedino sinistro per sbloccarlo.
- (3) Procedere allo stesso modo come sopra per il piedino opposto.
- (4) Usare un gancio per legare questi piedini.
- (5) Raddrizzare l'utensile.

Installazione o rimozione della lama

ATTENZIONE:

- Accertarsi sempre che l'utensile sia spento e staccato dalla presa di corrente prima di installare o rimuovere la lama.
- Per l'installazione o la rimozione della lama, usare soltanto la chiave esagonale Makita in dotazione. In caso contrario, si potrebbe causare un serraggio eccessivo o insufficiente del bullone a esagono incassato. Ciò potrebbe causare lesioni.

Spostare su il manico nella posizione completamente rialzata.

Premere il blocco albero per bloccare il mandrino, e usare la chiave esagonale per allentare in senso orario il bullone a esagono incassato. (Fig. 20)

Solleverare la protezione A lama con la sua leva di sollevamento spingendo allo stesso tempo a sinistra la leva vicina al manico. Con la protezione A lama sollevata, rimuovere il bullone a esagono incassato, la flangia esterna e la lama. (Fig. 21)

Per installare la lama, montarla con cura sul mandrino accertandosi che la direzione della freccia sulla superficie della lama corrisponda alla direzione della freccia sulla scatola della lama. Installare la flangia esterna e il bullone a esagono incassato, e usare poi la chiave a busola per stringere saldamente in senso antiorario il bullone a esagono incassato (sinistrorso) premendo allo stesso tempo il blocco albero. (Figg. 22 e 23)

NOTA:

- Per installare la lama, inserirla prima tra la protezione B lama e sollevarla poi in modo che si trovi infine sistemata nella protezione B lama.

ATTENZIONE:

- L'anello con il diametro esterno di 25,4 mm o di 30 mm viene installato in fabbrica sul mandrino. Prima di montare la lama sul mandrino, accertarsi sempre che sul mandrino sia installato l'anello corretto per il foro dell'asse della lama che si intende usare. (Fig. 24)

Rimettere la protezione inferiore A lama sulla sua posizione originale. Abbassare il manico e accertarsi che le protezioni inferiori lama si muovano correttamente. Accertarsi che il blocco albero abbia rilasciato il mandrino prima di eseguire il taglio.

Regolazione del coltello divisore

Ci deve essere un gioco di 5 – 6 mm tra il coltello divisore e i denti della lama quando si spinge il coltello divisore completamente verso la lama. Regolare il coltello divisore in modo corrispondente allentando prima a mano in senso antiorario il dado di serraggio e allentando poi il bullone a esagono incassato con la chiave esagonale, e misurare il gioco. Dopo la regolazione, stringere saldamente in senso orario il bullone a esagono incassato e poi il dado di serraggio. Controllare sempre che il coltello divisore sia fissato e che la protezione superiore lama si muova scorrevolmente prima del taglio. (Figg. 25 e 26)

Il coltello divisore è stato installato prima della spedizione dalla fabbrica in modo che la lama e il coltello divisore siano in una linea dritta dopo la semplice impostazione da parte dell'operatore. Per l'impostazione, riferirsi alla sezione "Riposizionamento del coltello divisore". (Fig. 27)

ATTENZIONE:

- Se la lama e il coltello divisore non sono allineati correttamente, durante il lavoro si potrebbe verificare una pericolosa condizione di bloccaggio della lama nel pezzo. Accertarsi che il coltello divisore sia posizionato tra entrambe le estremità esterne dei denti della lama guardando dall'alto. Se si usa l'utensile con il coltello divisore non allineato correttamente, c'è pericolo di serie lesioni personali. Se per un qualche motivo essi non sono allineati correttamente, rivolgersi a un Centro di assistenza Makita per la riparazione.
- Quando si regola il gioco del coltello divisore dai denti della lama, allentare sempre il bullone a esagono incassato soltanto dopo aver allentato il dado di serraggio.

Installazione e regolazione della guida pezzo (Fig. 28)

1. Installare la guida pezzo sulla tavola in modo che il supporto guida pezzo si agganci alla rotaia guida. Stringere saldamente in senso orario la vite di serraggio (B) della guida pezzo.
2. Allentare la vite di serraggio (A).
3. Spingere la guida pezzo e fissarla in modo che la sua estremità più lontana sia allineata con il punto dove il bordo anteriore della lama appare appena dalla superficie superiore del pezzo. Questa regolazione ha lo scopo di ridurre il rischio di contraccolpi verso l'operatore quando il pezzo tagliato viene stretto tra la lama e la guida pezzo e spinto infine fuori verso l'operatore. La linea (A) varia secondo lo spessore del pezzo o il livello della tavola. Regolare la posizione della guida pezzo secondo lo spessore del pezzo.
Dopo la regolazione della guida pezzo, stringere saldamente la vite di serraggio (A). (Fig. 29)

NOTE:

- Ci sono quattro forme di posizionamento della guida pezzo, come mostrato in figura. La guida pezzo ha due fessure sui suoi lati, una con una frangia sporgente vicina sullo stesso lato, e l'altra senza. Usare la superficie della guida pezzo con questa frangia rivolta verso il pezzo soltanto per tagliare i pezzi sottili.
- Per cambiare la forma di posizionamento della guida pezzo, rimuovere la guida pezzo dal supporto guida pezzo allentando la vite di serraggio (A) e cambiare la faccia della guida pezzo rivolta verso il supporto guida pezzo in modo che la guida pezzo sia rivolta verso il supporto guida pezzo secondo il lavoro, come mostrato in figura.
Inserire il dado quadro del supporto guida pezzo nella estremità posteriore di una delle fessure della guida pezzo, in modo che siano montati come mostrato in figura.

Per cambiare la forma A o B nella forma C o D, o in modo opposto, rimuovere il dado quadro e la vite di serraggio (A) dal supporto guida pezzo e posizionare poi la vite di serraggio (A) e il dado quadro sul lato opposto del supporto guida pezzo rispetto alla posizione originale. Stringere saldamente la vite di serraggio (A) dopo aver inserito il dado quadro del supporto guida pezzo nella fessura della guida pezzo.

Inserire il dado quadro del supporto guida pezzo nella estremità posteriore di una delle fessure del supporto guida pezzo in modo che siano montati come mostrato in figura. (Figg. 30 e 31)

La guida pezzo è stata regolata in fabbrica in modo da essere parallela alla superficie della lama. Accertarsi che sia parallela. Per accertarsi che la guida pezzo sia parallela alla lama, regolare l'altezza della lama con la manopola di regolazione profondità di taglio in modo che la lama appaia sulla posizione più alta dalla tavola girevole. Segnare uno dei denti della lama con una matita. Misurare la distanza (A) e (B) tra la guida pezzo e la lama. Fare entrambe le misurazioni usando il dente segnato con la matita. Le due misurazioni devono essere identiche. Se la guida pezzo non è parallela alla lama, procedere come segue: (Figg. 32 e 33)

- (1) Girare la vite di regolazione in senso antiorario.
- (2) Spostare leggermente a destra o a sinistra il bordo anteriore della guida pezzo finché diventa parallelo alla lama.
- (3) Stringere saldamente la vite di regolazione sulla guida pezzo.

ATTENZIONE:

- Regolare la guida pezzo in modo che sia parallela alla lama, perché altrimenti si potrebbero verificare dei pericolosi contraccolpi.
- Regolare la guida pezzo in modo che non faccia contatto con la protezione superiore lama o con la lama. (Fig. 34)
- Non cambiare di posto o trasportare l'utensile tenendolo per la guida pezzo.
- Se si solleva la guida pezzo installata o si esercita forza su di essa a destra e a sinistra afferrando con la mano la sua estremità superiore, si potrebbe danneggiarla o compromettere la sua funzione.

Installazione e regolazione del dispositivo graduato angolatore antiscorrimento (Fig. 35)

Installare il dispositivo graduato angolatore antiscorrimento inserendo il suo albero in una delle due scanalature della tavola girevole dal davanti. La guida dispositivo graduato angolatore antiscorrimento, che viene usata anche come guida pezzo, può essere installata sul dispositivo graduato angolatore antiscorrimento secondo il lavoro.

Sacchetto polvere

L'impiego del sacchetto polvere rende le operazioni di taglio pulite e facilita la raccolta della polvere. Per attaccare il sacchetto polvere, montarlo sulla bocchettone polvere. (Fig. 36)

Quando il sacchetto polvere è quasi mezzo pieno, rimuoverlo dall'utensile e tirar via la chiusura. Vuotare il sacchetto polvere dandogli dei leggeri colpetti, in modo da rimuovere le particelle attaccate all'interno che potrebbero ostacolare la raccolta successiva. (Fig. 37)

Se alla sega si collega un aspiratore, si possono eseguire operazioni più efficienti e pulite. (Fig. 38)

Gomito (Fig. 39)

ATTENZIONE:

- Puntare l'apertura di scarico del gomito nella direzione in cui la polvere e i trucioli non finiscano sull'utensile o sulle persone nell'area di lavoro.

Attaccare il gomito per cambiare la direzione di scarico della polvere.

Fissaggio del pezzo

AVVERTIMENTO:

- È estremamente importante fissare sempre correttamente e saldamente il pezzo con la morsa. In caso contrario, si potrebbe danneggiare l'utensile e/o distruggere il pezzo. C'È ANCHE PERICOLO DI LESIONI PERSONALI. Inoltre, dopo l'operazione di taglio, NON sollevare la lama finché non si è fermata completamente.

Guida pezzo secondaria (Fig. 40)

La guida pezzo secondaria può essere installata sulla guida pezzo. Rimuovere la guida pezzo secondaria per eseguire tagli a sbieco sinistrorsi o tagli come sega da tavolo (modalità sega da banco).

ATTENZIONE:

- Rimuovere la guida pezzo secondaria per eseguire tagli a sbieco sinistrorsi o tagli come sega da tavolo (modalità sega da banco). In caso contrario, essa fa contatto con la lama o una parte dell'utensile causando un possibile grave incidente all'operatore.

Morsa verticale (Fig. 41)

La morsa verticale può essere installata in due posizioni, sul lato destro o sinistro della guida laterale. Inserire l'asta morsa nella guida laterale, e stringere la vite di serraggio per fissare l'asta morsa.

Posizionare il braccio morsa secondo lo spessore e la forma del pezzo, e fissare il braccio morsa stringendo la vite di serraggio. Se la vite per fissare il braccio morsa fa contatto con la guida laterale, installare la vite di serraggio sul lato opposto del braccio morsa. Accertarsi che nessuna parte dell'utensile faccia contatto con la morsa quando si abbassa completamente il manico. Se qualche parte fa contatto con la morsa, riposizionare la morsa.

Premere il pezzo a filo contro la guida laterale e la tavola girevole. Posizionare il pezzo sulla posizione di taglio desiderata, e fissarlo saldamente stringendo la manopola della morsa.

ATTENZIONE:

- Il pezzo deve essere fissato saldamente contro la tavola girevole e la guida laterale.

Impostazione dell'utensile nella modalità di sega da banco

ATTENZIONE:

- Prima di usare l'utensile nella modalità di sega da banco, accertarsi che la tavola girevole sia fissata all'angolo di taglio obliquo di 0° con la vite di serraggio della guida laterale.
- Prima di usare l'utensile nella modalità di sega da banco, accertarsi che la testa dell'utensile sia stata fissata con la leva.
- Prima di usare l'utensile nella modalità di sega da banco, accertarsi che il coltello divisore sia stato fissato correttamente in posizione.
- Prima di usare l'utensile nella modalità di sega da banco, rimuovere la protezione inferiore C lama.
- Nella modalità di sega da banco, rilasciare il fermo fine corsa inferiore.

L'utensile viene spedito dalla fabbrica impostato nella modalità di sega circolare. Prima di usare l'utensile nella modalità di sega da banco, cambiare l'impostazione e seguire la procedura sotto.

1. Fissaggio della tavola girevole (Fig. 42)

Per fissare la tavola girevole, stringere saldamente la vite di serraggio sulla guida laterale all'angolo di taglio obliquo di 0°.

2. Fissaggio della testa utensile (Fig. 43)

Fissare la testa utensile stringendo la leva nella direzione della freccia mostrata in figura.

3. Rilascio del fermo fine corsa inferiore (Fig. 44)

Accertarsi che la fine del fermo fine corsa inferiore sia sulla posizione A in figura. Girare la fine del fermo fine corsa inferiore in senso antiorario sulla posizione A se si trova sulla posizione B.

4. Riposizionamento del coltello divisore (Fig. 45)

La posizione (Fig. 45-A) deve essere cambiata come segue.

- (1) Allentare il dado di serraggio. (Fig. 45-B)
- (2) Tirare e girare il coltello divisore sulla posizione dell'angolo di 90° nella direzione della freccia. (Fig. 45-C) Spingerlo leggermente dentro in modo che si fermi in questa posizione.
- (3) Sollevare a mano completamente la protezione inferiore A lama usando il suo oggetto, spingendo allo stesso tempo a sinistra la leva vicina al manico, e rilasciare la leva vicina al manico. (Fig. 45-D)
- (4) Spingere il coltello divisore nella direzione della freccia (vedere la Fig. 45-E), in modo che sia allineato con la lama.
- (5) Dopo aver spinto il coltello divisore nella direzione della freccia mostrata in figura, rilasciare la protezione inferiore A lama.
- (6) Dopo aver allineato il coltello divisore, stringere saldamente il dado di serraggio (vedere la Fig. 45-F).

5. Rimozione della protezione inferiore C lama (Fig. 46)

Rimuovere la protezione inferiore C lama dalla tavola girevole allentando la vite di serraggio.

6. Bloccaggio della testa utensile nella posizione completamente abbassata (Figg. 47 e 48)

Dopo aver regolato il coltello divisore in posizione per la modalità di sega da banco, tirare il fermo nella direzione della freccia A e girarlo all'angolo di 90° nella direzione della freccia B con il fermo tirato. Abbassare poi il manico per bloccare la testa utensile.

ATTENZIONE:

- Se la testa utensile non può essere bloccata nella posizione completamente abbassata, girare diverse volte in senso orario la manopola di regolazione profondità.
- Prima di capovolgere l'utensile, accertarsi sempre che il perno di fermo abbia bloccato saldamente la testa dell'utensile nella posizione più bassa.

7. Capovolgimento dell'utensile (Fig. 49)

AVVERTIMENTO:

- Accertarsi che l'utensile sia spento e staccato dalla presa di corrente prima di capovolgerlo.
- Per spingere giù la leva, tenere le mani/dita lontane dall'area di montaggio della leva-tavola girevole. Tenere con una mano la parte centrale del bordo della tavola, spingere giù la leva con l'altra mano tenendo saldamente il bordo della tavola e girare con cura la tavola per capovolgerla. Continuare a tenerla finché si blocca.

8. Installazione della protezione superiore lama (Fig. 50)

Spingere il pulsante della protezione superiore lama sulla sua superficie laterale, metterlo nella tacca del coltello divisore con il pulsante schiacciato e rilasciare il pulsante.

Dopo aver rilasciato il pulsante, accertarsi che la protezione superiore lama sia fissata provando a tirarla via.

ATTENZIONE:

- Dopo l'installazione della protezione superiore lama, accertarsi che funzioni scorrevolmente.

Impostazione dell'utensile nella modalità di sega circolare (Fig. 51)

AVVERTIMENTO:

- Prima di usare l'utensile nella modalità di sega circolare, installare la protezione inferiore C lama.

Per cambiare l'impostazione dalla modalità di sega da banco alla modalità di sega circolare, invertire la procedura della sezione "Impostazione dell'utensile nella modalità di sega da banco".

1. Rimozione della protezione superiore lama

Spingere il pulsante della protezione superiore lama sulla sua superficie laterale, e togliere poi semplicemente la protezione superiore lama in su con il pulsante schiacciato.

2. Installazione della protezione inferiore C lama

Mettere la protezione inferiore C lama sulla tavola girevole in modo che entri nella fessura della tavola, e stringere saldamente la vite di serraggio.

3. Capovolgimento dell'utensile

Riferirsi alla sezione con lo stesso titolo di "Impostazione dell'utensile nella modalità di sega da banco".

4. Rilascio della testa utensile dalla posizione completamente abbassata

Tenendo il manico, tirare il perno di fermo nella direzione della freccia A, girarlo all'angolo di 90° nella direzione della freccia B con il perno di fermo tirato e sollevare lentamente il manico.

5. Riposizionamento del coltello divisore (Fig. 52)

La posizione del coltello divisore (Fig. 52-A) deve essere cambiata come segue.

- (1) Allentare il dado di serraggio e tenere con la mano la protezione inferiore A lama per il suo oggetto. (Fig. 52-B)
- (2) Tenendo la protezione inferiore A lama, tirare il coltello divisore in modo che giri e ruotarlo sulla posizione nella direzione della freccia. (Fig. 52-C)
- (3) Mantenendo il coltello divisore in quella posizione, rimettere la protezione inferiore A lama sulla sua posizione originale e stringere saldamente il dado di serraggio. (Fig. 52-D e E)

UTILIZZO

ATTENZIONE:

- Prima dell'uso, rilasciare il manico dalla posizione abbassata tirando il perno di fermo e girandolo all'angolo di 90°.
- Prima di accendere l'utensile, accertarsi che la lama non faccia contatto con il pezzo, ecc.

TAGLIO NELLA MODALITÀ DI SEGA CIRCOLARE

AVVERTIMENTO:

- Accertarsi che la protezione inferiore C lama sia installata prima di usare l'utensile nella modalità di sega circolare.

ATTENZIONE:

- Non esercitare una pressione eccessiva sul manico durante il taglio. Una forza eccessiva potrebbe causare il sovraccarico del motore e/o ridurre l'efficienza di taglio. Spingere giù il manico con la sola forza necessaria per un taglio scorrevole e senza una riduzione rilevante della velocità della lama.
- Premere gli delicatamente il manico per eseguire il taglio. Se si preme giù con forza il manico, o se si applica una forza laterale, la lama vibra e lascia un segno sul pezzo (segno della lama), e la precisione del taglio viene compromessa.

1. Taglio con pressione (Fig. 53)

Fissare il pezzo contro la guida pezzo e la tavola girevole. Accendere l'utensile senza che la lama faccia alcun contatto, e aspettare finché la lama ha raggiunto la piena velocità prima di abbassarla. Abbassare poi delicatamente il manico sulla posizione completamente abbassata per tagliare il pezzo. Al completamento del taglio, spegnere l'utensile e **ASPETTARE FINCHÉ LA LAMA SI È FERMATO COMPLETAMENTE** prima di riportarla sulla sua posizione completamente sollevata.

2. Ugnatura a 45°

Riferirsi alla spiegazione "Regolazione dell'angolo di taglio obliquo" più indietro.

3. Taglio a sbieco (Fig. 54)

Allentare la leva e inclinare la lama per regolare l'angolo di smusso (riferirsi alla spiegazione "Regolazione dell'angolo di smusso" più indietro). Stringere poi di nuovo saldamente la leva per fissare con sicurezza l'angolo di smusso selezionato. Fissare il pezzo contro la guida pezzo e la tavola girevole. Accendere l'utensile senza che la lama faccia alcun contatto, e aspettare finché la lama ha raggiunto la piena velocità. Abbassare poi delicatamente il manico sulla posizione completamente abbassata esercitando una pressione parallelamente con la lama. Al completamento del taglio, spegnere l'utensile e **ASPETTARE FINCHÉ LA LAMA SI È FERMATO COMPLETAMENTE** prima di riportarla sulla sua posizione completamente sollevata.

ATTENZIONE:

- Controllare sempre che la lama si muova giù nella direzione di smusso durante il taglio a sbieco. Tenere le mani fuori dal percorso della lama.
- Durante il taglio a sbieco, si potrebbe verificare una condizione in cui il pezzo tagliato viene a trovarsi appoggiato al fianco della lama. Se si solleva la lama mentre sta ancora girando, il pezzo potrebbe venir preso dalla lama causando un pericoloso spargimento di frammenti. La lama deve essere sollevata **SOLTANTO** dopo che si è completamente fermata.
- Quando si preme giù il manico, esercitare una pressione parallela alla lama. Se la pressione non è parallela alla lama durante il taglio, l'angolo della lama potrebbe spostarsi compromettendo la precisione del taglio.
- Rimuovere sempre la guida pezzo secondaria quando si eseguono tagli a sbieco sinistrorsi.

4. Taglio misto

Il taglio misto è quello in cui su un pezzo si esegue allo stesso tempo un angolo di smusso e un angolo obliquo. Il taglio misto può essere eseguito all'angolo mostrato nella tabella.

Angolo di smusso	Angolo di taglio obliquo
45°	Destro e sinistro: 0 – 45°

006366

Per eseguire il taglio misto, riferirsi alle spiegazioni "Taglio con pressione", "Ugnatura a 45°" e "Taglio a sbieco".

5. Taglio delle estrusioni di alluminio (Fig. 55)

Per fissare le estrusioni di alluminio, usare i blocchi distanziatori o pezzi di scarto, come mostrato in figura, per evitare la deformazione dell'alluminio. Per tagliare le estrusioni di alluminio, usare un lubrificante da taglio per evitare l'accumularsi delle bave di alluminio sulla lama.

ATTENZIONE:

- Non si deve mai cercare di tagliare estrusioni di alluminio spesse o rotonde. Le estrusioni di alluminio spesse potrebbero liberarsi durante il taglio, e quelle rotonde non possono essere fissate saldamente con questo utensile.
- L'alluminio non deve mai essere tagliato nella modalità di sega da banco.

TAGLIO NELLA MODALITÀ DI SEGA DA BANCO

ATTENZIONE:

- Usare sempre degli “aiuti per il lavoro”, come una bacchetta di spinta o un blocco di spinta, se c'è il pericolo che le mani o le dita si avvicinino alla lama.
- Tenere sempre saldamente il pezzo con la tavola e la guida pezzo. Non piegarlo o storcerlo mentre viene fatto avanzare. Se si piega o storce il pezzo, si potrebbero verificare pericolosi contraccolpi.
- Non si deve MAI ritirare il pezzo mentre la lama sta girando. Se si deve ritirare il pezzo prima del completamento del taglio, spegnere prima l'utensile tenendo saldamente il pezzo. Aspettare finché la lama si è fermata completamente prima di ritirare il pezzo. In caso contrario, si potrebbero verificare dei pericolosi contraccolpi.
- Non si deve MAI ritirare il materiale tagliato mentre la lama sta girando.
- Non si devono MAI mettere le mani o le dita sul percorso della lama.
- Fissare sempre saldamente la guida pezzo, perché altrimenti si potrebbero verificare dei pericolosi contraccolpi.
- Usare sempre degli “aiuti per il lavoro”, come una bacchetta di spinta o un blocco di spinta, per tagliare pezzi piccoli o stretti, oppure quando la testa è nascosta durante il taglio.
- Rimuovere la guida pezzo secondaria per eseguire i tagli come sega da tavolo (modalità sega da banco).

Aiuti per il lavoro

Gli “aiuti per il lavoro” sono le bacchette di spinta, i blocchi di spinta e la guida ausiliaria. Usarli per eseguire i tagli con sicurezza, senza che una qualsiasi parte del corpo dell'operatore faccia contatto con la lama.

Blocco di spinta (Fig. 56)

Usare un pezzo di compensato di 19 mm.

Il manico deve essere al centro del pezzo di compensato. Fissare con colla e viti per legno, come mostrato. I piccoli pezzi di legno di 9,5 x 8 x 50 mm devono sempre essere incollati al compensato, per evitare che la lama si smussi se l'operatore taglia per sbaglio il blocco di spinta. (Non si devono mai usare chiodi nel blocco di spinta.)

Guida ausiliaria (Fig. 57)

Fare una guida ausiliaria con pezzi di compensato di 9,5 mm e 19 mm.

Taglio diritto nel senso della fibra

ATTENZIONE:

- Per eseguire i tagli diritti, rimuovere il dispositivo graduato angolare antiscorrimento dalla tavola girevole.
 - Per tagliare pezzi lunghi o larghi, provvedere sempre un supporto adeguato dietro la tavola. NON lasciare che una lunga tavola si muova o si sposti sulla tavola girevole. Ciò causa il bloccaggio della lama e aumenta la possibilità di contraccolpi e di lesioni personali. Il supporto deve essere alla stessa altezza della tavola girevole.
1. Regolare la profondità di taglio leggermente più alta dello spessore del pezzo. Per fare questa regolazione, riferirsi alla sezione “Regolazione della profondità di taglio”.

2. Posizionare la guida pezzo alla larghezza desiderata di taglio, e fissarla in posizione stringendo la vite di serraggio (A). Prima di eseguire il taglio diritto, accertarsi che le due viti del supporto guida pezzo siano strette saldamente. Se non sono strette sufficientemente, stringerle di nuovo.
3. Girare l'utensile e far avanzare delicatamente il pezzo nella lama lungo la guida pezzo.
 - (1) Se la larghezza del taglio diritto è di 150 mm o maggiore, usare una mano per far avanzare il pezzo facendo attenzione. Usare l'altra mano per tenere il pezzo in posizione contro la guida pezzo. **(Fig. 58)**
 - (2) Se la larghezza del taglio diritto è di 65 mm – 150 mm, usare la bacchetta di spinta per far avanzare il pezzo. **(Fig. 59)**
 - (3) Se la larghezza del taglio diritto è di meno di 65 mm, la bacchetta di spinta non può essere usata perché urta contro la protezione lama. Usare la guida ausiliaria e il blocco di spinta. Attaccare la guida ausiliaria alla guida pezzo con due morsetti “C”. **(Fig. 60)**Far avanzare il pezzo a mano finché la fine è a circa 25 mm dal bordo anteriore della superficie superiore della tavola girevole. Continuare a far avanzare il pezzo usando il blocco di spinta sulla parte superiore della guida ausiliaria fino al completamento del taglio. **(Fig. 61)**

Taglio incrociato

ATTENZIONE:

- Per fare un taglio incrociato, rimuovere la guida pezzo dalla tavola girevole.
- Per tagliare pezzi lunghi o larghi, provvedere sempre un supporto adeguato ai lati della tavola girevole. Il supporto deve essere alla stessa altezza della tavola girevole.
- Tenere sempre le mani lontane dal percorso della lama.

Dispositivo graduato angolare antiscorrimento (Fig. 62)

Usare il dispositivo graduato angolare antiscorrimento per i quattro tipi di taglio mostrati in figura.

ATTENZIONE:

- Fissare con cura la manopola sul dispositivo graduato angolare antiscorrimento.
- Evitare lo slittamento del pezzo e del dispositivo graduato angolare antiscorrimento fissandoli saldamente, soprattutto eseguendo i tagli angolati.
- Non si deve MAI tenere o afferrare il pezzo di “ritaglio” progettato.

Utilizzo del dispositivo graduato angolare antiscorrimento (Fig. 63)

Spingere il dispositivo graduato angolare antiscorrimento nelle scanalature spesse della tavola girevole. Allentare la manopola sul dispositivo graduato angolare antiscorrimento, e allineare sull'angolo desiderato (da 0° a 60°). Mettere il pezzo a filo contro la guida, e farlo avanzare delicatamente nella lama.

Guida ausiliaria in legno (dispositivo graduato angolare antiscorrimento) (Fig. 64)

Per evitare il traballamento delle tavole lunghe, mettere sul dispositivo graduato angolare antiscorrimento una tavoletta guida ausiliaria. Fissare i bulloni/dadi dopo aver trapanato i fori, ma gli elementi di fissaggio non devono sporgere dalla faccia della tavoletta.

Trasporto dell'utensile (Fig. 65)

Accertarsi che l'utensile sia staccato dalla presa di corrente. Con l'utensile appena usato nella modalità di sega circolare, fissare la lama all'angolo di smusso di 0° e girare la tavola girevole all'angolo di taglio obliquo di 0°. Abbassare completamente il manico e bloccarlo nella posizione abbassata spingendo dentro completamente il perno di fermo.

Trasportare l'utensile tenendolo per la parte mostrata in figura. (Fig. 66)

ATTENZIONE:

- Fissare sempre tutte le parti mobili prima di trasportare l'utensile.
- Prima di trasportare l'utensile, disporlo sempre nella modalità di sega circolare.
- Accertarsi che la protezione inferiore C lama sia installata sull'utensile.

MANUTENZIONE

ATTENZIONE:

- Accertarsi sempre che l'utensile sia spento e staccato dalla presa di corrente prima di cercare di eseguire l'ispezione o la manutenzione.
- Mai usare benzina, benzene, solventi, alcol e altre sostanze simili. Potrebbero causare scolorimenti, deformazioni o crepe.

AVVERTIMENTO:

- Per le prestazioni migliori e più sicure, accertarsi sempre che la lama sia affilata e pulita.

Regolazione dell'angolo di taglio

L'utensile è stato regolato e allineato con cura in fabbrica, ma il suo rude maneggiamento potrebbe aver alterato l'allineamento. Se l'utensile non è allineato correttamente, procedere come segue:

1. Angolo di taglio obliquo

I bulloni di regolazione angolo di taglio obliquo di 0° si trovano in quattro posizioni.

Allentare i bulloni di regolazione angolo di taglio obliquo di 0° girandoli in senso antiorario da sotto la tavola girevole. (Fig. 67)

Abbassare completamente il manico e bloccarlo nella posizione abbassata tirando e ruotando in senso orario il perno di fermo all'angolo di 90°. Mettere la lama a filo con la faccia della guida laterale usando un righello triangolare, squadra di riscontro, ecc. Stringere poi saldamente i quattro bulloni di regolazione sul sottobraccio da sotto la tavola girevole. Accertarsi che l'indice indichi 0° sulla squadra zoppa. In caso contrario, regolare la posizione dell'indice allentando la vite che fissa l'indice. Dopo la regolazione, stringere saldamente la vite. (Fig. 68)

2. Angolo di smusso

(1) Angolo di smusso di 0°

Abbassare completamente il manico e bloccarlo nella posizione abbassata tirando e ruotando in senso orario il perno di fermo all'angolo di 90°. Allentare la leva sulla parte posteriore dell'utensile.

Girare in senso antiorario di due o tre giri da sotto la tavola girevole il bullone di regolazione angolo di smusso di 0° sul lato destro del sottobraccio, per inclinare la lama a destra. (Fig. 69)

Mettere con cura il fianco della lama a filo con la superficie superiore della tavola girevole usando il righello triangolare, squadra di riscontro, ecc., girando in senso orario il bullone di regolazione angolo di smusso di 0°. (Fig. 70)

Accertarsi che l'indice sulla tavola girevole indichi 0° sulla squadra falsa sul braccio. Se non indica 0°, allentare la vite che fissa l'indice e regolare l'indice in modo che indichi 0°.

(2) Angolo di smusso di 45°

Regolare l'angolo di smusso di 45° soltanto dopo aver eseguito la regolazione dell'angolo di smusso di 0°. Per regolare l'angolo di smusso di 45°, allentare la leva e inclinare completamente la lama a sinistra. Accertarsi che l'indice sul braccio indichi 45° sulla squadra falsa sul braccio. Se l'indice non indica 45°, girare da sotto la tavola girevole il bullone di regolazione angolo di smusso di 45° sul lato sinistro del sottobraccio finché l'indice indica 45°. (Fig. 71)

Sostituzione delle spazzole di carbone (Fig. 72 e 73)

Rimuovere e controllare regolarmente le spazzole di carbone. Sostituirle se sono usurate fino al segno di limite. Mantenere pulite le spazzole di carbone, e libere di scorrere nei portaspazzole. Le spazzole di carbone devono essere sostituite allo stesso tempo. Usare soltanto spazzole di carbone identiche.

Per rimuovere le toppe portaspazzole, usare un cacciavite. Togliere le spazzole usurate, inserire le nuove e fissare i tappi del portaspazzole.

Dopo l'uso

- Dopo l'uso, togliere i trucioli e la polvere attaccati all'utensile usando uno straccio od altro oggetto simile, in modo da assicurarne la massima vita di servizio. Mantenere pulite le protezioni lama seguendo le spiegazioni della sezione "Protezioni lama" indietro nel testo. Lubrificare le parti mobili con olio per macchine, per evitare la ruggine.

Per preservare la SICUREZZA e l'AFFIDABILITÀ del prodotto, le riparazioni e qualsiasi altra manutenzione e regolazione devono essere eseguite presso un Centro di assistenza Makita autorizzato, usando sempre i ricambi Makita.

ACCESSORI OPZIONALI

ATTENZIONE:

- Per l'utensile specificato in questo manuale, si consigliano questi accessori o ricambi. L'utilizzo di altri accessori o ricambi può costituire un pericolo. Usare soltanto gli accessori o ricambi specificati per il loro utilizzo.

Per maggiori dettagli e l'assistenza, rivolgersi al Centro Assistenza Makita locale.

- Lame in acciaio e al tungsteno
- Morsa verticale
- Chiave esagonale 6
- Sacchetto polvere
- Righello triangolare
- Coperchio polvere (protezione inferiore C lama)
- Bacchetta di spinta
- Gruppo righello (guida pezzo)
- Dispositivo graduato angolare anticorrosione
- Piastra di fissaggio (3 pezzi)
- Bullone esagonale (3 pezzi)
- Gomito
- Gruppo coperchio superiore (protezione superiore lama)

NOTA:

- Alcuni articoli nella lista potrebbero essere inclusi nell'imballo dell'utensile come accessori standard. Essi potrebbero differire da Paese a Paese.

ENG905-1

Rumore

Il tipico livello di rumore pesato A determinato secondo EN61029:

Livello pressione sonora (L_{pA}): 91 dB (A)
 Livello potenza sonora (L_{WA}): 108 dB (A)
 Incertezza (K): 3 dB (A)

Indossare i paraorecchi

ENG900-1

Vibrazione

Il valore totale di vibrazione (somma vettore triassiale) determinato secondo EN61029:

Emissione di vibrazione (a_h): 2,5 m/s² o meno
 Incertezza (K): 1,5 m/s²

ENG901-1

- Il valore di emissione delle vibrazioni dichiarato è stato misurato conformemente al metodo di test standard, e può essere usato per paragonare un utensile con un altro.
- Il valore di emissione delle vibrazioni dichiarato può anche essere usato per una valutazione preliminare dell'esposizione.

AVVERTIMENTO:

- L'emissione delle vibrazioni durante l'uso reale dell'utensile elettrico può differire dal valore di emissione dichiarato a seconda dei modi in cui viene usato l'utensile.
- Identificare le misure di sicurezza per la protezione dell'operatore basate sulla stima dell'esposizione nelle condizioni reali d'utilizzo (tenendo presente tutte le parti del ciclo operativo, come le volte in cui l'utensile viene spento e quando gira a vuoto, oltre al tempo di funzionamento).

Modello per l'Europa soltanto

Dichiarazione CE di conformità

Makita dichiara che la macchina seguente:

Designazione della macchina:

Sega combinata

Modello No./ Tipo: LF1000

conformi alle direttive europee seguenti:

2006/42/CE

È stata fabbricata in conformità allo standard e ai documenti standardizzati seguenti:

EN61029

La documentazione tecnica conforme 2006/42/CE è disponibile da:

Makita, Jan-Baptist Vinkstraat 2, 3070, Belgio

30.10.2014



Yasushi Fukaya
Amministratore

Makita, Jan-Baptist Vinkstraat 2, 3070, Belgio

Verklaring van algemene gegevens

1 Stel moer	34 Aanslaghaak	69 Machinekop vergrendeld in de laagste stand
2 Poot	35 Zeskant-inbusbout	70 Positie waar de hand/vingers geplaatst moeten worden
3 Bevestigingsplaat	36 Asblokkering	71 Vergrendelingshaken
4 Zeskantbout	37 Hefhendel	72 Spanklem (accessoire)
5 U-vormige uitsparingen	38 Zaagblad	73 Vulhout
6 Onderste beschermkap A	39 Zaagbladbehuizing	74 Geleider
7 Onderste beschermkap B	40 Pijl	75 Geperst aluminiumprofiel
8 Onderste beschermkap C (alleen voor gebruik in verstekzaagstand)	41 Buitenste flens	76 Parallelgeleider-hulpstuk
9 Drukknop	42 Binnenste flens	77 Houtschroef
10 Spouwmes	43 As	78 Vastlijmen
11 Bovenste beschermkap (voor gebruik in tafelzaagstand)	44 Ring	79 Duwstok
12 Bovenvlak van draaibaar voetstuk	45 Klemmoer	80 Extra geleider
13 Omtrek van het zaagblad	46 Bladdikte	81 Duwblok
14 Langsgeleider	47 Schulpgeleiderhouder	82 Recht doorzagen
15 Aanslag voor de ondergrens	48 Geleiderail	83 Horizontaal verstekzagen
16 Moer	49 Klemschroef (A)	84 Verticaal verstekzagen
17 Stelbout	50 Klemschroef (B)	85 Samengesteld verstekzagen (horizontale en verticale hoeken)
18 Klemschroef	51 Schulpgeleider	86 Knop
19 Handgreep	52 Lijn waarmee uitgelijnd moet worden: Lijn (A)	87 Gedeelte waar de machine bij het dragen wordt vastgehouden
20 Draaitafel	53 Bovenkant tafel	88 Winkelhaak
21 Hendel	54 Werkstuk	89 0° instelbout
22 Stelknop voor zaagdiepte	55 Vierkante moer	90 45° instelbout
23 Veranderen naar de verstekzaagstand	56 Schaal	91 Bovenoppervlak van de draaitafel
24 Veranderen naar de tafelzaagstand	57 Verstelschroef	92 Arm
25 Ontgrendelknop	58 Bovenste beschermkap	93 Gradenboog voor verticaal verstekzagen
26 Aan/uit-schakelaar	59 Aanslaggeleider voor horizontaal verstek	94 Wijzer
27 ON-toets	60 Aanslag voor horizontaal verstek	95 Uiterste slijtagrens
28 OFF-toets	61 Groeven	96 Deksel van de koelborstelhouder
29 Vergrendelpen	62 Stofmondstuk	97 Schroevendraaier
30 Zeskantsleutel	63 Stofzak	
31 Zeskantsleutelhouder	64 Sluiting	
32 Haak	65 Elleboog	
33 Poten	66 Snelspanklem-pen	
	67 Snelspanklem-knop	
	68 Snelspanklem-arm	

TECHNISCHE GEGEVENS

Model	LF1000
Zaagblad diameter	260 mm
Dikte zaagbladlichaam	1,8 mm – 2,0 mm
Dikte van het spouwmes	2,2 mm
Asgat diameter	
Voor Europese landen	30 mm
Max. Zaagcapaciteit (H x B) met een zaagblad van 260 mm diameter in de verstekzaagstand	

Verticale verstekhoek	Horizontale verstekhoek
	0°
0°	20 mm x 180 mm 68 mm x 155 mm
45° (links)	50 mm x 150 mm

Max. zaagcapaciteit onder een hoek van 90° als zaagtafel (in de tafelzaagstand)	70 mm
Rotatiesnelheid, onbelast	2 700 tpm (min ⁻¹)
Grootte zaagtafel (B x L)	500 mm x 555 mm
Afmetingen (L x B x H1 (opm.1) / H2 (opm. 2)) in de verstekzaagstand	660 mm x 650 mm x 1 220 mm / 800 mm
Afmetingen (L x B x H1 (opm.1) / H2 (opm. 2)) in de tafelzaagstand	660 mm x 650 mm x 1 060 mm / 845 mm
Netto gewicht	36 kg
Veiligheidsklasse	□/II

(Opm. 1) H1: Hoogte tot bovenkant kop van de machine

(Opm. 2) H2: Hoogte tot bovenkant tafelloppervlak

- In verband met ononderbroken research en ontwikkeling behouden wij ons het recht voor bovenstaande technische gegevens te wijzigen zonder voorafgaande kennisgeving.
- De technische gegevens kunnen van land tot land verschillen.
- Gewicht volgens de EPTA-procedure 01/2003

Doeleinden van gebruik

ENE061-1

Het gereedschap is bedoeld voor nauwkeurig zagen in hout in een rechte lijn en onder verstek. Het gereedschap kan worden gebruikt in zowel de verstekzaagstand als in de tafelzaagstand door de draaitafel om zijn as te draaien.

Stroomvoorziening

ENF002-2

Het gereedschap mag alleen worden aangesloten op een stroombron van hetzelfde voltage als aangegeven op de naamplaat, en kan alleen op enkel-fase wisselstroom worden gebruikt. Het gereedschap is dubbel-geïsoleerd en kan derhalve ook op een niet-geaard stopcontact worden aangesloten.

Algemene veiligheidswaarschuwingen voor elektrisch gereedschap

GEA010-1

⚠ WAARSCHUWING! Lees alle veiligheidswaarschuwingen en alle instructies. Het niet volgen van de waarschuwingen en instructies kan leiden tot elektrische schokken, brand en/of ernstig letsel.

Bewaar alle waarschuwingen en instructies om in de toekomst te kunnen raadplegen.

ENB094-6

VEILIGHEIDSVOORSCHRIFTEN VOOR DE TAFEL-, AFKORT- EN VERSTEKZAAGCOMBINATIE

VOOR GEBRUIK IN ZOWEL DE VERSTEKZAAGSTAND ALS IN DE TAFELZAAGSTAND (ALS ZAAGTAFEL):

1. Controleer het zaagblad voor elk gebruik zorgvuldig op barsten of beschadigingen. Vervang een beschadigd zaagblad onmiddellijk.
2. Gebruik de machine niet zonder beschermkappen en spouwmes, vooral na het wisselen van gebruiksstand. Controleer voor ieder gebruik of de beschermkappen van het zaagblad op de juiste wijze sluiten. Gebruik de machine niet als de beschermkappen niet vrij bewegen of niet onmiddellijk sluiten. Klem of bindt de beschermkappen nooit vast in een open positie. Elke ongewone werking van de beschermkappen moet onmiddellijk gecorrigeerd worden.
3. Gebruik alleen zaagbladen die aanbevolen worden door de fabrikant en die voldoen aan de norm EN847-1. De groef van de zaagsnede moet wijder zijn dan de dikte van het spouwmes en het zaagblad zelf moet dunner zijn dan het spouwmes.
4. Zaagbladen van snelstaal (HSS) mogen niet worden gebruikt.
5. Draag oogbescherming.
6. Draag oorbeschermers om aantasting van uw gehoor te voorkomen.
7. Draag handschoenen wanneer u zaagbladen of ruw materiaal hanteert (zaagbladen dienen zo vaak als praktisch mogelijk is in een houder te worden gedragen).
8. Tijdens het zagen moet de machine zijn aangesloten op een stofafzuiging.
9. Berg de duwstok altijd op als deze niet wordt gebruikt.
10. Houd de werkomgeving van de machine schoon en vrij van los materiaal, zoals spanen en zaagresten.
11. De gebruiker moet voldoende geoefend zijn in het gebruik, instellen en bedienen van de machine.
12. Als u de zaag onbeheerd achterlaat, schakelt u die eerst uit en trekt u de stekker uit het stopcontact.
13. Zorg ervoor, om het geluidsniveau te verlagen, dat het zaagblad altijd scherp en schoon is.
14. Gebruik alleen zaagbladen gemarkeerd met een maximumsnelheid die gelijk is aan of hoger dan het onbelast toerental dat staat aangegeven op het gereedschap.
15. Ga nooit afgezaagde stukken of andere delen van het werkstuk verwijderen uit de werkplaats terwijl de zaag nog draait met een zaagblad zonder afscherming.
16. De machine mag niet gebruikt worden voor enige vorm van freeswerk.
17. Maak de as, flenzen (in het bijzonder de montagezijde) en de bevestigingsbout schoon, en zorg dat deze vóór en tijdens het plaatsen van het zaagblad niet beschadigd worden. Schade aan deze onderdelen kan resulteren in breuk van het zaagblad. Een slechte montage kan vibratie/slingeren of doorslaan van het zaagblad veroorzaken. Gebruik alleen flenzen die geschikt zijn voor deze machine.
18. Gebruik altijd de accessoires die in deze gebruiksaanwijzing aanbevolen worden. Gebruik van ongeschikte accessoires, zoals slijpschijven, kan leiden tot verwondingen.
19. Kies voor het materiaal, dat u wilt bewerken, het geschikte zaagblad.

20. Zaag niet door metaal zoals spijkers of schroeven. Inspecteer het werkstuk en verwijder alle spijkers, schroeven en andere hinderlijke voorwerpen, voordat u het gaat bewerken.
21. Verwijder elk loszittende houtknoest uit het werkstuk **VOORDAT** u het begint te zagen.
22. Werk niet met de machine in een omgeving, waarin zich brandbare vloeistoffen of gassen bevinden.
23. Verwijder, voor uw eigen veiligheid, spanen, kleine voorwerpen, e.d. van het werkoppervlak en tafelblad, voordat u de stekker van de elektrische machine in het stopcontact steekt en deze gaat gebruiken.
24. Blijf met uw handen uit de buurt van het zaagblad en zorg ervoor dat toeschouwers en uzelf zich niet ophouden nabij en in de lijn van het zaagblad. Vermijd contact met elk ronddraaiend zaagblad. Het kan ernstige verwondingen veroorzaken en zorg er daarom voor handen, vingers en armen uit de buurt van het zaagblad te houden.
25. Wees altijd oplettend, in het bijzonder tijdens herhalende, monotone bewerkingen. Laat u niet verleiden tot een vals gevoel van veiligheid. Zaagbladen zijn uiterst meedogenloos.
26. Zorg ervoor dat de asvergrendeling is opgeheven, voordat de machine wordt ingeschakeld.
27. Voordat u de machine bij een werkstuk gaat gebruiken, moet u deze eerst een korte tijd laten draaien. Controleer op vibraties en slingeringen, wat kan duiden op een slecht gemonteerd of een slecht gebalanceerd zaagblad.
28. Wacht met zagen totdat het zaagblad de volledige rotatiesnelheid heeft bereikt.
29. Weerhoudt u ervan eventuele zaagresten of andere delen van het werkstuk van de zaagplek te verwijderen, terwijl de machine nog draait en de kop van de zaagmachine niet in de rustpositie staat.
30. Stop de bewerking onmiddellijk als u iets ongevoelens bespeurt.
31. Schakel de machine uit en wacht totdat het zaagblad stilstaat, voordat u het werkstuk verwijdert of de instellingen verandert.
32. Haal de stekker uit het stopcontact, voordat u het zaagblad wisselt, onderhoud pleegt aan de machine of deze buiten gebruik stelt.
33. Stof dat tijdens de werkzaamheden vrijkomt, kan chemische bestanddelen bevatten die kanker, geboortedefecten of andere reproductieschade kunnen veroorzaken. Enkele voorbeelden van deze stoffen zijn:
 - lood van loodhoudende verfstoffen en,
 - arsenicum en chroom van chemisch behandeld hout.
 Het blootstellingsrisico dat u loopt varieert en hangt af van het feit hoe vaak u dit soort handelingen uitvoert. Om blootstelling aan deze chemische bestanddelen te verminderen: voert u de werkzaamheden uit in een goed geventileerde werkomgeving en maakt u gebruik van goedgekeurd beschermende hulpmiddelen, zoals stofmaskers die ontworpen zijn om microscopisch kleine deeltjes te kunnen filteren.
34. Zorg ervoor dat de tafel stevig is vastgeklemd met de hendel nadat de tafel is omgeklapt.

BIJ GEBRUIK IN VERSTEKZAAGSTAND:

35. Gebruik de zaag niet om materiaal, anders dan hout, aluminium of gelijkwaardige materialen, te zagen.
36. Zaag nooit met het werkstuk in uw hand. Het werkstuk moet voor alle werkzaamheden stevig met een klem worden vastgezet tegen de draaitafel en de geleider. Houd het werkstuk tijdens het werken nooit met uw hand vast.
37. Zorg vóór elke zaagsnede dat het gereedschap goed stabiel is.
38. Ondersteun lange werkstukken met geschikte extra steunen of schragen.
39. Ga nooit zagen in een werkstuk dat te klein is om stevig in de spanschroef te klemmen. Een werkstuk dat niet goed vast zit kan terugslag en daardoor ernstige verwondingen veroorzaken.
40. Zorg ervoor, dat de draaitafel stevig is vastgeklemd, zodat deze tijdens bewerking niet kan bewegen.
41. Zorg ervoor, dat de arm stevig is vastgeklemd tijdens het verticaal verstekzagen. Span de hendel, met de wijsers van de klok mee, om de arm vast te klemmen.
42. Zorg ervoor dat het zaagblad, in de laagste stand, niet in aanraking komt met de draaitafel en het werkstuk niet aanraakt, voordat de machine wordt ingeschakeld.
43. Houdt de handgreep stevig vast. Houdt er rekening mee dat de zaag iets omhoog of omlaag beweegt bij het in- en uitschakelen.

BIJ GEBRUIK ALS ZAAGTAFEL (IN DE TAFEL-ZAAGSTAND):

44. Voer geen bewerking uit de vrije hand uit. "Uit de vrije hand" betekent dat u uw handen, in plaats van een schulpgeleider, gebruikt om het werkstuk te ondersteunen of te geleiden.
45. Zorg ervoor, dat de draaitafel stevig is vastgeklemd.
46. Zorg ervoor, dat de arm stevig is vastgeklemd in de werkpositie. Span de hendel, met de wijsers van de klok mee, om de arm vast te klemmen.
47. Gebruik tijdens de bewerking een duwstok of een duwblok om te voorkomen, dat uw handen en vingers te dicht bij het zaagblad komen.
48. Zorg ervoor, dat het zaagblad niet in aanraking komt met het spouwmes of werkstuk, voordat de machine wordt ingeschakeld.
49. Besteed vooral aandacht aan de instructies met betrekking tot vermindering van het risico van TERUGSLAG. TERUGSLAG is een plotselinge reactie van een geblokkeerd, geklemd of niet goed uitgelijnd zaagblad. Door de TERUGSLAG wordt het werkstuk teruggeslingerd van de machine naar de bediener. TERUGSLAG KAN ERNSTIG PERSOONLIJK LETSEL VEROORZAKEN. Vermijd TERUGSLAG door het zaagblad scherp te houden, door de schulpgeleider evenwijdig met het zaagblad te houden, door het spouwmes en beschermkap op hun plaats te houden en op juiste wijze te laten werken, door het werkstuk pas te verwijderen nadat het helemaal voorbij het zaagblad is geduwd, en door niet een werkstuk te schulpen dat verdraaid of vervormd is, of geen rechte kant heeft om langs de langsgeleider te geleiden.

50. Vermijd abrupte en snelle toevoer van zaagmateriaal. Voer, bij het zagen van harde werkstukken, deze zo langzaam mogelijk toe. Buig of verdraai de werkstukken niet tijdens het toevoeren. Wanneer het zaagblad vast komt te zitten in het werkstuk, moet u de machine onmiddellijk uitschakelen. Haal de stekker uit het stopcontact. Verwijder daarna pas het werkstuk van het vastgelopen zaagblad.
51. Alvorens het gereedschap om te klappen, moet u altijd controleren of de machinekop goed is vergrendeld in de laagste stand door de vergrendelende.

BEWAAR DEZE INSTRUCTIES.

⚠ WAARSCHUWING:

LAAT NIET uw vertrouwdeheid met het gereedschap (na regelmatig gebruik) omslaan in slordigheid of onachtzaamheid omtrent de strik na te leven veiligheidsvoorschriften voor dit product. **VERKEERD GEBRUIK** of het niet naleven van de veiligheidsvoorschriften in deze gebruiksaanwijzing kan leiden tot ernstige verwondingen.

OPSTELLEN

LET OP:

- Houd de werkomgeving van de machine schoon en vrij van los materiaal, zoals spanen en zaagresten.

Opstelling als zaagtafel (Fig. 1, 2 en 3)

Opstellen als hoge tafel met volledig neergeklapte poten

Als de machine niet stabiel staat, kunt u dit corrigeren door de stelvoet van de poot te draaien. Draai, van bovenaf gezien, tegen de wijzers van de klok in, om de poot korter te maken, en met de wijzers van de klok mee, om de poot langer te maken. Zorg ervoor, dat de machine na afstelling stabiel staat.

Monteer de bevestigingsplaten, met de L-vorm naar buiten gericht, met behulp van zeskantbouten op de drie poten. En bevestig de machine op een stabiele en vlakke ondergrond met drie bouten door de gaten in de bevestigingsplaten.

Opstellen als lage tafel met opgeklapte poten

Met opgeklapte poten kunt u de machine op een ondergrond bevestigen door gebruik te maken van de U-vormige uitsparingen, zoals aangegeven in de afbeelding.

FUNCTIEBESCHRIJVING

LET OP:

- Zorg er altijd voor dat de machine is uitgeschakeld en de stekker uit het stopcontact is getrokken, voordat u de instellingen ervan verandert of de werking van de machine controleert.

Beschermkap (Fig. 4, 5 en 6)

LET OP:

- Zorg ervoor dat de handgreep niet omlaag kan worden geduwd zonder de hendel, vlakbij de handgreep, naar links te duwen.
- Zorg ervoor dat de onderste beschermkap A niet opengaat tenzij de hendel, vlakbij de handgreep, naar links wordt geduwd, terwijl de handgreep zich in de hoogste stand bevindt.

- Zorg ervoor, dat de onderste beschermkap C gemontereerd is voordat de machine in de verstekzaagstand gebruikt wordt.

Als u de handgreep omlaag duwt, terwijl u de hendel naar links duwt, zal de onderste beschermkap A automatisch omhoog komen. De onderste beschermkap B komt bij aanraking van het werkstuk omhoog. De onderste beschermkappen zijn voorzien van een veerwerking, zodat deze terugkeren naar hun oorspronkelijke positie als na het voltooiën van het zagen de handgreep omhoog wordt gebracht. De bovenste beschermkap komt plat op het tafelloppervlak te liggen als het werkstuk er onderdoor gepasseerd is. **DEMONTEER NOOIT DE ONDERSTE BESCHERMKAPPEN, DE DAARAAN GEHECHTE VEER, OF DE BOVENSTE BESCHERMKAP, EN HOUDT ZE NOOIT TEGEN** behalve in gevallen zoals vermeld in onderstaande opmerking.

Houdt elke beschermkap, in het belang van uw persoonlijke veiligheid, in goede conditie. Elke ongewone werking van de beschermkappen moet onmiddellijk gecorrigeerd worden. Controleer of de beschermkappen door de veerwerking terugkeren. **GEBRUIK DE MACHINE NOOIT ALS DE ONDERSTE BESCHERMKAPPEN, DE DAARAAN GEHECHTE VEER, OF DE BOVENSTE BESCHERMKAP, BESCHADIGD, DEFECT OF GEDEMONTEERD ZIJN** behalve in gevallen zoals vermeld in onderstaande opmerking. **GEBRUIK IN DIE OMSTANDIGHEDEN IS ZEER GEVAARLIJK EN KAN TOT ERNSTIGE VERWONDINGEN LEIDEN.**

OPMERKING:

- De uitzonderingen voor het demonteren van de beschermkappen zijn als volgt. De onderste beschermkap mag alleen voor gebruik in de tafelzaagstand worden gedemonteerd. De bovenste beschermkap mag alleen voor gebruik in verstekzaagstand worden gedemonteerd.

Als een van deze doorzichtige beschermkappen vuil wordt, of als zaagmeel zich op een dusdanige wijze heeft vastgehecht dat het zaagblad niet meer zichtbaar is, moet u de stekker uit het stopcontact halen en de beschermkappen voorzichtig met een vochtige doek schoonmaken. Gebruik geen oplosmiddelen of schoonmaakmiddelen gebaseerd op aardolie op de kunststof beschermkappen.

Als de onderste beschermkap A zeer vervuild is of als het zicht door de beschermkap aangetast is, moet u als volgt handelen. Breng de handgreep volledig omhoog. Demonteer het zaagblad. (Raadpleeg het hoofdstuk "Montage en demontage van het zaagblad"). Breng de onderste beschermkap A omhoog terwijl u de hendel naar links duwt. Met de onderste beschermkap A in deze positie, kunt u deze beter en efficiënter schoonmaken. Als u klaar bent met het schoonmaken, volgt u bovenstaande procedure in omgekeerde volgorde en draait u de bout vast.

In dezelfde situatie als bovenvermeld, opent u de bovenste beschermkap door op de knop aan de voorzijde te drukken en de bovenste beschermkap te demonteren. Monteer na het schoonmaken de beschermkappen altijd weer stevig.

Als een van deze beschermkappen door ouderdom of blootstelling aan ultraviolet licht mocht verkleuren, neemt u voor een nieuwe beschermkap contact op met een Makita-servicecentrum. **DEMONTEER NOOIT BESCHERMKAPPEN EN HOUDT ZE NOOIT TEGEN.**

Handhaven van de maximale zaagcapaciteit (Fig. 7)

Deze machine is door de fabrikant ingesteld om, voor een zaagblad van 260 mm, de maximale zaagcapaciteit te leveren.

Bij het monteren van een nieuw zaagblad, moet u altijd de positie van de ondergrens van het zaagblad controleren en, indien nodig, als volgt afstellen:

LET OP:

- Trek de stekker uit het stopcontact voordat u deze afstelling uitvoert.

Trek eerst de stekker uit het stopcontact. Duw de handgreep helemaal omlaag. Gebruik de sleutel om de stelbout dusdanig af te stellen, dat de omtrek van het zaagblad iets onder het oppervlak van de draaitafel komt, en wel op het punt waar de voorkant van de langsgelider het oppervlak van de draaitafel raakt.

Terwijl de stekker nog steeds uit het stopcontact is en terwijl u de handgreep helemaal omlaag gedruwd houdt, draait u het zaagblad met de hand om er zeker van te zijn dat het zaagblad geen enkel deel van de tafel raakt. Verstel enigszins, indien nodig.

LET OP:

- Bij het monteren van een nieuw zaagblad, moet u zich altijd vergewissen, dat het zaagblad geen enkel deel van de tafel raakt als de handgreep helemaal omlaag is gedruwd. Voer dit altijd uit als de stekker uit het stopcontact is gehaald.

Deze machine kan gebruikt worden met of zonder ondergrens, door de aanslag voor de ondergrens te verplaatsen, zoals aangegeven in de afbeelding. (Fig. 8)

Om de machine te gebruiken zonder de aanslag voor de ondergrens, moet u de aanslag tegen de wijzers van de klok in verdraaien. Gebruik deze positie om een breed en dun werkstuk te zagen.

Om de machine te gebruiken met de aanslag voor de ondergrens, moet u de aanslag met de wijzers van de klok mee draaien. Gebruik deze positie om een dik werkstuk te zagen.

Instellen van de horizontale verstekhoek (Fig. 9 en 10)

Maak de klemschroef, op de langsgelider, los door deze tegen de wijzers van de klok in te draaien. Draai de draaitafel door middel van de handgreep. Nadat u de handgreep verplaatst heeft naar die positie, waarbij de wijzer naar de gewenste hoek wijst op de gradenboog van de horizontale verstekhoek, draait u de klemschroef, met de wijzers van de klok mee, weer stevig vast.

LET OP:

- U moet er voor zorgen de handgreep voor het draaien van de draaitafel geheel omhoog te brengen.
- U moet de draaitafel altijd, na instelling van de horizontale verstekhoek, vastzetten, door de klemschroef stevig vast te draaien.

Instellen van de verticale verstekhoek (Fig. 11 en 12)

In de verstekzaagstand

Om de verticale verstekhoek in te stellen, maakt u de hendel, aan de achterzijde van de machine, los, door deze tegen de wijzers van de klok in te draaien.

Duw de handgreep naar links om het zaagblad in een schuine stand te brengen, totdat de wijzer naar de gewenste hoek wijst op de gradenboog van de verticale verstekhoek. Zet daarna de hendel weer stevig vast door deze met de wijzers van de klok mee te draaien.

LET OP:

- U moet er voor zorgen de handgreep, bij het in schuine stand brengen van het zaagblad, geheel omhoog te brengen.
- U moet de arm altijd, na instelling van de verticale verstekhoek, vastzetten, door de hendel met de wijzers van de klok mee te draaien.

In de tafelzaagstand (Fig. 13)

Om de verticale verstekhoek in te stellen, maakt u de hendel, aan de voorzijde van de machine, los door deze tegen de wijzers van de klok in te draaien.

Beweeg de stelknop van de diepteaanslag naar links om het zaagblad in een schuine stand te brengen, totdat de wijzer naar de gewenste hoek wijst op de gradenboog van de verticale verstekhoek. Zet daarna de hendel weer stevig vast door deze met de wijzers van de klok mee te draaien.

Veranderen van stand (Fig. 14)

Veranderen naar verstekzaagstand

LET OP:

- Controleer altijd, voordat u de stekker in het stopcontact steekt, of de schakelaar op de juiste manier in werking komt en terugkeert naar de "OFF"-positie na loslaten.
- Als de machine niet gebruikt wordt, moet u de ontgrendelknop verwijderen en op een veilige plaats opbergen. Hiermee voorkomt u ongeoorloofd gebruik.
- Trek niet hard aan de schakelaar zonder de ontgrendelknop in te drukken. Hierdoor kan de schakelaar kapot gaan.

De machine is voorzien van een ontgrendelknop om te voorkomen dat er abusievelijk aan de schakelaar wordt getrokken. Om de machine in te schakelen, moet u de vergrendelhendel naar links duwen, de ontgrendelknop indrukken en daarna aan de schakelaar trekken. Laat de schakelaar los om de machine te stoppen.

Veranderen naar tafelzaagstand

LET OP:

- Voordat u dit uitvoert, moet u de machine eerst inschakelen en uitschakelen.

Om de machine in te schakelen, moet u op de ON (I)-toets drukken. Om uit te schakelen, moet u op de OFF (O)-toets drukken.

Instellen van de zaagdiepte (Fig. 15)

De zaagdiepte kan worden ingesteld door aan de desbetreffende stelknop te draaien. Draai de stelknop van de diepteaanslag met de wijzers van de klok mee, om het zaagblad omhoog te brengen of tegen de wijzers van de klok in, om het omlaag te brengen.

WAARSCHUWING:

- Gebruik een geringe diepte-instelling bij het zagen van dun materiaal, om een scherpe zaagsnede te verkrijgen.

LET OP:

- Het draaien van de vergrendelpen is niet mogelijk, als de machinekop in de laagste stand staat. In dat geval draait u de knop een beetje tegen de wijzers van de klok in zodat de vergrendelpen kan ontgrendelen. (Fig. 16)

Overbelastingsbeveiliging

- Alleen voor gereedschappen met een voeding van 200 V of hoger. Raadpleeg het typeplaatje op het gereedschap voor de nominale spanning.
- Wanneer de belasting van het gereedschap het toelaatbare niveau overschrijdt, wordt de voeding naar de motor beperkt om te voorkomen dat deze oververhit raakt. Nadat de belasting weer is teruggekeerd naar een toelaatbaar niveau, zal het gereedschap weer normaal werken.

MONTAGE

LET OP:

- Zorg er altijd voor, dat de machine is uitgeschakeld en de stekker uit het stopcontact is getrokken voordat u aan deze machine gaat werken.

Zeskantsleutelhouder (Fig. 17)

De zeskantsleutel wordt opgeborgen zoals aangegeven op de afbeelding. Voor gebruik moet u de zeskantsleutel uit de houder trekken. Na gebruik moet u de zeskantsleutel terugplaatsen in de houder.

De tafelhoogte op twee manieren instellen

De tafelhoogte kan op twee manieren worden ingesteld, namelijk als een hoge of een lage tafel.

WAARSCHUWING:

- Voordat u de machine achteroverkantelt, moet u de machine in de verstekzaagstand zetten en de kop van de machine in de laagste stand vastzetten.

1. Opstelling als hoge tafel (Fig. 18)

Om de machine als een hoge tafel op te stellen, moet u als volgt handelen.

- (1) Kantel de machine voorzichtig met beide handen ACHTEROVER tot op de grond.
- (2) Draai de haak in de richting van de pijl, zoals aangegeven op de afbeelding, om de poten los te maken. Open de tafelpoten aan een zijde en duw de dwarsstang van de poten geheel naar voren, totdat deze zelf in een vergrendeling valt. Voer dezelfde procedure uit met de tegenoverstaande poten. Zorg ervoor dat de poten aan beide zijden volledig vergrendeld zijn.

WAARSCHUWING:

- Zorg ervoor dat de aanslaghaken op de juiste wijze geplaatst zijn in de uitsparingen van de steun.

- (3) Zet de machine weer rechtop.

2. Opstelling als lage tafel (Fig. 19)

De poten kunnen worden opgeklapt, zoals aangegeven in de afbeelding. Om de poten op te klappen, moet u als volgt handelen.

- (1) Kantel de machine voorzichtig met beide handen ACHTEROVER tot op de grond.

- (2) Om de scharnierpunten van de linkerpoten te ontgrendelen, moet u eerst de aanslag aldaar omhoog en naar u toe trekken.
- (3) Voer voor de tegenoverstaande poten, dezelfde, hierboven beschreven, handelingen uit.
- (4) Zet de poten vast met behulp van de haak.
- (5) Zet de machine weer rechtop.

Montage en demontage van het zaagblad

LET OP:

- Zorg er altijd voor dat de machine is uitgeschakeld en de stekker uit het stopcontact is getrokken voordat u het zaagblad monteert of demonteert.
- Gebruik alleen de meegeleverde Makita-zeskantsleutel voor montage en demontage van het zaagblad. Als u dit niet doet kan het voorkomen dat de zeskant-inbusbout te strak of niet strak genoeg wordt aangedraaid. Dit kan een verwonding tot gevolg hebben.

Duw de handgreep volledig omhoog.

Druk op de asvergrendeling om de as te vergrendelen en gebruik de zeskantsleutel om de zeskant-inbusbout, met de wijzers van de klok mee, los te draaien. (Fig. 20)

Breng de beschermkap A, met de aangebrachte hefhendel, omhoog terwijl u de hendel, vlakbij de handgreep, naar links duwt. Verwijder, met de beschermkap omhoog, de zeskant-inbusbout, de buitenste flens en het zaagblad. (Fig. 21)

Plaats het zaagblad voor montage voorzichtig op de as en let erop dat de richting van de pijl op de zijkant van het zaagblad overeenkomt met de richting van de pijl op de zaagbladbehuizing. Monteer de buitenste flens en de zeskant-inbusbout, en gebruik daarna de zeskantsleutel om de zeskant-inbusbout (linksdraaiend) stevig, tegen de wijzers van de klok in, vast te draaien, terwijl u op de asvergrendeling drukt. (Fig. 22 en 23)

OPMERKING:

- Bij montage van een zaagblad, moet u ervoor zorgen dat u deze eerst in de beschermkap B steekt, en dan omhoog brengt, zodat het zaagblad uiteindelijk in de beschermkap B geplaatst is.

LET OP:

- Een ring met een buitendiameter van 25,4 mm of 30 mm is in de fabriek op de as gemonteerd. Voordat het zaagblad op de as wordt gemonteerd, moet u ervoor zorgen, dat de juiste ring, passend voor het asgat van het zaagblad, aangebracht is op de as. (Fig. 24)

Ze de onderste beschermkap A weer terug in zijn oorspronkelijke positie. Duw de handgreep omlaag om u ervan te vergewissen dat de beschermkappen op de juiste wijze bewegen. Zie erop toe dat de asvergrendeling ontgrendeld is voordat u met het zagen begint.

Instellen van het spouwmes

Als u het spouwmes volledig naar het zaagblad duwt, moet er een ruimte van 5 – 6 mm tussen spouwmes en de zaagtanden overblijven. Om het spouwmes dienovereenkomstig in te stellen, moet u de klemmoer met de hand, tegen de wijzers van de klok in, losdraaien en daarna de zeskant-inbusbout met de zeskantsleutel, tegen de wijzers van de klok in, losdraaien en de vrije ruimte meten. Na afstelling moet de zeskant-inbusbout en de klemmoer stevig, met de wijzers van de klok mee, vastgedraaid worden. Controleer altijd of het spouwmes goed vast zit en dat de bovenste beschermkap soepel werkt voordat u met het zagen begint. (Fig. 25 en 26)

Het spouwmes is voor het verlaten van de fabriek dusdanig gemonteerd dat na het eenvoudig opstellen het zaagblad en het spouwmes in een rechte lijn liggen. Raadpleeg alvorens de machine op te stellen het hoofdstuk "Het spouwmes een andere plaats geven". (Fig. 27)

LET OP:

- Als het zaagblad en het spouwmes niet in het verlengde van elkaar liggen, treedt tijdens het zagen een gevaarlijke situatie op waarbij het werkstuk beklemd kan raken. Zorg ervoor dat het spouwmes zich, van bovenaf gezien, tussen de buiteneinden van de zaagtanden bevindt. U kunt ernstig persoonlijk letsel oplopen, als u de machine gebruikt zonder dat het spouwmes goed is uitgelijnd. Als ze, om welke reden dan ook, niet uitgelijnd zijn, moet u dit altijd door een erkend Makita-servicecentrum laten repareren.
- Als u de ruimte tussen spouwmes en zaagtanden instelt, moet u in alle gevallen de zeskant-inbusbout pas losmaken nadat u de klemmoer hebt losgedraaid.

Monteren en instellen van de schulpgeleider (Fig. 28)

1. Monteer de schulpgeleider dusdanig op de tafel dat de schulpgeleiderhouder in de geleiderail valt. Draai de klemschroef (B) van de schulpgeleiderhouder stevig, met de wijzers van de klok mee, vast.
2. Maak de klemschroef (A) los.
3. Schuif de schulpgeleider naar voren en bevestig deze dusdanig dat het verst van u verwijderde punt van de schulpgeleider is uitgelijnd met het punt, waarbij de voorzijde van het zaagblad juist aan de bovenkant van het werkstuk verschijnt. Het doel van deze instelling is om het risico van terugslag naar de bediener te verminderen. Als het werkstuk tussen het zaagblad en de schulpgeleider beklemd raakt, zal het werkstuk uiteindelijk naar de bediener worden geslingerd. De lijn (A) varieert afhankelijk van de dikte van het werkstuk of de hoogte van de tafel. Stel de positie van de schulpgeleider in afhankelijk van de dikte van het werkstuk.

Nadat de schulpgeleider is ingesteld moet de klemschroef (A) stevig aangedraaid worden. (Fig. 29)

OPMERKING:

- Zoals aangegeven op de afbeelding, zijn er vier mogelijkheden voor bevestiging van de schulpgeleider. De schulpgeleider heeft twee spleten aan de zijkant, een spleet voorzien van een verhoogde rand vlakbij gelegen aan dezelfde kant, en een andere spleet zonder rand. Gebruik de schulpgeleiderzijde met de rand, gericht naar het werkstuk, alleen als u een stuk van een dun werkstuk gaat afzagen.
- Om de schulpgeleider op een andere manier te bevestigen, moet u de schulpgeleider uit de schulpgeleiderhouder halen door de klemschroef (A) los te draaien en de schulpgeleider zo terug te plaatsen in de schulpgeleiderhouder dat de voor het zaagwerk gewenste schulpgeleiderzijde naar het zaagblad is gericht, zoals weergegeven in de afbeelding. Zorg ervoor dat de vierkante moer op de schulpgeleiderhouder in de achteropening van de betreffende spleet van de schulpgeleider schuift, zoals afgebeeld.

Om de bevestigingen A of B te wijzigen naar bevestigingen C of D, of omgekeerd, moet u de vierkante moer en de klemschroef (A) van de schulpgeleiderhouder verwijderen, de klemschroef (A) en de vierkante moer daarna, vergeleken met de originele positie, aan de andere zijde van de schulpgeleiderhouder aanbrengen. Draai de klemschroef (A) stevig vast nadat de vierkante moer, op de schulpgeleiderhouder, in de spleet van de schulpgeleider is geschoven.

Schuif, zoals afgebeeld, de vierkante moer op de schulpgeleiderhouder in de achteropening van de betreffende spleet van de schulpgeleider. (Fig. 30 en 31)

De schulpgeleider is in de fabriek zo ingesteld, dat deze evenwijdig is met het oppervlak van het zaagblad. Zorg ervoor dat deze evenwijdig aan elkaar zijn. Om er zeker van te zijn dat de schulpgeleider evenwijdig is met het zaagblad, moet u de hoogte van het zaagblad, met behulp van de stelknop van de diepteaanslag, dusdanig instellen dat het zaagblad in zijn hoogste positie ten opzichte van de tafel staat. Breng op een van de tanden van het zaagblad een krijtmarkering aan. Meet de afstand (A) en (B) tussen schulpgeleider en zaagblad. Meet beide afstanden ten opzichte van de met krijt gemarkeerde zaagtand. De twee afstanden moeten identiek zijn. Als de schulpgeleider niet evenwijdig is met het zaagblad moet u als volgt handelen: (Fig. 32 en 33)

- (1) Draai de stelschroef tegen de wijzers van de klok in.
- (2) Schuif de voorzijde van de schulpgeleider iets naar rechts of links totdat deze evenwijdig staat met het zaagblad.
- (3) Draai de klemschroef op de schulpgeleider stevig vast.

LET OP:

- Zorg ervoor dat u de schulpgeleider zo instelt dat deze evenwijdig is aan het zaagblad, anders bestaat de kans van een gevaarlijke terugslag.
- Zorg ervoor dat u de schulpgeleider zo instelt dat deze niet in aanraking komt met de bovenste beschermkap of het zaagblad. (Fig. 34)
- Verplaats en draag het gereedschap niet door het aan de schulpgeleider vast te pakken.
- Door de gemonteerde schulpgeleider op te tillen, of door een kracht naar rechts of links erop uit te oefenen terwijl u met uw hand het verste uiteinde vasthoudt, kan de schulpgeleider beschadigd worden en minder goed werken.

Monteren en instellen van de aanslag voor horizontaal verstek (Fig. 35)

Monteer de aanslag voor horizontaal verstek door de as ervan vanaf de voorzijde van de tafel in een van de twee groeven te schuiven. De geleider van de aanslag voor horizontaal verstek, die ook gebruikt kan worden als een schulpgeleider, kan, afhankelijk van uw zaagwerk op de aanslag bevestigd worden.

Stofzak

Het gebruik van een stofzak zorgt ervoor dat de zaagwerkzaamheden schoner zijn en vereenvoudigt het verzamelen van stof. U kunt de stofzak aanbrengen door deze op het stofmondstuk te schuiven. (Fig. 36)

Als de stofzak ongeveer halfvol is, moet u de stofzak van de machine losmaken en de sluiting verwijderen. Leeg de stofzak en verwijder, door licht kloppen, de aan de binnenzijde gehechte deeltjes, die mogelijk een toekomstige stofopvang kunnen belemmeren. (Fig. 37)
Door aansluiting van een stofzuiger op de zaagmachine, kunt u nog efficiënter en schoner werken. (Fig. 38)

Elleboog (Fig. 39)

LET OP:

- Richt de opening van de elleboog in een dusdanige richting waarbij de vrijgekomen stofdeeltjes en spanen niet naar de machine of personen in de werkomgeving geblazen worden.

Breng de elleboog aan als u de richting van het weggeblazen stof wilt veranderen.

Het werkstuk vastzetten

WAARSCHUWING:

- Het is uiterst belangrijk om het werkstuk altijd op juiste wijze en stevig vast te klemmen met de snelspanklem. Als u dit niet doet kan de machine schade oplopen en/of het werkstuk vernietigd raken. DIT KAN OOK LEIDEN TOT PERSOONLIJK LETSEL. Breng bovendien na het zaagwerk NOOIT de zaag omhoog voordat het zaagblad compleet stil staat.

Hulpbeschermbiad (Fig. 40)

Het hulpbeschermbiad kan op de geleider worden gemonteerd. Voor het links afschuinend verstekzagen of voor het gebruik als tafelzaag (afkortzaag), verwijdert u het hulpbeschermbiad.

LET OP:

- Voor het links afschuinend verstekzagen of het gebruik als tafelzaag (afkortzaag), verwijdert u het hulpbeschermbiad. Anders zal het in aanraking komen met het zaagblad of een deel van het gereedschap, hetgeen zou kunnen leiden tot ernstig letsel voor de gebruiker.

Verticale snelspanklem (Fig. 41)

De verticale snelspanklem kan gemonteerd worden op twee posities, zowel links als rechts van de langsgeleider. Breng de snelspanklem-pen aan in het gat van langsgeleider en draai de klemschroef aan om de pen vast te zetten.

Breng de snelspanklem-arm in positie, afhankelijk van de dikte en vorm van het werkstuk, en draai de klemschroef aan om de arm vast te zetten. Als de schroef, waarmee de arm vastgezet wordt, in aanraking komt met de langsgeleider, moet u de klemschroef aan de tegenoverliggende zijde van de arm monteren. Zorg ervoor dat, bij het omlaag duwen van de handgreep, geen enkel deel van de machine in aanraking komt met de snelspanklem. Als er toch een deel in aanraking komt met de snelspanklem, moet u deze op een andere plaats monteren.

Duw het werkstuk strak tegen de langsgeleider en de draaitafel. Breng het werkstuk op zijn plaats voor de gewenste zaagsnede en span het stevig vast door de snelspanklem-knop aan te draaien.

LET OP:

- Het werkstuk moet stevig tegen de draaitafel en de langsgeleider geklemd zijn.

De machine in de tafelzaagstand brengen

LET OP:

- Voordat u de machine in de tafelzaagstand gaat gebruiken, moet u ervoor zorgen dat de draaitafel is vastgezet met behulp van de klemschroef op de langsgeleider, met een horizontale verstekhoek van 0°.
- Voordat u de machine in de tafelzaagstand gaat gebruiken, moet u ervoor zorgen dat de machinekop vastgezet is met de hendel.
- Voordat u de machine in de tafelzaagstand gaat gebruiken, moet u ervoor zorgen dat het spouwmes op de juiste plaats vastgezet is.
- Voordat u de machine in de tafelzaagstand gaat gebruiken, moet u de onderste beschermkap C demonteren.
- In de tafelzaagstand moet u de aanslag voor de ondergrens ontgrendelen.

De machine staat bij het verlaten van de fabriek in de verstekzaagstand. Om de machine in de tafelzaagstand te brengen, volgt u de onderstaande procedure.

1. De draaitafel vastzetten (Fig. 42)

De draaitafel wordt vastgezet door de klemschroef op de langsgeleider stevig vast te draaien op een horizontale verstekhoek van 0°.

2. De machinekop vastzetten (Fig. 43)

De machinekop wordt vastgezet door de hendel in de richting van de pijl, zoals afgebeeld, vast te draaien.

3. De aanslag voor de ondergrens ontgrendelen (Fig. 44)

Zorg ervoor dat de aanslag voor de ondergrens zich in positie A bevindt, zoals afgebeeld. Draai het uiteinde van de aanslag voor de ondergrens, tegen de wijzers van de klok in, naar positie A als deze zich in positie B bevindt.

4. Het spouwmes een andere plaats geven (Fig. 45)

De positie (Fig. 45-A) dient als volgt te worden veranderd.

- (1) Draai de klemmoer los. (Fig. 45-B)
- (2) Licht het spouwmes op en draai het een kwartslag (90°) om, in de richting van de pijl. (Fig. 45-C) Duw het iets in zodat het in deze positie blijft.
- (3) Breng de beschermkap A met behulp van de lip met de hand volledig omhoog en duw tegelijkertijd de hendel, vlakbij de handgreep, naar links en laat deze vervolgens weer los. (Fig. 45-D)
- (4) Duw het spouwmes in de richting van de pijl (Fig. 45-E) zodat het op één lijn komt te liggen met het zaagblad.
- (5) Nadat u het spouwmes in de richting van de pijl, zoals afgebeeld, heeft geduwd, moet u de onderste beschermkap A, loslaten.
- (6) Nadat het spouwmes in lijn ligt, moet u de klemschroef stevig vastdraaien. (Fig. 45-F)

5. Demontage van de onderste beschermkap C (Fig. 46)

Demonteer de onderste beschermkap C van de tafel door de klemschroef los te draaien.

6. De machinekop vastzetten in de laagste positie (Fig. 47 en 48)

Nadat het spouwmes in de positie is gebracht voor de tafelaarstand, moet u de vergrendelen in de richting van de pijl A trekken en deze, over een hoek van 90°, in de richting van de pijl B draaien, terwijl u aan de vergrendelen trekt. Breng daarna de handgreep in de laagste stand om de machinekop te vergrendelen.

LET OP:

- Als de machinekop niet in de laagste stand vergrendeld kan worden, moet de stelknop van de diepteaanslag enkele malen, met de wijzers van de klok mee, verdraaid worden.
- Alvorens het gereedschap om te klappen, moet u altijd controleren of de machinekop goed is vergrendeld in de laagste stand door de vergrendelen.

7. De machine omdraaien (Fig. 49)

WAARSCHUWING:

- Controleer dat het gereedschap is uitgeschakeld en dat de stekker uit het stopcontact is getrokken, alvorens het gereedschap om te draaien.
- Als u de hendel omlaag duwt, moet u ervoor zorgen dat u uw hand/vinger niet in de buurt van het kantelmechanisme van de tafel plaatst.

Houd met een hand de tafelrand in het midden vast, duw de hendel met de andere hand omlaag terwijl u de tafelrand stevig vasthoudt, en draai daarna de tafel voorzichtig om. Blijf vasthouden totdat de tafel is vergrendeld.

8. Montage van de bovenste beschermkap (Fig. 50)

Duw de drukknop van de bovenste beschermkap naar de zijkant, plaats het, terwijl u de knop ingedrukt houdt, op het nokje van het spouwmes en laat daarna de knop los.

Nadat u de drukknop heeft losgelaten, moet u nakijken of de bovenste beschermkap vast zit door eraan te trekken.

LET OP:

- Nadat de bovenste beschermkap is gemonteerd moet u nagaan of deze soepel werkt.

De machine in de verstekzaagstand brengen (Fig. 51)

WAARSCHUWING:

- Zorg ervoor dat de onderste beschermkap C gemonteerd is, voordat u de machine in de verstekzaagstand gaat gebruiken.

Om de opstelling te veranderen naar de verstekzaagstand, moet u de handelingen van het hoofdstuk "De machine in de tafelaarstand brengen" in omgekeerde volgorde uitvoeren.

1. Demontage van de bovenste beschermkap

Duw de drukknop van de bovenste beschermkap naar de zijkant en verwijder daarna de bovenste beschermkap omhoog, terwijl u de knop ingedrukt houdt.

2. Montage van de onderste beschermkap C

Plaats de onderste beschermkap C dusdanig op de tafel, dat deze in de uitsparing van de tafel valt en draai de klem Schroef stevig vast.

3. De machine omdraaien

Raadpleeg het gelijknamige gedeelte in "De machine in de tafelaarstand brengen".

4. De machinekop vanuit de laagste positie ontgrendelen

Terwijl u de handgreep vasthoudt, moet u de vergrendelen in de richting van pijl A trekken en deze, over een hoek van 90°, in de richting van pijl B draaien, terwijl u aan de vergrendelen trekt. Breng daarna de handgreep langzaam omhoog.

5. Het spouwmes een andere plaats geven (Fig. 52)

De positie van het spouwmes (Fig. 52-A) moet als volgt veranderd worden.

- (1) Draai de klemmoer los en houd de onderste beschermkap A met de hand aan de lip vast. (Fig. 52-B)
- (2) Terwijl u de onderste beschermkap A vasthoudt, tilt u het spouwmes iets op, zodat het kan draaien, en verdraait u het daarna naar de positie in de richting van de pijl. (Fig. 52-C)
- (3) Terwijl u het spouwmes in die positie houdt, brengt u de onderste beschermkap A terug naar zijn oorspronkelijke positie en draait u de klemmoer stevig vast. (Fig. 52-D en E)

GEBRUIK

LET OP:

- Zorg voor gebruik ervoor dat u de handgreep uit de onderste positie ontgrendelt, door aan de vergrendelen te trekken en deze, over een hoek van 90°, te draaien.
- Zorg ervoor dat het zaagblad niet in aanraking komt met het werkstuk, e.d., voordat de machine wordt ingeschakeld.

GEBRUIK ALS EEN VERSTEKZAAG

WAARSCHUWING:

- Zorg ervoor, dat de onderste beschermkap C gemonteerd is voordat de machine in de verstekzaagstand gebruikt wordt.

LET OP:

- Oefen geen overmatige kracht uit op de handgreep bij het zagen. Teveel kracht kan een overbelasting van de motor tot gevolg hebben en/of een verminderde zaagefficiëntie. Duw de handgreep omlaag met slechts voldoende kracht om een soepele zaagsnede mogelijk te maken en zonder aanzienlijke verhoging van de rotatiesnelheid van het zaagblad.
- Duw de handgreep voorzichtig omlaag om een zaagsnede mogelijk te maken. Als de handgreep met kracht omlaag wordt geduwd of als er een zijdelingse kracht op uit wordt gevoerd, zal het zaagblad vibreren en een markering (zaagmarkering) in het werkstuk achterlaten en zal de nauwkeurigheid van de zaagsnede achteruit gaan.

1. Afkorten (Fig. 53)

Klem het werkstuk vast tegen de langsgelieder en de draaitafel. Schakel de machine in zonder dat het zaagblad in aanraking is met enig voorwerp en wacht totdat het zaagblad de maximale rotatiesnelheid heeft bereikt voordat u de handgreep omlaag duwt. Duw de handgreep daarna voorzichtig helemaal omlaag om het werkstuk af te zagen. Schakel de machine na voltooiing van de zaagsnede uit en WACHT TOTDAT HET ZAAGBLAD VOLLEDIG GESTOPT IS voordat u het zaagblad terugbrengt naar zijn hoogste positie.

2. Horizontaal verstek

Raadpleeg het eerder beschreven "Instellen van de horizontale verstekhoek".

3. Verticaal verstekzagen (Fig. 54)

Maak de hendel los en breng het zaagblad in een schuine stand om de verticale zaaghoek in te stellen (Raadpleeg het eerder beschreven "Instellen van de verticale verstekhoek"). Zorg ervoor, dat de hendel weer stevig wordt aangedraaid om veilig met de ingestelde verticale verstekhoek te kunnen werken. Klem het werkstuk vast tegen de langseleider en de draaitafel. Schakel de machine in zonder dat het zaagblad in aanraking komt met enig voorwerp en wacht totdat het zaagblad de maximale rotatiesnelheid heeft bereikt. Duw de handgreep daarna voorzichtig helemaal omlaag terwijl u, evenwijdig aan het zaagblad, druk uitoefent. Schakel de machine na voltooiing van de zaagsnede uit en **WACHT TOTDAT HET ZAAGBLAD VOLLEDIG GESTOPT IS** voordat u het zaagblad terugbrengt naar zijn hoogste positie.

LET OP:

- Vergewist u zich er altijd van dat, bij het verticale verstekzagen, het zaagblad omlaag zal bewegen in de richting van de verticale verstekhoek. Houd handen uit de buurt van het pad van het zaagblad.
- Tijdens een verticale verstekzaagsnede kan het voorkomen, dat een afgezaagd deel tegen de zijkant van het zaagblad blijft leunen. Als het zaagblad omhoog wordt gebracht terwijl het nog steeds ronddraait, bestaat de kans dat dit deel door het zaagblad wordt geschept waardoor stukjes kunnen worden rondgeslingerd, wat gevaarlijke is. Het zaagblad mag **ALLEEN** omhoog worden gebracht als het volledig tot stilstand is gekomen.
- Als u de handgreep omlaag duwt, moet u, evenwijdig aan het zaagblad, druk uitoefenen. Als de druk, tijdens het zagen, niet evenwijdig aan het zaagblad wordt uitgeoefend, zal de hoek van het zaagblad veranderen en de precisie van de zaagsnede achteruit gaan.
- Verwijder altijd het hulpbeschermbld voordat u links afschuinent gaat verstekzagen.

4. Samengesteld verstekzagen

Bij samengesteld verstekzagen wordt het werkstuk gezaagd met een tegelijkertijd ingestelde verticale verstekhoek en horizontale verstekhoek. Samengesteld verstekzagen kan uitgevoerd worden onder de hoeken zoals weergegeven in de tabel.

Verticale verstekhoek	Horizontale verstekhoek
45°	Links en Rechts 0° – 45°

006366

Raadpleeg bij samengesteld verstekzagen de uitleg bij "Afkorten", "Horizontaal verstekzagen" en "Verticaal verstekzagen".

5. Zagen van geperst aluminiumprofiel (Fig. 55)

Gebruik, zoals afgebeeld, vulhout of afvalhout voor het vastklemmen van geperste aluminiumprofielen om vervorming van het aluminium te voorkomen. Gebruik een smeermiddel bij het zagen van geperste aluminiumprofielen om het ophopen van aluminiumslijpsel op het zaagblad te voorkomen.

LET OP:

- Probeer nooit een dik of rond geperst aluminiumprofiel te zagen. Dikke geperste aluminiumprofielen kunnen tijdens het bewerken loskomen en ronde geperste aluminiumprofielen kunnen niet met deze machine vastgeklemd worden.
- Zaag nooit aluminium in de tafelzaagstand. (in de tafelzaagstand)

GEBRUIK ALS EEN ZAAGTAFEL (IN DE TAFELZAAGSTAND)

LET OP:

- Gebruik altijd hulpstukken, zoals duwstokken en duwblokken als er gevaar bestaat dat uw handen en vingers in de buurt van het zaagblad kunnen komen.
- Houdt het werkstuk altijd stevig tegen de tafel en de schulpgeleider. Buig en verdraai het niet als u het invoert. Als het werkstuk verbogen of verdraaid is, kan dat gevaarlijke terugslag veroorzaken.
- Haal **NOOIT** een werkstuk terug als het zaagblad nog draait. Als u een werkstuk terug moet halen voordat de zaagsnede voltooid is, moet u eerst de machine uitschakelen, terwijl u het werkstuk stevig vasthoudt. Wacht totdat het zaagblad volledig tot stilstand is gekomen, voordat u het werkstuk terughaalt. Als u dat niet doet kan het gevaarlijke terugslag veroorzaken.
- Verwijder **NOOIT** restmateriaal als het zaagblad nog draait.
- Plaats **NOOIT** uw handen of vingers in het pad van het zaagblad.
- Bevestig de schulpgeleider altijd stevig, anders kan het gevaarlijke terugslag veroorzaken.
- Gebruik altijd hulpstukken, zoals duwstokken en duwblokken bij het zagen van kleine of smalle werkstukken, of als het inzaagpunt buiten het zicht valt tijdens het zagen.
- Wanneer u het gereedschap gebruikt als tafelzaag (afkortzaag), verwijderd u het hulpbeschermbld.

Hulpstukken

Duwstokken, duwblokken of extra geleiders zijn typische hulpstukken. Gebruik deze om een veilige, zekere zaagsnede te maken zonder dat de bediener, met enig lichaamsdeel, in aanraking kan komen met het zaagblad.

Duwblok (Fig. 56)

Gebruik een 19 mm dik stuk triplex.

De handgreep moet in het midden op het stuk triplex bevestigd worden. Bevestig met lijm en houtschroeven zoals afgebeeld. Het kleine stuk hout (9,5 mm x 8 mm x 50 mm) moet altijd aan het triplex gelijmd worden, om te voorkomen dat het zaagblad stomp wordt als de bediener per ongeluk in het duwblok zaagt. (Gebruik nooit spijkers in het duwblok.)

Hulpgeleider (Fig. 57)

Maak een hulpgeleider van een stukken triplex van 9,5 mm en van 19 mm.

Schulpen

LET OP:

- Demonteer de aanslag voor horizontaal verstek als u gaat schulpen.

- Als u lange en grote werkstukken gaat zagen, moet u altijd voor voldoende ondersteuning achter de tafel zorgen. Sta NIET toe dat een lange plank op de tafel kan bewegen of schuiven. Hierdoor kan het zaagblad vastgeklemd raken en de mogelijkheid op terugslag en persoonlijk letsel vergroten. De ondersteuning moet dezelfde hoogte hebben als de tafel.

1. Stel de zaagdiepte iets groter in dan de dikte van het werkstuk. Raadpleeg voor deze instelling het gedeelte "Instellen van de zaagdiepte".
2. Plaats de schulpgeleider op de gewenste breedte van de schulp en klem deze stevig op zijn plaats door de klemschroef (A) aan te draaien. Zorg ervoor dat, voordat u gaat schulpen, de twee schroeven van de schulpgeleiderhouder vastzitten. Als deze niet vast genoeg zitten, moet u ze vastdraaien.
3. Schakel de machine in en voer het werkstuk rustig, langs de schulpgeleider, naar het zaagblad.
 - (1) Bij een schulpbreedte groter dan 150 mm, gebruikt u voorzichtig een hand om het werkstuk in te voeren. Gebruik de andere hand om het werkstuk op zijn plaats tegen de schulpgeleider te houden. **(Fig. 58)**
 - (2) Bij een schulpbreedte van 65 mm – 150 mm, moet u een duwstok gebruiken om het werkstuk in te voeren. **(Fig. 59)**
 - (3) Bij een schulpbreedte kleiner dan 65 mm kan de duwstok niet gebruikt worden omdat de duwstok dan in aanraking komt met het zaagblad. Gebruik een hulpgeleider en een duwblok. Bevestig de hulpgeleider aan de schulpgeleider met twee "C" houtklemmen. **(Fig. 60)**

Voer het werkstuk met de hand in totdat het eindstuk circa 25 mm verwijderd is van de voorzijde van de tafel. Voer het werkstuk verder in met behulp van een duwblok op de hulpgeleider totdat de zaagsnede voltooid is. **(Fig. 61)**

Recht doorzagen

LET OP:

- Als u een werkstuk recht doorzaagt, moet u de schulpgeleider demonteren.
- Als u lange en grote werkstukken recht gaat doorzagen moet u altijd voor voldoende ondersteuning aan weerszijden van de tafel zorgen. De ondersteuning moet dezelfde hoogte hebben als de tafel.
- Houd handen altijd uit de buurt van het pad van het zaagblad.

Aanslag voor horizontaal verstek (Fig. 62)

Gebruik de aanslag voor horizontaal verstek voor de vier soorten zaagsneden, zoals weergegeven in de afbeelding.

LET OP:

- Zorg ervoor dat de klemschroef van de aanslag voor horizontaal verstek goed is aangedraaid.
- Voorkom, door goede klemvoorzieningen, dat het werkstuk en de aanslag kan wegkruipen, in het bijzonder bij het zagen onder een hoek.
- Pak NOOIT het afgezaagde deel van het werkstuk vast.

Gebruik van de aanslag voor horizontaal verstek (Fig. 63)

Schuif de aanslag voor horizontaal verstek in de dikke groeven van de tafel. Maak de verstelschroef van de aanslag los en stel de gewenste hoek (0° t/m 60°) in. Leg het materiaal strak tegen de geleider en voer het rustig voorwaarts naar het zaagblad.

Extra geleidebord (aanslag voor horizontaal verstek) (Fig. 64)

Om te voorkomen dat een lange plank gaat wibelen, kunt u de aanslag voor horizontaal verstek uitrusten met een extra geleidebord. Bevestig dit met bouten/moeren na eerst gaten te hebben geboord, zonder dat deze uit het oppervlak van het geleidebord steken.

Transport van de machine (Fig. 65)

Zorg er voor dat de stekker uit het stopcontact is getrokken. Wanneer de machine net gebruikt is in de verstekzaagstand, moet u het zaagblad op een verticale verstekhoek van 0°, en de draaitafel op een horizontale verstekhoek van 0° vastzetten. Duw de handgreep helemaal omlaag en vergrendel het in de laagste stand door de vergrendelplaat volledig in te drukken.

Transporteer de machine en houdt deze vast zoals aangegeven in de afbeelding. **(Fig. 66)**

LET OP:

- Voordat u de machine transporteert, moet u altijd alle beweegbare delen vastzetten.
- Zet de machine altijd in de verstekzaagstand, voordat u deze gaat transporteren.
- Zorg ervoor dat de onderste beschermkap C op de machine gemonteerd is.

ONDERHOUD

LET OP:

- Zorg er altijd voor dat de machine is uitgeschakeld en de stekker uit het stopcontact is getrokken, voordat u een inspectie of onderhoud uitvoert.
- Gebruik nooit benzine, wasbenzine, thinner, alcohol en dergelijke. Hierdoor het verkleuring, vervormingen en barsten worden veroorzaakt.

WAARSCHUWING:

- Zorg er altijd voor dat het zaagblad scherp en schoon is, om de beste en veiligste prestaties te verwezenlijken.

De zaaghoek instellen

Hoewel deze machine in de fabriek zorgvuldig is ingesteld en uitgelijnd, kan het voorkomen dat door ruwe behandeling de uitlijning is verslechterd. Als uw machine niet goed is uitgelijnd moet u als volgt handelen:

1. Horizontale verstekhoek

De stelbouten voor de horizontale verstekhoek van 0°, bevinden zich op vier plaatsen.

Maak de stelbouten voor de horizontale verstekhoek van 0° los door ze, vanaf de onderzijde van de tafel gezien, tegen de wijzers van de klok in te draaien. **(Fig. 67)**

Duw de handgreep helemaal omlaag en vergrendel het in de laagste positie door de vergrendelpen uit te trekken en deze over een hoek van 90°, met de wijzers van de klok mee, te draaien. Zorg ervoor dat, met behulp van een winkelhaak of iets dergelijks, het zaagblad haaks komt te staan op de langsgeleider. Draai daarna de vier stelbouten, op de steunarm aan de onderzijde van de tafel, weer stevig aan. Controleer of de wijzer naar de 0° van de gradenboog van de horizontale verstekhoek wijst. Als dit niet het geval is moet u de wijzer afstellen door de schroef, die de wijzer vasthoudt, los te draaien. Na afstelling moet u de schroef stevig vastdraaien. (Fig. 68)

2. Verticale verstekhoek

(1) Verticale verstekhoek van 0°

Duw de handgreep helemaal omlaag en vergrendel het in de laagste positie door de vergrendelpen uit te trekken en deze over een hoek van 90°, met de wijzers van de klok mee, te draaien. Maak de hendel aan de achterzijde van de machine los. Draai, vanaf de onderzijde van de tafel gezien, de stelbout van de verticale verstekhoek van 0°, aan de rechterkant van de steunarm, twee tot drie slaggen tegen de wijzers van de klok in, om het zaagblad in een schuine stand naar rechts te brengen. (Fig. 69)

Zorg ervoor dat, met behulp van een winkelhaak of iets dergelijks, het zaagblad haaks komt te staan op het oppervlak van de draaitafel, door de stelbout van de verticale verstekhoek van 0°, met de wijzers van de klok mee, te draaien. (Fig. 70) Controleer of de wijzer op de draaitafel naar de 0° van de gradenboog van de verticale verstekhoek, op de arm, wijst. Als deze niet naar de 0° wijst, moet u de schroef, die de wijzer vasthoudt, los draaien en de wijzer dusdanig afstellen dat deze wel naar de 0° wijst.

(2) Verticale verstekhoek van 45°

Stel de verticale verstekhoek van 45° pas in na voltooiing van de instelling van de verticale verstekhoek van 0°. Om de verticale verstekhoek van 45° in te stellen moet u de hendel losmaken en het zaagblad volledig schuin naar links brengen. Controleer of de wijzer op de draaitafel naar de 45° van de gradenboog van de verticale verstekhoek, op de arm, wijst. Als de wijzer niet naar de 45° wijst, moet u, vanaf de onderzijde van de tafel gezien, de stelbout van de verticale verstekhoek van 45°, aan de linkerkant van de steunarm, draaien totdat de wijzer naar de 45° wijst. (Fig. 71)

Vervangen van de koolstofborstels (Fig. 72 en 73)

Demonteer en controleer de koolstofborstels regelmatig. Vervang de koolstofborstels als ze tot de uiterste slijtagegrens versleten zijn. Houdt de koolstofborstels schoon zodat ze vrijelijk in de houders kunnen glijden. Beide koolstofborstels moet gelijktijdig vervangen worden. Gebruik alleen gelijksoortige koolstofborstels.

Gebruik een schroevendraaier om de koolborsteldoppen te verwijderen. Haal de versleten koolborstels eruit, schuif de nieuwe erin, en zet de koolborsteldoppen goed vast.

Na gebruik

- Voor een maximale levensduur van het gereedschap, veegt u na gebruik de spanen en het stof van de machine af met een doek of iets dergelijks. Houdt de beschermkappen schoon volgens de instructies eerder beschreven in "Beschermkap". Smeer de bewegende delen met machineolie om roestvorming te voorkomen.

Reparatie, elk ander onderhoud en afstelling moet uitgevoerd worden door een erkend Makita-servicecentrum, waarbij altijd gebruik moet worden gemaakt van Makita-onderdelen.

OPTIONELE ACCESSOIRES

LET OP:

- Deze accessoires of hulpstukken worden aanbevolen voor gebruik met het Makita gereedschap dat in deze gebruiksaanwijzing wordt beschreven. Het gebruik van andere accessoires of hulpstukken kan gevaar voor persoonlijke verwonding opleveren. Gebruik de accessoires of hulpstukken uitsluitend voor het gespecificeerde doel.

Wenst u meer informatie over deze accessoires, neem dan contact op met het dichtstbijzijnde Makita servicecentrum.

- Stalen zaagbladen met hardstalen punten
- Verticale snelspanklem
- Dopsleutel 6
- Stofzak
- Winkelhaak
- Stofkap (onderste beschermkap C)
- Duwstok
- Lineaal compleet (schulpgeleider)
- Aanslag voor horizontaal verstek
- Bevestigingsplaat (3 stuks)
- Zeskantbout (3 stuks)
- Elleboog
- Bovenkap compleet (bovenste beschermkap)

OPMERKING:

- Sommige van de onderdelen in deze lijst kunnen bijgeleverd zijn als standaard-accessoires. Deze accessoires kunnen per land verschillend zijn.

ENG905-1

Geluidsniveau

De typisch, A-gewogen geluidsniveaus vastgesteld volgens EN61029:

Geluidsdrukniveau (L_{pA}): 91 dB (A)
 Geluidsvermogeniveau (L_{WA}): 108 dB (A)
 Onnauwkeurigheid (K): 3 dB (A)

Draag oorbeschermers

ENG900-1

Trilling

De totaalwaarde van de trillingen (triaxiale vectorsom) vastgesteld volgens EN61029:

Trillingsemmissie (a_h): 2,5 m/s² of lager
 Onnauwkeurigheid (K): 1,5 m/s²

ENG901-1

- De opgegeven trillingsemmissiewaarde is gemeten volgens de standaardtestmethode en kan worden gebruikt om dit gereedschap te vergelijken met andere gereedschappen.
- De opgegeven trillingsemmissiewaarde kan ook worden gebruikt voor een beoordeling vooraf van de blootstelling.

WAARSCHUWING:

- De trillingsemissie tijdens het gebruik van het elektrisch gereedschap in de praktijk kan verschillen van de opgegeven trillingsemissiewaarde afhankelijk van de manier waarop het gereedschap wordt gebruikt.
- Zorg ervoor dat veiligheidsmaatregelen worden getroffen ter bescherming van de operator die zijn gebaseerd op een schatting van de blootstelling onder praktijkomstandigheden (rekening houdend met alle fasen van de bedrijfscyclus, zoals de tijdsduur gedurende welke het gereedschap is uitgeschakeld en stationair draait, naast de ingeschakelde tijdsduur).

ENH003-15

Alleen voor Europese landen

EU-Verklaring van Conformiteit

Makita verklaart hierbij dat de volgende machine(s):

Aanduiding van de machine:

Tafel-, afkort- en verstekzaagcombinatie

Modelnr./ Type: LF1000

Voldoen aan de volgende Europese richtlijnen:

2006/42/EU

Ze zijn gefabriceerd in overeenstemming met de volgende norm of genormaliseerde documenten:

EN61029

Het technisch documentatiebestand volgens 2006/42/EU is verkrijgbaar in:

Makita, Jan-Baptist Vinkstraat 2, 3070, België

30.10.2014



Yasushi Fukaya
Directeur

Makita, Jan-Baptist Vinkstraat 2, 3070, België

Explicación de los dibujos

1 Tuerca de ajuste	31 Portallaves	66 Brazo de mordaza
2 Pata	32 Gancho	67 Barra de mordaza
3 Chapa de fijación	33 Patas	68 Manija de la mordaza
4 Perno hexagonal	34 Gancho de retención	69 Cabezal de la sierra bloqueado en posición completamente bajada
5 Ranuras en forma de U	35 Perno de cabeza hueca hexagonal	70 Área de la palanca para poner la mano/dedo
6 Protector de disco inferior A	36 Bloqueo del eje	71 Partes de enganche
7 Protector de disco inferior B	37 Palanca de elevación	72 Mordaza (accesorio)
8 Protector de disco inferior C (utilizado sólo en el modo de sierra ingletadora)	38 Disco de sierra	73 Bloqueo espaciador
9 Pulsador	39 Caja del disco	74 Guía lateral
10 Abridor	40 Flecha	75 Extrusión de aluminio
11 Protector de disco superior (utilizado en el modo de sierra de mesa)	41 Brida exterior	76 Cara/borde paralelos
12 Superficie superior de la baste giratoria	42 Brida interior	77 Tornillo para madera
13 Periferia del disco	43 Eje	78 Guía adjunta
14 Guía lateral	44 Anillo	79 Listón de empuje
15 Tope de límite inferior	45 Tuerca de fijación	80 Guía auxiliar
16 Tuerca	46 Anchura del disco	81 Bloque de empuje
17 Perno de ajuste	47 Soporte de la guía de corte al hilo	82 Corte transversal
18 Tornillo de apriete	48 Carril guía	83 Ingletado
19 Empuñadura	49 Tornillo de apriete (A)	84 Corte en bisel
20 Mesa giratoria	50 Tornillo de apriete (B)	85 Ingletado compuesto (ángulos)
21 Palanca	51 Guía de corte al hilo	86 Manija
22 Manija de ajuste de la profundidad de corte	52 Línea con la que alinear: Línea (A)	87 Parte por donde agarrar la herramienta para transportarla
23 Interruptor en el modo de sierra ingletadora	53 Mesa superior	88 Escuadra
24 Interruptor en el modo de sierra de mesa	54 Pieza de trabajo	89 Perno de ajuste a 0°
25 Botón de desbloqueo	55 Tuerca cuadrada	90 Perno de ajuste a 45°
26 Gatillo interruptor	56 Escala	91 Parte superior de la mesa giratoria
27 Botón ON	57 Tornillo de ajuste	92 Brazo
28 Botón OFF	58 Protector de disco superior	93 Escala de bisel
29 Pasador de retención	59 Guía del graduador de inglete	94 Puntero
30 Llave hexagonal	60 Graduador de inglete	95 Base giratoria
	61 Ranuras	96 Tapón portaescobillas
	62 Boquilla de polvo	97 Destornillador
	63 Bolsa de polvo	
	64 Cierre	
	65 Codo	

ESPECIFICACIONES

Modelo	LF1000
Diámetro del disco.....	260 mm
Grosor de la hoja de sierra.....	1,8 mm – 2,0 mm
Grosor del abridor.....	2,2 mm
Diámetro del agujero	
Para países europeos.....	30 mm
Capacidades de corte máximas (Al x An) con disco de 260 mm de diámetro en el modo de sierra ingletadora	

Ángulo de bisel	Ángulo de inglete
	0°
0°	20 mm x 180 mm
	68 mm x 155 mm
45° (izquierda)	50 mm x 150 mm

Capacidades de corte máximas a 90° en el modo de sierra de mesa (modo sierra de banco).....	70 mm
Velocidad en vacío (min ⁻¹).....	2.700
Tamaño de la mesa (An x La).....	500 mm x 555 mm
Dimensiones (La x An x Al1 (nota 1) / Al2 (nota 2)) en el modo de	
sierra ingletadora.....	660 mm x 650 mm x 1.220 mm / 800 mm
en el modo de sierra de mesa.....	660 mm x 650 mm x 1.060 mm / 845 mm
Peso neto.....	36 kg
Clase de seguridad.....	□/II

(Nota 1) A1: Altura hasta el cabezal de la herramienta
(Note 2) A2: Altura hasta la mesa

- Debido a un programa continuo de investigación y desarrollo, las especificaciones aquí dadas están sujetas a cambios sin previo aviso.
- Las especificaciones pueden ser diferentes de país a país.
- Peso de acuerdo con el procedimiento EPTA 01/2003

ENE061-1

Uso previsto

La herramienta ha sido prevista para realizar cortes de precisión rectos y en inglete en madera. La herramienta puede utilizarse tanto en el modo de sierra ingletadora como en el modo de sierra de mesa volteando la mesa alrededor de su eje.

ENF002-2

Alimentación

La herramienta ha de conectarse solamente a una fuente de alimentación de la misma tensión que la indicada en la placa de características, y sólo puede funcionar con corriente alterna monofásica. El sistema de doble aislamiento de la herramienta puede, por lo tanto, usarse también en enchufes hembra sin conductor de tierra.

GEA010-1

Advertencias de seguridad generales para herramientas eléctricas

⚠ ¡ADVERTENCIA! Lea todas las advertencias de seguridad y todas las instrucciones. Si no sigue todas las advertencias e instrucciones podrá ocasionar una descarga eléctrica, un incendio y/o heridas graves.

Guarde todas las advertencias e instrucciones para futuras referencias.

ENB094-6

ADVERTENCIAS DE SEGURIDAD PARA LA SIERRA REVERSIBLE

PARA EL MODO DE SIERRA INGLETADORA Y MODO DE SIERRA DE MESA (MODO SIERRA DE BANCO):

1. Inspeccione el disco cuidadosamente para ver si tiene grietas o deformación antes de comenzar la operación.
Reemplace el disco dañado inmediatamente.
2. No utilice la sierra sin los protectores y el abridor instalados, especialmente después de un cambio de modo. Compruebe los protectores de disco para confirmar que se cierran debidamente antes de cada uso. No utilice la sierra si los protectores de disco no se mueven libremente y se cierran instantáneamente. No sujete ni ate los protectores de disco en la posición abierta. Cualquier operación irregular de los protectores de disco deberá ser corregida inmediatamente.
3. Utilice solamente discos de sierra especificados por el fabricante y que cumplan con la norma EN847-1. La anchura de la ranura del corte deberá ser más gruesa que el abridor y el grosor del disco de sierra deberá ser más fino que el abridor.
4. No utilice discos de sierra fabricados con acero rápido.
5. Utilice protección para los ojos.

6. Póngase protección para los oídos para reducir el riesgo de sufrir pérdida auditiva.
7. Póngase guantes para manejar el disco de sierra (los discos de sierra deberán ser transportados en un portadiscos siempre que sea posible) y materiales bastos.
8. Conecte la herramienta a un dispositivo de recogida de polvo cuando corte.
9. Guarde siempre el listón de empuje cuando no lo esté utilizando.
10. Mantenga el área del suelo alrededor de la herramienta en buen estado y libre de materiales sueltos, por ejemplo, virutas y recortes de madera.
11. El operario deberá estar debidamente capacitado para utilizar, ajustar y manejar la herramienta.
12. Pare la sierra y desenchúfela cuando la vaya a dejar desatendida.
13. Para reducir el ruido emitido, asegúrese siempre de que el disco esté afilado y limpio.
14. Utilice solamente discos de sierra que estén marcados con una velocidad máxima igual o mayor que la velocidad sin carga marcada en la herramienta.
15. No retire nunca ningún recorte de madera u otras partes de la pieza de trabajo del área de corte mientras la herramienta está funcionando con un disco de sierra desprotegido.
16. La herramienta no deberá ser utilizada para acanalar, machihembrar o ranurar.
17. Limpie y tenga cuidado de no dañar el eje, las bridas (especialmente la superficie de instalación) y el perno de fijación antes o durante la instalación del disco. Los daños en estas piezas podrán resultar en la rotura del disco. Una mala instalación puede ocasionar vibraciones/bamboleo o resbalamiento del disco. Utilice solamente las bridas especificadas para esta herramienta.
18. Utilice los accesorios recomendados en este manual. La utilización de accesorios no apropiados, tales como discos abrasivos, podrá ocasionarle heridas.
19. Seleccione el disco de sierra correcto para el material a cortar.
20. No corte objetos metálicos, tales como clavos y tornillos. Inspeccione y quite todos los clavos, tornillos y otros materiales extraños de la pieza de trabajo antes de la operación.
21. Extraiga cualquier nudo suelto de la pieza de trabajo ANTES de comenzar a cortar.
22. No utilice la herramienta en presencia de líquidos o gases inflamables.
23. Por su propia seguridad, retire las virutas, recortes de madera, etc., del área de trabajo y de la parte superior de la mesa antes de enchufar la herramienta y comenzar la operación.
24. Mantenga las manos y la posición suya y de su ayudante o curiosos fuera de la trayectoria del disco de sierra y nunca en línea con ella. Evite el contacto con cualquier disco que esté girando por inercia. Todavía puede ocasionarle graves heridas por lo que nunca deberá acercarse al disco.

25. Esté alerta en todo momento, especialmente durante las operaciones repetitivas y monótonas. No se deje llevar por una falsa sensación de seguridad. Los discos no perdonan nunca.
 26. Asegúrese de que el bloqueo del eje esté suelto antes de activar el interruptor.
 27. Antes de utilizar la herramienta en una pieza de trabajo definitiva, déjala funcionar durante un rato. Observe para ver si hay vibración o bamboleo que pueda indicar una incorrecta instalación o desequilibrio del disco.
 28. Espere hasta que el disco alcance plena velocidad antes de cortar.
 29. Absténgase de retirar cualquier recorte de madera u otras partes de la pieza de trabajo del área de corte mientras la herramienta esté en marcha y el cabezal de la sierra no esté en posición de descanso.
 30. Pare la operación inmediatamente si nota algo anormal.
 31. Apague la herramienta y espere hasta que el disco de sierra se pare antes de mover la pieza de trabajo o cambiar los ajustes.
 32. Desenchufe la herramienta antes de cambiar el disco, hacer el mantenimiento o cuando no la esté utilizando.
 33. El polvo de las operaciones de corte algunas veces contiene productos químicos que se sabe ocasionan cáncer, defectos de nacimiento u otros peligros relacionados con la reproducción. Algunos ejemplos de estos productos químicos son:
 - plomo de materiales pintados con pinturas que contengan plomo y,
 - arsénico y cromo de maderas tratadas químicamente.

El riesgo al que se expone variará, dependiendo de la frecuencia con la que realice este tipo de trabajo. Para reducir la exposición a estos productos químicos: trabaje en un área bien ventilada y póngase el equipo de seguridad indicado, tal como esas máscaras contra el polvo que están especialmente diseñadas para filtrar partículas microscópicas.
 34. Asegúrese de que la mesa esté fijada firmemente con la palanca después de darle la vuelta.
- CUANDO LA UTILICE EN EL MODO DE SIERRA INGLETADORA:**
35. No utilice la sierra excepto para cortar madera, aluminio o materiales similares.
 36. No realice ninguna operación sin sujetar la pieza de trabajo. La pieza de trabajo deberá estar firmemente sujetada contra la base giratoria y la guía lateral con la mordaza durante todas las operaciones. No utilice nunca la mano para sujetar la pieza de trabajo.
 37. Asegúrese de que la herramienta esté estable antes de cada corte.
 38. Apoye las piezas de trabajo largas con soportes adicionales apropiados.
 39. No corte nunca piezas de trabajo pequeñas que no puedan ser sujetadas firmemente con la mordaza. Una pieza de trabajo sujetada incorrectamente puede ocasionar retrocesos bruscos y heridas personales graves.
 40. Asegúrese de que la mesa giratoria esté debidamente sujeta de forma que no se mueva durante la operación.
 41. Asegúrese de que el brazo esté fijado firmemente cuando haga cortes en bisel. Apriete la palanca en sentido de las manecillas del reloj para fijar el brazo.
 42. Antes de activar el interruptor asegúrese de que el disco no hace contacto con la mesa giratoria en la posición más baja y que tampoco está tocando la pieza de trabajo.
 43. Agarre la empuñadura firmemente. Tenga en cuenta que la sierra se mueve ligeramente hacia arriba o hacia abajo durante el inicio y la parada.
- CUANDO LA UTILICE EN EL MODO DE SIERRA DE MESA (MODO SIERRA DE BANCO):**
44. No realice ninguna operación directamente con la mano. Directamente con la mano significa utilizar las manos para sujetar o guiar la pieza de trabajo, en vez de con una guía de corte al hilo.
 45. Asegúrese de que la mesa giratoria está fijada firmemente.
 46. Asegúrese de que el brazo esté fijado firmemente en la posición de trabajo. Apriete la palanca en sentido de las manecillas del reloj para fijar el brazo.
 47. Utilice un listón de empuje o un bloque de empuje para evitar trabajar con las manos y los dedos cerca del disco.
 48. Antes de activar el interruptor asegúrese de que el disco no esté haciendo contacto con el abridor o la pieza de trabajo.
 49. Preste atención especial a las instrucciones que explican cómo reducir el riesgo de RETROCESOS BRUSCOS. El RETROCESO BRUSCO es una reacción repentina debida a un aprisionamiento, estancamiento o desalineación del disco. El RETROCESO BRUSCO ocasiona la expulsión de la pieza de trabajo por la parte trasera de la herramienta hacia el operario. LOS RETROCESOS BRUSCOS PUEDEN ACARREAR HERIDAS PERSONALES GRAVES. Evite los RETROCESOS BRUSCOS manteniendo el disco afilado, la guía de corte al hilo paralela al disco, el abridor y el protector de disco en su lugar y funcionando debidamente, no soltando la pieza de trabajo hasta que la haya empujado más allá del disco, y no cortando al hilo una pieza de trabajo que esté retorcida o alabeada o que no tenga un borde recto para guiarla a la largo de la guía.
 50. Evite avanzar la pieza de trabajo de forma abrupta o rápida. Cuando corte piezas de trabajo duras desplácelas lo más lentamente posible. No tuerza ni retuerza la pieza de trabajo al avanzarla. Si el disco se detiene o atasca en la pieza de trabajo, apague la herramienta inmediatamente. Desenchufe la herramienta. Después quite el atasco.
 51. Antes de dar la vuelta a la herramienta, asegúrese siempre de que el pasador de retención haya bloqueado firmemente el cabezal de la herramienta en la posición más baja.

GUARDE ESTAS INSTRUCCIONES.

ADVERTENCIA:

NO deje que la comodidad o familiaridad con el producto (a base de utilizarlo repetidamente) sustituya la estricta observancia de las normas de seguridad para el producto en cuestión. El MAL USO o el no seguir las normas de seguridad establecidas en este manual de instrucciones podrá ocasionar graves heridas personales.

INSTALACIÓN

PRECAUCIÓN:

- Mantenga el área del suelo alrededor de la herramienta en buen estado y libre de materiales sueltos, tales como virutas y recortes de madera.

Montaje en banco de trabajo (Fig. 1, 2 y 3)

Para montaje con las patas totalmente extendidas como mesa alta

Cuando la herramienta no pueda ser montada de forma estable, gire el perno de ajuste de la pata de la herramienta para conseguir la estabilidad apropiada. Gire en sentido contrario a las manecillas del reloj visto desde arriba para acortar la pata y en sentido de las manecillas del reloj para alargarla. Después de ajustar, asegúrese de que la herramienta se mantiene estable.

Instale las chapas de fijación con el extremo en ángulo orientado hacia fuera en tres patas de la herramienta con pernos hexagonales. Y sujete la herramienta a la superficie estable y nivelada utilizando los agujeros para pernos provistos en las chapas de fijación con tres pernos.

Para montaje con las patas plegadas como mesa baja

Cuando la herramienta esté lista en la posición de patas plegadas, sujétela utilizando las ranuras en forma de U mostradas en la figura.

DESCRIPCIÓN DEL FUNCIONAMIENTO

PRECAUCIÓN:

- Asegúrese siempre de que la herramienta esté apagada y desenchufada antes de ajustar o comprobar cualquier función de la herramienta.

Protector de disco (Fig. 4, 5 y 6)

PRECAUCIÓN:

- Asegúrese de que la empuñadura no pueda ser bajada sin empujar hacia la izquierda la palanca cercana a la empuñadura.
- Asegúrese de que el protector de disco inferior A no se abra a menos que la palanca cercana a la empuñadura sea empujada a la posición máxima superior de la empuñadura.
- Asegúrese de que el protector de disco inferior C está instalado antes de utilizar la herramienta en el modo de sierra ingletadora.

Si baja la empuñadura al mismo tiempo que empuja la palanca hacia la izquierda, el protector de disco inferior A se elevará automáticamente. El protector de disco inferior B se eleva al hacer contacto con la pieza de trabajo. Los protectores de disco inferiores se accionan por resorte por lo que retornarán a su posición original cuando se complete el corte y se suba la empuñadura. El protector de disco superior quedará plano sobre la superficie de la mesa después de que la pieza de trabajo haya pasado por debajo de él. **NO ANULE NI QUITE NUNCA LOS PROTECTORES DE DISCO INFERIORES, EL RESORTE QUE HAY EN EL PROTECTOR DE DISCO INFERIOR NI EL PROTECTOR DE DISCO SUPERIOR** excepto en el caso de la nota de abajo.

Por su propia seguridad personal, mantenga cada protector de disco siempre en buena condición. Cualquier operación irregular de los protectores de disco deberá ser corregida inmediatamente. Compruebe para asegurarse de que los protectores de disco inferiores retornan accionados por resorte. **NO UTILICE NUNCA LA HERRAMIENTA SI EL PROTECTOR DE DISCO INFERIOR, EL RESORTE O EL PROTECTOR DE DISCO SUPERIOR ESTÁN DAÑADOS, DEFECTUOSOS O HAN SIDO QUITADOS** excepto en el caso de la nota de abajo. **HACER ESTO ES MUY PELIGROSO Y PUEDE OCASIONAR HERIDAS PERSONALES GRAVES.**

NOTA:

- Los protectores podrán quitarse únicamente en los siguientes casos. Solamente cuando la herramienta sea utilizada en el modo de sierra de mesa podrá quitarse el protector de disco inferior C. Solamente cuando la herramienta sea utilizada en el modo de sierra ingletadora podrá quitarse el protector de disco superior.

Si cualquiera de estos protectores de disco transparentes se ensucia, o si se adhiere a él serrín de tal forma que no pueda verse fácilmente el disco, desenchufe la herramienta y limpie los protectores cuidadosamente con un paño húmedo. No utilice disolventes ni productos de limpieza a base de petróleo para limpiar el protector de plástico.

Si el protector de disco inferior A está especialmente sucio y no se ve bien a través del mismo, proceda de la forma siguiente. Suba completamente la empuñadura. Desmonte el disco de sierra (Consulte la sección "Instalación o desmontaje del disco de sierra"). Suba el protector de disco inferior A mientras empuja la palanca hacia la izquierda. Con el protector de disco inferior A en esta posición, la limpieza puede hacerse de forma más completa y eficiente. Cuando haya completado la limpieza, realice el procedimiento de arriba a la inversa y apriete el perno.

Si es el protector de disco superior el que está muy sucio, empuje hacia dentro el botón de su parte delantera a ras con la superficie y quite el protector de disco superior. Después de limpiarlo, reinstálelo siempre firmemente.

Si cualquiera de estos protectores de disco se decoloran con el paso del tiempo o la exposición a luz ultravioleta, póngase en contacto con un centro de servicio Makita para adquirir uno nuevo. **NO ANULE NI QUITE LOS PROTECTORES.**

Mantenimiento de la máxima capacidad de corte (Fig. 7)

Esta herramienta se ajusta en fábrica para lograr su capacidad de corte máxima con un disco de sierra de 260 mm.

Cuando instale un disco nuevo, compruebe siempre la posición límite inferior del disco, y si es necesario, ajústela de la forma siguiente:

PRECAUCIÓN:

- Cuando vaya a hacer este ajuste, desenchufe la herramienta.

En primer lugar, desenchufe la herramienta. Baje la empuñadura completamente. Gire el perno de ajuste con la llave hasta que la periferia del disco quede ligeramente por debajo de la parte superior de la mesa giratoria en el punto de intersección de la cara delantera de la guía lateral con la parte superior de la mesa giratoria.

Con la herramienta desenchufada, gire el disco con la mano a la vez que sujeta la empuñadura bajada completamente para asegurarse de que el disco no hace contacto con ninguna parte de la base inferior. Reajuste ligeramente, si es necesario.

PRECAUCIÓN:

- Después de instalar un disco nuevo, asegúrese siempre de que el disco no haga contacto con ninguna parte de la base inferior cuando la empuñadura sea bajada completamente. Haga esto siempre con la herramienta desenchufada.

Esta herramienta puede utilizarse con o sin el límite inferior cambiando de posición el tope de límite inferior como se muestra en la figura. (Fig. 8)

Para utilizar la herramienta sin el límite inferior, gire el extremo del tope en sentido contrario a las manecillas del reloj. Esta posición es apropiada para cortar una pieza de trabajo ancha y fina.

Para utilizar la herramienta con el límite inferior, mueva el extremo del tope en sentido de las manecillas del reloj. Esta posición es apropiada para cortar una pieza de trabajo gruesa.

Ajuste del ángulo de inglete (Fig. 9 y 10)

Afloje el tornillo de apriete de la guía lateral girándolo en sentido contrario a las manecillas del reloj. Gire la mesa giratoria con la empuñadura. Cuando haya movido la empuñadura a la posición donde el puntero apunta al ángulo deseado en la escala de inglete, apriete firmemente el tornillo de apriete en sentido de las manecillas del reloj.

PRECAUCIÓN:

- Cuando vaya a girar la mesa giratoria, asegúrese de subir la empuñadura completamente.
- Después de cambiar el ángulo de inglete, sujete siempre la mesa giratoria apretando el tornillo de apriete firmemente.

Ajuste del ángulo de bisel (Fig. 11 y 12)

En el modo de sierra ingletadora

Para ajustar el ángulo de bisel, afloje la palanca de la parte trasera de la herramienta en sentido contrario a las manecillas del reloj.

Empuje la empuñadura hacia la izquierda para inclinar el disco de sierra hasta que el puntero apunte al ángulo deseado en la escala de bisel. Después apriete la palanca en sentido de las manecillas del reloj firmemente para sujetar el brazo.

PRECAUCIÓN:

- Cuando vaya a inclinar el disco de sierra, asegúrese de subir la empuñadura completamente.
- Después de cambiar el ángulo de bisel, sujete siempre el brazo apretando la palanca en sentido de las manecillas del reloj.

En el modo de sierra de mesa (Fig. 13)

Para ajustar el ángulo de bisel, afloje la palanca de debajo de la mesa en la parte delantera de la herramienta en sentido contrario a las manecillas del reloj.

Mueva la manija de ajuste de la profundidad de corte hacia la izquierda para inclinar el disco de sierra hasta que el puntero apunte al ángulo deseado en la escala de bisel. Después apriete la palanca en sentido de las manecillas del reloj para sujetar el brazo.

Accionamiento del interruptor (Fig. 14)

Interruptor para el modo de sierra ingletadora

PRECAUCIÓN:

- Antes de enchufar la herramienta, compruebe siempre para cerciorarse de que la palanca del interruptor se acciona debidamente y que vuelve a la posición "OFF" cuando lo suelta.
- Cuando no esté utilizando la herramienta, quite el botón de desbloqueo y guárdelo en un lugar seguro. Esto evitará que alguien use la herramienta sin autorización.
- No apriete la palanca del interruptor con fuerza sin presionar el botón de desbloqueo. Esto podrá ocasionar la rotura del interruptor.

Para evitar que la palanca del pueda accionarse accidentalmente, se ha provisto un botón de desbloqueo. Para poner en marcha la herramienta, empuje la palanca hacia la izquierda, presione hacia dentro el botón de desbloqueo y apriete la palanca del interruptor. Suelte la palanca del interruptor para parar.

Interruptor para el modo de sierra de mesa

PRECAUCIÓN:

- Antes de la operación, asegúrese de que la herramienta se enciende y apaga.

Para poner en marcha la herramienta, presione el botón ON (I). Para pararla, presione el botón OFF (O).

Ajuste de la profundidad de corte (Fig. 15)

La profundidad de corte puede ajustarse girando la manija de ajuste de la profundidad de corte. Gire la manija de ajuste de la profundidad de corte en sentido de las manecillas del reloj para subir el disco o en sentido contrario a las manecillas del reloj para bajarlo.

ADVERTENCIA:

- Utilice un ajuste de poca profundidad cuando corte materiales finos para obtener un corte más limpio.

PRECAUCIÓN:

- El pasador de retención no puede girarse con el cabezal de la herramienta en la posición completamente bajada. En tal caso, gire la manija en sentido contrario a las manecillas del reloj ligeramente y podrá soltar el pasador de retención. (Fig. 16)

Protector de sobrecarga

- Para herramientas con suministro de corriente de 200 V o más solamente. Consulte la placa de características de la herramienta para ver la tensión nominal.

- Cuando la carga en la herramienta exceda niveles excesivos, se reducirá la potencia del motor para proteger el motor contra el recalentamiento. Cuando la carga retorna a niveles admisibles, la herramienta funciona de modo normal.

MONTAJE

PRECAUCIÓN:

- Asegúrese siempre de que la herramienta esté apagada y desenchufada antes de realizar cualquier trabajo en ella.

Almacenamiento de la llave hexagonal (Fig. 17)

La llave hexagonal se almacena como se muestra en la figura. Cuando quiera utilizar la llave hexagonal, extráigala del portallaves. Después de utilizar la llave hexagonal, póngala otra vez en el portallaves.

Dos formas de montaje según altura de mesa

La mesa puede montarse de dos formas: mesa alta o mesa baja.

ADVERTENCIA:

- Antes de tumbar hacia atrás la herramienta, póngala siempre en el modo de sierra ingletadora y bloquee el cabezal en la posición más baja.

1. Montaje como mesa alta (Fig. 18)

Para montar la herramienta con la mesa alta, haga lo siguiente.

- (1) Tumbé HACIA ATRÁS la herramienta con cuidado sin dejarla caer sujetándola con ambas manos.
- (2) Gire el gancho en el sentido de la flecha como se muestra en la figura para desplegar las patas. Abra las patas de un lado de la mesa y empuje la barra inferior de las patas completamente hacia delante para autobloquearla. Realice el mismo procedimiento para las patas del lado opuesto. Asegúrese de que las patas de ambos lados estén completamente bloqueadas.

ADVERTENCIA:

- Asegúrese de que los ganchos de retención estén perfectamente posicionados en la ranura del soporte.

- (3) Vuelva a poner la herramienta en posición vertical.

2. Montaje como mesa baja (Fig. 19)

Las patas pueden plegarse como se muestra en la figura. Para montar la herramienta con la mesa baja, haga lo siguiente.

- (1) Tumbé HACIA ATRÁS la herramienta con cuidado sin dejarla caer sujetándola con ambas manos.
- (2) En primer lugar tire del retén de la unión de las patas izquierdas hacia usted para desbloquearlo.
- (3) Realice los mismos pasos que para las patas opuestas de arriba.
- (4) Utilice un gancho para recoger estas patas.
- (5) Vuelva a poner la herramienta en posición vertical.

Instalación o desmontaje del disco de sierra

PRECAUCIÓN:

- Asegúrese siempre de que la herramienta esté apagada y desenchufada antes de instalar o desmontar el disco.
- Utilice solamente la llave hexagonal Makita provista para instalar o desmontar el disco. De lo contrario, el perno de cabeza hueca hexagonal podrá quedar excesiva o insuficientemente apretado. Esto podría ocasionarle heridas.

Levante la empuñadura a la posición completamente elevada.

Presione el bloqueo del eje para bloquear el eje y utilice la llave hexagonal para aflojar el perno de cabeza hueca hexagonal en sentido de las manecillas del reloj. (Fig. 20)

Suba el protector de disco A con su palanca de elevación a la vez que empuja hacia la izquierda la palanca cercana a la empuñadura. Con el protector de disco A elevado, quite el perno de cabeza hueca hexagonal, la brida exterior y el disco. (Fig. 21)

Para instalar el disco, móntelo con cuidado en el eje, asegurándose de que la dirección de la flecha en la superficie del disco coincide con la dirección de la flecha en la caja del disco. Instale la brida exterior y perno de cabeza hueca hexagonal, y después apriete el perno de cabeza hueca hexagonal (rosca hacia la izquierda) firmemente en sentido contrario a las manecillas del reloj utilizando la llave hexagonal a la vez que presiona el bloqueo del eje. (Fig. 22 y 23)

NOTA:

- Cuando instale el disco de sierra, asegúrese de insertarlo primero entre el protector de disco B y después levántelo de tal forma que finalmente quede colocado en el protector de disco B.

PRECAUCIÓN:

- El anillo de 25,4 mm o 30 mm de diámetro exterior se instala en fábrica en el eje. Antes de montar el disco en el eje, asegúrese siempre de que esté instalado en el eje el anillo correcto para el agujero del disco que vaya a utilizar. (Fig. 24)

Devuelva el protector de disco inferior A a su posición original. Baje la empuñadura para asegurarse de que los protectores de disco inferiores se mueven debidamente. Asegúrese de que el bloqueo del eje ha liberado el eje antes de hacer el corte.

Ajuste del abridor

Entre el abridor y los dientes del disco deberá haber un espacio de unos 5 – 6 mm cuando el abridor sea empujado completamente hacia del disco. Ajuste el abridor en conformidad aflojando primero la tuerca de fijación a mano y después el perno de cabeza hueca hexagonal con la llave hexagonal en sentido contrario a las manecillas del reloj y midiendo la distancia. Después de ajustar, apriete firmemente primero el perno de cabeza hueca hexagonal y después la tuerca de fijación en sentido de las manecillas del reloj. Compruebe siempre para asegurarse de que el abridor está sujeto y que el protector de disco superior funciona suavemente antes de cortar. (Fig. 25 y 26)

El abridor ha sido instalado en fábrica de tal forma que tras el sencillo montaje hecho por usted el disco y el abridor queden en línea recta. Consulte la sección titulada "Reposición del abridor" para hacer el montaje. (Fig. 27)

PRECAUCIÓN:

- Si el disco y el abridor no están alineados debidamente, podrá producirse una peligrosa condición de aprisionamiento durante la operación. Asegúrese de que el abridor esté situado entre ambos extremos exteriores de los dientes del disco visto desde arriba. Si utiliza la herramienta sin el abridor debidamente alineado podrá sufrir graves heridas personales. Si por alguna razón no están alineados, pida siempre a un centro de servicio Makita que se la reparen.

- Cuando ajuste el espacio del abridor respecto a los dientes del disco, afloje siempre el perno de cabeza tuerca hexagonal sólo después de haber aflojado la tuerca de fijación.

Instalación y ajuste de la guía de corte al hilo (Fig. 28)

1. Instale la guía de corte al hilo en la mesa de tal forma que el soporte de la guía de corte al hilo se acople con el carril guía. Apriete el tornillo de apriete (B) de la guía de corte al hilo firmemente en sentido de las manecillas del reloj.
2. Afloje el tornillo de apriete (A).
3. Deslice la guía de corte al hilo y sujétela de tal forma que el extremo lejano desde usted de la guía de corte al hilo esté alineado con el punto en el que el borde delantero del disco aparece justamente por la parte superior de la pieza de trabajo. El propósito de este ajuste es reducir el riesgo de un retroceso brusco hacia el operario al quedarse aprisionado el trozo de madera cortado de la pieza de trabajo entre el disco y la guía de corte al hilo y finalmente expulsado hacia el operario. La línea (A) variará según el grosor de la pieza de trabajo o el nivel de la mesa. Ajuste la posición de la guía de corte al hilo de acuerdo con el grosor de la pieza de trabajo. Después de ajustar la guía de corte al hilo, apriete el tornillo de apriete (A) firmemente. (Fig. 29)

NOTA:

- En la figura se muestran los cuatro patrones que hay para poner la guía de corte al hilo. La guía de corte al hilo tiene dos hendiduras en sus costados, una hendidura con un borde elevado cerca en el mismo lado y la otra sin él. Utilice la superficie de la guía de corte al hilo con este borde encarado hacia la pieza de trabajo solamente cuando corte un trozo de una pieza de trabajo fina.
- Para cambiar el patrón de la guía de corte al hilo, quite la guía de corte al hilo del soporte de la guía de corte al hilo aflojando el tornillo de apriete (A) y cambie el encaramiento de la guía de corte al hilo hacia el soporte de la guía de corte al hilo de tal forma que la guía de corte al hilo quede encarada hacia el soporte de la guía de corte al hilo de acuerdo con su tarea como se muestra en la figura. Inserte la tuerca cuadrada del soporte de la guía de corte al hilo en el extremo trasero de una de las hendiduras de la guía de corte al hilo de tal forma que encajen como se muestra en la figura.

Para cambiar el patrón A o B al patrón C o D, o al contrario, quite la tuerca cuadrada y el tornillo de apriete (A) del soporte de la guía de corte al hilo, después ponga el tornillo de apriete (A) y la tuerca cuadrada en la posición opuesta al soporte de la guía de corte al hilo en comparación con la posición original. Apriete el tornillo de apriete (A) firmemente después de insertar la tuerca cuadrada del soporte de la guía de corte al hilo en la hendidura de la guía de corte al hilo. Inserte la tuerca cuadrada del soporte de la guía de corte al hilo en el extremo trasero de una de las hendiduras de la guía de corte al hilo de tal forma que encajen como se muestra en la figura. (Fig. 30 y 31)

La guía de corte al hilo sale ajustada de fábrica paralela a la superficie del disco. Asegúrese de que está paralela. Para comprobar y asegurarse de que la guía de corte al hilo está paralela al disco, ajuste la altura del disco con la manija de ajuste de la profundidad de corte de tal forma que el disco sobresalga de la mesa lo máximo posible. Marque uno de los dientes del disco con una tiza. Mida las distancias (A) y (B) entre la guía de corte al hilo y el disco. Tome ambas medidas utilizando el diente marcado con la tiza. Estas dos medidas deberán ser idénticas. Si la guía de corte al hilo no está paralela al disco, proceda de la forma siguiente: (Fig. 32 y 33)

- (1) Gire el tornillo de ajuste en sentido contrario a las manecillas del reloj.
- (2) Mueva el borde trasero de la guía de corte al hilo ligeramente hacia la derecha o izquierda hasta que quede paralela al disco.
- (3) Apriete el tornillo de ajuste de la guía de corte al hilo firmemente.

PRECAUCIÓN:

- Asegúrese de ajustar la guía de corte al hilo de tal forma que quede paralela al disco o podrá producirse un peligroso retroceso brusco.
- Asegúrese de ajustar la guía de corte al hilo de tal forma que no haga contacto con el protector de disco superior ni el disco. (Fig. 34)
- No reubique ni transporte la herramienta cogiéndola por la guía de corte al hilo.
- Si levanta la guía de corte al hilo instalada o ejerce fuerza sobre ella hacia la derecha o izquierda con la mano agarrándola por su extremo superior podrá dañarla y deteriorar su función.

Instalación y ajuste del graduador de inglete (Fig. 35)

Instale el graduador de inglete insertando su eje en una de las dos ranuras de la mesa desde la parte delantera. Según la tarea que quiera realizar, en el graduador de inglete puede instalarse una guía del graduador de inglete que también se emplea como guía de corte al hilo.

Bolsa de polvo

La utilización de la bolsa de polvo permite realizar operaciones de corte limpias y recoger fácilmente el polvo. Para colocar la bolsa de polvo, encájela en la boquilla de polvo. (Fig. 36)

Cuando la bolsa de polvo esté medio llena, quítela de la herramienta y extraiga el cierre. Vacíe la bolsa de polvo golpeándola ligeramente con objeto de extraer las partículas adheridas en el interior para que no impidan la posterior recogida de polvo. (Fig. 37)

Si conecta un aspirador a su sierra, podrá realizar operaciones más eficaces y limpias. (Fig. 38)

Codo (Fig. 39)

PRECAUCIÓN:

- Oriente la abertura de descarga del codo en la dirección en la que el polvo y las virutas no salgan expulsados hacia la herramienta ni hacia las personas que haya en el área de trabajo.

Coloque el codo cuando quiera cambiar la dirección del polvo expulsado.

Sujeción de la pieza de trabajo

ADVERTENCIA:

- Es sumamente importante que sujete siempre la pieza de trabajo correcta y firmemente con la mordaza. En caso de no hacerlo podrá ocasionar daños a la herramienta y/o echar a perder la pieza de trabajo. TAMBIÉN PODRÁ SUFRIR HERIDAS PERSONALES. Además, después de la operación de corte, NO suba el disco hasta que se haya parado completamente.

Guía secundaria (Fig. 40)

La guía secundaria se puede instalar en la guía lateral. Cuando realice cortes en bisel izquierdo, o corte en el modo de sierra de mesa (modo sierra de banco), retire la guía secundaria.

PRECAUCIÓN:

- Cuando realice cortes en bisel izquierdo, o corte en el modo de sierra de mesa (modo sierra de banco), retire la guía secundaria. De lo contrario, entrará en contacto con el disco o con una parte de la herramienta, ocasionando posibles heridas graves al operario.

Mordaza vertical (Fig. 41)

La mordaza vertical puede instalarse en dos posiciones tanto en el lado izquierdo como en el derecho de la guía lateral. Inserte la barra de mordaza en el agujero de la guía lateral y apriete el tornillo de apriete para sujetar la barra de mordaza.

Posicione el brazo de mordaza de acuerdo con el grosor y forma de la pieza de trabajo y sujete el brazo de mordaza apretando el tornillo de apriete. Si el tornillo que sujeta el brazo de mordaza toca la guía lateral, instale el tornillo de apriete en el lado opuesto del brazo de mordaza. Asegúrese de que ninguna parte de la herramienta haga contacto con la mordaza cuando baje la empuñadura a tope. Si alguna parte toca la mordaza, reposicione la mordaza.

Presione la pieza de trabajo a ras contra la guía lateral y la mesa giratoria. Ponga la pieza de trabajo en la posición de corte deseada y sujétela firmemente apretando la manija de la mordaza.

PRECAUCIÓN:

- La pieza de trabajo deberá estar firmemente sujeta contra la mesa giratoria y la guía lateral.

Montaje de la herramienta en el modo de sierra de mesa

PRECAUCIÓN:

- Antes de utilizar la herramienta en el modo de sierra de mesa, asegúrese de que la mesa giratoria ha sido fijada a 0° de ángulo de inglete con el tornillo de apriete de la guía lateral.
- Antes de utilizar la herramienta en el modo de sierra de mesa, asegúrese de que el cabezal ha sido sujetado con la palanca.
- Antes de utilizar la herramienta en el modo de sierra de mesa, asegúrese de que el abridor ha sido sujetado correctamente en su sitio.
- Antes de utilizar la herramienta en el modo de sierra de mesa, quite el protector de disco inferior C.
- En el modo de sierra de mesa, suelte el tope de límite inferior.

La herramienta sale de fábrica montada en el modo de sierra ingletadora. Antes de utilizar la herramienta en el modo de sierra de mesa, cambie el montaje y siga el procedimiento de abajo.

1. Sujeción de la mesa giratoria (Fig. 42)

Para sujetar la mesa giratoria, apriete firmemente el tornillo de apriete de la guía lateral a 0° de ángulo de inglete.

2. Sujeción del cabezal de la herramienta (Fig. 43)

Sujete el cabezal de la herramienta apretando la palanca en el sentido de la flecha como se muestra en la figura.

3. Liberación del tope de límite inferior (Fig. 44)

Asegúrese de que el extremo del tope de límite inferior está en la posición A indicada en la figura. Gire el extremo del tope de límite inferior en sentido contrario a las manecillas del reloj hasta la posición A cuando esté puesto en la posición B.

4. Reposición del abridor (Fig. 45)

La posición (Fig. 45-A) debe ser cambiada de la forma siguiente.

- (1) Afloje la tuerca de fijación. (Fig. 45-B)
- (2) Tire del abridor y pivótelos a la posición de ángulo de 90° en el sentido de la flecha. (Fig. 45-C) Y empújelo ligeramente hacia dentro de tal forma que quede inmovilizado en esta posición.
- (3) Suba completamente el protector de disco inferior A a mano utilizando su lengüeta a la vez que empuja la palanca cercana a la empuñadura hacia la izquierda, y después suelte la palanca. (Fig. 45-D)
- (4) Empuje el abridor en el sentido de la flecha (consulte la Fig. 45-E) de tal forma que quede alineado con el disco de sierra.
- (5) Después de empujar el abridor en el sentido de la flecha mostrada en la figura, suelte el protector de disco inferior A.
- (6) Después de alinear el abridor, apriete la tuerca de fijación firmemente (consulte la Fig. 45-F).

5. Desmontaje del protector de disco inferior C (Fig. 46)

Desmonte el protector de disco inferior C de la mesa aflojando el tornillo de apriete.

6. Bloqueo del cabezal de la herramienta en la posición completamente bajada (Fig. 47 y 48)

Después de colocar el abridor en su sitio para el modo de sierra de mesa, tire del pasador de retención en el sentido de la flecha A y gírelo 90° en el sentido de la flecha B con el pasador sacado. Después baje la empuñadura para bloquear el cabezal de la herramienta.

PRECAUCIÓN:

- Cuando el cabezal de la herramienta no pueda ser bloqueado en la posición completamente bajada, gire la manija del ajuste de profundidad varias vueltas en sentido de las manecillas del reloj.
- Antes de dar la vuelta a la herramienta, asegúrese siempre de que el pasador de retención haya bloqueado firmemente el cabezal de la herramienta en la posición más baja.

7. Para voltear la herramienta (Fig. 49)

ADVERTENCIA:

- Asegúrese de que la herramienta está apagada y desenchufada antes de voltearla.

- Cuando vaya a empujar hacia abajo la palanca, asegúrese de poner la mano/dedo alejado del área de encuentro de la palanca-mesa. Agarre la mesa por el borde del centro con una mano, empuje la palanca hacia abajo con la otra mano a la vez que sujeta firmemente el borde de la mesa y pivote la mesa con cuidado para voltearla. Siga sujetando hasta que se bloquee.

8. Instalación del protector de disco superior (Fig. 50)

Empuje el pulsador del protector de disco superior hasta su superficie lateral y póngalo en la muesca del abridor mientras lo empuja, luego suéltelo. Después de soltar el pulsador, asegúrese de que el protector de disco superior está sujeto intentando sacarlo.

PRECAUCIÓN:

- Después de instalar el protector de disco superior, asegúrese de que funciona suavemente.

Montaje de la herramienta en el modo de sierra ingletadora (Fig. 51)

ADVERTENCIA:

- Asegúrese de instalar el protector de disco inferior C antes de utilizar la herramienta en el modo de sierra ingletadora.

Para cambiar el montaje del modo de sierra de mesa al modo de sierra ingletadora, realice a la inversa el procedimiento de la sección titulada "Montaje de la herramienta en el modo de sierra de mesa".

1. Desmontaje del protector de disco superior

Empuje el pulsador del protector de disco superior hasta su superficie lateral y después simplemente saque el protector de disco superior hacia arriba con el pulsador empujado.

2. Instalación del protector de disco inferior C

Ponga el protector de disco inferior C en la mesa de tal forma que encaje en la ranura de la mesa y apriete el tornillo de apriete firmemente.

3. Para voltear la herramienta

Consulte la sección que lleva el mismo título en "Montaje de la herramienta en el modo de sierra de mesa".

4. Liberación del cabezal de la posición completamente bajada

Mientras sujeta la empuñadura, tire del pasador de retención en el sentido de la flecha A, gírelo 90° en el sentido de la flecha B mientras lo mantiene sacado y después suba la empuñadura poco a poco.

5. Reposición del abridor (Fig. 52)

La posición del abridor (Fig. 52-A) deberá cambiarse de la forma siguiente.

- (1) Afloje la tuerca de fijación y sujete el protector de disco inferior A agarrando su lengüeta con la mano. (Fig. 52-B)
- (2) Mientras sujeta el protector de disco inferior A, tire del abridor de tal forma que pueda girarlo y pivótelo en el sentido de la flecha hasta ponerlo en posición. (Fig. 52-C)
- (3) Con el abridor sujetado en esa posición, vuelva a poner el protector de disco inferior A en su posición original y apriete la tuerca de fijación firmemente. (Fig. 52-D y E)

OPERACIÓN

PRECAUCIÓN:

- Antes de utilizar la herramienta, asegúrese de liberar la empuñadura de la posición bajada tirando del pasador de retención y girándolo 90°.
- Asegúrese de que el disco no esté haciendo contacto con la pieza de trabajo, etc., antes de activar el interruptor.

PARA CORTAR COMO SIERRA INGLETADORA

ADVERTENCIA:

- Asegúrese de que el protector de disco inferior C está instalado antes de utilizar la herramienta en el modo de sierra ingletadora.

PRECAUCIÓN:

- No ejerza presión excesiva en la empuñadura cuando corte. Una fuerza excesiva podrá resultar en una sobrecarga del motor y/o reducir la eficacia de corte. Empuje hacia abajo la empuñadura con la fuerza únicamente necesaria para cortar suavemente y sin reducir significativamente la velocidad del disco.
- Presione hacia abajo suavemente la empuñadura para realizar el corte. Si presiona hacia abajo la empuñadura con fuerza o si ejerce fuerza lateral, el disco vibrará y dejará una marca (marca de sierra) en la pieza de trabajo y se deteriorará la precisión del corte.

1. Corte por presión (Fig. 53)

Sujete la pieza de trabajo contra la guía lateral y mesa giratoria. Encienda la herramienta sin que el disco esté tocando nada y espere hasta que el disco adquiera plena velocidad antes de bajarlo. Después baje suavemente la empuñadura hasta la posición totalmente bajada para cortar la pieza de trabajo. Cuando haya completado el corte, apague la herramienta y ESPERE HASTA QUE EL DISCO SE HAYA PARADO COMPLETAMENTE antes de devolver el disco a su posición completamente elevada.

2. Corte en inglete

Consulte la sección "Ajuste del ángulo de inglete" explicada más atrás.

3. Corte en bisel (Fig. 54)

Afloje la palanca e incline el disco para establecer el ángulo de bisel (Consulte la sección "Ajuste del ángulo de bisel" explicada más atrás). Asegúrese de apretar la palanca firmemente para sujetar de forma segura el ángulo de bisel seleccionado. Sujete la pieza de trabajo contra la guía lateral y mesa giratoria. Encienda la herramienta sin que el disco esté tocando nada y espere hasta que el disco adquiera plena velocidad. Después baje suavemente la empuñadura hasta la posición completamente bajada aplicando presión paralela al disco. Cuando haya completado el corte, apague la herramienta y ESPERE HASTA QUE EL DISCO SE HAYA PARADO COMPLETAMENTE antes de devolver el disco a su posición completamente elevada.

PRECAUCIÓN:

- Asegúrese siempre de que el disco se moverá hacia abajo en la dirección del bisel durante un corte en bisel. Mantenga las manos alejadas de la trayectoria del disco.

- Durante un corte en bisel, podrá crearse una condición en la que la pieza cortada quede apoyada contra el costado del disco. Si sube el disco mientras aún está girando, esta pieza podrá ser pillada por el disco, haciendo que salgan despedidos fragmentos que pueden resultar peligrosos. El disco SOLAMENTE deberá ser subido después de que se haya parado completamente.
- Cuando presione hacia abajo la empuñadura, ejerza presión paralela al disco. Si la presión no es paralela al disco durante el corte, el ángulo del disco podrá cambiar y la precisión del corte se deteriorará.
- Retire siempre la guía secundaria cuando realice cortes en bisel izquierdo.

4. Corte compuesto

El corte compuesto es el procedimiento en el que se hace un ángulo de bisel al mismo tiempo que se corta un ángulo de inglete en una pieza de trabajo. El corte compuesto puede realizarse en los ángulos mostrados en la tabla.

Ángulo de bisel	Ángulo de inglete
45°	Izquierdo y derecho 0 – 45°

006366

Cuando quiera realizar un corte compuesto, consulte las explicaciones de "Corte por presión", "Corte en inglete" y "Corte en bisel".

5. Corte de extrusión de aluminio (Fig. 55)

Cuando sujete extrusiones de aluminio, utilice bloques espaciadores o trozos de madera de desecho como se muestra en la figura para evitar la deformación del aluminio. Cuando corte extrusiones de aluminio utilice un lubricante para herramientas de corte para evitar la acumulación de material de aluminio en el disco.

PRECAUCIÓN:

- No intente nunca cortar extrusiones de aluminio gruesas o redondas. Las extrusiones de aluminio gruesas pueden aflojarse durante la operación y las extrusiones de aluminio redondas no pueden sujetarse firmemente con esta herramienta.
- No corte nunca aluminio en el modo de sierra de mesa (modo sierra de banco).

PARA CORTAR COMO SIERRA DE MESA (MODO SIERRA DE BANCO)

PRECAUCIÓN:

- Utilice siempre "elementos de ayuda" como listones de empuje y bloques de empuje cuando haya peligro de que sus manos o dedos vayan a acercarse al disco.
- Sujete siempre firmemente la pieza de trabajo con la mesa y la guía de corte al hilo. No la tuerza ni retuerza mientras la avanza. Si tuerce o retuerce la pieza de trabajo, podrá producirse un peligroso retroceso brusco.
- No retire NUNCA la pieza de trabajo mientras el disco esté girando. Si tiene que retirar la pieza de trabajo antes de completar un corte, primero apague la herramienta mientras sujeta la pieza de trabajo firmemente. Espere hasta que el disco se haya parado completamente antes de retirar la pieza de trabajo. En caso contrario podrá ocasionar peligrosos retrocesos bruscos.
- No retire NUNCA material de recortes mientras el disco esté girando.
- No ponga NUNCA las manos ni los dedos en la trayectoria del disco.
- Sujete siempre la guía de corte al hilo firmemente, o podrán producirse peligrosos retrocesos bruscos.

- Utilice siempre "elementos de ayuda" como listones de empuje y bloques de empuje cuando corte piezas de trabajo pequeñas o estrechas, o cuando la cabeza esté oculta durante el corte.
- Cuando corte en el modo de sierra de mesa (modo sierra de banco), retire la guía secundaria.

Elementos de ayuda

Los listones de empuje, bloques de empuje y guía auxiliar son tipos de "elementos de ayuda". Utilícelos para hacer cortes sin peligro y seguros sin necesidad de tener que acercarse alguna parte del cuerpo al disco.

Bloque de empuje (Fig. 56)

Utilice una pieza de madera contrachapada de 19 mm. La empuñadura deberá estar en el centro de la pieza de madera contrachapada. Sujete con cola y tornillos para madera como se muestra. A la madera contrachapada deberá ir pegada siempre una pequeña pieza de madera de 9,5 mm x 8 mm x 50 mm para evitar que el disco se embote en caso de cortar el bloque de empuje sin querer. (No utilice nunca clavos en el bloque de empuje).

Guía auxiliar (Fig. 57)

Haga la guía auxiliar con piezas de madera contrachapada de 9,5 y 19 mm.

Corte al hilo

PRECAUCIÓN:

- Cuando corte al hilo, quite el graduador de inglete de la mesa.
 - Cuando corte piezas de trabajo largas o grandes, provea siempre apoyo adecuado detrás de la mesa. NO permita que un tablero largo se mueva o cambie de posición en la mesa. Ello hará que el disco se trabaje y aumentará la posibilidad de que se produzca un retroceso brusco y de sufrir heridas personales. El apoyo deberá estar a la misma altura que la mesa.
1. Ajuste la profundidad de corte a un poquito más que el grosor de la pieza de trabajo. Para hacer este ajuste, consulte la sección titulada "Ajuste de la profundidad de corte".
 2. Ponga la guía de corte al hilo a la anchura deseada del corte al hilo y sujétela apretando el tornillo de apriete (A). Antes de cortar al hilo, asegúrese de que los dos tornillos del soporte de la guía de corte al hilo estén bien sujetos. Si no están suficientemente sujetos, reapriételes.
 3. Encienda la herramienta y avance la pieza de trabajo suavemente hacia el disco a lo largo de la guía de corte al hilo.
- (1) Cuando la anchura del corte al hilo sea de 150 mm o más ancha, avance la pieza de trabajo con una mano con cuidado. Emplee la otra mano para sujetar la pieza de trabajo en posición contra la guía de corte al hilo. (Fig. 58)
 - (2) Cuando la anchura del corte al hilo sea de 65 mm – 150 mm, utilice el listón de empuje para avanzar la pieza de trabajo. (Fig. 59)
 - (3) Cuando la anchura del corte al hilo sea más estrecha de 65 mm, no podrá utilizarse el listón de empuje porque éste golpeará al protector de disco. Utilice la guía auxiliar y el bloque de empuje. Fije la guía auxiliar a la guía de corte al hilo con dos mordazas "C". (Fig. 60)

Avance la pieza de trabajo con la mano hasta que el final esté a unos 25 mm del borde delantero de la mesa superior. Continúe avanzando utilizando el bloque de empuje encima de la guía auxiliar hasta completar el corte. **(Fig. 61)**

Corte transversal

PRECAUCIÓN:

- Cuando quiera hacer un corte transversal, quite la guía de corte al hilo de la mesa.
- Cuando quiera cortar piezas de trabajo largas o grandes, provea siempre apoyo adecuado a los lados de la mesa. El apoyo deberá estar a la misma altura que la mesa.
- Mantenga siempre las manos alejadas de la trayectoria del disco.

Graduador de inglete (Fig. 62)

Utilice el graduador de inglete para los 4 tipos de corte mostrados en la figura.

PRECAUCIÓN:

- Sujete la manija del graduador de inglete con cuidado.
- Evite arrastrar la pieza de trabajo y gradúe mediante medios de sujeción firmes, especialmente cuando corte en ángulo.
- No sujete ni agarre NUNCA la porción resultante del corte de la pieza de trabajo.

Utilización del graduador de inglete (Fig. 63)

Deslice el graduador de inglete al interior de las ranuras gruesas de la mesa. Afloje la manija del graduador y alinéelo al ángulo deseado (0° a 60°). Coloque la madera a ras contra la guía y avance suavemente hacia el disco.

Guarnición de madera auxiliar (graduador de inglete) (Fig. 64)

Para evitar que un tablero largo bambolee, coloque una tabla a modo de guía auxiliar en el graduador de inglete. Taladre agujeros y sujétala con pernos/tuercas, pero éstos no deberán sobresalir de la cara de la tabla.

Transporte de la herramienta (Fig. 65)

Asegúrese de que la herramienta está desenchufada. Si la herramienta acaba de utilizarse en el modo de sierra ingletadora, sujete el disco a 0° de ángulo de bisel y la mesa giratoria a 0° de ángulo de inglete. Baje la empuñadura completamente y bloquéela en la posición bajada presionando completamente hacia dentro el pasador de retención.

Transporte la herramienta agarrándola por la parte mostrada en la figura. **(Fig. 66)**

PRECAUCIÓN:

- Sujete siempre todas las partes móviles antes de transportar la herramienta.
- Antes de transportar la herramienta, móntela siempre en el modo de sierra ingletadora.
- Asegúrese de que el protector de disco inferior C está instalado en la herramienta.

MANTENIMIENTO

PRECAUCIÓN:

- Asegúrese siempre de que la herramienta esté apagada y desenchufada antes de intentar realizar una inspección o mantenimiento.
- No utilice nunca gasolina, bencina, disolvente, alcohol o similares. Podría producir descoloración, deformación o grietas.

ADVERTENCIA:

- Asegúrese siempre de que el disco esté afilado y limpio para obtener el mejor y más seguro rendimiento.

Ajuste del ángulo de corte

Esta herramienta ha sido ajustada y alineada cuidadosamente en fábrica, pero un manejo brusco podrá haber afectado la alineación. Si su herramienta no está debidamente alineada, realice lo siguiente:

1. Ángulo de inglete

Los pernos de ajuste a 0° de ángulo de inglete están ubicados en cuatro posiciones.

Afloje los cuatro pernos de ajuste a 0° de ángulo de inglete girándolos en sentido contrario a las manecillas del reloj desde la parte inferior de la mesa.

(Fig. 67)

Baje la empuñadura completamente y bloquéela en la posición bajada tirando del pasador de retención y girándolo 90° en sentido de las manecillas del reloj. Escuadre el costado del disco con la cara de la guía lateral utilizando una escuadra, cartabón, etc. Después apriete firmemente los cuatro pernos de ajuste del brazo auxiliar desde la parte inferior de la mesa. Asegúrese de que el puntero apunta a 0° en la escala de inglete. En caso contrario, ajuste la posición del puntero aflojando el tornillo de sujeción del puntero. Después de ajustarlo, apriete el tornillo firmemente.

(Fig. 68)

2. Ángulo de bisel

(1) 0° de ángulo de bisel

Baje la empuñadura completamente y bloquéela en la posición bajada tirando del pasador de retención y girándolo 90° en sentido de las manecillas del reloj. Afloje la palanca de la parte trasera de la herramienta.

Gire, desde la parte inferior de la mesa, el perno de ajuste a 0° de ángulo de bisel del lado derecho del brazo auxiliar dos o tres vueltas en sentido contrario a las manecillas del reloj para inclinar el disco hacia la derecha. **(Fig. 69)**

Escuadre cuidadosamente el costado del disco con la parte superior de la mesa giratoria utilizando la escuadra, cartabón, etc., y girando el perno de ajuste a 0° de ángulo de bisel en sentido de las manecillas del reloj. **(Fig. 70)**

Asegúrese de que el puntero de la mesa giratoria apunte a 0° en la escala de bisel del brazo. Si el puntero no apunta a 0°, afloje el tornillo que sujeta el puntero y ajuste el puntero de tal forma que apunte a 0°.

(2) 45° de ángulo de bisel

Ajuste el ángulo de bisel a 45° solamente después de haber ajustado a 0° el ángulo de bisel. Para ajustar el ángulo de bisel a 45°, afloje la palanca e incline el disco completamente hacia la izquierda. Asegúrese de que el puntero del brazo apunte a 45° en la escala de bisel del brazo. Si el puntero no apunta a 45°, gire, desde la parte inferior de la mesa, el perno de ajuste a 45° del ángulo de bisel del lado izquierdo del brazo auxiliar hasta que el puntero apunte a 45°. **(Fig. 71)**

Reemplazo de las escobillas de carbón (Fig. 72 y 73)

ENG905-1

Extraiga e inspeccione las escobillas de carbón regularmente. Reemplácelas cuando se hayan gastado hasta la marca límite. Mantenga las escobillas de carbón limpias de forma que entren libremente en los portaescobillas. Deberán reemplazarse ambas escobillas de carbón al mismo tiempo. Utilice únicamente escobillas de carbón idénticas.

Utilice un destornillador para quitar los tapones portaescobillas. Extraiga las escobillas gastadas, inserte las nuevas y vuelva a fijar los tapones portaescobillas.

Después del uso

- Después de utilizar la herramienta, limpie las virutas y el polvo adherido a ella con un paño o similar para asegurar una larga vida de servicio. Mantenga los protectores de disco limpios de acuerdo con las indicaciones de la sección descrita más atrás titulada "Protector de disco". Lubrique las partes deslizantes con aceite para máquinas para evitar que se oxiden.

Para mantener la SEGURIDAD y FIABILIDAD del producto, las reparaciones, cualquier otro mantenimiento o ajuste deberán ser realizados en Centros de servicio autorizados de Makita, empleando siempre repuestos Makita.

ACCESORIOS OPCIONALES

PRECAUCIÓN:

- Estos accesorios o acoplamientos están recomendados para utilizar con la herramienta Makita especificada en este manual. El empleo de otros accesorios o acoplamientos conllevará un riesgo de sufrir heridas personales. Utilice los accesorios o acoplamientos solamente para su fin establecido.

Si necesita cualquier ayuda para conocer más detalles en relación con estos accesorios, pregunte al centro de servicio Makita local.

- Discos de sierra de acero y de carburo
- Mordaza vertical
- Llave hexagonal 6
- Bolsa de polvo
- Escuadra
- Cubierta contra el polvo (Protector de disco inferior C)
- Listón de empuje
- Conjunto de regla (Guía de corte al hilo)
- Graduador de inglete
- Chapa de fijación (3 piezas)
- Perno hexagonal (3 piezas)
- Codo
- Conjunto de cubierta superior (Protector de disco superior)

NOTA:

- Algunos elementos de la lista podrán estar incluidos en el paquete de la herramienta como accesorios estándar. Pueden variar de un país a otro.

Ruido

El nivel de ruido A-ponderado típico determinado de acuerdo con la norma EN61029:

Nivel de presión sonora (L_{pA}): 91 dB (A)

Nivel de potencia sonora (L_{WA}): 108 dB (A)

Error (K): 3 dB (A)

Póngase protectores en los oídos

ENG900-1

Vibración

El valor total de la vibración (suma de vectores triaxiales) determinado de acuerdo con la norma EN61029:

Emisión de vibración (a_h): 2,5 m/s² o menos

Error (K): 1,5 m/s²

ENG900-1

- El valor de emisión de vibración declarado ha sido medido de acuerdo con el método de prueba estándar y se puede utilizar para comparar una herramienta con otra.
- El valor de emisión de vibración declarado también se puede utilizar en una valoración preliminar de exposición.

ADVERTENCIA:

- La emisión de vibración durante la utilización real de la herramienta eléctrica puede variar del valor de emisión declarado dependiendo de las formas en las que la herramienta sea utilizada.
- Asegúrese de identificar medidas de seguridad para proteger al operario que estén basadas en una estimación de la exposición en las condiciones reales de utilización (teniendo en cuenta todas las partes del ciclo operativo tal como las veces cuando la herramienta está apagada y cuando está funcionando en vacío además del tiempo de gatillo).

ENH003-15

Para países europeos solamente

Declaración de conformidad CE

Makita declara que la(s) máquina(s) siguiente(s):

Designación de máquina:

Sierra reversible

Modelo N°/ Tipo: LF1000

Cumplen con las directivas europeas siguientes:
2006/42/CE

Están fabricadas de acuerdo con las normas o documentos normalizados siguientes:

EN61029

El archivo técnico de acuerdo con la norma 2006/42/CE está disponible en:

Makita, Jan-Baptist Vinkstraat 2, 3070, Bélgica

30.10.2014



Yasushi Fukaya
Director

Makita, Jan-Baptist Vinkstraat 2, 3070, Bélgica

Explicação geral

1	Porca de regulação	31	Suporte da chave	67	Braço do torno
2	Pé	32	Gancho	68	Botão do torno
3	Placa de fixação	33	Pé	69	Cabeça da serra presa na posição inferior
4	Perno hexagonal	34	Gancho de travagem	70	Área da alavanca para colocar a mão/dedos
5	Ranhuradas em forma de U	35	Perno de encaixe hexagonal	71	Partes para enganchar
6	Resguardo da lâmina inferior A	36	Bloqueio do veio	72	Torno (acessório)
7	Resguardo da lâmina inferior B	37	Alavanca de levantamento	73	Calço
8	Resguardo da lâmina inferior C (só utilizado no modo de serra de esquadria)	38	Lâmina da serra	74	Placa guia
9	Botão de pressão	39	Caixa da lâmina	75	Extrusões de alumínio
10	Faca de abrir	40	Seta	76	Face/extremidade paralela
11	Resguardo da lâmina superior (utilizado no modo de serra de mesa)	41	Falange exterior	77	Parafuso de madeira
12	Face superior da base giratória	42	Falange interior	78	Guie juntamente
13	Periferia da lâmina	43	Veio	79	Varão impulsor
14	Placa guia	44	Anel	80	Guia auxiliar
15	Travão do limite inferior	45	Porca de fixação	81	Bloco impulsor
16	Porca	46	Largura da lâmina	82	Corte em cruz
17	Perno de ajuste	47	Suporte da guia paralela	83	Corte de esquadria
18	Parafuso de fixação	48	Carril de guia	84	Corte de bisel
19	Pega	49	Parafuso de fixação (A)	85	Corte de esquadria composto (ângulos)
20	Mesa giratória	50	Parafuso de fixação (B)	86	Botão
21	Alavanca	51	Guia paralela	87	Parte da ferramenta a pegar durante o transporte
22	Botão de regulação da profundidade do corte	52	Linha a ser alinhada com: Linha (A)	88	Réguas triangulares
23	Interruptor no modo de serra de esquadria	53	Mesa superior	89	Perno de regulação de 0°
24	Interruptor no modo de serra de mesa	54	Peça de trabalho	90	Perno de regulação de 45°
25	Botão de segurança	55	Porca quadrada	91	Superfície superior da mesa giratória
26	Gatilho do interruptor	56	Escala	92	Braço
27	Botão ON	57	Parafuso de regulação	93	Escala de bisel
28	Botão OFF	58	Resguardo da lâmina superior	94	Ponteiro
29	Pino de bloqueio	59	Guia do calibrador de esquadria	95	Marca limite
30	Chave hexagonal	60	Calibrador de esquadria	96	Tampa do porta-escovas
		61	Entalhes	97	Chave de parafusos
		62	Bocal do pó		
		63	Saco do pó		
		64	Fecho		
		65	Cotovelo		
		66	Varão do torno		

ESPECIFICAÇÃO

Modelo	LF1000
Diâmetro da lâmina	260 mm
Espessura do corpo do disco	1,8 mm – 2,0 mm
Espessura da faca de abrir	2,2 mm
Diâmetro do orifício	
Para os países Europeus	30 mm
Capacidade max. de corte (A x L) com lâmina de 260 mm de diâmetro no modo de serra de esquadria.	

Ângulo de bisel	Ângulo de esquadria
	0°
0°	20 mm x 180 mm 68 mm x 155 mm
45° (esquerdo)	50 mm x 150 mm

Capacidade max. de corte a 90° no modo de serra de mesa (serra de bancada)	70 mm
Velocidade em vazio (min ⁻¹)	2.700
Tamanho da mesa (L x A)	500 mm x 555 mm
Dimensões (C x L x A1 (nota 1)/A2 (nota 2))	
no modo de serra de esquadria.....	660 mm x 650 mm x 1.220 mm / 800 mm
no modo de serra de bancada	660 mm x 650 mm x 1.060 mm / 845 mm
Peso líquido	36 kg
Classe de segurança.....	II/II

(Nota 1) A1: Altura até à cabeça da ferramenta

(Nota 2) A2: Altura até à mesa

- Devido ao nosso programa contínuo de pesquisa e desenvolvimento, as características indicadas neste documento estão sujeitas a alterações sem aviso prévio.
- As especificações podem variar de país para país.
- Peso de acordo com o Procedimento 01/2003 da EPTA (European Power Tool Association)

ENE061-1

Utilização a que se destina

Esta ferramenta foi concebida para cortes direitos e de esquadria em madeira. A ferramenta tanto pode ser usada no modo de serra de esquadria como no modo de serra de mesa, virando-a à volta do seu eixo.

ENF002-2

Alimentação

A ferramenta só deve ser ligada a uma fonte de alimentação com a mesma voltagem da indicada na placa de características, e só funciona com alimentação de corrente alterna monofásica. Tem um sistema de isolamento duplo e pode, por isso, utilizar tomadas sem ligação à terra.

GEA010-1

Avisos gerais de segurança para ferramentas eléctricas

⚠ AVISO! Leia todas os avisos de segurança e todas as instruções. O não cumprimento de todos os avisos e instruções pode originar choque eléctrico, incêndio e/ou ferimentos graves.

Guarde todos os avisos e instruções para futuras referências.

ENB094-6

AVISOS DE SEGURANÇA DA SERRA COMBINADA DE ESQUADRIA E BANCADA

TANTO PARA O MODO DE SERRA DE ESQUADRIA COMO MODO DE SERRA DE MESA (SERRA DE BANCADA):

1. Antes de utilizar a ferramenta, verifique cuidadosamente se a lâmina não está trincada ou deformada. Substituir imediatamente uma lâmina danificada.
2. Não utilize a serra sem resguardos e sem a faca de abrir instalados, especialmente depois de uma mudança de modo. Verifique se os resguardos da lâmina fecham bem antes de cada utilização. Não funcione com a serra se os resguardos da lâmina não se moverem livremente e se fecharem instantaneamente. Nunca fixe ou prenda os resguardos da lâmina na posição de abertos. Qualquer operação irregular dos resguardos da lâmina devem ser corrigidos imediatamente.
3. Utilize apenas lâminas de serra especificadas pelo fabricante e que estejam em conformidade com a EN847-1. A profundidade da ranhura do corte tem de ser mais grossa do que a faca de abrir e o corpo da lâmina tem de ser mais fino do que a faca de abrir.
4. Não utilize lâminas de serra fabricadas com aço de alta velocidade.
5. Use óculos de protecção.
6. Use protecção auditiva para reduzir o risco de perda auditiva.

7. Utilize luvas para manusear o disco de corte e materiais perigosos (os discos de corte devem ser transportados em um estojo sempre que possível).
8. Ligue a ferramenta a um equipamento de recolha de pó quando serra.
9. Guarde sempre o varão impulsor quando não o estiver a utilizar.
10. Mantenha o piso à volta do nível da ferramenta limpo e sem desperdício de material i.e. aparas e bocados cortados.
11. O operador deve ser adequadamente treinado na utilização, regulação e operação da ferramenta.
12. Pare e desligue a serra da ficha quando deixar a ferramenta sem supervisão.
13. Para reduzir o ruído emitido, certifique-se sempre de que a lâmina está afiada e limpa.
14. Utilize apenas discos de corte marcadas com uma velocidade máxima igual ou superior ao valor da velocidade sem carga marcada na ferramenta.
15. Não retire os recortes ou outras partes da peça de trabalho da área de corte enquanto a ferramenta está a funcionar com uma disco de corte sem resguardo.
16. A ferramenta não deve ser utilizada para fazer rasgos, entalhes ou ranhuras.
17. Limpe e tenha cuidado para não danificar o veio, flanges (especialmente a superfície de instalação) e o perno fixação antes ou quando instala a lâmina. O estragar estas partes pode resultar em ruptura da lâmina. Má instalação pode causar vibração/balançar ou resvalamento da lâmina. Utilize só as falanges especificadas para esta ferramenta.
18. Use sempre os acessórios recomendados neste manual. O uso de acessórios tal como discos abrasivos de corte podem causar danos pessoais.
19. Selecione a lâmina de serra correcta para o material a ser cortado.
20. Não corte objectos metálicos tais como pregos e parafusos. Inspeccione e retire todos os pregos, parafusos ou qualquer outro material estranho da peça de trabalho antes da operação.
21. Retire quaisquer nos soltos da peça de trabalho ANTES de começar o corte.
22. Não use a ferramenta na presença de líquidos ou gases inflamáveis.
23. Para sua segurança, retire as aparas, pequenas peças, etc., da área de trabalho e topo da bancada antes de ligar a ferramenta à corrente e iniciar a operação.
24. Mantenha-se, assim como alguém próximo e as suas mãos fora do percurso e sem ser em linha com a lâmina da serra. Evite contacto com qualquer lâmina a rodar por inércia. Pode ainda causar danos e nunca se aproxime da lâmina da serra.
25. Esteja sempre alerta, especialmente durante operações monótonas, repetitivas. Não se deixe tomar por um falso sentido de segurança. As laminas não perdoam.
26. Certifique-se de que o bloqueio do veio está solto antes de ligar o interruptor.

27. Antes de utilizar a ferramenta numa peça de trabalho deixe-a funcionar durante um bocado. Verifique se há vibração ou se a lâmina balança pois pode indicar má instalação ou lâmina mal equilibrada.
28. Espere até que a lâmina atinja total velocidade antes de cortar.
29. Evite retirar quaisquer peças cortadas ou outras partes da peça de trabalho da área de corte enquanto a ferramenta está a funcionar e a cabeça de serra não está na posição de descanço.
30. Páre imediatamente a operação se notar qualquer coisa de anormal.
31. Desligue a ferramenta e espere até que a lâmina da serra esteja parada antes de deslocar a peça de trabalho ou mudar os ajustes.
32. Desligue a ferramenta da corrente antes de mudar a lâmina, fazer qualquer ajustamento ou quando não estiver em utilização.
33. Algum pó originado pela operação contém químicos que podem causar cancro, defeitos de nascença ou outro dano reprodutor. Alguns exemplos desse químicos são:

- chumbo devido a material pintado à base de chumbo e
- arsénico e crómio de madeira tratada quimicamente

O seu risco destas exposições varia dependendo da frequência com que executa este tipo de trabalho. Para reduzir a sua exposição a estes químicos: trabalhe numa área bem ventilada e trabalhe com equipamento de segurança aprovado, tal como máscaras para o pó que foram especialmente concebidas para filtrar partículas microscópicas.

34. Certifique-se de que a mesa está bem fixa com a alavanca antes de a virar.

QUANDO UTILIZA NO MODO DE SERRA DE ESQUADRIA:

35. Só use a serra para cortar madeira, alumínio ou materiais semelhantes.
36. Não efectue qualquer operação com as mãos livres. A peça de trabalho tem de estar firmemente segura sobre a mesa giratória e a placa guia, com o torno de bancada, durante todas as operações. Nunca utilize as mãos para manter a peça de trabalho segura.
37. Certifique-se de que a ferramenta está estável antes de cada corte.
38. Suporte as peças de trabalho longas com os suportes adicionais apropriados.
39. Nunca corte peças de trabalho tão pequenas que não consigam ficar bem seguras no torno. Uma peça de trabalho mal segura pode provocar recuo e ferimentos pessoais graves.
40. Certifique-se de que a mesa giratória está bem presa de modo a que não se mova durante a operação.
41. Certifique-se de que o braço está bem preso quando chanfra. Aperte a alavanca para a direita para fixar o braço.
42. Certifique-se de que a lâmina não contacta a mesa giratória na posição mais baixa e não está em contacto com a peça de trabalho antes de ligar o interruptor.

43. Agarre na pega firmemente. Esteja ciente de que a serra se desloca para cima ou para baixo ligeiramente durante o arranque e a paragem.

QUANDO UTILIZA NO MODO DE SERRA DE MESA (SERRA DE BANCADA):

44. Não execute nenhuma operação com as mãos livres. Mãos livres significa utilizar as suas mãos para suportar ou guiar a peça de trabalho, em vez de uma guia paralela.
45. Certifique-se de que a mesa giratória está presa seguramente.
46. Certifique-se de que o braço está fixo seguramente na posição de trabalho. Aperte a alavanca para a direita para fixar o braço.
47. Utilize um varão ou bloco impulsor para evitar trabalhar com as mãos e dedos perto da lâmina da serra.
48. Certifique-se de que a lâmina não está em contacto com a faca de abrir ou a peça de trabalho antes de ligar o interruptor.
49. Preste especial atenção às instruções para reduzir o RECÚO. RECÚO é uma reacção súbita a uma lâmina de serra presa, dobrada ou mal alinhada. RECÚO causa a ejeção da peça de trabalho da ferramenta para trás na direcção do operador. RECÚOS PODEM ORIGINAR DANOS PESSOAIS SÉRIOS. Evite RECÚO mantendo a lâmina afiada, mantendo a guia paralela com a lâmina, mantendo a faca de abrir e resguardo da lâmina no seu lugar e a funcionar correctamente, não soltando a peça de trabalho até que a tenha empurrado até ao fim a lâmina e não rasgando uma peça de trabalho que está torcida ou torta ou não tem uma extremidade direita para guiar ao longo da guia.
50. Evite alimentação abrupta e rápida. Alimente o mais devagar possível quando corta peças de trabalho duras. Não dobre ou torça a peça de trabalho enquanto alimenta. Se a lâmina funcionar aos solavancos ou encravar na peça de trabalho desligue, imediatamente a ferramenta. Desencrave a lâmina.
51. Antes de virar a mesa, certifique-se sempre de que o pino de bloqueio bloqueou a cabeça da ferramenta na sua posição inferior.

GUARDE ESTAS INSTRUÇÕES.

AVISO:

NÃO permita que conforto ou familiaridade com o produto (adquirido com o uso repetido) substitua a aderência estrita às regras de segurança da ferramenta. MÁ INTERPRETAÇÃO ou não seguimento das regras de segurança estabelecidas neste manual de instruções pode causar danos pessoais sérios.

INSTALAÇÃO

PRECAUÇÃO:

- Mantenha o piso à volta do nível da ferramenta limpo e sem desperdício de material tal como aparas e bocados cortados.

Montagem na bancada (Fig. 1, 2 e 3)

Para os pés completamente esticados montados como mesa mais alta

Quando não consegue montar a ferramenta estável, rode a porca de regulação no pé da ferramenta para estabilidade adequada. Rode para a esquerda visto de cima para tornar o pé mais pequeno e para a direita visto de cima para o tornar mais comprido. Depois da regulação, certifique-se de que a ferramenta se mantém estável.

Instale as placas de fixação, com a sua ponta angular virada para fora, nos três pés com pernos hexagonais. E prenda a ferramenta à superfície estável e nivelada utilizando os orifícios para os pernos existentes nas placas de fixação com três pernos.

Para os pés dobrados montados com mesa mais baixa

Quando a ferramenta está pronto na posição de os pés dobrados, prenda a ferramenta utilizando as ranhuras em forma de U mostradas na figura.

DESCRIÇÃO FUNCIONAL

PRECAUÇÃO:

Certifique-se sempre de que a ferramenta está desligada e a ficha retirada da tomada antes de regular ou verificar qualquer função na ferramenta.

Resguardo da lâmina (Fig. 4, 5 e 6)

PRECAUÇÃO:

- Certifique-se de que não pode descer a pega sem empurrar a alavanca perto da pega para a esquerda.
- Certifique-se de que os resguardos da lâmina inferior A não se abrem a menos que a alavanca perto da pega seja empurrada para a posição superior da pega.
- Certifique-se de que o resguardo da lâmina inferior C está instalado antes de utilizar no modo de serra de esquadria.

Quando desce a pega enquanto empurra a alavanca para a esquerda, o resguardo da lâmina inferior A levanta-se automaticamente. O resguardo da lâmina inferior B levanta-se quando entra em contacto com a peça de trabalho. Os resguardos da lâmina inferior têm uma mola e por isso voltam para a posição original quando o corte termina e a pega é levantada. O resguardo da lâmina superior cai direita na superfície da mesa depois da peça de trabalho ter passado por baixo. **NUNCA TRANSFORME OU RETIRE OS RESGUARDOS DA LÂMINA INFERIOR, A MOLA QUE PRENDE O RESGUARDO DA LÂMINA INFERIOR OU O RESGUARDO DA LÂMINA SUPERIOR** excepto no caso da nota abaixo.

No interesse da sua segurança pessoal, mantenha sempre os resguardos da lâmina em boas condições. Qualquer funcionamento irregular dos resguardos deve ser corrigido imediatamente. Certifique-se de que a acção de retorno da mola dos resguardos da lâmina inferior funciona correctamente. **NUNCA UTILIZE A FERRAMENTA SE O RESGUARDO DA LÂMINA INFERIOR, MOLA OU O RESGUARDO DA LÂMINA SUPERIOR ESTIVER ESTRAGADO, DEFEITUOSO OU RETIRADO** excepto no caso da nota abaixo. É MUITO PERIGOSO FAZÊ-LO E PODE CAUSAR DANOS PESSOAIS SÉRIOS.

NOTA:

- Há as seguintes excepções para retirar os resguardos. Só quando utiliza no modo de serra de mesa, retire o resguardo da lâmina inferior C. Só quando utiliza no modo de serra de esquadria, retire o resguardo da lâmina superior.

Se qualquer destes resguardos de lâmina transparentes ficarem sujos, ou poeira aderir de modo a que a lâmina deixe de ser visível facilmente, desligue a serra da corrente e limpe os resguardos cuidadosamente com um pano húmido. Não utilize dissolventes ou qualquer produto de limpeza à base de petróleo no resguardo de plástico.

Se o resguardo da lâmina inferior A estiver especialmente sujo e for difícil ver através do resguardo, proceda como se segue. Levante completamente a pega. Retire a lâmina da serra (Refira-se à secção “Instalar ou retirar a lâmina da serra”). Levante o resguardo da lâmina inferior A enquanto empurra a alavanca para a esquerda. Com o resguardo da lâmina inferior A assim posicionado, a limpeza será mais completa e eficiente. Quando terminar a limpeza, inverta o procedimento acima e prenda o perno. Na mesma situação para o resguardo da lâmina superior, empurre o botão na frente para a superfície superior e retire o resguardo da lâmina superior. Depois da limpeza, volte sempre a instalar seguramente.

Se qualquer dos resguardos das lâminas perderem a cor com o tempo ou por exposição à luz UV, contacte um centro de assistência autorizada da Makita para encomendar um novo resguardo. **NÃO TRANSFORME OU RETIRE OS RESGUARDOS.**

Manter a máxima capacidade de corte (Fig. 7)

Esta ferramenta foi regulada na fábrica para oferecer a máxima capacidade de corte para uma lâmina de serra de 260 mm.

Quando instala uma lâmina nova, verifique sempre a posição limite inferior e se necessário, regule como se segue.

PRECAUÇÃO:

- Quando faz esta regulação, desligue a ferramenta da corrente.

Primeiro, desligue a ferramenta da corrente. Desça completamente a pega. Utilize a chave para rodar o perno de regulação até que a periferia da lâmina se estende ligeiramente abaixo da superfície superior da mesa giratória no ponto onde a face frontal da placa guia encontra a superfície superior da mesa giratória.

Com a ferramenta desligada da corrente, rode a lâmina com a mão enquanto agarra na pega completamente para baixo para se certificar de que a lâmina não contacta qualquer parte da base inferior. Volte a regular ligeiramente, se necessário.

PRECAUÇÃO:

- Depois de instalar uma lâmina nova, certifique-se sempre de que a lâmina não contacta qualquer da base inferior quando desce completamente a pega. Execute sempre este procedimento com a ferramenta desligada da corrente.

Esta ferramenta pode ser utilizada com ou sem o limite inferior mudando o travão do limite inferior como indicado na figura. (Fig. 8)

Para utilizar a ferramenta sem o limite inferior, rode a extremidade do travão para a esquerda. O uso nesta posição é adequado para cortar uma peça larga e fina.

Para utilizar a ferramenta com o limite inferior, desloque a extremidade do travão para a direita. A utilização nesta posição é adequada para cortar uma peça espessa.

Regulação do ângulo de esquadria (Fig. 9 e 10)

Solte o parafuso de fixação na placa guia rodando-o para a esquerda. Rode a mesa giratória com a pega. Quando deslocou a pega para a posição onde o ponteiro aponta para o ângulo desejado na escala de esquadria, aperte seguramente o parafuso de fixação para a direita.

PRECAUÇÃO:

- Quando roda a mesa giratória, certifique-se de que levanta a pega completamente.
- Depois de mudar o ângulo de esquadria, prenda sempre a mesa giratória apertando firmemente o parafuso de fixação.

Regulação do ângulo de bisel (Fig. 11 e 12)

No modo de serra de esquadria

Para regular o ângulo de bisel, solte a alavanca na parte de trás da ferramenta para a esquerda.

Empurre a pega para a esquerda para inclinar a lâmina da serra até que o ponteiro aponte para o ângulo desejado na escala de bisel. Em seguida aperte a alavanca para a direita firmemente para prender o braço.

PRECAUÇÃO:

- Quando inclina a lâmina da serra, certifique-se de que levanta a pega completamente.
- Depois de mudar o ângulo de bisel, prenda sempre o braço firmemente apertando a alavanca para a direita.

No modo de serra de mesa (Fig. 13)

Para regular o ângulo de bisel, solte para esquerda a alavanca debaixo da mesa na frente da ferramenta.

Desloque o botão de regulação da profundidade para a esquerda para inclinar a lâmina da serra até que o ponteiro aponte para o ângulo desejado na escala de bisel. Em seguida aperte a alavanca para a direita firmemente para prender o braço.

Ação do interruptor (Fig. 14)

Mudar para o modo de serra de esquadria

PRECAUÇÃO:

- Antes de ligar a ferramenta à corrente, certifique-se sempre de que a alavanca interruptora funciona correctamente e volta para a posição "OFF" quando libertado.
- Quando não utiliza a ferramenta, retire o botão de segurança e guarde-o num local seguro. Isto evita operação não autorizada.
- Não carregue na alavanca interruptora com força sem pressionar o botão de segurança. Pode estragar o interruptor.

Para evitar que carregue acidentalmente na alavanca interruptora, existe um botão de segurança. Para iniciar a ferramenta, empurre a alavanca de bloqueio para a esquerda, pressione no botão de segurança e em seguida carregue na alavanca interruptora. Solte a alavanca interruptora para parar.

Mudar para o modo de serra de mesa

PRECAUÇÃO:

- Antes da operação, certifique-se de que a ferramenta liga e desliga.

Para iniciar a ferramenta, pressione o botão ON (I). Para a parar, pressione o botão OFF (O).

Regulação da profundidade de corte (Fig. 15)

A profundidade de corte pode ser regulada rodando o botão de regulação da profundidade de corte. Rode o botão de regulação da profundidade de corte para a direita para levantar a lâmina ou para a esquerda para a descer.

AVISO:

- Use um ajuste baixo quando corta materiais finos para obter um corte limpo.

PRECAUÇÃO:

- O pino de bloqueio não pode ser rodado com a cabeça da ferramenta na posição mais baixa. Nesse caso, rode o botão ligeiramente para a esquerda e pode soltar o pino de bloqueio. (Fig. 16)

Proteção de sobrecarga

- Apenas ferramentas com fornecimento de energia de 200 V ou mais. Consulte a placa de identificação da ferramenta para detalhes sobre a tensão nominal.
- Quando a carga da ferramenta excede os níveis aceitáveis, a potência é reduzida para proteger o motor contra o sobreaquecimento. A ferramenta volta a funcionar normalmente assim que a carga retornar a um nível aceitável.

CONJUNTO

PRECAUÇÃO:

- Certifique-se sempre de que a ferramenta está desligada e a ficha retirada da tomada antes de executar qualquer manutenção na ferramenta.

Armazenamento da chave hexagonal (Fig. 17)

A chave hexagonal deve ser armazenada como indicado na figura. Quando utiliza a chave hexagonal, retire-a do suporte da chave. Depois de utilizar a chave hexagonal, volte a colocá-la no suporte da chave.

Dois modos de montagem da altura da mesa

A altura da mesa pode ser montada de dois modos, alta ou baixa.

AVISO:

- Antes de pôr a ferramenta de lado, coloque sempre a ferramenta no modo de serra de esquadria e bloqueie a cabeça da ferramenta na posição mais baixa.

1. Montagem na posição alta (Fig. 18)

Para montar a ferramenta com a mesa alta, faça o seguinte.

- (1) Desça cuidadosamente a ferramenta PARA TRÁS sem cair, enquanto a agarra com as duas mãos.
- (2) Rode o gancho na direcção da seta na figura para soltar os pés. Abra os pés da mesa de um lado e empurre a barra inferior dos pés completamente para a frente para ficar presa. Execute o mesmo procedimento para os pés no lado oposto. Certifique-se de que os pés nos dois lados estão completamente bloqueados.

AVISO:

- Certifique-se de que os ganchos de travagem estão perfeitamente posicionados na ranhura no suporte.

- (3) Volte a colocar a ferramenta na sua posição erecta.

2. Montagem da mesa baixa (Fig. 19)

Os pés podem ser dobrados como indicado na figura. Para dobrar a ferramenta, faça o seguinte.

- (1) Desça cuidadosamente a ferramenta PARA TRÁS sem cair enquanto a agarra com as duas mãos.

- (2) Pressione primeiro o travão na junção dos pés esquerdos na sua direcção para os desbloquear.
- (3) Execute os mesmos passos para os pés opostos como acima.
- (4) Utilize um gancho para agarrar os pés.
- (5) Volte a colocar a ferramenta na sua posição erecta.

Instalar ou retirar a lâmina da serra

PRECAUÇÃO:

- Certifique-se sempre de que a ferramenta está desligada e a ficha retirada da tomada antes de instalar ou retirar a lâmina.
- Utilize só a chave hexagonal da Makita fornecida para instalar ou retirar a lâmina. Se não o fizer pode resultar em aperto excessivo ou insuficiente do perno de encaixe hexagonal. Pode causar danos.

Desloque a pega para a sua posição completamente levantada.

Pressione o bloqueio do eixo para bloquear o veio, utilize a chave hexagonal para libertar o perno de encaixe hexagonal para a direita. (Fig. 20)

Levante o resguardo da lâmina A com a sua alavanca de subida enquanto empurra a alavanca perto da pega para a esquerda. Com o resguardo da lâmina inferior A levantada, retire o perno hexagonal, falange exterior e lâmina. (Fig. 21)

Para instalar a lâmina, monte-a cuidadosamente no veio certificando-se de que a direcção da seta na superfície da lâmina corresponde com a direcção da seta na caixa da lâmina. Instale a falange exterior e o perno de encaixe hexagonal e em seguida use a chave hexagonal para apertar o perno de encaixe hexagonal (de esquerda) para o lado esquerdo enquanto pressiona o bloqueio do veio. (Fig. 22 e 23)

NOTA:

- Quando instala uma lâmina de serra, certifique-se de que a insere primeiro entre o resguardo da lâmina B e em seguida a levanta de modo a que a lâmina esteja finalmente colocada no resguardo da lâmina B.

PRECAUÇÃO:

- O anel de 25,4 mm ou 30 mm no diâmetro externo vem instalado de fábrica no veio. Antes de montar a lâmina no eixo, certifique-se sempre de que o anel correcto para o orifício da lâmina que pretende utilizar está instalado no eixo. (Fig. 24)

Volte a colocar o resguardo da lâmina inferior A na sua posição original. Desça a pega para se certificar de que o resguardo da lâmina inferior se desloca correctamente. Certifique-se de que o bloqueio do veio libertou o eixo antes de fazer o corte.

Regulação da faca de abrir

Deve haver uma folga de cerca de 5 – 6 mm entre a faca de abrir e os dentes da lâmina quando empurra a faca de abrir completamente na direcção da lâmina. Regule a faca de abrir conformemente, primeiro soltando a porca de fixação com a mão para a esquerda e em seguida soltando o perno de encaixe hexagonal para a esquerda com a chave hexagonal e medindo a distância. Depois da regulação aperte firmemente o perno de encaixe hexagonal e em seguida a porca de fixação para a direita. Antes do corte verifique sempre se a faca de abrir está presa e se o resguardo da lâmina superior trabalha suavemente. (Fig. 25 e 26)

A faca de abrir foi instalada na fábrica por isso a lâmina e a faca de abrir estão em linha direita depois da sua simples montagem. Refira-se à secção intitulada “Voltar a posicionar a faca de abrir” para a montagem. (Fig. 27)

PRECAUÇÃO:

- Se a lâmina e a faca de abrir não estiverem alinhadas correctamente, pode ocorrer uma condição de compressão perigosa durante a operação. Certifique-se de que a faca de abrir está posicionada entre as duas extremidades dos dentes da lâmina quando vê por cima. Pode sofrer danos pessoais sérios se usar a ferramenta sem uma faca de abrir correctamente alinhada. Se por qualquer razão não estiverem alinhadas, mande reparar ao centro de assistência autorizada da Makita.
- Quando regula a folga da faca de abrir com os dentes da lâmina, solte sempre o perno de encaixe hexagonal só depois de soltar a porca de fixação.

Instalar e regular a guia paralela (Fig. 28)

1. Instale a guia paralela na mesa de modo a que o suporte da guia paralela encaixe no carril da guia. Aperte o parafuso de fixação (B) da guia paralela firmemente para a direita.
2. Solte o parafuso de fixação (A).
3. Deslize a guia paralela e prenda-a de modo a que a extremidade mais afastada da guia paralela esteja alinhada com a ponta em que a extremidade frontal da lâmina da serra só aparece na superfície superior da peça de trabalho. O fim desta regulação é reduzir o risco de recuo na direcção do operador, de que o bocado da peça de trabalho que está comprimido entre a lâmina da serra e a guia paralela seja empurrada para fora na direcção do operador. A linha (A) varia em espessura da peça de trabalho ou o nível da mesa. Regule a posição da guia paralela de acordo com a espessura da peça de trabalho. Depois de regular a guia paralela, aperte o parafuso de fixação (A) firmemente. (Fig. 29)

NOTA:

- Há quatro modos de posicionar a guia paralela como indicado na figura. A guia paralela tem duas réguas nos lados, uma régua com uma franja elevada no mesmo lado e a outra sem. Utilize a superfície da guia paralela com a franja virada para a peça de trabalho só quando corta uma peça fina.
- Para mudar a forma da guia paralela, retire-a do suporte da guia paralela soltando o parafuso de fixação (A) e mudando a posição da guia paralela de modo a que esteja voltada para o suporte da guia paralela de acordo com o seu trabalho como indicado na figura. Insira a porca quadrada no suporte da guia paralela na extremidade traseira de qualquer das réguas da guia paralela de modo a que encaixem como mostrado na figura.

Para mudar a forma A ou B para C ou D, ou o caso inverso, retire a porca quadrada e parafuso de fixação (A) do suporte da guia paralela e em seguida posicione o parafuso de fixação (A) e a porca quadrada na posição oposta do suporte da guia paralela relativamente à posição original. Aperte o parafuso de fixação (A) firmemente depois de inserir a porca quadrada do suporte da guia paralela na régua da guia paralela.

Insira a porca quadrada no suporte da guia paralela na extremidade traseira de qualquer das réguas da guia paralela de modo a que encaixem como mostrado na figura. (Fig. 30 e 31)

A guia paralela foi regulada na fábrica de modo a que esteja paralela com a superfície da lâmina. Certifique-se de que está paralela. Para se certificar de que a guia paralela está paralela com a lâmina, regule a altura da lâmina com o botão de regulação da profundidade do corte, de modo a que a lâmina apareça na posição superior da mesa. Marque um dos dentes da lâmina com um lápis. Meça a distância (A) e (B) entre a guia paralela e a lâmina. Faça as duas medições utilizando o dente marcado com o lápis. Estas duas medições devem ser idênticas. Se a guia paralela não estiver paralela com a lâmina, proceda como se segue: (Fig. 32 e 33)

- (1) Rode o parafuso de regulação para a esquerda.
- (2) Desloque a extremidade da frente da guia paralela ligeiramente para a direita ou esquerda até que fique paralela com a lâmina.
- (3) Aperte o parafuso de regulação na guia paralela firmemente.

PRECAUÇÃO:

- Certifique-se de que regula a guia paralela de modo que esteja paralela com a lâmina, ou pode ocorrer um recuo perigoso.
- Certifique-se de que regula a guia paralela de modo a que não contacte com o resguardo da lâmina superior ou a lâmina da serra. (Fig. 34)
- Não desloque ou transporte a ferramenta pegando na guia paralela.
- Levantar a guia paralela instalada ou exercer força para a esquerda ou direita agarrando com a mão a sua extremidade superior pode estragá-la deixando de cumprir a sua função.

Instalar e regular o calibrador de esquadria (Fig. 35)

Instale o calibrador de esquadria instalando o seu veio numa das duas ranhuras na mesa pela parte da frente. A guia do calibrador de esquadria que também pode ser utilizada como guia paralela pode ser instalada no calibrador de esquadria de acordo com o seu trabalho.

Saco do pó

O uso do saco do pó torna as operações de corte limpas e a recolha do pó mais fácil. Para prender o saco do pó, encaixe-o no bocal do pó. (Fig. 36)

Quando o saco do pó está cerca de meio cheio, retire o saco do pó da ferramenta e tire o fecho. Esvazie o saco do pó do seu conteúdo, dando-lhe pancadas ligeiras para retirar as partículas aderentes no interior que podem impedir mais recolha. (Fig. 37)

Se ligar um aspirador à sua serra, pode executar operações de limpeza mais eficientes e limpas. (Fig. 38)

Cotovelo (Fig. 39)

PRECAUÇÃO:

- Aponte a abertura de descarga do cotovelo na direcção em que o pó de exaustão e as partículas não voam na direcção da ferramenta e pessoas próximo.

Prenda o cotovelo quando muda a direcção da descarga do pó.

Prender a peça de trabalho

AVISO:

- É extremamente importante prender correctamente a peça de trabalho e apertá-la com o torno. Se assim não for pode estragar a ferramenta e/ou a peça de trabalho. PODE TAMBÉM RESULTAR EM DANOS PESSOAIS. Também, depois de uma operação de corte NÃO levante a lâmina até que esteja completamente parada.

Sub-placa (Fig. 40)

A sub-placa pode ser instalada na placa guia. Quando realizar cortes inclinados para a esquerda ou cortar como uma serra de mesa (modo de bancada), remova a sub-placa.

PRECAUÇÃO:

- Quando realizar cortes inclinados para a esquerda ou cortar como uma serra de mesa (modo de bancada), remova a sub-placa. Caso contrário, entrará em contacto com a lâmina ou outra parte da ferramenta, podendo provocar possíveis ferimentos graves no operador.

Torno vertical (Fig. 41)

O torno vertical pode ser instalado em duas posições tanto no lado esquerdo ou direito da placa guia. Insira o varão do torno no orifício na placa guia e aperte o parafuso de fixação para prender o varão do torno.

Posicione o braço do torno de acordo com a espessura e forma da peça de trabalho e prenda o braço do torno apertando o parafuso de fixação. Se o parafuso para prender o braço do torno contactar com a placa guia, instale o parafuso de fixação no lado oposto do braço do torno. Certifique-se de que nenhuma parte da ferramenta contacta o torno quando desce completamente a pega. Se qualquer parte contactar o torno, volte a posiçô-lo.

Pressione a peça de trabalho direita contra a placa guia e a mesa giratória. Posicione a peça de trabalho na posição de corte desejada e prenda-a firmemente apertando o botão do torno.

PRECAUÇÃO:

- A peça de trabalho deve ser presa firmemente contra a mesa giratória e a placa guia.

Montar a ferramenta no modo de serra de mesa

PRECAUÇÃO:

- Antes de utilizar no modo de serra de mesa, certifique-se de que a mesa giratória foi presa no ângulo de esquadria de 0° com o parafuso de fixação na placa guia.
- Antes de utilizar no modo de serra de mesa, certifique-se de que a cabeça da ferramenta foi presa com a alavanca.
- Antes de utilizar no modo de serra de mesa, certifique-se de que a faca de abrir foi colocada correctamente no seu lugar.
- Antes de utilizar no modo de serra de mesa, retire o resguardo da lâmina inferior C.
- No modo de serra de mesa, solte o travão do limite inferior.

A ferramenta sai de fábrica montada no modo de serra de esquadria. Antes de utilizar no modo de serra de mesa, mude a montagem e siga o procedimento abaixo.

1. Prender a mesa giratória (Fig. 42)

Para prender a mesa giratória, aperte o parafuso de fixação firmemente na placa guia em 0° de ângulo de esquadria.

2. Prender a cabeça da ferramenta (Fig. 43)

Prenda a cabeça da ferramenta apertando a alavanca na direcção da seta como indicado na figura.

3. Soltar o travão do limite inferior (Fig. 44)

Certifique-se de que a extremidade do travão do limite inferior está na posição A na figura. Rode a extremidade do travão do limite inferior para a esquerda para a posição A quando está posicionado na posição B.

4. Voltar a posicionar a faca de abrir (Fig. 45)

A posição (Fig. 45-A) deve ser mudada como se segue.

(1) Solte a porca de fixação. (Fig. 45-B)

(2) Puxe e rode a faca de abrir para a posição do ângulo de 90° na direcção da seta. (Fig. 45-C) E empurre ligeiramente de modo a que fique fixo nesta posição.

(3) Levante o resguardo da lâmina inferior A completamente utilizando o seu talão com a mão enquanto empurra a alavanca perto da pega para a esquerda, e solte a alavanca perto da pega. (Fig. 45-D)

(4) Empurre a faca de abrir na direcção da seta (veja a Fig. 45-E) de modo a que esteja alinhada com a lâmina da serra.

(5) Depois de empurrar a faca de abrir na direcção da seta indicada na figura, solte o resguardo da lâmina inferior A.

(6) Depois de alinhar a faca de abrir, aperte a porca de fixação firmemente (veja a Fig. 45-F).

5. Retirar o resguardo da lâmina inferior C (Fig. 46)

Retire o resguardo da lâmina inferior C da mesa soltando o parafuso de fixação.

6. Prender a cabeça da ferramenta na sua posição mais baixa (Fig. 47 e 48)

Depois de montar a faca de abrir no seu lugar para o modo de serra de mesa, puxe o travão na direcção da seta A e rode-o para o ângulo de 90° na direcção da seta B com o travão puxado. Em seguida desça a pega para bloquear a cabeça da ferramenta.

PRECAUÇÃO:

- Quando a cabeça da ferramenta não pode ser bloqueada na posição mais baixa, rode o botão de regulação da profundidade várias vezes para a direita.
- Antes de virar a mesa, certifique-se sempre de que o pino de bloqueio bloqueou a cabeça da ferramenta na sua posição inferior.

7. Virar a ferramenta (Fig. 49)

AVISO:

- Certifique-se de que a ferramenta está desligada e a ficha retirada da tomada antes de a virar.
- Quando empurra a alavanca para baixo, certifique-se de que coloca a sua mão/dedo afastado da área apropriada da alavanca-mesa. Agarre na extremidade do meio da mesa com uma mão, empurre a alavanca com a outra enquanto agarra na extremidade da mesa firmemente e rode a mesa cuidadosamente para a voltar. Continue a agarrar até que fique presa.

8. Instalar o resguardo da lâmina superior (Fig. 50)

Pressione o botão de pressão do resguardo da lâmina superior para o seu lado da superfície, coloque-o na ranhura na faca de abrir com o botão pressionado e solte o botão.

Depois de soltar o botão de pressão, certifique-se de que o resguardo da lâmina superior está preso tentando retirá-lo.

PRECAUÇÃO:

- Depois de instalar o resguardo da lâmina superior, certifique-se de que trabalhe suavemente.

Montar a ferramenta no modo de serra de esquadria (Fig. 51)

AVISO:

- Certifique-se de que instala o resguardo da lâmina inferior C antes de utilizar a ferramenta no modo de serra de esquadria.

Para mudar a montagem do modo de serra de mesa para o modo de serra de esquadria, inverta o procedimento da secção “Montar a ferramenta no modo de serra de mesa”.

1. Retirar o resguardo da lâmina superior

Pressione o botão de pressão do resguardo da lâmina superior para o lado da sua superfície e em seguida retire o resguardo da lâmina superior para cima com o botão pressionado.

2. Instalar o resguardo da lâmina inferior C

Coloque o resguardo da lâmina inferior C na mesa de modo a que encaixe na ranhura de mesa e aperte o parafuso de fixação firmemente.

3. Virar a ferramenta

Refira-se à secção com o mesmo título na secção “Montar a ferramenta no modo de serra de mesa”.

4. Libertar a cabeça da ferramenta da sua posição completamente baixa

Enquanto agarra na pega, empurre o pino de bloqueio na direcção da seta A, rode-o para o ângulo de 90° na direcção da seta B com o pino de bloqueio empurrado e em seguida levante a pega devagar.

5. Reposicionar a faca de abrir (Fig. 52)

A posição de faca de abrir (Fig. 52-A) deve ser mudada como segue.

(1) Solte a porca de fixação e pegue com a mão no resguardo da lâmina inferior A utilizando o seu talão. (Fig. 52-B)

(2) Enquanto agarra no resguardo da lâmina inferior A, puxe a faca de abrir de modo a que rode e volte-a para a posição na direcção da seta. (Fig. 52-C)

(3) Com a faca de abrir presa nessa posição, volte o resguardo da lâmina inferior A para a sua posição original e aperte firmemente a porca de fixação. (Fig. 52-D e E)

OPERAÇÃO

PRECAUÇÃO:

- Antes da utilização, certifique-se de que solta a pega da sua posição mais baixa empurrando o pino de bloqueio e rodando-a para o ângulo de 90°.
- Certifique-se de que a lâmina não está em contacto com a peça de trabalho, etc., antes de ligar o interruptor.

CORTAR COMO SERRA DE ESQUADRIA

AVISO:

- Certifique-se de que o resguardo da lâmina inferior C está instalado antes de utilizar no modo de serra de esquadria.

PRECAUÇÃO:

- Não aplique pressão excessiva na pega quando corta. Força demais pode resultar em sobrecarga do motor e/ou diminuição da eficiência de corte. Empurre a pega para baixo só com a força suficiente para um corte suave e sem diminuição significativa na velocidade da lâmina.
- Pressione suavemente a pega para baixo para executar o corte. Se a pega for pressionada para baixo com força ou se for aplicada força lateral, a lâmina vibrará e deixará uma marca (marca da serra) na peça de trabalho o corte não será preciso.

1. Corte de pressão (Fig. 53)

Prenda a peça contra a placa guia e mesa giratória. Ligue a ferramenta sem que a lâmina faça qualquer contacto e espere até que a lâmina atinja toda a velocidade antes de a descer. Em seguida desça a pega para a posição completamente descida para cortar a peça de trabalho. Quando termina o corte, desligue a ferramenta e ESPERE ATÉ QUE A LÂMINA ESTEJA COMPLETAMENTE PARADA antes de voltar a lâmina para a posição elevada.

2. Corte de esquadria

Refira-se ao previamente descrito “Regulação do ângulo de esquadria”.

3. Corte de bisel (Fig. 54)

Solte a alavanca e incline a lâmina da serra para ajustar o ângulo de bisel (Refira-se ao previamente descrito “Regulação do ângulo de bisel”). Certifique-se de que volta a apertar a alavanca firmemente para prender seguramente o ângulo de bisel seleccionado. Prenda a peça contra a placa guia e mesa giratória. Ligue a ferramenta sem que a lâmina faça qualquer contacto e espere até que a lâmina atinja toda a velocidade. Em seguida, desça a pega suavemente para a sua posição mais baixa enquanto aplica pressão em paralelo com a lâmina. Quando termina o corte, desligue a ferramenta e ESPERE ATÉ QUE A LÂMINA ESTEJA COMPLETAMENTE PARADA antes de voltar a lâmina para a posição elevada.

PRECAUÇÃO:

- Certifique-se de que a lâmina desce para a direcção de bisel durante um corte de bisel. Mantenha as mãos afastadas do percurso da lâmina da serra.
- Durante um corte de bisel, pode ser criada uma condição em que a peça cortada ficará encostada ao lado da lâmina. Se levantar a lâmina enquanto ainda estiver a rodar, a peça pode ser apanhada pela lâmina causando com que os fragmentos se dispersam o que é perigoso. A lâmina SÓ deve ser levantada depois de estar completamente parada.
- Quando pressiona a pega para baixo, aplique pressão paralelamente à lâmina. Se a pressão não for paralela à lâmina durante um corte, o ângulo da lâmina pode ser alterado e não existirá precisão de corte.
- Remova sempre a sub-placa quando realizar cortes inclinados para a esquerda.

4. Corte composto

Corte composto é o processo em que um ângulo de bisel é feito ao mesmo tempo em que um ângulo de esquadria é cortado numa peça de trabalho. Pode executar corte composto no ângulo mostrado na tabela.

Ângulo de bisel	Ângulo de esquadria
45°	esquerdo e direito 0° – 45°

006366

Quando executa corte composto, refira-se às explicações “Corte de pressão”, “Corte de esquadria” e “Corte de bisel”.

5. Cortar alumínio (Fig. 55)

Quando prende extrusões de alumínio, utilize blocos impulsores ou peças de sucata como indicado na figura para evitar deformação do alumínio. Utilize um lubrificante de corte quando corta extrusões de alumínio para evitar acumulação de material do alumínio na lâmina.

PRECAUÇÃO:

- Nunca tente cortar peças de alumínio espessas ou redondas. Peças de alumínio espessas podem ficar soltas durante a operação e peças de alumínio redondas não podem ser presas firmemente com esta ferramenta.
- Nunca corte peças de alumínio no modo de serra de mesa (serra de bancada).

CORTAR COMO SERRA DE MESA (SERRA DE BANCADA)

PRECAUÇÃO:

- Use sempre “ajuda” tal como varões impulsores e blocos impulsores quando há o perigo de que as suas mãos ou dedos fiquem perto da lâmina.
- Pegue sempre na peça de trabalho firmemente com a mesa e a guia paralela. Não dobre ou torça enquanto alimenta. Se a peça de trabalho estiver dobrada ou torcida, podem ocorrer recuos perigosos.
- NUNCA retire a peça enquanto a lâmina está a correr. Se precisar de retirar a peça antes de acabar o corte, primeiro desligue enquanto agarra na peça de trabalho firmemente. Espere até que a lâmina esteja completamente parada antes de retirar a peça. Se assim não for pode causar recuos perigosos.
- NUNCA retire bocados de material cortados enquanto a lâmina está a correr.
- NUNCA coloque as suas mãos ou dedos no percurso da lâmina da serra.
- Prenda sempre a guia paralela firmemente ou pode ocorrer recuos perigosos.
- Use sempre “ajuda” tal como varões impulsores e blocos impulsores quando corta peças pequenas ou estreitas ou quando a cabeça está escondida.
- Quando cortar como serra de mesa (modo de bancada), remova a sub-placa.

Ajudas

Varões impulsores, blocos impulsores ou guias auxiliares são tipos de “ajuda”. Utilize-os para fazer cortes seguros e certos sem a necessidade do operador contactar a lâmina com qualquer parte do corpo.

Bloco impulsor (Fig. 56)

Utilize uma peça de 19 mm de madeira compensada. A peça deve estar no centro da peça de madeira compensada. Prenda com cola e parafusos de madeira como indicado. Pequenas peças de 9,5 mm x 8 mm x 50 mm de madeira devem ser sempre coladas à madeira compensada para evitar que a lâmina encrave se o operador cortar no bloco impulsor por engano. (Nunca utilize pregos no bloco impulsor.)

Guia auxiliar (Fig. 57)

Faça guias auxiliares com peças de madeira compensada de 9,5 mm e 19 mm.

Fazer com rasgos

PRECAUÇÃO:

- Quando faz rasgos, retire o calibrador de esquadria da mesa.
- Quando corta peças compridas ou largas, tenha sempre suporte adequado debaixo da mesa. NÃO permita que uma placa comprida se desloque ou vire na mesa. Isto causará que a lâmina dobre e aumenta a possibilidade de recuo e danos pessoais. O suporte deve ser da mesma altura do que a mesa.

1. Regule a profundidade de corte um pouco superior à espessura da peça de trabalho. Para fazer esta regulação, refira-se à secção intitulada "Regulação da profundidade de corte".
2. Posicione a guia paralela na largura desejada da guia e prenda-a no seu lugar apertando o parafuso de fixação (A). Antes de fazer rasgos, certifique-se de que os dois parafusos do suporte da guia paralela estão bem presos. Se não estiver bem preso, volte a apertar.
3. Ligue a ferramenta e alimente a peça de trabalho suavemente na lâmina ao longo da guia paralela.

(1) Quando a largura do rasgo é 150 mm ou mais, use uma mão com cuidado para alimentar a peça de trabalho. Use a outra mão para prender a peça de trabalho contra a guia paralela. (Fig. 58)

(2) Quando a largura do rasgo é 65 mm – 150 mm, use o varão impulsor para alimentar a peça de trabalho. (Fig. 59)

(3) Quando a largura do rasgo é inferior a 65 mm, o varão impulsor não pode ser utilizado pois baterá no resguardo da lâmina. Utilize a guia auxiliar e o bloco impulsor.

Acople a guia auxiliar à guia paralela com dois grampos "C". (Fig. 60)

Alimente a peça de trabalho com a mão até que a extremidade esteja a 25 mm da extremidade da frente da mesa superior. Continue a alimentar utilizando o bloco impulsor no topo da guia auxiliar até que o corte esteja terminado. (Fig. 61)

Corte cruzado

PRECAUÇÃO:

- Quando faz um corte cruzado, retire a guia paralela da mesa.
- Quando corta peças de trabalho compridas ou largas, tenha sempre suporte adequado para suportar os lados da mesa. O suporte deve ser da mesma altura do que a mesa.
- Mantenha as mãos afastadas do percurso da lâmina.

Calibrador de esquadria (Fig. 62)

Utilize o calibrador de esquadria para os 4 tipos de corte mostrados na figura.

PRECAUÇÃO:

- Prenda o botão no calibrador de esquadria cuidadosamente.
- Evite o rastejamento da peça de trabalho ou calibrador pegando firmemente no material, especialmente quando corta angularmente.
- NUNCA prenda ou aperte a porção "cortada" da peça de trabalho.

Utilizando o calibrador de esquadria (Fig. 63)

Deslize o calibrador de esquadria nas ranhuras espessas na mesa. Solte o botão no calibrador e alinhe para o ângulo desejado (0° a 60°). Coloque o material contra a guia e alimente suavemente para a frente na lâmina.

Revestimento de madeira auxiliar (calibrador de esquadria) (Fig. 64)

Para evitar que uma placa comprida balance, coloque o calibrador de esquadria com uma placa da guia auxiliar. Aperte com parafusos/porcas depois de perfurar orifícios, mas os apertos não devem ficar salientes da placa.

Transportar a ferramenta (Fig. 65)

Certifique-se de que a ferramenta está desligada da corrente. Para a ferramenta acabada de usar no modo de serra de esquadria, prenda a lâmina no ângulo de bisel de 0° e rode a mesa para o ângulo de esquadria de 0°. Desça a peça completamente e prenda-a na posição mais baixa empurrando completamente o pino de bloqueio.

Transporte a ferramenta agarrando-a como indicado na figura. (Fig. 66)

PRECAUÇÃO:

- Prenda sempre todas as partes móveis antes de transportar a ferramenta.
- Antes de transportar a ferramenta, monte sempre a ferramenta no modo de serra de esquadria.
- Certifique-se de que o resguardo da lâmina inferior C está instalado na ferramenta.

MANUTENÇÃO

PRECAUÇÃO:

- Certifique-se sempre de que a ferramenta está desligada e a ficha retirada da tomada antes de tentar executar qualquer inspeção ou manutenção na ferramenta.
- Nunca utilize gasolina, benzina, diluente, álcool ou produtos semelhantes. Pode ocorrer a descoloração, deformação ou rachaduras.

AVISO:

- Certifique-se sempre de que a lâmina está afiada e limpa para maior e mais seguro rendimento.

Regulação do ângulo de corte

Esta ferramenta foi cuidadosamente regulada e alinhada na fábrica, mas manuseamento sem cuidado pode afetar o alinhamento. Se a sua ferramenta não estiver alinhada correctamente, execute o seguinte.

1. Ângulo de esquadria

Os pernos de regulação do ângulo de esquadria de 0° estão localizados em quatro posições.

Solte os quatro pernos de regulação do ângulo de esquadria de 0° rodando-os para a esquerda pelo lado de baixo da mesa. (Fig. 67)

Desça a pega completamente e prenda-a na posição mais baixa puxando-a e rodando o pino de bloqueio para a direita para o ângulo de 90°. Nivele o lado da lâmina com a face da placa guia utilizando a régua triangular, esquadro, etc. Em seguida, aperte os quatro pernos de regulação no sub-braço pelo lado de baixo da mesa. Certifique-se de que o ponteiro aponta para 0° na escala de esquadria. Se assim não for, regule a posição do ponteiro soltando o parafuso que prende o ponteiro. Depois de o regular, aperte seguramente o parafuso. (Fig. 68)

2. Ângulo de bisel

(1) Ângulo de bisel de 0°

Desça a pega completamente e prenda-a na posição mais baixa puxando-a e rodando o pino de bloqueio para a direita para o ângulo de 90°. Rode a alavanca na parte de trás da ferramenta.

Rode, pelo lado de baixo da mesa, o pino de regulação do ângulo de bisel de 0° no lado direito do sub-braço duas ou três voltas para a esquerda para inclinar a lâmina para a direita. (Fig. 69)

Nivele cuidadosamente o lado da lâmina com a superfície superior da mesa giratória utilizando a régua triangular, quadrada, etc., rodando o pino de regulação do ângulo de bisel de 0° para a direita. (Fig. 70)

Certifique-se de que o ponteiro na mesa giratória aponta para 0° na escala de bisel do braço. Se não apontar para 0°, solte o parafuso que prende o ponteiro e regule o ponteiro até que aponte para 0°.

(2) Ângulo de bisel de 45°

Regule o ângulo de bisel de 45° só depois de executar a regulação do ângulo de bisel de 0°. Para regular o ângulo de bisel de 45°, solte a alavanca e incline a lâmina completamente para a esquerda. Certifique-se de que o ponteiro no braço aponta para 45° na escala de bisel do braço. Se o ponteiro não apontar para 45°, rode, pelo lado de baixo da mesa, o pino de regulação do ângulo de bisel de 45° no lado esquerdo do sub-braço até que o ponteiro aponte para 45°. (Fig. 71)

Substituição das escovas de carvão (Fig. 72 e 73)

Retire e inspecione as escovas de carvão regularmente. Substitua-as quando estiverem gastas até à marca limite. Mantenha as escovas de carvão limpas e as deslizarem livremente nos suportes. As duas escovas de carvão devem ser substituídas ao mesmo tempo. Utilize só escovas de carvão idênticas.

Recorra a uma chave de fendas para retirar as tampas dos suportes de escovas. Retire as escovas de carvão gastas, introduza as novas e fixe as tampas dos suportes.

Depois da utilização

- Depois da utilização, limpe o pó ou quaisquer partículas aderentes à ferramenta com um pano ou semelhante para assegurar a vida útil. Mantenha os resguardos da lâmina limpos de acordo com as direções na secção anterior (Resguardo da lâmina). Lubrifique as porções deslizantes com óleo de máquina para evitar ferrugem.

Para manter a CONFIANÇA e CONFIABILIDADE do produto, reparações, qualquer outra manutenção ou regulação devem ser executadas por um centro de assistência autorizada da Makita, utilizando sempre peças de substituição da Makita.

ACESSÓRIOS OPCIONAIS

PRECAUÇÃO:

- Estes acessórios ou acoplamentos são os recomendados para uso na ferramenta Makita especificada neste manual. A utilização de qualquer outro acessório ou acoplamento poderá ser perigosa para o operador. Os acessórios ou acoplamentos devem ser utilizados de maneira adequada e apenas para os fins a que se destinam.

No caso de necessitar de ajuda para mais detalhes sobre estes acessórios, consulte o departamento de assistência local da Makita.

- Lâminas de serra de aço e ponta de carboneto
- Torno vertical
- Chave hexagonal 6
- Saco do pó
- Régua triangular
- Tampa do pó (Resguardo da lâmina inferior C)
- Varão impulsor
- Conjunto de régua (Guia paralela)
- Calibrador de esquadria
- Placa de fixação (3 peças)
- Perno hexagonal (3 peças)
- Cotovelo
- Conjunto da cobertura superior (Resguardo da lâmina superior)

NOTA:

- Alguns itens da lista podem estar incluídos na embalagem da ferramenta como acessórios padrão. Eles podem variar de país para país.

Ruído

A característica do nível de ruído A determinado de acordo com EN61029:

Nível de pressão de som (L_{pA}): 91 dB (A)

Nível do som (L_{WA}): 108 dB (A)

Variabilidade (K): 3 dB (A)

Utilize protectores para os ouvidos

ENG900-1

Vibração

O valor total da vibração (soma vectorial tri-axial) determinado de acordo com EN61029:

Emissão de vibração (a_h): 2,5 m/s² ou inferior

Variabilidade (K): 1,5 m/s²

ENG901-1

- O valor da emissão de vibração indicado foi medido de acordo com o método de teste padrão e pode ser utilizado para comparar duas ferramentas.
- O valor da emissão de vibração indicado pode também ser utilizado na avaliação preliminar da exposição.

AVISO:

- A emissão de vibração durante a utilização real da ferramenta eléctrica pode diferir do valor de emissão indicado, dependendo das formas como a ferramenta é utilizada.
- Certifique-se de identificar as medidas de segurança para protecção do operador que sejam baseadas em uma estimativa de exposição em condições reais de utilização (considerando todas as partes do ciclo de operação, tal como quando a ferramenta está desligada e quando está a funcionar em marcha lenta além do tempo de accionamento).

Só para países Europeus**Declaração de conformidade CE**

A Makita declara que a(s) seguinte(s) máquina(s):

Designação da ferramenta:

Serra combinada de esquadria e bancada

Modelos n°/ Tipo: LF1000

Em conformidade com as seguintes directivas europeias:

2006/42/CE

São fabricadas de acordo com as seguintes normas ou documentos normalizados:

EN61029

O ficheiro técnico de acordo com a 2006/42/CE está disponível em:

Makita, Jan-Baptist Vinkstraat 2, 3070, Bélgica

30.10.2014



Yasushi Fukaya

Director

Makita, Jan-Baptist Vinkstraat 2, 3070, Bélgica

Illustrationsoversigt

1 Justeringsmøtrik	33 Fødder	68 Skruearm
2 Fod	34 Stopperkrog	69 Klingehoved låst i helt sænket position
3 Spændedeplade	35 Bolt med indvendig sekskant	70 Område på arm til anbringelse af hånd/finger
4 Sekskantbolt	36 Spindellås	71 Krogdele
5 U-formede riller	37 Løftehåndtag	72 Skruestik (tilbehør)
6 Nederste beskyttelsesskærm A	38 Savklinge	73 Afstandsklods
7 Nederste beskyttelsesskærm B	39 Klingehus	74 Anslag
8 Nederste beskyttelsesskærm C (anvendes kun i listesav-indstilling)	40 Pål	75 Aluminium-profiler
9 Trykknop	41 Udvendig flange	76 Forside/kant parallel
10 Spaltekniv	42 Indvendig flange	77 Træskruer
11 Øverste beskyttelsesskærm (anvendes i bordsav-indstilling)	43 Spindel	78 Sammenføring
12 Justeringsbolt	44 Ring	79 Trykstang
13 Klingeperiferi	45 Fastspændingsmøtrik	80 Hjælpeanslag
14 Anslag	46 Klingebredde	81 Trykklods
15 Nederste grænseanslag	47 Kløveanslagsholdere	82 Tværsnit
16 Møtrik	48 Styreskinne	83 Geringskæring
17 Overflade på drejeskive	49 Blokeringsskrue (A)	84 Skrånitskæring
18 Blokeringsskrue	50 Blokeringsskrue (B)	85 Kombineret geringskæring (vinkler)
19 Greb	51 Kløveanslag	86 Knap
20 Drejeskive	52 Indretningslinje: Linje (A)	87 Del af maskinen, hvori der skal holdes, når den bæres.
21 Arm	53 Topbord	88 Trekantslineal
22 Indstillingsknap til skæredybde	54 Arbejdsstykke	89 0° justeringsbolt
23 Afbryder i listesav-indstilling	55 Firkantet møtrik	90 45° justeringsbolt
24 Afbryder i bordsav-indstilling	56 Skala	91 Drejeskives overflade
25 Aflåseknop	57 Justeringskrue	92 Arm
26 Afbryder	58 Øverste beskyttelsesskærm	93 Skrånitssskala
27 ON knappen	59 Geringslæreanslag	94 Viser
28 OFF knappen	60 Geringslære	95 Slidgrænse
29 Befæstelsessstift	61 Riller	96 Børsteholderhætte
30 Sekskantnøgle	62 Udblæsningsstuds	97 Skruetrækker
31 Nøgleholder	63 Støvpose	
32 Krog	64 Lukkeskinne	
	65 Knæsamling	
	66 Skruestang	
	67 Skruerknap	

SPECIFIKATION

Model

LF1000

Klingediameter.....	260 mm
Savbladstykkelser.....	1,8 mm – 2,0 mm
Spaltekniv stykkelse.....	2,2 mm
Huldiameter	
For lande i Europa.....	30 mm
Maks. snitdybde (H x B) med 260 mm diameter-klinge i listesav-indstilling.	

Skråvinkel	Geringsvinkel
0°	20 mm x 180 mm 68 mm x 155 mm
45° (venstre)	50 mm x 150 mm

Maks. snitdybde ved 90° i bordsav-indstilling (bænkssav-indstilling)	70 mm
Omdrejninger (ubelastet) (min ⁻¹)	2 700
Bordstørrelse (B x L).....	500 mm x 555 mm
Mål (L x B x H1 (bemærk 1)/H2 (bemærk 2))	
i listesav-indstilling.....	660 mm x 650 mm x 1 220 mm / 800 mm
i bordsav-indstilling	660 mm x 650 mm x 1 060 mm / 845 mm
Nettovægt.....	36 kg
Sikkerhedsklasse.....	II/III

(Bemærk 1) H1: Højde op til maskinehoved

(Bemærk 2) H2: Højde op til bord

- På grund af vores kontinuerlige forsknings- og udviklingsprogrammer kan hosstående specifikationer blive ændret uden varsel.
- Specifikationer kan variere fra land til land.
- Vægt i henhold til EPTA-Procedure 01/2003

ENE061-1

Tilsigtet anvendelse

Maskinen er beregnet til præcis lige skæring og gerings-skæring i træ. Maskinen kan anvendes i både listesav-indstilling og bordsav-indstilling ved at man vender bordet omkring dets akse.

ENF002-2

Strømforsyning

Maskinen må kun tilsluttes en strømforsyning med samme spænding som angivet på typeskiltet, og kan kun anvendes på enfaset vekselstrømforsyning. Den er dobbeltisoleret og kan derfor også tilsluttes netstik uden jordforbindelse.

GEA010-1

Almindelige sikkerhedsregler for el-værktøj

⚠ ADVARSEL! Læs alle sikkerhedsadvarsler og alle sikkerhedsinstruktioner. Hvis nedenstående advarsler og instruktioner ikke overholdes, kan resultatet blive elektrisk stød, brand og/eller alvorlig personskade.

Gem alle advarsler og instruktioner til fremtidig reference.

ENB094-6

SIKKERHEDSFORSKRIFTER FOR VENDESAV

GÆLDER BÅDE LISTESAV- OG BORDSAV-(BÆNKSAV) INDSTILLING:

1. Kontroller omhyggeligt klingens for revner eller deformation, inden den tages i brug. Skift straks den beskadigede klinge ud.
2. Brug ikke saven uden beskyttelsesskærme og uden spaltekniven på plads, specielt ikke efter et funktionsskift. Kontroller, at beskyttelsesskærmene er korrekt lukkede inden hver brug. Anvend ikke maskinen, hvis beskyttelsesskærmene ikke bevæger sig frit og lukker øjeblikkeligt. Beskyttelsesskærmene må aldrig klemmes eller bindes til åben position. Uregelmæssigheder i forbindelse med beskyttelsesskærmene bør øjeblikkeligt rettes.
3. Brug kun savklinger, som er specificeret af fabrikanter og er i overensstemmelse med EN847-1. Snittets rillebredde skal være større end spaltekniven, og klingens skal være tyndere end spaltekniven.
4. Anvend ikke savklinger, der er fremstillet af hurtigstål.
5. Brug altid beskyttelsesbriller.
6. Brug høreværn for at reducere risikoen for nedsat hørelse.
7. Brug handsker, når savklingen anvendes (savklinger skal bæres i en holder, når det kan lade sig gøre) eller groft materiale håndteres.
8. Slut maskinen til en støvsamlende anordning, når der saves.
9. Læg altid trykstangen på plads, når den ikke skal anvendes.

10. Hold altid gulvområdet omkring maskinen ryddeligt og fri for løse materialer, f.eks. spåner og afskær.
11. Operatøren er tilstrækkeligt uddannet i brugen, indstillingen og anvendelsen af maskinen.
12. Stop saven og tag den ud af forbindelse, når den er uovervåget.
13. For at reducere den afgivne støj, bør De sikre, at savklingen er skarp og ren.
14. Brug kun savklinger, som er afmærket med en maksimal hastighed, der er den samme som eller større end den ubelastede hastighed, som er afmærket på maskinen.
15. Fjern aldrig afskær eller andre dele af arbejdsstykket fra skærområdet, mens maskinen kører med en ubeskyttet savklinge.
16. Maskinen bør ikke anvendes til notning, falsning eller udkelning.
17. Rengør og vær påpasselig med ikke at beskadige spindelen, flangerne (specielt monteringsfladen) og fastgøringsbolten, inden eller under montering af klingens. Beskadigelse af disse dele kan føre til brud på klingens. Dårlig montering kan føre til vibration/slør eller at klingens glider. Anvend kun flanger, der er anbefalet til brug med denne maskine.
18. Anvend altid kun det tilbehør, der anbefales i denne brugsanvisning. Anvendelse af forkert tilbehør, eksempelvis skæreskiver, kan medføre tilskadekomst.
19. Vælg den rigtige savklinge, som passer til det materiale, der skal skæres.
20. Undgå at skære i metalgenstande, som for eksempel søm og skruer. Insipicer og fjern alle søm, skruer og andre fremmedlegemer fra arbejdsstykket, inden arbejdet påbegyndes.
21. Fjern alle løse knaster fra arbejdsstykket, INDEN arbejdet startes.
22. Anvend ikke maskinen i nærheden af letantændelige væsker eller gasser.
23. Af hensyn til Deres sikkerhed bør spåner, smådele og lignende fjernes fra arbejdsområdet og bordfladen, inden maskinen sættes i forbindelse og arbejdet påbegyndes.
24. Hold hænderne på god afstand af klingens og lad ikke tilskuere eller dig selv komme ind i savklingens bane. Undgå kontakt med klinger, der roterer. De kan være årsag til alvorlig tilskadekomst. Ræk aldrig omkring savklingen.
25. Vær altid agtpågivende, specielt under gentaget, monotont arbejde. Det er farligt at blive lullet ind i en falsk fornemmelse af sikkerhed. Savklingerne er meget farlige.
26. Kontroller, at spindellåsen er udløst, inden der tændes med afbryderen.
27. Før maskinen anvendes på arbejdsstykket, skal den løbe i tomgang i et stykke tid. Undersøg om der forekommer vibrationer eller rystelser, der kan være forårsaget af forkert montering eller manglende afbalancering af savklingen.
28. Påbegynd først savningen, når maskinen er oppe på fulde omdrejninger.

29. Lad være med at fjerne afskær eller andre dele af arbejdsstykket fra skæreamrådet, mens maskinen kører og savhovedet ikke er i udgangsstillingen.
30. Afbryd straks anvendelsen, hvis De bemærker noget unormalt under brugen.
31. Sluk for maskinen og vent, indtil savklingen er standset, inden De flytter arbejdsstykket eller ændrer indstillingerne.
32. Tag maskinen ud af forbindelse, inden De skifter klinge, servicerer den eller lægger den til opbevaring.
33. Støv, som er frembragt under anvendelsen, kan indeholde kemikalier, der er kendt for være kræftfremkaldende, give fødselskader eller anden skade på forplantningsevnen. Nogle eksempler på disse kemikalier er:
 - bly fra materialer, der er malet med blyholdig maling og
 - arsenik eller krom fra kemisk behandlet tømmer.
 Risikoen i forbindelse med udsættelse for disse kemikalier afhænger af, hvor ofte De udfører denne type arbejde. For at reducere udsættelse for disse kemikalier, bør De kun arbejde i veludluftede områder og med anvendelse af godkendt sikkerhedsudstyr, såsom støvmasker, der er specielt konstrueret til at filtrere mikroskopiske partikler.
34. Kontroller, at bordet er godt fastgjort med armen, efter at det er vendt.

VED ANVENDELSE I LISTESAV-INDSTILLING:

35. Anvend ikke saven til at skære i andre materialer end træ, aluminium eller lignende materialer.
36. Udfør ikke nogen savninger på frihånd. Arbejdsstykket skal være ordentligt fastgjort til drejeskiven og anslaget med skruestikken under alle operationer. Hold aldrig arbejdsstykket på plads med hånden.
37. Sørg for, at maskinen er stabil, inden et snit udføres.
38. Understøt lange arbejdsstykker med passende, ekstra støtteanordninger.
39. Skær aldrig et arbejdsstykke, der er så lille, at det ikke kan fastspændes ordentligt i skruestikken. Et arbejdsstykke, der ikke er ordentligt fastspændt, kan medføre tilbageslag og føre til alvorlig tilskadekomst.
40. Kontroller, at drejeskiven er forsvarligt fastgjort, så den ikke flytter sig under arbejdet.
41. Kontroller, at armen er forsvarligt fastgjort, når der skraskæres. Stram armen i retningen med uret for at fastspænde den.
42. Kontroller, at klingens ikke berører drejeskiven i den laveste position og heller ikke berører arbejdsstykket, inden der tændes for maskinen med afbryderen.
43. Hold godt fast i grebet. Vær opmærksom på, at saven bevæger sig en smule op eller ned under start og stop.

VED ANVENDELSE I BORDSAV-INDSTILLING (BÆNKSAV-INDSTILLING):

44. Udfør ikke nogen savninger på frihånd. Frihånd vil sige at man anvender hænderne til at støtte eller lede arbejdsstykket i stedet for kløveanslaget.
45. Kontroller, at drejeskiven er forsvarligt fastgjort.

46. Kontroller, at armen er forsvarligt fastgjort i arbejdspositionen. Stram armen i retningen med uret for at fastspænde den.
47. Anvend en trykstang eller en trykklovs for at undgå at arbejde med hænderne og fingrene for tæt på savklingen.
48. Kontroller, at klingens ikke berører spaltekniven eller arbejdsstykket, inden der tændes for maskinen med afbryderen.
49. Vær særlig opmærksom på anvisningerne for, hvordan man reducerer KAST (KICKBACK). KAST er en pludselig reaktion på en fastklemt, bundet eller skæv savklinge. KAST medfører, at arbejdsstykket slynges bort fra maskinen i retning af operatøren. KAST KAN FØRE TIL ALVORLIG PERSONSKADE. Undgå KAST ved altid at holde klingens skarp, ved at holde kløveanslaget parallelt med klingens, ved at holde spaltekniven og beskyttelseskærmen på plads og i korrekt funktionsstand, ved ikke at frigøre arbejdsstykket, før det er ført hele vejen forbi klingens, og ved ikke at kløve et arbejdsstykke, som er bøjet eller skævt eller som ikke har en lige kant til føring langs anslaget.
50. Undgå abrupt og hurtig fremføring af arbejdsstykket. Før arbejdsstykket frem så langsomt som muligt, når der skæres i hårde arbejdsstykker. Lad være med at bøje eller vride arbejdsstykket under fremføringen. Hvis klingens går i stå eller sætter sig fast i arbejdsstykket, skal De øjeblikkeligt afbryde maskinen. Tag maskinen ud af forbindelse. Afhjælp derefter problemet.
51. Inden maskinen vendes om, skal man altid sikre sig, at stopperstiften har låst maskinhovedet i den laveste stilling.

GEM DISSE INSTRUKTIONER.

⚠ ADVARSEL:

LAD IKKE bekvemmelighed eller kendskab til produktet (opnået gennem gentagen brug) forhindre, at sikkerhedsforskrifterne for produktet nøje overholdes. MISBRUG eller forsømmelse af at følge de i denne brugsvejledning givne sikkerhedsforskrifter kan føre til, at De kommer alvorligt til skade.

MONTERING

FORSIGTIG:

- Hold altid gulvområdet omkring maskinen ryddeligt og fri for løse materialer, som f.eks. spåner og afskær.

Bænk-montering (Fig. 1, 2 og 3)

For opstilling med fuldt forlængede fødder som højt bord

Hvis maskinen ikke kan anbringes stabilt, skal justeringsmøtrikken på foden af maskinen drejes, så der rigtige stabilitet opnås. Drej i retningen mod uret (set ovenfra) for at gøre foden kortere og i retningen med uret (set ovenfra) for at gøre den længere. Kontroller efter indstillingen at maskinen står stabilt.

Monter spændepladen med dens vinklede ende vendende udad på tre af maskinens fødder med sekskantbolte. Fastgør maskinen til en stabil og plant underlag med brug af bolthullerne i spændepladerne og tre bolte.

For opstilling som lavt bord med sammenfoldelige fødder

Når maskinen er parat i fod-sammenfoldningsposition, fastgøres maskinen med brug af de U-formede riller som vist på illustrationen.

FUNKTIONSBEKRIVELSE

FORSIGTIG:

- Kontroller altid, at maskinen er slået fra og taget ud af forbindelse, før der udføres justeringer og kontrolleres funktioner på maskinen.

Beskyttelsesskærm (Fig. 4, 5 og 6)

FORSIGTIG:

- Sørg for, at grebet ikke kan sænkes uden at der trykkes på armen i nærheden af grebet til venstre.
- Sørg for, at de nederste beskyttelsesskærme A ikke åbner, med mindre armen i nærheden af grebet er sat til den øverste grebposition.
- Sørg for, at den nederste beskyttelsesskærm C er monteret, for maskinen anvendes i listesav-indstilling.

Når De sænker grebet og samtidigt trykker armen til venstre, hæver den nederste beskyttelsesskærm A sig automatisk. Den nederste beskyttelsesskærm B hæver sig, når den kommer i kontakt med arbejdsstykket. De nederste beskyttelsesskærme er fjederbelastede og vender tilbage til udgangsstillingen, når snittet er fuldført og grebet atter hæves. Den øverste beskyttelsesskærm kommer til at ligge fladt på bordfladen, når arbejdsstykket er passeret under den. DE NEDERSTE BESKYTTELSESSKÆRME MÅ ALDRIG SÆTTES UD AF FUNKTION ELLER FJERNES. DET SAMME GÆLDER FJEDEREN, DER SIDDER PÅ DEN NEDERSTE BESKYTTELSESSKÆRM ELLER DEN ØVERSTE BESKYTTELSESSKÆRM, med undtagelse af bemærkningen herunder.

I Deres egen sikkerheds interesse, bør De altid holde begge beskyttelsesskærme i forskriftsmæssig stand. Urelmæssigheder i beskyttelsesskærmene gang bør straks afhjælpes. Kontroller, at fjederbelastningen fungerer, og får de nederste beskyttelsesskærme til at gå på plads. BRUG ALDRIG MASKINEN, HVIS DEN NEDERSTE BESKYTTELSESSKÆRM, FJEDEREN ELLER DEN ØVERSTE BESKYTTELSESSKÆRM ER BESKADIGET, DEFEKT ELLER MANGLER, med undtagelse af bemærkningen herunder. DET ER MEGET FARLIGT OG KAN MEDFØRE ALVORLIG PERSONSKADE.

BEMÆRK:

• Der er følgende undtagelse for fjernelse af beskyttelsesskærmene. Kun når maskinen anvendes i bordsav-indstilling, må den nederste beskyttelsesskærm C fjernes. Kun når maskinen anvendes i listesav-indstilling, må den øverste beskyttelsesskærm fjernes.

Hvis en af de transparente beskyttelsesskærme er blevet snavset, eller der sidder så meget savsmuld på den og på en sådan måde, at savklingen ikke længere kan ses tydeligt, bør De tage maskinen ud af forbindelse og omhyggeligt rengøre beskyttelsesskærmene med en fugtig klud. Benyt ikke opløsningsmidler eller rengøringsmidler på petroleumbasis på plasticskærmen.

Hvis den nederste beskyttelsesskærm A er særligt snavset, og der ikke kan ses tydeligt gennem skærmen, skal De gå frem som vist herunder. Hæv grebet helt. Fjern savklingen (vi henviser til afsnittet "Montering og afmontering af savklingen"). Hæv den nederste beskyttelsesskærm A, idet De samtidigt trykker armen til venstre. Når den nederste beskyttelsesskærm A er anbragt sådan, vil rengøringen kunne udføres mere grundigt og effektivt. Når rengøringen er færdig, udføres fremgangsmåden i modsat rækkefølge og boltten fastspændes.

I det samme tilfælde som for den øverste beskyttelsesskærm, trykkes knappen på forsiden til overfladen ind, og fjern den øverste beskyttelsesskærm. Efter rengøringen skal beskyttelsesskærmen altid sættes tilbage på plads igen.

Hvis en af beskyttelsesskærmene skulle blive misfarvet med tiden, eller som følge af ultraviolet bestråling, bør De kontakte en Makita service-center for at få en ny beskyttelsesskærm. **BESKYTTELSESSKÆRMENE MÅ ALDRIG SÆTTES UD AF KRAFT ELLER FJERNES.**

Sikring af maksimal skæredybde (Fig. 7)

Denne maskine er fra fabrikkens side indstillet til at give den maksimale skæredybde med en 260 mm savklinge. Når der monteres en ny savklinge, skal den nedre grænseposition på klingens altid kontrolleres, og, såfremt det er påkrævet, justeres som følger:

FORSIGTIG:

- Tag maskinen ud af forbindelse, når denne justering udføres.

Tag først netstikket ud. Sænk grebet fuldstændigt. Anvend en nøgle til at dreje justeringsboltten, indtil klingepreiferien stikker en smule længere ned end overfladen på drejeskiven på det sted, hvor fronten på anslaget møder overfladen på drejeskiven.

Stadig med netstikket trukket ud, drejes savklingen med hånden, mens grebet holdes helt nede, således at det sikres at savklingen ikke berører nogen del af den nederste bund. Genindstil om nødvendigt om smule.

FORSIGTIG:

- Efter montering af en ny savklinge, skal det altid sikres, at klingens ikke er i kontakt med nogen dele af den nedre bund, når grebet er fuldstændigt sænket. Udfør altid dette, mens maskinen er taget ud af forbindelse.

Denne maskine kan anvendes med eller uden den nederste grænse ved at man skifter det nederste grænseanslag som vist på illustrationen. (Fig. 8)

For at anvende maskinen uden den nederste grænse, skal anslagsenden drejes i retningen mod uret. Anvend i denne position ved skæring af brede og tynde arbejdsstykker.

For at anvende maskinen med den nederste grænse, skal anslagsenden flyttes i retningen med uret. Anvend i denne position ved skæring af tykke arbejdsstykker.

Justering af geringsvinkel (Fig. 9 og 10)

Løsn blokeringskrue på anslaget ved at dreje den i retningen mod uret. Drej drejeskiven med hånden. Når De har flyttet grebet til den position, hvor viseren peger på den ønskede vinkel på geringskalaen, strammes blokeringskrue godt til i retningen med uret.

FORSIGTIG:

- Når drejeskiven drejes, skal grebet være helt hævet.
- Efter ændring af geringsvinklen, skal drejeskiven altid sikres ved at blokeringskrue spændes stramt til.

Justering af skråvinkel (Fig. 11 og 12)

I listesav-indstilling

For at justere vinklen ved skråsnit, løsnes håndtaget bag på maskinen i retningen mod uret.

Tryk grebet mod venstre for at hælede savklingen, indtil viseren står ud for den ønskede vinkel på vinkelskalaen. Stram dernæst armen til i retningen med uret for at holde armen på plads.

FORSIGTIG:

- Når savklingen hældes, skal grebet altid være helt hævet.
- Efter ændring af skråsnitvinklen, skal armen altid sikres ved at den spændes i retningen med uret.

I bordsav-indstilling (Fig. 13)

For at justere skråsnitvinklen, løsnes armen under bordet ved fronten af maskinen i retningen mod uret.

Flyt dybdeindstillingsknappen til venstre for at hælede savklingen, indtil viseren står ud for den ønskede vinkel på vinkelskalaen. Stram dernæst armen til i retningen med uret for at holde armen på plads.

Afbryderfunktion (Fig. 14)

Afbryder til listesav-indstilling

FORSIGTIG:

- Inden maskinen sættes i forbindelse, bør det altid kontrolleres, at afbryderkontakten fungerer korrekt og returnerer til "OFF"-stillingen, når den slippes.
- Når maskinen ikke anvendes, fjernes aflåseknappen, og den opbevares på et sikkert sted. Dette forhindrer, at uvedkommende anvender maskinen.
- Tryk ikke for hårdt på afbryderkontakten, uden først at trykke aflåseknappen ind. Dette kan ødelægge afbryderkontakten.

For at forhindre at afbryderkontakten trykkes ind ved et uheld, er maskinen udstyret med en aflåseknop. For at starte maskinen, låsearmen til venstre, aflåseknappen trykkes ind, og afbryderkontakten trykkes ind. Slip afbryderkontakten for at stoppe.

Afbryder til bordsav-indstilling

FORSIGTIG:

- Kontroller, at der er tændt og slukket for maskinen, inden den startes.

For at starte maskinen, trykkes på ON (I) knappen. For at stoppe den, trykkes på OFF (O) knappen.

Indstilling af snittets dybde (Fig. 15)

Dybden af snittet kan indstilles ved at man drejer skæredybdeindstillingsknappen. Drej skæredybdeindstillingsknappen i retningen med uret for at hæve klingen, og i retningen mod uret for at sænke den.

ADVARSEL:

- Anvend en lille dybdeindstilling ved skæring i tynde materialer, således at der opnås et renere snit.

FORSIGTIG:

- Befæstelsesstiften kan ikke drejes med maskinhovedet i fuldt sænket position. Drej på dette tidspunkt knappen en smule i retningen mod uret, hvorefter befæstelsesstiften kan frigøres. (Fig. 16)

Overbelastningsbeskytter

- Kun maskiner beregnet til 200 V eller højere strømforstyrning. Vi henviser til fabrikkens skiltet på maskinen angående mærkespændingen.

- Hvis maskinens belastning overstiger de tilladte niveauer, vil strømtilførslen til motoren blive reduceret med det formål at beskytte motoren mod overophedning. Når belastningen er returneret til de tilladte niveauer, vil maskinen igen fungere normalt.

SAMLING

FORSIGTIG:

- Sørg altid for at maskinen er slukket og netstikket taget ud, før der foretages noget arbejde på selve maskinen.

Opbevaring af sekskantsnøglen (Fig. 17)

Sekskantsnøglen opbevares som vist på illustrationen. Tag sekskantsnøglen ud af nøgleholderen, når den skal anvendes. Læg den tilbage i nøgleholderen, når den ikke skal anvendes mere.

To måder til indstilling af bordhøjde

Bordhøjden kan indstilles på to måder, nemlig højt eller lavt bord.

ADVARSEL:

- Inden maskinen lægges bagud, skal den altid indstilles til listesav-indstilling og maskinhovedet skal låses i den laveste position.

1. Indstilling af højt bord (Fig. 18)

Gå frem som vist herunder for at indstille maskinen med højt bord.

- (1) Læg maskinen forsigtigt BAGUD på korrekt vis, idet De holder fast i den med begge hænder.
- (2) Drej krogen i pilens retning som illustreret for at frigøre fødderne. Åbn bordfødderne på den ene side og tryk den nederste stang på fødderne fremad, så en selvåbning finder sted. Udfør det samme for fødderne på den modsatte side. Sørg for, at fødderne på begge sider er fuldstændig låst.

ADVARSEL:

- Sørg for, at stopperkroge er korrekt anbragt i rillen på støtten.
- (3) Returner maskinen til opret position.

2. Indstilling af lavt bord (Fig. 19)

Fødderne kan foldes sammen som vist på illustrationen. For at lægge maskinen ned, gøres følgende.

- (1) Læg maskinen forsigtigt BAGUD på korrekt vis, idet De holder fast i den med begge hænder.
- (2) Træk først stopperen op ved leddet på den venstre fod mod Dem for at frigøre det.
- (3) Udfør det samme som for fødderne i den anden side som beskrevet herover.
- (4) Brug en krog til at fastgøre disse fødder.
- (5) Returner maskinen til opret position.

Montering og afmontering af savklingen

FORSIGTIG:

- Sørg altid for, at maskinen er slukket og netstikket taget ud, før savklingen monteres eller afmonteres.
- Anvend kun den sekskantsnøgle, der er leveret af Makita, til at montere eller afmontere savklingen. I modsat fald kan en for hård eller for let tilspænding af boltene med indvendig sekskant forekomme. Dette kan medføre personskader.

Flyt grebet til den helt hævede position.

Tryk på spindellåsen, således at savklingen ikke kan dreje, og løsn boltene med indvendig sekskant ved at dreje den i retningen med uret med sekskantsnøglen. (Fig. 20)

Hæv beskyttelseskærm A med dens løftearm, idet De trykker armen i nærheden af grebet til venstre. Med beskyttelseskærm A hævet, fjernes bolten med indvendig sekskant, den ydre flange og savklingen. (Fig. 21)

For at montere savklingen, sættes denne forsigtigt på spindelen, idet De forvisser Dem om, at pilens retning på savklingen stemmer overens med pilens retning på klingehuset. Monter den ydre flange og bolten med indvendig sekskant, og benyt derefter topnøglen til at spænde bolten med indvendig sekskanten (venstreskåret gevind) fast ved at dreje den mod uret, mens De trykker på spindelåsen. (Fig. 22 og 23)

BEMÆRK:

- Når en savklinge monteres, skal man huske altid først at sætte den ind mellem beskyttelseskærm B og derefter hæve den, således at klingens til sidst anbringes i beskyttelseskærm B.

FORSIGTIG:

- Ringen med en udvendig diameter på 25,4 mm eller 30 mm er fabriksmonteret på spindelen. Før savklingen monteres på spindelen, bør det altid kontrolleres, at den korrekte ring, der svarer til skaffthullet i den savklinge, som De agter at bruge, er monteret på spindelens. (Fig. 24)

Sæt den nederste beskyttelseskærm A tilbage til på plads. Sænk grebet for at sikre, at de nederste beskyttelseskærme bevæger sig korrekt. Sørg for, at spindelåsen er udløst, før der saves.

Indstilling af spaltekniven

Der skal være et mellemrum på omkring 5 – 6 mm mellem spaltekniven og klingetænderne, når spaltekniven er trykket hele vejen mod klingens. Indstil spaltekniven korrekt ved først at løse spændemøtrikken i retningen mod uret med hånden og derefter løse sekskantbolten i retningen mod uret med sekskantnøglen og måle afstanden. Efter indstillingen strammes bolten med indvendig sekskant og derefter spændemøtrikken godt til. Kontroller altid, at spaltekniven er fastspændt og at den øverste beskyttelseskærm fungerer problemfrit, inden der skræres. (Fig. 25 og 26)

Spaltekniven er monteret på fabrikken inden forsendelsen, således at klingens og spaltekniven er i lige linje efter en enkel indstilling. Vi henviser til afsnittet "Genplacering af spaltekniven" angående indstilling. (Fig. 27)

FORSIGTIG:

- Hvis klingens og spaltekniven ikke er korrekt rettet ind, kan der opstå en farlig fastklemning under savningen. Sørg for, at spaltekniven er placeret mellem de to ydre ender på klingetænderne set ovenfra. Der er risiko for alvorlig tilskadekomst, hvis maskinen anvendes med spaltekniven forkert indstillet. Hvis den af en eller anden årsag ikke er rettet korrekt ind, skal den serviceres på et autoriseret Makita-servicecenter.
- Når spalteknivens afstand fra klingetænderne indstilles, skal bolten med indvendig sekskant først løses, når spændemøtrikken er løst.

Montering og indstilling af kløveanslaget (Fig. 28)

1. Monter kløveanslaget på bordet, således at kløveanslagsholderen griber ind i styreskinnen. Stram blokeringskruen (B) på kløveanslaget godt til i retningen med uret.
2. Løsn blokeringskruen (A).

3. Skyd kløveanslaget i stilling og fastgør det således, at den fjerne ende (set fra Dem) af kløveanslaget er på linje med det punkt, ved hvilket forkanten af savklingen lige netop stikker frem fra overfladen af arbejdsstykket. Formålet med denne indstilling er at reducere risikoen for kast (kick-back) mod operatøren, at afskære fra arbejdsstykket klemmes fast mellem savklingen og kløveanslaget og til sidst trykkes ud mod operatøren. Linjen (A) varierer alt efter arbejdsstykkets tykkelse eller bordets niveau. Indstil positionen af kløveanslaget i overensstemmelse med tykkelsen af arbejdsstykket.

Efter indstillingen af kløveanslaget, strammes blokeringskruen (A) godt til. (Fig. 29)

BEMÆRK:

- Der er fire mønstre til placering af kløveanslaget som vist på illustrationen. Kløveanslaget har to spalter på siderne, den ene spalte med en hævet rand i nærheden på den samme side og den anden uden. Anvend kun kløveanslagets flade med denne rand vendende mod arbejdsstykket, når der skræres i tynde arbejdsstykker.
- For at skifte kløveanslagsmønster, fjernes kløveanslaget fra kløveanslagsholderen ved at man løsner blokeringskruen (A) og skifter kløveanslagets anlæg til kløveanslagsholderen i overensstemmelse med arbejdet som vist på illustrationen.

Sæt den firkantede møtrik på kløveanslagsholderen ind i bagenden på hver spalte på kløveanslaget, således at den passer som vist på illustrationen.

For at skifte fra mønster A eller B til mønster C eller D, eller vice versa, skal man fjerne den firkantede møtrik og blokeringskruen (A) fra kløveanslagsholderen og derefter anbringe blokeringskruen (A) og den firkantede møtrik på den modsatte position af kløveanslagsholderen, sammenlignet med udgangspositionen. Stram blokeringskruen (A) godt til, efter at kløveanslagsholderens firkantede møtrik er sat ind i kløveanslagets spalte.

Sæt den firkantede møtrik på kløveanslagsholderen ind i bagenden på hver spalte på kløveanslaget, således at de passer ind som vist på illustrationen. (Fig. 30 og 31)

Kløveanslaget er på fabrikken indstillet således, at det er parallelt med klingens overflade. Bekræft at det er parallelt. For at kontrollere, at kløveanslaget er parallelt med klingens, indstilles klingens højde med skæredybdeindstillingsknappen, så klingens stikker frem i den øverste position fra bordet. Afmærk en af klingetænderne med en blyant. Mål afstanden (A) og (B) mellem kløveanslag og klinge. Tag begge mål ved hjælp af den med blyant afmærkede tand. Disse to mål bør være identiske. Hvis kløveanslaget ikke er parallelt med klingens, udføres nedenstående: (Fig. 32 og 33)

- (1) Drej justeringskruen i retningen mod uret.
- (2) Flyt forkanten på kløveanslaget en smule til højre eller venstre, indtil den er parallel med klingens.
- (3) Stram justeringskruen på kløveanslaget godt til.

FORSIGTIG:

- Sørg for at indstille kløveanslaget således, at det er parallelt med klingens, da der ellers kan opstå farlige kast (kickback).
- Sørg for at indstille kløveanslaget således, at det ikke kommer i berøring med den øverste beskyttelseskærm eller savklingen. (Fig. 34)
- Lad være med at flytte eller bære maskinen i kløveanslaget.

- Hvis det monterede kløveanslag hæves eller De udsætter det for tryk i højre og venstre side med hånden på dets øverste ende, kan resultatet blive, at det lider skade og at dets funktion svækkes.

Montering og indstilling af geringslæren (Fig. 35)

Monter geringslæren ved at sætte dens skaft ind i en af de to riller i bordet fra forsiden. Geringslæreanslaget, som også anvendes som kløveanslag, kan monteres på geringslæren, alt efter hvilket arbejde, der skal udføres.

Støvpose

Anvendelse af støvposen giver et renere arbejdsmiljø og gør opsamling af støv nemmere. Støvposen sættes på ved at posens åbning føres ned over udblæsningsstudsen. (Fig. 36)

Når støvposen er cirka halvt fyldt, tages den af maskinen, og lukkeskinnen trækkes ud. Tøm støvposen og bank let på den, så de støvpartikler, der har samlet sig på de indvendige flader, også fjernes, da de ellers kan nedsætte effektiviteten af støvopsamlingen. (Fig. 37)

Hvis De tilslutter en støvsuger til denne maskine, kan der opnås en renere og mere effektiv udsugning. (Fig. 38)

Knæsamlng (Fig. 39)

FORSIGTIG:

- Ret udstøvsåbningen på knæsamlngen i en retning, hvor støv og spåner ikke blæses ud mod maskinen og personer i arbejdsområdet.

Monter knæsamlngen, når retningen af støvudblæsnngen ændres.

Fastspænding af arbejdsstykket

ADVARSEL:

- Det er meget vigtigt altid at fastspænde arbejdsstykket godt og stramt med skruestikken. Gøres dette ikke, kan maskinen lide skade og/eller arbejdsstykket kan blive ødelagt. DER ER OGSÅ RISIKO FOR PERSONSKADE. Efter anvendelse af maskinen, må savklingen IKKE hæves, før den er fuldstændig stoppet.

Underanslaget (Fig. 40)

Underanslaget kan monteres på anslaget. Når der udføres venstre skrånsnikskæringer eller skæring som bordsav (bænk-funktion), skal underanslaget fjernes.

FORSIGTIG:

- Når der udføres venstre skrånsnikskæringer eller skæring som bordsav (bænk-funktion), skal underanslaget fjernes. Ellers vil det komme i berøring med klingene eller en del af maskinen, med risiko for at operatøren kommer alvorligt til skade.

Lodret skruestik (Fig. 41)

Den lodrette skruestik kan monteres i to positioner på enten den venstre eller højre side af anslaget. Sæt skruestangen ind i hullet på anslaget og stram blokeringskruen til for at holde skruestangen på plads.

Indstil skruearmen efter arbejdsstykkets tykkelse og form og fastspænd den ved hjælp af blokeringskruen. Hvis skruen til fastspænding af skruearmen kommer i kontakt med anslaget, skal blokeringskruen monteres på den modsatte side af skruearmen. Sørg for, at ingen del af maskinen kommer i kontakt med skruestikken, når håndtaget sænkes helt. Hvis der er dele, som berører skruestikken, skal skruearmen genindstilles.

Tryk arbejdsstykket fladt mod anslaget og drejeskiven. Juster arbejdsstykket til den ønskede skæreposition og fastgør det ved at stramme skruen på godt til.

FORSIGTIG:

- Arbejdsstykket skal være helt fastspændt mod drejeskiven og anslaget.

Klargøring af maskinen i bordsav-indstilling

FORSIGTIG:

- Inden maskinen anvendes i bordsav-indstilling, skal man sørge for, at drejeskiven er fastgjort ved en geringsvinkel på 0° med blokeringskruen på anslaget.
- Før anvendelse i bordsav-indstilling, skal man sørge for, at maskinhovedet er fastgjort med armen.
- Før anvendelse i bordsav-indstilling, skal man sørge for, at spaltekniven er fastgjort på korrekt vis.
- Før anvendelse i bordsav-indstilling, skal man fjerne den nederste beskyttelsesskærm C.
- Frigør det nederste grænseanslag i bordsav-indstilling.

Maskinen leveres fra fabrikken i liste-sav-indstilling. Før anvendelse i bordsav-indstilling, skal man ændre indstillingen og gå frem som vist herunder.

1. Fastgøring af drejeskiven (Fig. 42)

For at fastgøre drejeskiven, strammes fastspændingskruen godt til på anslaget ved 0° geringsvinkel.

2. Fastspænding af maskinhovedet (Fig. 43)

Fastspænd maskinhovedet ved at stramme armen i retningen vist med pilen som vist på illustrationen.

3. Frigørelse af det nederste grænseanslag (Fig. 44)

Sørg for, at enden på det nederste grænseanslag er i A-positionen som vist på illustrationen. Drej enden på det nederste grænseanslag i retningen mod uret til A-positionen, når den er placeret ved B-positionen.

4. Genindstilling af spaltekniven (Fig. 45)

Positionen (Fig. 45-A) skal ændres som vist herunder.

(1) Løsn af spændemøtrikken. (Fig. 45-B)

(1) Træk og drej spaltekniven til positionen ved vinklen på 90° i retningen vist med pilen. (Fig. 45-C) Tryk den en smule ind, så den forbliver i denne position.

(3) Hæv den nederste beskyttelsesskærm A helt med hånden ved hjælp af dens lap, idet De trykker armen nær grebet til venstre, og slip derefter armen nær grebet. (Fig. 45-D)

(4) Tryk spaltekniven i retningen vist med pilen (se Fig. 45-E), så den er på linje med savklingen.

(5) Efter at spaltekniven er trykket i retningen vist med pilen som vist på illustrationen, frigøres den nederste beskyttelsesarm A.

(6) Efter at spaltekniven er rettet ind, strammes spændemøtrikken godt til (se Fig. 45-F).

5. Afmontering af den nederste beskyttelsesskærm C (Fig. 46)

Fjern den nederste beskyttelsesskærm C fra bordet ved at løsne blokeringskruen.

6. Låsning af maskinhovedet i helt sænket position (Fig. 47 og 48)

Efter indstilling af spaltekniven i positionen for bordsav-indstilling, drejes anslaget i retning af pilen A og drejes til en vinkel på 90° i retningen vist med pilen B, med anslaget trukket. Sænk derefter grebet for at låse maskinhovedet.

FORSIGTIG:

- Hvis maskinhovedet ikke kan låses i den helt sænkede position, skal dybdeindstillingsknappen drejes flere omgange i retningen med uret.
- Inden maskinen vendes om, skal man altid sikre sig, at stopperstiften har låst maskinhovedet i den laveste position.

7. Vending af maskinen (Fig. 49)

ADVARSEL:

- Sørg for, at maskinen er slukket og taget ud af forbindelse, inden den vendes.
- Når armen trykkes ned, skal man sørge for at holde hånden/fingeren på god afstand af arm-bord-monteringsområdet.

Hold midterkanten på bordet med den ene hånd, tryk armen ned med den anden hånd, idet De holder godt fast i bordkanten, og drej bordet forsigtigt for at vende det. Hold det fast, indtil det låses fast.

8. Montering af den øverste beskyttelsesskærm (Fig. 50)

Tryk den øverste beskyttelsesskærms trykknop til dens sideflade, anbring den på spalteknivens indskæring med knappen trykket ned, og frigør knappen.

Sørg for, efter at trykknappen er frigjort, at den øverste beskyttelsesskærm er fastgjort ved at prøve at trække den ud.

FORSIGTIG:

Kontroller, når den øverste beskyttelsesskærm er monteret, at den fungerer problemfrit.

Indstilling af maskinen til listesav-indstilling (Fig. 51)

ADVARSEL:

- Sørg for at montere den nederste beskyttelsesskærm C, inden maskinen anvendes i listesav-indstilling.

For at ændre indstillingen fra bordsav-indstilling til listesav-indstilling, skal De gå frem i modsat rækkefølge af proceduren i afsnittet "Klargøring af maskinen i bordsav-indstilling".

1. Afmontering af den øverste beskyttelsesskærm

Tryk den øverste beskyttelsesskærms trykknop til dens sideflade, og tag øverste beskyttelsesskærme ud ved at trække den opad med knappen trykket ind.

2. Montering af den nederste beskyttelsesskærm C

Anbring den nederste beskyttelsesskærm C på bordet, så den passer ind i åbningen på bordet, og stram derefter blokeringskraven godt til.

3. Vending af maskinen

Vi henviser til afsnittet med titlen "Klargøring af maskinen i bordsav-indstilling".

4. Frigørelse af maskinhovedet fra helt sænket position

Hold i grebet og træk samtidigt befæstelsesskærm A i retningen vist med pilen A, drej den til vinklen 90° i retningen vist med pilen B med befæstelsesskærm A trukket, og hæv derefter grebet langsomt.

5. Genplacering af spaltekniven (Fig. 52)

Spalteknivens position (Fig. 52-A) bør ændres som vist herunder.

- (1) Løsn spændemøtrikken og hold den nederste beskyttelsesskærm A i dens lap med hånden. (Fig. 52-B)
- (2) Hold i den nederste beskyttelsesskærm A og træk samtidigt i spaltekniven, så den drejer, og drej den til positionen i pilens retning. (Fig. 52-C)
- (3) Med spaltekniven holdt i denne position, sættes den nederste beskyttelsesskærm A tilbage til udgangsstillingen, og spændemøtrikken strammes godt til. (Fig. 52-D og E)

ANVENDELSE

FORSIGTIG:

- Før betjening bør grebet altid frigøres fra den nederste position ved at man trækker i befæstelsesskærm A og drejer den til en vinkel på 90°.
- Sørg for, at savklingen ikke berører arbejdsstykket etc. før maskinen startes.

SKÆRING SOM LISTESAV

ADVARSEL:

- Sørg for, at den nederste beskyttelsesskærm C er monteret, før maskinen anvendes i listesav-indstilling.

FORSIGTIG:

- Læg ikke for meget tryk på grebet, når der saves. Et for kraftigt tryk kan resultere i overbelastning af motoren og/eller formindsket savekapacitet. Tryk kun grebet ned med så megen kraft, som der kræves for at udføre ubesværet savning og uden at klingens hastighed reduceres ret meget.
- Tryk grebet forsigtigt ned for at udføre savningen. Hvis grebet trykkes ned med magt, eller hvis det udsættes for sidelæns tryk, vil savklingen vibrere og efterlade et mærke (savmærke) på arbejdsstykket, ligesom savningen ikke vil blive nøjagtig.

1. Tryksnit (Fig. 53)

Fastgør arbejdsstykket mod anslaget og drejeskiven. Tænd for maskinen, uden at savklingen berører arbejdsstykket, og vent til klingens har er kommet op på fuld omdrejningshastighed, før den sænkes. Sænk derefter grebet forsigtigt til den laveste position for at skære arbejdsstykket. Når snittet er afsluttet, skal De slukke for maskinen og VENTE TIL SAVKLINGEN STÅR HELT STILLE, før savklingen bringes tilbage til dens øverste position.

2. Geringsssnit

Vi henviser til det tidligere afsnit "Justering af geringsvinklen".

3. Skrånsnit (Fig. 54)

Løsn armen og vip savklingen for at indstille vinklen til skrånsnit. (Vi henviser til det tidligere afsnit "Justering af skrånvinkel"). Sørg for at spænde armen godt fast igen, så skrånsnitvinklen ikke ændrer sig. Fastgør arbejdsstykket mod anslaget og drejeskiven. Tænd for maskinen, uden at savklingen berører arbejdsstykket og vent, til klingens er nået op på fuld omdrejningshastighed. Sænk derefter forsigtigt grebet til den laveste position, mens der lægges tryk parallelt med savklingen. Når snittet er afsluttet, skal De slukke for maskinen og VENTE TIL SAVKLINGEN STÅR HELT STILLE, før savklingen bringes tilbage til dens øverste position.

FORSIGTIG:

- Kontroller altid, at savklingen bevæger sig ned i skrånsnittets retning, når der udføres skrånsnit. Hold hænderne væk fra savklingens bane.
- Når der udføres skrånsnit, kan der opstå en situation, hvor det afskårne stykke hviler mod siden af savklingen. Hvis savklingen løftes, mens den stadig roterer, kan dette fraskær blive fanget i savklingen, og små stykker fraskær kan blive slynget væk, hvilket er meget farligt. Savklingen må KUN løftes, efter at den er stoppet fuldstændigt.
- Når grebet trykkes ned, skal dette gøres samtidigt med at savklingen trykkes ned. Hvis trykket ikke er parallelt med savklingen, kan savklingens vinkel forrykke sig, hvorved snittets nøjagtighed forringes.

- Fjern altid underanslaget, når der udføres venstre skråsnitskæringer.

4. Kombineret snit

Kombineret snit er betegnelsen for den proces, hvor der frembringes en skråvinkel samtidig med at der laves en geringsvinkel i arbejdsstykket. Kombineret snit kan udføres i en vinkel som vist i nedenstående tabel.

Skråvinkel	Geringsvinkel
45°	Venstre og højre 0° – 45°

006366

Se forklaringerne i "Tryksnit", "Geringsssnit" og "Skråsnit", når der udføres kombineret snit.

5. Skæring af aluminium-profiler (Fig. 55)

Når aluminium-profiler fastspændes, skal der anvendes afstandsklodser eller stykker af affaldstræ som vist på illustrationen for at forhindre, at aluminiumet bliver bøjet. Anvend skæreolie, når der skæres aluminium-profiler, for at forhindre, at der sætter sig aluminium på savklingen.

FORSIGTIG:

- Forsøg aldrig at skære tykke eller runde aluminium-profiler. Tykke aluminium-profiler kan løsne sig under arbejdet, og runde profiler kan ikke fastspændes godt nok med denne maskine.
- Skær aldrig aluminium i bordsav-indstillingen (bænk-indstilling).

SKÆRING SOM BORDSAV (BÆNK-INDSTILLING)

FORSIGTIG:

- Anvend altid "hjælpeanordninger" som for eksempel trykstænger og trykklodser, hvis der er fare for, at hænder og fingre kommer for tæt på savklingen.
- Hold altid arbejdsstykket fast med bordet og kløveanslaget. Arbejdsstykket må ikke bøjes eller vrides under fremføringen. Hvis arbejdsstykket er bøjet eller skævt, kan der opstå farlige kast (kickback).
- Træk ALDRIG arbejdsstykket tilbage, mens bladet roterer. Hvis det er nødvendigt at trække arbejdsstykket tilbage, inden snittet er fuldført, skal der først slukkes for maskinen, mens De holder godt fast i arbejdsstykket. Vent indtil savklingen er stoppet fuldstændigt, før arbejdsstykket trækkes tilbage. Forsømmelse af dette kan medføre farlige kast (kickback).
- Fjern ALDRIG fraskær, mens savklingen roterer.
- Før ALDRIG hænder eller fingre ind i savklingsbane.
- Fastspænd altid kløveanslaget forsvarligt, da der ellers kan opstå farlige kast (kickback).
- Anvend altid "hjælpeanordninger" som for eksempel trykstænger og trykklodser, når der skæres i små eller smalle arbejdsstykker, eller når hovedet er skjult under skæringen.
- Når der skæres som bordsav (bænk-funktion), skal underanslaget fjernes.

Hjælpeanordninger

Trykstænger, trykklodser eller hjælpeanslag er forskellige typer "hjælpeanordninger". Anvend dem til at udføre sikkerhedsmæssigt forsvarlige snit, uden at operatøren behøver at komme i berøring med savklingen med nogen del af kroppen.

Trykklod (Fig. 56)

Anvend et 19 mm stykke krydsfiner.

Grebet bør være i midten af krydsfinerstykket. Fastgør med lim og træskruer som vist på illustrationen. Et lille stykke 9,5 mm x 8 mm x 50 mm træ skal altid limes på krydsfineret for at forhindre at savklingen sløves, hvis operatøren ved en fejltagelse skærer ind i trykklossen. (Anvend aldrig søm i trykklossen.)

Hjælpeanslag (Fig. 57)

Lav et hjælpeanslag af 9,5 mm og 19 mm krydsfinerstykker.

Kløvning

FORSIGTIG:

- Når der udføres kløvning, skal geringslæren fjernes fra bordet.
 - Når der skæres i lange eller store arbejdsstykker, skal der altid tilvejebringes tilstrækkelig støtte bag bordet. Tillad IKKE, at en lang plade flytter sig eller bevæger sig på bordet. Dette vil resultere i, at savklingen binder og øge risikoen for kast (kickback) og personskade. Støtten bør være i samme højde som bordet.
1. Indstil dybden af snittet til en smule højere end tykkelsen af arbejdsstykket. Vi henviser til afsnittet "Indstilling af dybden af snittet", hvad angår denne justering.
 2. Anbring kløveanslaget til den ønskede kløvebredde og fastgør det ved at stramme blokeringskruen (A). Kontroller, inden kløvningen udføres, at de to skruer på kløveanslagholderen er strammet. Stram dem, hvis de ikke er strammet tilstrækkeligt.
 3. Tænd for maskinen og før arbejdsstykket forsigtigt ind i savklingen langs kløveanslaget.
- (1) Hvis bredden af kløvningen er 150 mm og bredere, føres arbejdsstykket forsigtigt frem med den ene hånd. Anvend den anden hånd til at holde arbejdsstykket i stilling mod kløveanslaget. (Fig. 58)
 - (2) Hvis bredden af kløvningen er 65 mm – 150 mm bred, føres arbejdsstykket frem med trykstangen. (Fig. 59)
 - (3) Hvis bredden af kløvningen er mindre end 65 mm, kan trykstangen ikke anvendes, fordi den vil ramme beskyttelsesskærmen. Anvend hjælpeanslaget og trykklossen.
- Monter hjælpeanslaget på kløveanslaget ved hjælp af to "C" skruetvinger. (Fig. 60)
- Fremfør arbejdsstykket med hånden, indtil enden er omkring 25 mm fra forkanten af topbordet. Fortsæt med at fremføre arbejdsstykket med trykklossen overst på hjælpeanslaget, indtil snittet er fuldført. (Fig. 61)

Tværsnit

FORSIGTIG:

- Når et tværsnit udføres, skal kløveanslaget fjernes fra bordet.
- Når der skæres i lange eller store arbejdsstykker, skal der altid tilvejebringes tilstrækkelig støtte til siderne af bordet. Støtten bør være i samme højde som bordet.
- Hold altid hænderne væk fra savklingsbane.

Geringslære (Fig. 62)

Anvend geringslæren til de 4 typer snit som vist på illustrationen herunder.

FORSIGTIG:

- Stram knappen på geringslæren godt til.
- Undgå at arbejdsstykket og læren forrykker sig ved at holde arbejdsstykket fast, specielt når der skæres i en vinkel.
- Man må ALDRIG holde eller tage fat i den planlagte "afskærrings" del på arbejdsstykket.

Anvendelse af geringslæren (Fig. 63)

Skyd geringslæren ind i de tykke riller på bordet. Løsn knappen på læren og indstil den ønskede vinkel (0° til 60°). Før blokken op mod anslaget og før den forsigtigt ind i savklingen.

Hjælpetræanlæg (geringslære) (Fig. 64)

For at forhindre et langt bræt i at kaste sig, skal geringslæren udstyres med et hjælpetræanlæg. Fastgør træanlægget med bolte/møtrikker, men disse må ikke stikke frem fra pladen.

Transport af maskinen (Fig. 65)

Sørg for at maskinen er taget ud af forbindelse med lysnettet. På en maskine, som anvendes i listesav-indstilling, skal klingens fastgørelse ved 0° skråvinkel og drejeshjulet ved 0° geringsvinkel. Sænk grebet helt og lås det i den sænkede position ved at trykke befæstelsesstiften helt ind.

Bær maskinen ved at holde den i den del, som er vist på illustrationen. (Fig. 66)

FORSIGTIG:

- Fastgør altid alle bevægelige dele, inden maskinen transporteres.
- Indstil altid maskinen til listesav-indstilling, inden den transporteres.
- Sørg for, at den nederste beskyttelsesskærm C er monteret på maskinen.

VEDLIGEHOLDELSE

FORSIGTIG:

- Kontroller altid, at maskinen er slået fra, og at netstikket er trukket ud, før der udføres eftersyn eller vedligeholdelse.
- Anvend aldrig benzin, rensebenzin, fortynder, alkohol og lignende. Resultatet kan blive misfarvning, deformation eller revner.

ADVARSEL:

- Sørg altid for, at klingens skarpe og rene, således at den bedste og sikreste ydelse opnås.

Indstilling af skærevinklen

Denne maskine er omhyggeligt indstillet og justeret fra fabrikkens side, men indstillingerne kan have ændret sig under transport og brug. Udfør følgende, hvis maskinen ikke er indstillet korrekt:

1. Geringsvinkel

Geringsvinkel 0° justeringsboltene er anbragt på fire steder.

Løsn de fire geringsvinkel 0° justeringsbolte ved at dreje dem i retningen mod uret fra undersiden af bordet. (Fig. 67)

Sænk grebet helt og lås det i den sænkede position ved at trække i og dreje befæstelsesstiften til 90° vinklen i retningen med uret. Anbring savklængens side i en ret vinkel til anslagetets forside ved hjælp af en trekantslineal, anslagsvinkel etc. Fastspænd dernæst de fire justeringsbolte på armen i rækkefølge fra undersiden af bordet. Sørg for, at viseren står ud for 0° på geringslæren. Hvis den ikke gør det, skal viserpositionen justeres ved at man løsner skruen, som fastholder viseren. Efter justeringen strammes skruen godt til. (Fig. 68)

2. Skråvinkel

(1) 0° skråvinkel

Sænk grebet helt og lås det i den sænkede position ved at trække i og dreje befæstelsesstiften til 90° vinklen i retningen med uret. Løsn armen på bag på maskinen.

Drej, fra undersiden af bordet, 0° skråvinkeljusteringsboltens på højre side af underarmen eller tre omgange i retningen mod uret for at hælde savklingen til højre. (Fig. 69)

Anbring forsigtigt siden af savklingen i en ret vinkel til overfladen af drejeshjulet ved hjælp af trekantslineal, anslagsvinkel etc. ved at dreje 0° skråvinkeljusteringsboltens i retningen med uret. (Fig. 70)

Kontroller, at viseren på drejeshjulet står ud for 0° på skråvinkelskalaen på armen. Hvis den ikke peger på 0°, skal skruen, der holder viseren, løsnes og justeres, så den peger mod 0°.

(2) 45° skråvinkel

Justér først 45° skråvinklen efter at have udført justeringen for 0° skråvinklen. Justér 45° skråvinklen ved at løsne armen og hælde klingens helt til venstre. Sørg for, at viseren på armen peger på 45° på skråskalalaen på armen. Hvis viseren ikke peger på 45°, drejes, fra undersiden af bordet, den venstre skråvinkeljusteringsboltens på venstre side af underarmen, indtil viseren peger på 45°. (Fig. 71)

Udskiftning af kulbørsterne (Fig. 72 og 73)

Tag kulbørsterne ud og efterse dem periodisk. Skift dem ud, når de er slidt ned til slidgrænsen. Hold altid kulbørsterne rene, så de passer ind i holderne. Begge kulbørster bør udskiftes samtidigt. Anvend kun identiske kulbørster.

Benyt en skruetrækker til at fjerne kuldækslerne. Tag de slidte kulbørster ud, sæt de nye i, og fastgør kuldækslerne.

Efter anvendelse

- Efter anvendelse borttørres spåner og støv, der måtte klæbe til maskinen, med en klud eller lignende, så den længst mulige maskinlevetid sikres. Hold beskyttelsesskærmene rene som beskrevet i afsnittet "Beskyttelsesskærm". Smør de glidende dele med maskinolie for at forhindre rustdannelse.

For at sikre produktets SIKKERHED og PÅLIDELIGHED bør reparationer, vedligeholdelse og justeringer altid udføres af et autoriseret Makita-servicecenter og der skal altid anvendes Makita-reservedele.

FORSIGTIG:

- Det i denne manual specificerede tilbehør og anordninger anbefales til brug sammen med Deres Makita maskine. Brug af andet tilbehør og andre anordninger kan udgøre en risiko for personskade. Anvend kun tilbehør og anordninger til de beskrevne formål.

Hvis De behøver assistance eller yderligere detaljer om dette tilbehør, bedes De kontakte Deres lokale Makita servicecenter.

- Savblade med stål- og karbidstålsskær
- Lodret skruestik
- Sekskantnøgle 6
- Støvpøse
- Trekantslineal
- Støvdæksel (nederste beskyttelsesskærm C)
- Trykstang
- Lineal (kløveanslag)
- Geringslære
- Spændeplade (3 stk.)
- Sekskantbolt (3 stk.)
- Knæsamling
- Øverste dæksel (øverste beskyttelsesskærm)

BEMÆRK:

- Nogle ting på denne liste kan være inkluderet i værktøjsspakken som standardtilbehør. Det kan være forskellige fra land til land.

ENG905-1

Lyd

Det typiske A-vægtede støjniveau bestemt i overensstemmelse med EN61029:

Lydtryksniveau (L_{pA}): 91 dB (A)

Lydeffektniveau (L_{WA}): 108 dB (A)

Usikkerhed (K): 3 dB (A)

Bær høreværn

ENG900-1

Vibration

Vibrations totalværdi (tre-aksial vektorsum) bestemt i overensstemmelse med EN61029:

Vibrationsafgivelse (a_h): 2,5 m/s² eller mindre

Usikkerhed (K): 1,5 m/s²

ENG901-1

- Den angivne vibrationsemissionsværdi er blevet målt i overensstemmelse med standardtestmetoden og kan anvendes til at sammenligne en maskine med en anden.
- Den angivne vibrationsemissionsværdi kan også anvendes i en preliminær eksponeringsvurdering.

ADVARSEL:

- Vibrationsemissionen under den faktiske anvendelse af maskinen kan være forskellig fra den erklærede emissionsværdi, afhængigt af den måde, hvorpå maskinen anvendes.
- Sørg for at identificere de sikkerhedsforskrifter til beskyttelse af operatøren, som er baseret på en vurdering af eksponering under de faktiske brugsforhold (med hensyntagen til alle dele i brugscyklen, som f.eks. de gange, hvor maskinen er slukket og når den kører i tomgang i tilgift til afbrydertiden).

Kun for lande i Europa**EU-konformitetserklæring****Makita erklærer, at den følgende maskine (maskiner):**

Maskinens betegnelse:

Vende-sav

Model nr./ Type: LF1000

opfylder betingelserne i de følgende EU-direktiver:

2006/42/EU

De er fremstillet i overensstemmelse med den følgende standard eller standardiserede dokumenter:

EN61029

Den tekniske fil, som er i overensstemmelse med 2006/42/EU, er tilgængelig fra:

Makita, Jan-Baptist Vinkstraat 2, 3070, Belgien

30.10.2014



Yasushi Fukaya

Direktør

Makita, Jan-Baptist Vinkstraat 2, 3070, Belgien

Περιγραφή γενικής άποψης

1 Παξιμάδι ρύθμισης	29 Πείρος τερματιστή	65 Αγκώνας
2 Πέλημα	30 Εξαγωνικό κλειδί	66 Ράβδος μέγγενης
3 Πλάκα σταθεροποίησης	31 Θήκη κλειδιού	67 Κουμπί μέγγενης
4 Εξαγ. Μπουλόνι	32 Γάντζος	68 Βραχίονας μέγγενης
5 Εγκοπές σχήματος U	33 Πέλματα	69 Η κεφαλή πριονιού είναι κλειδωμένη σε πλήρως χαμηλωμένη θέση
6 Κάτω προφυλακτήρας λάμας A	34 Ο γάντζος	70 Περιοχή μοχλού για τοποθέτηση χεριού/δαχτύλου
7 Κάτω προφυλακτήρας λάμας B	35 Εξαγωνικό μπουλόνι	71 Εξαρτήματα γαντζώματος
8 Κάτω προφυλακτήρας λάμας C (χρησιμοποιείται μόνο σε λειτουργία λοξής κοπής)	36 Κλειδωμά αξονα	72 Μέγγενη (εξάρτημα)
9 Κουμπί πίεσης	37 Μοχλός ανύψωσης	73 Μπλόκ διαστήματος
10 Μαχάιρι σχισίματος	38 Θήκη πριονιού	74 Φράκτης οδηγός
11 Ανω προφυλακτήρας λάμας (χρησιμοποιείται σε λειτουργία επιτραπέζιου)	39 Θήκη λάμας	75 Προεξοχή αλουμινίου
12 Ανω επιφάνεια περιστροφικής βάσης	40 Βέλος	76 Παράλληλος όψης/άκρης
13 Περιφέρεια λάμας	41 Εξωτερικό παρέμβυσμα	77 Ευλόβιδα
14 Φράκτης οδηγός	42 Εσωτερικό παρέμβυσμα	78 Οδηγείτε μαζί
15 Τερματιστής κάτω ορίου	43 Αξονίσκος	79 Ράβδος ώθησης
16 Παξιμάδι	44 Δακτύλιος	80 Βοηθητικός φράκτης
17 Μπουλόνι ρύθμισης	45 Παξιμάδι σύσφιγξης	81 Μπλοκ ώθησης
18 Βίδα σύσφιγξης	46 Πλάτος λάμας	82 Κάθετο κόψιμο
19 Λαβή	47 Θήκη φράκτη σχισίματος	83 Λοξότμηση
20 Περιστρεφόμενο τραπέζι	48 Σιδηροτροχιά οδηγός	84 Κωνική κοπή
21 Μοχλός	49 Βίδα σύσφιγξης (A)	85 Σύνθετη λοξότμηση (γωνίες)
22 Κουμπί ρύθμισης βάθους κοπής	50 Βίδα σύσφιγξης (B)	86 Κουμπί
23 Γυρίστε στην λειτουργία λοξής κοπής πριονιού	51 Φράκτης σχισίματος	87 Εξάρτημα εργαλείου μεταφερόμενο με το χέρι
24 Γυρίστε στην λειτουργία επιτραπέζιου πριονιού	52 Η γραμμή είναι να ευθυγραμμιστεί με : γραμμή (A)	88 Τριγωνικός κανόνας
25 Κουμπί κλειδώματος στην θέση εκτός	53 Ανω τραπέζι	89 Μπουλόνι ρύθμισης 0°
26 Σκανδάλη ενεργοποίησης	54 Τεμάχιο εργασίας	90 Μπουλόνι ρύθμισης 45°
27 Κουμπί ON	55 Τετράγωνο παξιμάδι	91 Ανω επιφάνεια του περιστροφικού τραπέζιου
28 Κουμπί OFF	56 Κλίμακα	92 Βραχίονας
	57 Βίδα ρύθμισης	93 Κωνική κλίμακα
	58 Ανω προφυλακτήρας λάμας	94 Δείκτης
	59 Φράκτης μετρητή λοξής κοπής	95 Σημάδι ορίου
	60 Μετρητής λοξής κοπής	96 Καπάκι θήκης ψήκτρας
	61 Αύλακες	97 Κατσαβίδι
	62 Στόμιο σκόνης	
	63 Σάκος σκόνης	
	64 Σταθεροποιητής	

ΠΡΟΔΙΑΓΡΑΦΗ

Μοντέλο

LF1000

Διάμετρος λάμας.....	260 χιλ
Πάχος σώματος λάμας.....	1,8 χιλ – 2,0 χιλ
Πάχος μαχαιριού σχισίματος.....	2,2 χιλ
Διάμετρος τρύπας	
Για Ευρωπαϊκές χώρες.....	30 χιλ

Ικανότητες μεγ. κοπής (Υ x Π) με λάμα διαμέτρου 260 χιλ σε λειτουργία πριονιού λοξής κοπής.

Κωνική γωνία	Λοξή γωνία
	0°
0°	20 χιλ x 180 χιλ 68 χιλ x 155 χιλ
45° (αριστερά)	50 χιλ x 150 χιλ

Ικανότητες μεγ. κοπή στις 90° σε επιτραπέζιο πριόνι (λειτουργία πριονιού πάγκου)	70 χιλ
Ταχύτητα χωρίς φορτίο (λεπ ⁻¹).....	2.700
Μέγεθος τραπεζιού (Π x Μ)	500 χιλ x 555 χιλ
Διαστάσεις (Μ x Π x Υ1 (Σημείωση 1) / Υ2 (Σημείωση 2))	
σε λειτουργία λοξού πριονιού	660 χιλ x 650 χιλ x 1.220 χιλ / 800 χιλ
σε λειτουργία επιτραπέζιου πριονιού	660 χιλ x 650 χιλ x 1.060 χιλ / 845 χιλ
Βάρος καθαρό	36 Χγρ
Κατηγορία ασφάλειας	II

(Σημείωση 1) Υ1: Ύψος μέχρι την κεφαλή του εργαλείου

(Σημείωση 2) Υ2: Ύψος μέχρι το τραπέζι

- Λόγω του συνεχιζόμενου προγράμματος έρευνας και ανάπτυξης, οι παρούσες προδιαγραφές υπόκεινται σε αλλαγή χωρίς προειδοποίηση.
- Τα τεχνικά χαρακτηριστικά μπορεί να διαφέρουν από χώρα σε χώρα.
- Βάρος σύμφωνα με διαδικασία ΕΡΤΑ 01/2003

Προοριζόμενη χρήση

ENE061-1

Το μηχάνημα προορίζεται για ακριβή ευθεία και λοξή κοπή ξύλου. Το μηχάνημα μπορεί να χρησιμοποιηθεί τόσο σε λειτουργία λοξού πριονιού όσο και σε λειτουργία επιτραπέζιου πριονιού με την περιστροφή του τραπεζιού γύρω από τον άξονά του.

Ρευματοδότηση

ENF002-2

Το μηχάνημα πρέπει να συνδέεται μόνο σε παροχή ρεύματος της ίδιας τάσης με αυτή που αναφέρεται στην πινακίδα κατασκευαστού και μπορεί να λειτουργήσει μόνο με εναλλασσόμενο μονοφασικό ρεύμα. Τα μηχανήματα αυτά έχουν διπλή μόνωση και κατά συνέπεια, μπορούν να συνδεθούν σε ακροδέκτες χωρίς σύρμα γείωσης.

GEA010-1

Γενικές προειδοποιήσεις ασφαλείας για το ηλεκτρικό εργαλείο

⚠ ΠΡΟΕΙΔΟΠΟΙΗΣΗ Διαβάστε όλες τις προειδοποιήσεις ασφαλείας και όλες τις οδηγίες. Η μη τήρηση των προειδοποιήσεων και οδηγιών ενδέχεται να καταλήξει σε ηλεκτροπληξία, πυρκαγιά ή/και σοβαρό τραυματισμό.

Φυλάξτε όλες τις προειδοποιήσεις και τις οδηγίες για μελλοντική παραπομπή.

ENB094-6

ΠΡΟΕΙΔΟΠΟΙΗΣΕΙΣ ΑΣΦΑΛΕΙΑΣ ΓΙΑ ΤΟ ΑΝΑΠΟΔΟ ΠΡΙΟΝΙ

ΓΙΑ ΛΕΙΤΟΥΡΓΙΑ ΛΟΞΟΎ ΠΡΙΟΝΙΟΎ ΚΑΙ ΛΕΙΤΟΥΡΓΙΑ ΕΠΙΤΡΑΠΕΖΙΟΎ ΠΡΙΟΝΙΟΎ (ΠΡΙΟΝΙΟΎ ΠΑΓΚΟΥ):

1. Πριν από τη λειτουργία, να ελέγχετε προσεκτικά τη λάμα για ραγίσματα ή παραμόρφωση. Αντικαταστήστε αμέσως μια λάμα που έχει υποστεί ζημιά.
2. Μη θέτετε το πριόνι σε λειτουργία χωρίς τους προφυλακτήρες και το μαχαίρι σχισίματος στη θέση τους, ειδικά μετά από αλλαγή της θέσης λειτουργίας. Ελέγχετε τους προφυλακτήρες λάμας για κατάλληλο κλείσιμο πριν από κάθε χρήση. Μη λειτουργείτε το πριόνι εάν οι προφυλακτήρες λαμών δεν κινούνται ελεύθερα και κλείνουν στιγμιαία. Ποτέ μη σφίγγετε ή δένετε τους προφυλακτήρες λάμας στην ανοιχτή θέση. Οποιαδήποτε ακανόνιστη λειτουργία των προφυλακτών λάμας πρέπει να διορθώνεται αμέσως.

3. Να χρησιμοποιείτε μόνο τις λάμες που καθορίζει ο κατασκευαστής και που συμμορφώνονται με το EN847-1. Το πλάτος αυλακώσης της κοπής πρέπει να είναι μεγαλύτερο από το μαχαίρι σχισίματος και το σάμα λάμας πρέπει να είναι μικρότερο από το μαχαίρι σχισίματος.
4. Μη χρησιμοποιείτε λάμες πριονιού κατασκευασμένες από ατσάλι υψηλής ταχύτητας.
5. Φοράτε προστατευτικά οφθαλμών.
6. Να φοράτε προστατευτικά αυτιών για να μειώσετε τον κίνδυνο της απώλειας ακοής.
7. Να φοράτε γάντια όταν χειρίζεστε δίσκους (οι δίσκοι να μεταφέρονται σε ειδική θήκη μεταφοράς, όταν αυτό είναι εφικτό) και υλικά ανώμαλης επιφάνειας.
8. Συνδέετε το εργαλείο σε μία συσκευή συλλογής σκόνης όταν πριονίζετε.
9. Πάντοτε αποθηκεύετε την ράβδο ώθησης όταν δεν είναι σε χρήση.
10. Διατηρείτε την επιφάνεια του πατώματος γύρω από το επίπεδο του εργαλείου σε καλή κατάσταση και ελεύθερη από υπολείμματα υλικών π.χ. πριονίδια και αποκοπεία.
11. Ο χρήστης πρέπει να είναι επαρκώς εκπαιδευμένος στην χρήση, ρύθμιση και λειτουργία του εργαλείου.
12. Διακόψτε τη λειτουργία του πριονιού και βγάλτε το από την πρίζα όταν δεν επιβλέπεται.
13. Για μείωση του προκαλούμενου θορύβου, πάντοτε βεβαιώνετε ότι η λάμα είναι ακονισμένη και καθαρή.
14. Να χρησιμοποιείτε μόνο λάμες πριονιού που είναι επισημασμένες με μέγιστη ταχύτητα ίση με ή υψηλότερη από την ταχύτητα χωρίς φορτίο που είναι επισημασμένη στο εργαλείο.
15. Μην αφαιρείτε ποτέ οποιαδήποτε κομμένα κομμάτια ή άλλα μέρη του τεμαχίου εργασίας από την περιοχή κοπής ενώ το εργαλείο βρίσκεται σε λειτουργία με απροστάτευτη λάμα.
16. Το εργαλείο δεν πρέπει να χρησιμοποιείται για σχισμές, λοξές εντομές ή αυλακώσεις.

17. Καθαρίζετε και προσέχετε να μη κάνετε ζημιά στον αξονίσκο, στα παρεμβύσματα (ειδικά στην επιφάνεια εγκατάστασης) και στο μπουλόνι στερέωσης πριν ή όταν τοποθετηθεί η λάμα. Ζημιά στα εξαρτήματα αυτά μπορεί να προκαλέσει σπάσιμο της λάμας. Κακή τοποθέτηση μπορεί να προκαλέσει δονήσεις/μη επίπεδη περιστροφή ή γλίστρημα της λάμας. Χρησιμοποιείτε μόνο λάμες ειδικές για το εργαλείο αυτό.
18. Πάντοτε χρησιμοποιείτε εξαρτήματα που συνιστώνται στο εγχειρίδιο αυτό. Η χρήση ακατάλληλων εξαρτημάτων όπως αποθεσικοί τροχοί αποκοπής μπορεί να προκαλέσουν τραυματισμό.
19. Επιλέξτε την σωστή λάμα πριονιού για το υλικό που πρόκειται να κόψετε.
20. Μην κόβετε μεταλλικά αντικείμενα, όπως καρφιά και βίδες. Ελέγξτε και αφαιρέστε όλα τα καρφιά, βίδες και άλλες ξένες ύλες από το τεμάχιο εργασίας πριν από τη λειτουργία.
21. Χτυπήστε και αφαιρέστε τους χαλαρούς ρόζους από το τεμάχιο εργασίας ΠΡΙΝ αρχίσετε το κόψιμο.
22. Μη χρησιμοποιείτε το εργαλείο εάν υπάρχουν κοντά εύφλεκτα υγρά ή αέρια.
23. Για την ασφάλεια σας, αφαιρέστε τα πριονίδια, μικρά τεμάχια, κλπ., από την περιοχή εργασίας και την επιφάνεια του τραπέζιου πριν συνδέσετε το εργαλείο και αρχίσετε τη λειτουργία.
24. Κρατάτε τα χέρια σας καθώς και τον εαυτό σας και τους γύρω σας εκτός τροχιάς πριονιού και όχι στην ίδια ευθεία με την λάμα πριονιού. Αποφύγετε επαφή με οποιαδήποτε περιστρεφόμενη λάμα. Μπορεί να προκληθεί τρομερός τραυματισμός και ποτέ μη πλησιάζετε γύρω στην λάμα πριονιού.
25. Να είστε σε ετοιμότητα πάντοτε, ιδιαίτερα κατά την διάρκεια επαναληπτικών, μονότονων λειτουργιών. Μη ξεγελαστείτε με κάποια ασφαμένη αίσθηση ασφάλειας. Οι λάμες είναι εξαιρετικά αδυσώπητες.
26. Βεβαιώνετε ότι ο άξονας έχει ξεκλειδωθεί πριν ανάψετε το εργαλείο.
27. Πριν χρησιμοποιήσετε το εργαλείο σε ένα πραγματικό τεμάχιο εργασίας, αφήστε το να λειτουργήσει για λίγο. Προσέξτε για δονήσεις ή μη επίπεδη περιστροφή που είναι ενδείξεις κακής τοποθέτησης ή άσχημα ισορροπημένης λάμας.
28. Περιμένετε μέχρι η λάμα να αποκτήσει πλήρη ταχύτητα πριν κόψετε.
29. Αποφύγετε την αφαίρεση αποκοπιδιών ή άλλων κομματιών του τεμαχίου εργασίας από την περιοχή κοπής ενώ το εργαλείο λειτουργεί και η κεφαλή πριονιού δεν είναι στην θέση ανάπαυσης.
30. Σταματήστε την λειτουργία αμέσως εάν παρατηρήσετε κάτι αφύσικο.
31. Σβήστε το εργαλείο και περιμένετε την λάμα πριονιού να σταματήσει πριν μετακινήσετε το τεμάχιο εργασίας ή αλλάξετε ρυθμίσεις.
32. Αποσυνδέστε το εργαλείο πριν αλλάξετε λάμα, κάνετε συντήρηση ή δεν το χρησιμοποιείτε.

33. Μερικές σκόνες που δημιουργούνται από την λειτουργία περιέχουν χημικά γνωστά για πρόκληση καρκίνου, ανωμαλίες σε γεννήσεις και αναπαραγωγικούς κινδύνους. Μερικά παραδείγματα αυτών των χημικών είναι:
 - μόλυβδος και, από υλικά βαμμένα με βάση μόλυβδο και,
 - αρσενικό και χρώμιο από χημικά συντηρητικά ξυλίας.

Ο κίνδυνος για σας από την έκθεση στις ουσίες αυτές διαφέρει, ανάλογα με το πόσο συχνά κάνετε αυτού του είδους την εργασία. Για να μειώσετε την έκθεσή σας στα χημικά αυτά: Εργάζεστε σε μία καλά αεριζόμενη περιοχή και εργάζεστε με εγκεκριμένα εφόδια ασφάλειας, τέτοια όπως οι προσωπίδες που είναι ειδικά σχεδιασμένες να φιλτράρουν μικροσκοπικά σωματίδια.

34. Βεβαιώνετε ότι το τραπέζι είναι στερεωμένο με ασφάλεια με τον μοχλό αφού το γυρίσετε ανάποδα.

ΟΤΑΝ ΧΡΗΣΙΜΟΠΟΙΕΙΤΕ ΤΟ ΠΡΙΟΝΙ ΣΕ ΛΕΙΤΟΥΡΓΙΑ ΛΟΞΗΣ ΚΟΠΗΣ:

35. Μη χρησιμοποιήσετε το εργαλείο για να κόψετε οτιδήποτε άλλο εκτός ξύλου, αλουμινίου ή πορτομάν υλικών.
36. Μην εκτελείτε καμιά λειτουργία στο χέρι. Το τεμάχιο εργασίας πρέπει να είναι ασφαλισμένο σταθερά πάνω στο περιστρεφόμενο τραπέζι και στον φράκτη οδηγό με τη μέγγηνη κατά τη διάρκεια όλων των εργασιών. Μη χρησιμοποιείτε ποτέ το χέρι σας για να στερεώσετε το τεμάχιο εργασίας.
37. Βεβαιωθείτε ότι το εργαλείο είναι σταθερό πριν από κάθε κοπή.
38. Στηρίξτε τα μακριά τεμάχια εργασίας με κατάλληλες επιπρόσθετες στηρίξεις.
39. Μην κόβετε το τεμάχιο εργασίας τόσο μικρό που να μην μπορεί να συγκρατηθεί στη μέγγηνη με ασφάλεια. Ένα τεμάχιο εργασίας που συγκρατείται λανθασμένα μπορεί να προκαλέσει κλότσημα και σοβαρό προσωπικό τραυματισμό.
40. Βεβαιώνετε ότι το περιστρεφόμενο τραπέζι είναι κατάλληλα ασφαλισμένο ώστε να μη μετακινήθει κατά την διάρκεια της εργασίας.
41. Βεβαιώνετε ότι ο βραχίονας είναι ασφαλισμένος σταθερά όταν κάνετε κωνικές κοπές. Σφίχτε τον μοχλό δεξιόστροφα για να σταθεροποιήσετε τον βραχίονα.
42. Βεβαιώνετε ότι η λάμα δεν εφάπτεται στο περιστρεφόμενο τραπέζι στην χαμηλότερη θέση και ότι δεν είναι σε επαφή με το τεμάχιο εργασίας πριν ανάψετε τον διακόπτη.
43. Κρατάτε την λαβή σταθερά. Έχετε υπόψη σας ότι το πριόνι μετακινείται πάνω ή κάτω ελαφρά κατά την εκκίνηση και το σταμάτημα.

ΟΤΑΝ ΤΟ ΧΡΗΣΙΜΟΠΟΙΕΙΤΕ ΣΤΗΝ ΛΕΙΤΟΥΡΓΙΑ ΛΑΜΑΣ ΤΡΑΠΕΖΙΟΥ (ΛΕΙΤΟΥΡΓΙΑ ΠΑΓΚΟΥ):

44. Μην εκτελείτε καμία λειτουργία με ελεύθερο χέρι. Ελεύθερο χέρι σημαίνει να χρησιμοποιείτε τα χέρια σας για υποστήριξη ή οδήγηση του τεμαχίου εργασίας, στη θέση ενός φράκτη σχισίματος.
45. Βεβαιώνετε ότι το περιστρεφόμενο τραπέζι είναι στερεωμένο με ασφάλεια.

46. Βεβαιώνετε ότι ο βραχιόνας είναι στερεωμένος με ασφάλεια στην θέση εργασίας. Σφίχτε τον μοχλό δεξιόστροφα για να σταθεροποιήσετε τον βραχιόνα.
47. Χρησιμοποιείτε μία ράβδο ώθησης ή ένα μπλοκ ώθησης για να αποφύγετε να εργάζεστε με τα χέρια και τα δάκτυλα κοντά στην λάμα πριονιού.
48. Βεβαιώνετε ότι η λάμα δεν κάνει επαφή με το μαχαίρι σχισίματος ή το τεμάχιο εργασίας πριν ανάψετε τον διακόπτη.
49. Δώστε ιδιαίτερη προσοχή στις οδηγίες για μείωση του κινδύνου ΟΠΙΣΘΟΛΑΚΤΙΣΜΑΤΟΣ. ΟΠΙΣΘΟΛΑΚΤΙΣΜΑ είναι μία ξαφνική αντίδραση μιάς πασμένης, δεμένης ή κακώς ευθυγραμμισμένης λάμας πριονιού. ΟΠΙΣΘΟΛΑΚΤΙΣΜΑ προκαλεί την απόρριψη του τεμαχίου εργασίας από το εργαλείο πίσω προς τον χρήστη. ΟΠΙΣΘΟΛΑΚΤΙΣΜΑΤΑ ΜΠΟΡΟΥΝ ΝΑ ΟΔΗΓΗΣΟΥΝ ΣΕ ΣΟΒΑΡΟ ΠΡΟΣΩΠΙΚΟ ΤΡΑΥΜΑΤΙΣΜΟ. Αποφύγετε τα ΟΠΙΣΘΟΛΑΚΤΙΣΜΑΤΑ κρατώντας την λάμα ακονισμένη, κρατώντας τον φράκτη σχισίματος παράλληλο προς την λάμα, κρατώντας το μαχαίρι σχισίματος και τον προφυλακτήρα λάμας στην θέση τους και σε σωστή λειτουργία, μην ελευθερώνοντας το τεμάχιο εργασίας μέχρι να έχει σπρωχτεί ολόκληρο μετά την λάμα, και μη σχίζοντας ένα τεμάχιο εργασίας που έχει στρίψει ή στρεβλωθεί ή δεν έχει ίσια άκρη να οδηγηθεί κατά μήκος του φράκτη.
50. Αποφύγετε την απότομη, γρήγορη τροφοδοσία. Τροφοδοτείτε όσο αργά είναι δυνατόν όταν κόβετε σκληρά τεμάχια εργασίας. Μη λυγίζετε ή στρίβετε τεμάχια εργασίας κατά την τροφοδότηση. Εάν ακινητοποιήσετε ή εμπλέξετε την λάμα στο τεμάχιο εργασίας, σβήστε το εργαλείο αμέσως. Αποσυνδέστε το εργαλείο. Μετά τακτοποιήστε την εμπλοκή.
51. Πριν γυρίσετε ανάποδα το εργαλείο, πάντοτε βεβαιώνετε ότι ο πείρος τερματιστή έχει κλειδώσει με ασφάλεια την κεφαλή του εργαλείου στην χαμηλότερη θέση.

ΦΥΛΑΞΤΕ ΤΙΣ ΟΔΗΓΙΕΣ ΑΥΤΕΣ.

⚠ ΠΡΟΕΙΔΟΠΟΙΗΣΗ:

ΜΗΝ επιτρέψετε στην άνεση ή στην εξοικείωσή σας με το προϊόν (που αποκτήθηκε από επανειλημμένη χρήση) να αντικαταστήσει την αυστηρή τήρηση των κανόνων ασφαλείας του παρόντος εργαλείου. ΚΑΚΗ ΧΡΗΣΗ ή αμέλεια να ακολουθήσετε τους κανόνες ασφαλείας που διατυπώνονται σ' αυτό το εγχειρίδιο οδηγιών μπορεί να προκαλέσει σοβαρό προσωπικό τραυματισμό.

ΕΓΚΑΤΑΣΤΑΣΗ

ΠΡΟΣΟΧΗ:

- Διατηρείτε την επιφάνεια του πατώματος γύρω από το επίπεδο του εργαλείου σε καλή κατάσταση και ελεύθερη από υπολείμματα υλικών π.χ. πριονίδια και αποκοπίδια.

Τοποθέτηση σε πάγκο (Εικ. 1, 2 και 3)

Για τοποθέτηση πλήρως εκτεταμένων ποδιών ως το υψηλό τραπέζι

Όταν το εργαλείο δεν μπορεί να τοποθετηθεί σταθερά, γυρίστε το παξιμάδι ρύθμισης στο πόδι του εργαλείου για κατάλληλη σταθερότητα. Στρέψτε αριστερόστροφα σε άποψη από την κορυφή για να κάνετε το πόδι βραχύτερο και δεξιόστροφα σε άποψη από την κορυφή για να το κάνετε μακρύτερο. Μετά την ρύθμιση, βεβαιωθείτε ότι το εργαλείο διατηρείται σταθερό.

Εγκαταστήστε τις πλάκες σταθεροποίησης με το γυριστό άκρο διευθυνόμενο προς τα έξω στα τρία πόδια του εργαλείου με εξαίσιμα μπουλόνια. Και ασφαλίστε το εργαλείο στη σταθερή και επίπεδη επιφάνεια χρησιμοποιώντας τις τρύπες μπουλονιών που παρέχονται στις πλάκες σταθεροποίησης με τρία μπουλόνια.

Για τα αναδιπλούμενα πόδια τοποθετήστε το ως χαμηλό τραπέζι

Όταν το εργαλείο είναι έτοιμο στην θέση αναδιπλούμενων ποδιών, ασφαλίστε το εργαλείο χρησιμοποιώντας τις εγκοπές σχήματος U που υποδεικνύονται στην εικόνα.

ΠΕΡΙΓΡΑΦΗ ΛΕΙΤΟΥΡΓΙΑΣ

ΠΡΟΣΟΧΗ:

- Πάντοτε βεβαιώνετε ότι το εργαλείο είναι σβηστό και αποσυνδεδεμένο πριν ρυθμίσετε ή ελέγξετε κάποια λειτουργία στο εργαλείο.

Προφυλακτήρας λάμας (Εικ. 4, 5, και 6)

ΠΡΟΣΟΧΗ:

- Βεβαιωθείτε ότι η λαβή δεν μπορεί να χαμηλώσει χωρίς ώθηση του μοχλού κοντά στην λαβή στα αριστερά.
- Βεβαιωθείτε ότι οι κάτω προφυλακτήρες λάμας Α δεν ανοίγουν εκτός εάν ο μοχλός κοντά στην λαβή σπρωχτεί στην υψηλότερη θέση της λαβής.
- Βεβαιωθείτε ότι ο κάτω προφυλακτήρας λάμας C έχει τοποθετηθεί πριν το χρησιμοποιήσετε σε λειτουργία λοξής κοπής.

Όταν χαμηλώνετε την λαβή ενώ σπρώχνετε τον μοχλό στα αριστερά, ο κάτω προφυλακτήρας λάμας Α ανυψώνεται αυτόματα. Ο κάτω προφυλακτήρας λάμας Β ανυψώνεται όπως κάνει επαφή στο τεμάχιο εργασίας. Οι κάτω προφυλακτήρες λάμας είναι εφοδιασμένοι με ελατήρια έτσι ώστε να επιστρέφουν στην αρχική τους θέση όταν η κοπή έχει συμπληρωθεί και η λαβή έχει ανυψωθεί. Ο άνω προφυλακτήρας λάμας πέφτει επίπεδα στην επιφάνεια του τραπέζιου αφού το τεμάχιο εργασίας έχει περάσει από κάτω. ΠΟΤΕ ΜΗΝ ΕΞΟΥΔΕΤΕΡΩΣΕΤΕ Η ΑΦΑΙΡΕΣΕΤΕ ΤΟΥΣ ΚΑΤΩ ΠΡΟΦΥΛΑΚΤΗΡΕΣ ΛΑΜΑΣ, ΤΟ ΕΛΑΤΗΡΙΟ ΠΟΥ ΠΡΟΣΑΡΜΟΖΕΤΑΙ ΣΤΟΝ ΚΑΤΩ ΠΡΟΦΥΛΑΚΤΗΡΑ ΛΑΜΑΣ, Η ΤΟΝ ΑΝΩ ΠΡΟΦΥΛΑΚΤΗΡΑ ΛΑΜΑΣ εκτός από την παρακάτω σημείωση.

Για το καλό της προσωπική σας ασφάλειας, πάντοτε διατηρείτε κάθε προφυλακτήρα λάμας σε καλή κατάσταση. Οποιαδήποτε ακανόνιστη λειτουργία των προφυλακτών πρέπει να διορθώνεται αμέσως. Ελέγξτε να βεβαιωθείτε για την δράση επαναφοράς των ελατηρίων των κάτω προφυλακτών λάμας. ΠΟΤΕ ΜΗ ΧΡΗΣΙΜΟΠΟΙΕΙΤΕ ΤΟ ΕΡΓΑΛΕΙΟ ΕΑΝ Ο ΚΑΤΩ ΠΡΟΦΥΛΑΚΤΗΡΑΣ ΛΑΜΑΣ, ΕΛΑΤΗΡΙΟ Η Ο ΑΝΩ ΠΡΟΦΥΛΑΚΤΗΡΑΣ ΛΑΜΑΣ ΕΧΟΥΝ ΖΗΜΙΕΣ, ΒΛΑΒΕΣ Η ΕΧΟΥΝ ΑΦΑΙΡΕΘΕΙ εκτός από την παρακάτω σημείωση. ΕΙΝΑΙ ΠΑΡΑ ΠΟΛΥ ΕΠΙΚΙΝΔΥΝΟ ΝΑ ΤΟ ΚΑΝΕΤΕ ΑΥΤΟ ΚΑΙ ΜΠΟΡΕΙ ΝΑ ΠΡΟΚΑΛΕΣΕΙ ΣΟΒΑΡΟ ΠΡΟΣΩΠΙΚΟ ΤΡΑΥΜΑΤΙΣΜΟ.

ΣΗΜΕΙΩΣΗ:

- Υπάρχουν οι ακόλουθες εξαιρέσεις για την αφαίρεση των προφυλακτών. Μόνο όταν χρησιμοποιείτε το εργαλείο σε λειτουργία πριονιού τραπέζιου, ο άνω προφυλακτήρας λάμας C αφαιρείται. Μόνο όταν χρησιμοποιείτε το εργαλείο σε λειτουργία λοξού πριονιού, ο άνω προφυλακτήρας λάμας αφαιρείται.

Εάν οποιοσδήποτε από αυτούς τους διαφανείς προφυλακτές λάμας λερωθεί, ή πριονόσκονη κολλήσει πάνω τους με τέτοιο τρόπο ώστε η λάμα C να μην είναι πλέον εύκολα ορατή, αποσυνδέστε το πριόνι και καθαρίστε προσεκτικά τους προφυλακτές με ένα νωπό ύφασμα. Μη χρησιμοποιήσετε διαλύτες ή απορρυπαντικά με βάση το πετρέλαιο στους πλαστικούς προφυλακτές.

Εάν ο κάτω προφυλακτήρας A είναι εξαιρετικά ακάθαρτος και η όραση μέσω του προφυλακτήρα είναι δύσκολη, προχωρήστε ως εξής. Ανυψώστε την λαβή πλήρως. Αφαιρέστε τη λάμα πριονιού (Ανατρέξτε στο τμήμα «Τοποθέτηση ή αφαίρεση της λάμας πριονιού»). Ανυψώστε τον κάτω προφυλακτήρα λάμας A ενώ σπρώχνετε τον μοχλό στα αριστερά. Με τον κάτω προφυλακτήρα λάμας A στην θέση αυτή, το καθαρίσμα μπορεί να γίνει με μεγαλύτερη πληρότητα και επάρκεια. Όταν το καθαρίσμα έχει ολοκληρωθεί, αντιστρέψτε την παραπάνω διαδικασία και ασφαλίστε το μπουλόνι.

Στην ίδια περίπτωση για τον άνω προφυλακτήρα λάμας όπως δηλώθηκε πιο πάνω, σπρώχτε το κουμπί στο εμπρός μέρος στην επιφάνεια κορυφής και αφαιρέστε τον άνω προφυλακτήρα λάμας. Μετά το καθαρίσμα, πάντοτε επανατοποθετείτε το με ασφάλεια.

Εάν οποιοσδήποτε από αυτούς τους προφυλακτές λάμας αποχρωματιστεί λόγω ηλικίας ή έκθεσης σε υπέρυθρη ακτινοβολία, αποτανθείτε σε ένα κέντρο σέρβις της Makita για ένα νέο προφυλακτήρα. ΜΗΝ ΕΞΟΥΔΕΤΕΡΩΣΕΤΕ Η ΑΦΑΙΡΕΣΕΤΕ ΠΡΟΦΥΛΑΚΤΗΡΕΣ.

Διατήρηση μέγιστης ικανότητας κοπής (Εικ. 7)

Το εργαλείο είναι εργοστασιακά ρυθμισμένο να παρέχει μέγιστη ικανότητα κοπής για μία λάμα πριονιού 260 χιλ.

Όταν τοποθετείτε μία νέα λάμα, πάντοτε ελέγχετε την θέση του κάτω ορίου της λάμας και εάν είναι απαραίτητο, ρυθμίστε ως εξής:

ΠΡΟΣΟΧΗ:

- Όταν κάνετε την ρύθμιση αυτή αποσυνδέστε το εργαλείο.

Πρώτα αποσυνδέστε το εργαλείο. Χαμηλώστε την λαβή εντελώς. Χρησιμοποιείτε το κλειδί για να στρέψετε το μπουλόνι ρύθμισης μέχρι η περιφέρεια της λάμας εκτείνεται ελαφρά κάτω από την επιφάνεια κορυφής του περιστροφικού τραπέζιου στο σημείο όπου η εμπρός όψη του φράκτη οδηγού συναντά την άνω επιφάνεια του περιστροφικού τραπέζιου.

Με το εργαλείο αποσυνδεδεμένο, περιστρέψτε την λάμα με το χέρι ενώ κρατάτε την λαβή όσο κάτω πάει για να βεβαιωθείτε ότι η λάμα δεν κάνει επαφή με κανένα τμήμα της κάτω βάσης. Επαναρυθμίστε ελαφρά, εάν είναι απαραίτητο.

ΠΡΟΣΟΧΗ:

- Αφού τοποθετήσετε μία νέα λάμα, πάντοτε βεβαιώνετε ότι η λάμα δεν κάνει επαφή με κανένα τμήμα της κάτω βάσης όταν η λαβή χαμηλώνεται πλήρως. Πάντοτε κάνετε το αυτό με το εργαλείο αποσυνδεδεμένο.

Αυτό το εργαλείο μπορεί να χρησιμοποιηθεί με ή χωρίς το κάτω όριο μετακινώντας τον τερματιστή κάτω ορίου όπως φαίνεται στην εικόνα. (Εικ. 8)

Για να χρησιμοποιήσετε το εργαλείο χωρίς το κάτω όριο, στρέψτε την άκρη του τερματιστή αριστερόστροφα. Η χρήση στην θέση αυτή είναι κατάλληλη για να κόψετε ένα φαρδύ και λεπτό τεμάχιο εργασίας.

Για να χρησιμοποιήσετε το εργαλείο με το κάτω όριο, μετακινήστε την άκρη του τερματιστή δεξιόστροφα. Η χρήση στην θέση αυτή είναι κατάλληλη για να κόψετε ένα παχύ τεμάχιο εργασίας.

Ρύθμιση της λοξής γωνίας (Εικ. 9 και 10)

Χαλαρώστε την βίδα σύσφιγξης στον φράκτη οδηγό στρίβοντας αριστερόστροφα. Γυρίστε το περιστρεφόμενο τραπέζι από την λαβή. Όταν έχετε μετακινήσει την λαβή στη θέση όπου ο δείκτης δείχνει την επιθυμητή γωνία στην λοξή κλίμακα, σφίχτε την βίδα σύσφιγξης με ασφαλεία δεξιόστροφα.

ΠΡΟΣΟΧΗ:

- Όταν γυρίζετε το περιστρεφόμενο τραπέζι, βεβαιωθείτε ότι ανυψώνετε την λαβή πλήρως.
- Αφού αλλάξετε την λοξή γωνία, πάντοτε ασφαλίστε το περιστρεφόμενο τραπέζι σφίγγοντας την βίδα σύσφιγξης σταθερά.

Ρύθμιση της κωνικής γωνίας (Εικ. 11 και 12)

Σε λειτουργία λοξού πριονιού

Για να ρυθμίσετε την κωνική γωνία, χαλαρώστε τον μοχλό στο πίσω μέρος του μοχλού αριστερόστροφα. Σπρώχτε την λαβή στα αριστερά για να δώσετε κλίση στην λάμα πριονιού μέχρι ο δείκτης να δείχνει την επιθυμητή γωνία στην κωνική κλίμακα. Μετά σφίχτε τον μοχλό δεξιόστροφα σταθερά να ασφαλίστε τον βραχίονα.

ΠΡΟΣΟΧΗ:

- Όταν δίνετε κλίση στην λάμα πριονιού, βεβαιωθείτε ότι ανυψώνετε την λαβή πλήρως.
- Αφού αλλάξετε την κωνική γωνία, πάντοτε ασφαλίστε τον βραχίονα, σφίγγοντας τον μοχλό δεξιόστροφα.

Στην λειτουργία επιτραπέζιου πριονιού (Εικ. 13)

Για να ρυθμίσετε την κωνική γωνία, χαλαρώστε τον μοχλό κάτω από το τραπέζι μπροστά στο εργαλείο αριστερόστροφα.

Μετακινείστε το κουμπί ρύθμισης βάθους στα αριστερά για να δώσετε κλίση στην λάμα πριονιού μέχρι ο δείκτης να δείχνει στην επιθυμητή γωνία στην κωνική κλίμακα. Μετά σφίγστε τον μοχλό δεξιόστροφα σταθερά να ασφαλίσετε τον βραχίονα.

Δράση διακόπτη (Εικ. 14)

Διακόπτης για λειτουργία λοξού πριονιού

ΠΡΟΣΟΧΗ:

- Πριν συνδέσετε το εργαλείο, πάντοτε ελέγχετε να δείτε ότι ο μοχλό διακόπτης ενεργοποιείται κανονικά και επιστρέφει στην θέση «OFF» όταν ελευθερωθεί.
- Όταν δεν χρησιμοποιείτε το εργαλείο, αφαιρέστε το κουμπί κλειδώματος off και αποθηκεύστε το σε ένα ασφαλές μέρος. Αυτό εμποδίζει την ανεύθυνη λειτουργία.
- Μην τραβάτε το μοχλό διακόπτη σκληρά χωρίς να πατήσετε το κουμπί κλειδώματος off. Αυτό μπορεί να προκαλέσει σπάσιμο του διακόπτη.

Για να εμποδιστεί το τυχαίο τράβηγμα το μοχλό διακόπτη, ένα κουμπί κλειδώματος off έχει προβλεφθεί. Για να εκκινήσετε το εργαλείο, σπρώχτε τον μοχλό κλειδώματος στα αριστερά, πατήστε το κουμπί κλειδώματος off και μετά τραβήχτε το μοχλό διακόπτη. Ελευθερώστε το μοχλό διακόπτη για να σταματήσετε.

Διακόπτης για λειτουργία επιτραπέζιου πριονιού

ΠΡΟΣΟΧΗ:

- Πριν από την λειτουργία, βεβαιωθείτε ότι το εργαλείο ανάβει και σβήνει.

Για να εκκινήσετε το εργαλείο, πατήστε το κουμπί ON (I). Για να το σταματήσετε πατήστε το κουμπί OFF (O).

Ρύθμιση του βάθους κοπής (Εικ. 15)

Το βάθος κοπής μπορεί να ρυθμιστεί γυρίζοντας το κουμπί ρύθμισης βάθους κοπής. Γυρίστε το κουμπί ρύθμισης βάθους κοπής δεξιόστροφα να αναψώσετε την λάμα ή αριστερόστροφα να την χαμηλώσετε.

ΠΡΟΕΙΔΟΠΟΙΗΣΗ:

- Χρησιμοποιείτε μία ρηχή ρύθμιση βάθους όταν κόβετε λεπτά υλικά για να επιτύχετε μία καθαρότερη κοπή.

ΠΡΟΣΟΧΗ:

- Ο πείρος τερματιστή δεν μπορεί να στραφεί με την κεφαλή του εργαλείου σε μία πλήρως χαμηλωμένη θέση. Στο σημείο αυτό, γυρίστε το κουμπί ελαφρά αριστερόστροφα και ο πείρος τερματιστή μπορεί να ελευθερωθεί. (Εικ. 16)

Προστασία κατά της υπερφόρτωσης

- Εργαλεία για 200 V ή υψηλότερη παροχή τροφοδοσίας μόνο. Ανατρέξτε στην πινακίδα προδιαγραφών πάνω στο εργαλείο για την ονομαστική τάση.
- Όταν το φορτίο του εργαλείου υπερβεί τα αποδεκτά όρια, η τροφοδοσία του εργαλείου μειώνεται, ώστε να παρέχεται προστασία στον ηλεκτροκινητήρα κατά της υπερθέρμανσης. Όταν το φορτίο επιστρέφει σε αποδεκτά όρια, η λειτουργία του εργαλείου επανέρχεται σε κανονικό επίπεδο.

ΣΥΝΟΛΟ

ΠΡΟΣΟΧΗ:

- Πάντοτε βεβαιώνετε ότι το εργαλείο είναι σβηστό και αποσυνδεδεμένο πριν εκτελέσετε οποιαδήποτε εργασία στο εργαλείο.

Αποθήκευση εξαγωνικό κλειδιού (Εικ. 17)

Το εξαγωνικό κλειδί αποθηκεύεται όπως φαίνεται στην εικόνα. Όταν χρησιμοποιείτε το εξαγωνικό κλειδί, τραβήχτε το έξω από την θήκη κλειδιού. Αφού χρησιμοποιήσετε το εξαγωνικό κλειδί, επιστρέψτε το στην θήκη κλειδιού.

Ρύθμιση δύο τρόπων ύψους τραπέζιου

Το ύψος τραπέζιου μπορεί να ρυθμιστεί με δύο τρόπους, υψηλό ή χαμηλό τραπέζι.

ΠΡΟΕΙΔΟΠΟΙΗΣΗ:

- Πριν τοποθετήσετε κάτω το εργαλείο και προς τα πίσω, πάντοτε ρυθμίστε το εργαλείο στην λειτουργία λοξού πριονιού και κλειδώστε την κεφαλή του εργαλείου στην χαμηλότερη θέση.

1. Ρύθμιση υψηλού τραπέζιου (Εικ. 18)

Για να ρυθμίσετε το εργαλείο με υψηλό τραπέζι, προχωρήστε ως εξής:

- (1) Τοποθετείστε κάτω το εργαλείο προσεκτικά ΠΡΟΣ ΤΑ ΠΙΣΩ χωρίς λάθος ενώ το κρατάτε και με τα δύο χέρια.
- (2) Γυρίστε τον γάντζο προς την διεύθυνση του βέλους στην εικόνα για να αποσυσκευάσετε τα πόδια. Ανοίξτε τα πόδια του τραπέζιου στην μία πλευρά και σπρώχτε την κάτω μπάρα των ποδιών προς τα εμπρός πλήρως για να αυτοκλειδωθεί. Ακολουθείστε την ίδια διαδικασία για τα πόδια στην απέναντι πλευρά. Βεβαιωθείτε ότι τα πόδια στις δύο πλευρές είναι εντελώς κλειδωμένα.

ΠΡΟΕΙΔΟΠΟΙΗΣΗ:

- Βεβαιωθείτε ότι οι γάντζοι τερματιστή είναι τέλεια τοποθετημένοι στην εγκοπή της αγκύλης.
- (3) Επαναφέρετε το εργαλείο στην όρθια θέση.

2. Ρύθμιση χαμηλού τραπέζιου (Εικ. 19)

Τα πόδια μπορούν να διπλωθούν όπως φαίνεται στην εικόνα. Για να διπλώσετε κάτω το εργαλείο, κάντε τα εξής:

- (1) Τοποθετείστε κάτω το εργαλείο προσεκτικά ΠΡΟΣ ΤΑ ΠΙΣΩ χωρίς λάθος ενώ το κρατάτε και με τα δύο χέρια.
- (2) Τραβήχτε πάνω πρώτα τον τερματιστή στον σύνδεσμο των αριστερών ποδιών προς τον εαυτόν σας να το ξεκλειδώσετε.
- (3) Ακολουθήστε τα ίδια βήματα για τα αντίθετα πόδια όπως παραπάνω.
- (4) Χρησιμοποιείστε έναν γάντζο για να συσκευάσετε τα πόδια.
- (5) Επαναφέρετε το εργαλείο στην όρθια θέση.

Τοποθέτηση ή αφαίρεση της λάμας πριονιού

ΠΡΟΣΟΧΗ:

- Πάντοτε βεβαιώνετε ότι το εργαλείο είναι σβηστό και αποσυνδεδεμένο πριν τοποθετήσετε ή αφαιρέσετε την λάμα.

- Χρησιμοποιείτε μόνο το εξαγωνικό κλειδί της Makita που παρέχεται για τοποθέτηση ή αφαίρεση της λάμας. Αμέλεια να το κάνετε μπορεί να έχει ως αποτέλεσμα υπερβολικό ή ανεπαρκές σφίξιμο του εξαγωνικού μπουλονιού. Αυτό μπορεί να προκαλέσει τραυματισμό.

Μετακινήστε προς τα επάνω την λαβή στην πλήρως ανυψωμένη θέση.

Πατήστε τον άξονα κλειδώματος να κλειδώσετε τον αξονίσκο, χρησιμοποιείτε το εξαγωνικό κλειδί για να χαλαρώσετε το εξαγωνικό μπουλόνι δεξιόστροφα. **(Εικ. 20)**

Ανυψώστε τον προφυλακτήρα λάμας Α με τον μοχλό ανύψωσης ενώ σπρώχνετε τον μοχλό κοντά στην λαβή προς τα αριστερά. Με τον προφυλακτήρα λάμας Α ανυψωμένο, αφαιρέστε το εξαγωνικό μπουλόνι, εξωτερικό παρέμβυσμα και λάμα. **(Εικ. 21)**

Για τοποθέτηση της λάμας, βάλτε την προσεκτικά στον αξονίσκο, κάνοντας βέβαιο ότι η διεύθυνση του βέλους στην επιφάνεια της λάμας συμπίπτει με την διεύθυνση του βέλους στην θήκη της λάμας. Τοποθετήστε το εξωτερικό παρέμβυσμα και το εξαγωνικό μπουλόνι, και μετά χρησιμοποιείτε το εξαγωνικό κλειδί για να σφίξετε το εξαγωνικό μπουλόνι (αριστερόχειρα) με ασφάλεια αριστερόστροφα ενώ πατάτε το κλειδώμα άξονα. **(Εικ. 22 και 23)**

ΣΗΜΕΙΩΣΗ:

- Όταν τοποθετείτε μία λάμα πριονιού, βεβαιωθείτε ότι την βάζετε μεταξύ του προφυλακτήρα λάμας Β πρώτα και μετά ανυψώστε την έτσι ώστε η λάμα είναι τελικά τοποθετημένη στον προφυλακτήρα λάμας Β.

ΠΡΟΣΟΧΗ:

- Ο δακτύλιος 25,4 χιλ ή 30 χιλ σε εξωτερική διάμετρο είναι εργοστασιακά τοποθετημένος πάνω στον αξονίσκο. Πριν τοποθετήσετε την λάμα πάνω στον αξονίσκο, πάντοτε βεβαιώνετε ότι ο σωστός δακτύλιος για την τρύπα ατράκτου της λάμας που προτίθεστε να χρησιμοποιήσετε είναι τοποθετημένος πάνω στον αξονίσκο. **(Εικ. 24)**

Επαναφέρετε τον κάτω προφυλακτήρα λάμας Α στην αρχική του θέση. Χαμηλώστε την λαβή να κάνετε βέβαιο ότι οι κάτω προφυλακτήρες λάμας κινούνται κατάλληλα. Βεβαιωθείτε ότι η ασφάλεια άξονα έχει ελευθερώσει τον αξονίσκο πριν κάνετε την κοπή.

Ρύθμιση σχιστικού μαχαιριού

Πρέπει να υπάρχει ένα διάστημα περίπου 5 – 6 χιλ μεταξύ του σχιστικού μαχαιριού και των δοντιών της λάμας όταν σπρώχνετε το σχιστικό μαχαίρι προς την λάμα πλήρως. Ρυθμίστε το σχιστικό μαχαίρι σύμφωνα χαλαρώνοντας πρώτα το παξιμάδι σύσφιξης με το χέρι αριστερόστροφα και μετά χαλαρώνοντας το εξαγωνικό μπουλόνι αριστερόστροφα με το εξαγωνικό κλειδί και μετρώντας την απόσταση. Μετά την ρύθμιση, σφίχτε με ασφάλεια το εξαγωνικό μπουλόνι και μετά το παξιμάδι σύσφιξης δεξιόστροφα. Πάντοτε ελέγχετε να δείτε ότι το σχιστικό μαχαίρι είναι ασφαλισμένο και ότι ο πάνω προφυλακτήρας λάμας λειτουργεί απαλά πριν την κοπή. **(Εικ. 25 και 26)**

Το το σχιστικό μαχαίρι έχει τοποθετηθεί πριν την αποστολή από το εργοστάσιο έτσι ώστε η λάμα και το το σχιστικό το σχιστικό μαχαίρι βρίσκονται ευθυγραμμισμένα μετά από την απλή σας ρύθμιση. Ανατρέξτε στο εγδφιο με τίτλο «Επανατοποθέτηση του σχιστικού μαχαιριού» για την ρύθμιση. **(Εικ. 27)**

ΠΡΟΣΟΧΗ:

- Εάν η λάμα και το το σχιστικό μαχαίρι δεν είναι ευθυγραμμισμένα κατάλληλα, μία επικίνδυνη κατάσταση σύνθλιψης μπορεί να συμβεί κατά την λειτουργία. Βεβαιώνετε ότι το το σχιστικό μαχαίρι είναι τοποθετημένο μεταξύ των δύο εξωτερικών άκρων των δοντιών της λάμας όταν κυττάζουμε από την κορυφή. Μπορεί να υποστείτε σοβαρό προσωπικό τραυματισμό ενώ χρησιμοποιείτε το εργαλείο χωρίς ένα κατάλληλα ευθυγραμμισμένο σχιστικό μαχαίρι. Εάν δεν είναι ευθυγραμμισμένα για οποιοδήποτε λόγο, πάντοτε απευθύνεστε σε εξουσιοδοτημένο κέντρο σέρβις της Makita για την επιδιόρθωση τους.
- Όταν ρυθμίζετε το διάστημα του σχιστικού μαχαιριού από τα δόντια της λάμας, πάντοτε χαλαρώνετε το εξαγωνικό μπουλόνι μόνο αφού χαλαρώσετε το παξιμάδι σύσφιξης.

Τοποθέτηση και ρύθμιση του φράκτη σχισίματος **(Εικ. 28)**

1. Τοποθετήστε τον φράκτη σχισίματος έτσι ώστε η θήκη του φράκτη σχισίματος εμπλέκεται με τον οδηγό σιδηροτροχιάς. Σφίχτε σταθερά δεξιόστροφα την βίδα σύσφιξης (B) του φράκτη σχισίματος.
2. Χαλαρώστε την βίδα σύσφιξης (A).
3. Σύρτε τον φράκτη σχισίματος και ασφαλίστε τον έτσι ώστε η απομεμακρυσμένη άκρη από σας του φράκτη σχισίματος είναι ευθυγραμμισμένη με το σημείο στο οποίο η εμπρόσθια άκρη της λάμας πριονιού μόλις εμφανίζεται από την άνω επιφάνεια του τεμαχίου εργασίας. Ο σκοπός αυτής της ρύθμισης είναι να μειώσει τον κίνδυνο οπισθολακτίσματος προς τον χρήστη του κομμένου τμήματος από το τεμάχιο εργασίας που έχει συνθλιβεί μεταξύ λάμας πριονιού και φράκτη σχισίματος και τελικά εκτοξεύεται προς τον χειριστή. Η γραμμή (A) διαφέρει ανάλογα με το πάχος του τεμαχίου εργασίας ή το επίπεδο τραπέζιου. Ρυθμίστε την θέση του φράκτη σχισίματος σύμφωνα με το πάχος του τεμαχίου εργασίας. Αφού ρυθμίσετε τον φράκτη σχισίματος, σφίχτε την βίδα σύσφιξης (A) σταθερά. **(Εικ. 29)**

ΣΗΜΕΙΩΣΗ:

- Υπάρχουν τέσσερα σχέδια για τοποθέτηση του φράκτη σχισίματος όπως φαίνεται στην εικόνα. Ο φράκτης σχισίματος έχει δύο σχισμές στις πλευρές του, μία σχισμή με μία ανυψωμένη παρυφή κοντά στην ίδια πλευρά και στην άλλη χωρίς. Χρησιμοποιείτε την επιφάνεια του φράκτη σχισίματος με αυτή την παρυφή να βλέπει το τεμάχιο εργασίας μόνο όταν κόβετε μέσα σε ένα λεπτό τεμάχιο εργασίας.
- Για να αλλάξετε το σχέδιο του φράκτη σχισίματος, αφαιρέστε τον φράκτη σχισίματος από την θήκη του χαλαρώνοντας την βίδα σύσφιξης (A) και αλλάζοντας το μέτωπο του φράκτη σχισίματος προς την θήκη φράκτη σχισίματος έτσι ώστε ο φράκτης σχισίματος να βλέπει την θήκη φράκτη σχισίματος σύμφωνα με την εργασία σας όπως φαίνεται στην εικόνα.
Βάλτε το τεράγωνο παξιμάδι στην θήκη του φράκτη σχισίματος μέσα στην πίσω άκρη οποιασδήποτε εκ των δύο σχισμών του φράκτη σχισίματος έτσι ώστε να ταιριάζουν όπως φαίνεται στην εικόνα.

Για να αλλάξετε από το σχέδιο A ή B στο σχέδιο C ή D, ή σε αντίθετη περίπτωση, αφαιρέστε το τεράγωνο παξιμάδι και την βίδα σύσφιξης (A) από την θήκη του φράκτη σχισίματος, μετά τοποθετήστε την βίδα σύσφιξης (A) και το τεράγωνο παξιμάδι στην αντίθετη θέση της θήκης του φράκτη σχισίματος σε σύγκριση με την αρχική θέση. Σφίχτε με ασφάλεια την βίδα σύσφιξης (A) αφού βάλετε το τεράγωνο παξιμάδι του φράκτη σχισίματος μέσα στην σχισμή του φράκτη σχισίματος.
Βάλτε το τεράγωνο παξιμάδι στην θήκη του φράκτη σχισίματος μέσα στην πίσω άκρη οποιασδήποτε εκ των δύο σχισμών του φράκτη σχισίματος έτσι ώστε να ταιριάζουν όπως φαίνεται στην εικόνα. **(Εικ. 30 και 31)**

Ο φράκτης σχισίματος είναι ρυθμισμένος από το εργοστάσιο έτσι ώστε είναι παράλληλος στην επιφάνεια λάμας. Βεβαιωθείτε ότι είναι παράλληλος. Για να ελέγξετε με βεβαιότητα ότι ο φράκτης σχισίματος είναι παράλληλος με την λάμα, ρυθίστε το ύψος της λάμας με το κουμπί ρύθμισης βάθους κοπής έτσι ώστε η λάμα εμφανίζεται στην υψηλότερη δυνατή θέση από το τραπέζι. Σημαδεψτε ένα από τα δόντια της λάμας με μαρκαδόρο. Αμετρήστε την απόσταση (A) και (B) μεταξύ του φράκτη σχισίματος και της λάμας. Πάρτε και τις δύο μετρήσεις χρησιμοποιώντας το δόντι σημειωμένο με τον μαρκαδόρο. Αυτές οι δύο μετρήσεις πρέπει να είναι ταυτόσημες εάν ο φράκτης σχισίματος δεν είναι παράλληλος με την λάμα, προχωρήστε ως εξής: **(Εικ. 32 και 33)**

- (1) Γυρίστε την βίδα ρύθμισης αριστερόστροφα.
- (2) Μετακινήστε την εμπρόσθια άκρη του φράκτη σχισίματος ελαφρά στα δεξιά ή αριστερά μέχρι να γίνει παράλληλη με την λάμα.
- (3) Σφίχτε την βίδα ρύθμισης σταθερά στον φράκτη σχισίματος.

ΠΡΟΣΟΧΗ:

- Βεβαιωθείτε ότι ρυθμίζετε τον φράκτη σχισίματος που είναι παράλληλος με την λάμα, ή μία επικίνδυνη κατάσταση οπισθολακτίσματος μπορεί να συμβεί.
- Βεβαιωθείτε ότι ρυθμίζετε τον φράκτη σχισίματος έτσι ώστε δεν κάνει επαφή με τον άνω προφυλακτήρα λάμας ή με την λάμα πριονιού. **(Εικ. 34)**
- Μη μετατοπίζετε ή μεταφέρετε το εργαλείο κρατώντας το από τον φράκτη σχισίματος.
- Η ανύψωση του τοποθετημένου φράκτη σχισίματος ή η εξάσκηση κάποιας δύναμης επάνω του στα δεξιά και αριστερά με το χέρι σας πιάνοντας την άνω άκρη του μπορεί να του κάνει ζημιά και να εξασθενήσει τη λειτουργία του.

Τοποθέτηση και ρύθμιση λοξού μετρητή (Εικ. 35)

Τοποθετήστε τον λοξό μετρητή βάζοντας τον άξονά του μέσα σε μία από τις δύο εγκοπές στο τραπέζι από εμπρός. Ο φράκτης λοξού μετρητή που μπορεί επίσης να χρησιμοποιηθεί ως φράκτης σχισίματος μπορεί να τοποθετηθεί στον λοξό μετρητή σύμφωνα με την εργασία σας.

Σάκος σκόνης

Η χρήση του σάκου σκόνης κάνει τις λειτουργίες κοπής καθαρές και την συλλογή σκόνης εύκολη. Για να προσαρμόσετε τον σάκο σκόνης, εφαρμόστε τον πάνω στο στόμιο σκόνης. **(Εικ. 36)**

Όταν ο σάκος σκόνης είναι περίπου γεμάτος κατά το ήμισυ, αφαιρέστε τον σάκο σκόνης από το εργαλείο και τραβήχτε τον στερεωτήρα έξω. Αδειάστε τα περιεχόμενα του σάκου σκόνης, κτυπώντας τον ελαφρά, έτσι ώστε να εξαχθούν τα σωματίδια που κολλάνε στο εσωτερικά τοιχώματα πράγμα που μπορεί να εμποδίσει την περαιτέρω συλλογή. **(Εικ. 37)**

Εάν συνδέσετε μία ηλεκτρική σκούπα στο πριόνι σας, πιο επαρκείς και καθαρές λειτουργίες μπορούν να εκτελεστούν. **(Εικ. 38)**

Αγκώνας (Εικ. 39)

ΠΡΟΣΟΧΗ:

- Διευθύνετε το άνοιγμα απόρριψης του αγκώνα προς την διεύθυνση προς την οποία η εξερχόμενη σκόνη και αποκοπίδια δεν πέφτουνε προς το εργαλείο και άτομα στην περιοχή εργασίας.

Προσαρμόστε τον αγκώνα όταν αλλάζετε την διεύθυνση της απορριπτόμενης σκόνης.

Ασφάλιση του τεμαχίου εργασίας

ΠΡΟΕΙΔΟΠΟΙΗΣΗ:

- Είναι εξαιρετικά σημαντικό να ασφαλίσετε πάντοτε το τεμάχιο εργασίας κατάλληλα και σφίχτά με την μέγνη. Αμέλεια να το κάnete μπορεί να προκαλέσει ζημιά στο εργαλείο και/ή καταστροφή του τεμαχίου εργασίας. ΜΠΟΡΕΙ ΝΑ ΠΡΟΚΛΗΘΕΙ ΠΡΟΣΩΠΙΚΟΣ ΤΡΑΥΜΑΤΙΣΜΟΣ. Επίσης, μετά από μία λειτουργία κοπής, ΜΗΝ ανυψώσετε την λάμα μέχρι η λάμα έχει φθάσει σε μία πλήρη στάση.

Υπο-φράκτης (Εικ. 40)

Ο δευτερεύων φράκτης μπορεί να εγκατασταθεί στον φράκτη οδηγό. Όταν εκτελείτε αριστερές κωνικές κοπές ή κόβετε ως επιτραπέζιο δισκοπρίονο (λειτουργία πάγκου), αφαιρέστε τον δευτερεύοντα φράκτη.

ΠΡΟΣΟΧΗ:

- Όταν εκτελείτε αριστερές κωνικές κοπές ή κόβετε ως επιτραπέζιο δισκοπρίονο (λειτουργία πάγκου), αφαιρέστε τον δευτερεύοντα φράκτη. Διαφορετικά, θα έρθει σε επαφή με τη λάμα ή μέρος του εργαλείου, προκαλώντας σοβαρό τραυματισμό στο χειριστή.

Κατακόρυφη μέγγενη (Εικ. 41)

Η κατακόρυφη μέγγενη μπορεί να τοποθετηθεί σε δύο θέσεις είτε στην αριστερή είτε στην δεξιά πλευρά του φράκτη οδηγού. Βάλτε την ράβδο μέγγενης μέσα στον τρύπα στον φράκτη οδηγού και σφίχτε την βίδα σύσφιξης για να ασφαλίσετε την ράβδο μέγγενης.

Τοποθετήστε τον βραχίονα της μέγγενης ανάλογα με το πάχος και σχήμα του τεμαχίου εργασίας και ασφαλίστε τον βραχίονα της μέγγενης σφίγγοντας την βίδα σύσφιξης. Εάν η βίδα που ασφαρίζει τον βραχίονα της μέγγενης κάνει επαφή με τον φράκτη οδηγό, τοποθετήστε την βίδα σύσφιξης στην αντίθετη πλευρά του φράκτη οδηγού. Βεβαιωθείτε ότι κανένα μέρος του εργαλείου δεν κάνει επαφή με την μέγγενη όταν χαμηλώνετε την λαβή όσο γίνεται. Εάν κάποιο τμήμα κάνει επαφή με την μέγγενη, επανατοποθετήστε την μέγγενη.

Πατήστε το τεμάχιο εργασίας επίπεδο πάνω στον φράκτη οδηγού και στο περιστρεφόμενο τραπέζι. Τοποθετήστε το τεμάχιο εργασίας στην επιθυμητή θέση κοπής και ασφαλίστε το σταθερά σφίγγοντας το κουμπί της μέγγενης.

ΠΡΟΣΟΧΗ:

- Το τεμάχιο εργασίας πρέπει να ασφαλιστεί σταθερά πάνω στο περιστρεφόμενο τραπέζι και στον φράκτη οδηγό.

Ρυθμίστε το εργαλείο σε λειτουργία επιτραπέζιου πριονιού

ΠΡΟΣΟΧΗ:

- Πριν το χρησιμοποιήσετε σε λειτουργία επιτραπέζιου πριονιού, βεβαιωθείτε ότι το περιστρεφόμενο τραπέζι έχει ασφαλιστεί σε λοξή γωνία 0° με τη βίδα σύσφιξης στον φράκτη οδηγό.
- Πριν το χρησιμοποιήσετε σε λειτουργία επιτραπέζιου πριονιού, βεβαιωθείτε ότι η κεφαλή του εργαλείου έχει ασφαλιστεί με τον μοχλό.
- Πριν το χρησιμοποιήσετε σε λειτουργία επιτραπέζιου πριονιού, βεβαιωθείτε ότι το σχιστικό μαχαίρι έχει ασφαλιστεί στην θέση του κατάλληλα.
- Πριν το χρησιμοποιήσετε σε λειτουργία επιτραπέζιου πριονιού, αφαιρέστε τον κάτω προφυλακτήρα λάμας C.
- Σε λειτουργία επιτραπέζιου πριονιού, ελευθερώστε τον τερματιστή κάτω ορίου.

Το εργαλείο αποστέλλεται από το εργοστάσιο ρυθμισμένο σε λειτουργία λοξού πριονιού. Πριν το χρησιμοποιήσετε σε λειτουργία επιτραπέζιου πριονιού, αλλάξτε την ρύθμιση και ακολουθήστε την διαδικασία παρακάτω.

1. Ασφάλιση του περιστρεφόμενου τραπέζιου (Εικ. 42)

Για να ασφαλίσετε το περιστρεφόμενο τραπέζι σφίχτε την βίδα σύσφιξης σταθερά στον φράκτη οδηγό σε λοξή γωνία 0°.

2. Ασφάλιση της κεφαλής του εργαλείου (Εικ. 43)

Ασφαλίστε την κεφαλή του εργαλείου σφίγγοντας τον μοχλό στην διεύθυνση του βέλους που φαίνεται στην εικόνα.

3. Ελευθέρωση του τερματιστή κάτω ορίου (Εικ. 44)

Βεβαιωθείτε ότι η άκρη του τερματιστή κάτω ορίου είναι στην θέση Α στην εικόνα. Γυρίστε την άκρη του τερματιστή κάτω ορίου αριστερόστροφα στην θέση Α όταν είναι τοποθετημένος στην θέση Β.

4. Επανατοποθέτηση του σχιστικού μαχαίριού (Εικ. 45)

Θα πρέπει να αλλάξετε τη θέση (Εικ. 45-Α) όπως περιγράφεται παρακάτω.

- (1) Χαλαρώστε το παξιμάδι σύσφιξης. (Εικ. 45-Β)
- (2) Τραβήχτε και περιστρέψτε το σχιστικό μαχαίρι στην θέση γωνίας 90° κατά την διεύθυνση του βέλους όπως φαίνεται στις εικόνες. (Εικ. 45-С) Και σπρώχτε το ελαφρά έτσι ώστε να ακινητοποιηθεί στην θέση αυτή.
- (3) Ανυψώστε τον κάτω προφυλακτήρα λάμας Α χρησιμοποιώντας τον γάντζο του με το χέρι ενώ σπρώχνετε τον μοχλό κοντά στην λαβή στα αριστερά, και ελευθερώνοντας τον μοχλό κοντά στην λαβή. (Εικ. 45-Д)
- (4) Σπρώχτε το σχιστικό μαχαίρι στην διεύθυνση του βέλους (βλ. Εικ. 45-Ε) ώστε ευθυγραμμίζεται με την λάμα πριονιού.
- (5) Αφού πλώξετε το σχιστικό μαχαίρι στην διεύθυνση του βέλους που φαίνεται στην εικόνα, ελευθερώστε τον κάτω προφυλακτήρα λάμας Α.
- (6) Αφού ευθυγραμμίσετε το σχιστικό μαχαίρι, σφίχτε με ασφάλεια το παξιμάδι σύσφιξης (βλ. Εικ. 45-Ф).

5. Αφαίρεση του κάτω προφυλακτήρα λάμας C (Εικ. 46)

Αφαιρέστε τον κάτω προφυλακτήρα λάμας C από το τραπέζι χαλαρώνοντας την βίδα σύσφιξης.

6. Κλειδώμα της κεφαλής του εργαλείου σε πλήρως χαμηλωμένη θέση (Εικ. 47 και 48)

Αφού ρυθμίσετε το σχιστικό μαχαίρι σε θέση για λειτουργία επιτραπέζιου πριονιού, τραβήχτε τον τερματιστή στην διεύθυνση του βέλους Α και γυρίστε το σε γωνία 90° στην διεύθυνση του βέλους Β με τον τερματιστή τραβηγμένο. Μετά χαμηλώστε την λαβή για να κλειδώσετε την κεφαλή του εργαλείου.

ΠΡΟΣΟΧΗ:

- Όταν η κεφαλή του εργαλείου δεν μπορεί να κλειδωθεί στην πλήρως χαμηλωμένη θέση, γυρίστε το κουμπί ρύθμισης βάθους αρκετές στροφές δεξιόστροφα.
- Πριν γυρίσετε ανάποδα το εργαλείο, πάντοτε βεβαιώνετε ότι ο πείρος τερματιστή έχει κλειδώσει με ασφάλεια την κεφαλή του εργαλείου στην χαμηλότερη θέση.

7. Γυρίζοντας το εργαλείο ανάποδα (Εικ. 49)

ΠΡΟΕΙΔΟΠΟΙΗΣΗ:

- Πάντοτε να βεβαιώνετε ότι το εργαλείο είναι σβηστό και αποσυρμένο πριν το περιστρέψετε.

- Όταν σπρώχνετε τον μοχλό κάτω, βεβαιωθείτε να βάλετε το χέρι σας/δάκτυλα μακριά από την περιοχή προσαρμογής μοχλού-τραπεζιού. Κρατήστε την μεσαία άκρη του τραπεζιού με το ένα χέρι, σπρώχτε τον μοχλό κάτω με το άλλο χέρι ενώ κρατάτε την άκρη του τραπεζιού σταθερά και περιστρέψτε το τραπέζι προσεκτικά για να το αναποδογυρίσετε. Συνεχίστε να το κρατάτε μέχρι να κλειδώσει.

8. Τοποθέτηση του άνω προφυλακτήρα λάμας (Εικ. 50)

Σπρώχτε το κουμπί ώθησης του άνω προφυλακτήρα λάμας στην πλευρική του επιφάνεια, τοποθετήστε το στην εγκοπή του σχιστικού μαχαιριού με το κουμπί πατημένο και ελευθερώστε το κουμπί.

Αφού ελευθερώσετε το κουμπί ώθησης, βεβαιωθείτε ότι ο άνω προφυλακτήρας λάμας είναι ασφαλισμένος προσπαθώντας να τον τραβήξετε έξω.

ΠΡΟΣΟΧΗ:

- Αφού τοποθετήσετε τον άνω προφυλακτήρα λάμας, βεβαιωθείτε ότι λειτουργεί ομαλά.

Ρύθμιση του εργαλείου σε λειτουργία λοξού πριονιού (Εικ. 51)

ΠΡΟΕΙΔΟΠΟΙΗΣΗ:

- Βεβαιωθείτε ότι τοποθετείτε τον κάτω προφυλακτήρα λάμας C πριν χρησιμοποιήσετε το εργαλείο σε λειτουργία λοξού πριονιού.

Για να αλλάξετε την ρύθμιση από λειτουργία επιτραπέζιου πριονιού σε λειτουργία λοξού πριονιού, αντιστρέψτε την διαδικασία του εδαφίου με τίτλο «Ρυθμίστε το εργαλείο σε λειτουργία επιτραπέζιου πριονιού».

1. Αφαίρεση του άνω προφυλακτήρα λάμας

Σπρώχτε το κουμπί ώθησης του άνω προφυλακτήρα λάμας στην πλευρική του επιφάνεια, και μετά απλώς αφαιρέστε τον άνω προφυλακτήρα λάμας προς τα επάνω με το κουμπί πατημένο.

2. Τοποθέτηση του κάτω προφυλακτήρα λάμας C

Τοποθετήστε τον κάτω προφυλακτήρα λάμας C στο τραπέζι έτσι ώστε να ταιριάζει στην εγκοπή του τραπεζιού και σφίγγοντας την βίδα σύσφιξης σταθερά.

3. Γύρισμα του εργαλείου ανάποδα

Ανατρέξτε στο εδάφιο με τον ίδιο τίτλο στο «Ρυθμίστε το εργαλείο σε λειτουργία επιτραπέζιου πριονιού».

4. Ελευθέρωση της κεφαλής του εργαλείου από την πλήρως χαμηλωμένη θέση

Ενώ κρατάτε την λαβή, τραβήχτε τον πείρο τερματιστή κατά την διεύθυνση του βέλους A, γυρίστε το σε γωνία 90° κατά την διεύθυνση του βέλους B με τον πείρο τερματιστή τραβηγμένο και μετά ανυψώστε την λαβή αργά.

5. Επανατοποθέτηση του σχιστικού μαχαιριού (Εικ. 52)

Η θέση του σχιστικού μαχαιριού (Εικ. 52-A) πρέπει να αλλάξει ως εξής.

- (1) Χαλαρώστε το παξιμάδι σύσφιξης και κρατήστε τον κάτω προφυλακτήρα λάμας A με το χέρι χρησιμοποιώντας τον γάντζο του. (Εικ. 52-B)

- (2) Ενώ κρατάτε τον κάτω προφυλακτήρα λάμας A, τραβήχτε το σχιστικό μαχαιρί έτσι ώστε γυρίζεται και περιστρέφεται στην θέση στην διεύθυνση του βέλους. (Εικ. 52-C)

- (3) Με το σχιστικό μαχαιρί στην θέση αυτή, επαναφέρετε τον κάτω προφυλακτήρα λάμας A στην αρχική θέση και σφίχτε το παξιμάδι σύσφιξης με ασφάλεια. (Εικ. 52-D και E)

ΛΕΙΤΟΥΡΓΙΑ

ΠΡΟΣΟΧΗ:

- Πριν από την χρήση, βεβαιωθείτε ότι ελευθερώνετε την λαβή από την χαμηλωμένη θέση τραβώντας τον πείρο τερματιστή και γυρίζοντας το σε γωνία 90°.
- Βεβαιωθείτε ότι η λάμα δεν κάνει επαφή με το τεμάχιο εργασίας, κλπ. πριν οδ ακοκπτης ανάψει.

ΚΟΠΗ ΩΣ ΛΟΞΟ ΠΡΙΟΝΙ

ΠΡΟΕΙΔΟΠΟΙΗΣΗ:

- Βεβαιωθείτε ότι ο κάτω προφυλακτήρας λάμας C έχει τοποθετηθεί πριν το χρησιμοποιήσετε σε λειτουργία λοξής κοπής.

ΠΡΟΣΟΧΗ:

- Μην εξασκείτε υπερβολική πίεση στην λαβή όταν κόβετε. Πάρα πολύ δύναμη μπορεί να έχει ως αποτέλεσμα υπερφόρτωση του κινητήρα και/ή μειωμένη επάρκεια κοπής. Σπρώχτε την λαβή προς τα κάτω με μόνον τόση δύναμη όσο είναι απαραίτητο για ομαλό κόψιμο και χωρίς σημαντική μείωση σε ταχύτητα λάμας.
- Πιέστε απαλά κάτω την λαβή να εκτελέσετε την κοπή. Εάν η λαβή πατηθεί κάτω με δύναμη ή εάν πλευρική δύναμη εφαρμοστεί, η λάμα θα δονείται και θα αφήσει ένα σημάδι (σημάδι πριονιού) στο τεμάχιο εργασίας και η ακρίβεια της κοπής θα ελαττωθεί.

1. Κοπή πίεσης (Εικ. 53)

Ασφαλίστε το τεμάχιο εργασίας πάνω στον φράκτη οδηγό και στο περιστρεφόμενο τραπέζι. Ανάψτε το εργαλείο χωρίς η λάμα να κάνει καμία επαφή και περιμένετε μέχρι η λάμα να αποκτήσει πλήρη ταχύτητα πριν το χαμηλώμα. Μετά χαμηλώστε απαλά την λαβή στην πλήρως χαμηλωμένη θέση για να κόψετε το τεμάχιο εργασίας. Όταν η κοπή έχει ολοκληρωθεί, σβήστε το εργαλείο και ΠΕΡΙΜΕΝΕΤΕ ΜΕΧΡΙ Η ΛΑΜΑ ΝΑ ΣΤΑΜΑΤΗΣΕΙ ΕΝΤΕΛΩΣ πριν επαναφέρετε την λάμα στην πλήρως ανυψωμένη θέση.

2. Λοξή κοπή

Ανατρέξτε στο προηγούμενος καλυφθέν «Ρύθμιση της λοξής γωνίας».

3. Κωνική κοπή (Εικ. 54)

Χαλαρώστε τον μοχλό και δώστε κλίση στην λάμα πριονιού για να ρυθμίσετε την κωνική γωνία (Ανατρέξτε στο προηγούμενος καλυφθέν «Ρύθμιση της κωνικής γωνίας»). Βεβαιωθείτε ότι ξανασφίγγετε τον μοχλό σταθερά για να σιγουρέψετε την επιλεγμένη κωνική γωνία με ασφάλεια. Ασφαλίστε το τεμάχιο εργασίας πάνω στον φράκτη οδηγό και στο περιστρεφόμενο τραπέζι. Ανάψτε το εργαλείο χωρίς η λάμα να κάνει καμία επαφή και περιμένετε μέχρι η λάμα να αποκτήσει πλήρη ταχύτητα. Μετά χαμηλώστε απαλά την λαβή στην πλήρως χαμηλωμένη θέση ενώ εφαρμόζετε πίεση παράλληλα προς την λάμα.

Όταν η κοπή έχει ολοκληρωθεί, σβήστε το εργαλείο και ΠΕΡΙΜΕΝΕΤΕ ΜΕΧΡΙ Η ΛΑΜΑ ΝΑ ΣΤΑΜΑΤΗΣΕΙ ΕΝΤΕΛΩΣ πριν επαναφέρετε την λάμα στην πλήρως ανυψωμένη θέση.

ΠΡΟΣΟΧΗ:

- Πάντοτε βεβαιώνεστε ότι η λάμα θα μετακινηθεί κάτω σε κωνική διεύθυνση κατά την διάρκεια κωνικής κοπής. Κρατάτε τα χέρια σας έξω από την τροχιά της λάμας πριονιού.
- Κατά την διάρκεια κωνικής κοπής, μπορεί να δημιουργηθεί μιά κατάσταση όπου το αποκοπίδι θα παραμείνει πάνω στην πλευρά της λάμας. Εάν η λάμα ανυψωθεί ενώ ακόμη περιστρέφεται, αυτό το κομμάτι μπορεί να πιαστεί από την λάμα, και να προκληθεί διασκόρπιση τεμαχιδίων πράγμα που είναι επικίνδυνο. Η λάμα πρέπει να ανυψώνεται ΜΟΝΟ αφού έχει σταματήσει τελείως.
- Όταν πιέζετε την λαβή κάτω, εφαρμόζετε πίεση παράλληλα προς την λάμα. Εάν η πίεση δεν είναι παράλληλη προς την λάμα κατά την διάρκεια της κοπής, η γωνία της λάμας μπορεί να μεταβληθεί και η ακρίβεια της κοπής να ελαττωθεί.
- Να αφαιρείτε πάντα τον δευτερεύοντα φράκτη όταν πραγματοποιείτε αριστερές κωνικές κοπές.

4. Σύνθετη κοπή

Σύνθετη κοπή είναι η διαδικασία κατά την οποία μιά κωνική γωνία δημιουργείται την ίδια στιγμή κατά την οποία μιά λοξή γωνία κόβεται στο τεμάχιο εργασίας. Σύνθετη κοπή μπορεί να εκτελεστεί σε γωνία που φαίνεται στον πίνακα.

Κωνική γωνία	Λοξή γωνία
45°	Αριστερά και Δεξιά 0 – 45°

006366

Όταν εκτελείτε σύνθετη κοπή, ανατρέξτε στα «Κοπή πίεσης», «Λοξή κοπή» και «Κωνική κοπή» για εξηγήσεις.

5. Κοπή προεχοχών αλουμινίου (Εικ. 55)

Όταν ασφαλίσετε προεχοχές αλουμινίου, χρησιμοποιείτε μπλοκ διαστήματος ή αχρηστα μέταλλα όπως φαίνεται στην εικόνα για να προληφθεί η παραμόρφωση του αλουμινίου. Χρησιμοποιείτε ένα λιπαντικό κοπής όταν κόβετε την προεχοχή αλουμινίου για να εμποδίσετε την συσσώρευση υλικού από το αλουμίνιο επάνω στην λάμα.

ΠΡΟΣΟΧΗ:

- Ποτέ μην επιχειρήσετε να κόψετε παχειές ή στρογγυλές προεχοχές αλουμινίου. Παχειές προεχοχές αλουμινίου μπορεί να χαλαρώσουν κατά την διάρκεια της λειτουργίας και στρογγυλές προεχοχές αλουμινίου δεν μπορούν να ασφαλιστούν σταθερά με το εργαλείο αυτό.
- Ποτέ μη κόβετε αλουμίνιο με λειτουργία επιτραπέζιου πριονιού (λειτουργία πάγκου).

ΚΟΠΗ ΩΣ ΕΠΙΤΡΑΠΕΖΙΟ ΠΡΙΟΝΙ (ΛΕΙΤΟΥΡΓΙΑ ΠΑΓΚΟΥ)

ΠΡΟΣΟΧΗ:

- Πάντοτε χρησιμοποιείτε «βοηθούς εργασίας» όπως ράβδους ώθησης και μπλοκ ώθησης όταν υπάρχει κίνδυνος τα χέρια σας ή δάκτυλα σας να πλησιάσουν κοντά στην λάμα.

- Πάντοτε κρατάτε το τεμάχιο εργασίας σταθερά με το τραπέζι και τον φράκτη σχισίματος. Μη λυγίζετε ούτε στρίβετε το τεμάχιο εργασίας κατά την τροφοδότηση. Εάν το τεμάχιο εργασίας έχει λυγίσει ή στρεβλωθεί, επικινδύνα οπισθολακτίσματα μπορεί να συμβούν.
- ΠΟΤΕ μην αποσύρετε το τεμάχιο εργασίας ενώ η λάμα περιστρέφεται. Εάν πρέπει να αποσύρετε το τεμάχιο εργασίας πριν την συμπλήρωση μιάς κοπής, πρώτα σβήστε το εργαλείο ενώ κρατάτε το τεμάχιο εργασίας σταθερά. Περιμένετε μέχρι η λάμα να σταματήσει εντελώς πριν αποσύρετε το τεμάχιο εργασίας. Αμέλεια να το κάνετε μπορεί να προκαλέσει επικίνδυνα οπισθολακτίσματα.
- ΠΟΤΕ μην αφαιρείτε αποκομμένο υλικό ενώ η λάμα περιστρέφεται.
- ΠΟΤΕ μην τοποθετήσετε τα χέρια σας ή δάκτυλα σας στην τροχιά της λάμας.
- Πάντοτε ασφαλίσετε τον φράκτη σχισίματος σταθερά, ή επικινδύνα οπισθολακτίσματα μπορεί να συμβούν.
- Πάντοτε χρησιμοποιείτε «βοηθούς εργασίας» όπως ράβδους ώθησης και μπλοκ ώθησης όταν κόβετε μικρά ή στενά αντικείμενα, ή όταν η προβληματική κεφαλή δεν είναι ορατή κατά την κοπή.
- Όταν κόβετε ως επιτραπέζιο διακοπρίονο (λειτουργία πάγκου), αφαιρέστε τον δευτερεύοντα φράκτη.

Βοηθοί εργασίας

Ράβδοι ώθησης, μπλοκ ώθησης ή βοηθητικοί φράκτες είναι τύποι «Βοηθών εργασίας». Χρησιμοποιείτε τους για να κάνετε ασφαλείς, σίγουρες κοπές χωρίς την ανάγκη του χρήστη να έρχεται σε επαφή με την λάμα με κάποιο μέρος του σώματός του.

Μπλοκ ώθησης (Εικ. 56)

Χρησιμοποιείτε ένα κομμάτι κόντραπλακέ των 19 χιλ.

Η λαβή πρέπει να είναι στο κέντρο του κόντραπλακέ. Στερεώστε με κόλλα και ξυλόβιδες όπως φαίνεται. Μικρό τεμάχιο ξύλου 9,5 χιλ x 8 χιλ x 50 χιλ πρέπει πάντοτε να στερεώνεται με κόλλα σε κόντραπλακέ για να προστατεύει την λάμα από άμβλυση εάν ο χρήστης κόψει από λάθος μέσα στο μπλοκ ώθησης. (Ποτέ μη χρησιμοποιείτε καρφιά στο μπλοκ ώθησης.)

Βοηθητικός φράκτης (Εικ. 57)

Φτιάξτε βοηθητικό φράκτη από κομμάτια κόντραπλακέ 9,5 χιλ και 19 χιλ.

Σχίσιο

ΠΡΟΣΟΧΗ:

- Όταν οχίζετε, αφαιρέστε τον λοξό μετρητή από το τραπέζι.
- Όταν κόβετε μακρού ή φαρδειά τεμάχια εργασίας, πάντοτε παρέχετε αρκετή υποστήριξη κάτω από το τραπέζι. ΜΗΝ επιτρέπετε σε μιά μακρού σανίδα να κινηθεί ή να μετατοπιστεί στο τραπέζι. Αυτό θα προκαλέσει την λάμα να μαγκώσει και αυξάνει την πιθανότητα για οπισθολακτίσμα και προσωπικό τραυματισμό. Η υποστήριξη πρέπει να είναι στο ίδιο ύψος όπως το τραπέζι.

1. Ρυθμίστε το βάθος της κοπής λίγο ψηλότερα από το πάχος του τεμαχίου εργασίας. Για να κάνετε αυτή την ρύθμιση, ανατρέξτε στο εδάφιο με τίτλο «Ρύθμιση του βάθους κοπής».

2. Τοποθετήστε τον φράκτη σχισίματος στο επιθυμητό πλάτος σχισίματος και ασφαλίστε το στην θέση του σφίγγοντας την βίδα σύσφιξης (Α). Πριν από το σχίσμο, βεβαιωθείτε ότι οι δύο βίδες της θήκης του φράκτη σχισίματος είναι ασφαλισμένες. Εάν δεν είναι αρκετά ασφαλείς, ξανασφίξτε.

3. Ανάψτε το εργαλείο και απαλά τροφοδοτείστε το τεμάχιο εργασίας μέσα στην λάμα κατά μήκος του φράκτη σχισίματος.

(1) Όταν το πλάτος σχισίματος είναι 150 χιλ και πλατύτερο, προσεκτικά χρησιμοποιείτε ένα χέρι να τροφοδοτήσετε το τεμάχιο εργασίας. Χρησιμοποιείτε το άλλο χέρι να κρατάτε το τεμάχιο εργασίας σε θέση πάνω στον φράκτη σχισίματος. **(Εικ. 58)**

(2) Όταν το πλάτος σχισίματος είναι 65 χιλ – 150 χιλ, χρησιμοποιείτε την ράβδο ώθησης για να τροφοδοτήσετε το τεμάχιο εργασίας. **(Εικ. 59)**

(3) Όταν το πλάτος σχισίματος είναι στενότερο από 65 χιλ, η ράβδος ώθησης δεν μπορεί να χρησιμοποιηθεί διότι θα χτυπήσει στον προφυλακτήρα της λάμας. Χρησιμοποιείτε βοηθητικό φράκτη και μπλοκ ώθησης. Προσαρμόστε τον βοηθητικό φράκτη στον φράκτη σχισίματος με δύο «C» σφιγκτήρες. **(Εικ. 60)**

Τροφοδοτείστε το τεμάχιο εργασίας με το χέρι μέχρι το τέλος να είναι περίπου 25 χιλ από την εμπρόσθια άκρη του πάνω τραπέζιου. Συνεχίστε την τροφοδοσία χρησιμοποιώντας την ράβδο ώθησης πάνω από τον βοηθητικό φράκτη μέχρι να ολοκληρωθεί η κοπή. **(Εικ. 61)**

Κάθετη κοπή

ΠΡΟΣΟΧΗ:

- Όταν κάνετε μία κάθετη τομή, αφαιρέστε τον φράκτη σχισίματος από το τραπέζι.
- Όταν κόβετε μακρὰ ή φαρδεια τεμάχια εργασίας, πάντοτε παρέχετε επαρκή υποστήριξη στις πλευρές του τραπέζιου. Η υποστήριξη πρέπει να είναι στο ίδιο ύψος όπως το τραπέζι.
- Πάντοτε κρατάτε τα χέρια σας μακριὰ από την τροχιά της λάμας.

Μετρητής λοξής κοπής (Εικ. 62)

Χρησιμοποιείτε τον λοξό μετρητή για τους 4 τύπους κοπής που φαίνονται στην εικόνα.

ΠΡΟΣΟΧΗ:

- Ασφαλίστε το κουμπί στον λοξό μετρητή προσεκτικά.
- Αποφύγετε την ολίσθηση του τεμαχίου εργασίας και μετρητή με μία διάταξη σταθερού κρατήματος του τεμαχίου εργασίας, ιδιαίτερα όταν κόβετε υπό γωνία.
- ΠΟΤΕ μην κρατάτε ή γραπώνετε το προοριζόμενο για αποκοπή τμήμα του τεμαχίου εργασίας.

Χρήση του λοξού μετρητή (Εικ. 63)

Σύρτε τον λοξό μετρητή μέσα στις παχειές αυλακώσεις στο τραπέζι. Χαλαρώστε το κουμπί στον μετρητή και ευθυγραμμίστε στην επιθυμητή γωνία (0° έως 60°). Φέρτε το υλικό σε ευθυγράμμιση με τον φράκτη και τροφοδοτείστε απαλά προς τα εμπρός στην λάμα.

Βοηθητική πρόσοψη ξύλου (λοξός μετρητής) (Εικ. 64)

Για να εμποδιστεί μία μακρὰ σανίδα από ακανόνιστη περιστροφή, εφαρμόστε τον λοξό μετρητή με μία βοηθητική σανίδα φράκτη. Στερεώστε με μπουλόνια/παξιμάδια αφού ανοίξετε τρύπες, αλλά οι στερεωτές δεν πρέπει να προεξέχουν από την σανίδα όψης.

Μεταφορά του εργαλείου (Εικ. 65)

Βεβαιωθείτε ότι το εργαλείο είναι αποσυνδεδεμένο. Για το εργαλείο που μόλις χρησιμοποιήθηκε στην λειτουργία λοξού πριονιού, ασφαλίστε την λάμα σε κωνική γωνία 0° και το περιστρεφόμενο τραπέζι σε λοξή γωνία 0°. Χαμηλώστε την λαβή πλήρως και κλειδώστε την στην χαμηλωμένη θέση σπρώχνοντας εντελώς τον ανασταλτικό πείρο.

Μεταφέρετε το εργαλείο κρατώντας το τμήμα του εργαλείου που φαίνεται στην εικόνα. **(Εικ. 66)**

ΠΡΟΣΟΧΗ:

- Πάντοτε ασφαλίστε όλα τα κινητά τμήματα πριν μεταφέρετε το εργαλείο.
- Πριν μεταφέρετε το εργαλείο, πάντοτε ρυθμίζετε το εργαλείο στην λειτουργία λοξού πριονιού.
- Βεβαιωθείτε ότι ο κάτω προφυλακτήρας λάμας C είναι εγκατεστημένος στο εργαλείο.

ΣΥΝΤΗΡΗΣΗ

ΠΡΟΣΟΧΗ:

- Πάντοτε βεβαιώνετε ότι το εργαλείο είναι σβηστό και αποσυνδεδεμένο πριν επιχειρήσετε να εκτελέσετε επιθεώρηση ή συντήρηση.
- Μην χρησιμοποιείτε ποτέ βενζίνη, πετρελαϊκό αιθέρα, διαλυτικό, αλκοόλη ή παρόμοιες ουσίες. Ενδέχεται να προκληθεί αποχρωματισμός παραμόρφωση ή ρωγμές.

ΠΡΟΕΙΔΟΠΟΙΗΣΗ:

- Πάντοτε βεβαιώνετε ότι η λάμα είναι ακονισμένη και καθαρή για την καλύτερη και ασφαλέστερη απόδοση.

Ρύθμιση της γωνίας κοπής

Αυτό το εργαλείο είναι προσεκτικά ρυθμισμένο και ευθυγραμμισμένο στο εργοστάσιο, αλλά βίαιοι χειρισμοί μπορεί να έχουν επηρεάσει την ευθυγράμμιση. Εάν το εργαλείο σας δεν είναι ευθυγραμμισμένο κατάλληλα, εκτελέστε τα ακόλουθα.

1. Λοξή γωνία

Ρυθμιστικά μπουλόνια για λοξή γωνία 0° είναι τοποθετημένα σε τέσσερις θέσεις. Χαλαρώστε τέσσερα ρυθμιστικά μπουλόνια λοξής γωνίας 0° γυρίζοντας αριστερόστροφα από το κάτω μέρος του τραπέζιου. **(Εικ. 67)**

Χαμηλώστε την λαβή πλήρως και κλειδώστε την στην χαμηλωμένη θέση τραβώντας και περιστρέφοντας τον ανασταλτικό πείρο στην γωνία των 90° δεξιόστροφα. Τετραγωνίστε την πλευρά της λάμας με την όψη του φράκτη οδηγού χρησιμοποιώντας ένα τριγωνικό κανόνα, δοκιμαστικό τετράγωνο, κλπ. Μετά σφίχτε με ασφάλεια τα τέσσερα μπουλόνια στον υπο βραχίονα από την κάτω πλευρά του τραπεζιού. Βεβαιωθείτε ότι ο δείκτης δείχνει στο 0° στην λοξή κλίμακα. Εάν δεν είναι έτσι, ρυθίστε την θέση του δείκτη χαλαρώνοντας την βίδα που ασφαλίσει τον δείκτη. Μετά την ρύθμιση, σφίχτε την βίδα με ασφάλεια. **(Εικ. 68)**

2. Κωνική γωνία

(1) 0° κωνική γωνία

Χαμηλώστε την λαβή πλήρως και κλειδώστε την στην χαμηλωμένη θέση τραβώντας και περιστρέφοντας τον ανασταλτικό πείρο στην γωνία των 90° δεξιόστροφα. Χαλαρώστε τον μοχλό στο πίσω μέρος του εργαλείου.

Γυρίστε, από την κάτω πλευρά του τραπεζιού, το ρυθμιστικό μπουλόνι κωνικής γωνίας 0° στην δεξιά πλευρά του υπο βραχίονα δύο ή τρεις περιστροφές αριστερόστροφα για να κινείτε την λάμα στα δεξιά. **(Εικ. 69)**

Προσεκτικά τετραγωνίστε την πλευρά της λάμας με την άνω επιφάνεια του περιστρεφόμενου τραπεζιού χρησιμοποιώντας τον τριγωνικό κανόνα, δοκιμαστικό τετράγωνο, κλπ. γυρίζοντας το ρυθμιστικό μπουλόνι κωνικής γωνίας 0° δεξιόστροφα. **(Εικ. 70)**

Βεβαιωθείτε ότι ο δείκτης στην περιστρεφόμενου τραπεζιού δείχνει στο 0° στην κωνική κλίμακα στον βραχίονα. Εάν δεν δείχνει στο 0°, χαλαρώστε την βίδα που ασφαλίσει τον δείκτη και ρυθμίστε τον δείκτη έτσι ώστε να δείχνει στο 0°.

(2) 45° κωνική γωνία

Ρυθμίστε την κωνική γωνία των 45° μόνο αφού εκτελέσετε ρύθμιση κωνικής γωνίας 0°. Για να ρυθμίσετε την κωνική γωνία 45°, χαλαρώστε τον μοχλό και δώστε πλήρη κλίση στην λάμα προς τα αριστερά. Βεβαιωθείτε ότι ο δείκτης στον βραχίονα δείχνει στο 45° στην κωνική κλίμακα στον βραχίονα. Εάν ο δείκτης δεν δείχνει στο 45°, γυρίστε, από την κάτω πλευρά του τραπεζιού, το ρυθμιστικό μπουλόνι κωνικής γωνία 45° στην αριστερή πλευρά του υπο βραχίονα μέχρι ο δείκτης να δείχνει στο 45°. **(Εικ. 71)**

Αντικατάσταση ψηκτρών άνθρακα (Εικ. 72 και 73)

Αφαιρέτε και ελέγχετε τις ψηκτρες άνθρακα τακτικά. Αντικαθιστάτε όταν φθείρονται μέχρι το σημάδι ορίου. Κρατάτε τις ψηκτρες άνθρακα καθαρές και ελεύθερες να γλιστρούν μέσα στις θήκες. Και οι δύο ψηκτρες άνθρακα πρέπει να αντικαθίστανται ταυτόχρονα. Χρησιμοποιείτε μόνο ταυτόσημες ψηκτρες άνθρακα.

Χρησιμοποιείτε ένα κατσαβίδι για να αφαιρέσετε τα καπάκια των ψηκτρών άνθρακα. Βγάλτε τις φθαρμένες ψηκτρες άνθρακα, βάλτε τις καινούργιες και ασφαλίστε τα καπάκια των ψηκτρών άνθρακα.

Μετά την χρήση

• Μετά την χρήση σφουγγίζετε καλά τα τεμαχίδια και την σκόνη που είναι κολλημένα στο εργαλείο με ένα ύφασμα ή κάτι παρόμοιο για να εξασφαλίσετε μέγιστη διάρκεια ζωής. Κρατάτε τους προφυλακτήρες λάμας καθαρούς σύμφωνα με τις οδηγίες στο προηγούμενος καλυφθέν εδάφιο με τίτλο «Προφυλακτήρας λάμας». Λιπάνετε τα ολισθαίνοντα τμήματα με έλαιο μηχανής να εμποδίσετε το σκούρισμα.

Για την διατήρηση της ΑΣΦΑΛΕΙΑΣ και ΑΞΙΟΠΙΣΤΙΑΣ του προϊόντος, επισκευές, οτιδήποτε άλλη συντήρηση ή ρυθμίσεις πρέπει να εκτελούνται από τα Εξουσιοδοτημένα Κέντρα Σέρβις της Makita, πάντοτε κάνοντας χρήση ανταλλακτικών Makita.

ΠΡΟΑΙΡΕΤΙΚΑ ΕΞΑΡΤΗΜΑΤΑ

ΠΡΟΣΟΧΗ:

• Αυτά τα ανταλλακτικά ή προσαρτήματα συνιστώνται για χρήση με το εργαλείο σας της Makita που περιγράφεται στο εγχειρίδιο αυτό. Η χρήση οτιδήποτε άλλων ανταλλακτικών ή προσαρτημάτων μπορεί να παρουσιάσουν κίνδυνο τραυματισμού σε άτομα. Χρησιμοποιήστε ανταλλακτικά ή προσαρτήματα μόνο για τον καθορισμένο σκοπό.

Εάν χρειάζεστε οποιαδήποτε βοήθεια για περισσότερες πληροφορίες σε σχέση με αυτά τα εξαρτήματα, απαντήστε στο τοπικό σας κέντρο εξυπηρέτησης Makita.

- Λάμες προιονιού με άκρα από ατσάλι και καρβίδιο
- Κατακόρυφη μέγγενη
- Εξαγωνικό κλειδί 6
- Σάκος σκόνης
- Τριγωνικός κανόνας
- Κάλυμμα σκόνης (Προφυλακτήρας κάτω λάμας C)
- Ράβδος ώθησης
- Σύνολο κανόνα (Φράκτης σχισίματος)
- Μετρητής λοξής κοπής
- Πλάκα σταθεροποίησης (3 τμχ)
- Εξάγωνο μπουλόνι (3 τμχ)
- Αγκώνας
- Σύνολο άνω καλύμματος (Προφυλακτήρας άνω λάμας)

ΠΑΡΑΤΗΡΗΣΗ:

• Μερικά στοιχεία στη λίστα μπορεί να συμπεριλαμβάνονται στη συσκευασία εργαλείου ως στάνταρ εξαρτήματα. Μπορεί να διαφέρουν ανάλογα με τη χώρα.

ENG9005-1

Θορύβος

Το τυπικό A επίπεδο μετρημένου θορύβου καθορίζεται σύμφωνα με το EN61029:

Στάθμη πίεσης ήχου (L_{pA}): 91 dB (A)

Στάθμη δύναμης ήχου (L_{WA}): 108 dB (A)

Αβεβαιότητα (K): 3 dB (A)

Φοράτε ωτοασπίδες

ENG900-1

Κραδασμός

Η ολική τιμή δόνησης (άθροισμα τρι-αξονικού διανύσματος) καθορίζεται σύμφωνα με το EN61029:

Εκπομπή δόνησης (a_{h1}): 2,5 m/s² ή λιγότερο

Αβεβαιότητα (K): 1,5 m/s²

- Η δηλωμένη τιμή εκπομπής κραδασμών έχει μετρηθεί σύμφωνα με την πρότυπη μέθοδο δοκιμής και μπορεί να χρησιμοποιηθεί για τη σύγκριση ενός εργαλείου με άλλο.
- Η δηλωμένη τιμή εκπομπής κραδασμών μπορεί να χρησιμοποιηθεί και στην προκαταρκτική αξιολόγηση έκθεσης.

ΠΡΟΕΙΔΟΠΟΙΗΣΗ:

- Η εκπομπή κραδασμών κατά τη χρήση του ηλεκτρικού εργαλείου σε πραγματικές συνθήκες μπορεί να διαφέρει από τη δηλωμένη τιμή εκπομπής ανάλογα με τον τρόπο χρήσης του εργαλείου.
- Φροντίστε να λάβετε τα κατάλληλα μέτρα προστασίας του χειριστή βάσει υπολογισμού της έκθεσης σε πραγματικές συνθήκες χρήσης (λαμβάνοντας υπόψη όλες τις συνιστώσες του κύκλου λειτουργίας όπως τους χρόνους που το εργαλείο είναι εκτός λειτουργίας και όταν βρίσκεται σε αδρανή λειτουργία πέραν του χρόνου ενεργοποίησης).

Μόνο για χώρες της Ευρώπης**Δήλωση Συμμόρφωσης ΕΚ****Η Makita δηλώνει ότι τα ακόλουθα μηχανήματα:**

Χαρακτηρισμός μηχανήματος:

Ανάποδο πριόνι

Αρ. μοντέλου/ Τύπος: LF1000

συμμορφώνονται με τις ακόλουθες Ευρωπαϊκές Οδηγίες:

2006/42/EK

Κατασκευάζονται σύμφωνα με τα ακόλουθα πρότυπα ή έγγραφα τυποποίησης:

EN61029

Το αρχείο τεχνικών στοιχείων, σύμφωνα με την Οδηγία 2006/42/EK, διατίθεται από:

Makita, Jan-Baptist Vinkstraat 2, 3070, Βέλγιο

30.10.2014



Yasushi Fukaya

Διευθυντής

Makita, Jan-Baptist Vinkstraat 2, 3070, Βέλγιο

Makita Jan-Baptist Vinkstraat 2, 3070, Belgium
Makita Corporation Anjo, Aichi, Japan