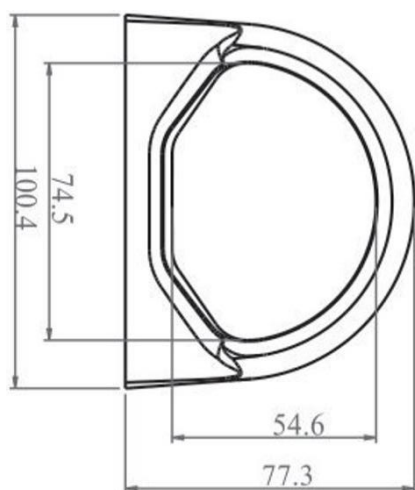
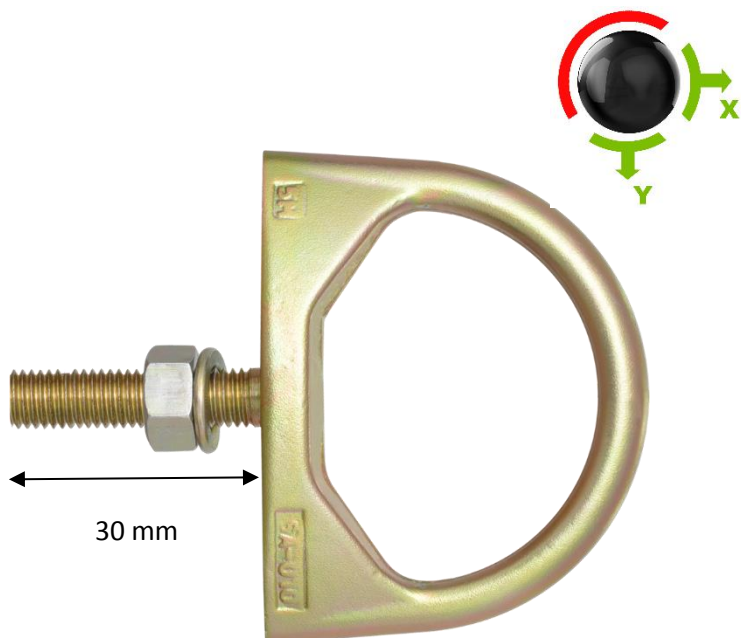




TECHNICAL SHEET FA 60 014 00

Vertical anchorage D-Bolt



- Designed to be installed on vertical surfaces.
- Provided with a lock-nut and a washer.
- **Length of the threaded rod:** 30 mm.
- **Diameter:** M12.
- **Compliance:** EN 795:2012 Type A.
Static strength: 12 kN.
- **Minimum breaking strength:** 23 kN.

Material of components:

Forged Steel

Diameter:	CE	Weight:
M12		0,53 kg

KRATOS SAFETY

ZI les Portes du Dauphiné
4, rue de l'Aigue
69780 Saint Pierre de Chandieu – FRANCE

Tel : +33 (0)4 72 48 78 27

Fax : +33 (0)4 72 48 58 32

www.kratossafety.com / info@kratossafety.com

HS CODE

83081010

CARTON SIZE / PCS.

40 x 30 x 15 cm / 50

Test report n° SPC0204407/1221/2 Issue 2

Satra Technology Centre, N°0321
Wyndham Way, Telford Way, Kettering
Northamptonshire, NN16 8SD, United Kingdom

ARTICLE 11 GB07/73551

SGS United Kingdom Ltd., N°0120
Unit 202B, Worle Parkway,
Weston-super-Mare, BS22 6WA, United Kingdom