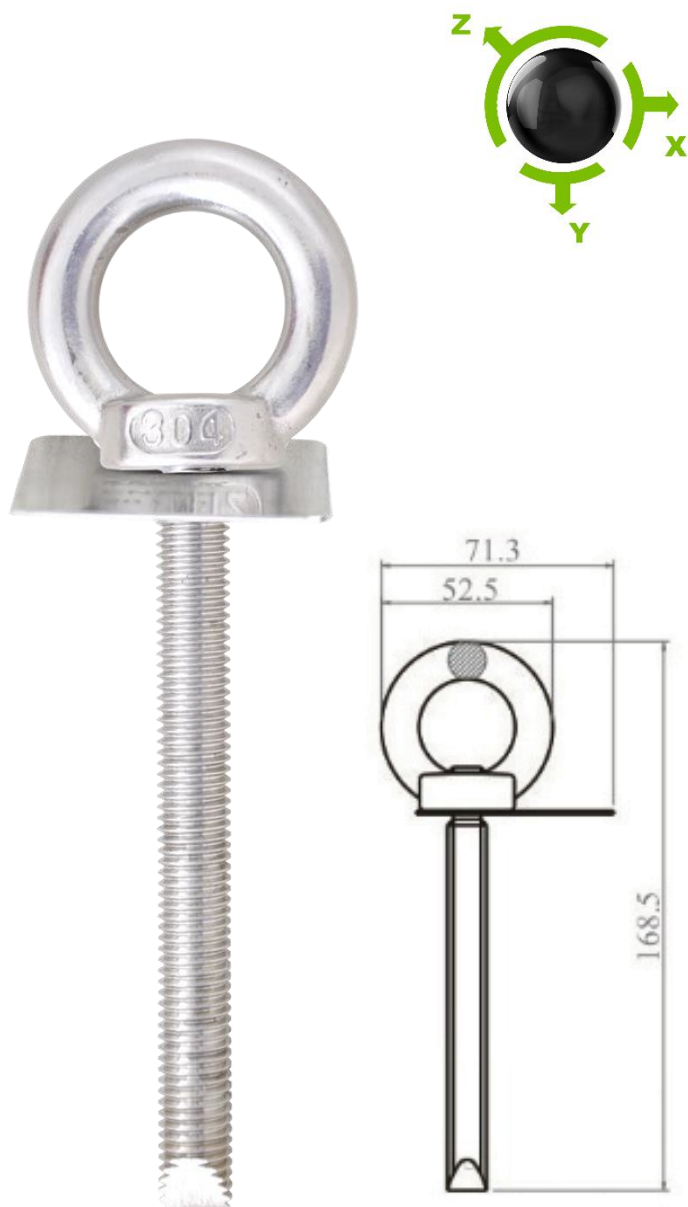




TECHNICAL SHEET FA 60 011 00

STAINLESS STEEL ANCHOR POINT



Stainless steel anchorage point with eye bolt

Designed to be fixed with a chemical ankle (not provided).

Thread length under head: 115 mm.

Diameter: M12.

Minimum breaking strength > 22 kN.

Compliance: EN795:2012 Type A.

Material:

Stainless steel

| | | |
|----------------|----|----------|
| Thread diam. : | CE | Weight : |
| M12 | | 0.26 kg |

KRATOS SAFETY

ZI les Portes du Dauphiné
4, rue de l'Aigue
69780 Saint Pierre de Chandieu – FRANCE

Tel : +33 (0)4 72 48 78 27

Fax : +33 (0)4 72 48 58 32

www.kratossafety.com / info@kratossafety.com

HS CODE

83081010

CARTON SIZE / PIECES

40 x 30 x 15 / 50

ARTICLE 11 GB07/73551

SGS United Kingdom Ltd., N°0120
Unit 202B, Worle Parkway,
Weston-super-Mare, BS22 6WA, United Kingdom