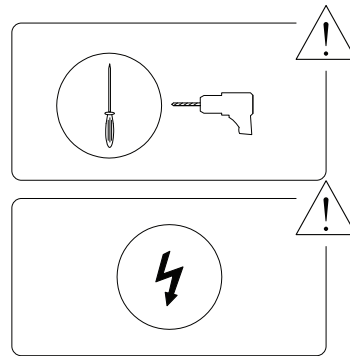
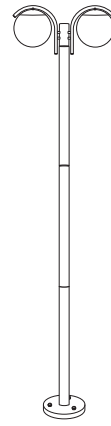
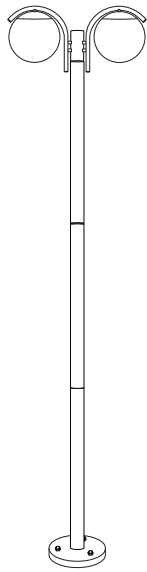


# KULSI



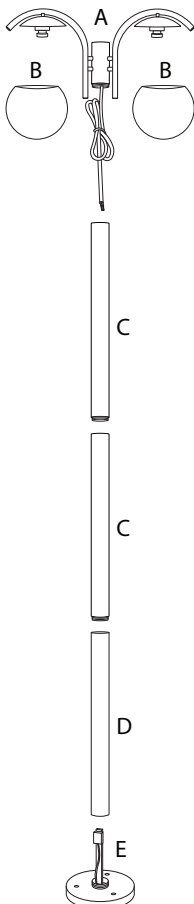
40'

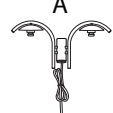



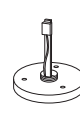



1

1/5

2332/KULSI/050724/



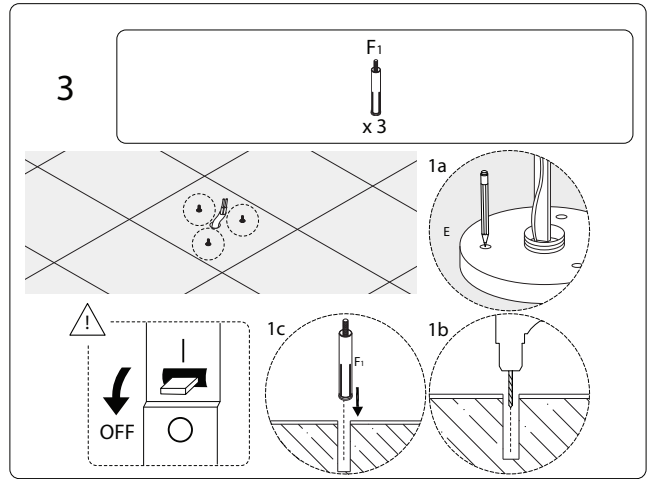
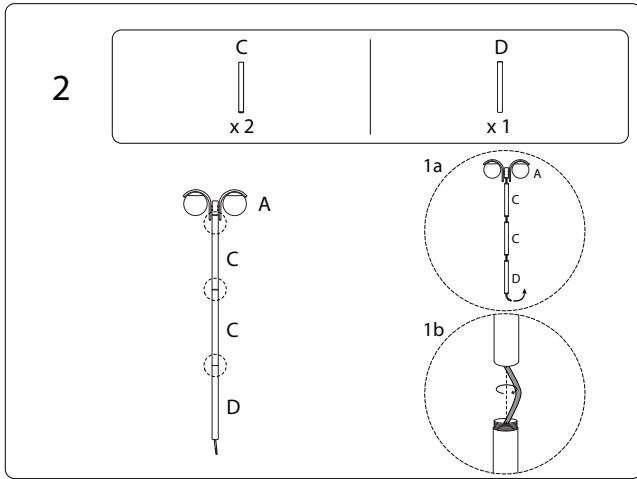
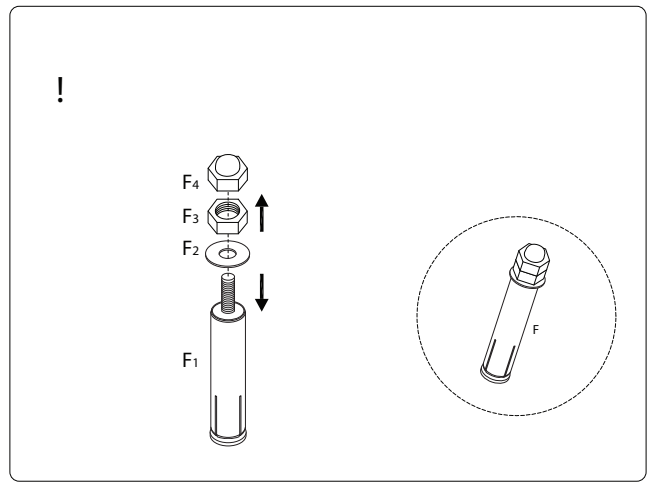
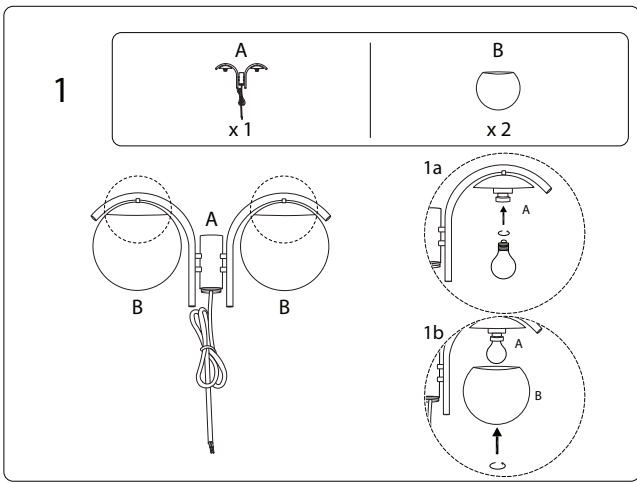
|  |   |   |
|--|---|---|
| <br>A<br>x 1 | <br>B<br>x 2 | <br>C<br>x 2 |
| <br>D<br>x 1  | <br>E<br>x 1 | <br>F<br>x 3 |

2/5

2332/KULSI/050724/

3/5

2332/KULSI/050724/

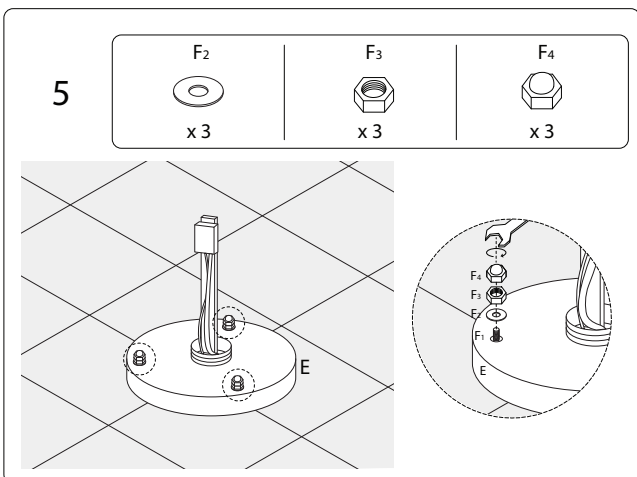
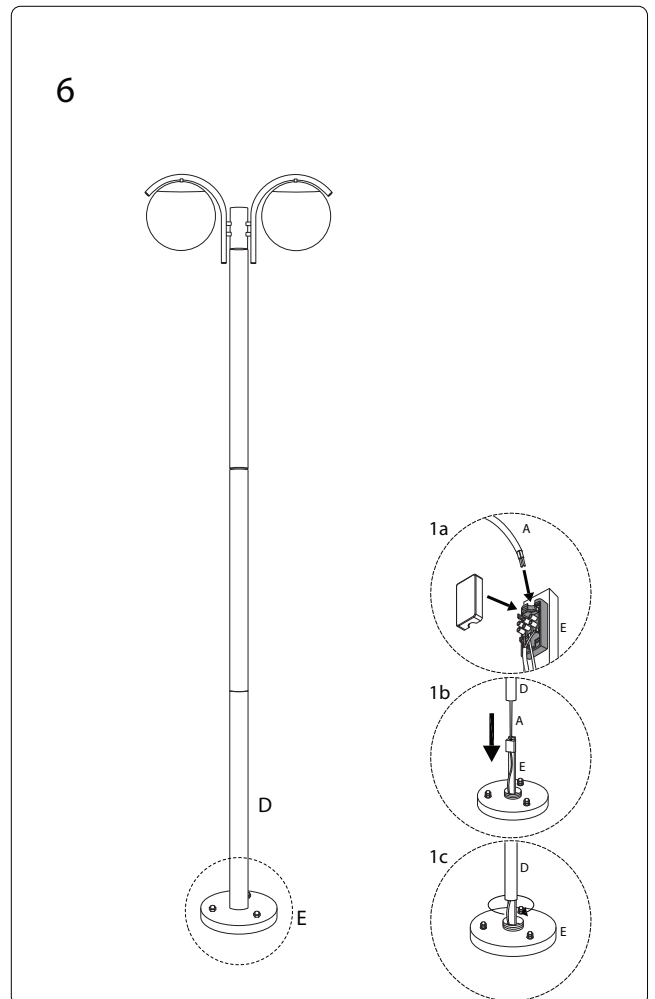
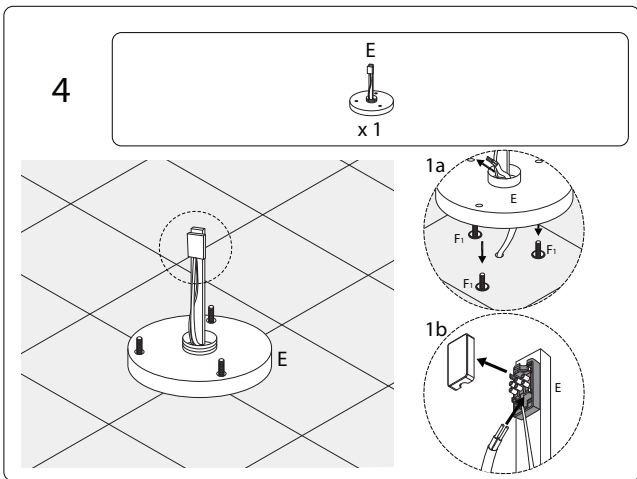


4/5

2332/KUL5I(250724/

5/5

2332/KUL5I(250724/



6/7

2332/KUL5I(250724/

7/7

2332/KUL5I(250724/