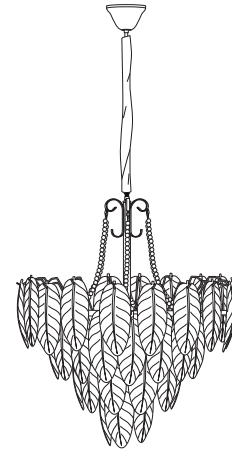
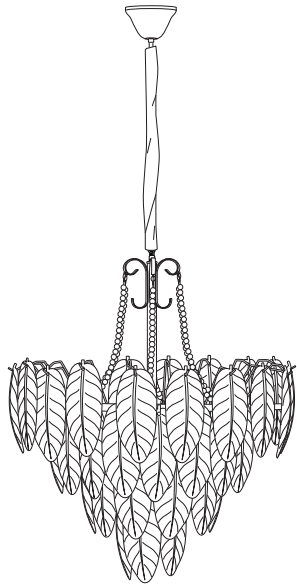


YAUCA

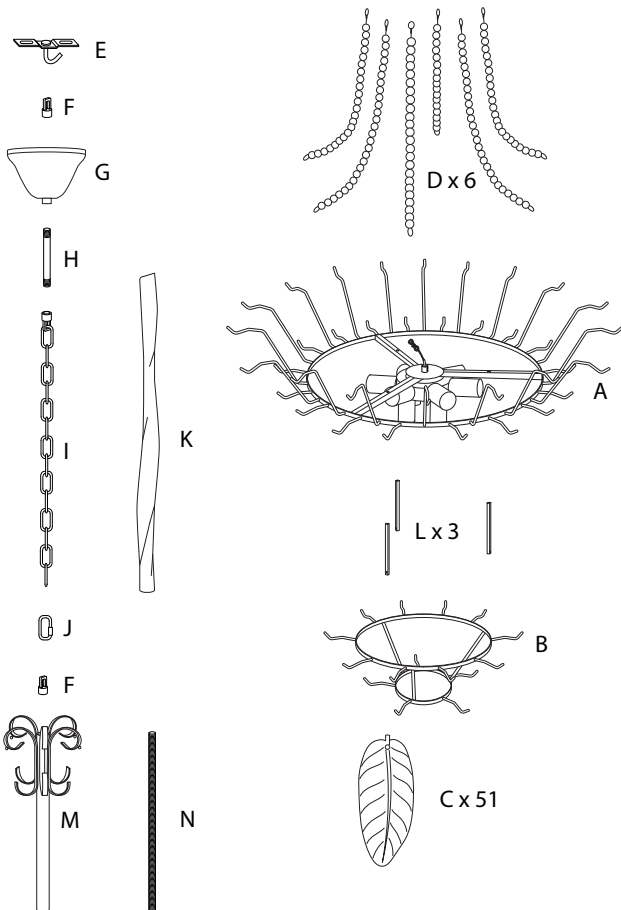


60'

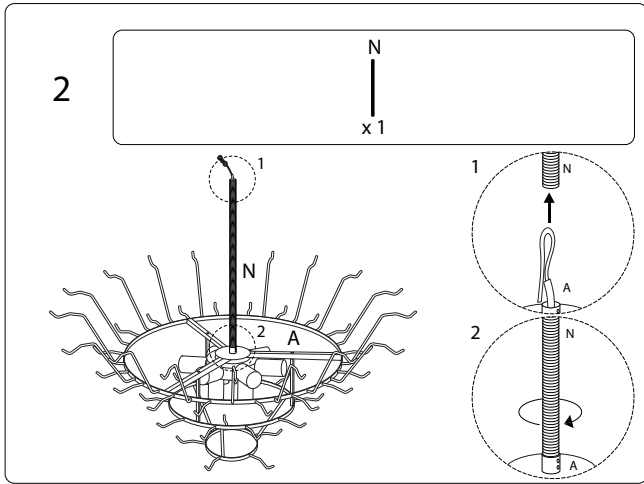
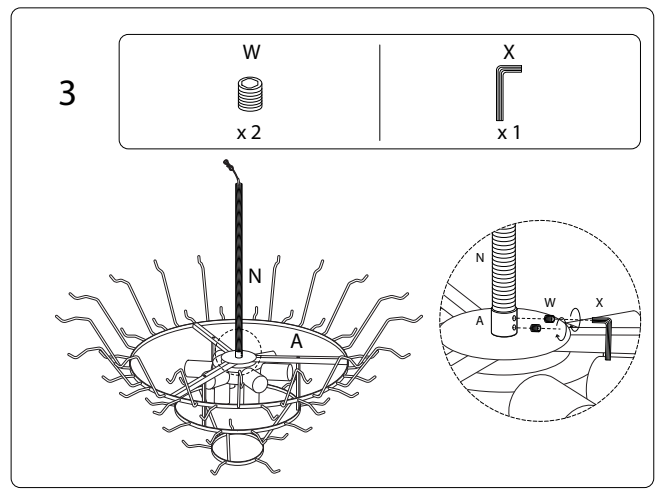
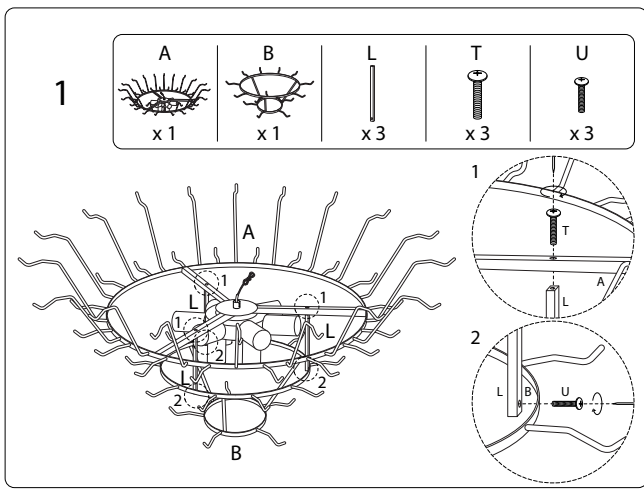
2 1

1/9

2613/YAUCA/250725/

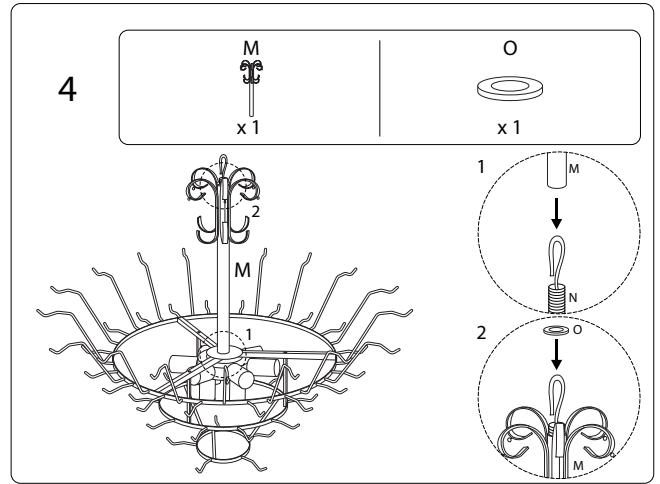


| | | | |
|---------------------|---------------------|----------------------|---------------------|
| A x 1 | B x 1 | C x 51 | D x 6 |
| E x 1 | F x 2 | G x 1 | H x 1 |
| I x 1 | J x 1 | K x 1 | L x 3 |
| M x 1 | N x 1 | O x 1 | P x 2 |
| R x 4 | S x 1 | T x 3 | U x 3 |
| W x 2 | X x 1 | | |



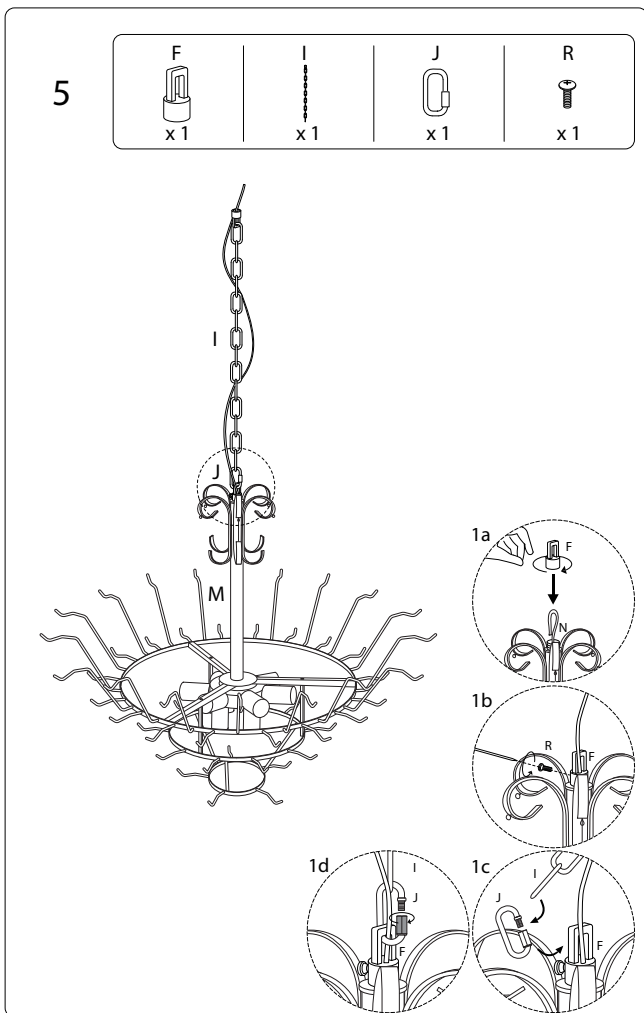
4/9

2613/FAUCA/250725/



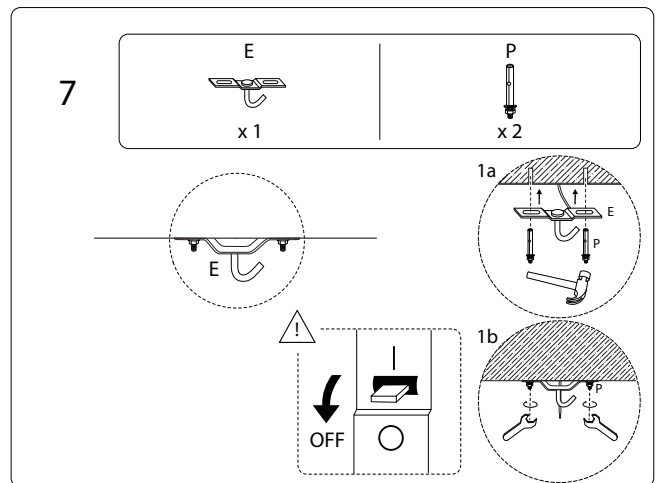
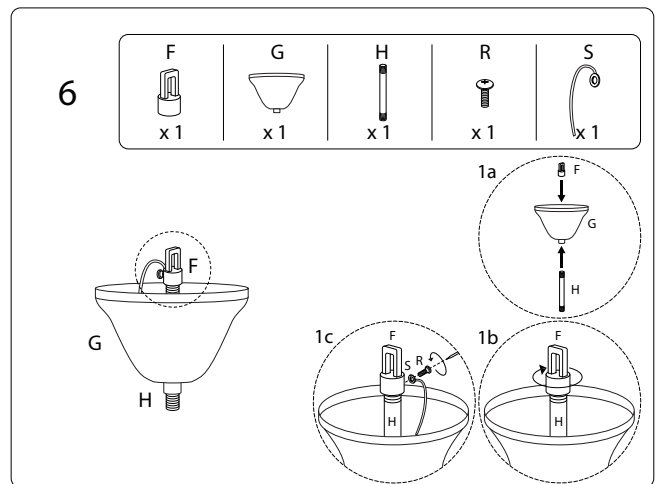
5/9

2613/FAUCA/250725/



6/9

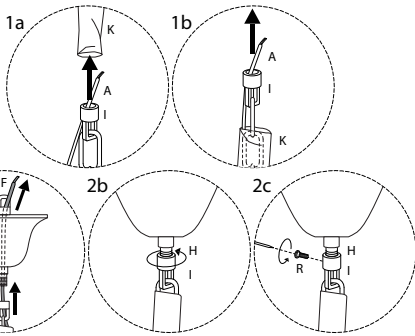
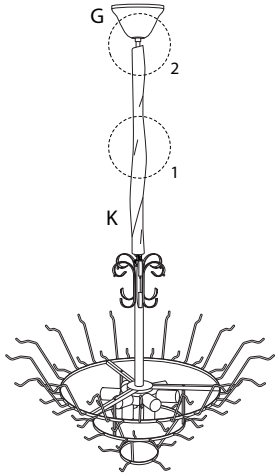
2613/FAUCA/250725/



7/9

2613/FAUCA/250725/

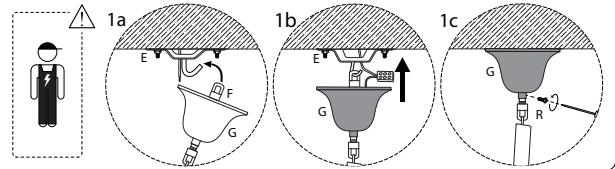
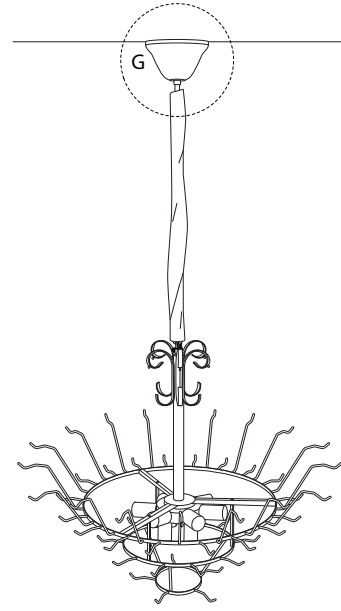
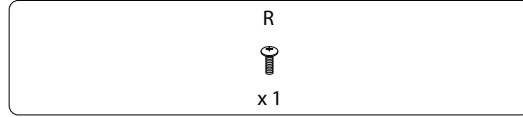
8



6/9

2613/YAUCA/250725/

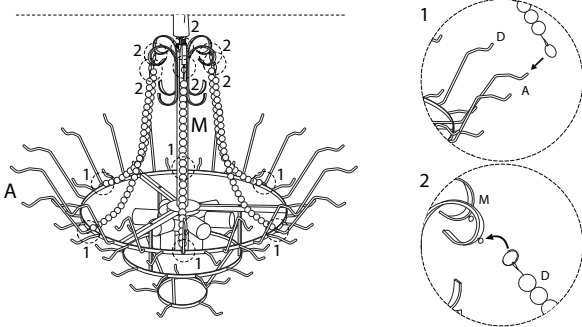
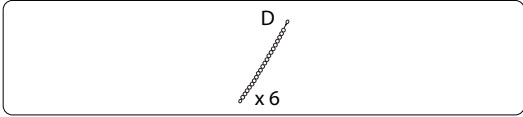
9



7/9

2613/YAUCA/250725/

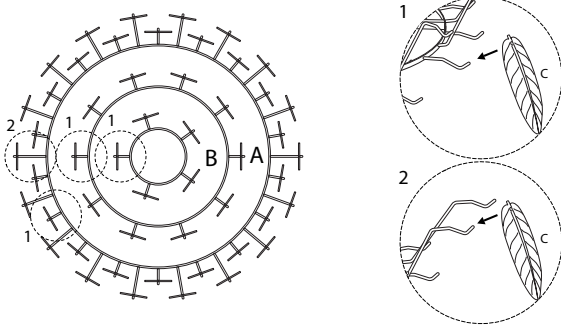
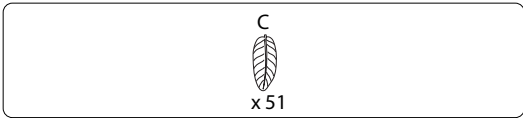
10



8/9

2613/YAUCA/250725/

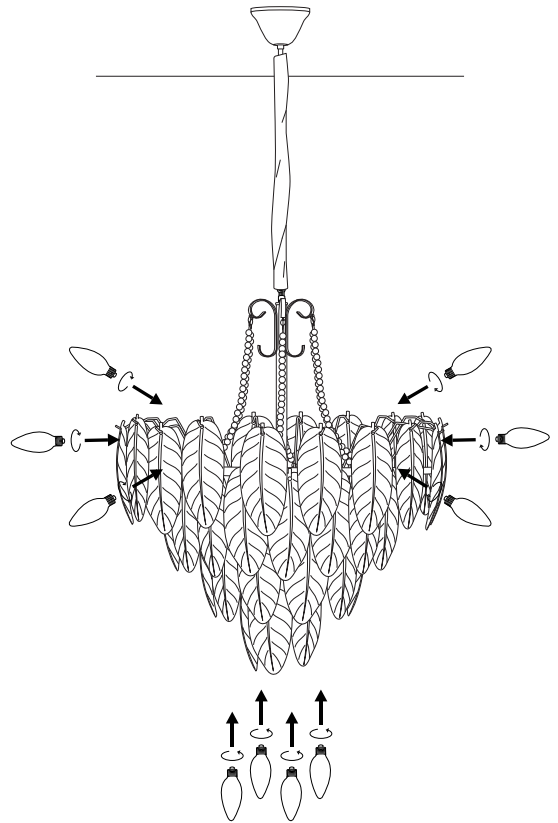
11



8/9

2613/YAUCA/250725/

12



9/9

2613/YAUCA/250725/