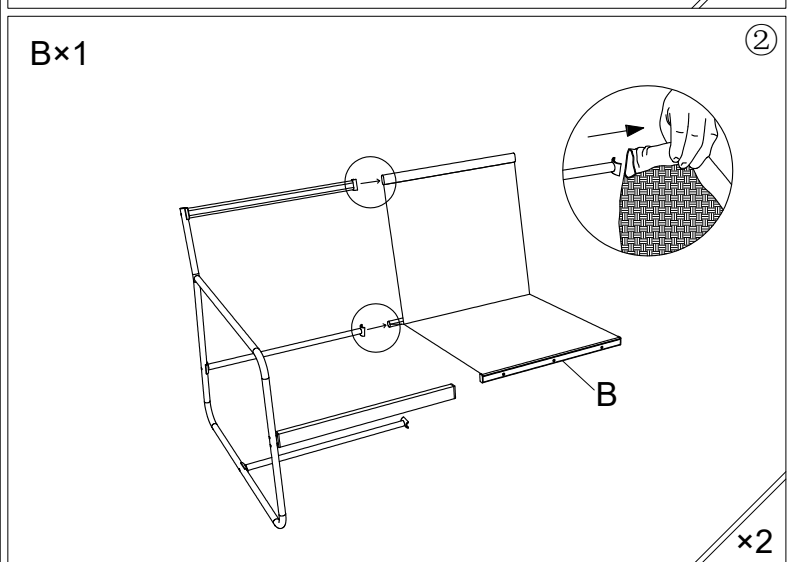
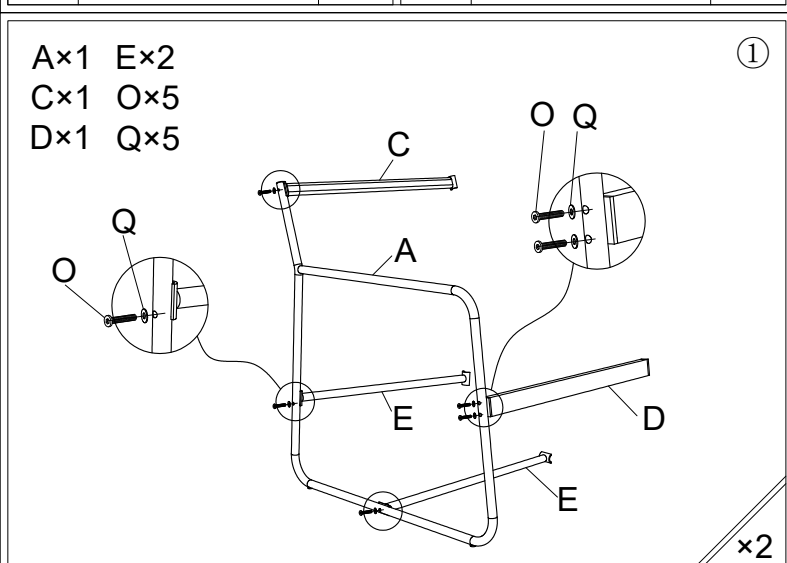
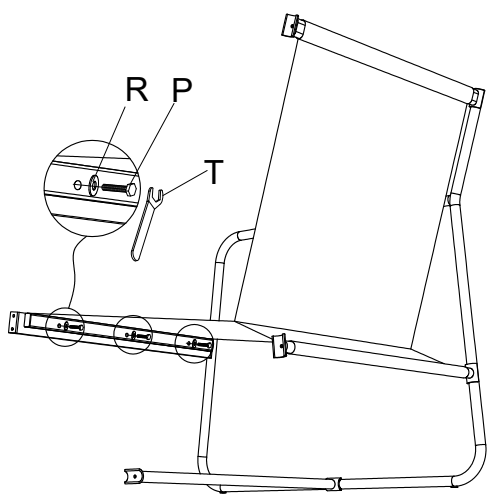


A		6PCS	F		1PC
B		2PCS	G		1PC
C		2PCS	H		1PC
D		2PCS	I		2PCS
E		4PCS	J		1PC

K		4PCS	R		10PCS
L		1PC	S		1PC
M		4PCS	T		1PC
N		24PCS	U		20PCS
O		30PCS	V		4PCS
P		10PCS	W		4PCS
Q		54PCS			



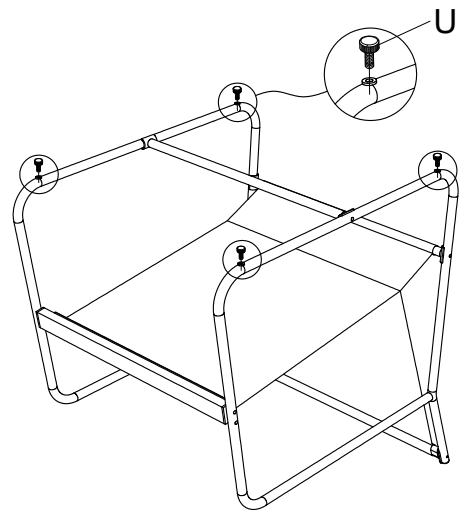
Px3  
Rx3



x2

③

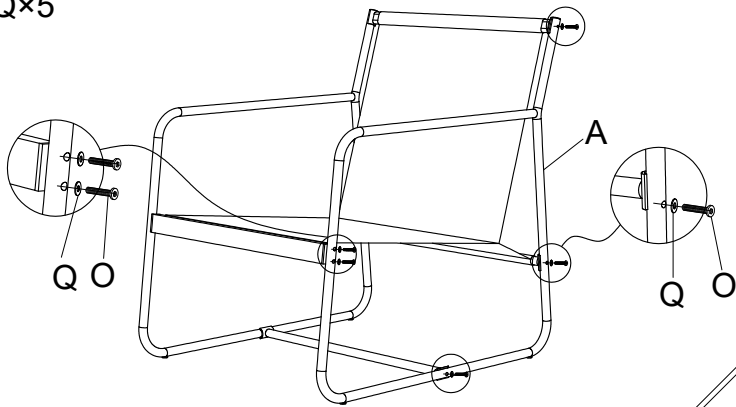
Ux4



x2

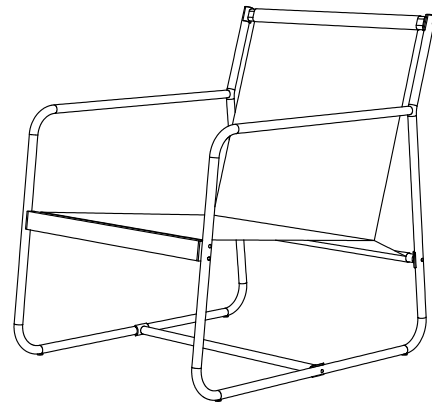
⑤

Ax1  
Ox5  
Qx5



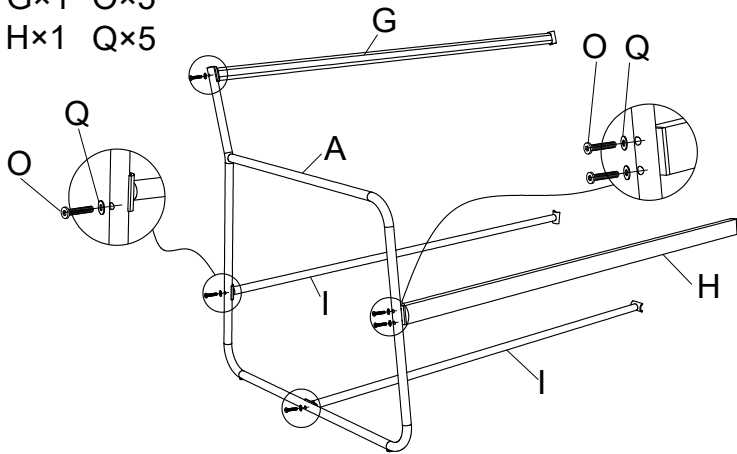
x2

④



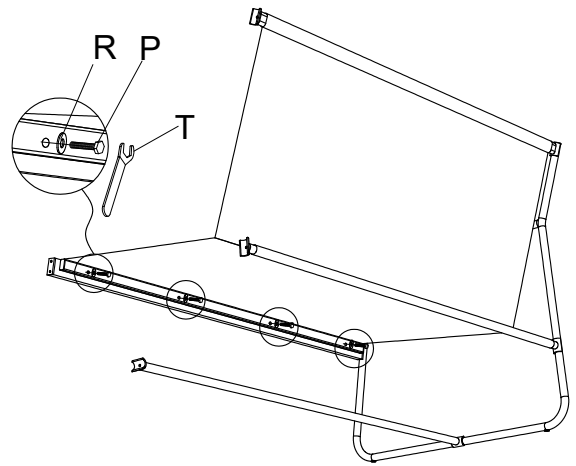
x2

Ax1 Ix2  
Gx1 Ox5  
Hx1 Qx5



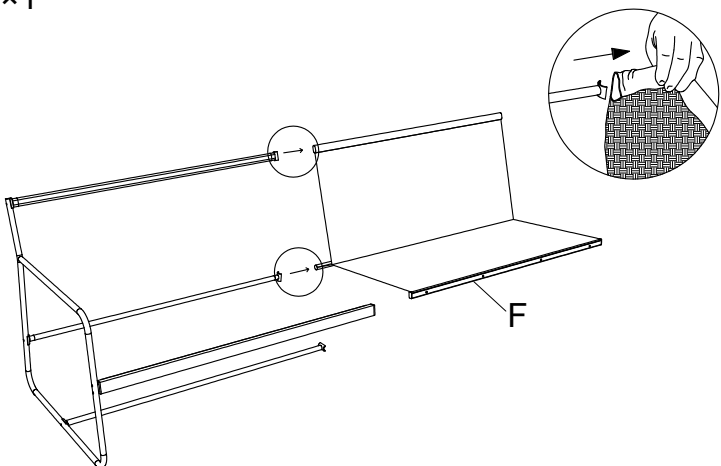
①

Px4  
Rx4



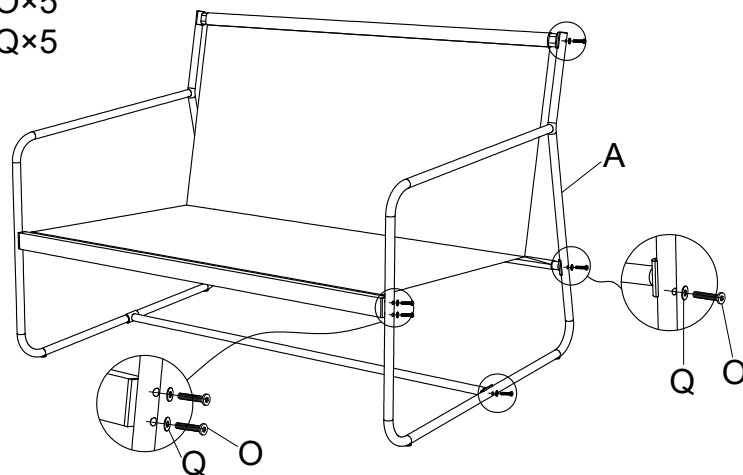
③

Fx1



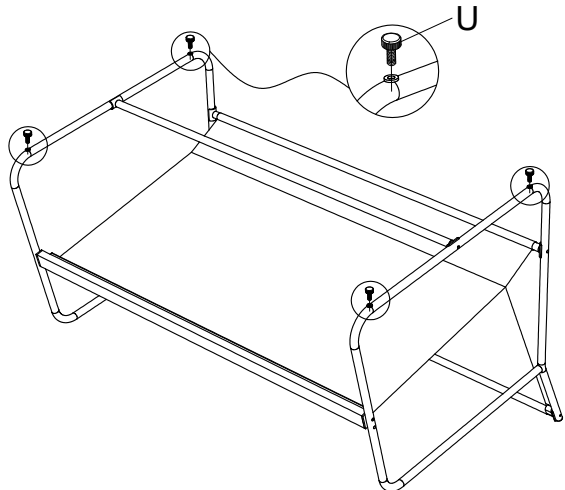
②

Ax1  
Ox5  
Qx5



④

U×4



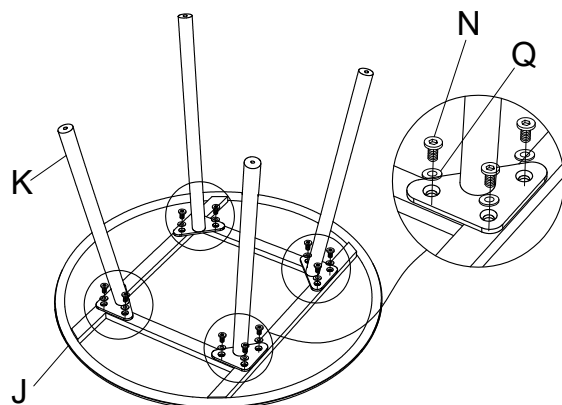
⑤

J×1 Q×12

K×4

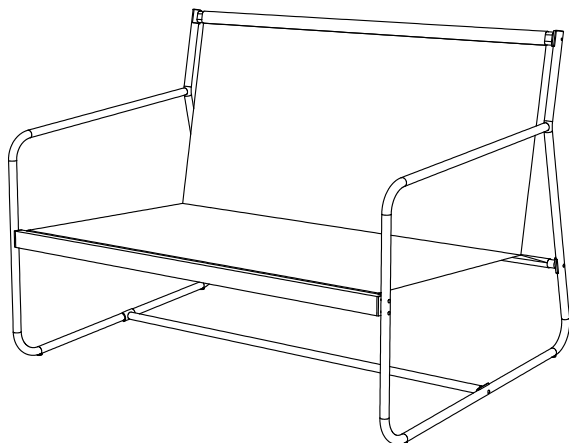
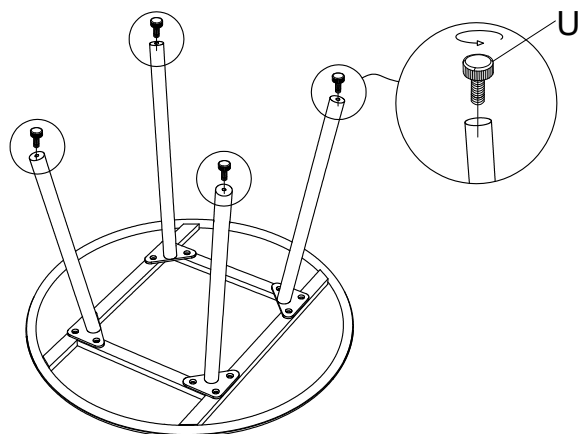
N×12

①



U×4

②

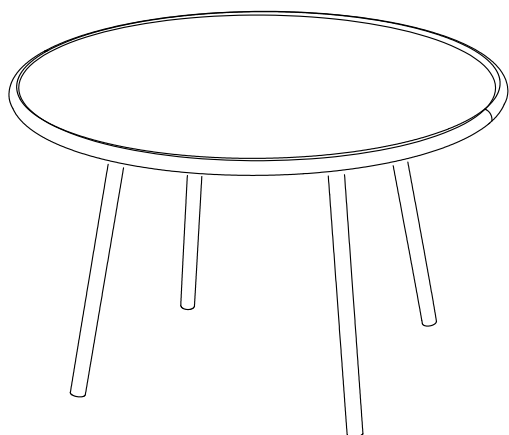
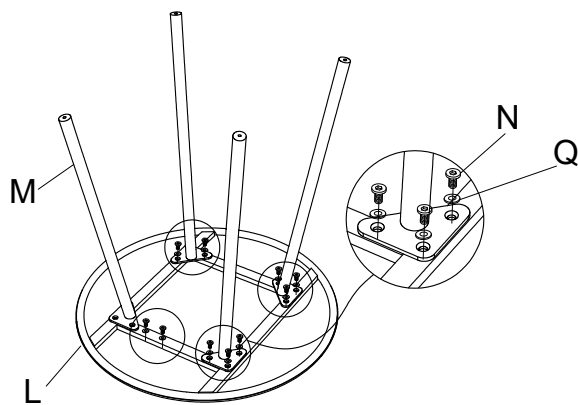


L×1 Q×12

M×4

N×12

①



U×4

②

