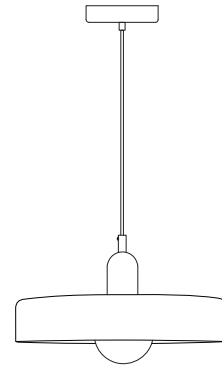
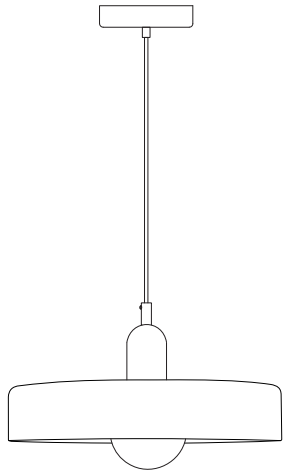
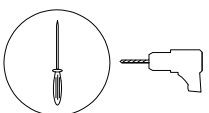
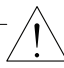






PAALA





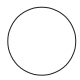


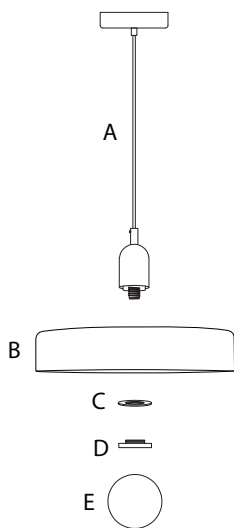











1/6

2616/PAALA/100625/

 x 1	 x 1	 x 1	 x 1	 x 1
--	--	--	--	--




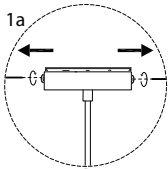
 x 2	 x 2	 x 1
--	--	--

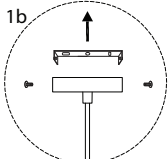
2/6


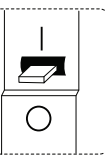
2616/PAALA/100625/

1



x 1


1a 

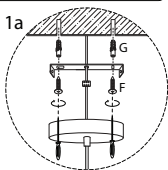
1b 

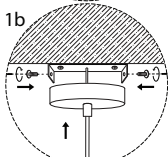
 OFF 

2


x 2

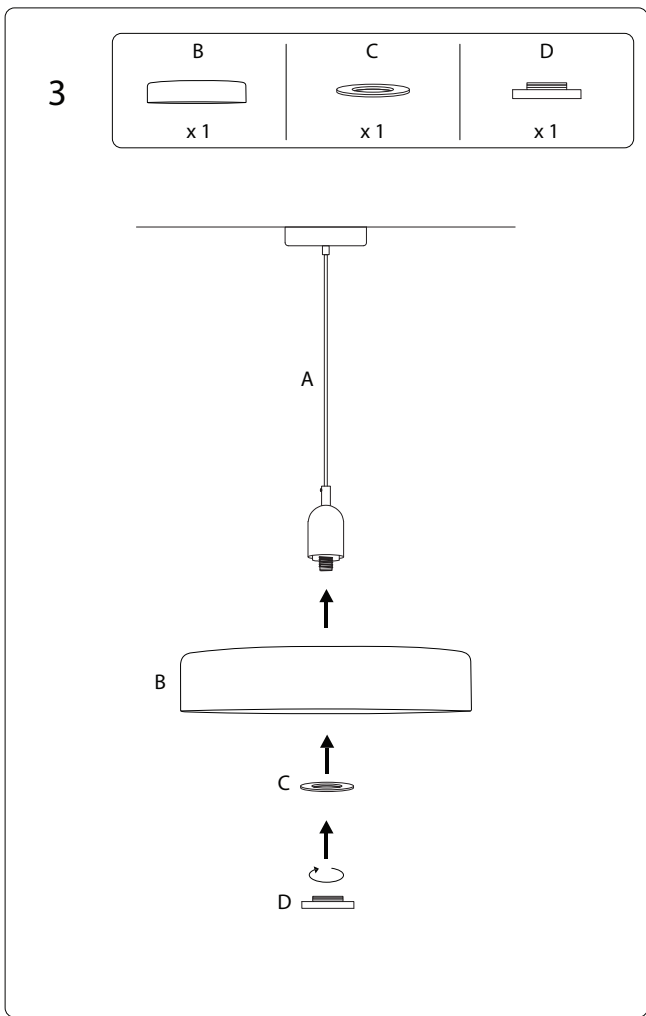

x 2

1a 

1b 

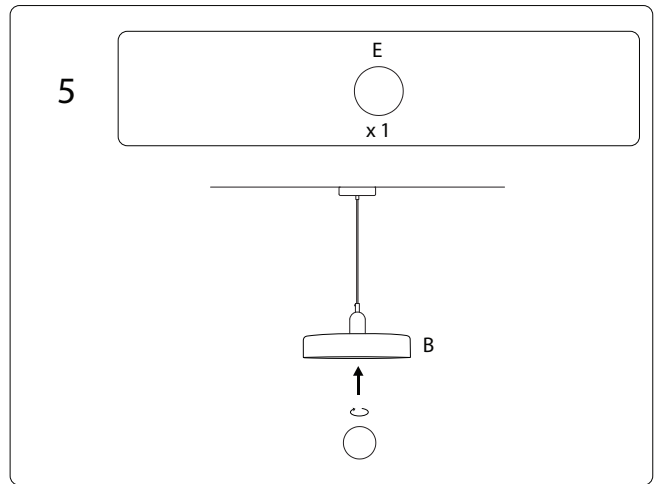
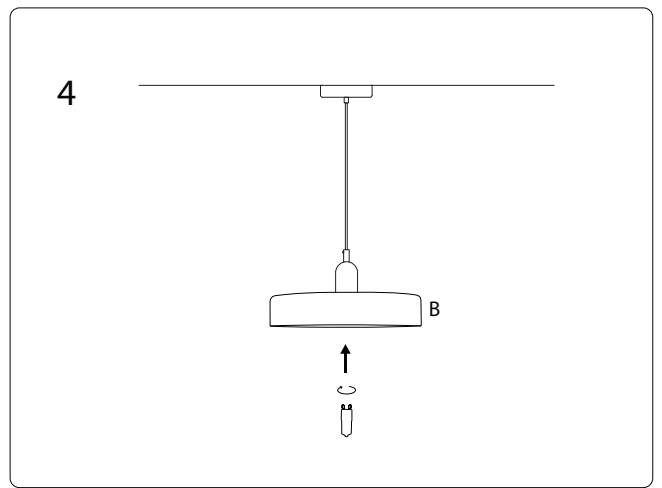
3/6

2616/PAALA/100625/



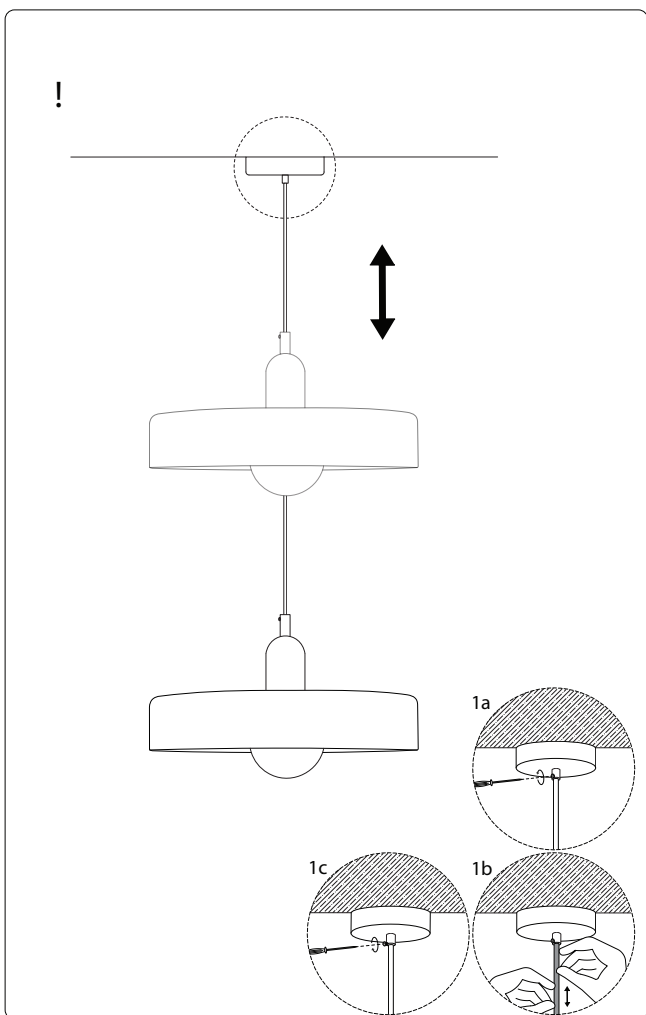
4/6

2616/PALALA/100625/



5/6

2616/PALALA/100625/



6/6

2616/PALALA/100625/