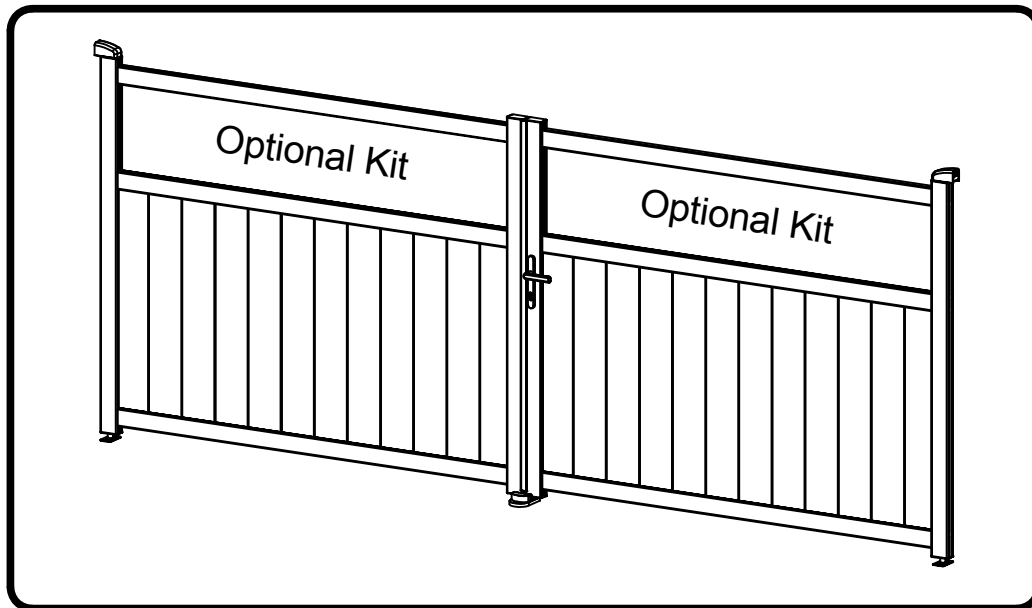


CASANOVO

DO 400B160



7-8H



x2

COM-000319 [x1]

COM-000320 [x1]

COM-000321 [x1]

COM-000*DESIGN* [x1]

*Selon modèle

FR

EN

ES

DE

IT

NL

PL

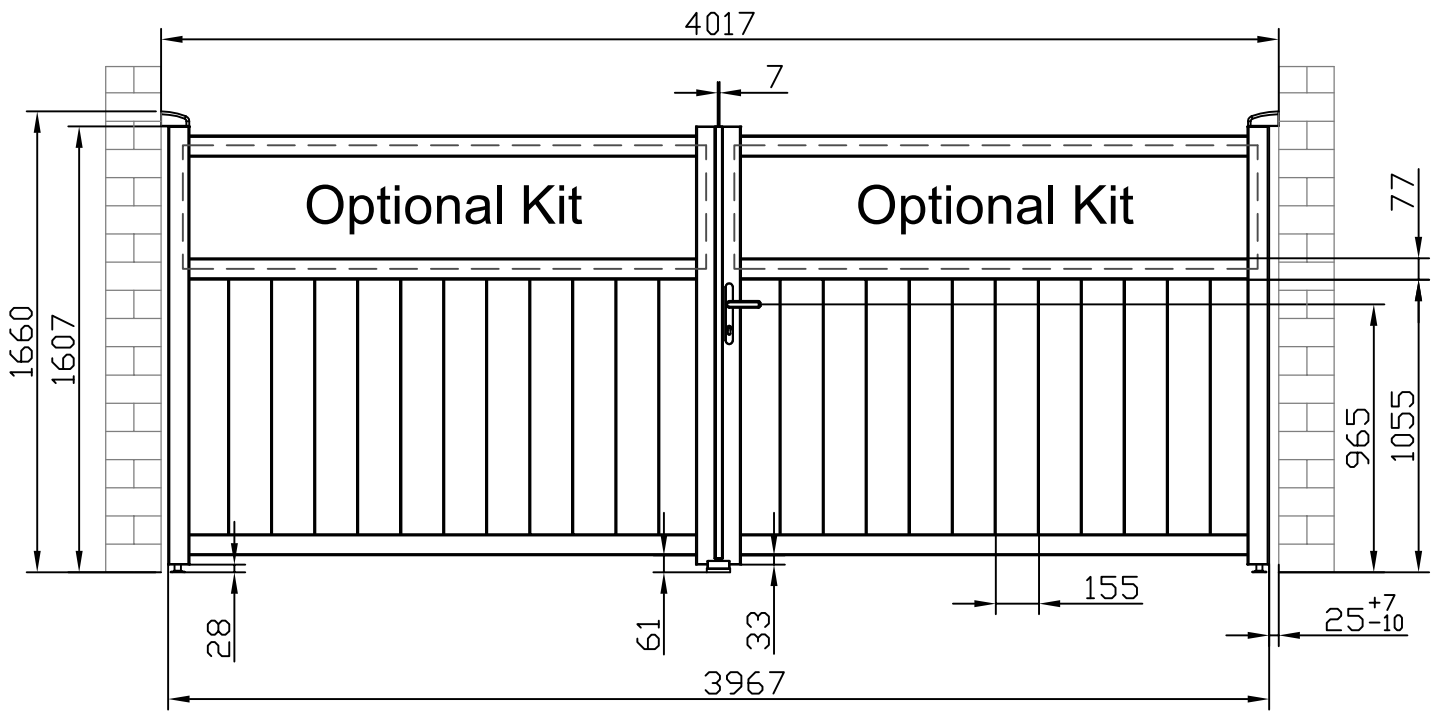
PT

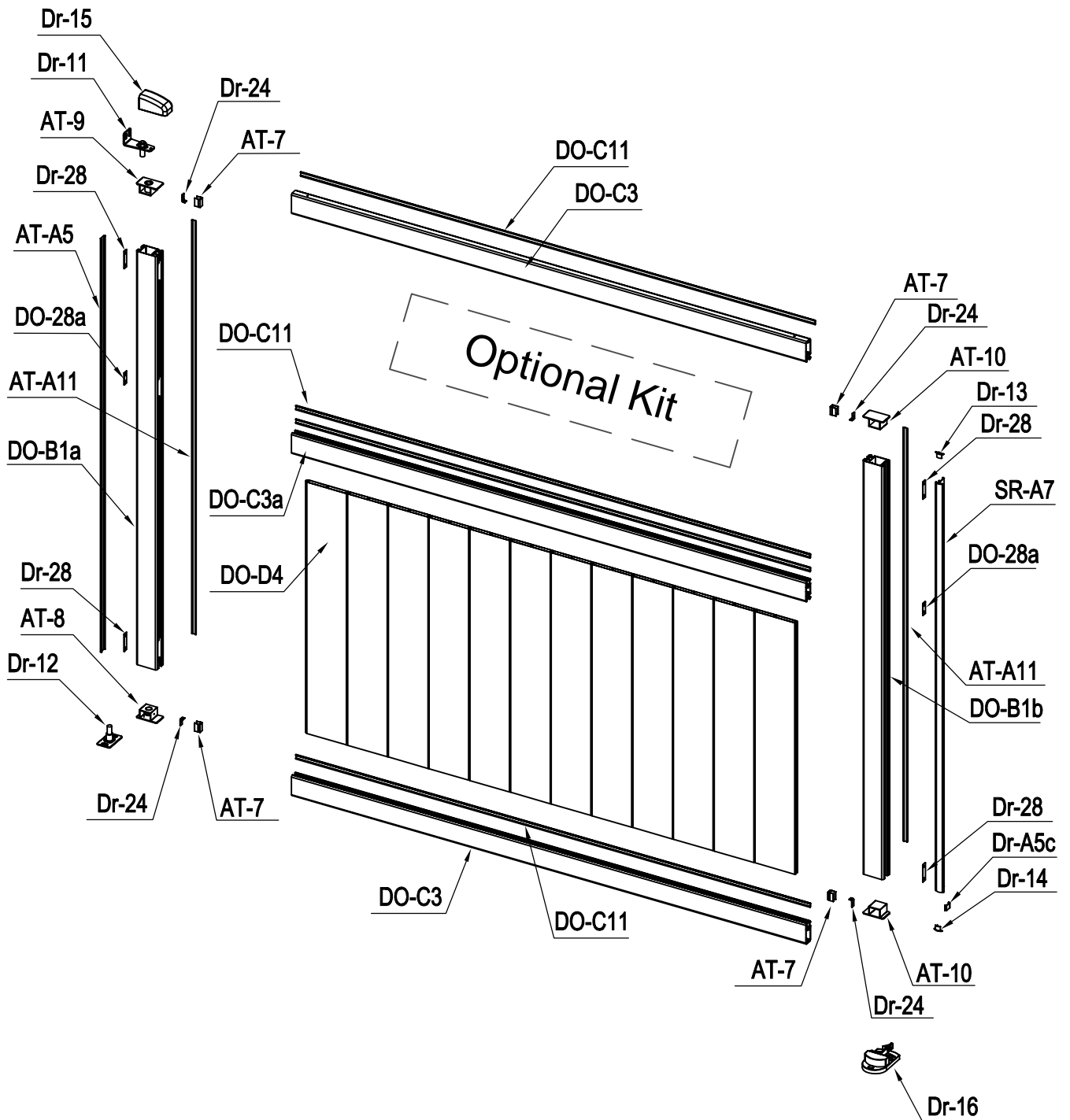
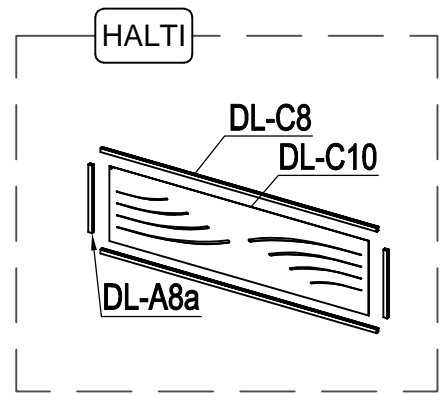
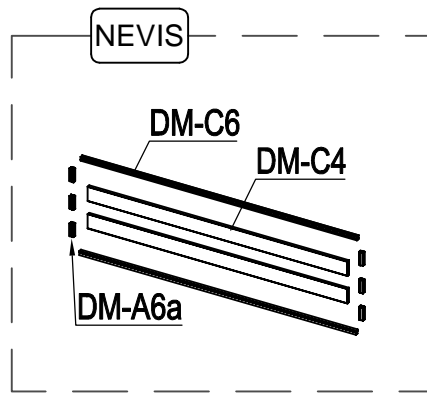
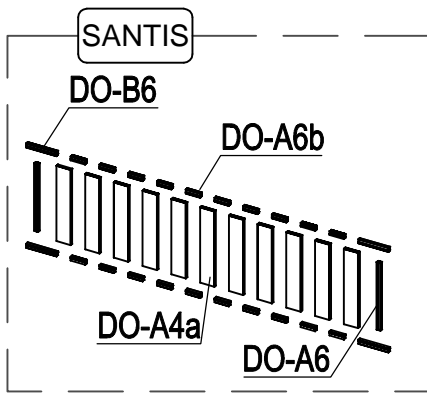
FI

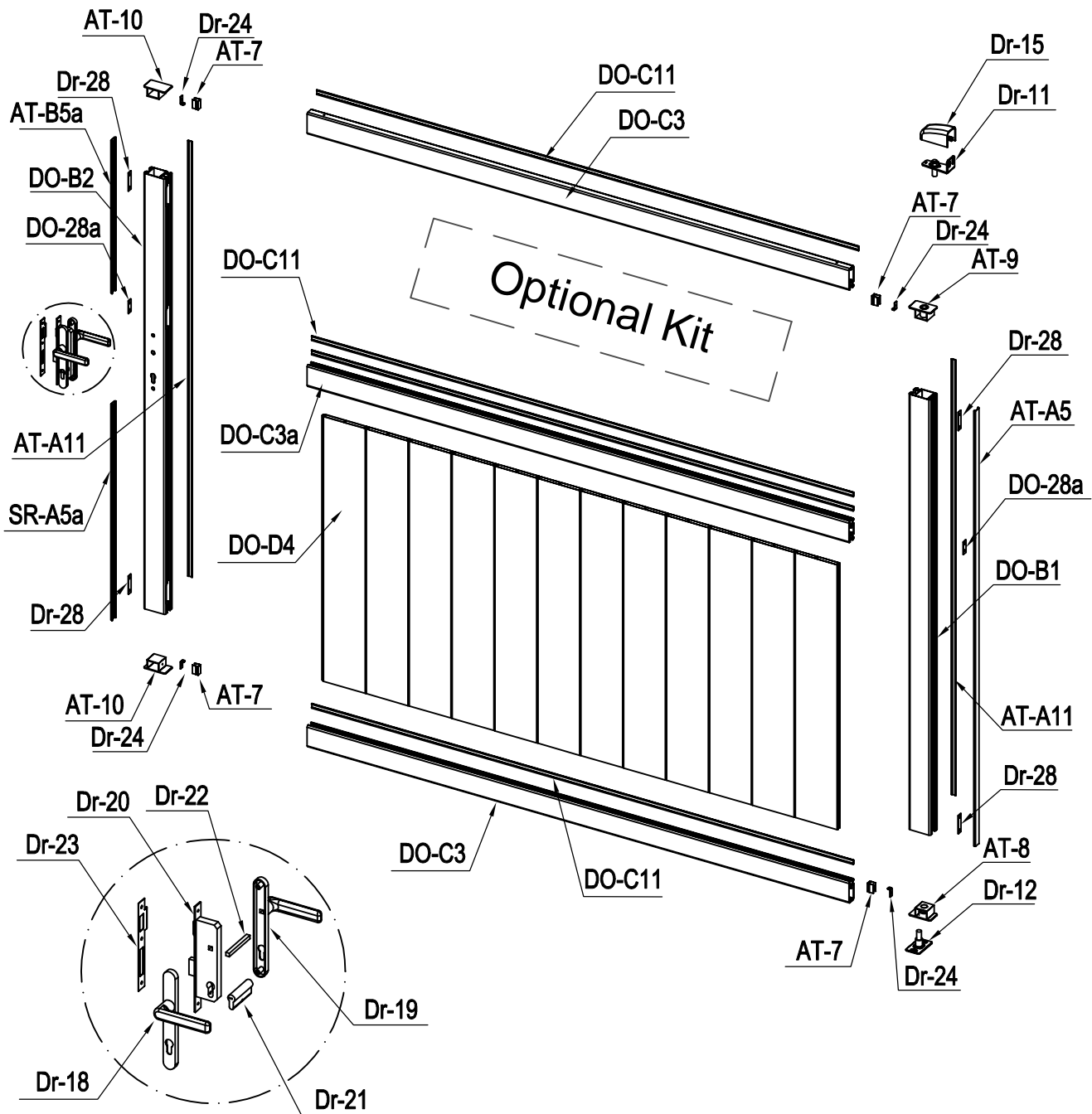
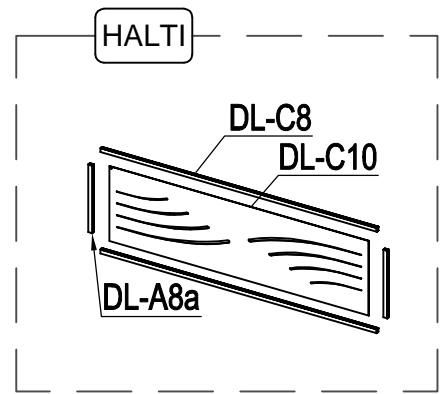
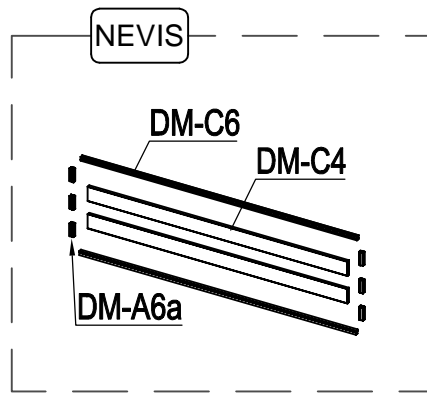
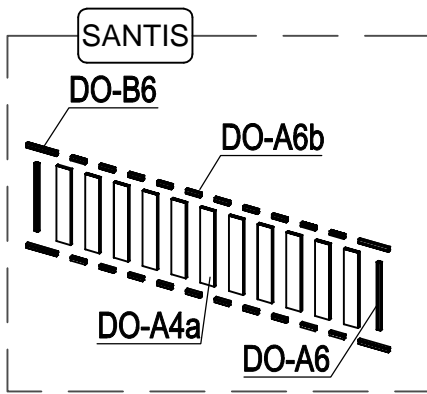
SE

DK

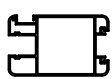




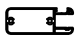



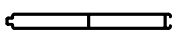

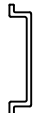



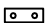
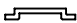




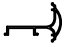

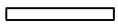






















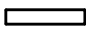





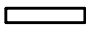
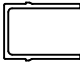





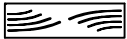


PARTS LIST

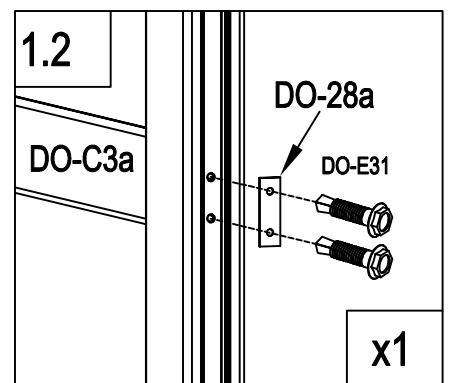
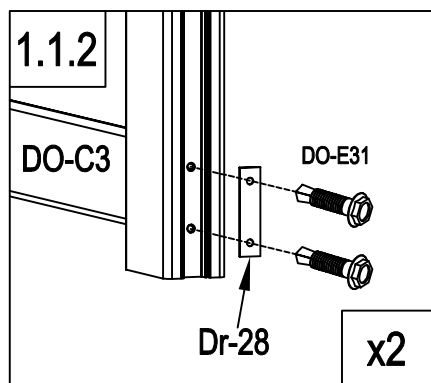
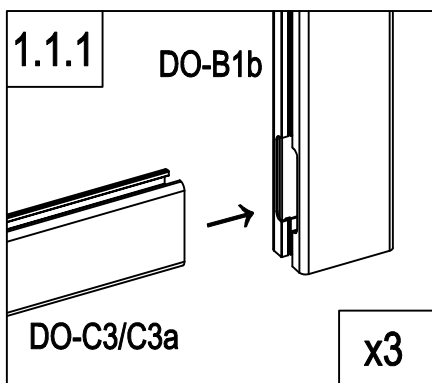
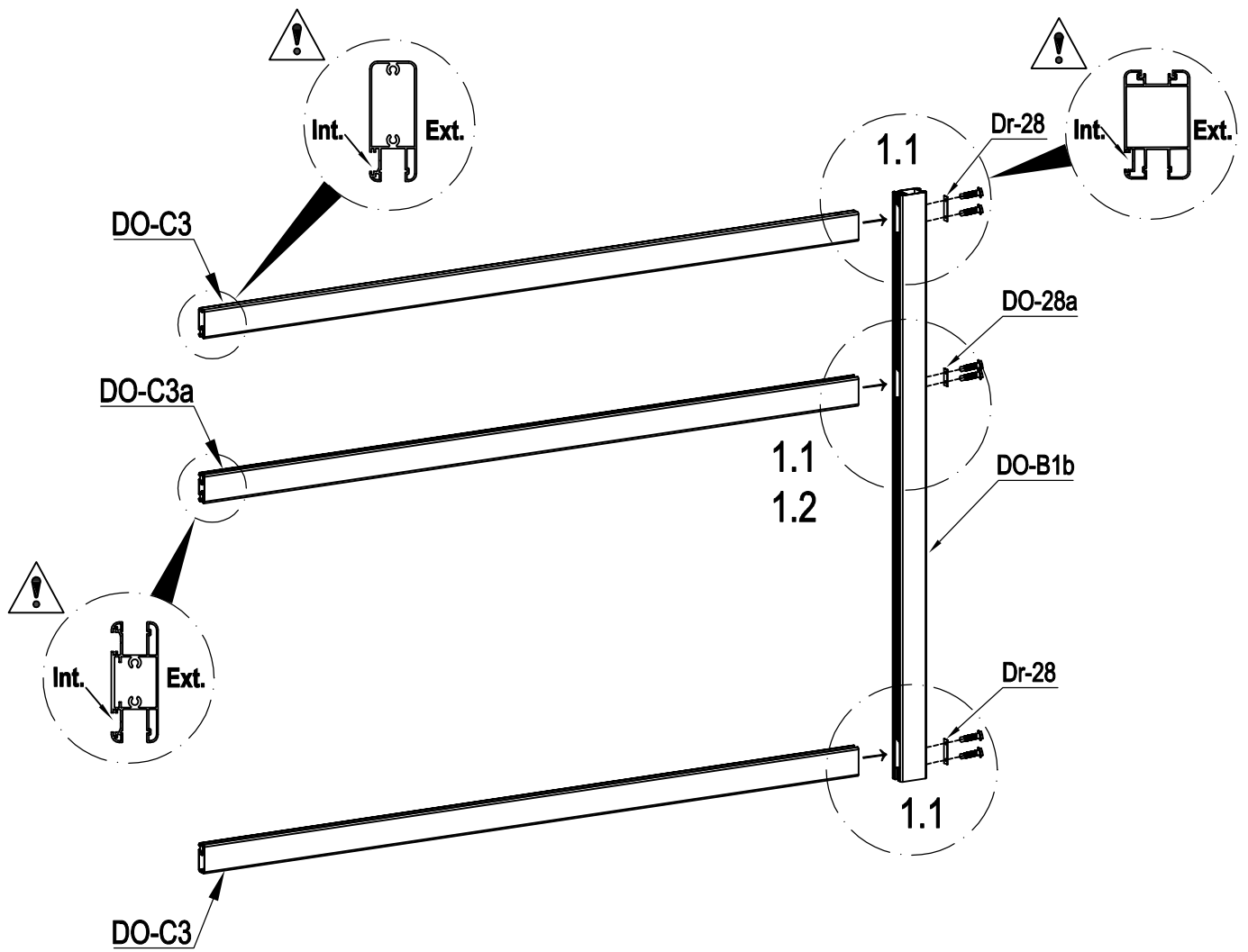
IMAGE	NO.	L.(mm)	QTY	IMAGE	NO.	L.(mm)	QTY
	DO-B1	1573	1		Dr-20		1
	DO-B1a	1573	1		Dr-21		1
	DO-B1b	1573	1		Dr-22		1
	DO-B2	1573	1		Dr-23		1
	DO-C3	1957	4		Dr-25		1
	DO-C3a	1957	2		Dr-25a		2
	DO-D4	779	24		Dr-26		3
	AT-A5	1573	2		Dr-27		2
	AT-B5a	550.5	1		Dr-24		8
	SR-A5a	782	1		Dr-28		8
	Dr-A5c	19.5	1		DO-28a		4
	AT-A11	1573	4		DO-E30		8
	DO-C11	1957	8		DO-E31		24
	AT-7	29.5	8		DO-E32		12
	SR-A7	1553	1		DO-E33		12
	DO-C15	1955	2		DO-E34		3
	AT-8		2		DO-E35		56
	AT-9		2		DO-E36		3
	AT-10		4				
	Dr-11		2				
	Dr-12		2				
	Dr-13		1				
	Dr-14		1				
	Dr-15		2				
	Dr-16		1				
	Dr-17		2				
	Dr-31		4				
	DO-30		8				
	Dr-18		1				
	Dr-19		1				

PARTS LIST (Optional Kit)

<p>Com-000352</p> 	IMAGE	NO.	L.(mm)	QTY
		DO-A4a	406	22
		DO-A6	364	4
		DO-B6	163	8
		DO-A6b	77.5	40
	DO-35		44	

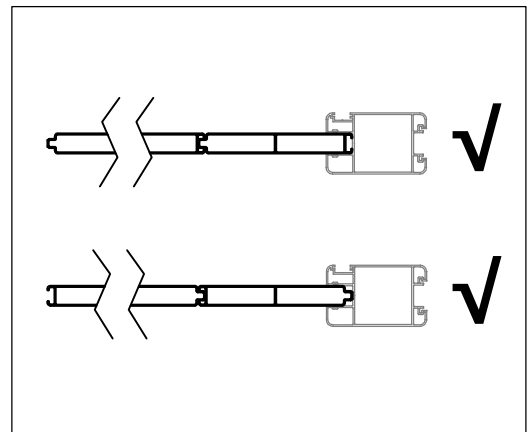
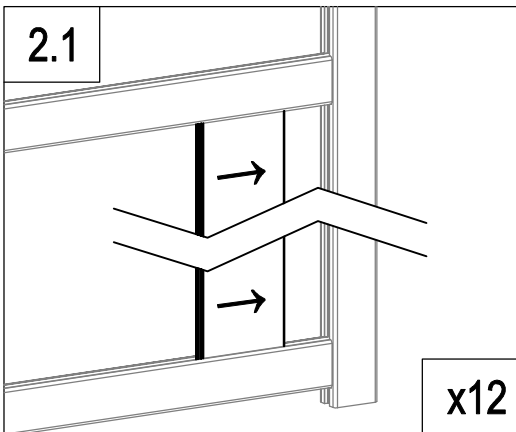
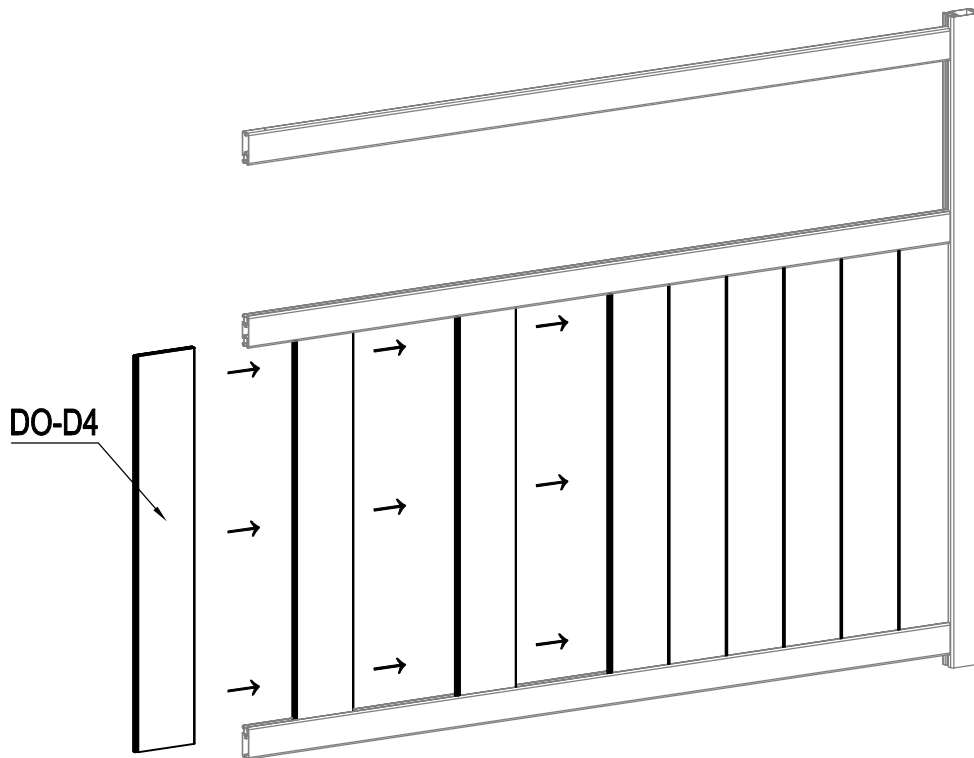
<p>Com-000355</p> 	IMAGE	NO.	L.(mm)	QTY
		DM-C4	1865	4
		DM-C6	1955	4
		DM-A6a	69	12
	DO-32		8	

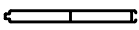
<p>Com-000358</p> 	IMAGE	NO.	L.(mm)	QTY
		DL-C8	1955	4
		DL-A8a	364	4
		DL-C10	1862	2
		DO-32		8
	DO-35		24	



	DO-B1b	1
	DO-C3	2
	DO-C3a	1

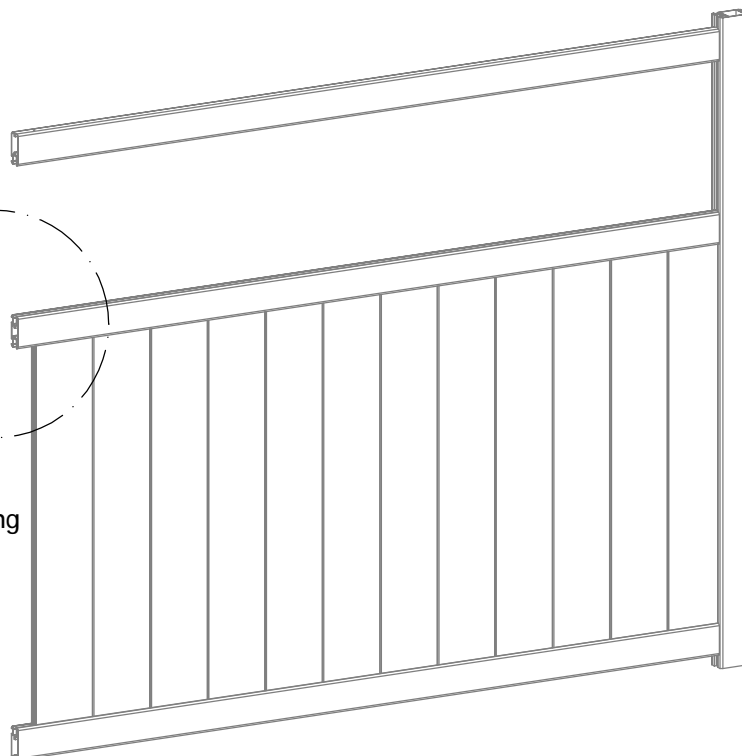
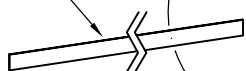
	Dr-28	2
	DO-28a	1
	DO-E31	6



	DO-D4	12
---	-------	----

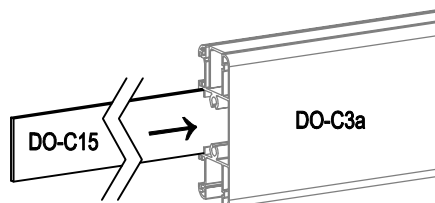
DO-C15

3.1



- EN: reinforced slat for automation
- FR : lame renforcée pour l'automatisation
- DE : verstärkte Lamelle für die Automatisierung
- ES: Lámina reforzada para la automatización
- PT: ripa reforçada para automatização
- IT: lamella rinforzata per l'automazione
- NL: versterkte lat voor automatisering
- PL: wzmocniona listwa do automatyzacji

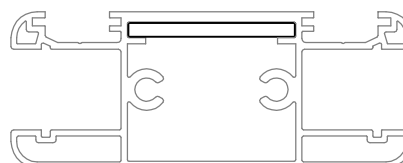
3.1



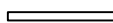
x1



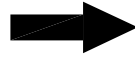
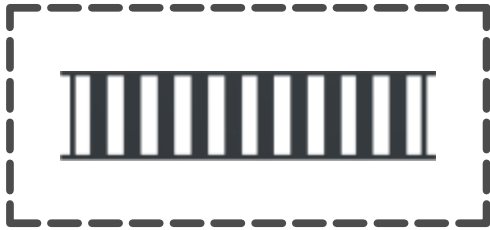
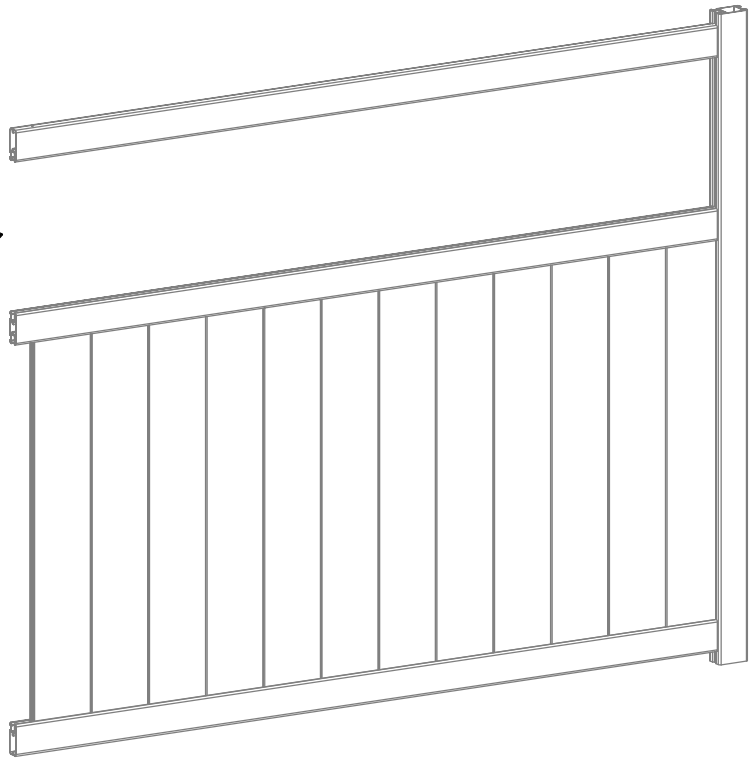
Int.



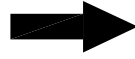
Ext.

	DO-C15	1
---	--------	---

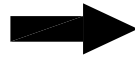
Optional Kit →



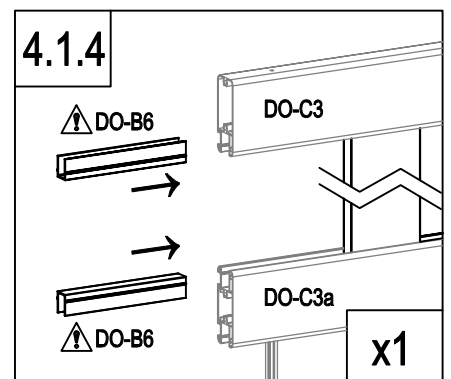
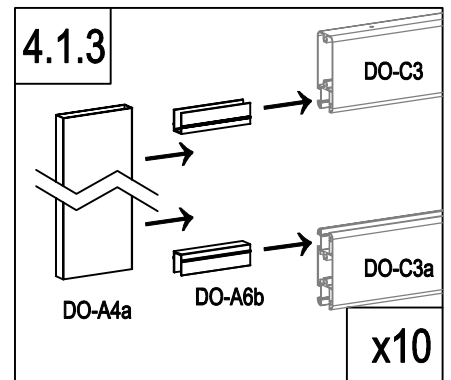
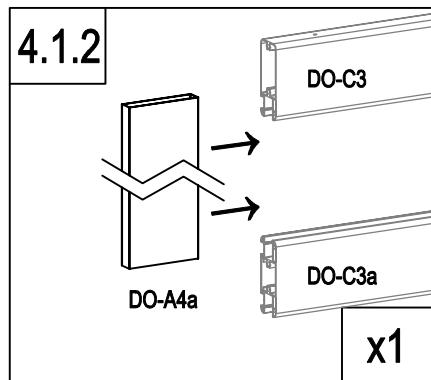
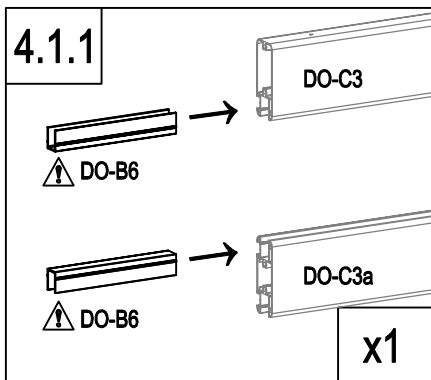
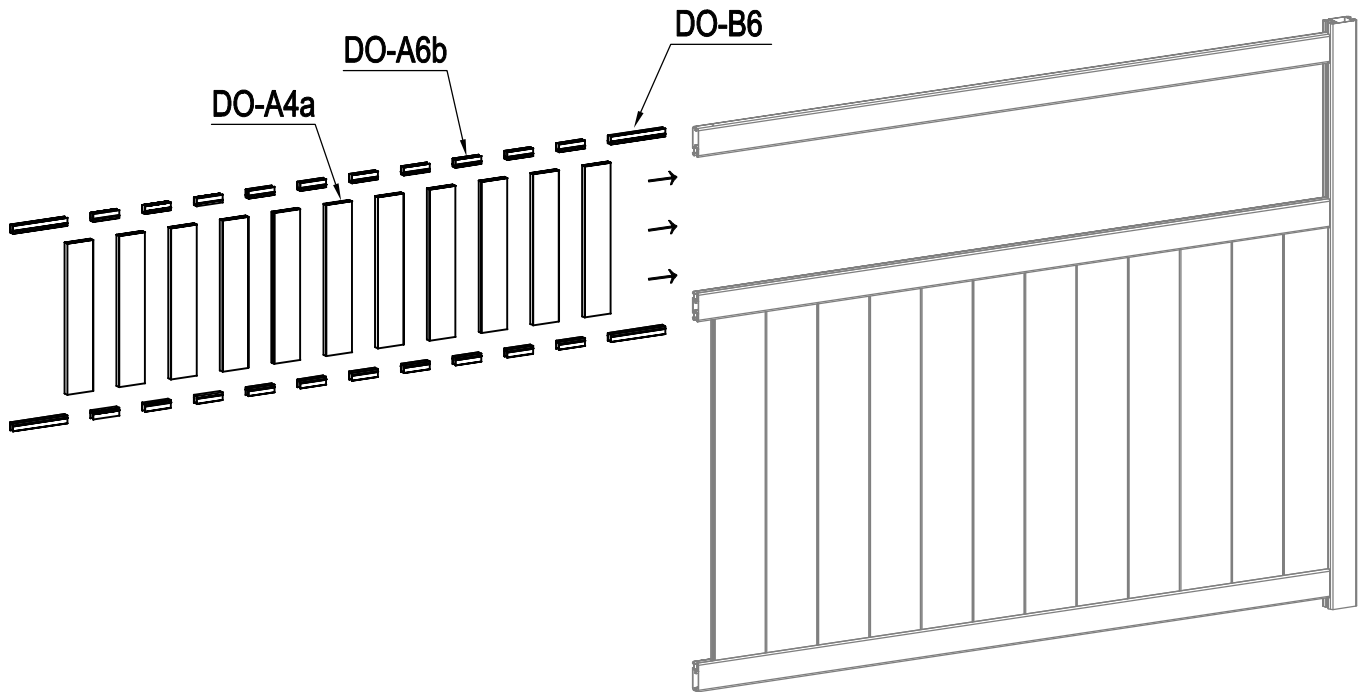
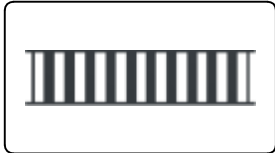
P 5~8

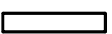
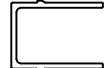


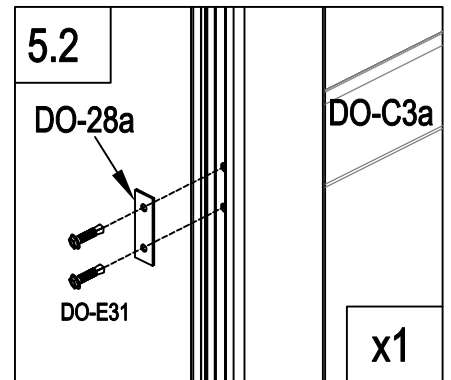
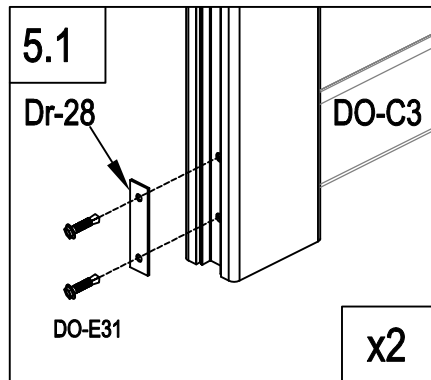
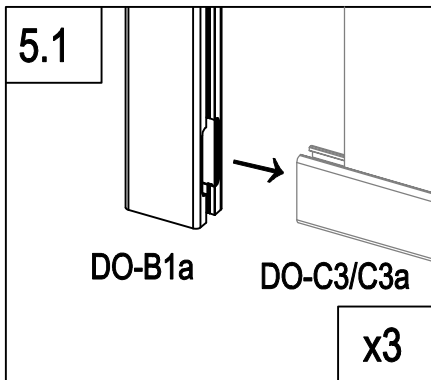
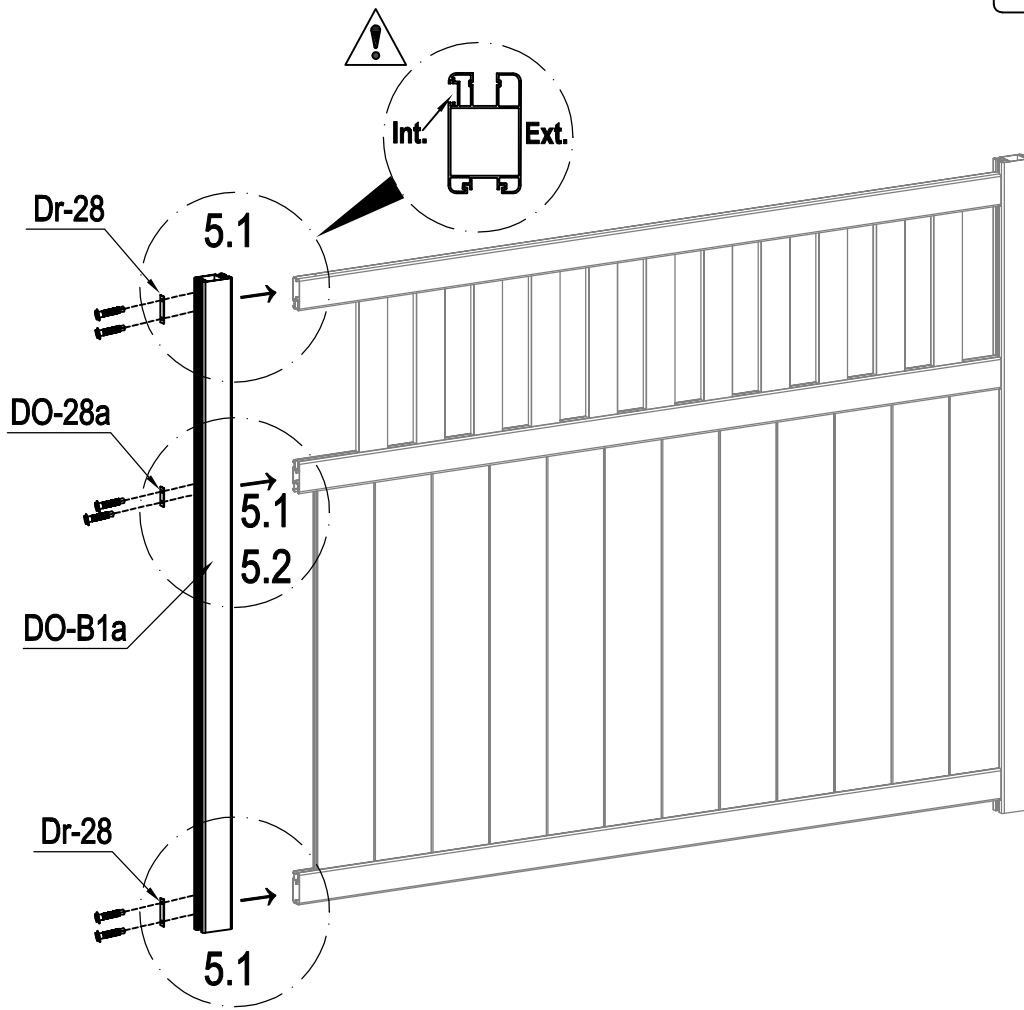
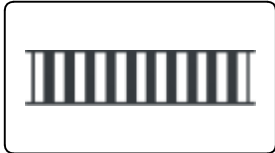
P 9~12



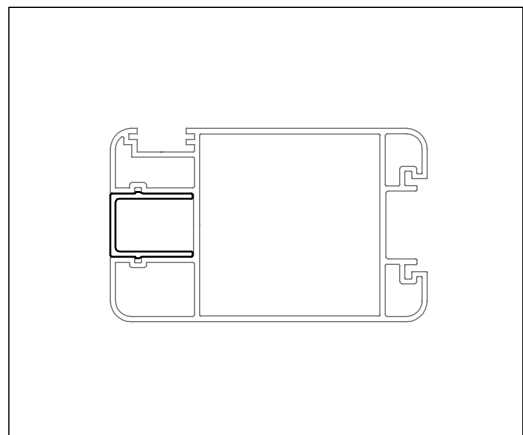
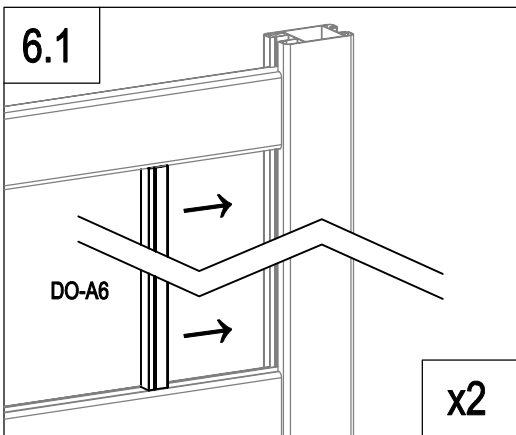
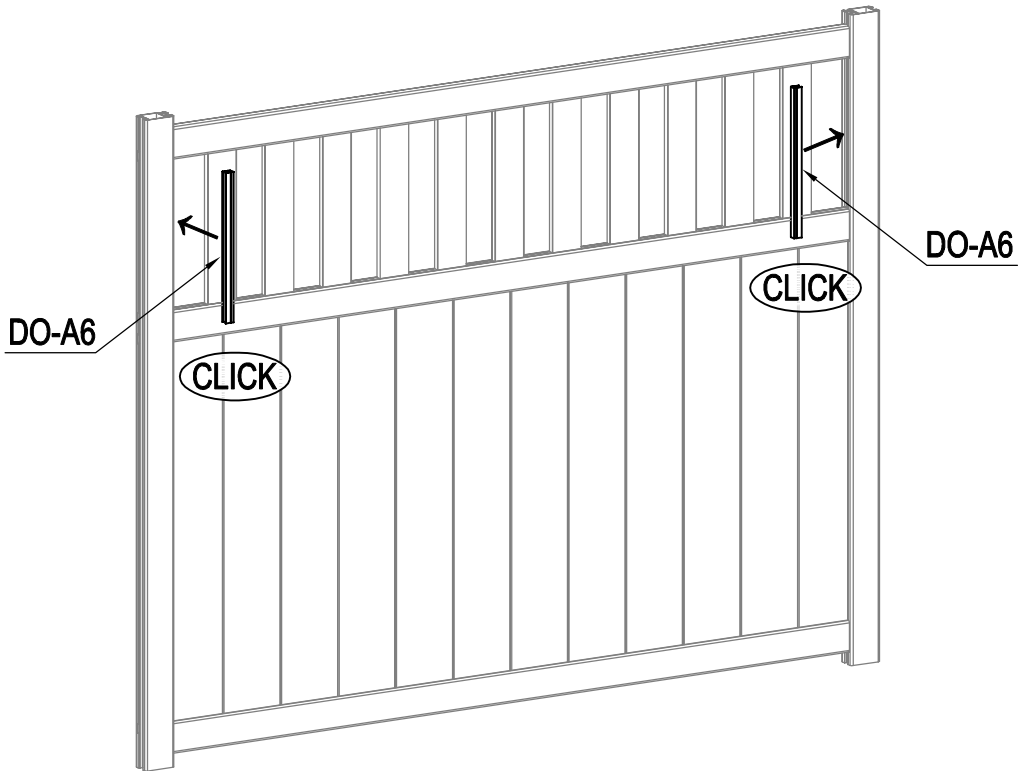
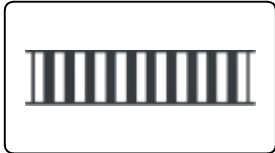
P 13~15




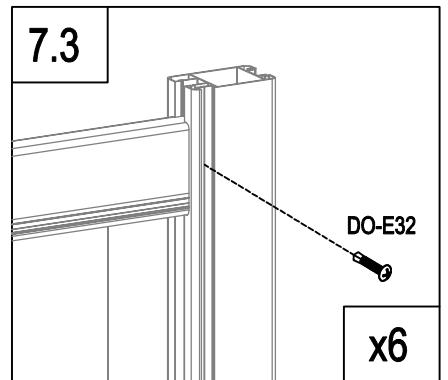
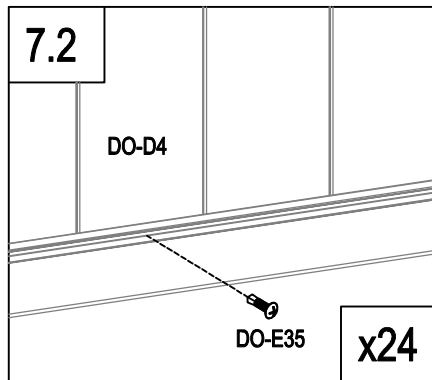
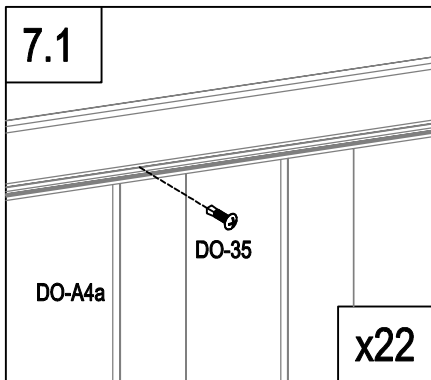
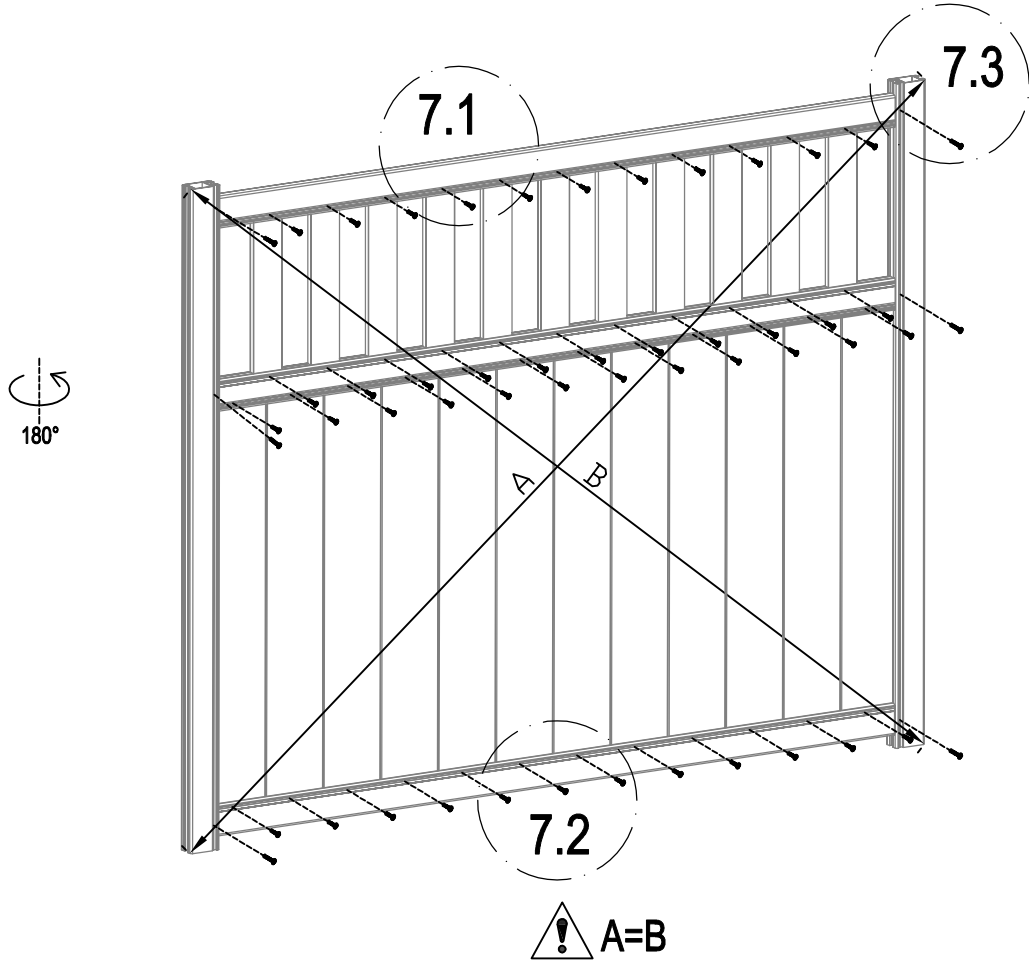
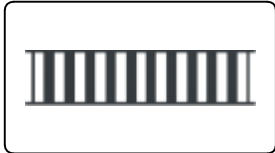
	DO-A4a	406mm	11
	DO-B6	163mm	4
	DO-A6b	77.5mm	20






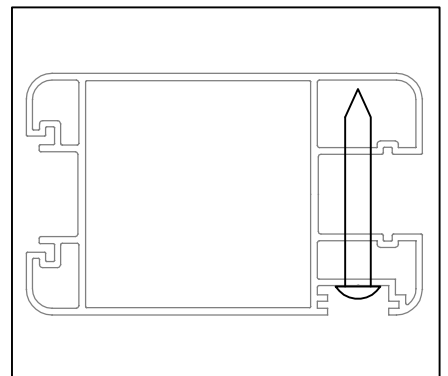
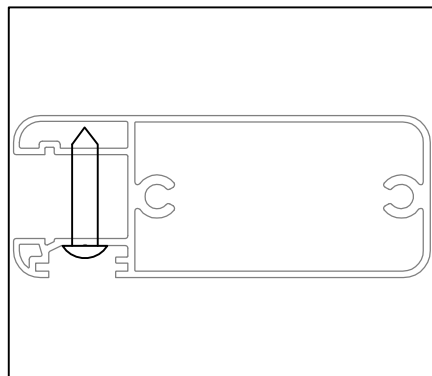
	DO-B1a	1
	Dr-28	2
	DO-28a	1
	DO-E31	6

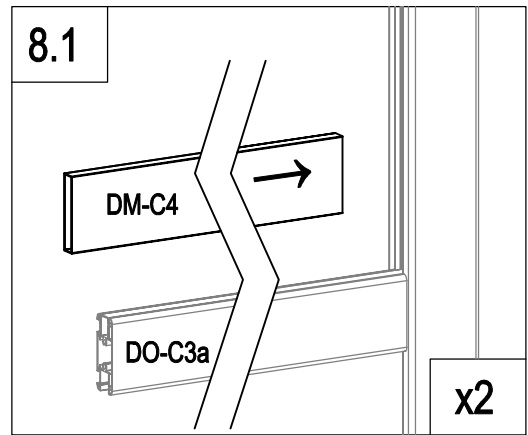
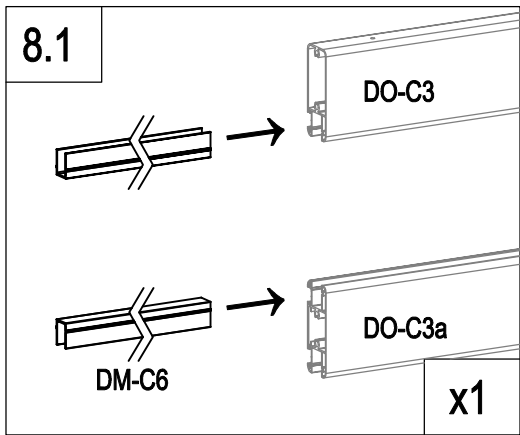
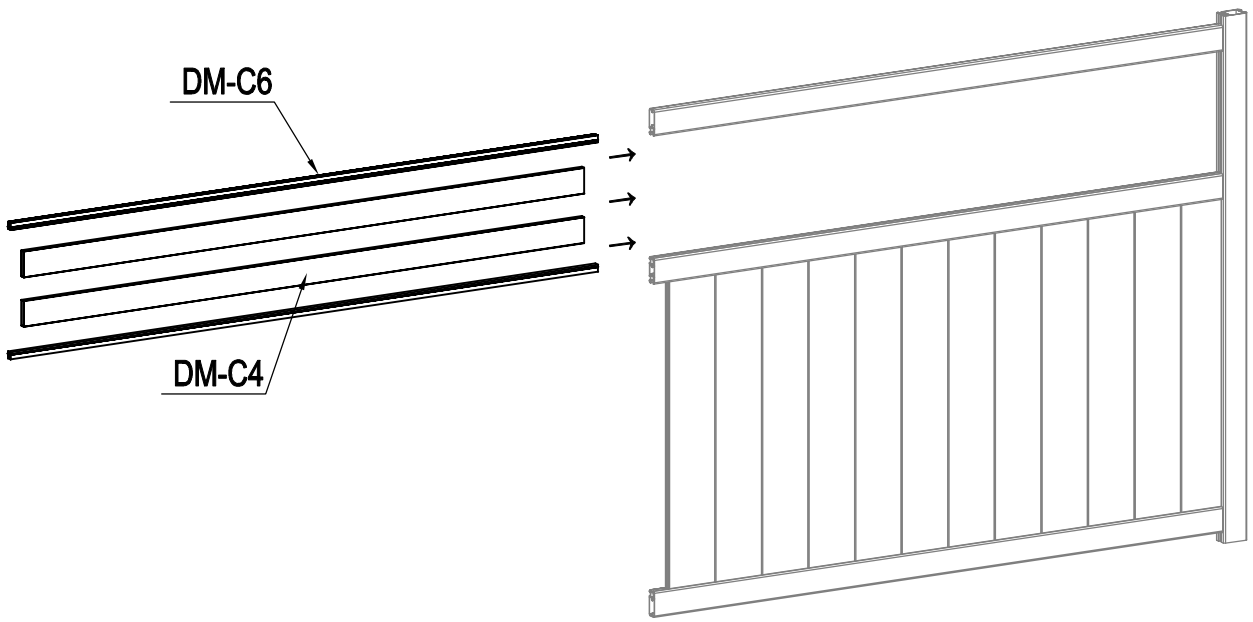


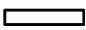

	DO-A6	2
---	-------	---

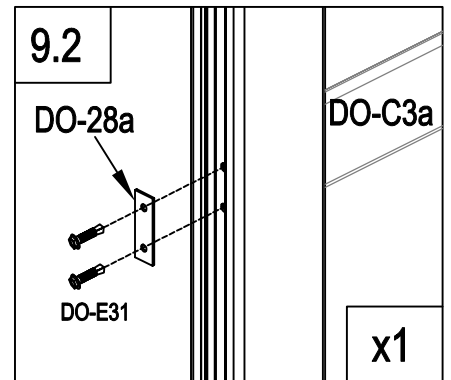
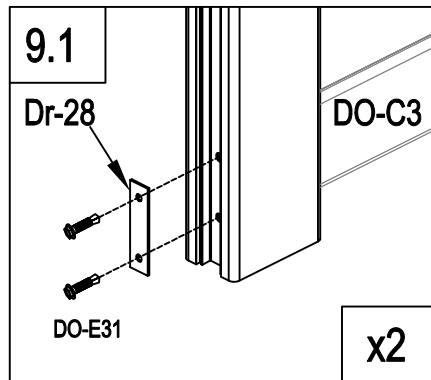
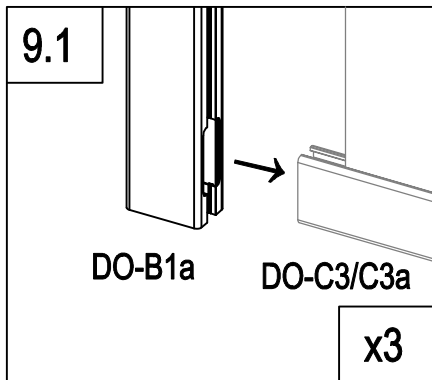
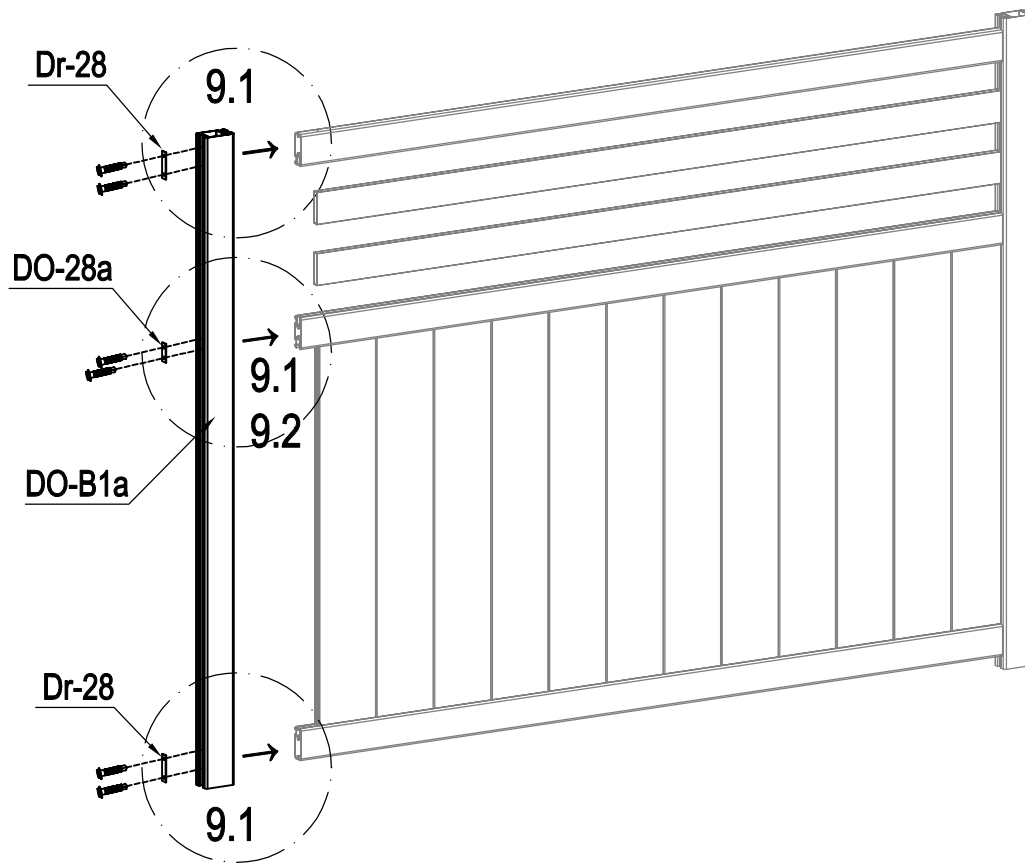



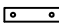
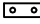

	DO-35	22
	DO-E35	24
	DO-E32	6

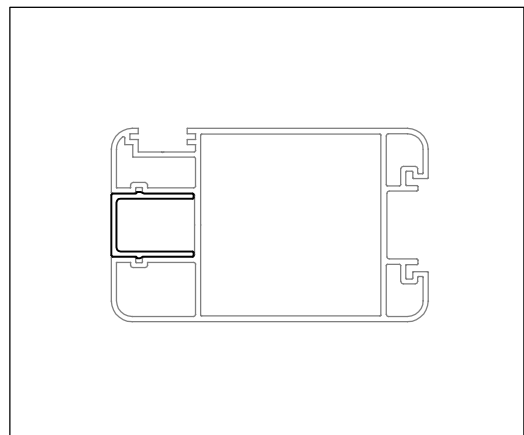
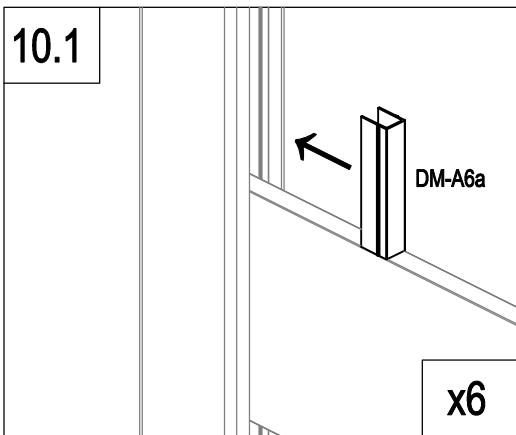
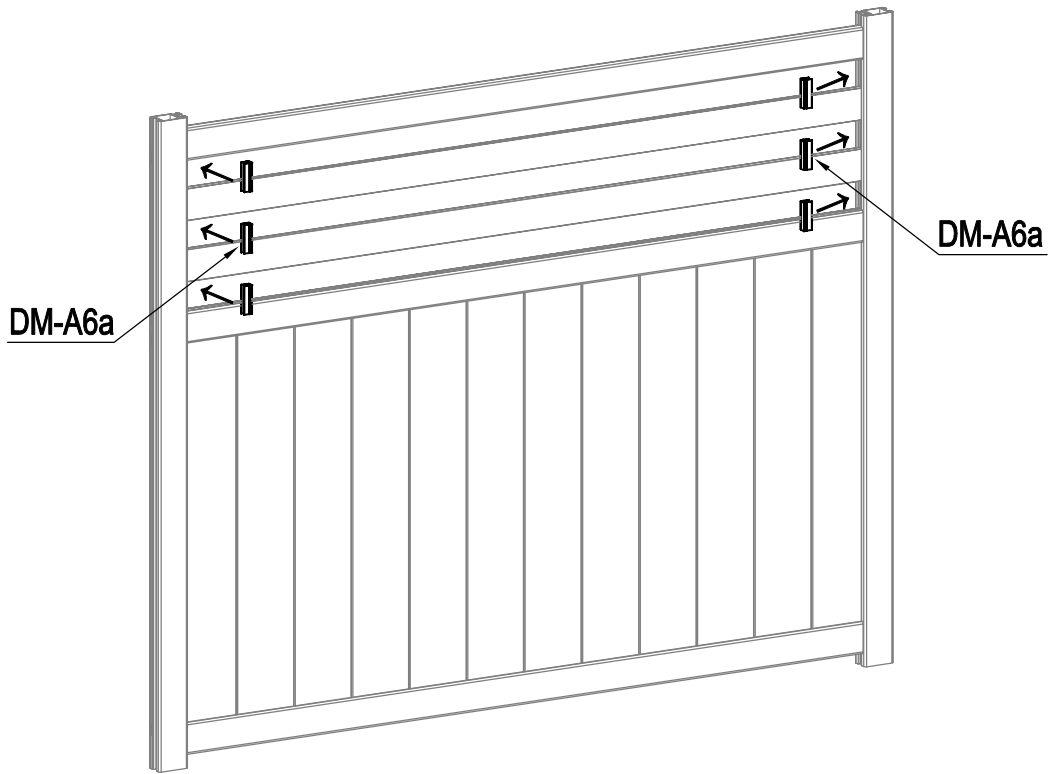




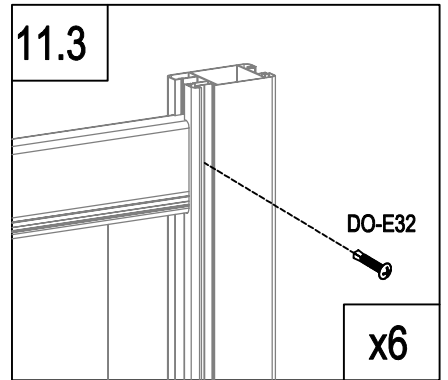
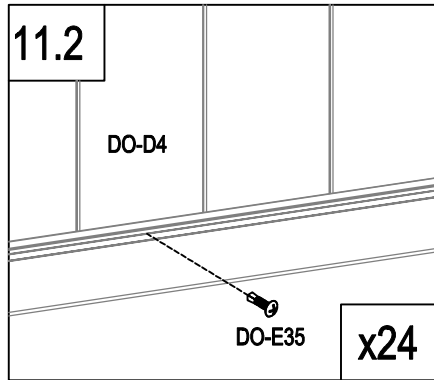
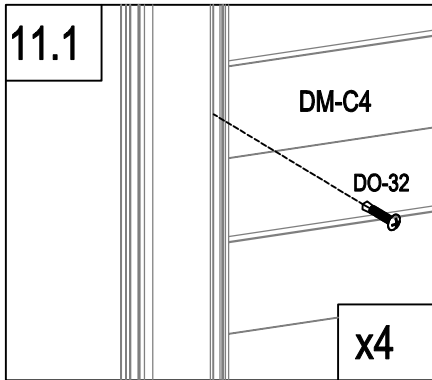
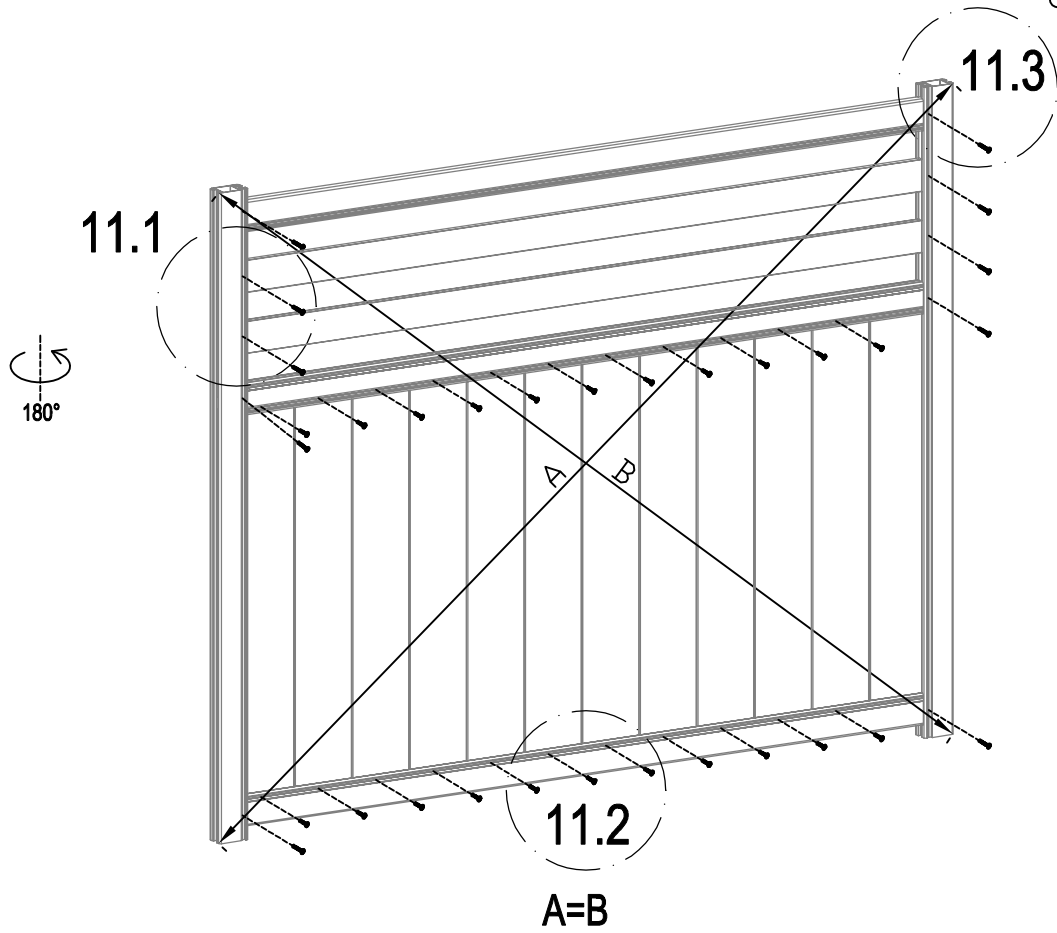
	DM-C4	2
	DM-C6	2



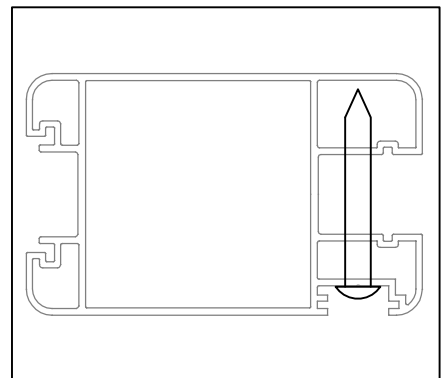
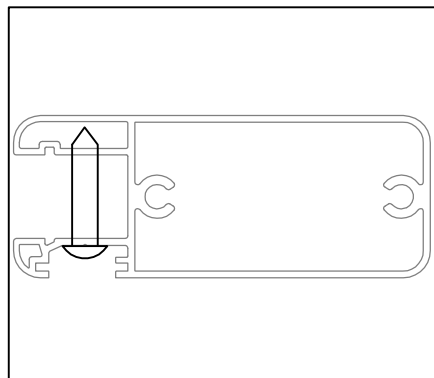
	DO-B1a	1
	Dr-28	2
	DO-28a	1
	DO-E31	6

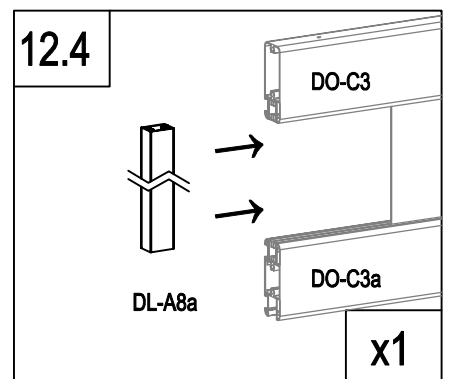
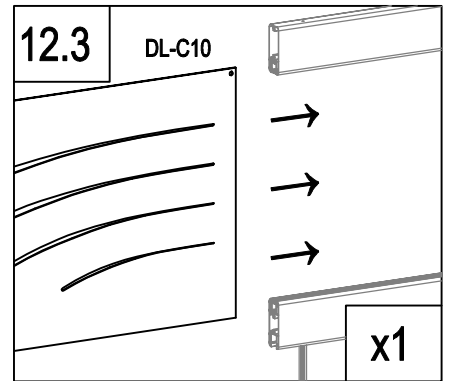
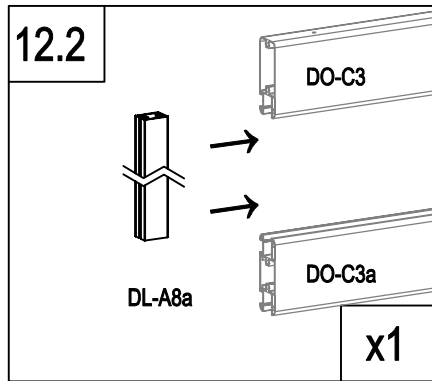
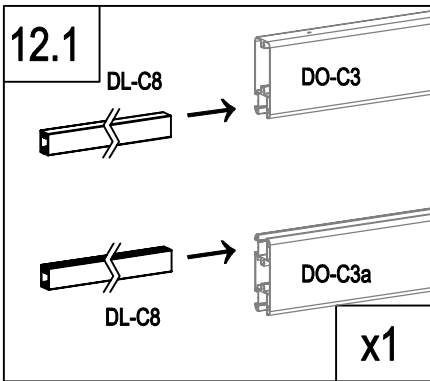
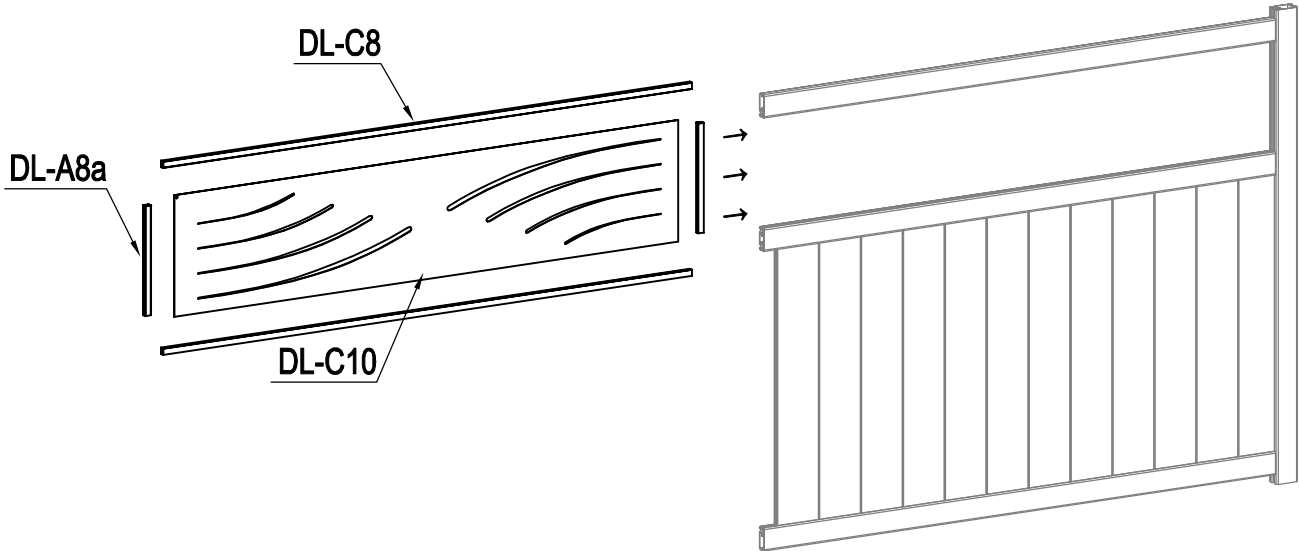


	DM-A6a	6
---	--------	---

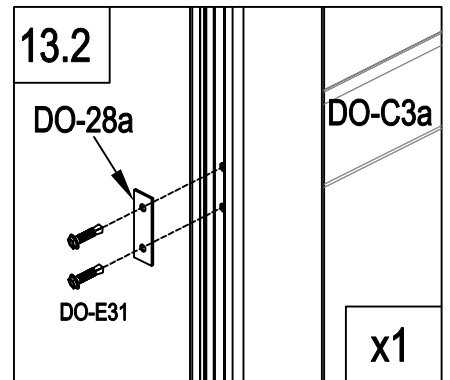
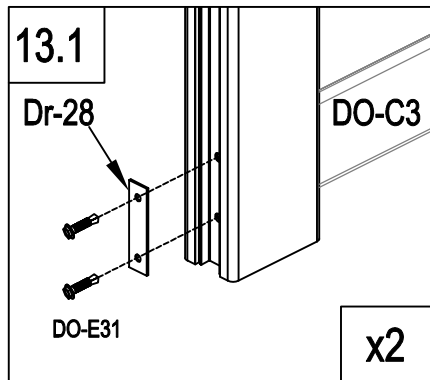
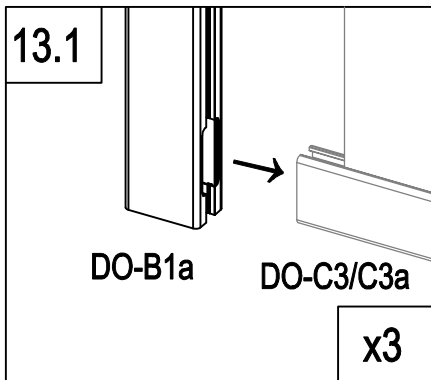
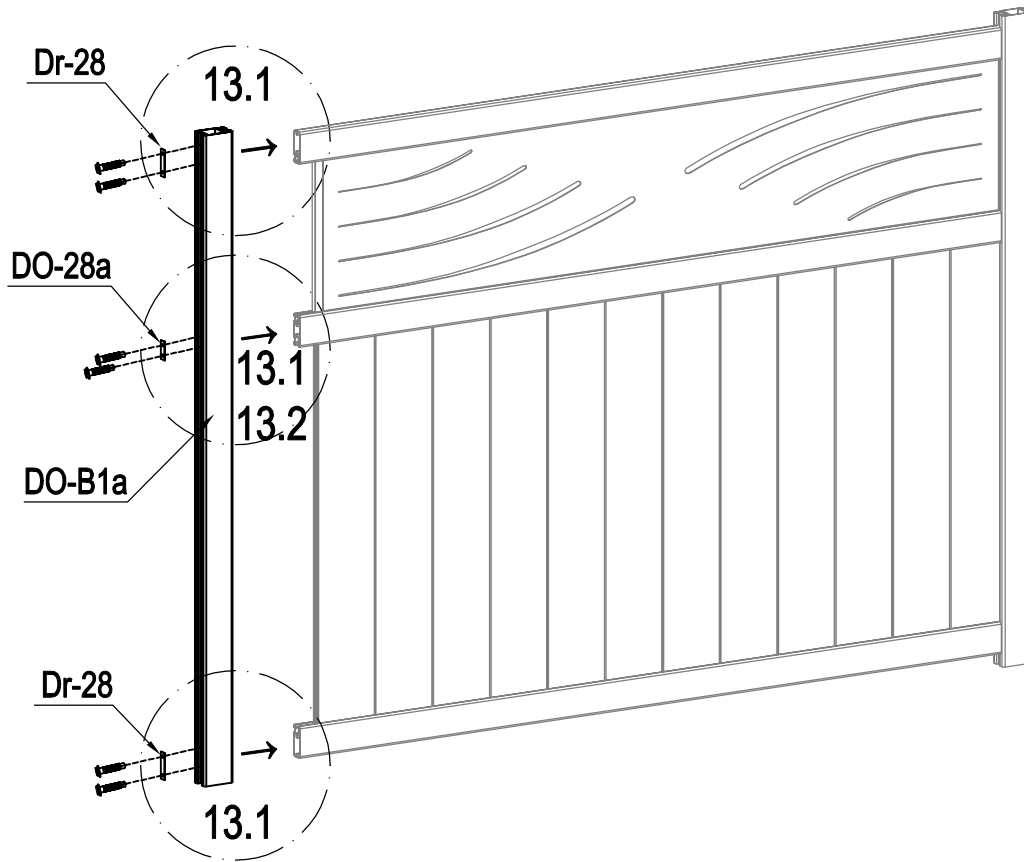


	DO-32	4
	DO-E35	24
	DO-E32	6

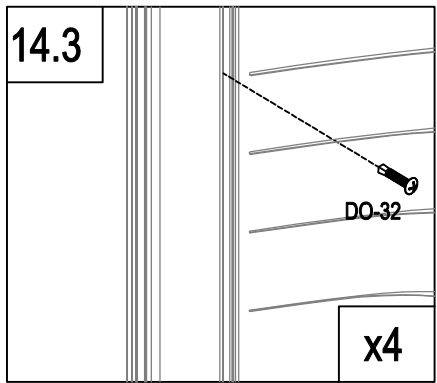
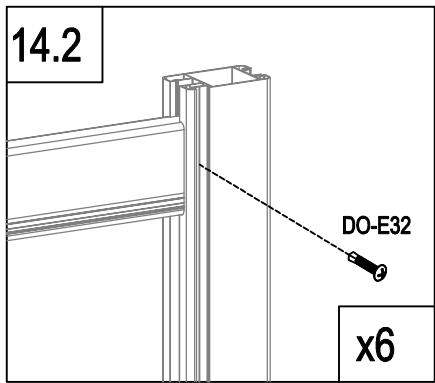
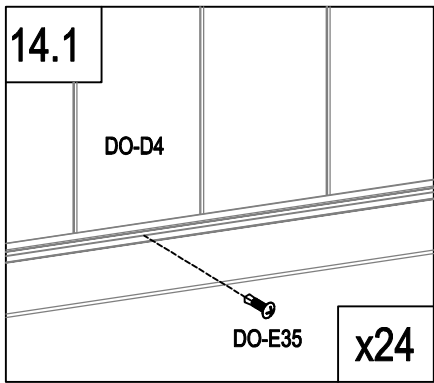
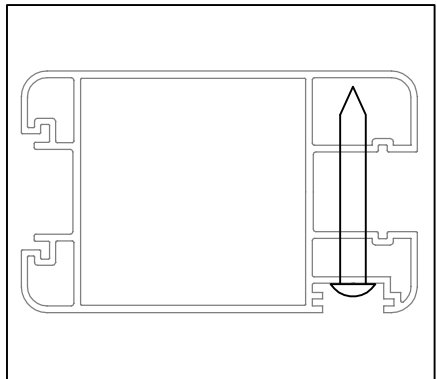
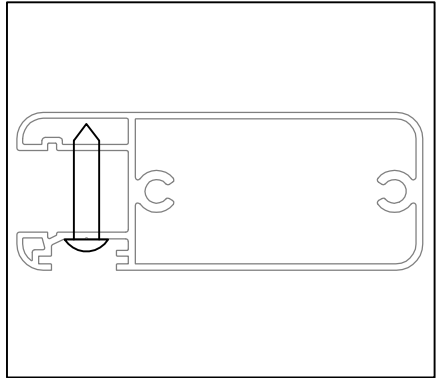
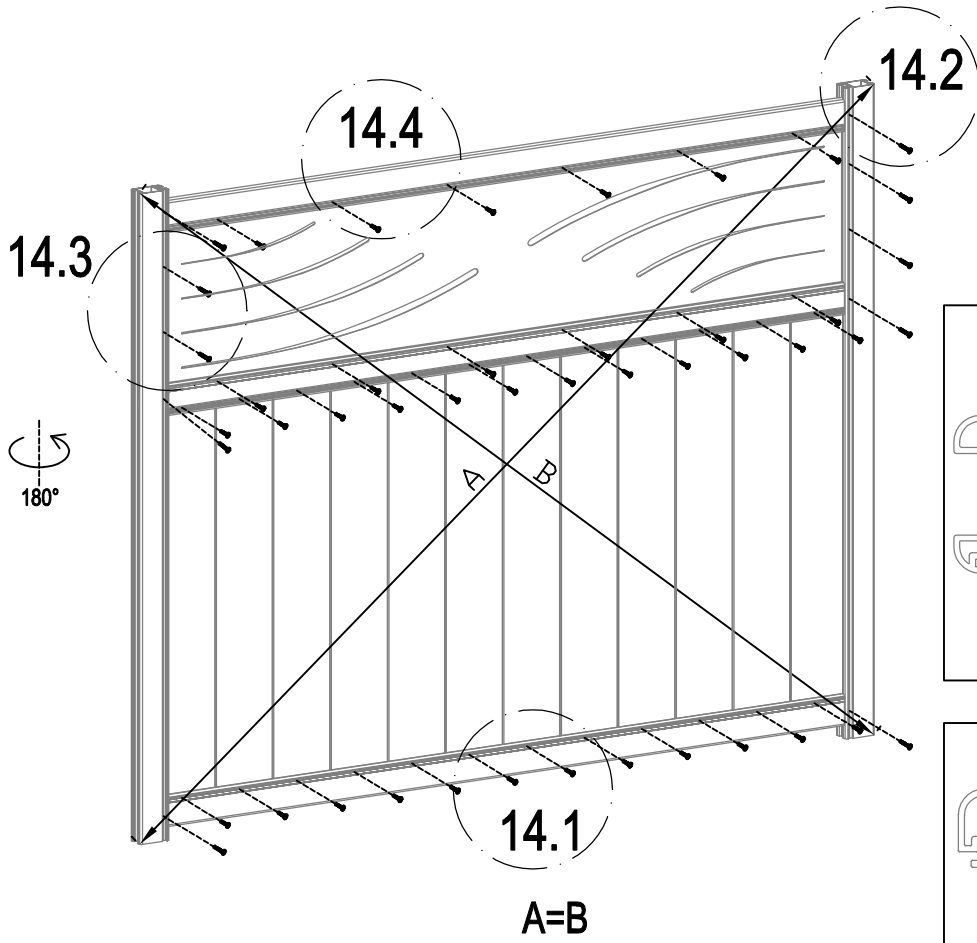




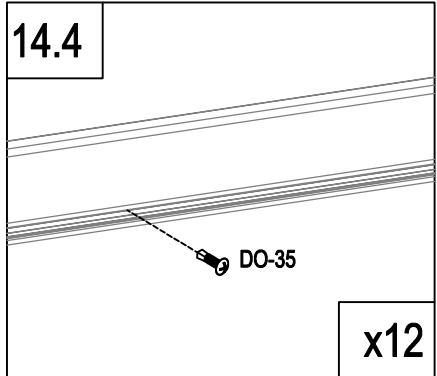
	DL-C10	1
	DL-C8	2
	DL-A8a	2

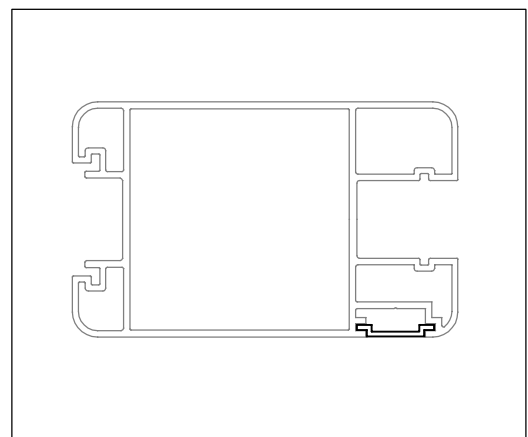
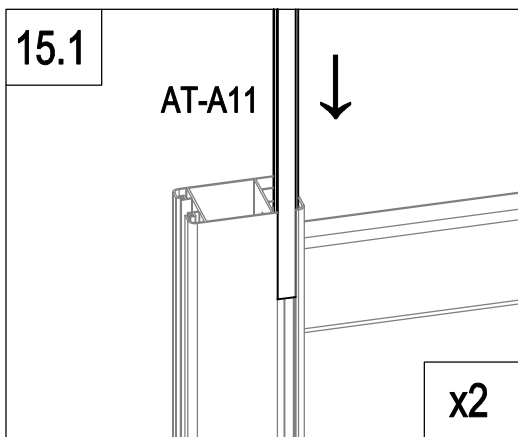
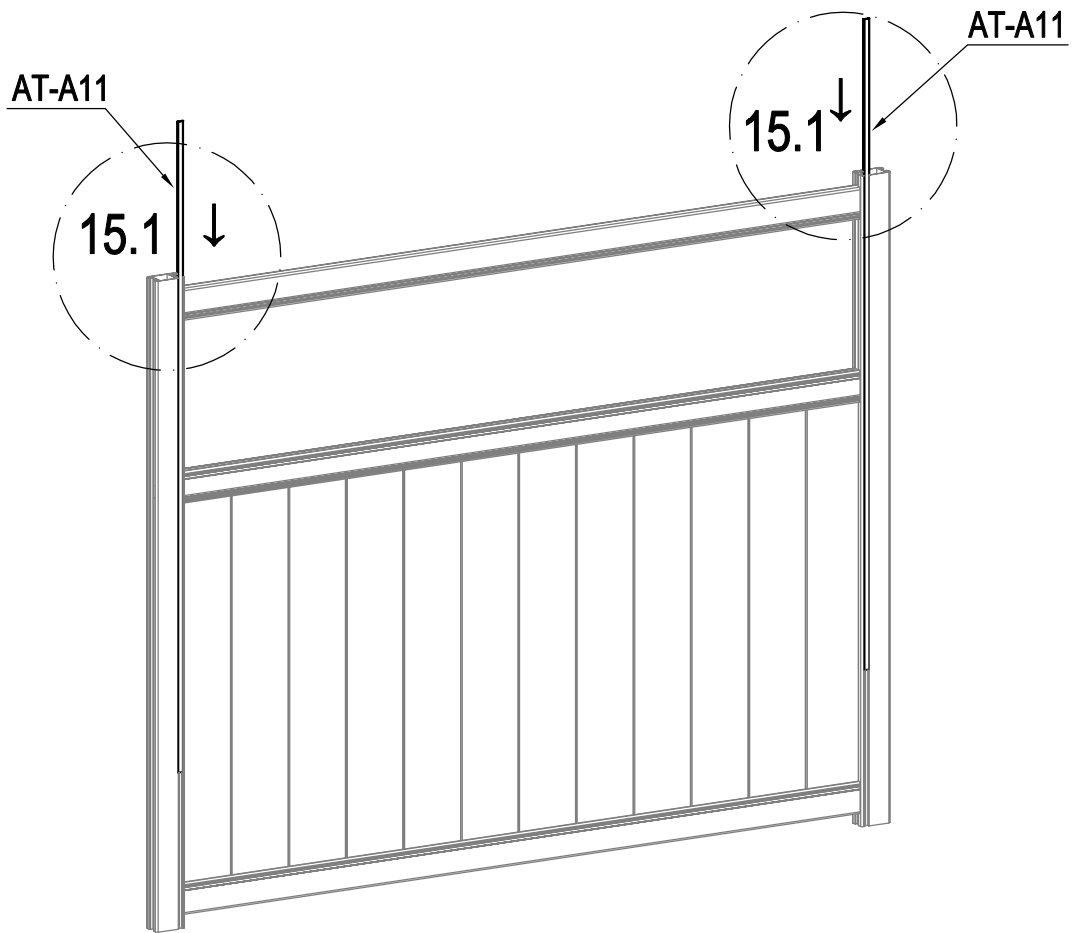


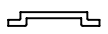
	DO-B1a	1
	Dr-28	2
	DO-28a	1
	DO-E31	6

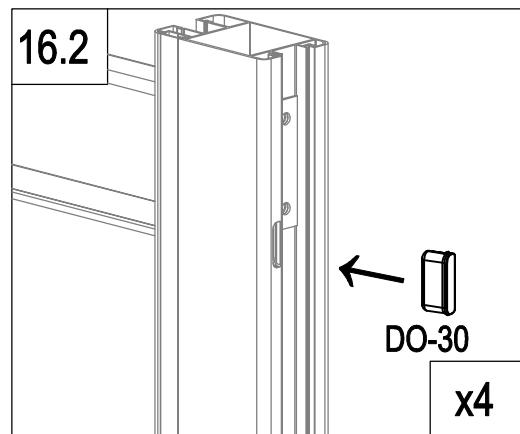
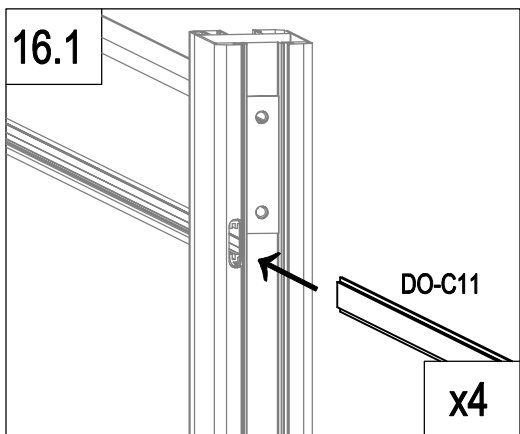
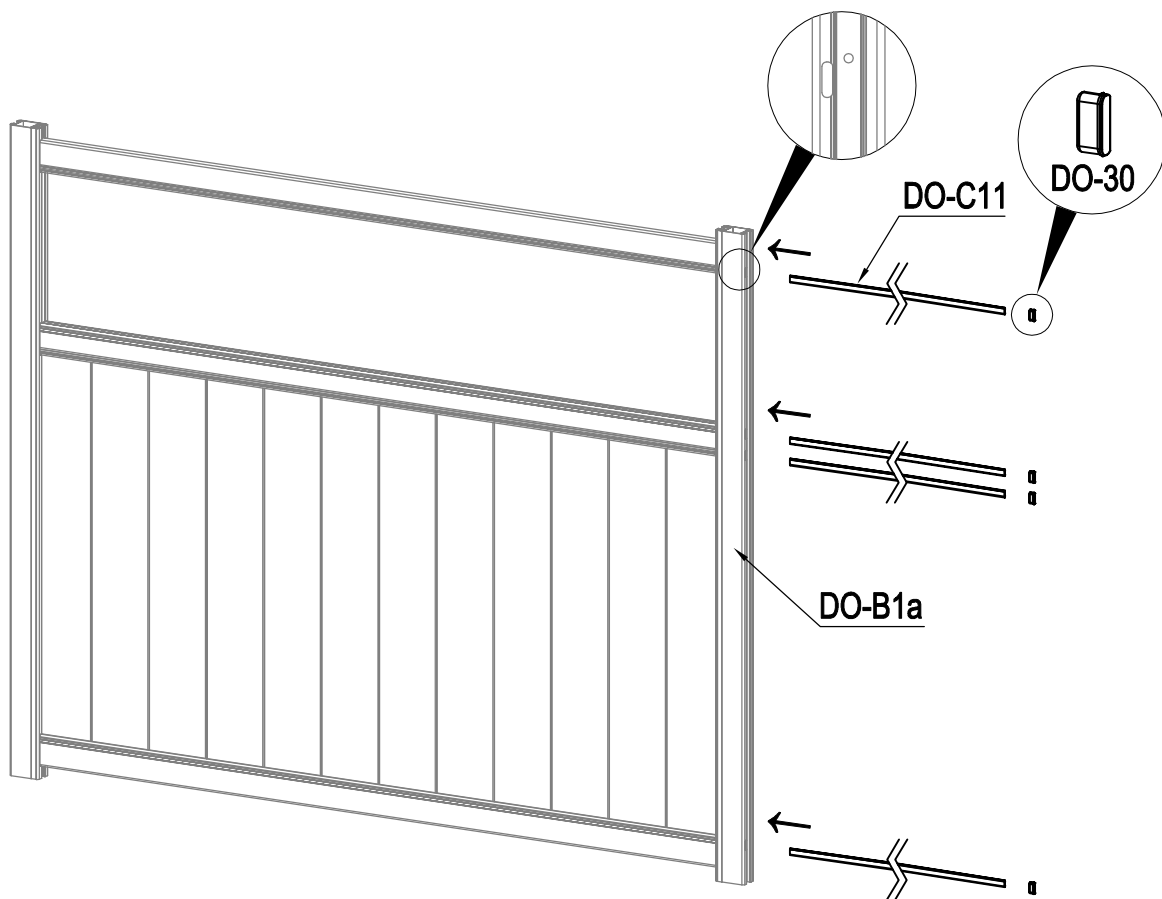


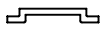

	DO-32	4
	DO-35	12
	DO-E35	24
	DO-E32	6

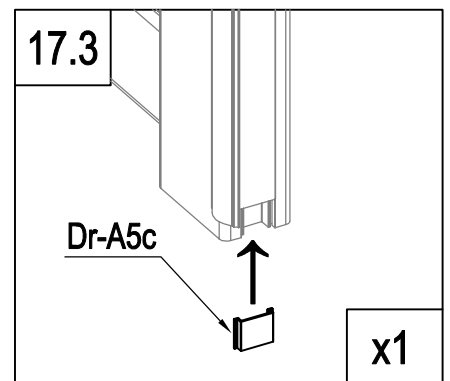
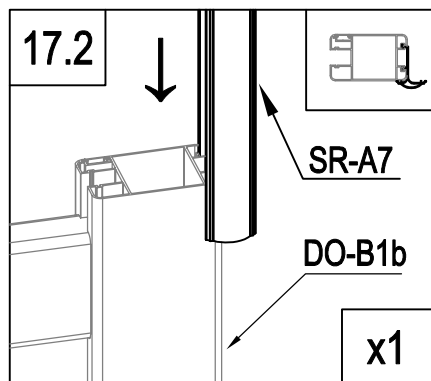
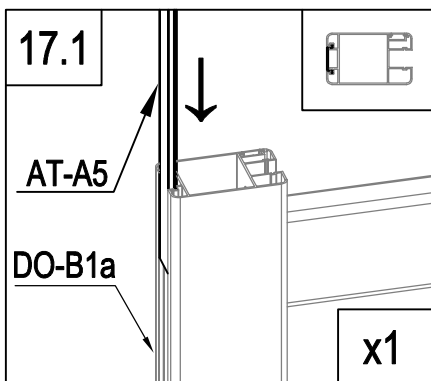
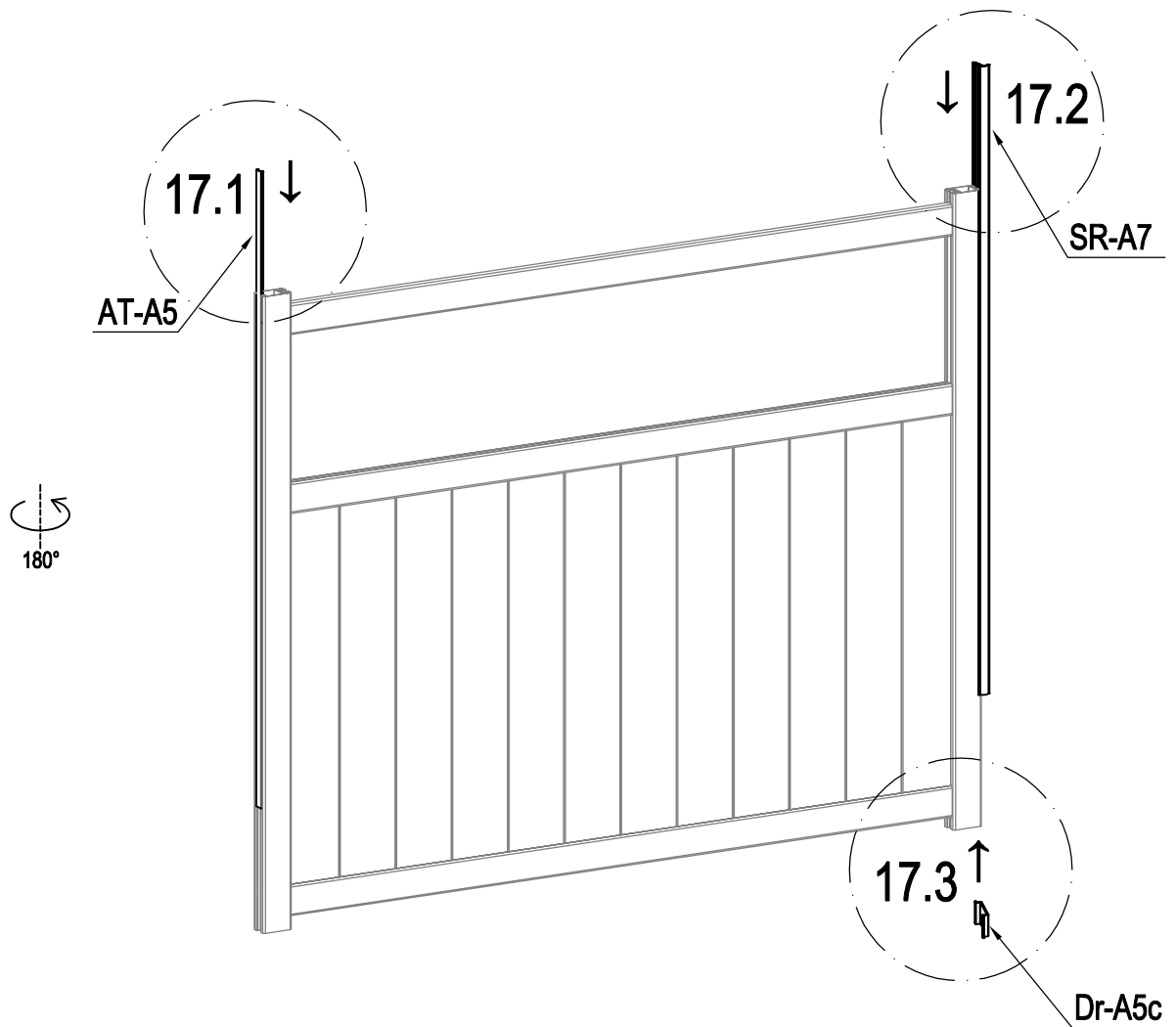



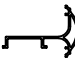


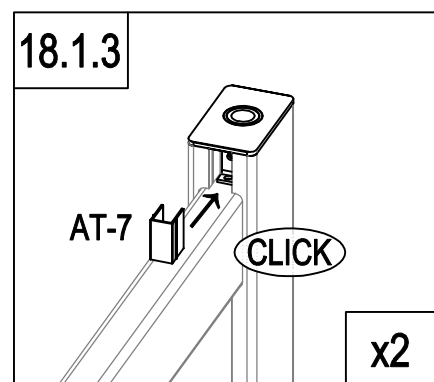
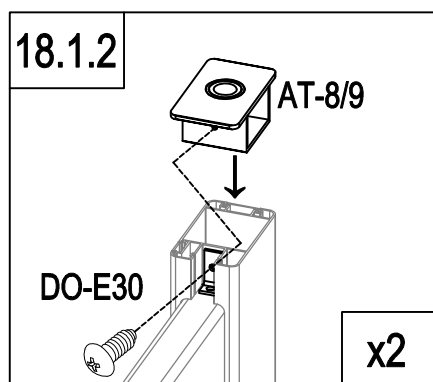
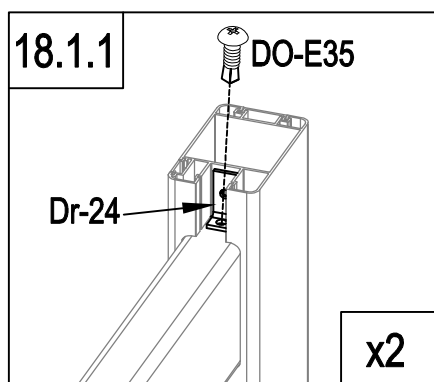
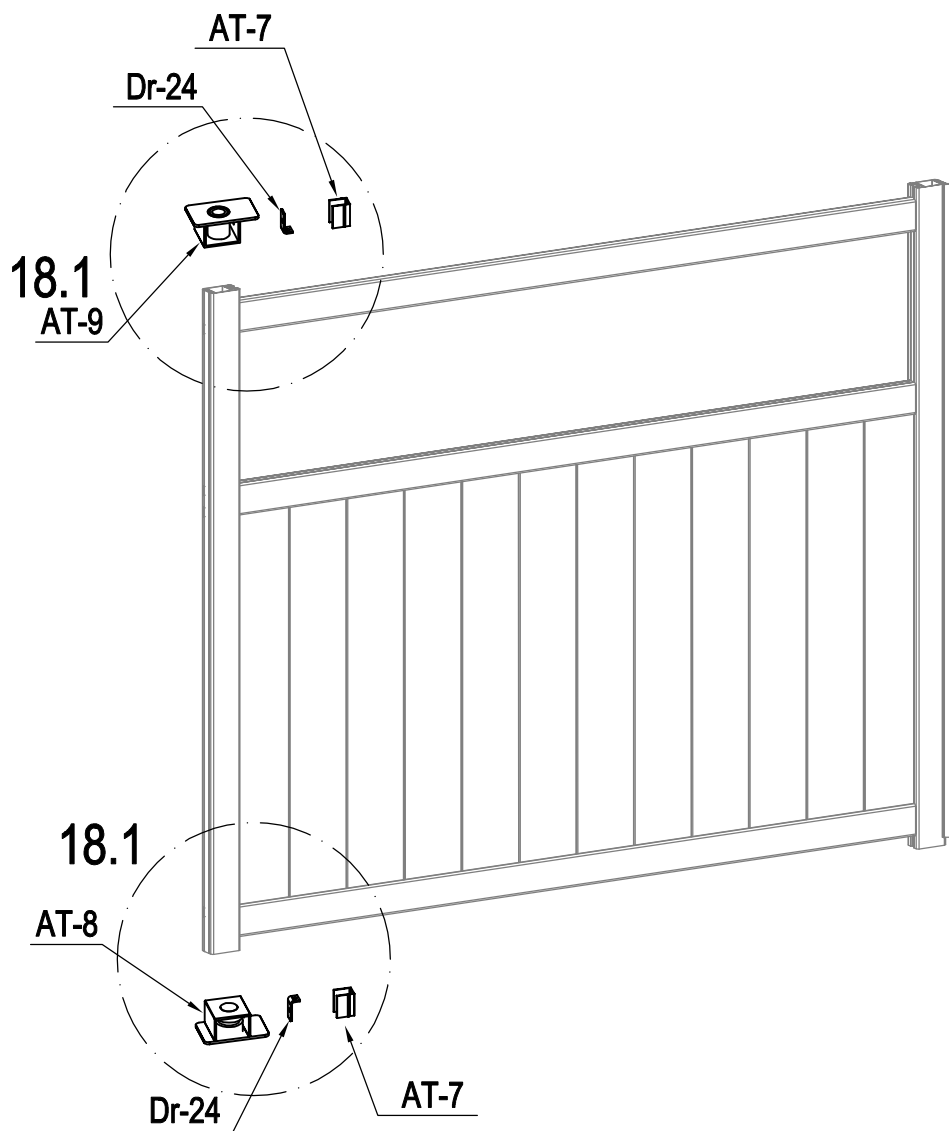
	AT-A11	2
---	--------	---



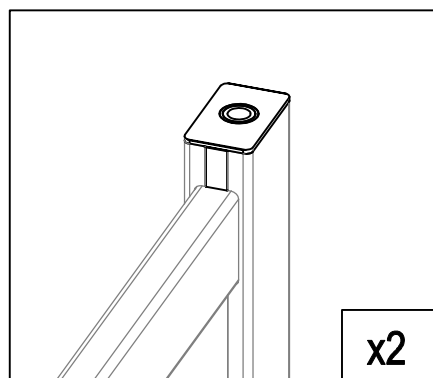
	DO-C11	4
	DO-30	4



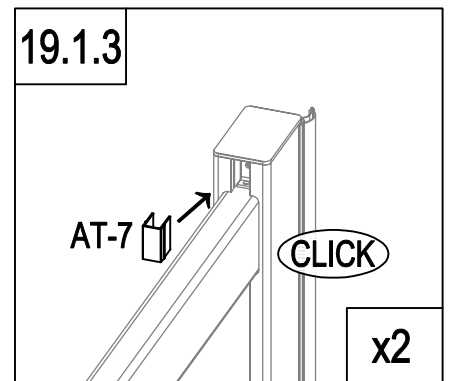
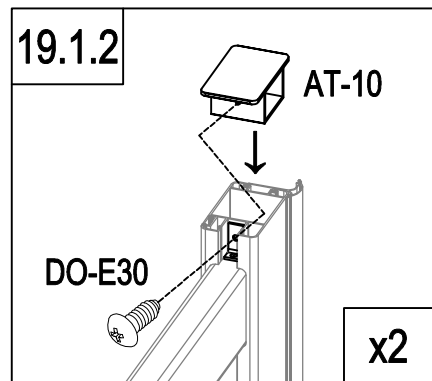
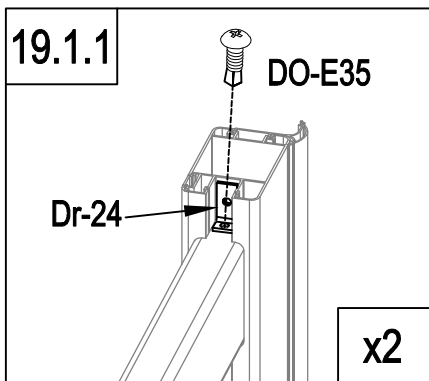
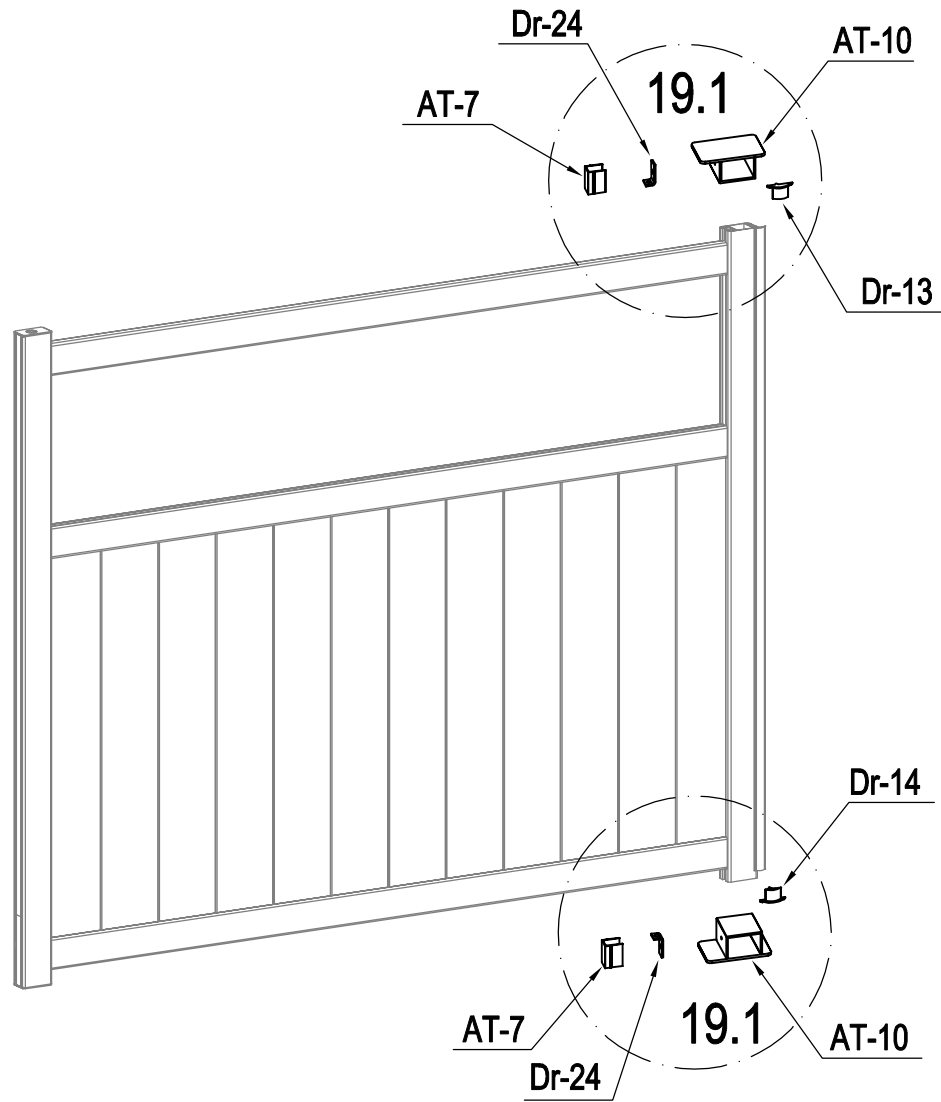
	AT-A5	1
	Dr-A5c	1
	SR-A7	1



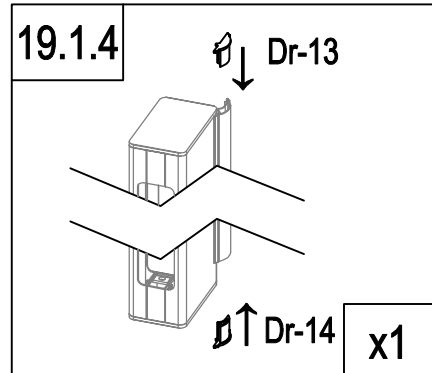
	AT-8	1
	AT-9	1
	Dr-24	2



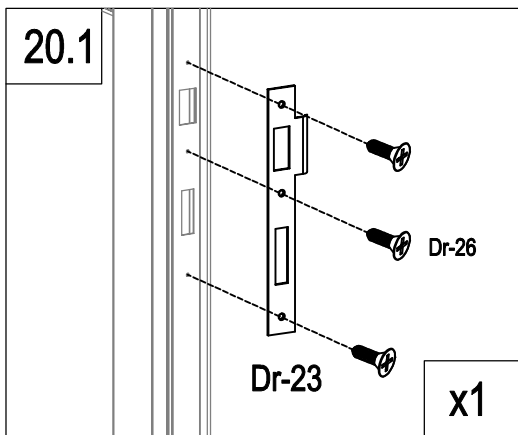
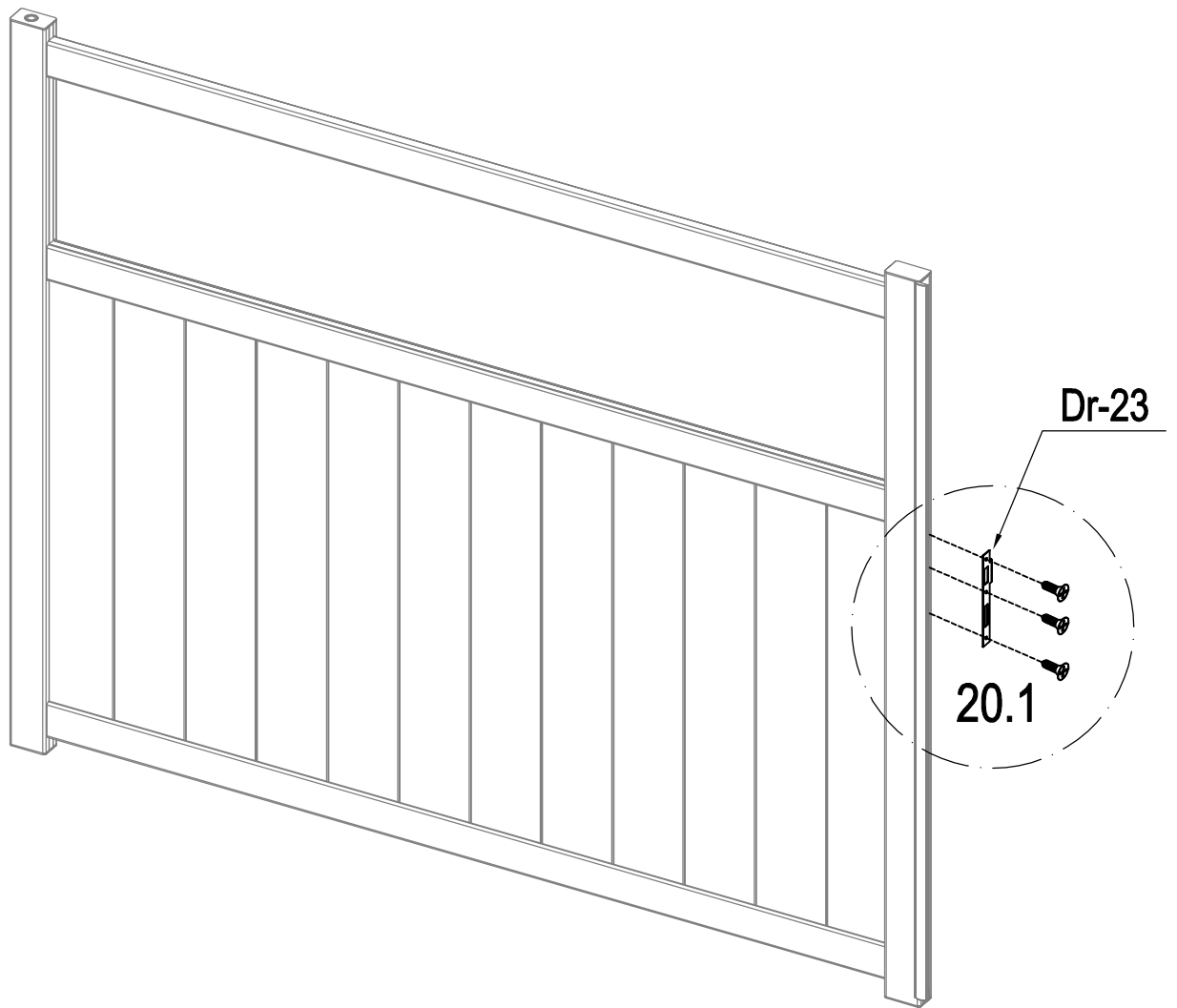
	AT-7	2
	DO-E30	2
	DO-E35	2





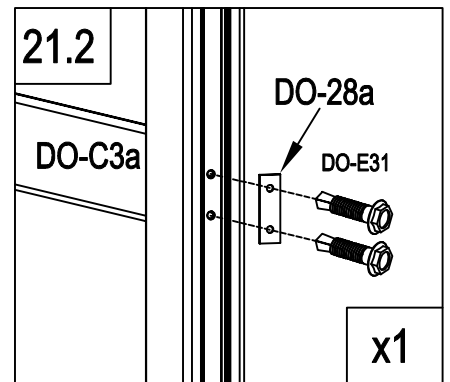
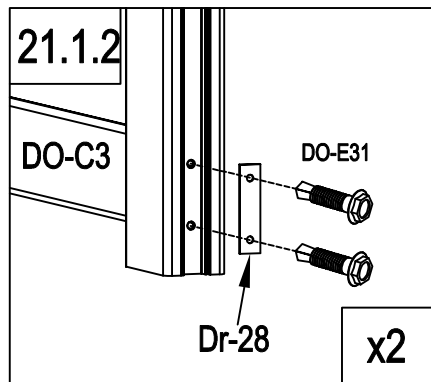
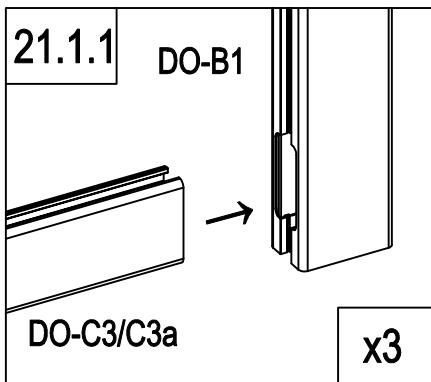
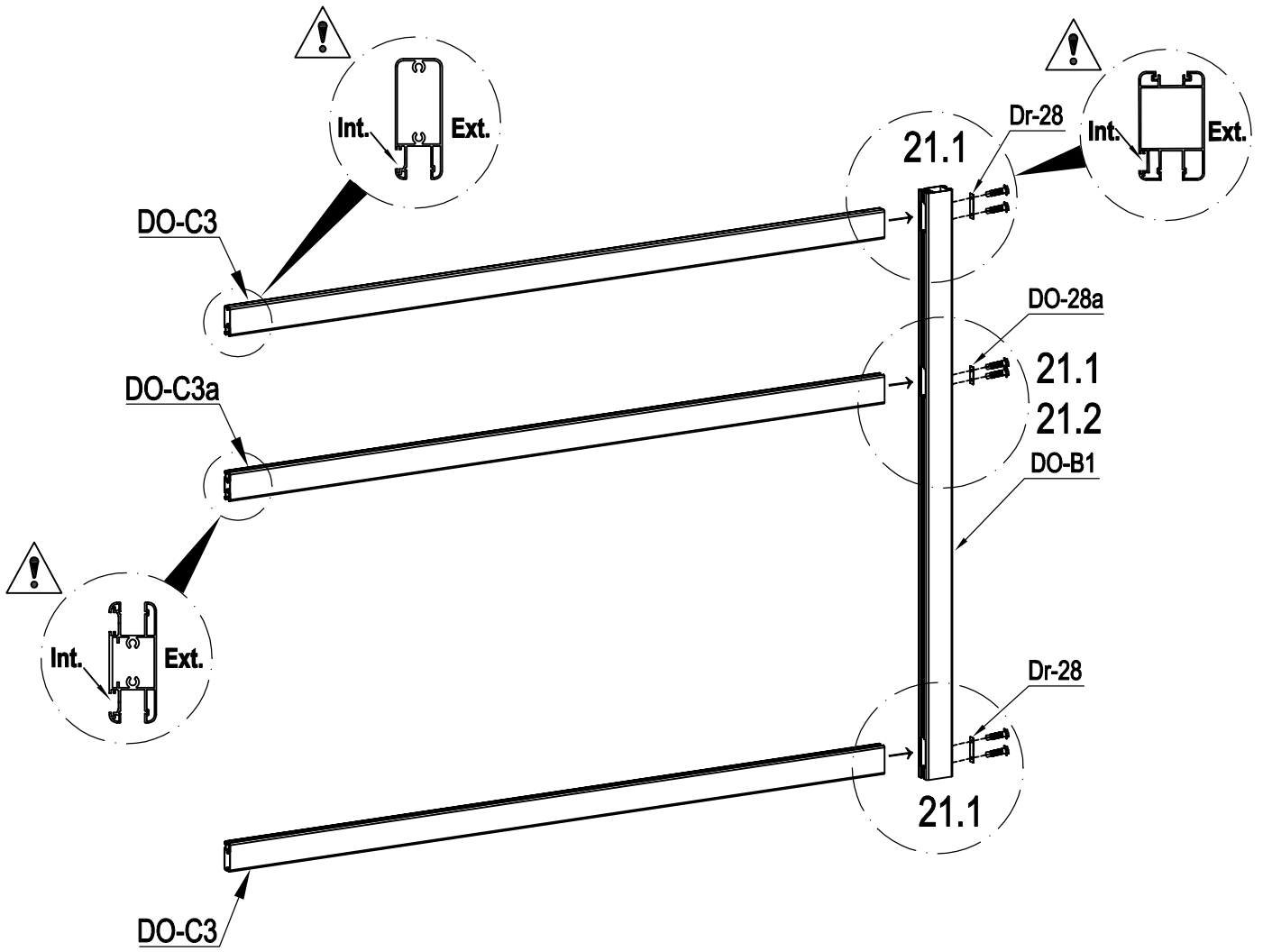
	AT-10	2
	Dr-24	2
	AT-7	2
	Dr-13	1



	Dr-14	1
	DO-E30	2
	DO-E35	2

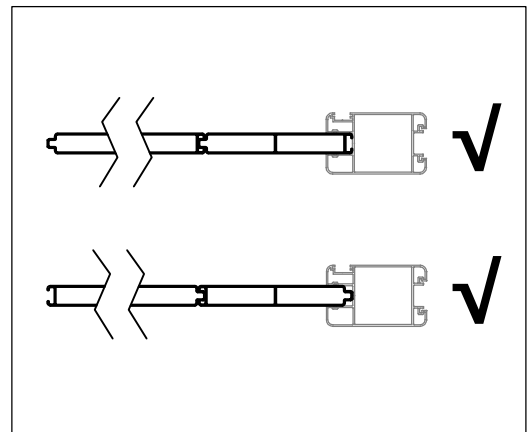
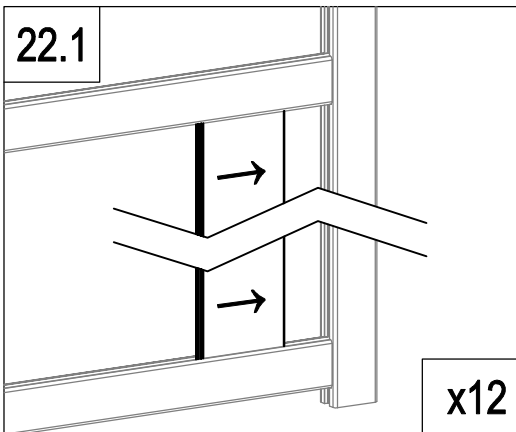
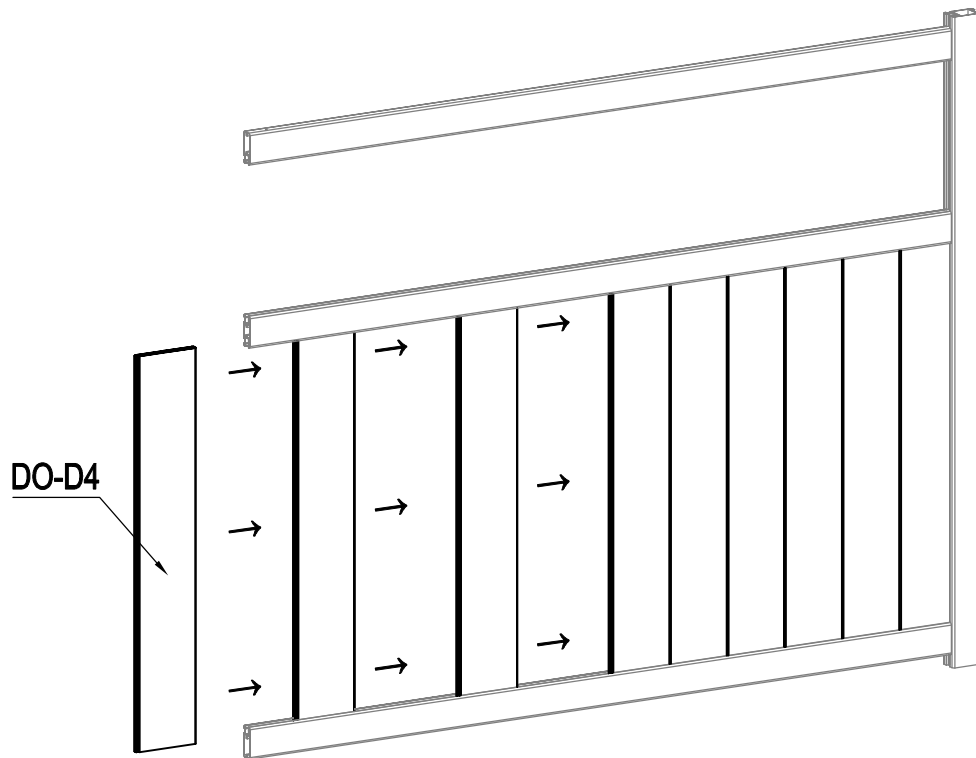


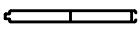
	Dr-23	1
	Dr-26	3



	DO-B1	1
	DO-C3	2
	DO-C3a	1

	Dr-28	2
	DO-28a	1
	DO-E31	6

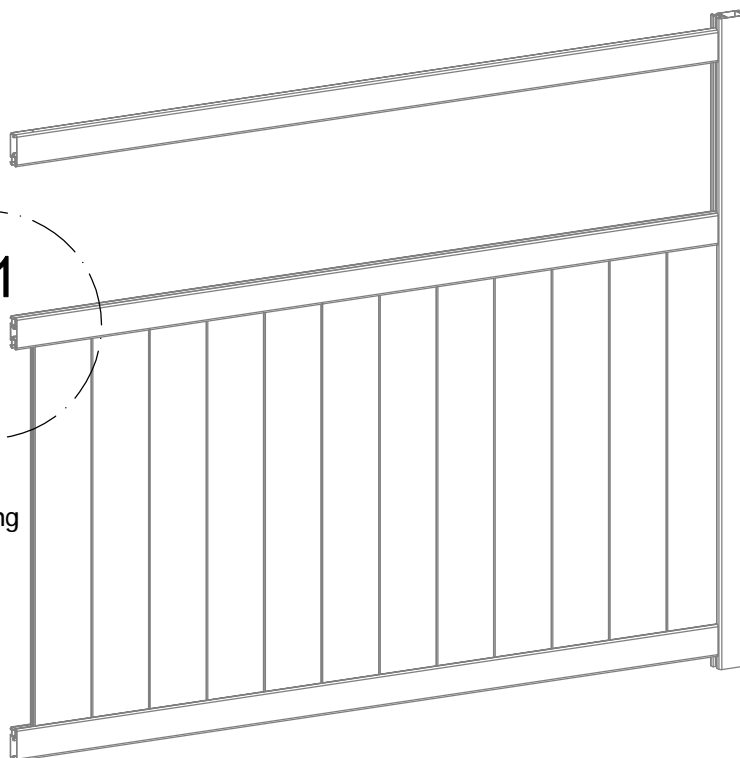


	DO-D4	12
---	-------	----

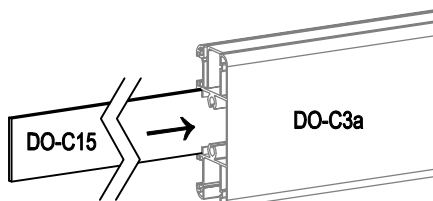
DO-C15

23.1

- EN: reinforced slat for automation
- FR : lame renforcée pour l'automatisation
- DE : verstärkte Lamelle für die Automatisierung
- ES: Lámina reforzada para la automatización
- PT: ripa reforçada para automatização
- IT: lamella rinforzata per l'automazione
- NL: versterkte lat voor automatisering
- PL: wzmocniona listwa do automatyzacji



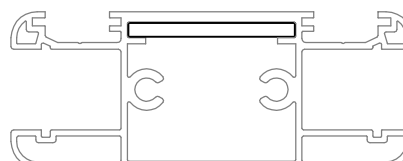
23.1



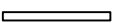
x1



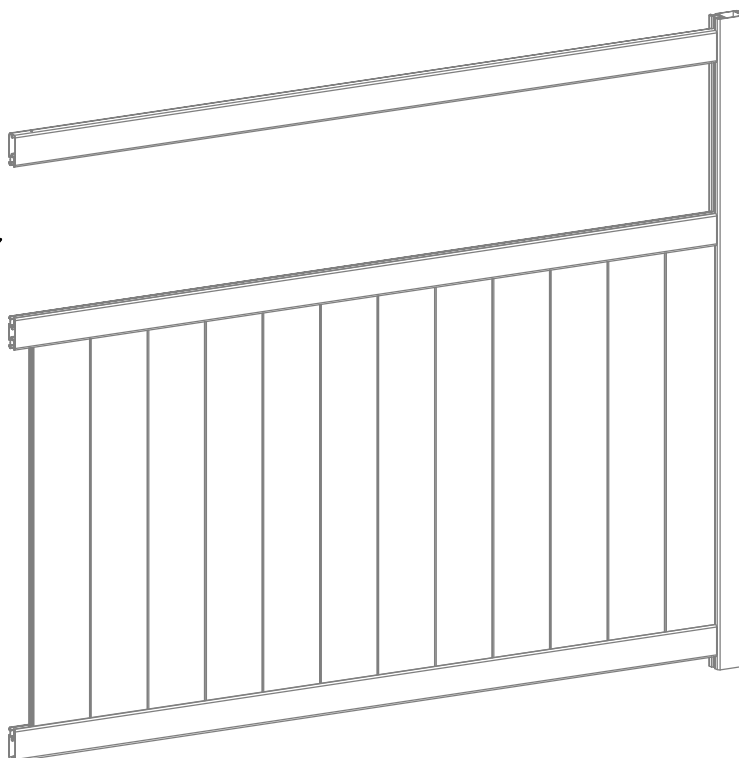
Int.



Ext.

	DO-C15	1
---	--------	---

Optional Kit



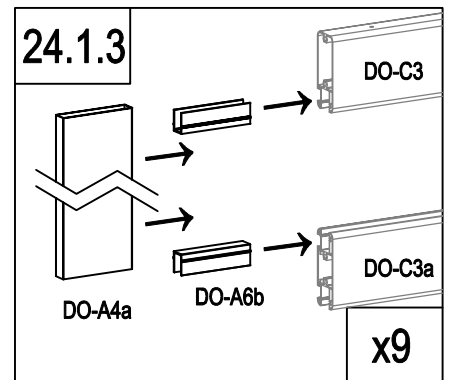
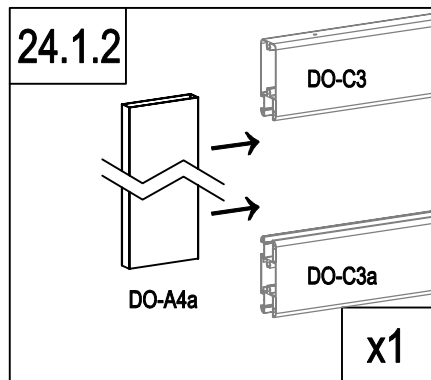
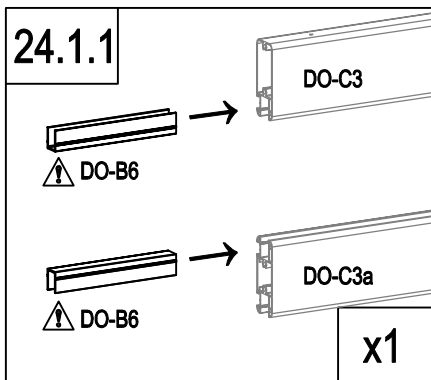
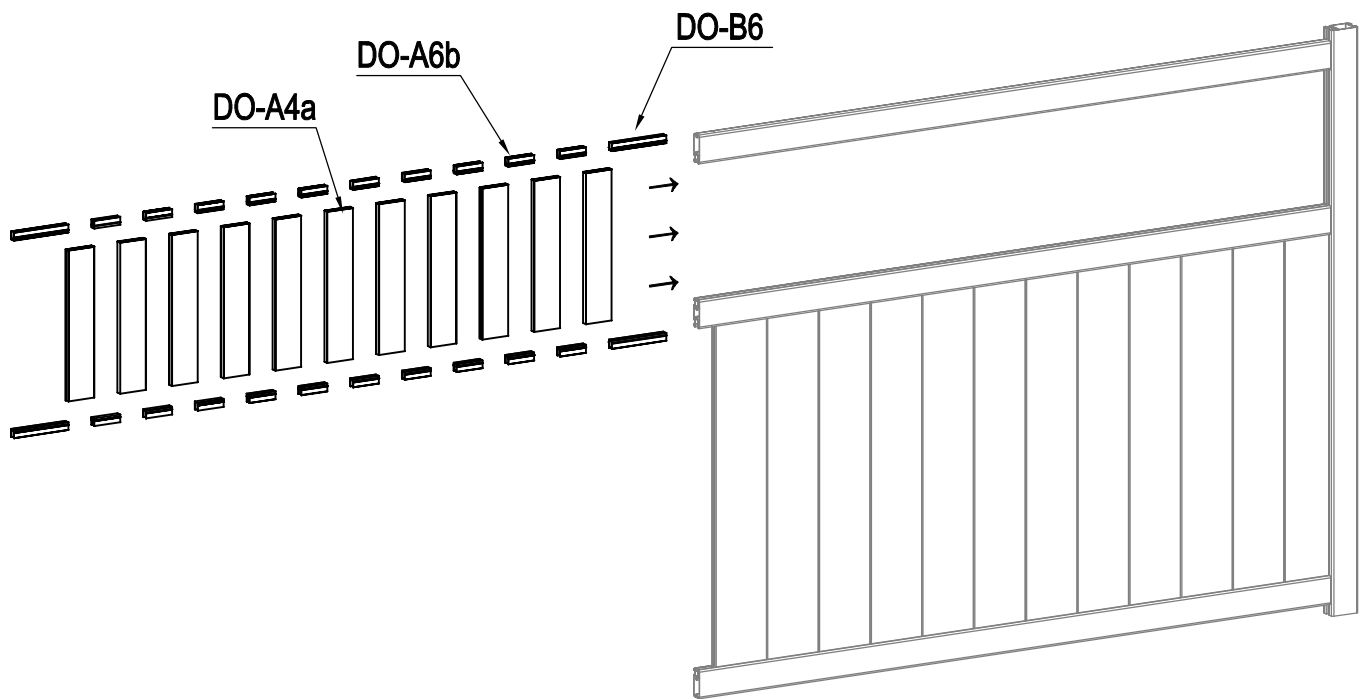
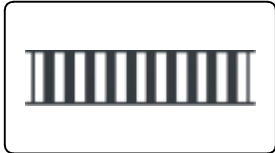
P 26~29



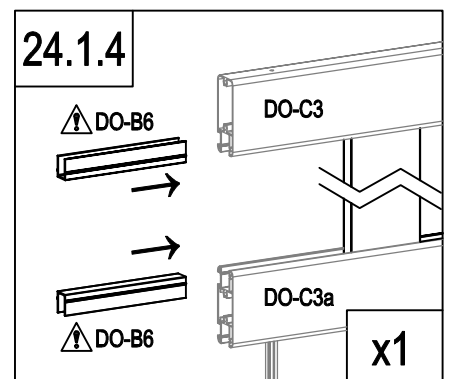
P 30~33

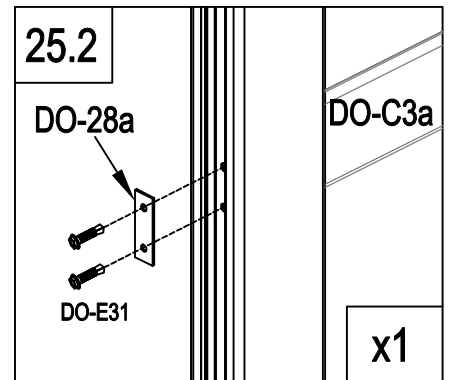
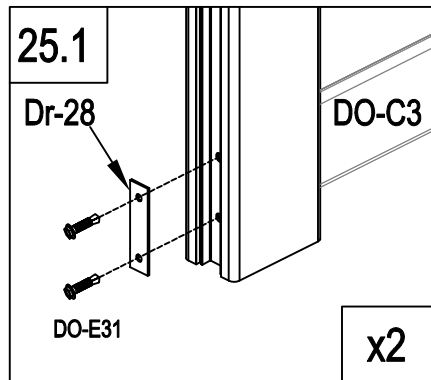
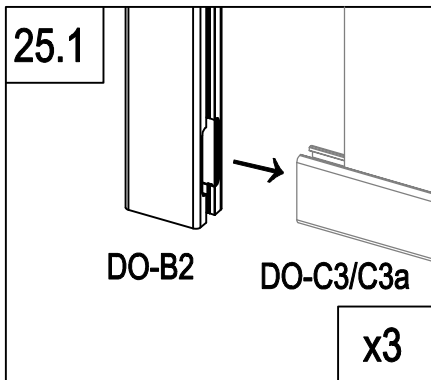
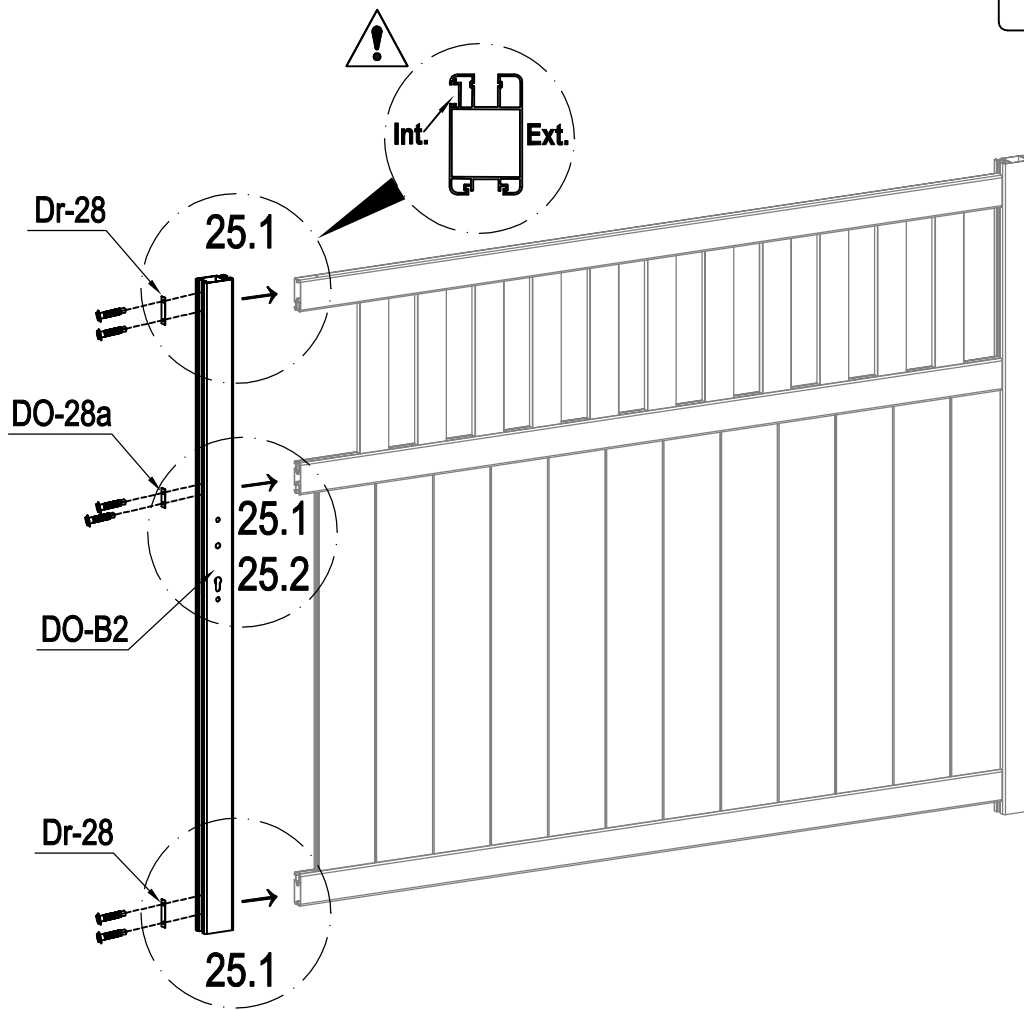
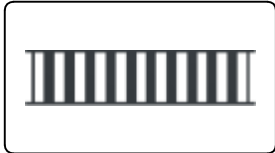


P 34~36

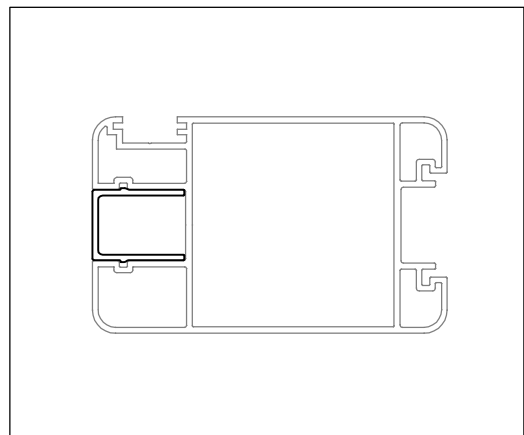
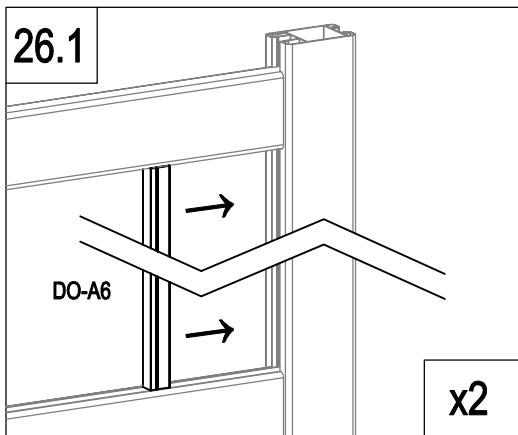
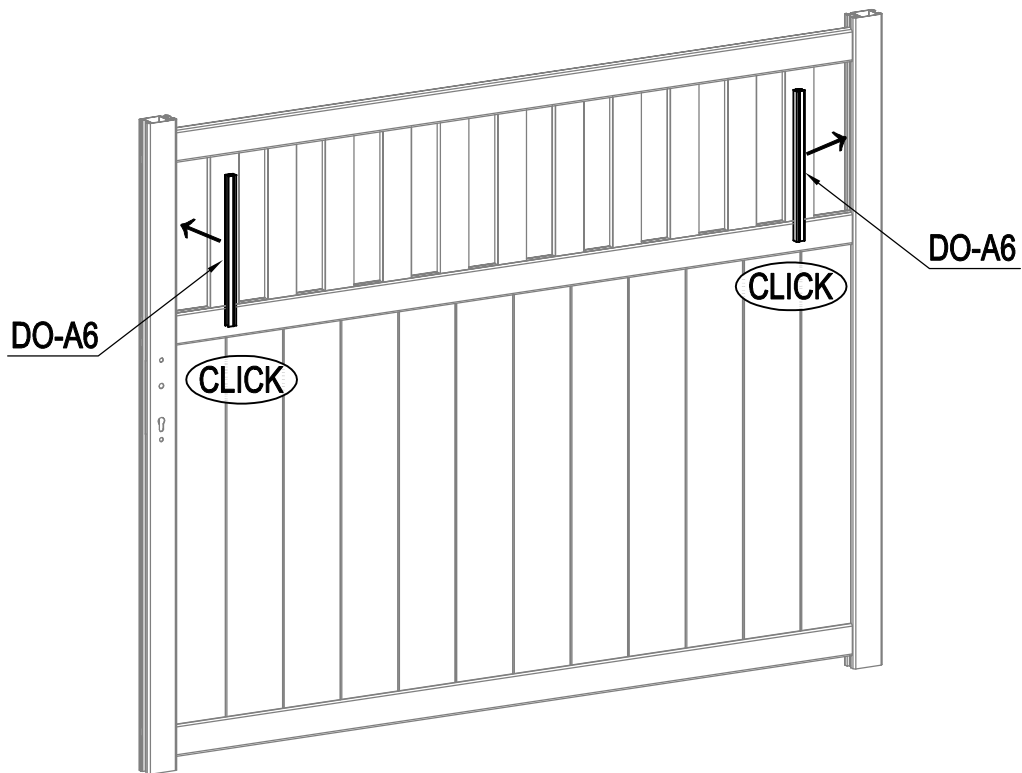
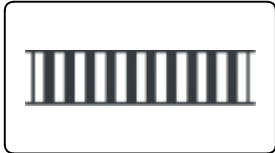


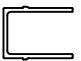
	DO-A4a	406mm	10
	DO-B6	163mm	4
	DO-A6b	77.5mm	18

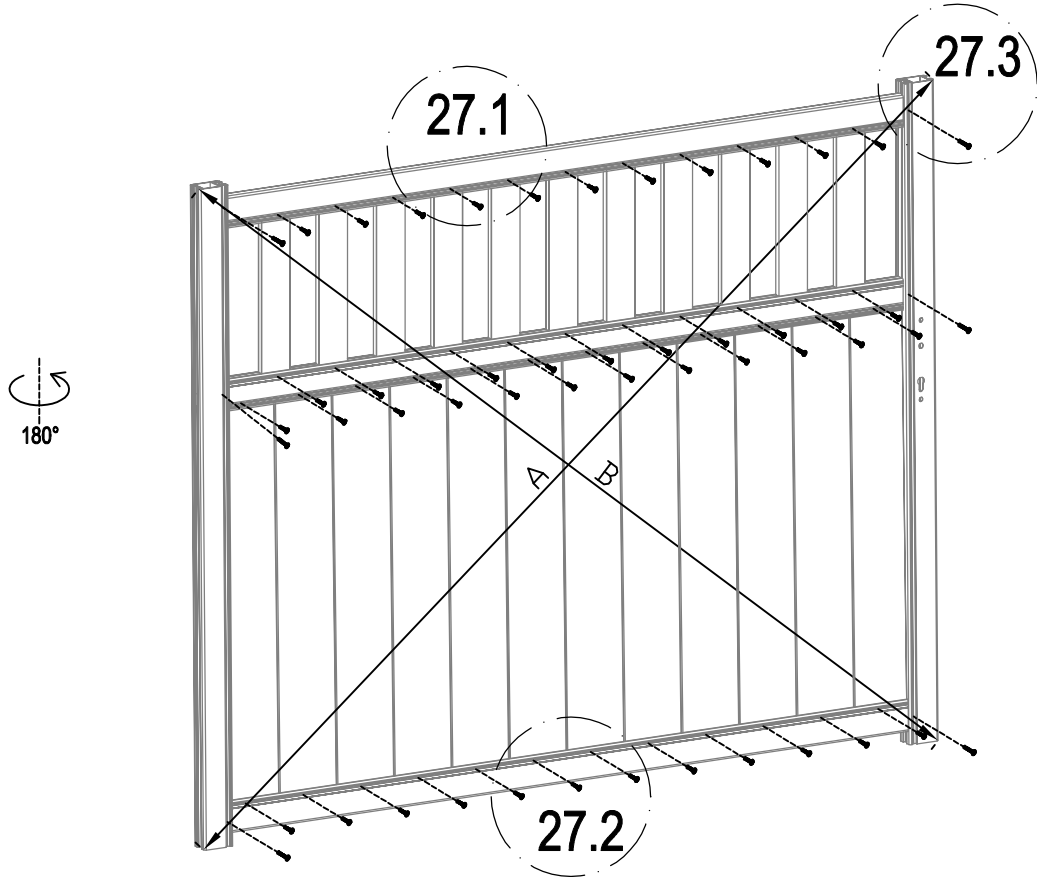
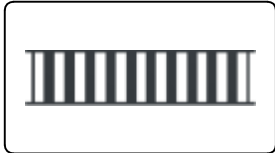




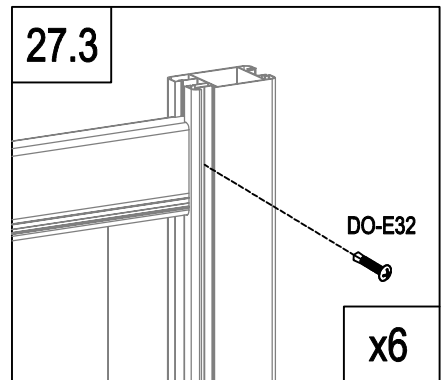
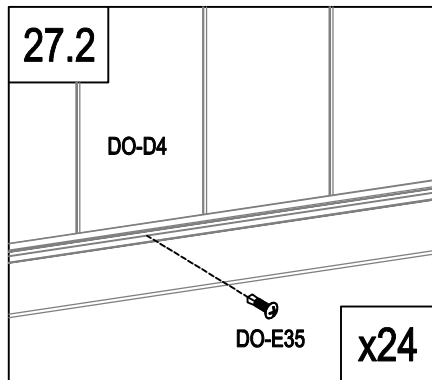
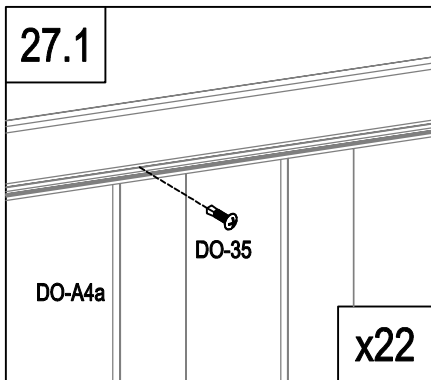
	DO-B2	1
	Dr-28	2
	DO-28a	1
	DO-E31	6






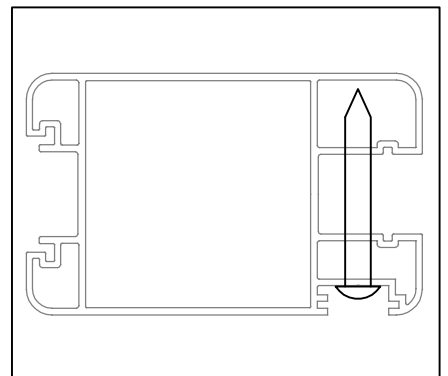
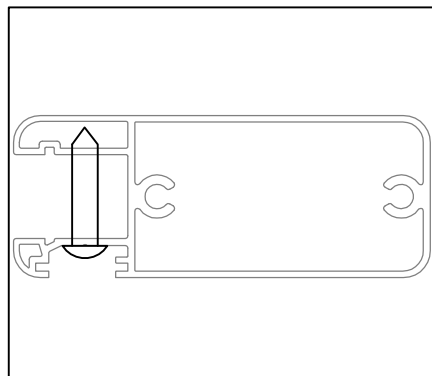
	DO-A6	2
---	-------	---

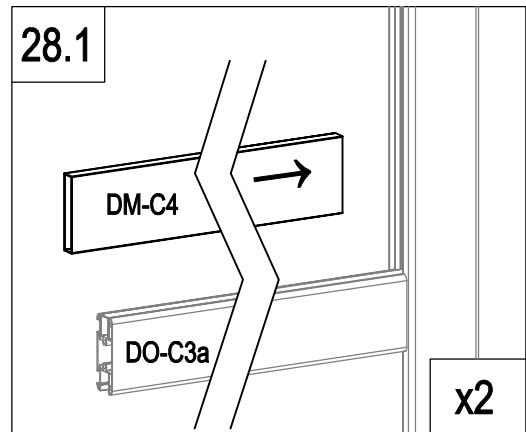
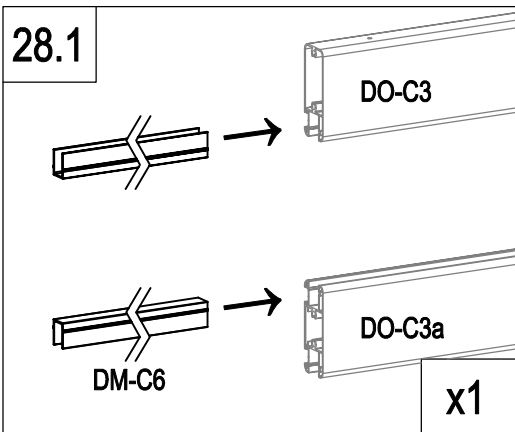
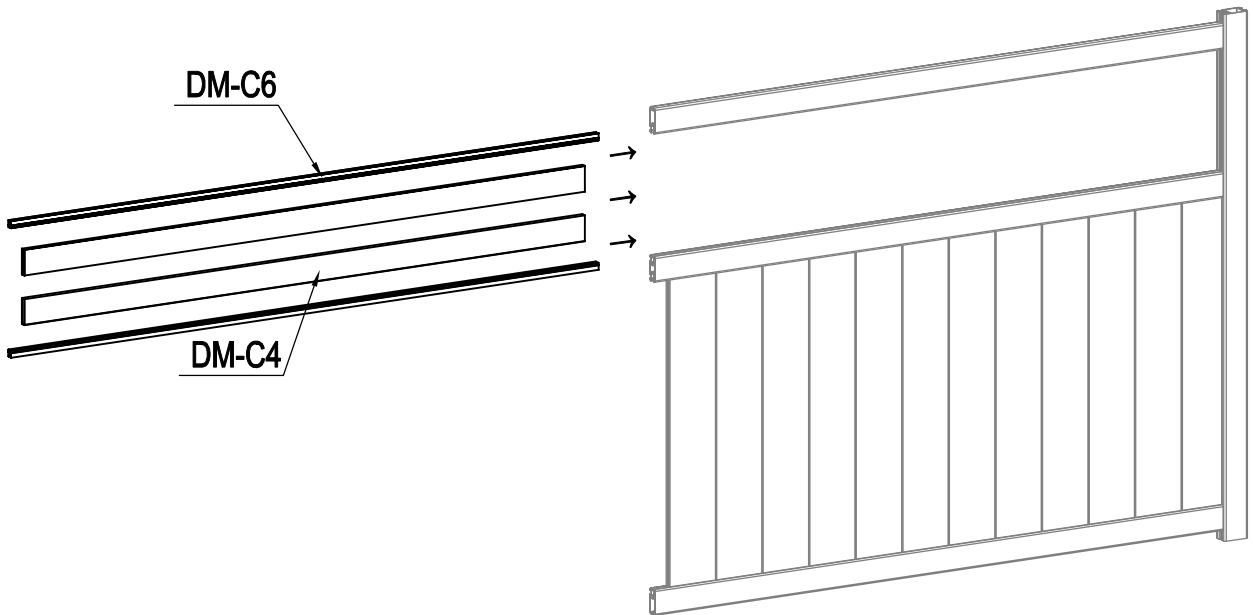


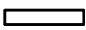

! A=B

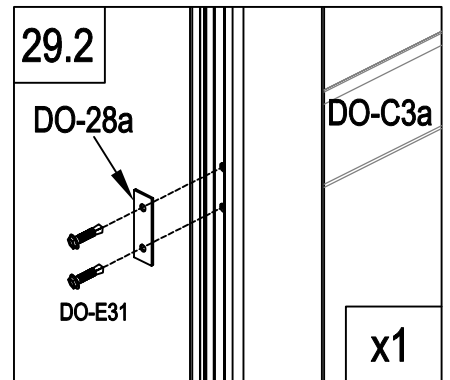
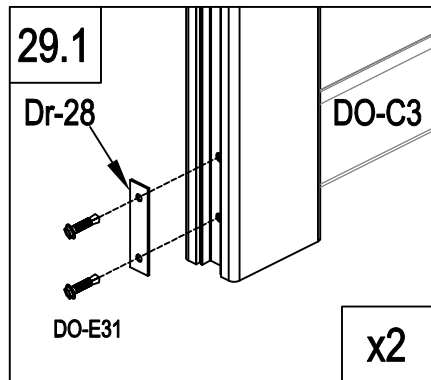
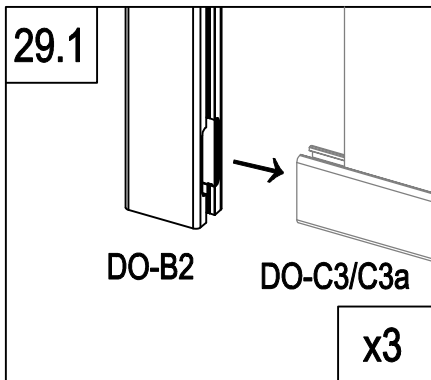
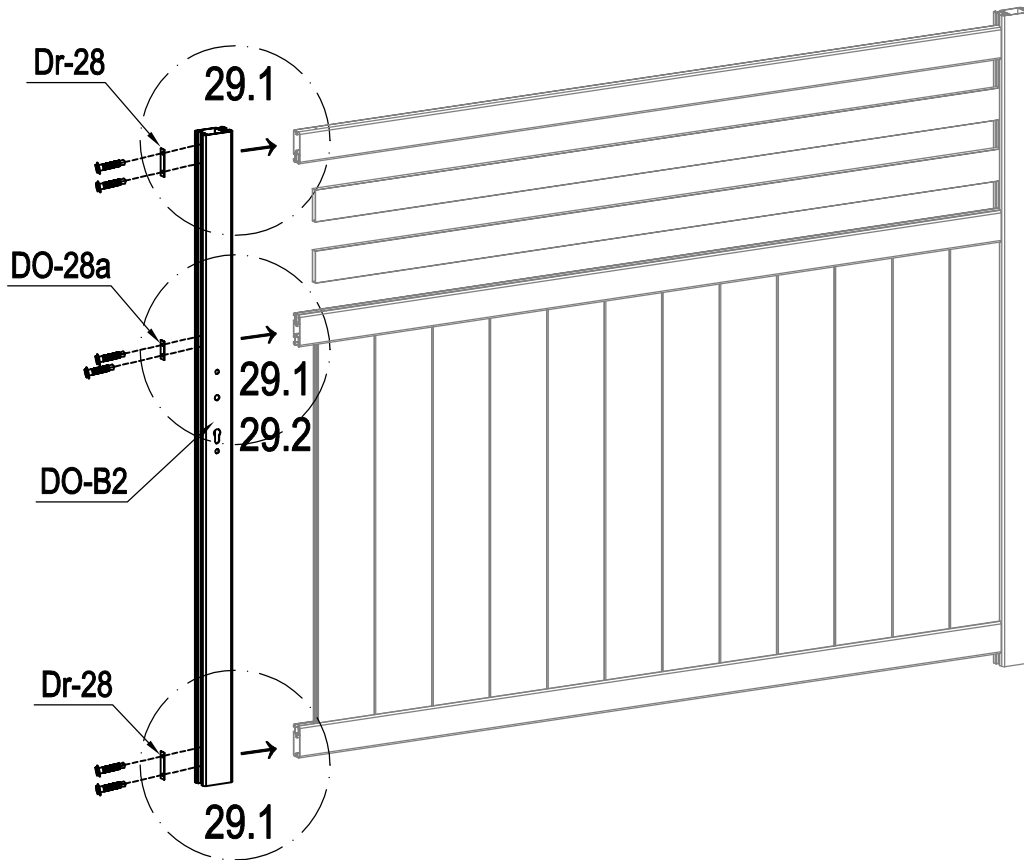


	DO-35	22
	DO-E35	24
	DO-E32	6

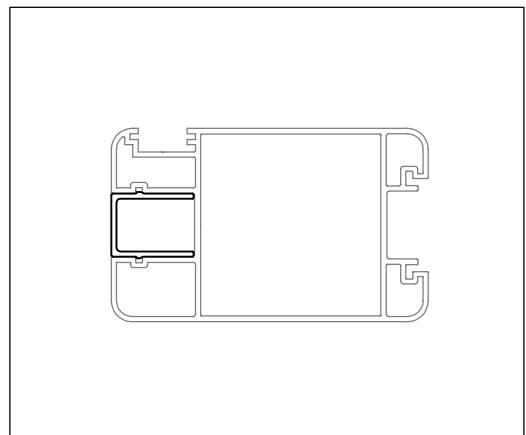
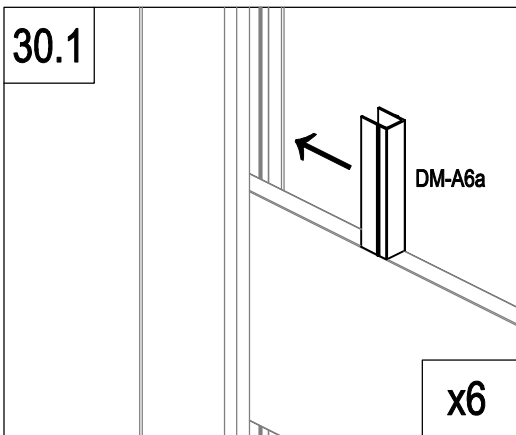
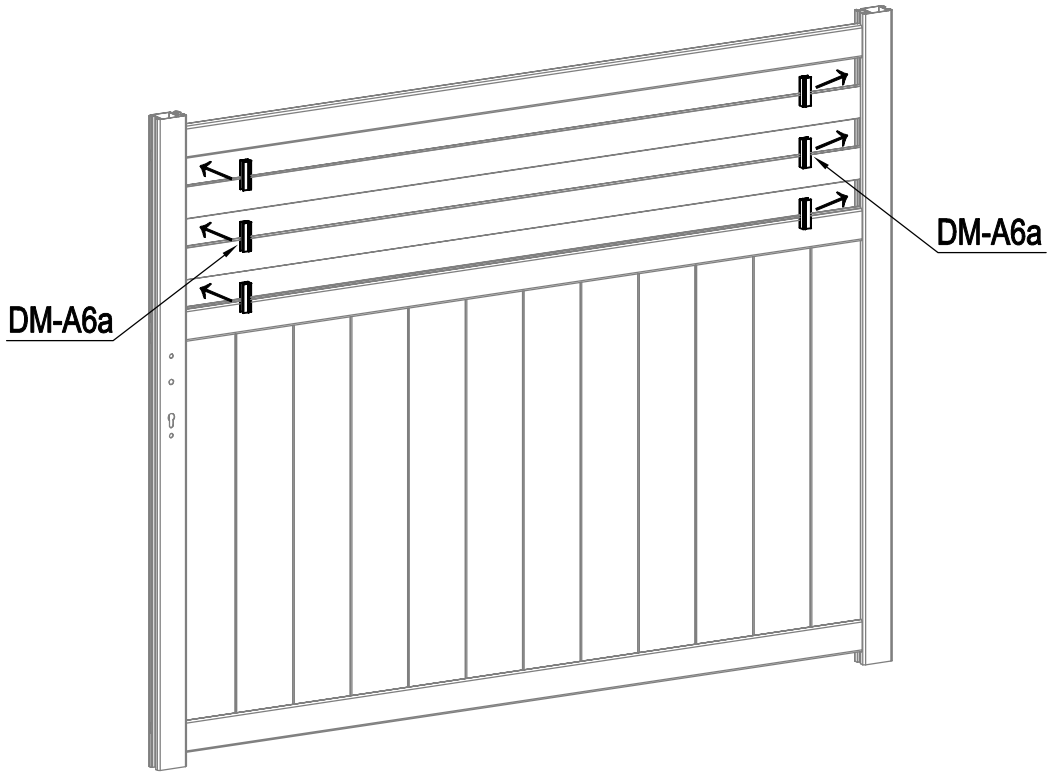




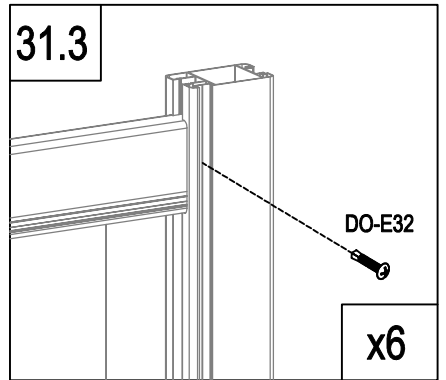
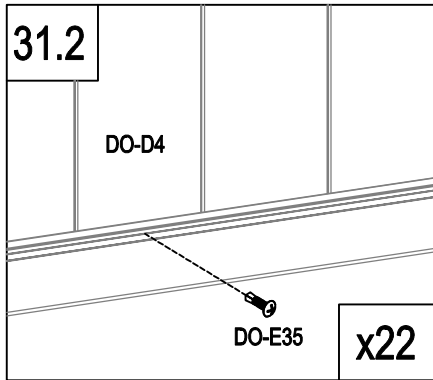
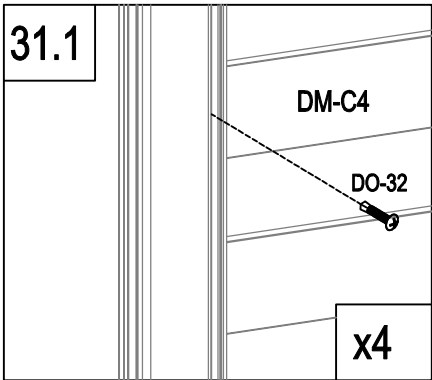
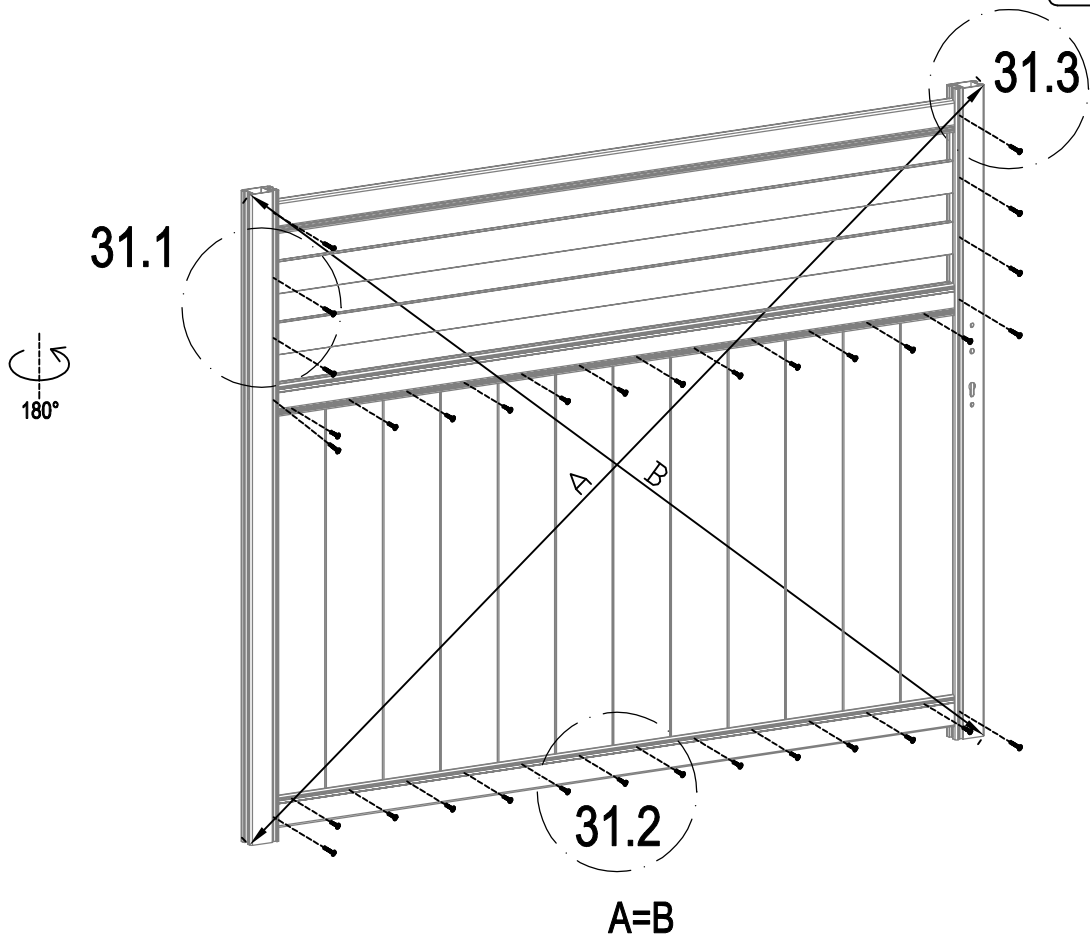
	DM-C4	2
	DM-C6	2



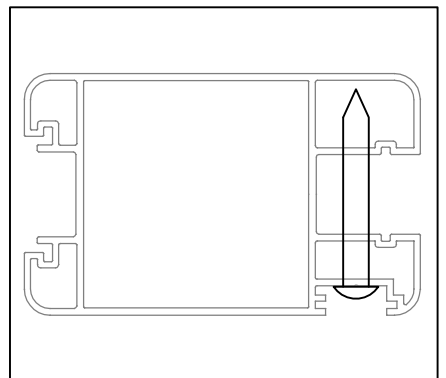
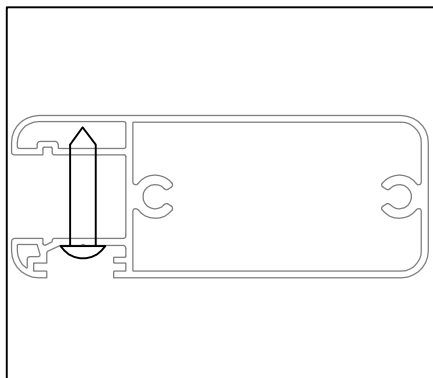
	DO-B2	1
	Dr-28	2
	DO-28a	1
	DO-E31	6

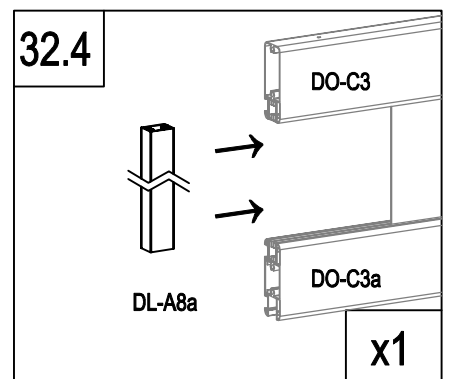
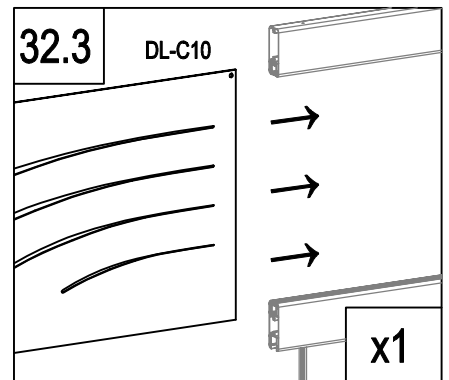
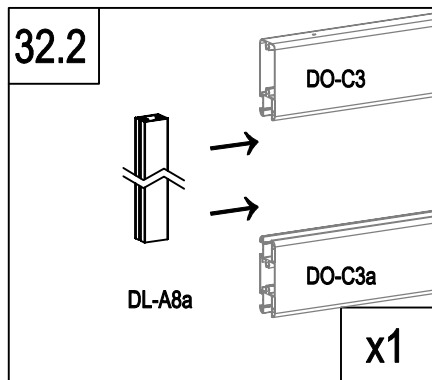
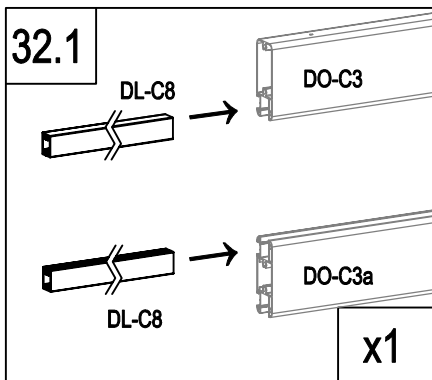
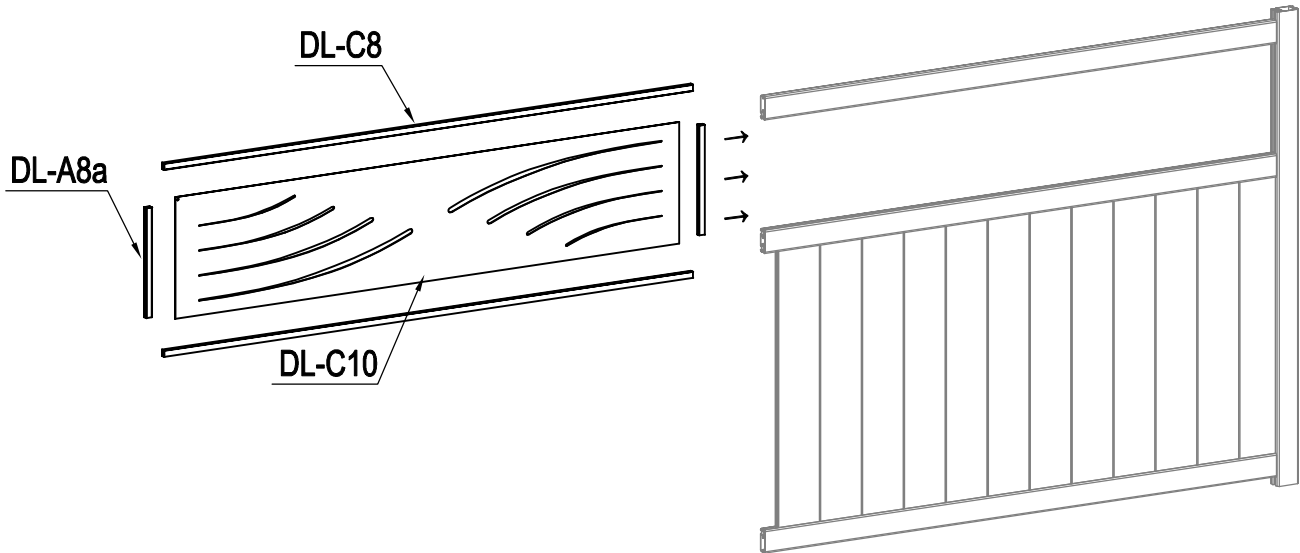


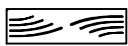
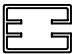
	DM-A6a	6
--	--------	---

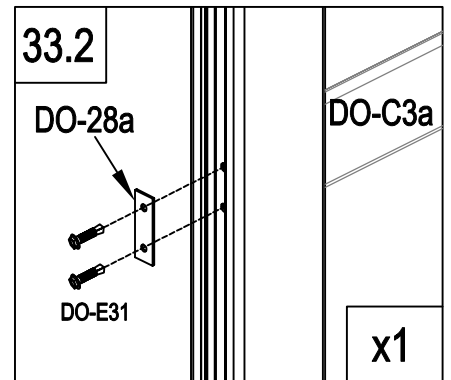
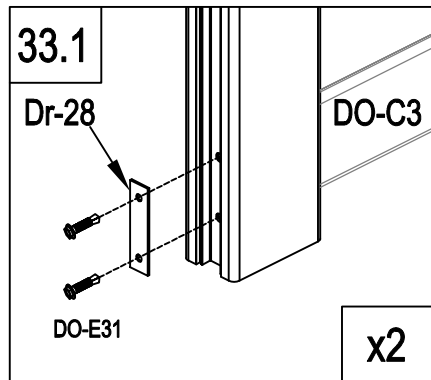
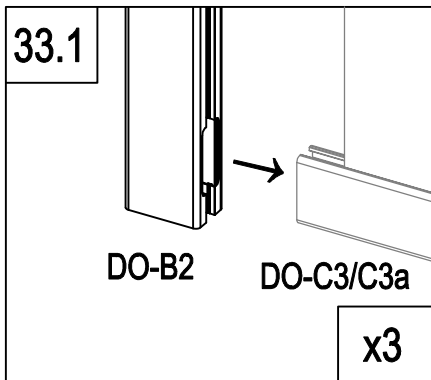
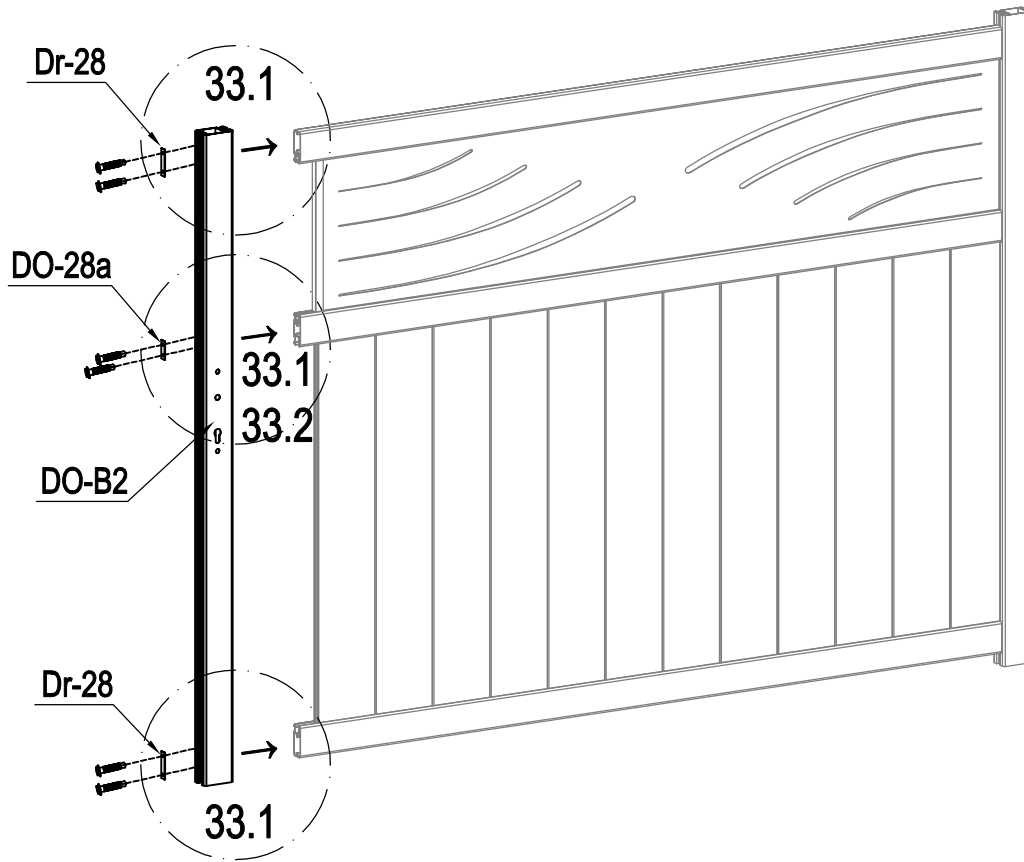


	DO-32	4
	DO-E35	22
	DO-E32	6

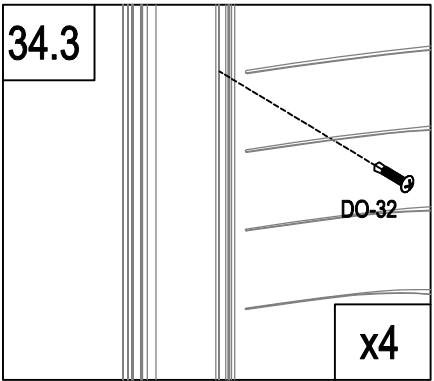
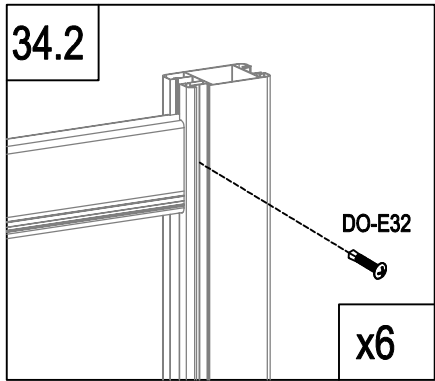
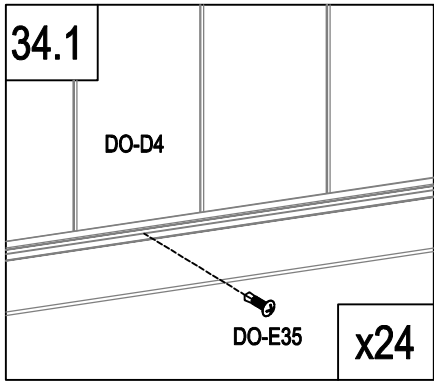
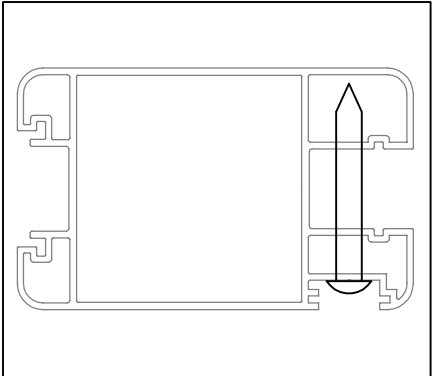
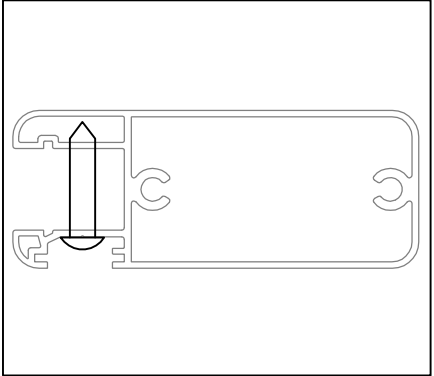
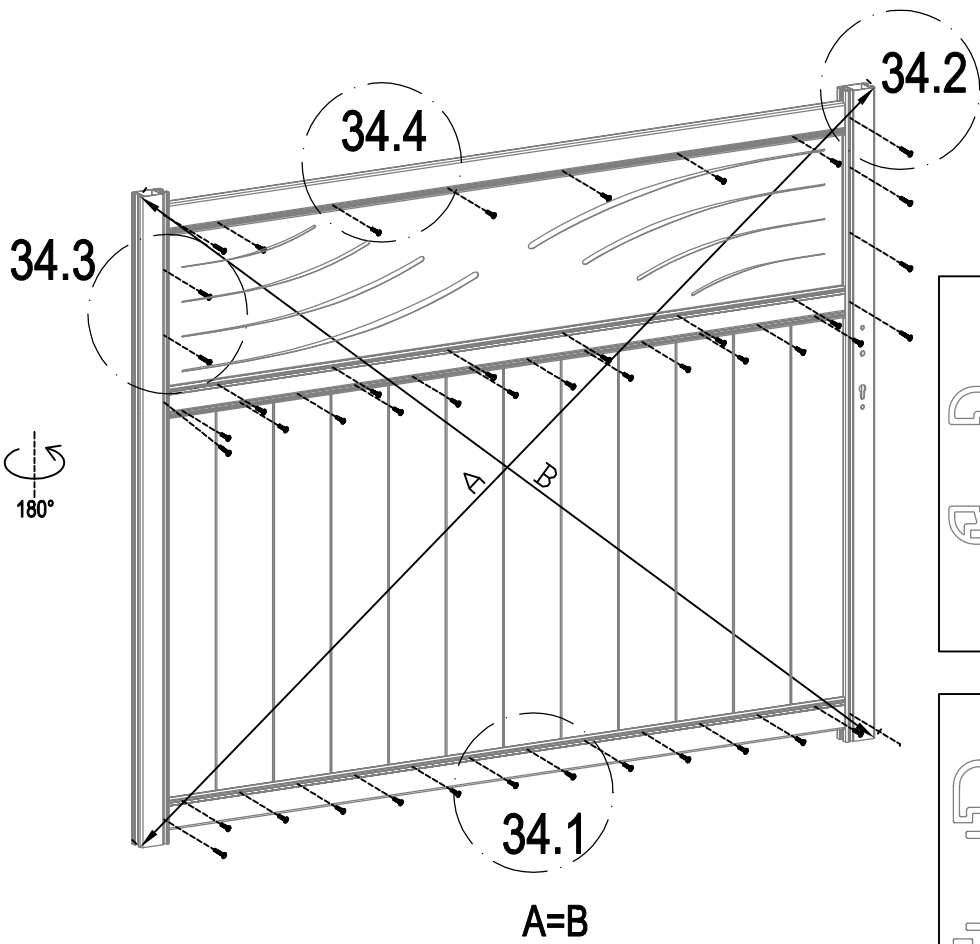




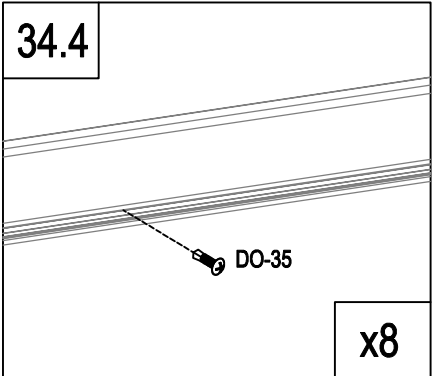
	DL-C10	1
	DL-C8	2
	DL-A8a	2

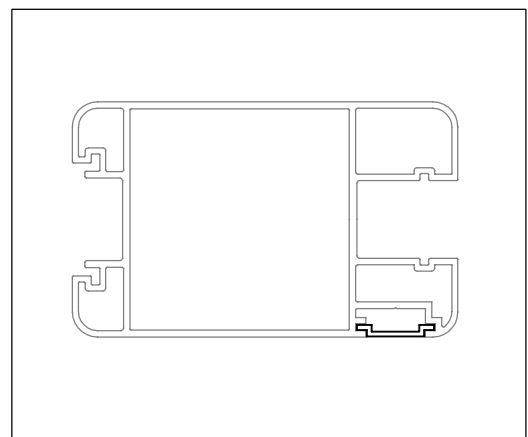
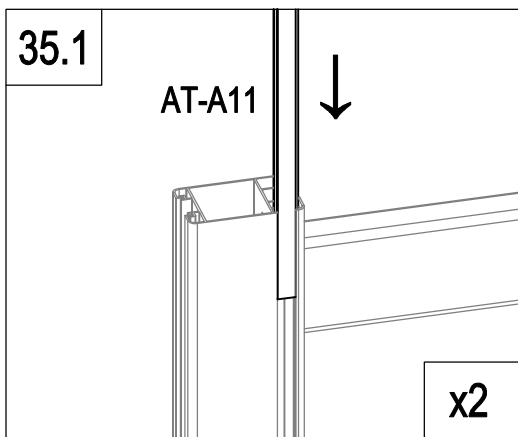
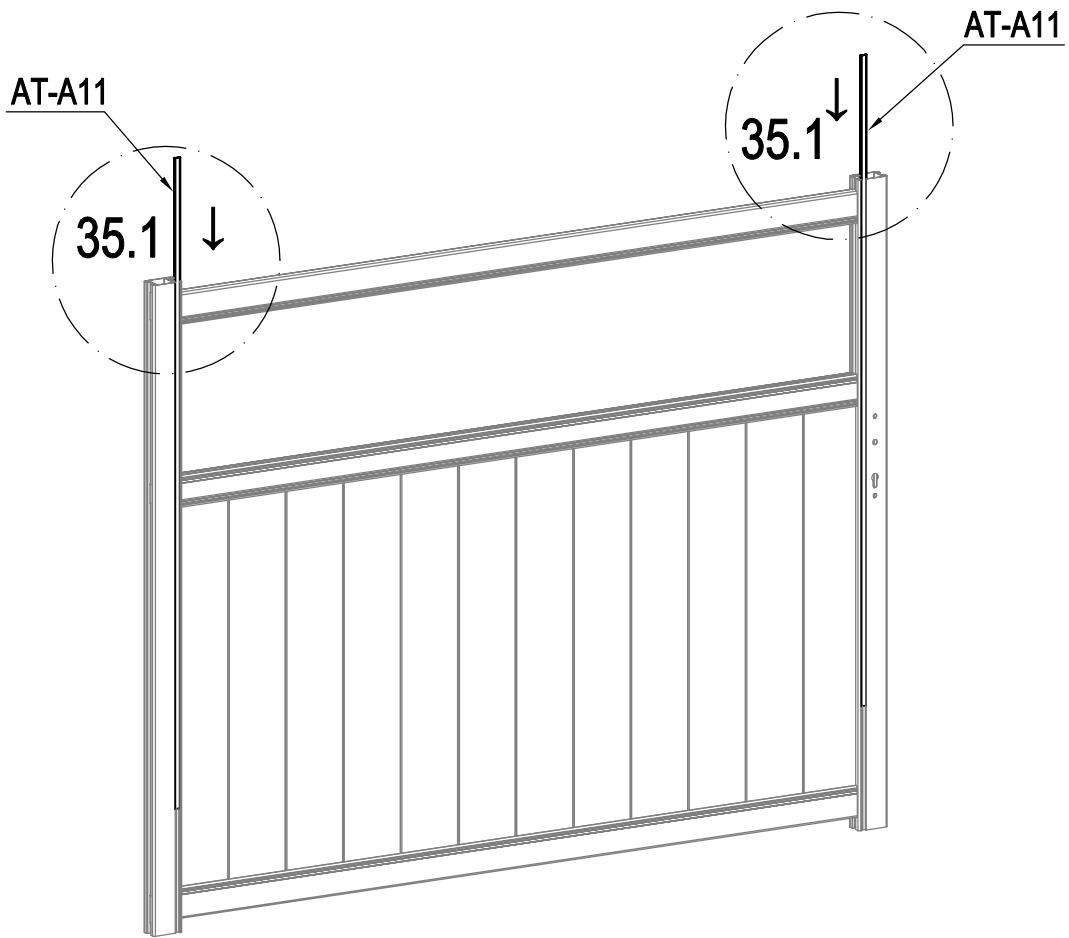


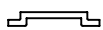
	DO-B2	1
	Dr-28	2
	DO-28a	1
	DO-E31	6

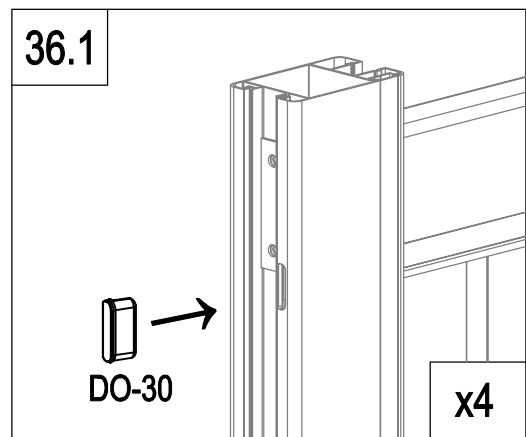
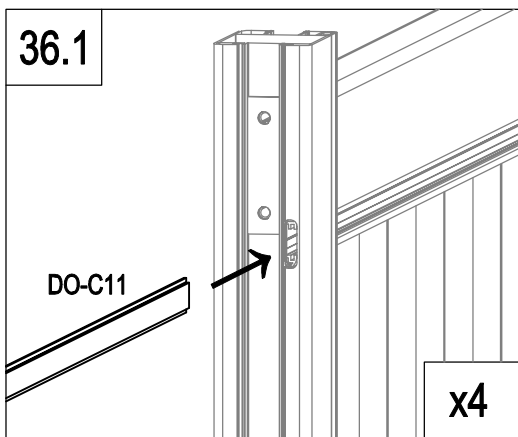
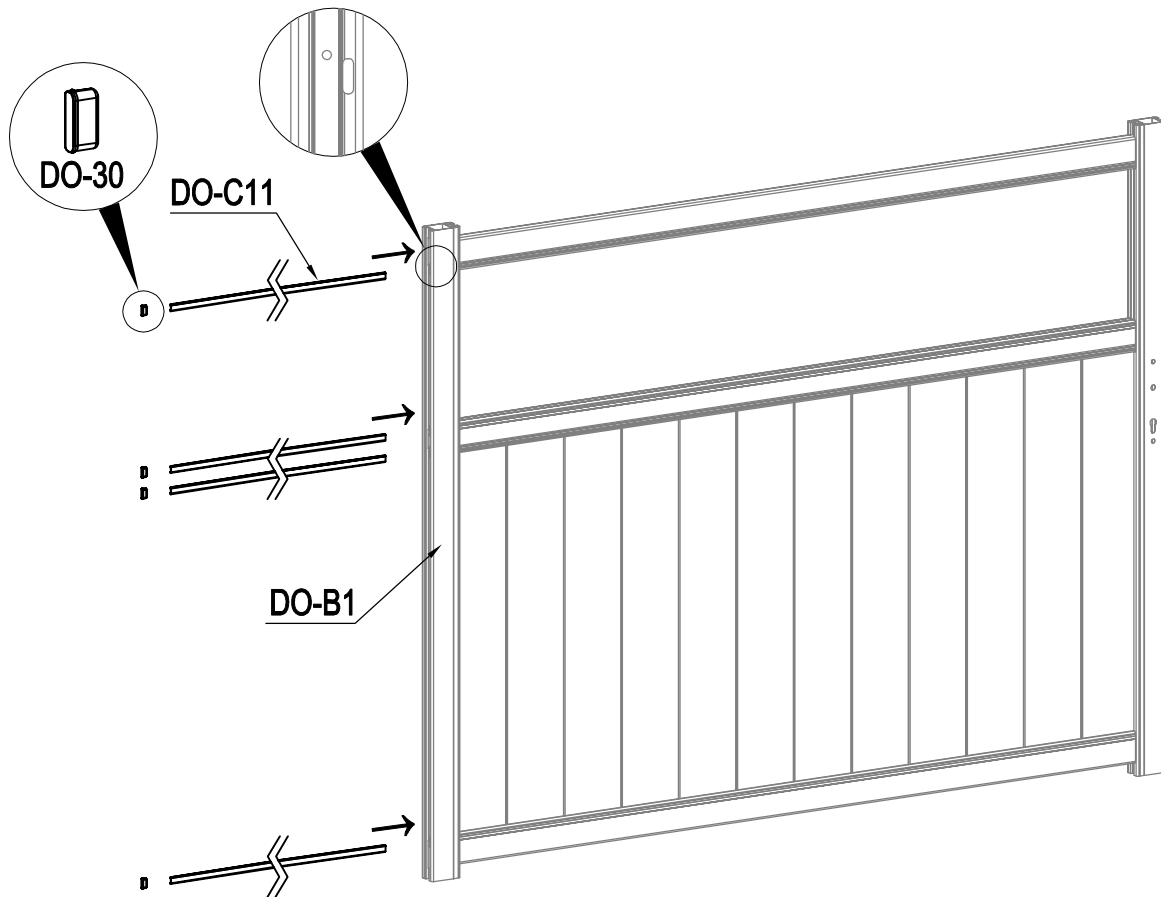


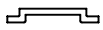
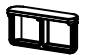
	DO-32	4
	DO-35	12
	DO-E35	24
	DO-E32	6

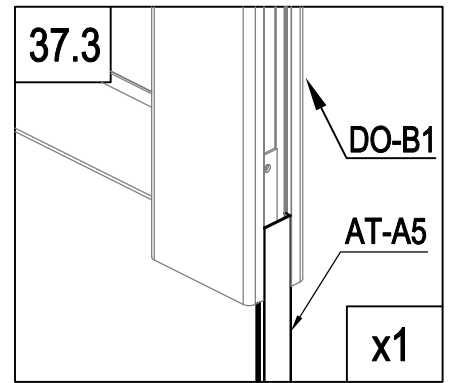
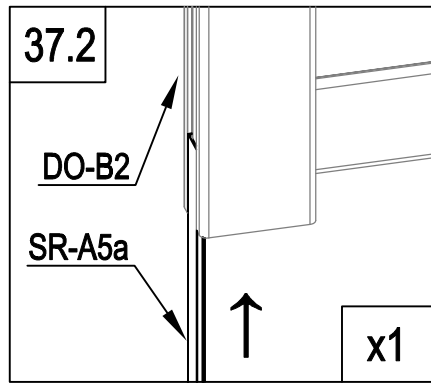
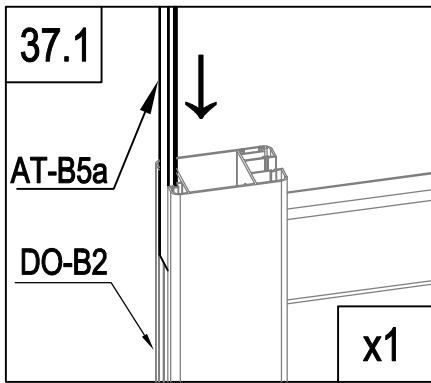
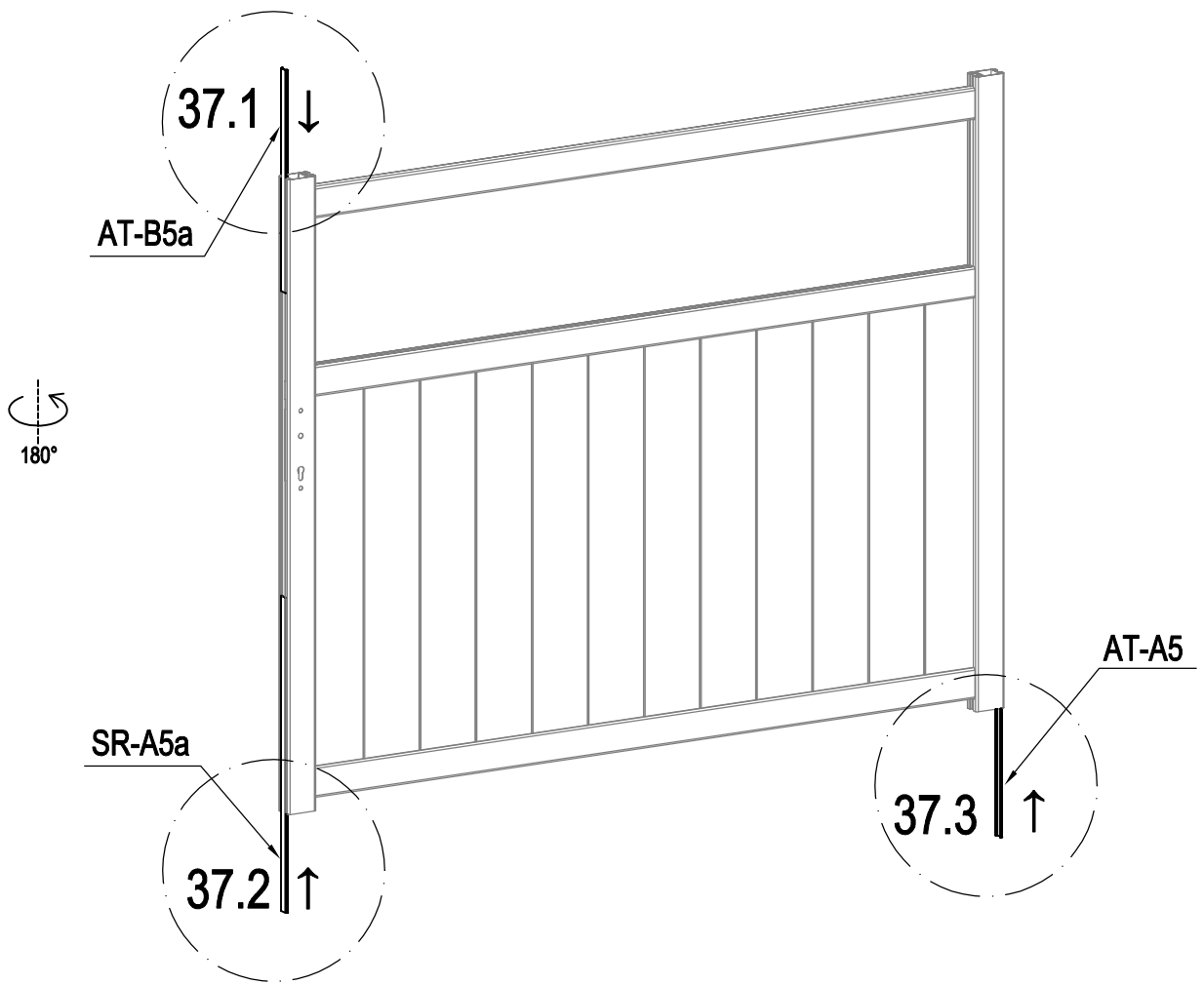


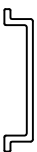


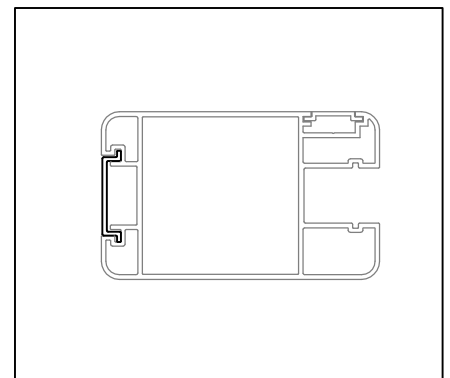
	AT-A11	2
---	---------------	----------

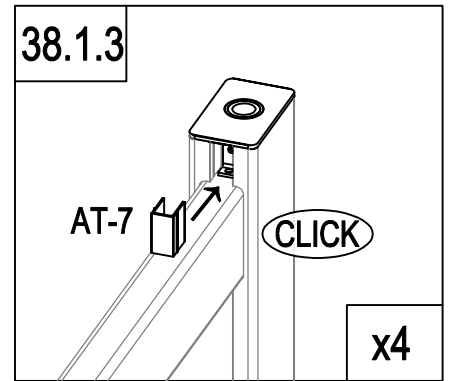
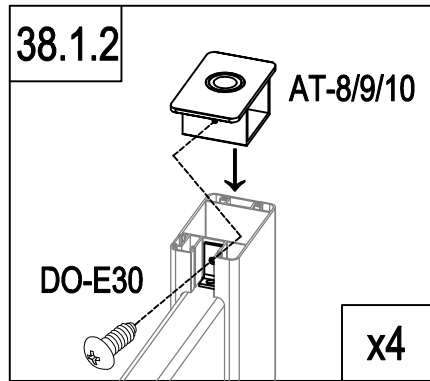
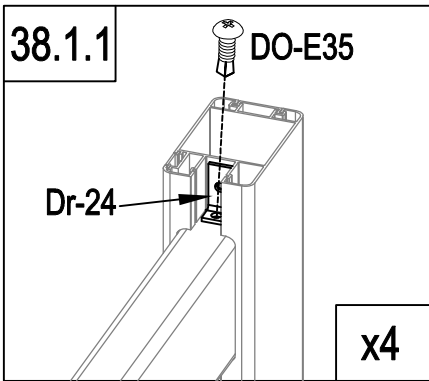
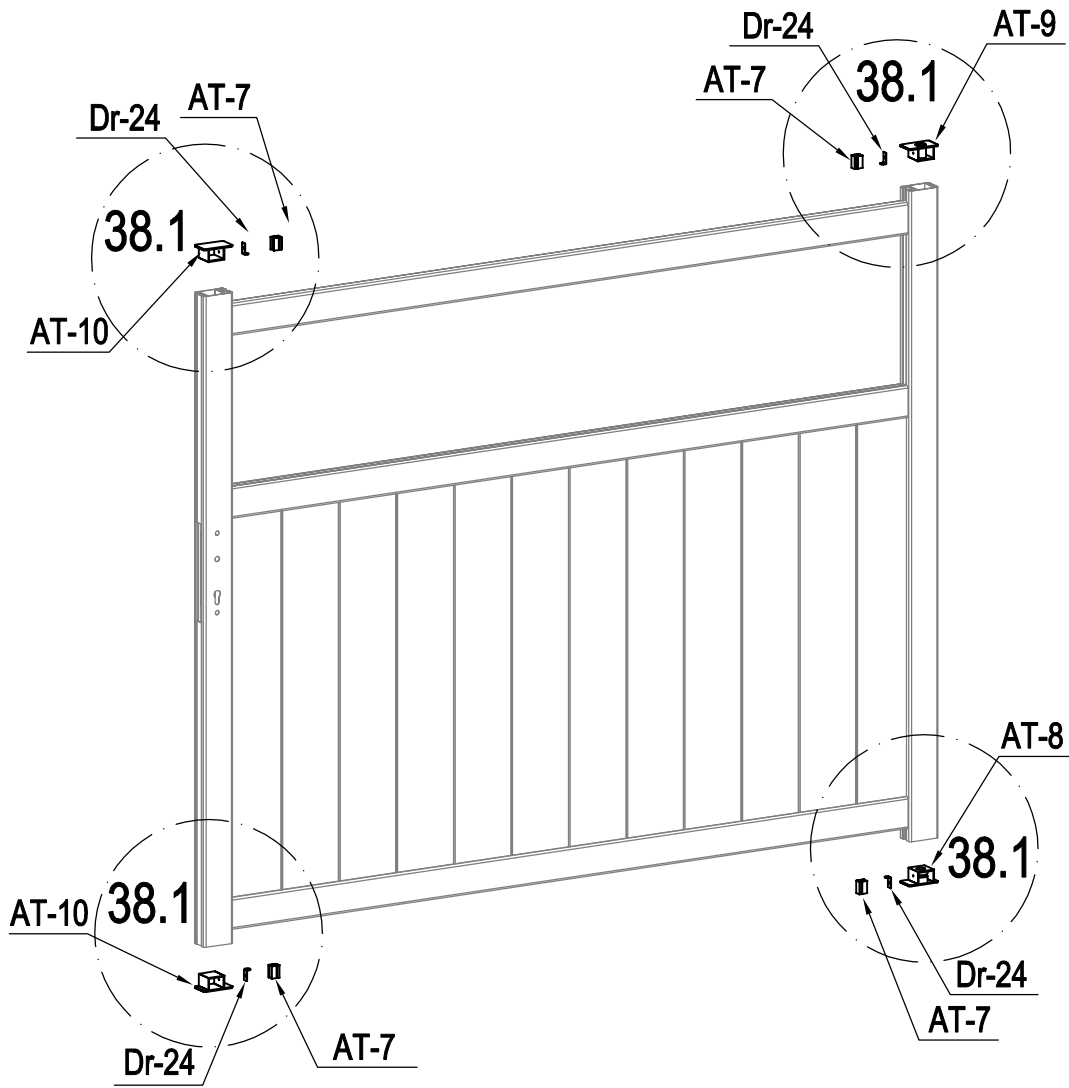


	DO-C11	4
	DO-30	4



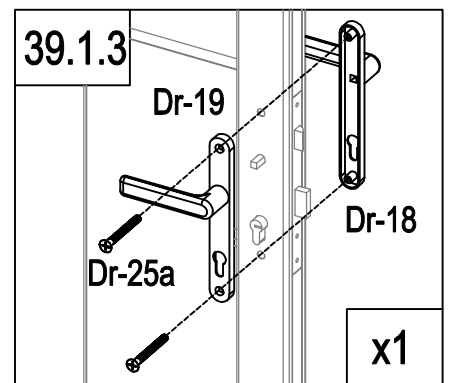
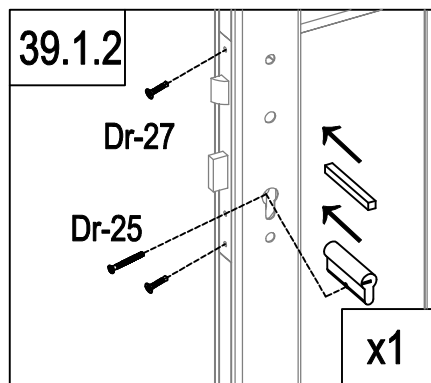
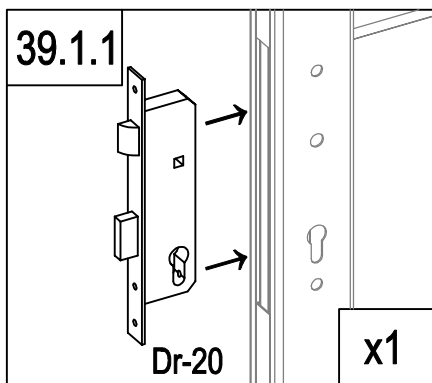
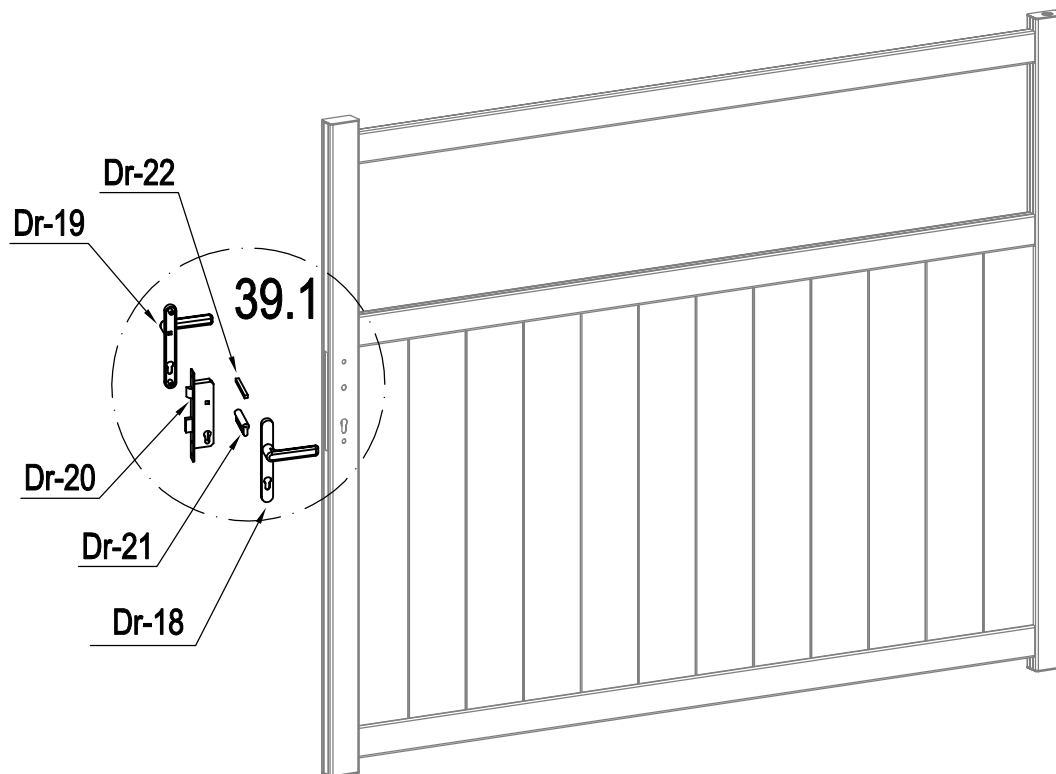
	AT-A5	1
	AT-B5a	1
	SR-A5a	1





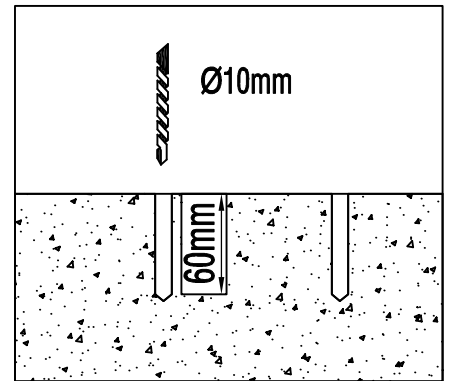
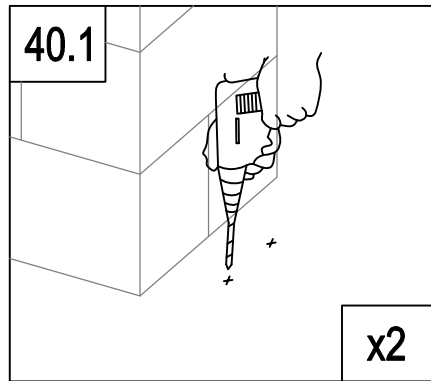
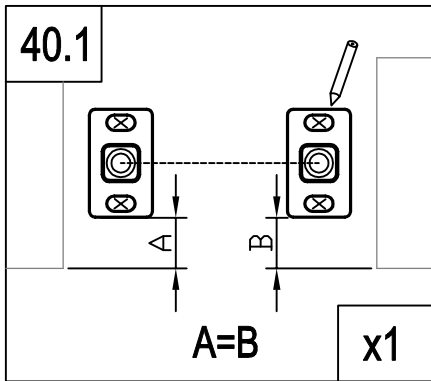
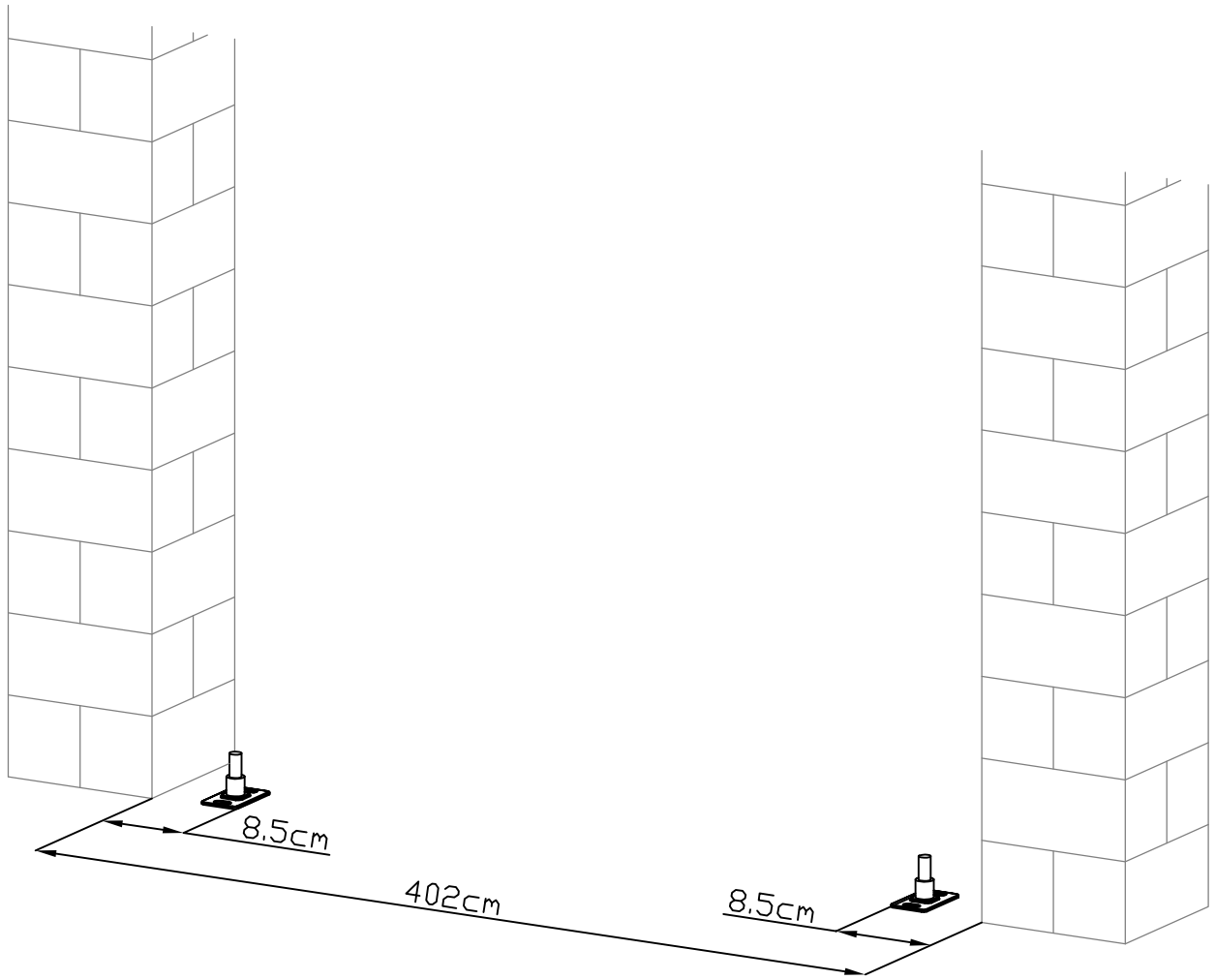
	AT-8	1
	AT-9	1
	AT-10	2
	Dr-24	4

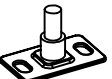

	AT-7	4
	DO-E30	4
	DO-E35	4

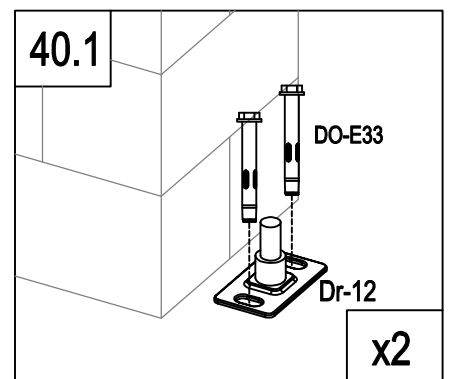


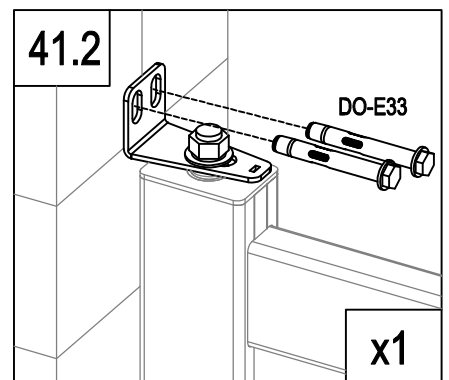
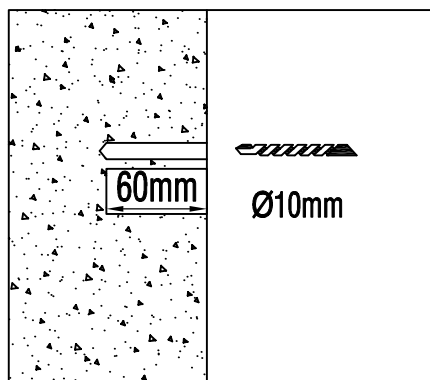
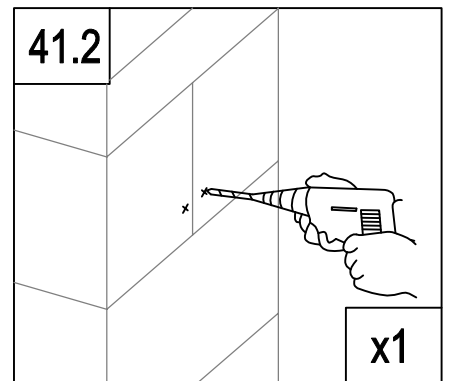
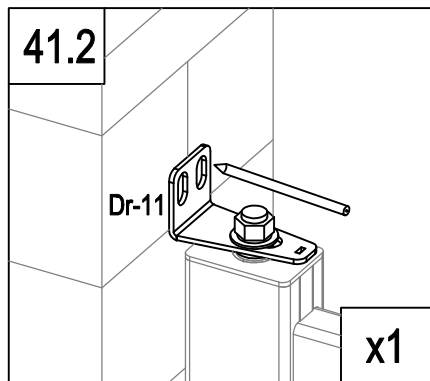
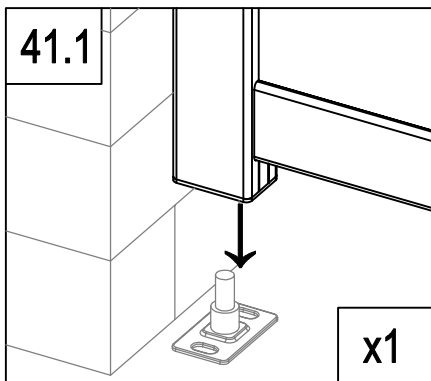
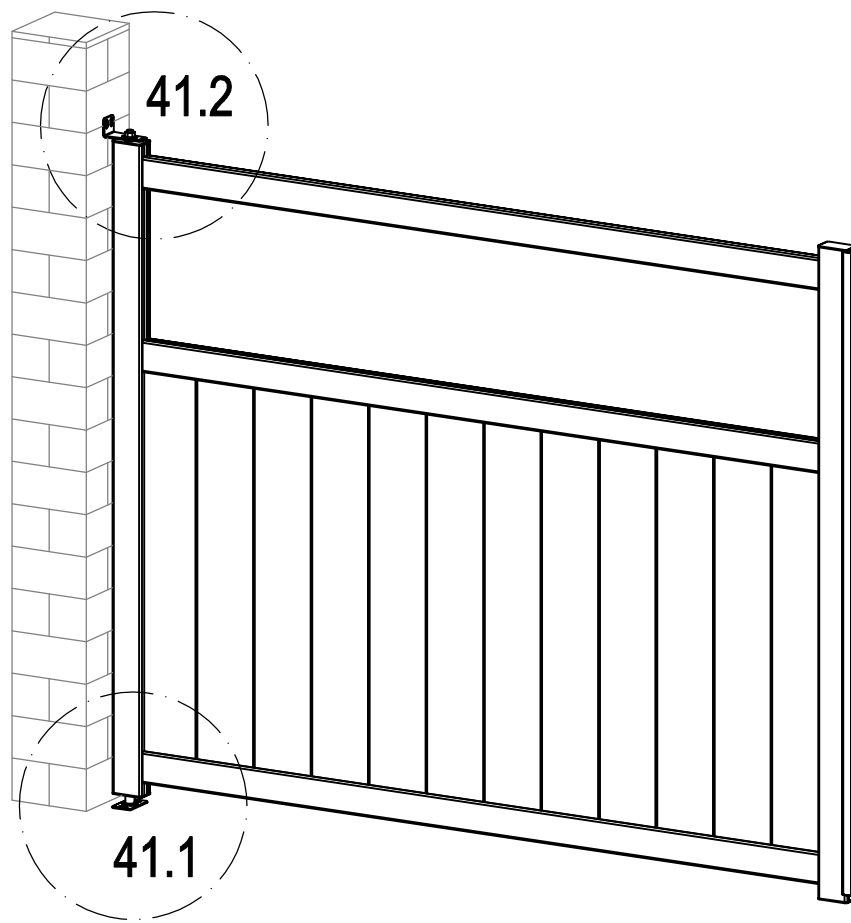
	Dr-20	1
	Dr-21	1
	Dr-22	1
	Dr-25	1



	Dr-18	1
	Dr-19	1
	Dr-25a	2
	Dr-27	2

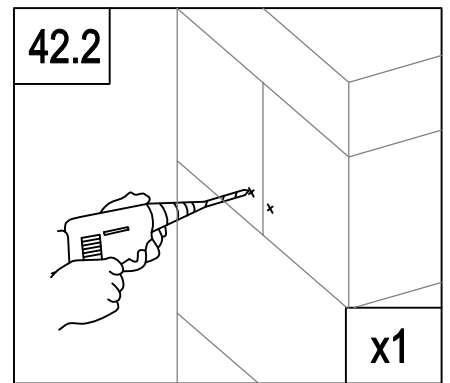
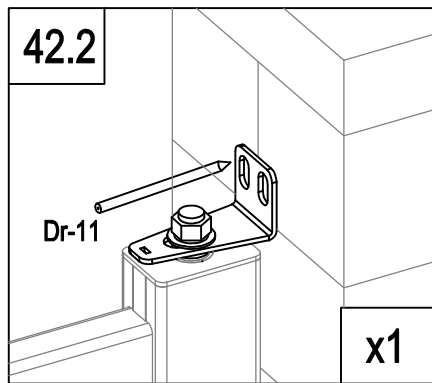
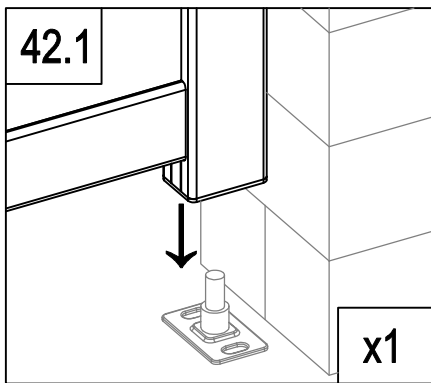
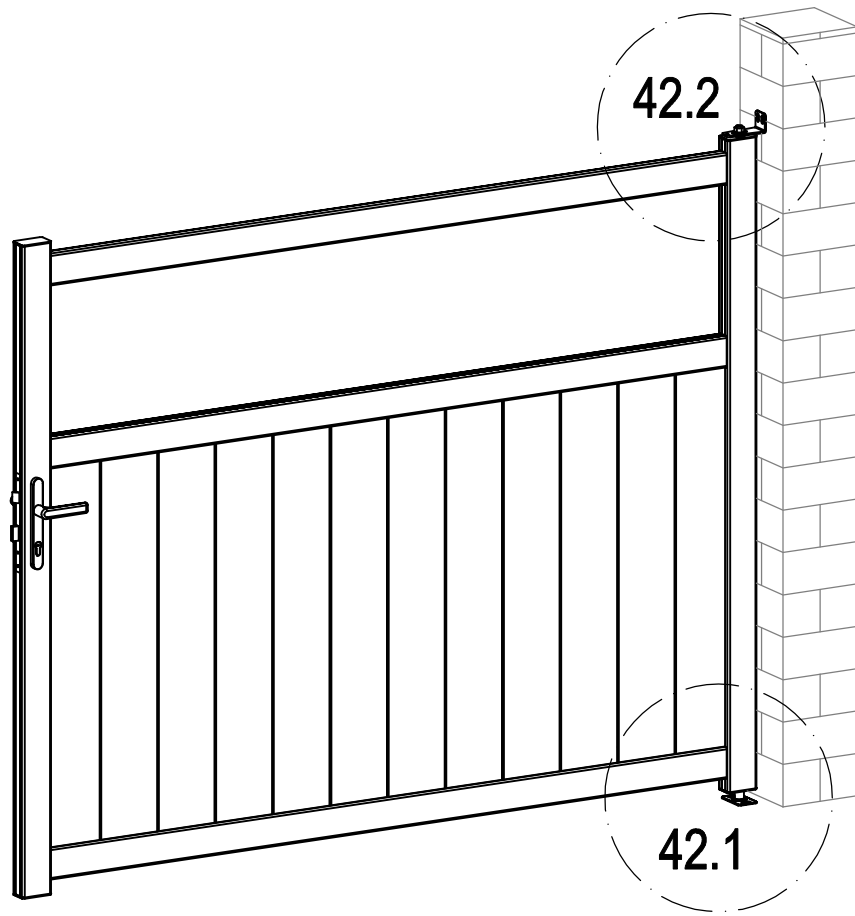


	Dr-12	2
	DO-E33	4

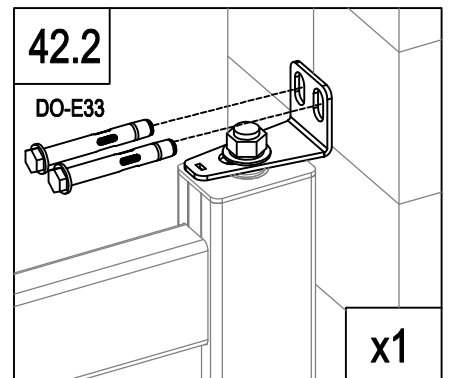
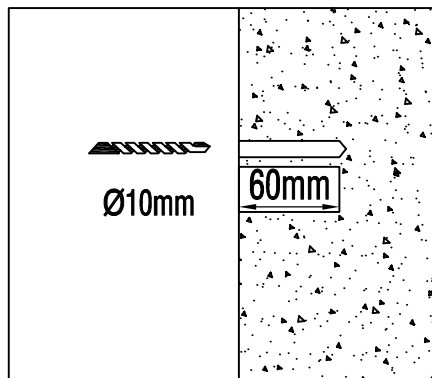


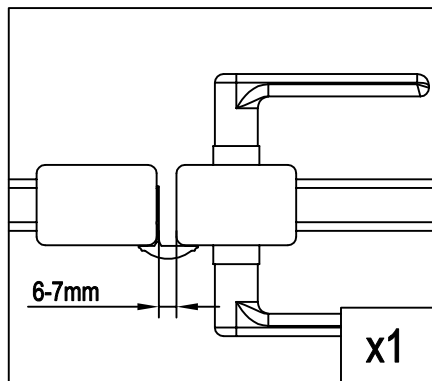
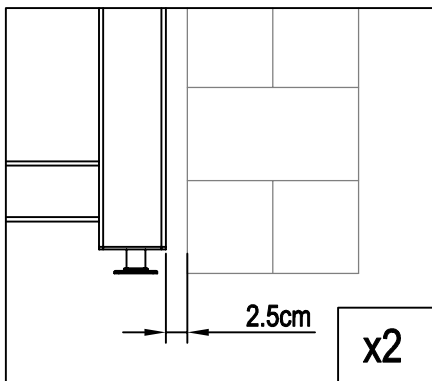
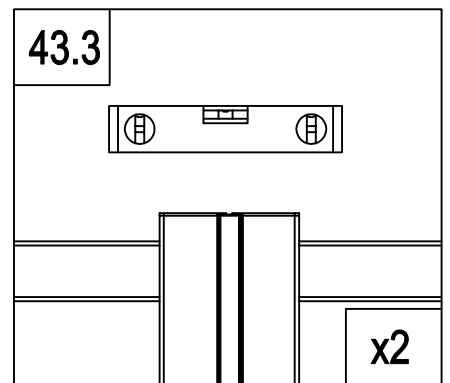
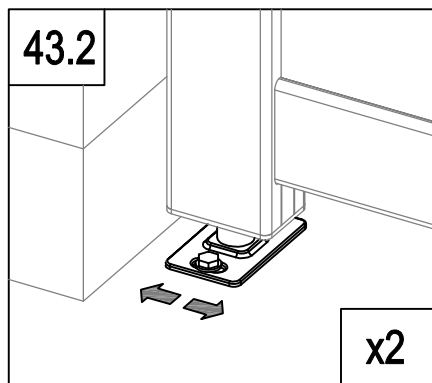
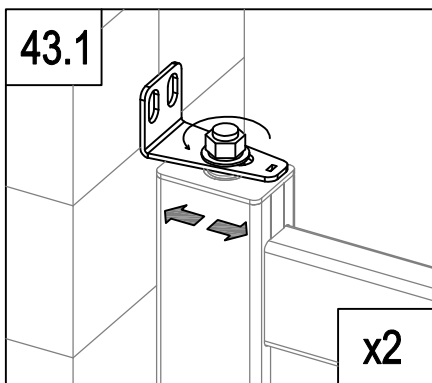
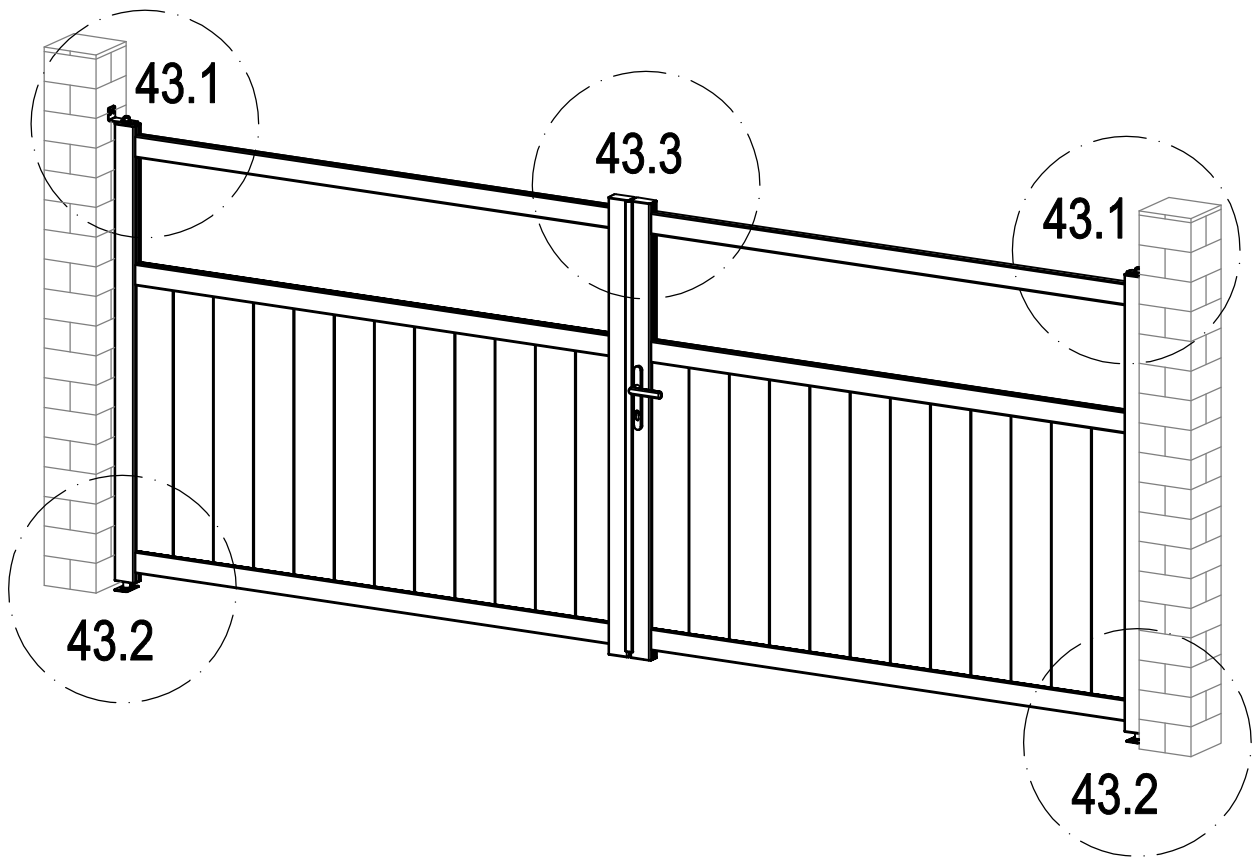


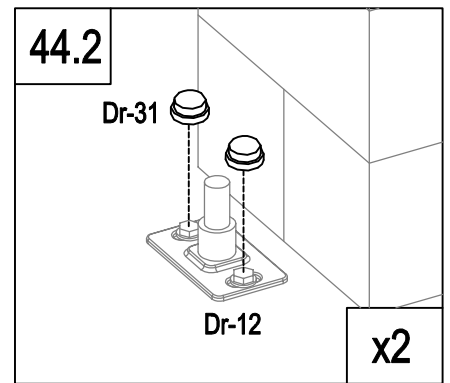
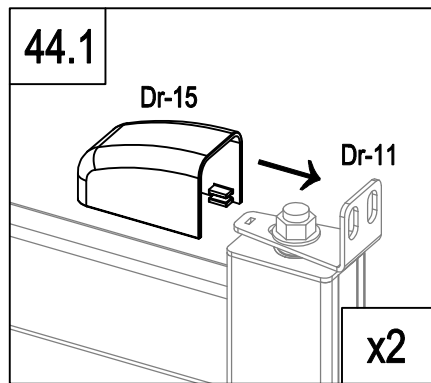
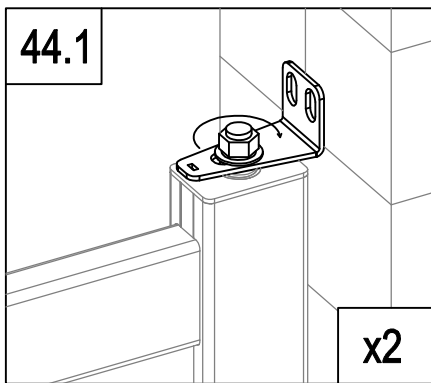
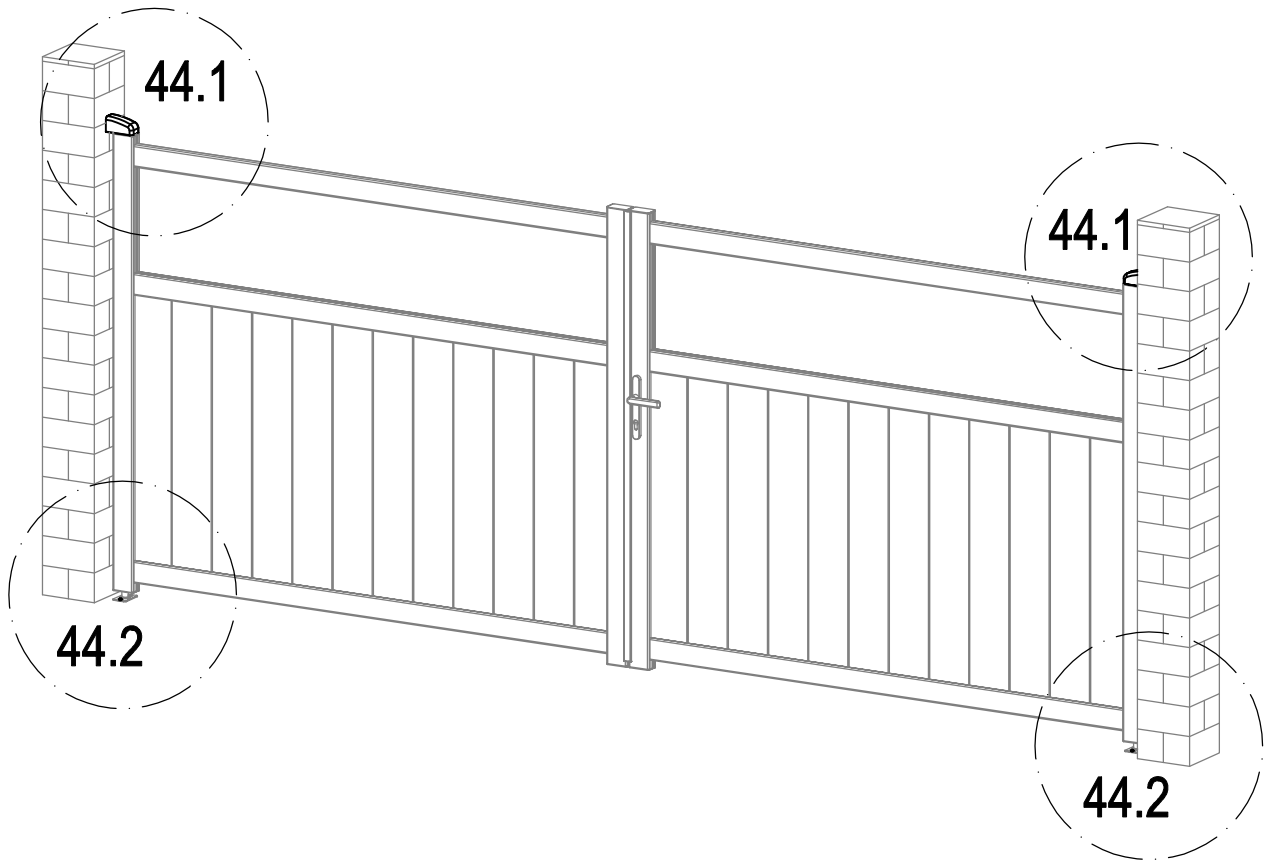
	Dr-11	1
	DO-E33	2





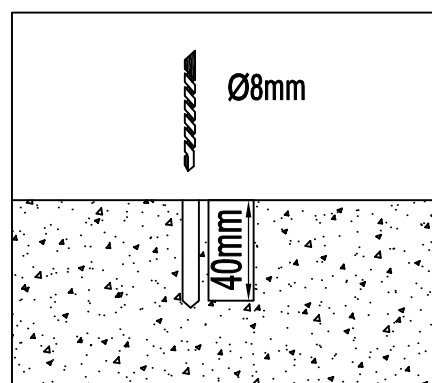
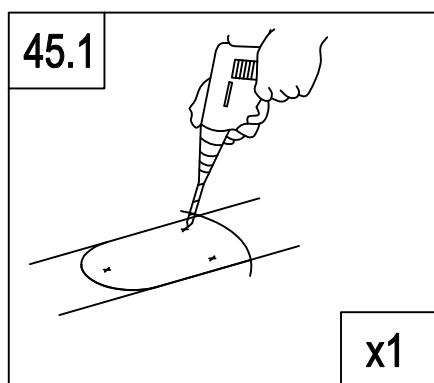
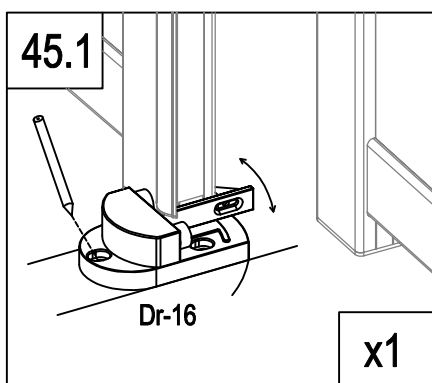
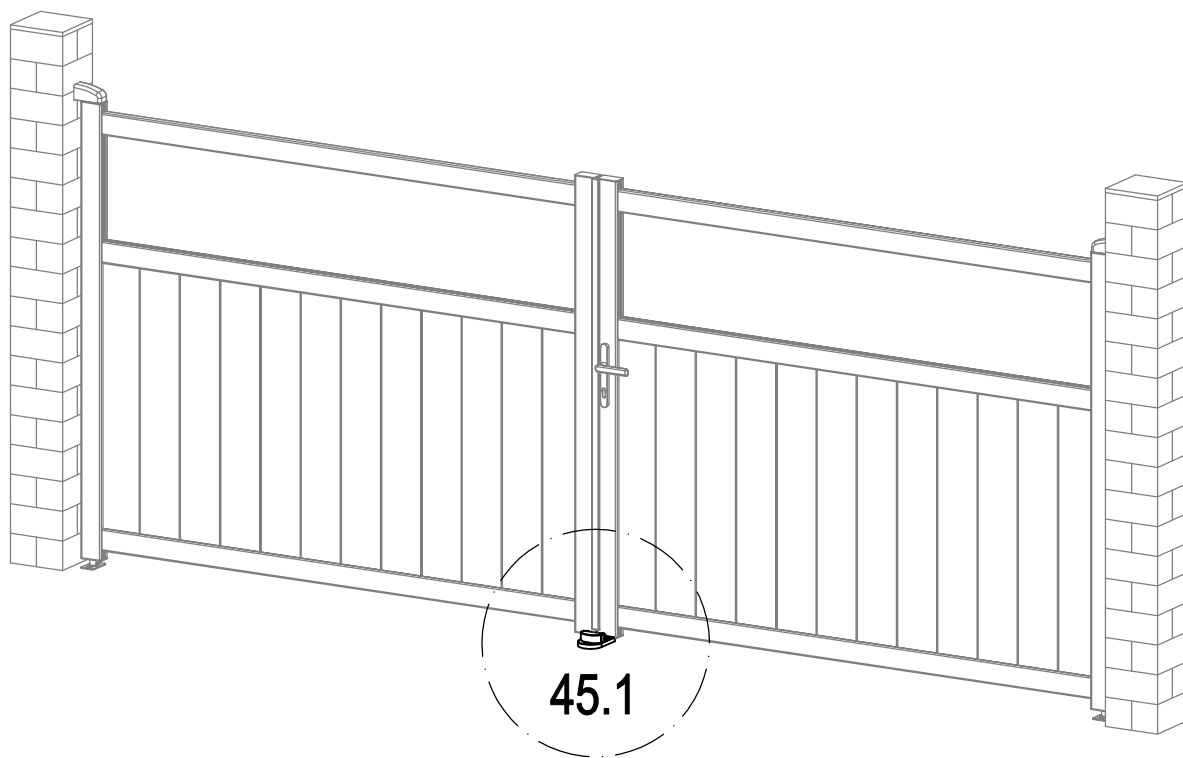
	Dr-11	1
	DO-E33	2



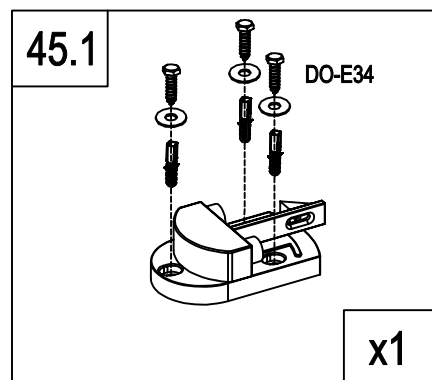


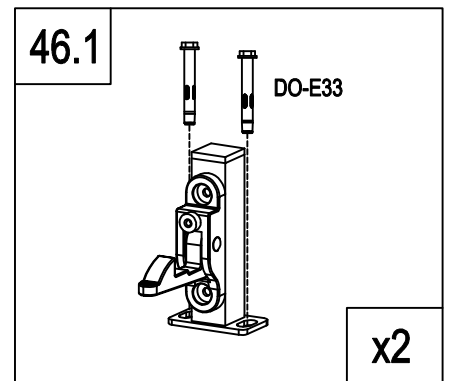
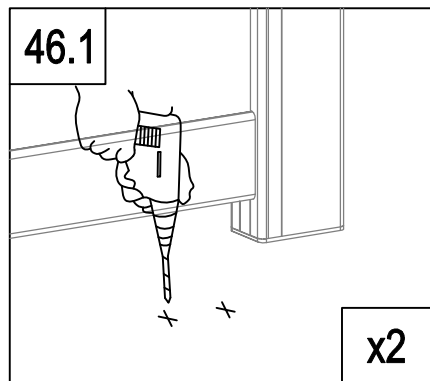
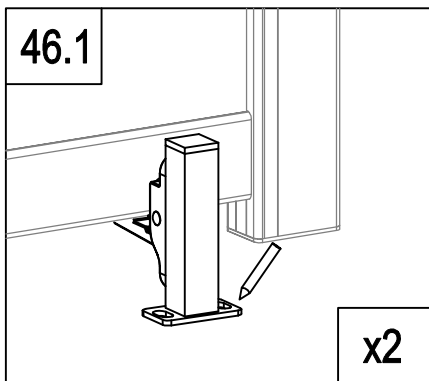
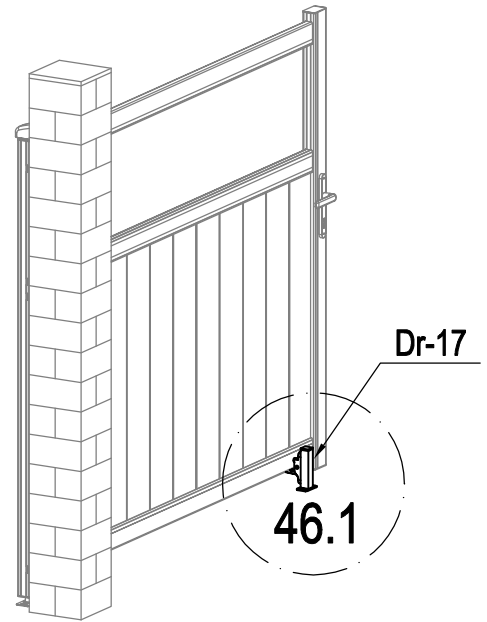
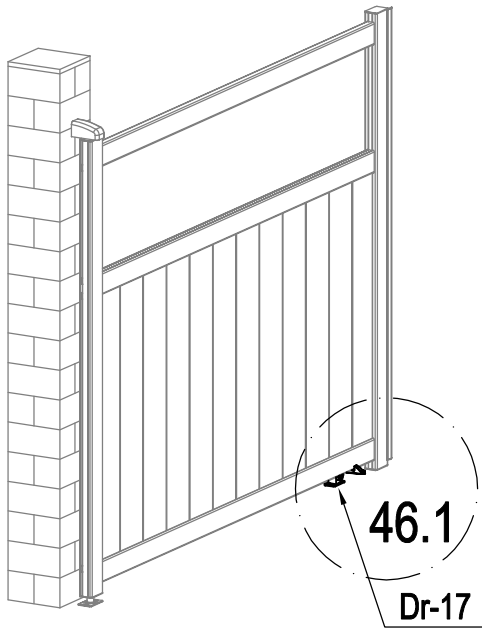




	Dr-15	2
	Dr-31	4



	Dr-16	1
	DO-E34	3
	DO-E36	3





	DO-E33	4
	Dr-17	2