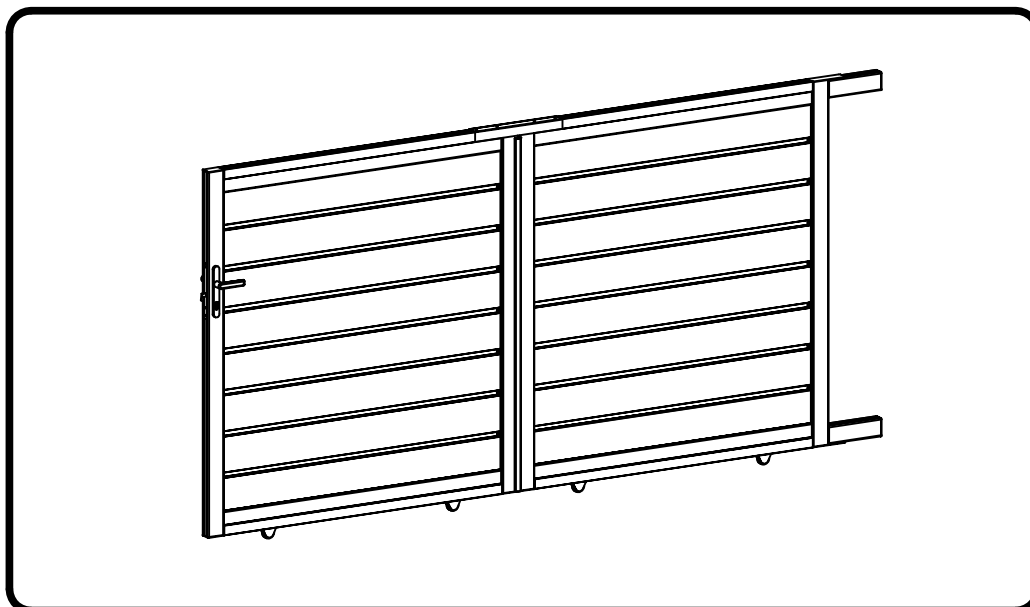


CASANOVO

VOGEL 300C160



7-8H



x2

COM-000034

[x1]

COM-000035

[x1]

COM-000036

[x1]

FR

EN

ES

DE

IT

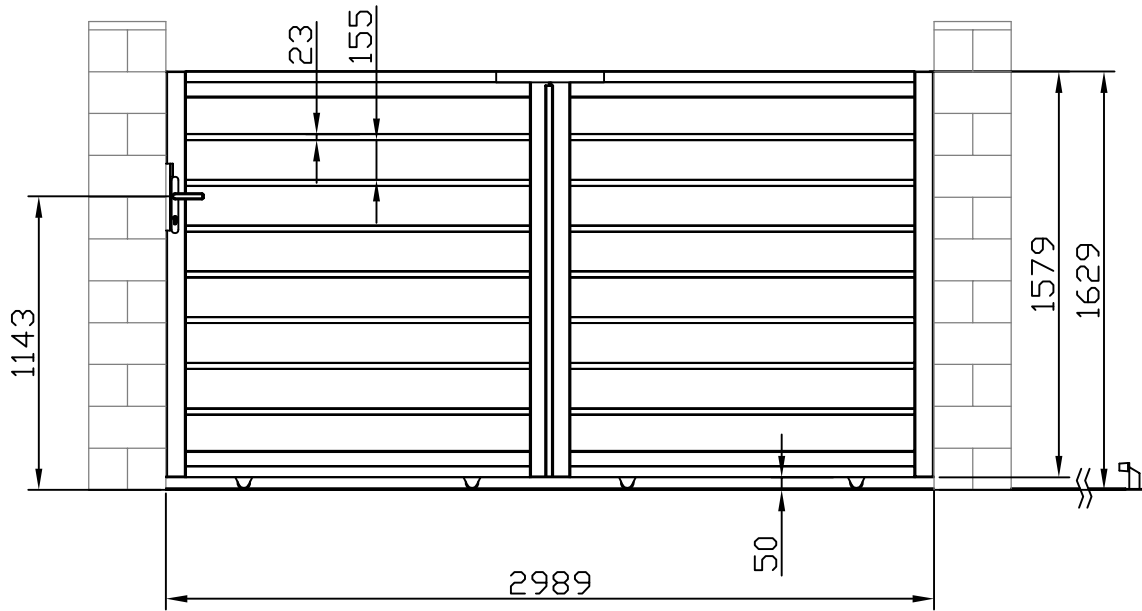
NL

PL

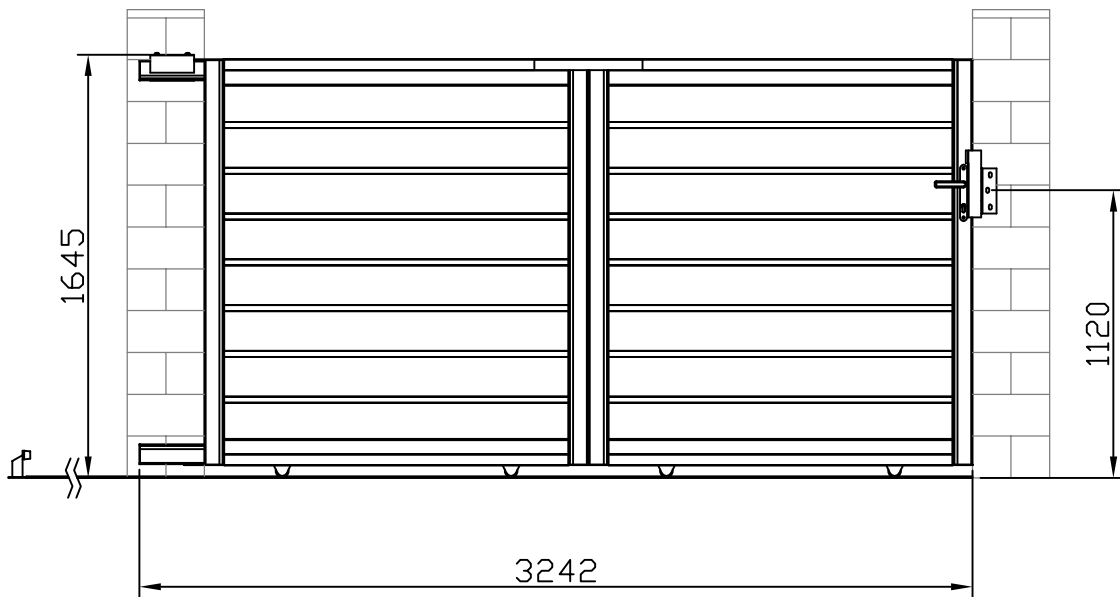
PT

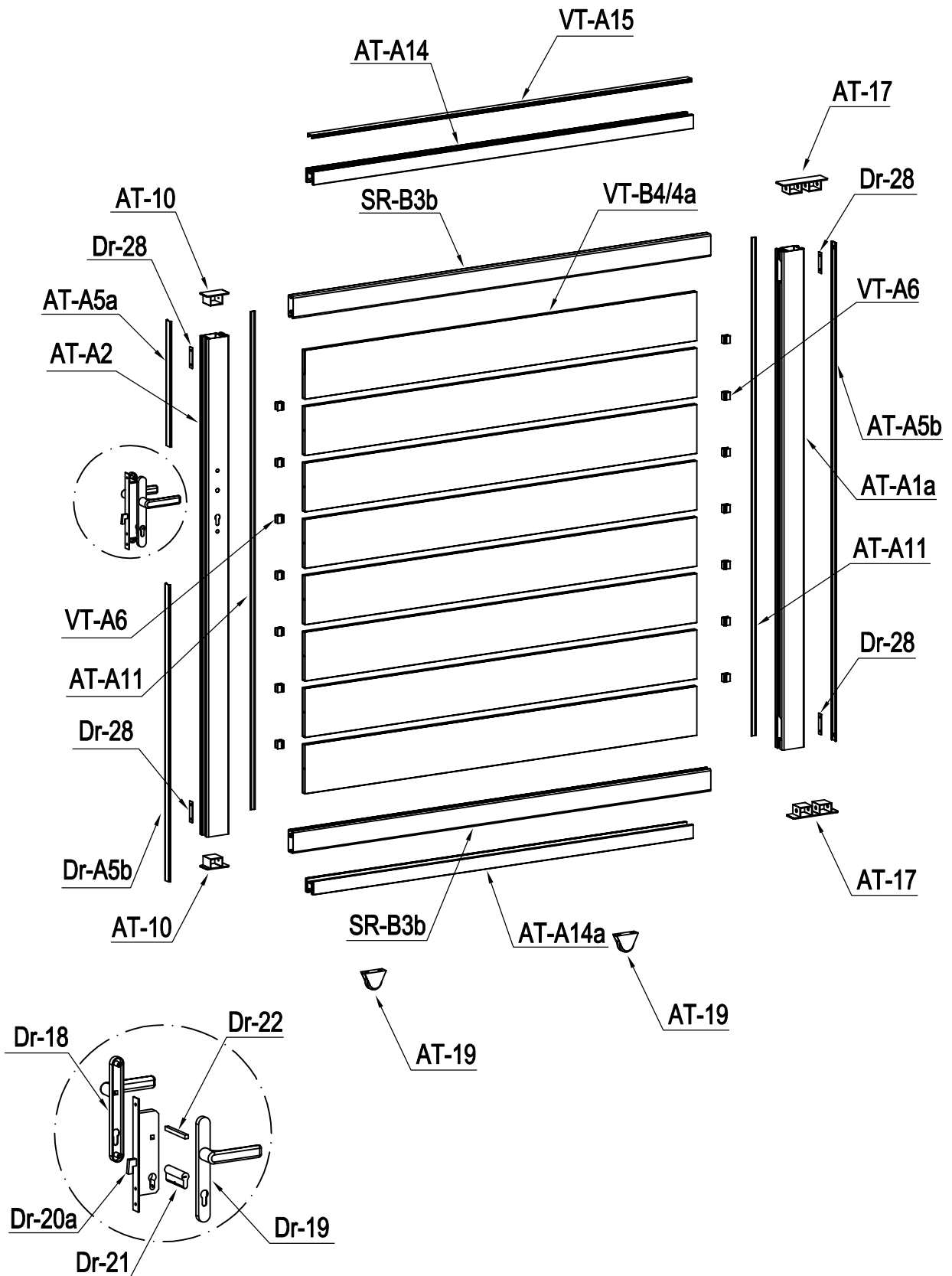


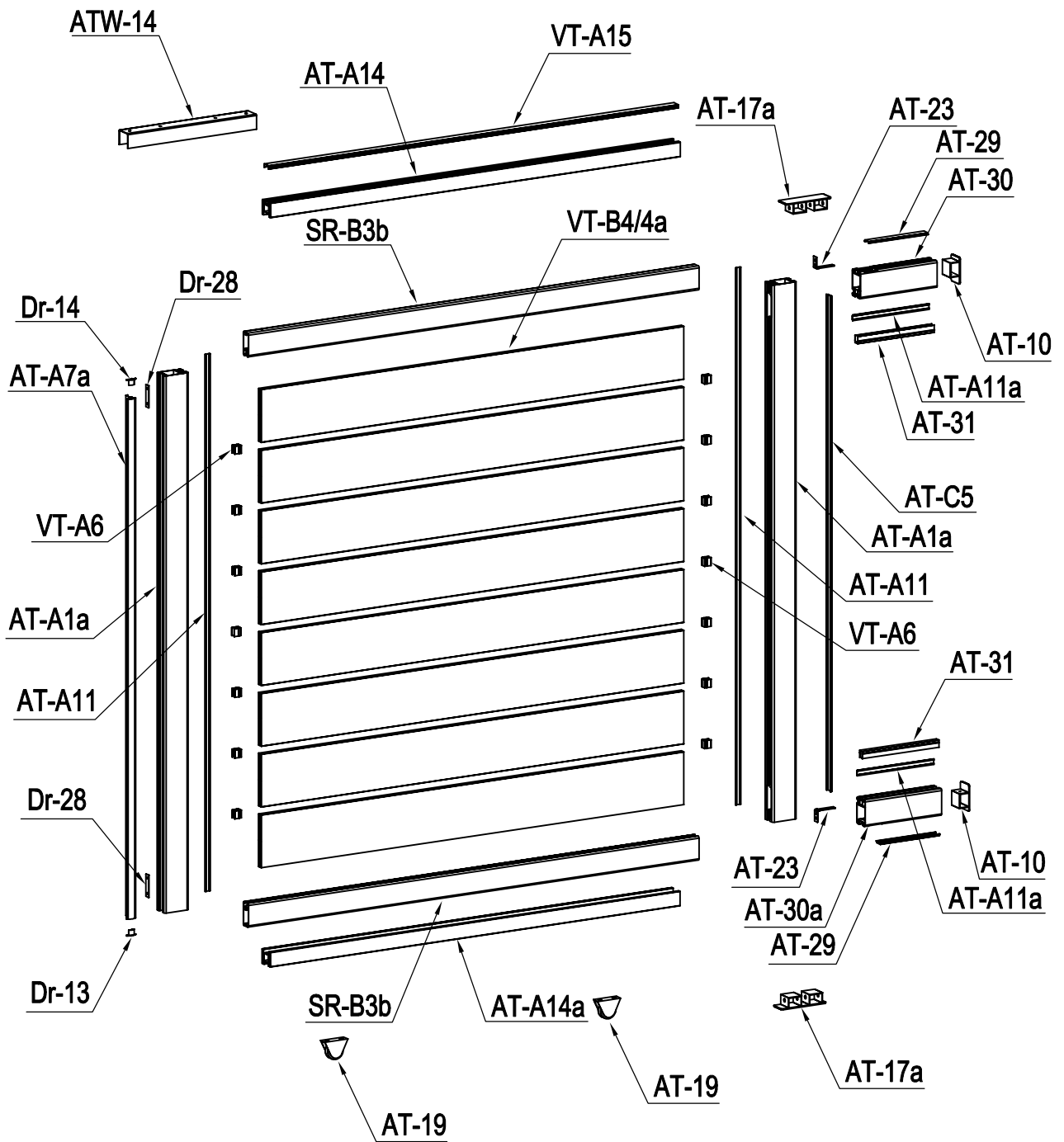
Ext.

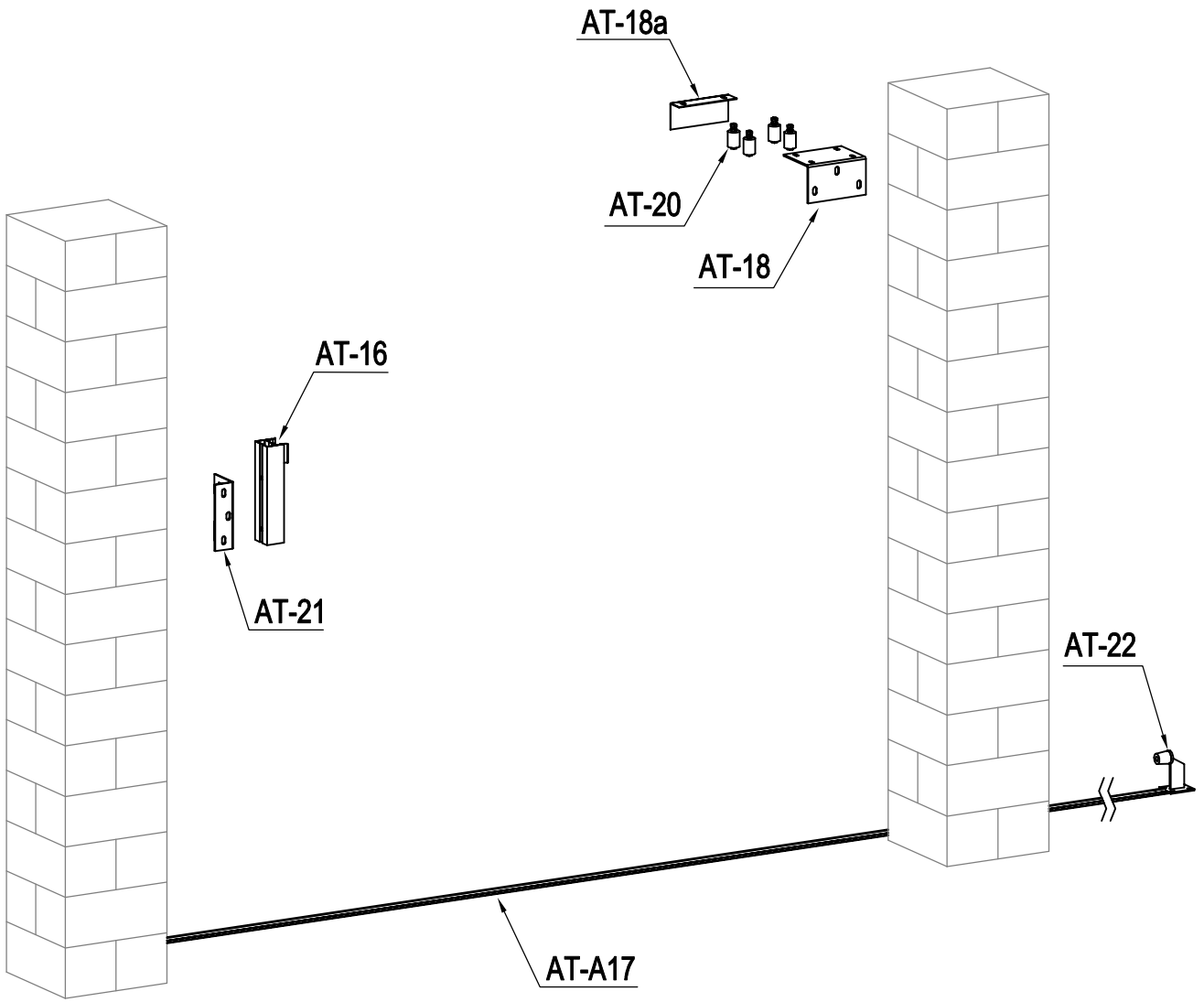


Int.

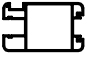






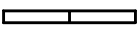

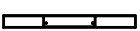






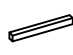
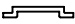





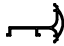


















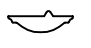



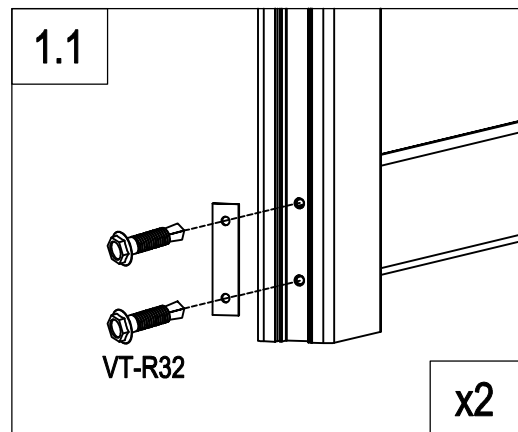
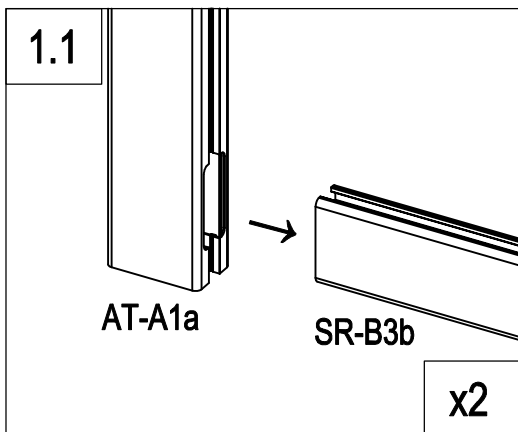
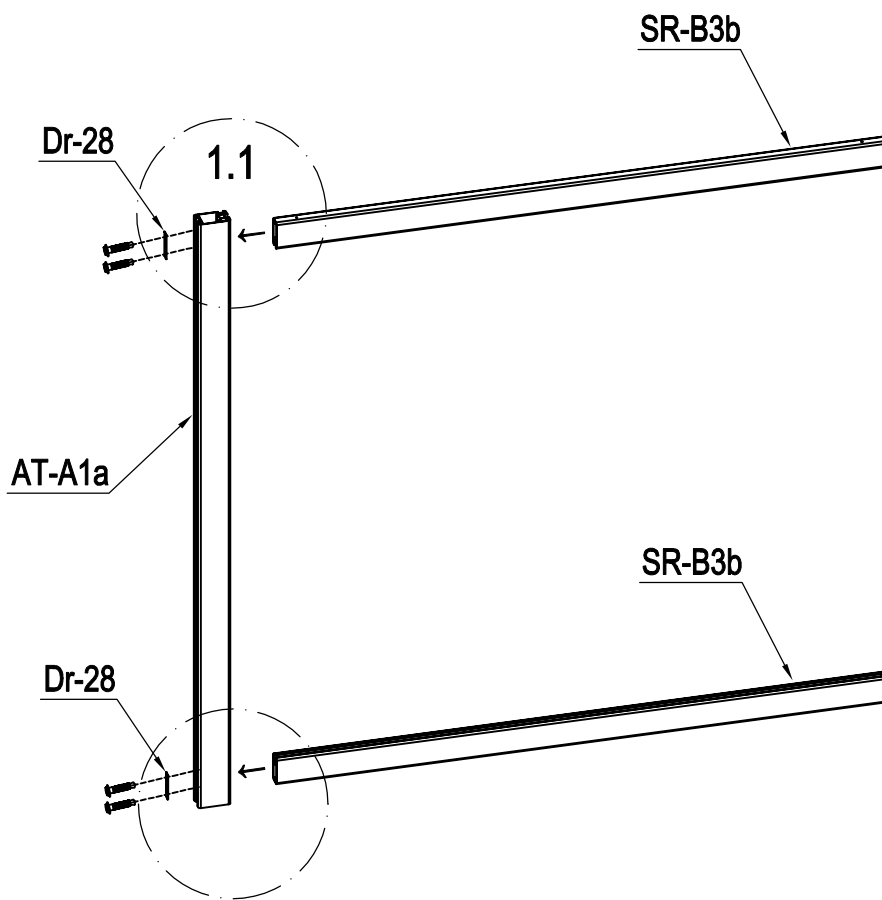


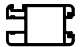
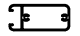




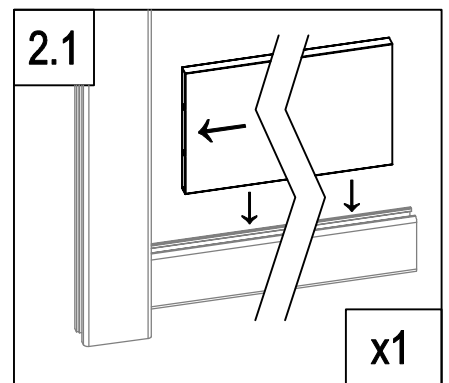
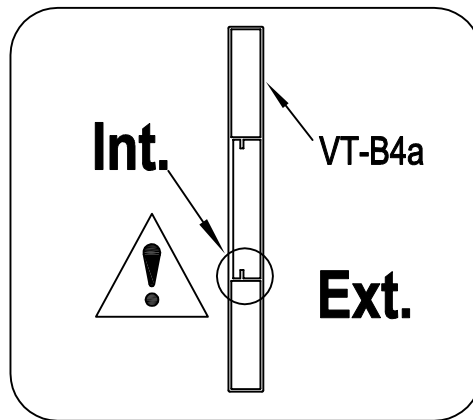
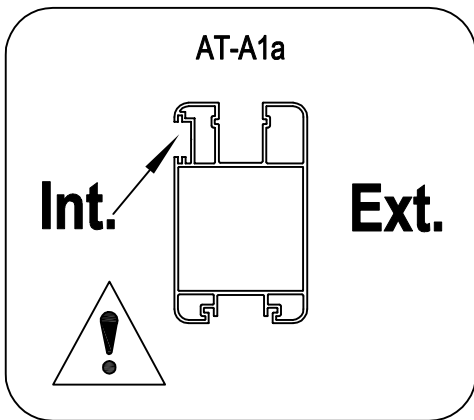
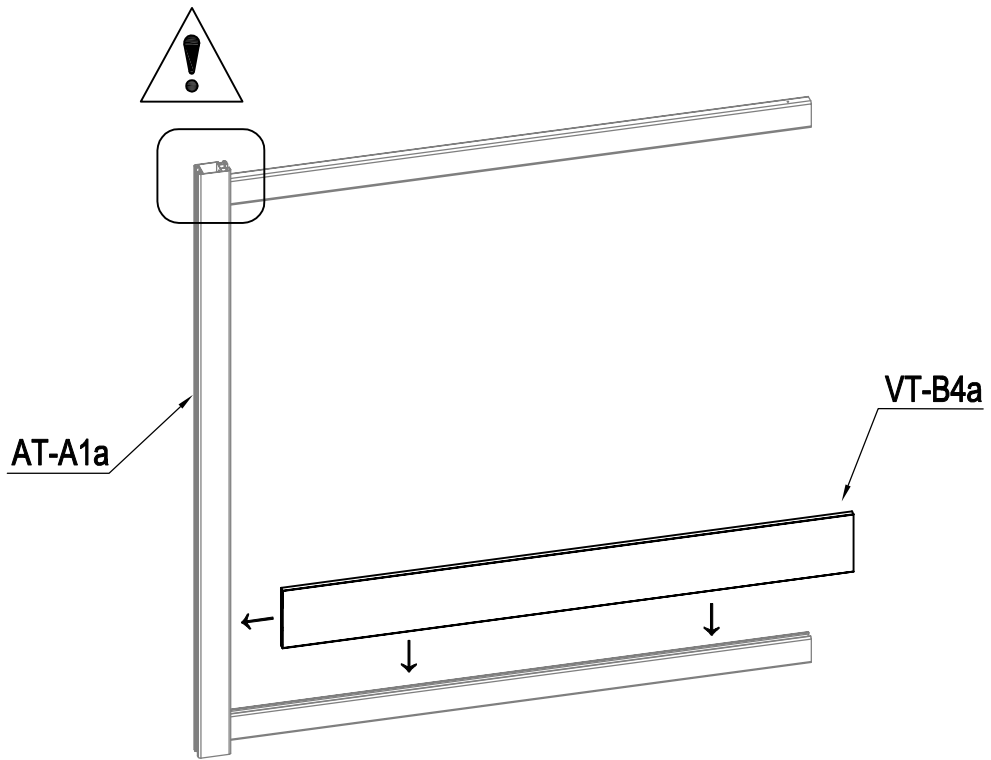


PART LIST

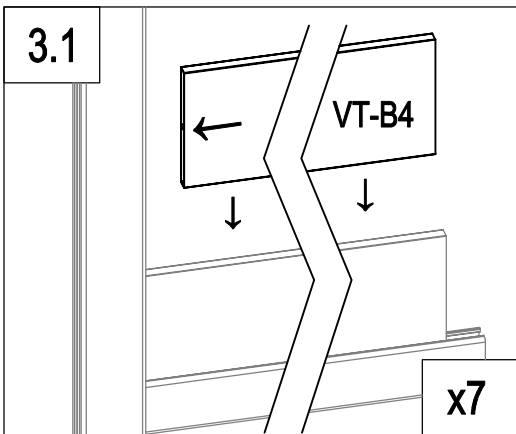
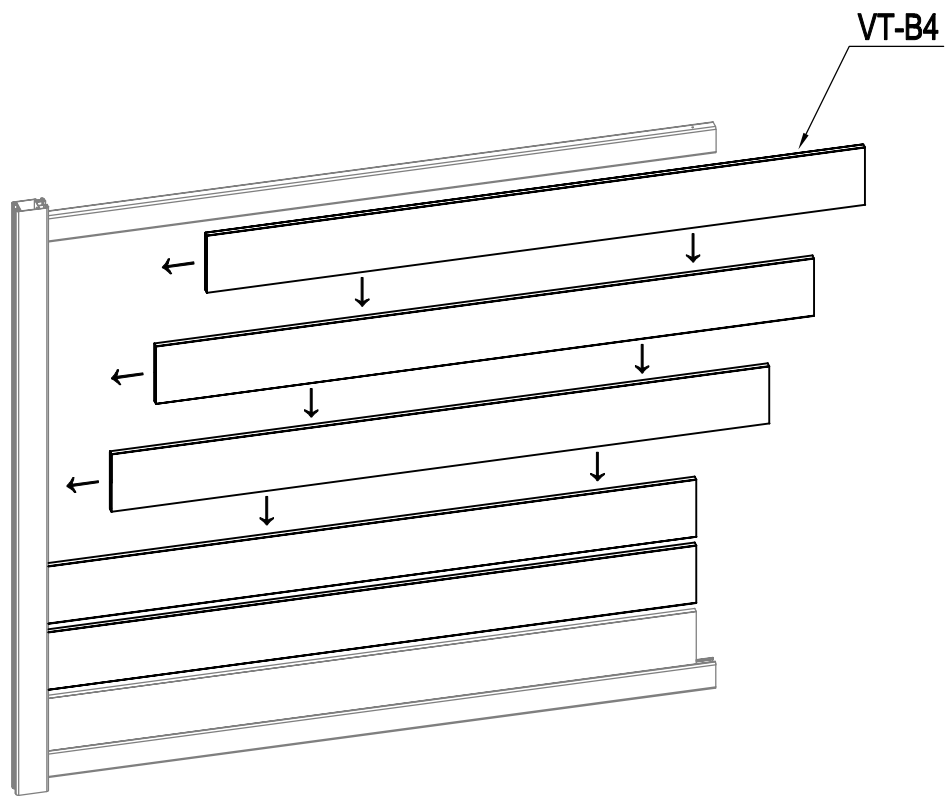
IMAGE	NO.	L.(mm)	QTY	IMAGE	NO.	L.(mm)	QTY
	AT-A1a	1573	3		AT-18		1
	AT-A2	1573	1		AT-18a		1
	AT-30	250	1		AT-19		4
	AT-30a	250	1		AT-20		4
	SR-B3b	1471	4		AT-21		1
	VT-B4	1380	14		AT-22		1
	VT-B4a	1380	2		AT-23		2
	AT-C5	1448	1		Dr-18		1
	AT-A5a	395.5	1		Dr-19		1
	Dr-A5b	937	1		Dr-20a		1
	AT-A5b	1573	1		Dr-21		1
	AT-29	193	2		Dr-22		1
	AT-A11	1573	4		Dr-25		1
	AT-A11a	250	2		Dr-25a		2
	VT-A6	23	28		Dr-27		2
	AT-31	250	2		VT-R30		4
	AT-A7a	1520	1		VT-R31		10
	AT-A14	1338	2		VT-R32		28
	AT-A14a	1338	2		VT-R33		4
	VT-A15	1337	2		VT-R34		68
	AT-16	260	1		VT-R35		6
	AT-A17	1212	5		VT-R36		2
	AT-17		2		VT-R37		8
	AT-17a		2		VT-R38		40
	AT-10		4		Dr-28		6
	Dr-13		1		AT-22J		7
	Dr-14		1		ATW-14		1




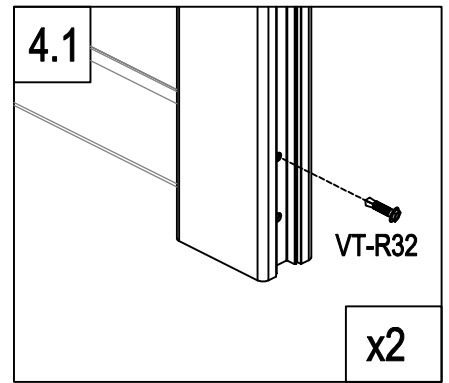
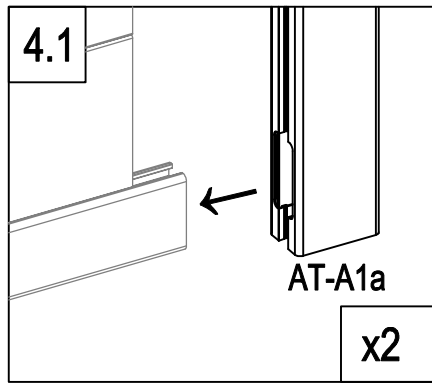
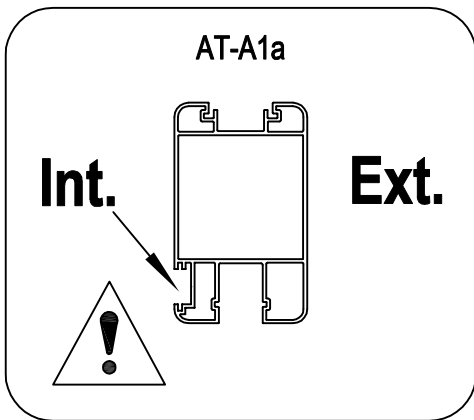
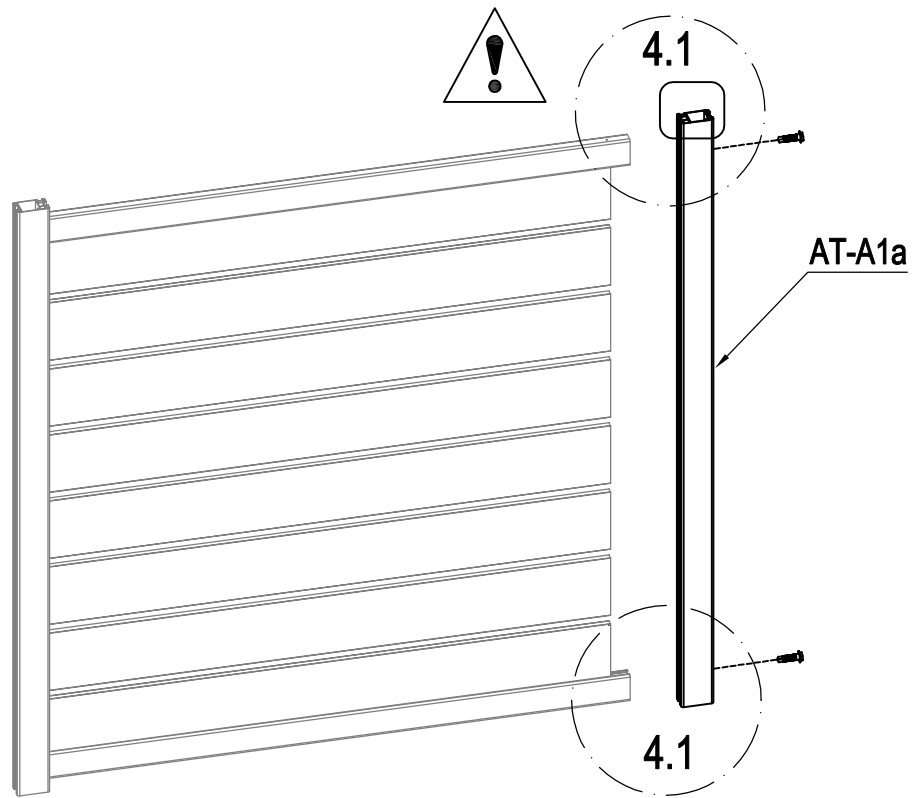
	AT-A1a	1
	SR-B3b	2
	Dr-28	2
	VT-R32	4

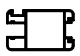



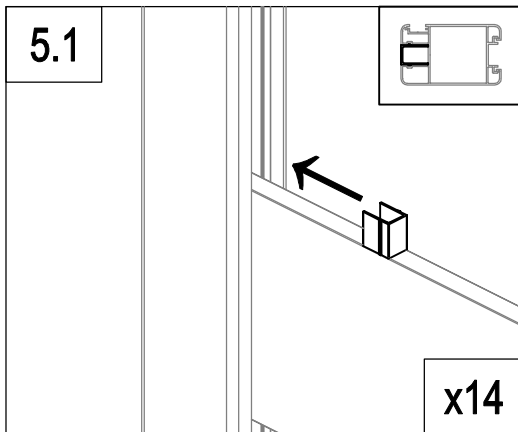
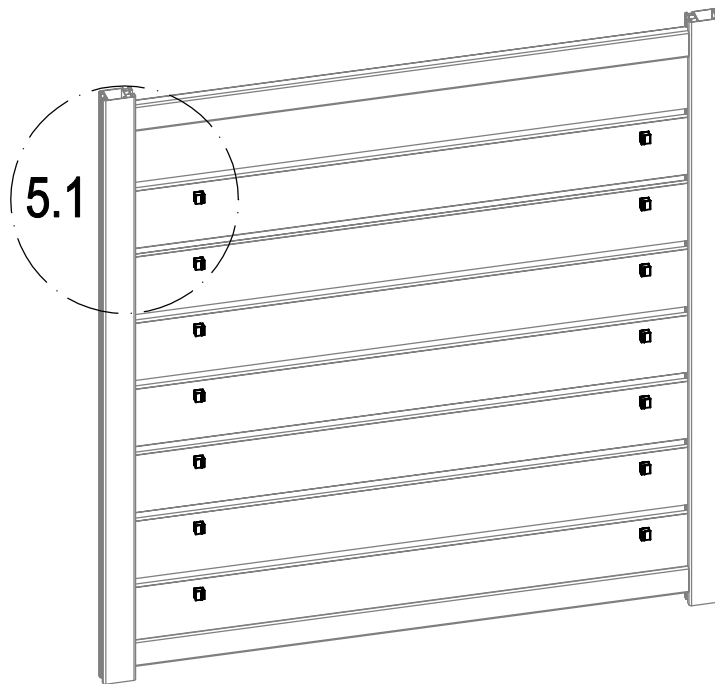
	VT-B4a	1
---	--------	---



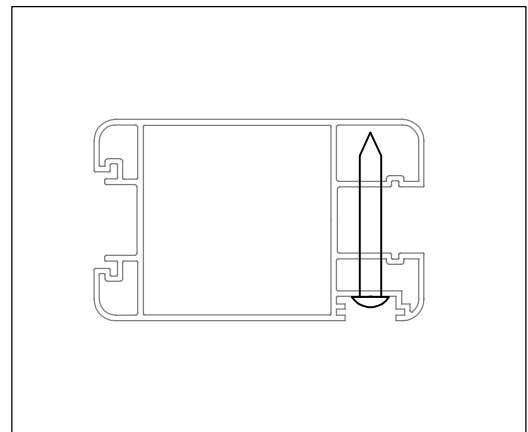
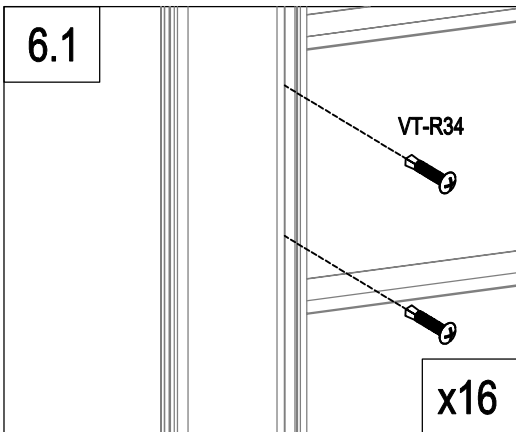
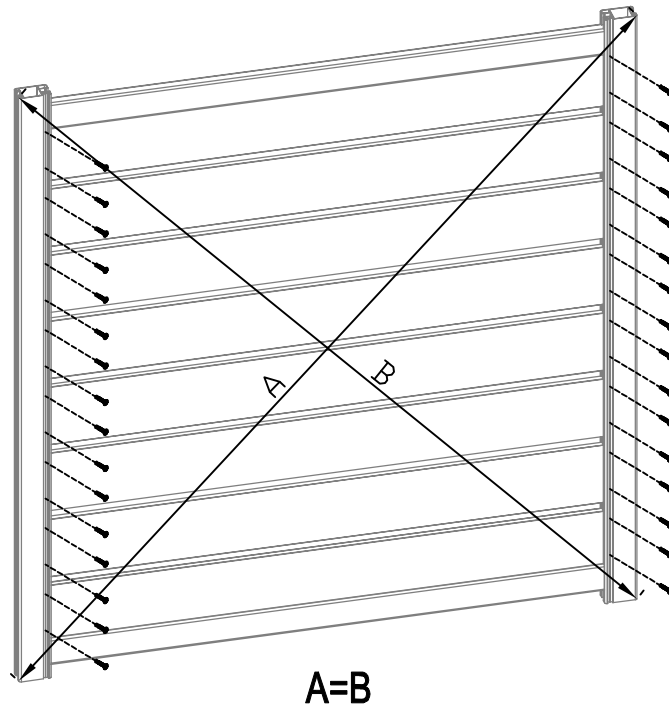
	VT-B4	7
---	-------	---




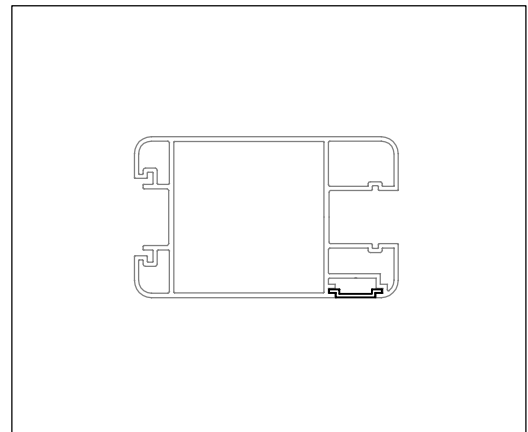
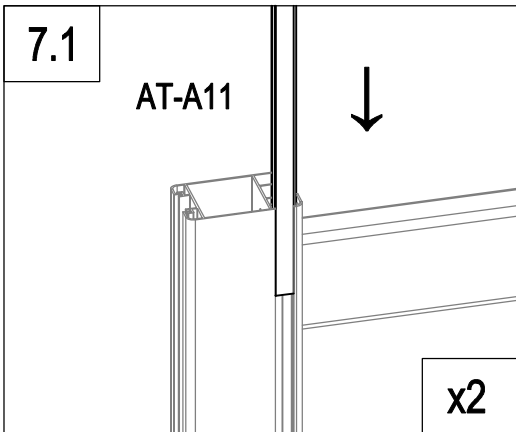
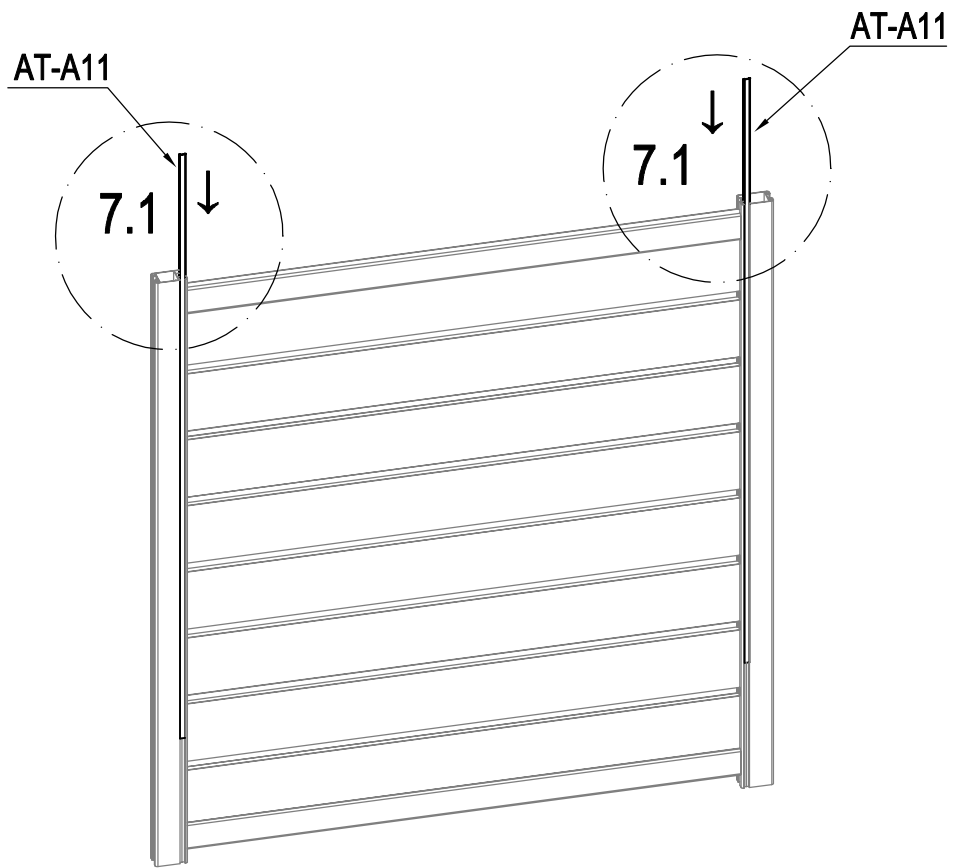
	AT-A1a	1
	VT-R32	2




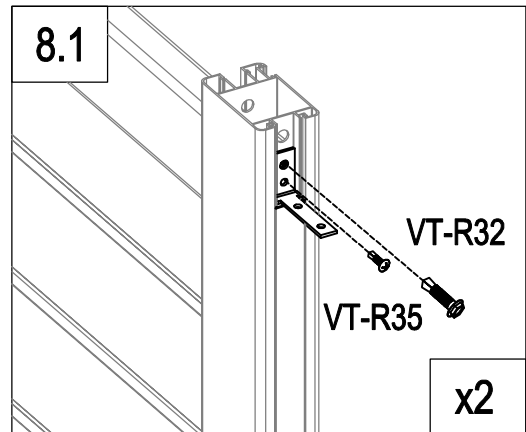
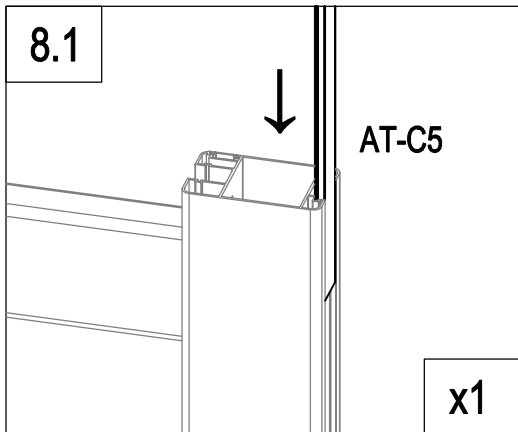
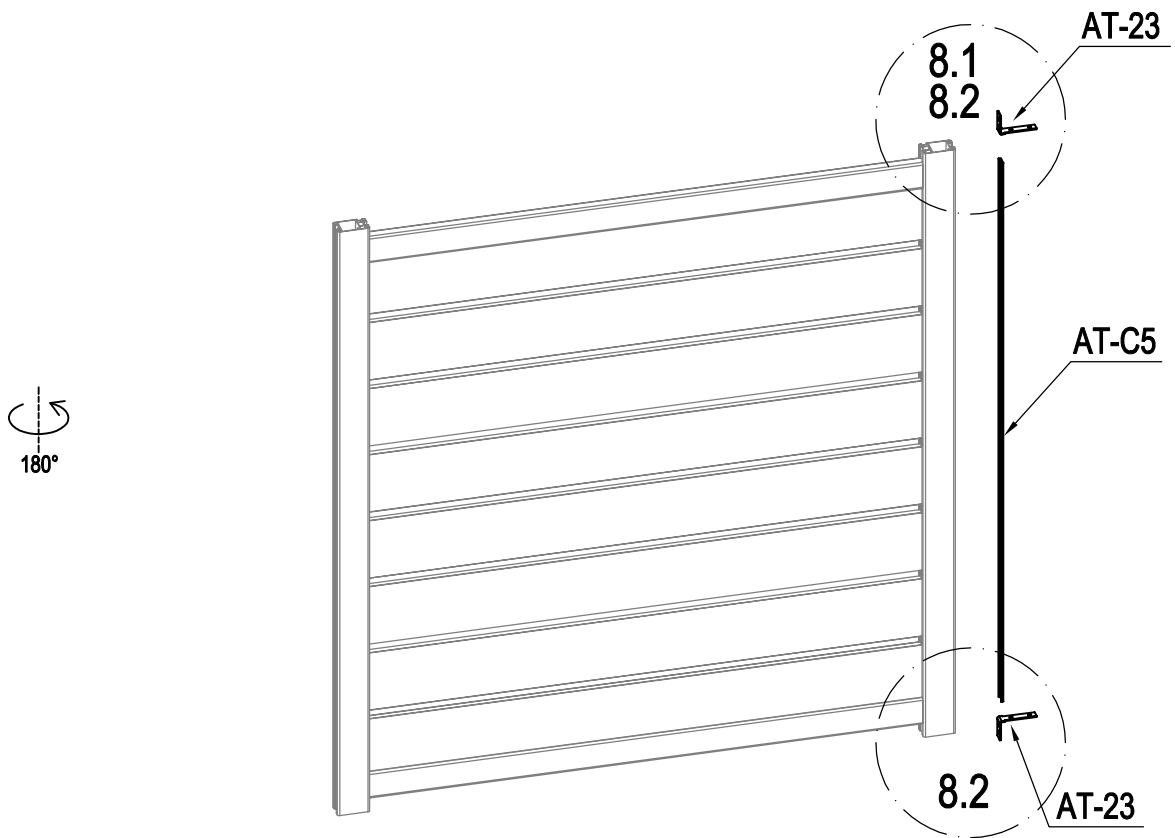
	VT-A6	14
--	-------	----







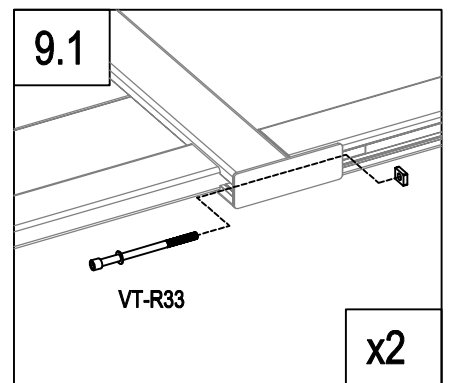
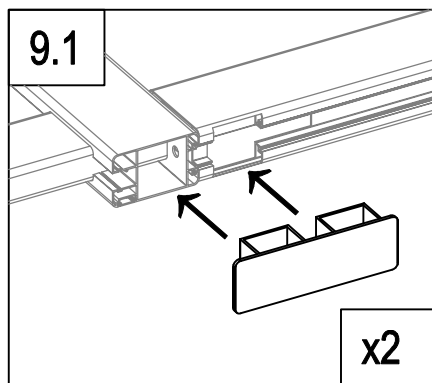
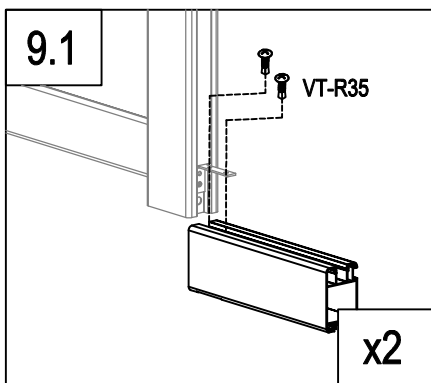
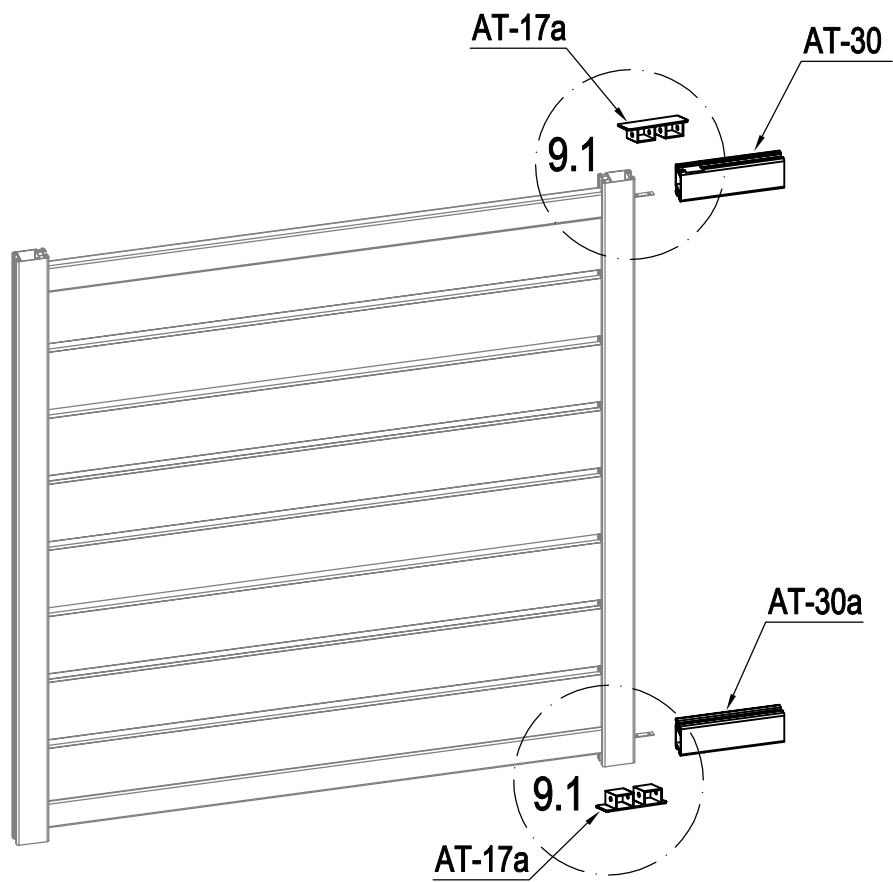
	VT-R34	32
---	--------	----



	AT-A11	2
---	---------------	----------

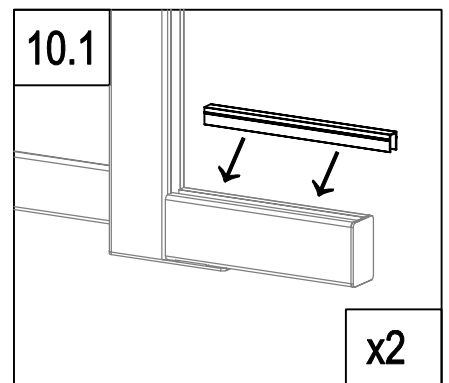
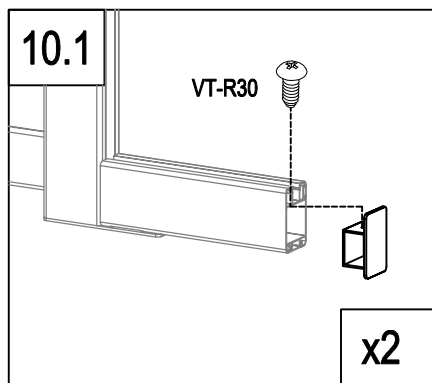
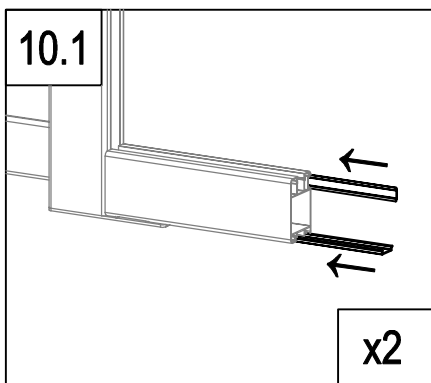
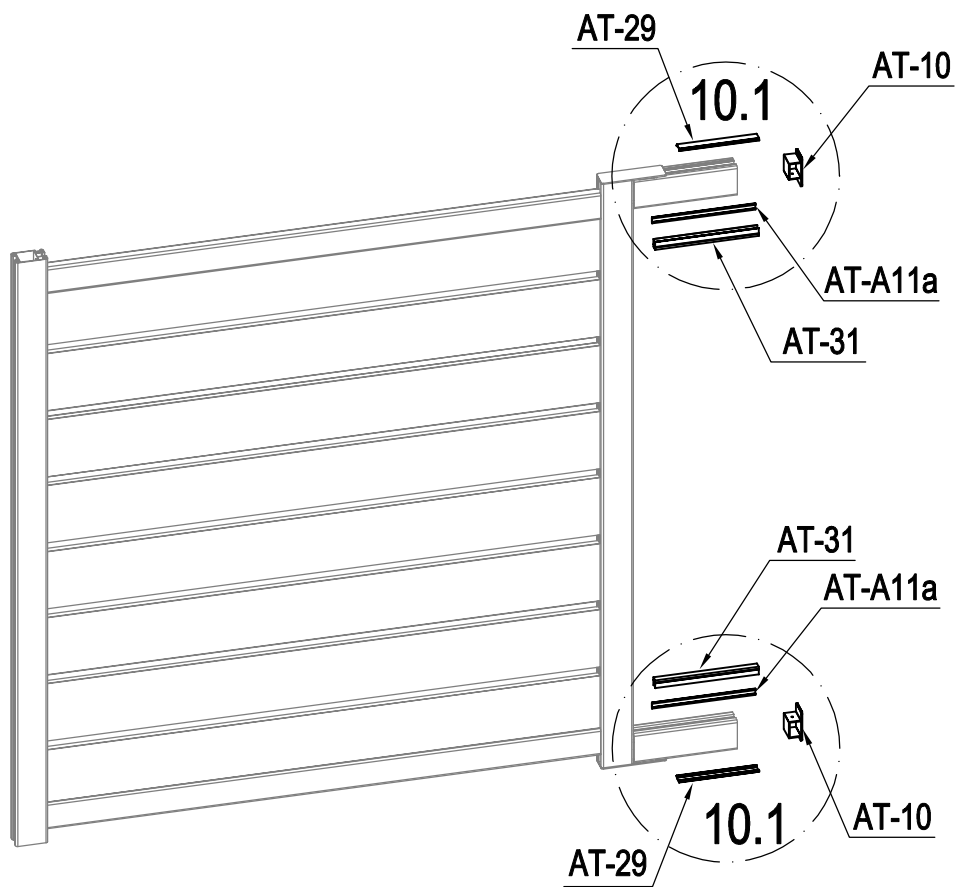


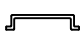


	AT-C5	1
	AT-23	2
	VT-R32	2
	VT-R35	2





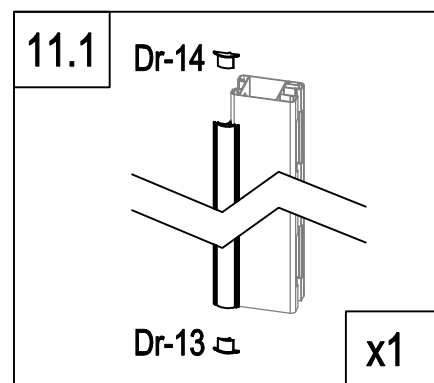
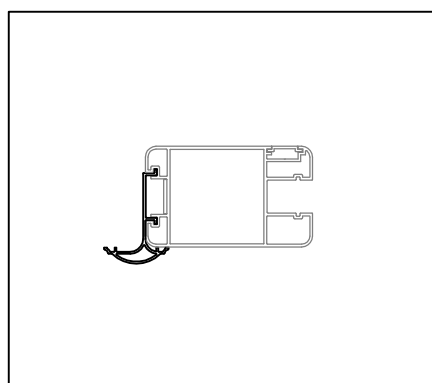
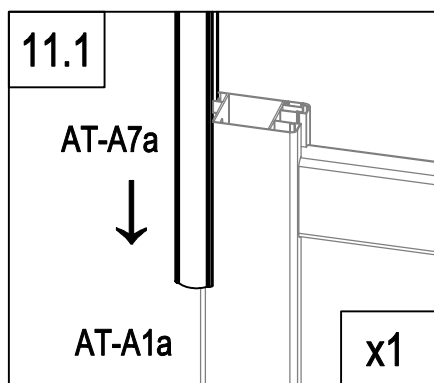
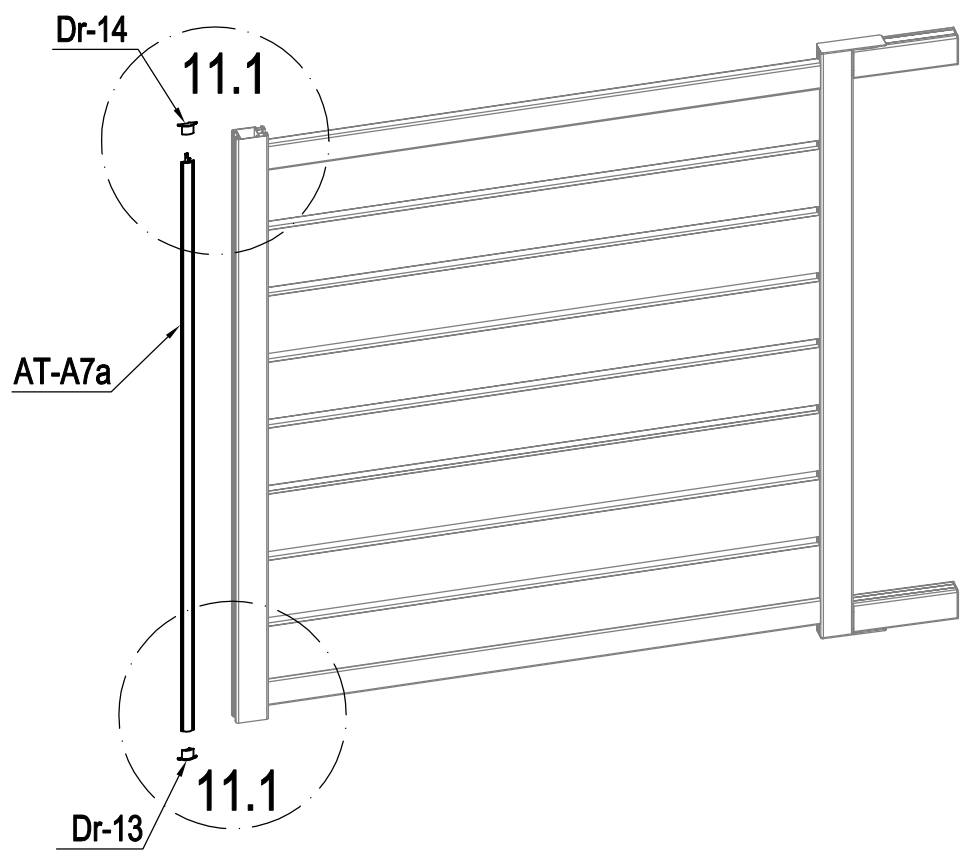
	AT-30	1
	AT-30a	1
	AT-17a	2

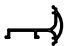


	VT-R33	2
	VT-R35	4

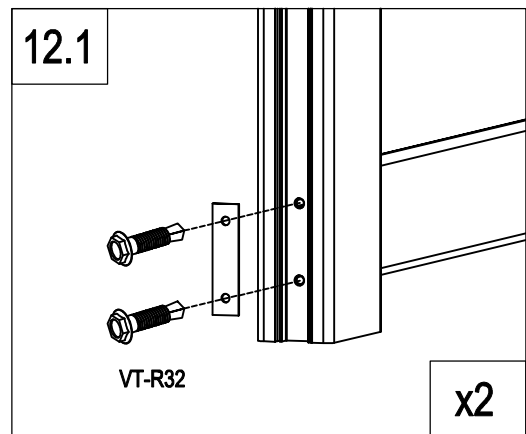
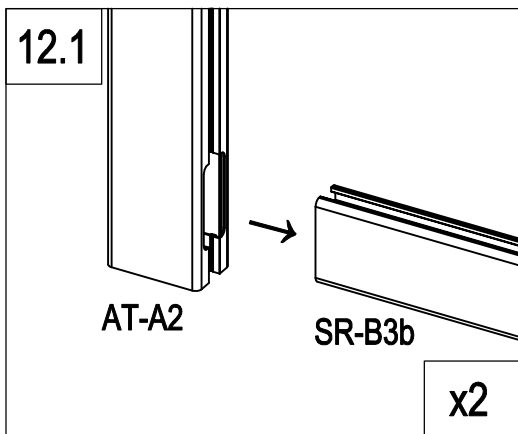
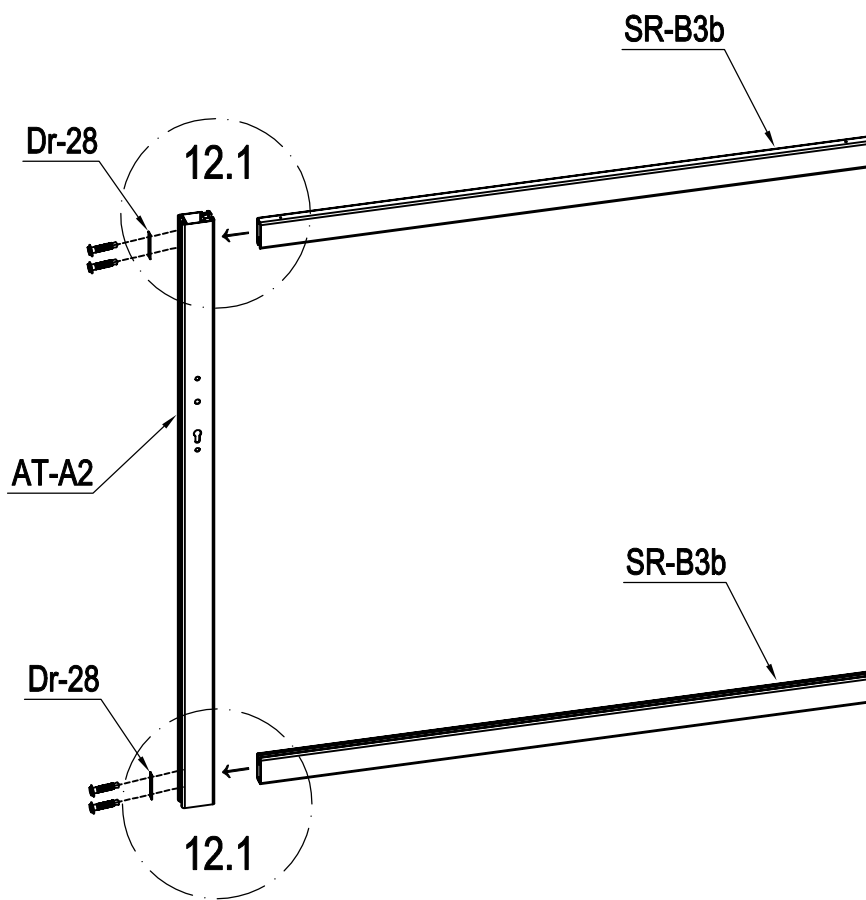


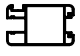
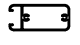


	AT-29	2
	AT-A11a	2
	AT-31	2

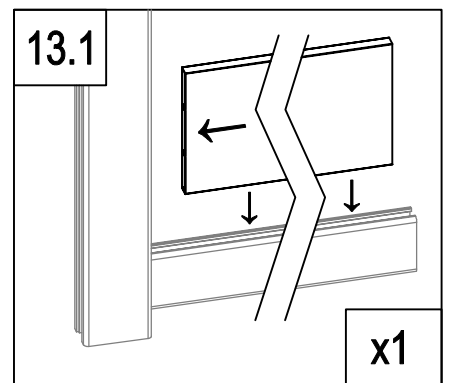
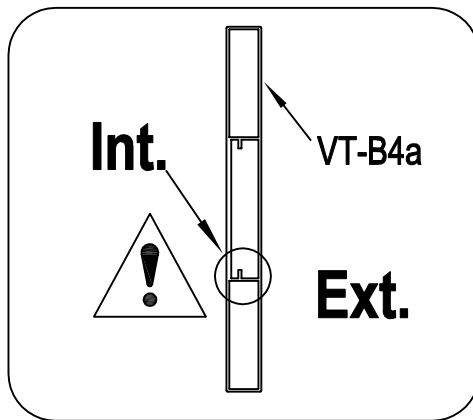
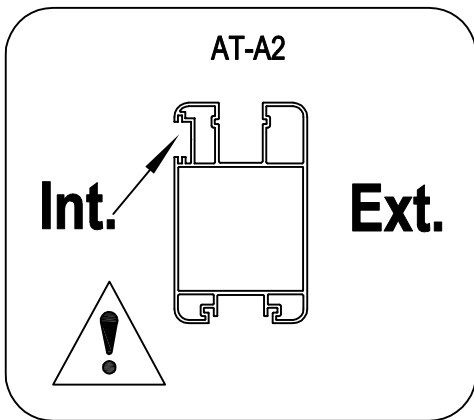
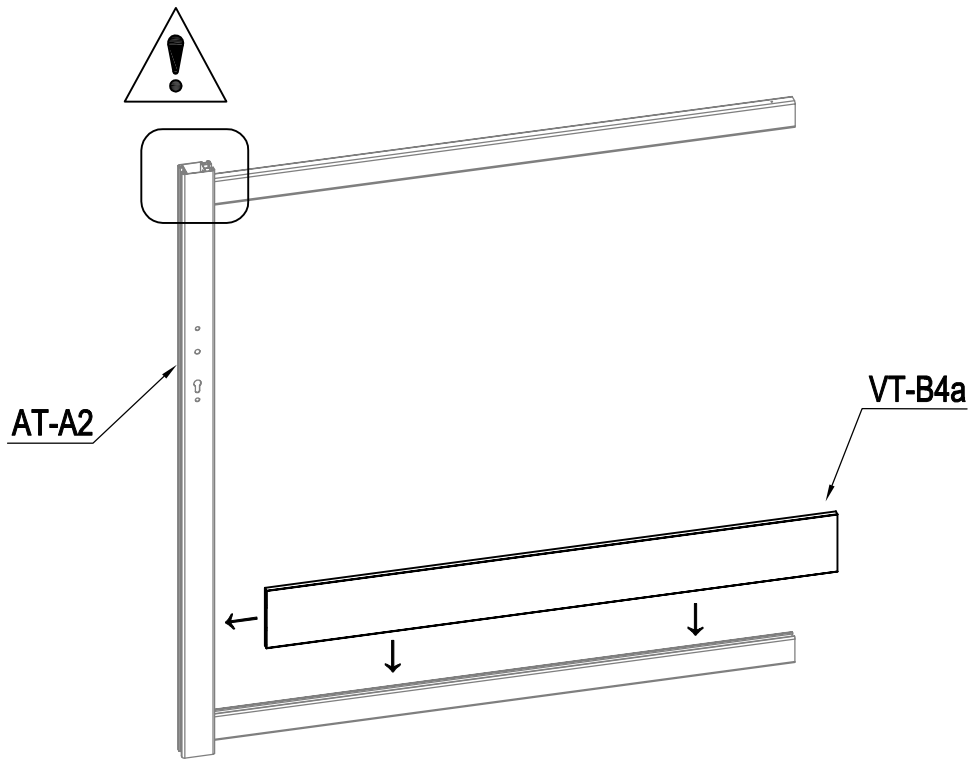
	AT-10	2
	VT-R30	2



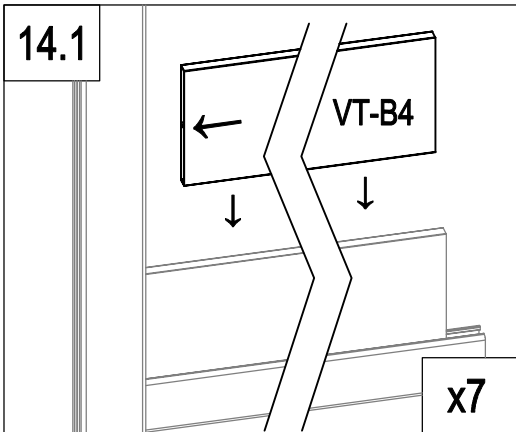
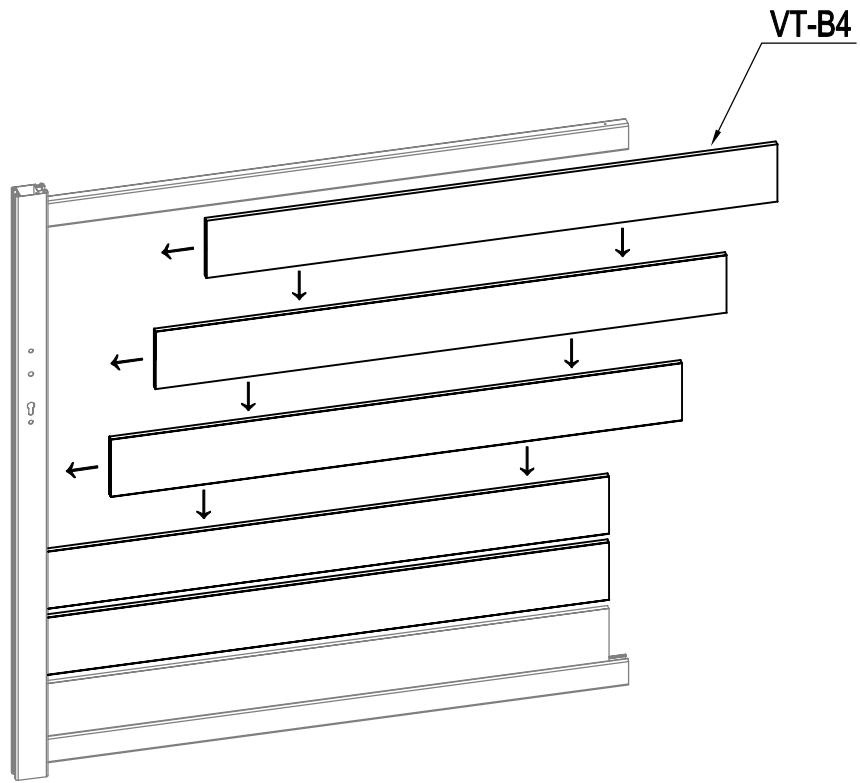
	AT-A7a	1
	Dr-13	1
	Dr-14	1




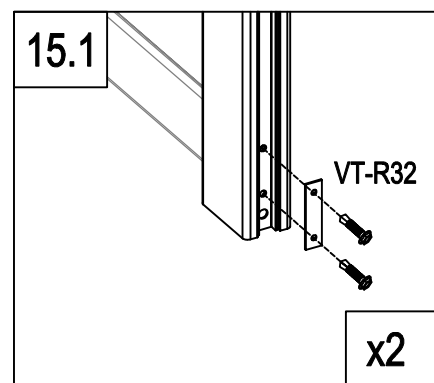
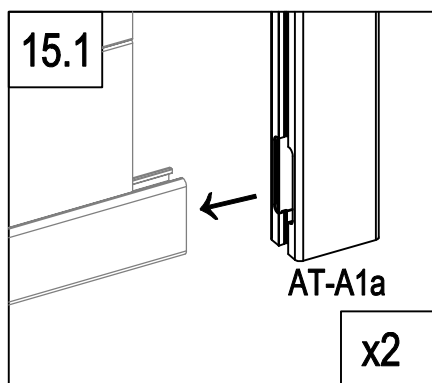
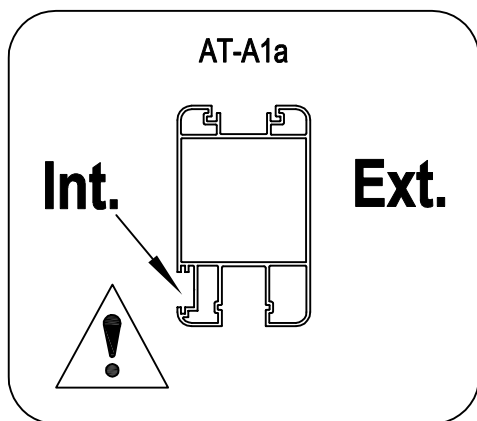
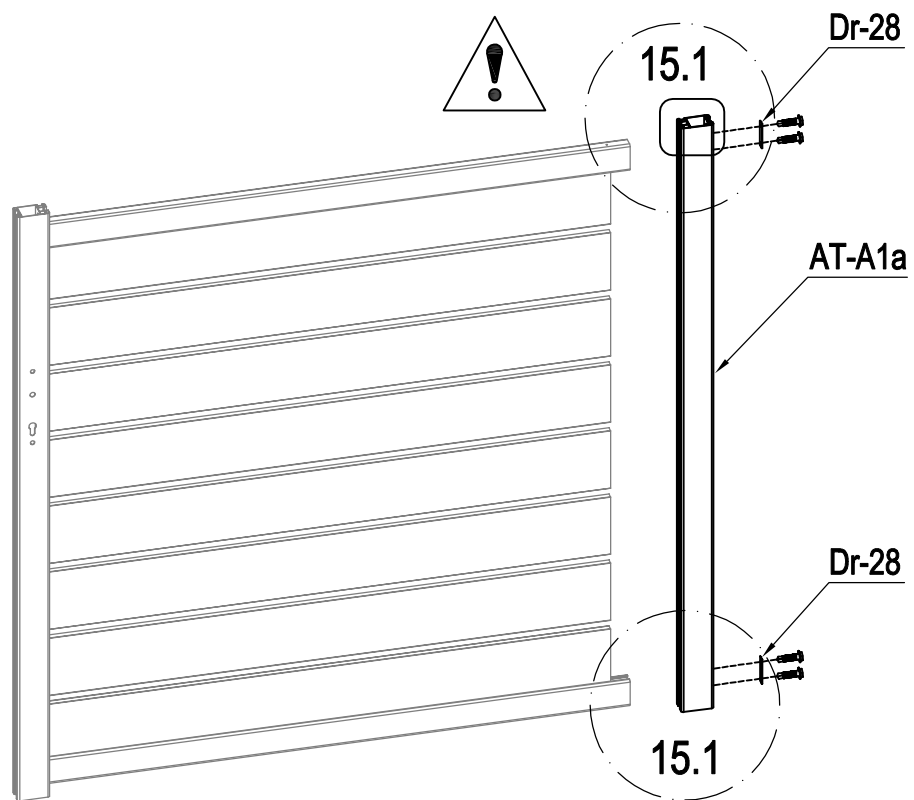
	AT-A2	1
	SR-B3b	2
	Dr-28	2
	VT-R32	4

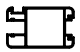




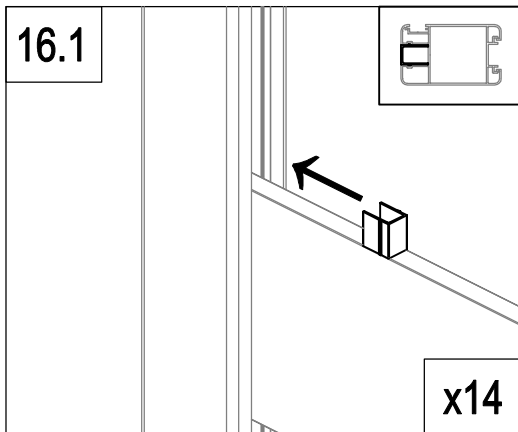
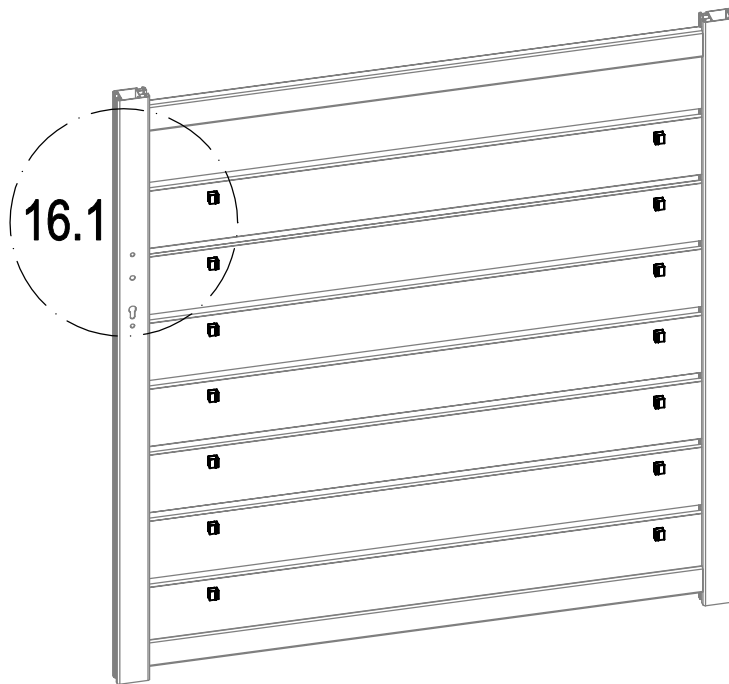
	VT-B4a	1
---	--------	---




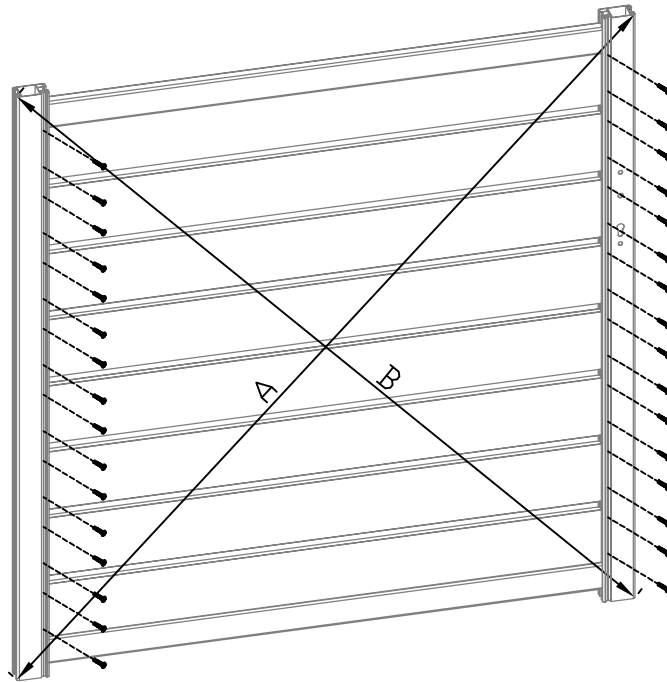
	VT-B4	7
---	-------	---



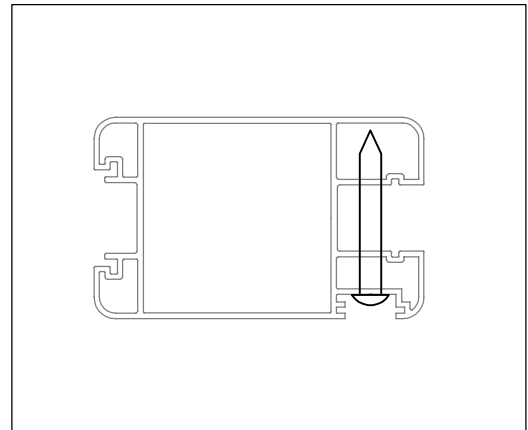
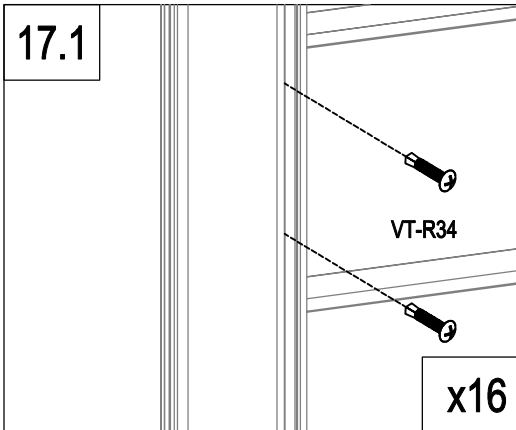
	AT-A1a	1
	Dr-28	2
	VT-R32	4




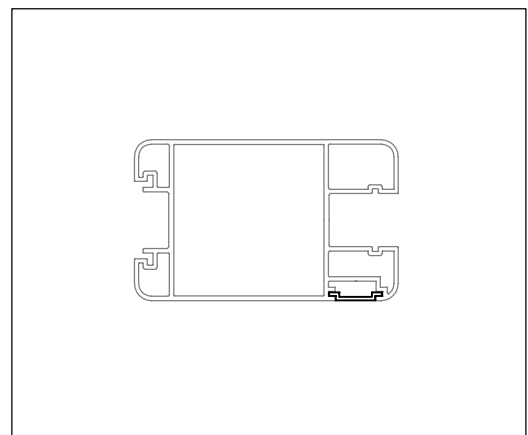
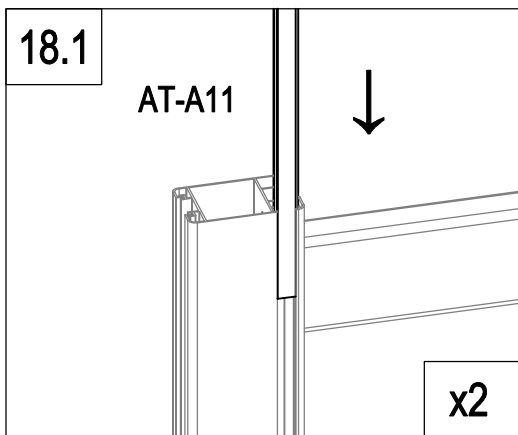
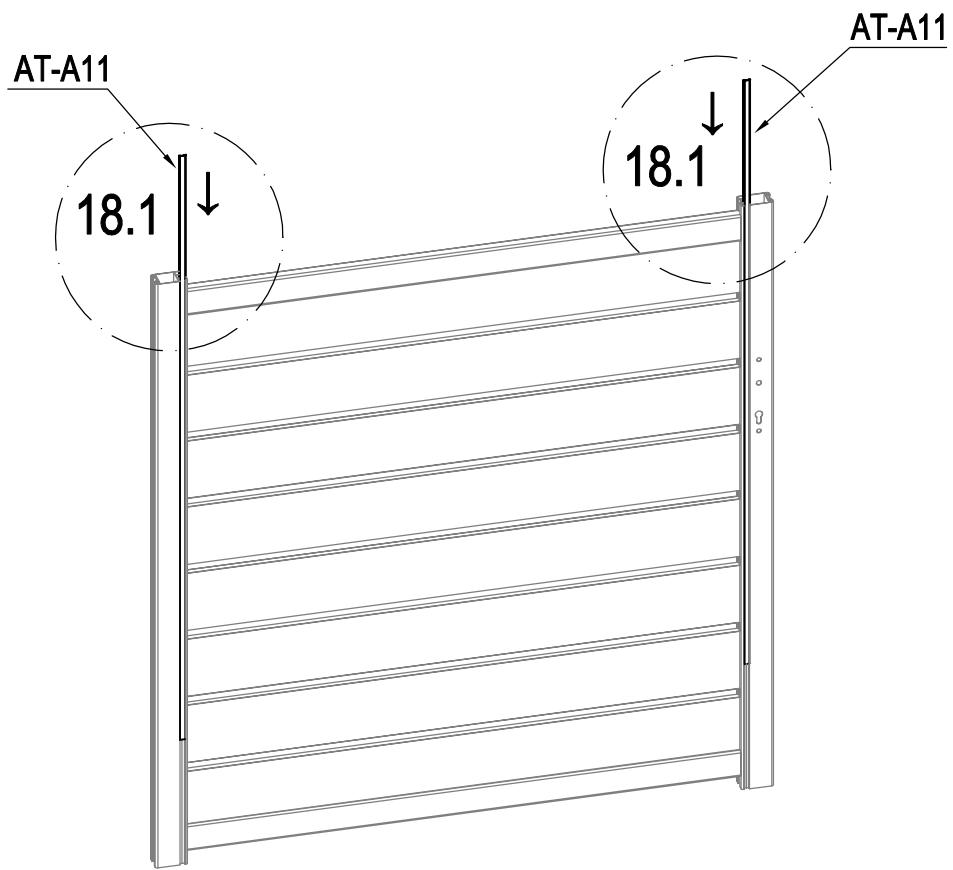
	VT-A6	14
---	-------	----




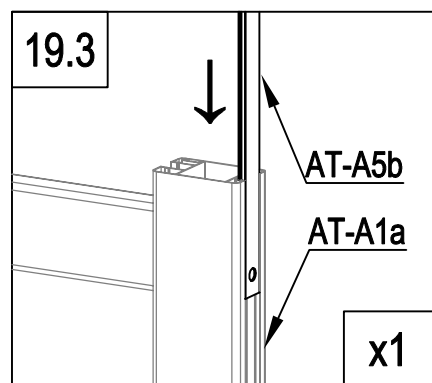
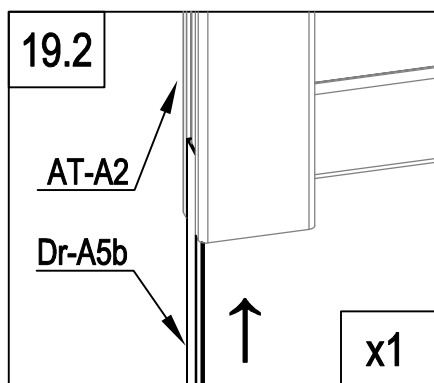
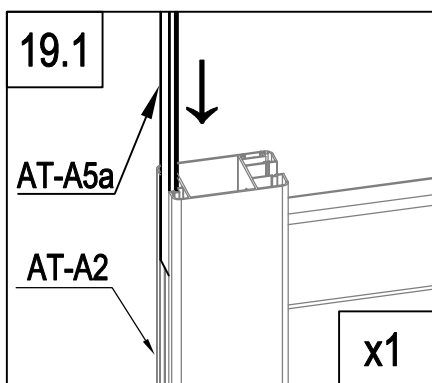
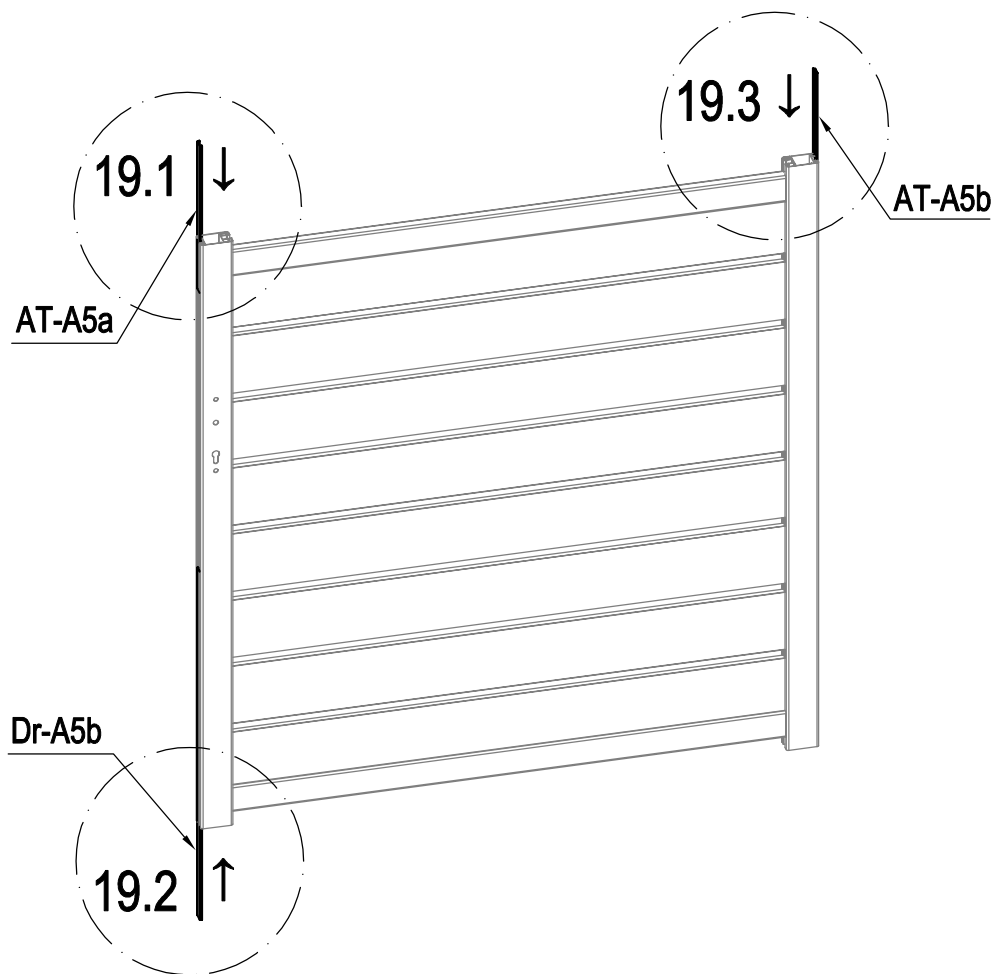
A=B



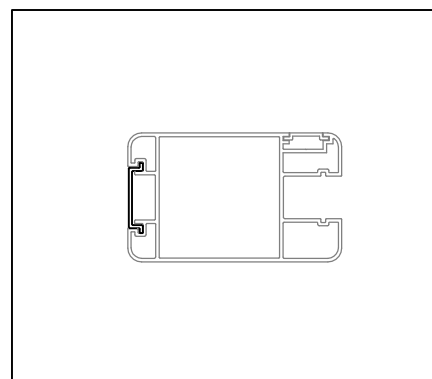
	VT-R34	32
---	--------	----

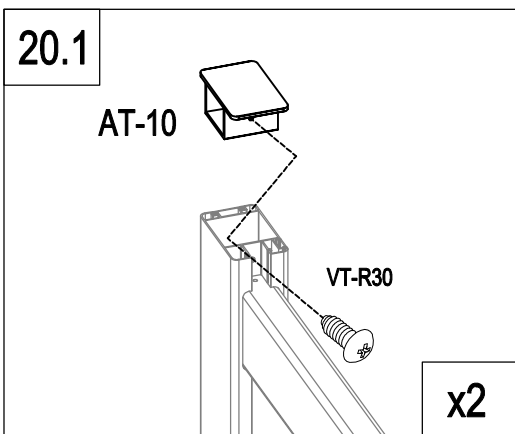
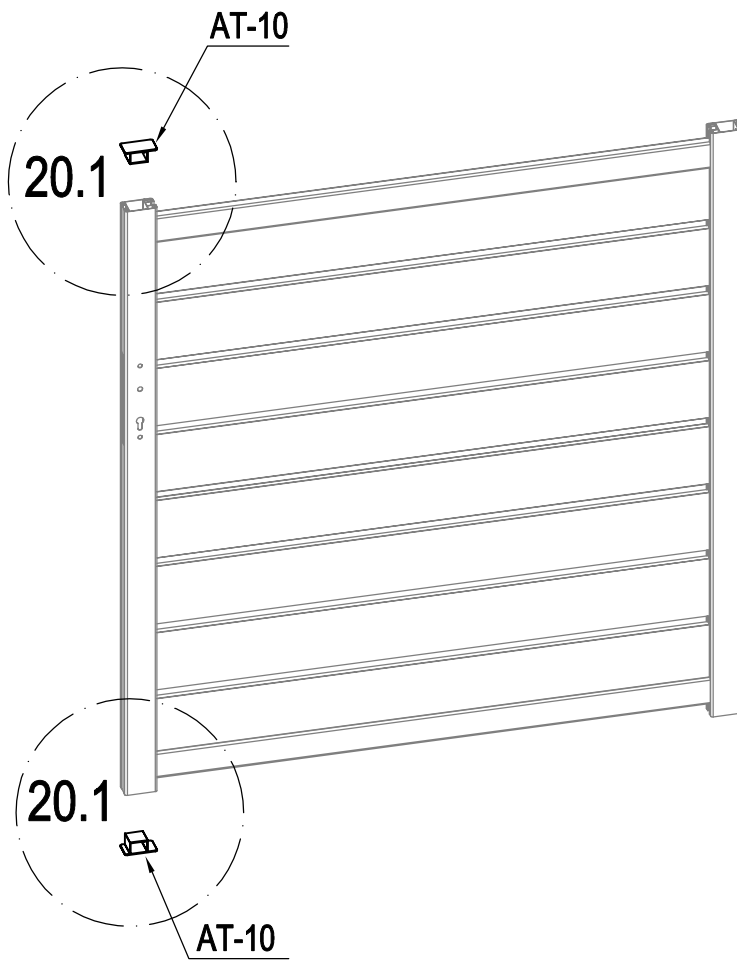




	AT-A11	2
---	---------------	----------

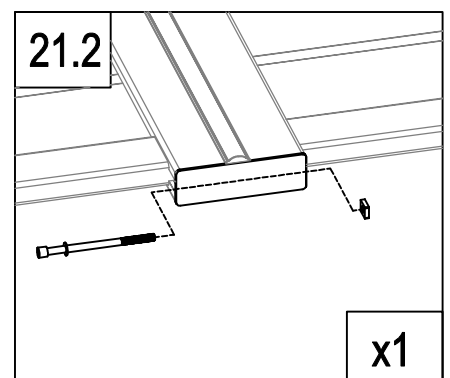
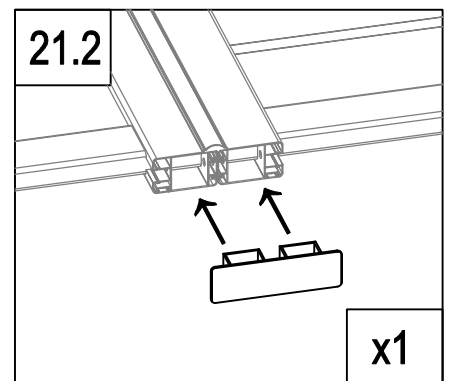
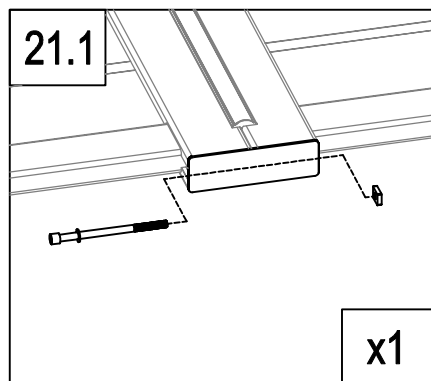
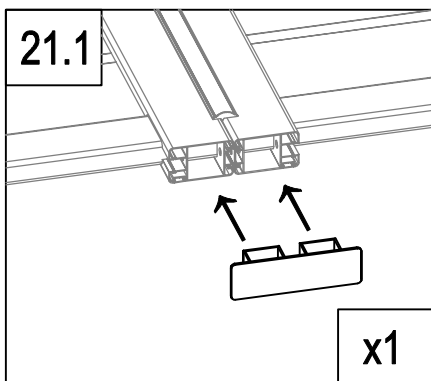
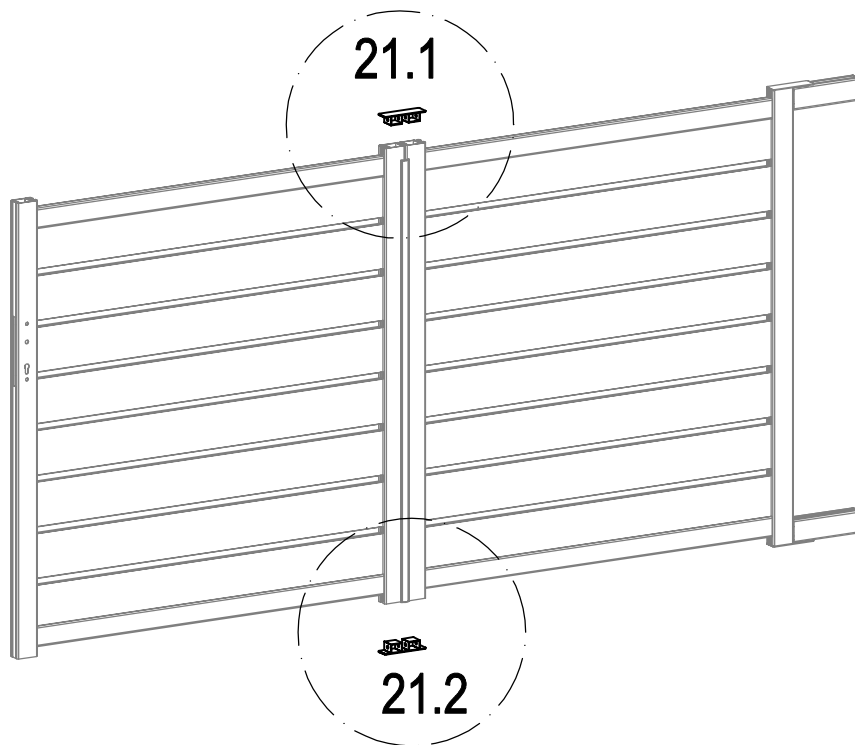




	AT-A5b	1
	AT-A5a	1
	Dr-A5b	1

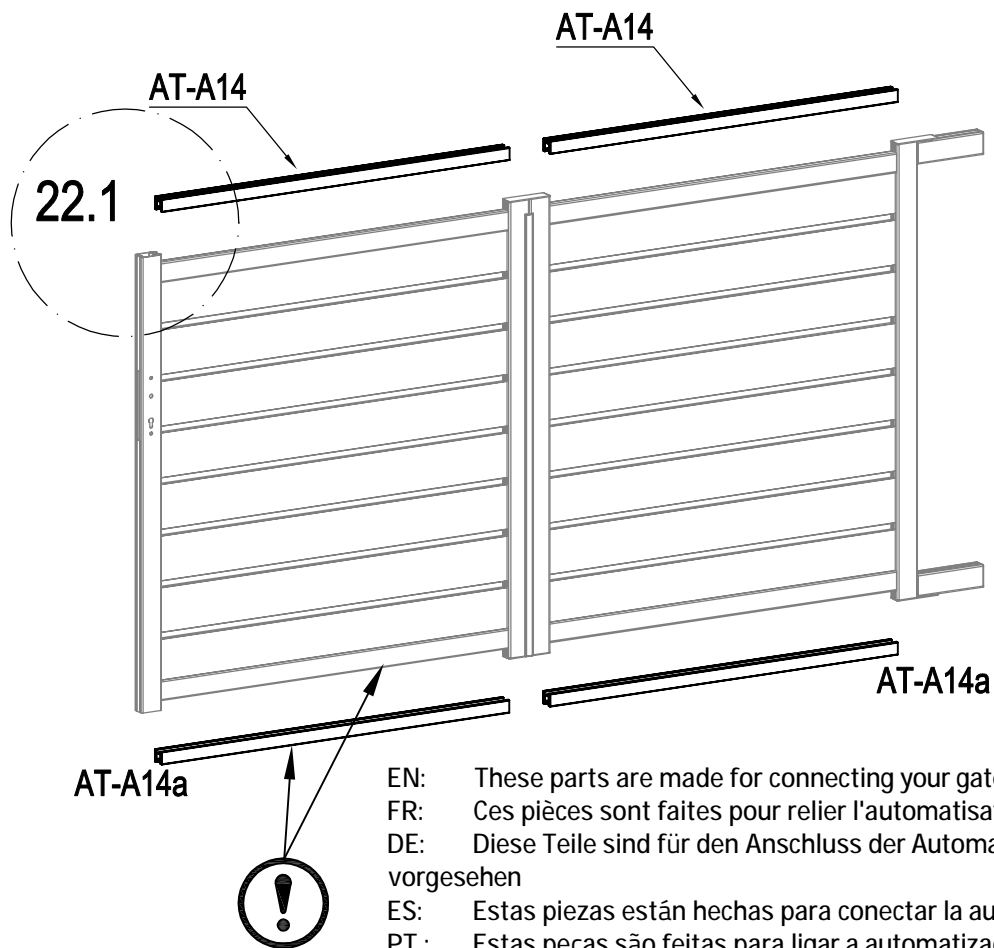




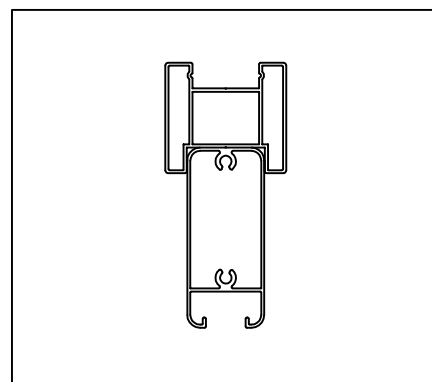
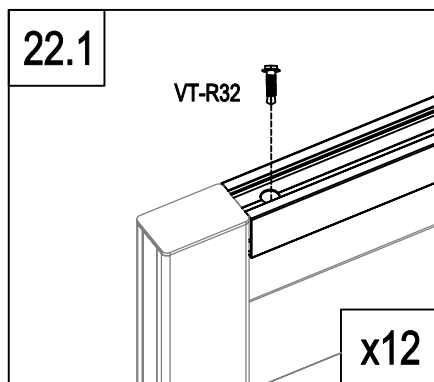
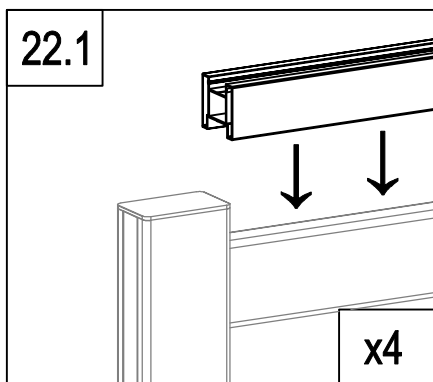
	AT-10	2
	VT-R30	2





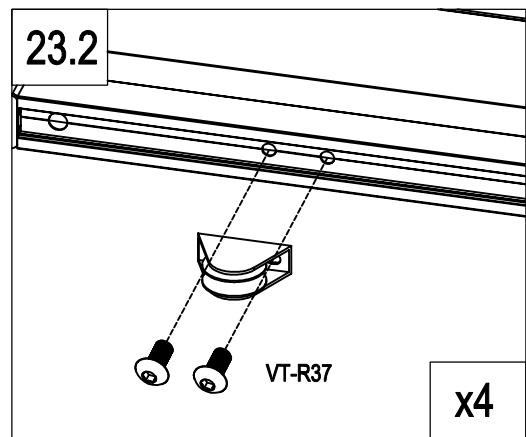
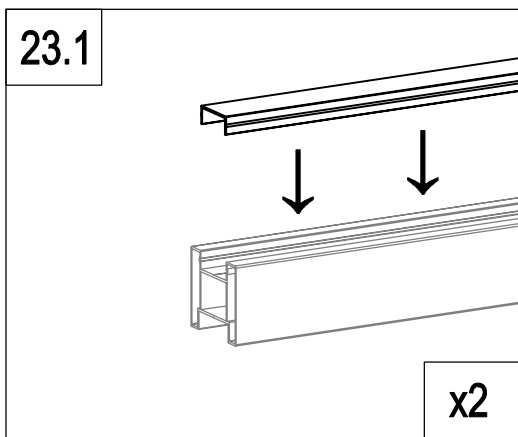
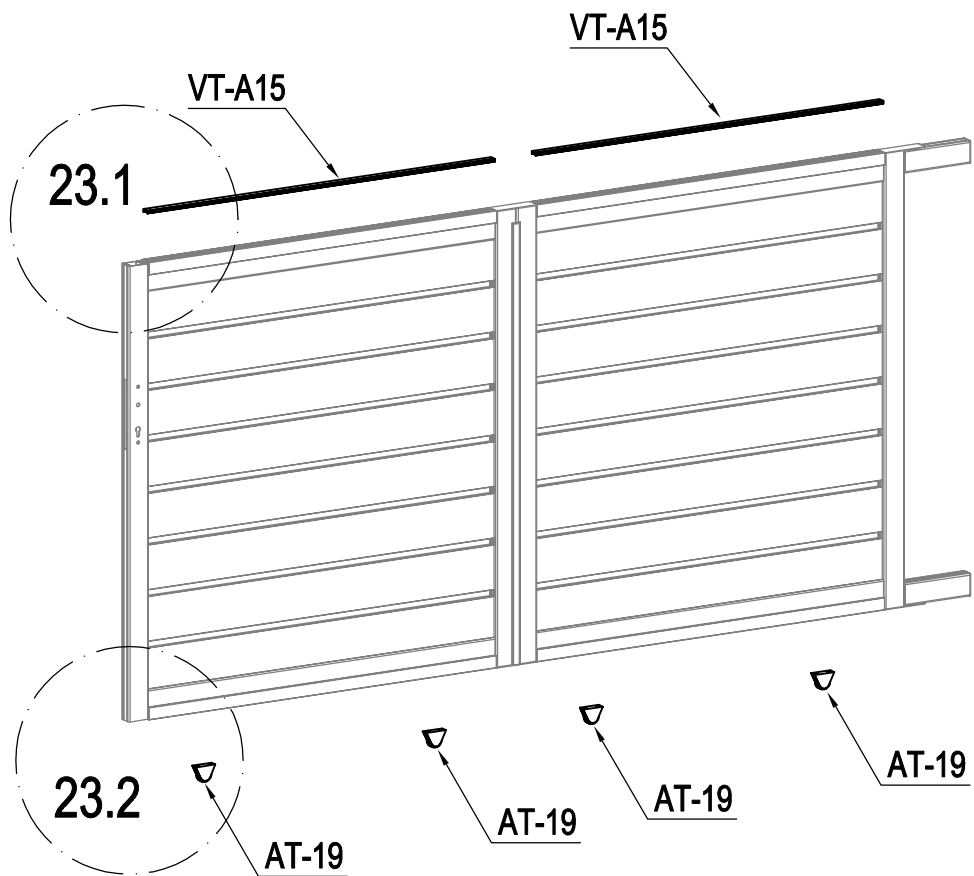
	AT-17	2
	VT-R33	2

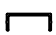




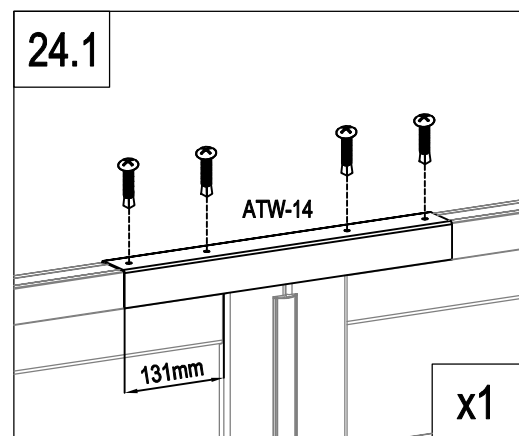
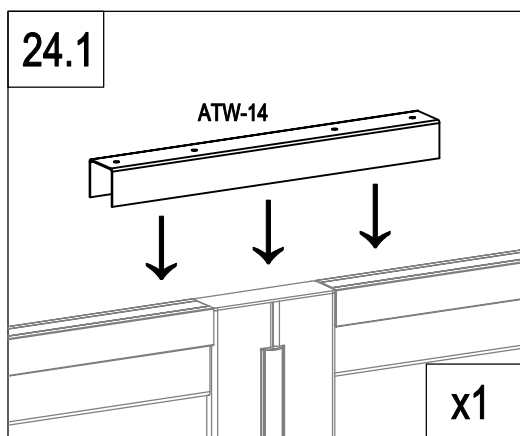
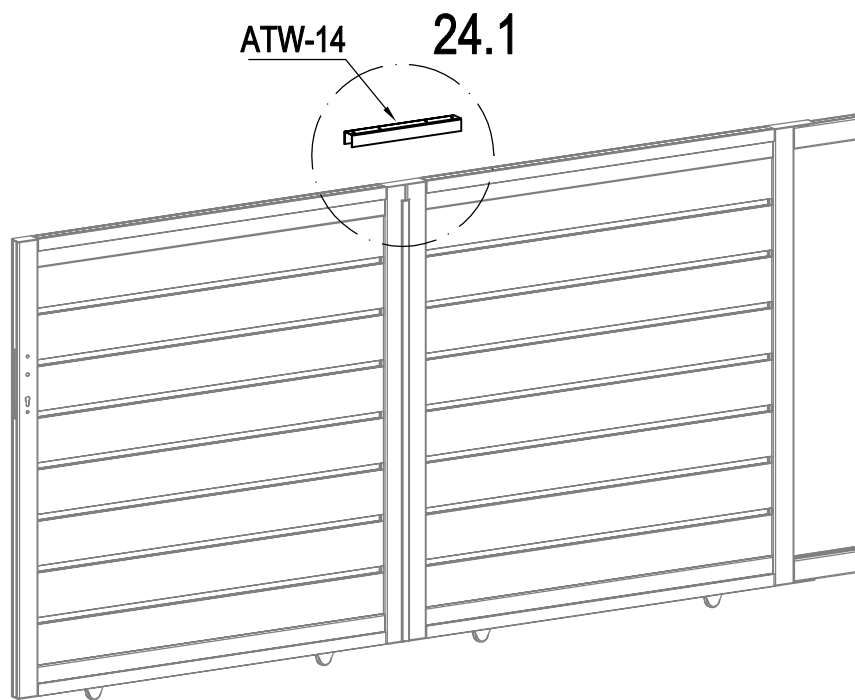
EN: These parts are made for connecting your gate's automation
 FR: Ces pièces sont faites pour relier l'automatisation de votre portail
 DE: Diese Teile sind für den Anschluss der Automatisierung Ihres Tores vorgesehen
 ES: Estas piezas están hechas para conectar la automatización de su puerta
 PT: Estas peças são feitas para ligar a automatização do seu portão
 IT: Queste parti sono realizzate per collegare l'automazione del vostro cancello
 NL: Deze onderdelen zijn gemaakt voor het aansluiten van de automatisering van uw poort.
 PL: Te części są wykonane do podłączenia automatyki bramy.





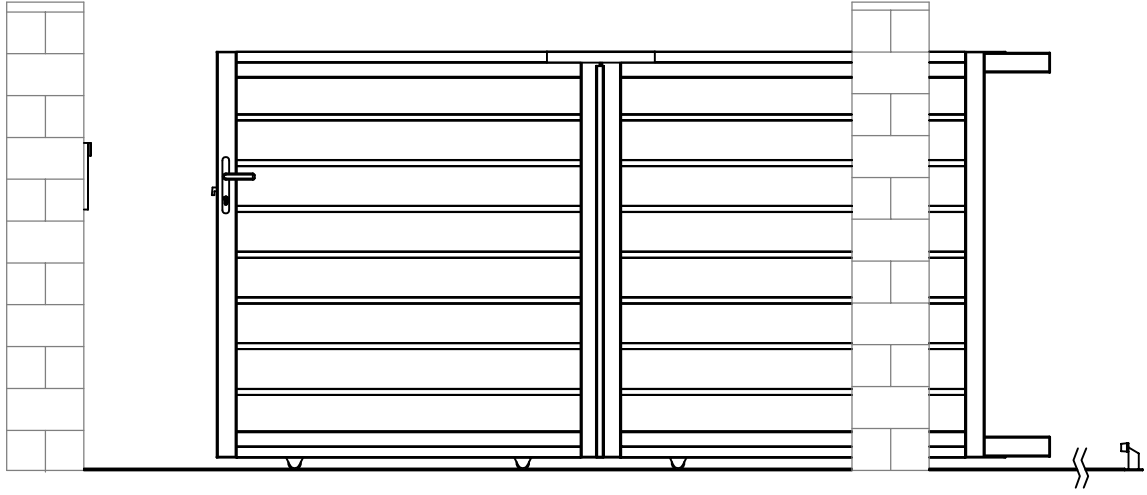
	AT-A14	2
	AT-A14a	2
	VT-R32	12



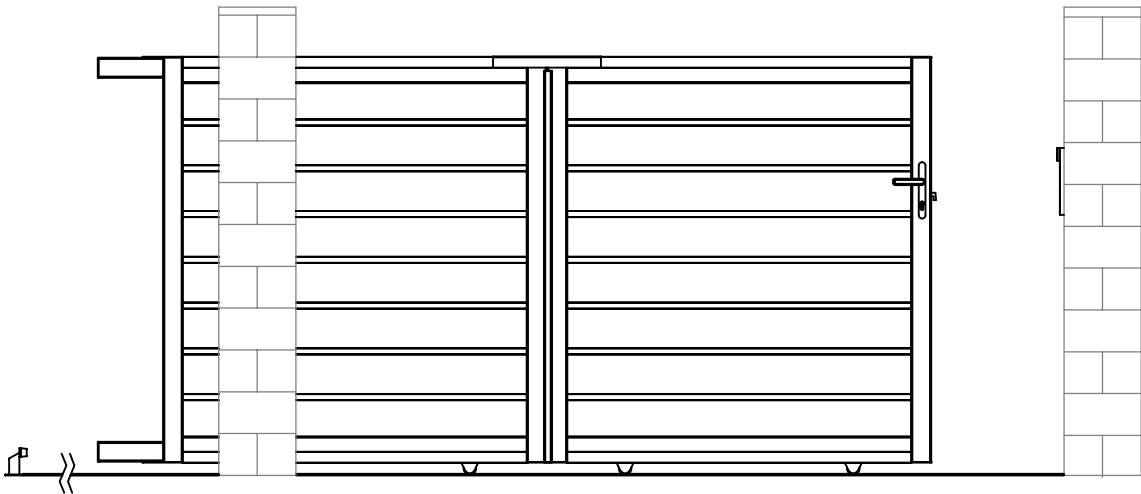
	VT-A15	2
	AT-19	4
	VT-R37	8



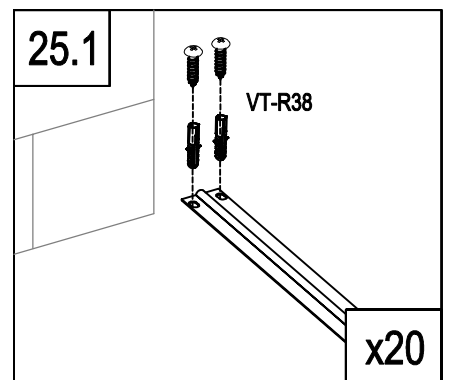
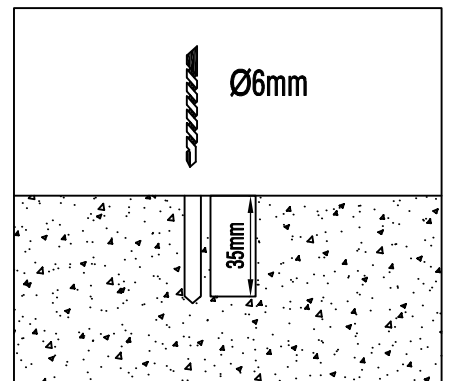
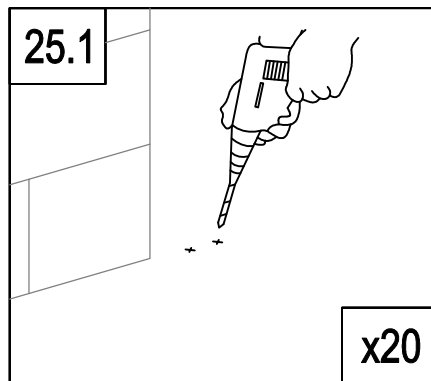
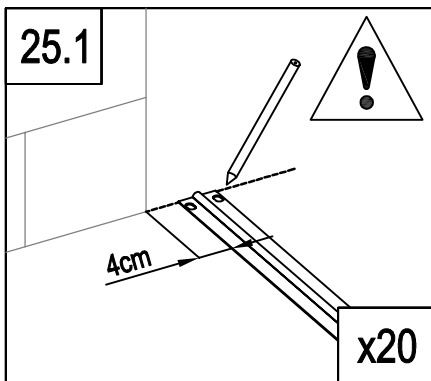
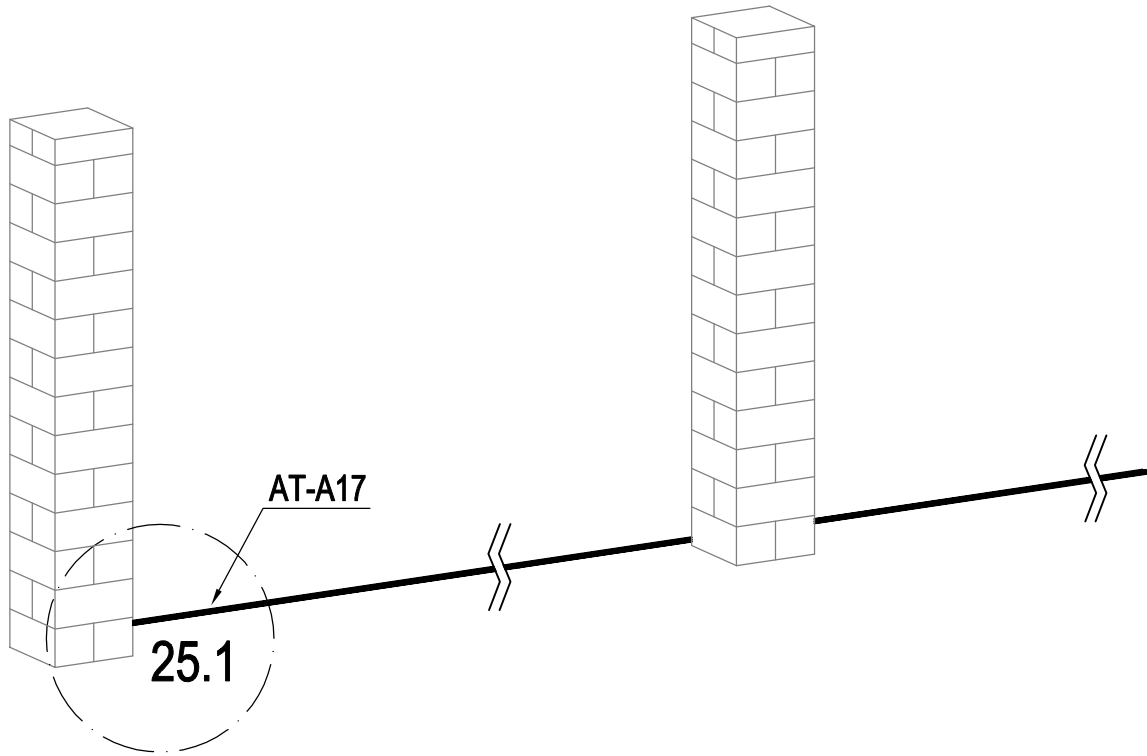
	ATW-14	1
	VT-R34	4





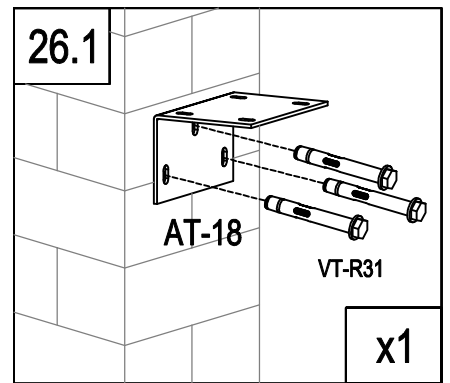
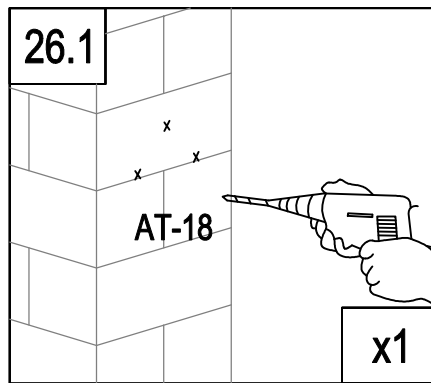
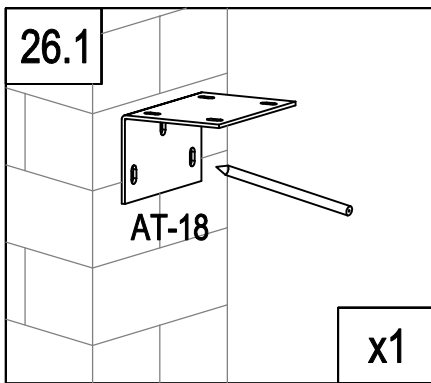
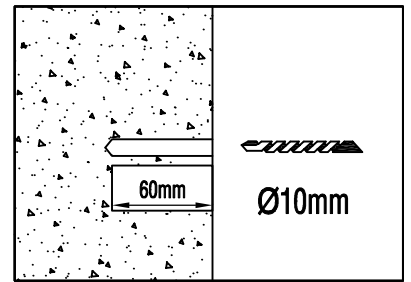
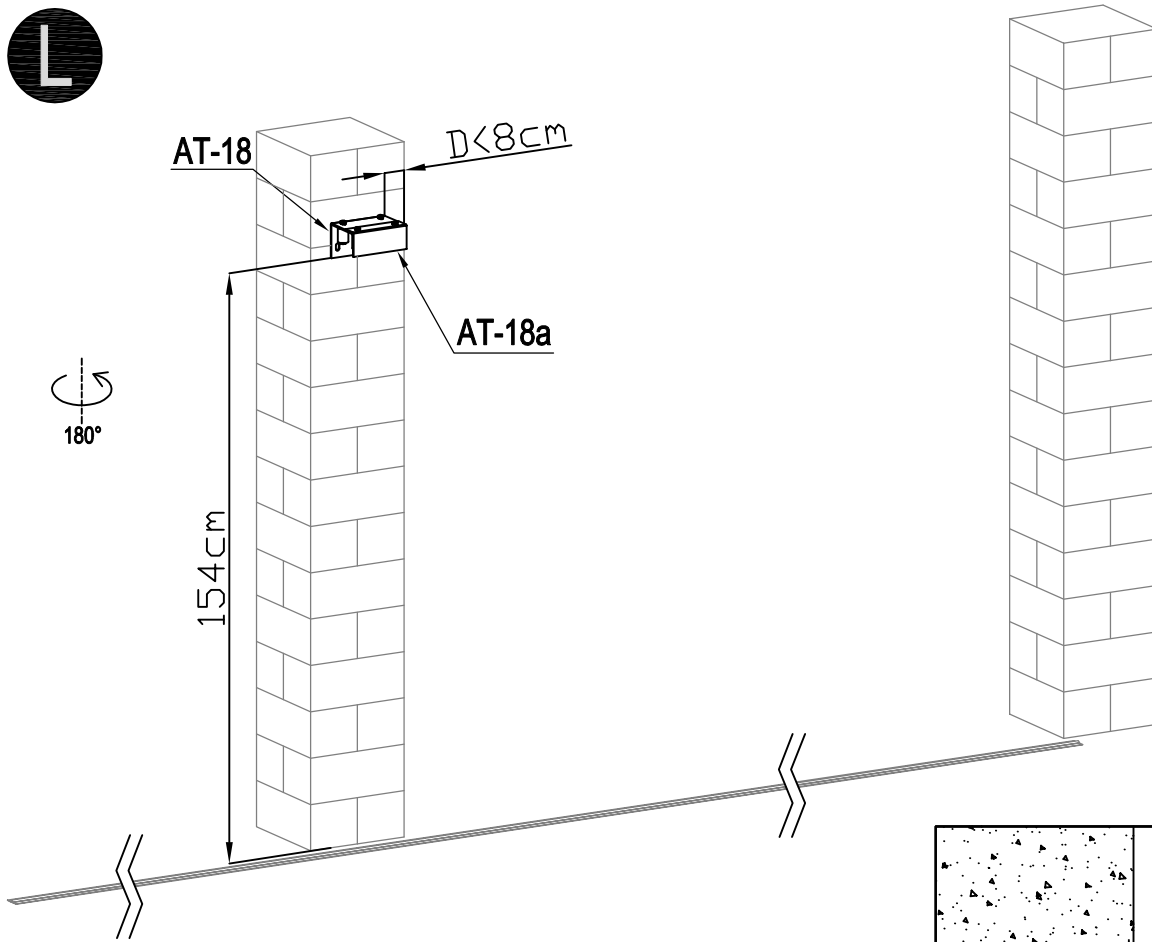
L : P25~30



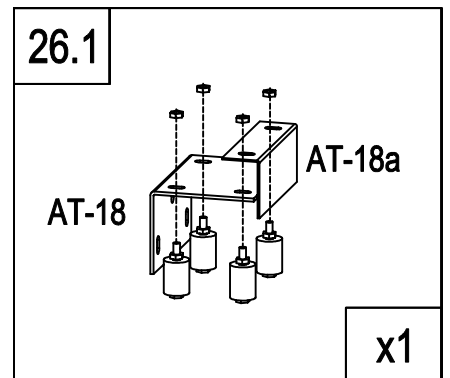
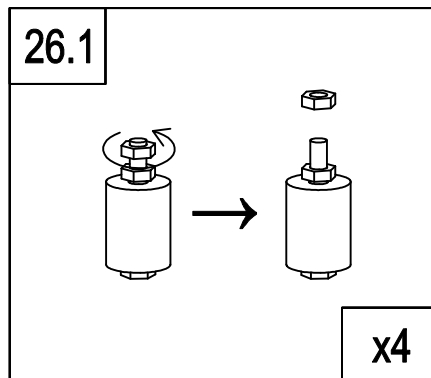
R : P31~36



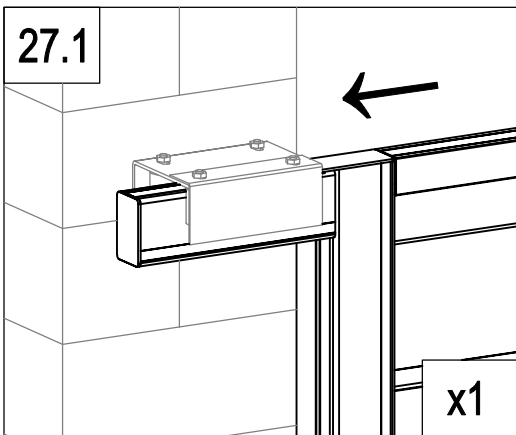
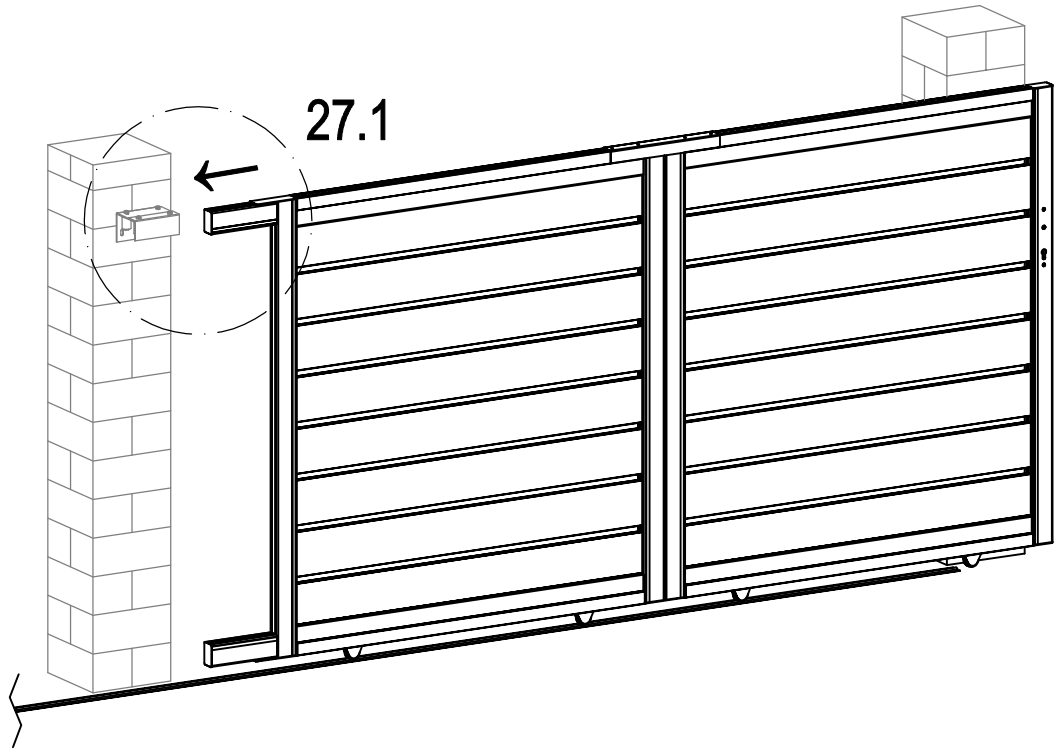
	AT-A17	5
	VT-R38	40



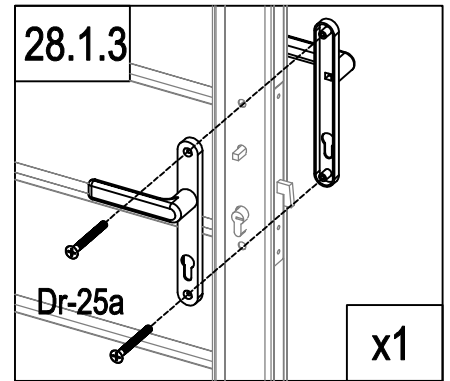
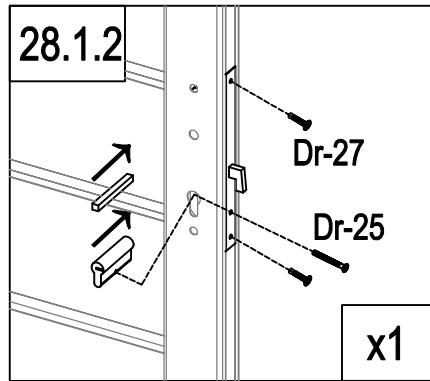
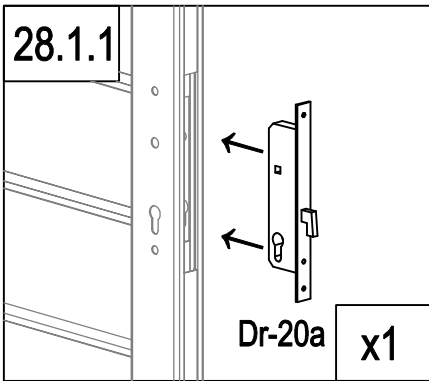
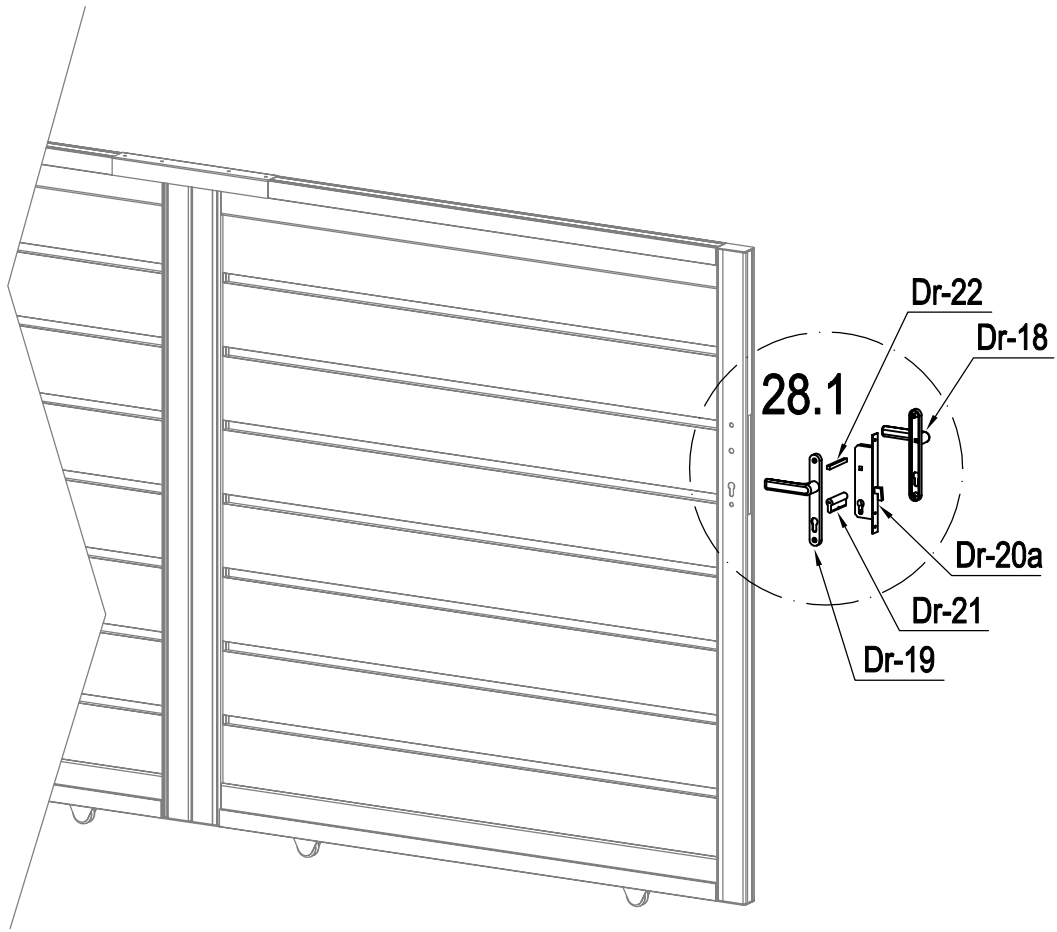
	AT-18	1
	AT-18a	1
	AT-20	4
	VT-R31	3



L

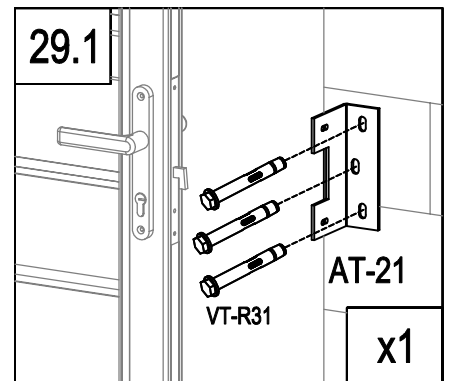
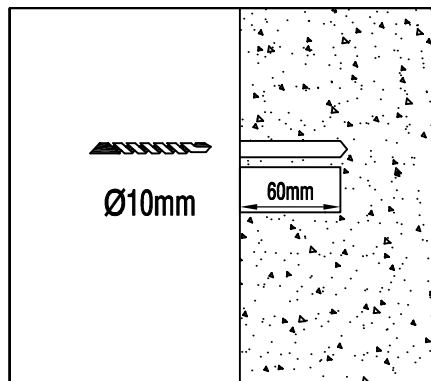
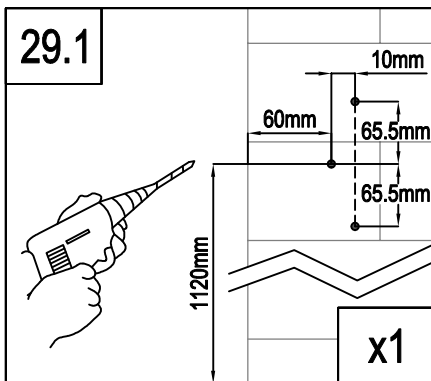
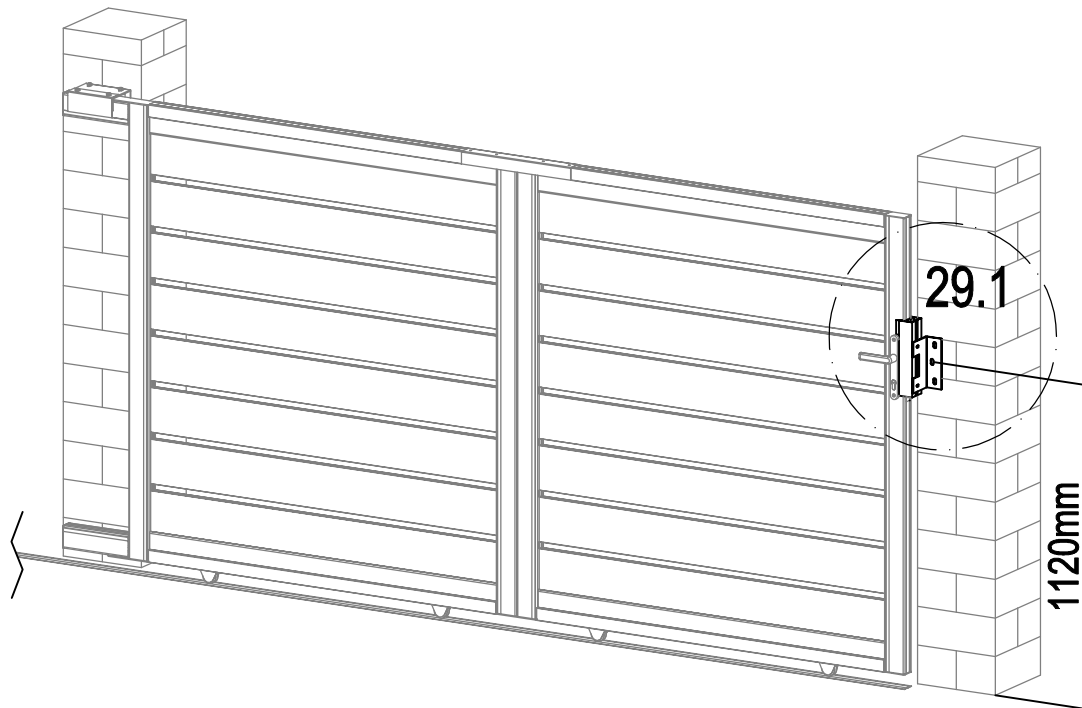


L

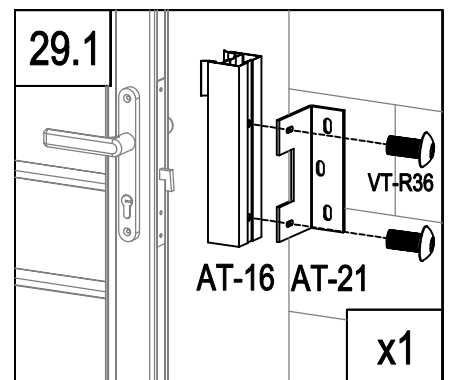
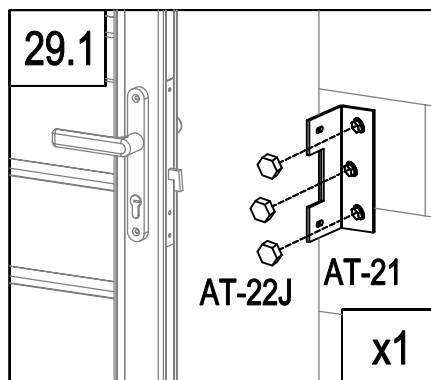


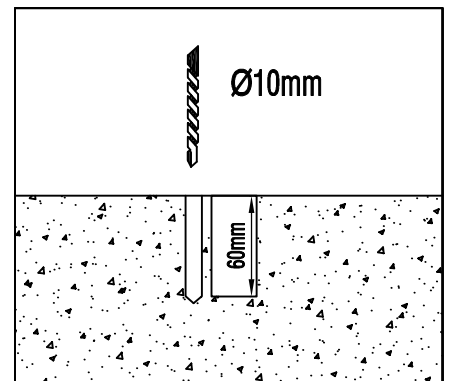
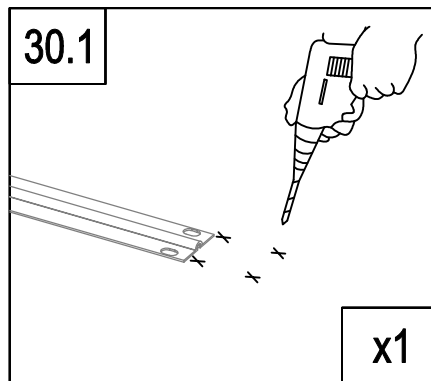
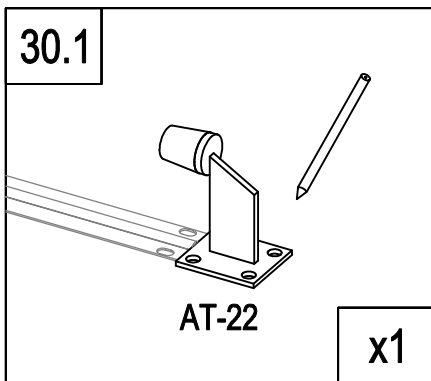
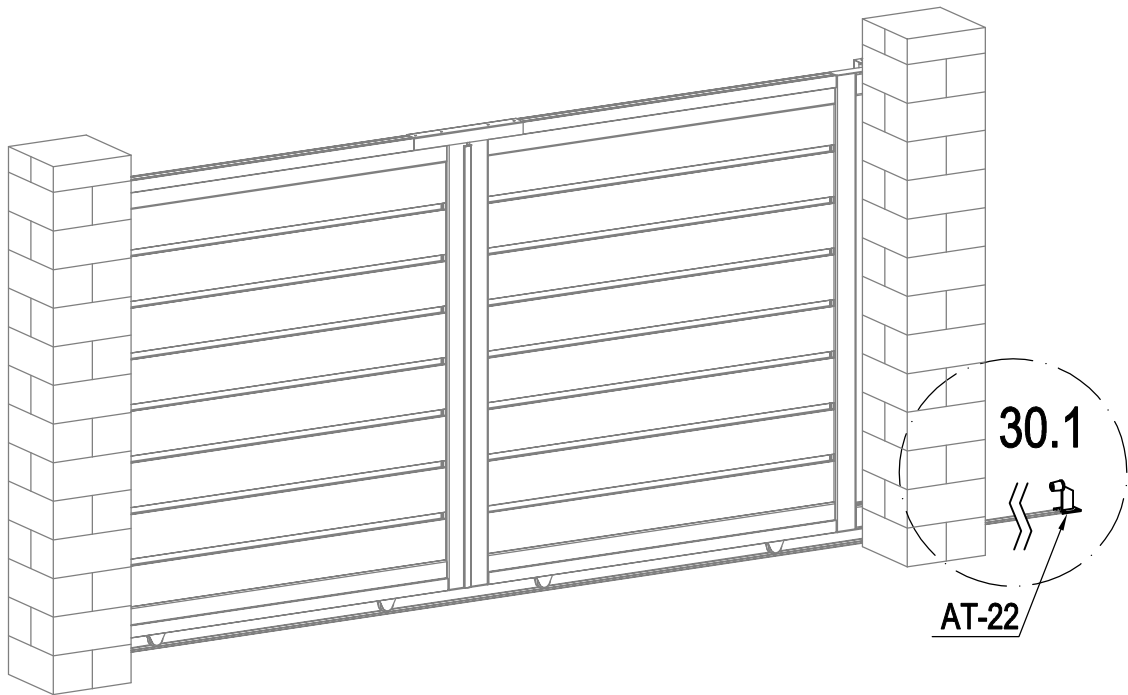
	Dr-20a	1
	Dr-21	1
	Dr-22	1
	Dr-25	1

	Dr-18	1
	Dr-19	1
	Dr-25a	2
	Dr-27	2

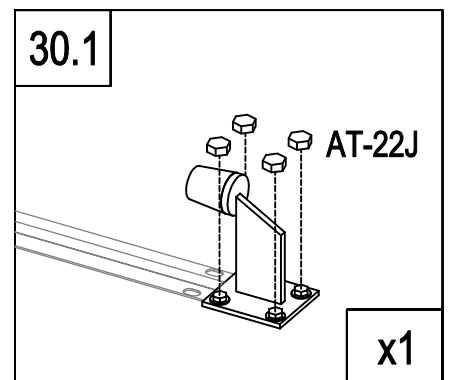
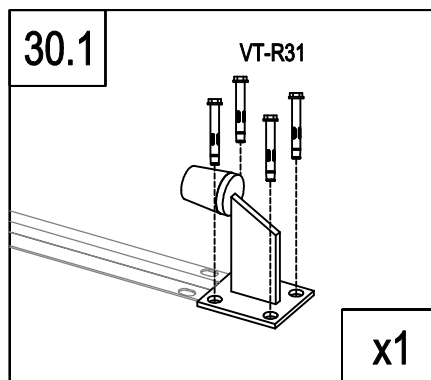


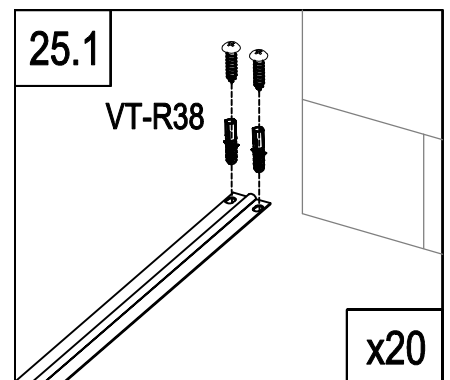
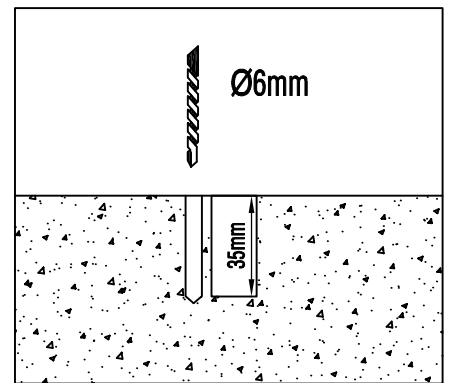
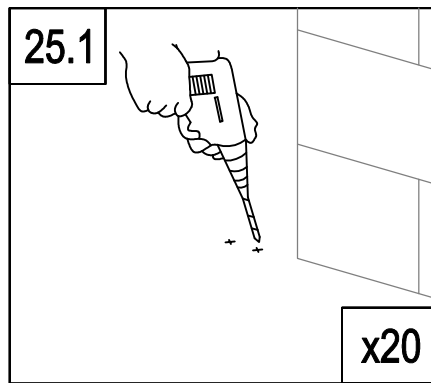
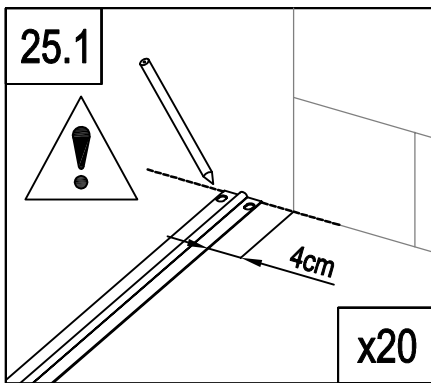
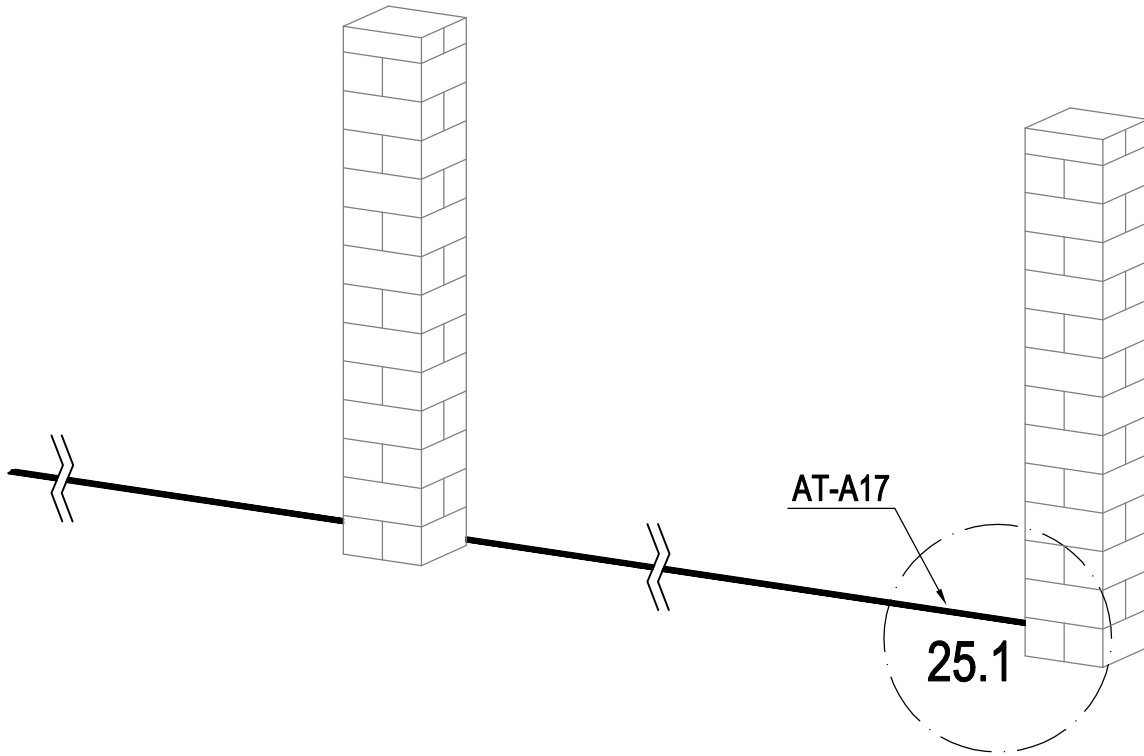
	AT-16	1
	AT-21	1
	VT-R36	2
	VT-R31	3
	AT-22J	3







	AT-22	1
	VT-R31	4
	AT-22J	4

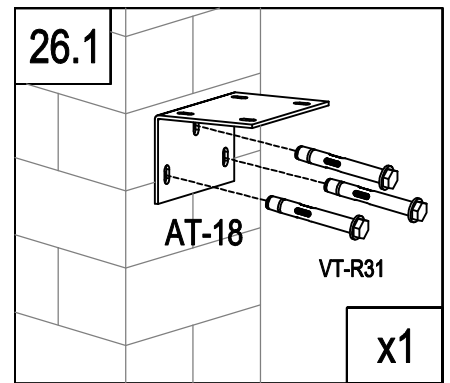
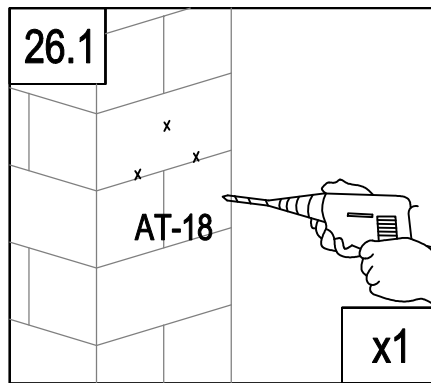
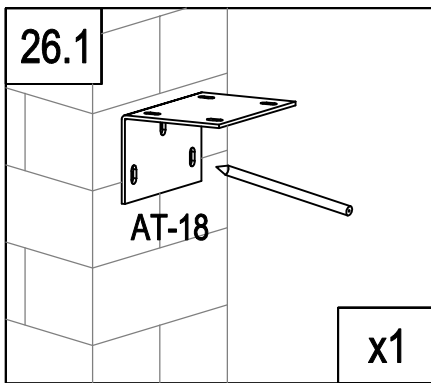
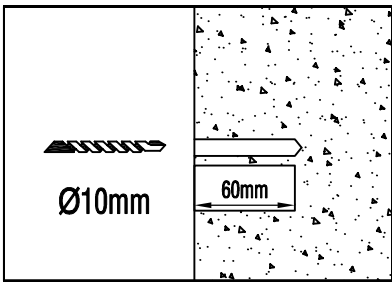
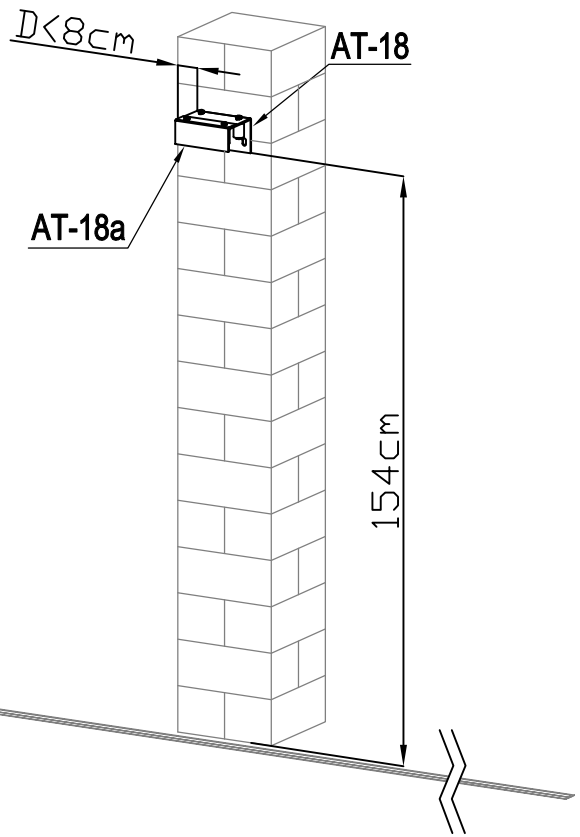
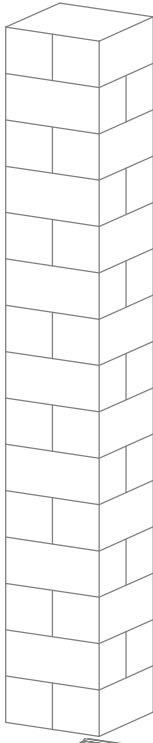




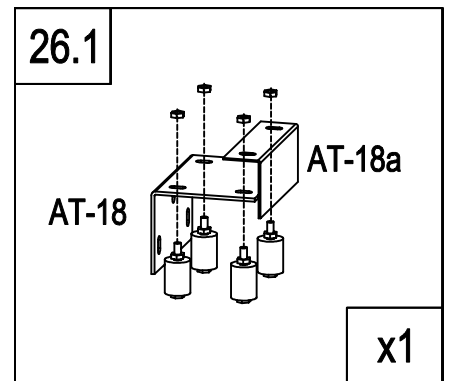
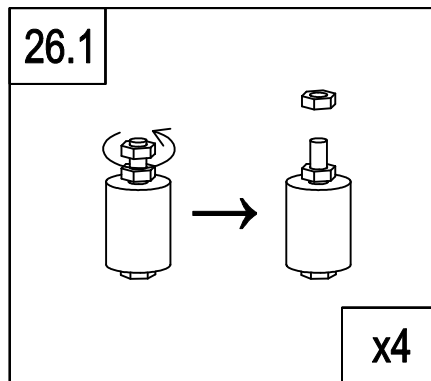
	AT-A17	5
	VT-R38	40

R

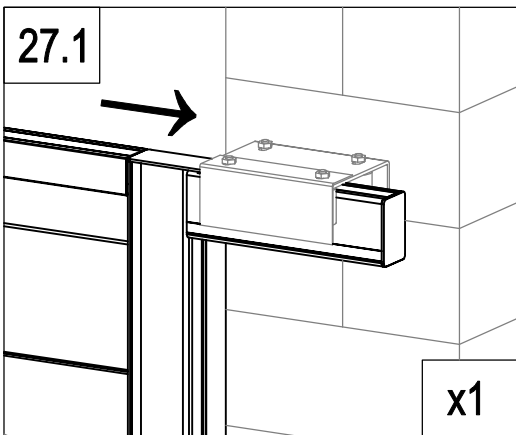
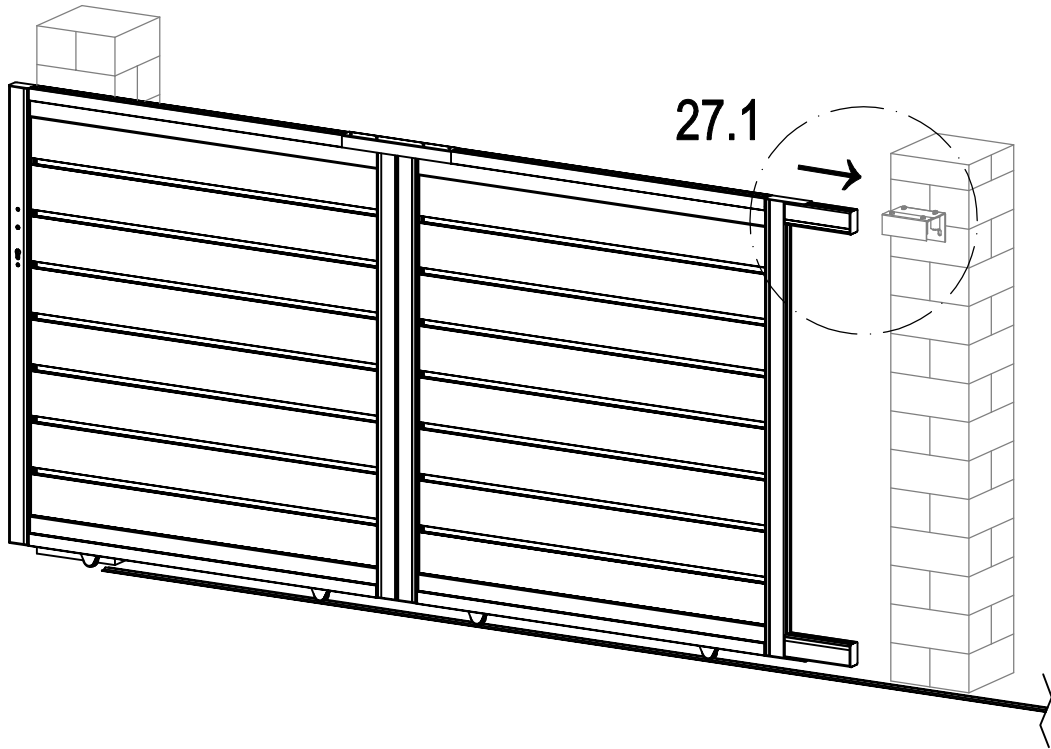
180°

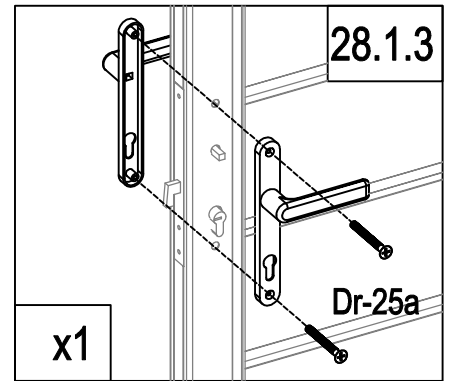
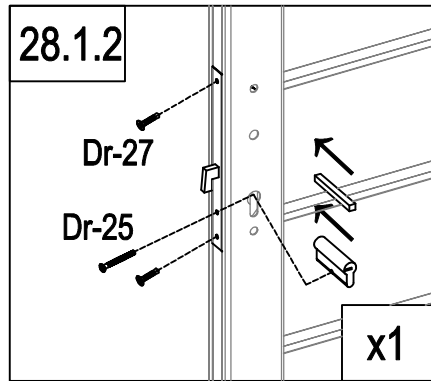
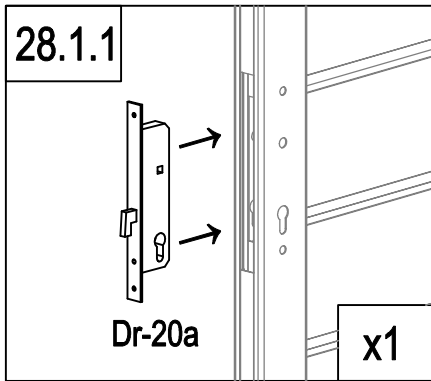
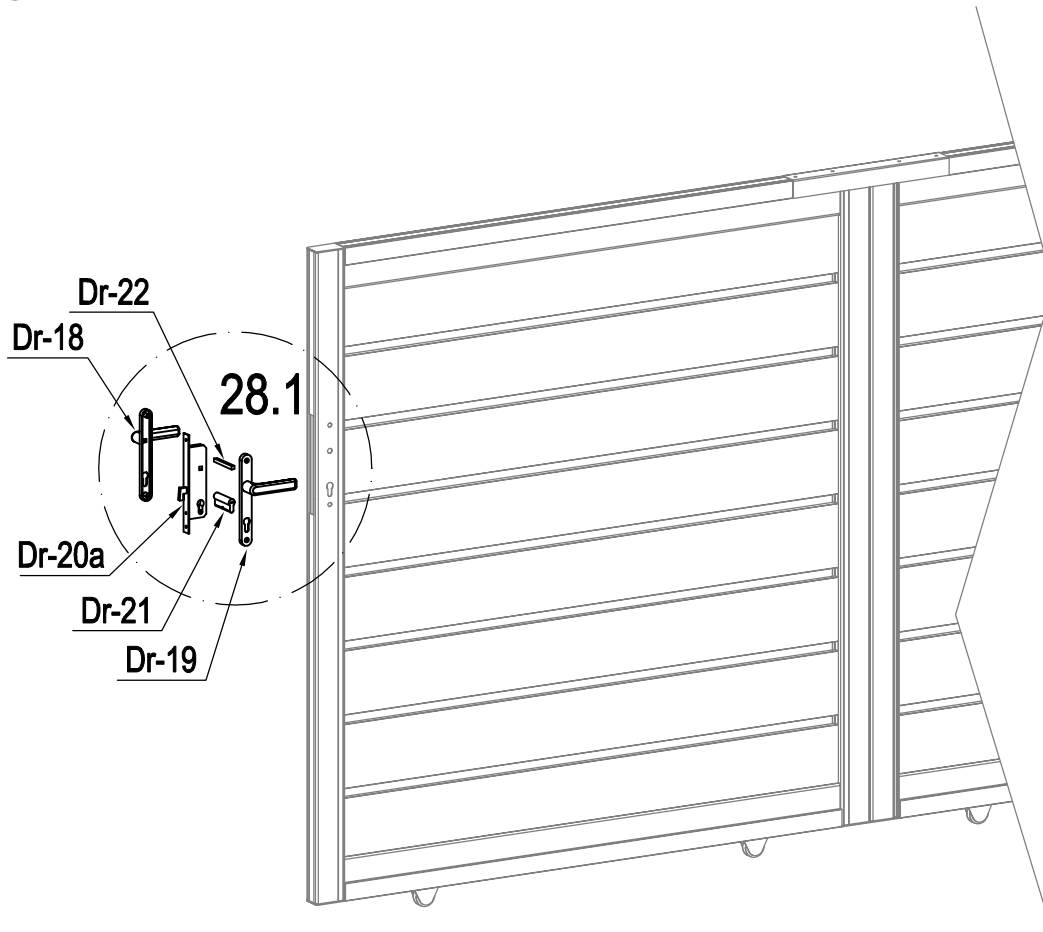


	AT-18	1
	AT-18a	1
	AT-20	4
	VT-R31	3



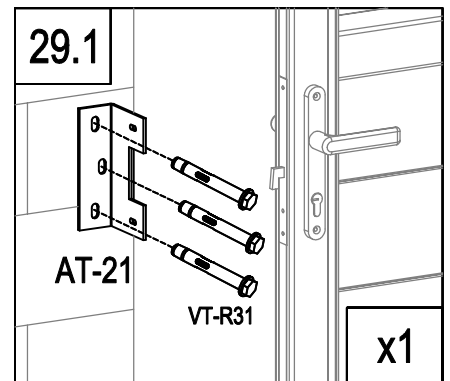
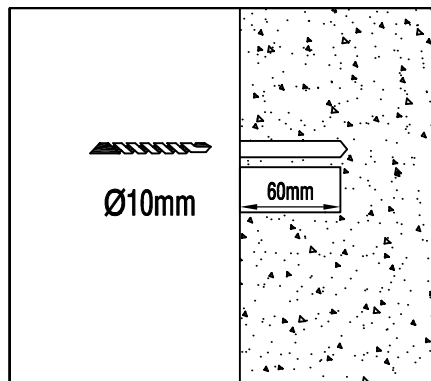
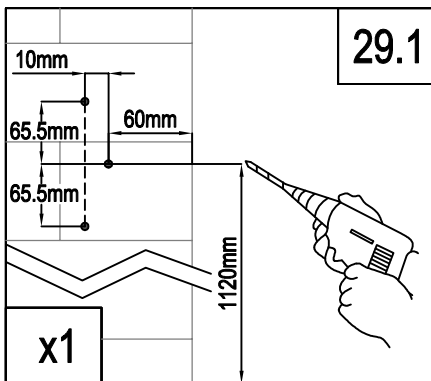
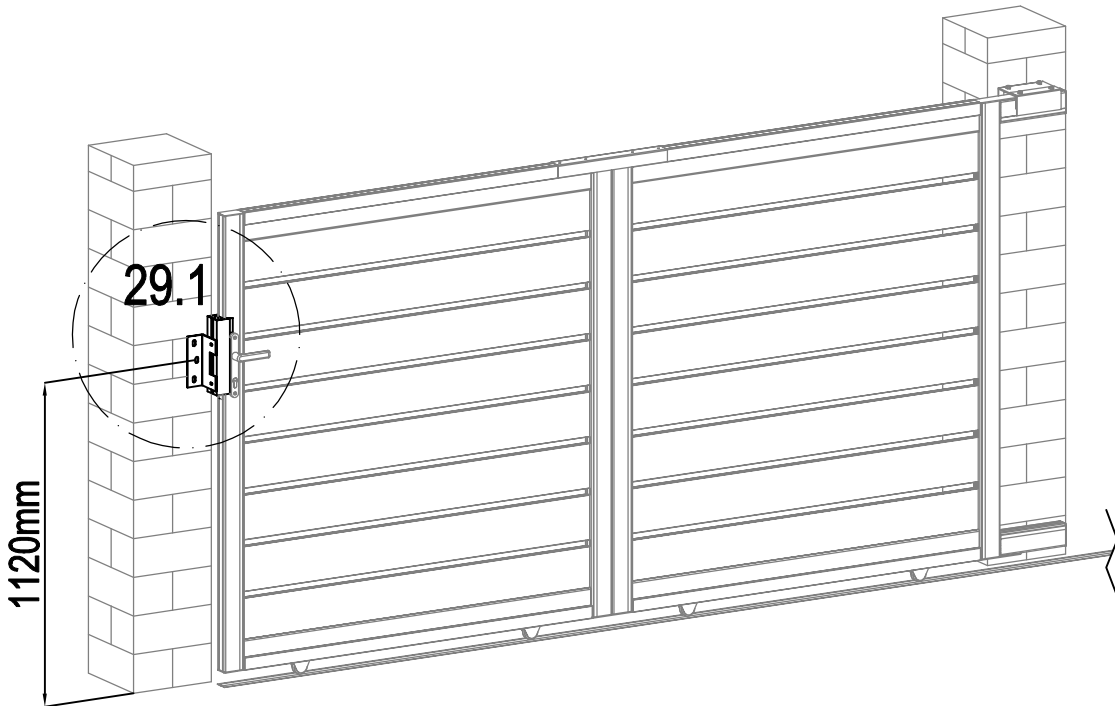
R



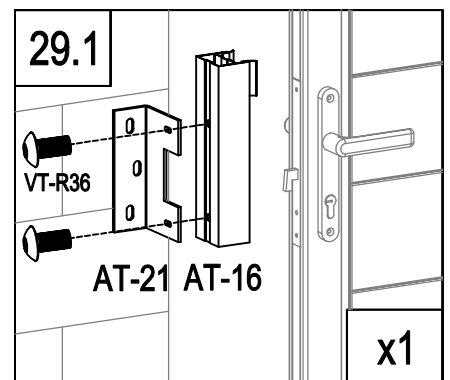
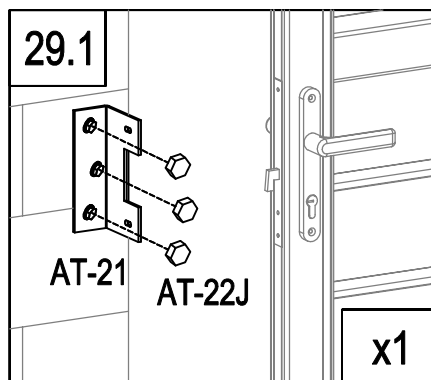


	Dr-20a	1
	Dr-21	1
	Dr-22	1
	Dr-25	1

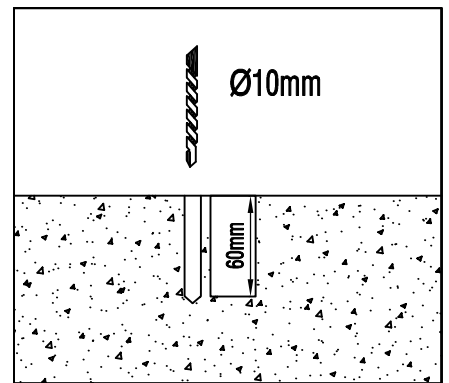
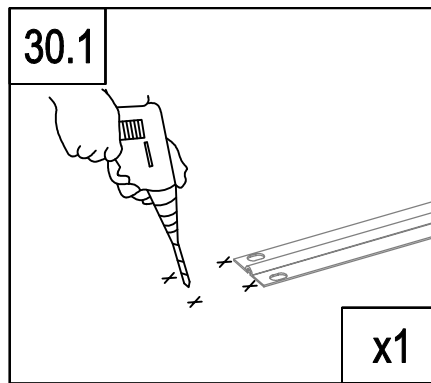
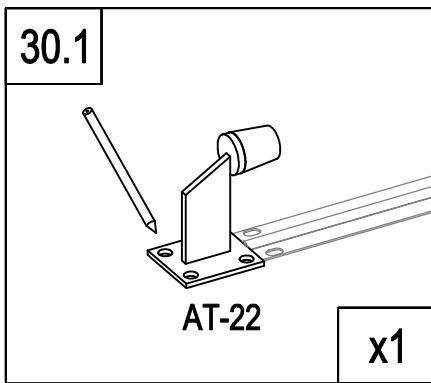
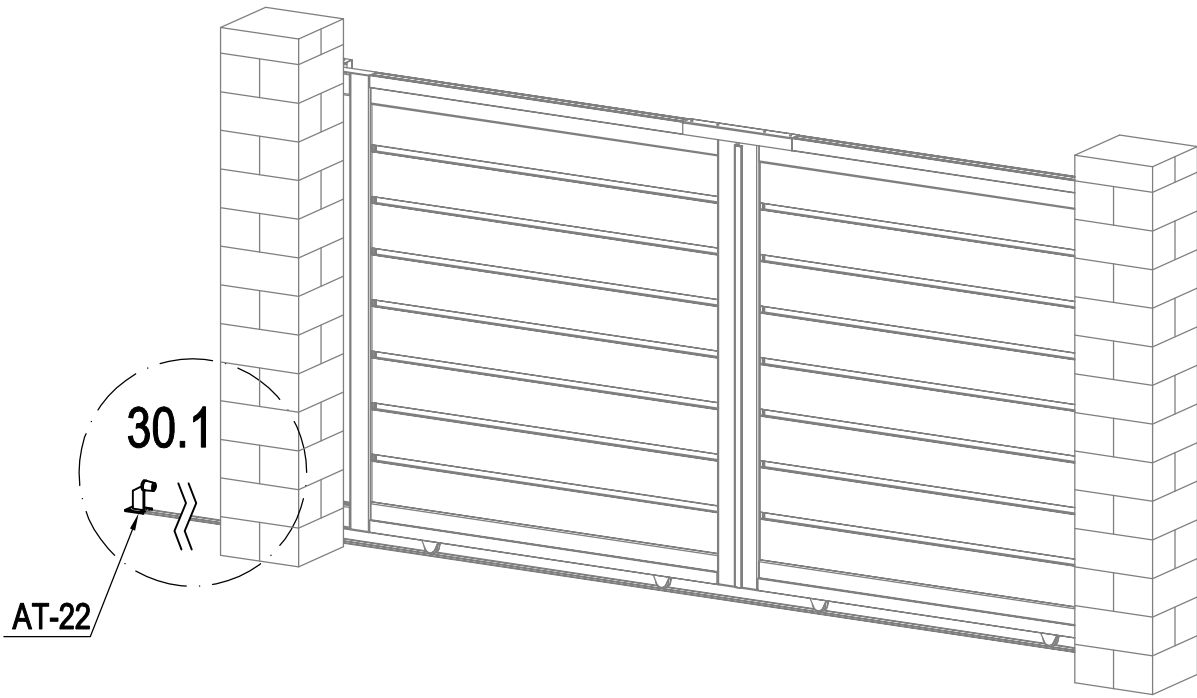
	Dr-18	1
	Dr-19	1
	Dr-25a	2
	Dr-27	2



	AT-16	1
	AT-21	1
	VT-R36	2
	VT-R31	3
	AT-22J	3



R



	AT-22	1
	VT-R31	4
	AT-22J	4

