

5'

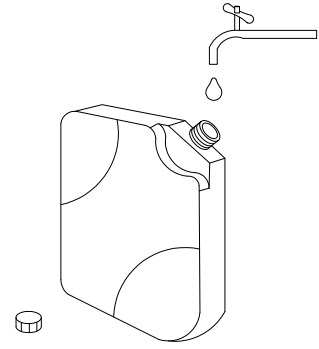


1

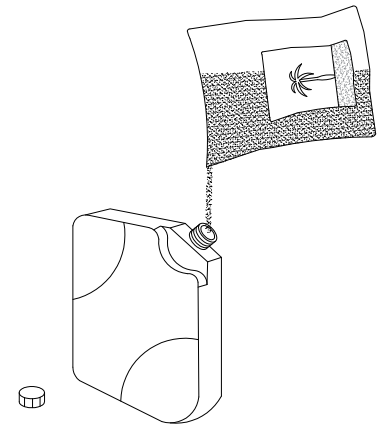
1/3

676(BASE.4PCS/160817)

1a



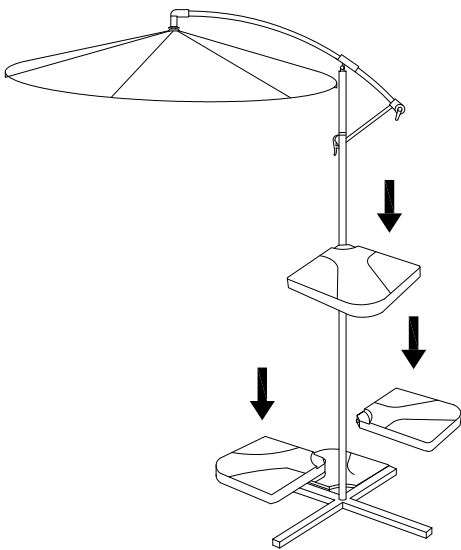
1b



2/3

676(BASE.4PCS/160817)

!



3/3

676(BASE.4PCS/160817)