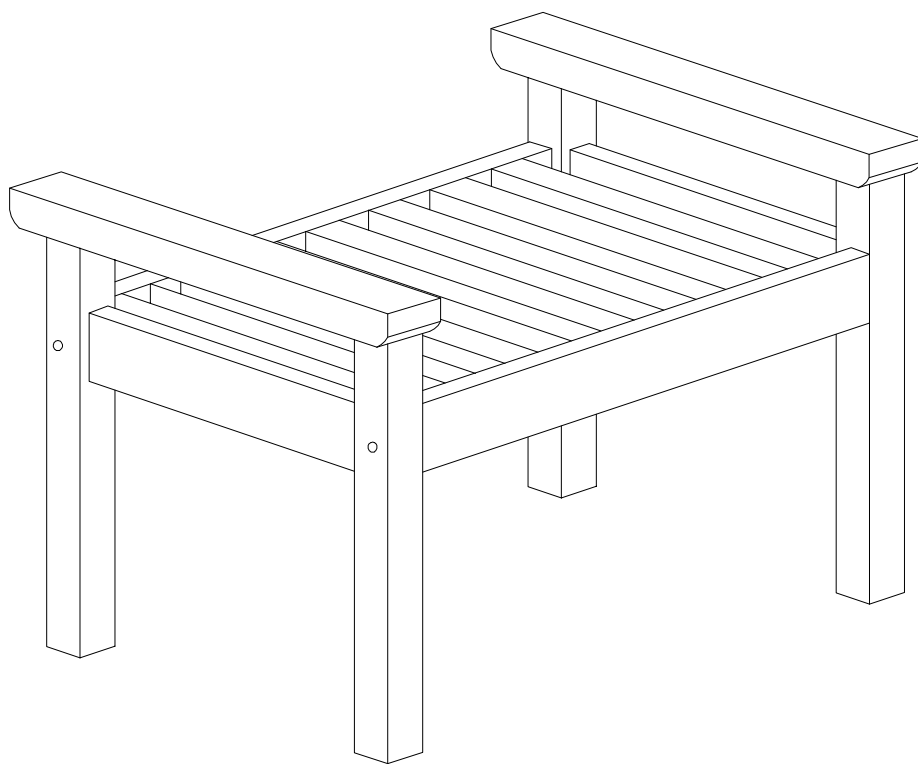


MANILA



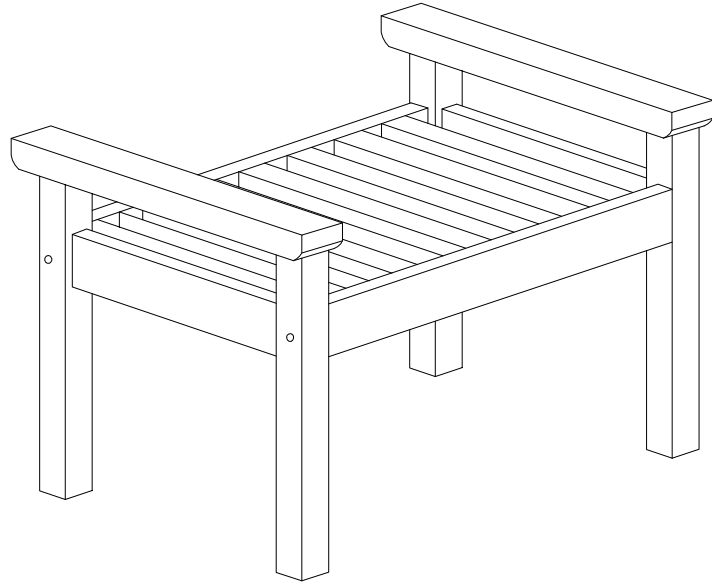
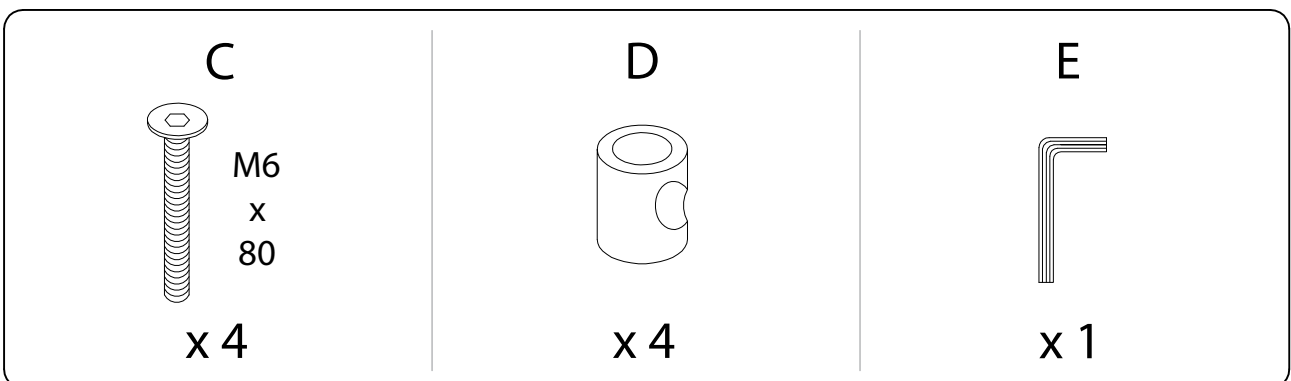
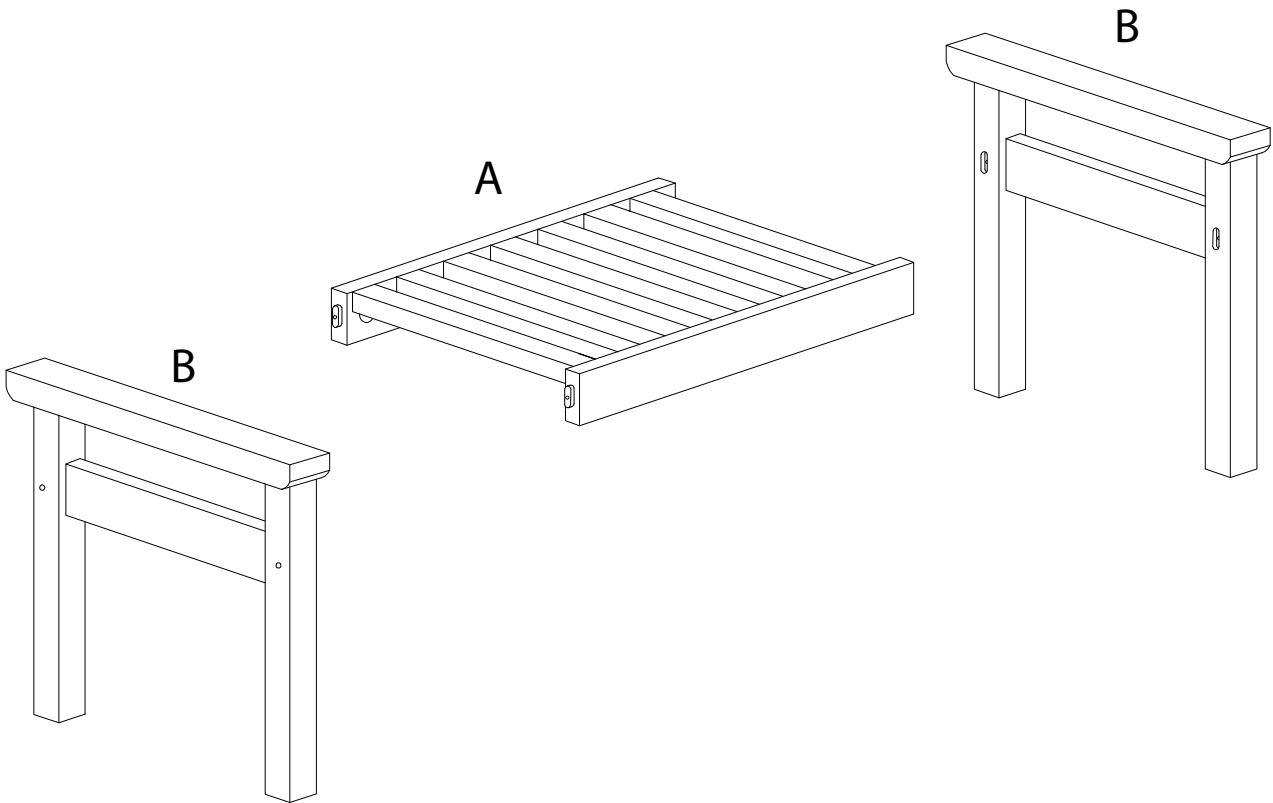
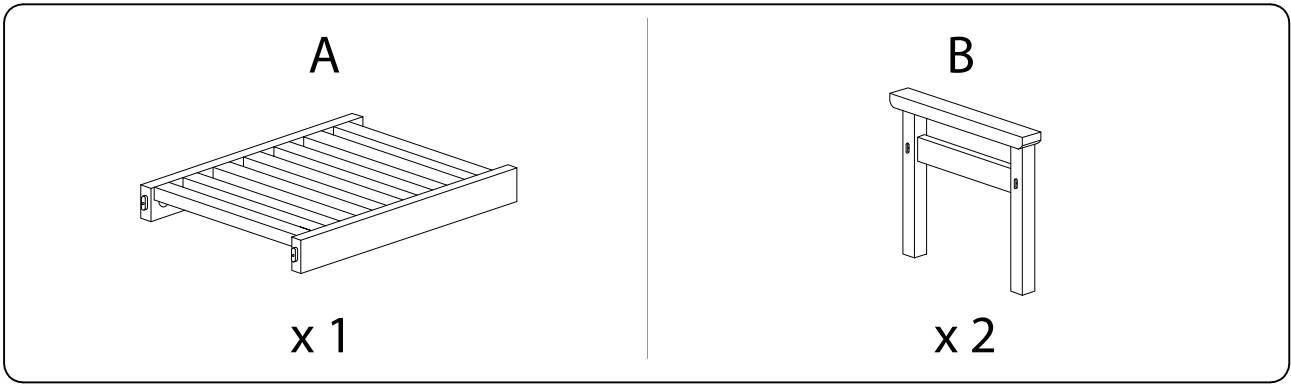


Diagram illustrating assembly instructions and safety warnings:

- Warning 1:** A warning triangle with an exclamation mark is shown next to a box containing an L-shaped metal bracket and a crossed-out power drill, indicating that a power drill should not be used to install this bracket.
- Warning 2:** A second warning triangle with an exclamation mark is shown next to a box containing a rectangular block being placed on a surface and a crossed-out block with a downward arrow, indicating that the block should not be placed on a soft or uneven surface.
- Time:** A clock icon with a circular arrow indicates a duration of 10 minutes.
- Personnel:** An icon of a person indicates that 1 person is required for this step.



1

