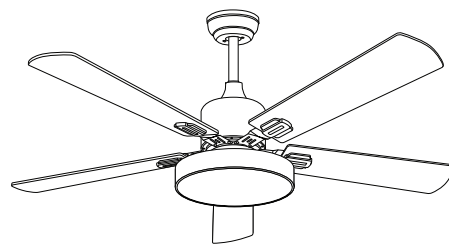
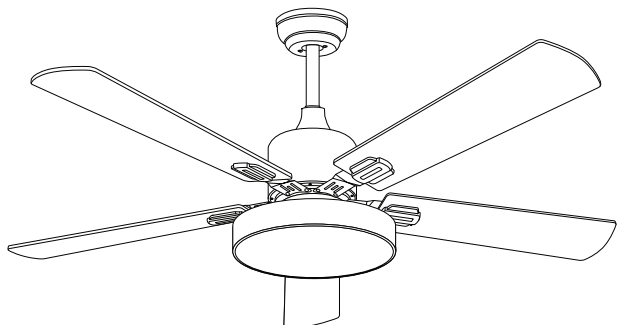


# HOBBLE



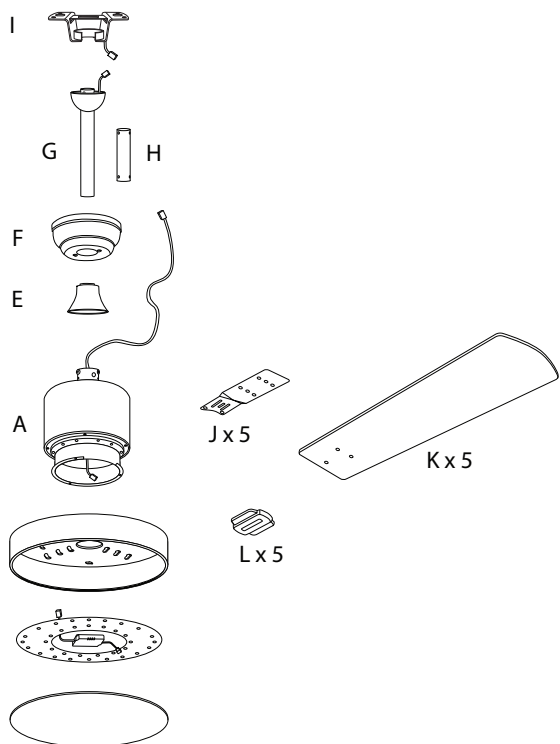
45'

2

Beliani

1/11

Beliani  
14911/HOBBLE/27062/3/



A  x1	B  x1	C  x1	D  x1
-------------	-------------	-------------	-------------

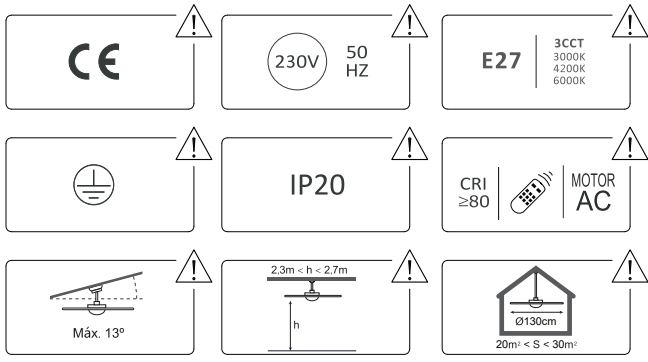
2/11

Beliani  
14911/HOBBLE/27062/3/

E  x1	F  x1	G  x1	H  x1
I  x1	J  x5	K  x5	L  x5
M  x1	N  x2	O  x4	P  x4
Q  x1	R  x1	S  x15	T  x15
U  x1			

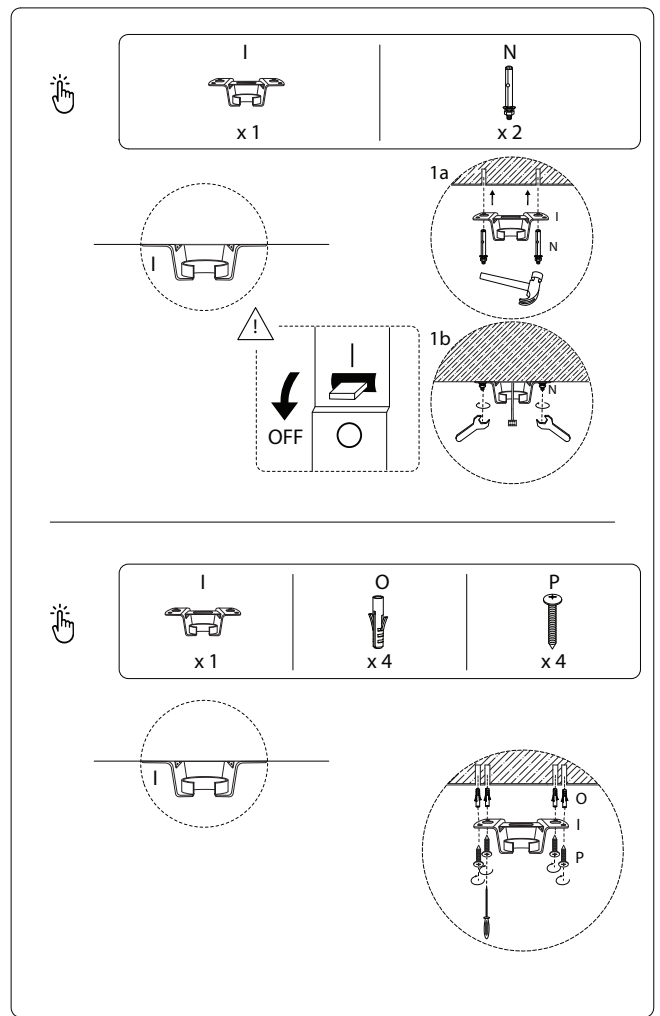
3/11

Beliani  
14911/HOBBLE/27062/3/



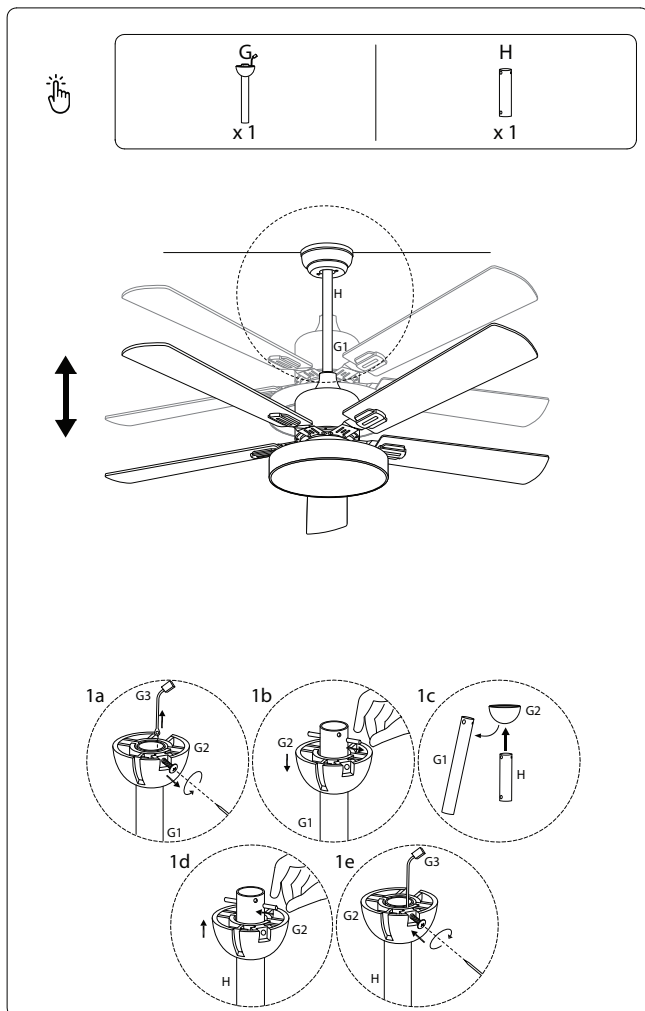
4/11

**Beliani**  
14911/H08BLEZ270623/



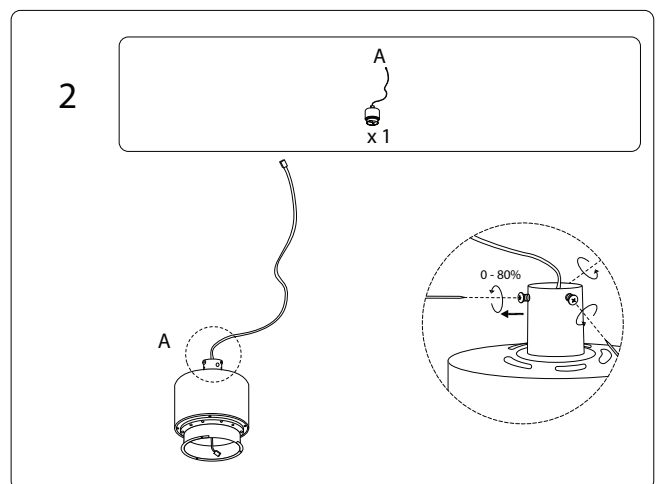
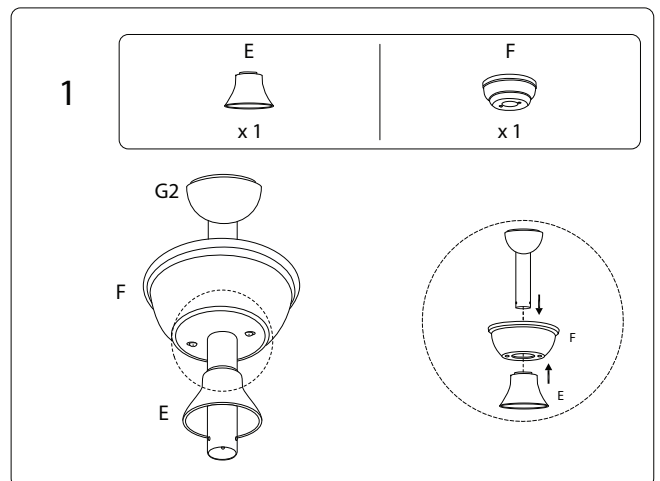
5/11

**Beliani**  
14911/H08BLEZ270623/



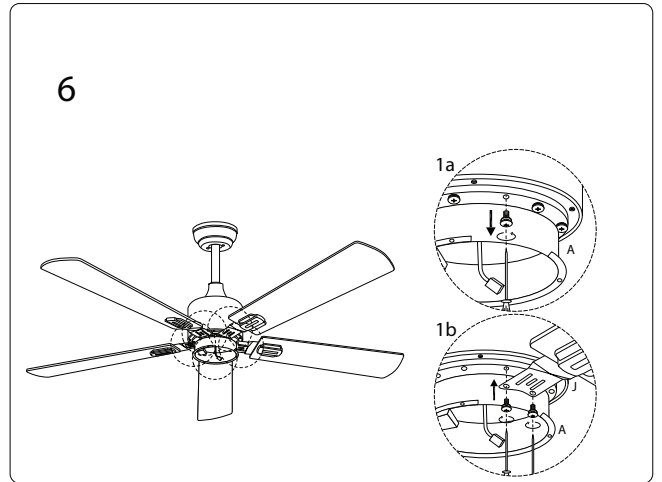
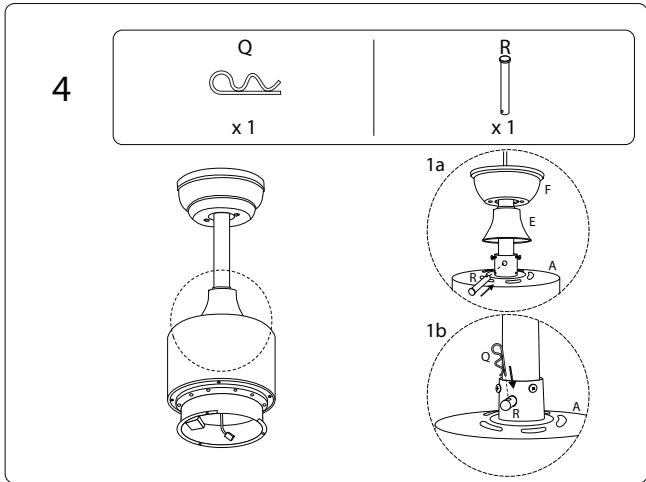
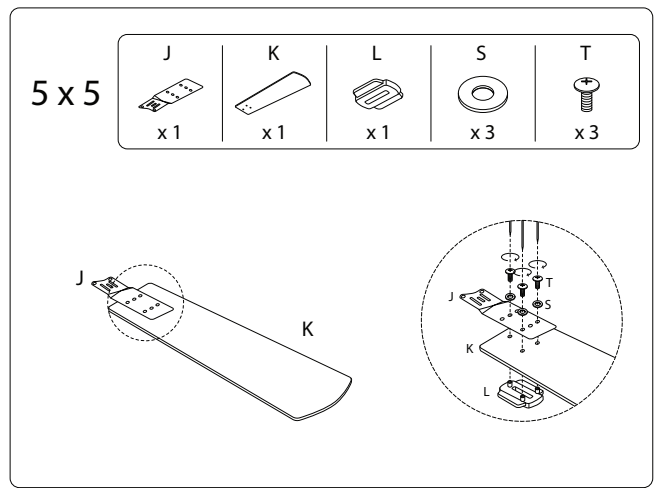
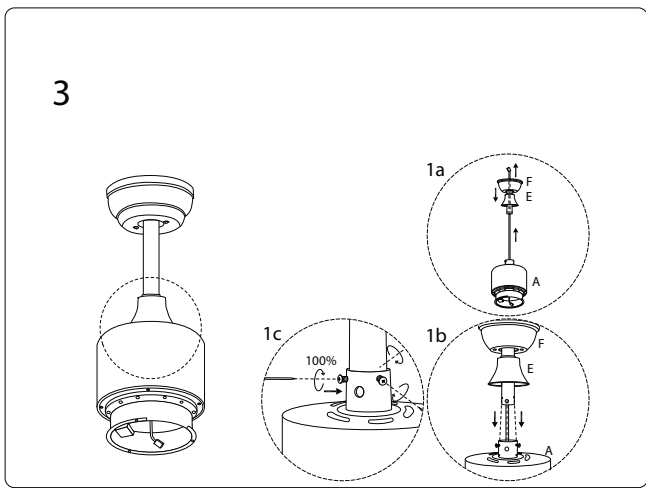
6/11

**Beliani**  
14911/H08BLEZ270623/



7/11

**Beliani**  
14911/H08BLEZ270623/

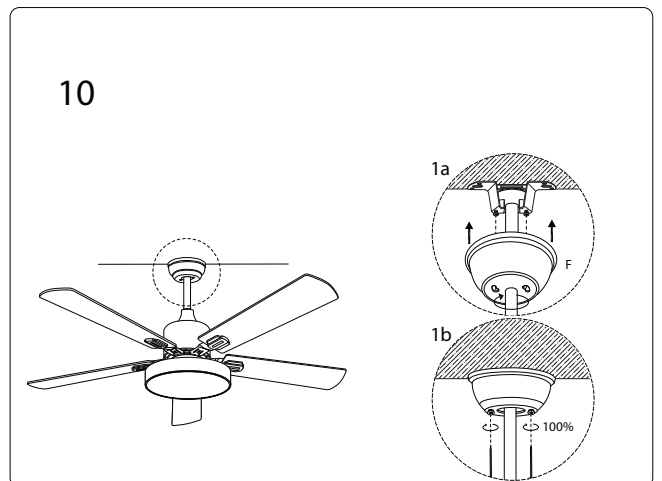
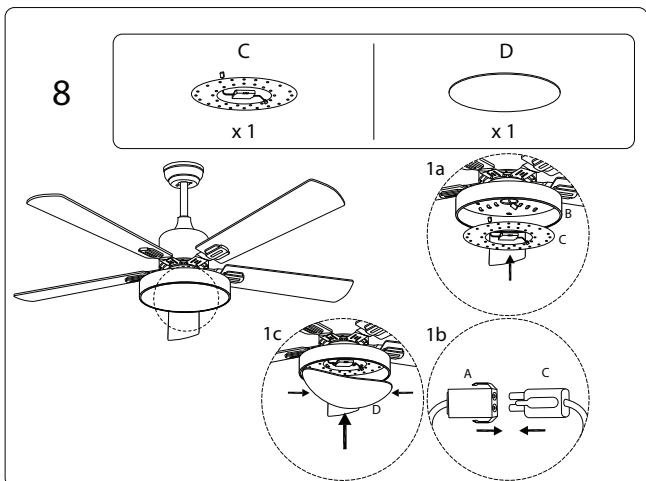
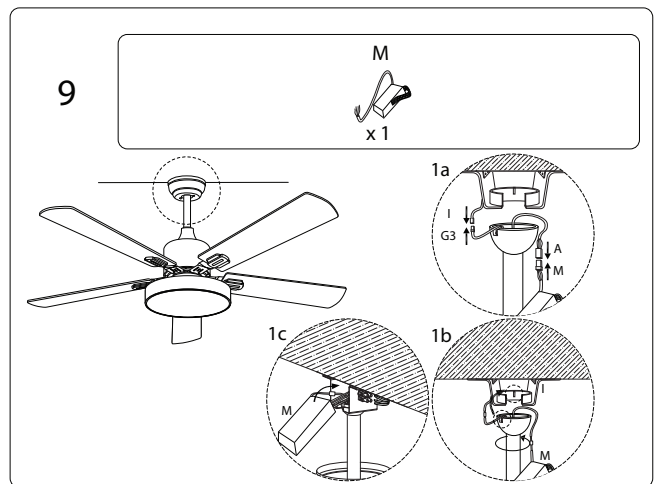
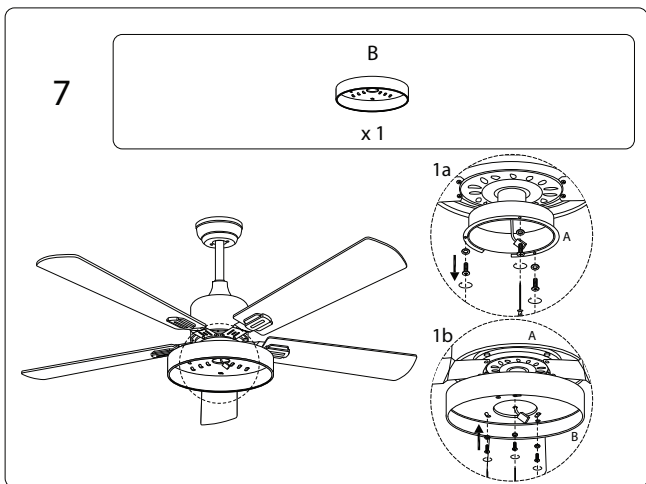


8/11

**Beliani**  
14911/H08BLEZ/270623/

9/11

**Beliani**  
14911/H08BLEZ/270623/



10/11

**Beliani**  
14911/H08BLEZ/270623/

11/11

**Beliani**  
14911/H08BLEZ/270623/