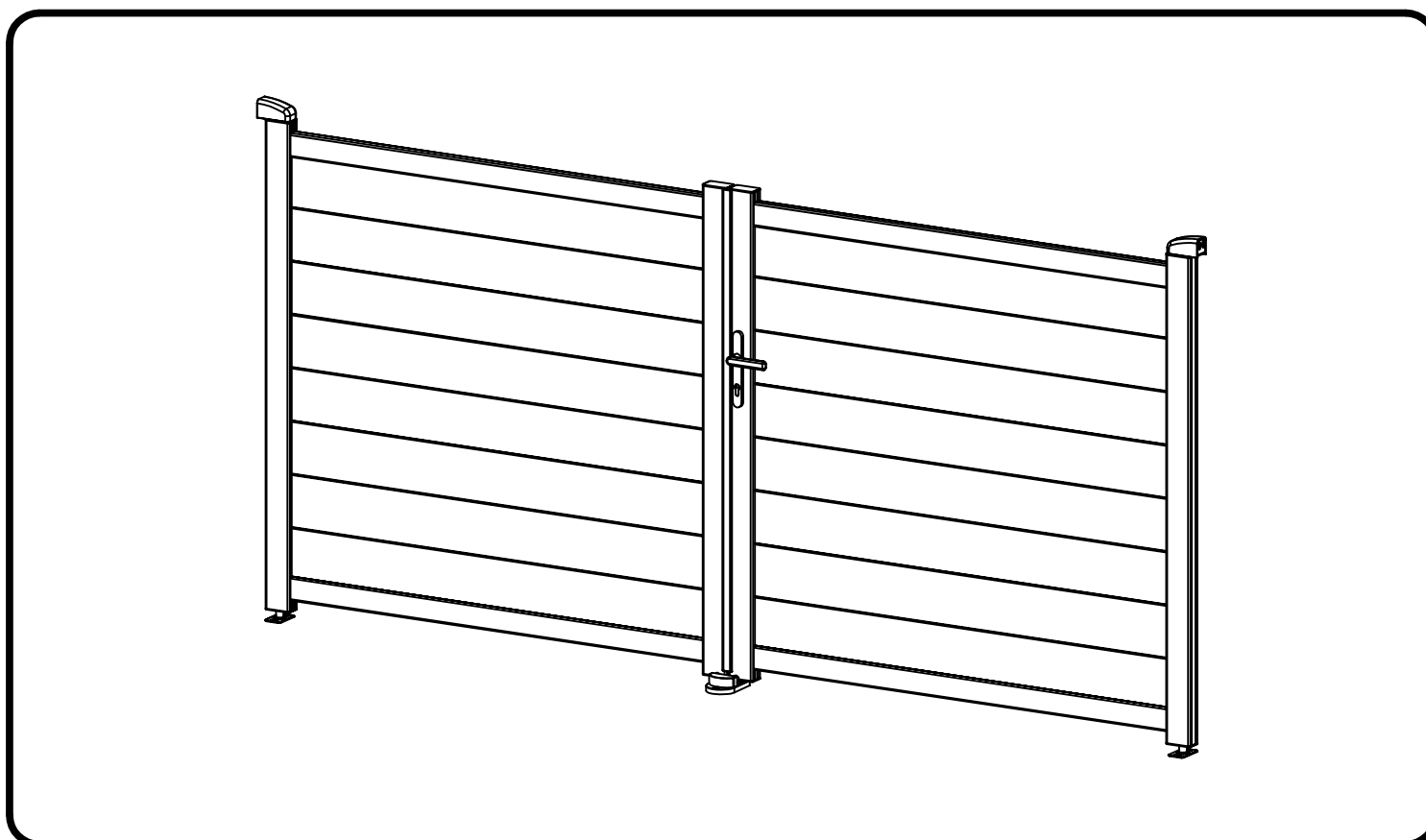


# CASANOVO

## EIGER 300B140



6-7H



x2

COM-000275

[x1]

COM-000276

[x1]

FR

EN

ES

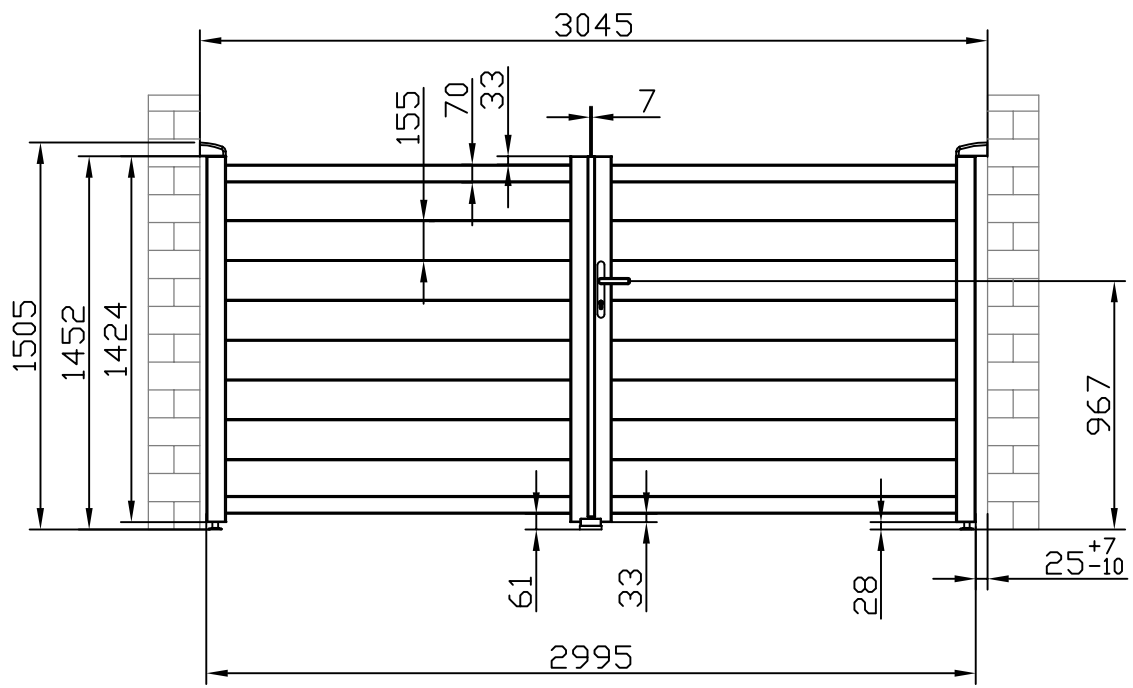
DE

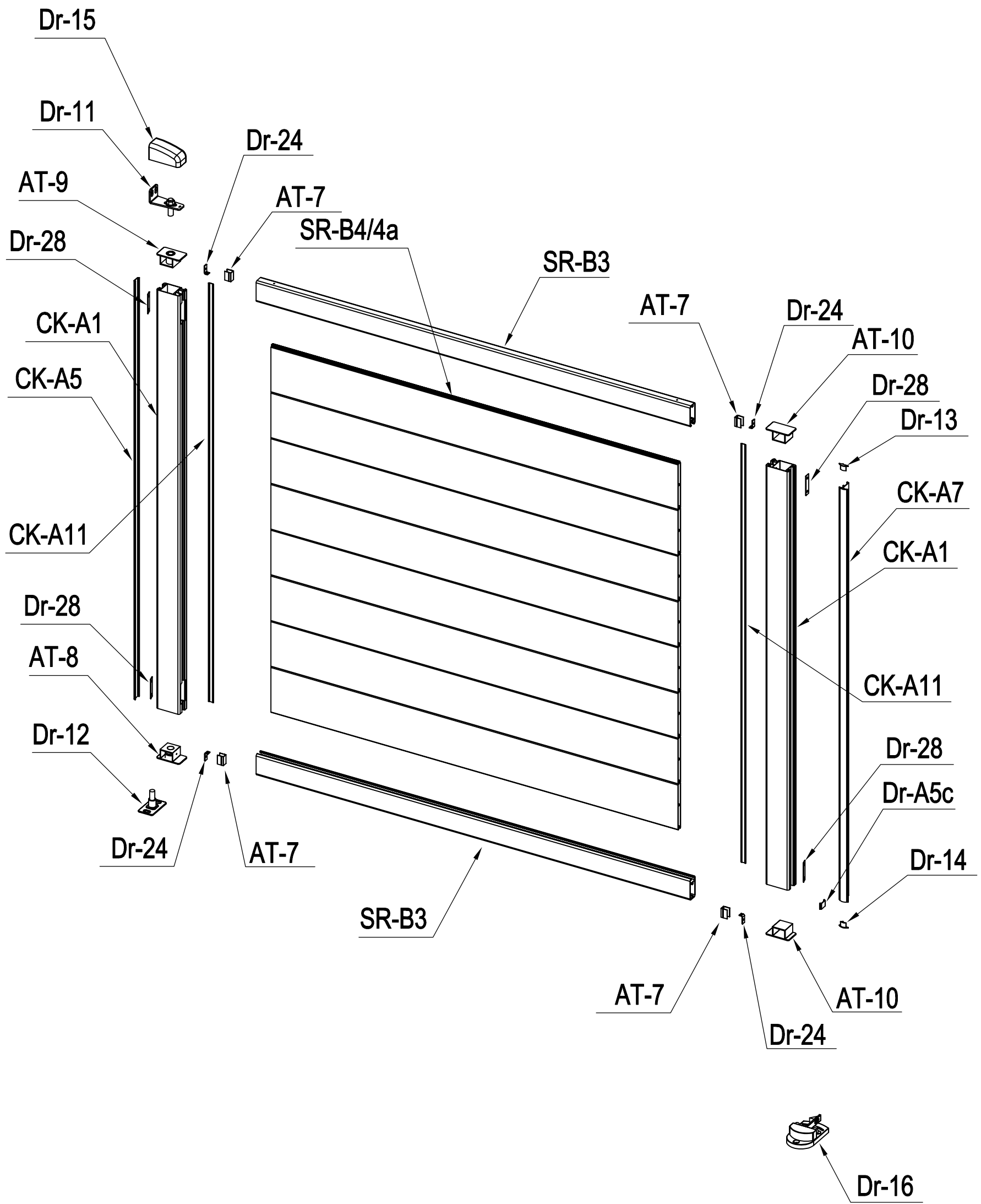
IT

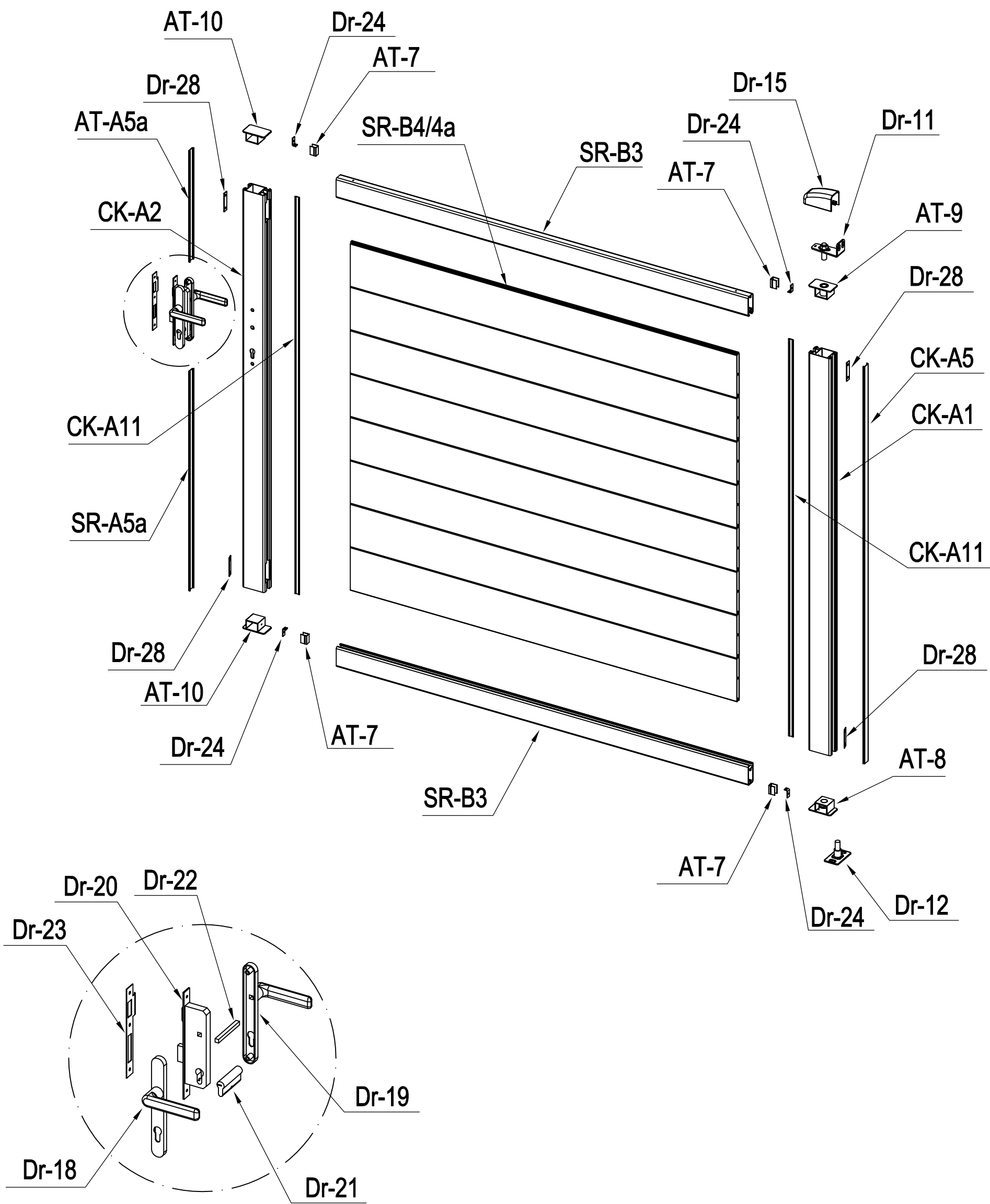
NL

PL

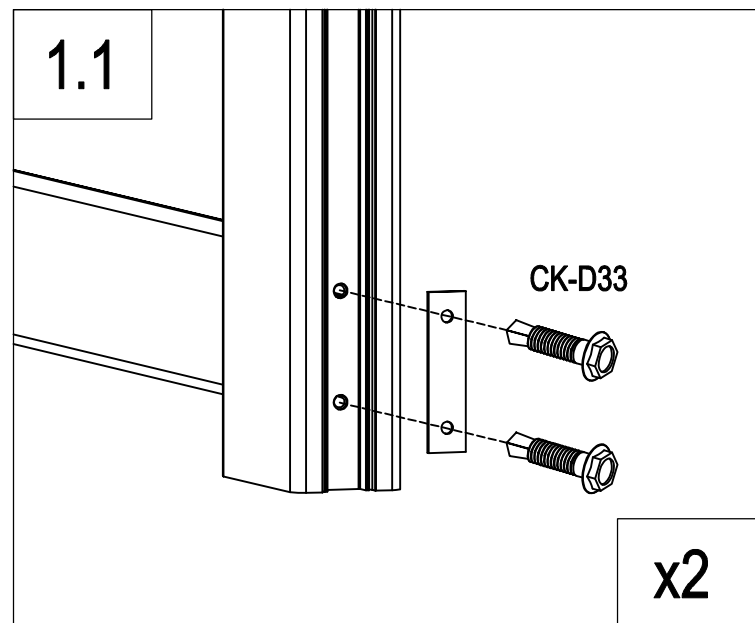
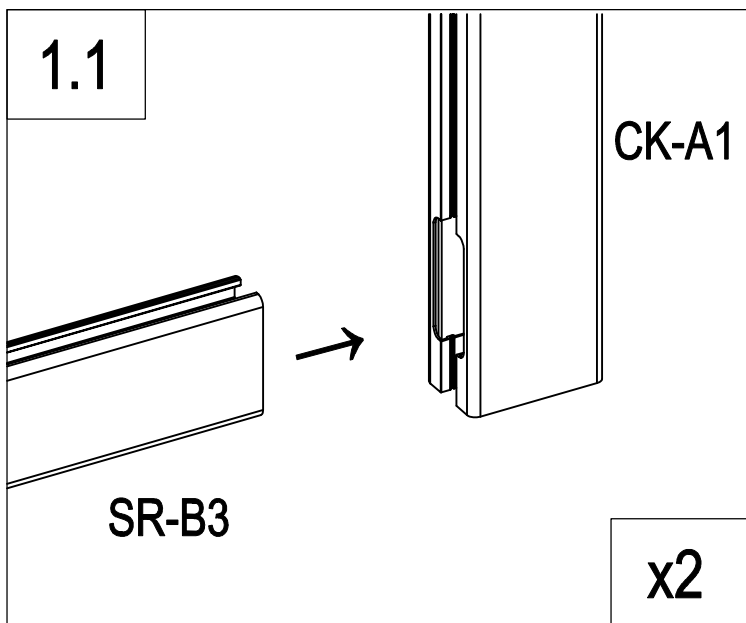
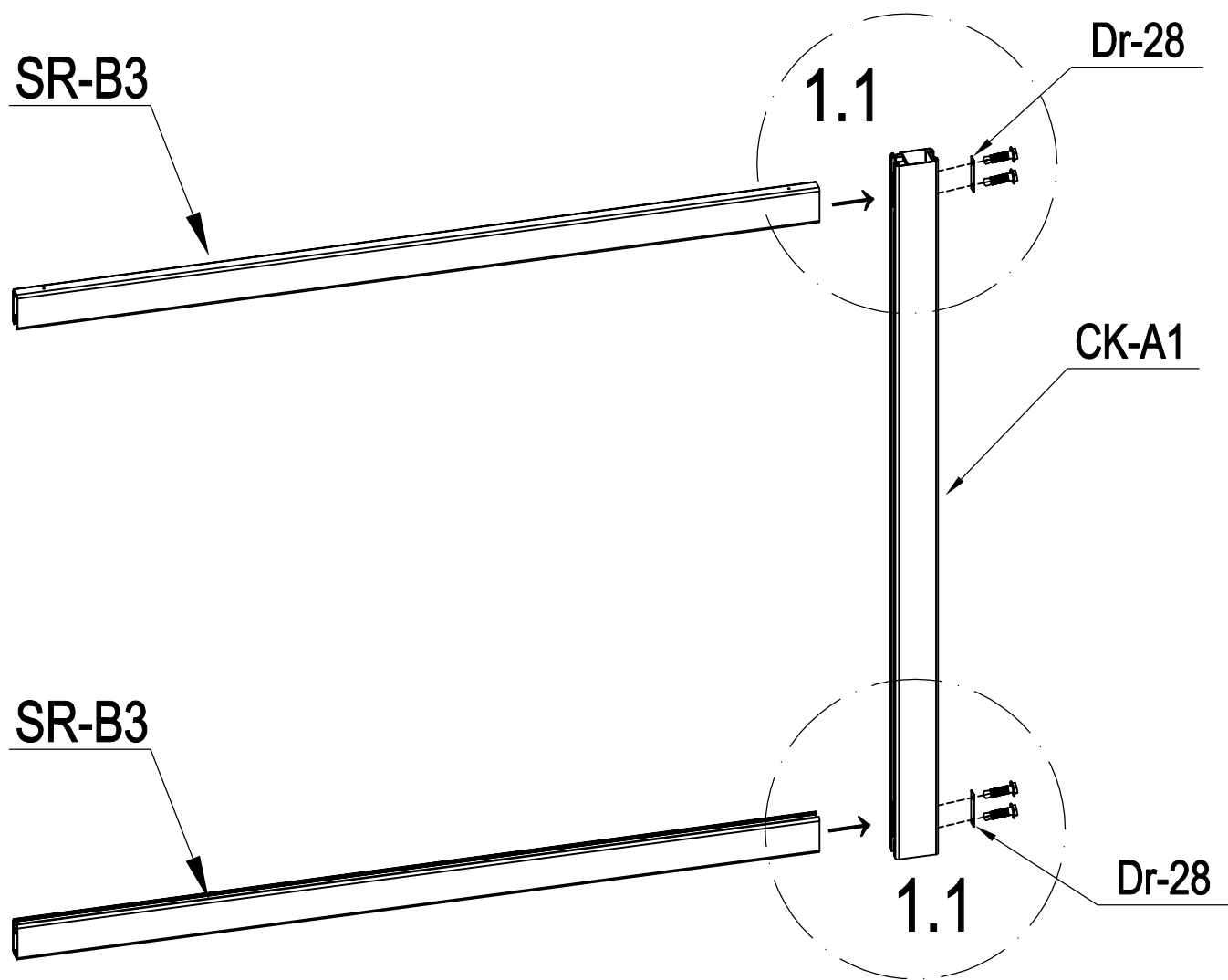


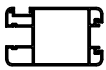
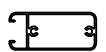




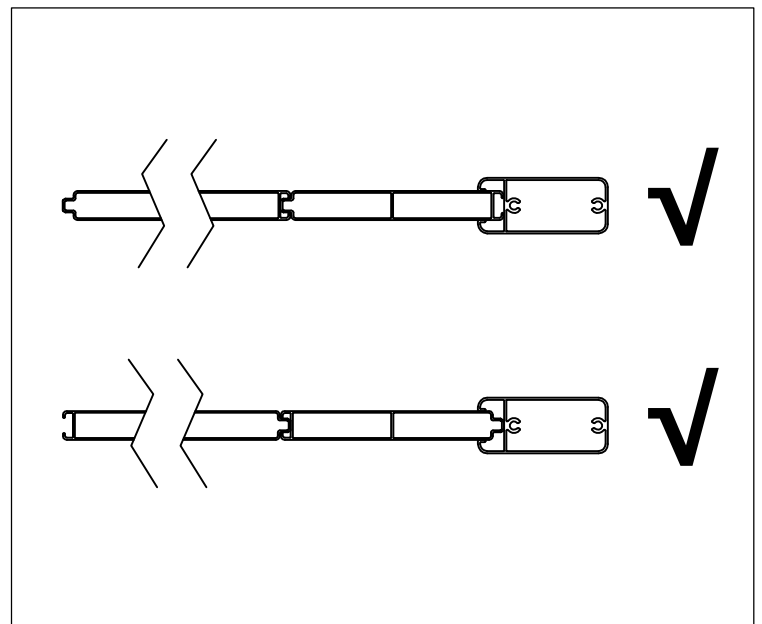
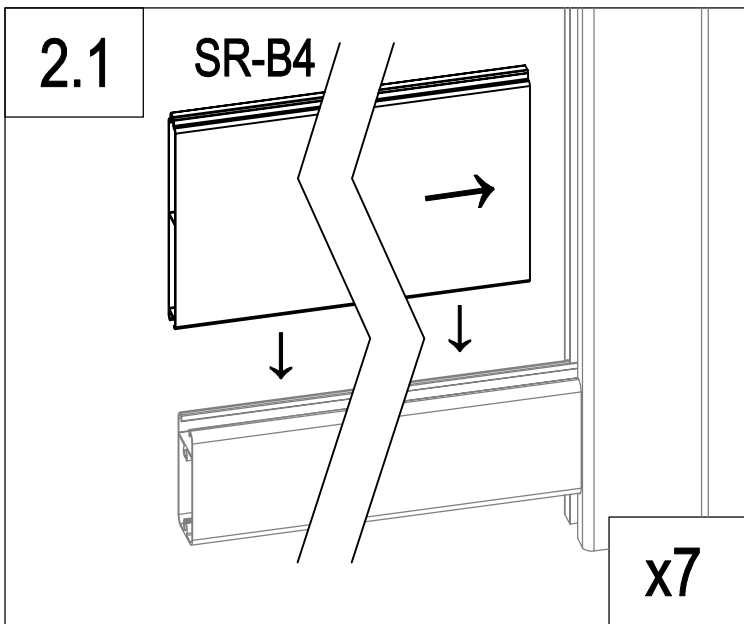
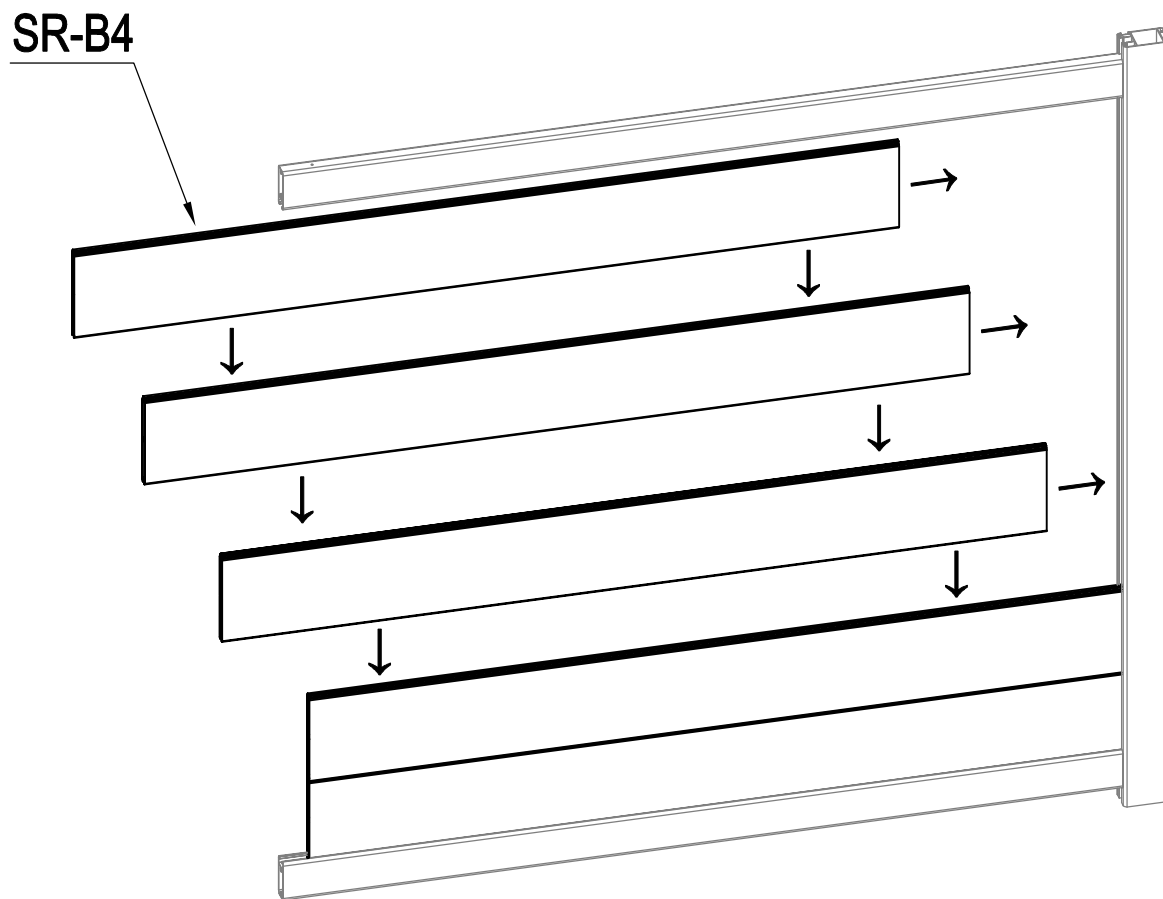




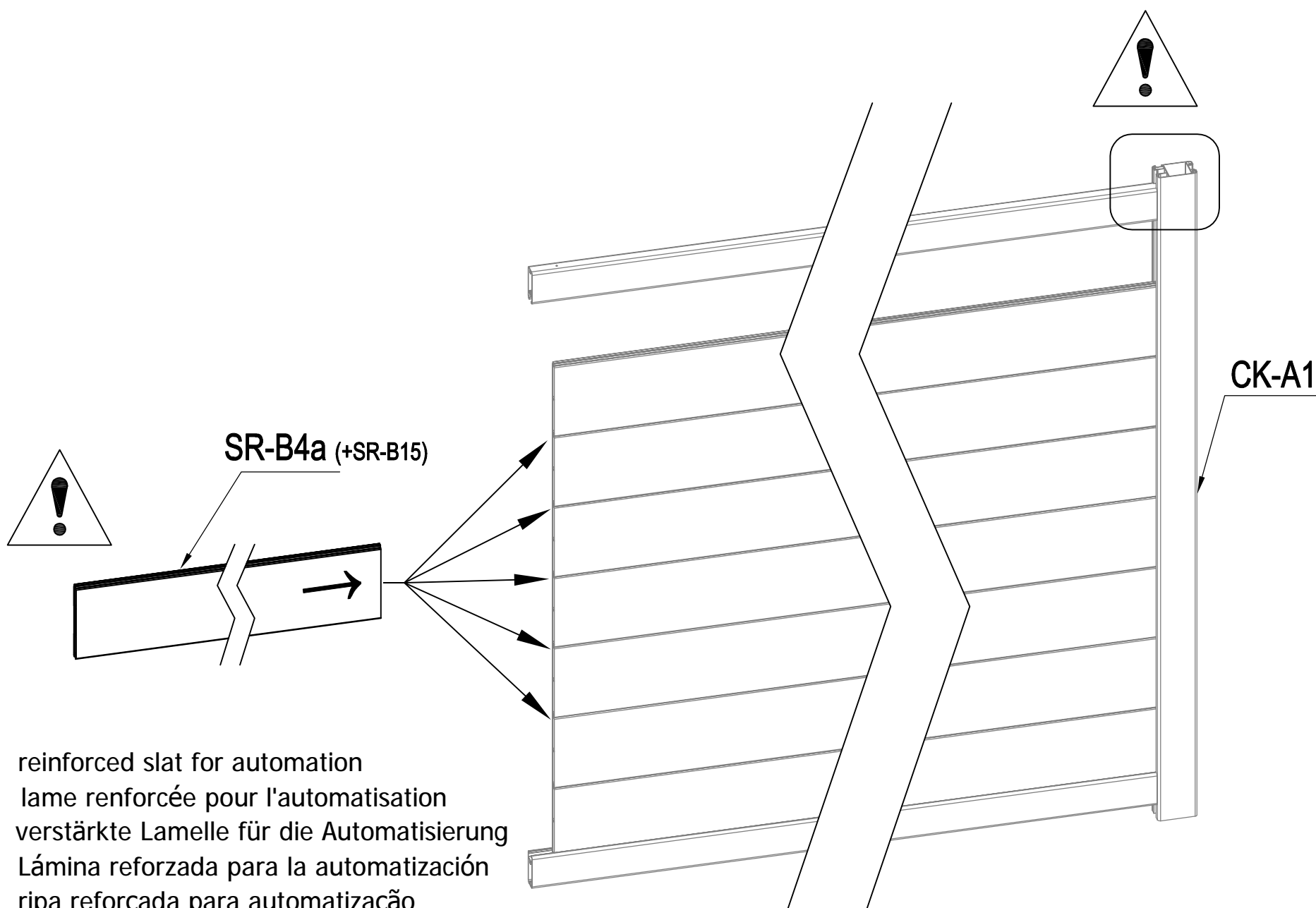




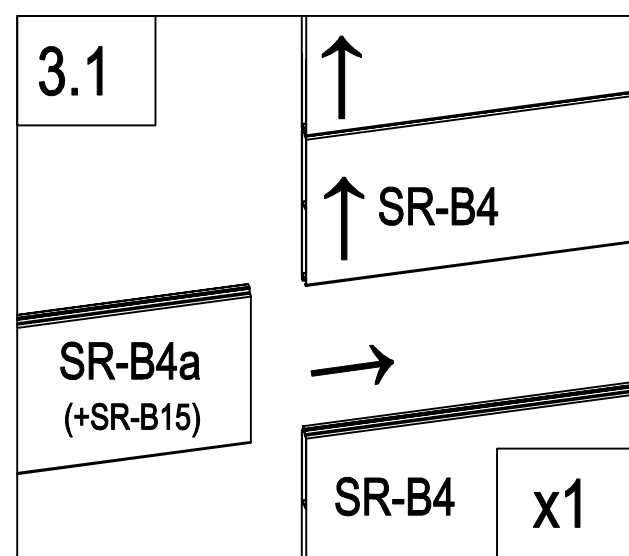
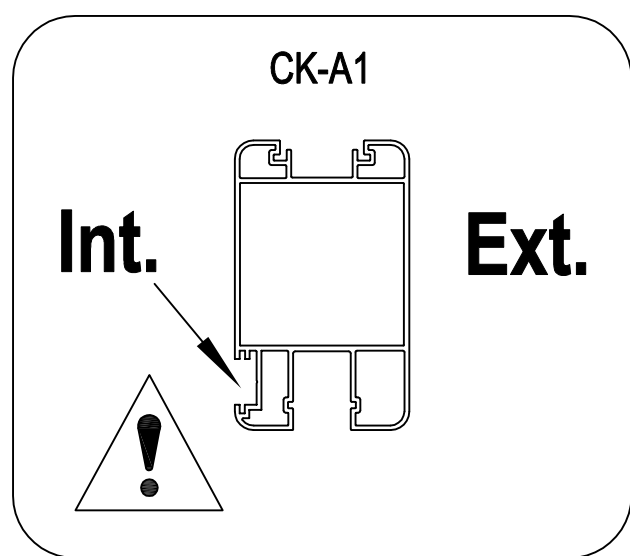
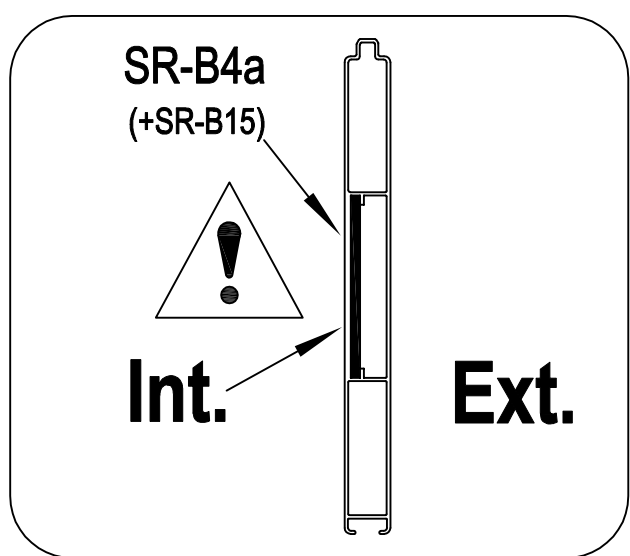
	CK-A1	1
	SR-B3	2
	Dr-28	2
	CK-D33	4




	SR-B4	7
---	-------	---

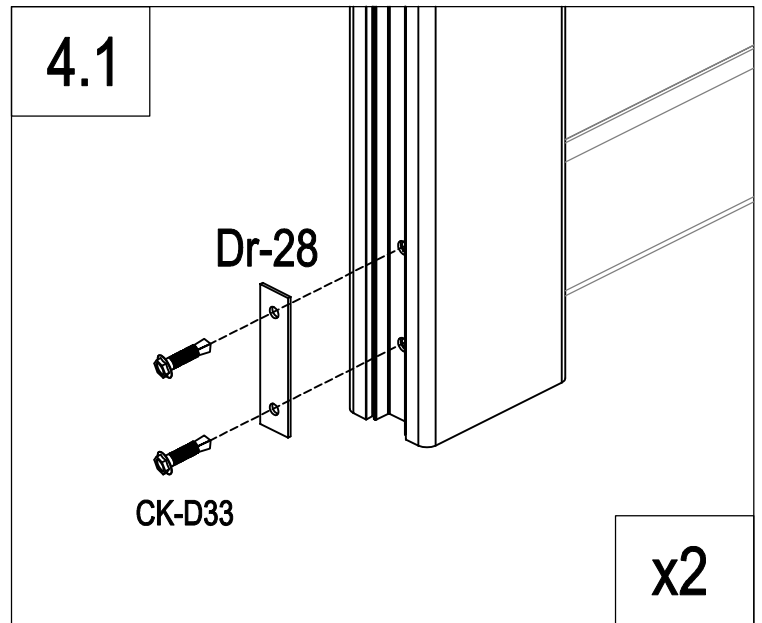
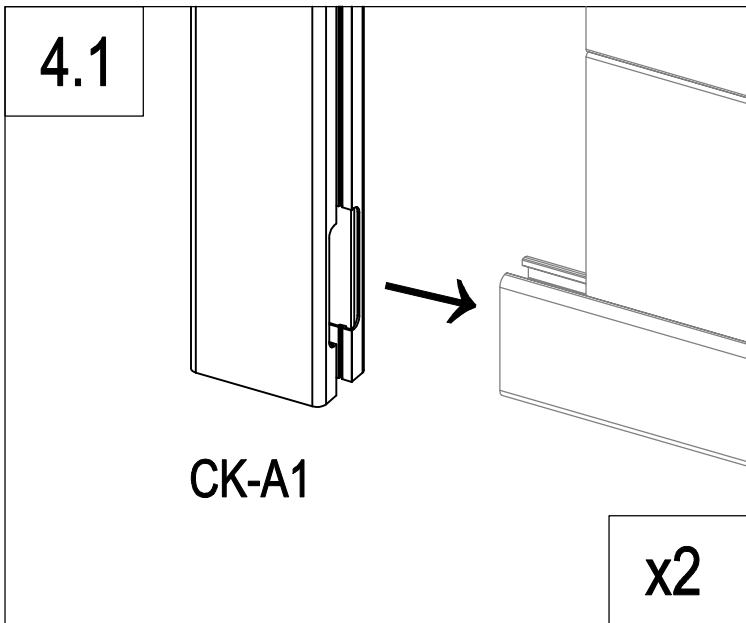
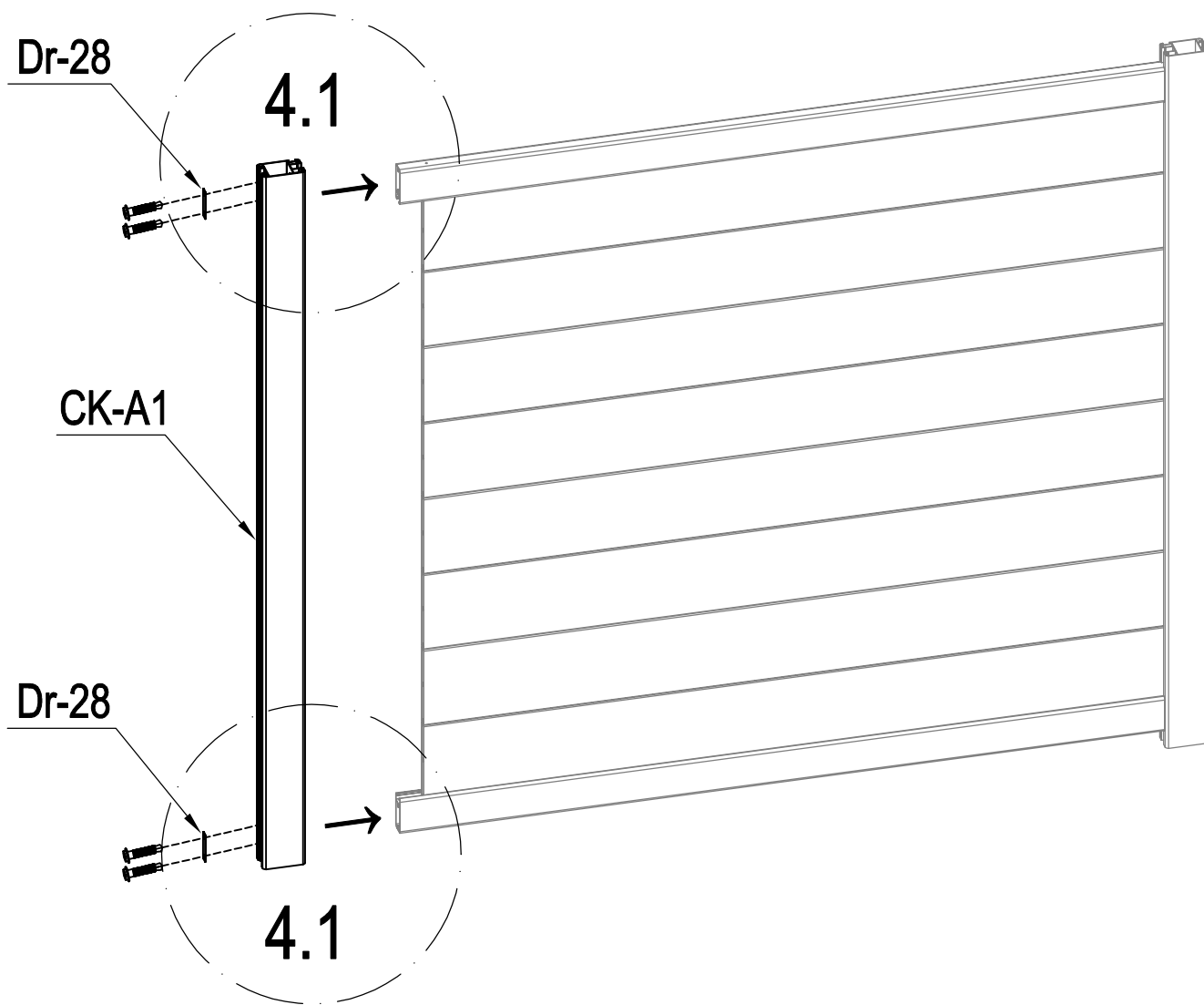


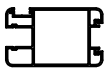


- EN: reinforced slat for automation
- FR: lame renforcée pour l'automatisation
- DE: verstärkte Lamelle für die Automatisierung
- ES: Lámina reforzada para la automatización
- PT: ripa reforçada para automatização
- IT: lamella rinforzata per l'automazione
- NL: versterkte lat voor automatisering
- PL: wzmocniona listwa do automatyzacji

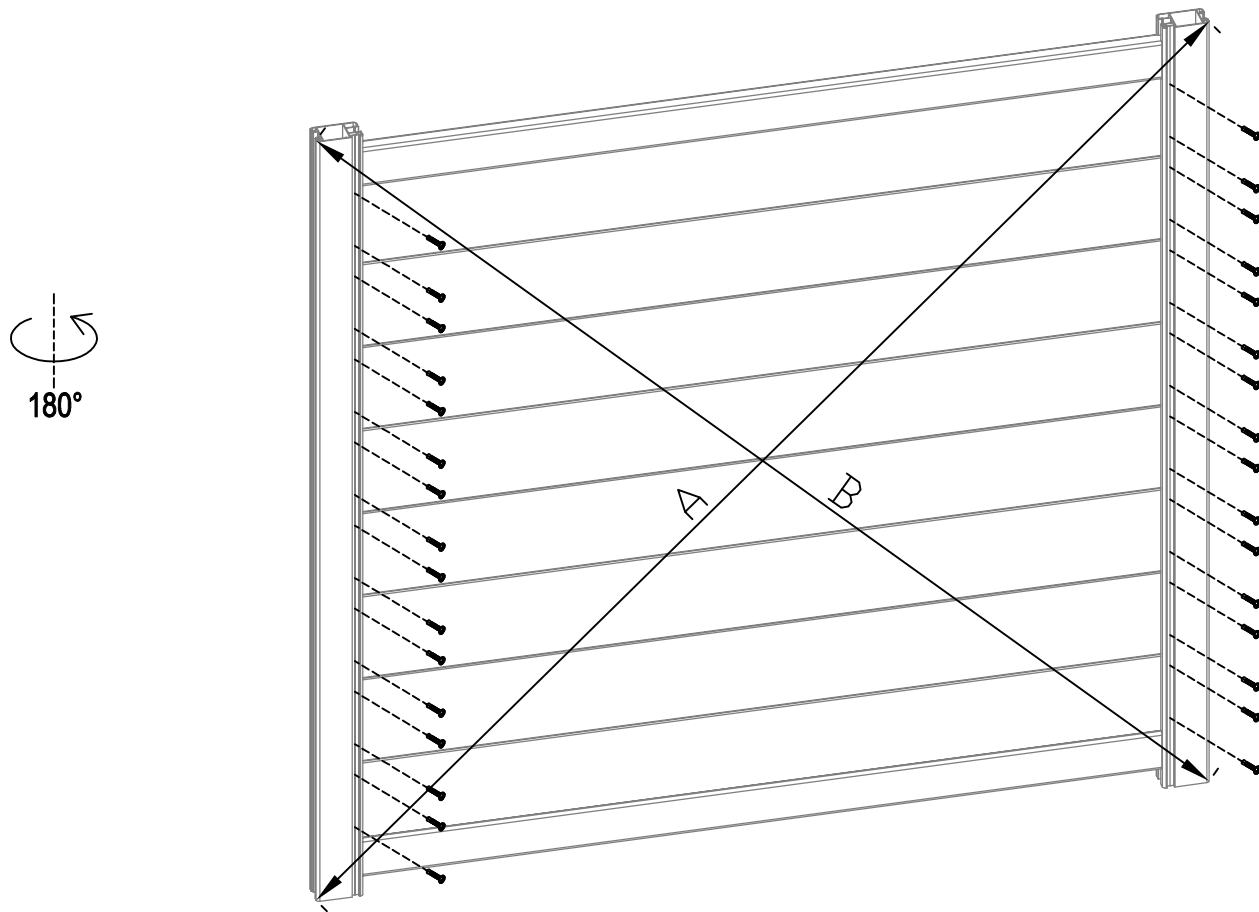


	SR-B4a (+SR-B15)	1
---	------------------	---

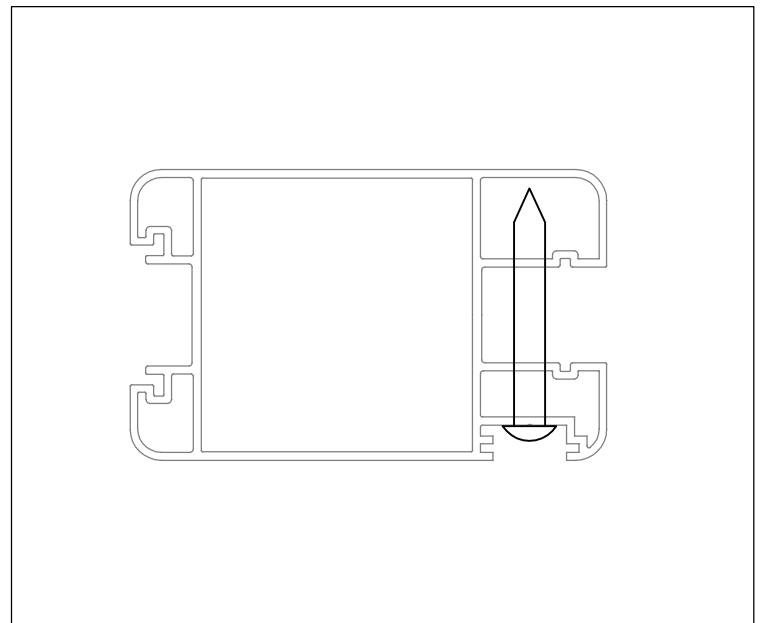
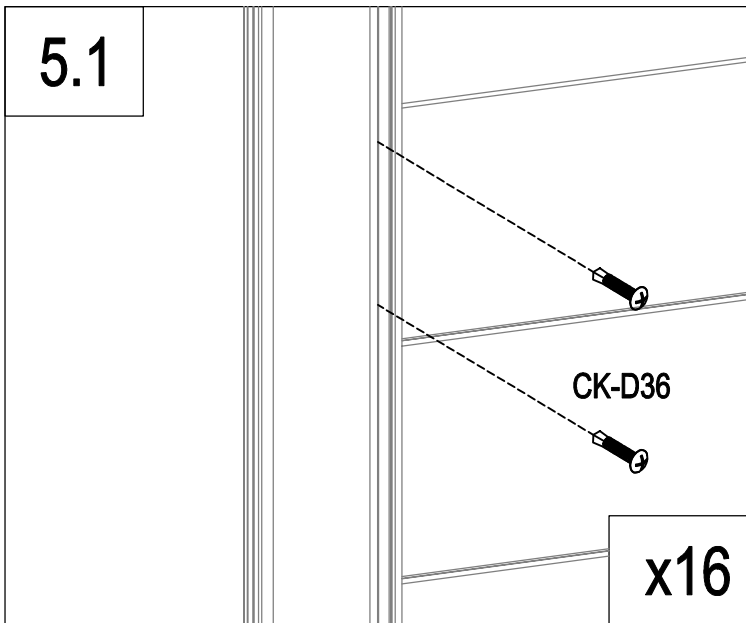




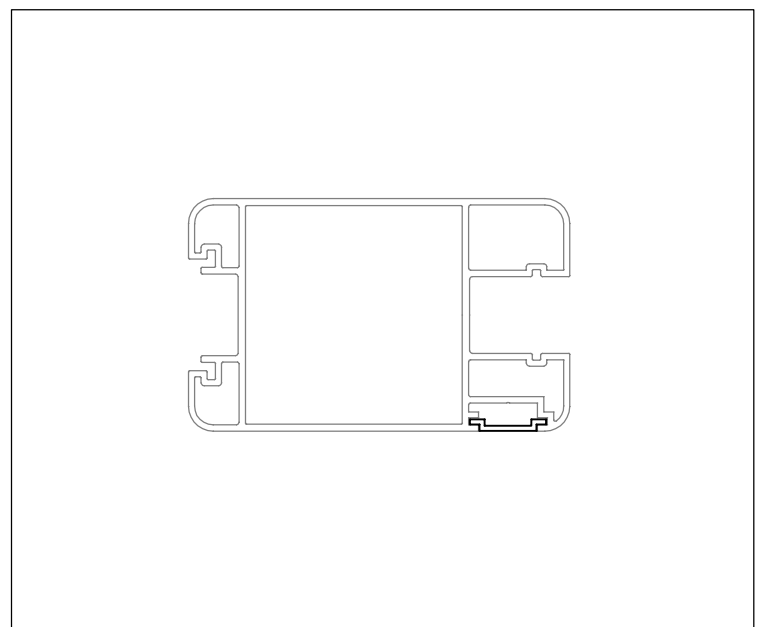
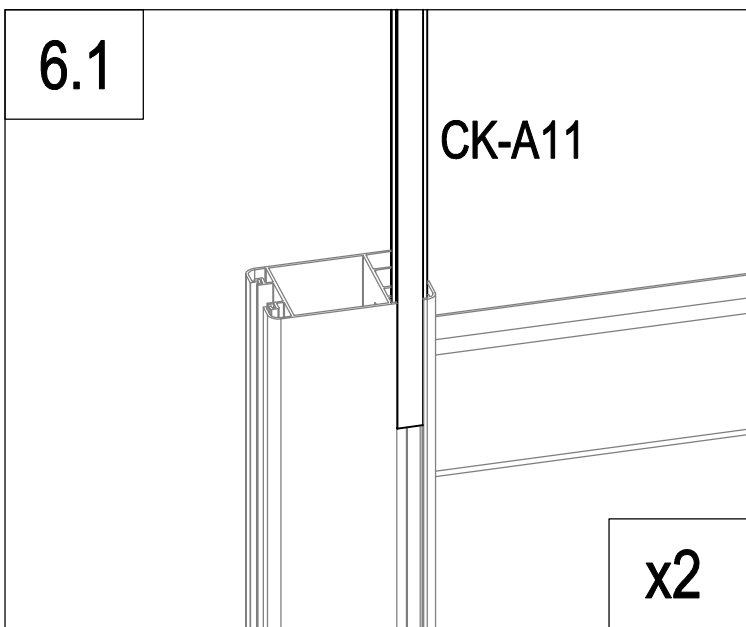
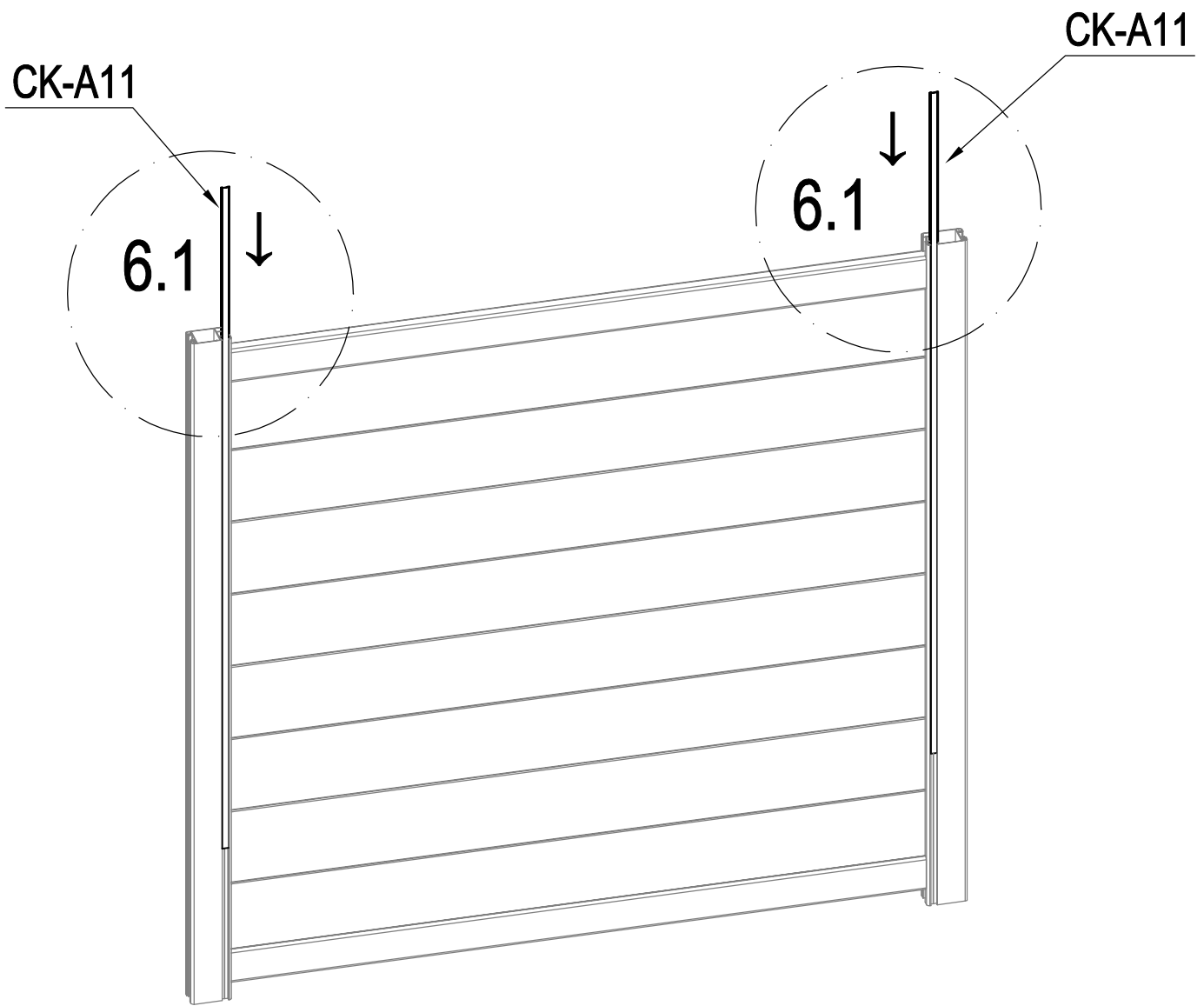
	CK-A1	1
	Dr-28	2
	CK-D33	4



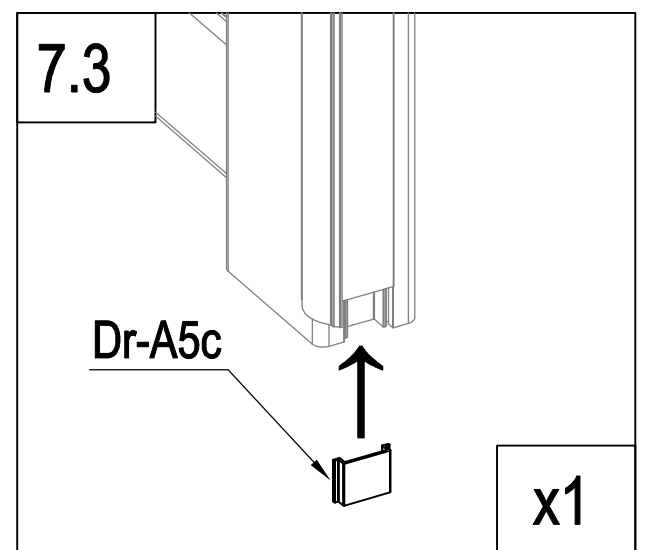
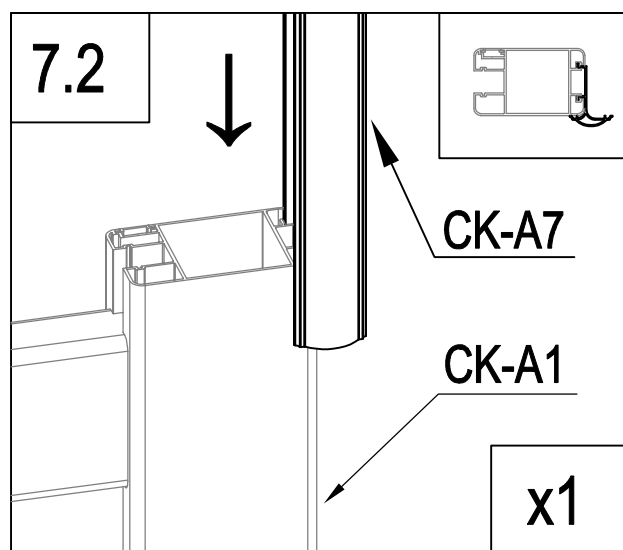
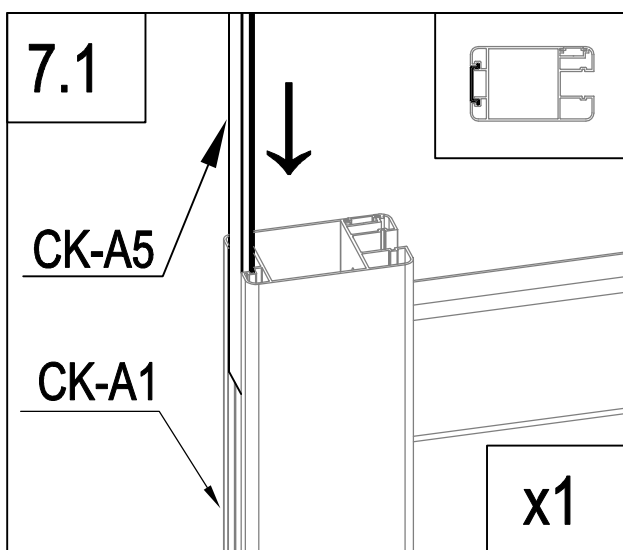
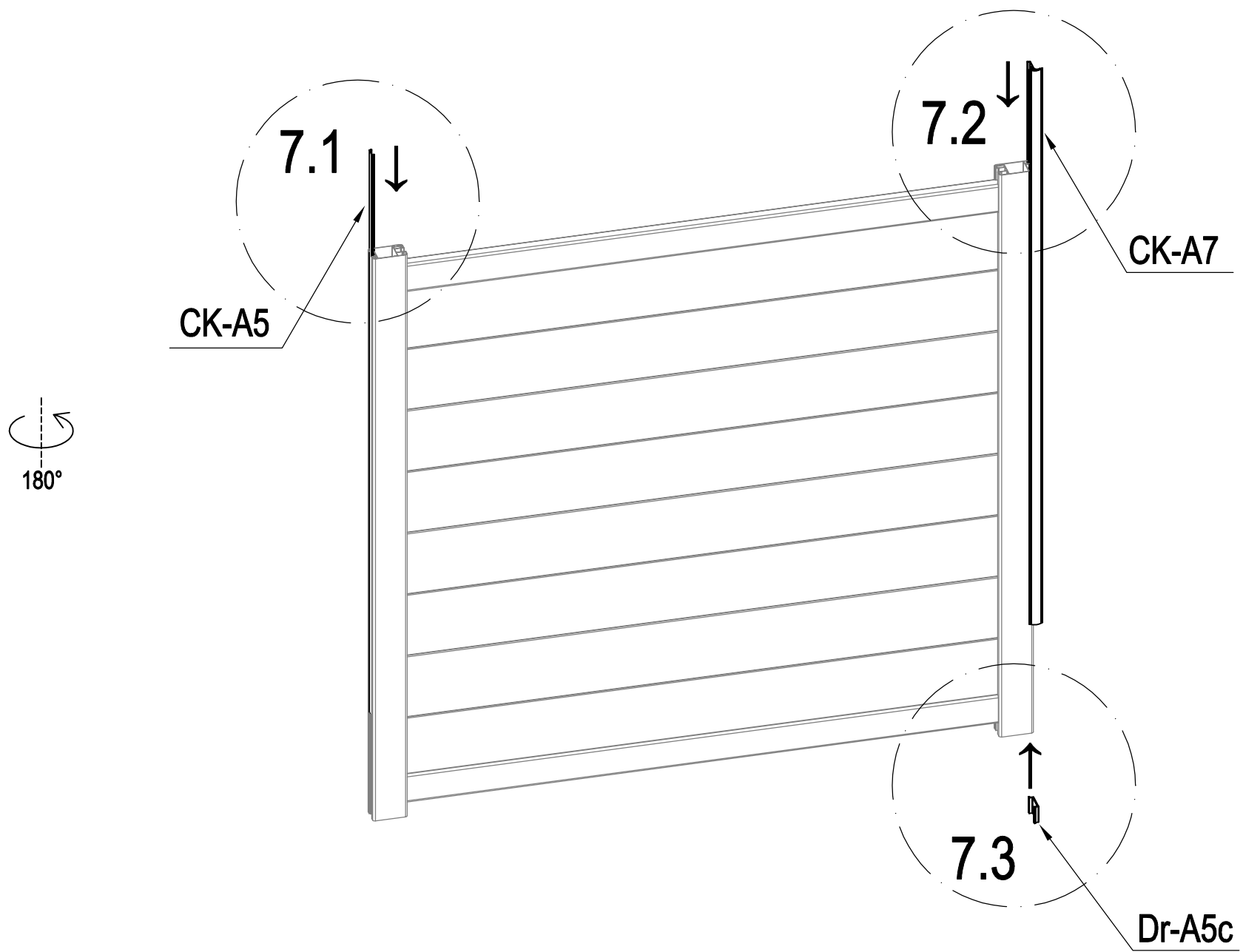
A=B

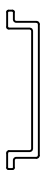
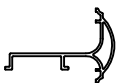


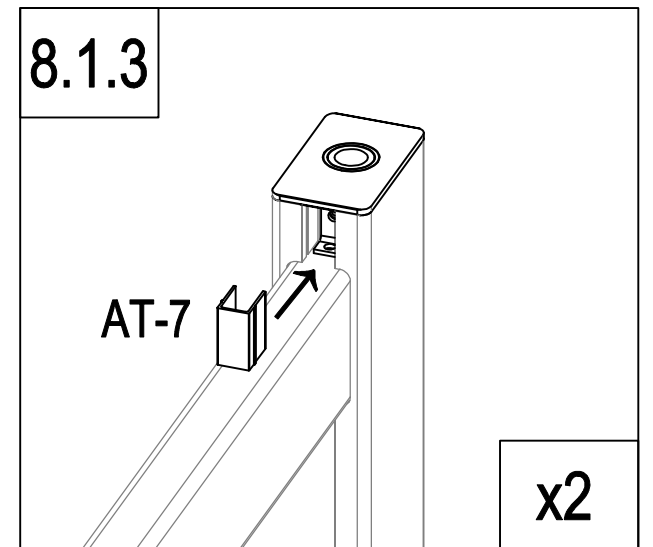
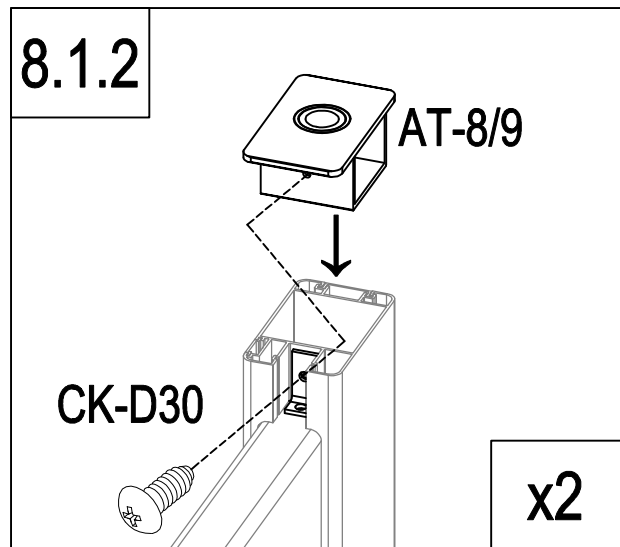
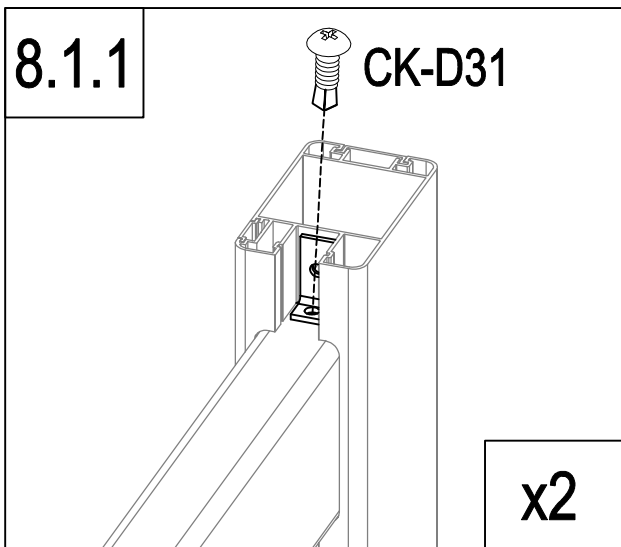
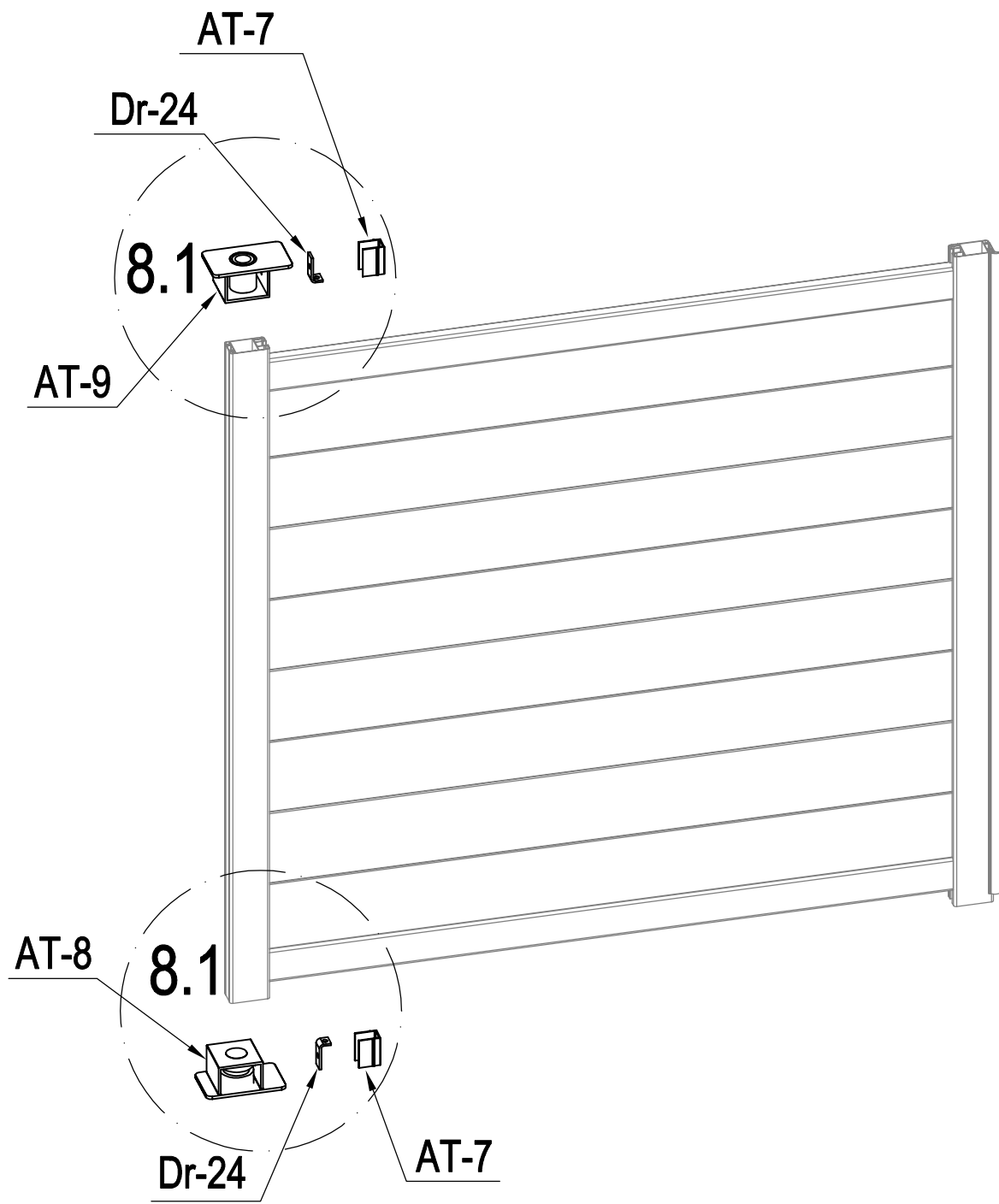
	<p>CK-D36</p>	<p>32</p>
---	---------------	-----------

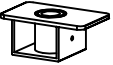






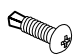
	CK-A11	2
---	--------	---

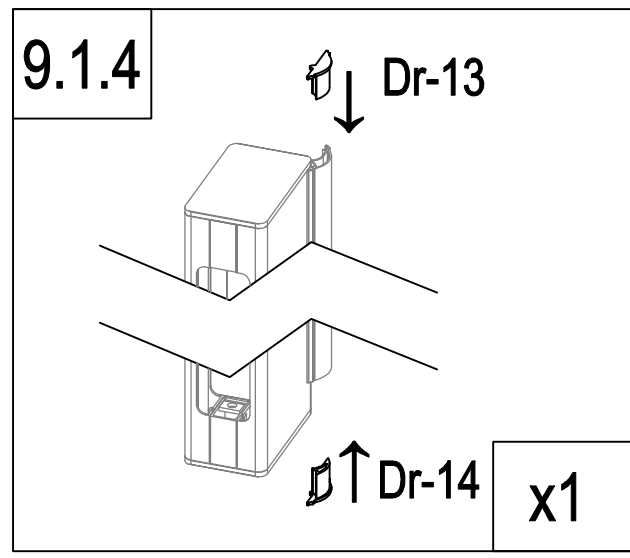
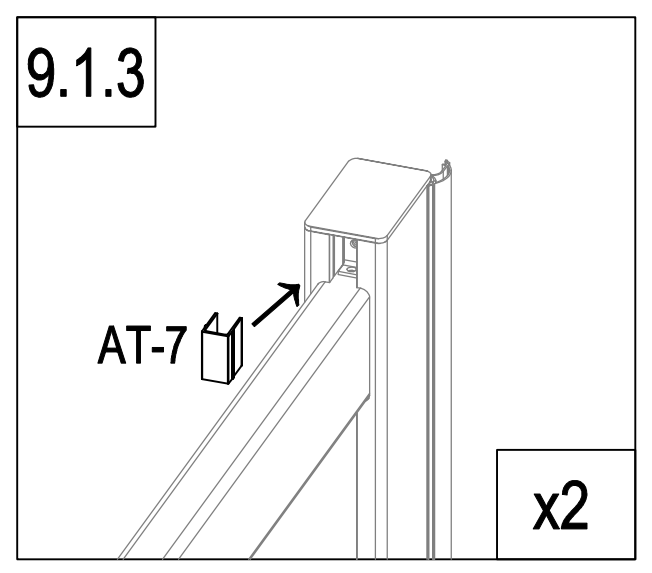
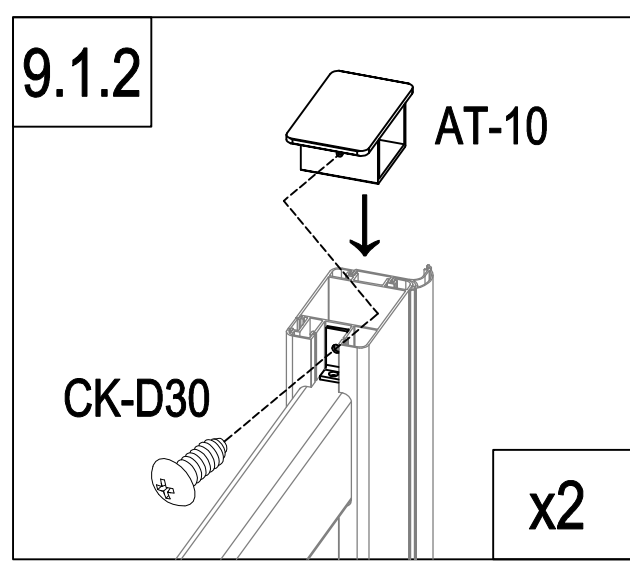
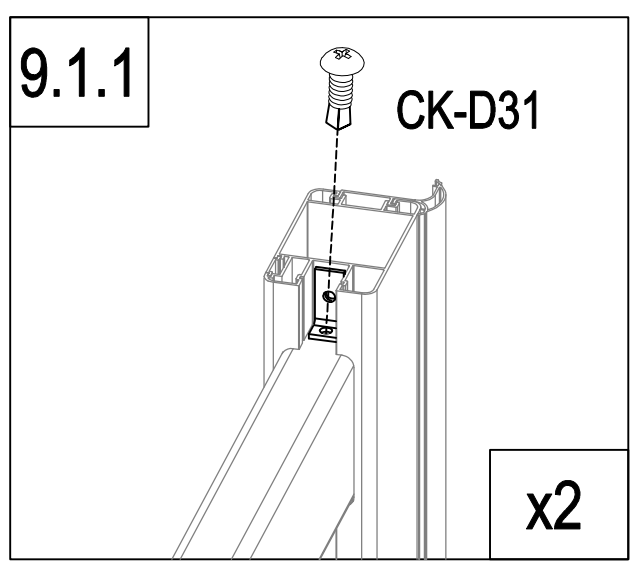
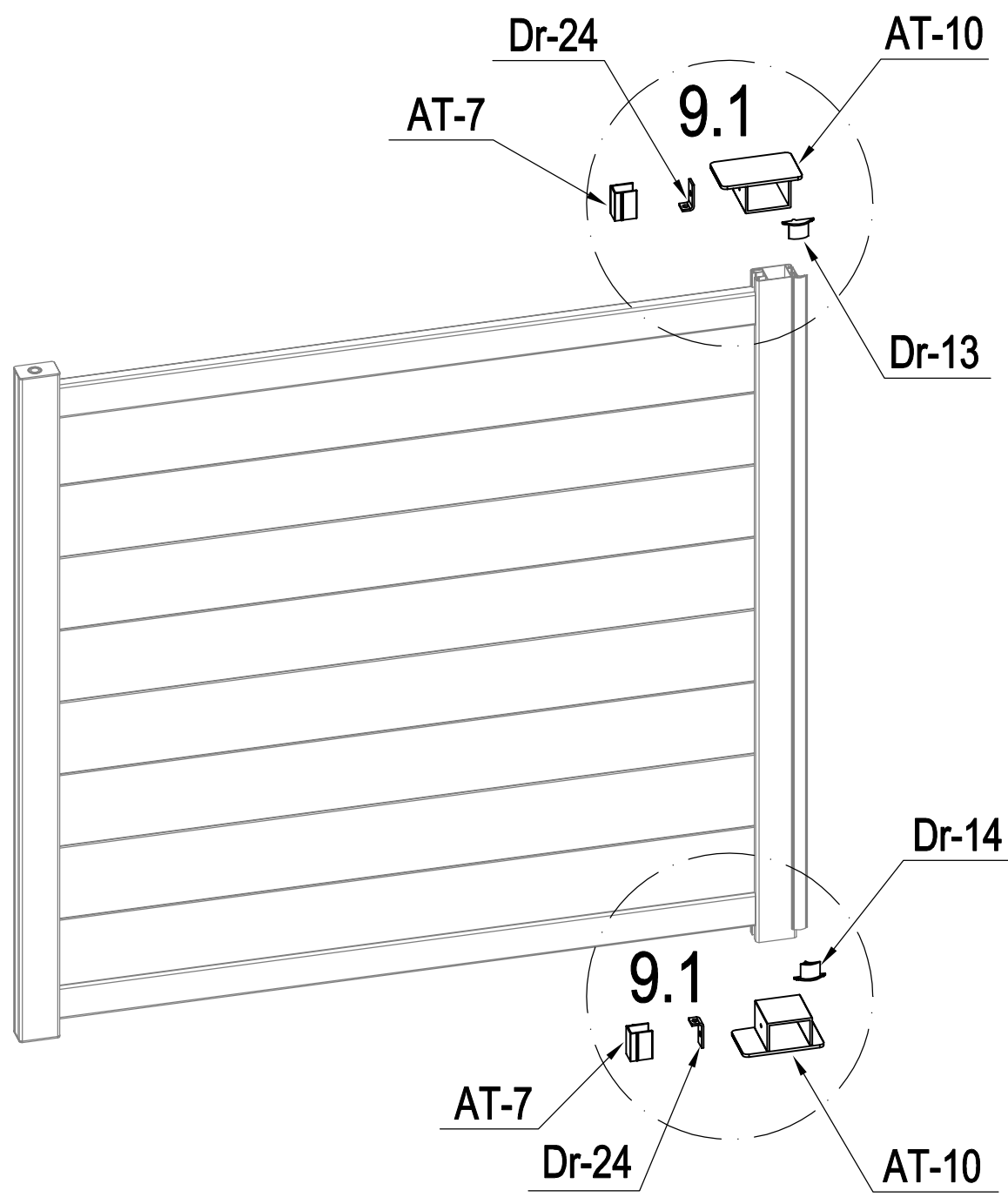


	CK-A5	1
	Dr-A5c	1
	CK-A7	1



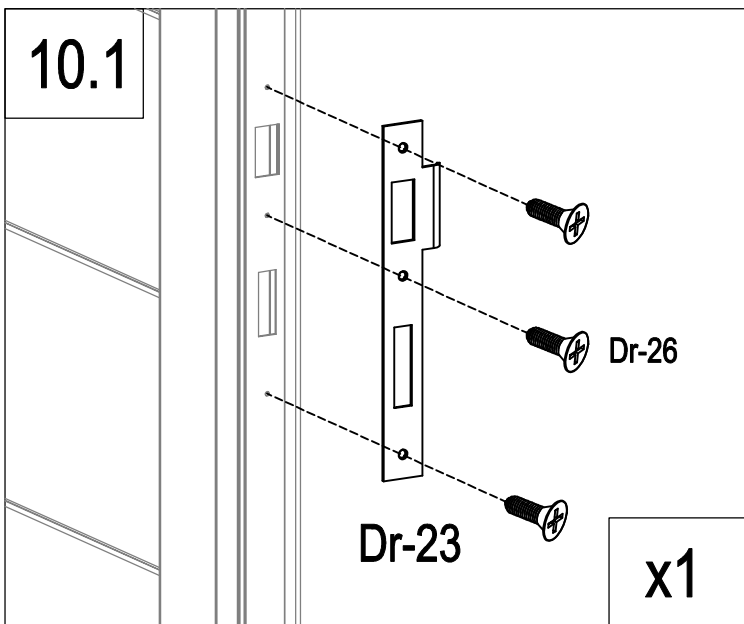
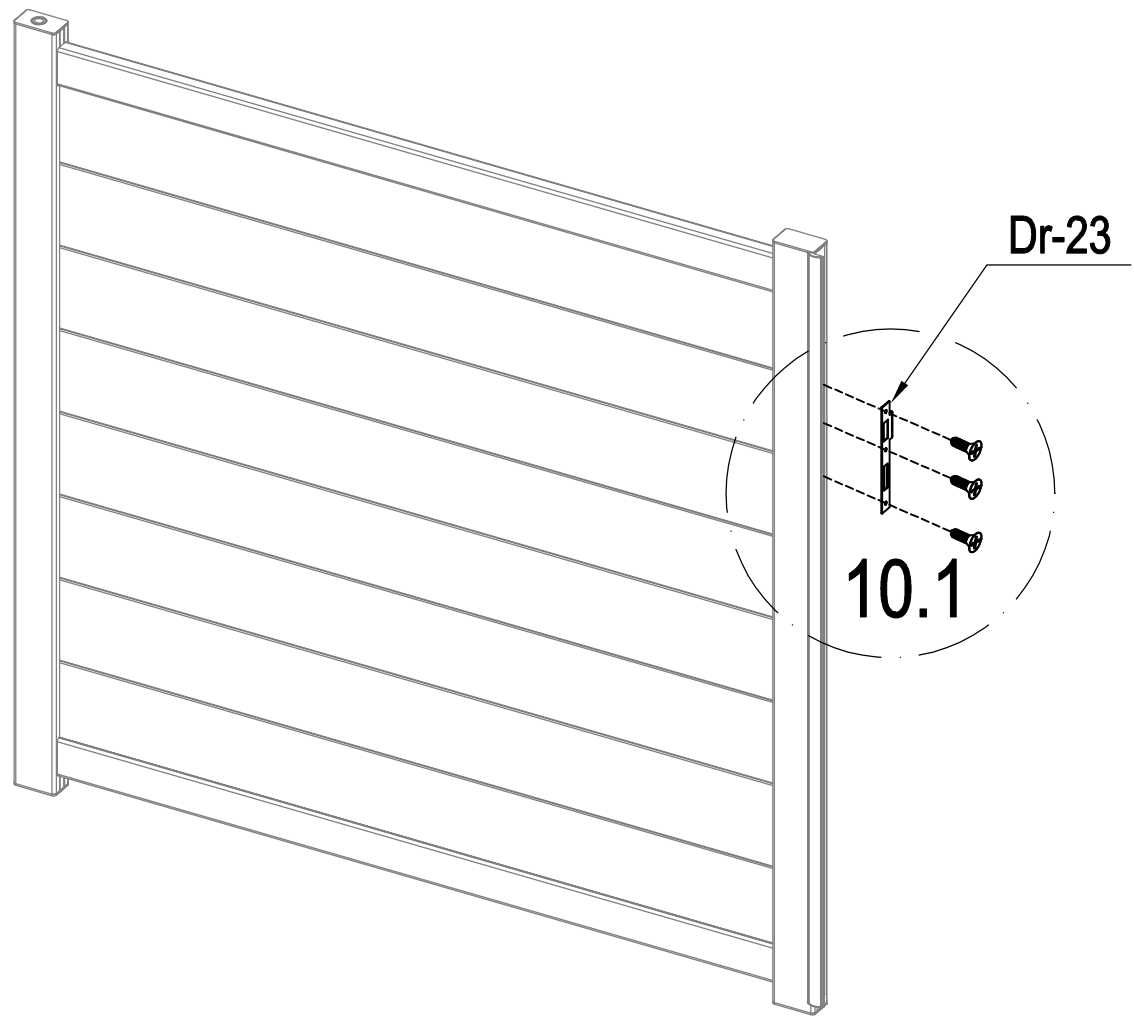
	AT-8	1
	AT-9	1
	Dr-24	2

	AT-7	2
	CK-D30	2
	CK-D31	2

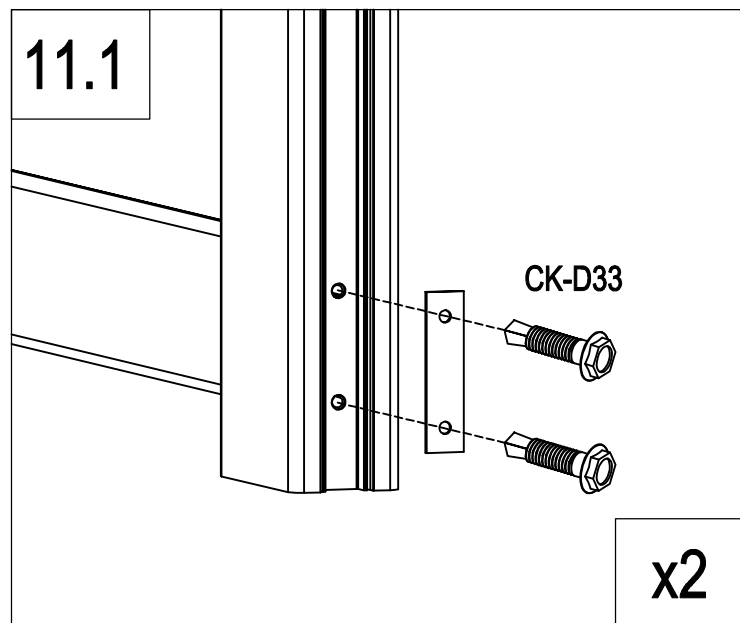
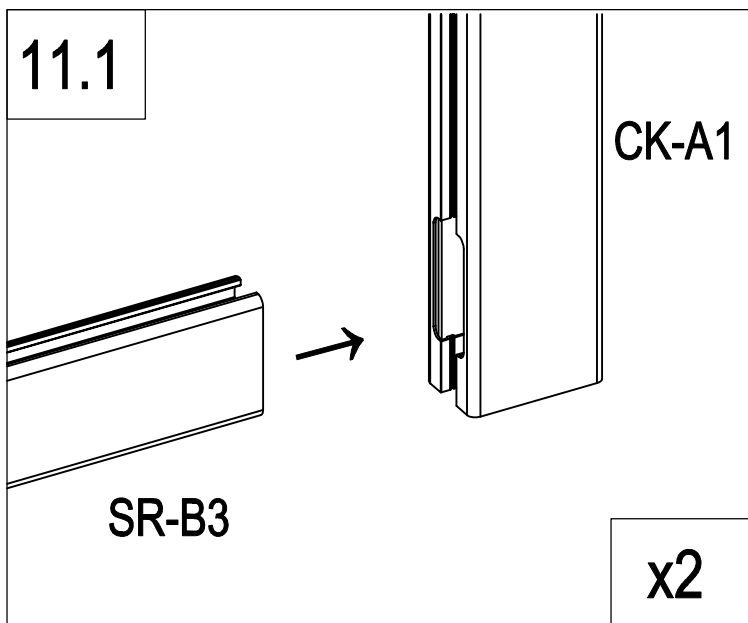
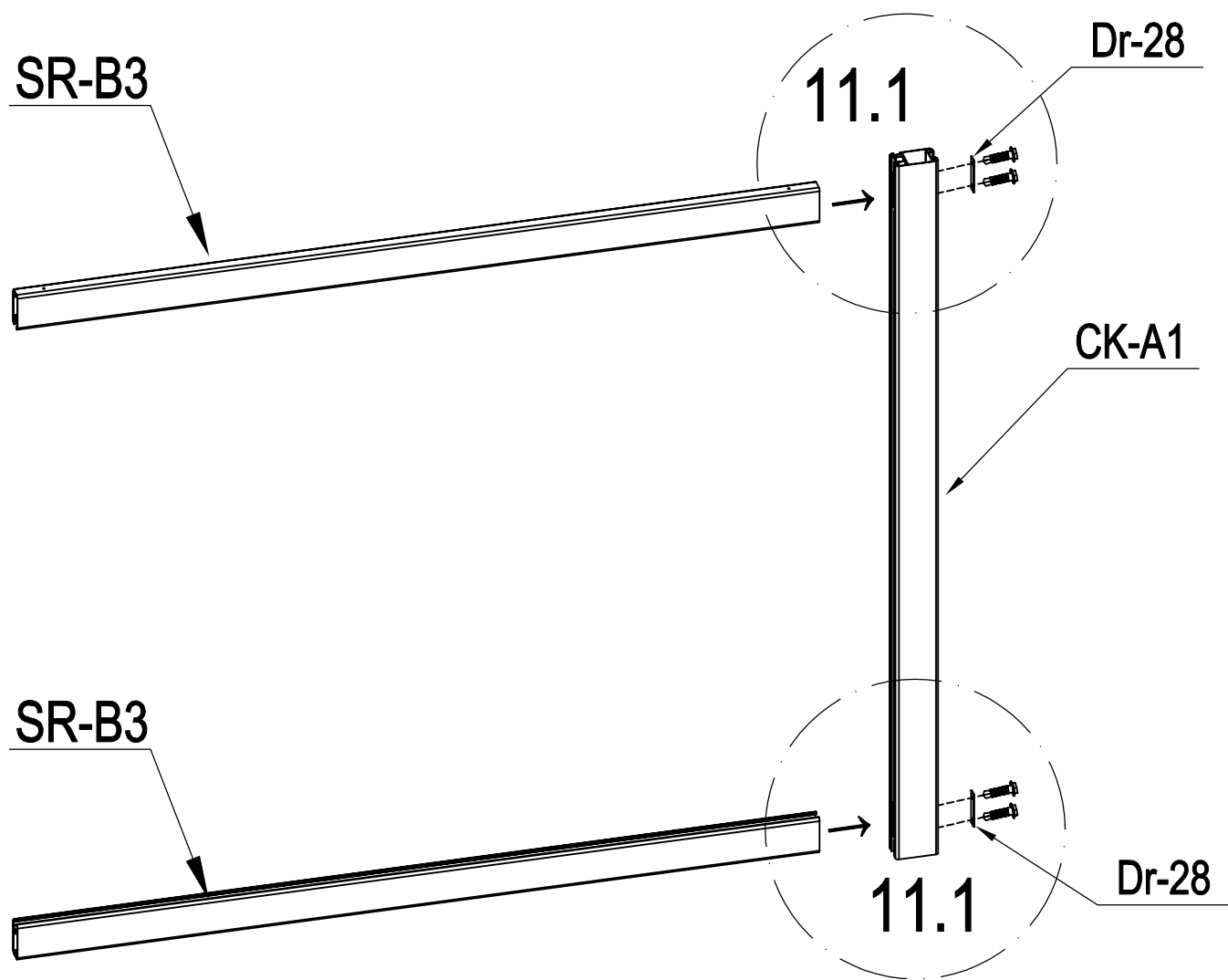


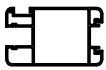
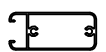


	AT-10	2
	Dr-24	2
	AT-7	2
	Dr-13	1

	Dr-14	1
	CK-D30	2
	CK-D31	2

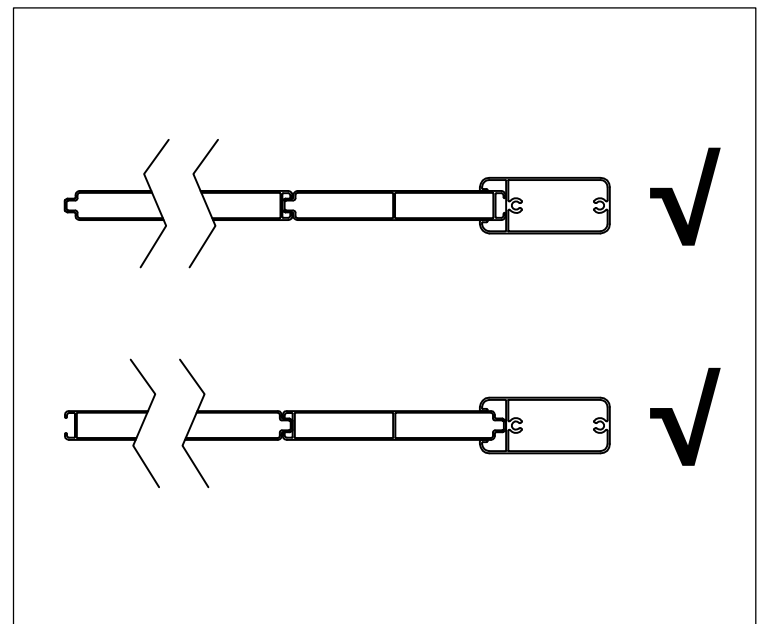
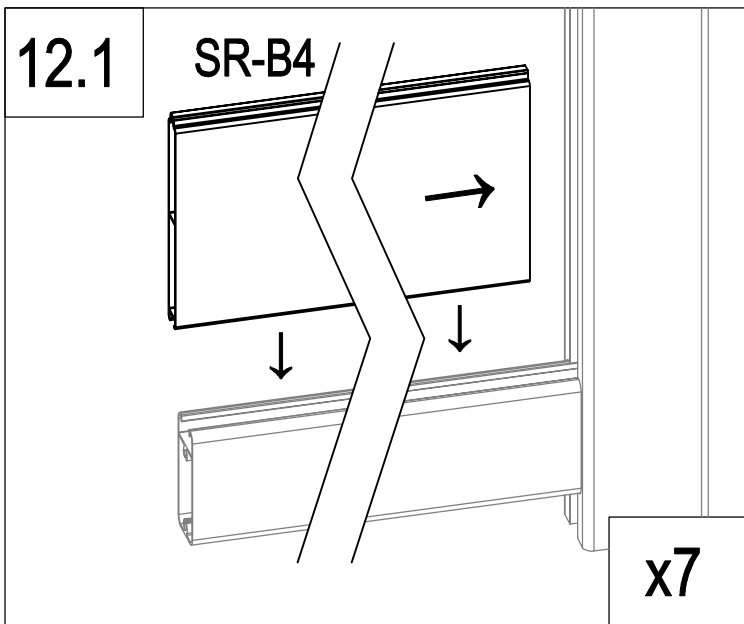
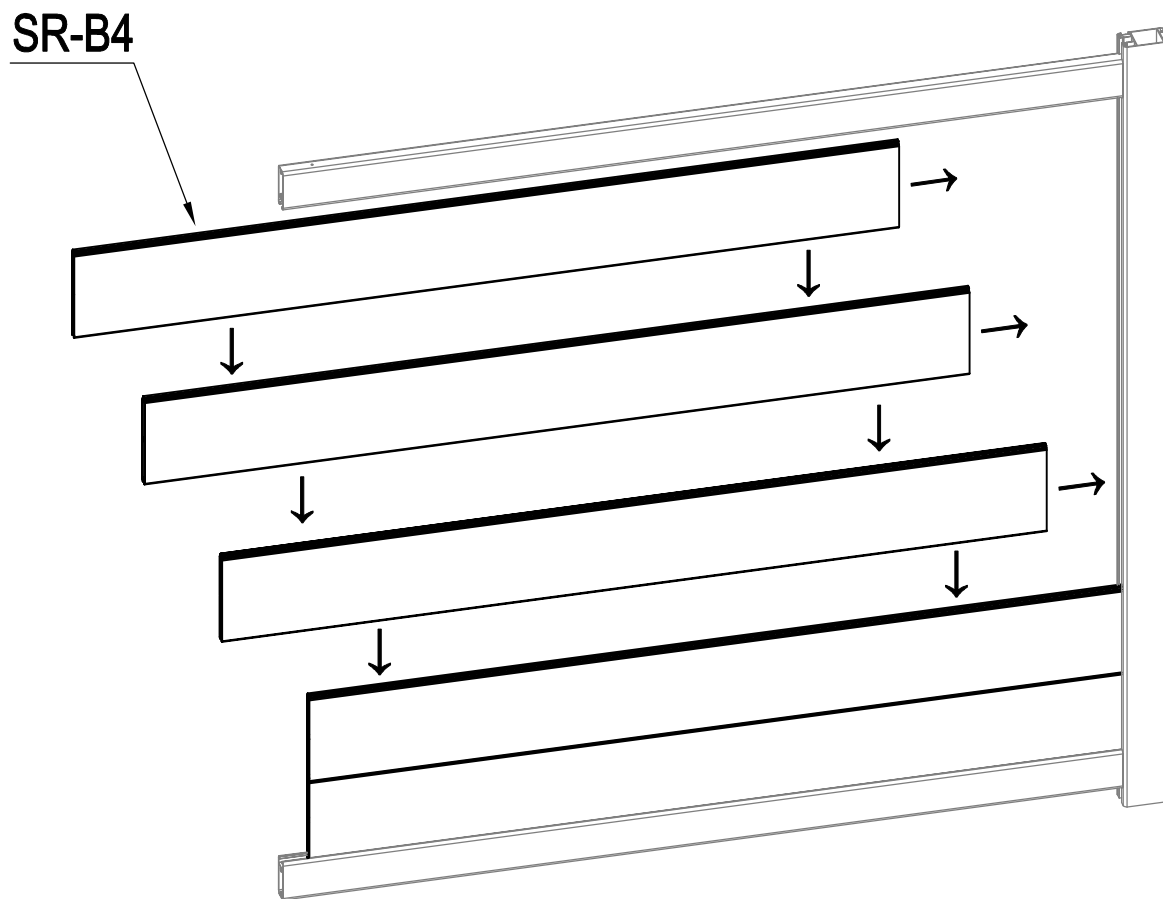


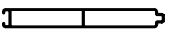
	Dr-23	1
	Dr-26	3

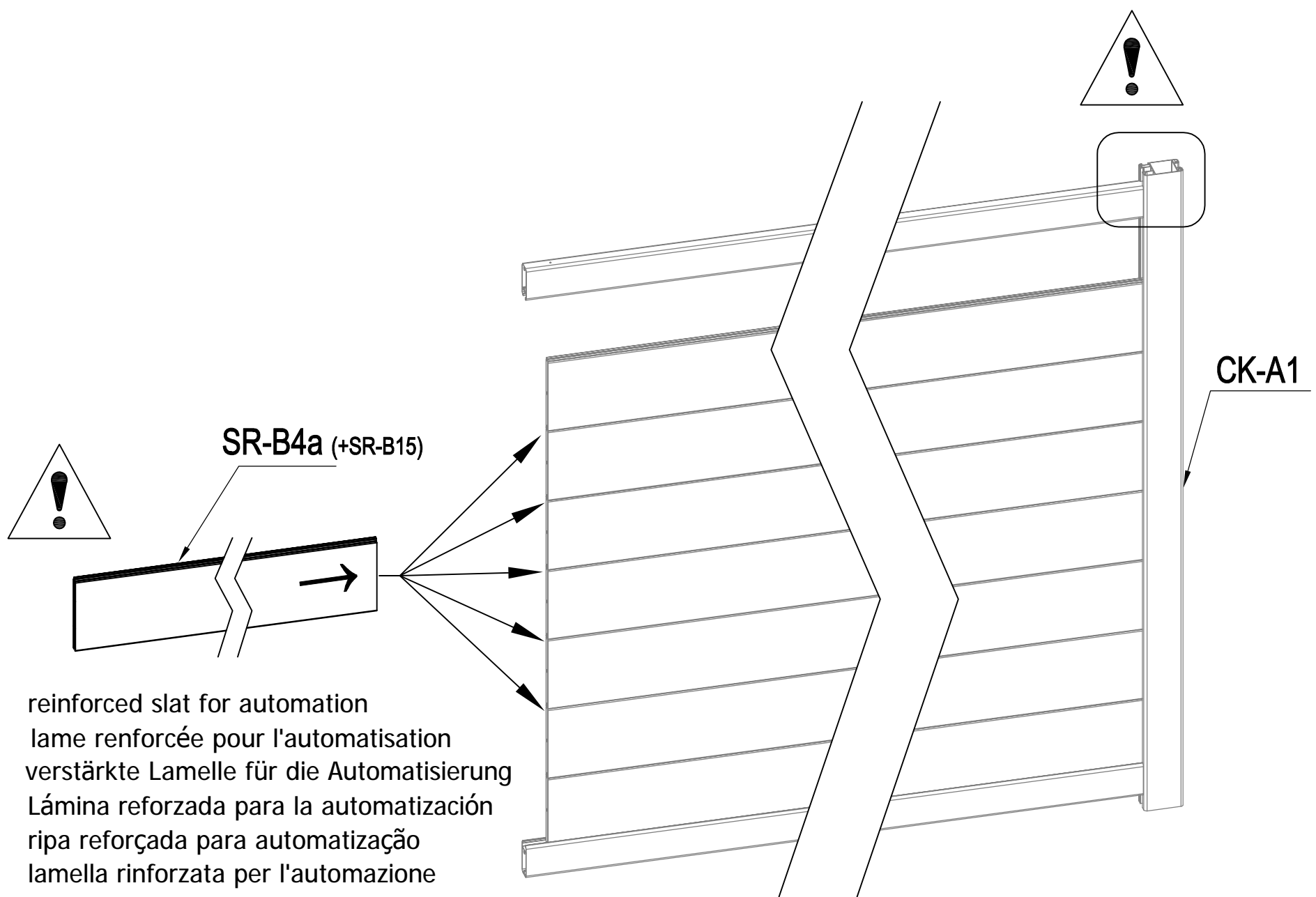


	CK-A1	1
	SR-B3	2
	Dr-28	2
	CK-D33	4

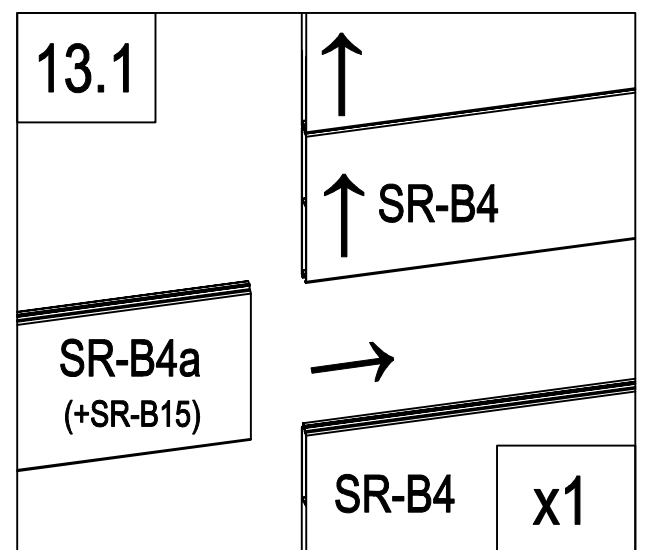
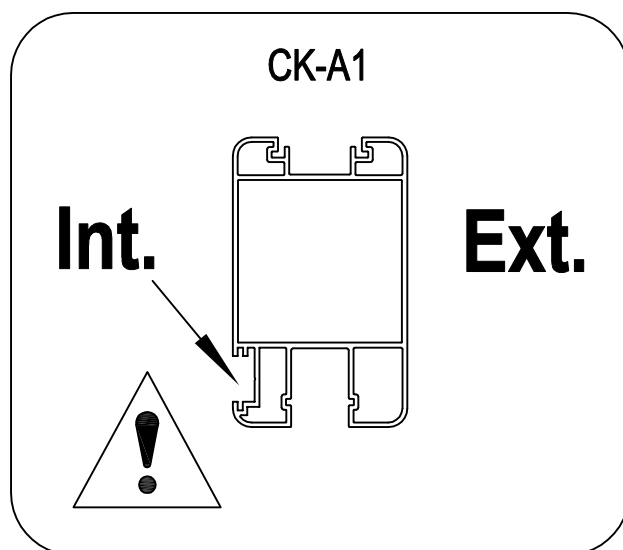
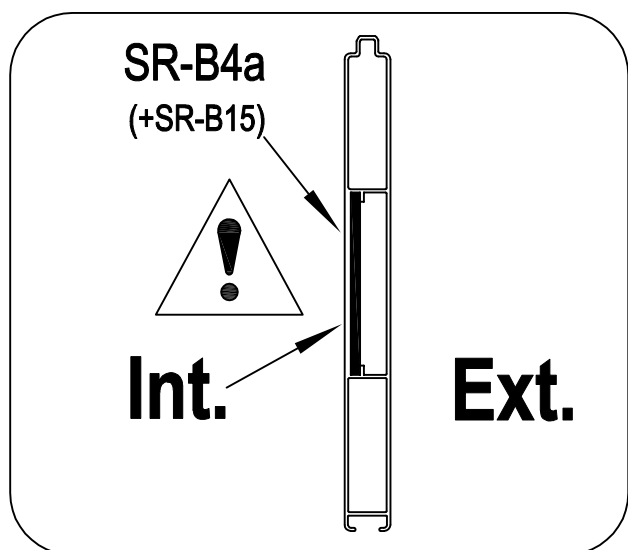





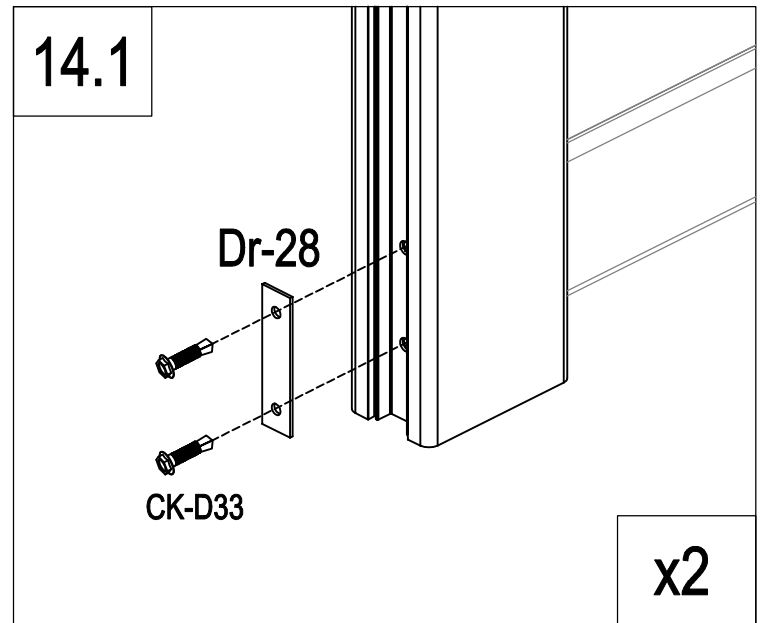
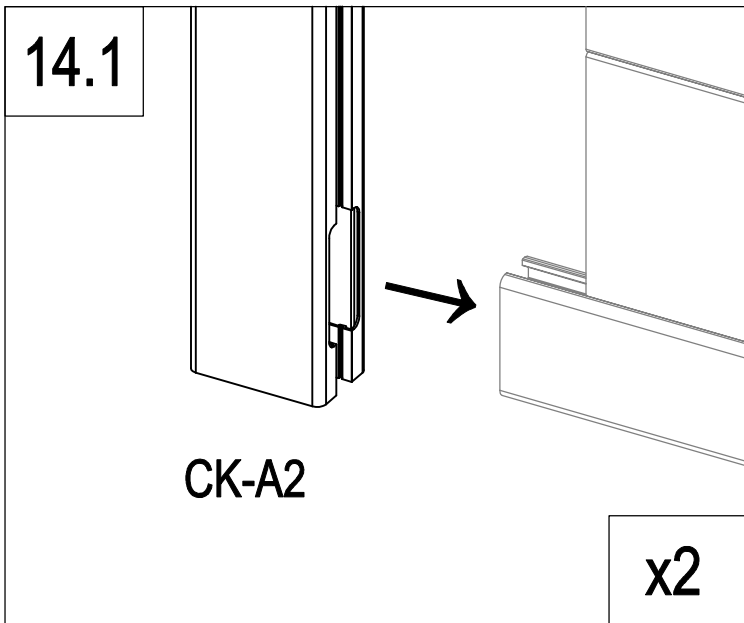
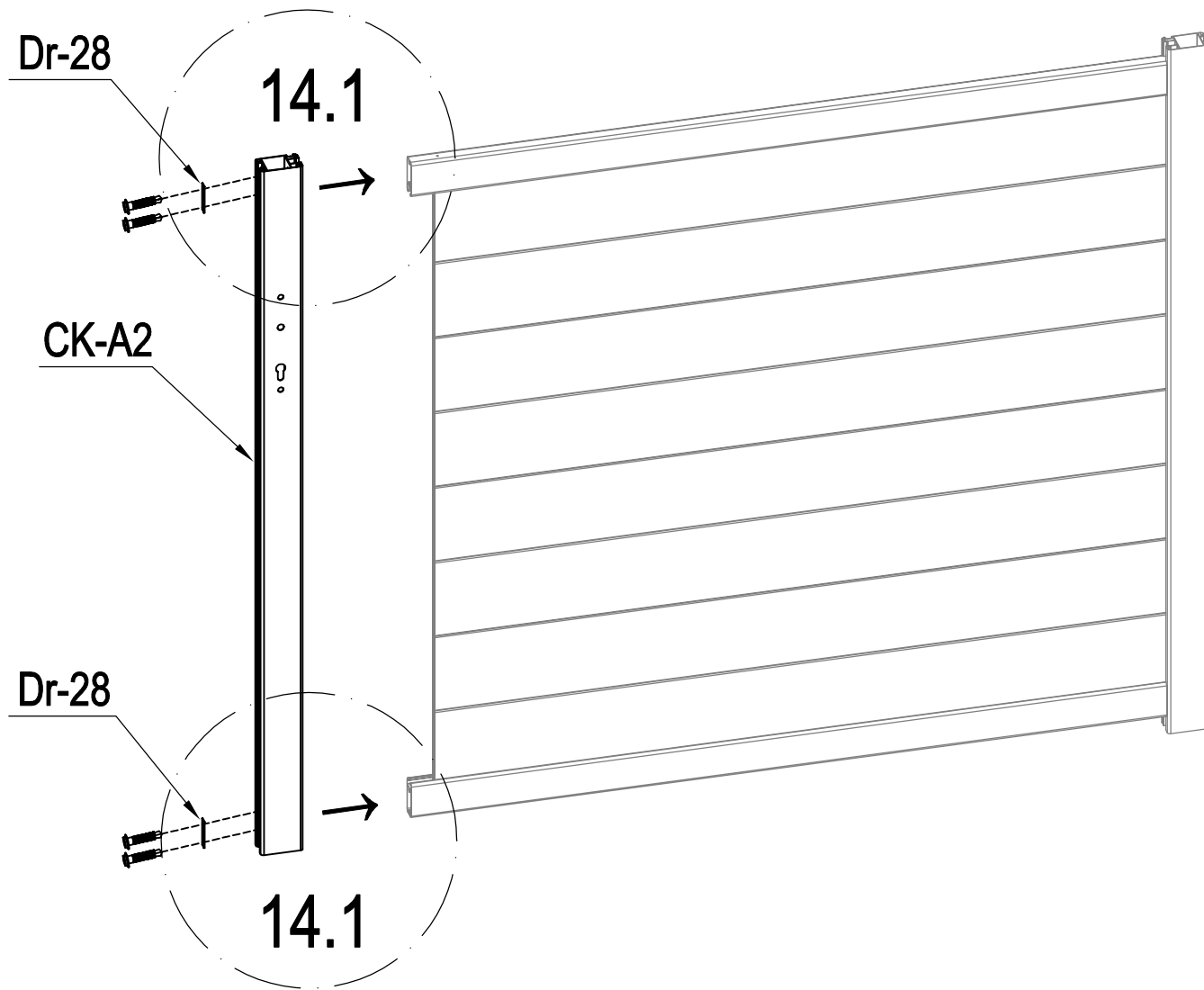
	SR-B4	7
---	-------	---

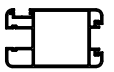

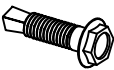


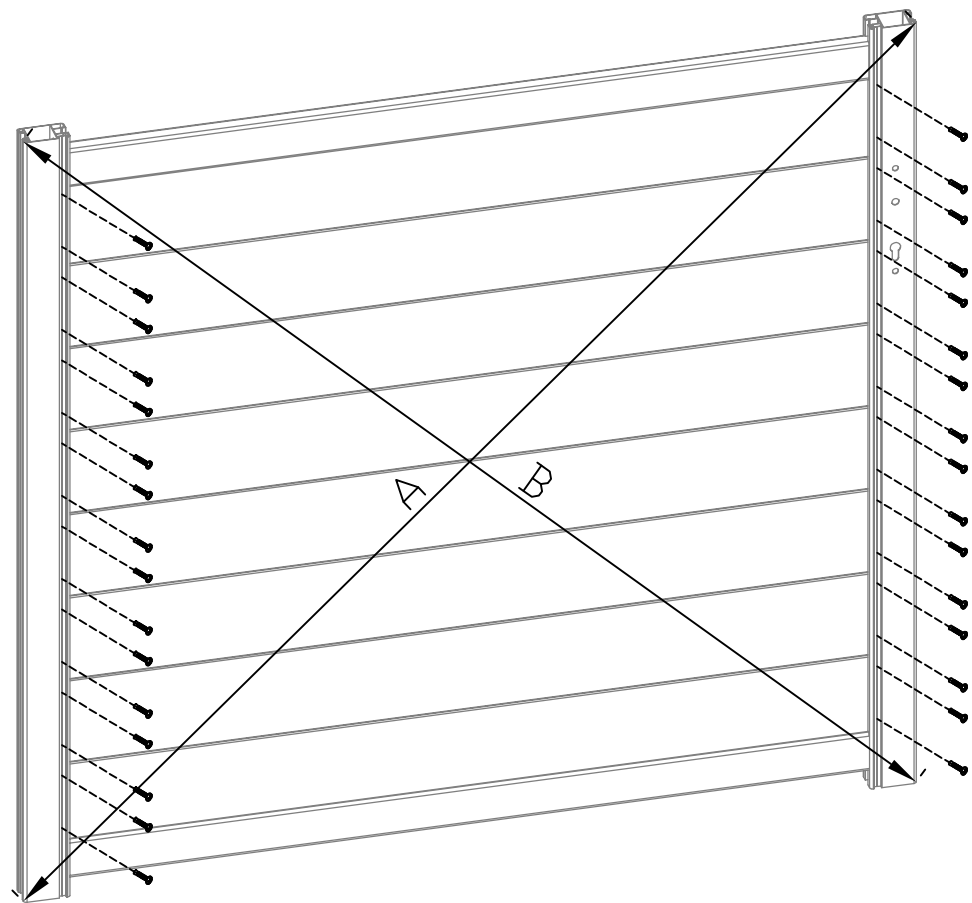
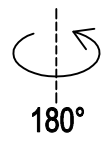
- EN: reinforced slat for automation
- FR: lame renforcée pour l'automatisation
- DE: verstärkte Lamelle für die Automatisierung
- ES: Lámina reforzada para la automatización
- PT: ripa reforçada para automatização
- IT: lamella rinforzata per l'automazione
- NL: versterkte lat voor automatisering
- PL: wzmocniona listwa do automatyzacji



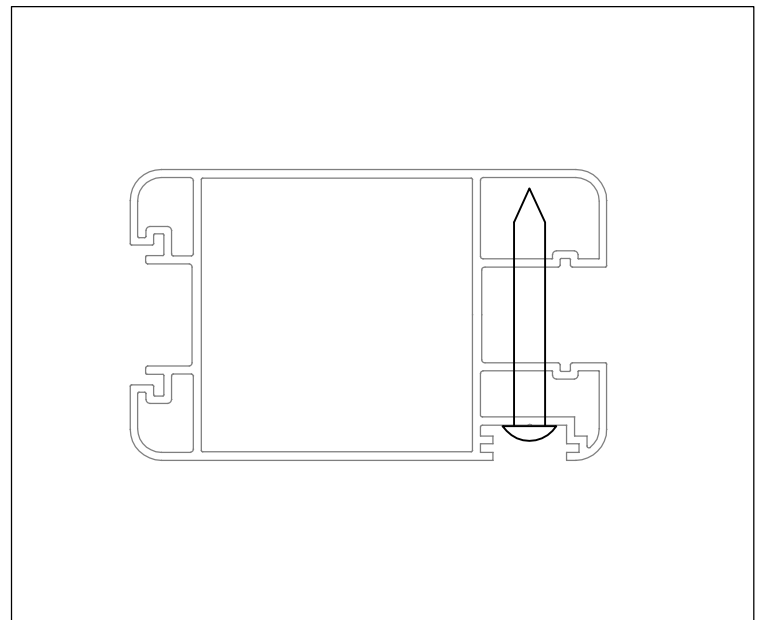
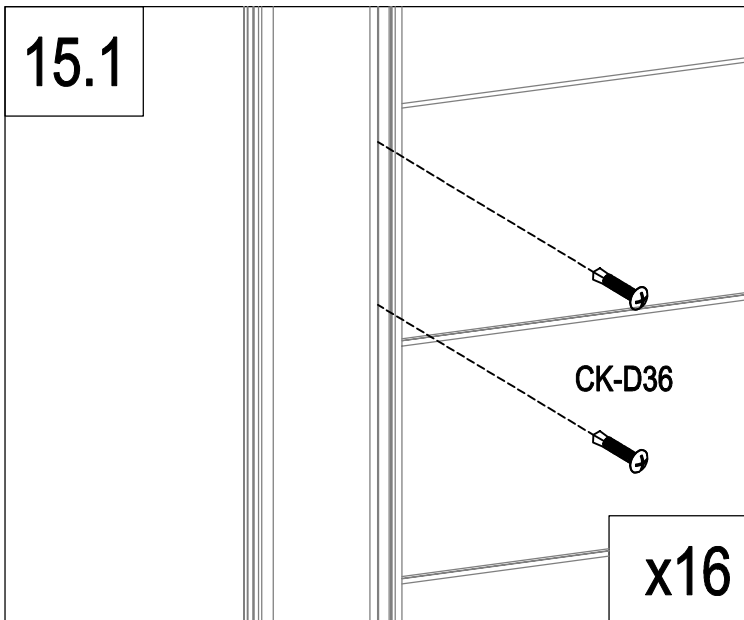
	SR-B4a (+SR-B15)	1
---	------------------	---



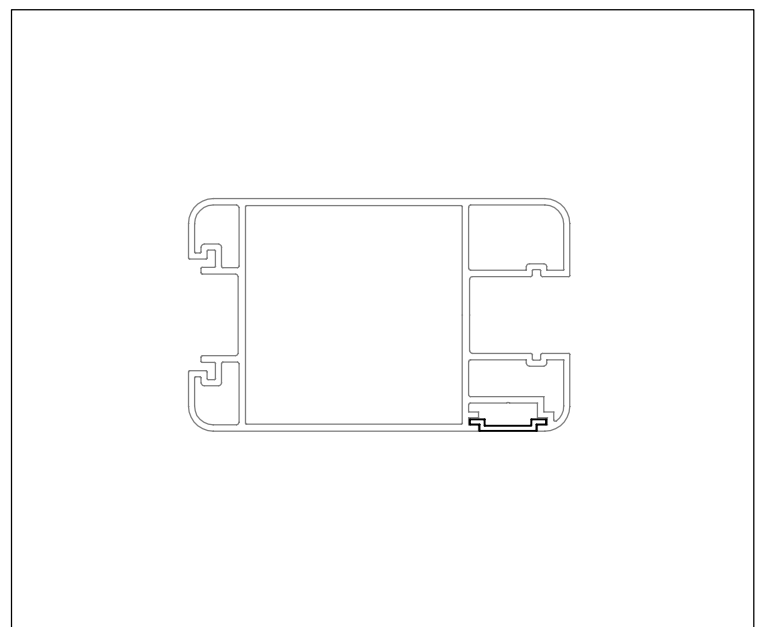
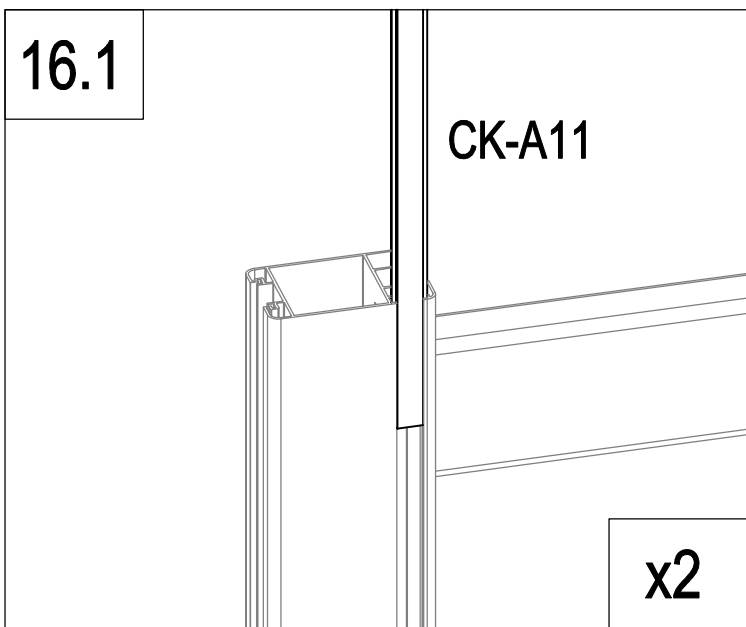
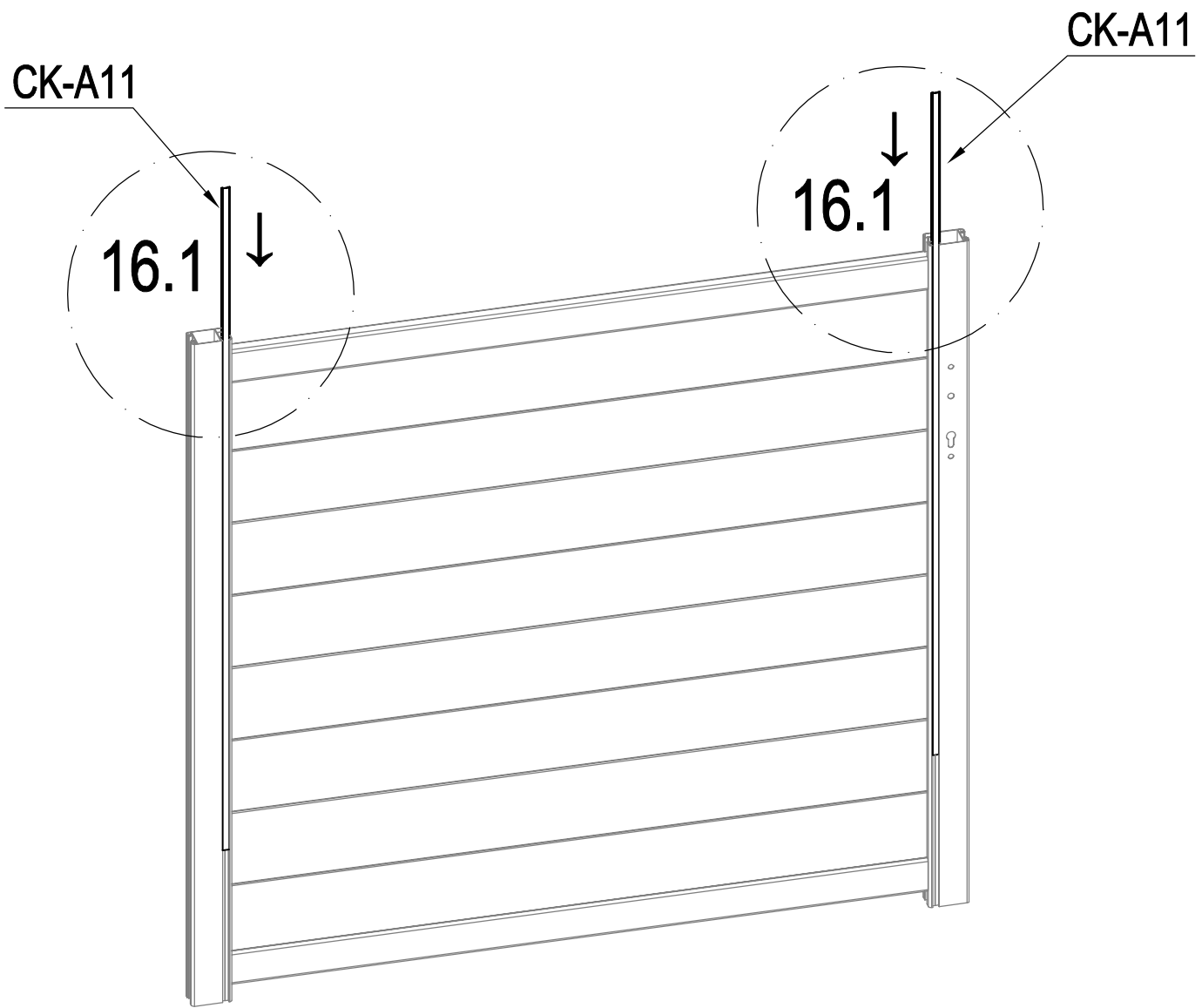
	CK-A2	1
	Dr-28	2
	CK-D33	4



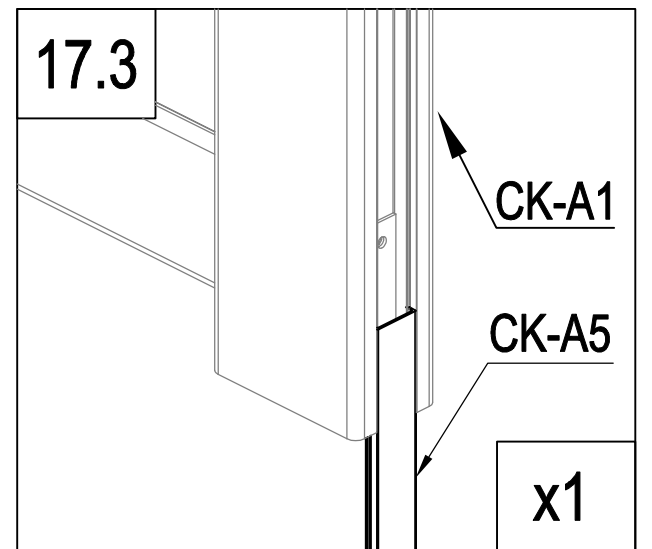
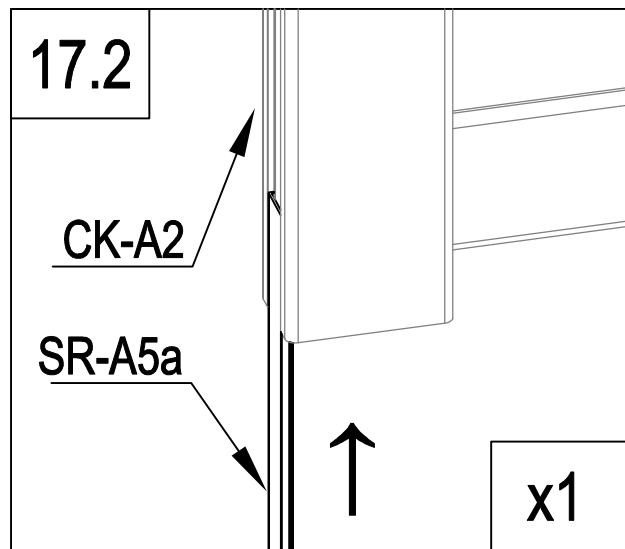
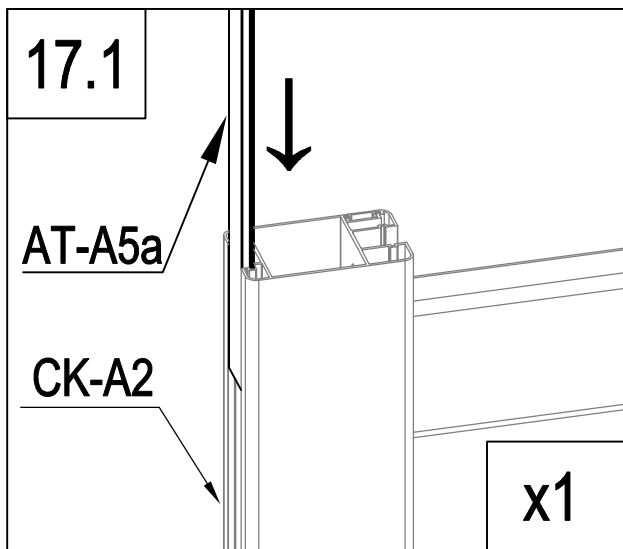
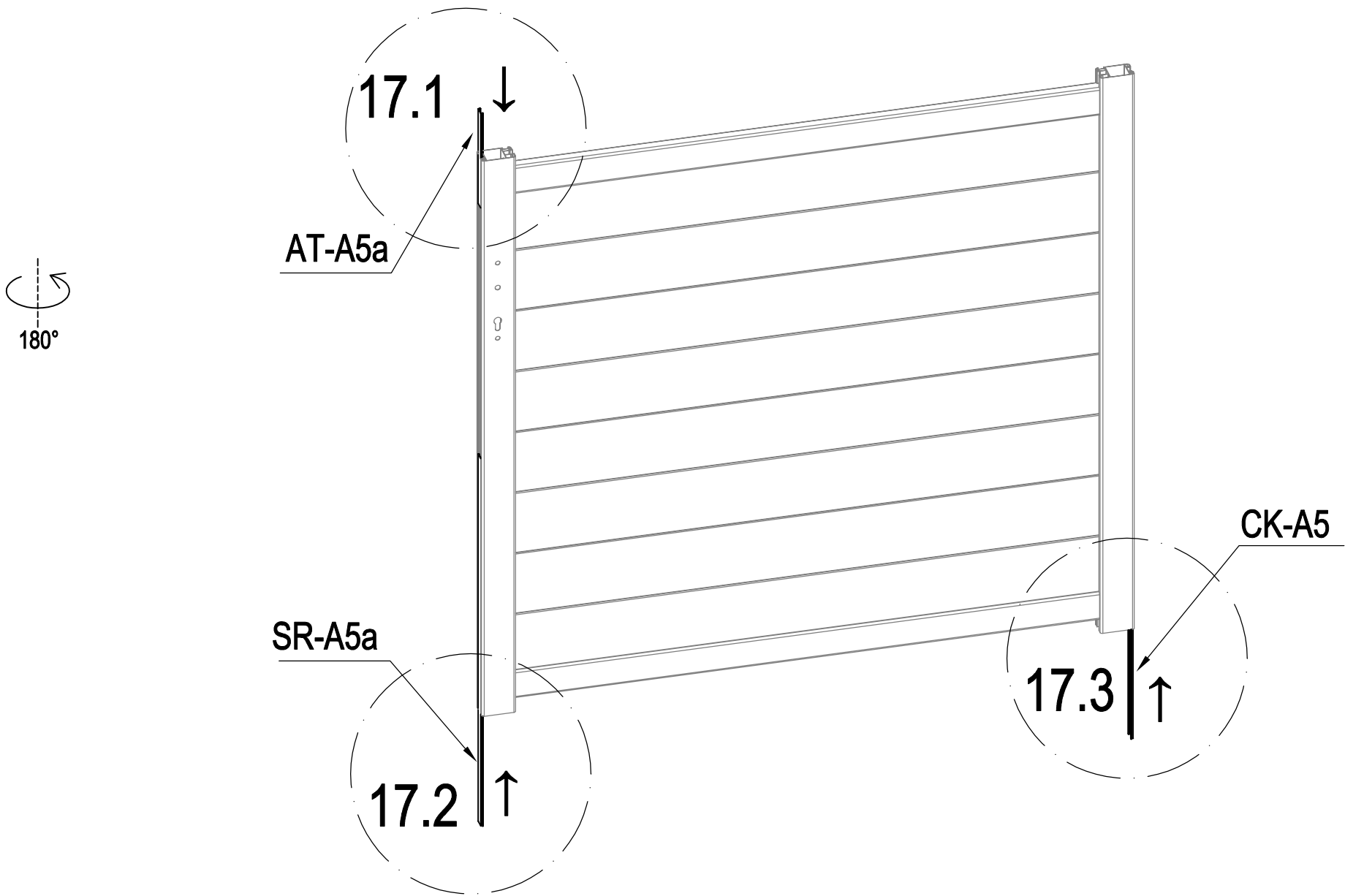
A=B

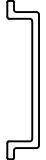


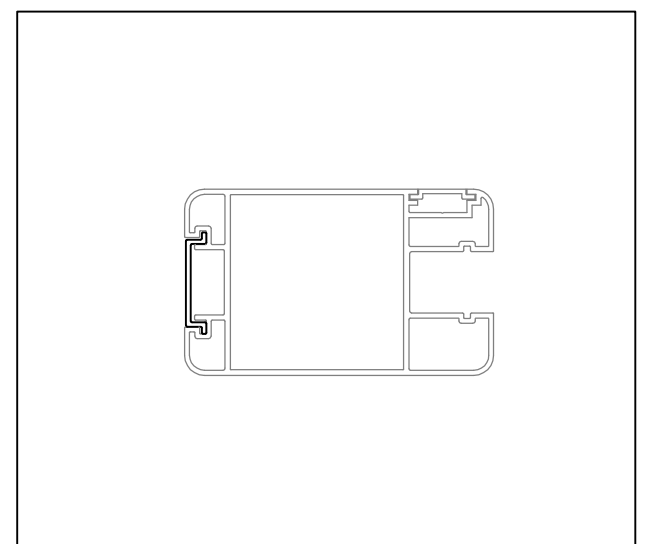
	CK-D36	32
---	--------	----

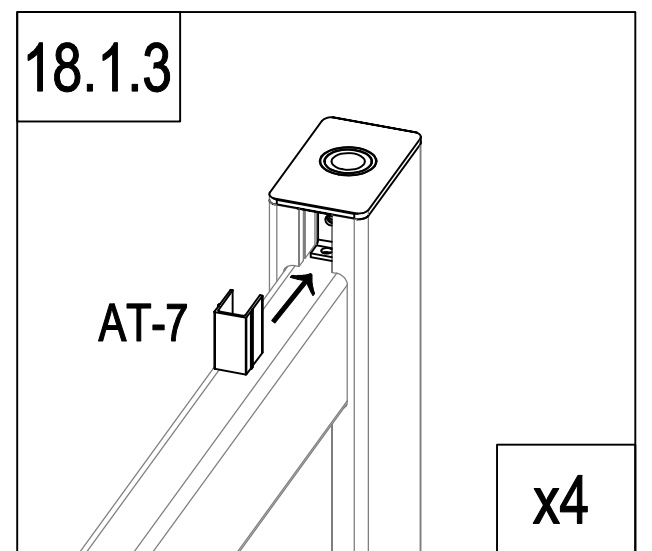
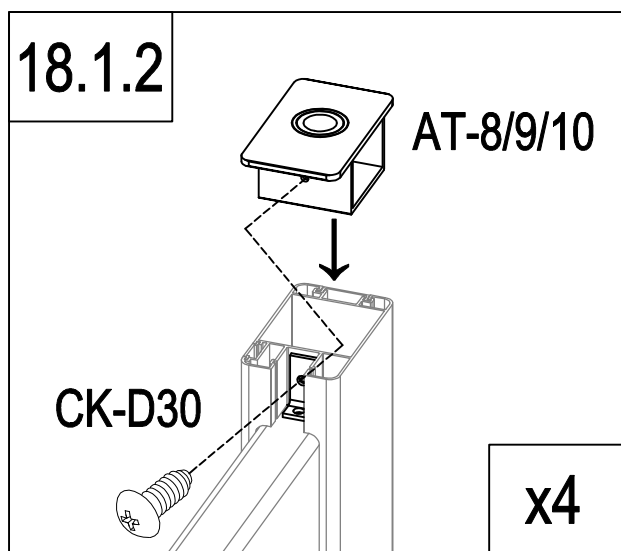
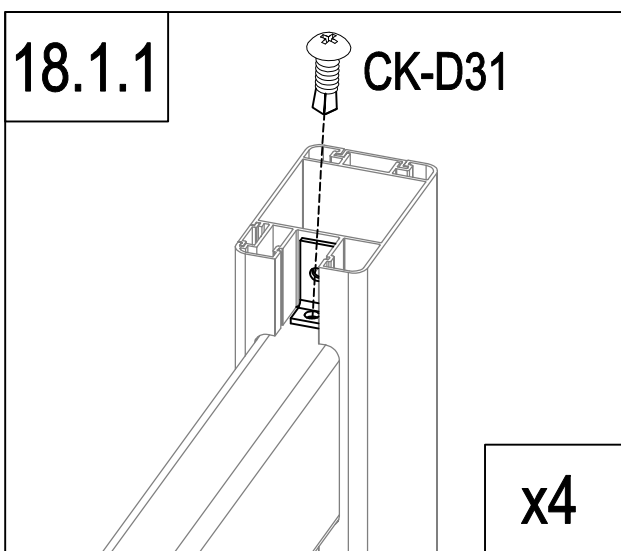
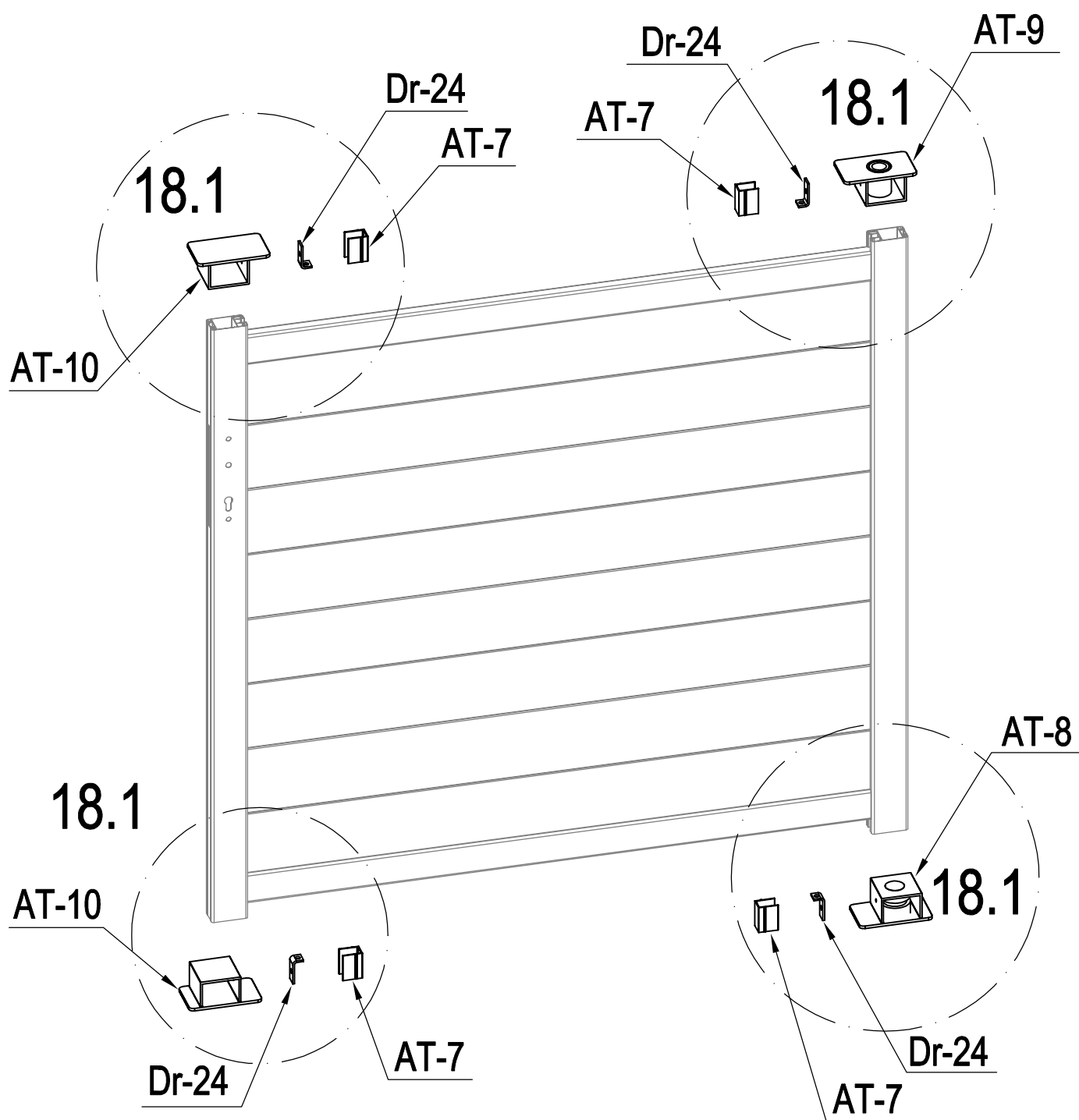


	CK-A11	2
---	--------	---



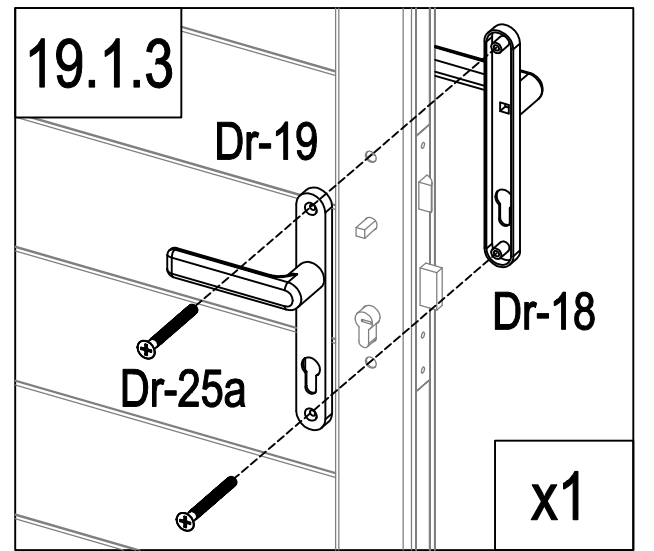
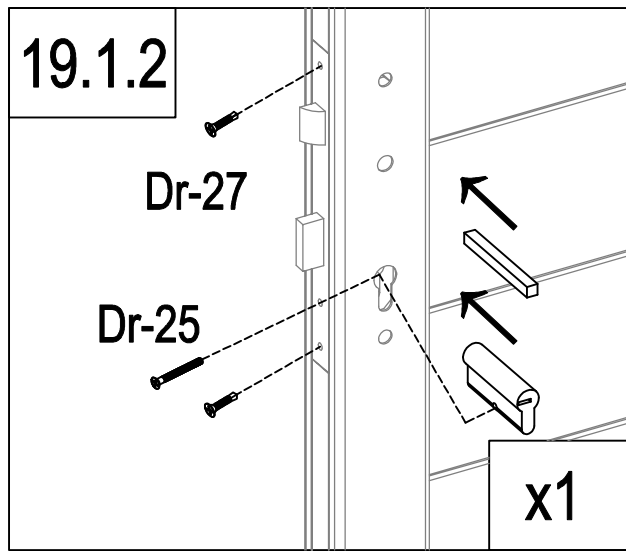
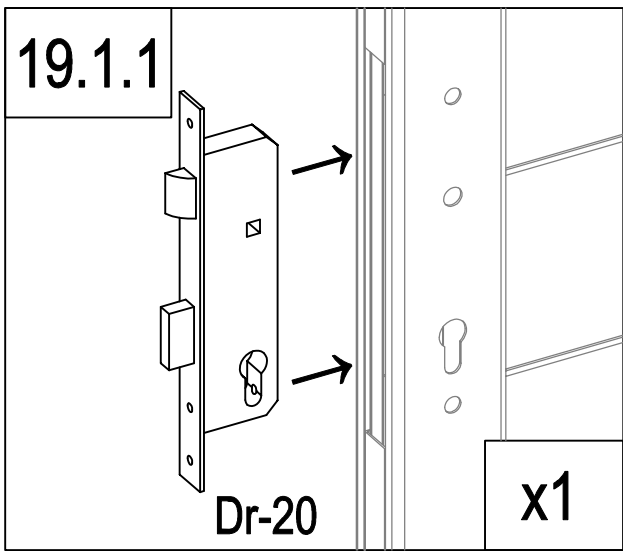
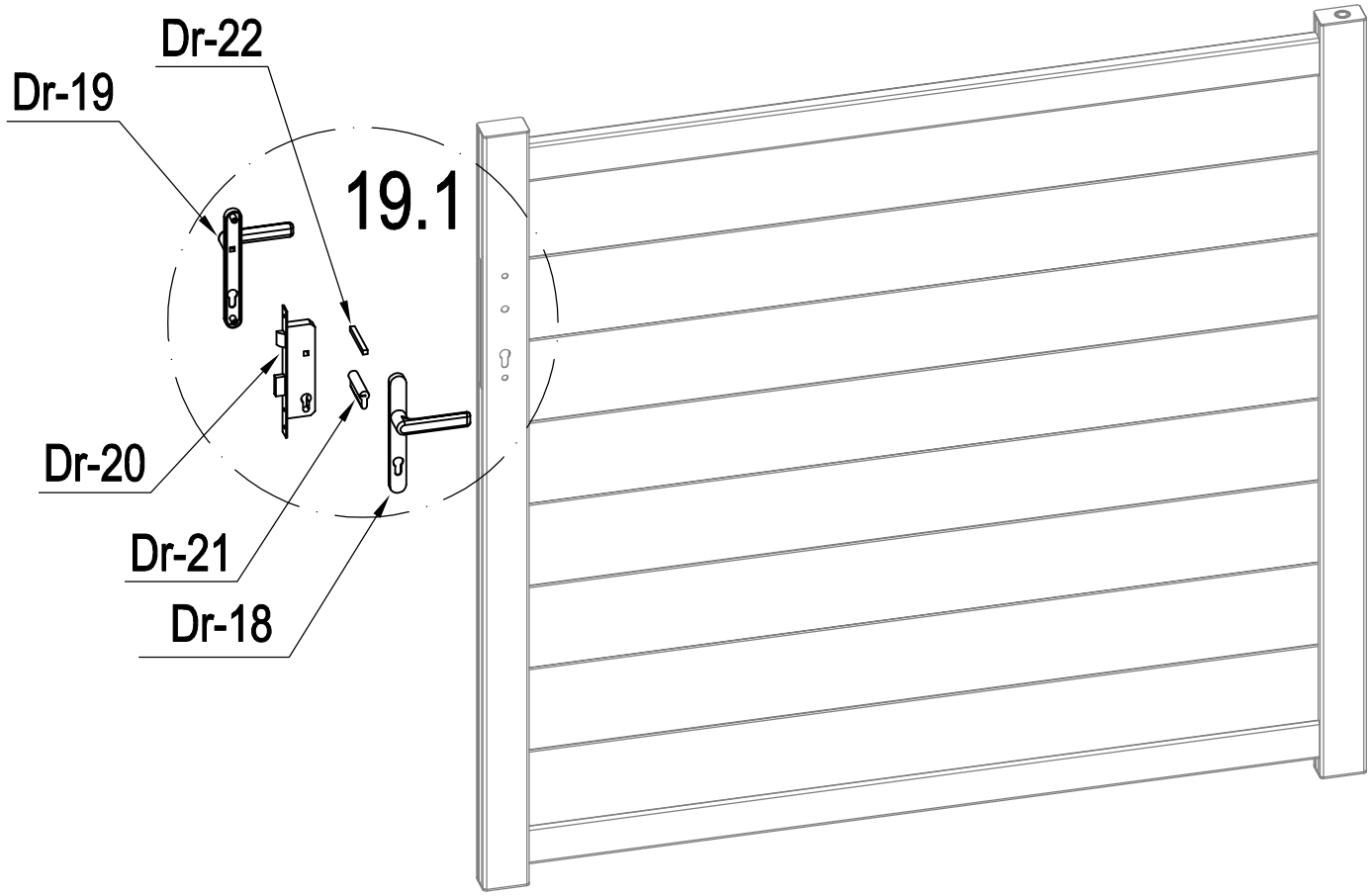
	CK-A5	1
	AT-A5a	1
	SR-A5a	1





	<b>AT-8</b>	<b>1</b>
	<b>AT-9</b>	<b>1</b>
	<b>AT-10</b>	<b>2</b>
	<b>Dr-24</b>	<b>4</b>

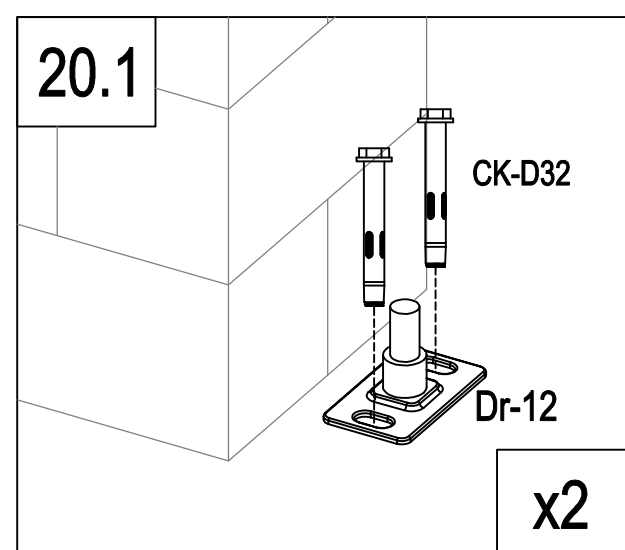
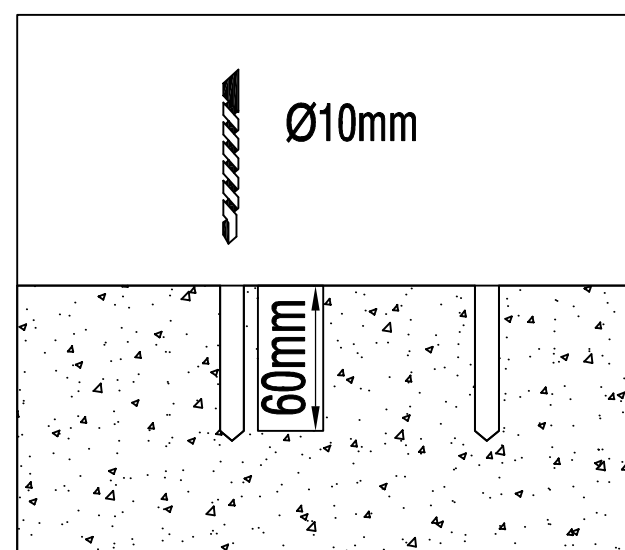
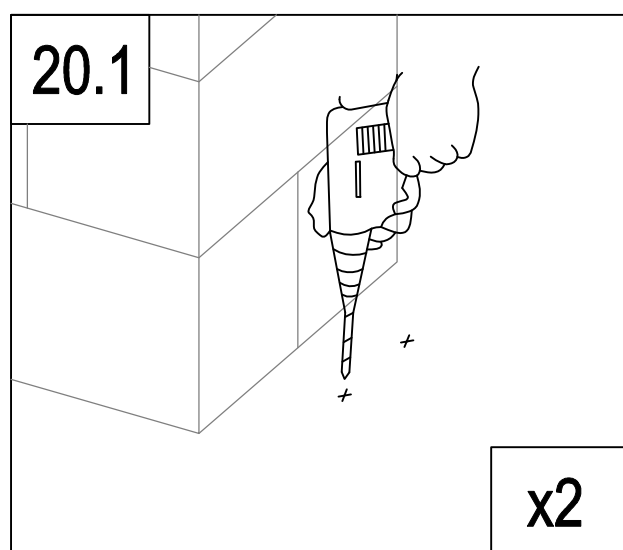
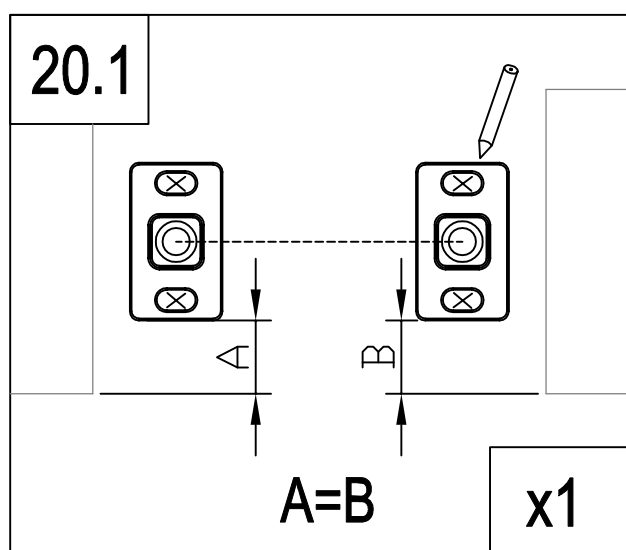
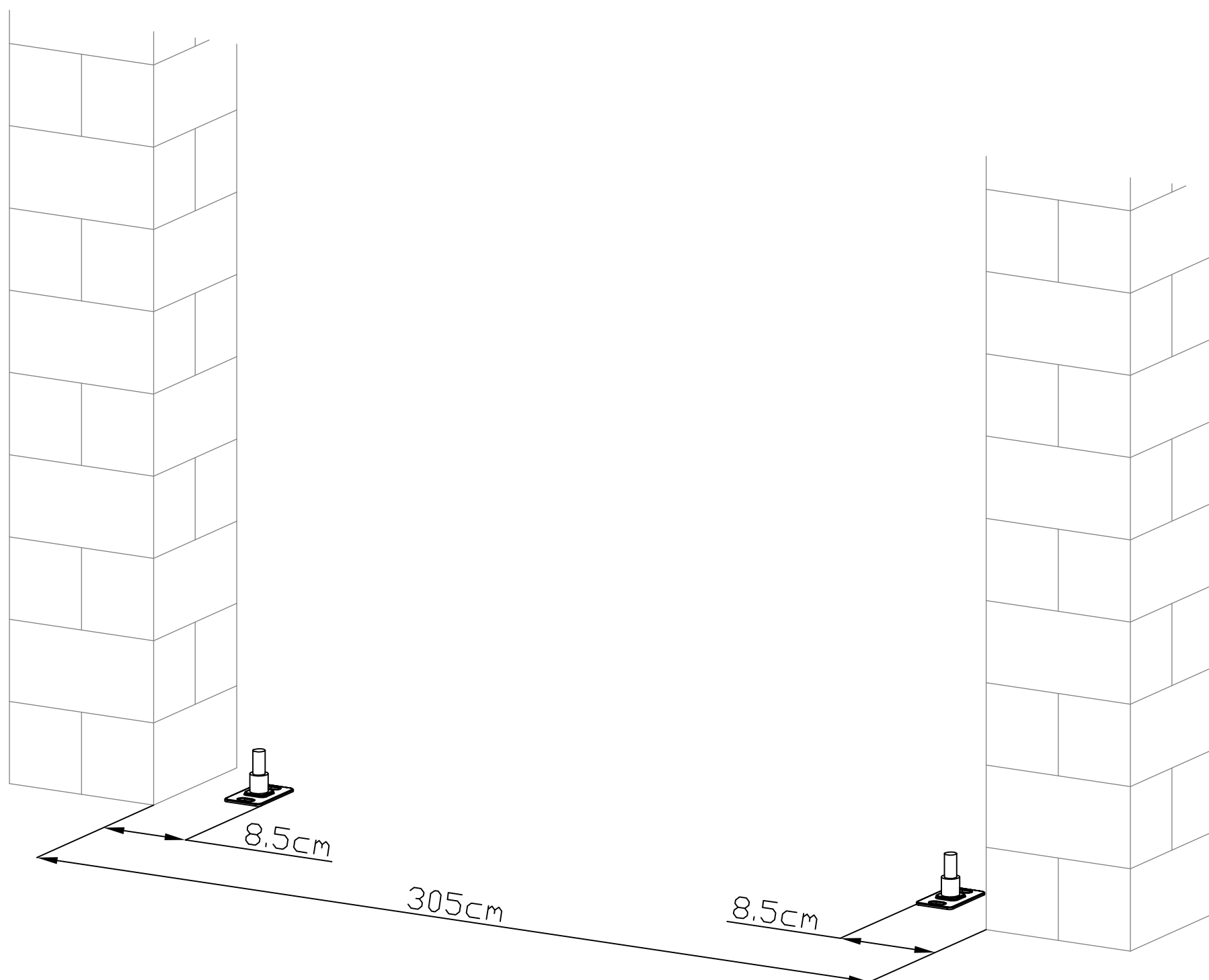
	<b>AT-7</b>	<b>4</b>
	<b>CK-D30</b>	<b>4</b>
	<b>CK-D31</b>	<b>4</b>

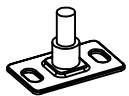



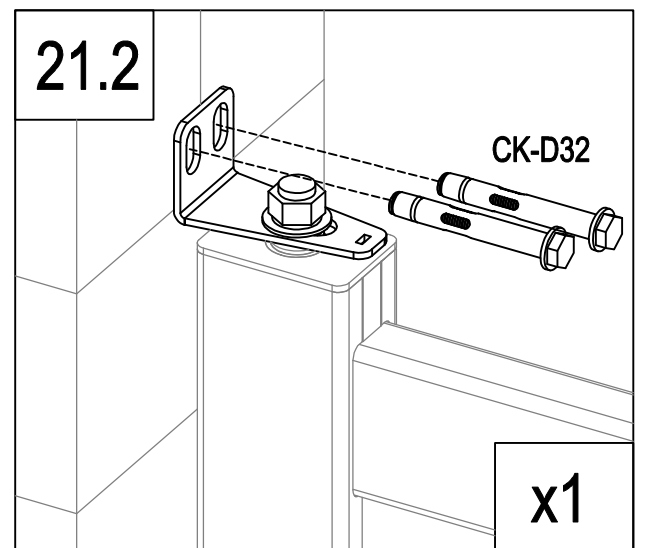
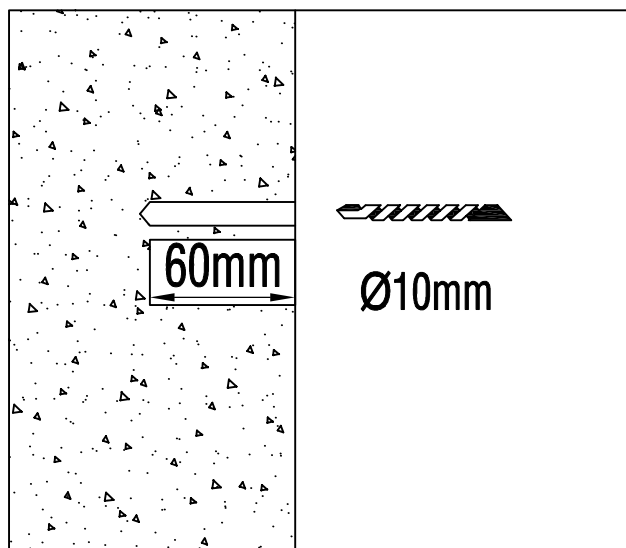
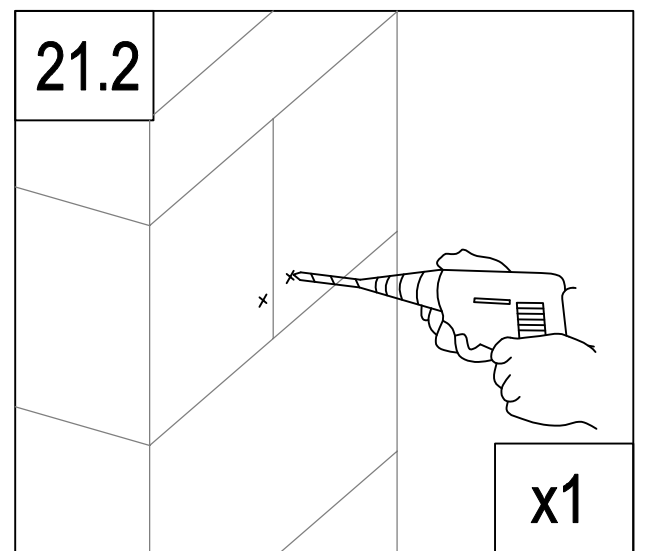
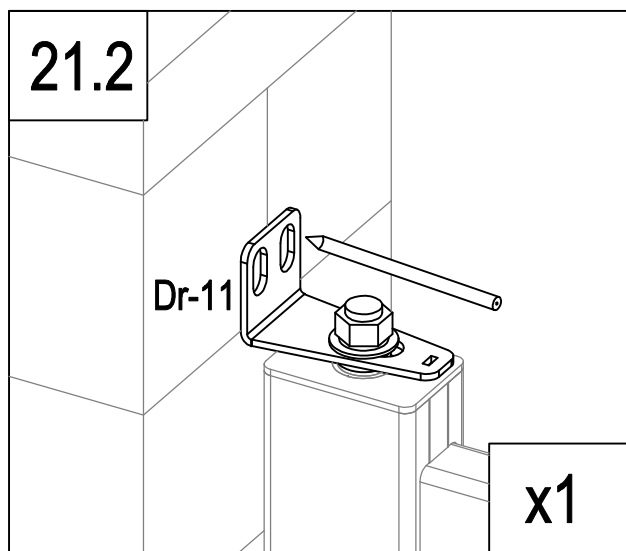
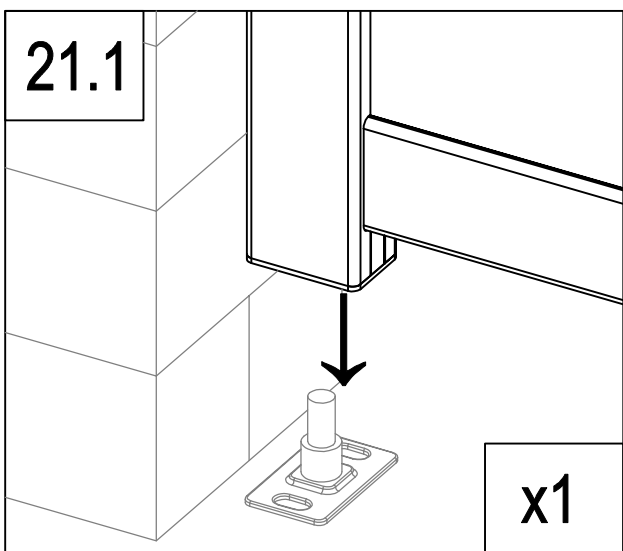
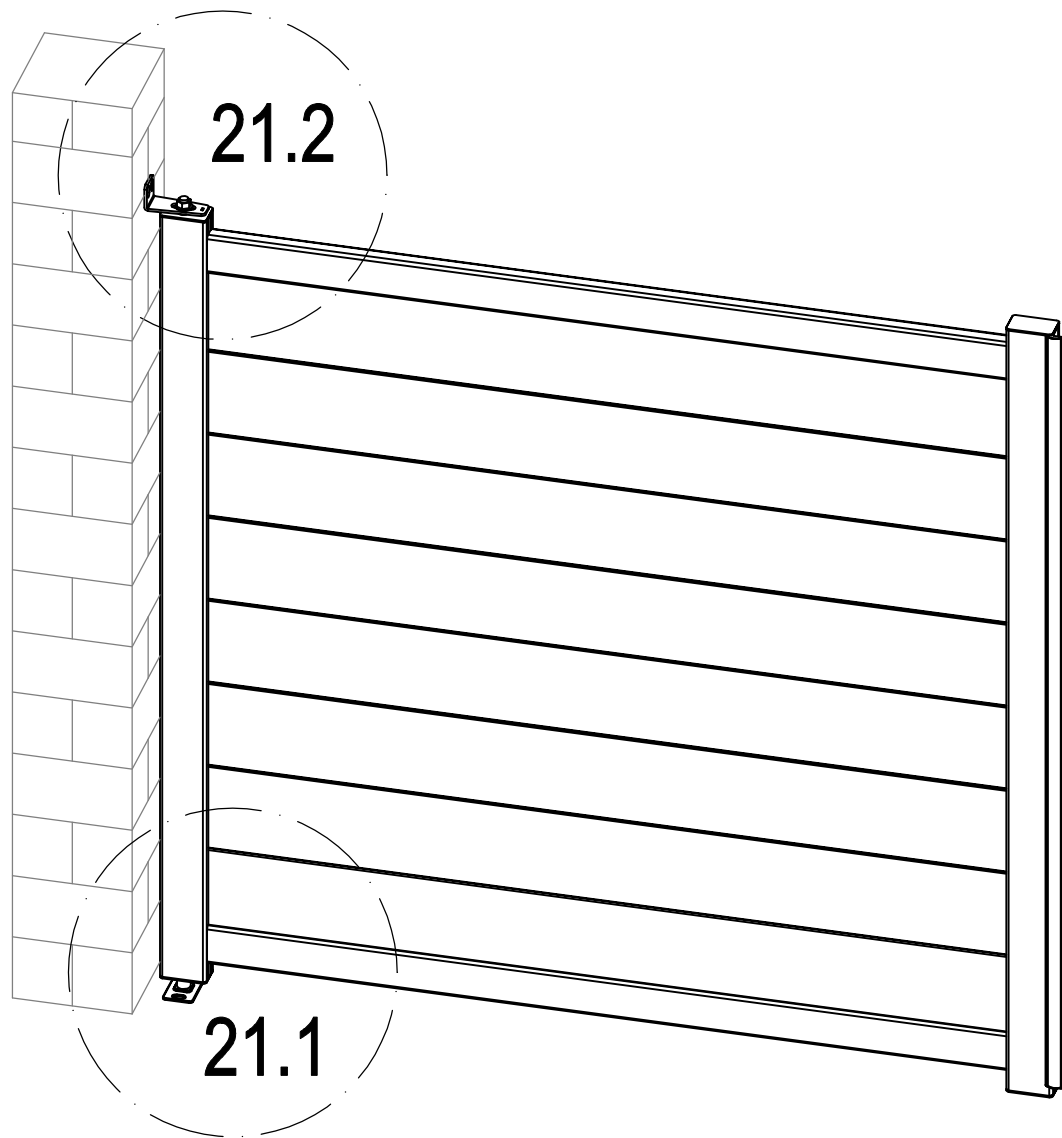
	Dr-20	1
	Dr-21	1
	Dr-22	1
	Dr-25	1

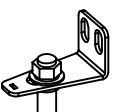

	Dr-18	1
	Dr-19	1
	Dr-25a	2
	Dr-27	2

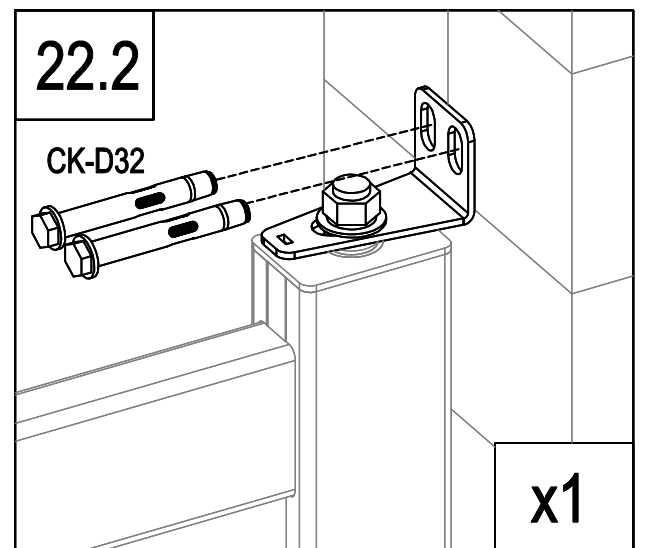
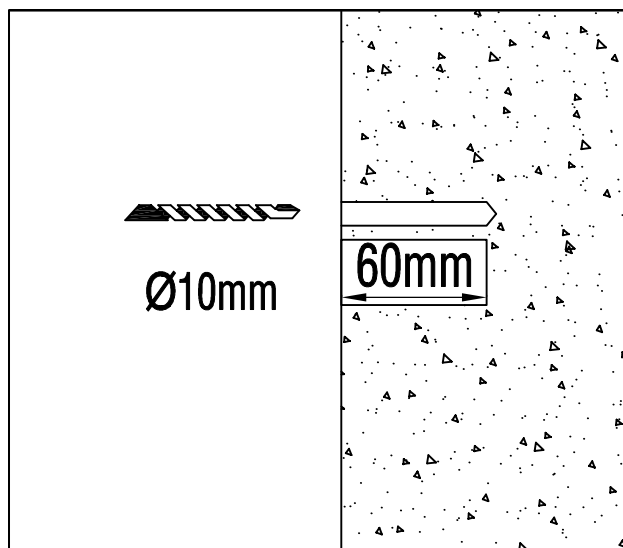
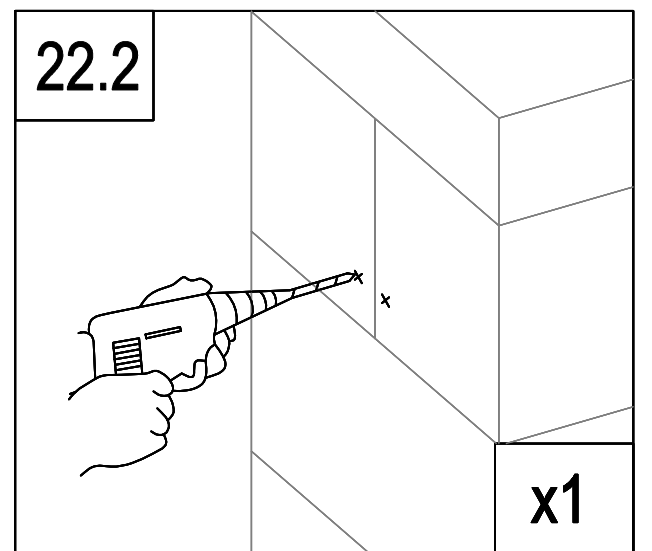
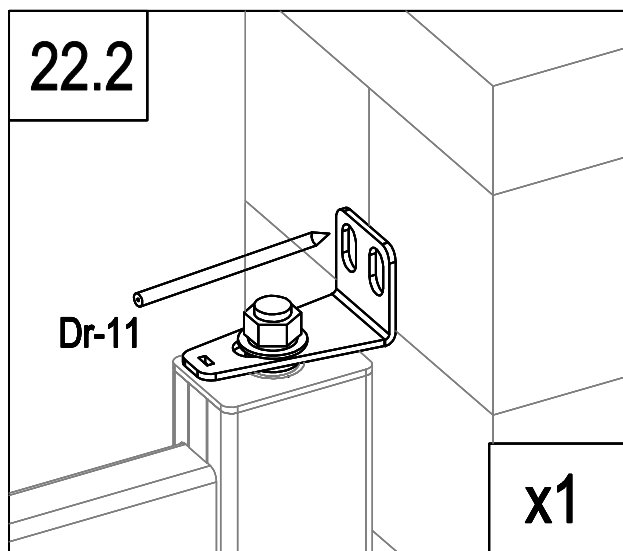
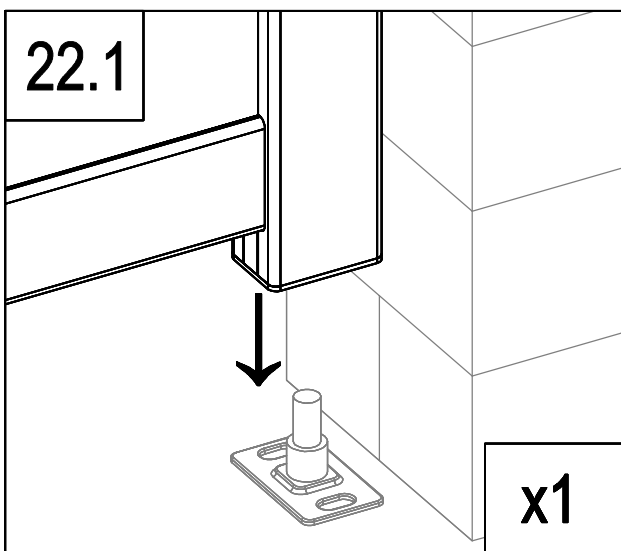
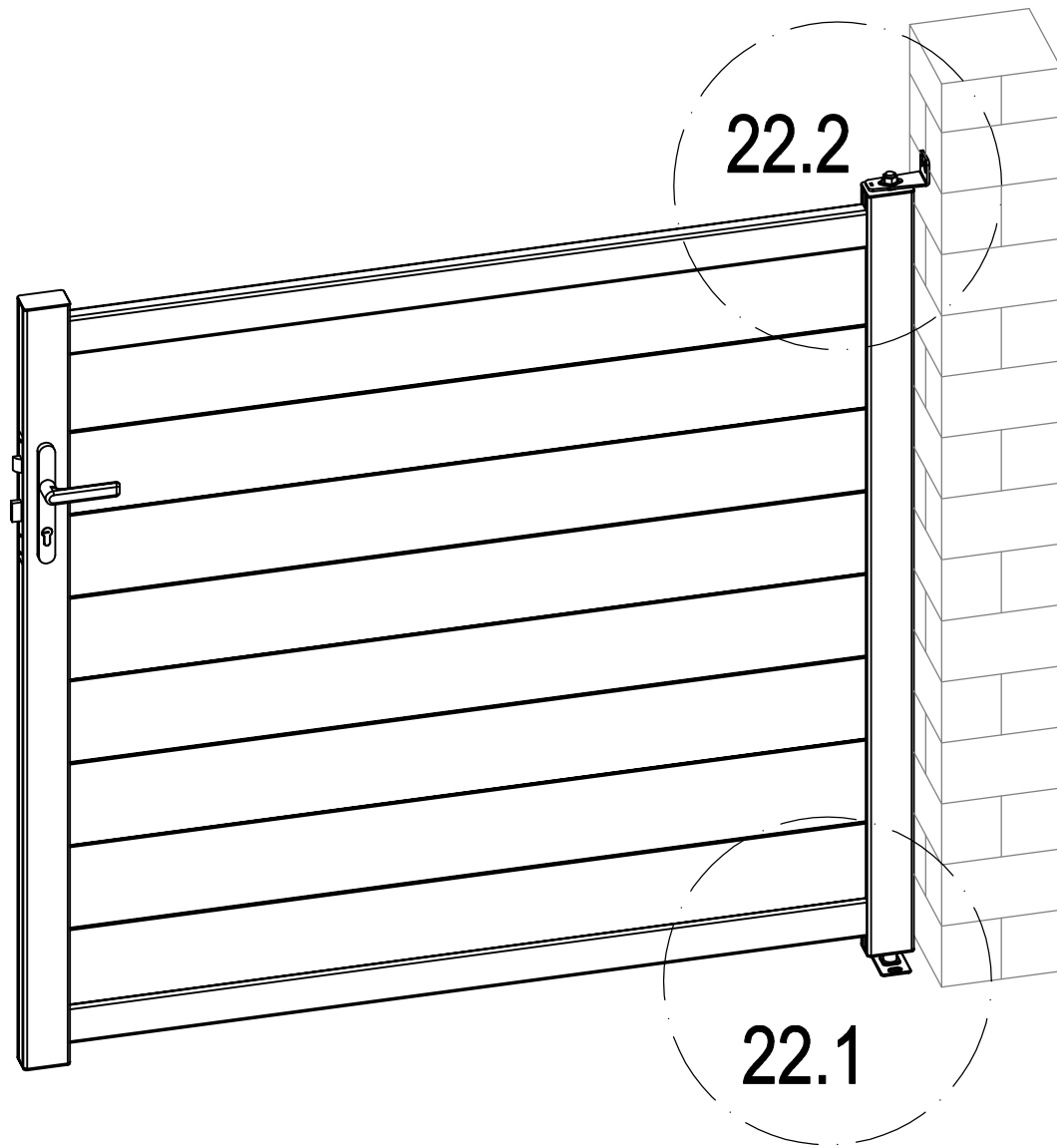


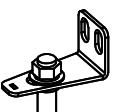



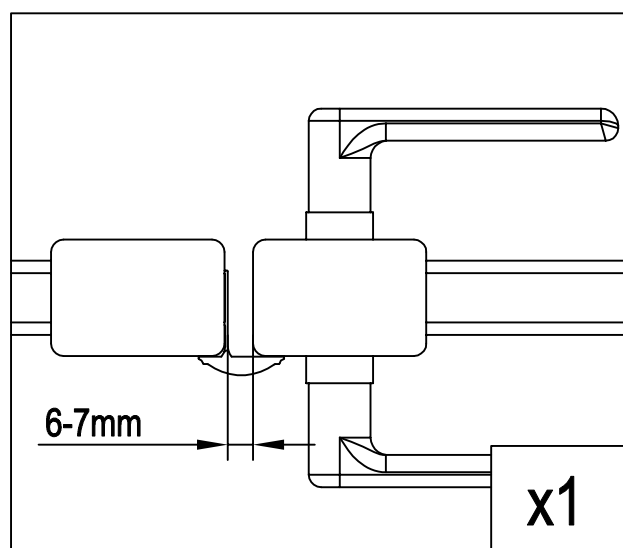
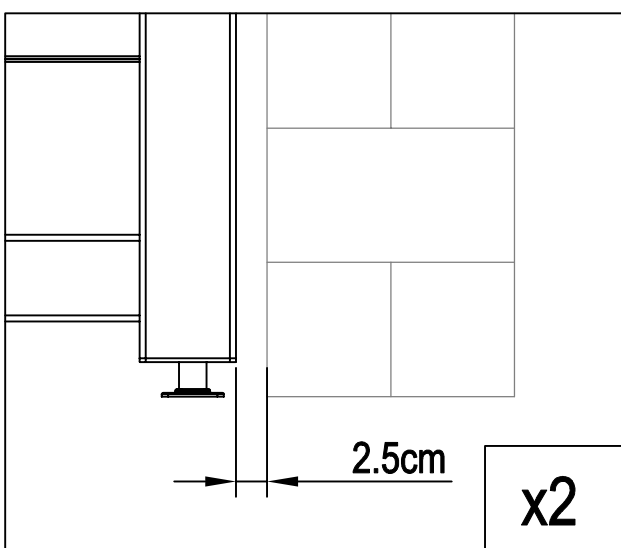
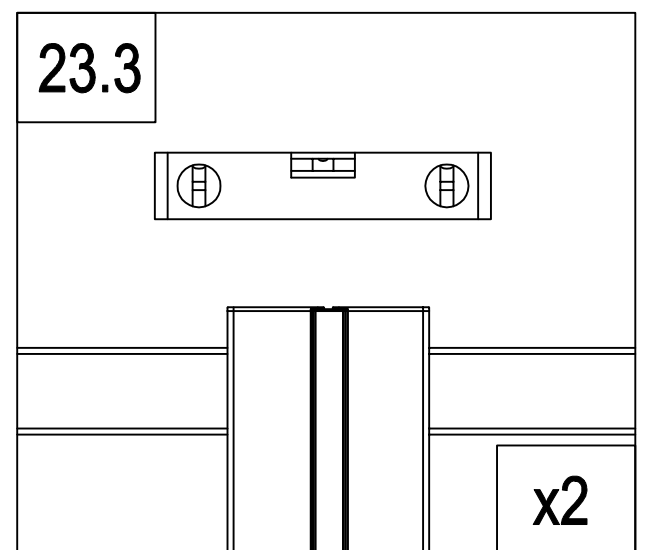
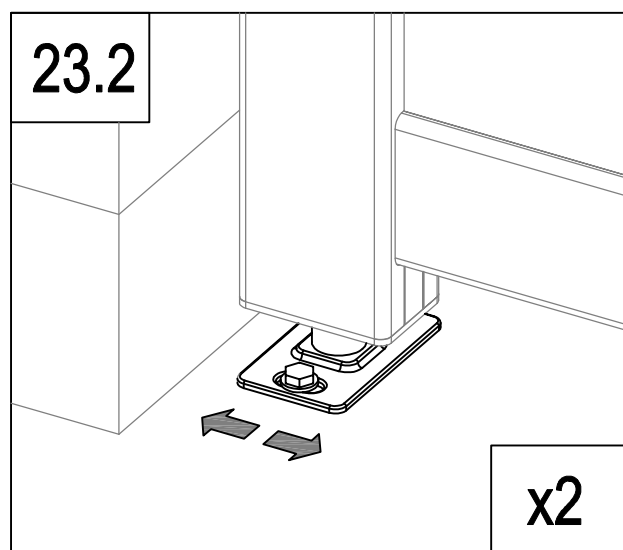
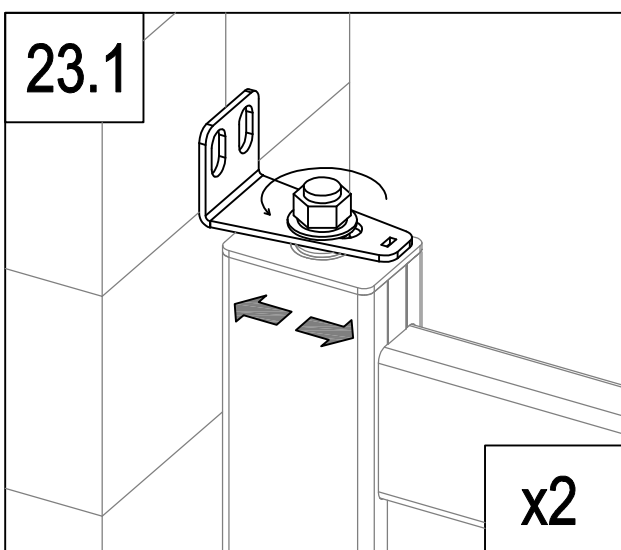
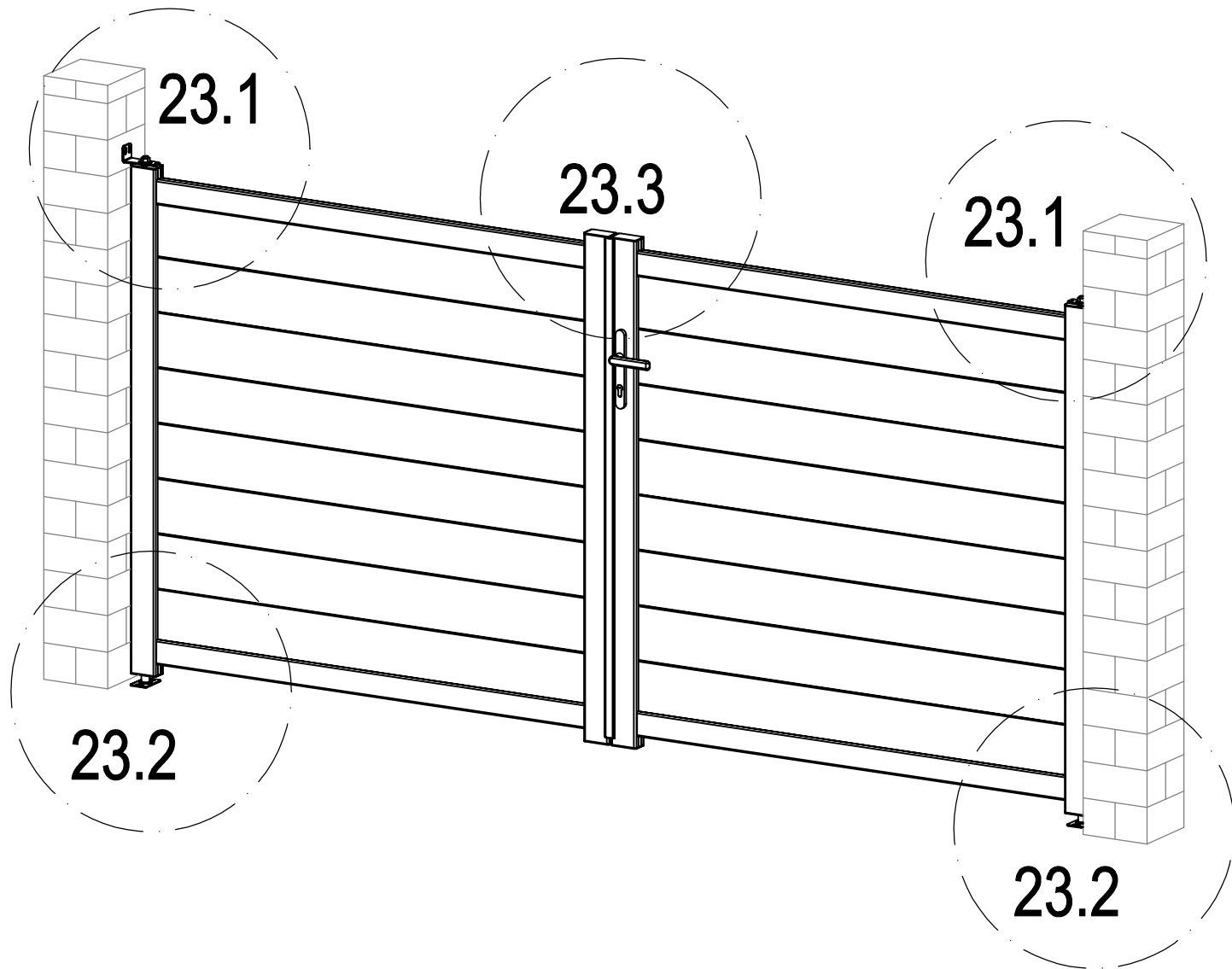
	Dr-12	2
	CK-D32	4

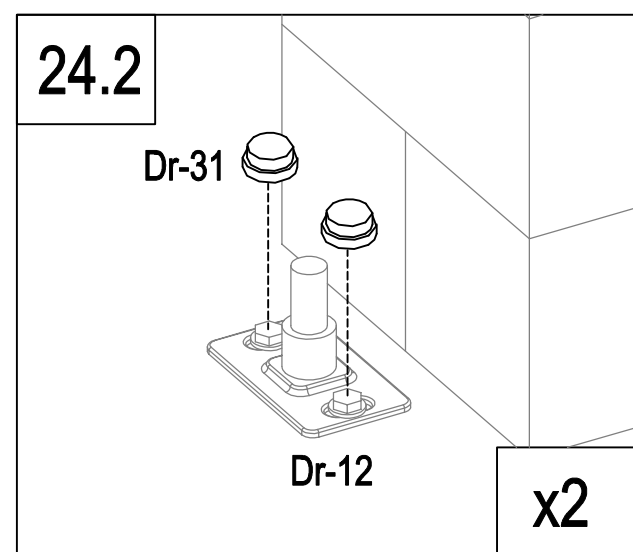
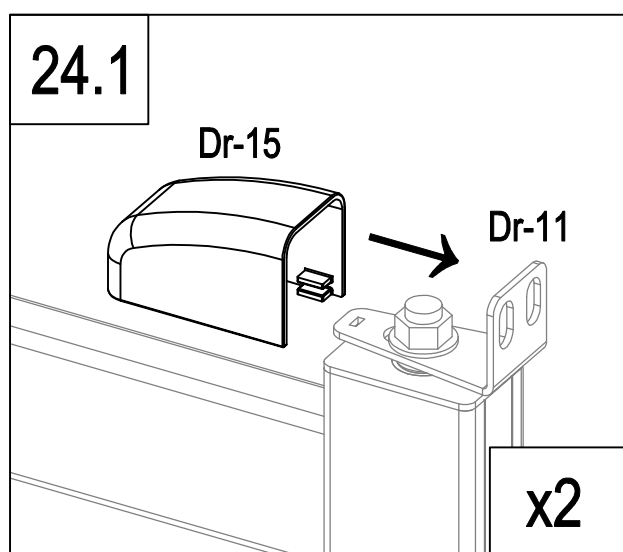
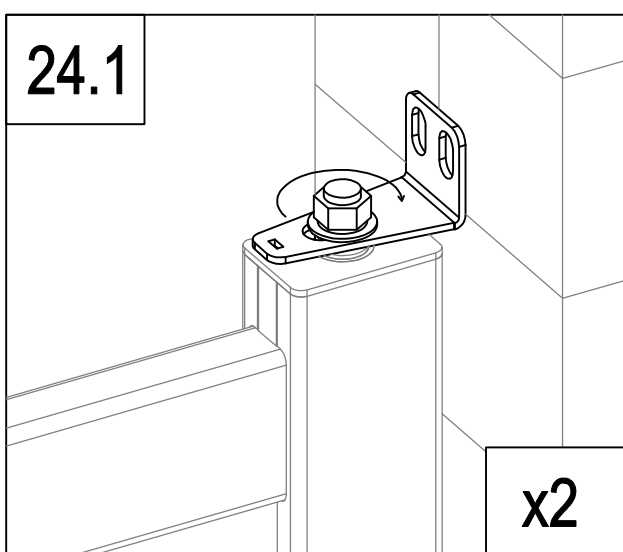
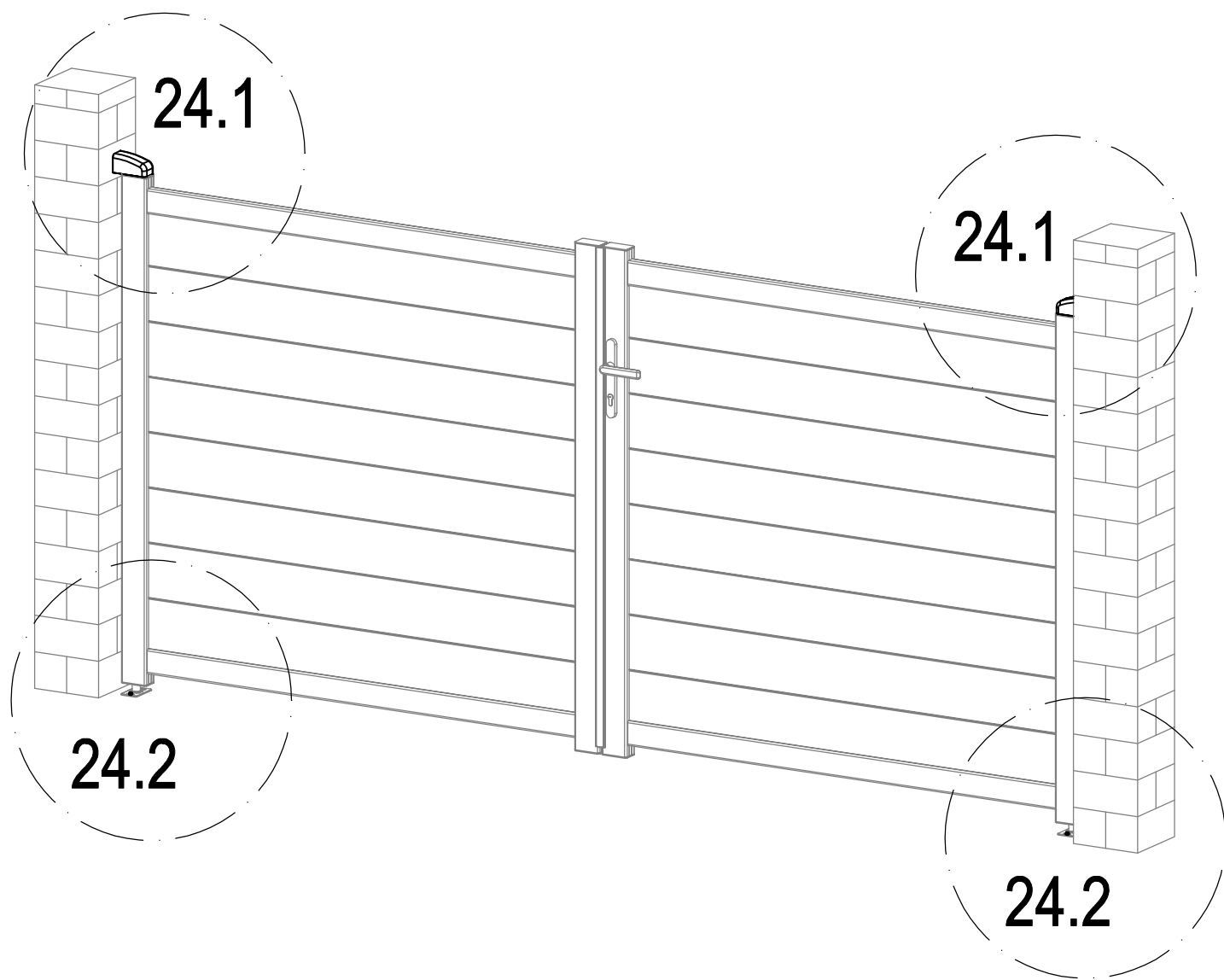


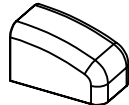

	Dr-11	1
	CK-D32	2

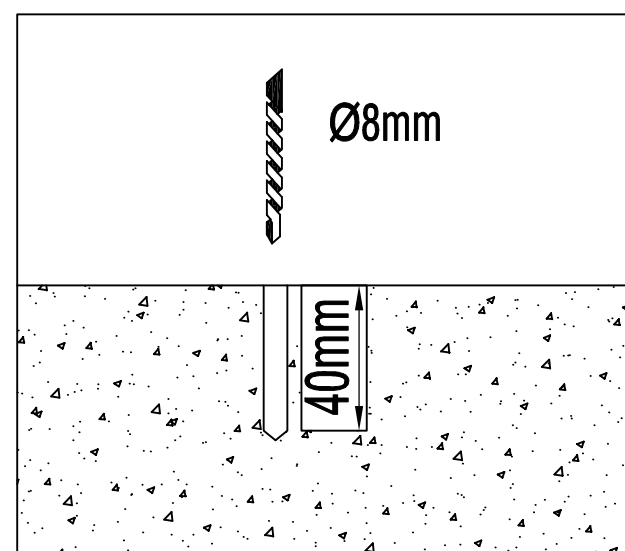
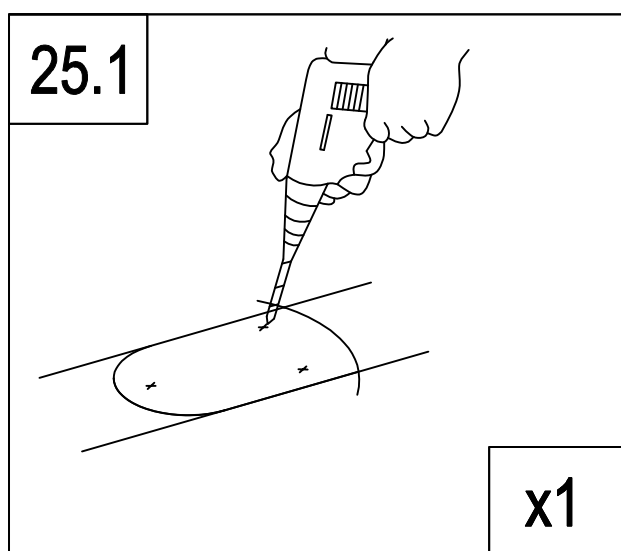
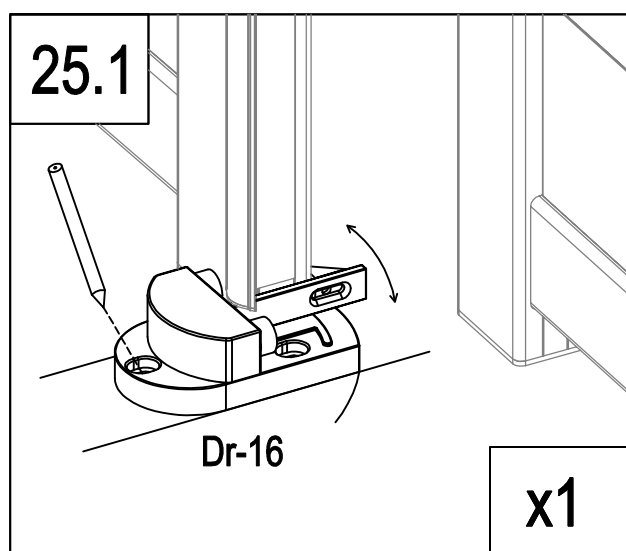
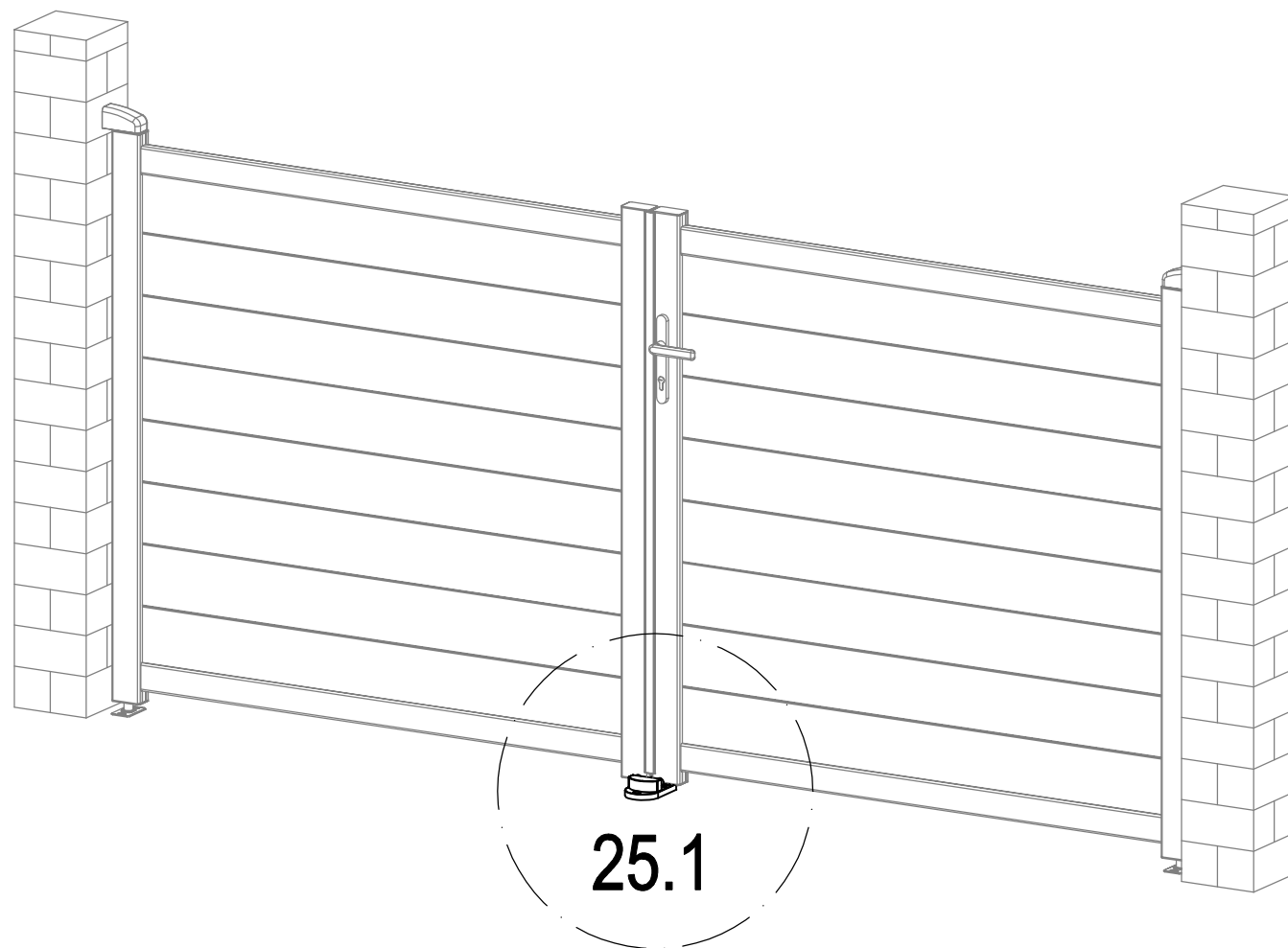


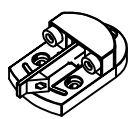


	Dr-11	1
	CK-D32	2

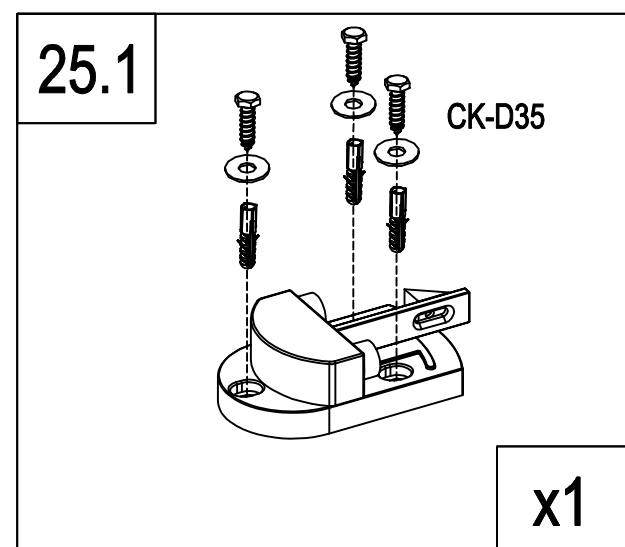


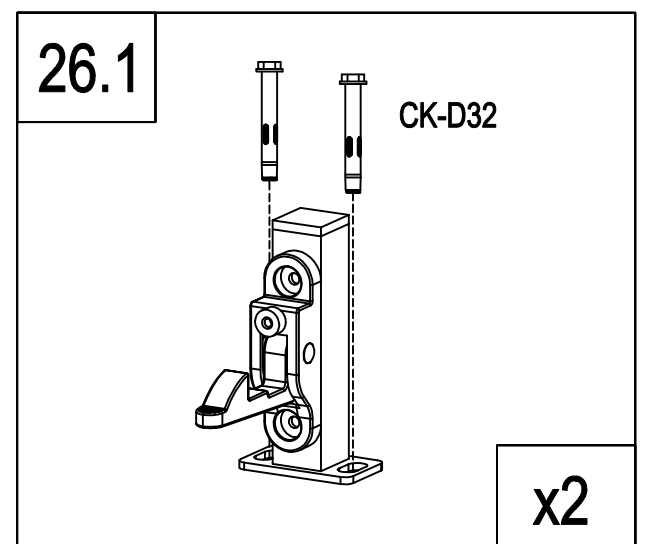
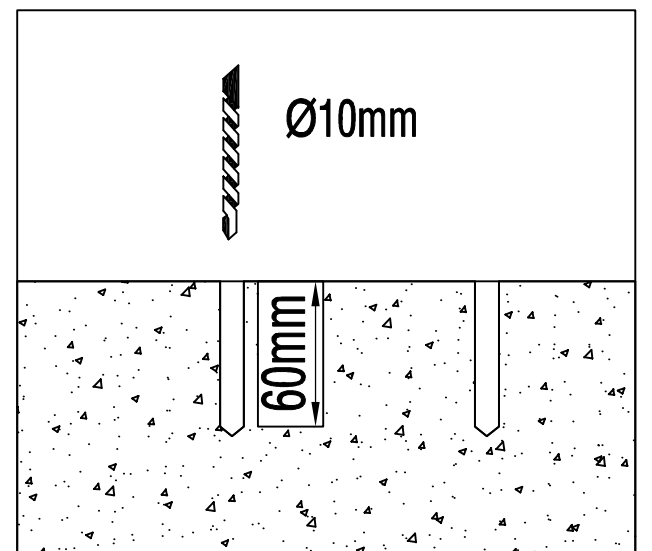
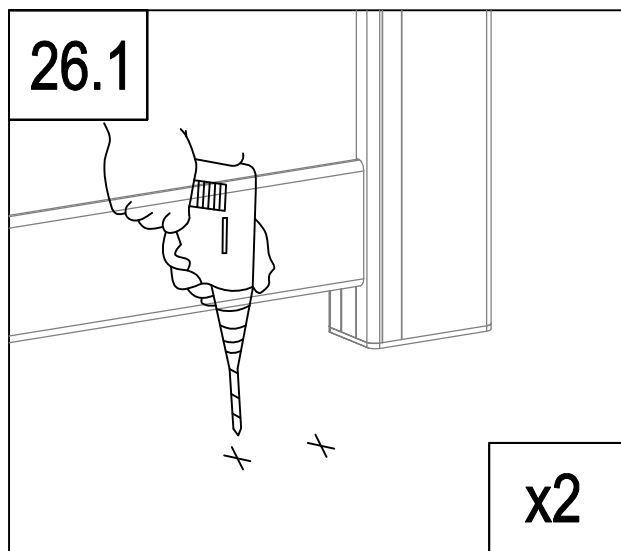
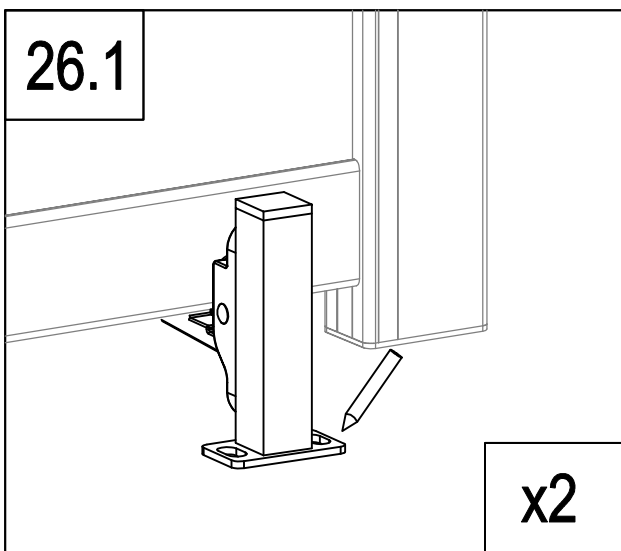
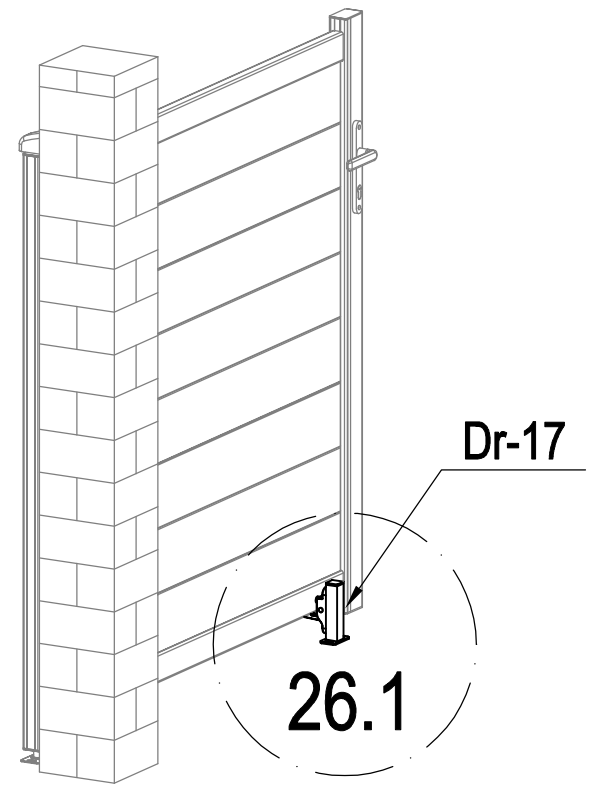
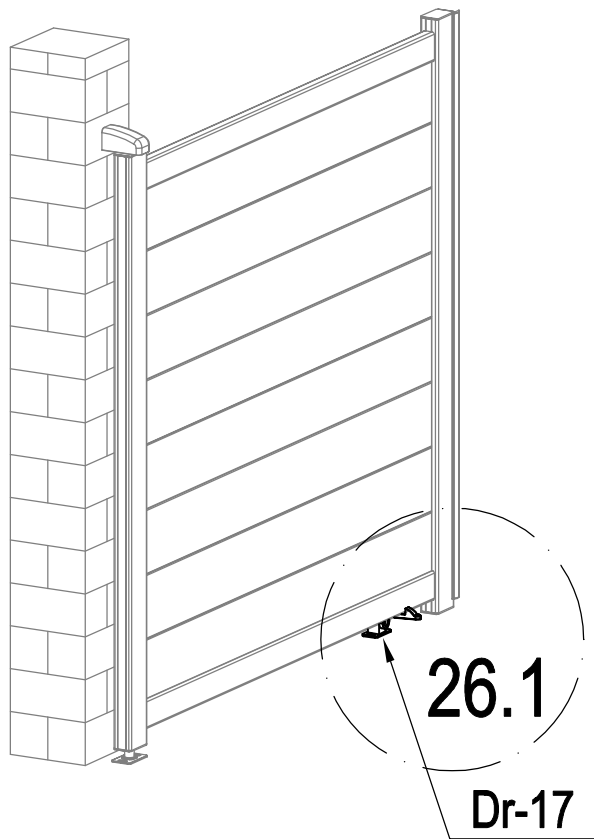



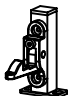
	Dr-15	2
	Dr-31	4



	Dr-16	1
	CK-D34	3
	CK-D35	3





	CK-D32	4
	Dr-17	2