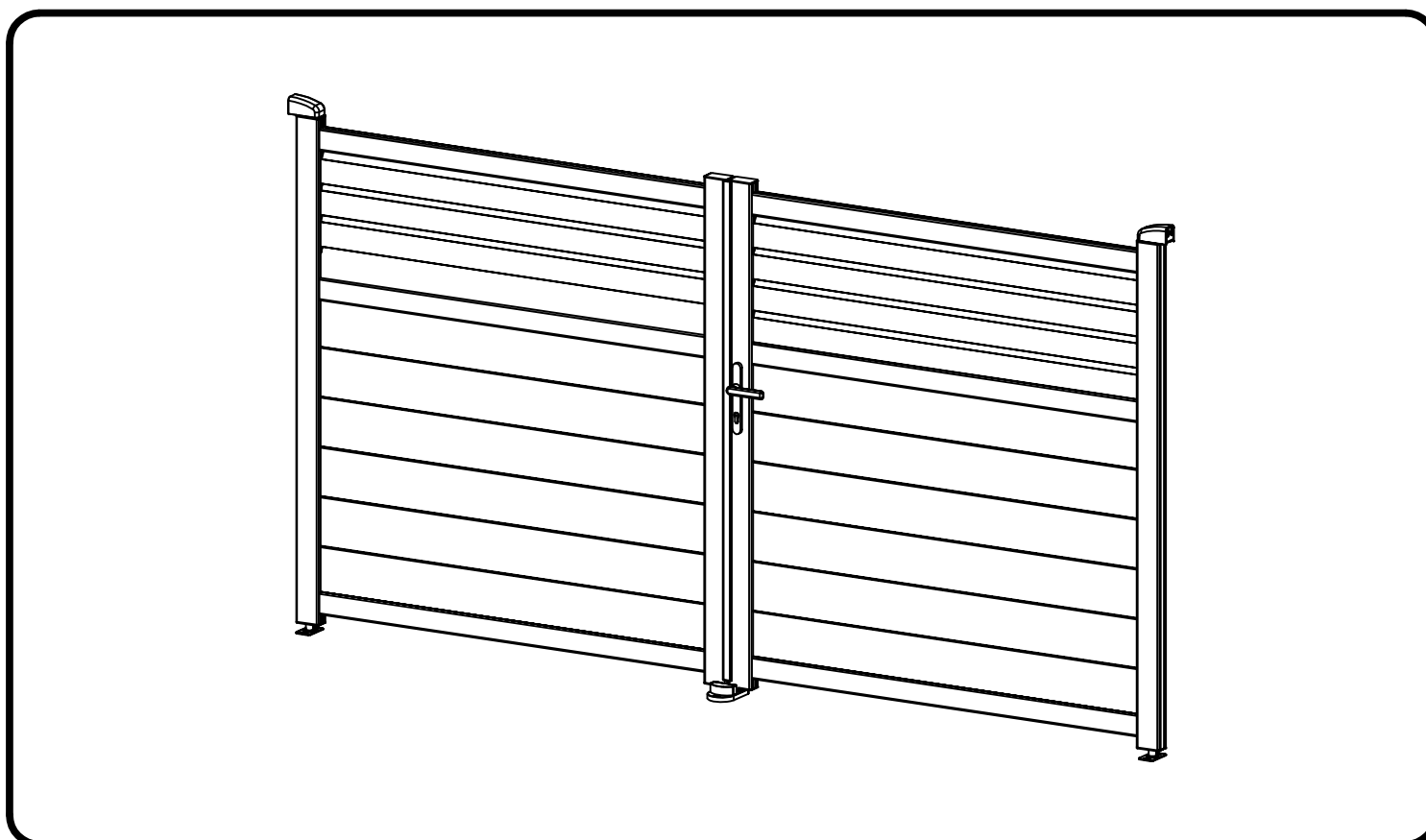


CASANOVO

CARPATIA 300B160



7-8H



x2

COM-000105

[x1]

COM-000106

[x1]

FR

EN

ES

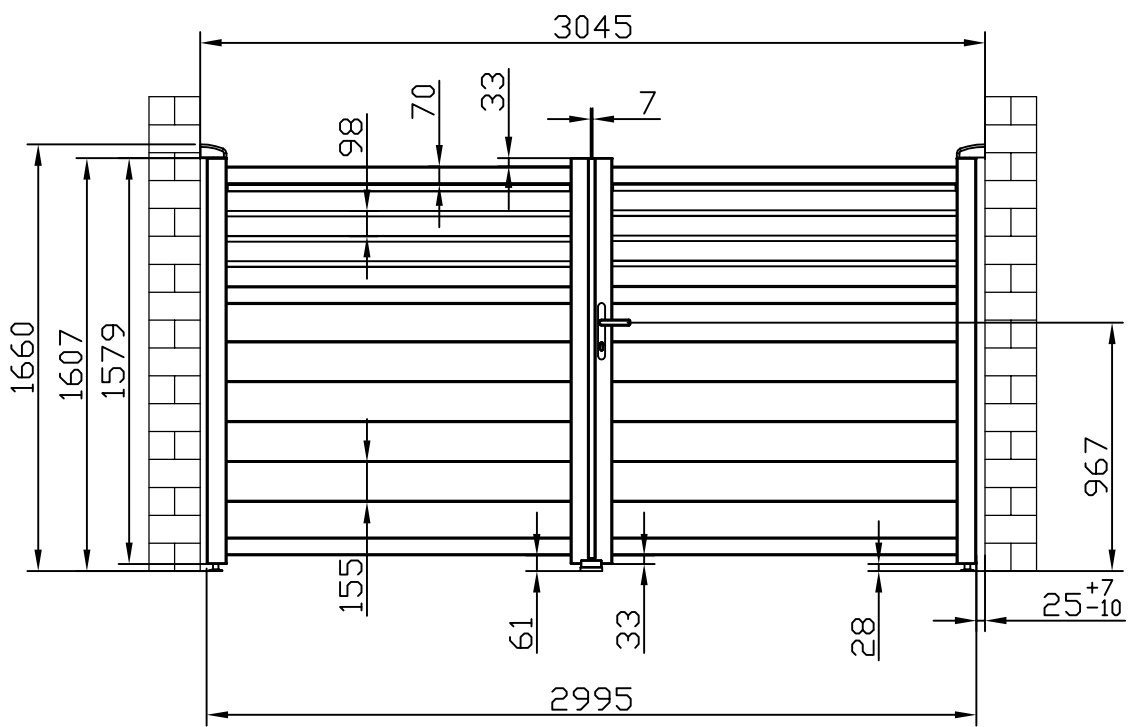
DE

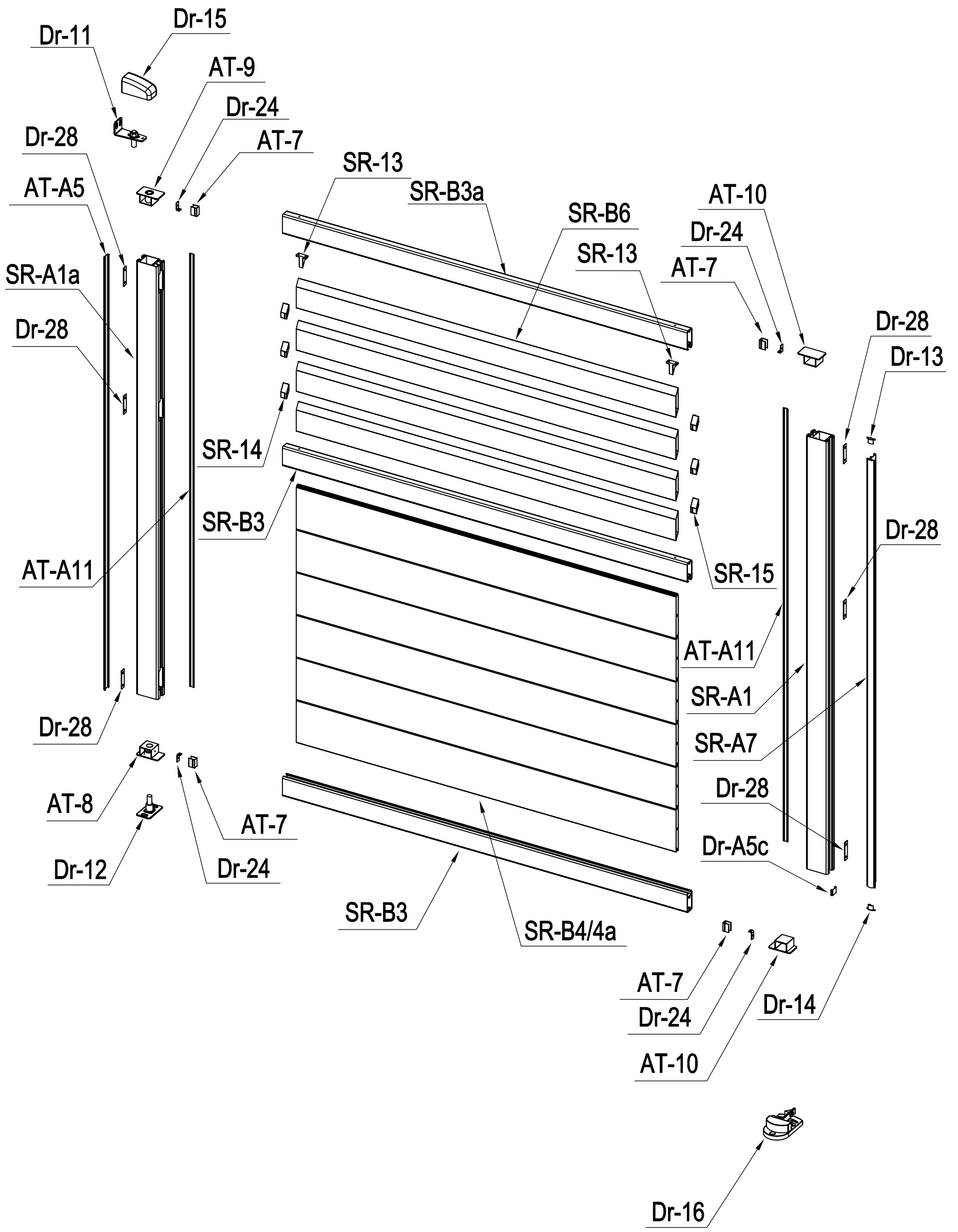
IT

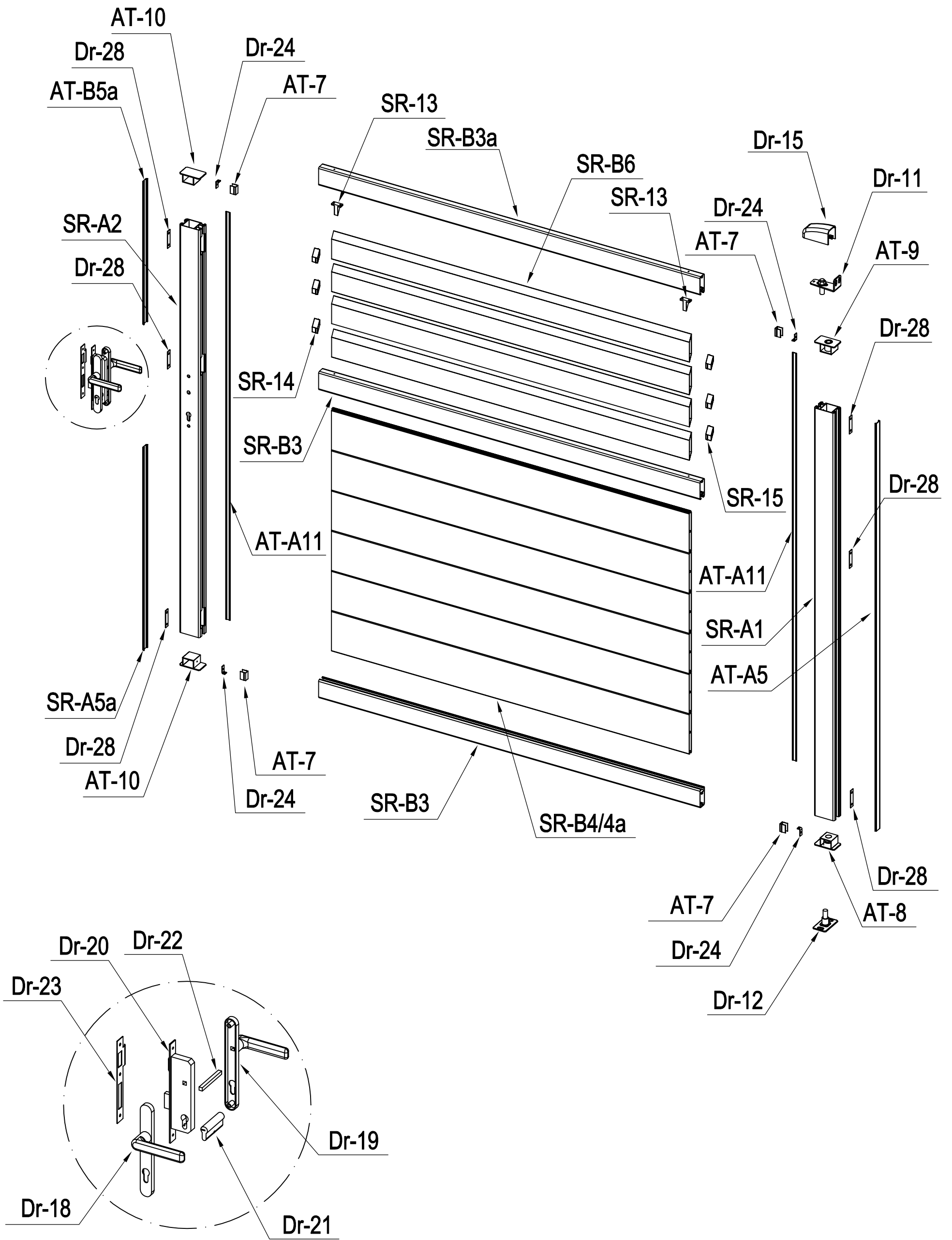
NL

PL

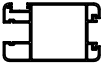


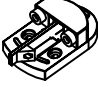
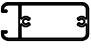


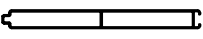
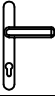
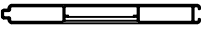

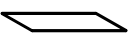

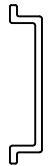
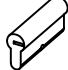


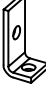
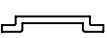





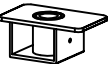








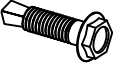










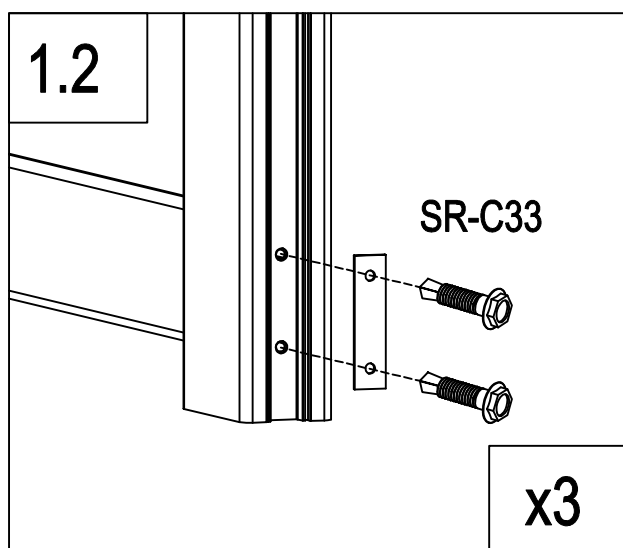
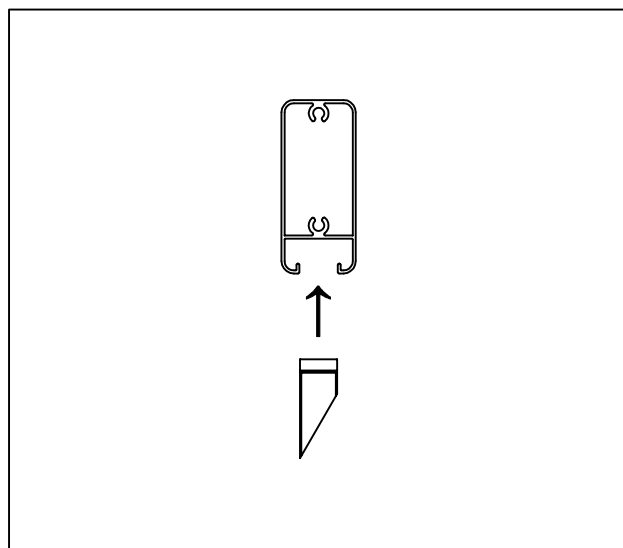
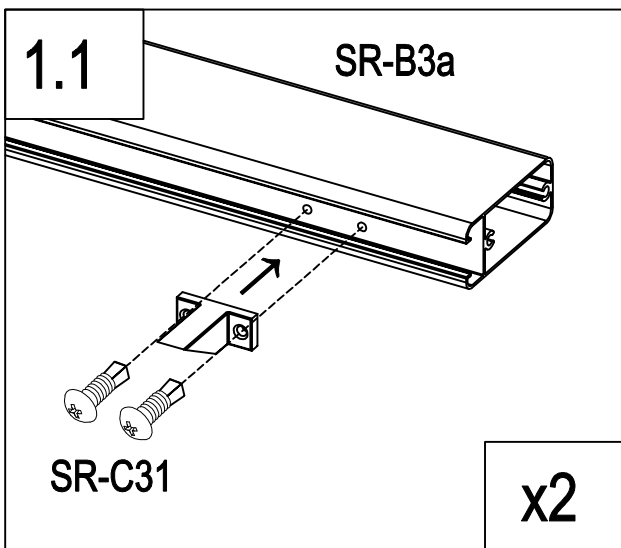
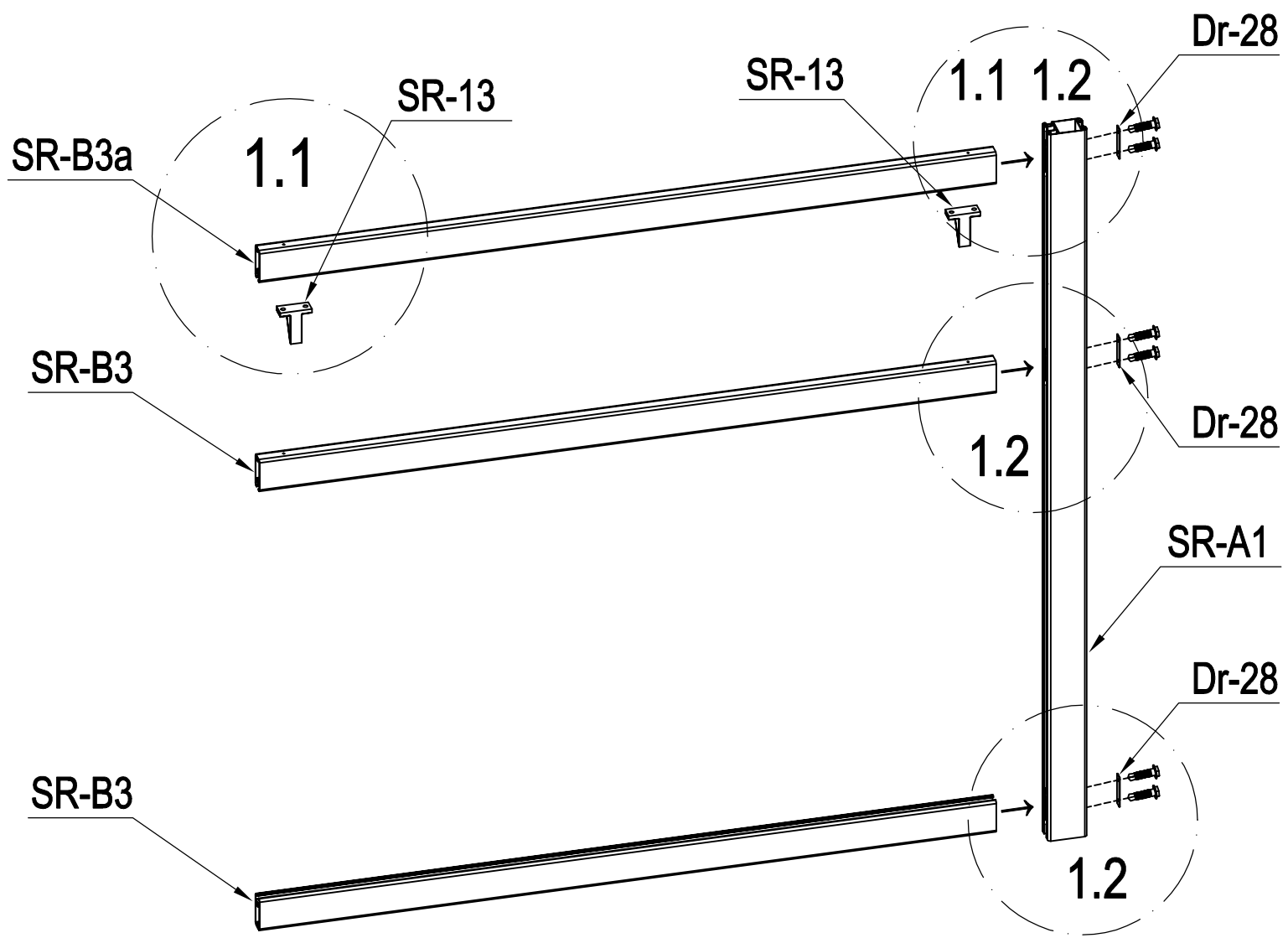






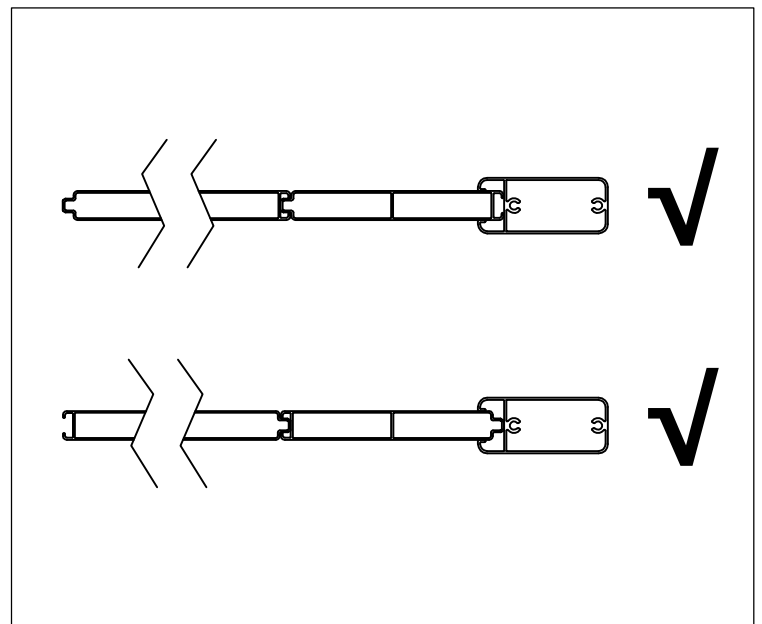
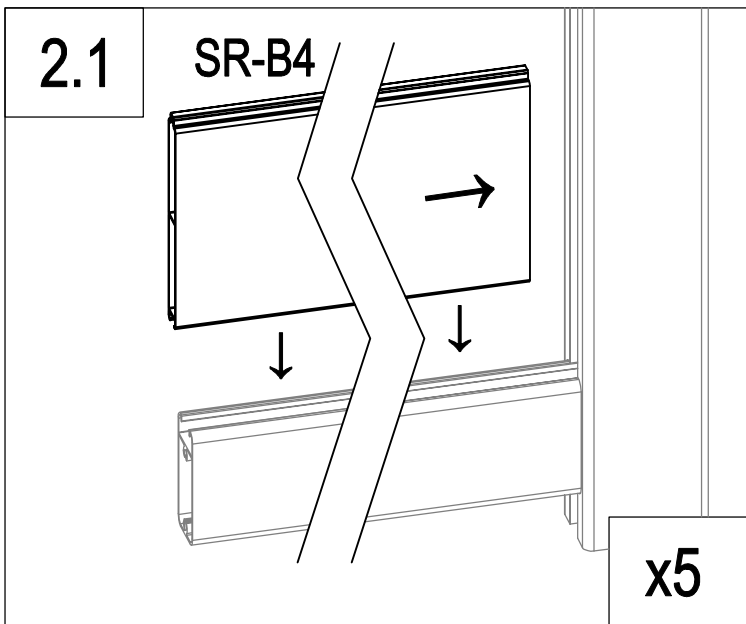
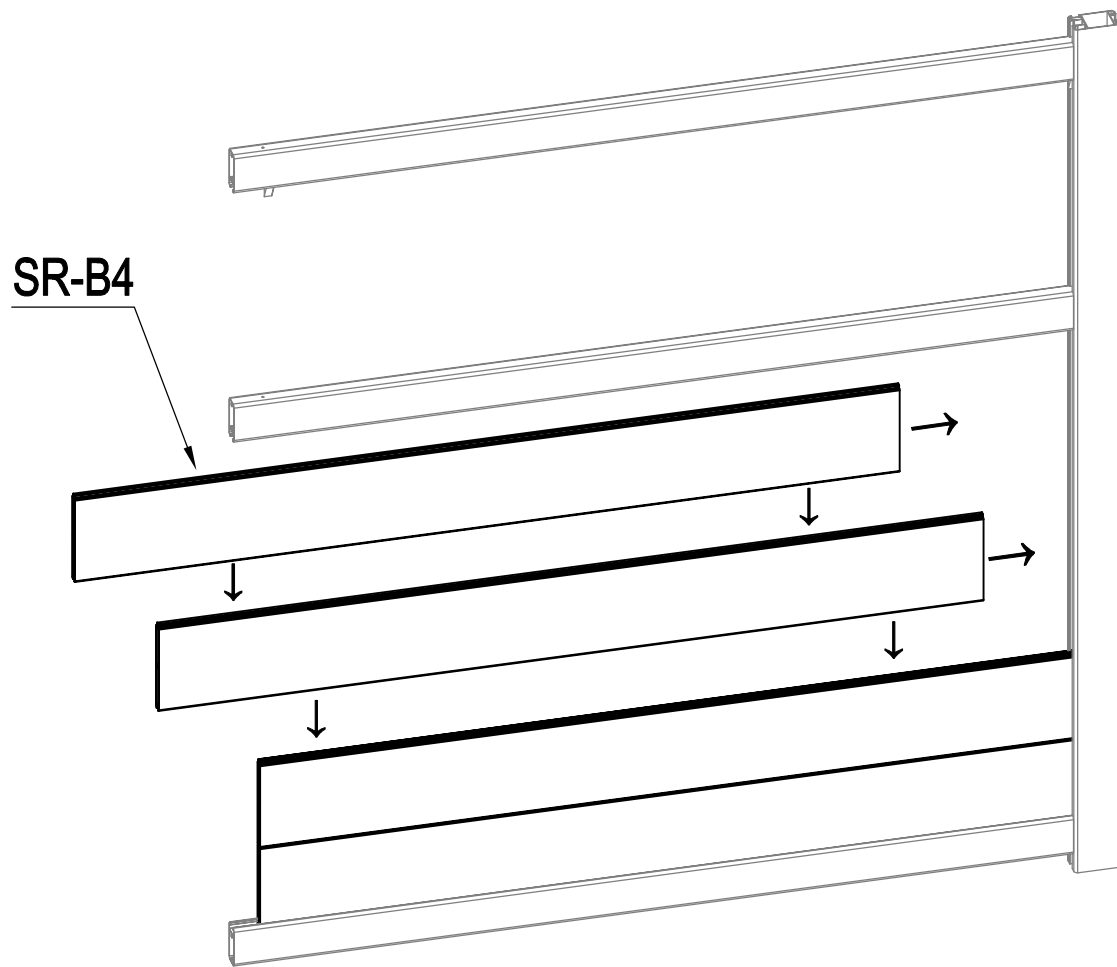
PART LIST

IMAGE	NO.	L.(mm)	QTY	IMAGE	NO.	L.(mm)	QTY
	SR-A1	1573	2		SR-15		6
	SR-A1a	1573	1		Dr-15		2
	SR-A2	1573	1		Dr-16		1
	SR-B3	1471	4		Dr-17		2
	SR-B3a	1471	2		Dr-31		4
	SR-B4	1380	10		Dr-18		1
	SR-B4a (+SR-B15)	1380	2		Dr-19		1
	SR-B6	1380	8		Dr-20		1
	AT-A5	1573	2		Dr-21		1
	AT-B5a	550.5	1		Dr-22		1
	SR-A5a	782	1		Dr-23		1
	Dr-A5c	19.5	1		Dr-24		8
	AT-A11	1573	4		Dr-25		1
	AT-7	29.5	8		Dr-25a		2
	SR-A7	1553	1		Dr-26		3
	AT-8		2		Dr-27		2
	AT-9		2		SR-C30		8
	AT-10		4		SR-C31		16
	Dr-11		2		SR-C32		12
	Dr-12		2		SR-C33		24
	Dr-13		1		SR-C34		3
	Dr-14		1		SR-C35		3
	SR-13		4		SR-C36		64
	SR-14		6		DR-28		12



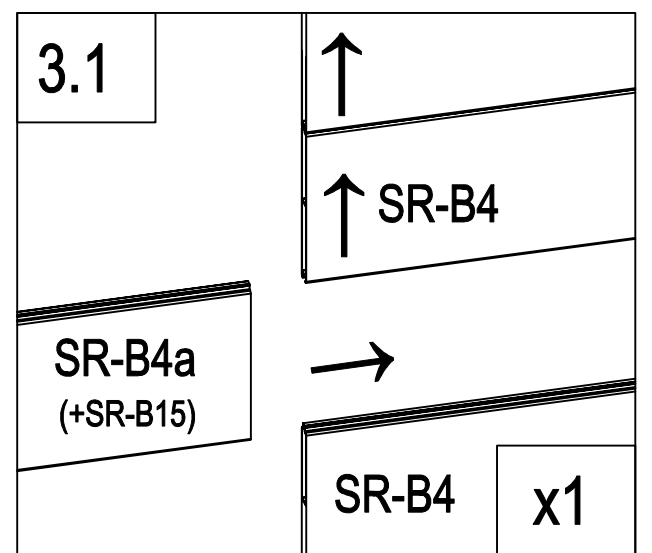
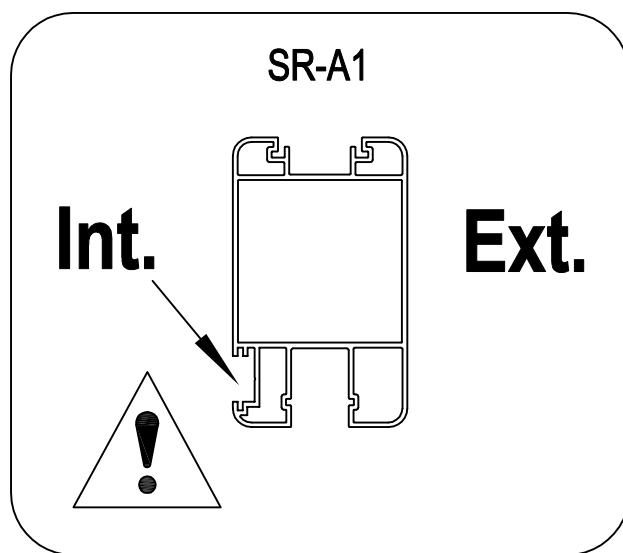
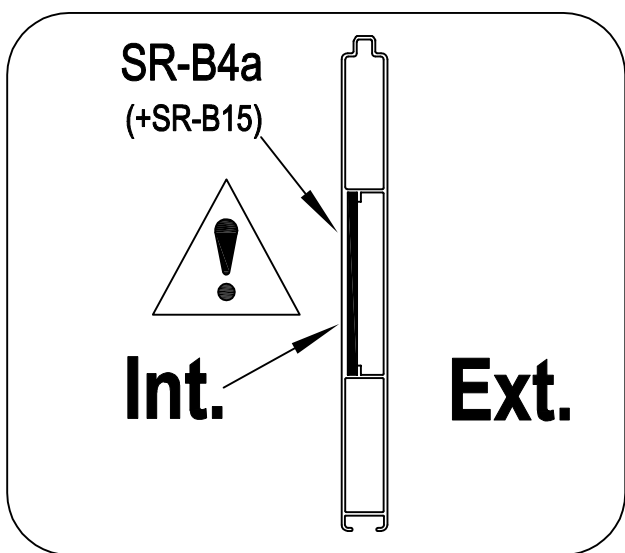
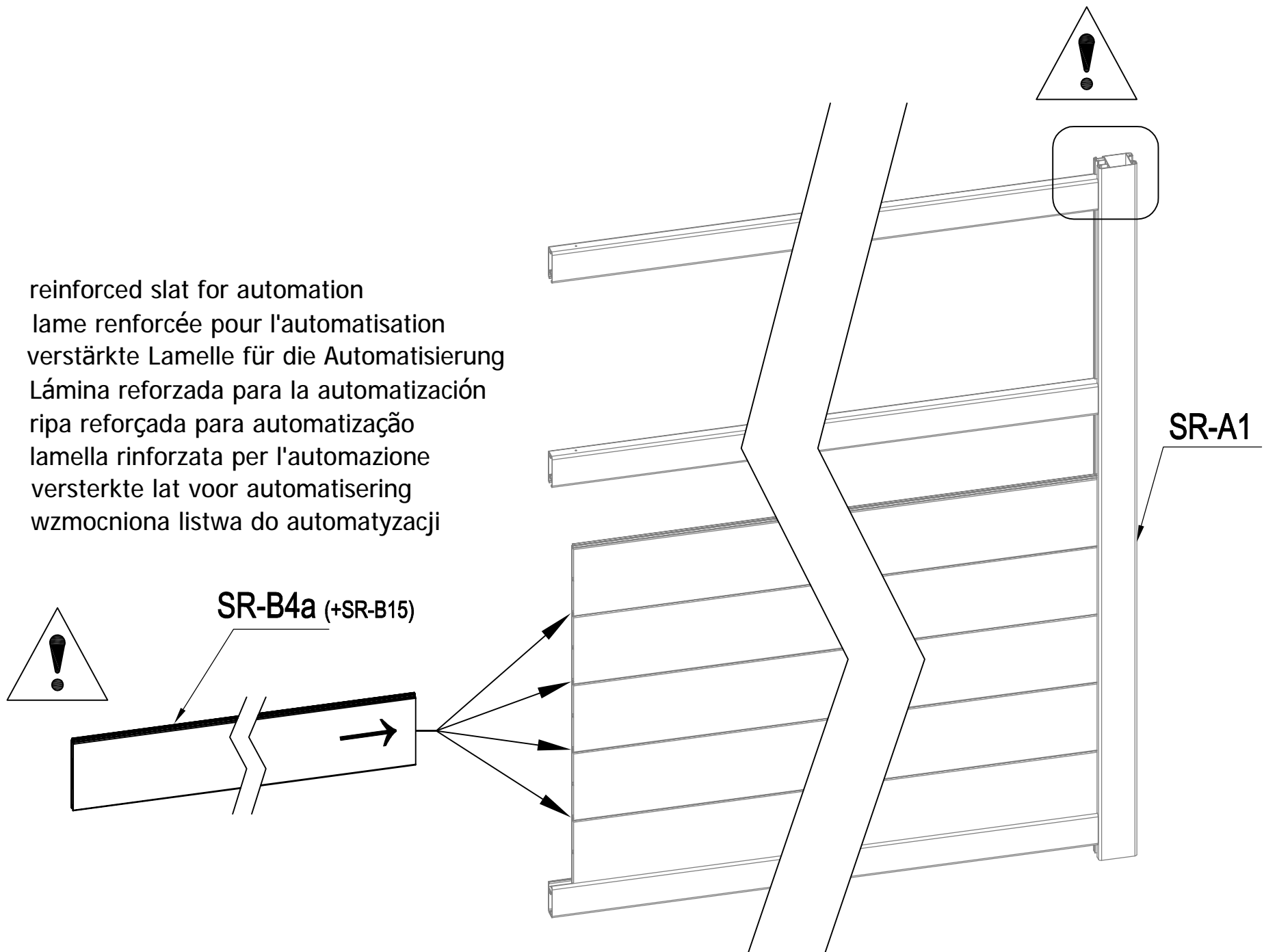
	SR-A1	1
	SR-B3	2
	SR-B3a	1
	SR-13	2


	Dr-28	3
	SR-C31	4
	SR-C33	6



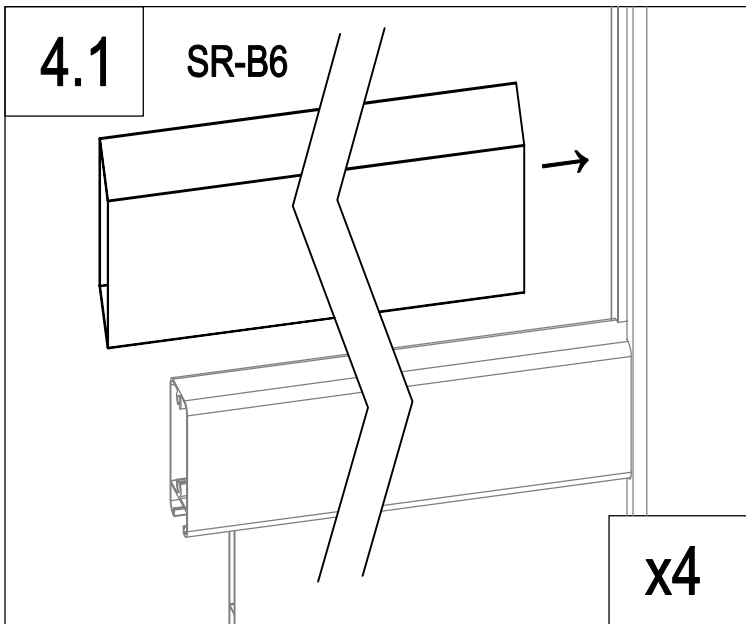
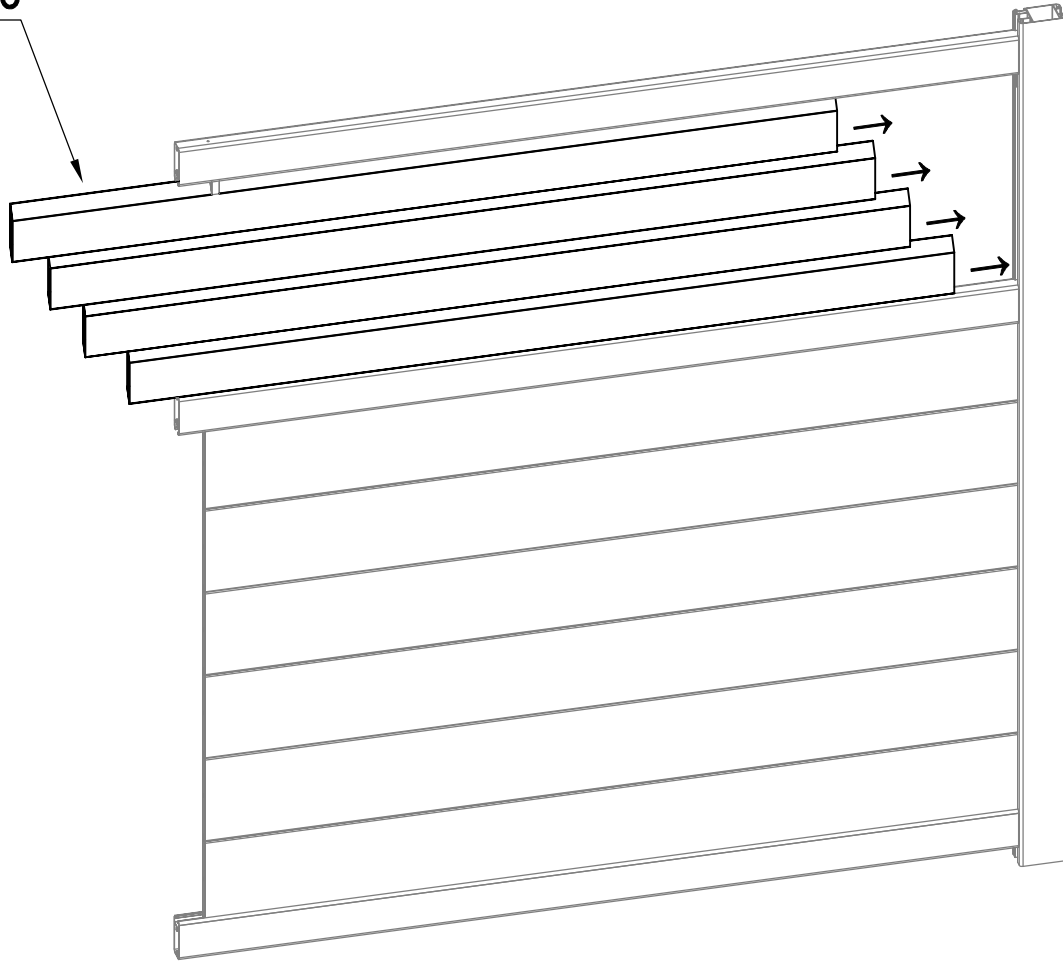
	SR-B4	5
---	-------	---

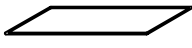
- EN: reinforced slat for automation
- FR: lame renforcée pour l'automatisation
- DE: verstärkte Lamelle für die Automatisierung
- ES: Lámina reforzada para la automatización
- PT: ripa reforçada para automatização
- IT: lamella rinforzata per l'automazione
- NL: versterkte lat voor automatisering
- PL: wzmocniona listwa do automatyzacji

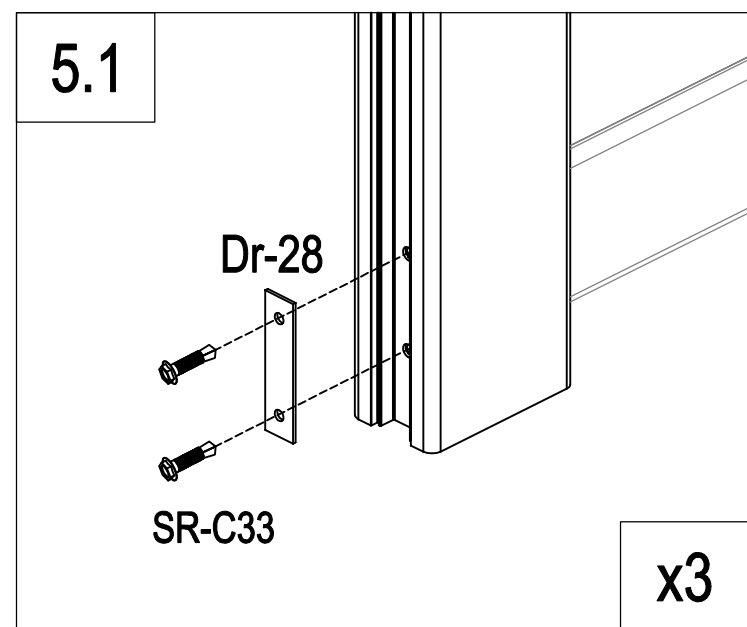
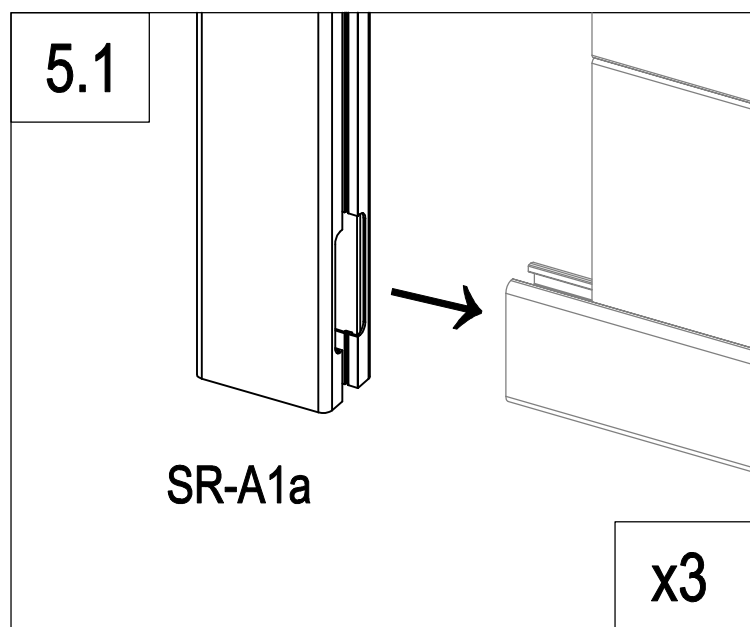
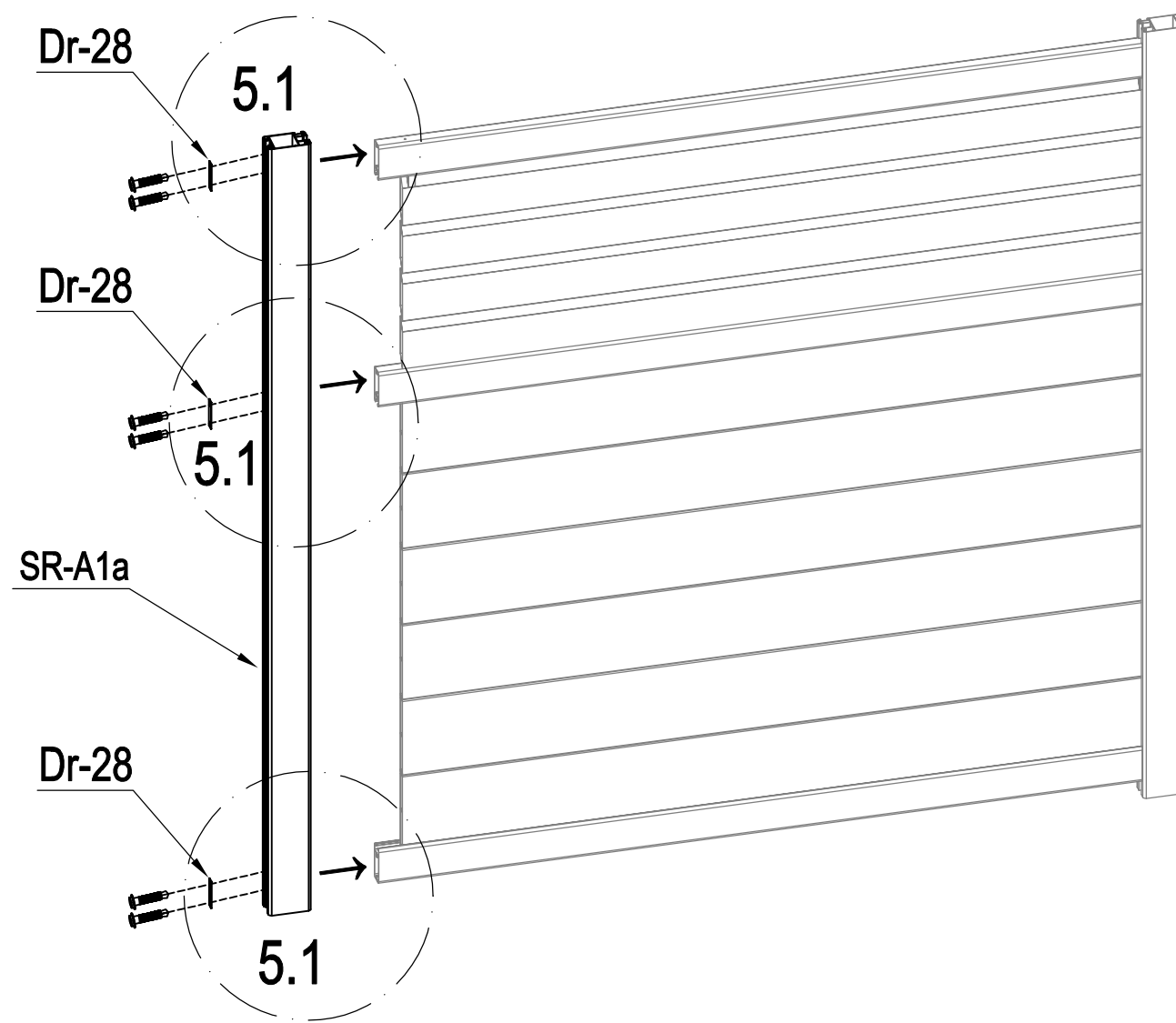


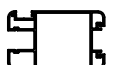


	SR-B4a (+SR-B15)	1
---	------------------	---

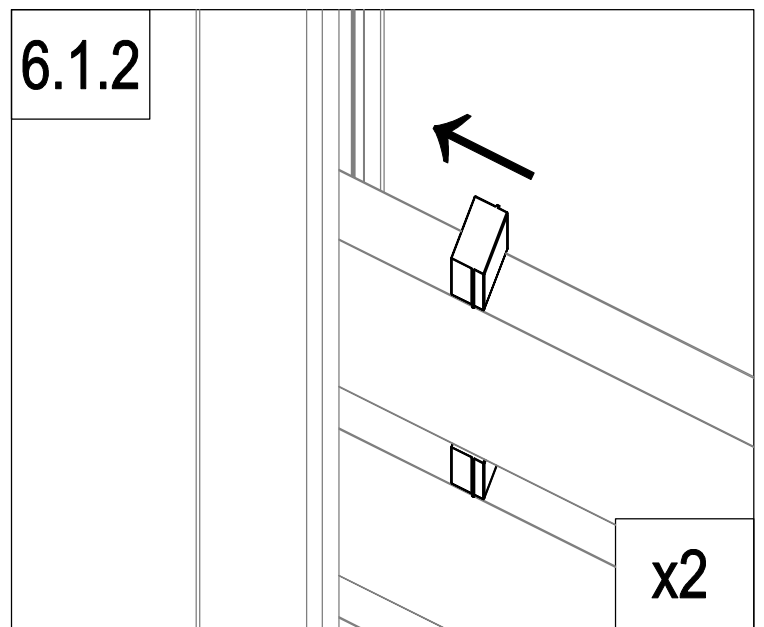
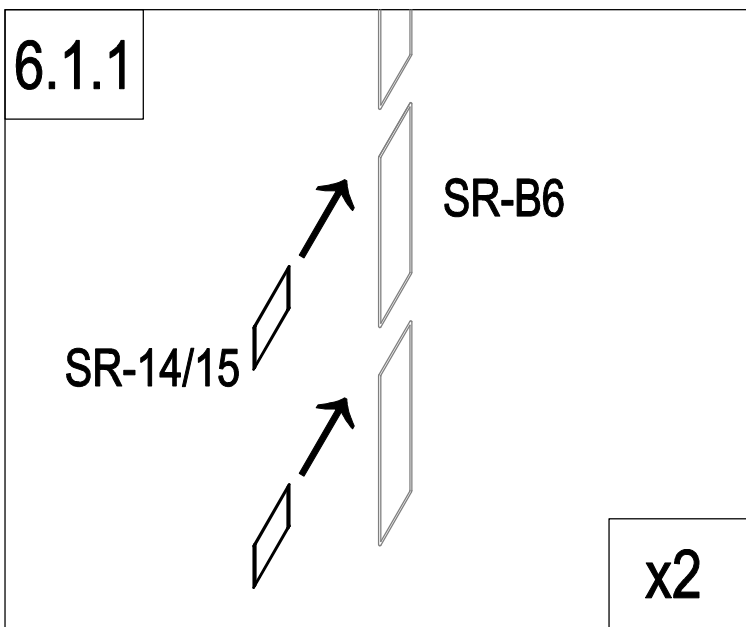
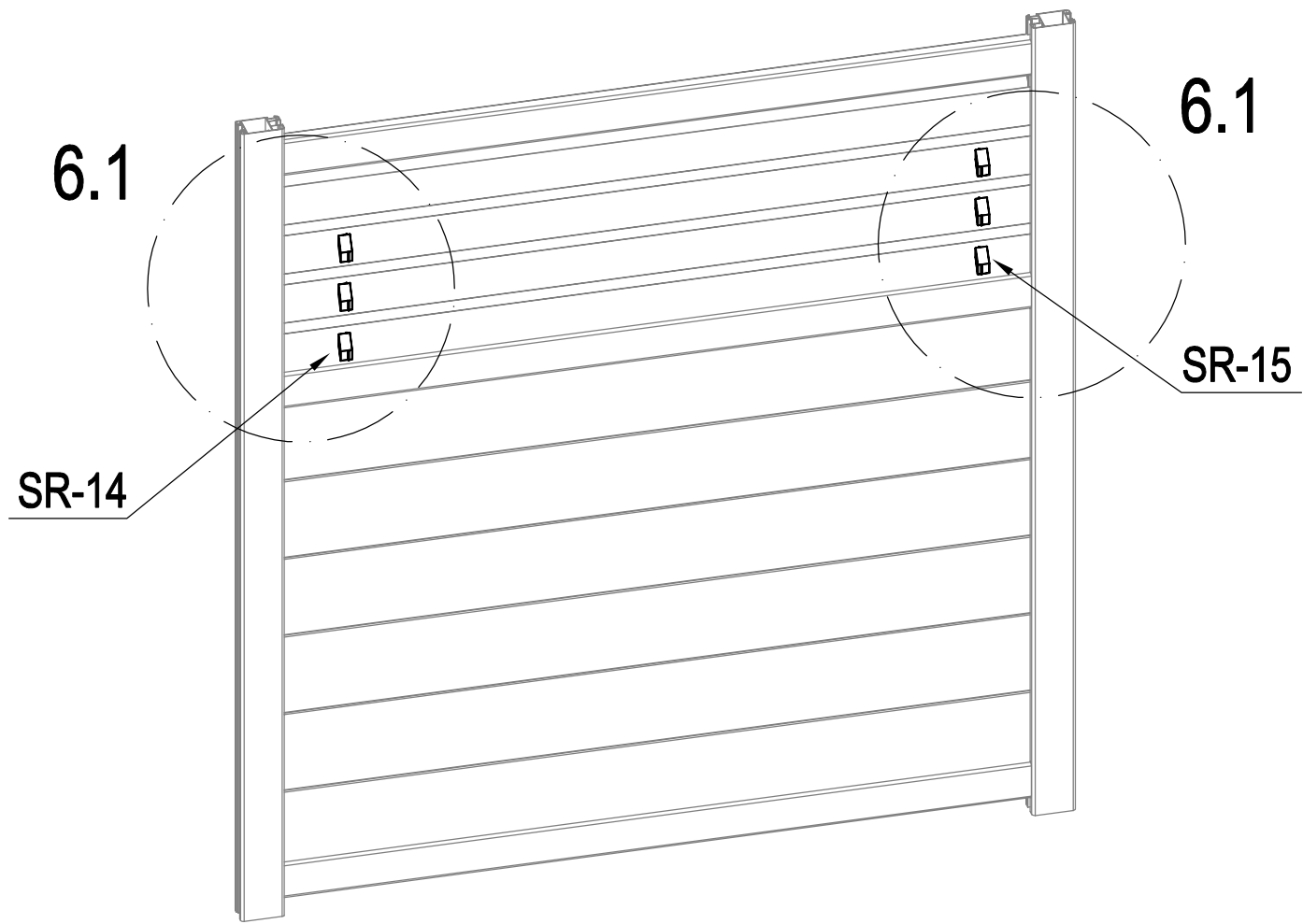
SR-B6





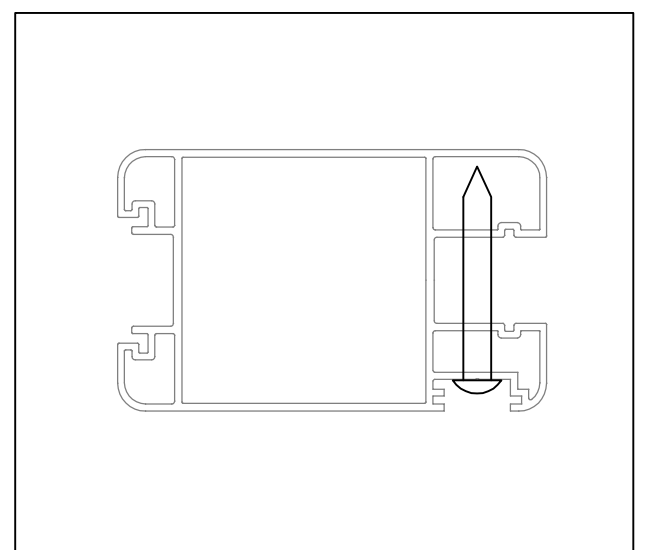
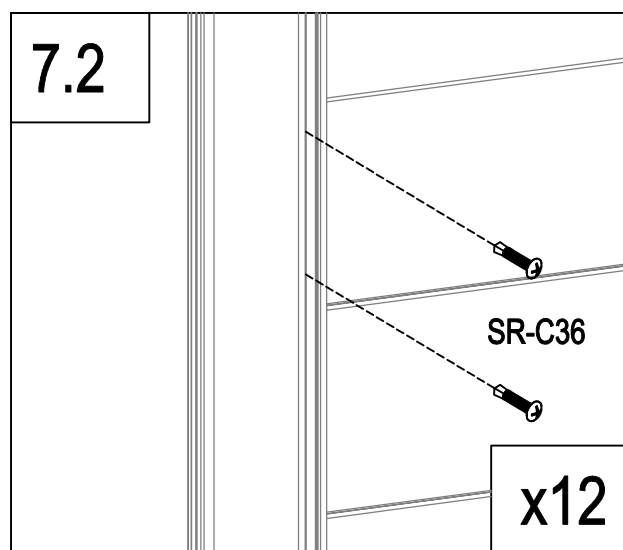
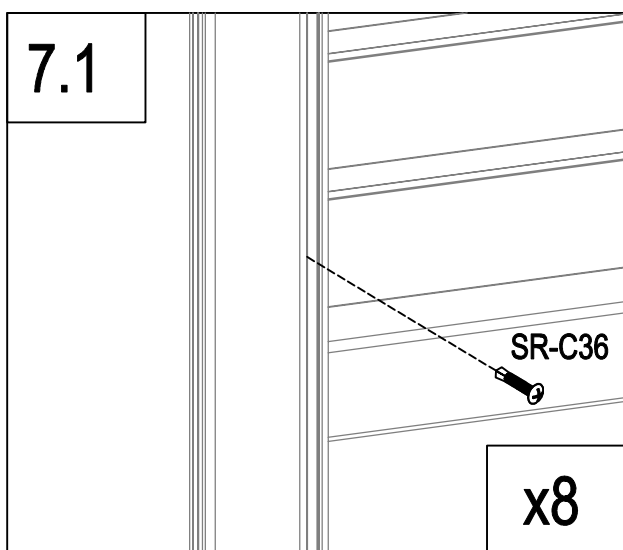
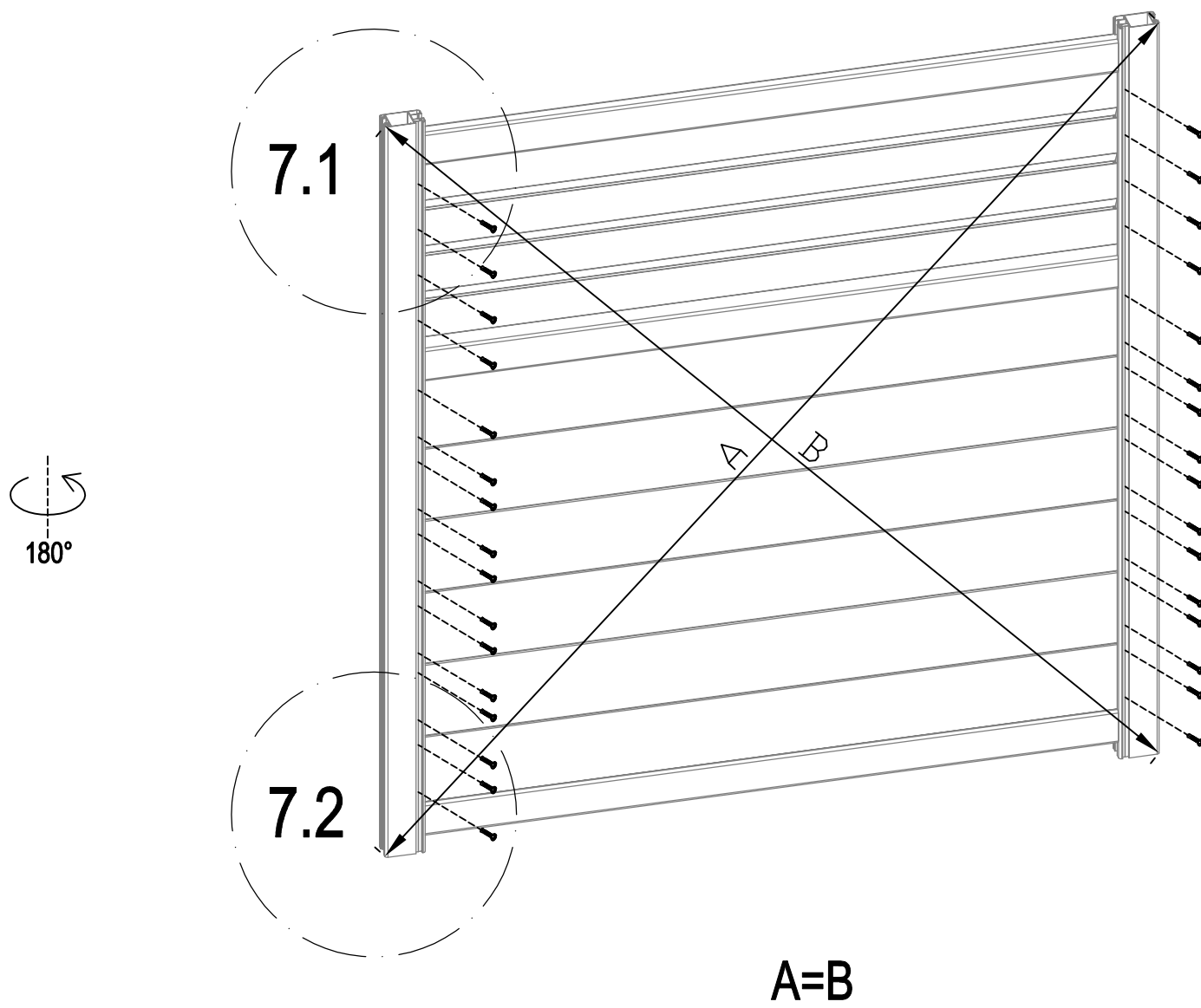
	SR-B6	4
---	-------	---




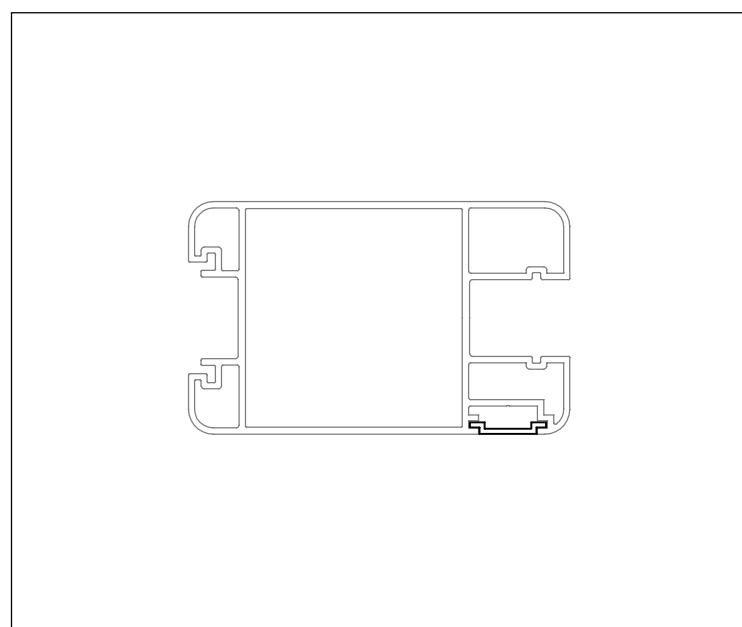
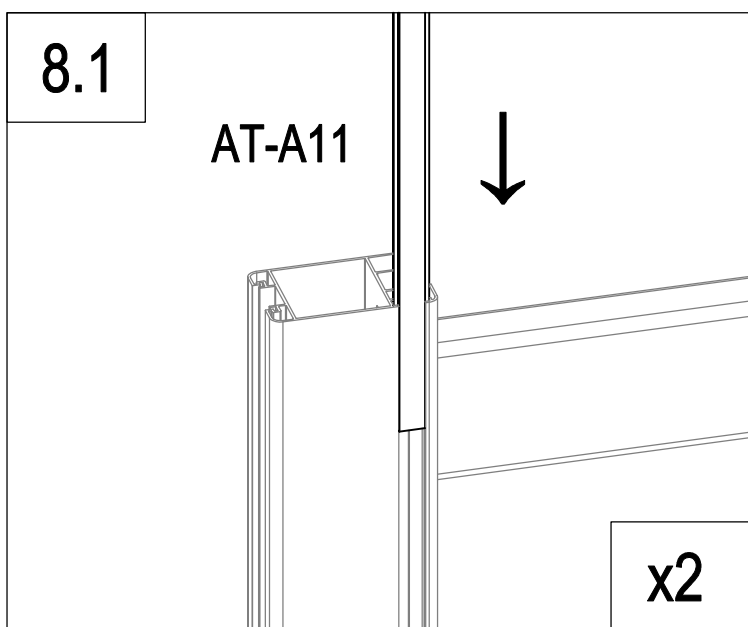
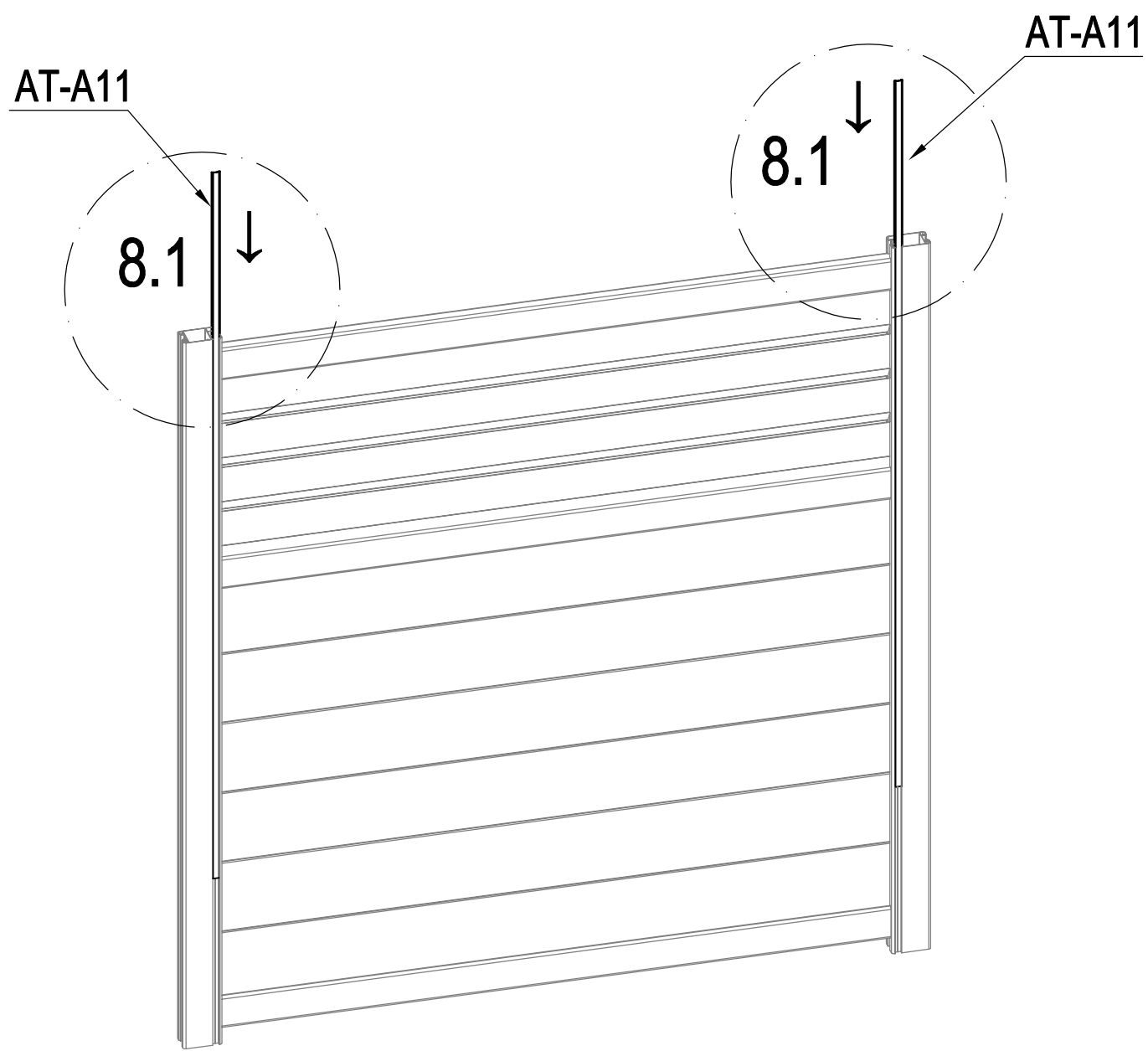
	SR-A1a	1
	Dr-28	3
	SR-C33	6



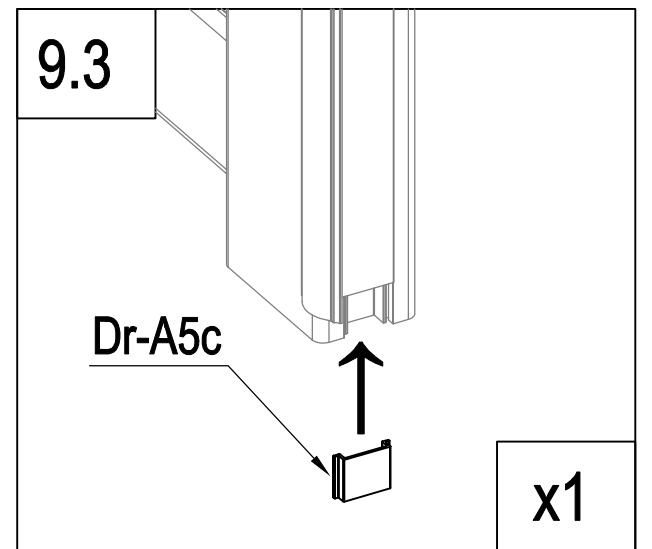
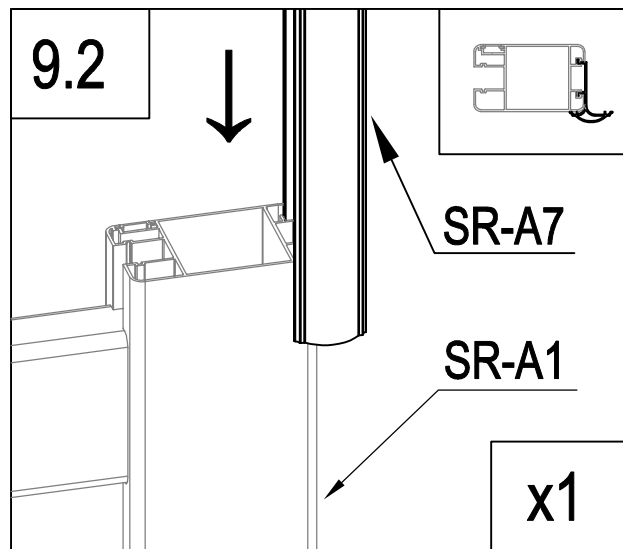
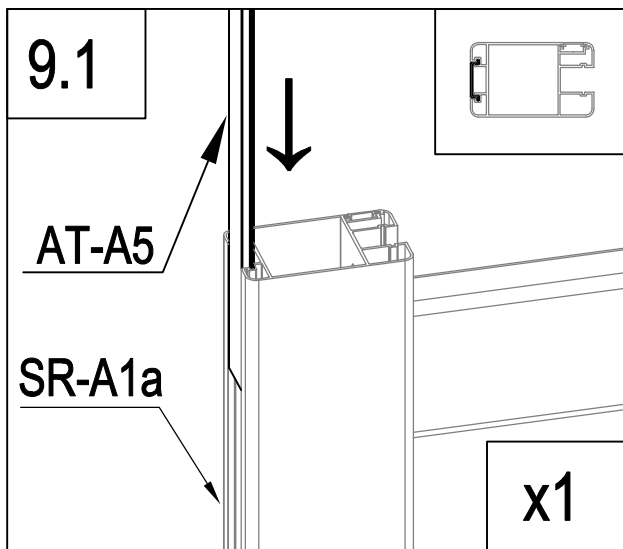
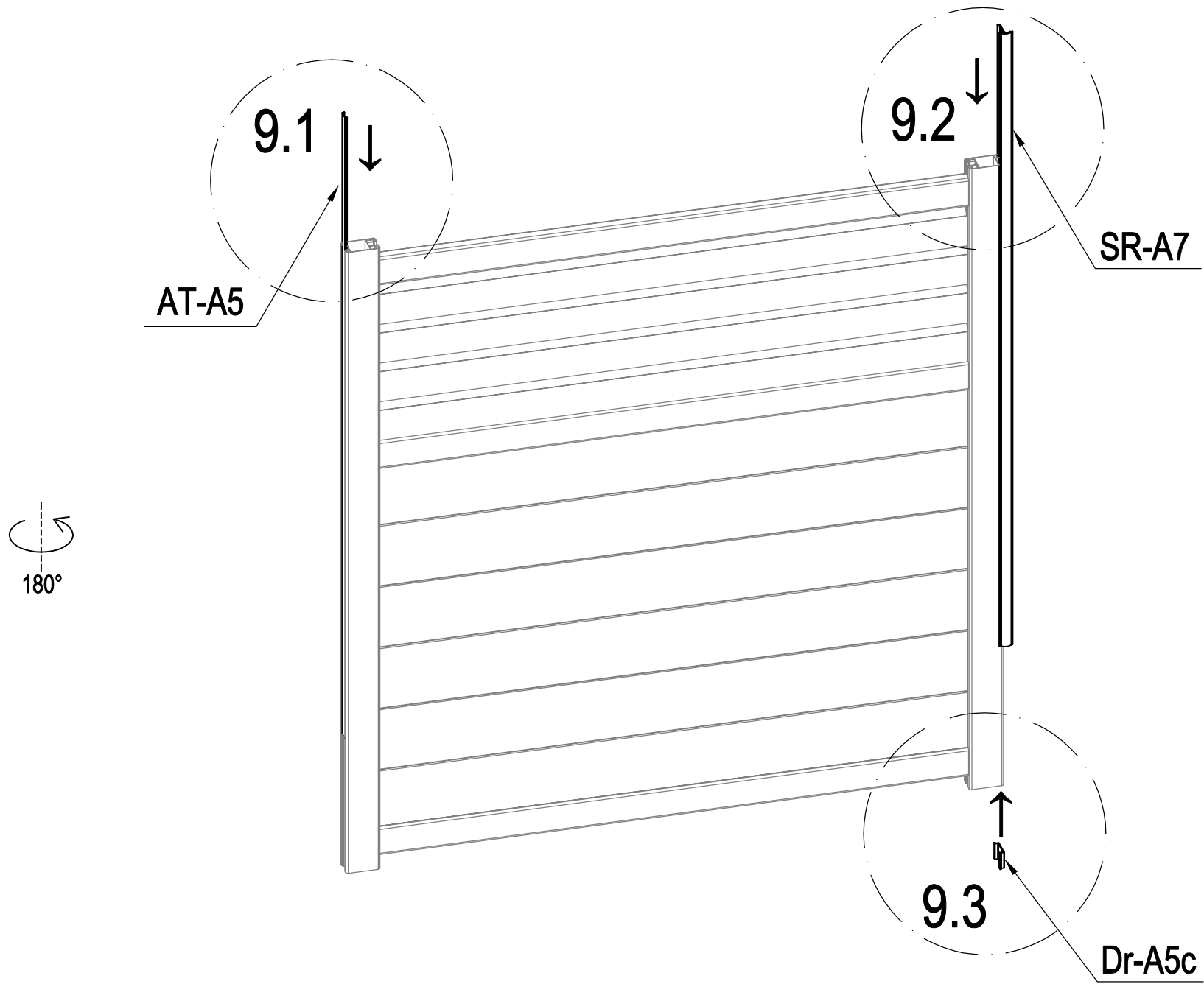
	SR-14	3
	SR-15	3

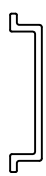
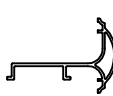


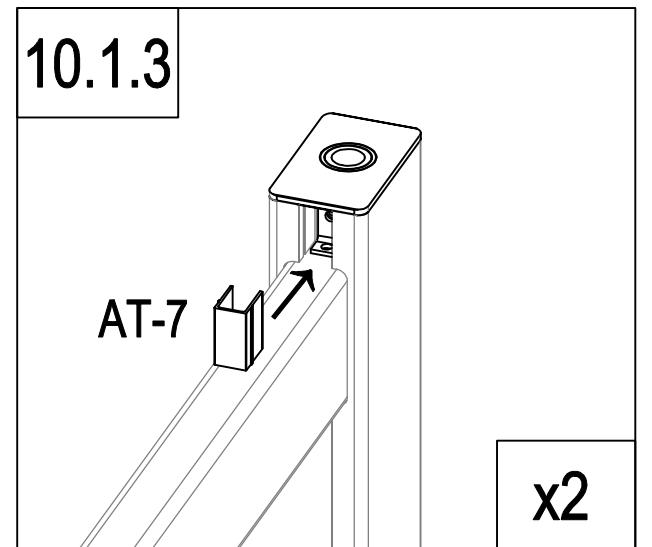
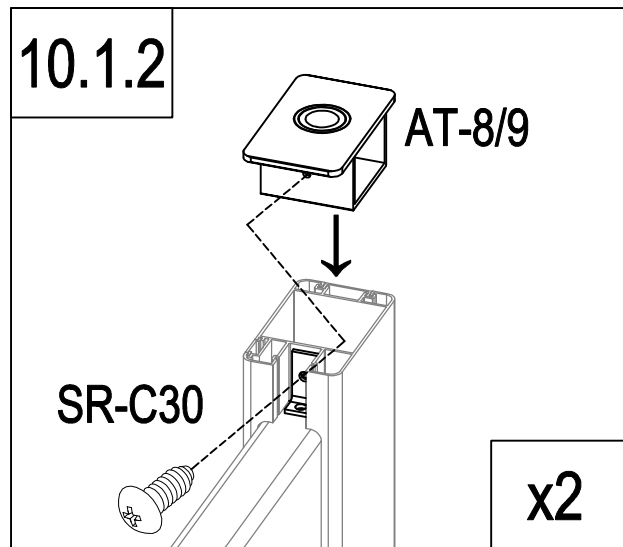
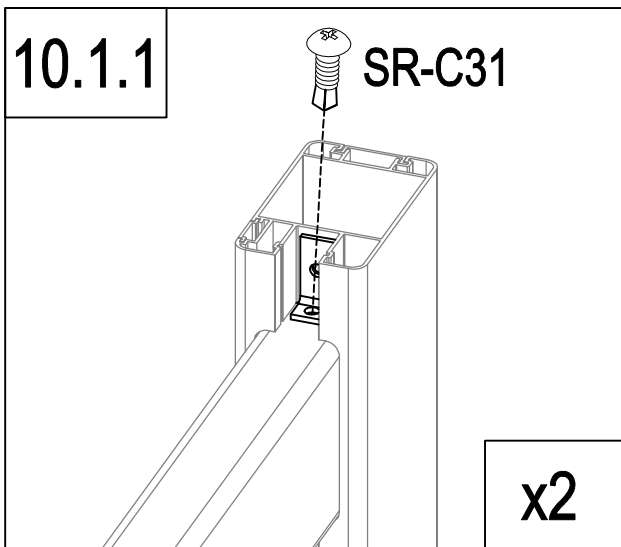
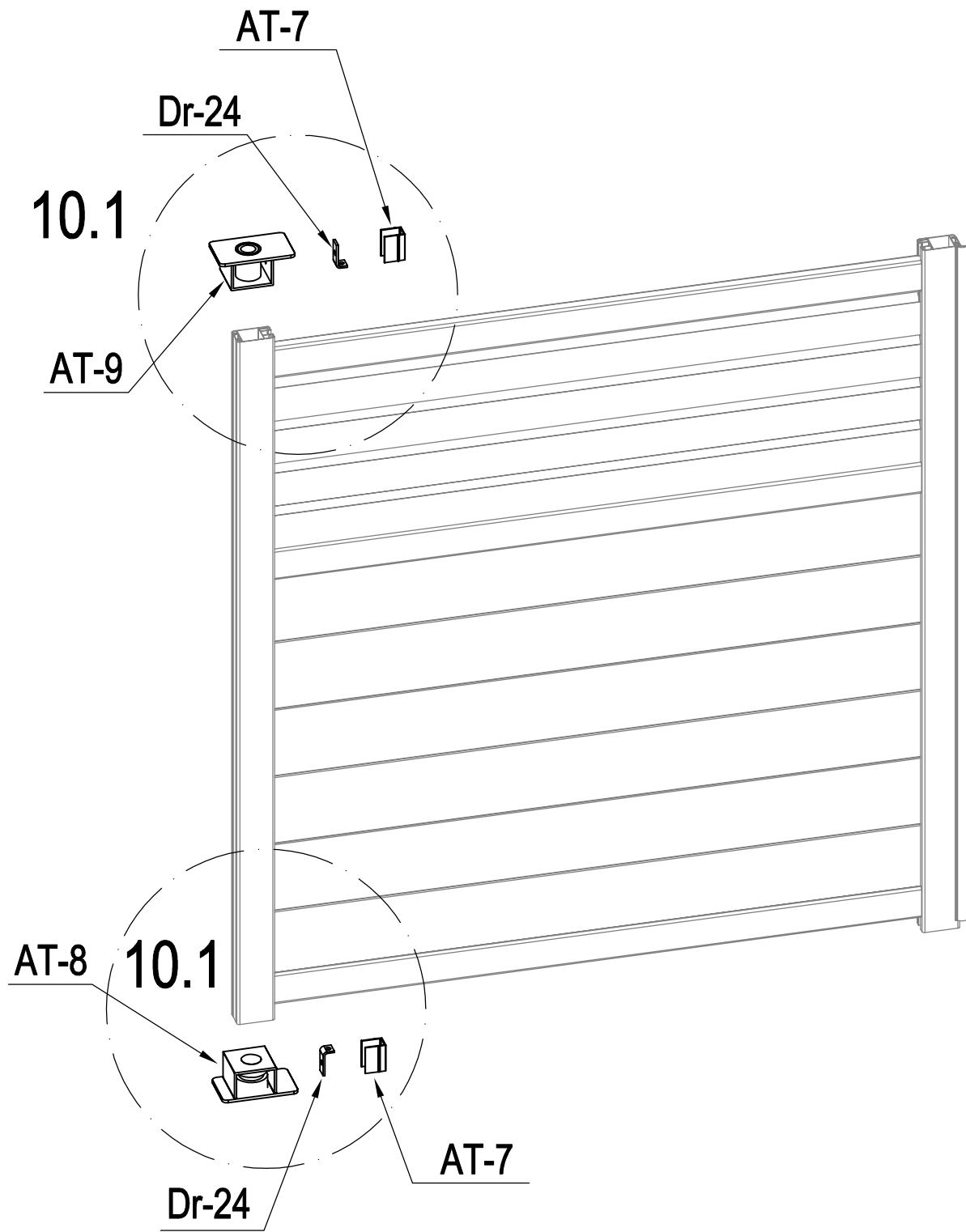
	SR-C36	32
---	--------	----



	AT-A11	2
---	--------	---

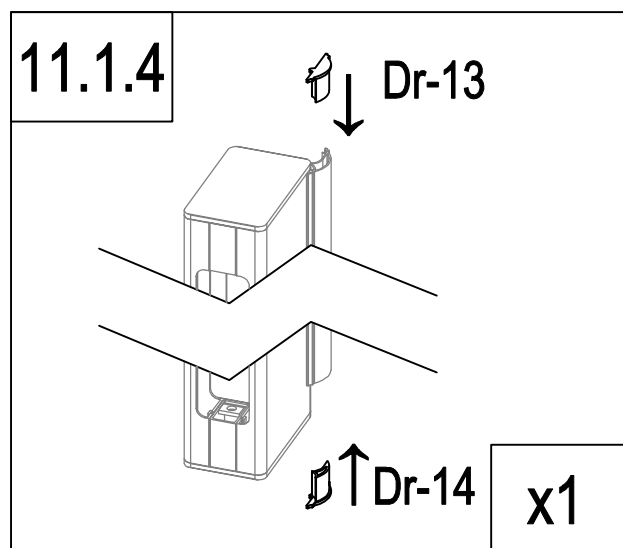
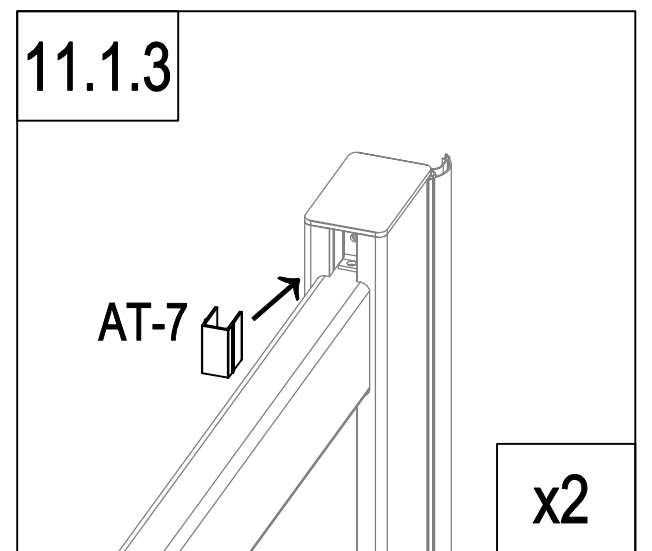
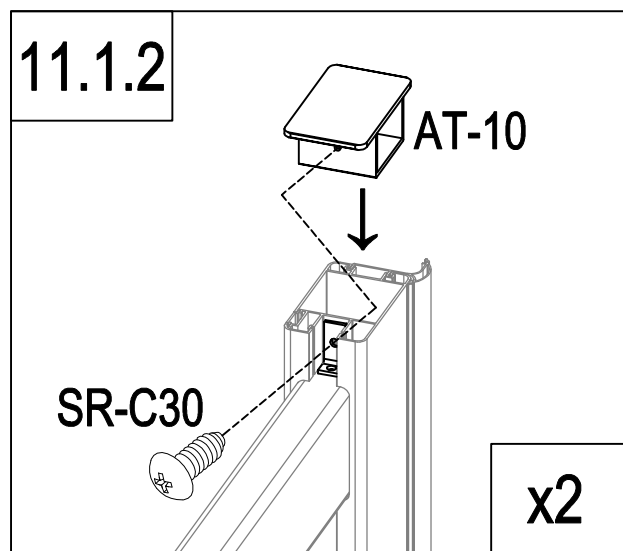
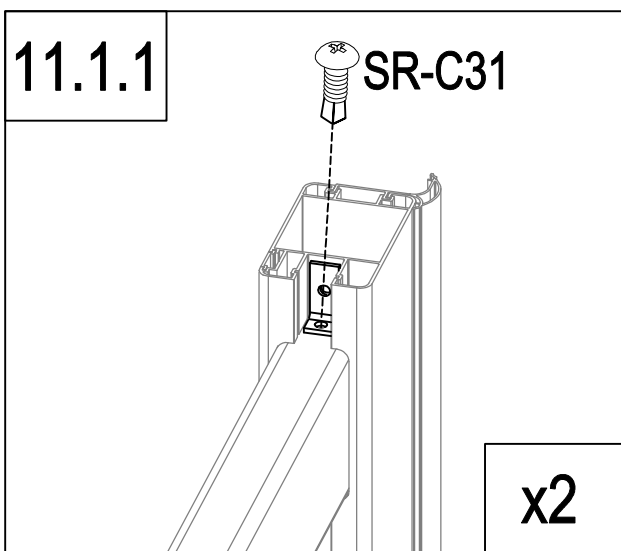
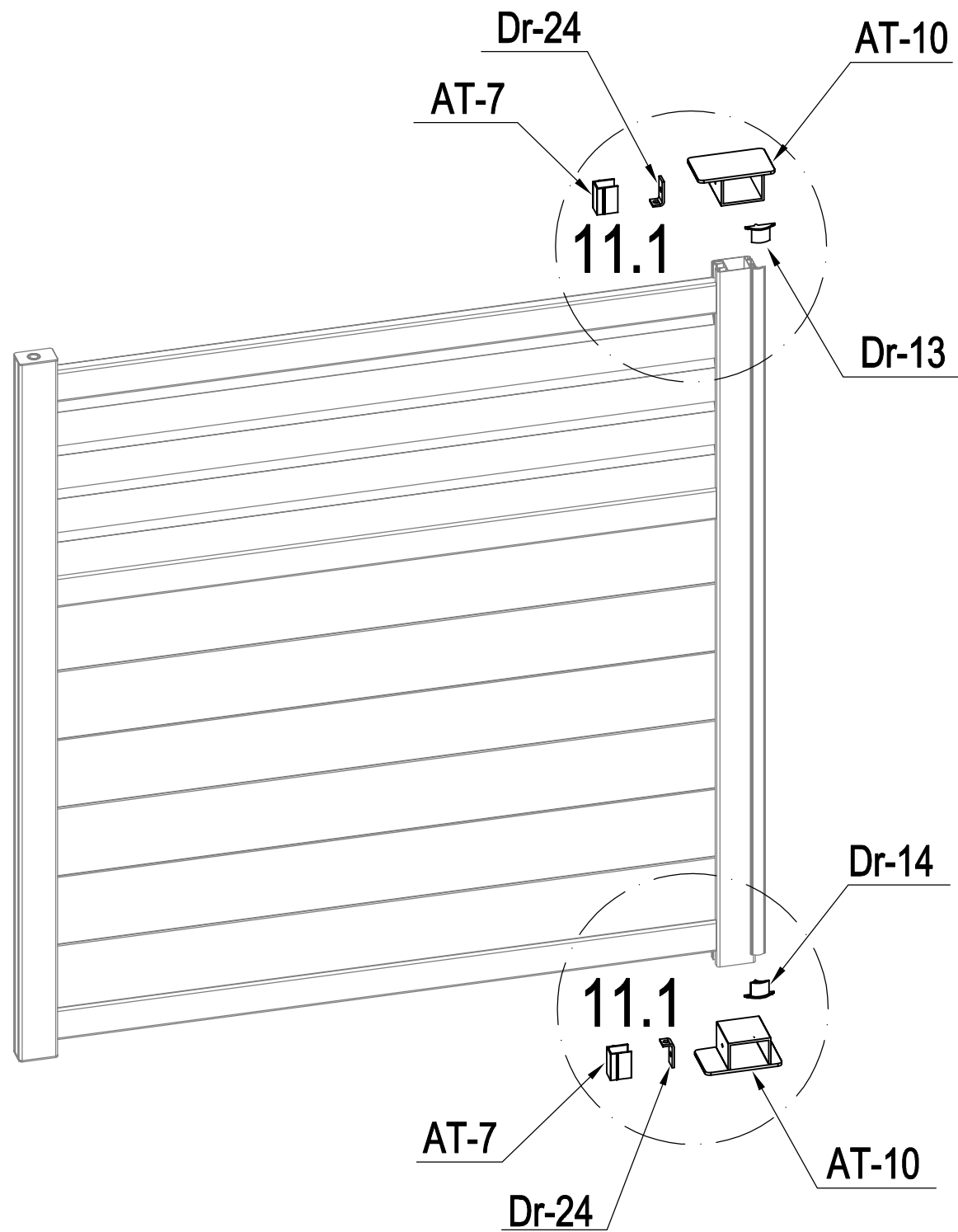


	AT-A5	1
	Dr-A5c	1
	SR-A7	1



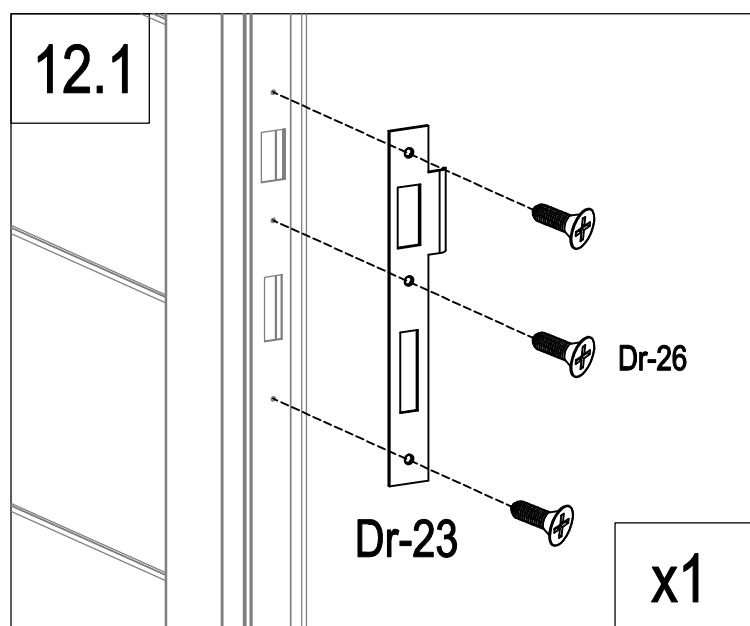
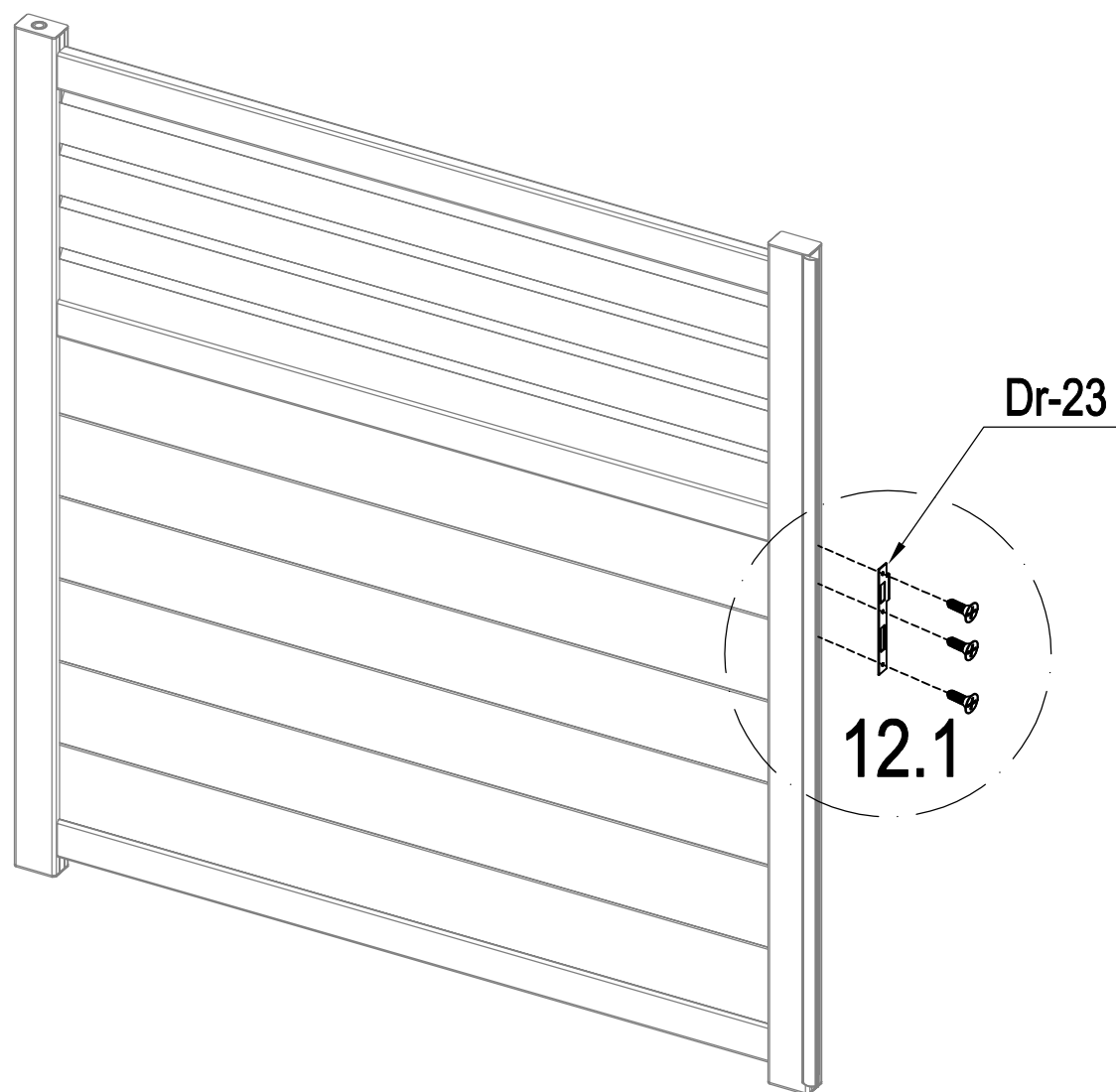
	AT-8	1
	AT-9	1
	Dr-24	2

	AT-7	2
	SR-C30	2
	SR-C31	2

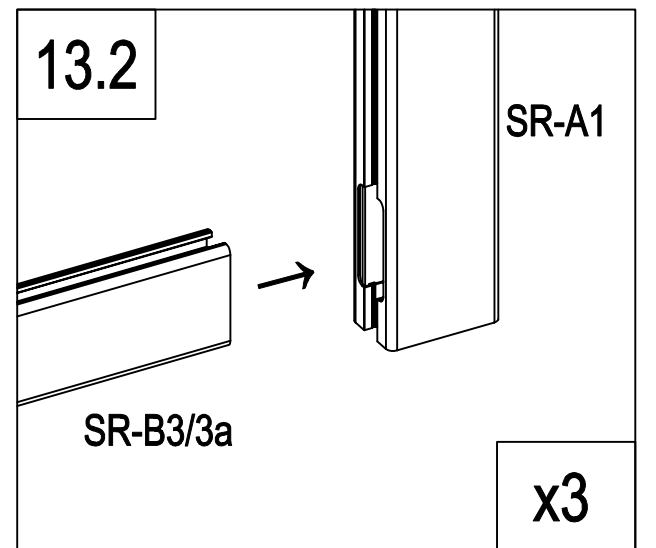
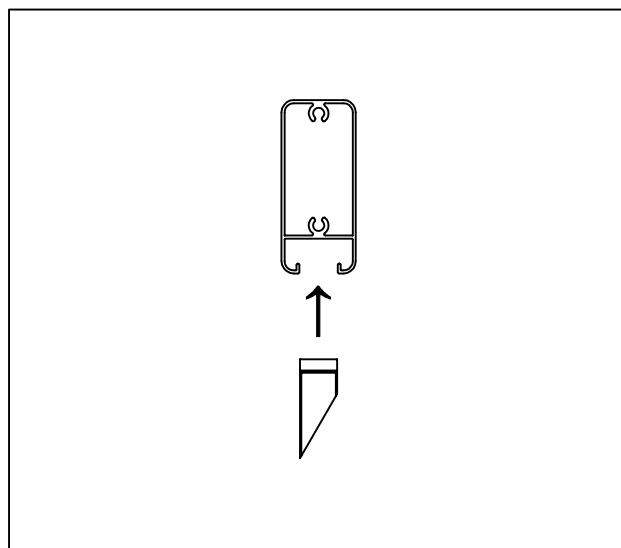
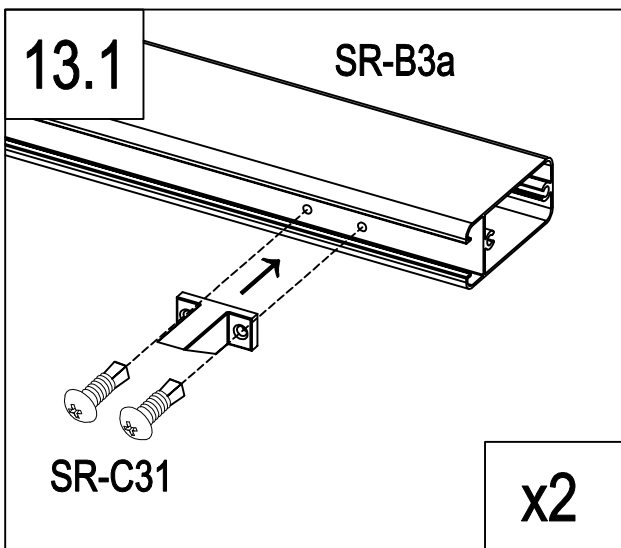
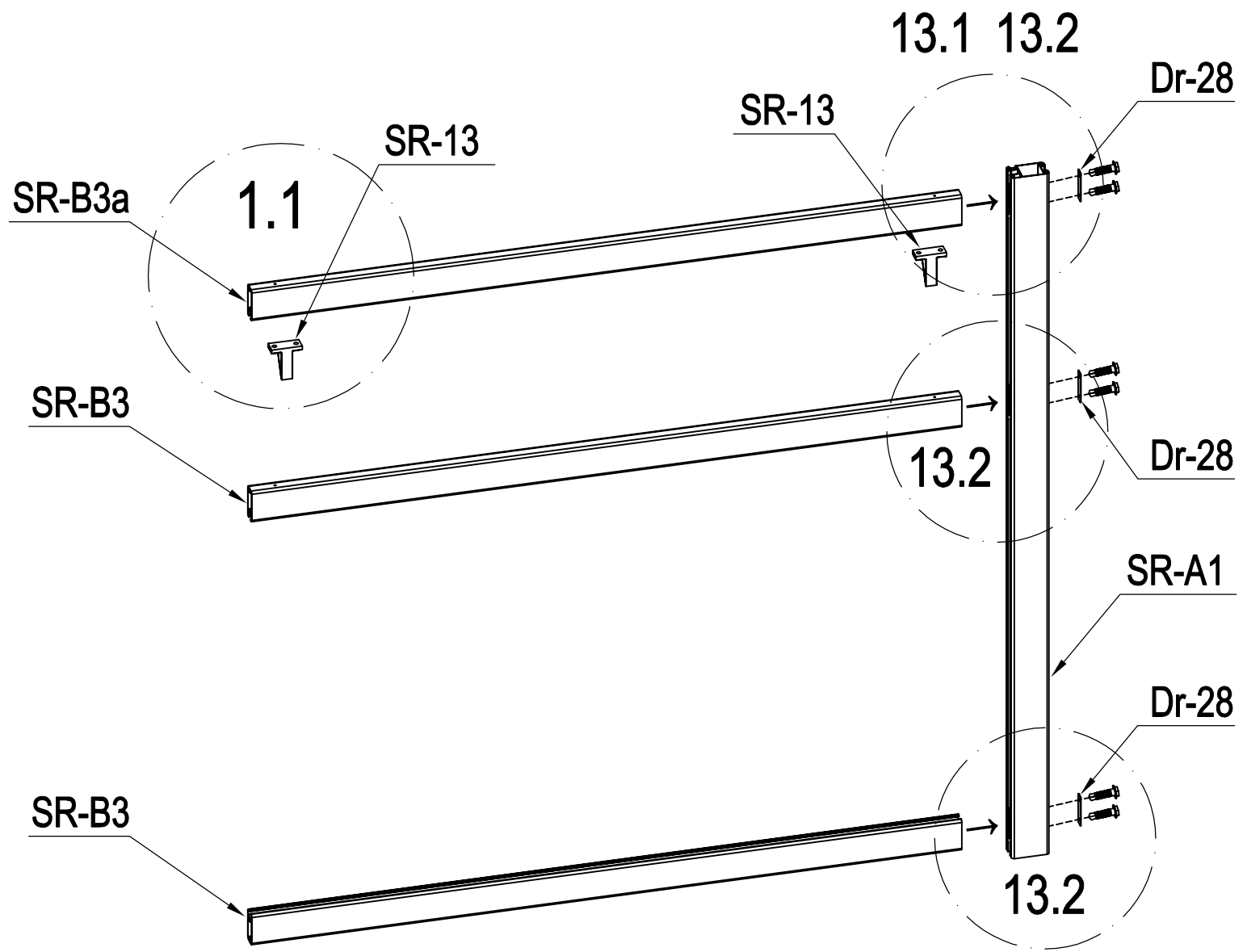


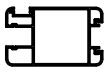
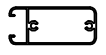

	AT-10	2
	Dr-24	2
	AT-7	2
	Dr-13	1

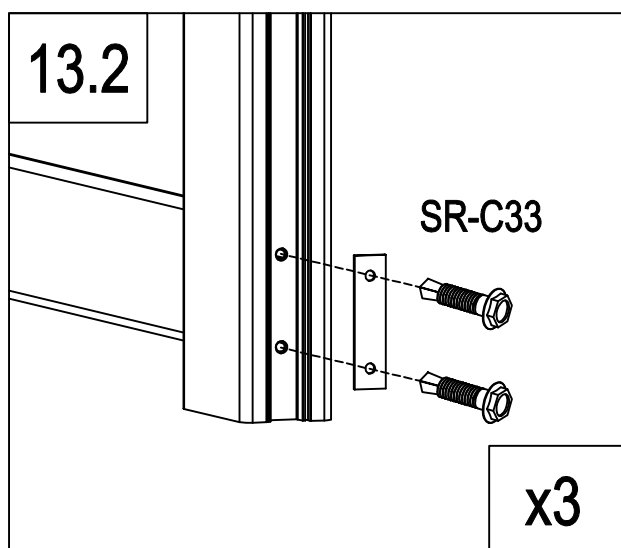
	Dr-14	1
	SR-C30	2
	SR-C31	2



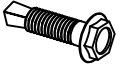


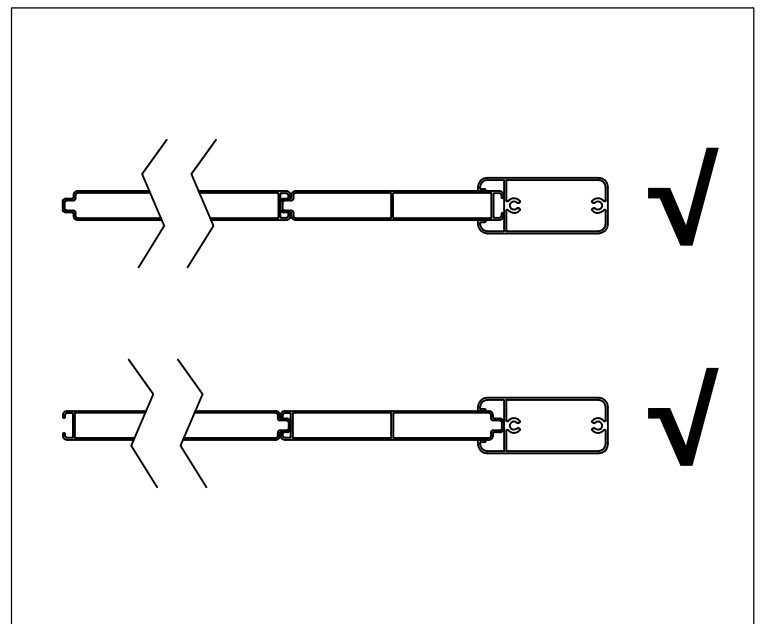
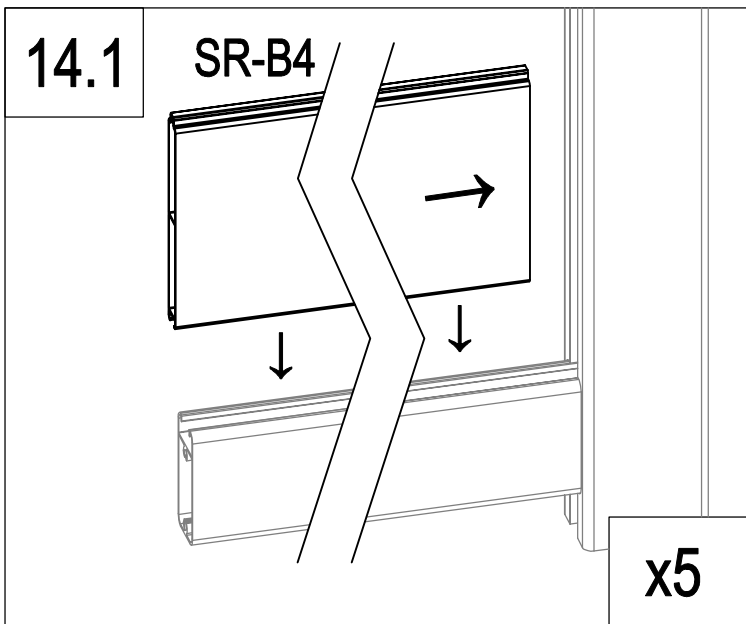
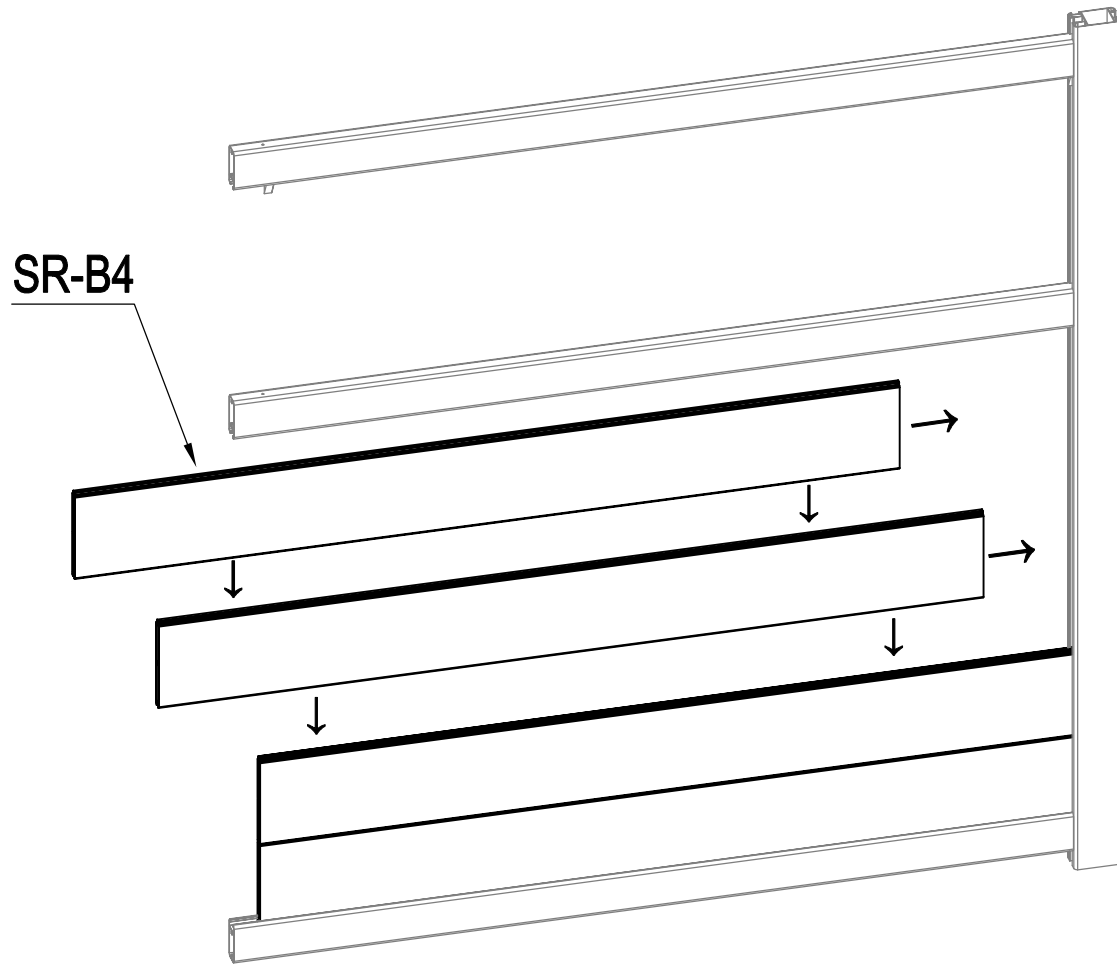
	Dr-23	1
	Dr-26	3



	SR-A1	1
	SR-B3	2
	SR-B3a	1
	SR-13	2

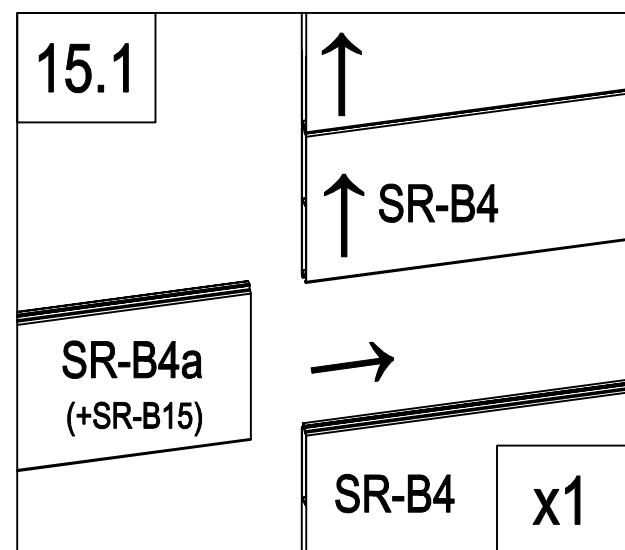
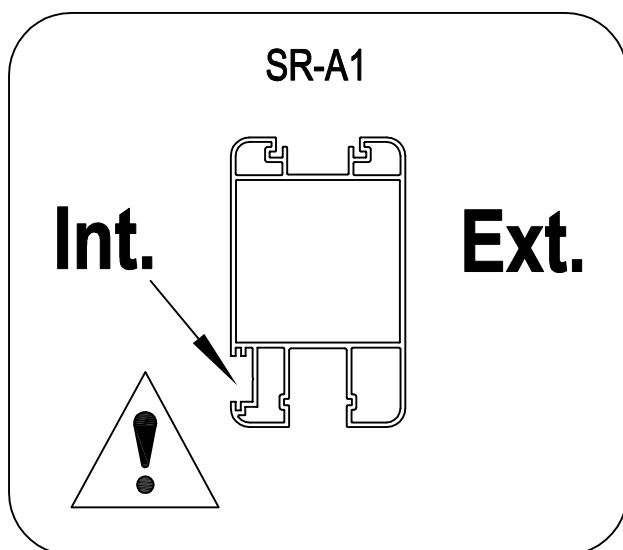
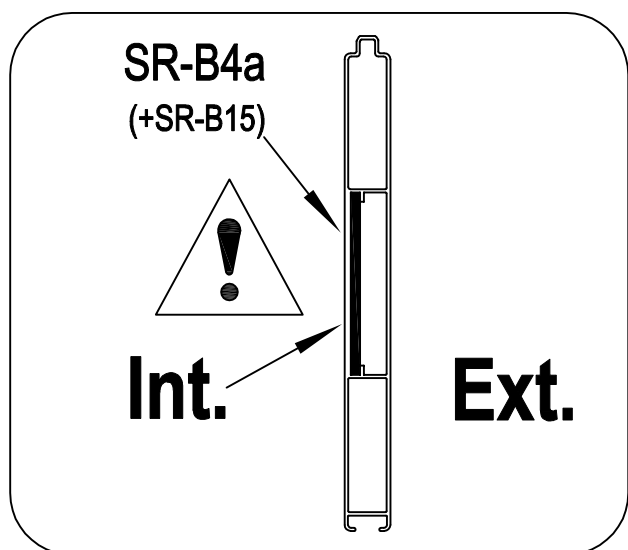
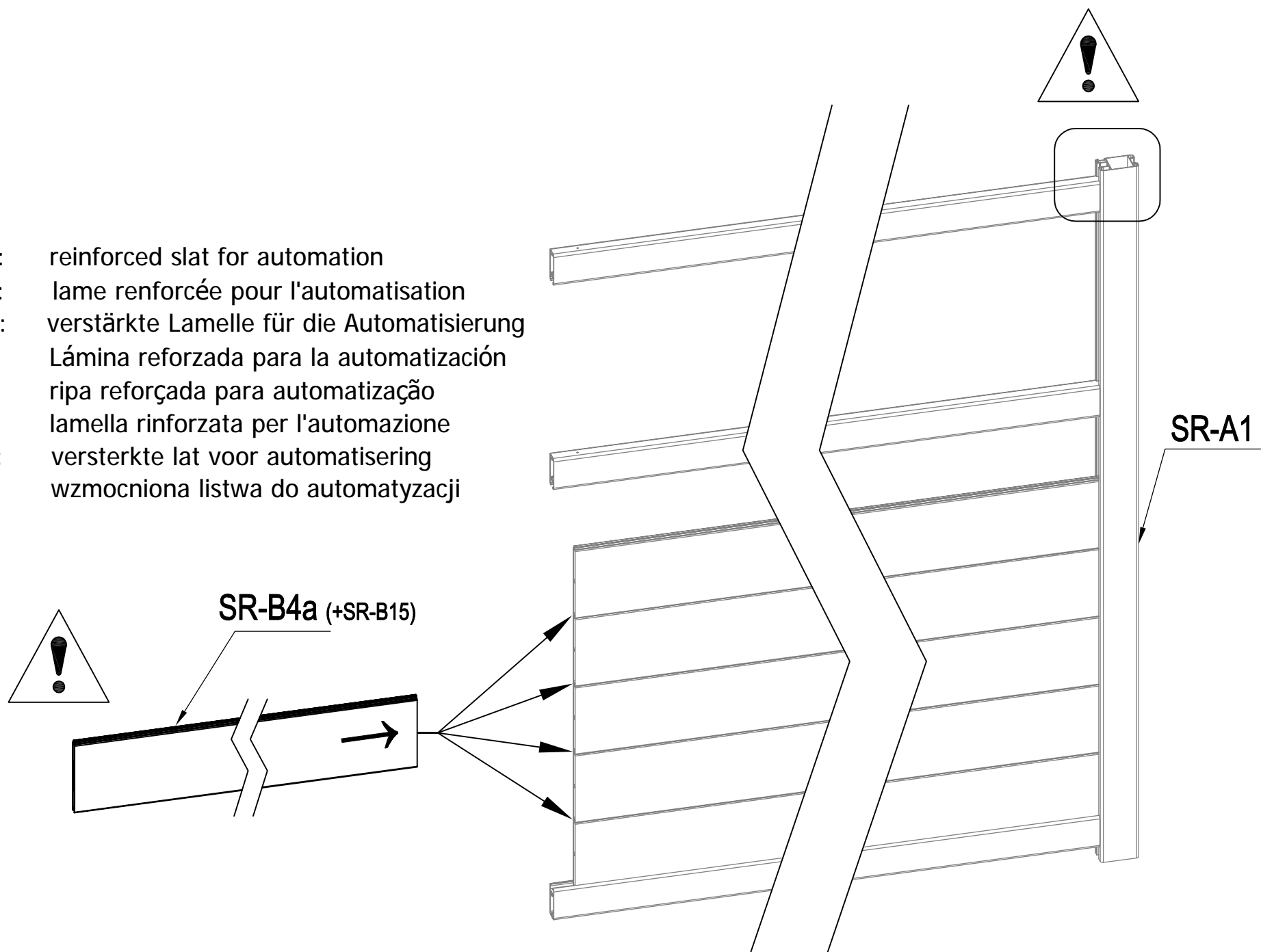



	Dr-28	3
	SR-C31	4
	SR-C33	6



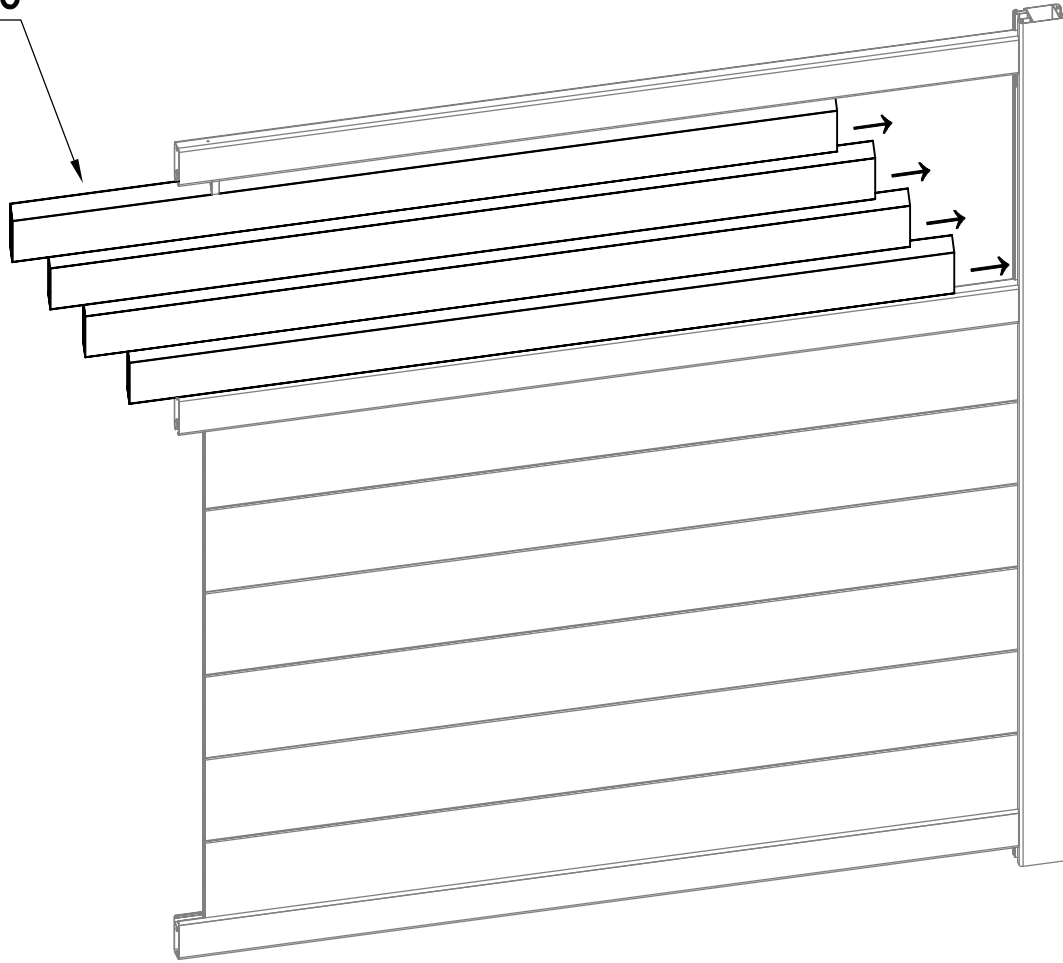
	SR-B4	5
---	-------	---

- EN: reinforced slat for automation
- FR: lame renforcée pour l'automatisation
- DE: verstärkte Lamelle für die Automatisierung
- ES: Lámina reforzada para la automatización
- PT: ripa reforçada para automatização
- IT: lamella rinforzata per l'automazione
- NL: versterkte lat voor automatisering
- PL: wzmocniona listwa do automatyzacji



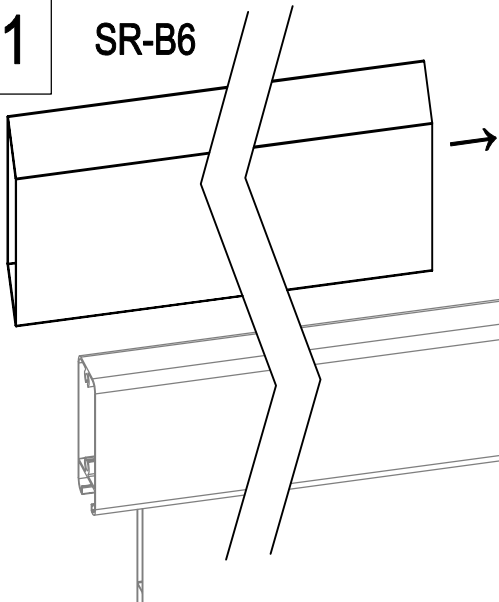
	SR-B4a (+SR-B15)	1
---	------------------	---

SR-B6

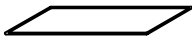


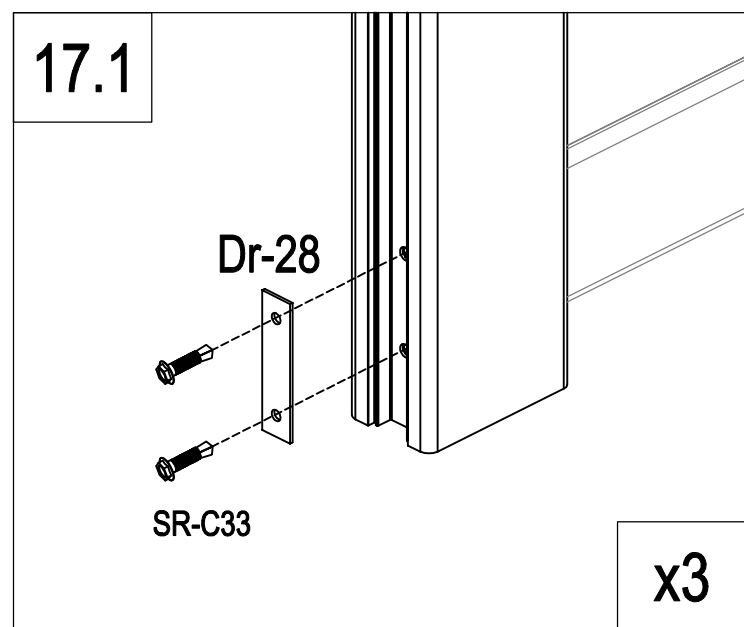
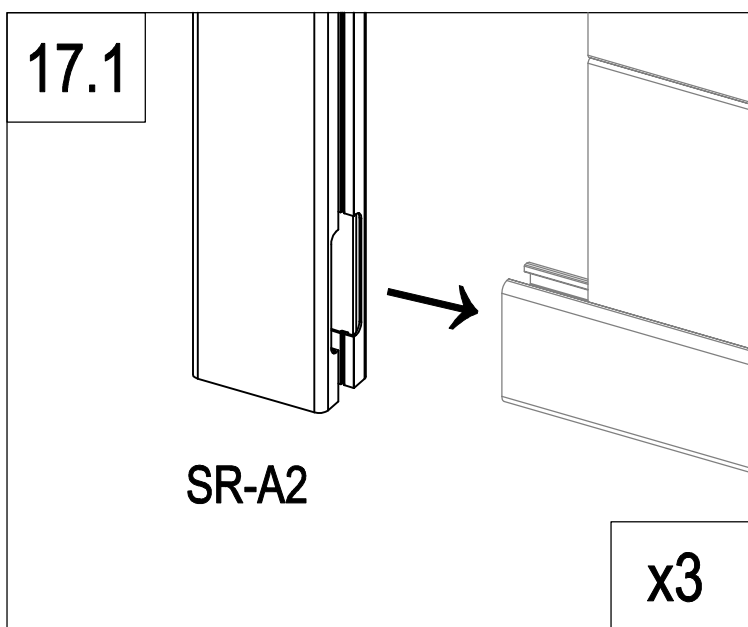
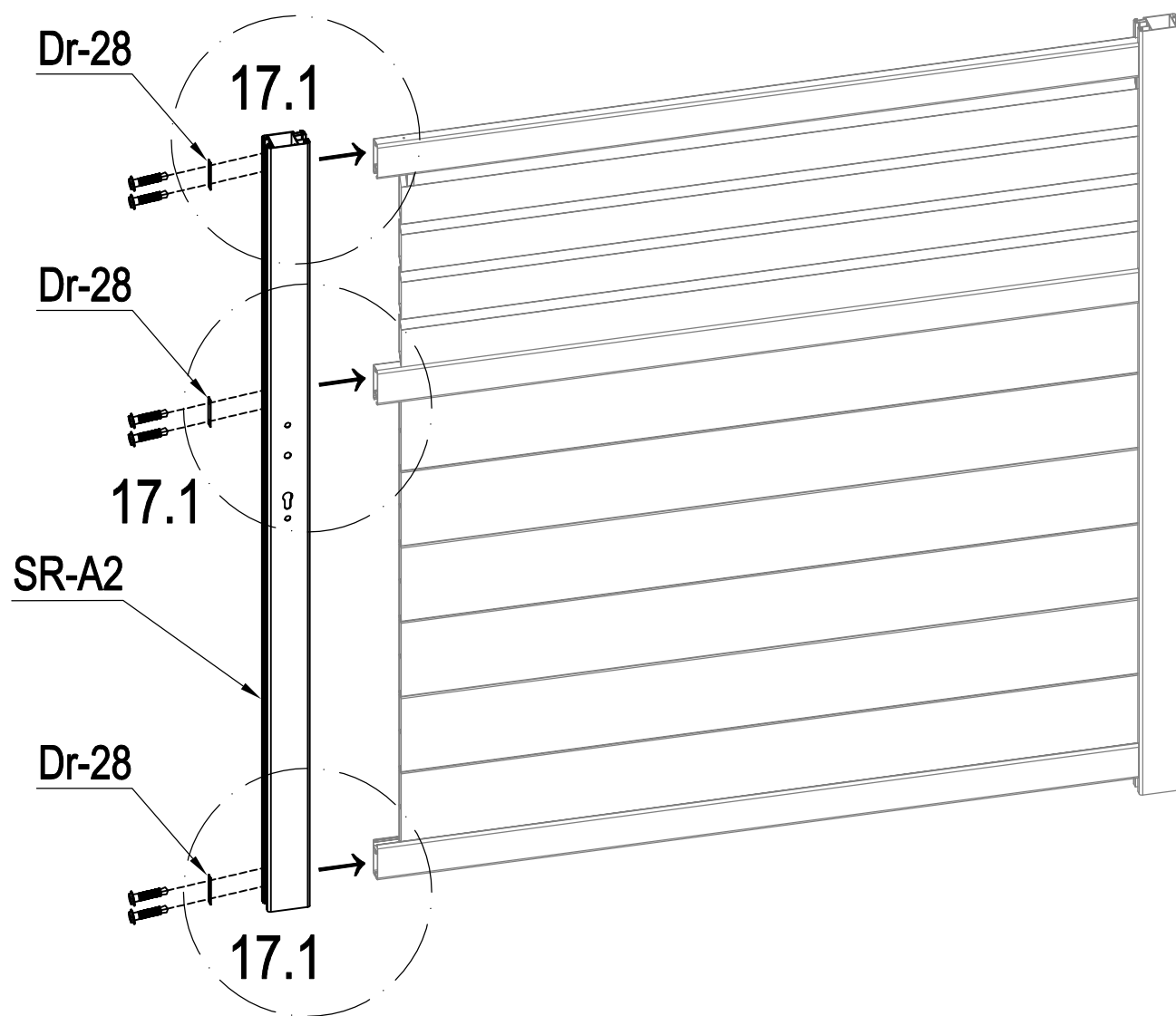
16.1

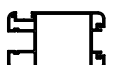


SR-B6

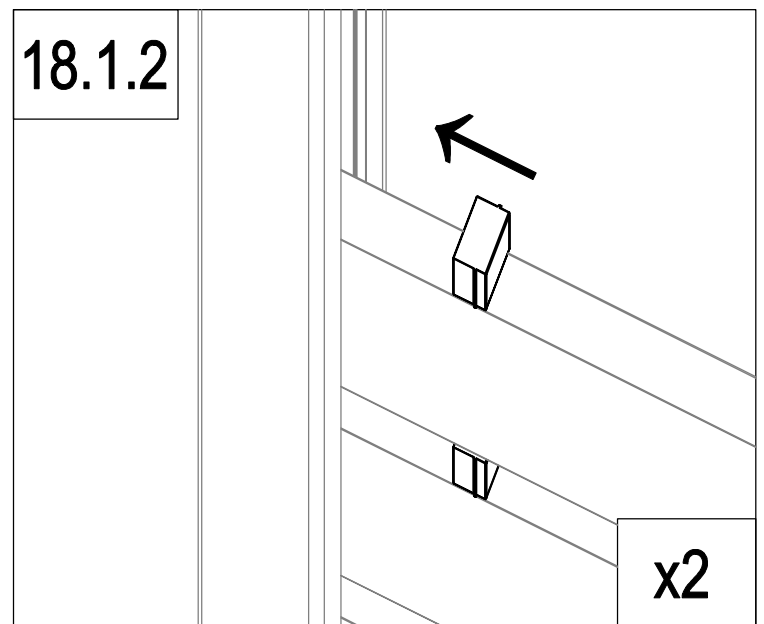
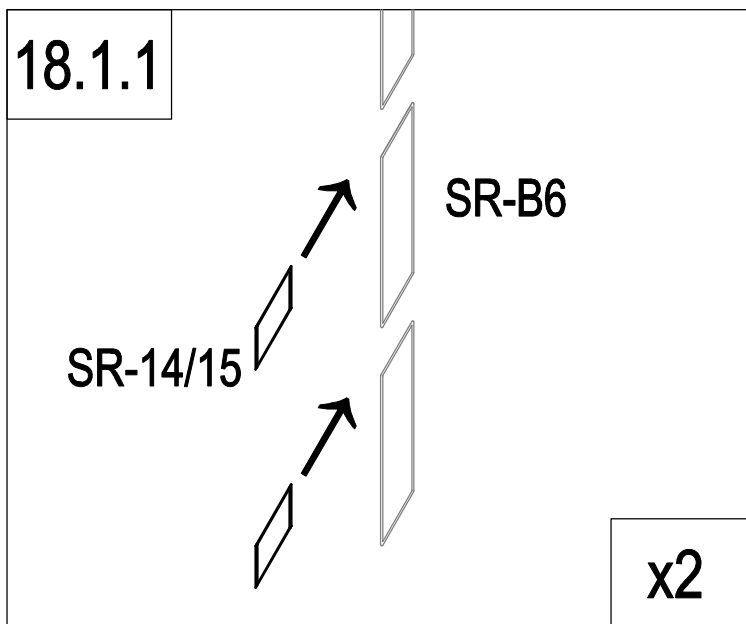
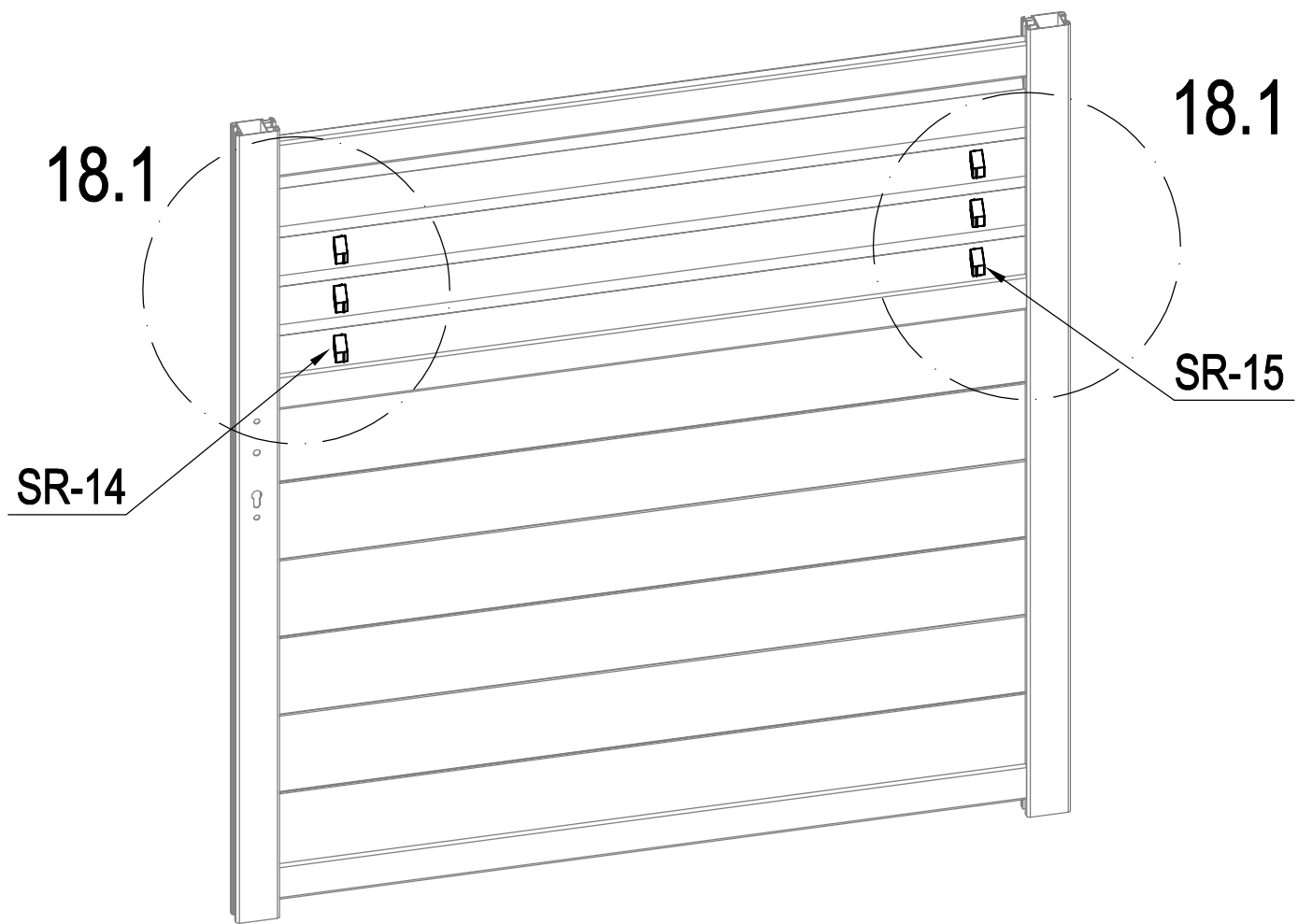




x4

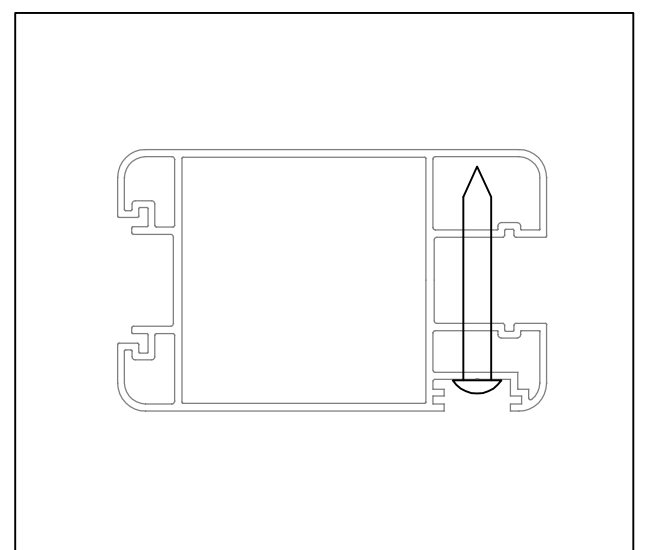
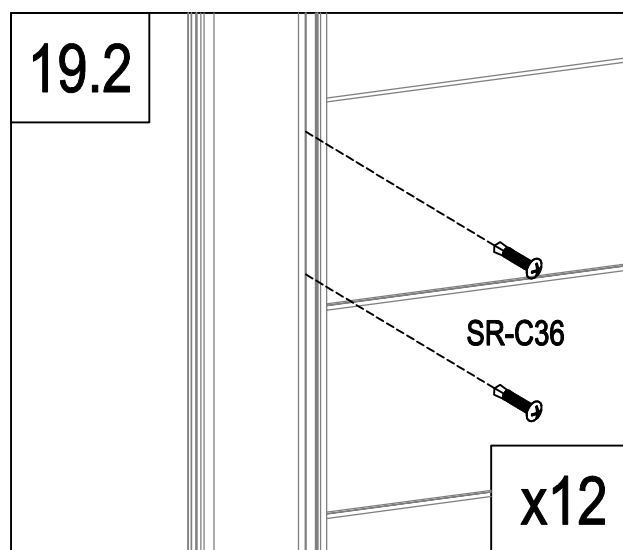
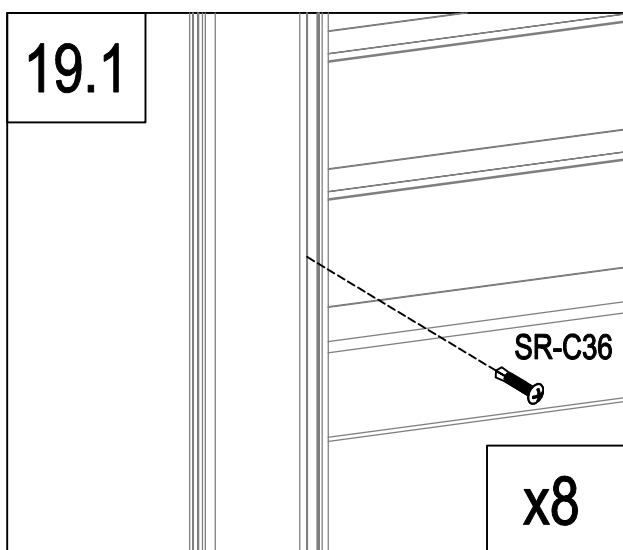
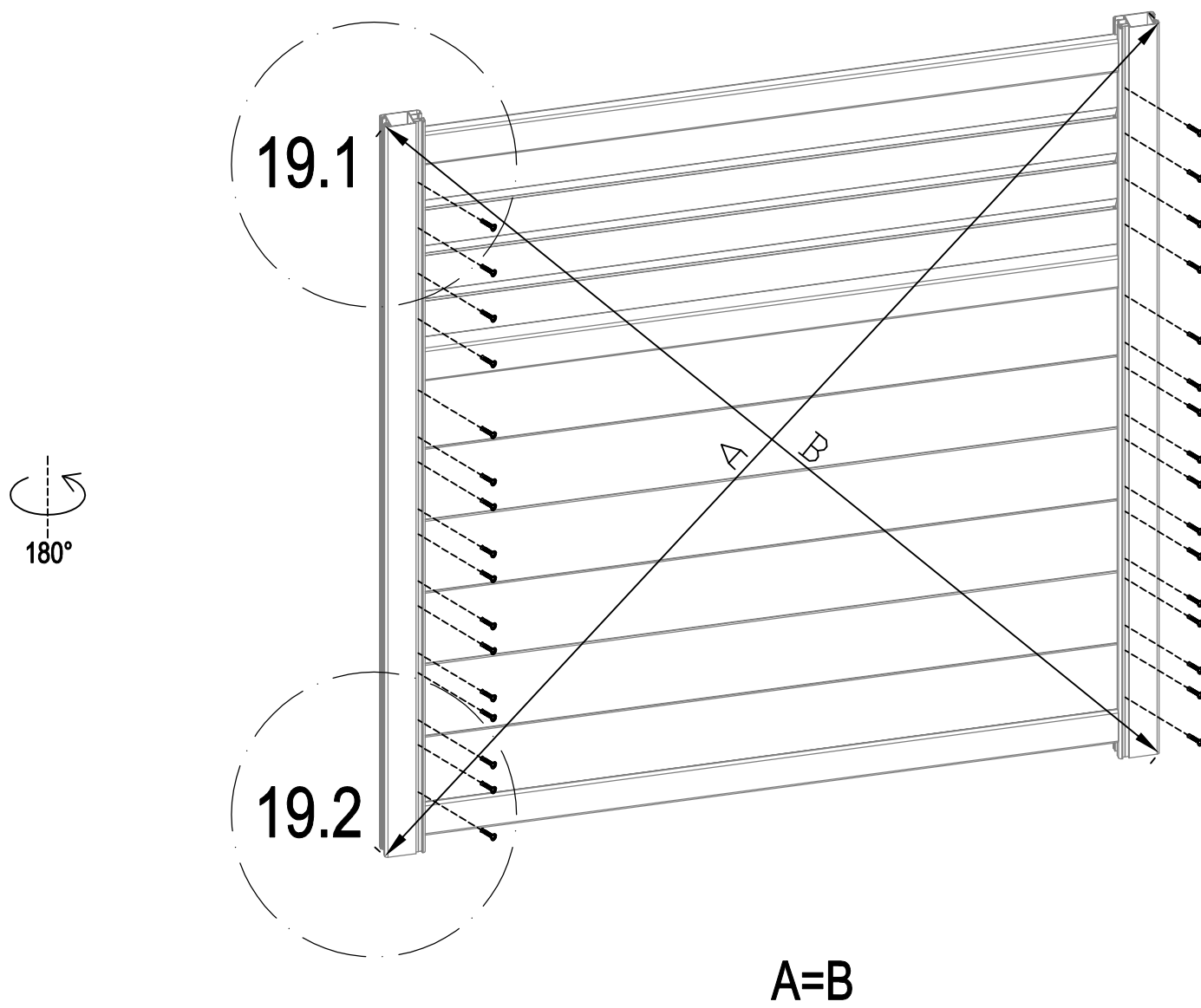
	SR-B6	4
---	-------	---




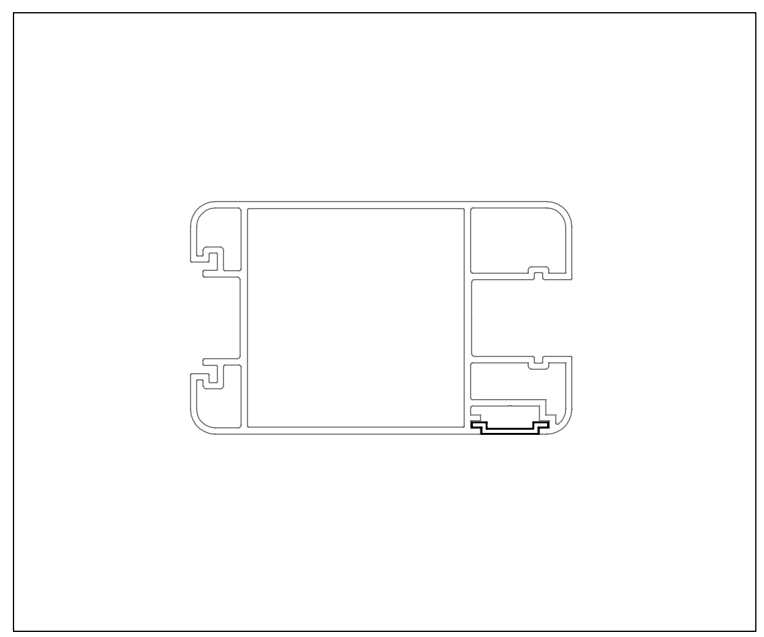
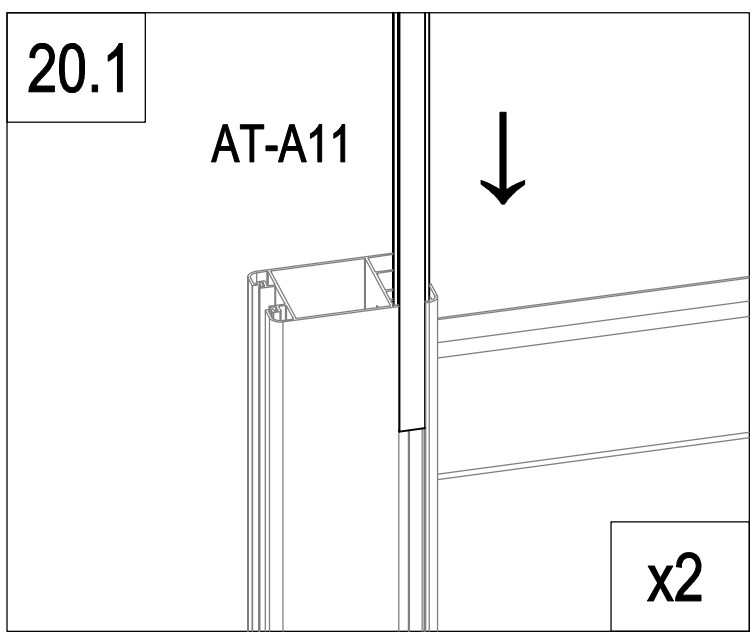
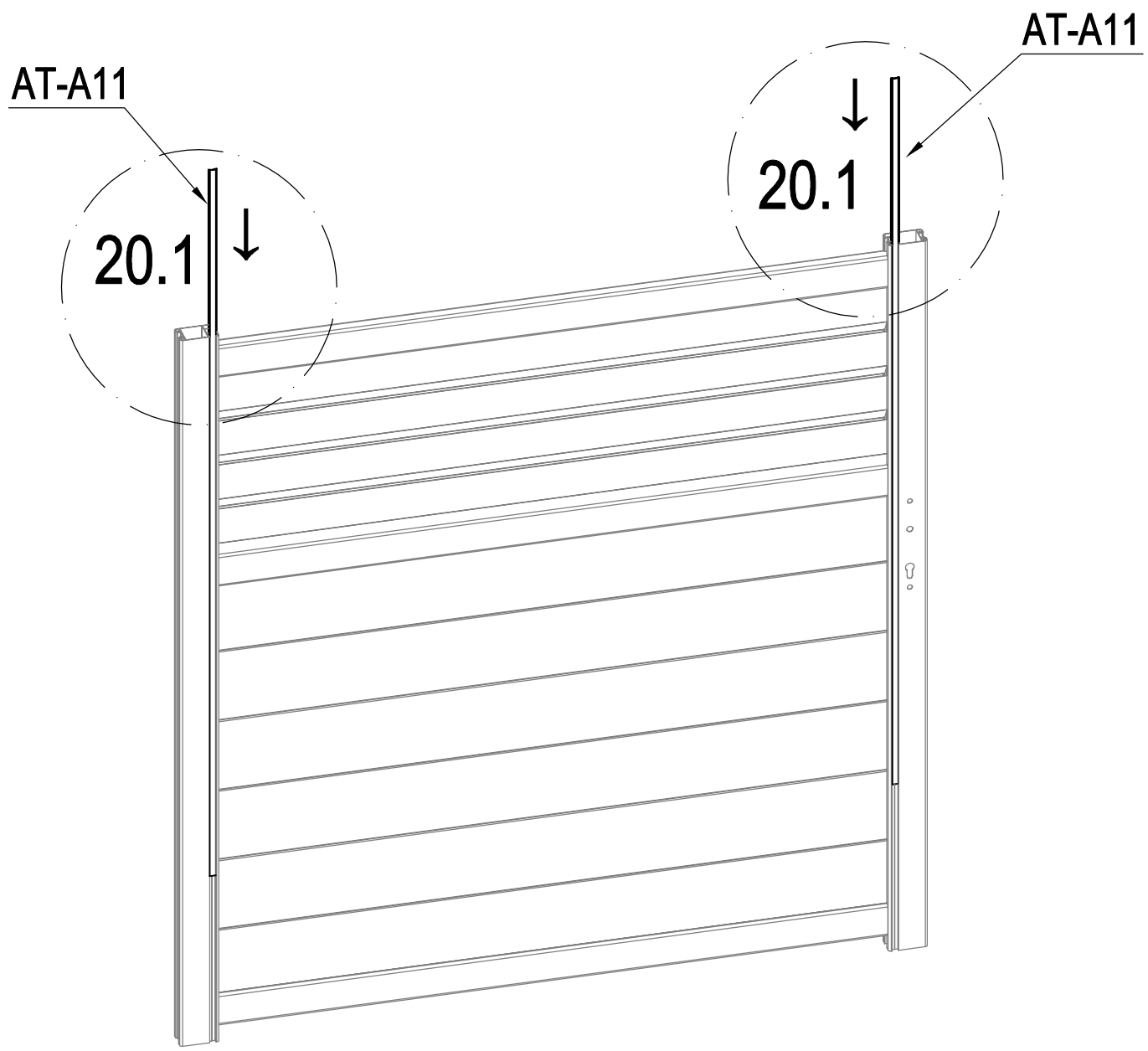
	SR-A2	1
	Dr-28	3
	SR-C33	6

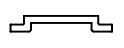


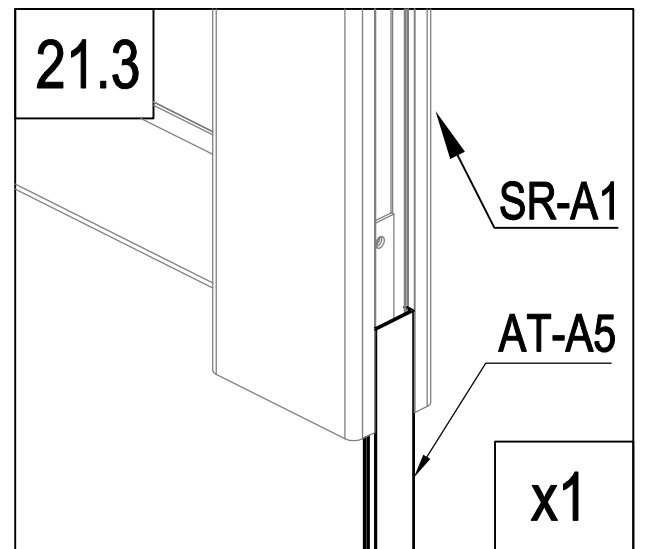
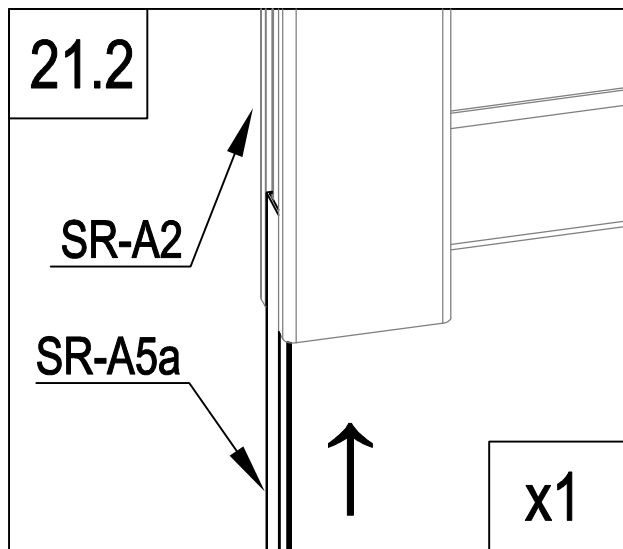
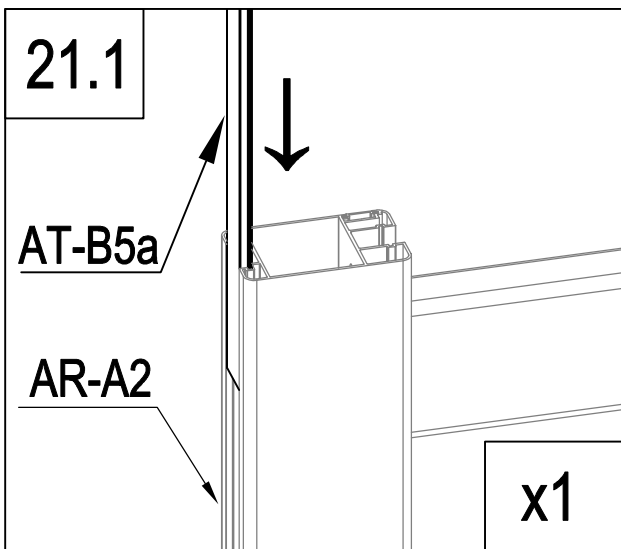
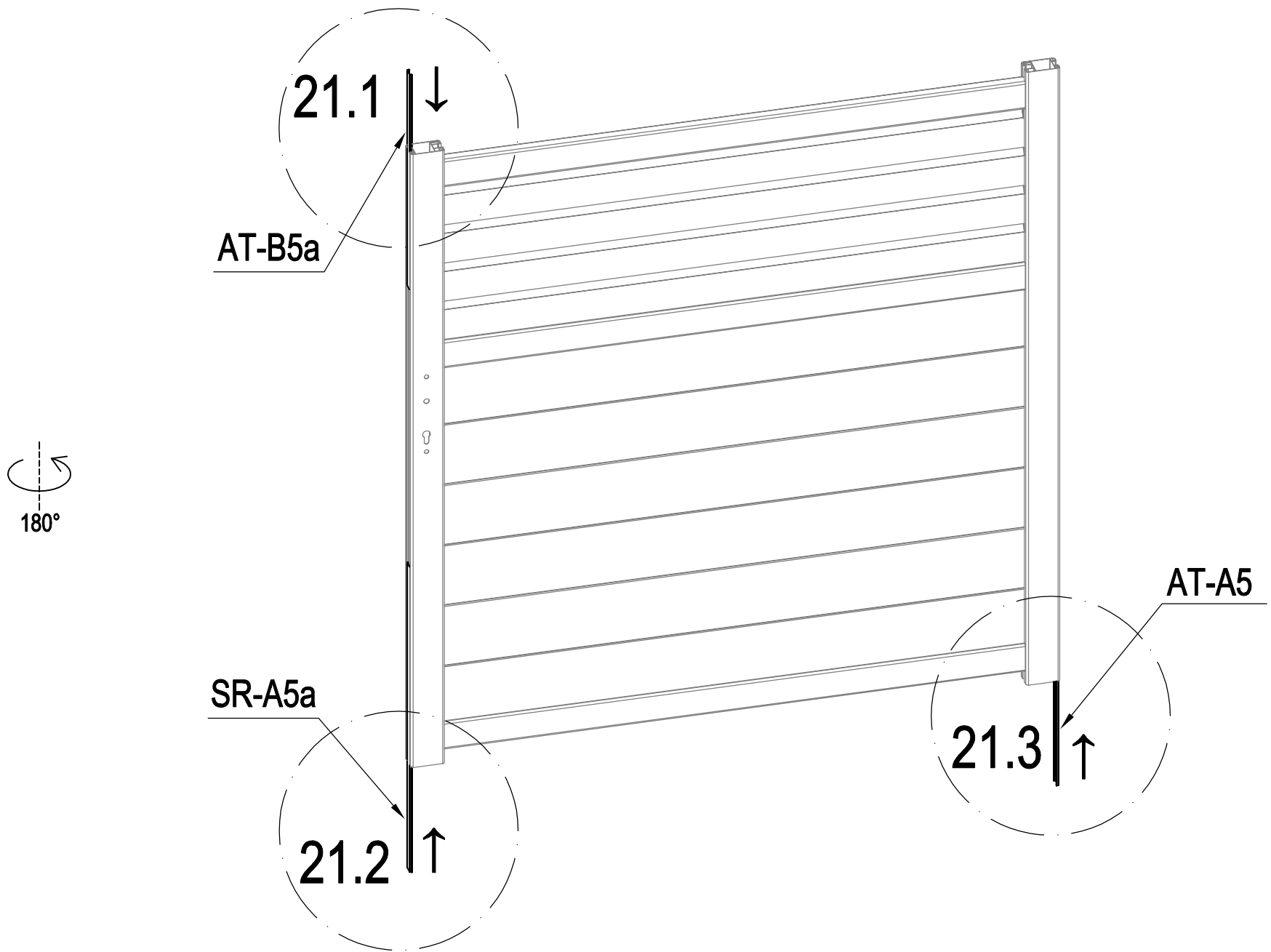
	SR-14	3
	SR-15	3

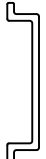


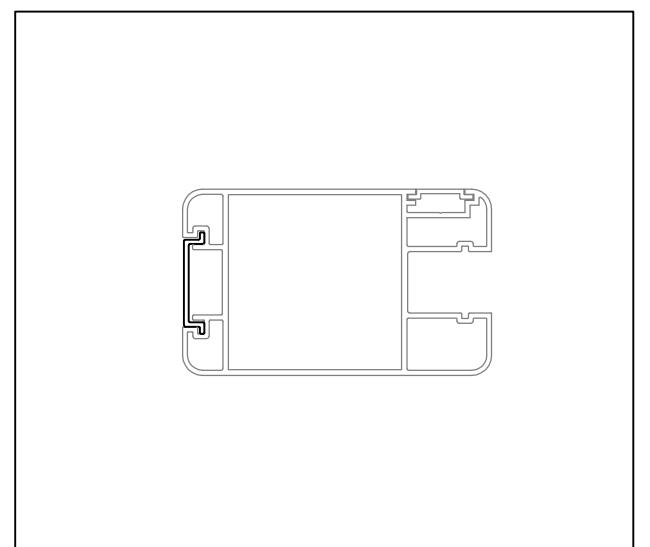
	SR-C36	32
---	--------	----

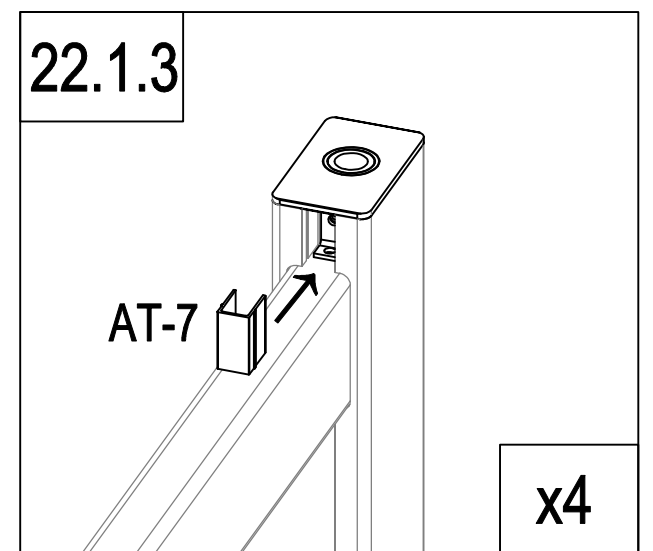
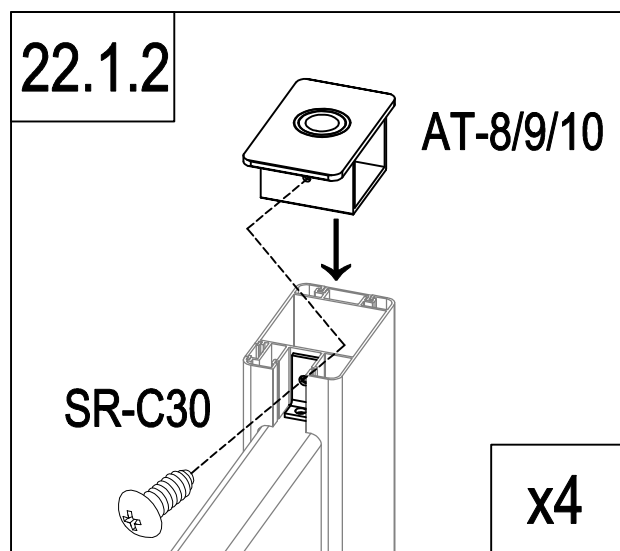
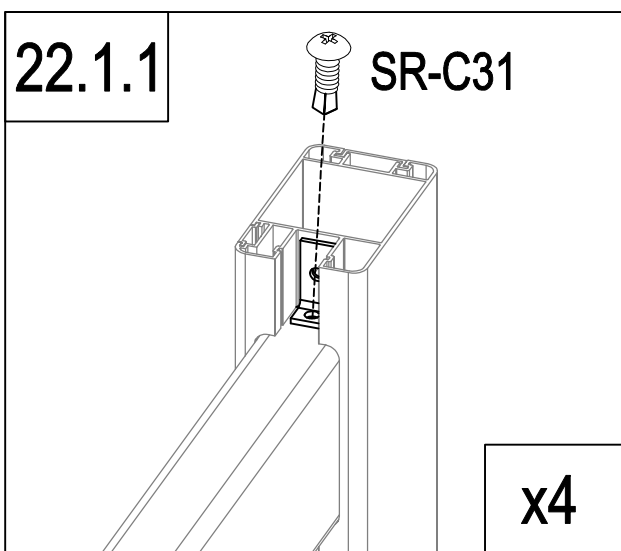
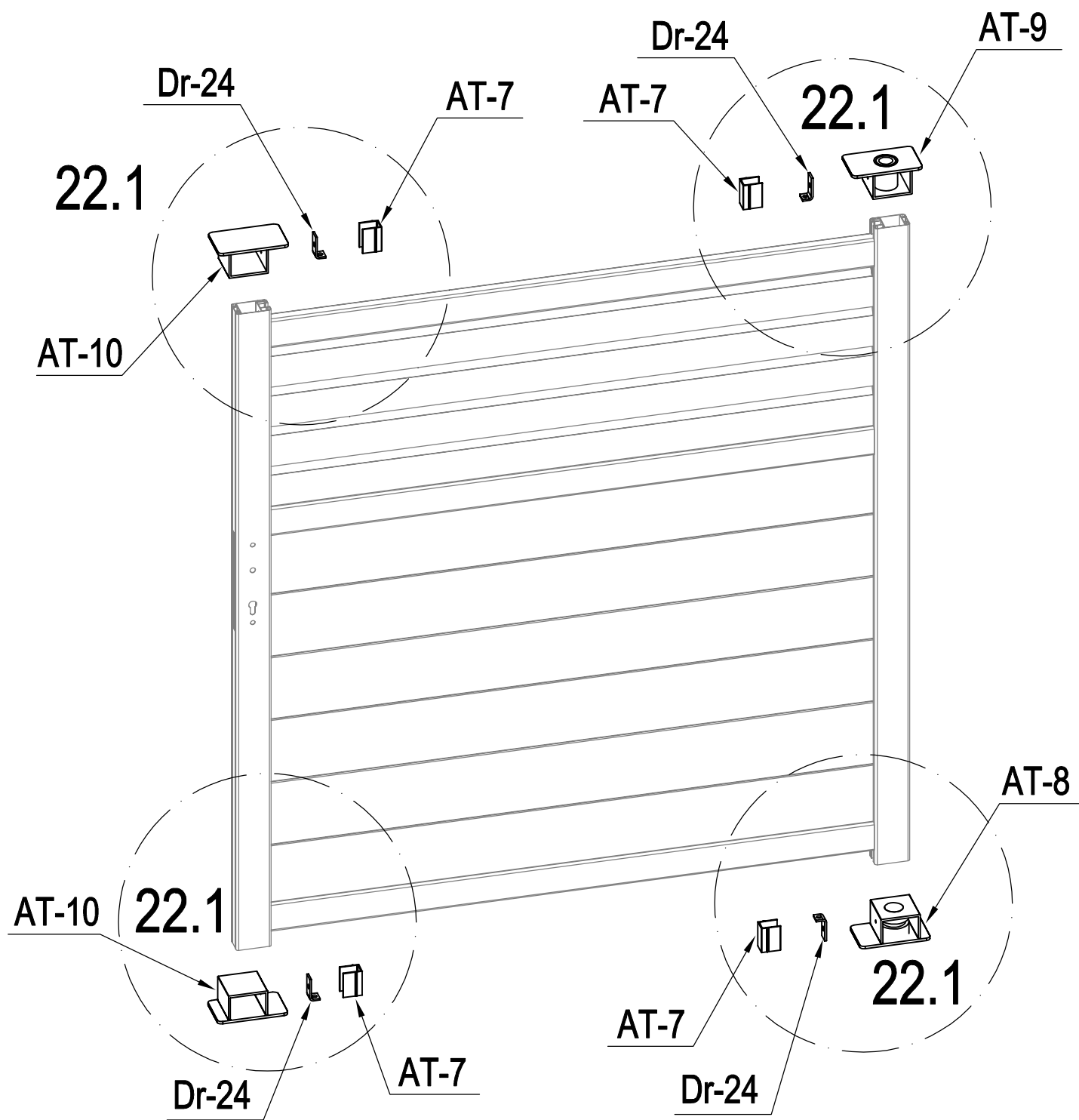


	AT-A11	2
---	--------	---



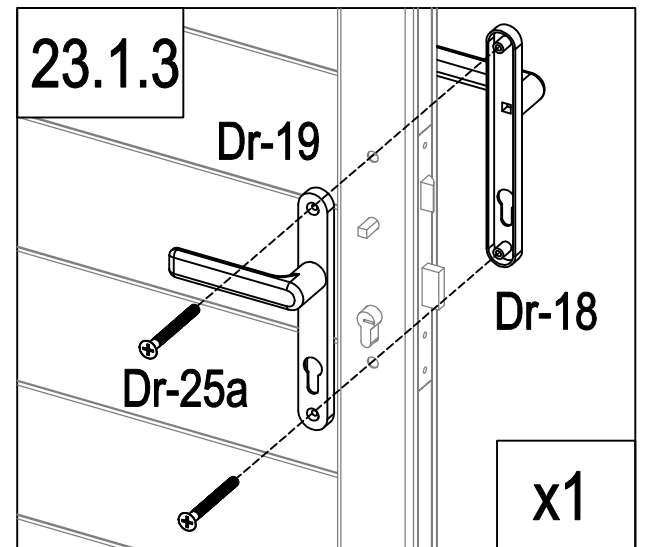
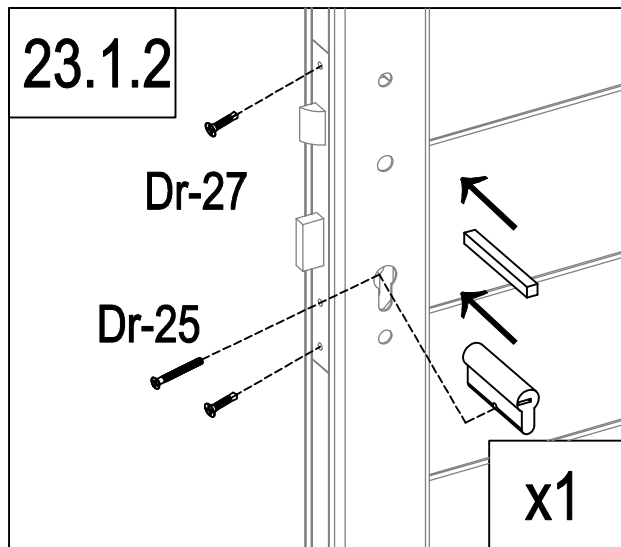
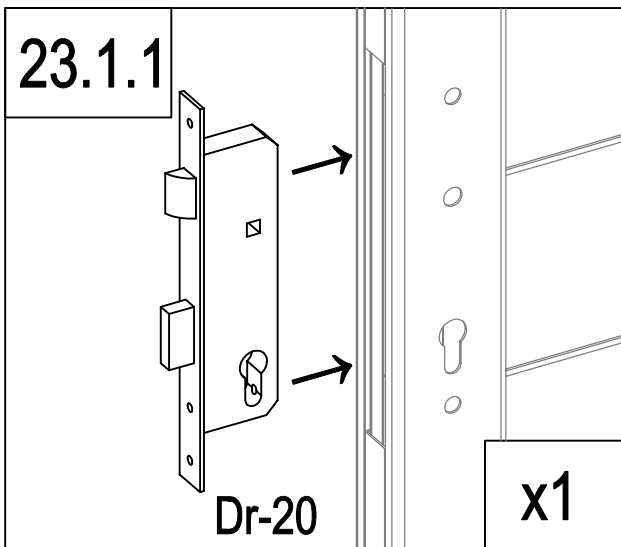
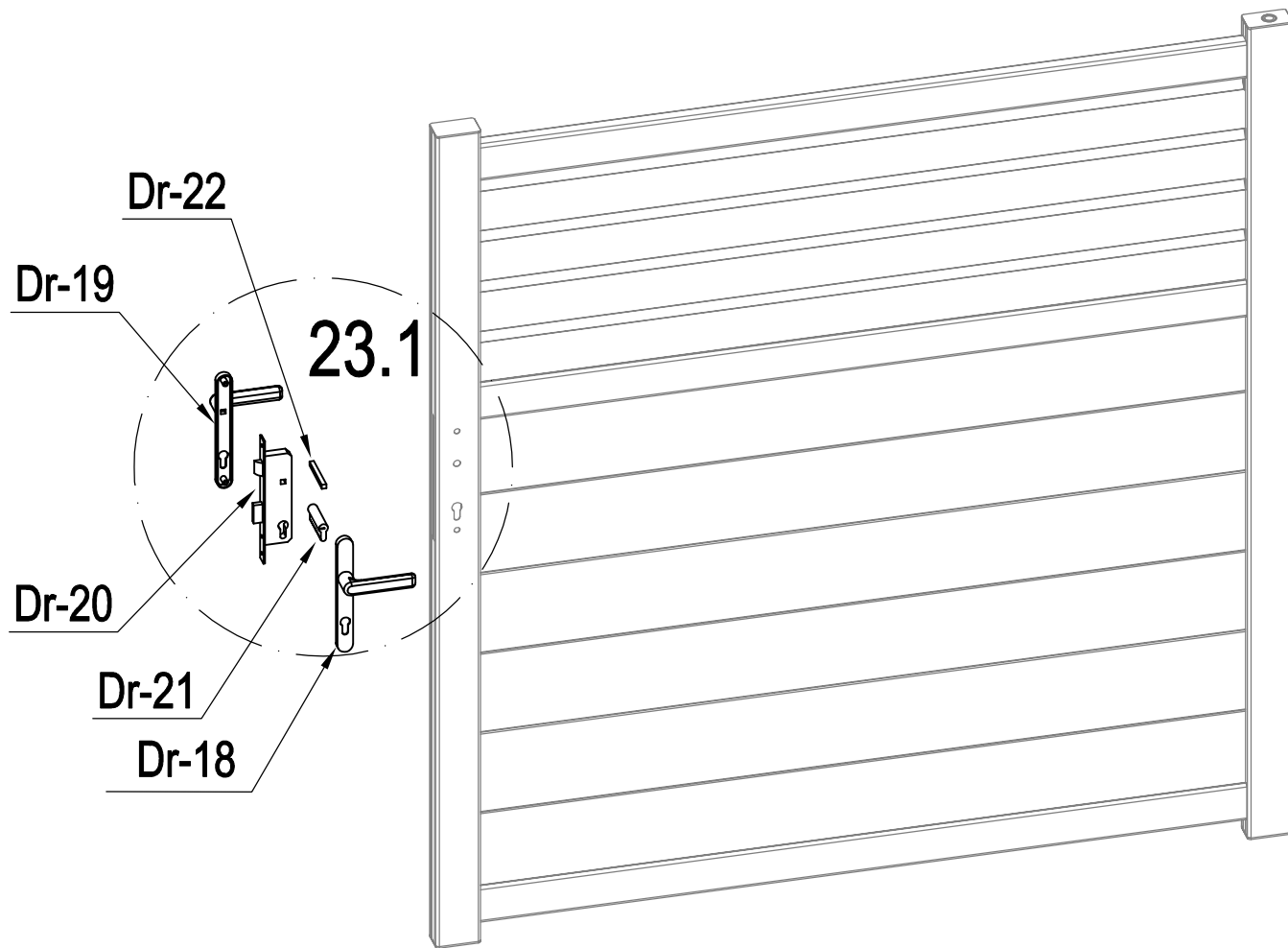
	AT-A5	1
	AT-B5a	1
	SR-A5a	1





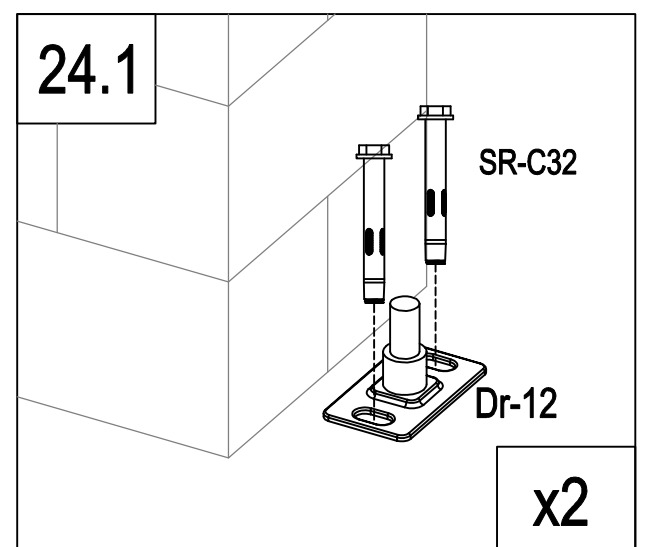
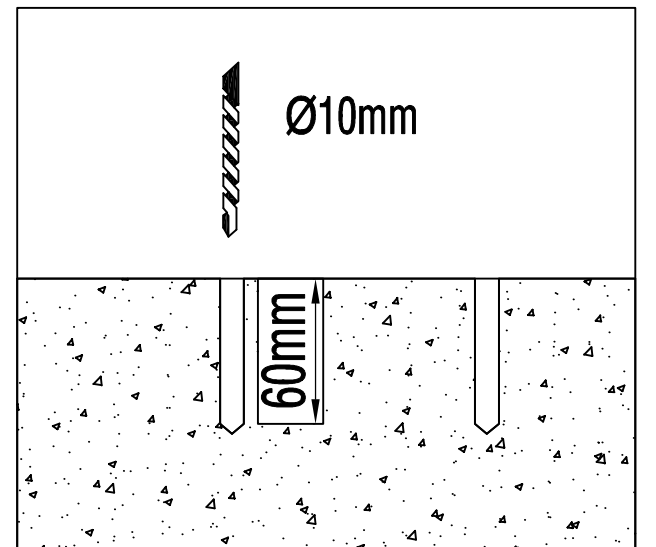
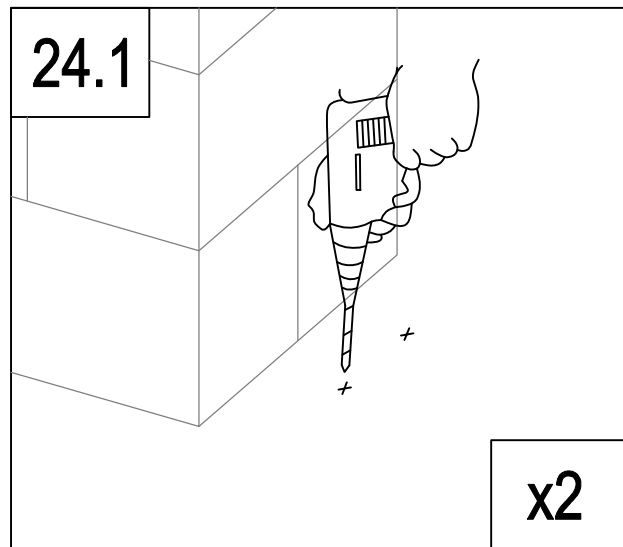
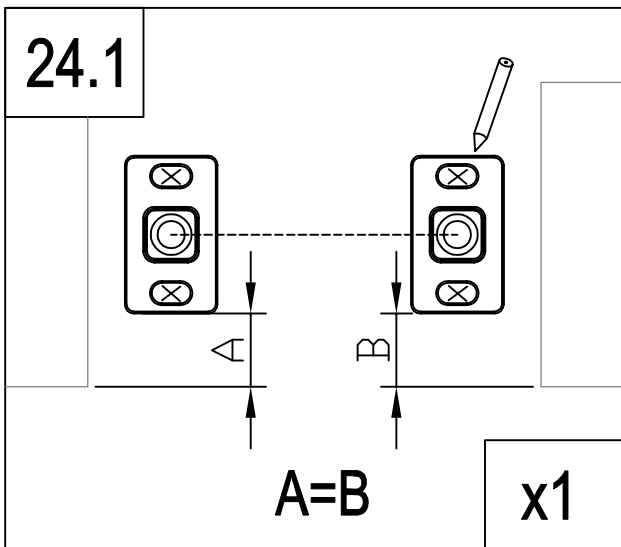
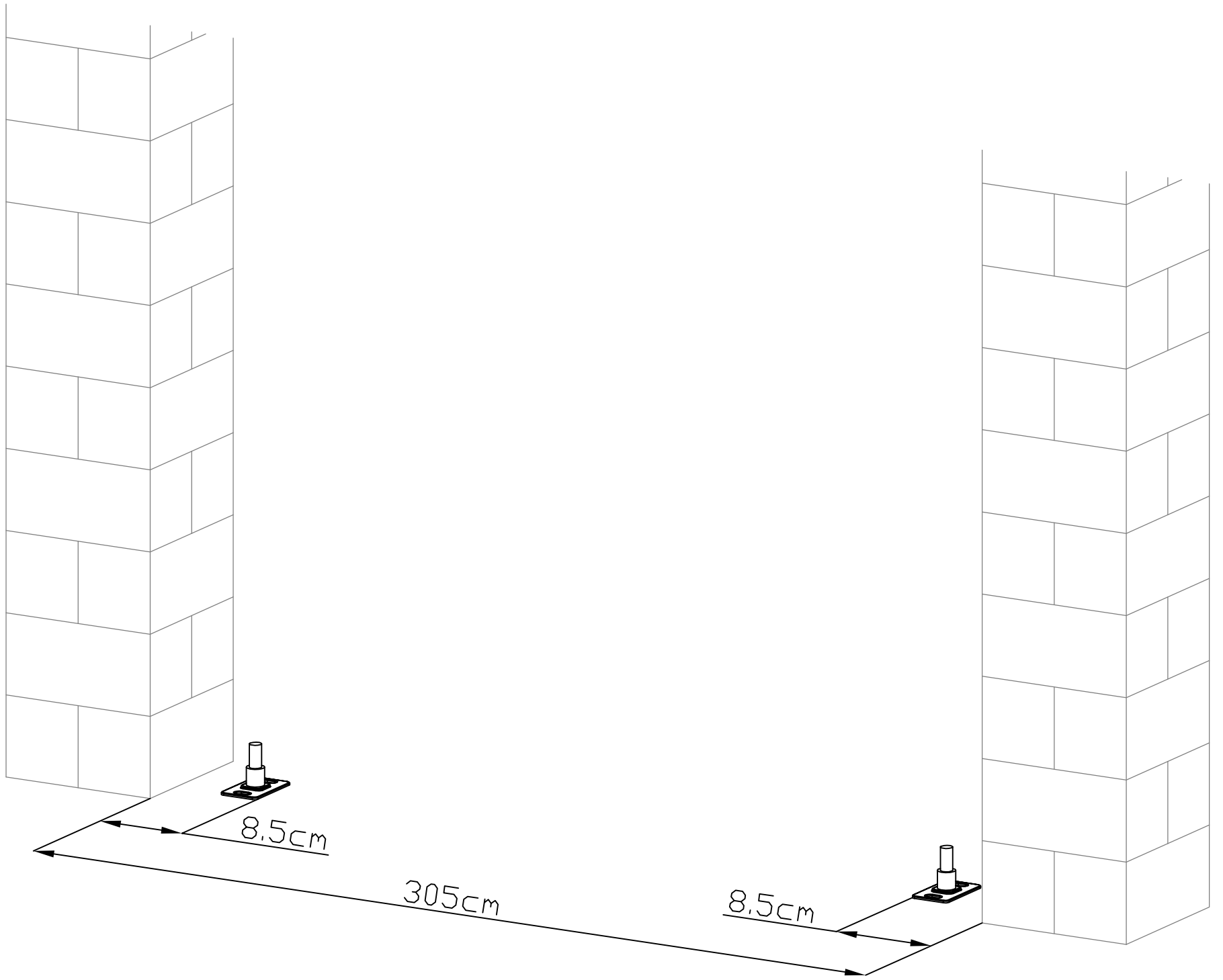
	AT-8	1
	AT-9	1
	AT-10	2
	Dr-24	4

	AT-7	4
	SR-C30	4
	SR-C31	4

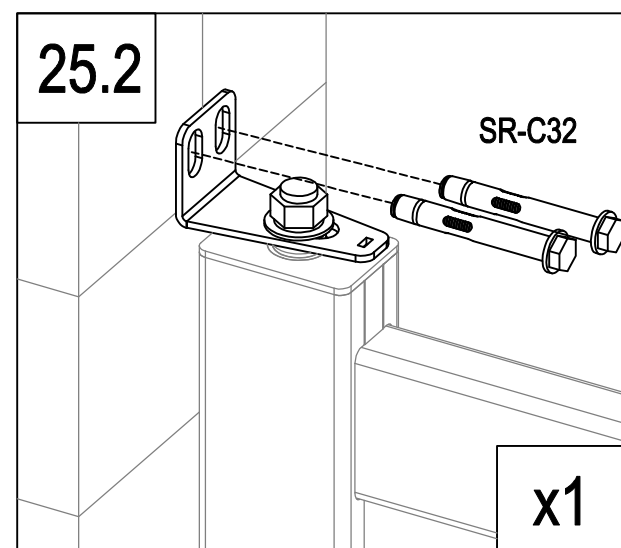
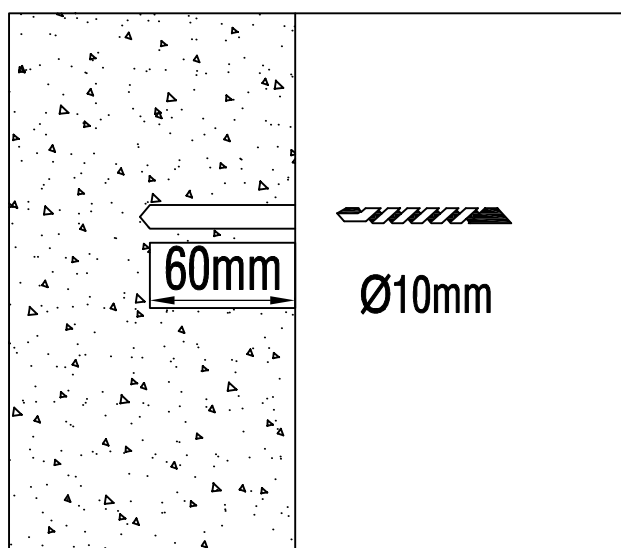
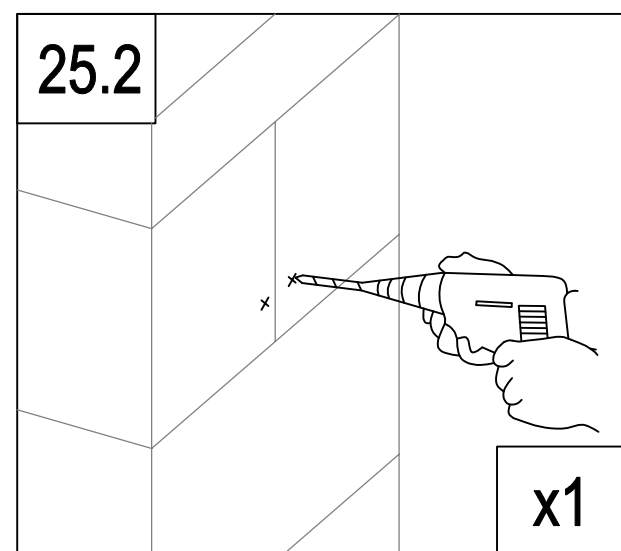
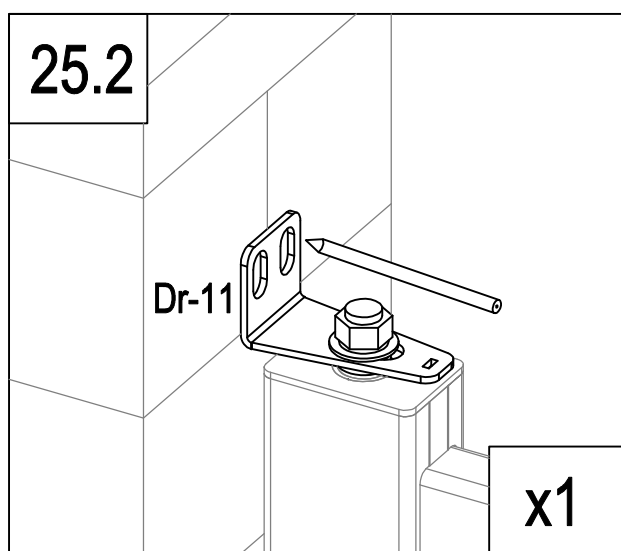
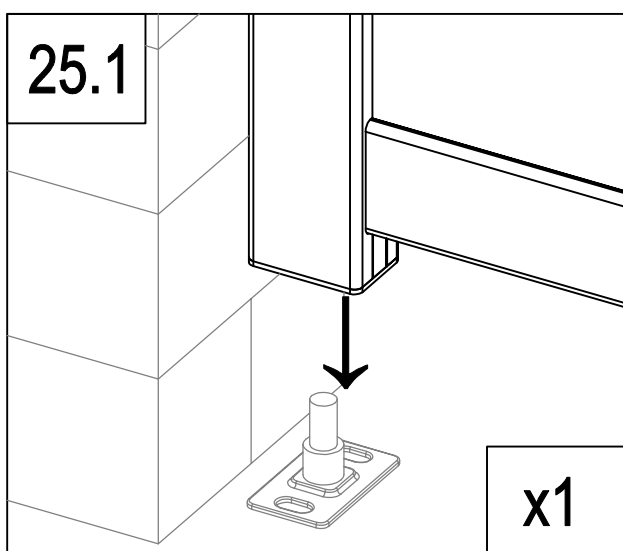
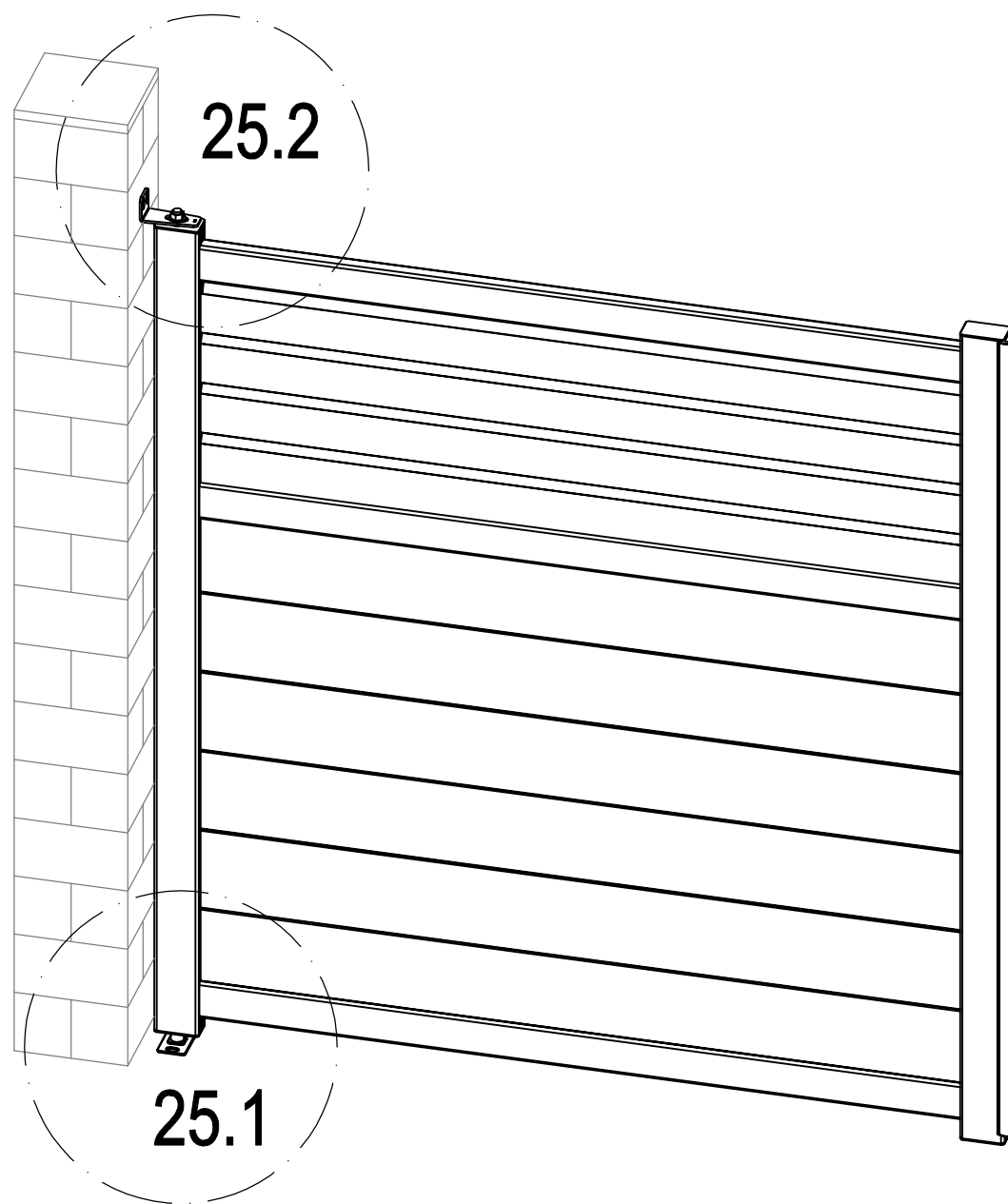


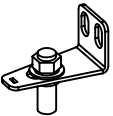

	Dr-20	1
	Dr-21	1
	Dr-22	1
	Dr-25	1

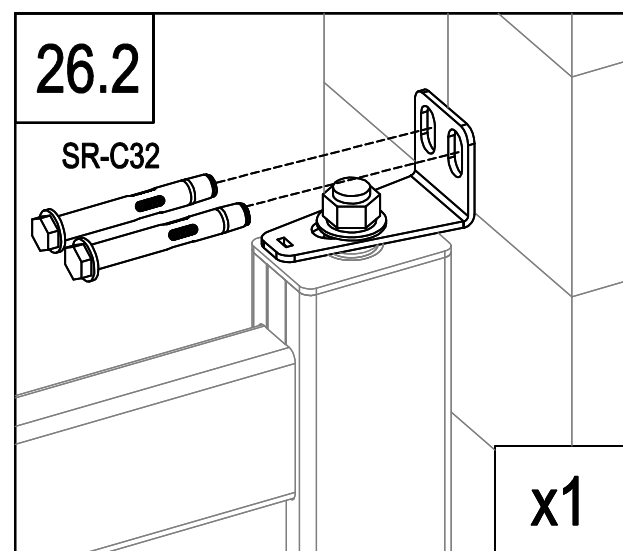
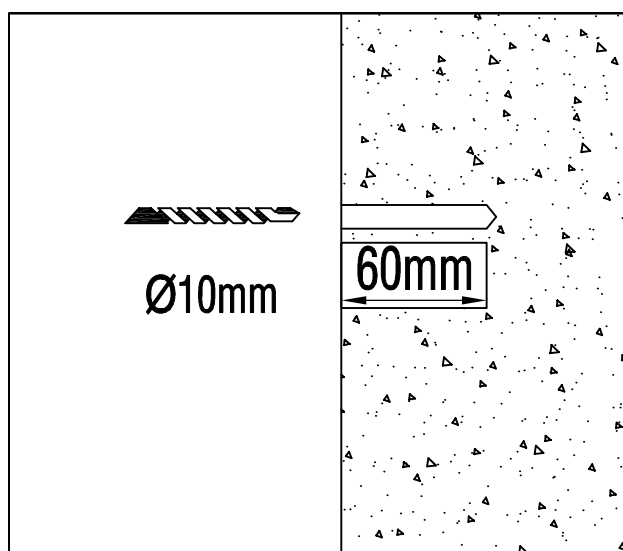
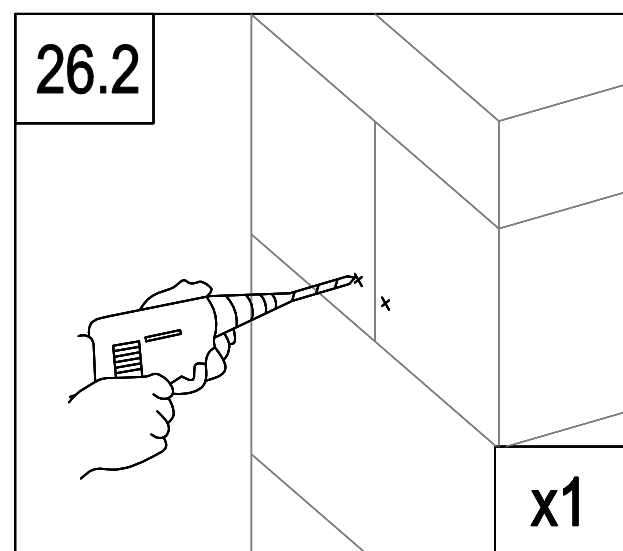
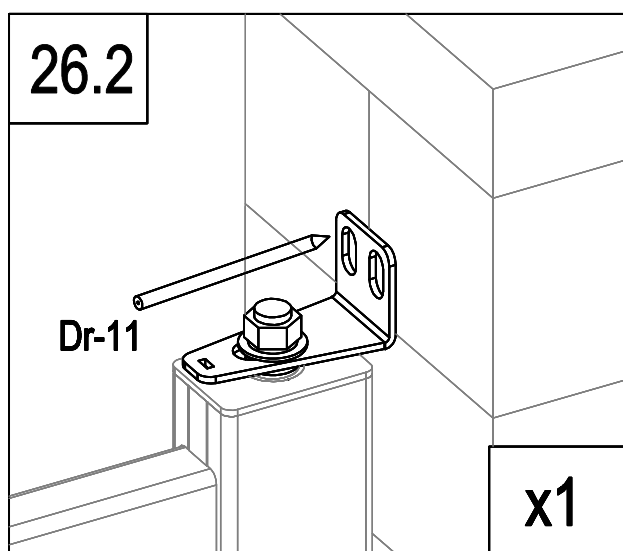
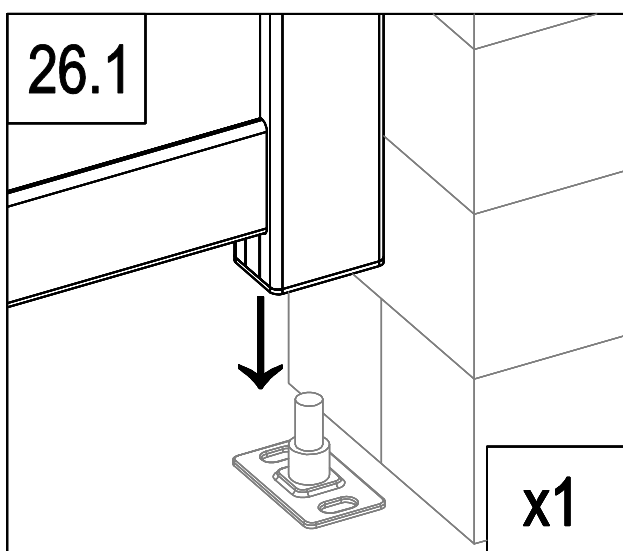
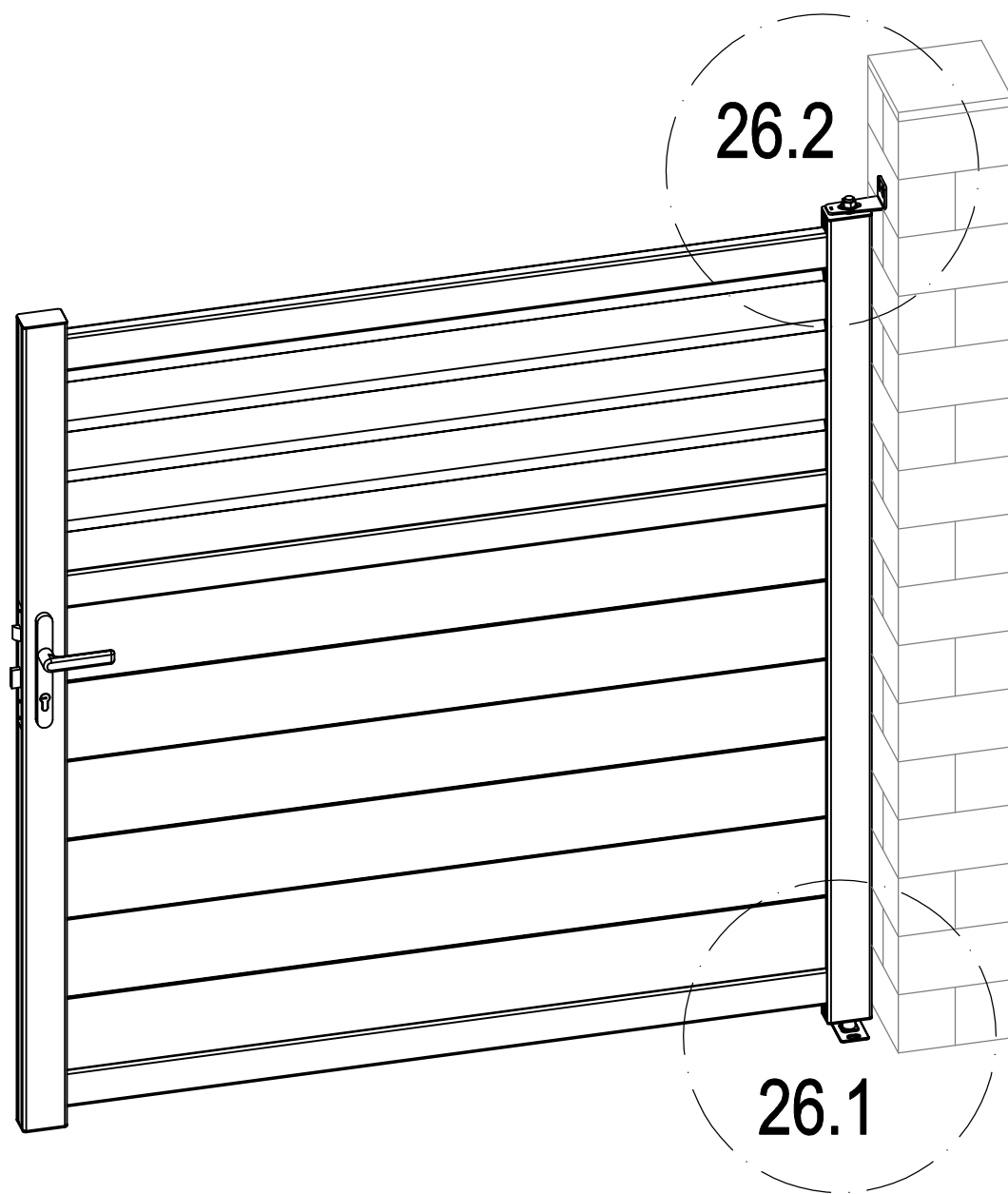
	Dr-18	1
	Dr-19	1
	Dr-25a	2
	Dr-27	2





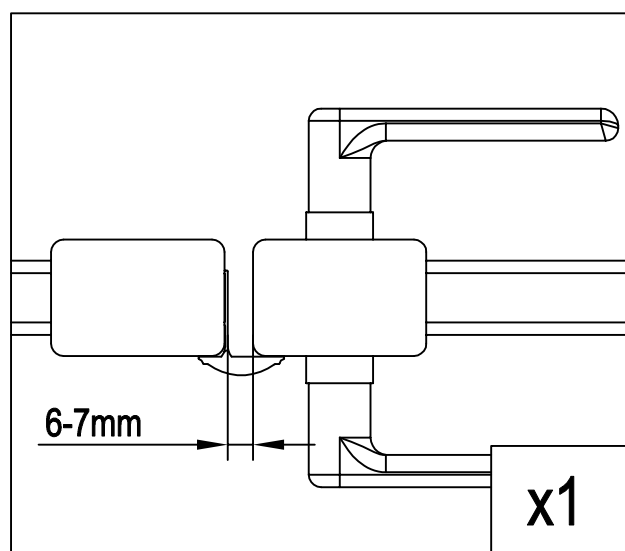
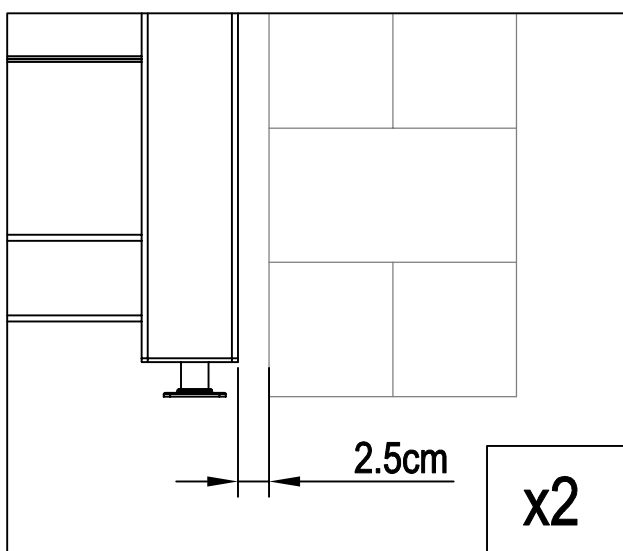
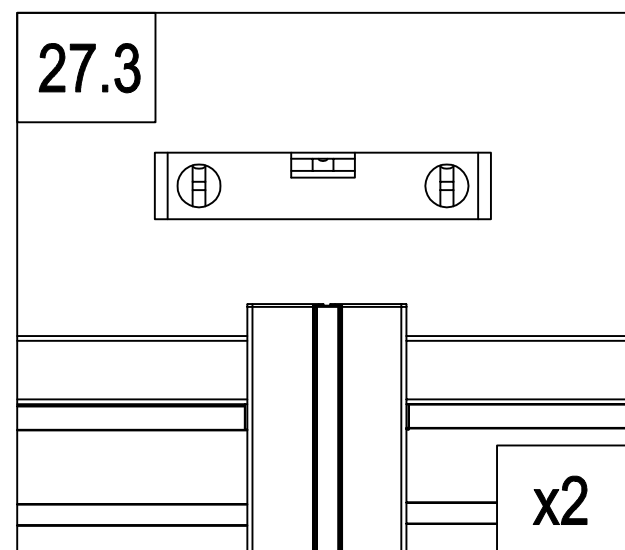
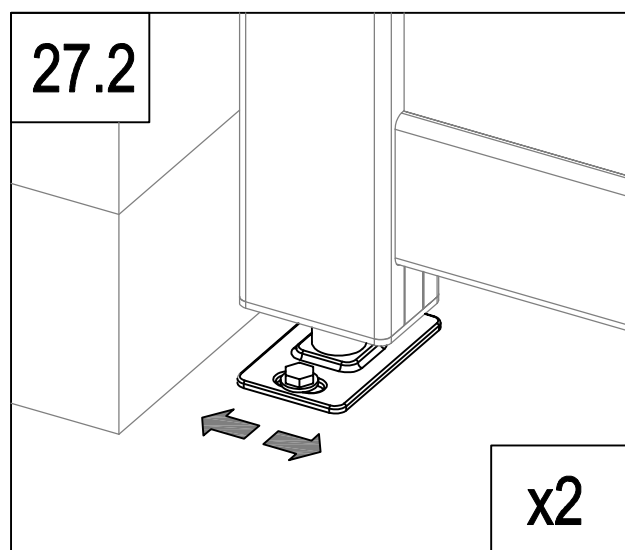
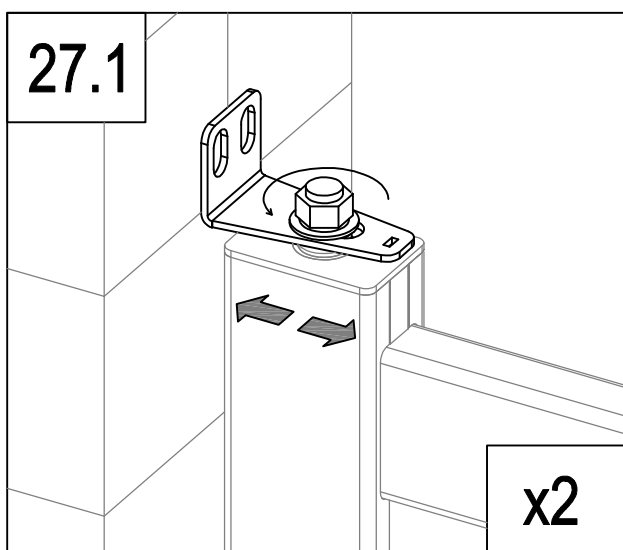
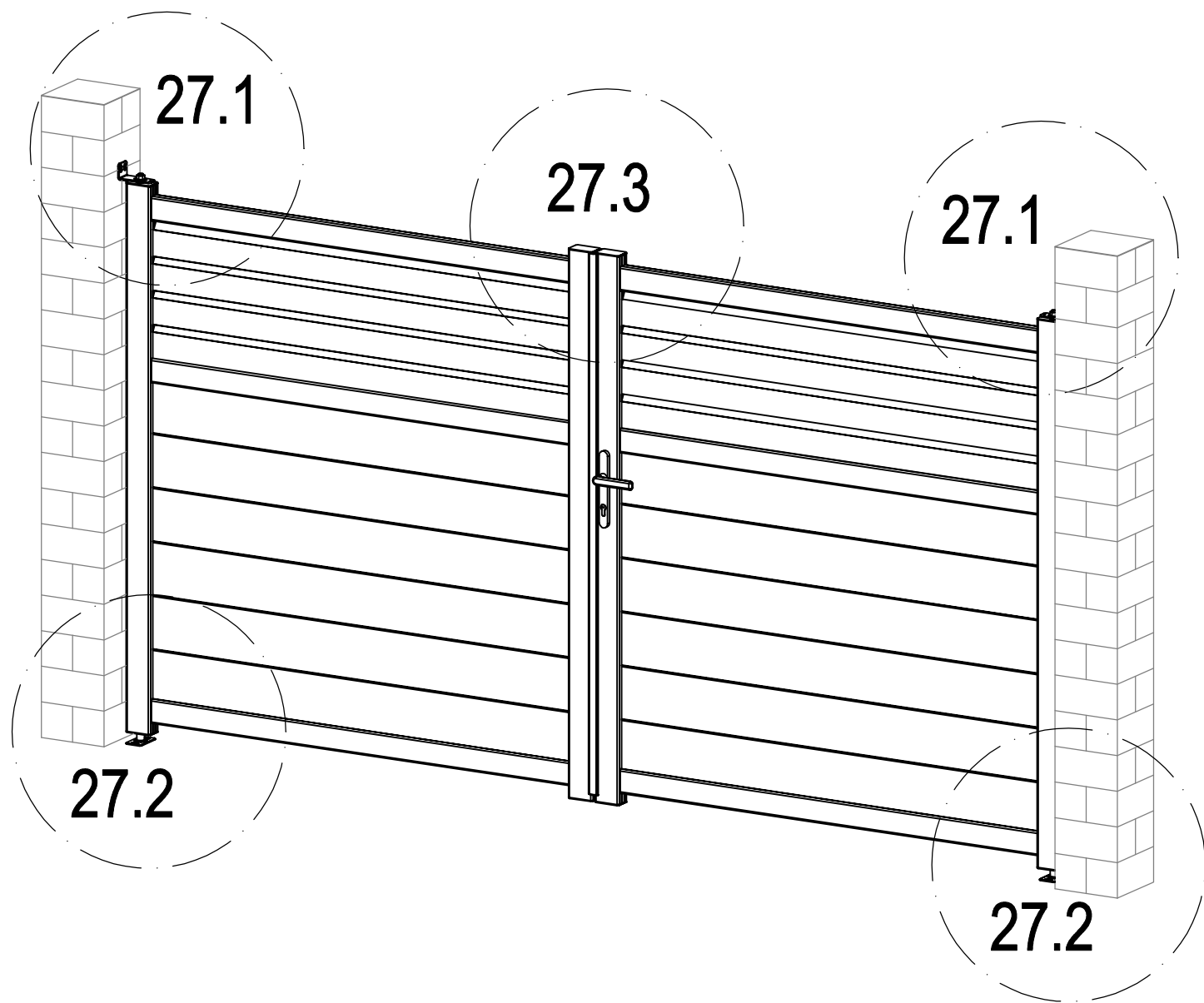
	Dr-12	2
	SR-C32	4

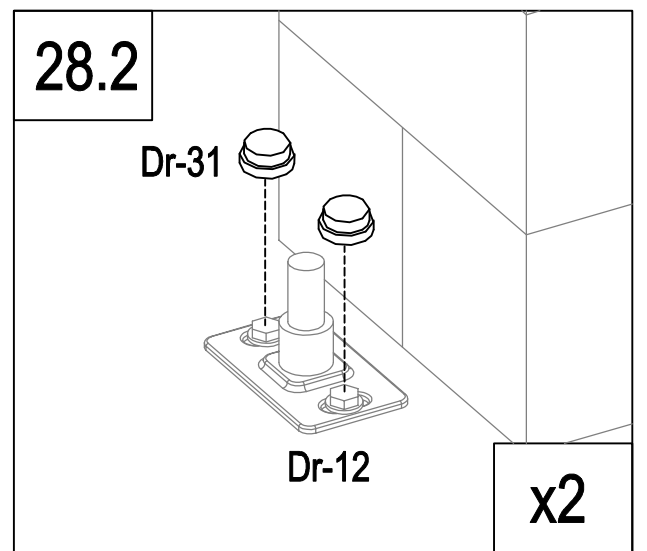
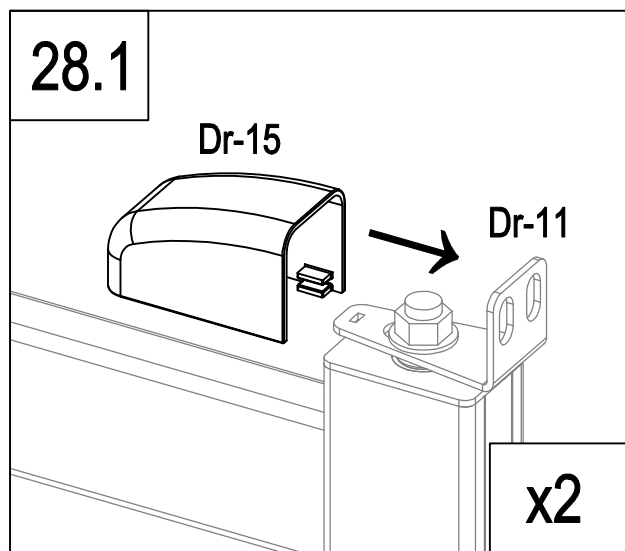
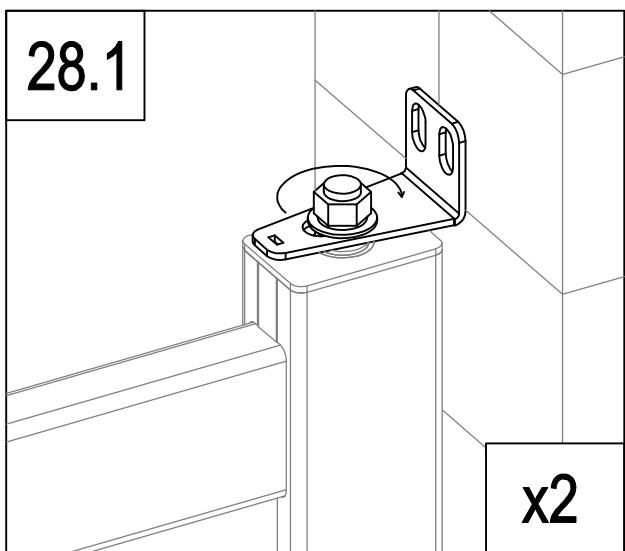
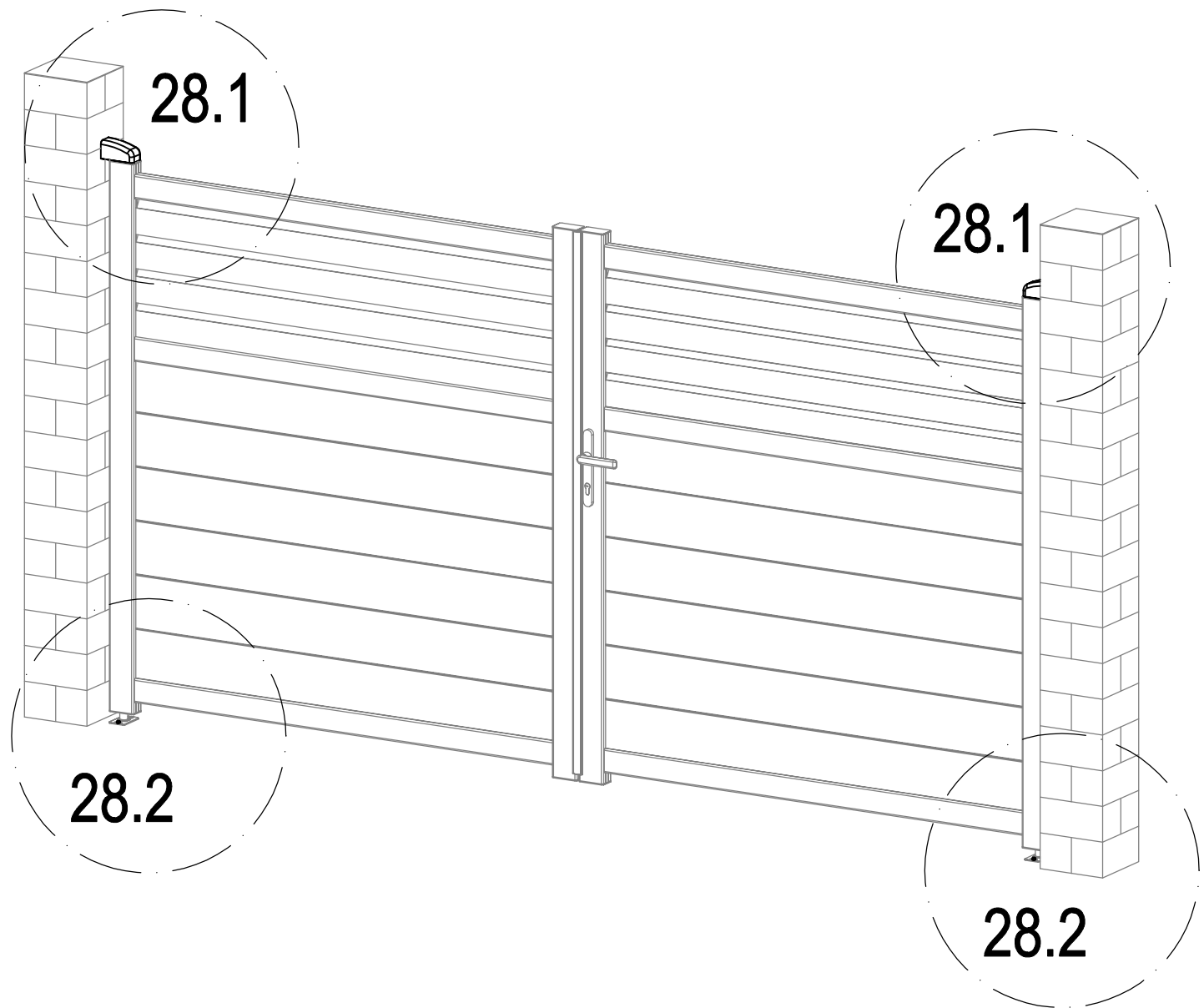


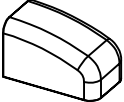

	Dr-11	1
	SR-C32	2

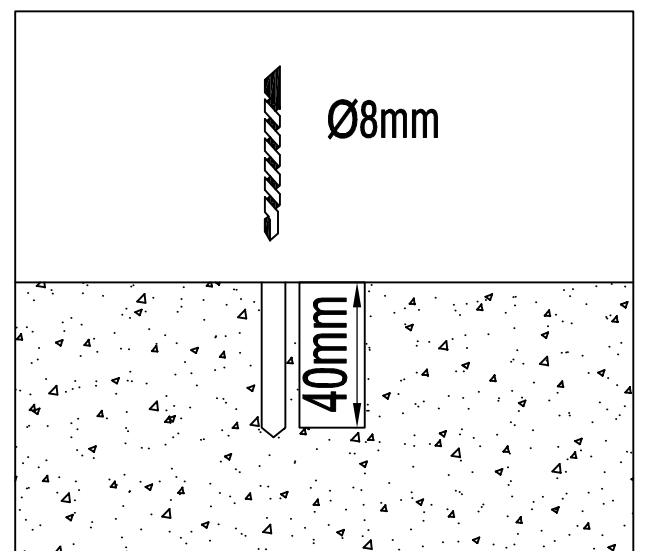
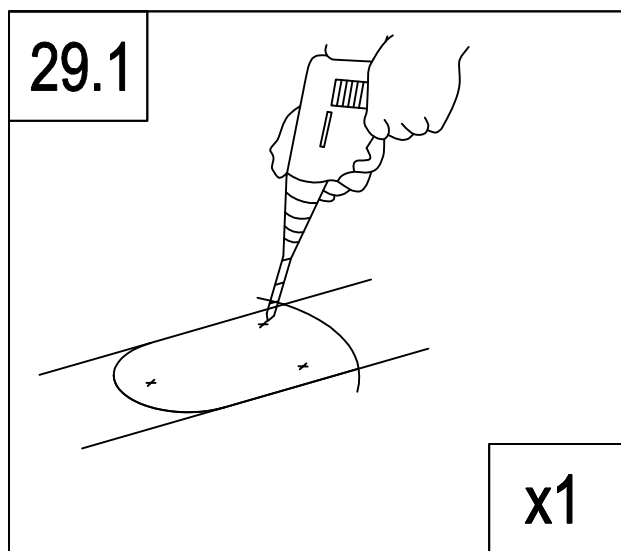
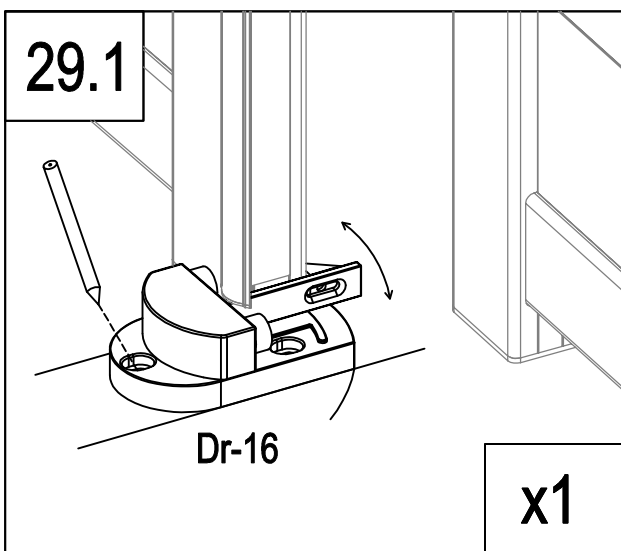
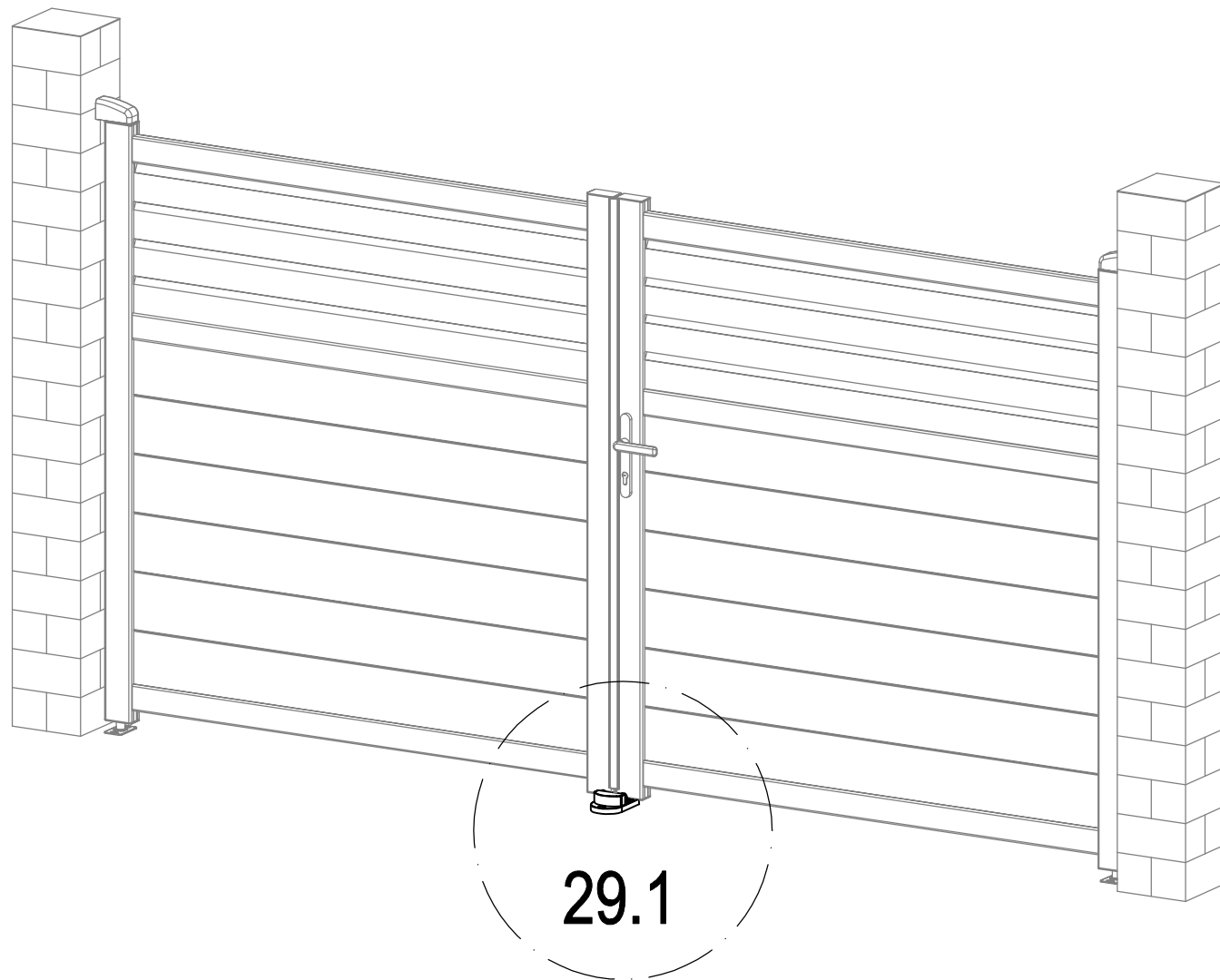


	Dr-11	1
	SR-C32	2

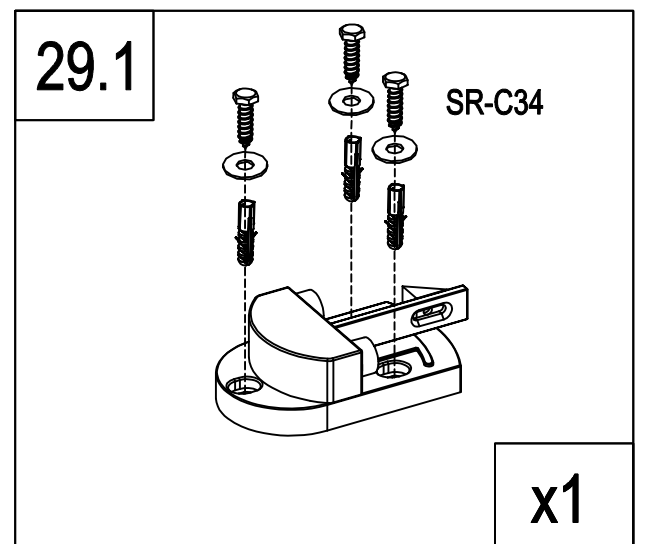


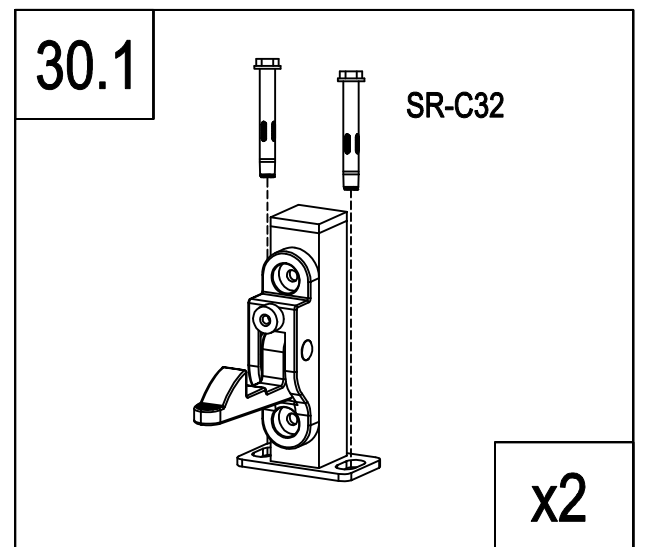
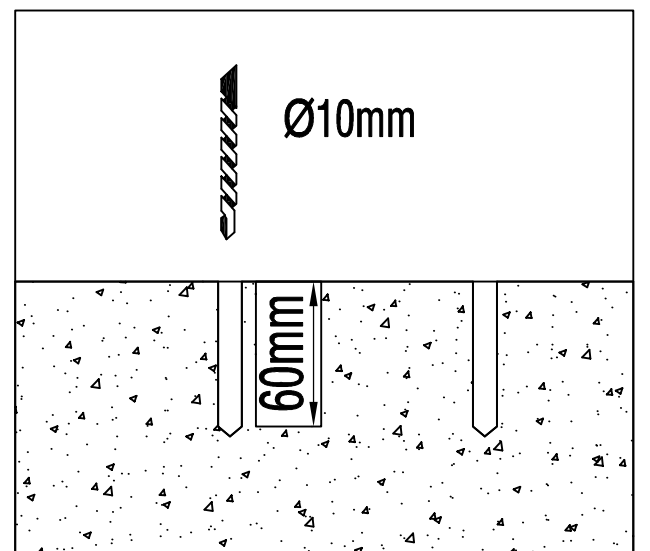
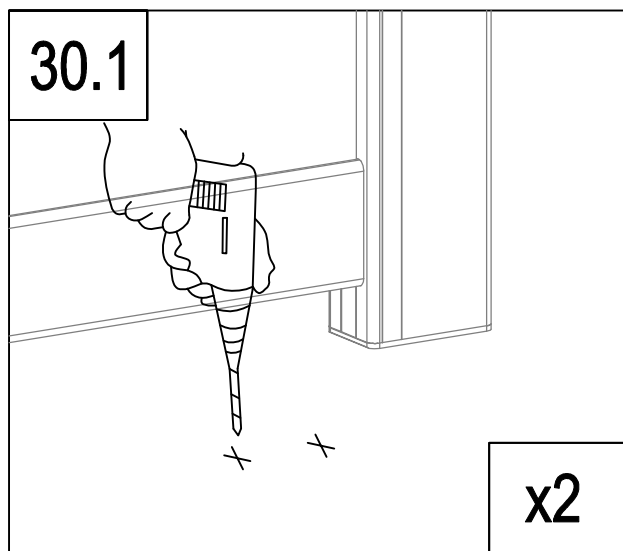
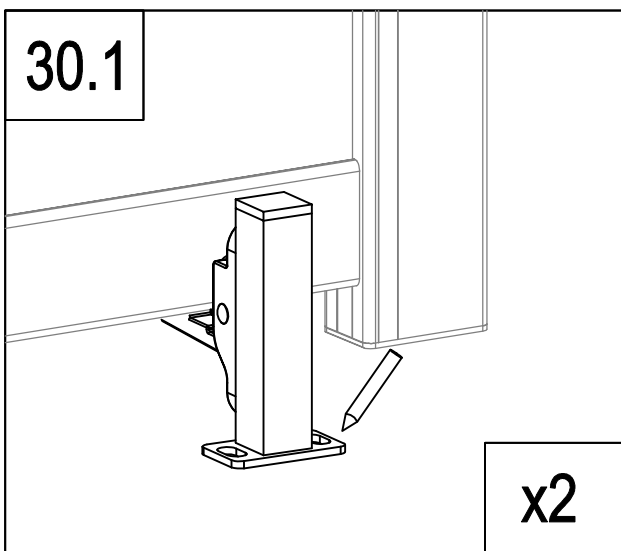
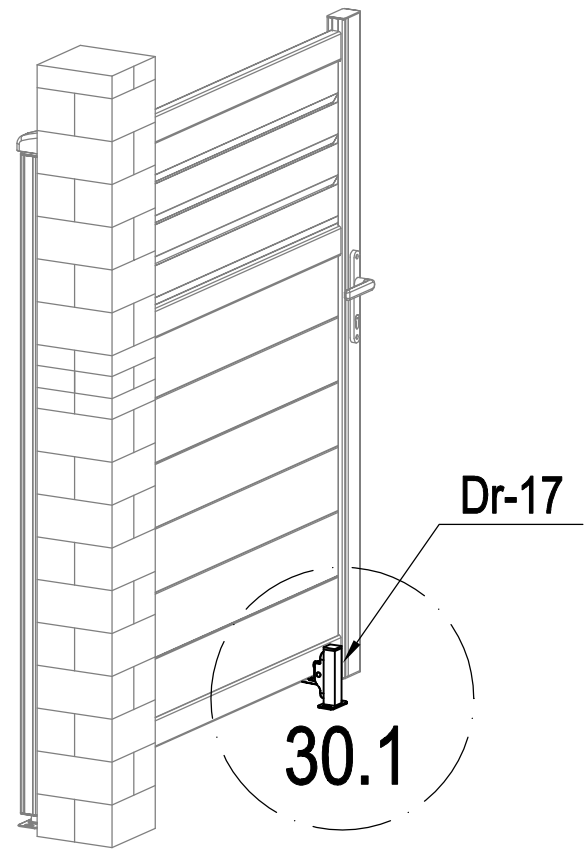
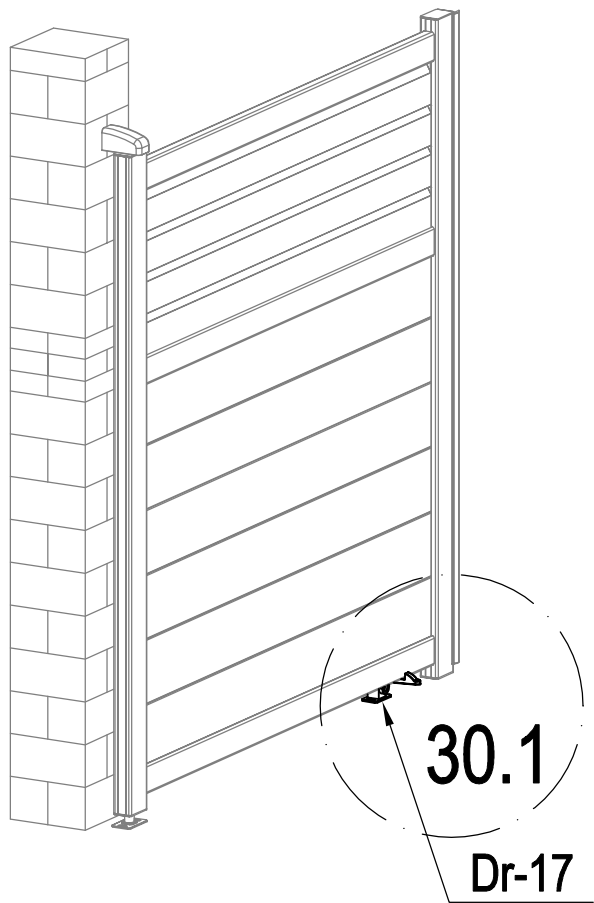



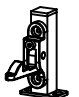
	Dr-15	2
	Dr-31	4



	Dr-16	1
	SR-C34	3
	SR-C35	3





	SR-C32	4
	Dr-17	2