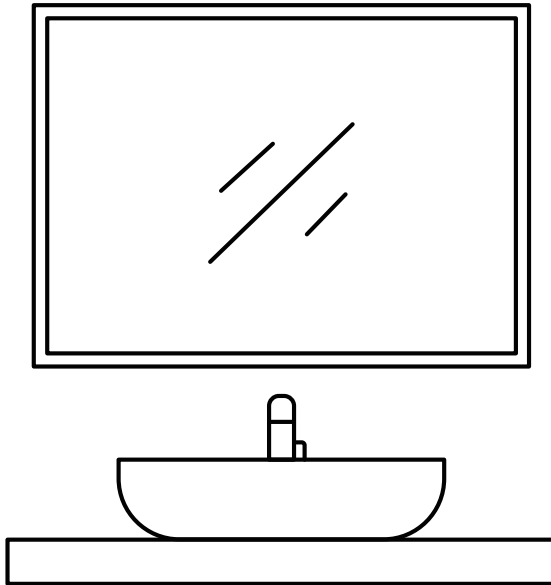


EMKE

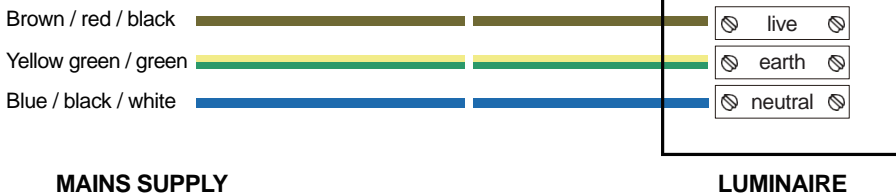


Anleitung Instruction

für Spiegel mit LED Beleuchtung
for Mirrors with LED light

Notes: In order to use the product safely and properly, the mirror must be connected to the wires and the power supply that conform the IEE Wiring Regulations. This product is suitable for indoor use only. Make sure all the electrical power has been completely switched off before starting installation work. The installation must be executed by a professional electrician. The wrong installation may lead to product damage or / and personal injury.

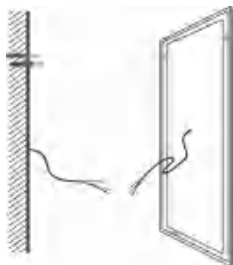
Wiring diagram for input terminal



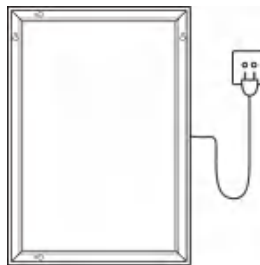
Warning: The Earthing system is designed in this mirror and the earth wire needs be connected to protect you from an electric shock.

If the external flexible cable or cord of this luminaire is damaged, it shall be exclusively replaced by the manufacturer or his service agent or a similar qualified person in order to avoid a hazard.

Connection method

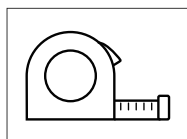


Wire buried wall type

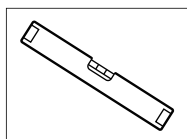


Wall plug

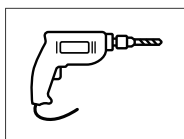
Installation Tools (as shown below)



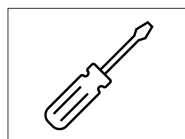
Tape Measure



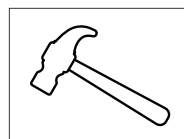
Spirit Level



Electric Drill

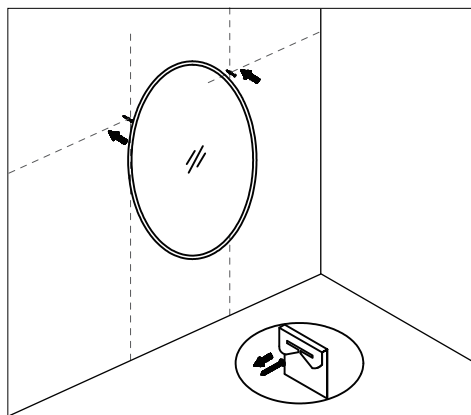
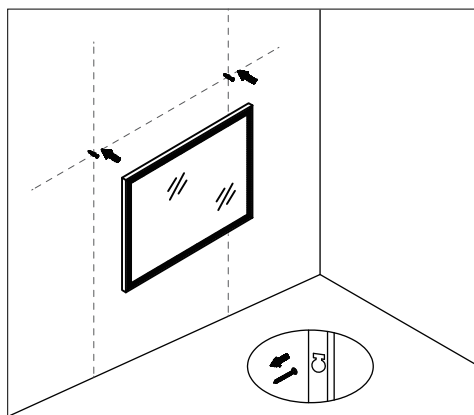
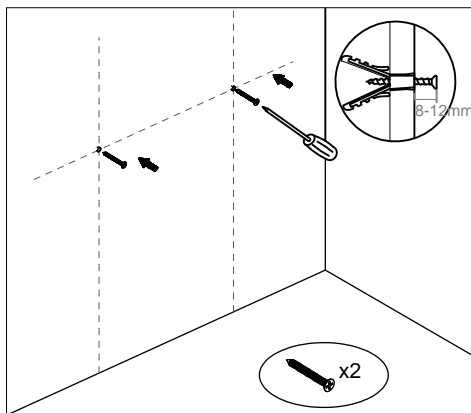
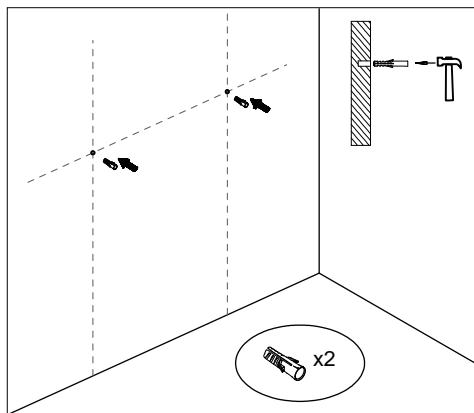
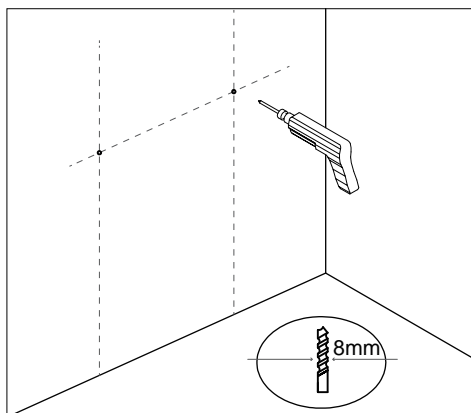
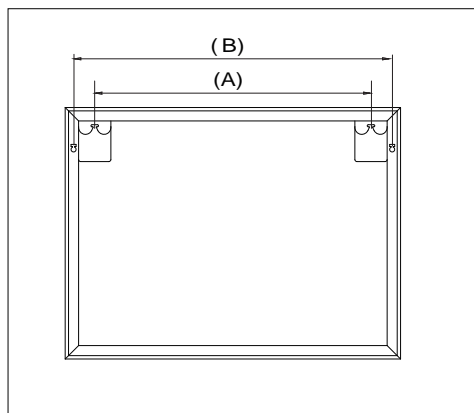


Screwdriver

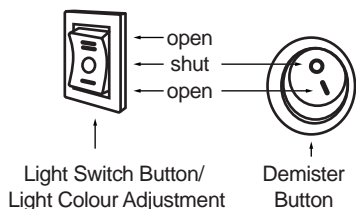


Hammer

Installation steps



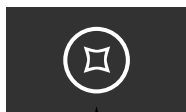
Model 1



1. Push the light button up to switch on the warm LED light and press it down to switch on the cool LED light. Push the button in the middle to switch the LED light off.
2. Press the demister button up/down to switch the anti-fog function on/off.

Model 2

for T/TD/TDS/LTD series

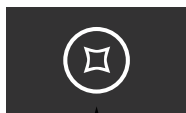


Light Switch/Brightness Adjustment

1. When the mirror connected to the power successfully, the switch button will light up blue. When the function is switched on, the button light turns to white.
2. Touch the light switch button to switch the LED light on/off.
3. For the mirror with demister function, the demister pad will turn on/off automatically when the LED light is on/off.
4. For the mirror with dimmer light function, long hold the switch button to adjust the light brightness.
5. Energy saving: The mirror will be automatically switched off after being on stand by for 3 hours.

Model 3

for K/KD series



Light Switch/ Light Colour & Brightness Adjustment

1. When the mirror connected to the power successfully, the switch button will light up blue. When the function is switched on, the button light turns to white.
2. Touch the light switch to switch on the LED light, touch again to change the light colour, touch again to switch off.
3. Long hold the light switch button to adjust the brightness.
4. For the mirror with demister function, demister pad will turn on/off automatically when the LED light is on/off.
5. Energy saving: The mirror will be automatically switched off after being on stand by for 3 hours.

Model 4



- ① Bluetooth
- ② Light Switch/Brightness Adjustment (or Demister)

1. When the mirror connected to the power successfully, the switch button will light up blue. When the function is switched on, the button light turns to white.
2. Touch the light switch button to switch the LED light on/off.
3. Long press the light switch button to adjust the brightness.
4. Touch the Bluetooth button to switch the Bluetooth function on and off. Search for **SG-MUSIC** on your device to pair.
5. The demister pad will turn on/off automatically when the LED light is on/off.
6. Energy saving: The mirror will be automatically switched off after being on stand by for 3 hours

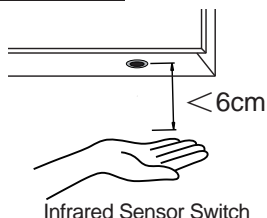
Model 5



- ① Bluetooth
- ② Demister/ Time Setting
- ③ Light Switch/ Light Colour & Brightness Adjustment

1. When the mirror connected to the power successfully, the switch button will light up blue. When the function is switched on, the button light turns to white.
2. Touch the light switch to switch on the LED light, touch again to change the light colour, touch again to switch off.
3. Long hold the switch button to adjust the brightness.
4. Touch the demister button to switch on/off the anti-fog function.
5. Reset the Time and Date:
 - 1) Long hold button ② for 3 seconds until the year number starts flashing. Touch button ② or ① to increase or decrease the number to the correct year.
 - 2) Long hold button ② to reset the month and day. When the month and day number start flashing, touch button ② or button ① to increase or decrease the number to the correct month and day.
 - 3) Repeat step 2) to reset the minute and hour accordingly.
 - 4) Long hold button ② again or don't do any operation for 5 seconds until the number stops flashing to exit the time setting.
6. Touch the Bluetooth button to switch the Bluetooth function on and off. Search for **SG-MUSIC** on your device to pair.

Model 6



1. Gently wave your hand underneath the sensor (within 6 cm) to switch the light on and off.
2. For the mirror with demister function, the demister pad will turn on/off automatically when the LED light is on/off.

Please note:

The sensor must be placed at least 35 cm away from any objects (such as faucet, sink or wall) to avoid any interference. For the best result, please keep the sensor detection area as clear as possible.

Model 7



- ① Light Switch ② Light Colour & Brightness Adjustment

1. When the mirror connected to the power successfully, the switch button will light up blue. When the function is switched on, the button light turns to white.
2. Touch the light switch button to switch the LED light on and off.
3. When the LED light is on, touch the M button to change the light colour.
4. When the LED light is on, long hold the M Button to adjust the light brightness.
5. For the mirror with demister function, the demister pad will turn on/off automatically when the LED light is on/off.
6. Energy saving: The mirror will be automatically switched off after being on stand by for 3 hours.

Model 8



- ① Demister ② Light Colour & Brightness Adjustment ③ Light Switch

1. When the mirror connected to the power successfully, the switch button will light up blue. When the function is switched on, the button light turns to white.
2. Touch the light switch to switch on/off the LED light and M button.
3. When the LED light is on, touch the M button to change the light colour.
4. When the LED light is on, long hold the M button to adjust the light brightness.
5. Touch the demister button to switch on/off the anti-fog function.
6. Energy saving: The mirror will be automatically switched off after being on stand by for 3 hours.

Model 9

for TDZ series



① Light Switch/ Brightness & Time Adjustment

② Demister/ Time setting

1. When the mirror connected to the power successfully, the switch button will light up blue. When the function is switched on, the button light turns to white.
2. Touch the light switch button to switch the LED light on/off.
3. When the LED light is on, long hold the light switch to adjust the light brightness.
4. Touch the demister button to switch on/off the anti-fog function.
5. Reset the Time and Date:
 - 1) Long hold the time setting button until the year number starts flashing. Touch the light switch to increase the number to the correct year.
 - 2) Touch the time setting button again until the month/day number start flashing, touch the light switch to increase the number to the correct month/day.
 - 3) Repeat step 2) to reset the minute and hour accordingly.
 - 4) Touch the time setting button again or don't do any operation for 5 seconds until the number stop flashing to exit the time setting.
6. Energy saving: The mirror will be automatically switched off after being on stand by for 3 hours.

Model 10

for KDZ series



① Light Switch/ Light Colour & Brightness Adjustment/ Time Adjustment

② Demister & Time Setting

1. When the mirror connected to the power successfully, the switch button will light up blue. When the function is switched on, the button light turns to white.
2. Touch the light switch to switch on the LED light, touch again to change the light colour, touch again to switch off.
3. When the LED light is on, long hold the light switch to adjust the light brightness.
4. Touch the demister button to switch on/off the anti-fog function.
5. Reset the Time and Date:
 - 1) Long hold the time setting button until the year number starts flashing. Touch the light switch to increase the number to the correct year.
 - 2) Touch the time setting button again until the month/day number start flashing, touch the light switch to increase the number to the correct month/day.
 - 3) Repeat step 2) to reset the minute and hour accordingly.
 - 4) Touch the time setting button again or don't do any operation for 5 seconds until the number stop flashing to exit the time setting.
6. Energy saving: The mirror will be automatically switched off after being on stand by for 3 hours.

Model 11

for TZ series



① Time Setting

② Light Switch/ Brightness & Time Adjustment

1. When the mirror connected to the power successfully, the switch button will light up blue. When the function is switched on, the button light turns to white.
2. Touch the light switch button to switch on/off the LED light.
3. Long hold the light switch button to adjust the brightness.
4. Reset the Time and Date:
 - 1) Long hold the time setting button until the year number starts flashing. Touch the light switch to increase the number to the correct year.
 - 2) Touch the time setting button again until the month/day number start flashing, touch the light switch to increase the number to the correct month/day.
 - 3) Repeat step 2) to reset the minute and hour accordingly.
 - 4) Touch the time setting button again or don't do any operation for 5 seconds until the number stop flashing to exit the time setting.
5. Energy saving: The mirror will be automatically switched off after being on stand by for 3 hours.

Model 12

for KZ series



① Time Setting

② Light Switch/ Light Colour, Brightness & Time Adjustment

1. When the mirror connected to the power successfully, the switch button will light up blue. When the function is switched on, the button light turns to white.
2. Touch the light switch to switch on the LED light, touch again to change the light colour, touch again to switch off.
3. When the LED light is on, long hold the light switch to adjust the light brightness.
4. Reset the Time and Date:
 - 1) Long hold the time setting button until the year number starts flashing. Touch the light switch to increase the number to the correct year.
 - 2) Touch the time setting button again until the month/day number start flashing, touch the light switch to increase the number to the correct month/day.
 - 3) Repeat step 2) to reset the minute and hour accordingly.
 - 4) Touch the time setting button again or don't do any operation for 5 seconds until the number stop flashing to exit the time setting.
5. Energy saving: The mirror will be automatically switched off after being on stand by for 3 hours.

Model 13



- ① Demister
- ② Light Switch/ Colours & Brightness Adjustment

1. When the mirror connected to the power successfully, the switch button will light up blue. When the function is switched on, the button light turns to white.
2. Touch the light switch button to switch on/off the LED light.
3. For the mirror with colour changing function, touch the light switch button again to change the light colours, then touch again to switch off.
4. When the LED light is on, long hold the light switch to adjust the light brightness.
5. Touch the demister button to switch on/off the anti-fog function.
6. Energy saving: The mirror will be automatically switched off after being on stand by for 3 hours
7. Memory: Save the last setting when light off.

Model 14



- ③ Bluetooth
- ② Demister
- ① Light Switch/Colours Changing/ Brightness Adjustment

1. When the mirror connected to the power successfully, the switch button will light up blue. When the function is switched on, the button light turns to white.
2. Touch the light switch to switch on the LED light, touch again to change the light colours, touch again to switch off.
3. When the LED light is on, long hold the light switch to adjust the light brightness.
4. Touch the demister button to switch on/off the anti-fog function.
5. Touch the Bluetooth Button to switch on/off the Bluetooth function. Search for SG-MUSIC on your device to pair.
6. Energy saving: The mirror will be automatically switch ed off after being on stand by for 3 hours.
7. Memory: Save the last setting when light off.

Model 15



- Light Switch/Colours Changing/ Brightness Adjustment/Demister

1. When the mirror connected to the power successfully, the switch button will light up blue. When the function is switched on, the button light turns to white.
2. Touch the light switch to switch on the LED light, touch again to change the light colours, touch again to switch off.
3. When the LED light is on, long hold the light switch to adjust the light brightness.
4. For the mirror with demister function, the demister pad will turn on/off automatically when the LED light is on/off.
5. Energy saving: The mirror will be automatically switch ed off after being on stand by for 3 hours.
6. Memory: Save the last setting when light off.



Care & maintenance

NOTE: Use warm soapy water and a soft, damp, lint-free cloth to clean the mirror. Wipe it dry with another clean cloth. Glass cleaner can be used on the mirror surface when required. Avoid scourers, abrasives and chemical cleaners as they can damage the glass and the frame.

In hard water areas, limescale may deposit on the glass. Regular cleaning will minimize this problem. If this build-up becomes increasingly difficult to remove, apply a small amount of white vinegar on the area.

- ✓ Do not attempt to cut the glass.
- ✓ Do not hit the glass with hard or sharp objectives.
- ✓ To reduce the risk of strangulation the flexible wiring connected to this luminaire shall be effectively fixed to the wall if the wiring is within arm's reach

For non-user replaceable light sources:

The light source contained in this luminaire shall only be replaced by the manufacturer or his service agent or a similar qualified person.

Shaver socket maximum current outlet: 0.5A

Operating Frequency band: 2402-2480 MHz

Maximum radio-frequency power transmitted: 8.26 dBm

Achtung: um die normale Anwendung vom Produkt zu garantieren, muss die Montage durch fachliche Elektrotechniker durchgeführt werden. **Den Stromkreis ausschalten. Mit dem Klemmepult die Produktdreiader im Draußen und die reservierten Dreiader an der Wand verbinden** .Eine falsche Montage wird zur Beschädigung vom Produkt oder zur persönlichen Sicherheit führen.

* **Dieses Produkt ist nur geeignet für Montage an einer Massivwand usw. im Raum.**

Anschlussplan für Eingangsklemme



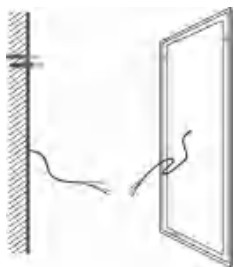
NETZVERSORGUNG

LEUCHE

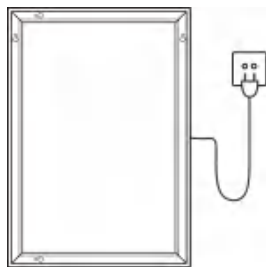
Warnung: Das Erdungssystem ist in diesem Spiegel ausgelegt und das Erdungskabel muss angeschlossen werden.

Wenn die externe flexible Leitung oder das Kabel dieser Leuchte beschädigt ist, muss sie/es ausschließlich durch den Hersteller oder seinen Kundendienst oder eine ähnlich qualifizierte Person ersetzt werden, um eine Gefährdung zu vermeiden.

Verbindungsmethode

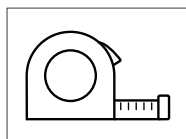


Typ der versenkten Wand

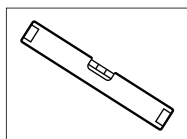


Wandstecker

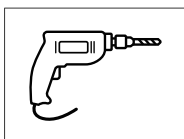
Installationswerkzeuge (wie unten gezeigt)



Maßband



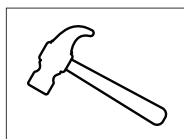
Wasserwaage



Elektrische
Bohrmaschine

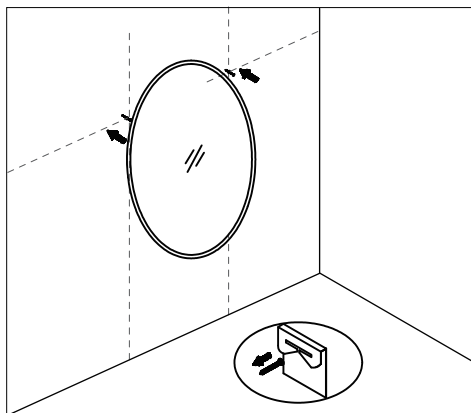
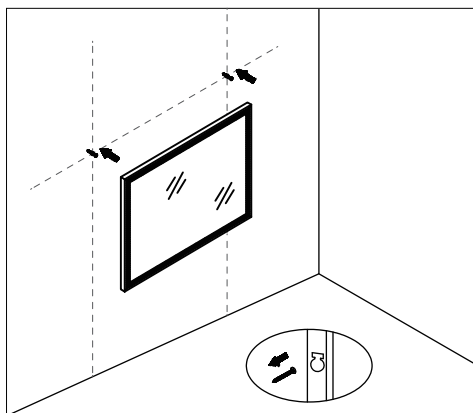
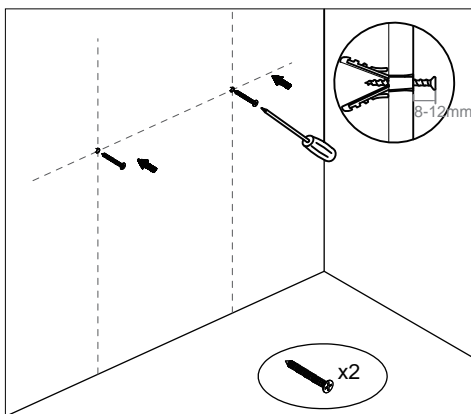
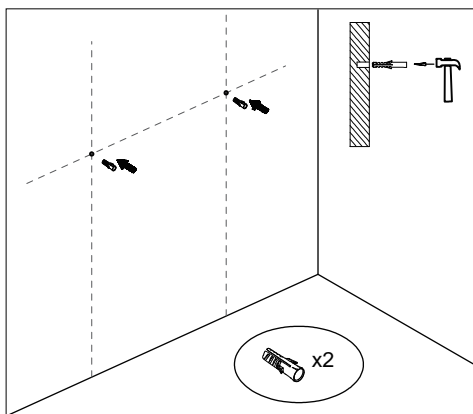
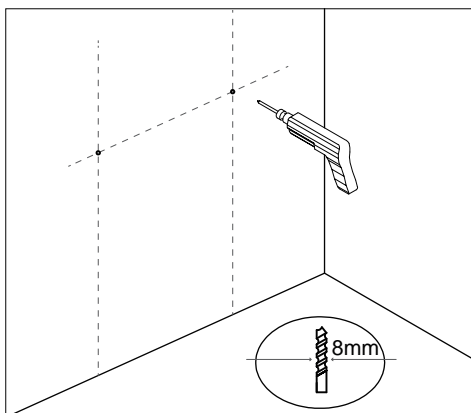
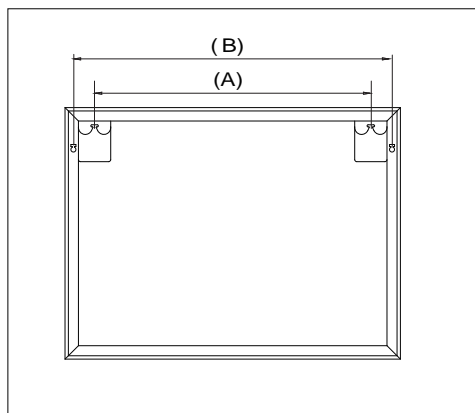


Schraubenzieher

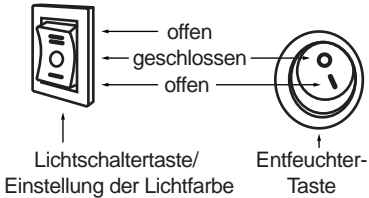


Hammer

Installationsschritte



Modell 1



1. Drücken Sie die Lichttaste nach oben, um das warme LED-Licht einzuschalten, und drücken Sie sie nach unten, um das kühle LED-Licht einzuschalten. Drücken Sie den Knopf in der Mitte, um das LED-Licht auszuschalten.
2. Drücken Sie die Demister-Taste nach oben/unten, um die Anti-Beschlag-Funktion ein-/auszuschalten.

Modell 2

für T/TD/TDS/LTD Serie



1. Wenn der Spiegel erfolgreich an das Stromnetz angeschlossen ist, leuchtet der Schalterknopf blau. Wenn die Funktion eingeschaltet ist, leuchtet die Taste weiß auf.
2. Berühren Sie die Lichtschalttaste, um das LED-Licht ein-/auszuschalten.
3. Bei Spiegeln mit Demister-Funktion schaltet sich das Demister-Pad automatisch ein/aus, wenn das LED-Licht ein/aus ist.
4. Bei Spiegeln mit Dimmerfunktion halten Sie die Taste lange gedrückt, um die Helligkeit des Lichts einzustellen.
5. Energiesparend: Der Spiegel schaltet sich automatisch aus, wenn er 3 Stunden lang im Standby-Modus ist.

Modell 3

für K/KD Serie



1. Wenn der Spiegel erfolgreich an das Stromnetz angeschlossen ist, leuchtet der Schaltknopf blau. Wenn die Funktion eingeschaltet ist, leuchtet die Taste weiß.
2. Berühren Sie den Lichtschalter, um das LED-Licht einzuschalten, berühren Sie ihn erneut, um die Lichtfarbe zu ändern, berühren Sie ihn erneut, um ihn auszuschalten.
3. Halten Sie die Lichtschaltertaste lange gedrückt, um die Helligkeit einzustellen.
4. Bei Spiegeln mit Demister-Funktion schaltet sich das Demister-Pad automatisch ein/aus, wenn das LED-Licht an/aus ist.
5. Energiesparend: Der Spiegel schaltet sich automatisch aus, wenn er 3 Stunden lang im Standby-Modus ist.

Modell 4



- ① Bluetooth
- ② Lichtschalter & Helligkeitsanpassung

1. Wenn der Spiegel erfolgreich an das Stromnetz angeschlossen ist, leuchtet der Schaltknopf blau. Wenn die Funktion eingeschaltet ist, leuchtet die Taste weiß.
2. Berühren Sie die Lichtschalttaste, um das LED-Licht ein- und auszuschalten.
3. Drücken Sie lange auf die Lichtschaltertaste, um die Helligkeit einzustellen.
4. Berühren Sie die Bluetooth-Taste, um die Bluetooth-Funktion ein- und auszuschalten. Suchen Sie auf Ihrem Gerät nach SG-MUSIC, um es zu koppeln.
5. Das Demisterpad schaltet sich automatisch ein/aus, wenn die LED-Leuchte an/aus ist.
6. Energiesparend: Der Spiegel schaltet sich automatisch aus, wenn er 3 Stunden lang im Standby-Modus ist.

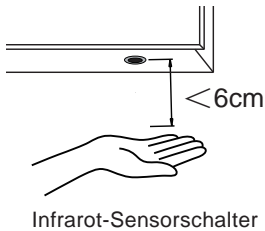
Modell 5



- ① Bluetooth
- ② Demister/ Zeiteinstellung
- ③ Lichtschalter/ Einstellung von Lichtfarbe und Helligkeit

1. Wenn der Spiegel erfolgreich an das Stromnetz angeschlossen ist, leuchtet der Schaltknopf blau. Wenn die Funktion eingeschaltet ist, leuchtet die Taste weiß.
2. Berühren Sie den Lichtschalter, um das LED-Licht einzuschalten, berühren Sie ihn erneut, um die Lichtfarbe zu ändern, berühren Sie ihn erneut, um ihn auszuschalten.
3. Halten Sie die Taste lange gedrückt, um die Helligkeit einzustellen.
4. Berühren Sie die Demister-Taste, um die Anti-Beschlag-Funktion ein-/auszuschalten.
5. Zurücksetzen von Uhrzeit und Datum:
 - 1) Halten Sie die Taste ② 3 Sekunden lang gedrückt, bis die Jahreszahl zu blinken beginnt. Drücken Sie die Tasten ② oder ①, um die Jahreszahl auf das richtige Jahr zu erhöhen oder zu verringern.
 - 2) Halten Sie die Taste ② lange gedrückt, um den Monat und den Tag zurückzusetzen. Wenn die Monats- und Tageszahl zu blinken beginnt, berühren Sie die Taste ② oder die Taste ①, um die Zahl auf den richtigen Monat und Tag zu erhöhen oder zu verringern.
 - 3) Wiederholen Sie Schritt 2), um die Minuten und Stunden entsprechend einzustellen.
 - 4) Halten Sie die Taste ② erneut lange gedrückt oder führen Sie 5 Sekunden lang keine Bedienung aus, bis die Zahl aufhört zu blinken, um die Zeiteinstellung zu beenden.
6. Berühren Sie die Bluetooth-Taste, um die Bluetooth-Funktion ein- und auszuschalten. Suchen Sie auf Ihrem Gerät nach dem SG-MUSIC, um es zu koppeln.

Modell 6



1. Bewegen Sie Ihre Hand sanft unter dem Sensor (innerhalb von 6 cm), um das Licht ein- und auszuschalten.
2. Bei Spiegeln mit Demister-Funktion schaltet sich das Demister-Pad automatisch ein/aus, wenn das LED-Licht ein/aus ist.

Bitte beachten Sie:

Der Sensor muss mindestens 35 cm von Gegenständen (z. B. Wasserhahn, Waschbecken oder Wand) entfernt angebracht werden, um Störungen zu vermeiden. Um das beste Ergebnis zu erzielen, halten Sie den Erfassungsbereich des Sensors bitte so frei wie möglich.

Modell 7



- ① Lichtschalter ② Einstellung von Lichtfarbe und Helligkeit

1. Wenn der Spiegel erfolgreich an das Stromnetz angeschlossen ist, leuchtet der Schalterknopf blau. Wenn die Funktion eingeschaltet ist, leuchtet die Taste weiß auf.
2. Berühren Sie die Lichtschalttaste, um das LED-Licht ein- und auszuschalten.
3. Wenn das LED-Licht eingeschaltet ist, berühren Sie die Taste M, um die Lichtfarbe zu ändern.
4. Wenn das LED-Licht eingeschaltet ist, halten Sie die M-Taste lange gedrückt, um die Helligkeit des Lichts einzustellen.
5. Bei Spiegeln mit Demister-Funktion schaltet sich das Demister-Pad automatisch ein/aus, wenn das LED-Licht an/aus ist.
6. Energiesparend: Der Spiegel schaltet sich automatisch aus, wenn er 3 Stunden lang im Standby-Modus ist.

Modell 8

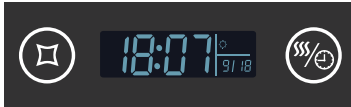


- ① Demister ③ Lichtschalter
- ② Einstellung von Lichtfarbe und Helligkeit

1. Wenn der Spiegel erfolgreich an das Stromnetz angeschlossen ist, leuchtet der Schaltknopf blau. Wenn die Funktion eingeschaltet ist, leuchtet die Taste weiß auf.
2. Berühren Sie den Lichtschalter, um das LED-Licht und die M-Taste ein- und auszuschalten.
3. Wenn das LED-Licht eingeschaltet ist, berühren Sie die Taste M, um die Lichtfarbe zu ändern.
4. Wenn das LED-Licht eingeschaltet ist, halten Sie die Taste M lange gedrückt, um die Helligkeit des Lichts einzustellen.
5. Berühren Sie die Demister-Taste, um die Anti-Beschlag-Funktion ein- bzw. auszuschalten.
6. Energiesparend: Der Spiegel schaltet sich automatisch aus, wenn er 3 Stunden lang im Standby-Modus ist.

Modell 9

für TDZ Serie



- ① Lichtschalter/ Helligkeit & Zeiteinstellung
- ② Demister/ Zeiteinstellung

1. Wenn der Spiegel erfolgreich an das Stromnetz angeschlossen ist, leuchtet der Schaltknopf blau. Wenn die Funktion eingeschaltet ist, leuchtet die Taste weiß.
2. Berühren Sie die Lichtschalttaste, um das LED-Licht ein-/auszuschalten.
3. Wenn das LED-Licht eingeschaltet ist, halten Sie den Lichtschalter lange gedrückt, um die Helligkeit einzustellen.
4. Berühren Sie die Demister-Taste, um die Anti-Beschlag-Funktion ein- bzw. auszuschalten.
5. Uhrzeit und Datum zurücksetzen:
 - 1) Halten Sie die Zeiteinstelltaste lange gedrückt, bis die Jahreszahl zu blinken beginnt. Berühren Sie den Lichtschalter, um die Zahl auf das richtige Jahr zu erhöhen.
 - 2) Berühren Sie die Zeiteinstelltaste erneut, bis die Monats-/Tagzahl zu blinken beginnt. Berühren Sie den Lichtschalter, um die Zahl auf den richtigen Monat/Tag zu erhöhen.
 - 3) Wiederholen Sie Schritt 2), um die Minuten und Stunden entsprechend einzustellen.
 - 4) Berühren Sie die Zeiteinstelltaste erneut oder führen Sie 5 Sekunden lang keine Bedienung aus, bis die Zahl nicht mehr blinkt, um die Zeiteinstellung zu beenden.
6. Energiesparen: Der Spiegel schaltet sich automatisch aus, wenn er 3 Stunden lang im Standby-Modus war.

Modell 10

für KDZ Serie



- ① Lichtschalter/ Einstellung von Lichtfarbe und Helligkeit/ Zeiteinstellung
- ② Entfeuchter & Zeiteinstellung

1. Wenn der Spiegel erfolgreich an das Stromnetz angeschlossen ist, leuchtet der Schaltknopf blau. Wenn die Funktion eingeschaltet ist, leuchtet die Taste weiß.
2. Berühren Sie den Lichtschalter, um das LED-Licht einzuschalten, berühren Sie ihn erneut, um die Lichtfarbe zu ändern, berühren Sie ihn erneut, um ihn auszuschalten.
3. Wenn das LED-Licht eingeschaltet ist, halten Sie den Lichtschalter lange gedrückt, um die Helligkeit des Lichts einzustellen.
4. Berühren Sie die Demister-Taste, um die Anti-Beschlag-Funktion ein- bzw. auszuschalten.
5. Uhrzeit und Datum zurücksetzen:
 - 1) Halten Sie die Zeiteinstelltaste lange gedrückt, bis die Jahreszahl zu blinken beginnt. Berühren Sie den Lichtschalter, um die Zahl auf das richtige Jahr zu erhöhen.
 - 2) Berühren Sie die Zeiteinstelltaste erneut, bis die Monats-/Tageszahl zu blinken beginnt. Berühren Sie den Lichtschalter, um die Zahl auf den richtigen Monat/Tag zu erhöhen.
 - 3) Wiederholen Sie Schritt 2), um die Minuten und Stunden entsprechend einzustellen.
 - 4) Berühren Sie die Zeiteinstelltaste erneut oder führen Sie 5 Sekunden lang keine Bedienung aus, bis die Zahl nicht mehr blinkt, um die Zeiteinstellung zu beenden.
6. Energiesparen: Der Spiegel schaltet sich automatisch aus, wenn er 3 Stunden lang im Standby-Modus war.

Modell 11

für TZ Serie



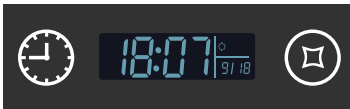
① Zeiteinstellung

② Lichtschalter/ Helligkeit & Zeiteinstellung

1. Wenn der Spiegel erfolgreich an das Stromnetz angeschlossen ist, leuchtet der Schaltknopf blau. Wenn die Funktion eingeschaltet ist, leuchtet die Taste weiß.
2. Berühren Sie den Lichtschalter, um das LED-Licht einzuschalten, berühren Sie ihn erneut, um die Lichtfarbe zu ändern, berühren Sie ihn erneut, um ihn auszuschalten.
3. Wenn das LED-Licht eingeschaltet ist, halten Sie den Lichtschalter lange gedrückt, um die Helligkeit des Lichts einzustellen.
4. Uhrzeit und Datum zurücksetzen:
 - 1) Halten Sie die Zeiteinstelltaste lange gedrückt, bis die Jahreszahl zu blinken beginnt. Berühren Sie den Lichtschalter, um die Zahl auf das richtige Jahr zu erhöhen.
 - 2) Berühren Sie die Zeiteinstelltaste erneut, bis die Monats-/ Tageszahl zu blinken beginnt. Berühren Sie den Lichtschalter, um die Zahl auf den richtigen Monat/Tag zu erhöhen.
 - 3) Wiederholen Sie Schritt 2), um die Minuten und Stunden entsprechend einzustellen.
 - 4) Berühren Sie die Zeiteinstelltaste erneut oder führen Sie 5 Sekunden lang keine Bedienung aus, bis die Zahl nicht mehr blinkt, um die Zeiteinstellung zu beenden.
5. Energiesparen: Der Spiegel schaltet sich automatisch aus, wenn er 3 Stunden lang im Standby-Modus war.

Modell 12

für KZ Serie



① Zeiteinstellung

② Lichtschalter/ Einstellung von Lichtfarbe, Helligkeit und Zeit

1. Wenn der Spiegel erfolgreich an das Stromnetz angeschlossen ist, leuchtet der Schaltknopf blau. Wenn die Funktion eingeschaltet ist, leuchtet die Taste weiß.
2. Berühren Sie den Lichtschalter, um das LED-Licht einzuschalten, berühren Sie ihn erneut, um die Lichtfarbe zu ändern, berühren Sie ihn erneut, um ihn auszuschalten.
3. Wenn das LED-Licht eingeschaltet ist, halten Sie den Lichtschalter lange gedrückt, um die Helligkeit des Lichts einzustellen.
4. Uhrzeit und Datum zurücksetzen:
 - 1) Halten Sie die Zeiteinstelltaste lange gedrückt, bis die Jahreszahl zu blinken beginnt. Berühren Sie den Lichtschalter, um die Zahl auf das richtige Jahr zu erhöhen.
 - 2) Berühren Sie die Zeiteinstelltaste erneut, bis die Monats-/ Tageszahl zu blinken beginnt. Berühren Sie den Lichtschalter, um die Zahl auf den richtigen Monat/Tag zu erhöhen.
 - 3) Wiederholen Sie Schritt 2), um die Minuten und Stunden entsprechend einzustellen.
 - 4) Berühren Sie die Zeiteinstelltaste erneut oder führen Sie 5 Sekunden lang keine Bedienung aus, bis die Zahl nicht mehr blinkt, um die Zeiteinstellung zu beenden.
5. Energiesparen: Der Spiegel schaltet sich automatisch aus, wenn er 3 Stunden lang im Standby-Modus war.

Modell 13



- ① Entfeuchter
- ② Lichtschalter/ Farben und Helligkeitseinstellung

1. Wenn der Spiegel erfolgreich an das Stromnetz angeschlossen ist, leuchtet der Schalterknopf blau. Wenn die Funktion eingeschaltet ist, leuchtet die Taste weiß auf.
2. Berühren Sie die Lichtschalttaste, um das LED-Licht ein- und auszuschalten.
3. Bei Spiegeln mit Farbwechselfunktion berühren Sie die Lichtschalttaste erneut, um die Lichtfarben zu wechseln, und berühren Sie sie dann erneut, um sie auszuschalten.
4. Wenn das LED-Licht eingeschaltet ist, halten Sie den Lichtschalter lange gedrückt, um die Helligkeit einzustellen.
5. Berühren Sie die Demister-Taste, um die Anti-Beschlag-Funktion ein- bzw. auszuschalten.
6. Energiesparend: Der Spiegel schaltet sich automatisch aus, nachdem er 3 Stunden lang im Standby-Modus war.
7. Speicher: Speichern der letzten Einstellung bei ausgeschaltetem Licht.

Modell 14



- ③ Bluetooth
- ② Entfeuchter
- ① Lichtschalter/ Farben und Helligkeitseinstellung

1. Wenn der Spiegel erfolgreich an das Stromnetz angeschlossen ist, leuchtet der Schaltknopf blau. Wenn die Funktion eingeschaltet ist, leuchtet die Taste weiß.
2. Berühren Sie den Lichtschalter, um das LED-Licht einzuschalten, berühren Sie ihn erneut, um die Lichtfarben zu ändern, berühren Sie ihn erneut, um ihn auszuschalten.
3. Wenn das LED-Licht eingeschaltet ist, halten Sie den Lichtschalter lange gedrückt, um die Helligkeit des Lichts einzustellen.
4. Berühren Sie die Demister-Taste, um die Anti-Beschlag-Funktion ein- und auszuschalten.
5. Berühren Sie die Bluetooth-Taste, um die Bluetooth-Funktion ein- oder auszuschalten. Suchen Sie auf Ihrem Gerät nach SG-MUSIC, um es zu koppeln.
6. Energiesparen: Der Spiegel schaltet sich automatisch aus, wenn er 3 Stunden lang im Standby-Modus war.
7. Speicher: Speichern der letzten Einstellung bei ausgeschaltetem Licht.

Modell 15



- ↑
Lichtschalter/ Einstellung von Farben und Helligkeit/ Demister

1. Wenn der Spiegel erfolgreich an das Stromnetz angeschlossen ist, leuchtet der Schalterknopf blau. Wenn die Funktion eingeschaltet ist, leuchtet die Taste weiß auf.
2. Berühren Sie den Lichtschalter, um das LED-Licht einzuschalten, berühren Sie ihn erneut, um die Lichtfarben zu ändern, berühren Sie ihn erneut, um ihn auszuschalten.
3. Wenn das LED-Licht eingeschaltet ist, halten Sie den Lichtschalter lange gedrückt, um die Helligkeit des Lichts einzustellen.
4. Bei Spiegeln mit Demister-Funktion schaltet sich das Demister-Pad automatisch ein/aus, wenn das LED-Licht an/aus ist.
5. Energiesparend: Der Spiegel schaltet sich automatisch aus, wenn er 3 Stunden lang im Standby-Modus ist.
6. Speicher: Speichern der letzten Einstellung bei ausgeschaltetem Licht.



Pflege & Wartung

HINWEIS: Verwenden Sie zum Reinigen des Spiegels warmes Seifenwasser und ein weiches, feuchtes, fusselfreies Tuch. Wischen Sie es trocken mitnoch ein sauberes Tuch. Glasreiniger kann bei Bedarf auf der Spiegeloberfläche verwendet werden. Scheuermittel vermeiden, Scheuermittel und chemische Reinigungsmittel, da diese das Glas und den Rahmen beschädigen können. In Gebieten mit hartem Wasser kann sich Kalk auf dem Glas ablagern. Eine regelmäßige Reinigung minimiert dieses Problem.

Wenn diese Ablagerungen immer schwieriger zu entfernen sind, tragen Sie eine kleine Menge weißen Essig auf die Stelle auf.

- Versuchen Sie nicht, das Glas zu schneiden.
- Schlagen Sie das Glas nicht mit harten oder scharfen Gegenständen.
- Um die Strangulierungsgefahr zu verringern, muss das flexible Kabel, das an diese Leuchte angeschlossen ist, wirksam an der Wand befestigt werden, wenn sich das Kabel in Reichweite der Arme befindet.

LED Licht wechseln:

Alle Lichtquelle, die in diesem Produkt enthalten, darf nur vom Hersteller oder einem Elektriker ausgetauscht werden.

Maximale Stromstärke der Rasiersteckdose: 0.5A

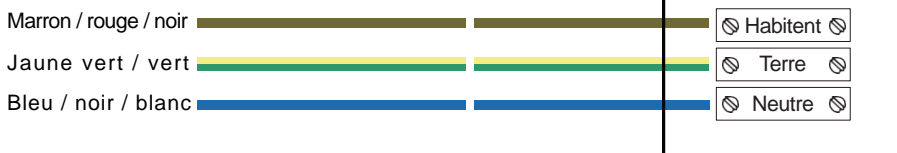
Betriebsfrequenzband: 2402-2480 MHz

Maximale übertragene Funkfrequenzleistung: 8.26 dBm

Remarques: Afin d'utiliser le produit en toute sécurité et correctement, le miroir doit être connecté aux fils et l'alimentation conforme aux réglementations de câblage IEE. **Assurez-vous que toute l'alimentation électrique a été complètement coupée.** Utilisation d'une boîte de jonction ou d'autres connecteurs de fils appropriés pour connecter les fils en fonction de l'alimentation principale ; l'installation doit être effectuée par un électricien professionnel. Une mauvaise installation peut entraîner des dommages au produit ou/et des blessures corporelles.

* Ce produit convient uniquement à une utilisation en intérieur.

Schéma de câblage pour borne d'entrée



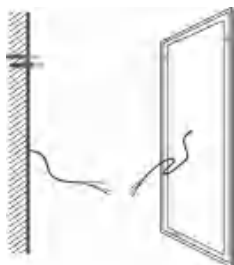
ALIMENTATION SECTEUR

LUMINAIRE

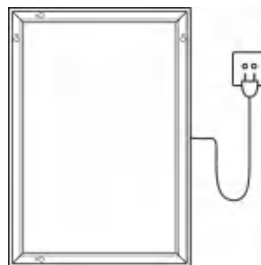
Avertissement : Le système de mise à la terre est conçu dans ce miroir et le fil de terre doit être connecté pour vous protéger d'un choc électrique.

Si le câble ou le cordon flexible externe de ce luminaire est endommagé, il doit être remplacé exclusivement par le fabricant ou son agent de service ou une personne qualifiée similaire afin d'éviter tout danger.

Méthode de connexion

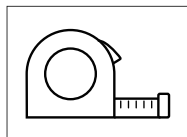


Type de mur enterré par fil

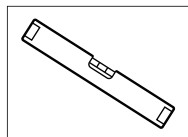


Prise murale

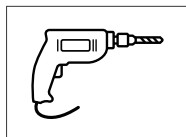
Outils d'installation (comme indiqué ci-dessous)



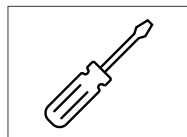
Mètre à ruban



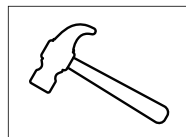
Niveau à bulle



Perceuse électrique

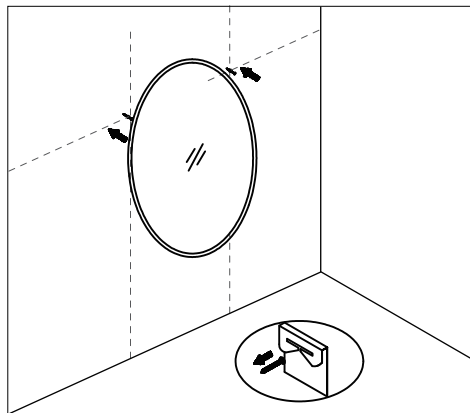
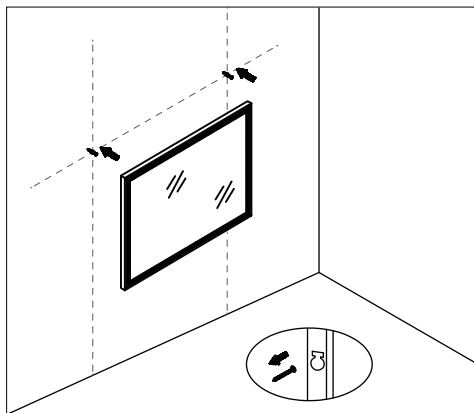
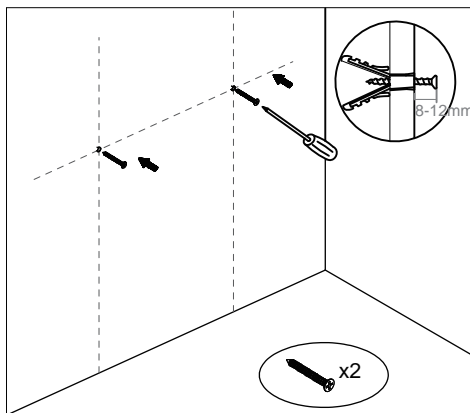
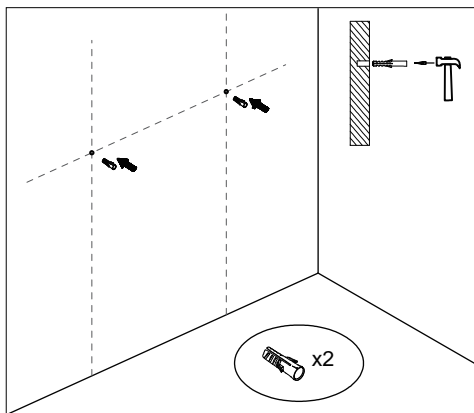
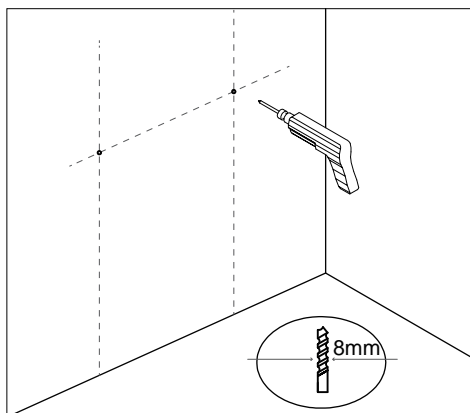
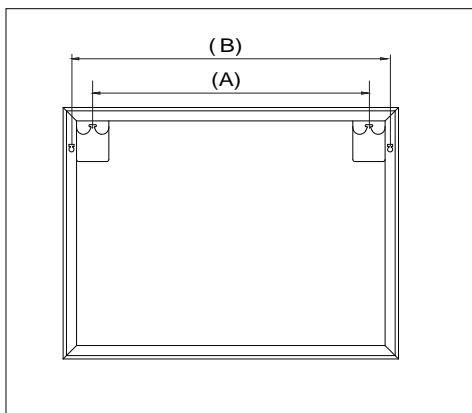


Tournevis

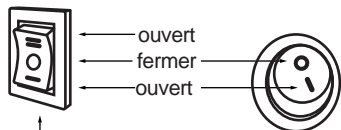


Marteau

Étapes d'installation



Modèle 1



Bouton de l'interrupteur d'éclairage/ Réglage de la couleur de l'éclairage

Bouton de désembuage

1. Appuyez sur le bouton de la lumière vers le haut pour allumer la lumière LED chaude et appuyez-le vers le bas pour allumer la lumière LED froide. Appuyez sur le bouton au milieu pour éteindre la lumière LED.
2. Appuyez sur le bouton désembueur vers le haut/bas pour activer/désactiver la fonction anti-buée.

Modèle 2

Pour les séries T/TD/TDS/LTD



Interrupteur d'éclairage/
Réglage de la luminosité

1. Lorsque le miroir est connecté avec succès à l'alimentation, le bouton de commutation s'allume en bleu. Lorsque la fonction est activée, le voyant du bouton devient blanc.
2. Touchez le bouton d'éclairage pour allumer/éteindre la lumière LED.
3. Pour les miroirs avec la fonction de désembuage, le film désembueur s'allumera/éteindra automatiquement lorsque la lumière LED est allumée/éteinte.
4. Pour le miroir avec fonction de variation de lumière, maintenez enfoncé le bouton de commutation pour ajuster la luminosité de la lumière.
5. Économie d'énergie : Le miroir s'éteint automatiquement après une période de veille de 3 heures.

Modèle 3

Pour les séries K/KD



Interrupteur de la lumière/ Réglage de la couleur et de la luminosité de la lumière

1. Lorsque le miroir est connecté avec succès à l'alimentation, le bouton de commutation s'allume en bleu. Lorsque la fonction est activée, le voyant du bouton devient blanc.
2. Appuyez sur l'interrupteur lumineux pour activer la lumière LED, appuyez à nouveau pour changer la couleur de la lumière, et appuyez une fois de plus pour l'éteindre.
3. Maintenez enfoncé le bouton de l'interrupteur pour ajuster la luminosité.
4. Pour les miroirs avec la fonction de désembuage, le film désembueur s'allumera/éteindra automatiquement lorsque la lumière LED est allumée/éteinte.
5. Économie d'énergie : Le miroir s'éteint automatiquement après une période de veille de 3 heures.

Modèle 4



- ① Bluetooth
- ② Interrupteur d'éclairage/Réglage de la luminosité(ou désembuage)

1. Lorsque le miroir est connecté avec succès à l'alimentation, le bouton de commutation s'allume en bleu. Lorsque la fonction est activée, le voyant du bouton devient blanc.
2. Touchez le bouton d'éclairage pour allumer/éteindre la lumière LED.
3. Appuyez enfoncé sur le bouton d'éclairage pour ajuster la luminosité.
4. Touchez le bouton Bluetooth pour activer/désactiver la fonction Bluetooth. Recherchez SG-MUSIC sur votre appareil pour l'appairer.
5. Le film désembueur s'allumera/éteindra automatiquement lorsque la lumière LED est allumée/éteinte.
6. Économie d'énergie : Le miroir s'éteint automatiquement après une période de veille de 3 heures.

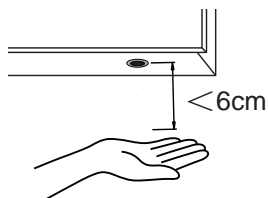
Modèle 5



- ① Bluetooth
- ② Désembuage/ Paramétrage de l'horloge
- ③ Interrupteur d'éclairage/ Réglage de la couleur et de la luminosité de l'éclairage

1. Lorsque le miroir est connecté avec succès à l'alimentation, le bouton de commutation s'allume en bleu. Lorsque la fonction est activée, le voyant du bouton devient blanc.
2. Appuyez sur l'interrupteur lumineux pour activer la lumière LED, appuyez à nouveau pour changer la couleur de la lumière, et appuyez une fois de plus pour l'éteindre.
3. Maintenez enfoncé le bouton de commutation pour ajuster la luminosité.
4. Touchez le bouton de désembuage pour activer/désactiver la fonction antibuée.
5. Réinitialisez l'heure et la date :
 - 1) Maintenez enfoncé le bouton ② pendant 3 secondes jusqu'à ce que le chiffre de l'année commence à clignoter. Utilisez ensuite le bouton ② ou le bouton ① pour ajuster le chiffre et sélectionner l'année correcte.
 - 2) Maintenez enfoncé le bouton ② pour réinitialiser le mois et le jour. Lorsque les chiffres du mois et du jour commencent à clignoter, utilisez le bouton ② ou le bouton ① pour augmenter ou diminuer les chiffres jusqu'à atteindre le mois et le jour corrects.
 - 3) Répétez l'étape 2) pour réinitialiser les minutes et les heures en conséquence.
 - 4) Appuyez à nouveau sur le bouton ② et maintenez-le enfoncé ou ne faites aucune opération pendant 5 secondes jusqu'à ce que les chiffres arrêtent de clignoter pour quitter le réglage de l'heure.
6. Touchez le bouton Bluetooth pour activer ou désactiver la fonction Bluetooth. Recherchez le SG-MUSIC sur votre appareil pour l'appairer.

Modèle 6



Interrupteur à capteur de mouvement infrarouge

1. Passez doucement votre main sous le capteur (à moins de 6 cm) pour allumer ou éteindre la lumière.
2. Pour les miroirs avec la fonction de désembuage, le film désembueur s'allumera/éteindra automatiquement lorsque la lumière LED est allumée/éteinte.

Remarque : le capteur doit être placé à au moins 35 cm de tout objet (tel qu'un robinet, un lavabo ou un mur, etc.) afin d'éviter toute interférence. Pour un effet optimal, veuillez maintenir à ce que la zone de détection du capteur soit aussi dégagée que possible.

Modèle 7



- ① Interrupteur d'éclairage
- ② Bouton de réglage de la couleur de la lumière et de la luminosité

1. Lorsque le miroir est connecté avec succès à l'alimentation, le bouton de commutation s'allume en bleu. Lorsque la fonction est activée, le voyant du bouton devient blanc.
2. Touchez le bouton d'éclairage pour allumer et éteindre la lumière LED.
3. Lorsque la lumière LED est allumée, touchez le bouton M pour ajuster la couleur de la lumière.
4. Lorsque la lumière LED est allumée, maintenez enfoncé le bouton M pour ajuster la luminosité de la lumière.
5. Pour le miroir avec fonction désembuage, le tampon désembuage s'allume ou s'éteint automatiquement lorsque la lumière LED s'allume ou s'éteint.
6. Économie d'énergie : Le miroir s'éteint automatiquement après une période de veille de 3 heures.

Modèle 8



- ① Désembuage
- ② Bouton de réglage de la couleur de la lumière et de la luminosité
- ③ Interrupteur d'éclairage

1. Lorsque le miroir est connecté avec succès à l'alimentation, le bouton de commutation s'allume en bleu. Lorsque la fonction est activée, le voyant du bouton devient blanc.
2. Touchez le bouton d'éclairage pour allumer/éteindre la lumière LED et le bouton M.
3. Lorsque la lumière LED est allumée, touchez le bouton M pour ajuster la couleur de la lumière.
4. Lorsque la lumière LED est allumée, maintenez enfoncé le bouton M pour ajuster la luminosité de la lumière.
5. Touchez le bouton désembueur pour activer/désactiver la fonction anti-buée.
6. Économie d'énergie : Le miroir s'éteint automatiquement après une période de veille de 3 heures.

Modèle 9

Pour les séries TDZ



- ① Interrupteur d'éclairage & réglage de la luminosité & paramétrage de l'horloge
- ② Interrupteur de désembuage et le paramétrage de l'horloge

1. Lorsque le miroir est connecté avec succès à l'alimentation, le bouton de commutation s'allume en bleu. Lorsque la fonction est activée, le voyant du bouton devient blanc.
2. Touchez le bouton d'éclairage pour allumer/éteindre la lumière LED.
3. Lorsque la lumière LED est allumée, maintenez enfoncé le bouton de l'interrupteur pour ajuster la luminosité.
4. Touchez le bouton de désembuage pour activer/désactiver la fonction anti-buée.
5. Réinitialisez l'heure et la date :
 - 1) Maintenez enfoncé le bouton de paramétrage de l'horloge jusqu'à ce que le chiffre de l'année commence à clignoter. Utilisez ensuite le bouton d'éclairage pour ajuster le chiffre et sélectionner l'année correcte.
 - 2) Appuyez à nouveau sur le bouton de paramétrage de l'horloge jusqu'à ce que le numéro du mois/jour commence à clignoter, appuyez sur le commutateur d'éclairage pour augmenter ou diminuer les chiffres jusqu'à atteindre le mois et le jour corrects.
 - 3) Répétez l'étape 2) pour réinitialiser les minutes et les heures en conséquence.
 - 4) Appuyez à nouveau sur le bouton de paramétrage de l'horloge et maintenez-le enfoncé ou ne faites aucune opération pendant 5 secondes jusqu'à ce que les chiffres arrêtent de clignoter pour quitter le réglage de l'heure.
6. Économie d'énergie : Le miroir s'éteint automatiquement après une période de veille de 3 heures.

Modèle 10

Pour les séries KDZ

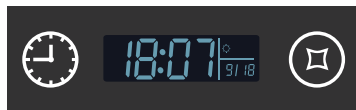


- ① Interrupteur d'éclairage & réglage de la luminosité & réglage de couleurs & paramétrage de l'horloge
- ② Interrupteur de désembuage et paramétrage de l'horloge

1. Lorsque le miroir est connecté à l'alimentation, le bouton s'allume en bleu. Lorsque la fonction est activée, le bouton devient blanc.
2. Touchez l'interrupteur pour allumer la lumière LED, touchez à nouveau pour changer la couleur de la lumière, touchez à nouveau pour éteindre.
3. Lorsque la lumière LED est allumée, maintenez l'interrupteur enfoncé pour régler la luminosité de la lumière.
4. Touchez le bouton de désembuage pour activer/désactiver la fonction antibuée.
5. Réinitialisez l'heure et la date :
 - 1) Maintenez enfoncé le bouton de paramétrage de l'horloge jusqu'à ce que le chiffre de l'année commence à clignoter. Utilisez ensuite le bouton d'éclairage pour ajuster le chiffre et sélectionner l'année correcte.
 - 2) Appuyez à nouveau sur le bouton de paramétrage de l'horloge jusqu'à ce que le numéro du mois/jour commence à clignoter, appuyez sur le commutateur d'éclairage pour augmenter ou diminuer les chiffres jusqu'à atteindre le mois et le jour corrects.
 - 3) Répétez l'étape 2) pour réinitialiser les minutes et les heures en conséquence.
 - 4) Appuyez à nouveau sur le bouton de paramétrage de l'horloge et maintenez-le enfoncé ou ne faites aucune opération pendant 5 secondes jusqu'à ce que les chiffres arrêtent de clignoter pour quitter le réglage de l'heure.
6. Économie d'énergie : Le miroir s'éteint automatiquement après une période de veille de 3 heures.

Modèle 11

Pour les séries TZ



- ① Paramétrage de l'horloge
- ② Interrupteur de lumière et réglage de la luminosité & Réglage de l'horloge

1. Lorsque le miroir est connecté avec succès à l'alimentation, le bouton de commutation s'allume en bleu. Lorsque la fonction est activée, le voyant du bouton devient blanc.
2. Touchez le bouton d'éclairage pour allumer/éteindre la lumière LED.
3. Lorsque la lumière LED est allumée, maintenez enfoncé le bouton de l'interrupteur pour ajuster la luminosité.
4. Réinitialisez l'heure et la date :
 - 1) Maintenez enfoncé le bouton de paramétrage de l'horloge jusqu'à ce que le chiffre de l'année commence à clignoter. Utilisez ensuite le bouton d'éclairage pour ajuster le chiffre et sélectionner l'année correcte.
 - 2) Appuyez à nouveau sur le bouton de paramétrage de l'horloge jusqu'à ce que le numéro du mois/jour commence à clignoter, appuyez sur le commutateur d'éclairage pour augmenter ou diminuer les chiffres jusqu'à atteindre le mois et le jour corrects.
 - 3) Répétez l'étape 2) pour réinitialiser les minutes et les heures en conséquence.
 - 4) Appuyez à nouveau sur le bouton de paramétrage de l'horloge et maintenez-le enfoncé ou ne faites aucune opération pendant 5 secondes jusqu'à ce que les chiffres arrêtent de clignoter pour quitter le réglage de l'heure.
5. Économie d'énergie : Le miroir s'éteint automatiquement après une période de veille de 3 heures.

Modèle 12

Pour les séries KZ



- ① Paramétrage de l'horloge
- ② Interrupteur d'éclairage & réglage de la luminosité & réglage de couleurs & paramétrage de l'horloge.

1. Lorsque le miroir est connecté avec succès à l'alimentation, le bouton de commutation s'allume en bleu. Lorsque la fonction est activée, le voyant du bouton devient blanc.
2. Appuyez sur l'interrupteur lumineux pour activer la lumière LED, appuyez à nouveau pour changer la couleur de la lumière, et appuyez une fois de plus pour l'éteindre.
3. Maintenez enfoncé le bouton de l'interrupteur pour ajuster la luminosité.
4. Réinitialisez l'heure et la date :
 - 1) Maintenez enfoncé le bouton de paramétrage de l'horloge jusqu'à ce que le chiffre de l'année commence à clignoter. Utilisez ensuite le bouton d'éclairage pour ajuster le chiffre et sélectionner l'année correcte.
 - 2) Appuyez à nouveau sur le bouton de paramétrage de l'horloge jusqu'à ce que le numéro du mois/jour commence à clignoter, appuyez sur le commutateur d'éclairage pour augmenter ou diminuer les chiffres jusqu'à atteindre le mois et le jour corrects.
 - 3) Répétez l'étape 2) pour réinitialiser les minutes et les heures en conséquence.
 - 4) Appuyez à nouveau sur le bouton de paramétrage de l'horloge et maintenez-le enfoncé ou ne faites aucune opération pendant 5 secondes jusqu'à ce que les chiffres arrêtent de clignoter pour quitter le réglage de l'heure.
5. Économie d'énergie : Le miroir s'éteint automatiquement après une période de veille de 3 heures.

Modèle 13



- ① Désembuage
- ② Interrupteur d'éclairage/ réglage de la couleur et de la luminosité

1. Lorsque le miroir est connecté à l'alimentation, le bouton s'allume en bleu. Lorsque la fonction est activée, le bouton devient blanc.
2. Touchez le bouton d'éclairage pour allumer/éteindre la lumière LED.
3. Pour les miroirs avec fonction de changement de couleur, touchez à nouveau le bouton d'éclairage pour changer la couleur de la lumière, puis touchez à nouveau pour éteindre.
4. Lorsque la lumière LED est allumée, maintenez le bouton d'éclairage enfoncé pour régler la luminosité de la lumière.
5. Effleurer la touche de désembuage pour activer/désactiver la fonction antibuée.
6. Économie d'énergie : Le miroir s'éteint automatiquement après 3 heures de veille.
7. Mémoire : Sauvegarde du dernier réglage lorsque la lumière est éteinte

Modèle 14



- ③ Bluetooth
- ② Désembuage
- ① Interrupteur d'éclairage/ réglage de la couleur et de la luminosité

1. Lorsque le miroir est connecté avec succès à l'alimentation, le bouton de commutation s'allume en bleu. Lorsque la fonction est activée, le voyant du bouton devient blanc.
2. Appuyez sur l'interrupteur lumineux pour activer la lumière LED, appuyez à nouveau pour changer la couleur de la lumière, et appuyez une fois de plus pour l'éteindre.
3. Maintenez enfoncé le bouton de l'interrupteur pour ajuster la luminosité.
4. Appuyez le bouton de désembuage pour activer/désactiver la fonction antibuée.
5. Touchez le bouton Bluetooth pour activer/désactiver la fonction Bluetooth. Recherchez SG-MUSIC sur votre appareil pour l'appairer.
6. Économie d'énergie : Le miroir s'éteint automatiquement après une période de veille de 3 heures.
7. Fonction de mémoire : Sauvegarde du dernier réglage lorsque la lumière est éteinte.

Modèle 15



- Interrupteur d'éclairage/ réglage de la couleur et de la luminosité/Désembuage

1. Lorsque le miroir est connecté avec succès à l'alimentation, le bouton de commutation s'allume en bleu. Lorsque la fonction est activée, le voyant du bouton devient blanc.
2. Appuyez sur l'interrupteur lumineux pour activer la lumière LED, appuyez à nouveau pour changer la couleur de la lumière, et appuyez une fois de plus pour l'éteindre.
3. Maintenez enfoncé le bouton de l'interrupteur pour ajuster la luminosité.
4. Pour les miroirs avec la fonction de désembuage, le film désembuageur s'allumera/éteindra automatiquement lorsque la lumière LED est allumée/éteinte.
5. Économie d'énergie : Le miroir s'éteint automatiquement après une période de veille de 3 heures.
6. Fonction de mémoire : Sauvegarde du dernier réglage lorsque la lumière est éteinte.



Entretien et maintenance

REMARQUE: utilisez de l'eau chaude savonneuse et un chiffon doux, humide et non pelucheux pour nettoyer le miroir. Essayez-le avec un autre chiffon propre. Un nettoyant pour vitres peut être utilisé sur la surface du miroir si nécessaire. Evitez les tampons à récurer, abrasifs et nettoyants chimiques car ils peuvent endommager le verre et le cadre. Dans les régions où l'eau est dure, du calcaire peut se déposer sur le verre. Un nettoyage régulier minimisera ce problème.

Si cette accumulation devient de plus en plus difficile à éliminer, appliquez une petite quantité de vinaigre blanc sur la zone.

- N'essayez pas de couper le verre.
- Ne frappez pas le verre avec des objectifs durs ou pointus.
- Pour réduire le risque de strangulation, le câblage flexible connecté à ce luminaire doit être fixé efficacement au mur si le câblage est à portée de main.

Remplacement de la lumière LED:

la source lumineuse contenue dans ce produit ne doit être remplacée que par le fabricant ou un électricien qualifié.

Prise de courant maximum prise rasoir : 0.5A

Bande de fréquence de fonctionnement : 2402-2480 MHz

Puissance radiofréquence maximale transmise : 8.26 dBm

Notas: Para utilizar el producto de forma segura y adecuada, el espejo debe estar conectado a los cables y la fuente de alimentación que cumpla con las regulaciones de cableado IEE. **Asegúrese de que toda la energía eléctrica esté completamente apagada. Usar una caja de conexiones u otros conectores de cables adecuados para conectar los cables de acuerdo con la fuente de alimentación principal;** la instalación debe ser realizada por un electricista profesional. Una instalación incorrecta puede provocar daños en el producto y / o lesiones personales.

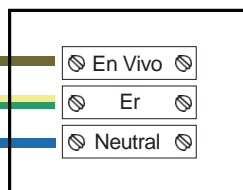
* Este producto es apto solo para uso en interiores.

Diagrama de conexión para terminal de entrada

Marrón / rojo / negro

Verde amarillo / verde

Azul / negro / blanco



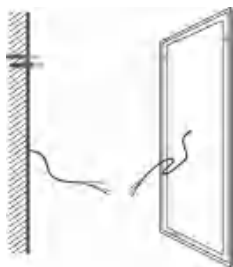
SUMINISTRO DE RED

LÁMPARA

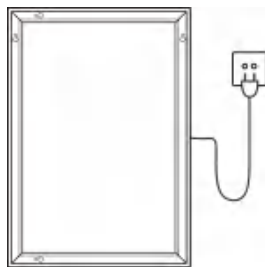
Advertencia: el sistema de puesta a tierra está diseñado en este espejo y el cable de tierra debe estar conectado para protegerlo de una descarga eléctrica.

Si el cable flexible externo o el cordón de esta luminaria está dañado, deberá ser sustituido exclusivamente por el fabricante o su agente de servicio o una persona cualificada similar para evitar un peligro.

Método de conexión

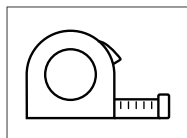


Tipo de pared empotrada

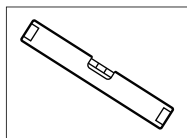


Enchufe de pared

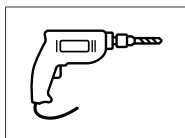
Herramientas de instalación (como se muestra a continuación)



Cinta métrica



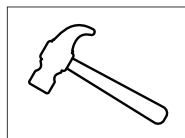
Nivel espiritual



Taladro eléctrico

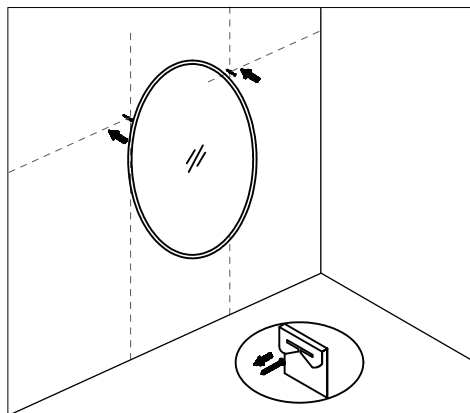
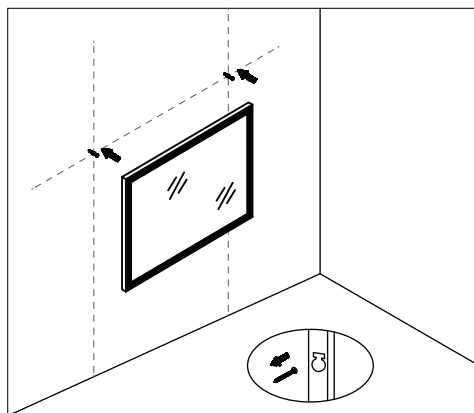
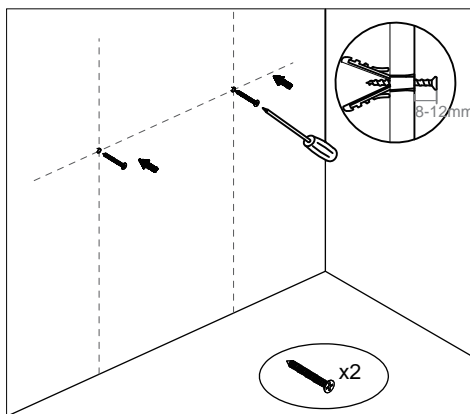
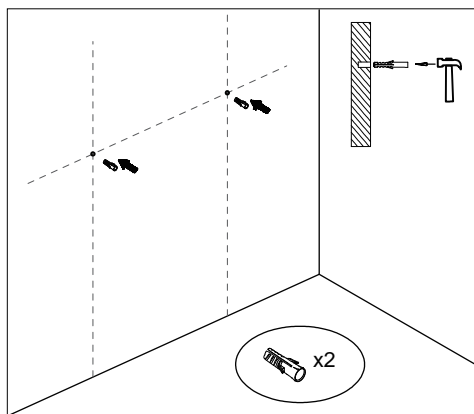
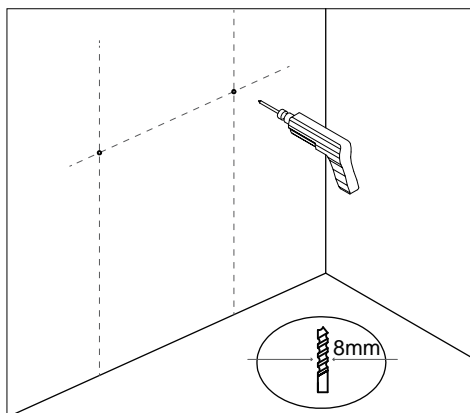
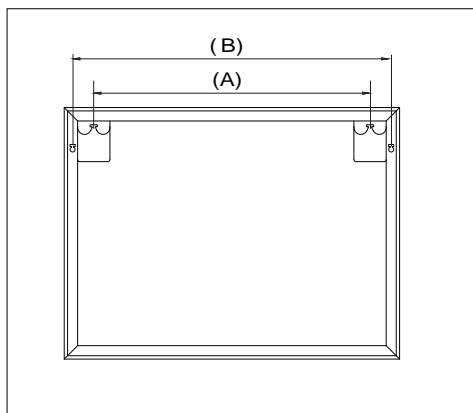


Destornillador

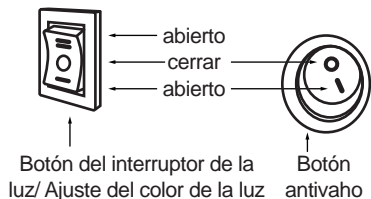


Martillo

Pasos de instalación



Modelo 1



1. Pulse el botón de luz hacia arriba para encender la luz LED cálida y púlselo hacia abajo para encender la luz LED fría. Pulsa el botón del centro para apagar la luz LED.
2. Pulse el botón antivaho arriba/abajo para activar/desactivar la función antivaho.

Modelo 2

Para la serie T/TD/TDS/LTD



Interruptor de luz/
control de brillo

1. Cuando el espejo se conecta correctamente a la corriente, el botón del interruptor se ilumina en azul. Cuando la función está activada, la luz del botón se vuelve blanca.
2. Toque el botón interruptor de la luz para encender o apagar la luz LED.
3. Para el espejo con función antivaho, la almohadilla antivaho se encenderá/apagará automáticamente cuando la luz LED esté encendida/apagada.
4. Para el espejo con función de atenuación de la luz, mantenga pulsado el botón interruptor para ajustar el brillo de la luz.
5. Ahorro de energía: El espejo se apagará automáticamente después de estar en stand by durante 3 horas.

Modelo 3

Para la serie K/KD



Interruptor de luz/ Ajuste del
color y brillo de la luz

1. Cuando el espejo se conecta correctamente a la corriente, el botón del interruptor se ilumina en azul. Cuando la función está activada, la luz del botón se vuelve blanca.
2. Toque el interruptor de la luz para encender la luz LED, toque de nuevo para cambiar el color de la luz, toque de nuevo para apagar.
3. Mantenga pulsado el botón del interruptor de la luz para ajustar el brillo.
4. Para el espejo con función antivaho, la almohadilla antivaho se encenderá/apagará automáticamente cuando la luz LED esté encendida/apagada.
5. Ahorro de energía: El espejo se apagará automáticamente después de estar en stand by durante 3 horas.

Modelo 4



- ① Bluetooth
- ② Interruptor de luz/control de brillo(o Demister)

1. Cuando el espejo se conecta correctamente a la corriente, el botón del interruptor se ilumina en azul. Cuando la función está activada, la luz del botón se vuelve blanca.
2. Toque el botón interruptor de la luz para encender o apagar la luz LED.
3. Pulse prolongadamente el botón interruptor de luz para ajustar el brillo.
4. Toque el botón Bluetooth para activar o desactivar la función Bluetooth. Busque SG-MUSIC en su dispositivo para emparejarlo.
5. La almohadilla antivaho se encenderá/apagará automáticamente cuando la luz LED esté encendida/apagada.
6. Ahorro de energía: El espejo se apagará automáticamente después de estar en stand by durante 3 horas.

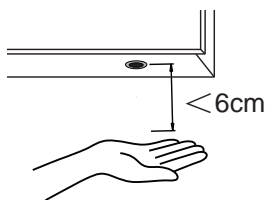
Modelo 5



- ① Bluetooth
- ② Desempañador/
Ajuste de hora
- ③ Interruptor de luz/ Ajuste del color y brillo de la luz

1. Cuando el espejo se conecta correctamente a la corriente, el botón del interruptor se ilumina en azul. Cuando la función está activada, la luz del botón se vuelve blanca.
2. Toque el interruptor de la luz para encender la luz LED, toque de nuevo para cambiar el color de la luz, toque de nuevo para apagar.
3. Mantenga pulsado el botón interruptor para ajustar el brillo.
4. Toque el botón antivaho para activar/desactivar la función antivaho.
5. Restablecer la hora y la fecha:
 - 1) Mantenga pulsado el botón ② durante 3 segundos hasta que el número del año empiece a parpadear. Toque el botón ② o ① para aumentar o disminuir el número hasta el año correcto.
 - 2) Mantenga pulsado el botón ② para restablecer el mes y el día. Cuando el número del mes y del día empiece a parpadear, pulse el botón ② o el botón ① para aumentar o disminuir el número hasta el mes y el día correctos.
 - 3) Repita el paso 2) para reajustar los minutos y las horas según corresponda.
 - 4) Mantenga pulsado el botón ② de nuevo o no realice ninguna operación durante 5 segundos hasta que el número deje de parpadear para salir del ajuste de la hora.
6. Toque el botón Bluetooth para activar y desactivar la función Bluetooth. Busque SG-MUSIC en su dispositivo para emparejarlo.

Modelo 6



Interruptor con sensor de infrarrojos

1. Mueva suavemente la mano por debajo del sensor (a menos de 6 cm) para encender y apagar la luz.
2. Para el espejo con función antivaho, la almohadilla antivaho se encenderá/apagará automáticamente cuando la luz LED esté encendida/apagada.

Nota:

El sensor debe colocarse a una distancia mínima de 35 cm de cualquier objeto (como grifo, fregadero o pared) para evitar cualquier interferencia. Para obtener el mejor resultado, mantenga la zona de detección del sensor lo más despejada posible.

Modelo 7



- ① Interruptor de la luz ② Botón de ajuste de brillo y color de la luz

1. Cuando el espejo se conecta correctamente a la corriente, el botón del interruptor se ilumina en azul. Cuando la función está activada, la luz del botón se vuelve blanca.
2. Toque el botón interruptor de la luz para encender y apagar la luz LED.
3. Cuando la luz LED está encendida, toque el botón M para cambiar el color de la luz.
4. Cuando la luz LED esté encendida, mantenga pulsado el botón M para ajustar el brillo de la luz.
5. Para el espejo con función antivaho, la almohadilla antivaho se encenderá/apagará automáticamente cuando la luz LED esté encendida/apagada.
6. Ahorro de energía: El espejo se apagará automáticamente después de estar en stand by durante 3 horas.

Modelo 8



- ① Demister ② Botón de ajuste de brillo y color de la luz ③ Interruptor de luz

1. Cuando el espejo se conecta correctamente a la corriente, el botón del interruptor se ilumina en azul. Cuando la función está activada, la luz del botón se vuelve blanca.
2. Toque el interruptor de luz para encender/apagar la luz LED y el botón M.
3. Cuando la luz LED está encendida, toque el botón M para cambiar el color de la luz.
4. Cuando la luz LED esté encendida, mantenga pulsado el botón M para ajustar el brillo de la luz.
5. Toque el botón antivaho para activar/desactivar la función antivaho.
6. Ahorro de energía: El espejo se apagará automáticamente después de estar en stand by durante 3 horas.

Modelo 9

Para la serie TDZ



- ① Interruptor de la luz & Ajuste de la luminosidad & Ajuste del reloj
- ② Interruptor antivaho & Botón de ajuste del reloj y la fecha

1. Cuando el espejo se conecta correctamente a la corriente, el botón del interruptor se ilumina en azul. Cuando la función está activada, la luz del botón se vuelve blanca.
2. Toque el botón interruptor de la luz para encender o apagar la luz LED.
3. Cuando la luz LED está encendida, mantenga pulsado el interruptor de luz para ajustar el brillo de la luz.
4. Toque el botón antivaho para activar/desactivar la función antivaho.
5. Restablecer la hora y la fecha:
 - 1) Mantenga pulsado el botón de ajuste de la hora hasta que el número del año empiece a parpadear. Toque el interruptor de la luz para aumentar el número hasta el año correcto.
 - 2) Pulse de nuevo el botón de ajuste de la hora hasta que el número del mes/día empiece a parpadear, pulse el interruptor de la luz para aumentar el número hasta el mes/día correcto.
 - 3) Repita el paso 2) para reajustar los minutos y las horas.
 - 4) Toque de nuevo el botón de ajuste de la hora o no realice ninguna operación durante 5 segundos hasta que el número deje de parpadear para salir del ajuste de la hora.
6. Ahorro de energía: El espejo se apagará automáticamente después de estar en stand by durante 3 horas.

Modelo 10

Para la serie KDZ



- ① Interruptor de la luz & Ajuste de la luminosidad & Cambio de colores & Ajuste del reloj
- ② Interruptor antivaho & Botón de ajuste del reloj y la fecha

1. Cuando el espejo se conecta correctamente a la corriente, el botón del interruptor se ilumina en azul. Cuando la función está activada, la luz del botón se vuelve blanca.
2. Toque el interruptor de la luz para encender la luz LED, toque de nuevo para cambiar el color de la luz, toque de nuevo para apagar.
3. Cuando la luz LED está encendida, mantenga pulsado el interruptor de la luz para ajustar el brillo de la luz.
4. Toque el botón antivaho para activar/desactivar la función antivaho.
5. Restablecer la hora y la fecha:
 - 1) Mantenga pulsado el botón de ajuste de la hora hasta que el número del año empiece a parpadear. Toque el interruptor de la luz para aumentar el número hasta el año correcto.
 - 2) Vuelva a pulsar el botón de ajuste de la hora hasta que el número del mes/día empiece a parpadear, toque el interruptor de la luz para aumentar el número hasta el mes/día correcto.
 - 3) Repita el paso 2) para reajustar los minutos y las horas.
 - 4) Toque de nuevo el botón de ajuste de la hora o no realice ninguna operación durante 5 segundos hasta que el número deje de parpadear para salir del ajuste de la hora.
6. Ahorro de energía: El espejo se apagará automáticamente después de estar en stand by durante 3 horas.

Modelo 11

Para la serie TZ



- ① Botón de ajuste del reloj y la fecha
- ② Interruptor de la luz y ajuste del brillo&ajuste del reloj

1. Cuando el espejo se conecta correctamente a la corriente, el botón del interruptor se ilumina en azul. Cuando la función está activada, la luz del botón se vuelve blanca.
2. Toque el botón interruptor de la luz para encender o apagar la luz LED.
3. Mantenga pulsado el botón de interruptor de luz para ajustar el brillo.
4. Restablecer la hora y la fecha: 1) Mantenga pulsado el botón de ajuste de la hora hasta que el número del año empiece a parpadear. Toque el interruptor de la luz para aumentar el número hasta el año correcto.
- 2) Vuelva a pulsar el botón de ajuste de la hora hasta que el número del mes/día empiece a parpadear, toque el interruptor de la luz para aumentar el número hasta el mes/día correcto.
- 3) Repita el paso 2) para reajustar los minutos y las horas.
- 4) Toque de nuevo el botón de ajuste de la hora o no realice ninguna operación durante 5 segundos hasta que el número deje de parpadear para salir del ajuste de la hora.
5. Ahorro de energía: El espejo se apagará automáticamente después de estar en stand by durante 3 horas.

Modelo 12

Para la serie KZ



- ① Ajuste de la hora
- ② Interruptor de la luz/ Color de la luz, brillo y ajuste de la hora

1. Cuando el espejo se conecta correctamente a la corriente, el botón del interruptor se ilumina en azul. Cuando la función está activada, la luz del botón se vuelve blanca.
2. Toque el interruptor de la luz para encender la luz LED, toque de nuevo para cambiar el color de la luz, toque de nuevo para apagar.
3. Cuando la luz LED está encendida, mantenga pulsado el interruptor de la luz para ajustar el brillo de la luz.
4. Restablecer la hora y la fecha: 1) Mantenga pulsado el botón de ajuste de la hora hasta que el número del año empiece a parpadear. Toque el interruptor de la luz para aumentar el número hasta el año correcto.
- 2) Vuelva a pulsar el botón de ajuste de la hora hasta que el número del mes/día empiece a parpadear, toque el interruptor de la luz para aumentar el número hasta el mes/día correcto.
- 3) Repita el paso 2) para reajustar los minutos y las horas.
- 4) Toque de nuevo el botón de ajuste de la hora o no realice ninguna operación durante 5 segundos hasta que el número deje de parpadear para salir del ajuste de la hora.
5. Ahorro de energía: El espejo se apagará automáticamente después de estar en stand by durante 3 horas.

Modelo 13



- ① Desempeñador
- ② Interruptor de luz/cambio de colores/control de brillo

1. Cuando el espejo se conecta correctamente a la corriente, el botón del interruptor se ilumina en azul. Cuando la función está activada, la luz del botón se vuelve blanca.
2. Toque el botón interruptor de la luz para encender o apagar la luz LED.
3. Para el espejo con función de cambio de color, toque de nuevo el botón interruptor de la luz para cambiar los colores de la luz, luego toque de nuevo para apagar.
4. Cuando la luz LED está encendida, mantenga pulsado el interruptor de luz para ajustar el brillo de la luz.
5. Toque el botón antivaho para activar/desactivar la función antivaho.
6. Ahorro de energía: El espejo se apagará automáticamente después de estar en stand by durante 3 horas.
7. Memoria: Guarda el último ajuste cuando se apaga la luz.

Modelo 14



- ③ Bluetooth
- ② Desempeñador
- ① Interruptor de luz/cambio de colores/control de brillo

1. Cuando el espejo se conecta correctamente a la corriente, el botón del interruptor se ilumina en azul. Cuando la función está activada, la luz del botón se vuelve blanca.
2. Toque el interruptor de la luz para encender la luz LED, toque de nuevo para cambiar los colores de la luz, toque de nuevo para apagar.
3. Cuando la luz LED esté encendida, mantenga pulsado el interruptor de la luz para ajustar el brillo de la luz.
4. Toque el botón antivaho para activar/desactivar la función antivaho.
5. Toca el botón Bluetooth para activar/desactivar la función Bluetooth. Busca SG-MUSIC en tu dispositivo para emparejarlo.
6. Ahorro de energía: El espejo se apagará automáticamente después de estar en stand by durante 3 horas.
7. Memoria: Guarda el último ajuste cuando se apaga la luz.

Modelo 15



- Interruptor de luz/cambio de colores/control de brillo/Desempeñador

1. Cuando el espejo se conecta correctamente a la corriente, el botón del interruptor se ilumina en azul. Cuando la función está activada, la luz del botón se vuelve blanca.
2. Toque el interruptor de la luz para encender la luz LED, vuelva a tocarlo para cambiar los colores de la luz, vuelva a tocarlo para apagar.
3. Cuando la luz LED esté encendida, mantenga pulsado el interruptor de la luz para ajustar el color de la luz. Cuando la luz LED está encendida, mantenga pulsado el interruptor de la luz para ajustar el brillo de la luz.
4. Para el espejo con función antivaho, la almohadilla antivaho se encenderá/apagará automáticamente cuando la luz LED esté encendida/apagada.
5. Ahorro de energía: El espejo se apagará automáticamente después de estar en stand by durante 3 horas.
6. Memoria: Guarda el último ajuste cuando se apaga la luz.



Cuidado y mantenimiento

NOTA: Use agua tibia con jabón y un paño suave, húmedo y sin pelusa para limpiar el espejo. Secarlo con otro paño limpio. El limpiacristales se puede utilizar en la superficie del espejo cuando sea necesario. Evite los estropajos, abrasivos y limpiadores químicos, ya que pueden dañar el vidrio y el marco. En áreas de agua dura, la cal puede depositarse en el vidrio. La limpieza regular minimizará este problema.

Si esta acumulación se vuelve cada vez más difícil de eliminar, aplique una pequeña cantidad de vinagre blanco en el área.

- No intente cortar el vidrio.
- No golpee el cristal con objetivos duros o afilados.
- Para reducir el riesgo de estrangulamiento, el cableado flexible conectado a esta luminaria deberá estar efectivamente fijado a la pared si el cableado está al alcance del brazo.

Reemplazo de la luz LED:

la fuente de luz contenida en este producto solo debe ser reemplazada por el fabricante o un electricista calificado.

Salida de corriente máxima del enchufe de la afeitadora: 0.5A

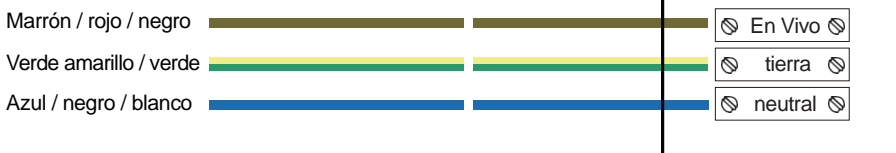
Banda de frecuencia de funcionamiento: 2402-2480 MHz

Potencia máxima de radiofrecuencia transmitida: 8.26 dBm

Note: Per utilizzare il prodotto in modo sicuro e corretto, lo specchio deve essere collegato ai fili e l'alimentatore conforme alle normative sul cablaggio IEE. Assicurarsi che tutta l'alimentazione elettrica sia stata completamente spenta. Utilizzando una scatola di giunzione o altri connettori per cavi adeguati per collegare i cavi in base all'alimentazione principale; L'installazione deve essere eseguita da un elettricista professionista. L'errata installazione può causare danni al prodotto o/e lesioni personali.

* Questo prodotto è adatto solo per uso interno.

Diagrama de cableado para terminal de entrada



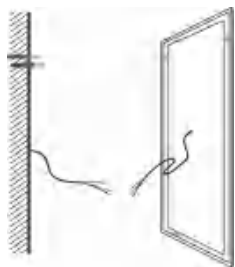
SUMINISTRO DE RED

LUMINARIA

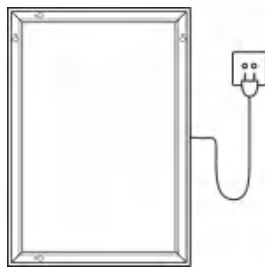
Avvertenza: il sistema di messa a terra è progettato in questo specchio e il cavo di terra deve essere collegato per proteggerti da una scossa elettrica.

se il cavo flessibile esterno o il cavo di questo apparecchio è danneggiato, deve essere sostituito esclusivamente dal produttore o dal suo agente di assistenza o da una persona qualificata simile, al fine di evitare un pericolo.

Método de conexión

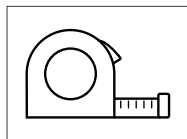


Tipo de muro enterrado de alambre

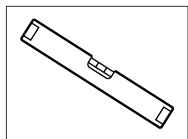


Enchufe de pared

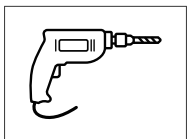
Strumenti di installazione (come mostrato di seguito)



Metro A nastro



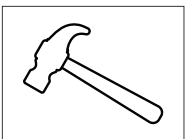
Livello di spirito



Trapano elettrico

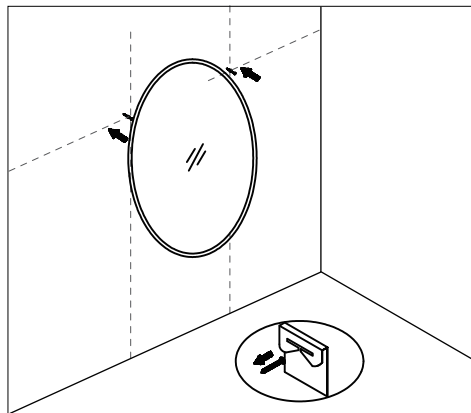
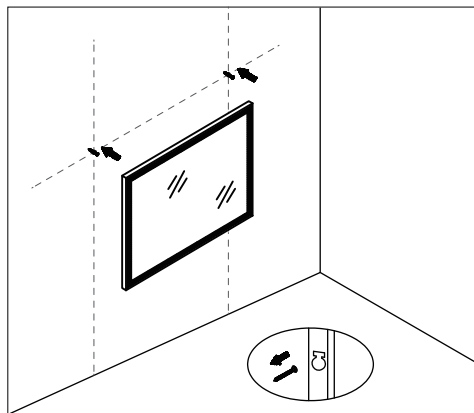
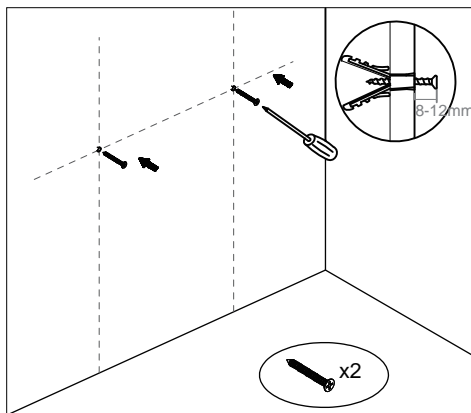
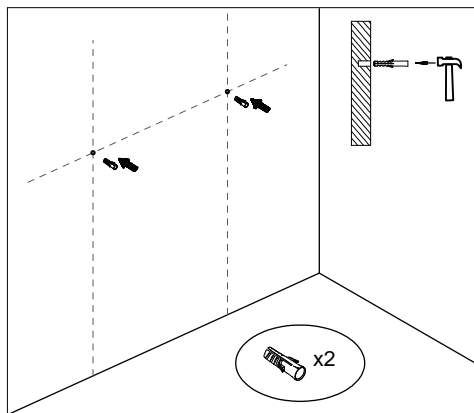
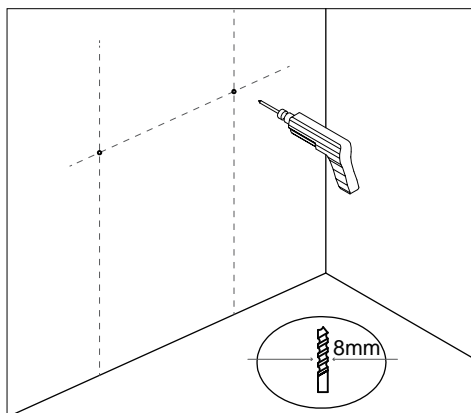
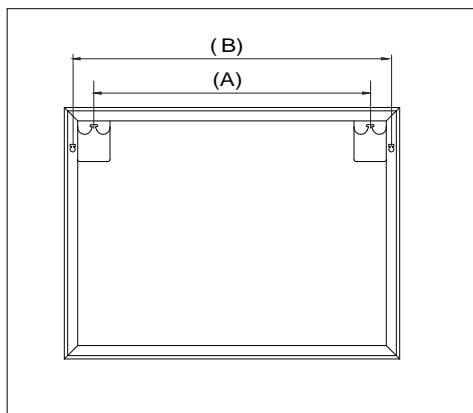


Cacciavite

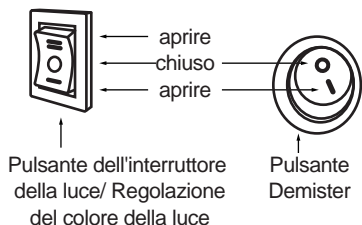


Martello

Fasi di installazione



Modello 1



1. Premere il pulsante della luce verso l'alto per accendere la luce LED calda e verso il basso per accendere la luce LED fredda. Premere il pulsante al centro per spegnere la luce LED.
2. Premere il pulsante demister su/giù per attivare/disattivare la funzione antiappannamento.

Modello 2

per la serie T/TD/TDS/LTD



1. Quando lo specchio è collegato all'alimentazione, il pulsante di commutazione si illumina di blu. Quando la funzione è attivata, la luce del pulsante diventa bianca.
2. Toccare il pulsante di accensione della luce per accendere/spegnere la luce LED.
3. Per gli specchi con funzione demister, il pad demister si accende/spegne automaticamente quando la luce LED è accesa/spenta.
4. Per lo specchio con funzione dimmer, tenere premuto a lungo il pulsante di accensione per regolare la luminosità della luce.
5. Risparmio energetico: Lo specchio si spegne automaticamente dopo essere rimasto in stand by per 3 ore.

Modello 3

per la serie K/KD



1. Quando lo specchio è collegato all'alimentazione, il pulsante di commutazione si illumina di blu. Quando la funzione è attivata, la luce del pulsante diventa bianca.
2. Toccare l'interruttore della luce per accendere la luce LED, toccare di nuovo per cambiare il colore della luce, toccare di nuovo per spegnere.
3. Tenere premuto a lungo il pulsante dell'interruttore luminoso per regolare la luminosità.
4. Per lo specchio con funzione demister, il pad demister si accende/spegne automaticamente quando la luce LED è accesa/spenta.
5. Risparmio energetico: Lo specchio si spegne automaticamente dopo essere rimasto in stand by per 3 ore.

Modello 4



- ① Bluetooth
- ② Interruttore luce/Regolazione luminosità(o antiappannamento)

1. Quando lo specchio è collegato all'alimentazione, il pulsante di commutazione si illumina di blu. Quando la funzione è attivata, la luce del pulsante diventa bianca.
2. Toccare il pulsante di accensione della luce per accendere/spegnere la luce LED.
3. Premere a lungo il pulsante di accensione per regolare la luminosità.
4. Toccare il pulsante Bluetooth per attivare e disattivare la funzione Bluetooth. Cercare SG-MUSIC sul dispositivo per associarlo.
5. Il cuscinetto demister si accende/spegne automaticamente quando la luce LED è accesa/spenta.
6. Risparmio energetico: Lo specchio si spegne automaticamente dopo 3 ore di stand by.

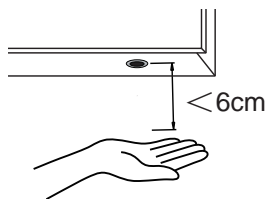
Modello 5



- ① Bluetooth
- ② Demister/ Impostazione dell'ora
- ③ Interruttore luminoso/ Regolazione del colore e della luminosità della luce

1. Quando lo specchio è collegato all'alimentazione, il pulsante di commutazione si illumina di blu. Quando la funzione è attivata, la luce del pulsante diventa bianca.
2. Toccare l'interruttore della luce per accendere la luce LED, toccare di nuovo per cambiare il colore della luce, toccare di nuovo per spegnere.
3. Tenere premuto a lungo il pulsante di accensione per regolare la luminosità.
4. Toccare il pulsante demister per attivare/disattivare la funzione antiappannamento.
5. Reimpostare l'ora e la data:
 - 1) Tenere premuto a lungo il pulsante ② per 3 secondi finché il numero dell'anno non inizia a lampeggiare. Toccare il pulsante ② o ① per aumentare o diminuire il numero all'anno corretto.
 - 2) Tenere premuto a lungo il pulsante ② per reimpostare il mese e il giorno. Quando il numero del mese e del giorno inizia a lampeggiare, toccare il tasto ② o il tasto ① per aumentare o diminuire il numero fino al mese e al giorno corretti.
 - 3) Ripetere il punto 2) per reimpostare di conseguenza i minuti e le ore.
 - 4) Tenere nuovamente premuto a lungo il pulsante ② o non eseguire alcuna operazione per 5 secondi finché il numero non smette di lampeggiare per uscire dall'impostazione dell'ora.
6. Toccare il pulsante Bluetooth per attivare e disattivare la funzione Bluetooth. Cercare SG-MUSIC sul dispositivo per associarlo.

Modello 6



Interruttore del sensore a infrarossi

1. Agitare delicatamente la mano sotto il sensore (entro 6 cm) per accendere e spegnere la luce.
2. Per lo specchio con funzione demister, il cuscinetto demister si accende/spegne automaticamente quando la luce LED è accesa/spenta.

Nota bene:

il sensore deve essere posizionato ad almeno 35 cm di distanza da qualsiasi oggetto (come rubinetti, lavandini o pareti) per evitare interferenze. Per ottenere un risultato ottimale, si consiglia di mantenere l'area di rilevamento del sensore il più libera possibile.

Modello 7



- ① Interruttore della luce ② Pulsante di regolazione del colore della luce e della luminosità

1. Quando lo specchio è collegato all'alimentazione, il pulsante di commutazione si illumina di blu. Quando la funzione è attivata, la luce del pulsante diventa bianca.
2. Toccare il pulsante di accensione per accendere e spegnere la luce LED.
3. Quando la luce LED è accesa, toccare il pulsante M per cambiare il colore della luce.
4. Quando la luce LED è accesa, tenere premuto a lungo il pulsante M per regolare la luminosità della luce.
5. Per gli specchietti con funzione demister, il pad demister si accende/spegne automaticamente quando la luce LED è accesa/spenta.
6. Risparmio energetico: Lo specchio si spegne automaticamente dopo essere rimasto in stand by per 3 ore.

Modello 8



- ① Antiappannamento ③ Interruttore luce
- ② Pulsante di regolazione del colore della luce e della luminosità

1. Quando lo specchio è collegato all'alimentazione, il pulsante di commutazione si illumina di blu. Quando la funzione è attivata, la luce del pulsante diventa bianca.
2. Toccare l'interruttore luminoso per accendere/spegnere la luce LED e il pulsante M.
3. Quando la luce LED è accesa, toccare il pulsante M per cambiare il colore della luce.
4. Quando la luce LED è accesa, tenere premuto a lungo il pulsante M per regolare la luminosità della luce.
5. Toccare il pulsante demister per attivare/disattivare la funzione antiappannamento.
6. Risparmio energetico: Lo specchio si spegne automaticamente dopo 3 ore di stand by.

Modelo 9

per la serie TDZ



- ① Interruttore della luce & Regolazione della luminosità & Impostazione dell'orologio
- ② Interruttore Demister & Pulsante per l'impostazione dell'orologio e della data

1. Quando lo specchio è collegato all'alimentazione, il pulsante di commutazione si illumina di blu. Quando la funzione è attivata, la luce del pulsante diventa bianca.
2. Toccare il pulsante di accensione della luce per accendere/spegnere la luce LED.
3. Quando la luce LED è accesa, tenere premuto a lungo l'interruttore per regolare la luminosità della luce.
4. Toccare il pulsante demister per attivare/disattivare la funzione antiappannamento.
5. Reimpostare l'ora e la data:
 - 1) Tenere premuto a lungo il pulsante di impostazione dell'ora finché il numero dell'anno non inizia a lampeggiare. Toccare l'interruttore luminoso per aumentare il numero all'anno corretto.
 - 2) Toccare nuovamente il pulsante di impostazione dell'ora fino a quando il numero del mese/giorno inizia a lampeggiare; toccare l'interruttore luminoso per aumentare il numero al mese/giorno corretto.
 - 3) Ripetere il punto 2) per reimpostare di conseguenza i minuti e le ore.
 - 4) Toccare nuovamente il pulsante di impostazione dell'ora o non eseguire alcuna operazione per 5 secondi finché il numero non smette di lampeggiare per uscire dall'impostazione dell'ora.
6. Risparmio energetico: Lo specchio si spegne automaticamente dopo essere rimasto in stand by per 3 ore.

Modelo 10

per la serie KDZ



- ① Interruttore della luce & Regolazione della luminosità & Cambiamento dei colori & Impostazione dell'orologio
- ② Interruttore Demister & Pulsante per l'impostazione dell'orologio e della data

1. Quando lo specchio è collegato all'alimentazione, il pulsante di commutazione si illumina di blu. Quando la funzione è attivata, la luce del pulsante diventa bianca.
2. Toccare l'interruttore della luce per accendere la luce LED, toccare di nuovo per cambiare il colore della luce, toccare di nuovo per spegnere.
3. Quando la luce LED è accesa, tenere premuto a lungo l'interruttore per regolare la luminosità della luce.
4. Toccare il pulsante demister per attivare/disattivare la funzione antiappannamento.
5. Reimpostare l'ora e la data:
 - 1) Tenere premuto a lungo il pulsante di impostazione dell'ora finché il numero dell'anno non inizia a lampeggiare. Toccare l'interruttore luminoso per aumentare il numero all'anno corretto.
 - 2) Toccare nuovamente il pulsante di impostazione dell'ora fino a quando il numero del mese/giorno inizia a lampeggiare; toccare l'interruttore luminoso per aumentare il numero al mese/giorno corretto.
 - 3) Ripetere il punto 2) per reimpostare di conseguenza i minuti e le ore.
 - 4) Toccare nuovamente il pulsante di impostazione dell'ora o non eseguire alcuna operazione per 5 secondi finché il numero non smette di lampeggiare per uscire dall'impostazione dell'ora.
6. Risparmio energetico: Lo specchio si spegne automaticamente dopo essere rimasto in stand by per 3 ore.

Modello 11

per la serie TZ



- ① Pulsante per l'impostazione dell'orologio e della data
- ② Interruttore della luce & Regolazione della luminosità & Impostazione dell'orologio

1. Quando lo specchio è collegato all'alimentazione, il pulsante di commutazione si illumina di blu. Quando la funzione è attivata, la luce del pulsante diventa bianca.
2. Toccare il pulsante di accensione della luce per accendere/spengere la luce LED.
3. Tenere premuto a lungo il pulsante di accensione per regolare la luminosità.
4. Reimpostare l'ora e la data:
 - 1) Tenere premuto a lungo il pulsante di impostazione dell'ora finché il numero dell'anno non inizia a lampeggiare. Toccare l'interruttore luminoso per aumentare il numero all'anno corretto.
 - 2) Toccare nuovamente il pulsante di impostazione dell'ora finché il numero del mese/giorno non inizia a lampeggiare; toccare l'interruttore luminoso per o aumentare il numero fino al mese/giorno corretto.
 - 3) Ripetere il punto 2) per reimpostare di conseguenza i minuti e le ore.
 - 4) Toccare nuovamente il pulsante di impostazione dell'ora o non eseguire alcuna operazione per 5 secondi finché il numero non smette di lampeggiare per uscire dall'impostazione dell'ora.
5. Risparmio energetico: Lo specchio si spegne automaticamente dopo essere rimasto in stand by per 3 ore.

Modello 12

per la serie KZ



- ① Impostazione dell'ora
- ② Interruttore luce/ Regolazione del colore della luce, della luminosità e dell'ora

1. Quando lo specchio è collegato all'alimentazione, il pulsante di commutazione si illumina di blu. Quando la funzione è attivata, la luce del pulsante diventa bianca.
2. Toccare l'interruttore della luce per accendere la luce LED, toccare di nuovo per cambiare il colore della luce, toccare di nuovo per spegnere.
3. Quando la luce LED è accesa, tenere premuto a lungo l'interruttore per regolare la luminosità della luce.
4. Reimpostare l'ora e la data:
 - 1) Tenere premuto a lungo il pulsante di impostazione dell'ora finché il numero dell'anno non inizia a lampeggiare. Toccare l'interruttore luminoso per aumentare il numero fino all'anno corretto.
 - 2) Toccare nuovamente il pulsante di impostazione dell'ora finché il numero del mese/giorno non inizia a lampeggiare; toccare l'interruttore luminoso per aumentare il numero fino al mese/giorno corretto.
 - 3) Ripetere il punto 2) per reimpostare di conseguenza i minuti e le ore.
 - 4) Toccare nuovamente il pulsante di impostazione dell'ora o non eseguire alcuna operazione per 5 secondi finché il numero non smette di lampeggiare per uscire dall'impostazione dell'ora.
5. Risparmio energetico: Lo specchio si spegne automaticamente dopo essere rimasto in stand by per 3 ore.

Modello 13



- ① Antiappannamento
- ② Interruttore luce/cambio colori/
Regolazione luminosità

1. Quando lo specchio è collegato all'alimentazione, il pulsante di commutazione si illumina di blu. Quando la funzione è attivata, la luce del pulsante diventa bianca.
2. Toccare il pulsante di accensione della luce per accendere/spegnere la luce LED.
3. Per gli specchi con funzione di cambio colore, toccare di nuovo il pulsante di accensione per cambiare i colori della luce, quindi toccare di nuovo per spegnere.
4. Quando la luce LED è accesa, tenere premuto a lungo l'interruttore per regolare la luminosità della luce.
5. Toccare il pulsante demister per attivare/disattivare la funzione antiappannamento.
6. Risparmio energetico: Lo specchio si spegne automaticamente dopo 3 ore di stand by.
7. Memoria: Salva l'ultima impostazione quando la luce è spenta.

Modello 14



- ③ Bluetooth
- ② Antiappannamento
- ① Interruttore luce/cambio colori/
Regolazione luminosità

1. Quando lo specchio è collegato all'alimentazione, il pulsante di commutazione si illumina di blu. Quando la funzione è attivata, la luce del pulsante diventa bianca.
2. Toccare l'interruttore della luce per accendere la luce LED, toccare di nuovo per cambiare i colori della luce, toccare di nuovo per spegnere.
3. Quando la luce LED è accesa, tenere premuto a lungo l'interruttore per regolare la luminosità della luce.
4. Toccare il pulsante demister per attivare/disattivare la funzione antiappannamento.
5. Toccare il pulsante Bluetooth per attivare/disattivare la funzione Bluetooth. Cercare SG-MUSIC sul dispositivo per associarlo.
6. Risparmio energetico: Lo specchio si spegne automaticamente dopo 3 ore di stand by.
7. Memoria: Salva l'ultima impostazione quando la luce è spenta.

Modello 15



- Interruttore luce/cambio colori/
Regolazione luminosità/
antiappannamento

1. Quando lo specchio è collegato all'alimentazione, il pulsante di commutazione si illumina di blu. Quando la funzione è attivata, la luce del pulsante diventa bianca.
2. Toccare l'interruttore della luce per accendere la luce LED, toccare di nuovo per cambiare i colori della luce, toccare di nuovo per spegnere.
3. Quando la luce LED è accesa, tenere premuto a lungo l'interruttore della luce per regolare la luce LED. Quando la luce LED è accesa, tenere premuto a lungo l'interruttore per regolare la luminosità della luce.
4. Per lo specchio con funzione demister, il pad demister si accende/spegne automaticamente quando la luce LED è accesa/spenta.
5. Risparmio energetico: Lo specchio si spegne automaticamente dopo 3 ore di stand by.
6. Memoria: Salva l'ultima impostazione quando la luce è spenta.



Cura e manutenzione

NOTA: utilizzare acqua calda e sapone e un panno morbido, umido e privo di lanugine per pulire lo specchio. Asciugalo con un altro panno pulito. Se necessario, è possibile utilizzare un detergente per vetri sulla superficie dello specchio. Evita le pagliette, abrasivi e detergenti chimici in quanto possono danneggiare il vetro e la cornice. Nelle zone con acqua dura, il calcare può depositarsi sul vetro. Una pulizia regolare ridurrà al minimo questo problema.

Se questo accumulo diventa sempre più difficile da rimuovere, applica una piccola quantità di aceto bianco sulla zona.

- Non tentare di tagliare il vetro.
- Non colpire il vetro con obiettivi duri o affilati.
- Per ridurre il rischio di strangolamento, il cavo flessibile collegato a questo apparecchio deve essere efficacemente fissato alla parete se il cavo è a portata di mano.

Sostituzione della luce a LED:

la sorgente luminosa contenuta in questo prodotto deve essere sostituita solo dal produttore o da un elettricista qualificato.

Presenza di corrente massima presa rasoio: 0.5A

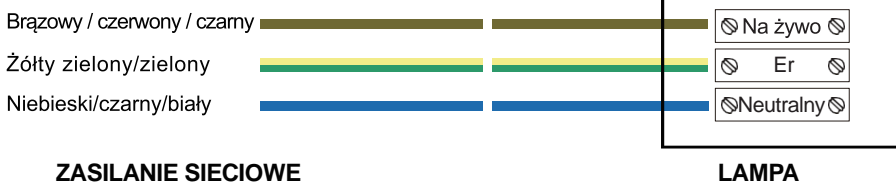
Banda di frequenza operativa: 2402-2480 MHz

Potenza massima in radiofrequenza trasmessa: 8.26 dBm

Uwagi: Aby bezpiecznie i prawidłowo korzystać z produktu, lustro musi być podłączone do przewodów oraz zasilacz, który jest zgodny z przepisami dotyczącymi okablowania IEE. Upewnij się, że całe zasilanie elektryczne zostało całkowicie wyłączone. Wykorzystanie puszek połączeniowej lub innych odpowiednich złączy przewodów do podłączenia przewodów zgodnie z głównym zasilaniem; Instalacja musi być wykonana przez profesjonalnego elektryka. Nieprawidłowa instalacja może prowadzić do uszkodzenia produktu lub/i obrażeń ciała.

* Ten produkt nadaje się wyłącznie do użytku w pomieszczeniach.

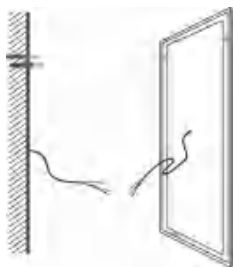
Schemat połączeń dla zacisku wejściowego



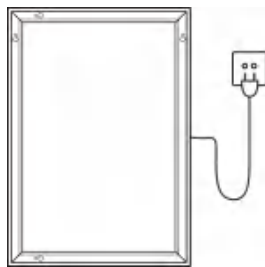
Ostrzeżenie: System uziemienia jest zaprojektowany w tym lustrze, a przewód uziemiający musi być podłączony aby chronić Cię przed porażeniem prądem.

Jeśli zewnętrzny elastyczny kabel lub przewód tej oprawy jest uszkodzony, powinien on zostać wymieniony wyłącznie przez producenta lub jego przedstawiciela serwisowego lub podobną wykwalifikowaną osobę w celu uniknięcia zagrożenia.

Metoda połączenia

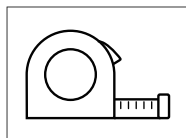


Typ ściany wpuszczanej

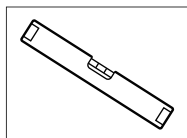


Wtyczka ścienna

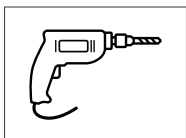
Narzędzia instalacyjne (jak pokazano poniżej)



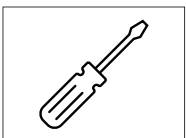
Taśma miernicza



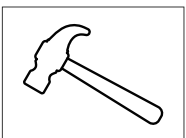
Poziom duchowy



Wiertarka elektryczna

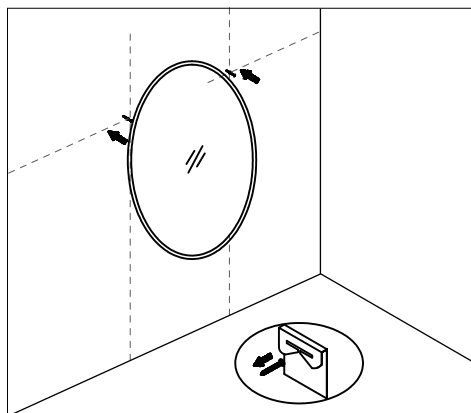
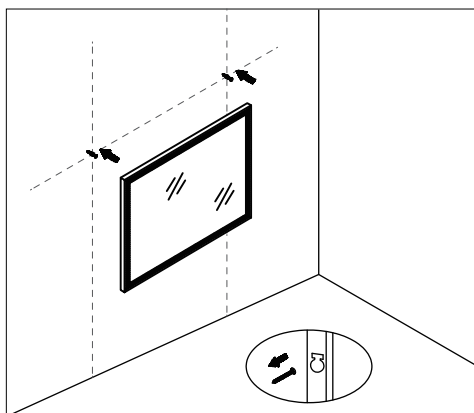
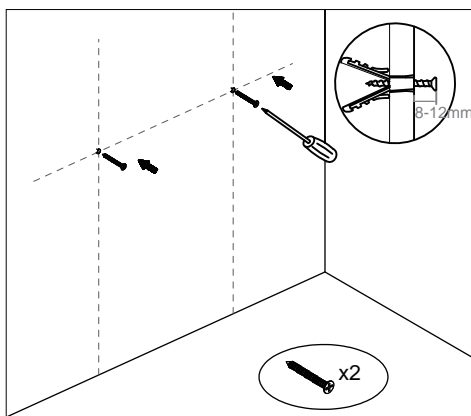
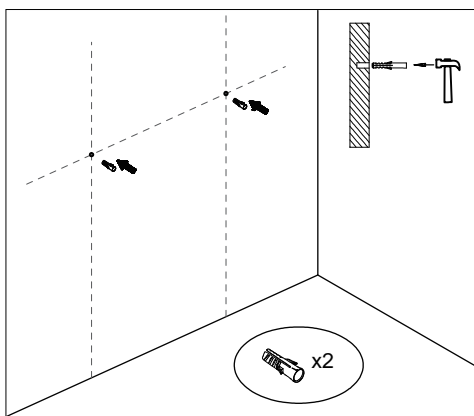
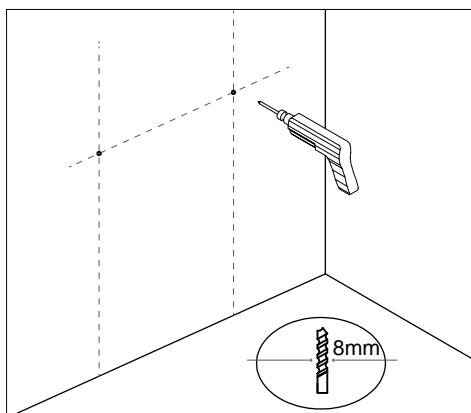
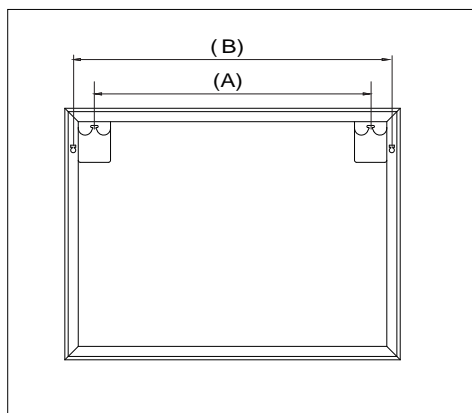


Śrubokręt

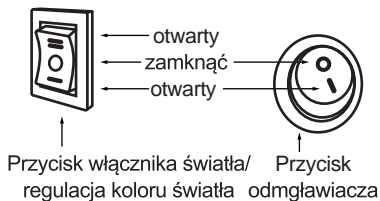


Młot

Kroki instalacji



Model 1



1. Naciśnij przycisk światła w górę, aby włączyć ciepłe światło LED i naciśnij go w dół, aby włączyć zimne światło LED. Naciśnij przycisk pośrodku, aby wyłączyć światło LED.
2. Naciśnij przycisk odmglawiania w górę/w dół, aby włączyć/wyłączyć funkcję przeciwmgielną.

Model 2

dla serii T/TD/TDS/LTD



Włącznik światła / kontrola jasności

1. Po pomyślnym podłączeniu lusterka do zasilania przycisk włącznika zaświeci się na niebiesko. Po włączeniu funkcji podświetlenie przycisku zmieni kolor na biały.
2. Dotknij przycisku włącznika oświetlenia, aby włączyć/wyłączyć oświetlenie LED.
3. W przypadku luster z funkcją odmglawiania, poduszka odmglawiacza włączy/wyłączy się automatycznie po włączeniu/wyłączeniu oświetlenia LED.
4. W przypadku lustra z funkcją przyciemniania światła, przytrzymaj przycisk przełącznika, aby dostosować jasność światła.
5. Oszczędność energii: Lustro wyłączy się automatycznie po 3 godzinach czuwania

Model 3

dla serii K/KD



Przełącznik światła/ Regulacja koloru i jasności światła

1. Po pomyślnym podłączeniu lusterka do zasilania przycisk włącznika zaświeci się na niebiesko. Po włączeniu funkcji podświetlenie przycisku zmieni kolor na biały.
2. Dotknij przełącznika światła, aby włączyć światło LED, dotknij ponownie, aby zmienić kolor światła, dotknij ponownie, aby wyłączyć.
3. Przytrzymaj przycisk włącznika światła, aby dostosować jasność.
4. W przypadku luster z funkcją odmglawiania, poduszka odmglawiacza włączy się/wyłączy automatycznie, gdy światło LED jest włączone/wyłączone.
5. Oszczędność energii: Lustro wyłączy się automatycznie po 3 godzinach czuwania

Model 4



- ① Bluetooth
- ② Włacznik światła/ kontrola jasności(lub Odmgławiacz)

1. Po pomyślnym podłączeniu lusterka do zasilania przycisk włacznika zaświeci się na niebiesko. Po włączeniu funkcji podświetlenie przycisku zmieni kolor na biały.
2. Dotknij przycisku włacznika oświetlenia, aby włączyć/ wyłączyć oświetlenie LED.
3. Długie naciśnięcie przycisku włacznika światła umożliwia regulację jasności
4. Dotknij przycisku Bluetooth, aby włączyć lub wyłączyć funkcję Bluetooth. Wyszukaj SG-MUSIC na swoim urządzeniu, aby sparować.
5. Panel odmgławiacza włączy się/wyłączy automatycznie, gdy dioda LED będzie włączona/wyłączona.
6. Oszczędność energii: Lustró wyłączy się automatycznie po 3 godzinach czuwania

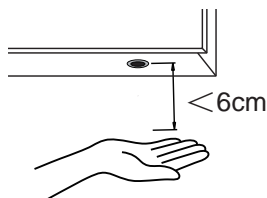
Model 5



- ① Bluetooth
- ② Demister/Ustawienie czasu
- ③ Przełącznik światła/ Regulacja koloru i jasności światła

1. Po pomyślnym podłączeniu lusterka do zasilania przycisk włacznika zaświeci się na niebiesko. Po włączeniu funkcji podświetlenie przycisku zmieni kolor na biały.
2. Dotknij przełącznika światła, aby włączyć światło LED, dotknij ponownie, aby zmienić kolor światła, dotknij ponownie, aby wyłączyć
3. Przytrzymaj długo przycisk przełącznika, aby dostosować jasność
4. Dotknij przycisku odmgławiacza, aby włączyć/wyłączyć funkcję przeciwmgielną
5. Resetowanie godziny i daty:
 - 1) Przytrzymaj przycisk ② przez 3 sekundy, aż zacnie migać numer roku. Dotknij przycisku ② lub ①, aby zwiększyć lub zmniejszyć liczbę do właściwego roku.
 - 2) Przytrzymaj przycisk ②, aby zresetować miesiąc i dzień. Gdy numer miesiąca i dnia zacnie migać, dotknij przycisku ② lub przycisku ①, aby zwiększyć lub zmniejszyć numer do prawidłowego miesiąca i dnia.
 - 3) Powtórz krok 2), aby odpowiednio zresetować minuty i godziny.
 - 4) Ponownie przytrzymaj przycisk ② lub nie wykonuj żadnych czynności przez 5 sekund, aż cyfra przestanie migać, aby wyjść z ustawiania godziny.
6. Dotknij przycisku Bluetooth, aby włączyć lub wyłączyć funkcję Bluetooth. Wyszukaj SG-MUSIC na swoim urządzeniu, aby sparować.

Model 6



Przełącznik czujnika podczerwieni

1. Delikatnie machnij ręką pod czujnikiem (w odległości 6 cm), aby włączyć lub wyłączyć światło.
2. W przypadku lustra z funkcją odmgławiania, podkładka odmgławiająca włączy się/wyłączy automatycznie, gdy światło LED jest włączone/wyłączone.

Uwaga:

Czujnik należy umieścić w odległości co najmniej 35 cm od jakichkolwiek przedmiotów (takich jak kran, zlew lub ściana), aby uniknąć zakłóceń. Aby uzyskać najlepsze rezultaty, należy utrzymywać obszar wykrywania czujnika tak czysty, jak to możliwe.

Model 7



- ① Przełącznik światła
- ② Przycisk regulacji koloru światła i jasności

1. Po pomyślnym podłączeniu lusterka do zasilania przycisk przełącznika zaświeci się na niebiesko. Po włączeniu funkcji podświetlenie przycisku zmienia kolor na biały.
2. Dotknij przycisku włącznika światła, aby włączyć lub wyłączyć światło LED.
3. Gdy światło LED jest włączone, dotknij przycisku M, aby zmienić kolor światła.
4. Gdy światło LED jest włączone, przytrzymaj przycisk M, aby dostosować jasność światła.
5. W przypadku lusterek z funkcją odmgławiania, poduszka odmgławiacza włączy się/wyłączy automatycznie, gdy dioda LED zostanie włączona/wyłączona.
6. Oszczędność energii: Lusterko wyłączy się automatycznie po 3 godzinach czuwania.

Model 8



- ① Odmgławiacz
- ② Przycisk regulacji koloru światła i jasności
- ③ Włącznik światła

1. Po pomyślnym podłączeniu lusterka do zasilania przycisk przełącznika zaświeci się na niebiesko. Po włączeniu funkcji podświetlenie przycisku zmienia kolor na biały.
2. Dotknij przełącznika oświetlenia, aby włączyć/wyłączyć oświetlenie LED i przycisk M.
3. Gdy dioda LED jest włączona, dotknij przycisku M, aby zmienić kolor podświetlenia.
4. Gdy światło LED jest włączone, przytrzymaj przycisk M, aby dostosować jasność światła.
5. Dotknij przycisku odmgławiania, aby włączyć/wyłączyć funkcję przeciwmgielną.
6. Oszczędność energii: Lusterko wyłączy się automatycznie po 3 godzinach czuwania.

Model 9

dla serii TDZ



- ① Przelącznik światła & Regulacja jasności & Ustawienie zegara
- ② Przelącznik demistyfikacji & przycisk ustawiania zegara i daty

1. Po pomyślnym podłączeniu lusterka do zasilania przycisk przełącznika zaświeci się na niebiesko. Po włączeniu funkcji podświetlenie przycisku zmieni kolor na biały.
2. Dotknij przycisku włącznika światła, aby włączyć/wyłączyć światło LED.
3. Gdy dioda LED jest włączona, przytrzymaj przełącznik oświetlenia, aby dostosować jasność światła.
4. Dotknij przycisku odmgławiania, aby włączyć/wyłączyć funkcję przeciwmgielną.
5. Resetowanie godziny i daty:
 - 1) Przytrzymaj długo przycisk ustawiania godziny, aż zacznie migać numer roku. Dotknij przełącznika oświetlenia, aby zwiększyć liczbę do właściwego roku.
 - 2) Ponownie dotknij przycisku ustawiania godziny, aż zacznie migać numer miesiąca/ dnia, dotknij przełącznika światła, aby zwiększyć numer do prawidłowego miesiąca/ dnia.
 - 3) Powtórz krok 2), aby odpowiednio zresetować minuty i godziny.
 - 4) Dotknij ponownie przycisku ustawiania czasu lub nie wykonuj żadnych czynności przez 5 sekund, aż cyfra przestanie migać, aby wyjść z ustawiania czasu.
6. Oszczędzanie energii: Lustro zostanie automatycznie wyłączone po 3 godzinach czuwania

Model 10

dla serii KDZ

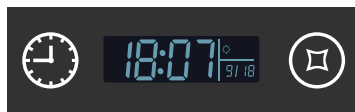


- ① Przelącznik światła & Regulacja jasności & Zmiana kolorów & Ustawienie zegara
- ② Przelącznik demistyfikacji & przycisk ustawiania zegara i daty

1. Po pomyślnym podłączeniu lusterka do zasilania przycisk przełącznika zaświeci się na niebiesko. Po włączeniu funkcji podświetlenie przycisku zmieni kolor na biały.
2. Dotknij przełącznika światła, aby włączyć światło LED, dotknij ponownie, aby zmienić kolor światła, dotknij ponownie, aby wyłączyć.
3. Gdy światło LED jest włączone, przytrzymaj przełącznik światła, aby dostosować jasność światła.
4. Dotknij przycisku odmgławiania, aby włączyć/wyłączyć funkcję przeciwmgielną.
5. Resetowanie godziny i daty:
 - 1) Przytrzymaj długo przycisk ustawiania godziny, aż zacznie migać numer roku. Dotknij przełącznika oświetlenia, aby zwiększyć liczbę do właściwego roku.
 - 2) Ponownie dotknij przycisku ustawiania godziny, aż zacznie migać numer miesiąca/ dnia, dotknij przełącznika światła, aby zwiększyć numer do prawidłowego miesiąca/ dnia.
 - 3) Powtórz krok 2), aby odpowiednio zresetować minuty i godziny.
 - 4) Dotknij ponownie przycisku ustawiania czasu lub nie wykonuj żadnych czynności przez 5 sekund, aż cyfra przestanie migać, aby wyjść z ustawiania czasu.
6. Oszczędzanie energii: Lustro zostanie automatycznie wyłączone po 3 godzinach czuwania.

Modello 11

dla serii TZ



- ① Przycisk ustawiania zegara i daty
- ② Przełącznik światła & regulacja jasności i ustawienie zegara

1. Po pomyślnym podłączeniu lusterka do zasilania przycisk przełącznika zaświeci się na niebiesko. Po włączeniu funkcji podświetlenie przycisku zmieni kolor na biały.
2. Dotknij przycisku włącznika światła, aby włączyć/ wyłączyć światło LED.
3. Przytrzymaj długo przycisk włącznika światła, aby dostosować jasność
4. Resetowanie godziny i daty:
 - 1) Przytrzymaj długo przycisk ustawiania godziny, aż zacznie migać numer roku. Dotknij włącznika światła, aby zwiększyć liczbę do właściwego roku.
 - 2) Ponownie dotknij przycisku ustawiania czasu, aż zacznie migać numer miesiąca/ dnia, dotknij przełącznika światła, aby zwiększyć numer do prawidłowego miesiąca/ dnia.
 - 3) Powtórz krok 2), aby odpowiednio zresetować minuty i godziny.
 - 4) Dotknij ponownie przycisku ustawiania czasu lub nie wykonuj żadnych czynności przez 5 sekund, aż cyfra przestanie migać, aby wyjść z ustawiania czasu.
5. Oszczędzanie energii: Lustro zostanie automatycznie wyłączone po 3 godzinach czuwania.

Modello 12

dla serii KZ



- ① Ustawienie czasu
- ② Przełącznik światła / kolor światła, jasność i regulacja czasu

1. Po pomyślnym podłączeniu lusterka do zasilania przycisk przełącznika zaświeci się na niebiesko. Po włączeniu funkcji podświetlenie przycisku zmieni kolor na biały.
2. Dotknij przełącznika światła, aby włączyć światło LED, dotknij ponownie, aby zmienić kolor światła, dotknij ponownie, aby wyłączyć.
3. Gdy światło LED jest włączone, przytrzymaj przełącznik światła, aby dostosować jasność światła.
4. Resetowanie godziny i daty:
 - 1) Przytrzymaj długo przycisk ustawiania godziny, aż zacznie migać numer roku. Dotknij przełącznika światła, aby zwiększyć liczbę do właściwego roku.
 - 2) Ponownie dotknij przycisku ustawiania czasu, aż zacznie migać numer miesiąca/ dnia, dotknij przełącznika światła, aby zwiększyć numer do prawidłowego miesiąca/ dnia.
 - 3) Powtórz krok 2), aby odpowiednio zresetować minuty i godziny.
 - 4) Dotknij ponownie przycisku ustawiania czasu lub nie wykonuj żadnych czynności przez 5 sekund, aż cyfra przestanie migać, aby wyjść z ustawiania czasu.
5. Oszczędzanie energii: Lustro zostanie automatycznie wyłączone po 3 godzinach czuwania

Modello 13



- ① Odmgławiacz
- ② Włącznik światła/ zmiana kolorów/ kontrola jasności

1. Po pomyślnym podłączeniu lusterka do zasilania przycisk przełącznika zaświeci się na niebiesko. Po włączeniu funkcji podświetlenie przycisku zmieni kolor na biały.
2. Dotknij przycisku włącznika światła, aby włączyć/ wyłączyć światło LED.
3. W przypadku lusterka z funkcją zmiany kolorów dotknij ponownie przycisku włącznika, aby zmienić kolory światła, a następnie dotknij ponownie, aby je wyłączyć.
4. Gdy światło LED jest włączone, przytrzymaj przełącznik światła, aby dostosować jasność światła.
5. Dotknij przycisku odmgławiania, aby włączyć/wyłączyć funkcję przeciwmgielną.
6. Oszczędność energii: Lustro zostanie automatycznie wyłączone po 3 godzinach czuwania
7. Pamięć: Zapisuje ostatnie ustawienie po wyłączeniu światła

Modello 14



- ③ Bluetooth
- ② Odmgławiacz
- ① Włącznik światła/ zmiana kolorów/ kontrola jasności

1. Po pomyślnym podłączeniu lusterka do zasilania przycisk przełącznika zaświeci się na niebiesko. Po włączeniu funkcji podświetlenie przycisku zmieni kolor na biały.
2. Dotknij przełącznika światła, aby włączyć światło LED, dotknij ponownie, aby zmienić kolory światła, dotknij ponownie, aby wyłączyć.
3. Gdy światło LED jest włączone, przytrzymaj przełącznik światła, aby dostosować jasność światła.
4. Dotknij przycisku odmgławiania, aby włączyć/wyłączyć funkcję przeciwmgielną.
5. Dotknij przycisku Bluetooth, aby włączyć/wyłączyć funkcję Bluetooth. Wyszukaj SG-MUSIC na swoim urządzeniu, aby sparować.
6. Oszczędzanie energii: Lusterko zostanie automatycznie wyłączone po 3 godzinach czuwania
7. Pamięć: Zapisuje ostatnie ustawienie po wyłączeniu światła.

Modello 15



Włącznik światła/ zmiana kolorów/ kontrola jasności/Odmgławiacz

1. Po pomyślnym podłączeniu lusterka do zasilania przycisk przełącznika zaświeci się na niebiesko. Po włączeniu funkcji podświetlenie przycisku zmieni kolor na biały.
2. Dotknij przełącznika światła, aby włączyć światło LED, dotknij ponownie, aby zmienić kolory światła, dotknij ponownie, aby wyłączyć.
3. Gdy światło LED jest włączone, przytrzymaj przełącznik światła, aby dostosować jasność światła.
4. W przypadku lusterka z funkcją odmgławiania, poduszka odmgławiacza włączy/wyłączy się automatycznie po włączeniu/wyłączeniu światła LED.
5. Oszczędność energii: Lustro wyłączy się automatycznie po 3 godzinach czuwania.
6. Pamięć: Zapisuje ostatnie ustawienie po wyłączeniu światła.



Pielęgnacja i konserwacja

UWAGA: Do czyszczenia lustra używaj ciepłej wody z mydłem i miękkiej, wilgotnej, niestrzępiącej się szmatki. Wytrzyj do sucha za pomocą kolejnej czysta szmatka. Środek do czyszczenia szkła można w razie potrzeby zastosować na powierzchni lustra. Unikaj druciaków, środków ściernych i chemicznych środków czyszczących, ponieważ mogą one uszkodzić szkło i ramę. W obszarach z twardą wodą na szkło może osadzać się kamień. Regularne czyszczenie zminimalizuje ten problem.

Jeśli to nagromadzenie staje się coraz trudniejsze do usunięcia, nałóż niewielką ilość białego octu na obszar.

- Nie próbuj ciąć szkła.
- Nie uderzaj w szkło twardymi lub ostrymi obiektami.
- Aby zmniejszyć ryzyko uduszenia, elastyczne przewody podłączone do tej oprawy powinny być skutecznie przymocowane do ściany, jeżeli przewody znajdują się w zasięgu ręki.

Wymiana światła LED:

źródło światła zawarte w tym produkcie może być wymieniane wyłącznie przez producenta lub wykwalifikowanego elektryka.

Maksymalny prąd gniazdka golarki: 0.5A

Pasma częstotliwości pracy: 2402-2480 MHz

Maksymalna transmitowana moc częstotliwości radiowej: 8.26 dBm

Opmerkingen: om het product veilig en correct te gebruiken, moet de spiegel worden aangesloten op de draden en de voeding die voldoen aan de IEE-bedradingsvoorschriften. Zorg ervoor dat alle elektrische stroom volledig is uitgeschakeld. Gebruik een aansluitdoos of andere geschikte draadconnectoren om de draden op de hoofdvoeding aan te sluiten; De installatie moet worden uitgevoerd door een professionele elektricien. Een verkeerde installatie kan leiden tot productschade en/of persoonlijk letsel.

* Dit product is alleen geschikt voor gebruik binnenshuis.

Bedradingschema voor ingangsklem

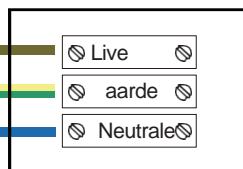
Bruin / rood / zwart



Geel groen / groen



Blauw / zwart / wit



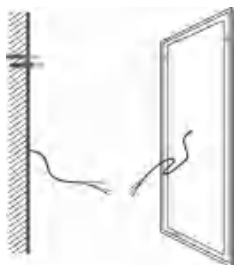
STROOMVOORZIENING

ARMATUREN

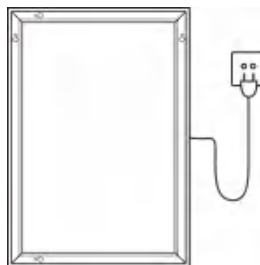
Waarschuwing: Het aardingsstelsel is ontworpen in deze spiegel en de aardendraad moet worden aangesloten om u te beschermen tegen een elektrische schok.

Jos tämän valaisimen ulkoinen taipuisa kaapeli tai johto on vaurioitunut, valmistaja tai tämän huoltoedustaja tai vastaava pätevä henkilö vaihtaa sen yksinomaan vaaran välttämiseksi.

Verbindingsmethode

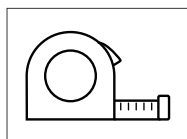


Type muur begraven door draad

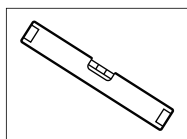


Uitgang

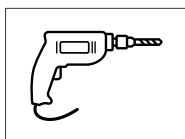
Installatiehulpmiddelen (zoals hieronder weergegeven)



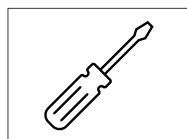
Rolmaat



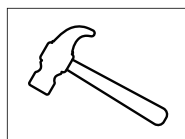
Waterpas



Elektrische boor

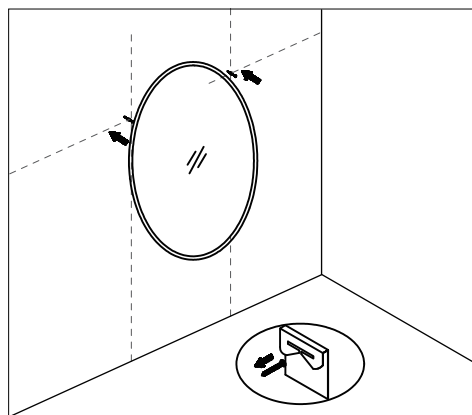
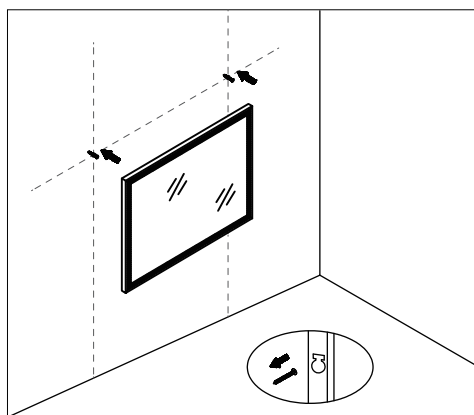
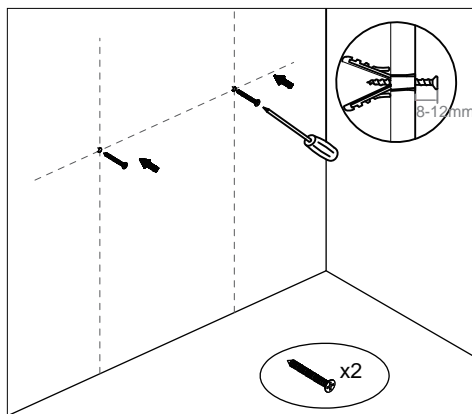
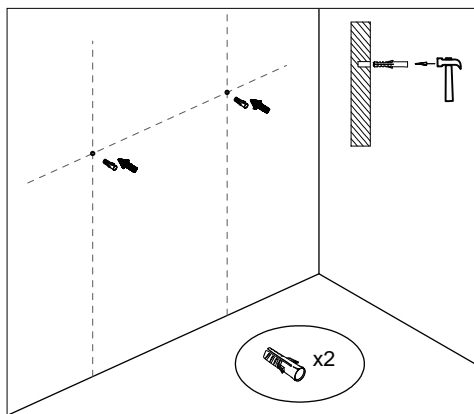
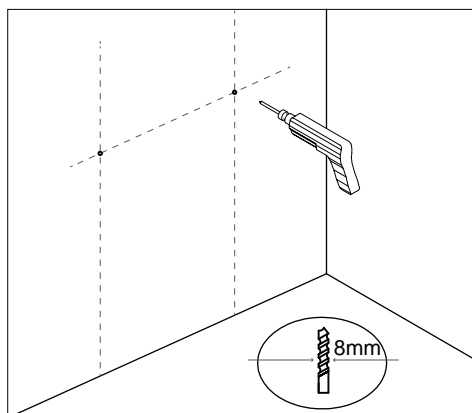
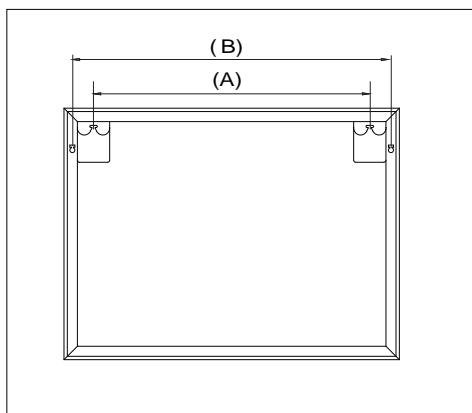


Schroevendraaier

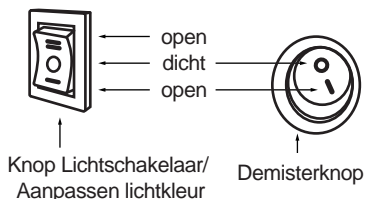


Hamer

Installatiestappen



Model 1



1. Druk de lichtknop omhoog om het warme LED-licht aan te zetten en druk de knop omlaag om het koude LED-licht aan te zetten. Druk op de knop in het midden om het LED-lampje uit te schakelen.
2. Druk de ontwasemingsknop omhoog/omlaag om de anticondensfunctie in of uit te schakelen.

Model 2

voor T/TD/TDS/LTD serie

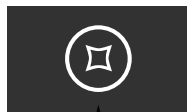


Lichtschakelaar/
helderheidsregeling

1. Wanneer de spiegel met succes op de stroom is aangesloten, licht de schakelknop blauw op. Wanneer de functie is ingeschakeld, wordt het lampje van de knop wit.
2. Raak de lichtschakelaar aan om het LED-licht aan of uit te zetten.
3. Bij spiegels met een antistoffunctie wordt het antistof-filter automatisch in- of uitgeschakeld wanneer het LED-lampje aan of uit gaat.
4. Voor de spiegel met dimmerfunctie houdt u de schakelknop lang ingedrukt om de helderheid van het licht aan te passen.
5. Energiebesparing: De spiegel wordt automatisch uitgeschakeld nadat hij 3 uur stand-by heeft gestaan.

Model 3

voor K/KD serie



Lichtschakelaar/ Aanpassen
lichtkleur en helderheid

1. Wanneer de spiegel met succes op de stroom is aangesloten, licht de schakelknop blauw op. Wanneer de functie is ingeschakeld, wordt het lampje van de knop wit.
2. Raak de lichtschakelaar aan om het LED-licht in te schakelen, raak nogmaals aan om de lichtkleur te veranderen, raak nogmaals aan om uit te schakelen.
3. Houd de lichtschakelaar lang ingedrukt om de helderheid aan te passen.
4. Bij spiegels met een antivervasfunctie wordt de antivervasfunctie automatisch in- of uitgeschakeld wanneer de LED-verlichting aan of uit gaat.
5. Energiebesparing: De spiegel wordt automatisch uitgeschakeld nadat hij 3 uur stand-by heeft gestaan.

Model 4



- ① Bluetooth
- ② Lichtschakelaar/helderheidsregeling (of Ontwaseming)

1. Wanneer de spiegel met succes op de stroom is aangesloten, licht de schakelknop blauw op. Wanneer de functie is ingeschakeld, wordt het lampje van de knop wit.
2. Raak de lichtschakelaar aan om het LED-licht aan of uit te zetten.
3. Druk lang op de lichtschakelaar om de helderheid aan te passen.
4. Raak de Bluetooth-knop aan om de Bluetooth-functie in en uit te schakelen. Zoek naar SG-MUSIC op je apparaat om te koppelen.
5. Het demisterpad gaat automatisch aan/uit wanneer het LED-lampje aan/uit is.
6. Energiebesparing: De spiegel wordt automatisch uitgeschakeld nadat hij 3 uur stand-by heeft gestaan.

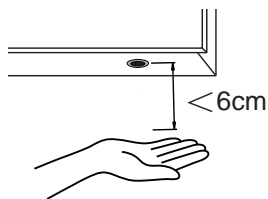
Model 5



- ① Bluetooth
- ② Demister/tijdstelling
- ③ Lichtschakelaar/
Aanpassen lichtkleur en helderheid

1. Wanneer de spiegel met succes op de stroom is aangesloten, licht de schakelknop blauw op. Wanneer de functie is ingeschakeld, wordt het lampje van de knop wit.
2. Raak de lichtschakelaar aan om het LED-licht in te schakelen, raak nogmaals aan om de kleur van het licht te wijzigen, raak nogmaals aan om uit te schakelen.
3. Houd de schakelaarknop lang ingedrukt om de helderheid aan te passen.
4. Raak de ontwasemingsknop aan om de anticondens-functie in of uit te schakelen.
5. De tijd en datum opnieuw instellen:
 - 1) Houd knop ② 3 seconden lang ingedrukt tot het jaartal begint te knipperen. Raak knop ② of ① aan om het nummer te verhogen of te verlagen naar het juiste jaar.
 - 2) Houd knop ② lang ingedrukt om de maand en de dag opnieuw in te stellen. Wanneer het nummer van de maand en de dag beginnen te knipperen, raakt u knop ② of knop ① aan om het nummer te verhogen of te verlagen tot de juiste maand en dag.
 - 3) Herhaal stap 2) om de minuten en uren opnieuw in te stellen.
 - 4) Houd knop ② opnieuw lang ingedrukt of voer gedurende 5 seconden geen handelingen uit totdat het getal stopt met knipperen om de tijdstelling af te sluiten.
6. Raak de Bluetooth-knop aan om de Bluetooth-functie in en uit te schakelen. Zoek SG-MUSIC op uw apparaat om te koppelen.

Model 6



Infrarood sensorschakelaar

1. Zwaai zachtjes met je hand onder de sensor (binnen 6 cm) om het licht aan en uit te zetten.
2. Bij de spiegel met onstoffingsfunctie gaat het onstoffingskussen automatisch aan/uit wanneer het LED-lampje aan/uit is.

Let op:

De sensor moet op minstens 35 cm afstand van objecten (zoals een kraan, gootsteen of muur) worden geplaatst om storing te voorkomen. Houd voor het beste resultaat het detectiegebied van de sensor zo vrij mogelijk.

Model 7



- ① Lichtschakelaar
- ② Aanpassingsknop voor lichtkleur en helderheid

1. Wanneer de spiegel met succes op de stroom is aangesloten, licht de schakelknop blauw op. Wanneer de functie is ingeschakeld, wordt het lampje van de knop wit.
2. Raak de lichtschakelaar aan om het LED-licht aan en uit te schakelen.
3. Wanneer de LED verlichting aan is, raak dan de M knop aan om de kleur van de verlichting te veranderen.
4. Als de LED-lamp aan is, houd je de knop M lang ingedrukt om de helderheid van het licht aan te passen.
5. Bij spiegels met antiverblindingsfunctie schakelt de antiverblindingsplaat automatisch in of uit wanneer het LED-lampje aan of uit gaat.
6. Energiebesparing: De spiegel wordt automatisch uitgeschakeld na 3 uur stand-by te hebben gestaan.

Model 8



- ① Ontwaseming
- ② Aanpassingsknop voor lichtkleur en helderheid
- ③ Lichtschakelaar

1. Wanneer de spiegel met succes op de stroom is aangesloten, licht de schakelknop blauw op. Wanneer de functie is ingeschakeld, wordt het lampje van de knop wit.
2. Raak de lichtschakelaar aan om de LED-verlichting en de M-toets in of uit te schakelen.
3. Wanneer het LED-licht aan is, raak je de M-knop aan om de kleur van het licht te veranderen.
4. Wanneer de LED-lamp aan is, houdt u de knop M lang ingedrukt om de helderheid van het licht aan te passen.
5. Raak de ontwasemingsknop aan om de anticondensfunctie in of uit te schakelen.
6. Energiebesparing: De spiegel wordt automatisch uitgeschakeld na 3 uur stand-by te hebben gestaan.

Model 9

voor TDZ serie



- ① Lichtschakelaar & Helderheidsaanpassing & Klok het Plaatsen
- ② Demister schakelaar & klok en datum instelling knop

1. Wanneer de spiegel met succes op de stroom is aangesloten, licht de schakelknop blauw op. Wanneer de functie is ingeschakeld, wordt het lampje van de knop wit.
2. Raak de lichtschakelaar aan om het LED-licht aan of uit te zetten.
3. Wanneer het LED-licht aan is, houdt u de lichtschakelaar lang ingedrukt om de helderheid van het licht aan te passen.
4. Raak de ontwasemingsknop aan om de anticondensch-functie in of uit te schakelen.
5. De tijd en datum opnieuw instellen:
 - 1) Houd de knop voor het instellen van de tijd lang ingedrukt tot het jaartal begint te knipperen. Raak de lichtschakelaar aan om het getal te verhogen tot het juiste jaar.
 - 2) Raak de knop voor het instellen van de tijd opnieuw aan tot het nummer van de maand/dag begint te knipperen, raak de lichtschakelaar aan om het nummer te verhogen tot de juiste maand/dag.
 - 3) Herhaal stap 2) om de minuten en uren opnieuw in te stellen.
 - 4) Raak de knop voor het instellen van de tijd opnieuw aan of voer gedurende 5 seconden geen handelingen uit totdat het getal stopt met knipperen om het instellen van de tijd af te sluiten.
6. Energiebesparing: De spiegel wordt automatisch uitgeschakeld na 3 uur stand-by te zijn geweest.

Model 10

voor KDZ serie



- ① Lichtschakelaar & Helderheidsaanpassing & Kleuren veranderen & Klok het Plaatsen
- ② Demister schakelaar & klok en datum instelling knop

1. Wanneer de spiegel met succes op de stroom is aangesloten, licht de schakelknop blauw op. Wanneer de functie is ingeschakeld, wordt het lampje van de knop wit.
2. Raak de lichtschakelaar aan om het LED-licht in te schakelen, raak nogmaals aan om de lichtkleur te veranderen, raak nogmaals aan om uit te schakelen.
3. Wanneer de LED-verlichting aan is, houd je de lichtschakelaar lang ingedrukt om de helderheid van de verlichting aan te passen.
4. Raak de ontwasemingsknop aan om de anticondensch-functie in of uit te schakelen.
5. De tijd en datum opnieuw instellen:
 - 1) Houd de knop voor het instellen van de tijd lang ingedrukt tot het jaartal begint te knipperen. Raak de lichtschakelaar aan om het getal te verhogen tot het juiste jaar.
 - 2) Raak de knop voor het instellen van de tijd opnieuw aan tot het nummer van de maand/dag begint te knipperen, raak de lichtschakelaar aan om het nummer te verhogen tot de juiste maand/dag.
 - 3) Herhaal stap 2) om de minuten en uren opnieuw in te stellen.
 - 4) Raak de knop voor het instellen van de tijd opnieuw aan of voer gedurende 5 seconden geen handelingen uit totdat het getal stopt met knipperen om het instellen van de tijd af te sluiten.
6. Energiebesparing: De spiegel wordt automatisch uitgeschakeld na 3 uur stand-by te zijn geweest.

Modello 11

voor TZ serie



- ① Knop voor het instellen van klok en datum
- ② Lichtschakelaar & helderheidsaanpassing & klokinstelling

1. Wanneer de spiegel met succes op de stroom is aangesloten, licht de schakelknop blauw op. Wanneer de functie is ingeschakeld, wordt het lampje van de knop wit.
2. Raak de lichtschakelaar aan om de LED-verlichting in of uit te schakelen.
3. Houd de lichtschakelaar lang ingedrukt om de helderheid aan te passen.
4. De tijd en datum opnieuw instellen:
 - 1) Houd de knop voor het instellen van de tijd lang ingedrukt totdat het jaartal begint te knippen. Raak de lichtschakelaar aan om het getal te verhogen tot het juiste jaar.
 - 2) Raak de knop voor het instellen van de tijd opnieuw aan tot het nummer van de maand/dag begint te knippen, raak de lichtschakelaar aan om het nummer te verhogen tot de juiste maand/dag.
 - 3) Herhaal stap 2) om de minuten en uren opnieuw in te stellen.
 - 4) Raak de knop voor het instellen van de tijd opnieuw aan of voer gedurende 5 seconden geen handelingen uit totdat het getal stopt met knippen om het instellen van de tijd af te sluiten.
5. Energiebesparing: De spiegel wordt automatisch uitgeschakeld na 3 uur stand-by te zijn geweest.

Modello 12

voor KZ serie



- ① Tijd instellen
- ② Lichtschakelaar/ Instellen lichtkleur, helderheid en tijd

1. Wanneer de spiegel met succes op de stroom is aangesloten, licht de schakelknop blauw op. Wanneer de functie is ingeschakeld, wordt het lampje van de knop wit.
2. Raak de lichtschakelaar aan om het LED-licht in te schakelen, raak nogmaals aan om de lichtkleur te veranderen, raak nogmaals aan om uit te schakelen.
3. Wanneer de LED-verlichting aan is, houd je de lichtschakelaar lang ingedrukt om de helderheid van de verlichting aan te passen.
4. De tijd en datum opnieuw instellen:
 - 1) Houd de knop voor het instellen van de tijd lang ingedrukt totdat het jaartal begint te knippen. Raak de lichtschakelaar aan om het getal te verhogen tot het juiste jaar.
 - 2) Raak de knop voor het instellen van de tijd opnieuw aan tot het nummer van de maand/dag begint te knippen, raak de lichtschakelaar aan om het nummer te verhogen tot de juiste maand/dag.
 - 3) Herhaal stap 2) om de minuten en uren opnieuw in te stellen.
 - 4) Raak de knop voor het instellen van de tijd opnieuw aan of voer gedurende 5 seconden geen handelingen uit totdat het getal stopt met knippen om het instellen van de tijd af te sluiten.
5. Energiebesparing: De spiegel wordt automatisch uitgeschakeld na 3 uur stand-by te zijn geweest.

Modello 13



- ① Ontwaseming
- ② Lichtschakelaar/kleuren veranderen/
helderheidsregeling

1. Wanneer de spiegel met succes op de stroom is aangesloten, licht de schakelknop blauw op. Wanneer de functie is ingeschakeld, wordt het lampje van de knop wit.
2. Raak de lichtschakelaar aan om de LED-verlichting in of uit te schakelen.
3. Voor de spiegel met kleurwisselfunctie, raak de lichtschakelaar nogmaals aan om de lichtkleuren te veranderen en raak nogmaals aan om uit te schakelen.
4. Wanneer het LED-licht aan is, houdt u de lichtschakelaar lang ingedrukt om de helderheid van het licht aan te passen.
5. Raak de ontwasemingsknop aan om de anticondensfunctie in of uit te schakelen.
6. Energiebesparing: De spiegel wordt automatisch uitgeschakeld na 3 uur stand-by te hebben gestaan.
7. Geheugen: Sla de laatste instelling op wanneer het licht uit is

Modello 14



- ③ Bluetooth
- ② Ontwaseming
- ① Lichtschakelaar/kleuren veranderen/
helderheidsregeling

1. Wanneer de spiegel met succes op de stroom is aangesloten, licht de schakelknop blauw op. Wanneer de functie is ingeschakeld, wordt het lampje van de knop wit.
2. Raak de lichtschakelaar aan om het LED-licht in te schakelen, raak nogmaals aan om de lichtkleuren te wijzigen, raak nogmaals aan om de lichtkleuren te wijzigen, raak nogmaals aan om uit te schakelen.
3. Als de LED-verlichting aan is, houd je de lichtschakelaar lang ingedrukt om de helderheid van de verlichting aan te passen.
4. Raak de ontwasemingsknop aan om de anticondensfunctie in of uit te schakelen.
5. Raak de Bluetooth-knop aan om de Bluetooth-functie in of uit te schakelen. Zoek naar SG-MUSIC op je apparaat om te koppelen.
6. Energiebesparing: De spiegel wordt automatisch uitgeschakeld na 3 uur stand-by te hebben gestaan.
7. Geheugen: Sla de laatste instelling op wanneer het licht uit is.

Modello 15



- Lichtschakelaar/kleuren veranderen/
helderheidsregeling/Ontwaseming

1. Wanneer de spiegel met succes op de stroom is aangesloten, licht de schakelknop blauw op. Wanneer de functie is ingeschakeld, wordt het lampje van de knop wit.
2. Raak de lichtschakelaar aan om de LED-verlichting in te schakelen, raak nogmaals aan om de lichtkleuren te wijzigen, raak nogmaals aan om uit te schakelen.
3. Wanneer de LED-verlichting aan is, houdt u de lichtschakelaar lang ingedrukt om de helderheid van de verlichting aan te passen.
4. Bij spiegels met antiverblindingsfunctie schakelt de antiverblindingsplaat automatisch in of uit wanneer de LED-verlichting aan of uit is.
5. Energiebesparing: De spiegel wordt automatisch uitgeschakeld na 3 uur stand-by te hebben gestaan.
6. Geheugen: Sla de laatste instelling op wanneer het licht uit is.



Verzorging & onderhoud

OPMERKING: Gebruik warm zeepsop en een zachte, vochtige, pluïsvrije doek om de spiegel schoon te maken. Veeg het droog met nog een schone doek. Glasreiniger kan indien nodig op het spiegelloppervlak worden gebruikt. Vermijd schuursponsjes, schuurmiddelen en chemische reinigingsmiddelen omdat deze het glas en het frame kunnen beschadigen. In gebieden met hard water kan kalkaanslag op het glas afzetten. Door regelmatig schoon te maken, wordt dit probleem geminimaliseerd.

Als deze aanslag steeds moeilijker te verwijderen is, breng dan een kleine hoeveelheid witte azijn aan op het gebied.

- Probeer niet om het glas te snijden.
- Raak het glas niet met harde of scherpe objectieven.
- Om het risico van verwurging te beperken, moet de flexibele bedrading die met deze armatuur is verbonden, doeltreffend aan de muur worden bevestigd als de bedrading binnen handbereik is

Vervanging van led-verlichting:

de lichtbron in dit product mag alleen worden vervangen door de fabrikant of een gekwalificeerde elektricien.

Maximale stroomuitgang scheerapparaat: 0.5A

Frequentieband: 2402-2480 MHz

Maximaal uitgezonden radiofrequentievermogen: 8.26 dBm

Anmärkningar: För att kunna använda produkten säkert och korrekt måste spegeln vara ansluten till trådarna och strömförsörjningen som överensstämmer med IEE -föreskrifterna. Se till att all elektrisk ström har stängts av helt. Använd en kopplingsdosa eller andra riktiga kabelanslutningar för att ansluta ledningar i enlighet med huvudströmförsörjningen; Installationen måste utföras av en professionell elektriker. Fel installation kan leda till produktskada eller / och personskada.

* Denna produkt är endast lämplig för inomhusbruk.

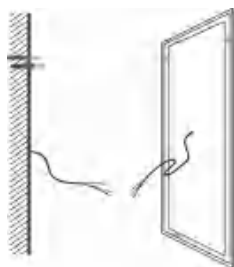
Diagrama de conexión para terminal de entrada



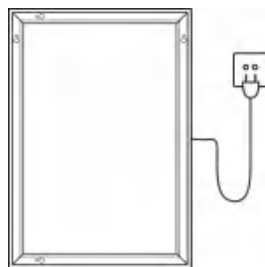
Varning: Jordningssystemet är utformat i denna spegel och jordkabeln måste anslutas för att skydda dig från en elektrisk stöt.

Om den externa flexibla kabeln eller sladden till denna armatur skadas ska den uteslutande bytas ut av tillverkaren, dennes serviceagent eller en liknande kvalificerad person för att undvika fara.

Anslutningsmetod

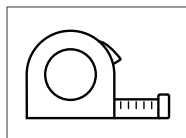


Infälld väggtyp

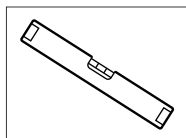


vägg plugg

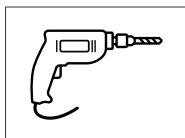
Installationsverktyg (enligt nedan)



Måttband



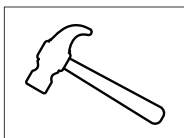
Andenivå



Elektrisk borr

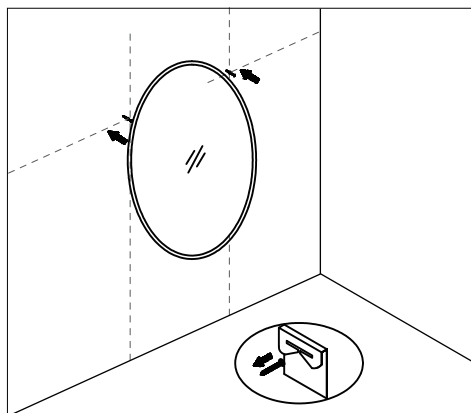
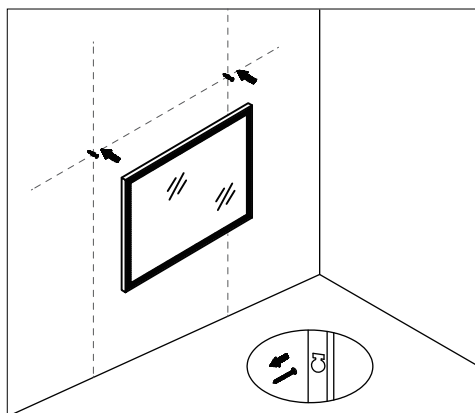
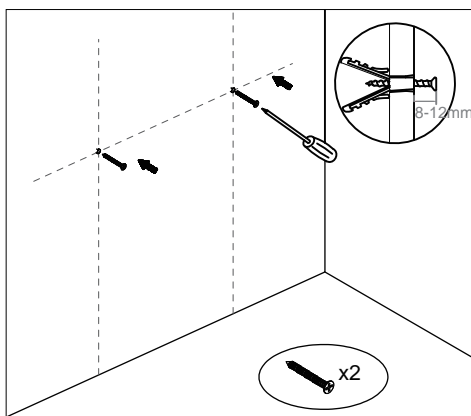
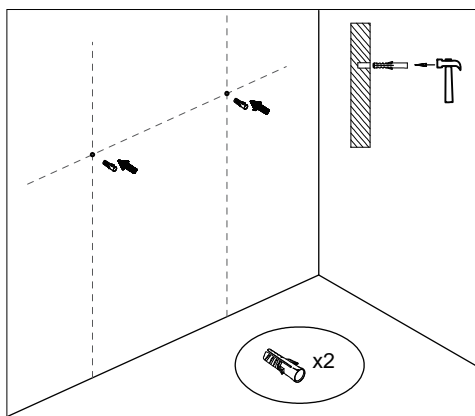
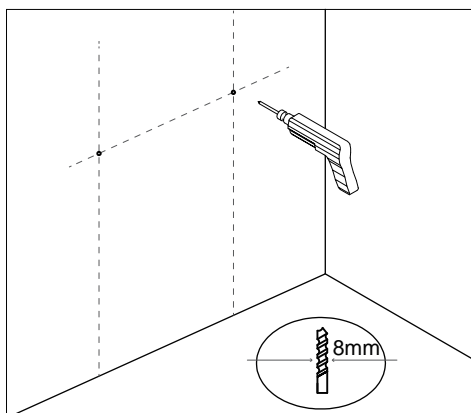
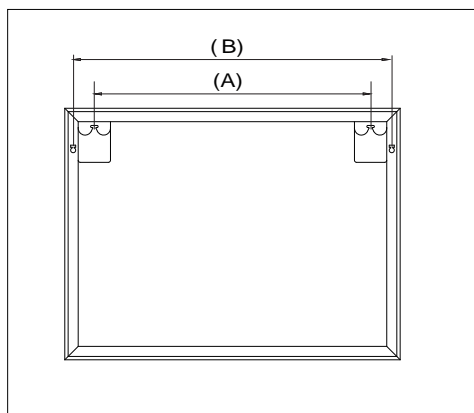


Skruvmejsel

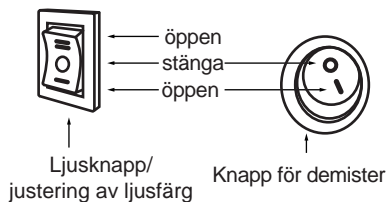


Hammare

Installationssteg



Modell 1



1. Tryck upp ljusknappen för att tända den varma LED-lampan och tryck ner den för att tända den kalla LED-lampan. Tryck på knappen i mitten för att släcka LED-lampan.
2. Tryck på demisterknappen upp/ner för att slå på/av imskyddsfunktionen.

Modell 2

för T/TD/TDS/LTD-serien



Ljusbrytare/ljusstyrka

1. När spegeln har anslutits till elnätet lyser omkopplarknappen blått. När funktionen är påslagen övergår knappens ljus till vitt.
2. Tryck på knappen för att tända/släcka LED-lampan.
3. För speglar med demisterfunktion kommer demisterpattan att slås på/av automatiskt när LED-lampan är på/av.
4. För spegeln med dimmerfunktion, håll in strömbrytaren länge för att justera ljusstyrkan.
5. Energibesparande: Spegeln stängs av automatiskt efter att ha varit i standby-läge i 3 timmar

Modell 3

för K/KD-serien



Ljusströmbrytare/justering av ljusfärg och ljusstyrka

1. När spegeln har anslutits till elnätet lyser omkopplarknappen blått. När funktionen är påslagen övergår knappens ljus till vitt.
2. Tryck på strömbrytaren för att tända LED-lampan, tryck igen för att ändra ljusfärg och tryck igen för att stänga av.
3. Håll ljusknappen intryckt länge för att justera ljusstyrkan.
4. För speglar med demisterfunktion kommer demisterpattan att tändas/släckas automatiskt när LED-lampan tänds/släckes.
5. Energibesparande: Spegeln stängs av automatiskt efter att ha varit i standby-läge i 3 timmar

Modell 4



- ① Blåtand
- ② Ljusbrytare/ljusstyrka (eller Demister)

1. När spegeln har anslutits till elnätet lyser omkopplarknappen blått. När funktionen är påslagen övergår knappens ljus till vitt.
2. Tryck på knappen för att tända/släcka LED-lampan.
3. Tryck länge på ljusknappen för att justera ljusstyrkan.
4. Tryck på Bluetooth-knappen för att slå på eller av Bluetooth-funktionen. Sök efter SG-MUSIC på din enhet för att para ihop.
5. Demisterplattan slås på/av automatiskt när LED-lampan är på/av.
6. Energibesparande: Spegeln stängs av automatiskt efter att ha varit i standby-läge i 3 timmar.

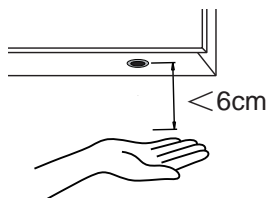
Modell 5



- ① Bluetooth
- ② Demister/Tidsinställning
- ③ Ljusströmbrytare/justering av ljusfärg och ljusstyrka

1. När spegeln har anslutits till elnätet lyser omkopplarknappen blått. När funktionen är påslagen övergår knappens ljus till vitt.
2. Tryck på strömbrytaren för att tända LED-lampan, tryck igen för att ändra ljusfärg, tryck igen för att stänga av.
3. Håll knappen intryckt länge för att justera ljusstyrkan.
4. Tryck på demisterknappen för att slå på/av imskyddsfunktionen.
5. Återställa tid och datum:
 - 1) Håll knappen ② intryckt i 3 sekunder tills årtalet börjar blinka. Tryck på knappen ② eller ① för att öka eller minska siffran till rätt år.
 - 2) Håll knappen ② intryckt länge för att återställa månad och dag. När numret för månad och dag börjar blinka trycker du på knappen ② eller knappen ① för att öka eller minska numret till rätt månad och dag.
 - 3) Upprepa steg 2) för att återställa minuten och timmen på motsvarande sätt.
 - 4) Håll knappen ② intryckt länge igen eller utför inte någon åtgärd på 5 sekunder tills siffran slutar blinka för att avsluta tidsinställningen.
6. Tryck på Bluetooth-knappen för att slå på och av Bluetooth-funktionen. Sök efter SG-MUSIC på din enhet för att parkoppla.

Modell 6



Infraröd sensorströmställare

1. Vifta försiktigt med handen under sensorn (inom 6 cm) för att tända och släcka lampan.
2. För speglar med avfuktningfunktion tänds/slås avfuktningsskudden automatiskt när LED-lampan tänds/slås av.

Observera:

Sensorn måste placeras minst 35 cm från alla föremål (t.ex. kran, handfat eller vägg) för att undvika störningar. För bästa resultat bör sensorns detekteringsområde hållas så fritt som möjligt.

Modell 7



- ① Ljusströmbrytare ② Justeringsknapp för ljus färg och ljusstyrka

1. När spegeln har anslutits till elnätet lyser omkopplarknappen blått. När funktionen är påslagen övergår knappens ljus till vitt.
2. Tryck på strömbrytarknappen för att tända och släcka LED-lampan.
3. När LED-lampan är tänd, tryck på M-knappen för att ändra ljusfärg.
4. När LED-lampan är tänd håller du M-knappen intryckt länge för att justera ljusstyrkan.
5. För speglar med avfuktningfunktion tänds/släcks avfuktningsskudden automatiskt när LED-lampan tänds/släcks.
6. Energibesparande: Spegeln stängs av automatiskt efter att ha varit i standby-läge i 3 timmar.

Modell 8



- ① Demister ② Justeringsknapp för ljus färg och ljusstyrka ③ Ljusbrytare

1. När spegeln har anslutits till elnätet lyser omkopplarknappen blått. När funktionen är påslagen övergår knappens ljus till vitt.
2. Tryck på strömbrytaren för att slå på/av LED-lampan och M-knappen.
3. När LED-lampan är tänd, tryck på M-knappen för att ändra ljusfärg.
4. När LED-lampan är tänd håller du M-knappen intryckt länge för att justera ljusstyrkan.
5. Tryck på demisterknappen för att slå på/av imskyddsfunktionen.
6. Energibesparande: Spegeln stängs av automatiskt efter att ha varit i standby-läge i 3 timmar.

Modell 9

för TDZ-serien



- ① Ljusbrytare & Ljusstyrka & Klockinställning
- ② Avstängningsknapp & Klock- och datuminställningsknapp

1. När spegeln har anslutits till elnätet lyser omkopplarknappen blått. När funktionen är påslagen övergår knappens ljus till vitt.
2. Tryck på knappen för att tända/släcka LED-lampan.
3. När LED-lampan är tänd kan du justera ljusstyrkan genom att hålla in strömbrytaren länge.
4. Tryck på demisterknappen för att slå på/av imskyddsfunktionen.
5. Återställ tid och datum:
 - 1) Håll tidsinställningsknappen intryckt länge tills årtalet börjar blinka. Tryck på ljusknappen för att öka siffran till rätt årtal.
 - 2) Tryck på tidsinställningsknappen igen tills numret för månad/dag börjar blinka, tryck på ljusknappen för att öka numret till rätt månad/dag.
 - 3) Upprepa steg 2) för att återställa minut och timme.
 - 4) Tryck på tidsinställningsknappen igen eller gör ingenting under 5 sekunder tills siffran slutar blinka för att avsluta tidsinställningen.
6. Energibesparing: Spegeln stängs av automatiskt efter att ha varit i standby-läge i 3 timmar.

Modell 10

för KDZ-serien



- ① Ljusbrytare & Ljusstyrka & Färger som ändras & Klockinställning
- ② Avstängningsknapp & Klock- och datuminställningsknapp

1. När spegeln har anslutits till elnätet lyser omkopplarknappen blått. När funktionen är påslagen övergår knappens ljus till vitt.
2. Tryck på strömbrytaren för att tända LED-lampan, tryck igen för att ändra ljusfärg och tryck igen för att stänga av.
3. När LED-lampan är tänd kan du justera ljusstyrkan genom att hålla in strömbrytaren länge.
4. Tryck på demisterknappen för att slå på/av imskyddsfunktionen.
5. Återställ tid och datum:
 - 1) Håll tidsinställningsknappen intryckt länge tills årtalet börjar blinka. Tryck på ljusknappen för att öka siffran till rätt årtal.
 - 2) Tryck på tidsinställningsknappen igen tills numret för månad/dag börjar blinka, tryck på ljusknappen för att öka numret till rätt månad/dag.
 - 3) Upprepa steg 2) för att återställa minut och timme.
 - 4) Tryck på tidsinställningsknappen igen eller gör ingenting under 5 sekunder tills siffran slutar blinka för att avsluta tidsinställningen.
6. Energibesparing: Spegeln stängs av automatiskt efter att ha varit i standby-läge i 3 timmar.

Modell 11

för TZ-serien



- ① Knapp för inställning av klocka och datum
- ② Ljusbrytare & Justering av ljusstyrka & Klockinställning

1. När spegeln har anslutits till elnätet lyser omkopplarknappen blått. När funktionen är påslagen övergår knappens ljus till vitt.
2. Tryck på strömbrytarknappen för att tända/släcka LED-lampan.
3. Håll knappen intryckt länge för att justera ljusstyrkan.
4. Återställ tid och datum:
 - 1) Håll tidsinställningsknappen intryckt länge tills årtalet börjar blinka. Tryck på strömbrytaren för att öka siffran till rätt år.
 - 2) Tryck på tidsinställningsknappen igen tills numret för månad/dag börjar blinka, tryck på strömbrytaren för att öka numret till rätt månad/dag.
 - 3) Upprepa steg 2) för att återställa minut och timme.
 - 4) Tryck på tidsinställningsknappen igen eller gör ingenting under 5 sekunder tills siffran slutar blinka för att avsluta tidsinställningen.
5. Energibesparing: Spegeln stängs av automatiskt efter att ha varit i standby-läge i 3 timmar.

Modell 12

för KZ-serien



- ① Inställning av tid
- ② Ljusströmbrytare/ Ljusfärg, ljusstyrka och tidsinställning

1. När spegeln har anslutits till elnätet lyser omkopplarknappen blått. När funktionen är påslagen övergår knappens ljus till vitt.
2. Tryck på strömbrytaren för att tända LED-lampan, tryck igen för att ändra ljusfärg och tryck igen för att stänga av.
3. När LED-lampan är tänd, håll ljusströmbrytaren intryckt för att justera ljusstyrkan.
4. Återställ tid och datum:
 - 1) Håll tidsinställningsknappen intryckt länge tills årtalet börjar blinka. Tryck på strömbrytaren för att öka siffran till rätt år.
 - 2) Tryck på tidsinställningsknappen igen tills numret för månad/dag börjar blinka, tryck på strömbrytaren för att öka numret till rätt månad/dag.
 - 3) Upprepa steg 2) för att återställa minut och timme.
 - 4) Tryck på tidsinställningsknappen igen eller gör ingenting under 5 sekunder tills siffran slutar blinka för att avsluta tidsinställningen.
5. Energibesparing: Spegeln stängs av automatiskt efter att ha varit i standby-läge i 3 timmar.

Modell 13



- ① Demister
- ② Ljusbrytare/färger ändras/ljusstyrka

1. När spegeln har anslutits till elnätet lyser omkopplarknappen blått. När funktionen är påslagen övergår knappens ljus till vitt.
2. Tryck på strömbrytarknappen för att tända/släcka LED-lampan.
3. För speglar med färgskiftande funktion, tryck på strömbrytaren igen för att ändra ljusfärg och tryck sedan igen för att stänga av.
4. När LED-lampan är tänd kan du justera ljusstyrkan genom att hålla ljusströmbrytaren intryckt länge.
5. Tryck på demisterknappen för att slå på/av imskyddsfunktionen.
6. Energibesparande: Spegeln stängs av automatiskt efter att ha varit i standby-läge i 3 timmar.
7. Minne: Spara den senaste inställningen när lampan släcks

Modell 14



- ③ Blåtand
- ② Demister
- ① Ljusbrytare/färger ändras/ljusstyrka

1. När spegeln har anslutits till elnätet lyser omkopplarknappen blått. När funktionen är påslagen övergår knappens ljus till vitt.
2. Tryck på strömbrytaren för att tända LED-lampan, tryck igen för att ändra ljusfärg, tryck igen för att stänga av.
3. När LED-lampan är tänd kan du justera ljusstyrkan genom att hålla ljusströmbrytaren intryckt länge.
4. Tryck på demisterknappen för att slå på/av imskyddsfunktionen.
5. Tryck på Bluetooth-knappen för att slå på/av Bluetooth-funktionen. Sök efter SG-MUSIC på din enhet för att para ihop.
6. Energisparande: Spegeln stängs av automatiskt efter att ha varit i standby-läge i 3 timmar.
7. Minne: Spara den senaste inställningen när lampan släcks.

Modell 15



Ljusbrytare/färger ändras/
ljusstyrka/Demister

1. När spegeln har anslutits till elnätet lyser omkopplarknappen blått. När funktionen är påslagen övergår knappens ljus till vitt.
2. Tryck på strömbrytaren för att tända LED-lampan, tryck igen för att ändra ljusfärg, tryck igen för att stänga av.
3. När LED-lampan är tänd kan du justera ljusstyrkan genom att hålla ljusströmbrytaren intryckt länge.
4. För speglar med demisterfunktion kommer demisterplattan att slås på/av automatiskt när LED-lampan är på/av.
5. Energibesparande: Spegeln stängs av automatiskt efter att ha varit i standby-läge i 3 timmar.
6. Minne: Spara den senaste inställningen när lampan släcks.



Skötsel och underhåll

OBS: Använd varmt tvålvatten och en mjuk, fuktig, luddfri trasa för att rengöra spegeln. Torka av det med ännu en ren trasa. Glasrengöringsmedel kan användas på spegelytan vid behov. Undvik skurkar, slipmedel och kemiska rengöringsmedel eftersom de kan skada glaset och ramen. I områden med hårt vatten kan kalk ansamlas på glaset. Regelbunden rengöring minimerar detta problem.

Om denna ansamling blir allt svårare att ta bort, applicera en liten mängd vit vinäger på området.

- Försök inte att skära glaset.
- Slå inte mot glaset med hårda eller skarpa mål.
- För att minska risken för strypning ska den flexibla ledningen som är ansluten till denna armatur vara effektivt fastsatt i väggen om ledningen är inom räckhåll för en arm.

LED-ljusbyte:

Ljuskällan i denna produkt får endast bytas ut av tillverkaren eller en kvalificerad elektriker.

Rakapparatuttag maximal strömuttag: 0.5A

Operativt frekvensband: 2402-2480 MHz

Maximal överförd radiofrekvensseffekt: 8.26 dBm

CE UK
CA



FR
Cet appareil se recycle

A DÉPOSER EN MAGASIN

A DÉPOSER EN DÉCHÈTRIE

OU

Points de collecte sur www.quefairdemesdechets.fr
Privilégiez la réparation ou le don de votre appareil !