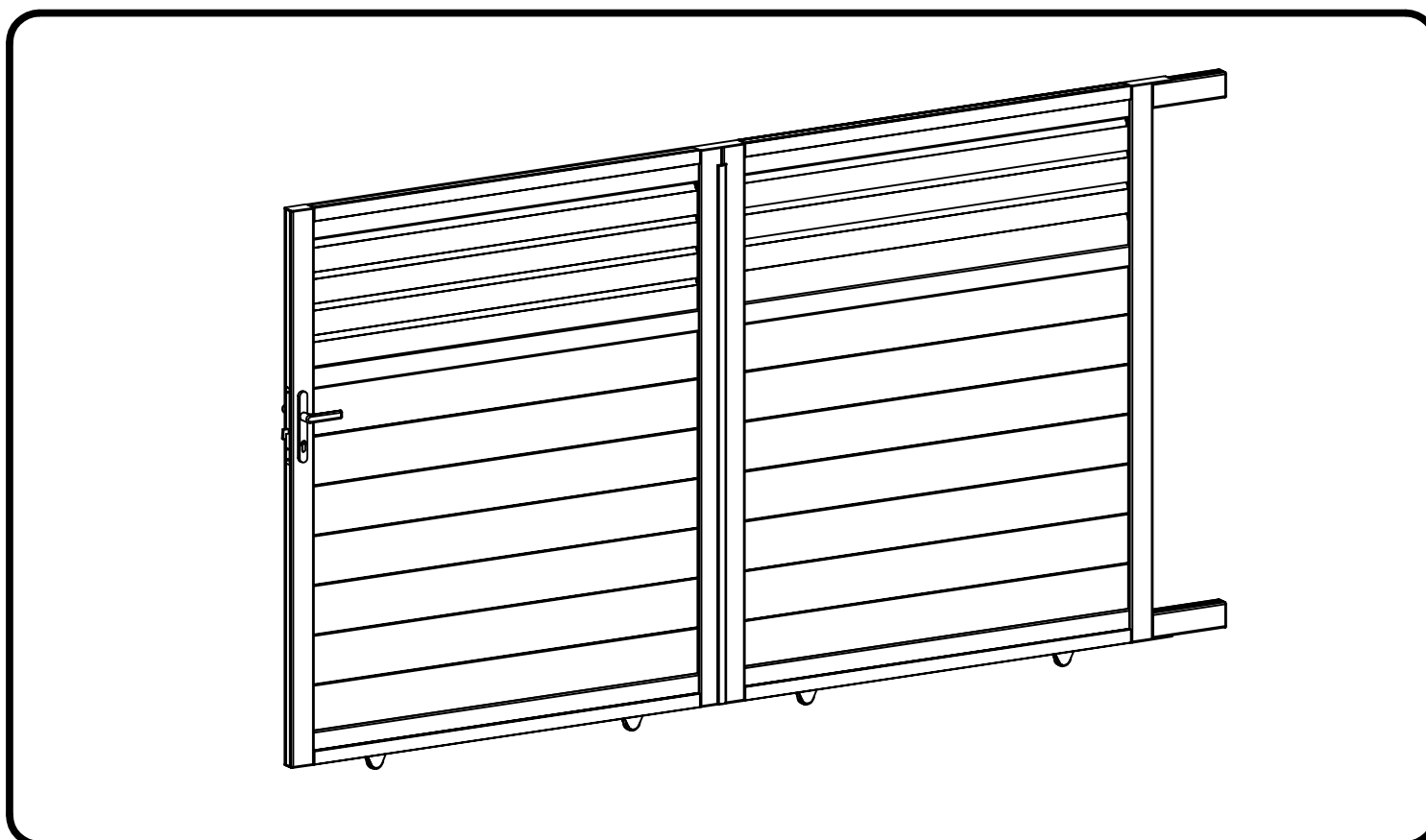


CASANOVO

CARPATIA 300C180



7-8H



x2

COM-000131

[x1]

COM-000132

[x1]

COM-000133

[x1]

FR

EN

ES

DE

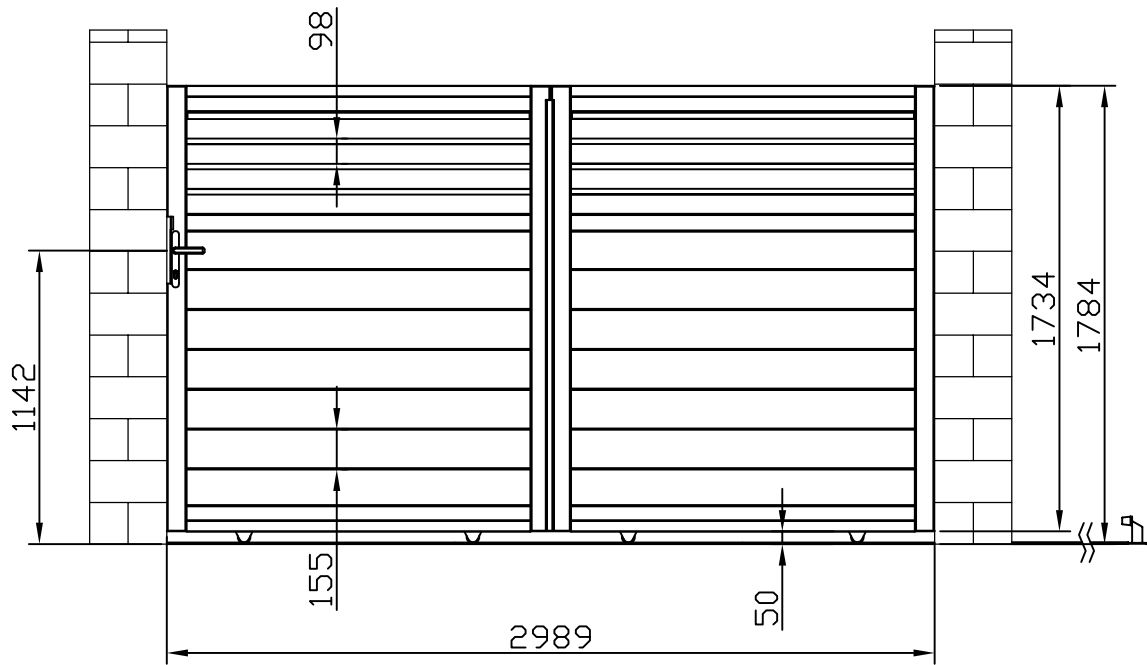
IT

NL

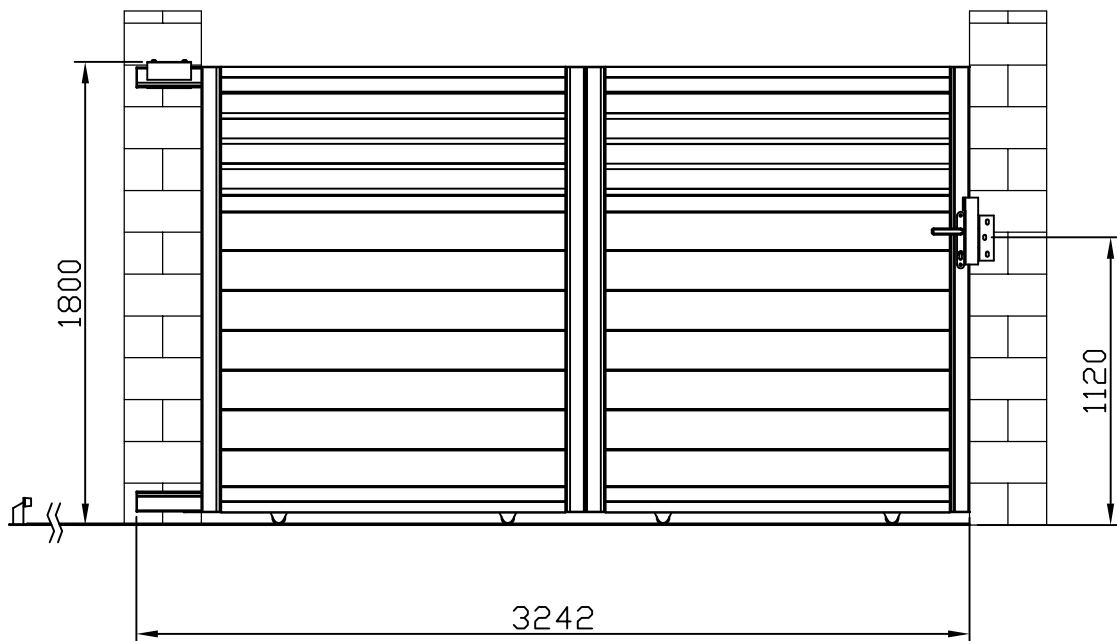
PL

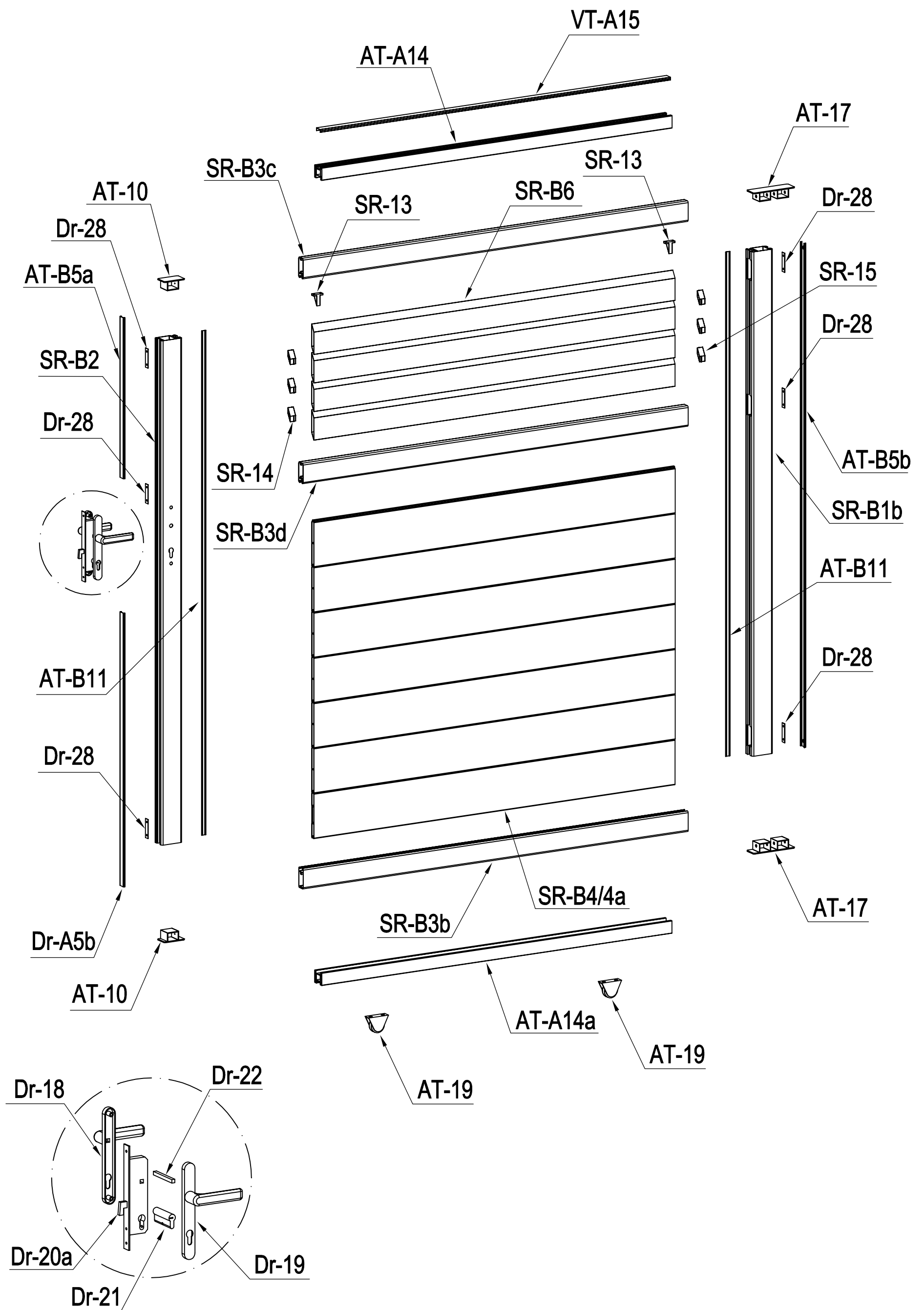


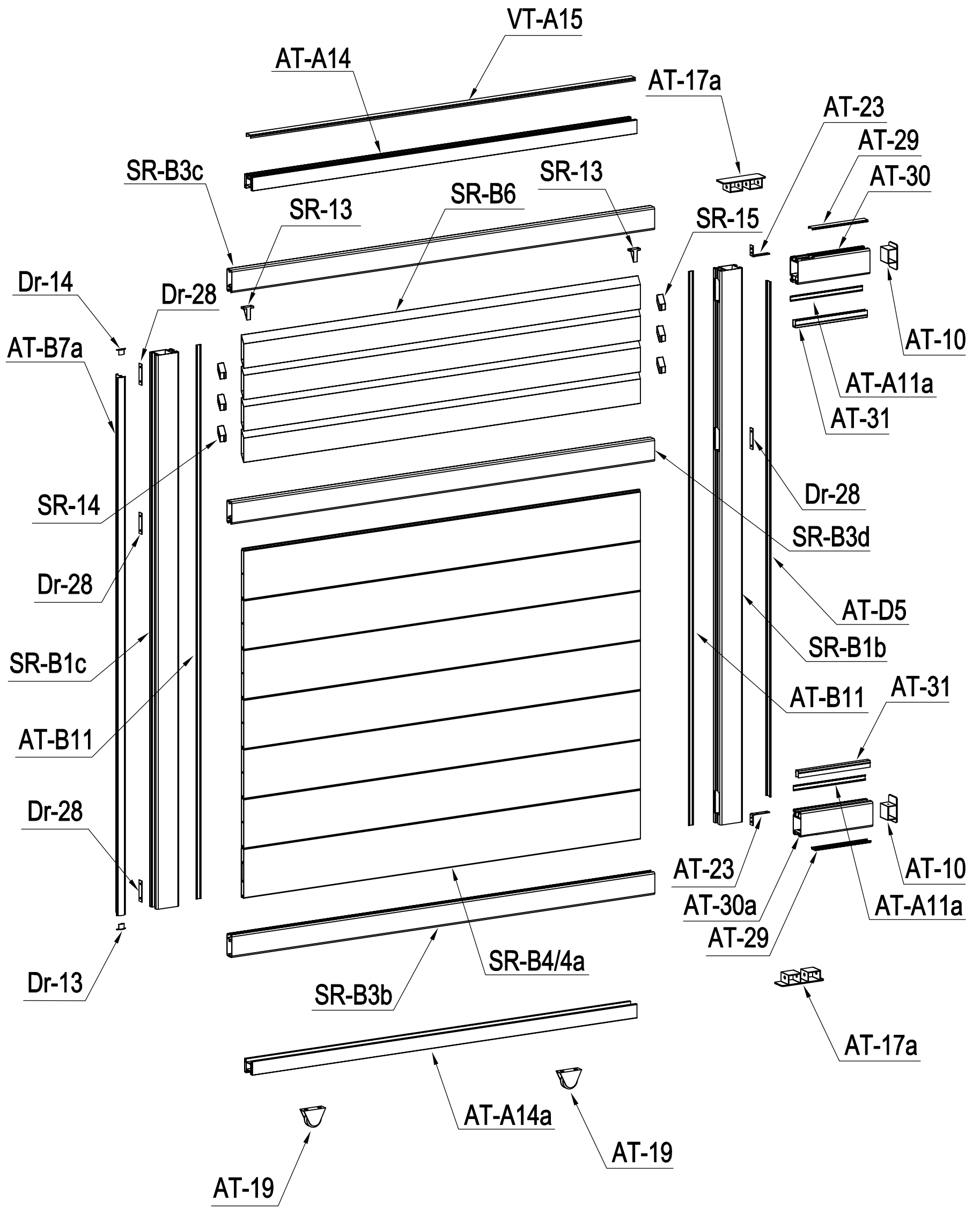
Ext.

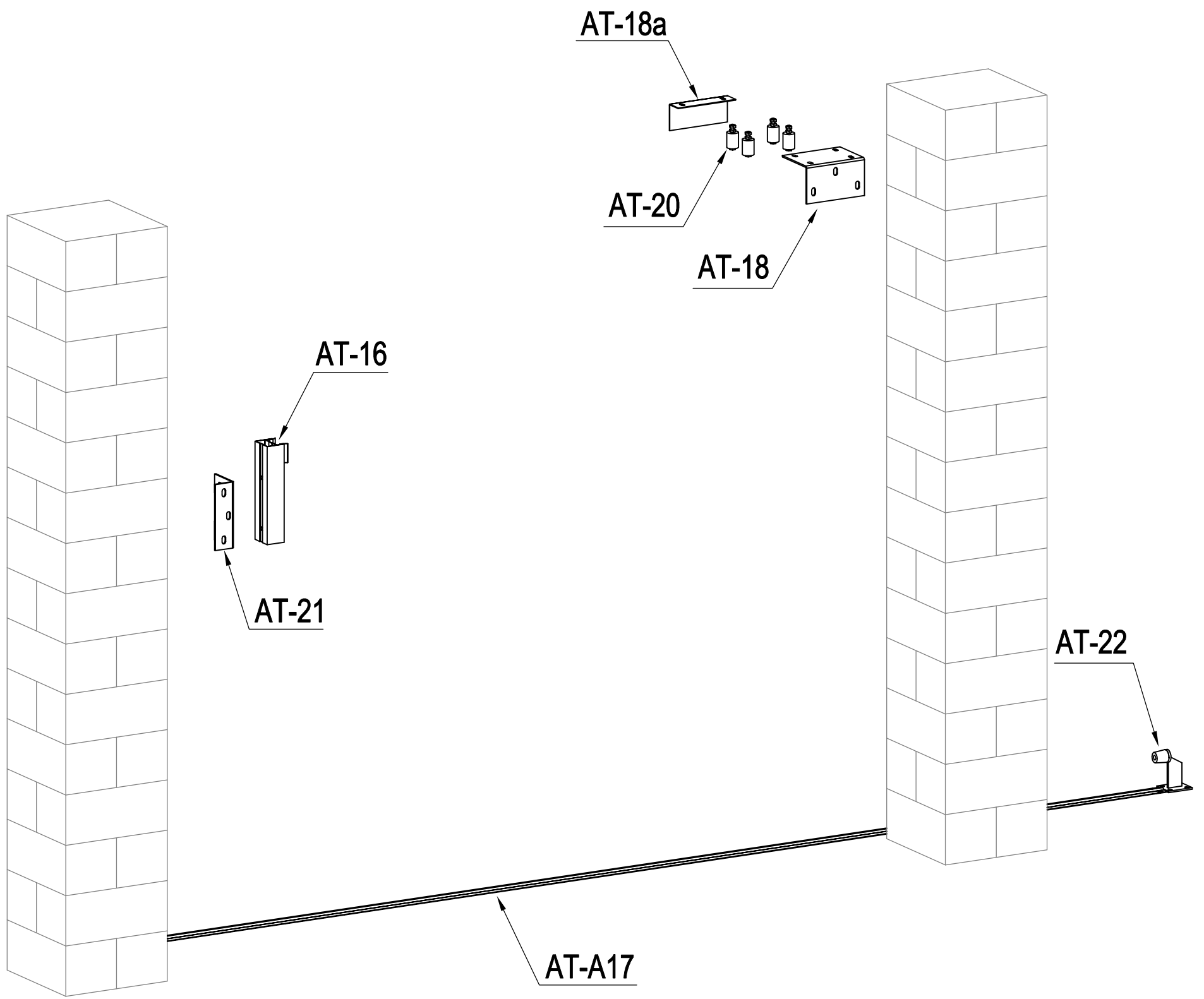


Int.

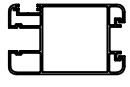




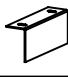
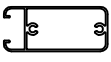



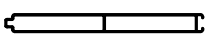

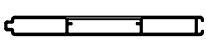

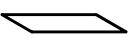
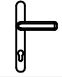
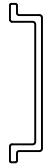
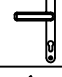


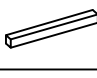

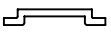

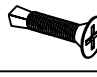
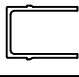



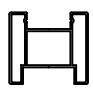
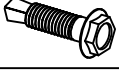

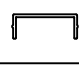
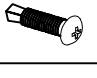

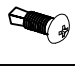


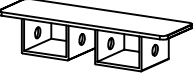

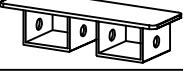

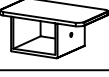
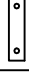
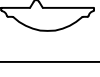



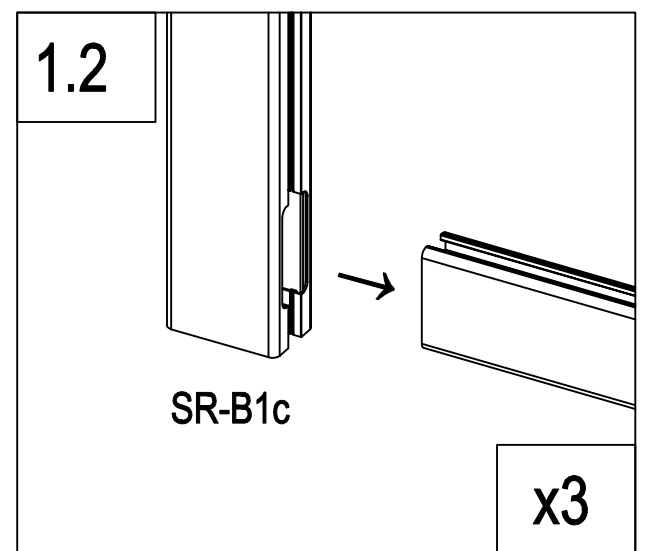
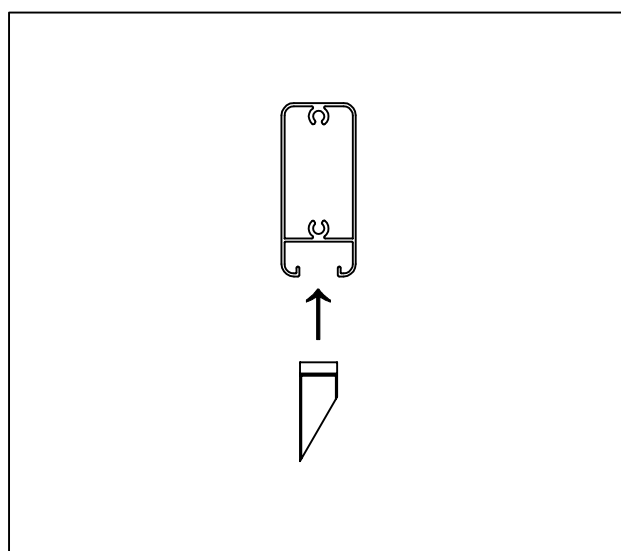
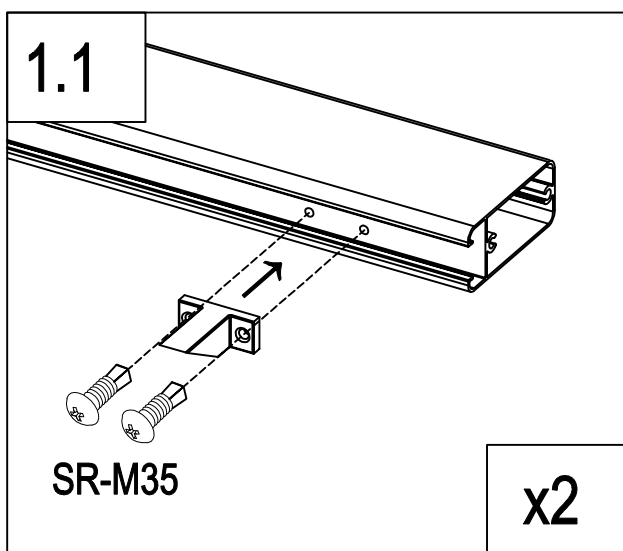
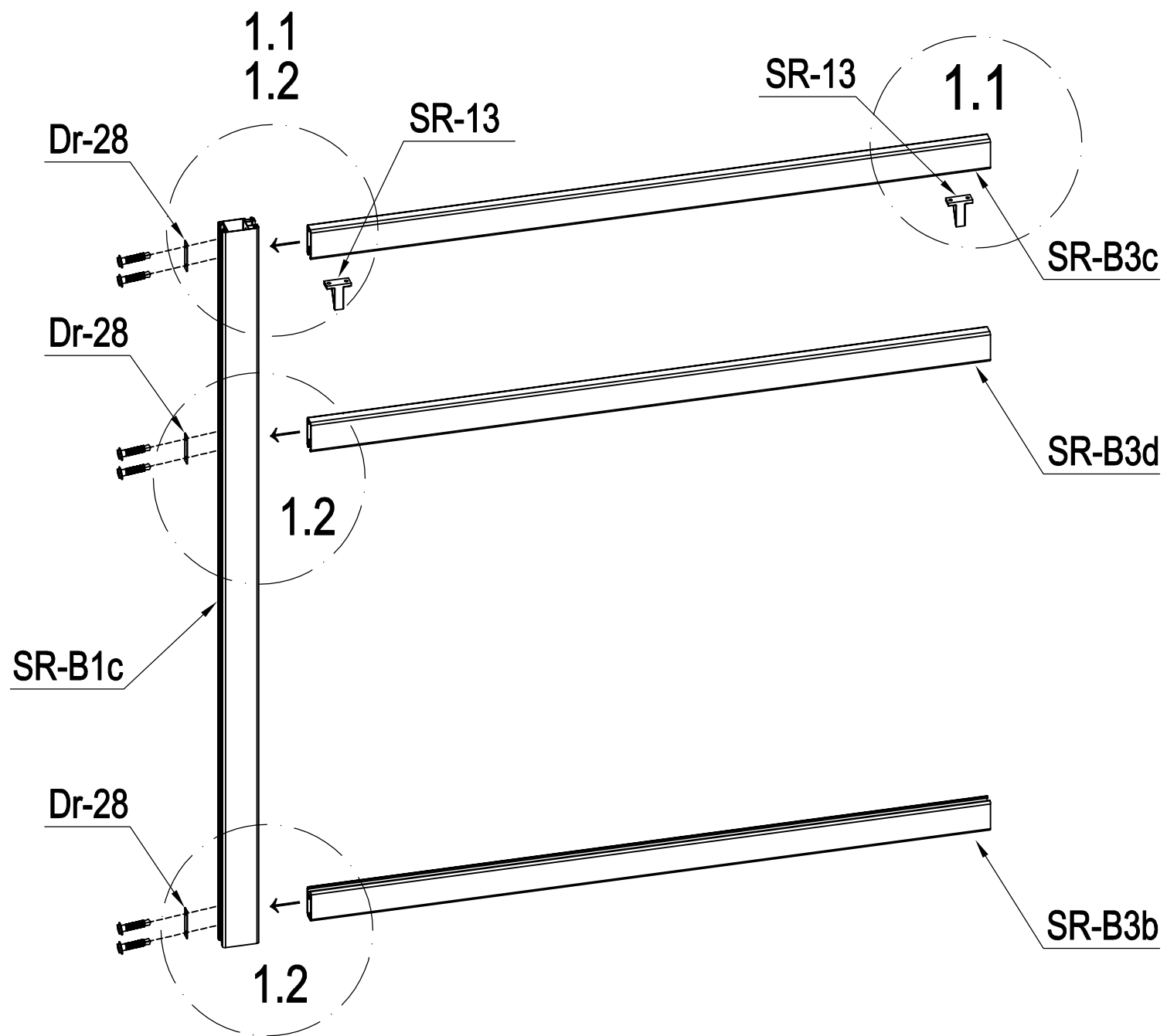




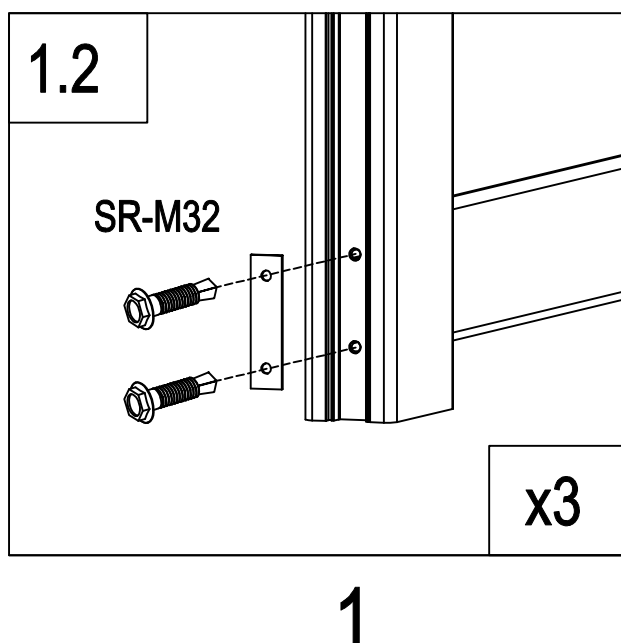


PART LIST

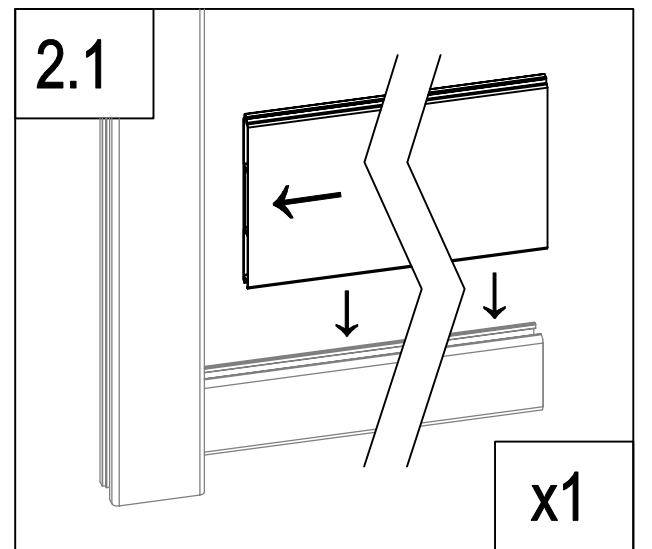
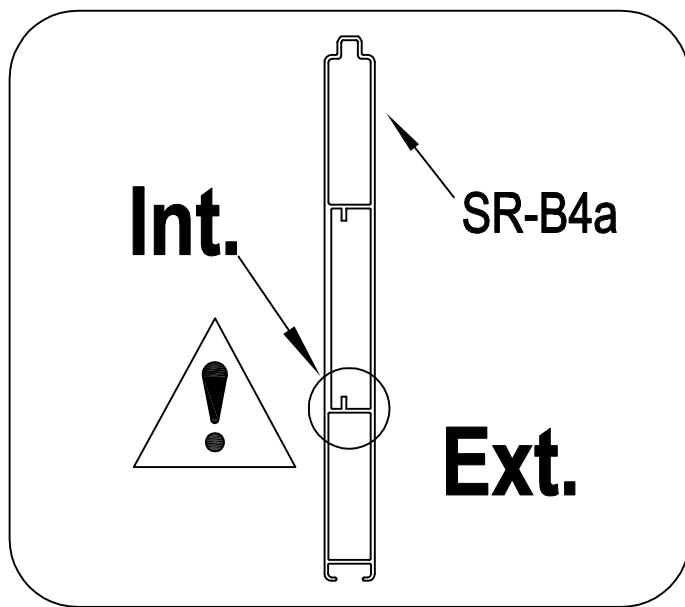
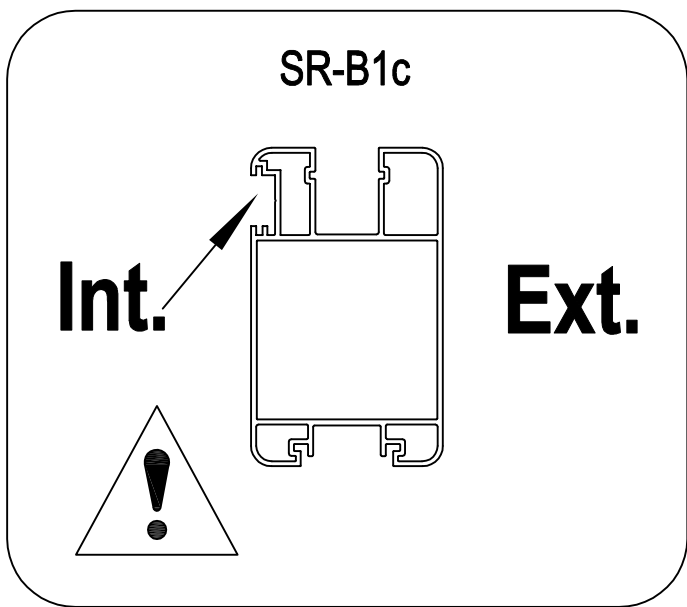
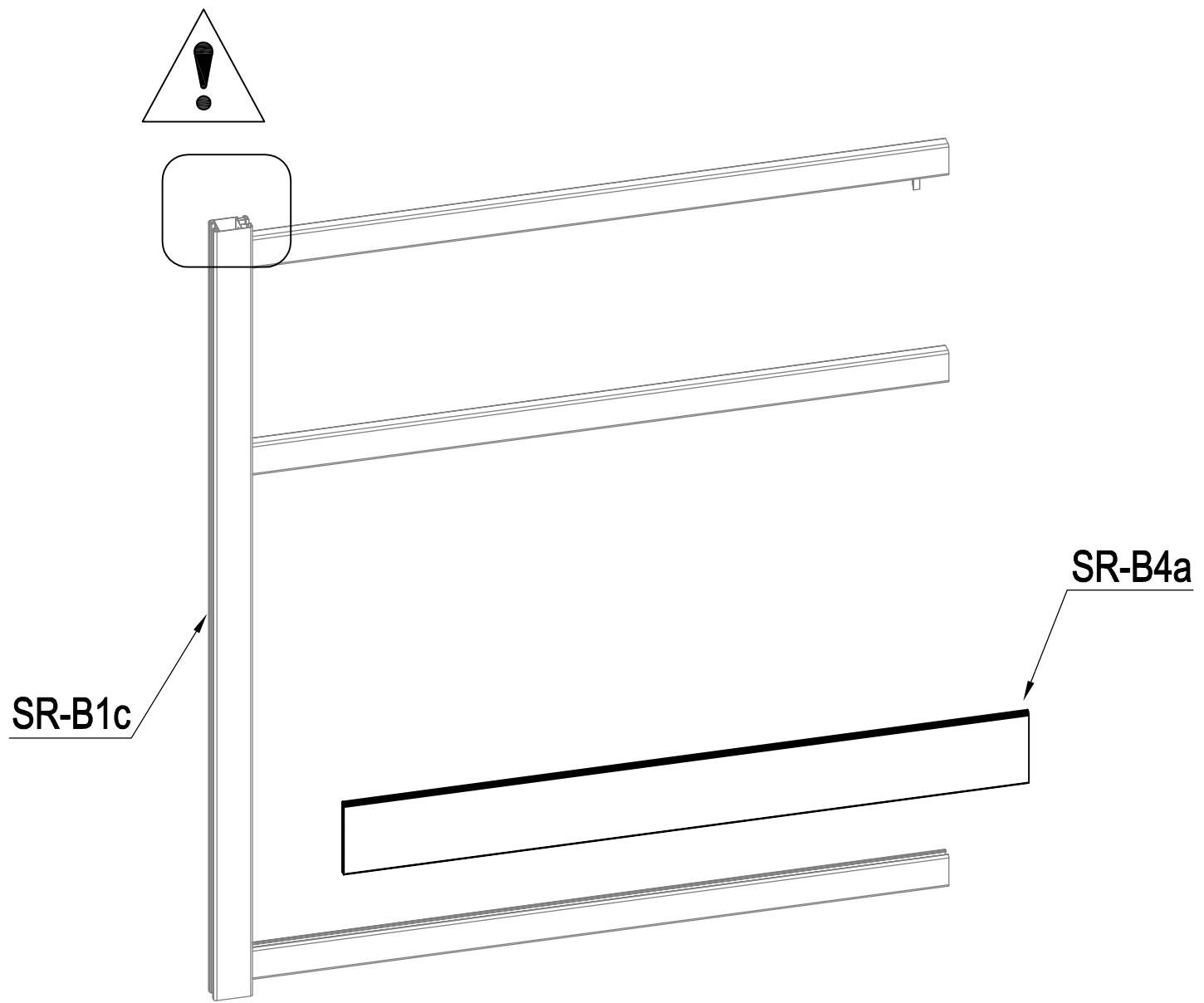
IMAGE	NO.	L.(mm)	QTY	IMAGE	NO.	L.(mm)	QTY
	SR-B1b	1728	2		SR-13		4
	SR-B1c	1728	1		SR-14		6
	SR-B2	1728	1		SR-15		6
	AT-30	250	1		AT-18		1
	AT-30a	250	1		AT-18a		1
	SR-B3b	1471	2		AT-19		4
	SR-B3c	1471	2		AT-20		4
	SR-B3d	1471	2		AT-21		1
	SR-B4	1380	12		AT-22		1
	SR-B4a	1380	2		AT-23		2
	SR-B6	1380	8		Dr-18		1
	AT-D5	1603	1		Dr-19		1
	AT-B5a	550.5	1		Dr-20a		1
	Dr-A5b	937	1		Dr-21		1
	AT-B5b	1728	1		Dr-22		1
	AT-29	193	2		Dr-25		1
	AT-B11	1728	4		Dr-25a		2
	AT-A11a	250	2		Dr-27		2
	AT-31	250	2		SR-M30		4
	AT-B7a	1675	1		SR-M31		10
	AT-A14	1338	2		SR-M32		36
	AT-A14a	1338	2		SR-M33		4
	VT-A15	1337	2		SR-M34		72
	AT-16	260	1		SR-M35		14
	AT-A17	1212	5		SR-M36		2
	AT-17		2		SR-M37		8
	AT-17a		2		SR-M38		40
	AT-10		4		Dr-28		10
	Dr-13		1				
	Dr-14		1				



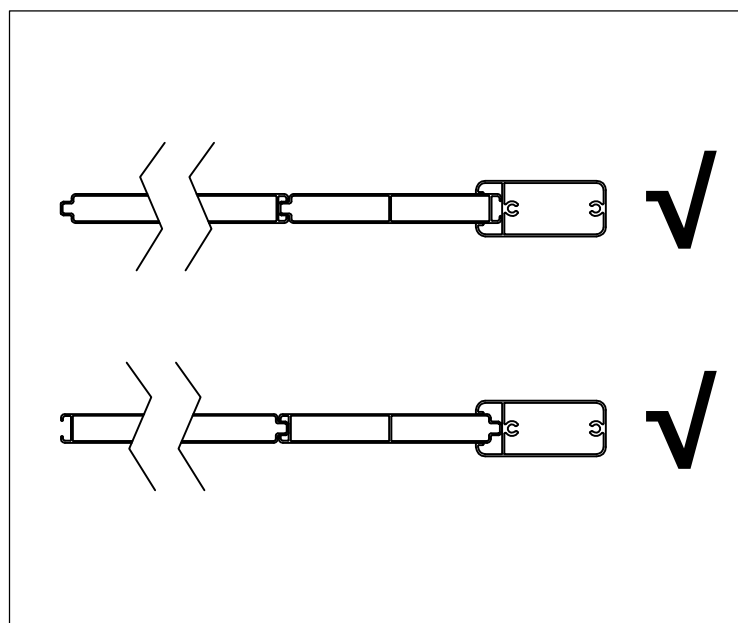
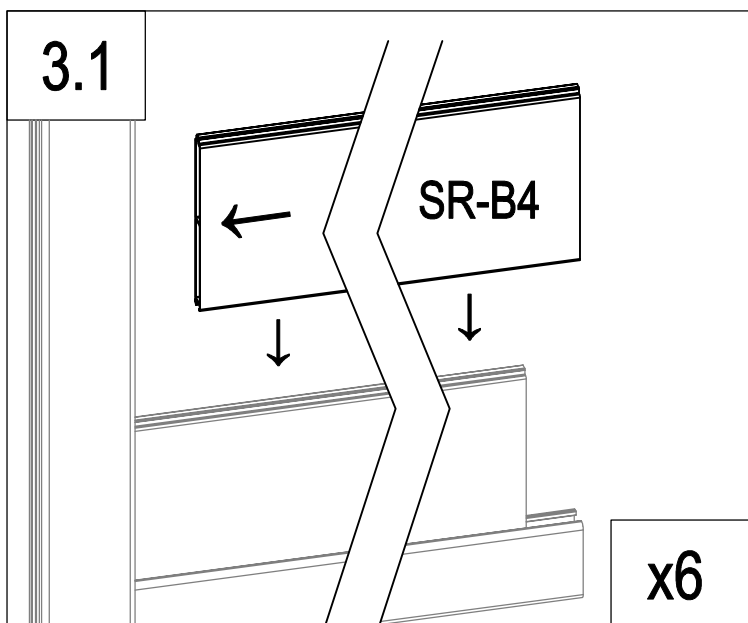
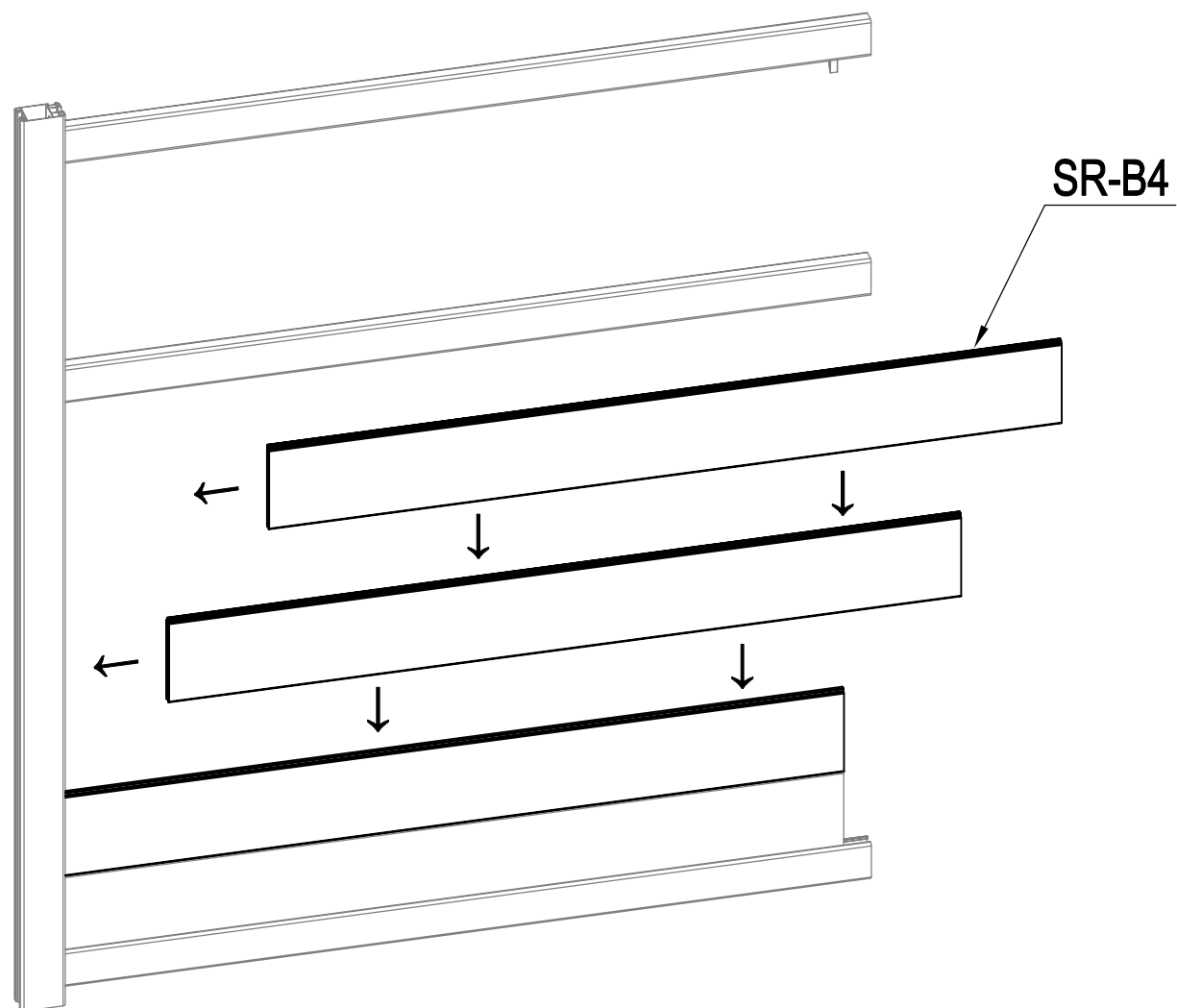
	SR-B1c	1
	SR-B3b	1
	SR-B3c	1
	SR-B3d	1

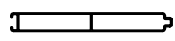


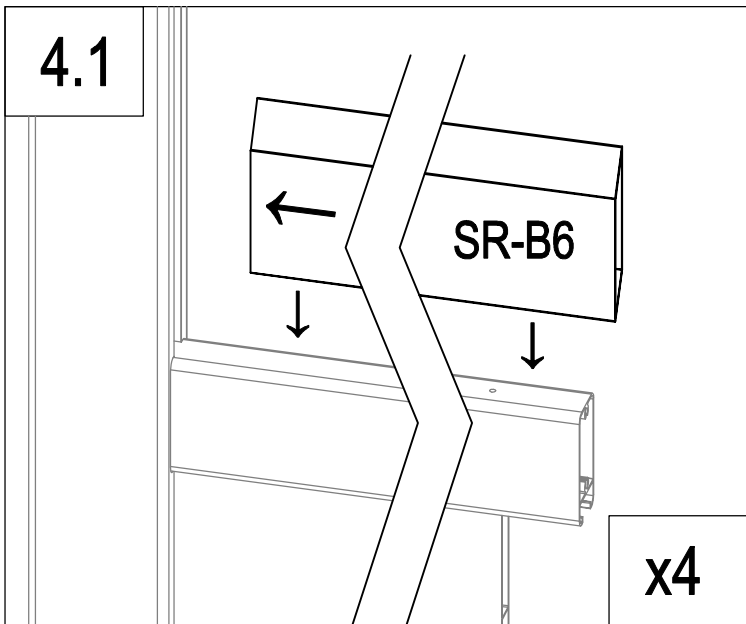
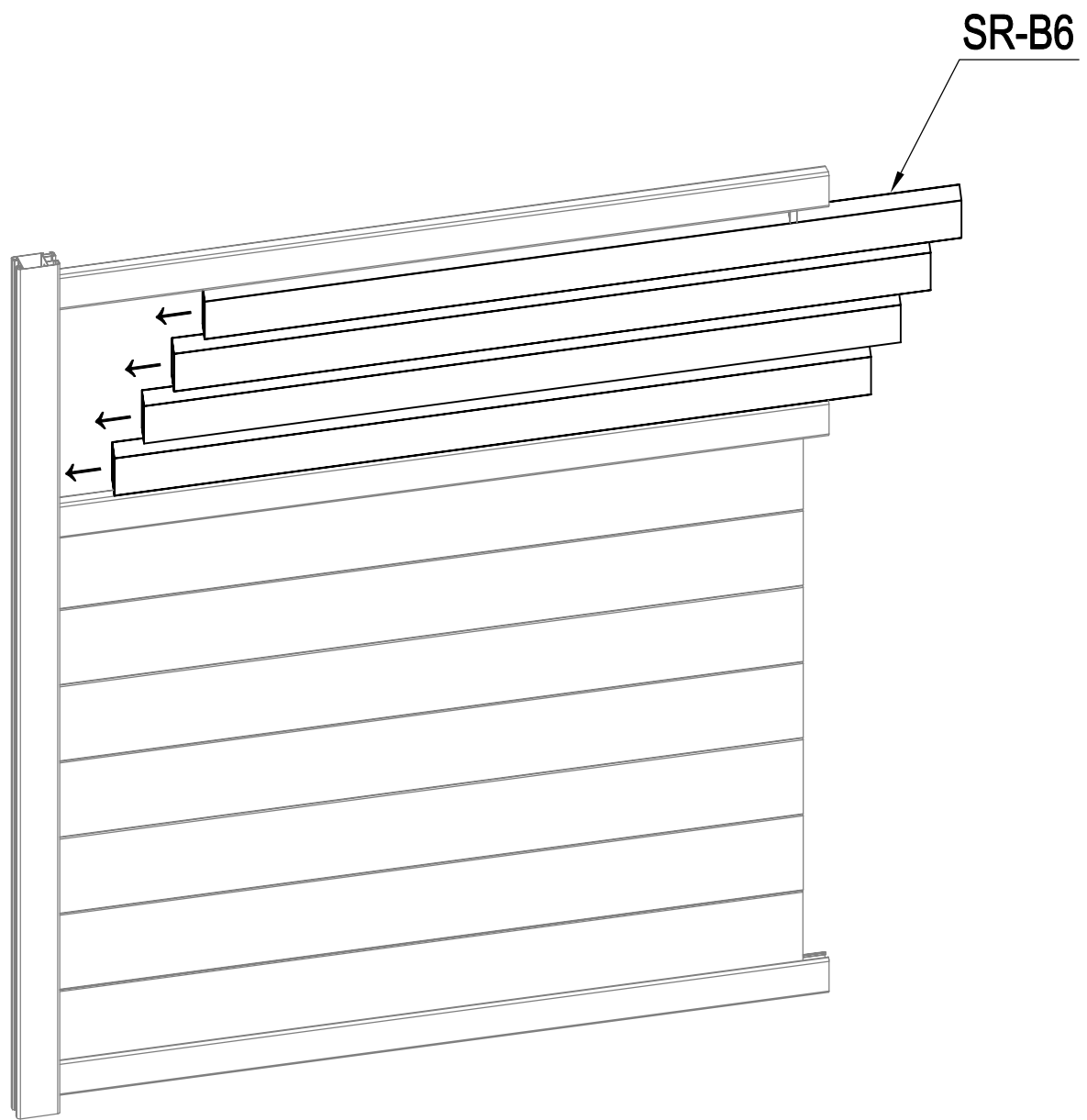
	SR-13	2
	SR-28	3
	SR-M35	4
	SR-M32	6

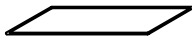


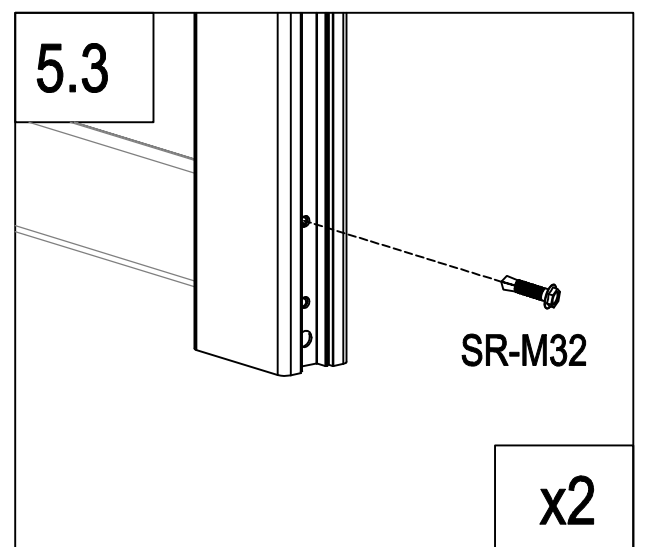
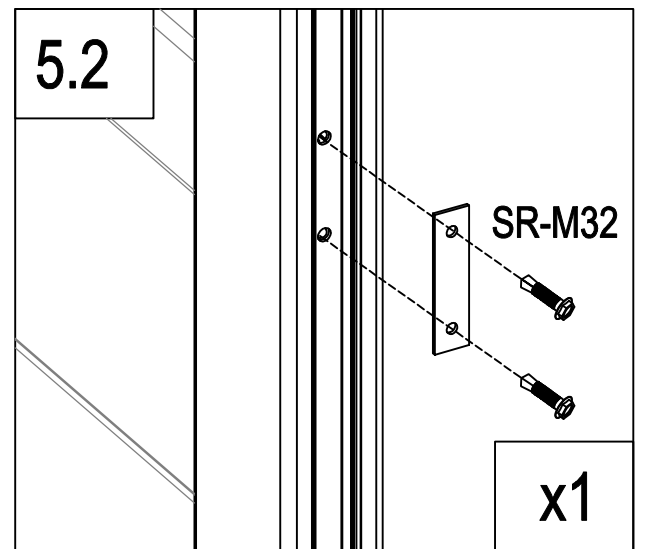
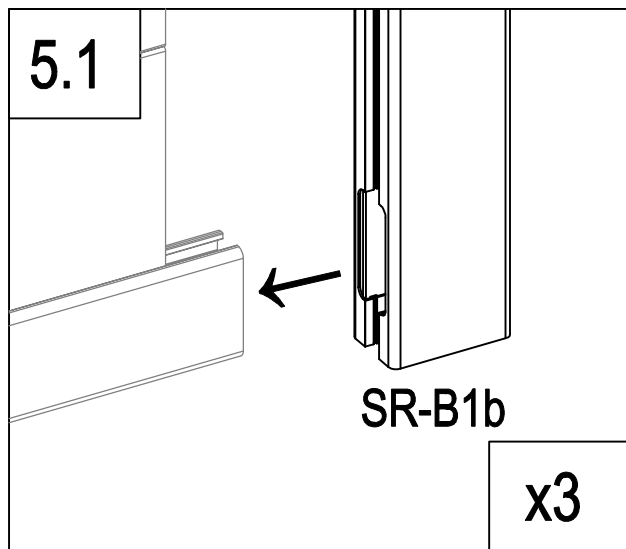
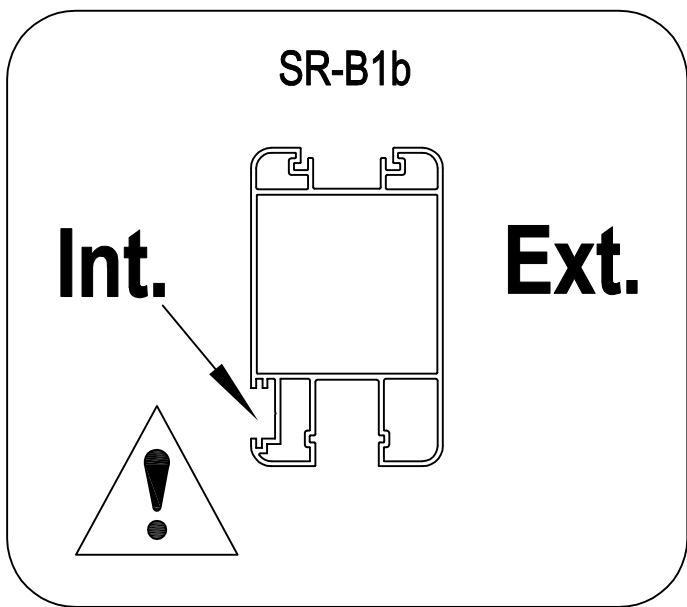
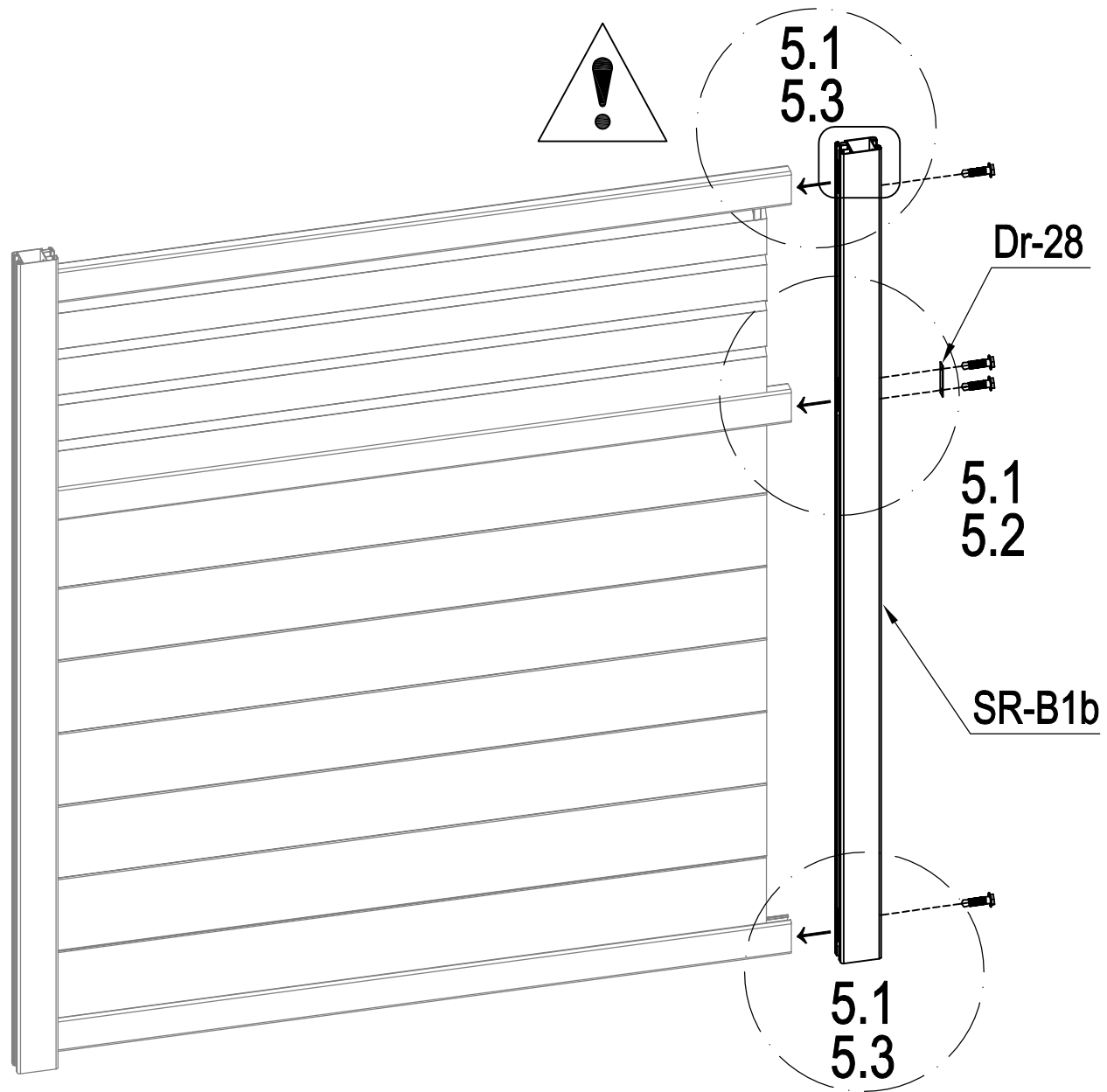
	SR-B4a	1
---	--------	---



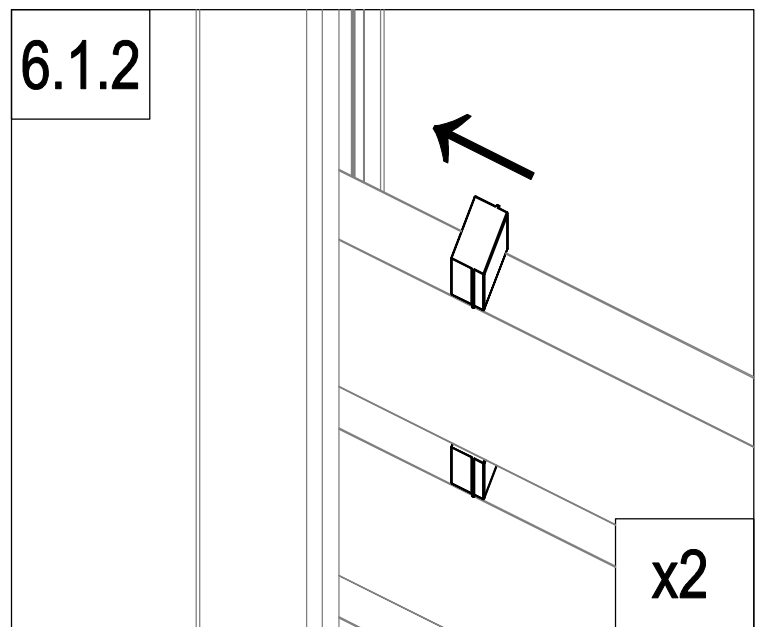
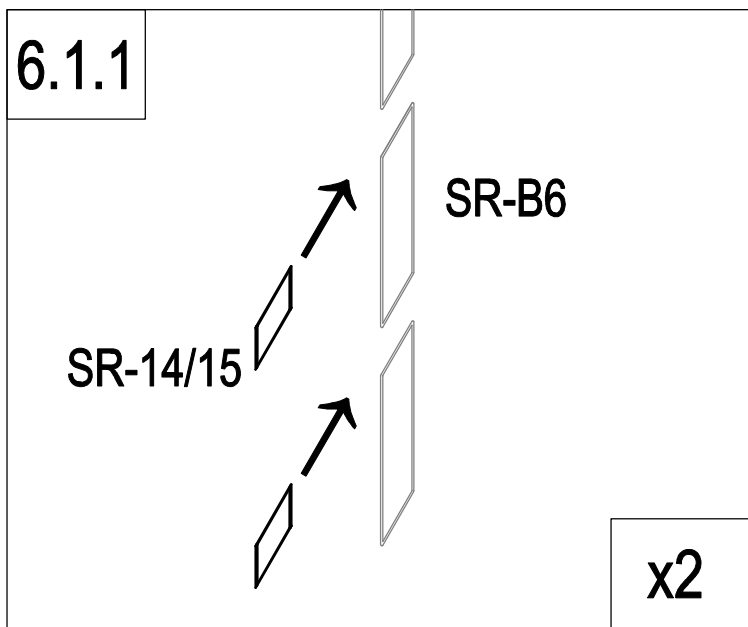
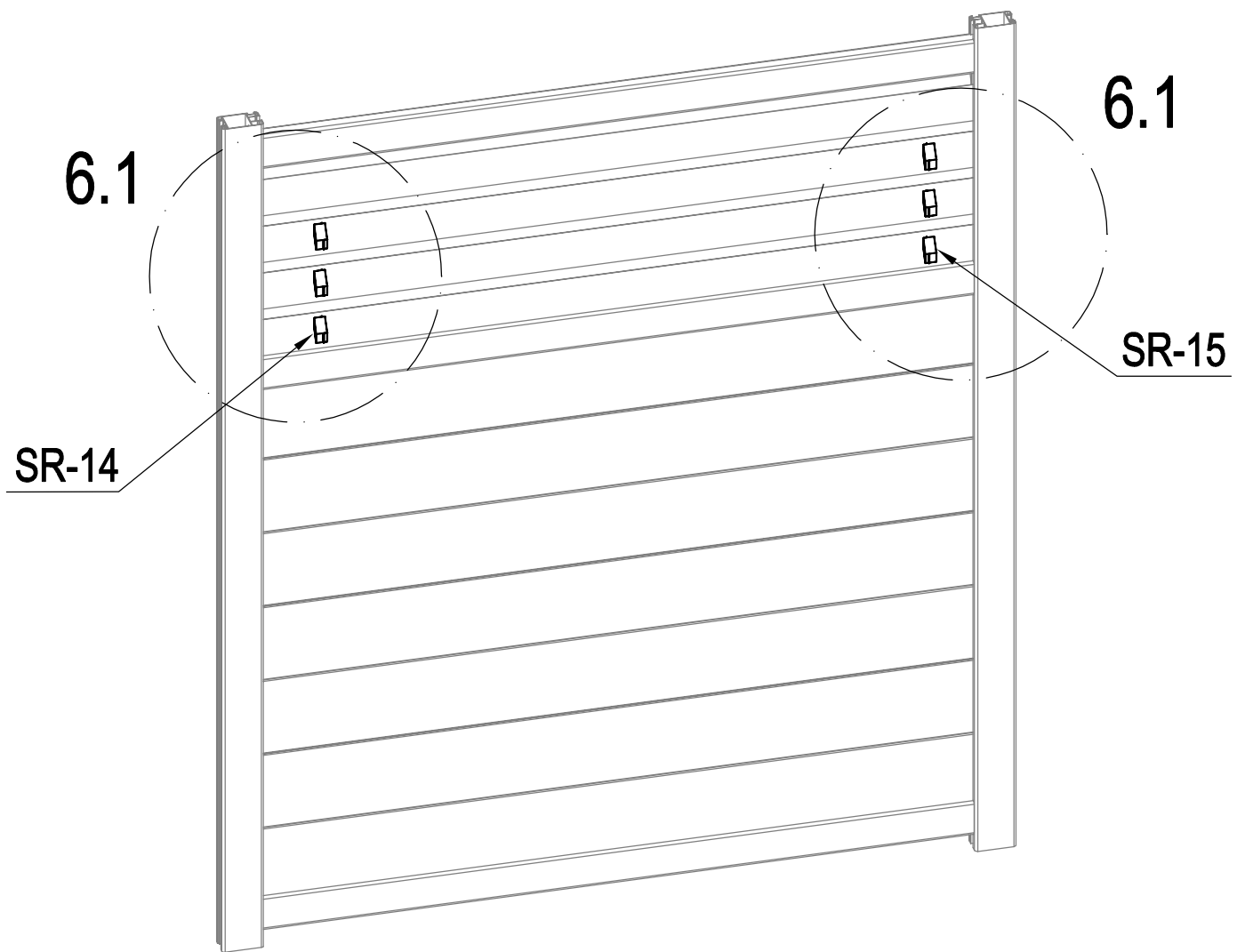
	SR-B4	6
---	-------	---





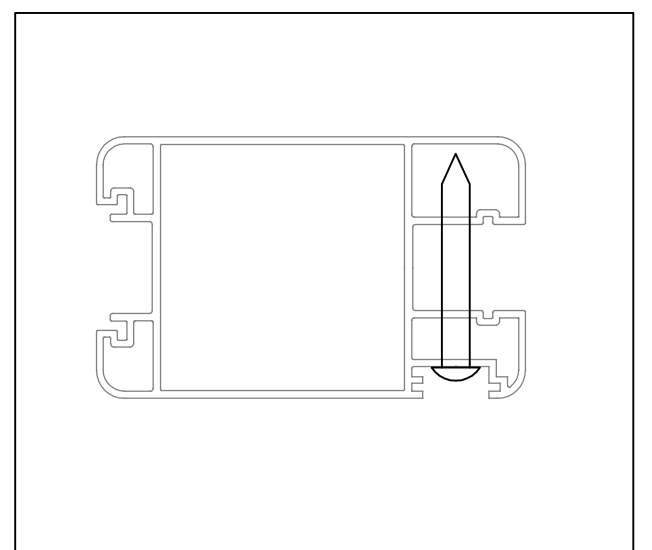
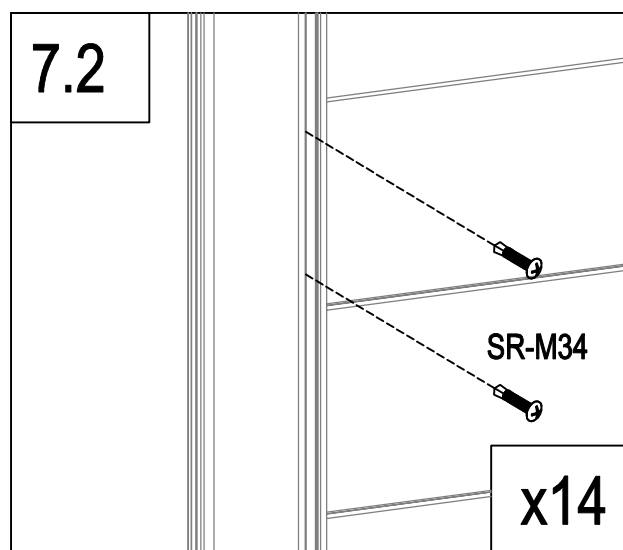
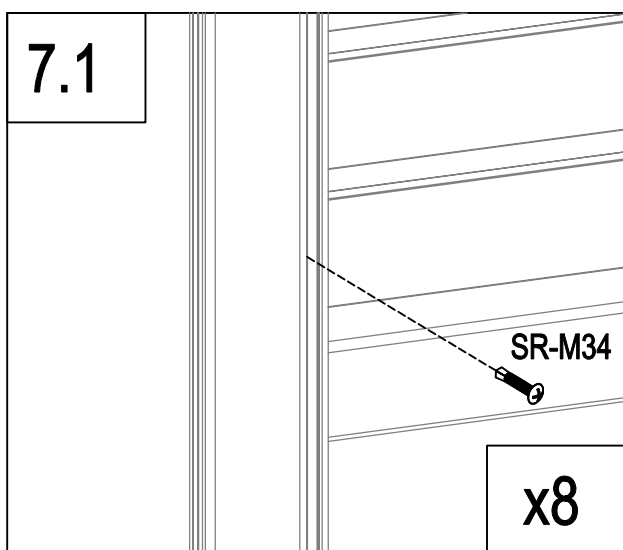
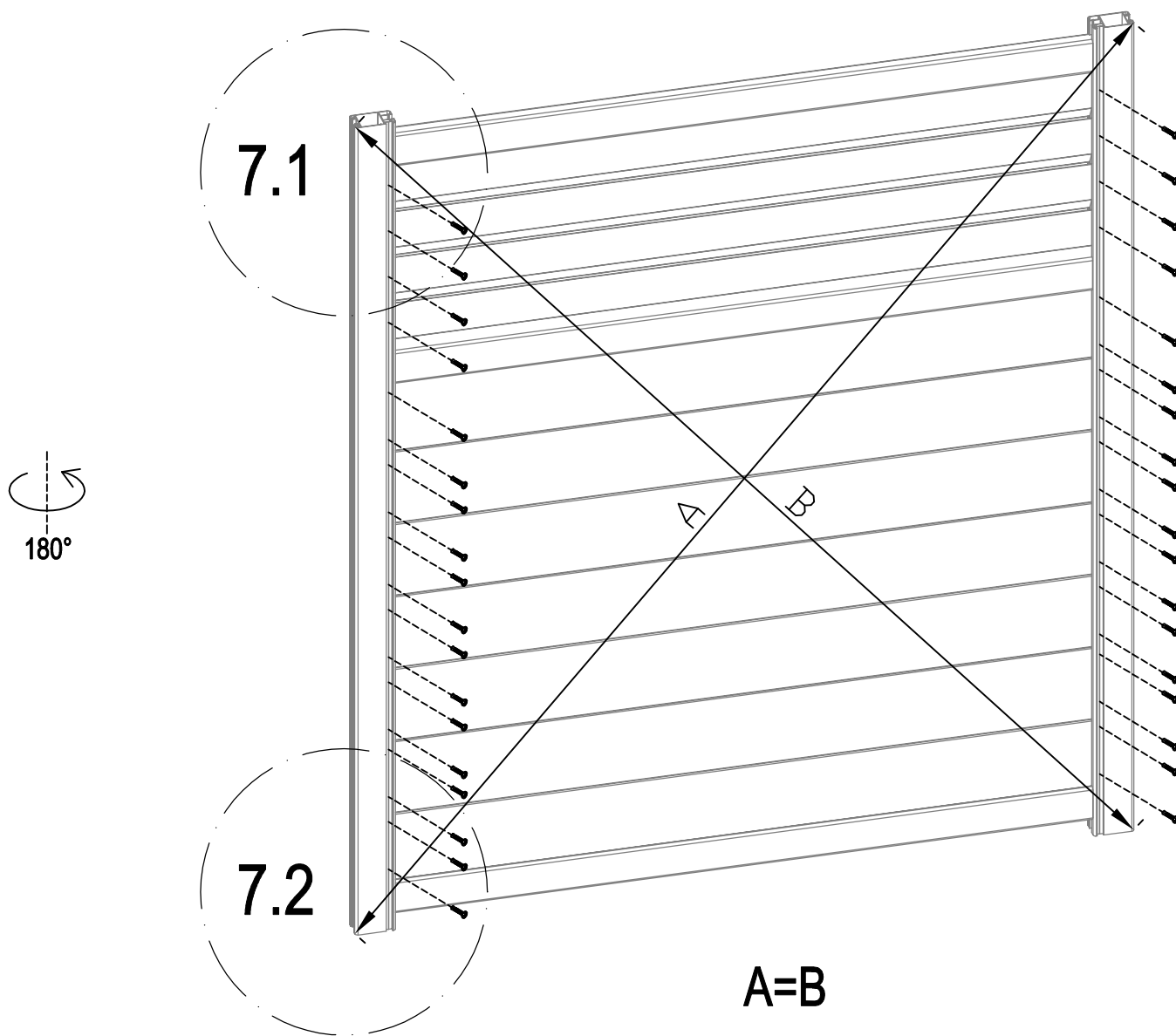
	SR-B6	4
---	-------	---

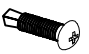


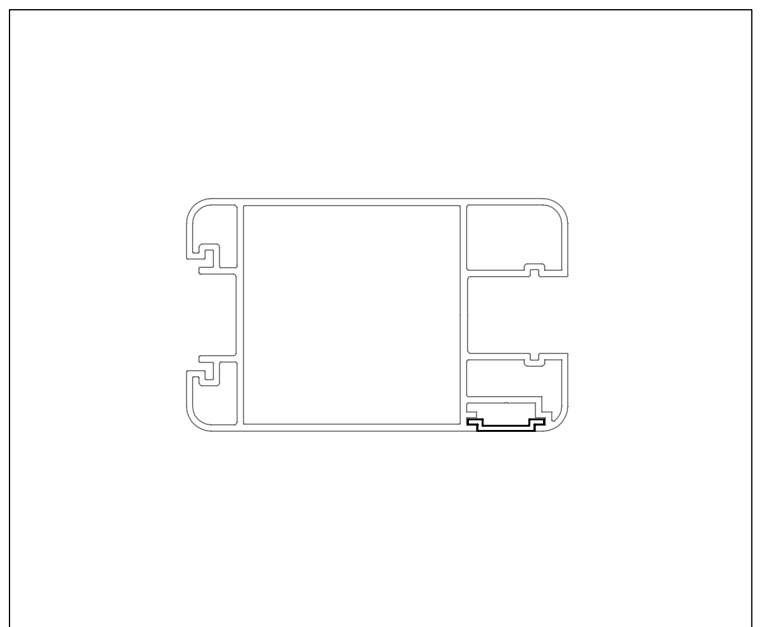
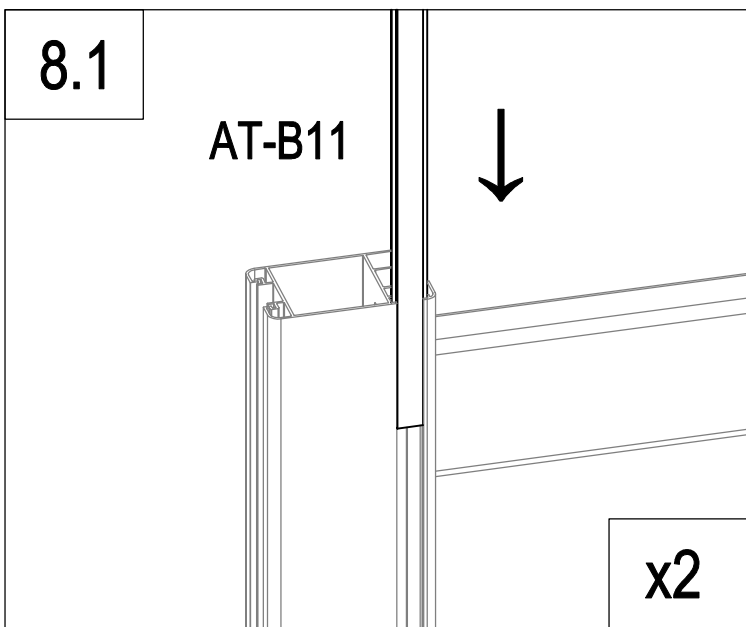
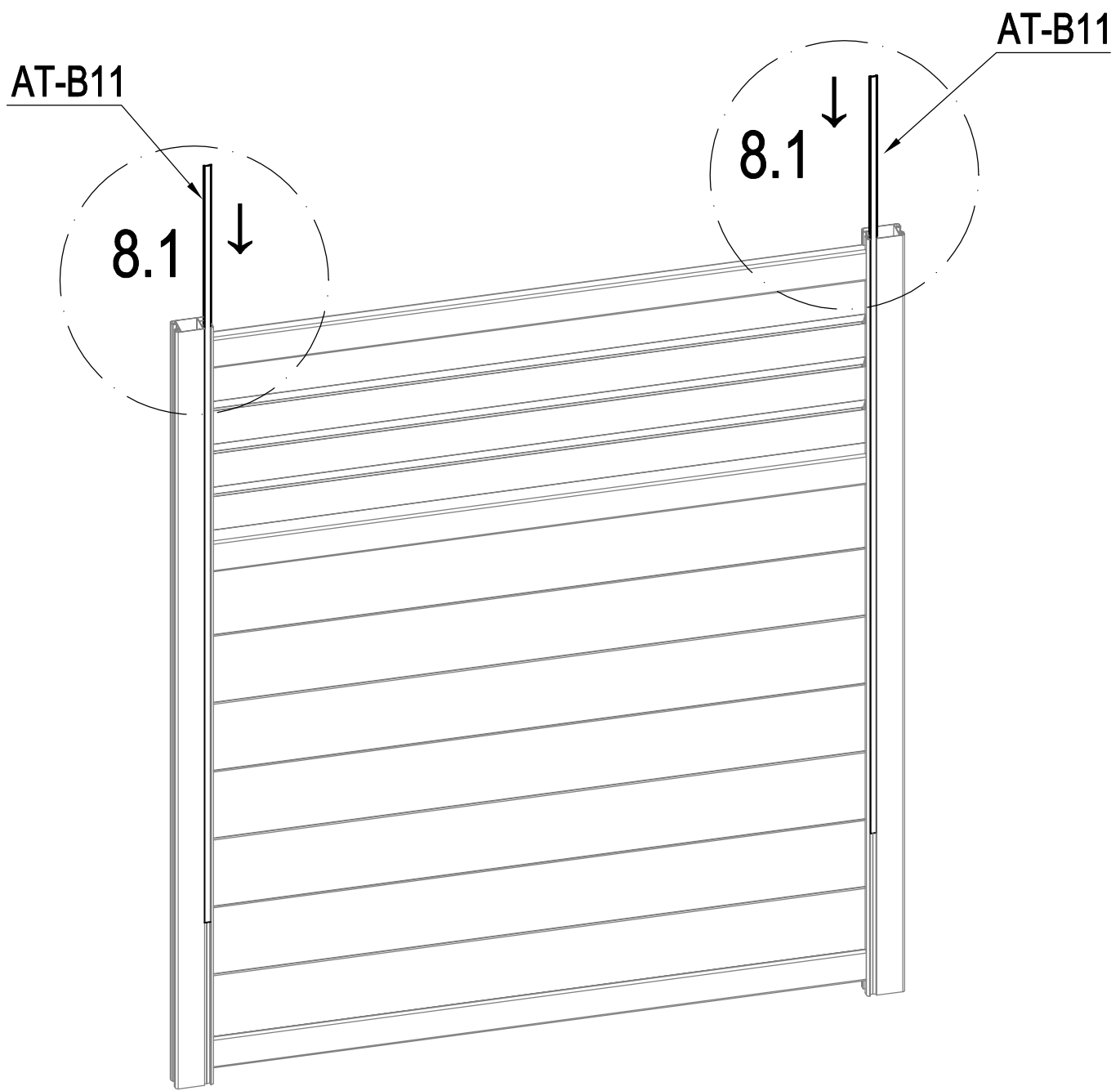
	SR-B1b	1
	Dr-28	1
	SR-M32	4



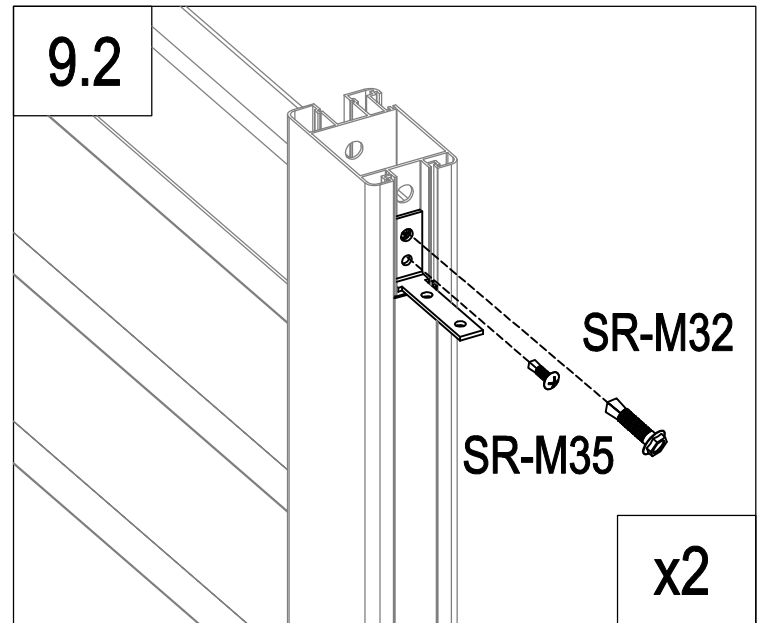
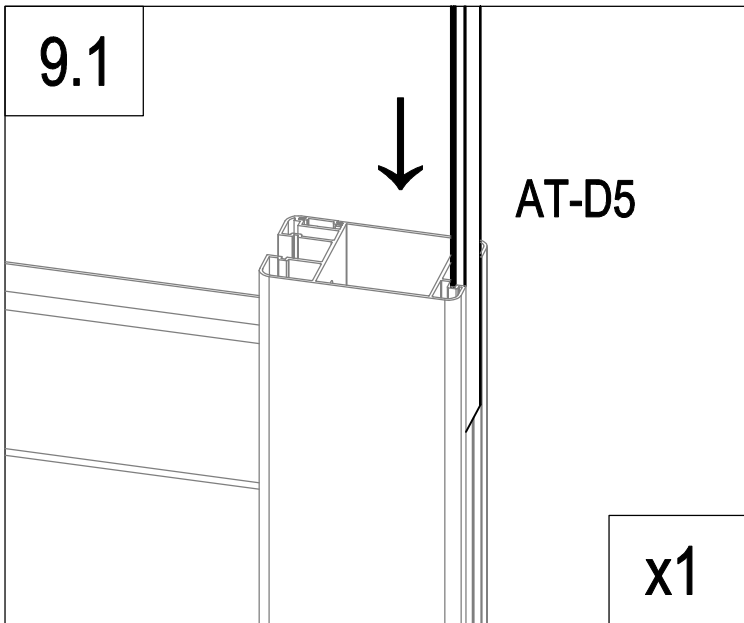
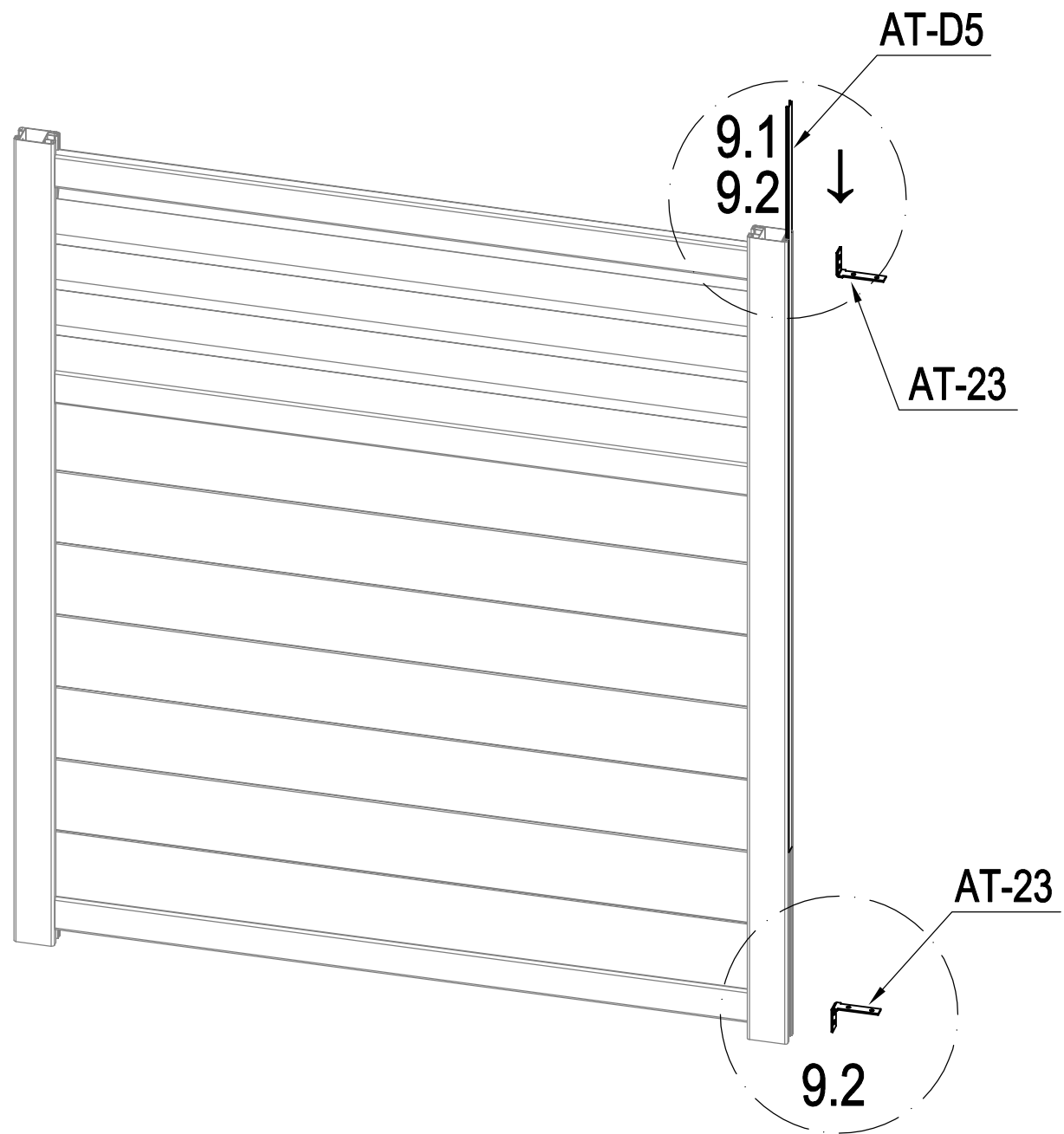
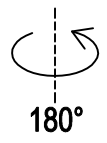
	SR-14	3
	SR-15	3



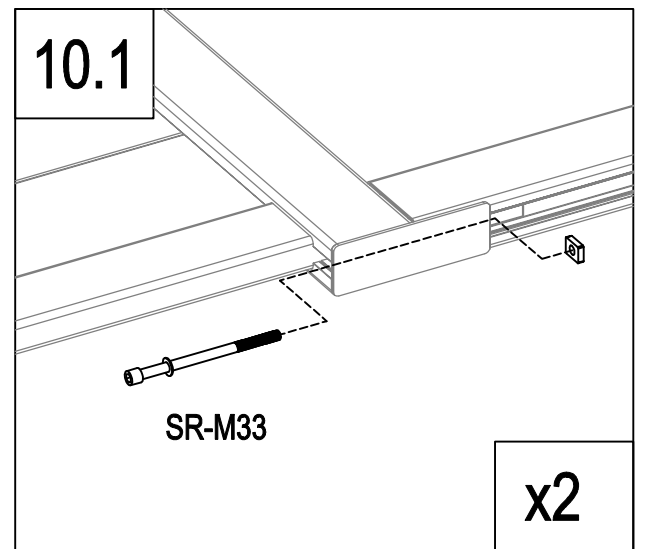
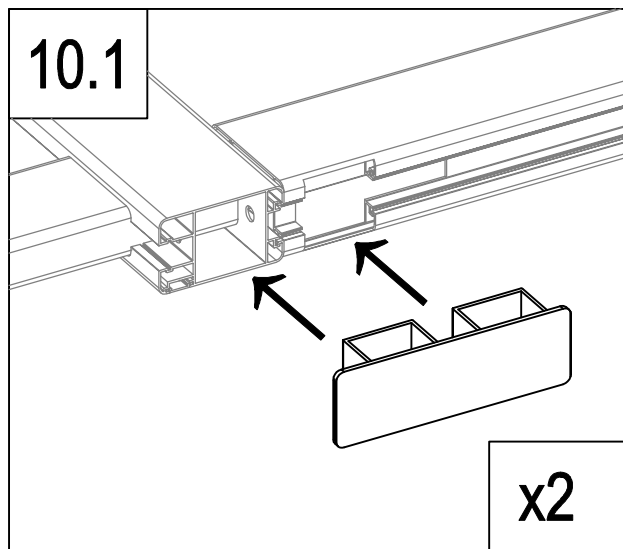
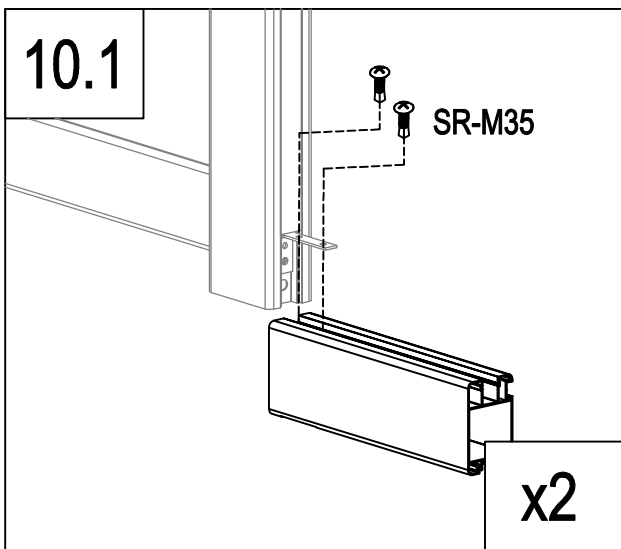
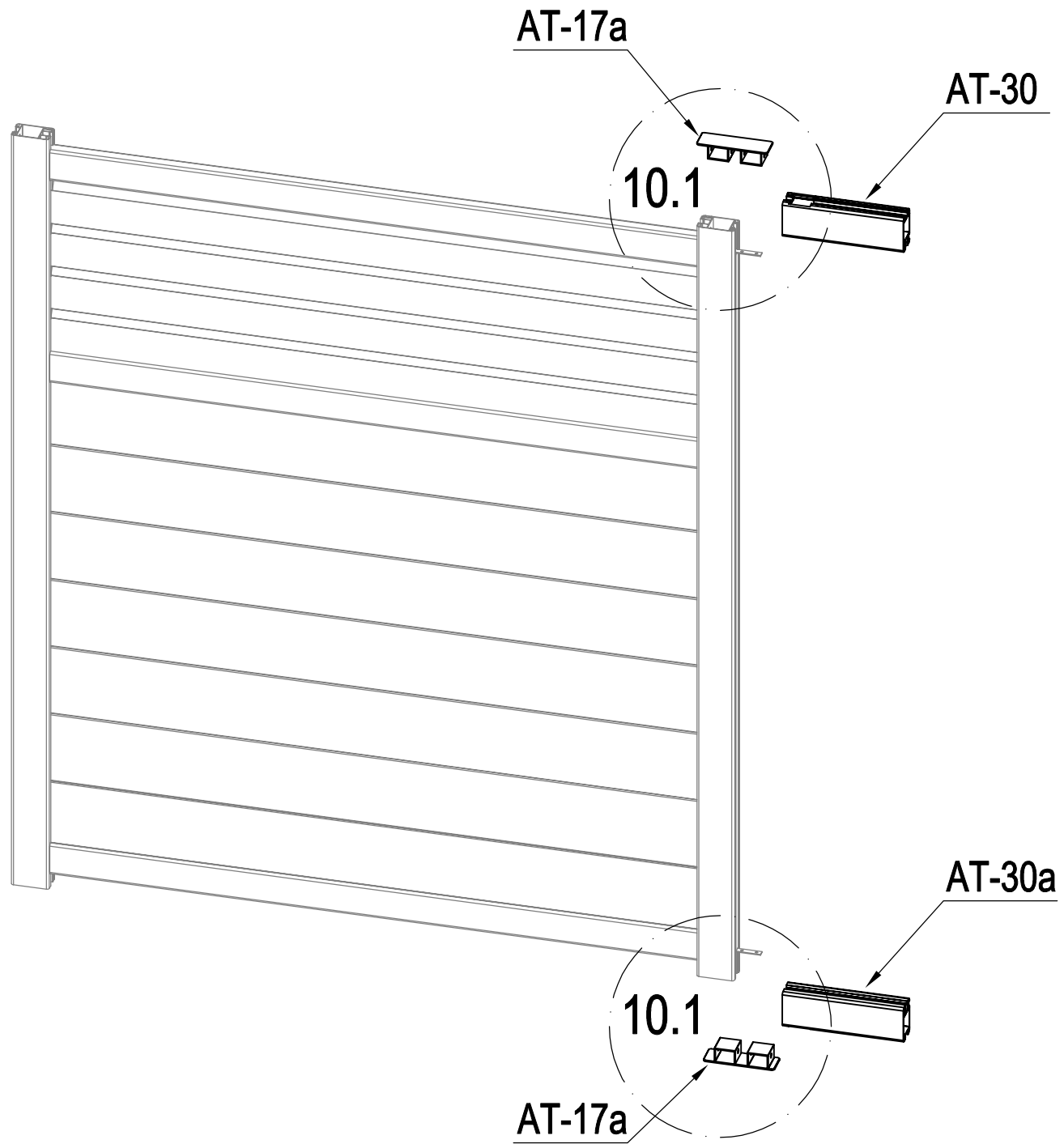
	SR-M34	36
---	--------	----

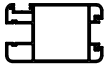
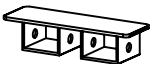




	AT-B11	2
---	---------------	----------

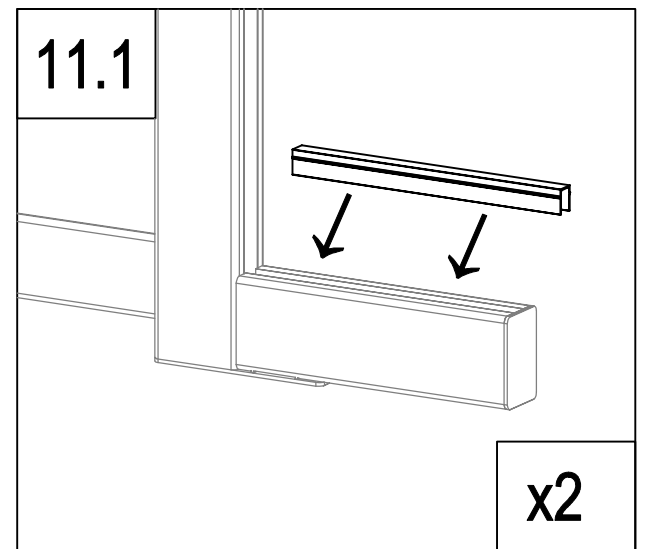
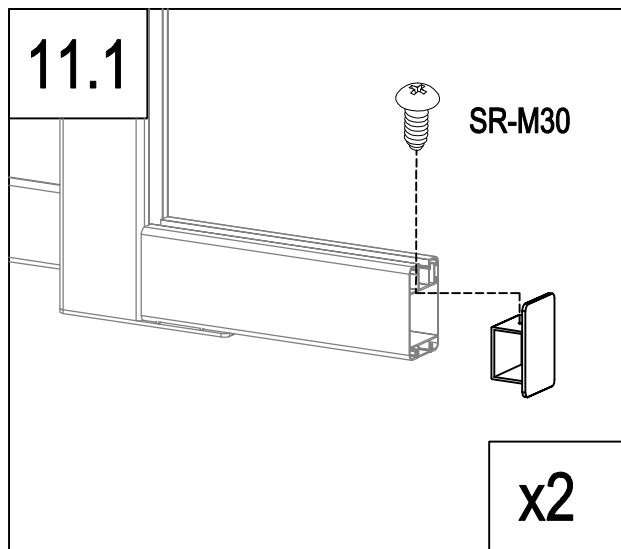
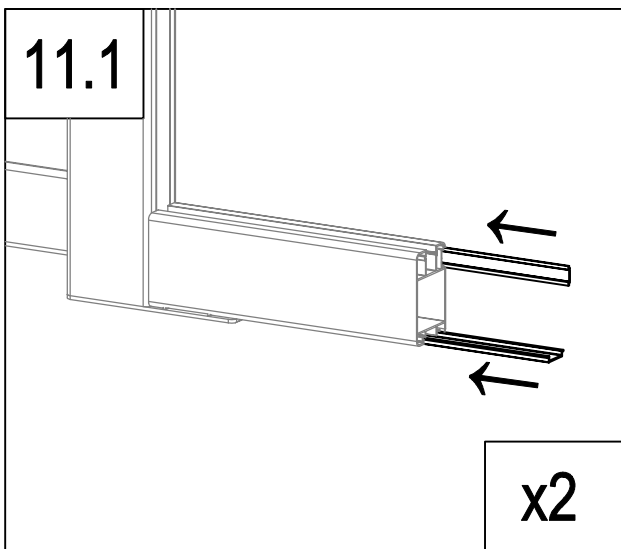
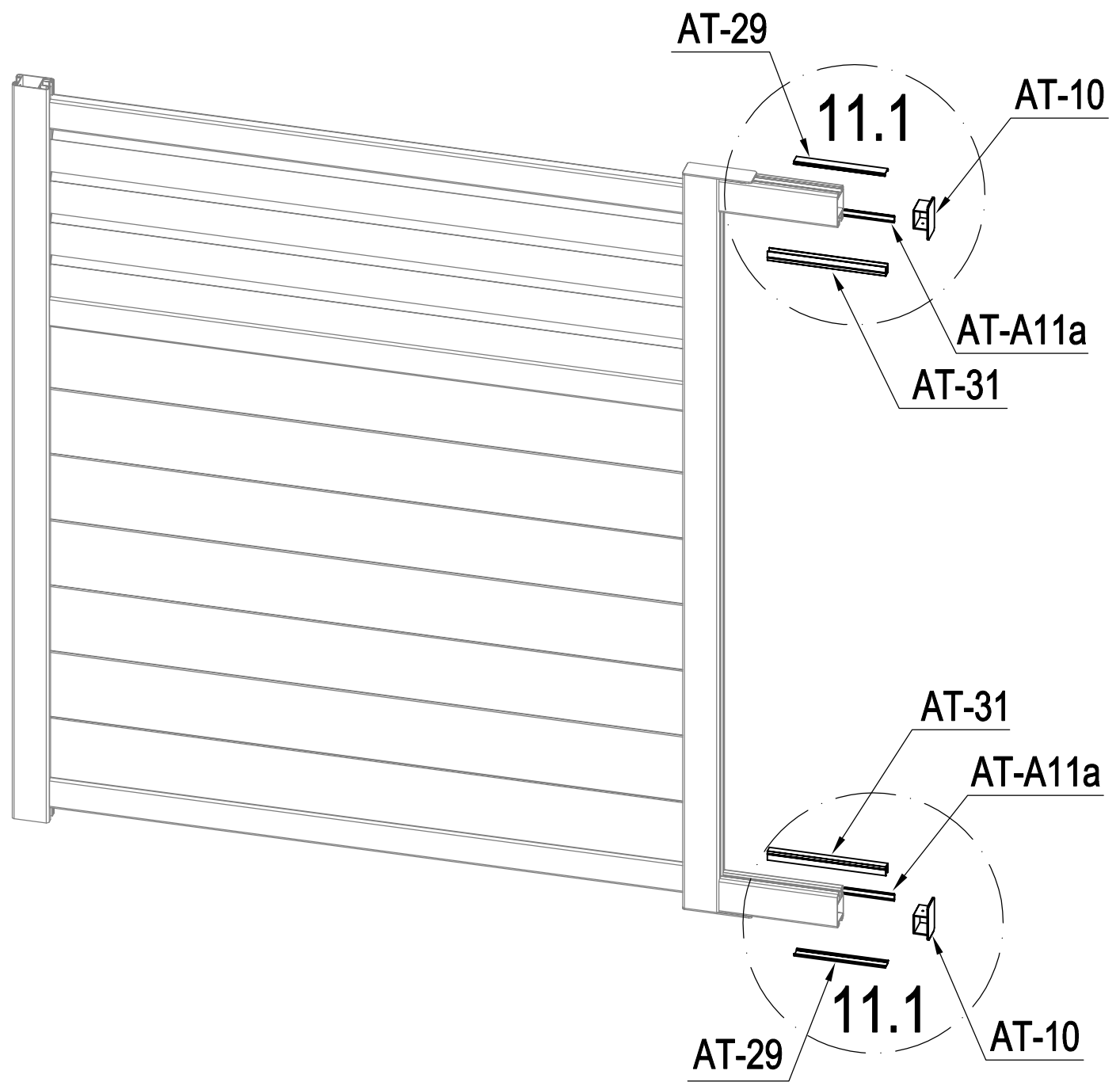


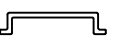
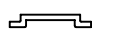
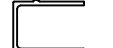
	AT-D5	1
	AT-23	2
	SR-M32	2
	SR-M35	2





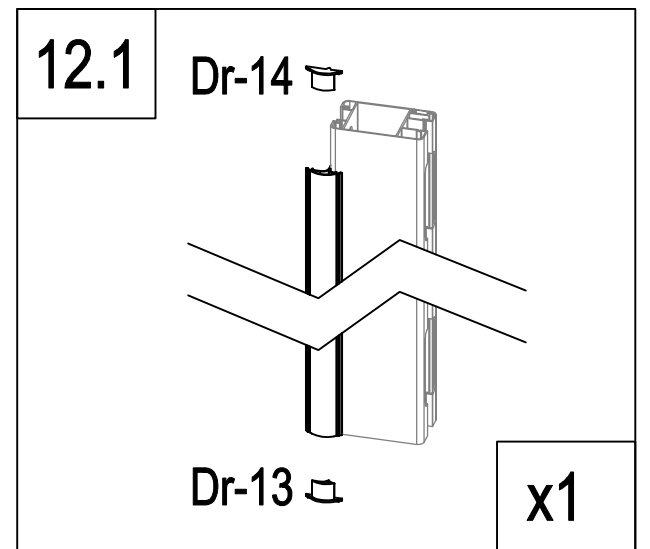
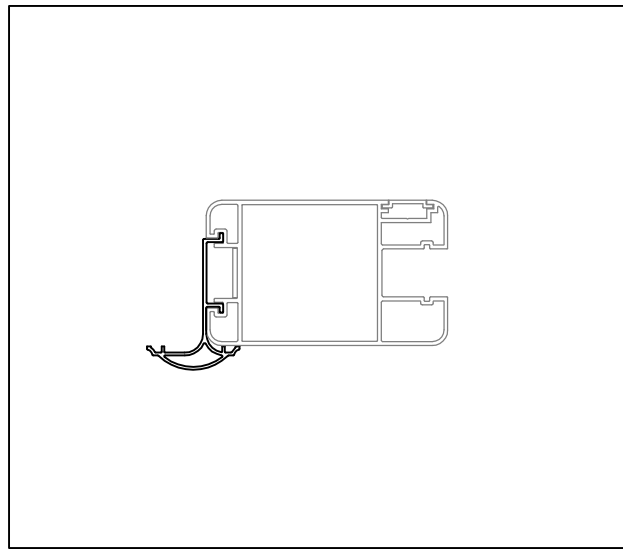
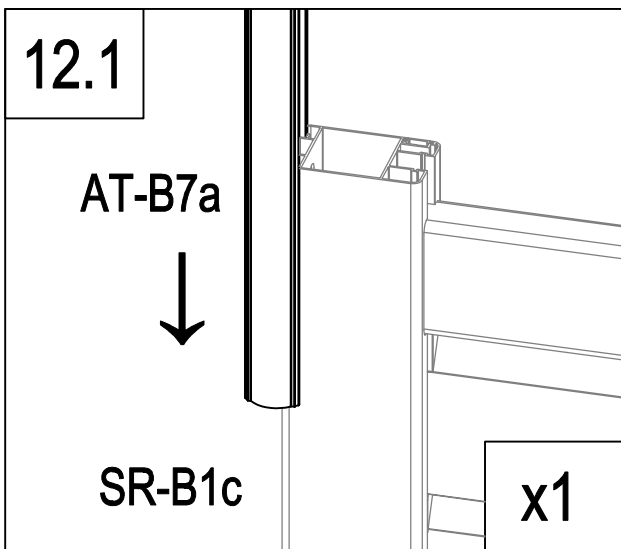
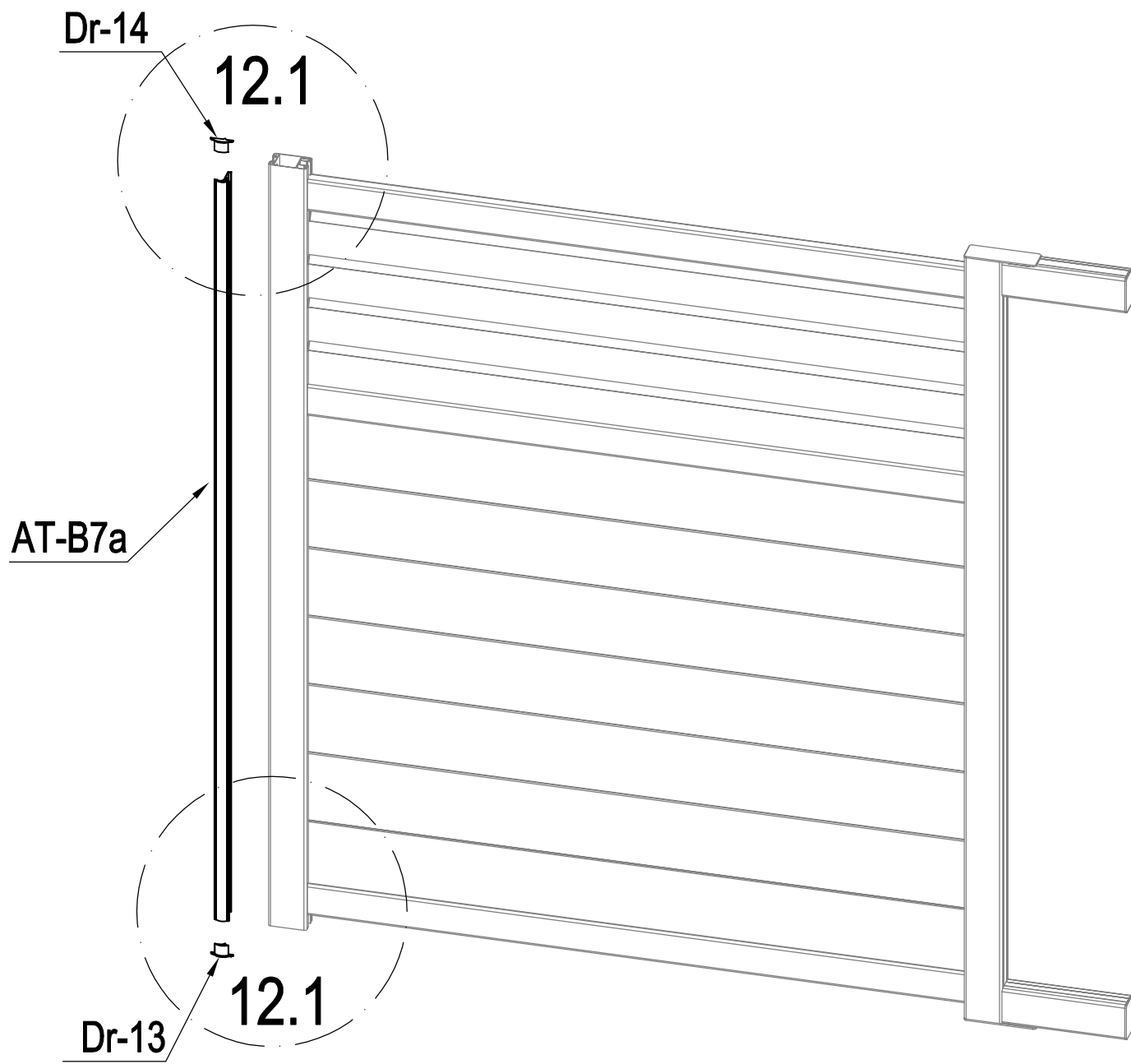
	AT-30	1
	AT-30a	1
	AT-17a	2

	SR-M33	2
	SR-M35	4

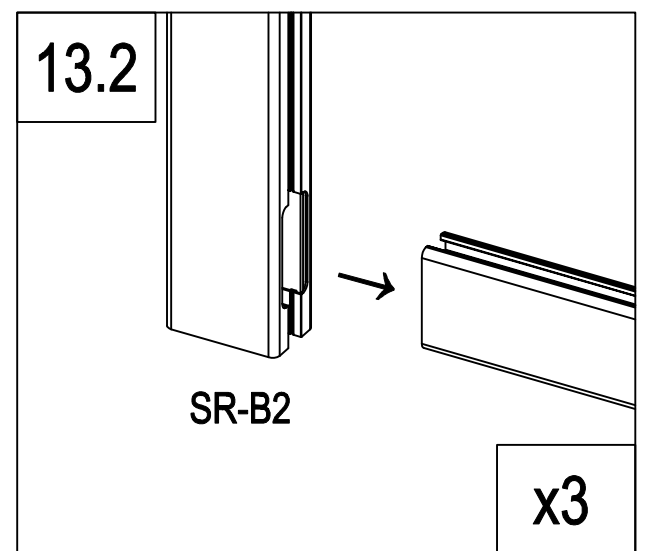
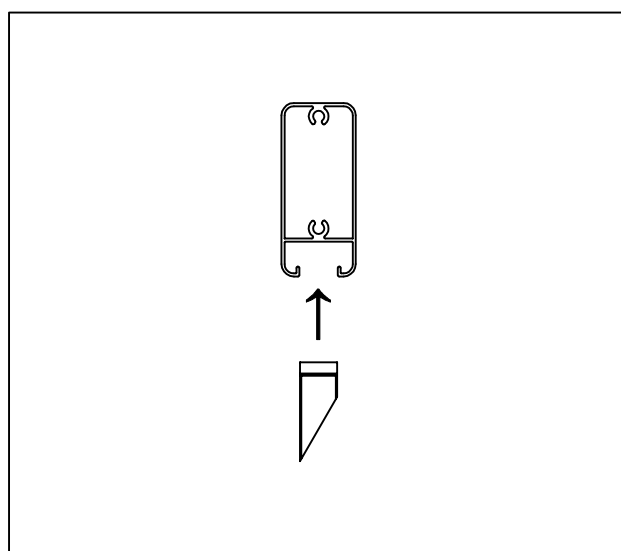
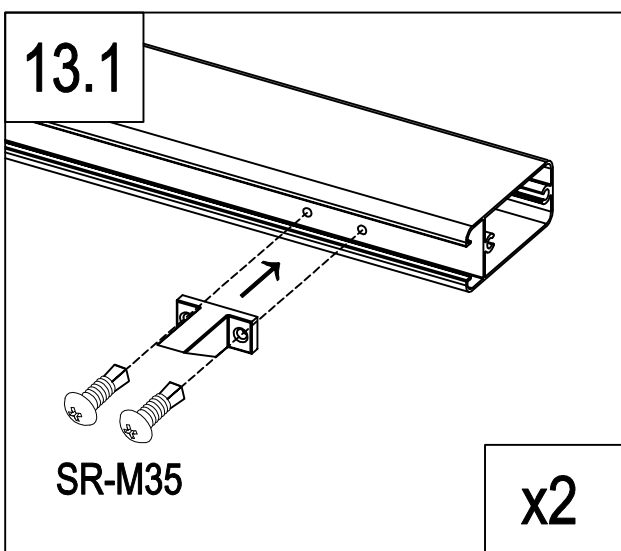
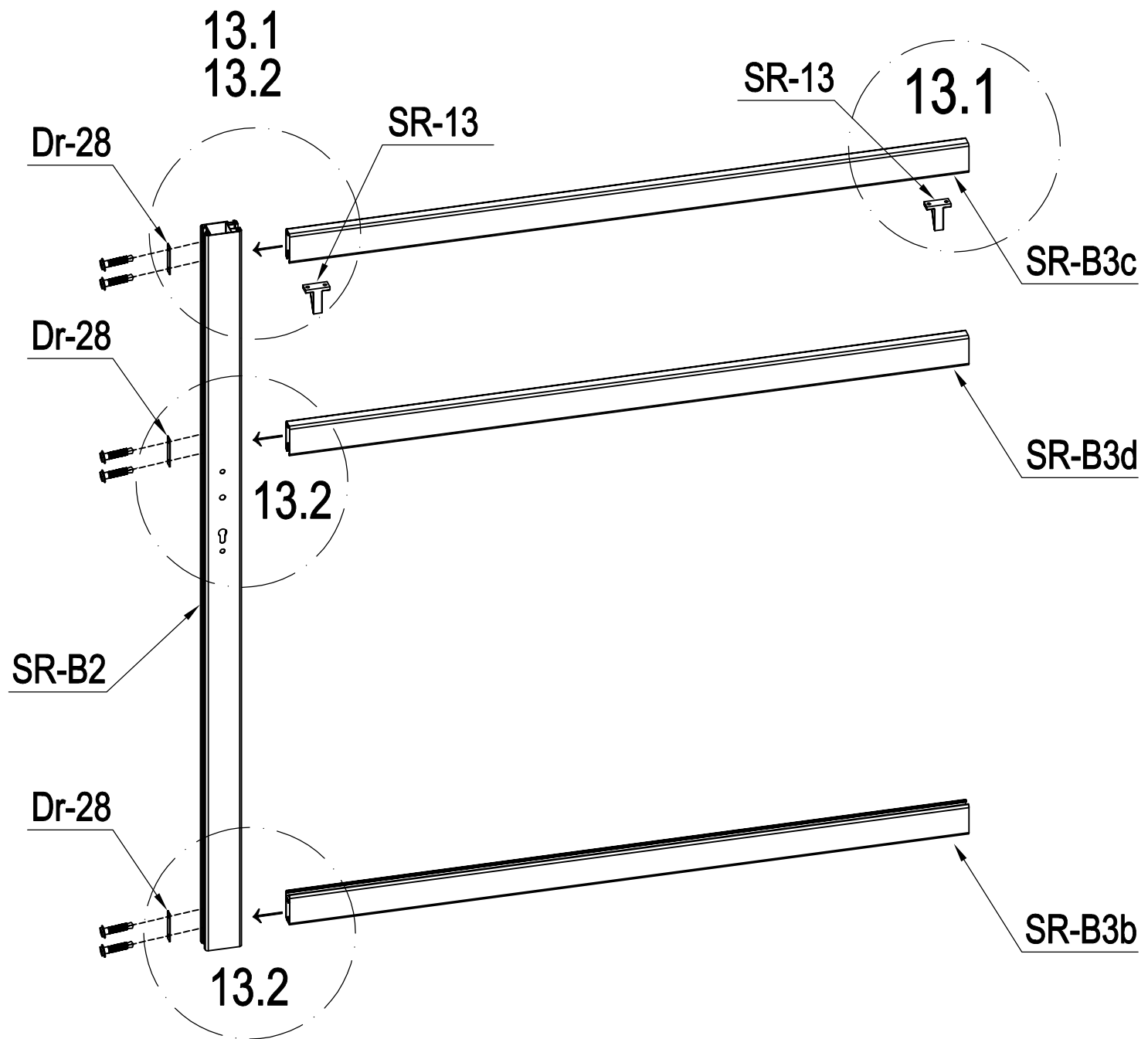


	AT-29	2
	AT-A11a	2
	AT-31	2

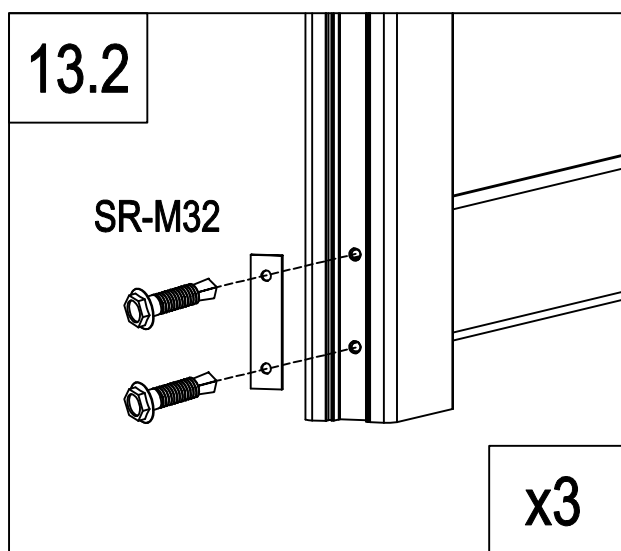
	AT-10	2
	SR-M30	2



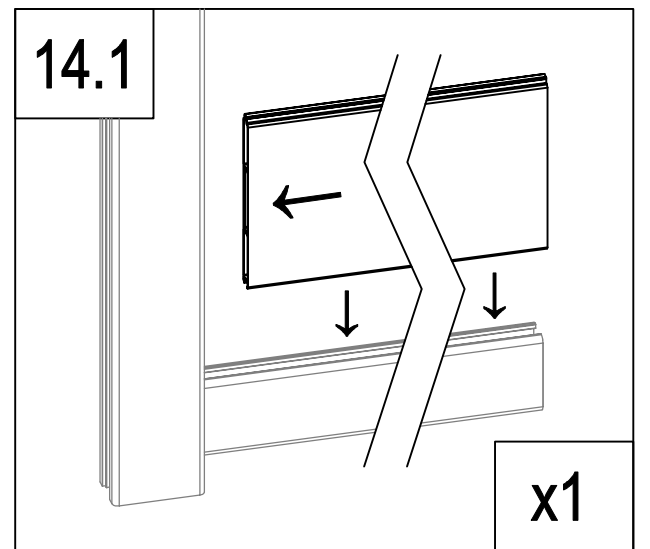
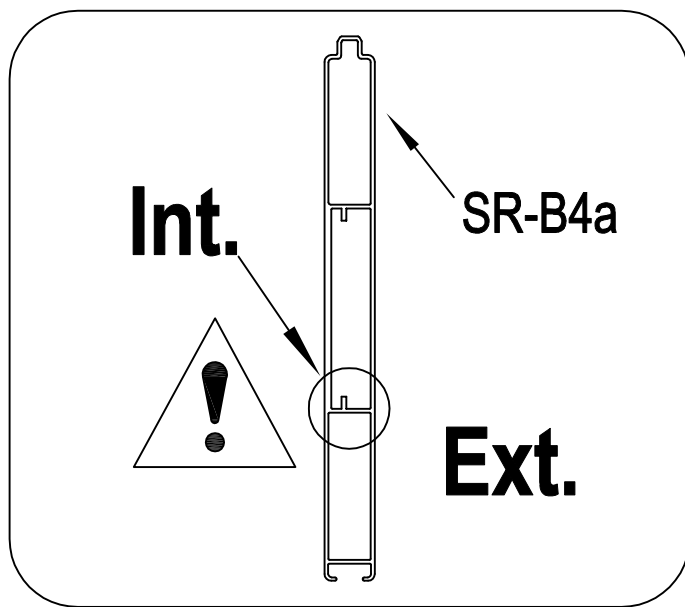
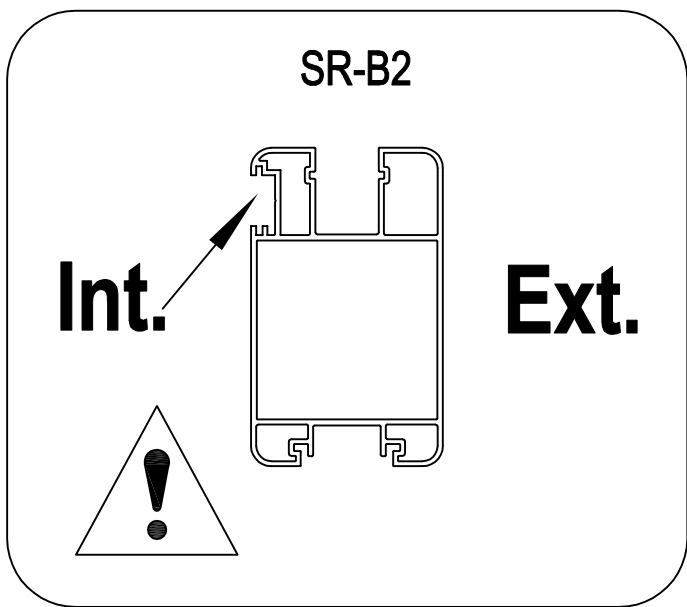
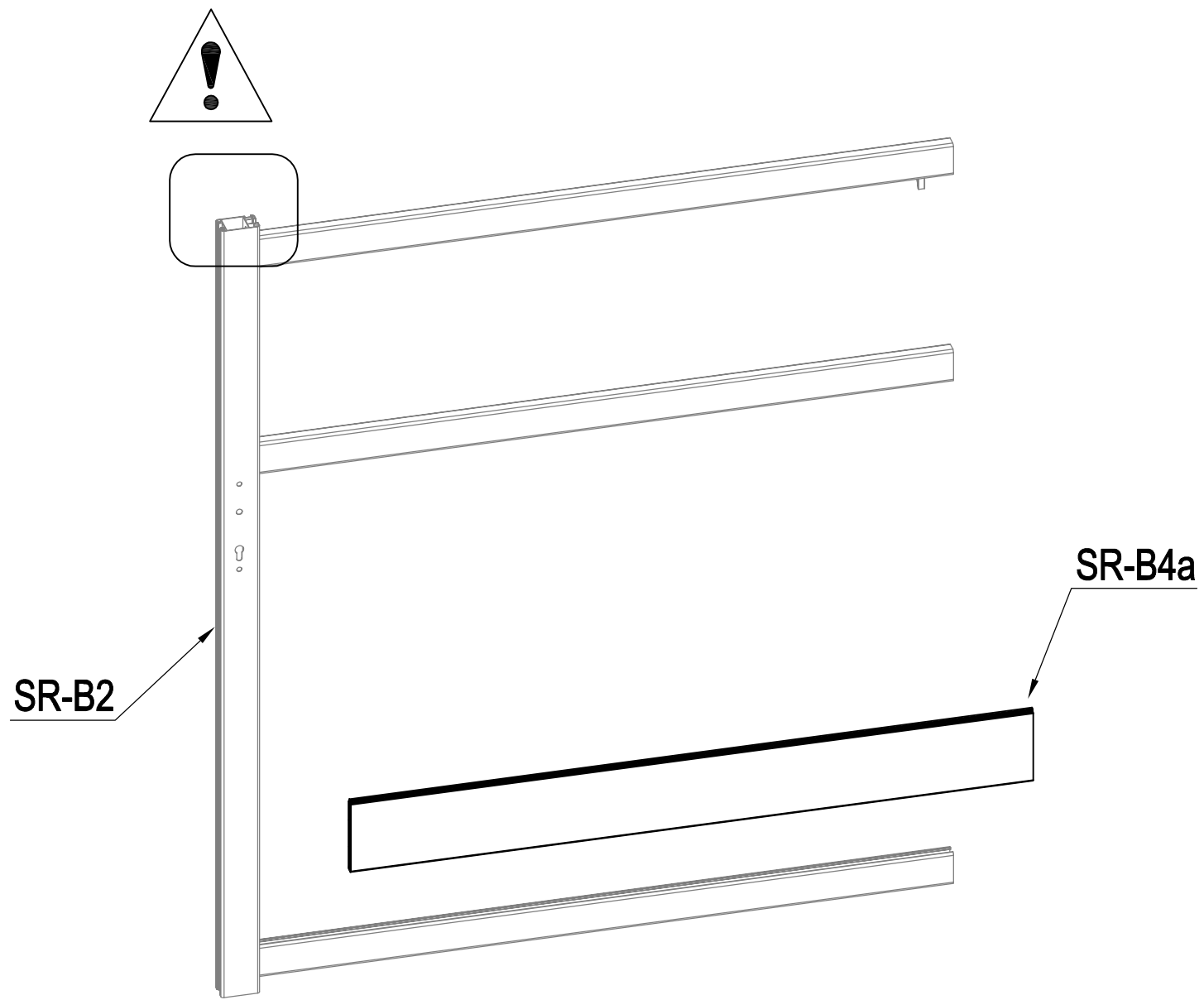
	AT-B7a	1
	Dr-13	1
	Dr-14	1



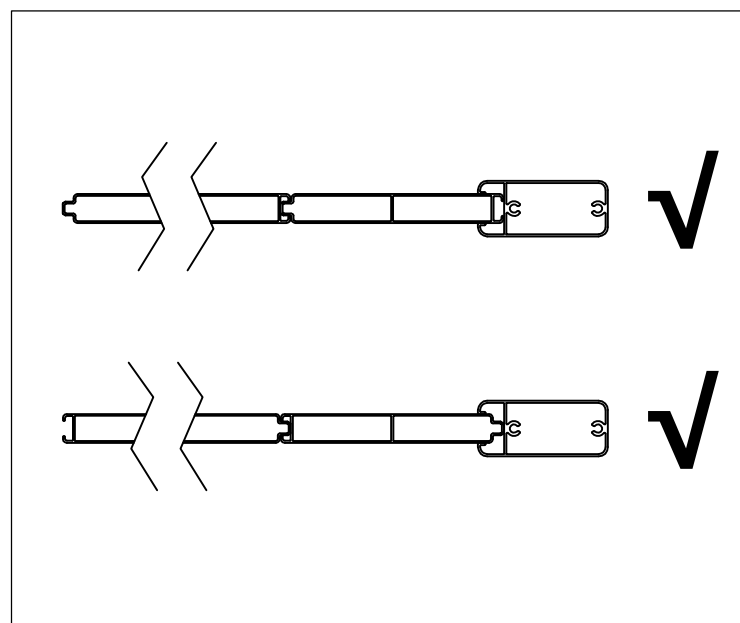
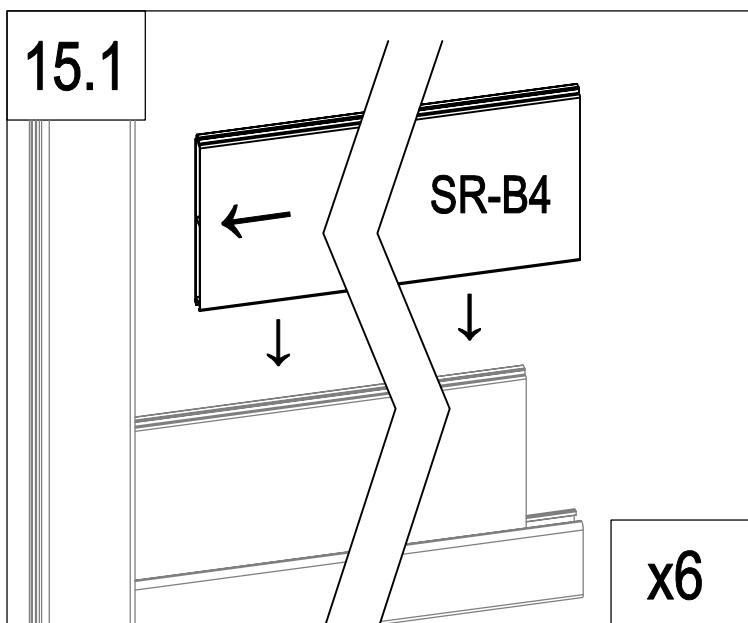
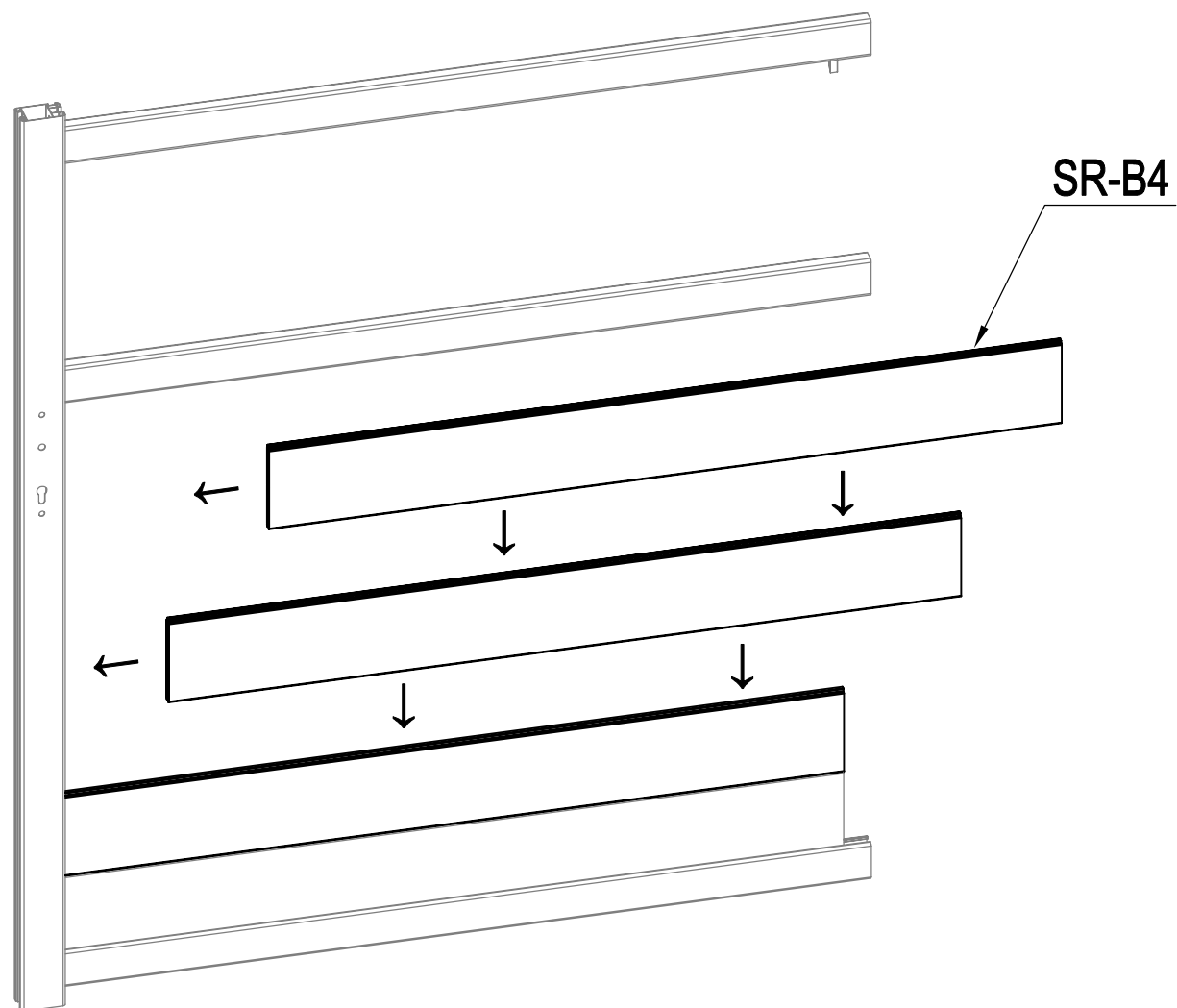
	SR-B2	1
	SR-B3b	1
	SR-B3c	1
	SR-B3d	1

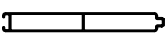


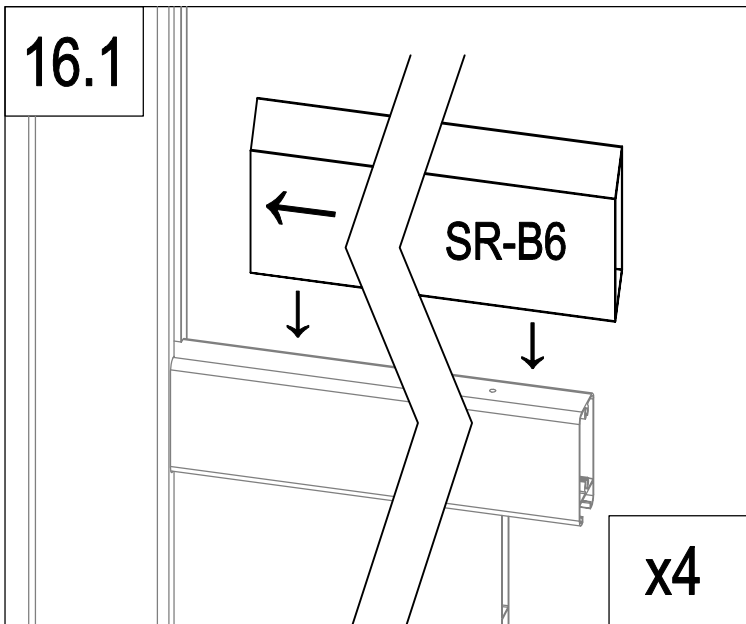
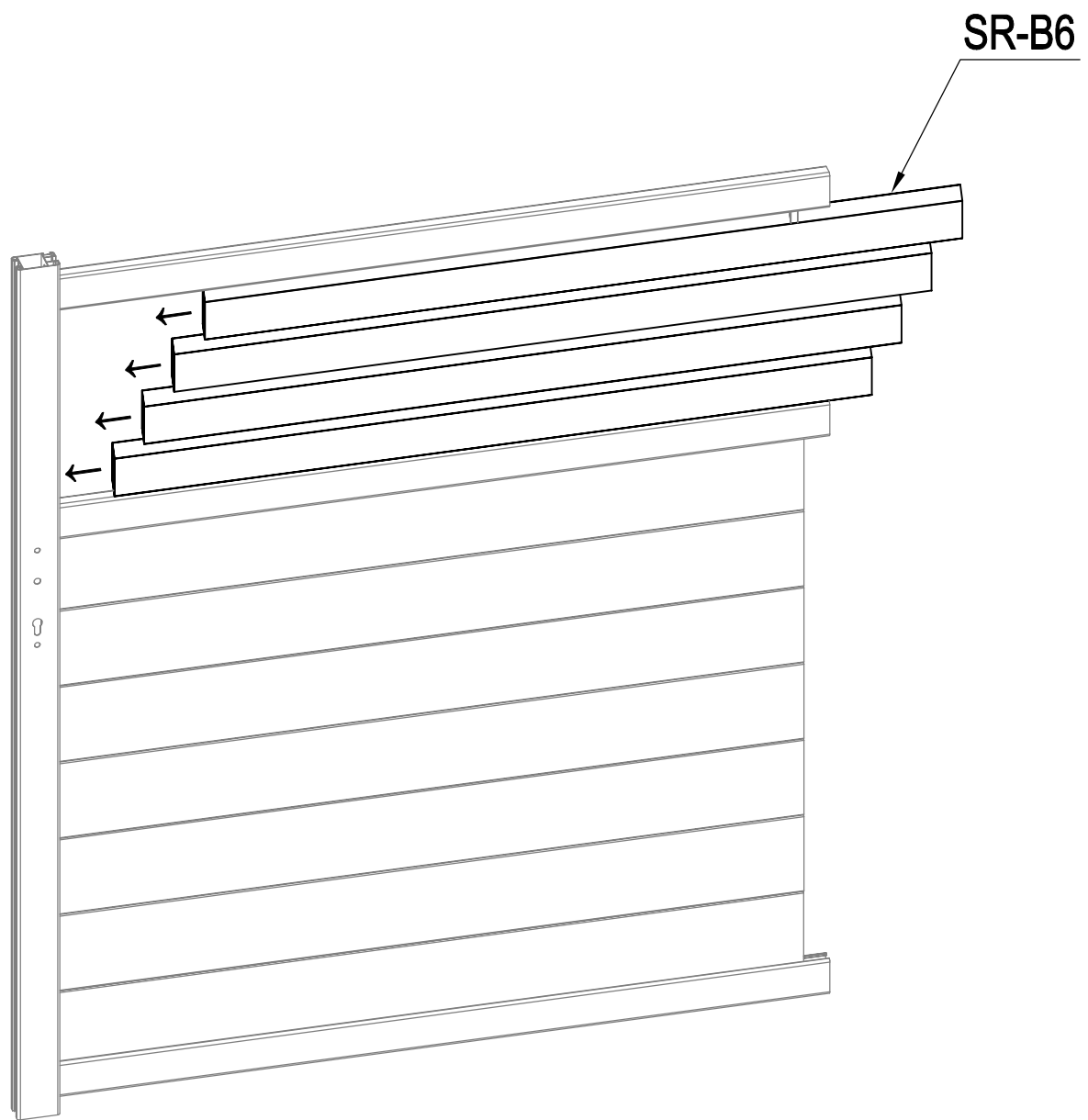
	SR-13	2
	SR-28	3
	SR-M35	4
	SR-M32	6

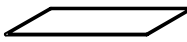


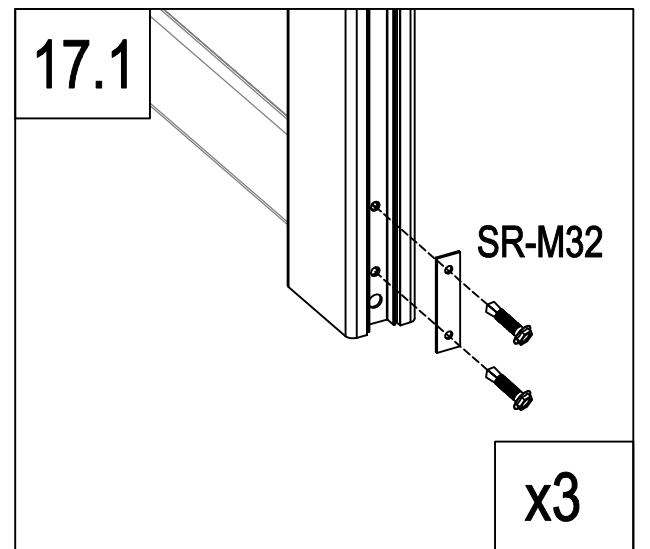
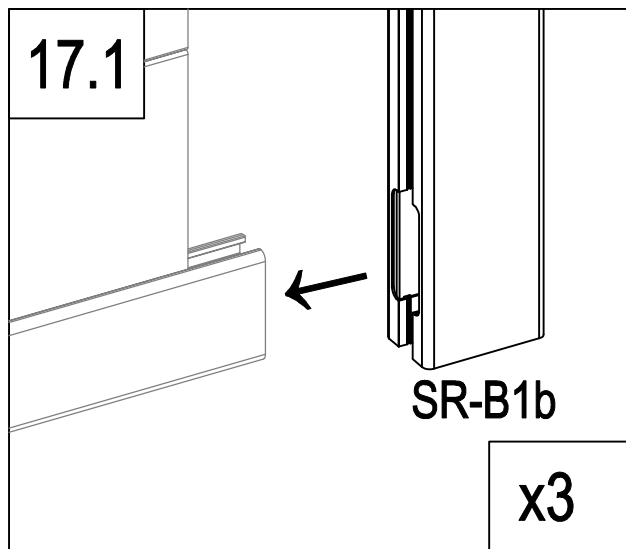
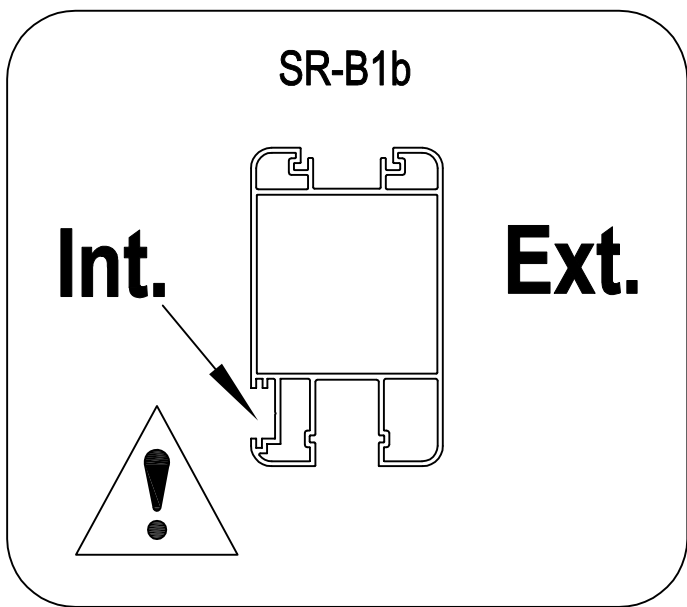
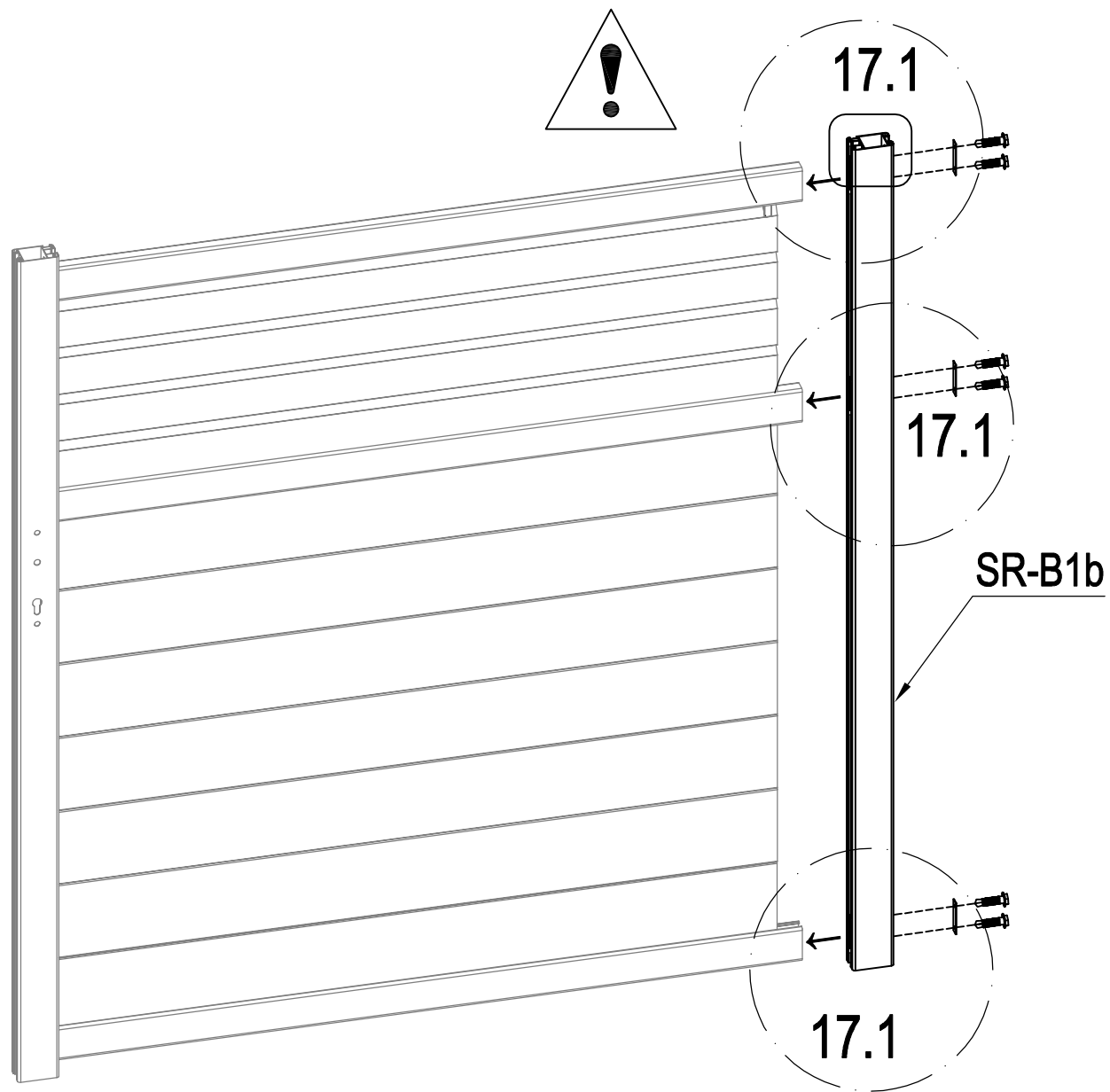
	SR-B4a	1
---	--------	---

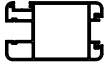




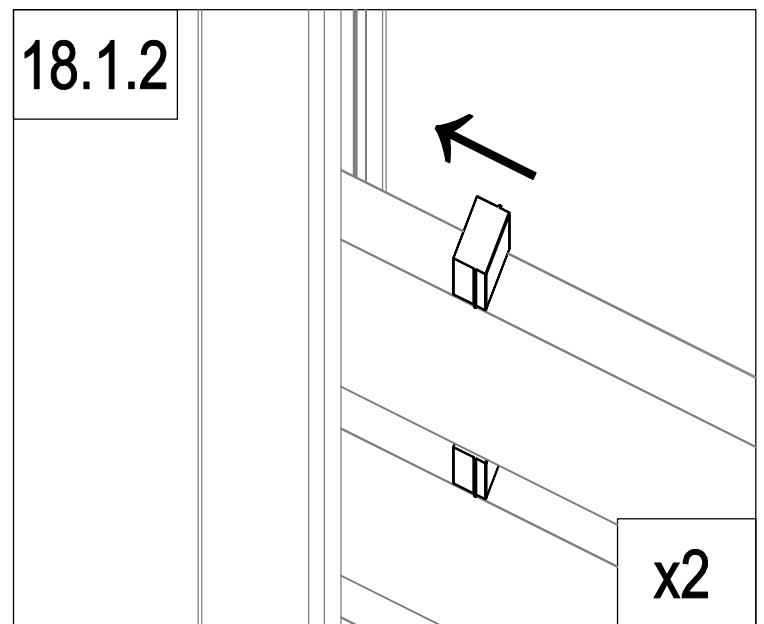
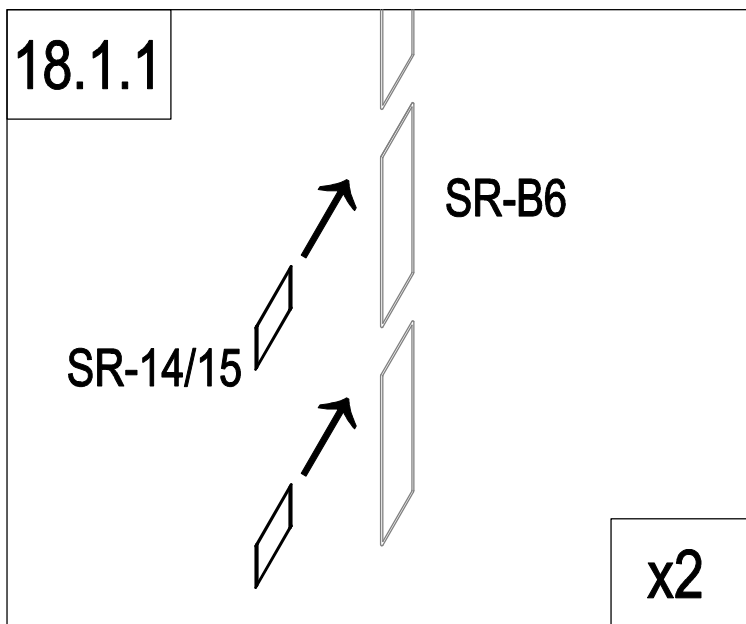
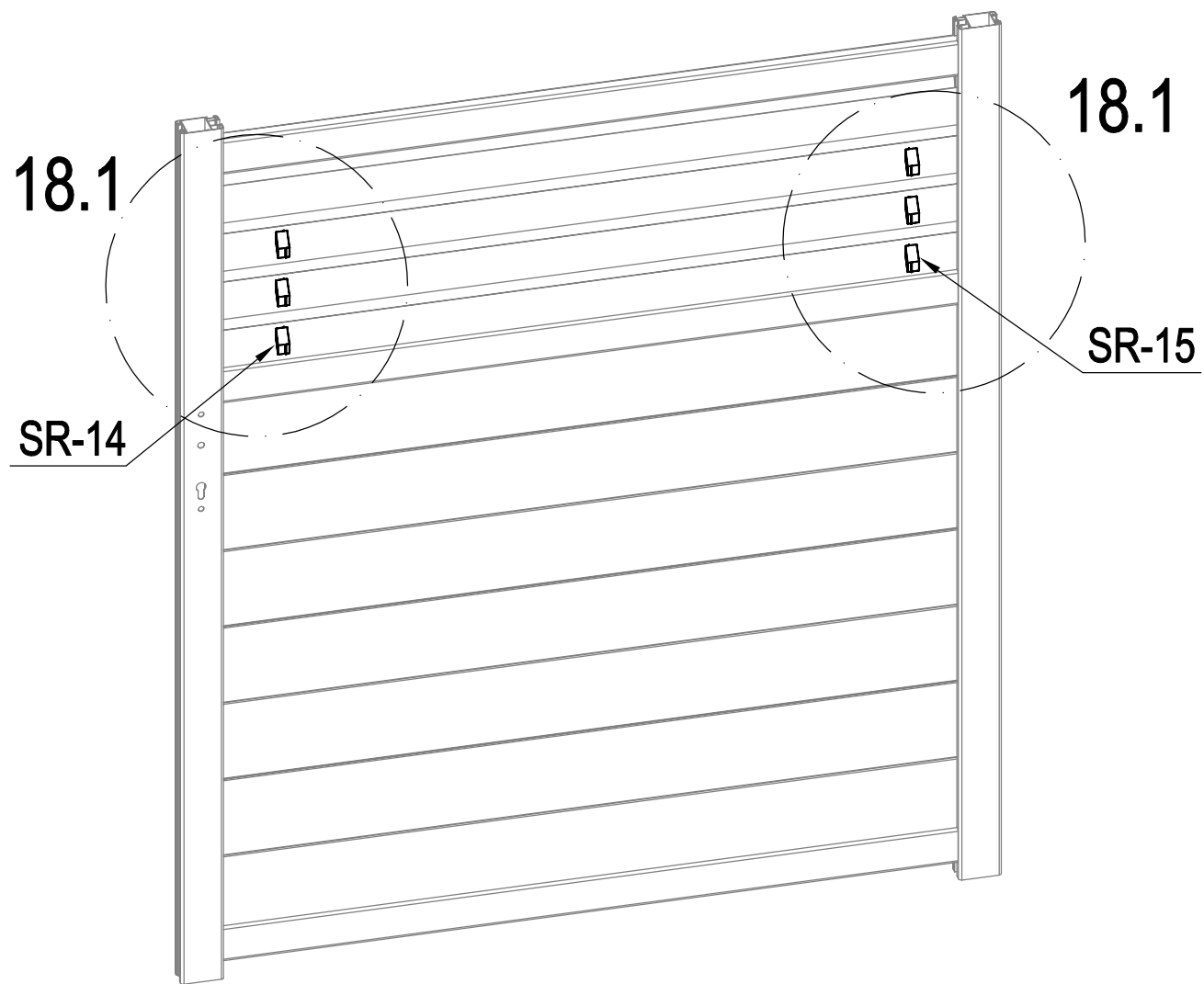
	SR-B4	6
---	-------	---





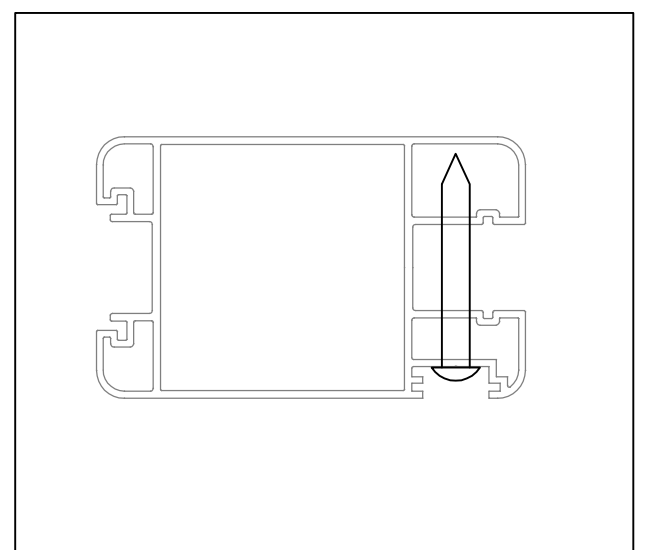
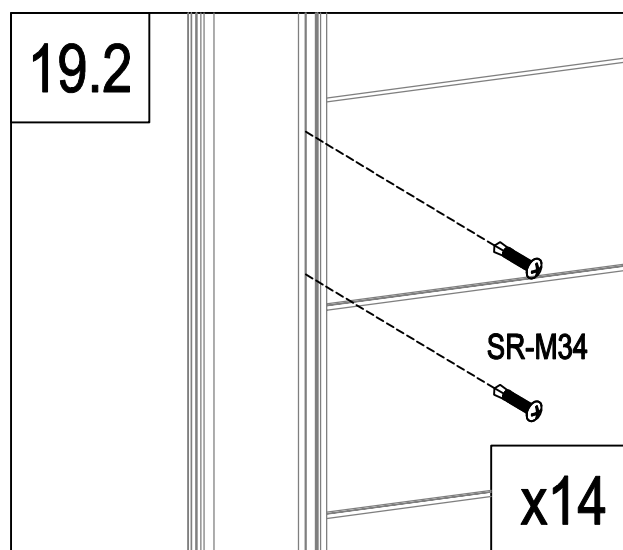
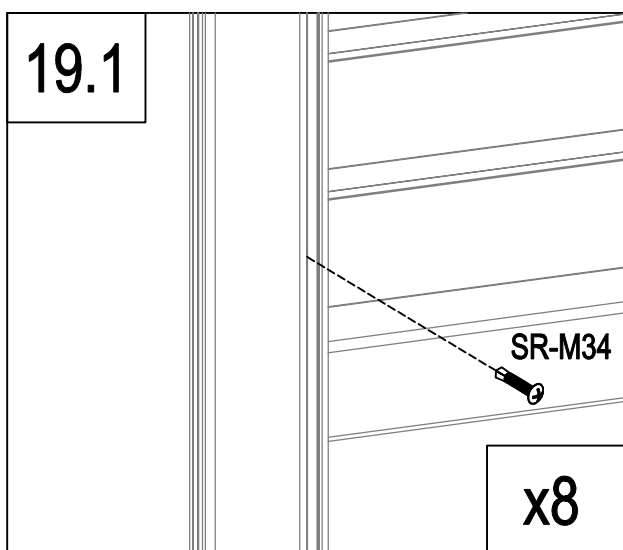
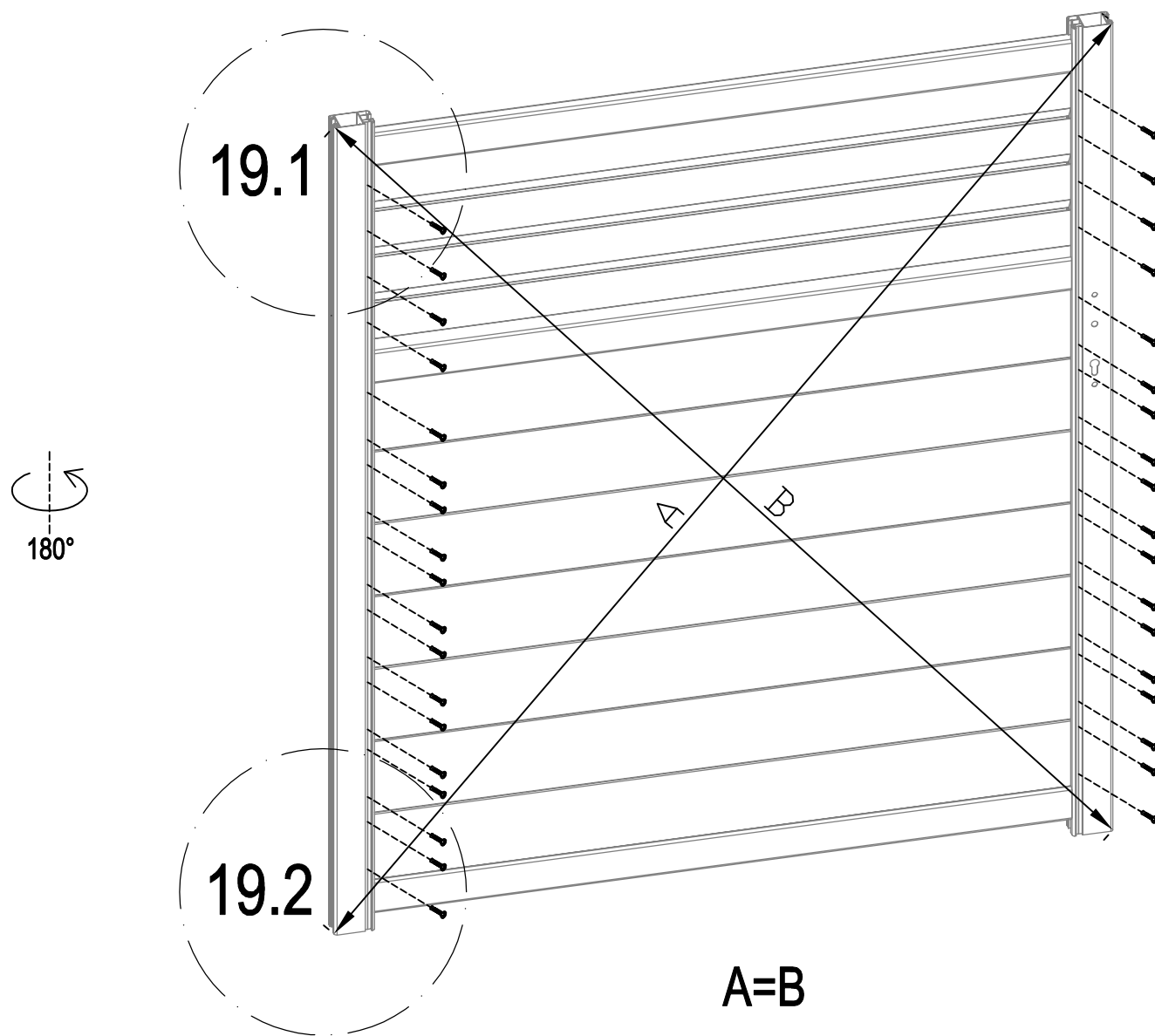
	SR-B6	4
---	-------	---




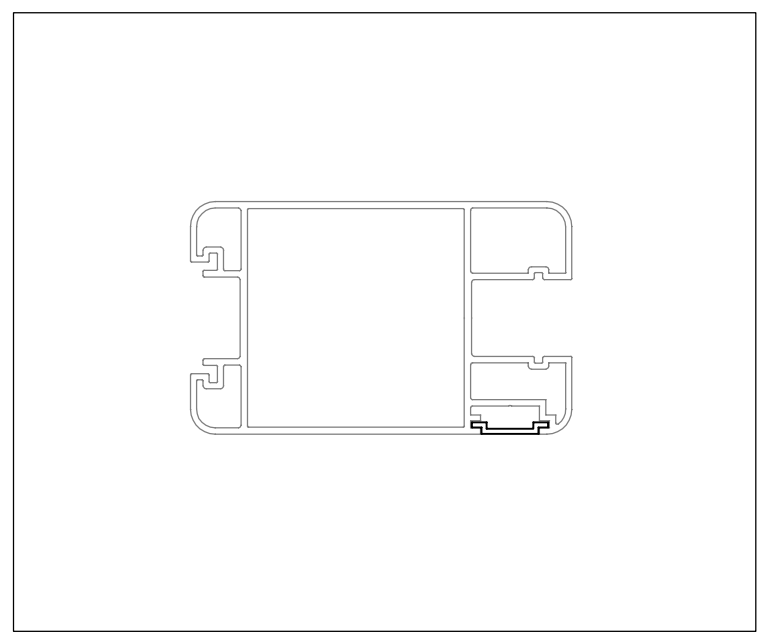
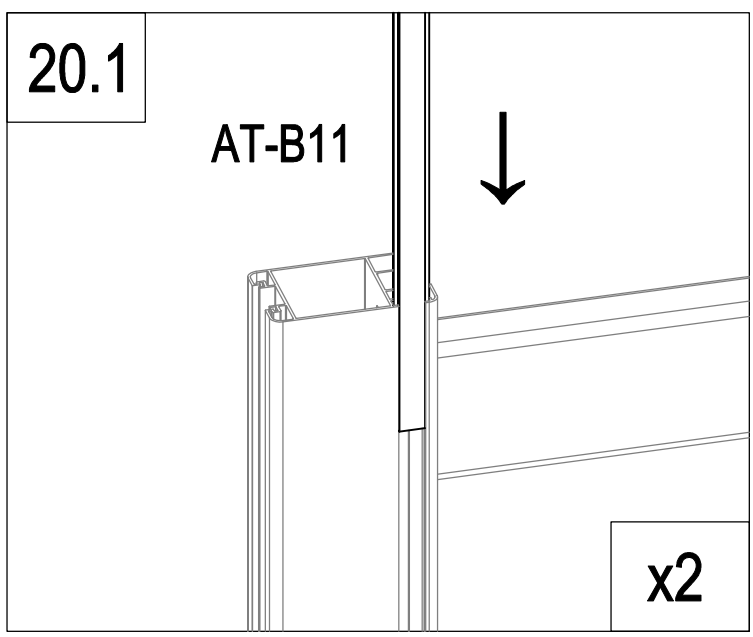
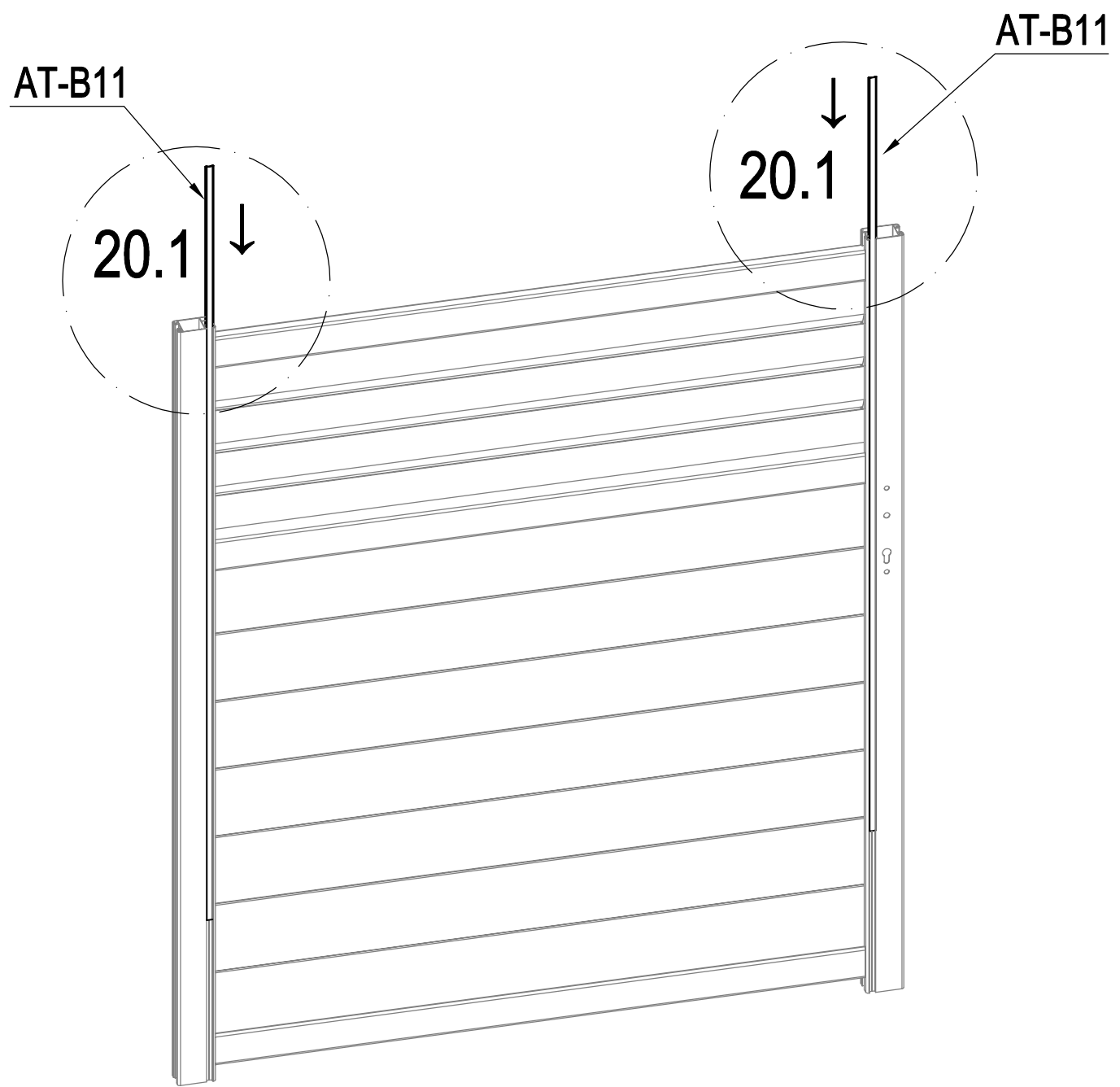
	SR-B1b	1
	Dr-28	3
	SR-M32	6

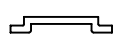


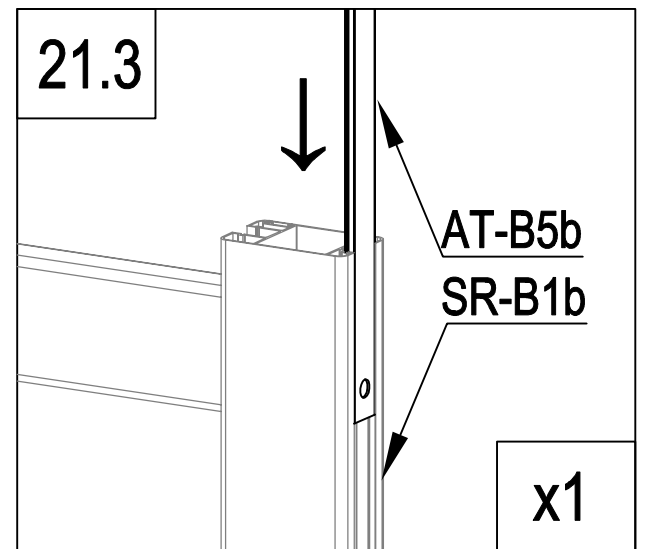
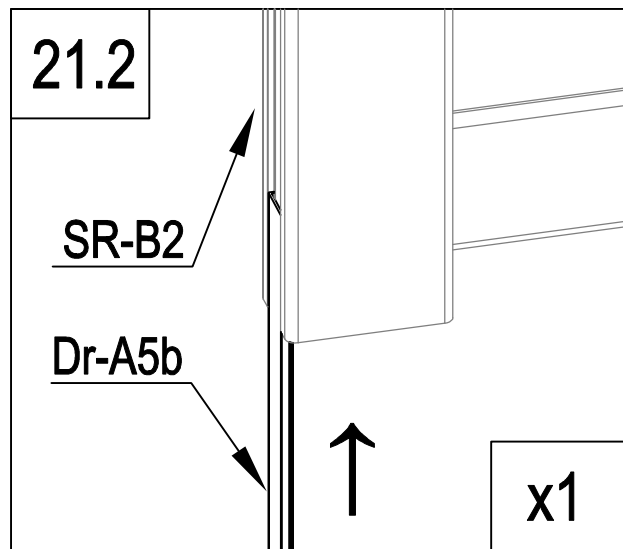
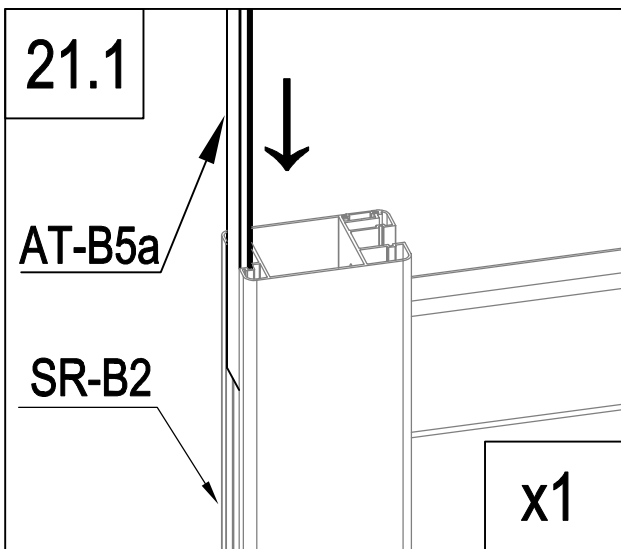
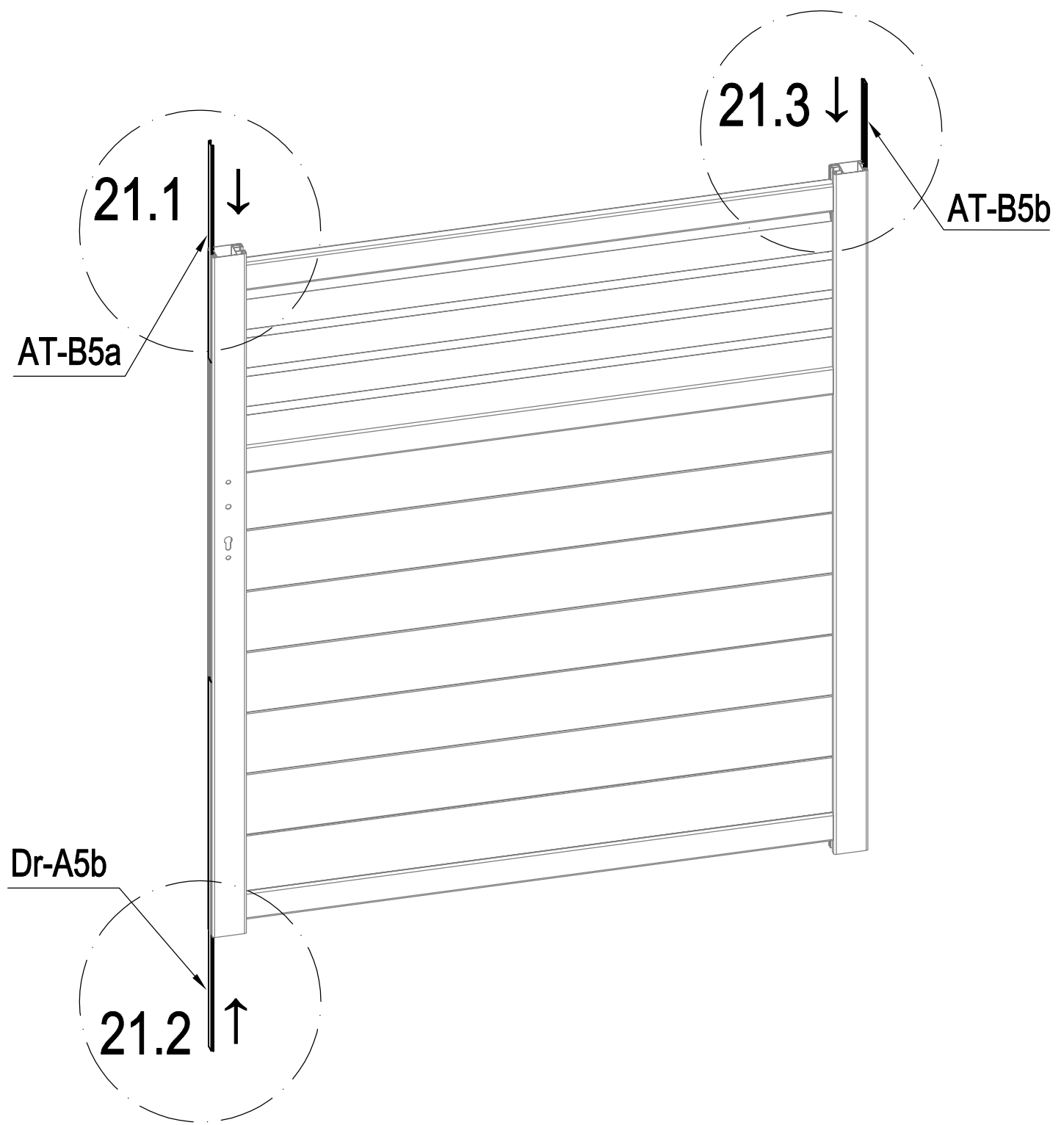
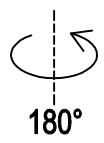
	SR-14	3
	SR-15	3



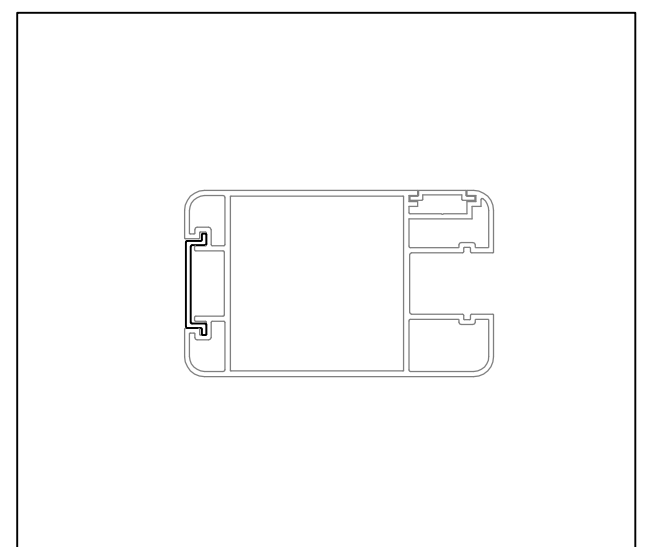
	SR-M34	36
---	--------	----

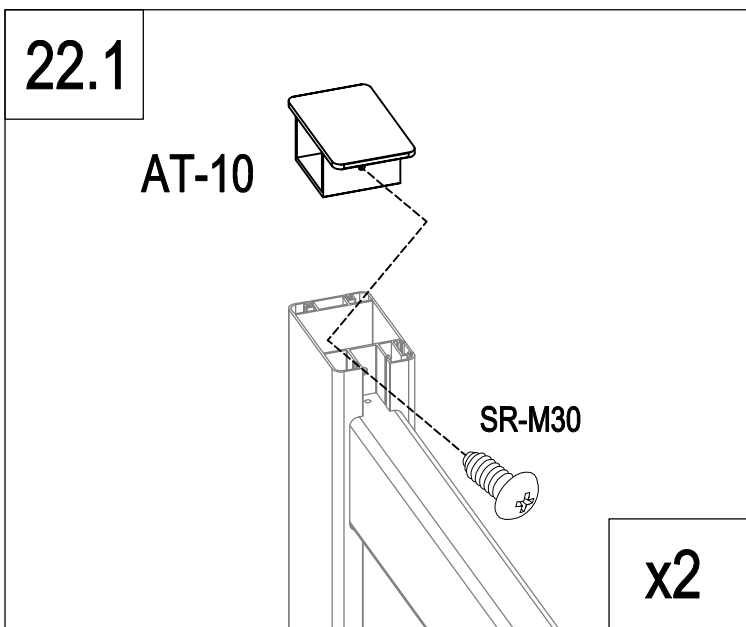
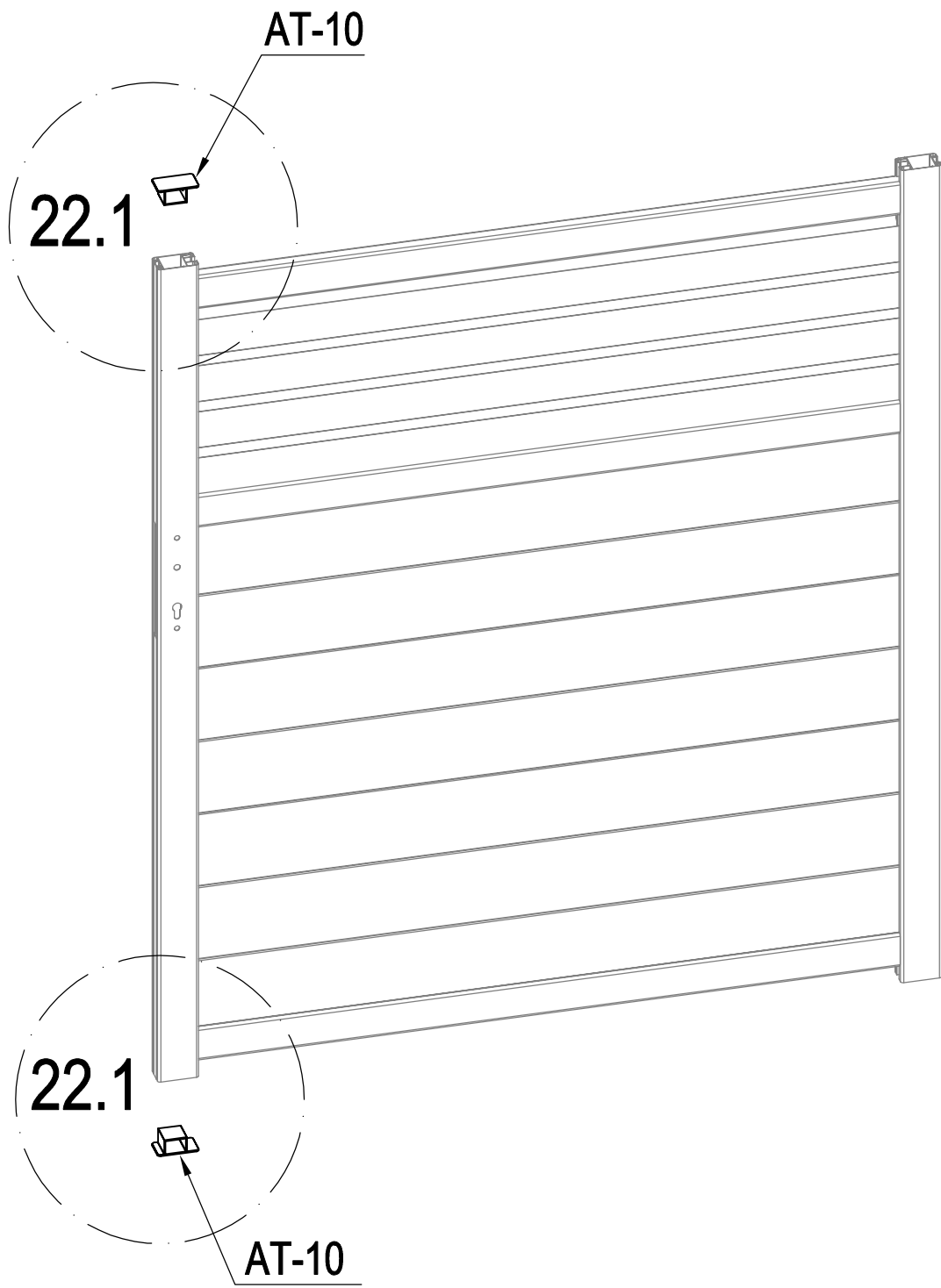




	<p>AT-B11</p>	<p>2</p>
---	---------------	----------

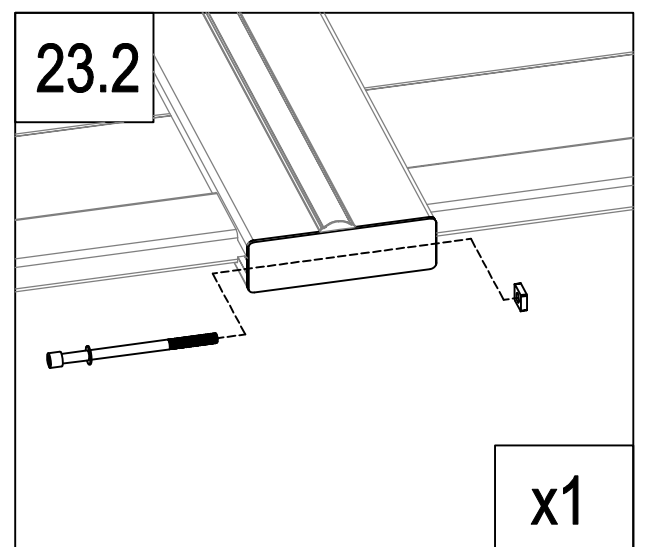
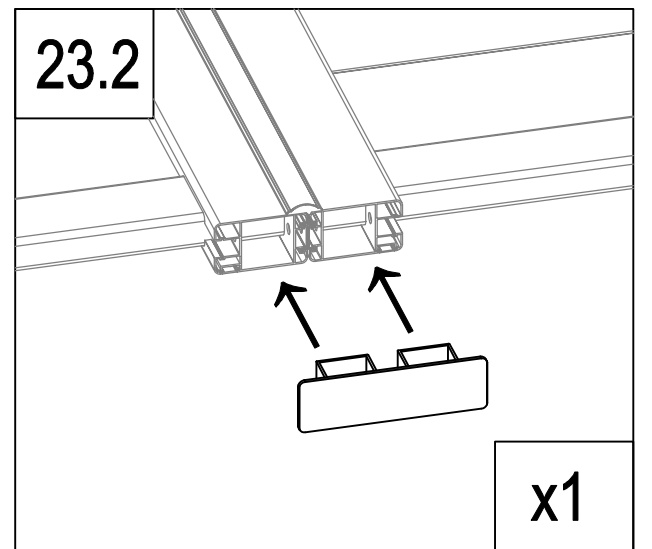
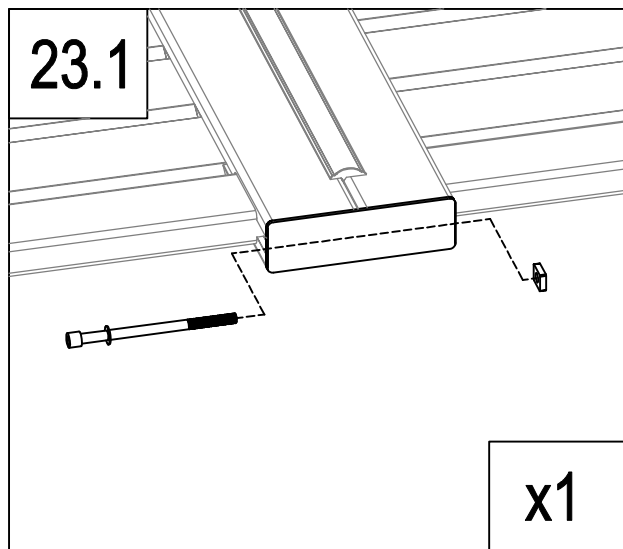
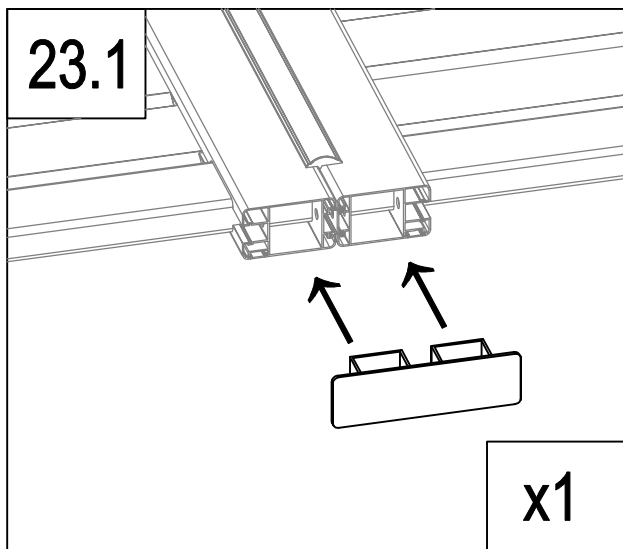
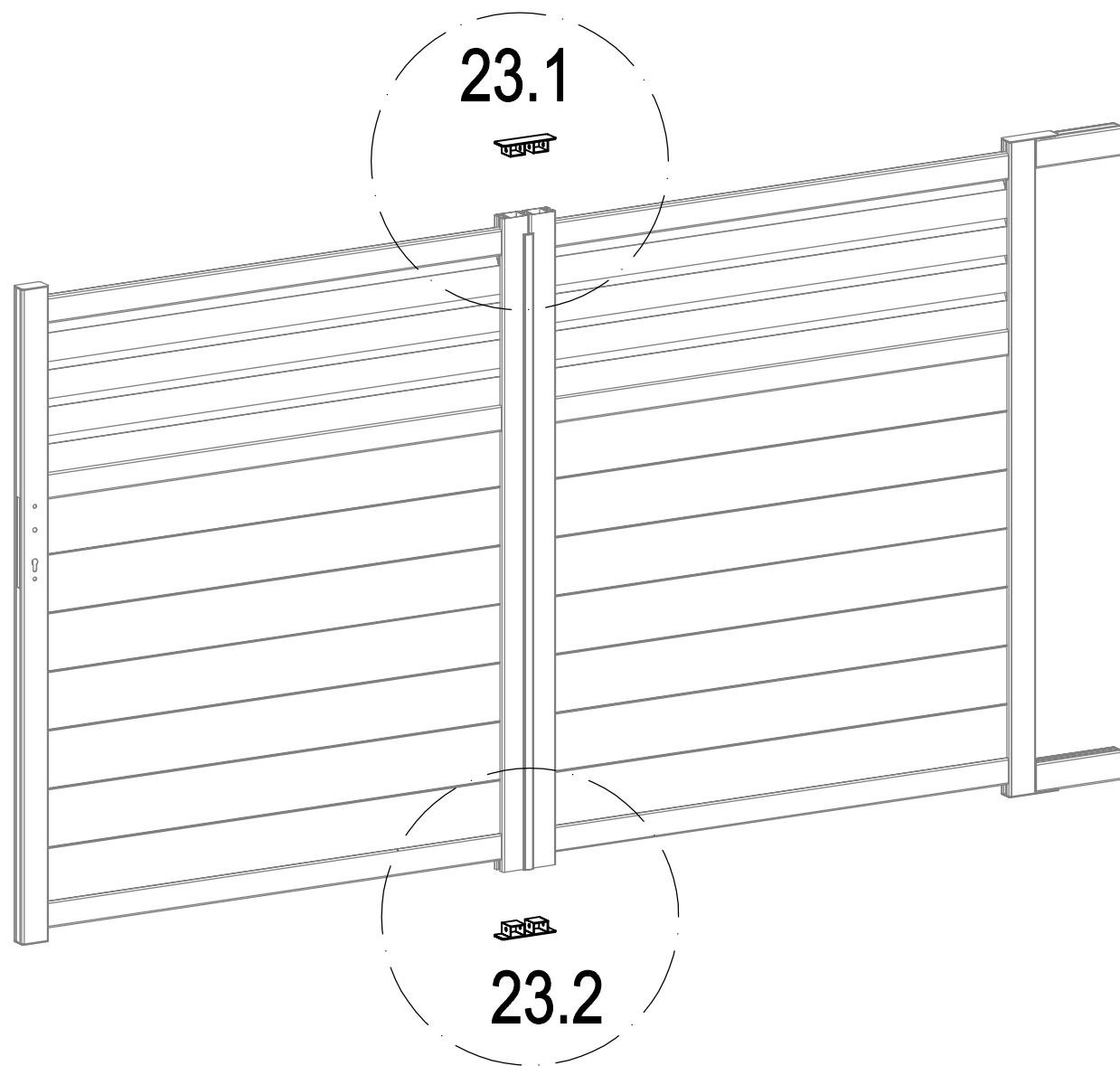


	AT-B5a	1
	AT-B5b	1
	Dr-A5b	1

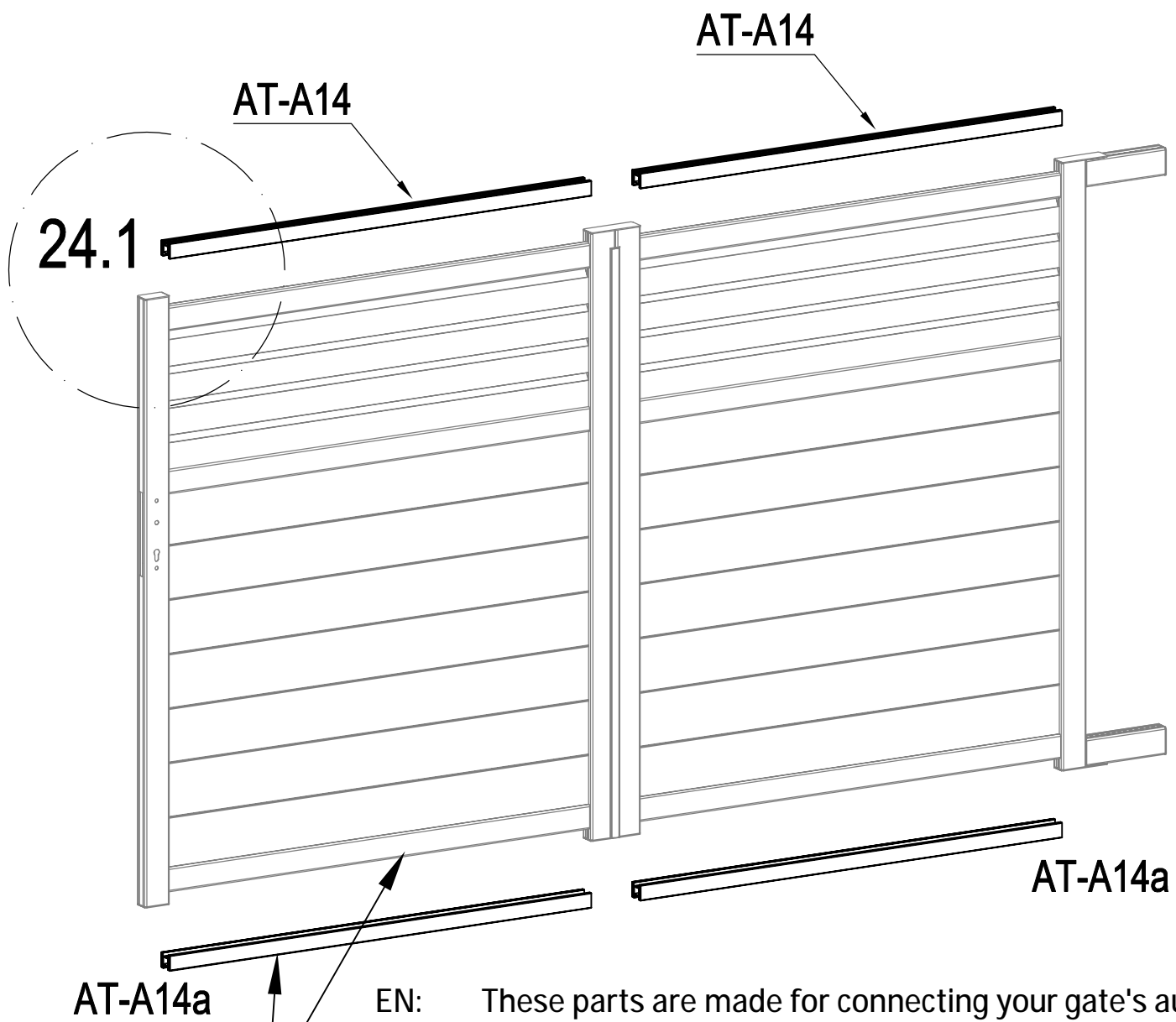




	AT-10	2
	SR-M30	2



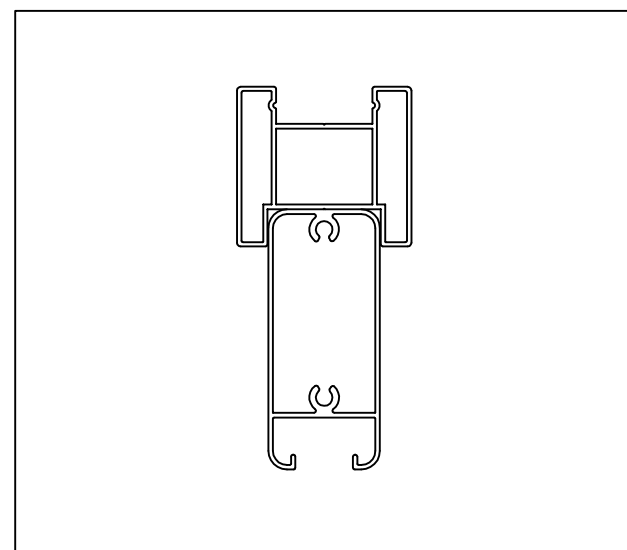
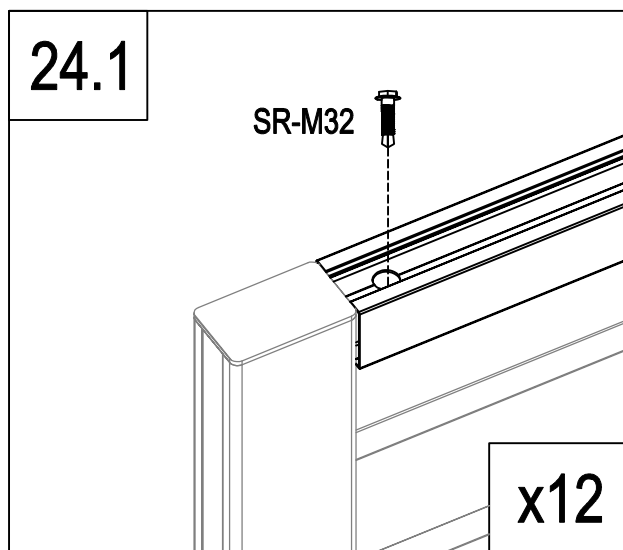
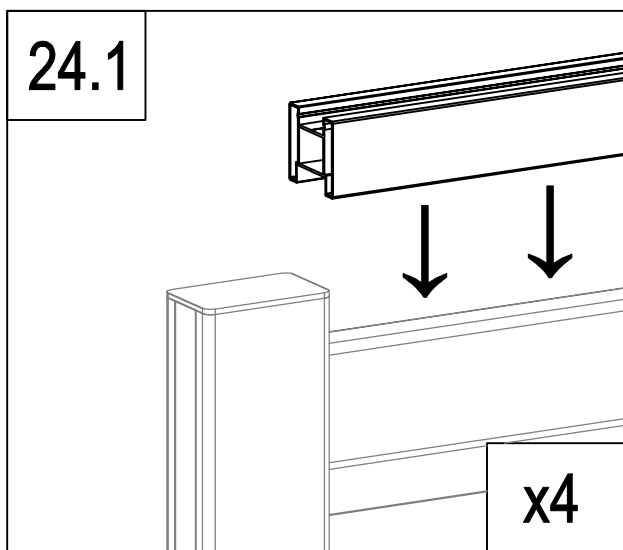
	AT-17	2
	SR-M33	2

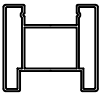
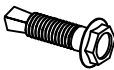


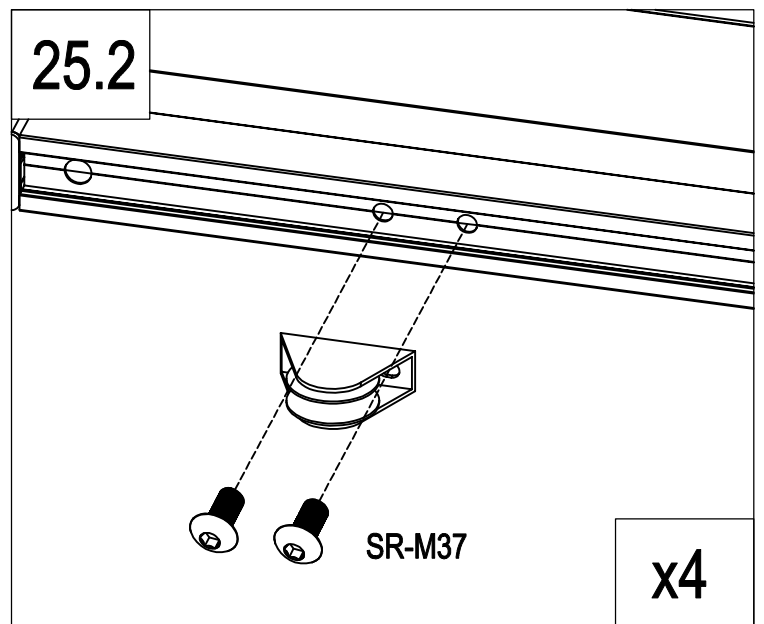
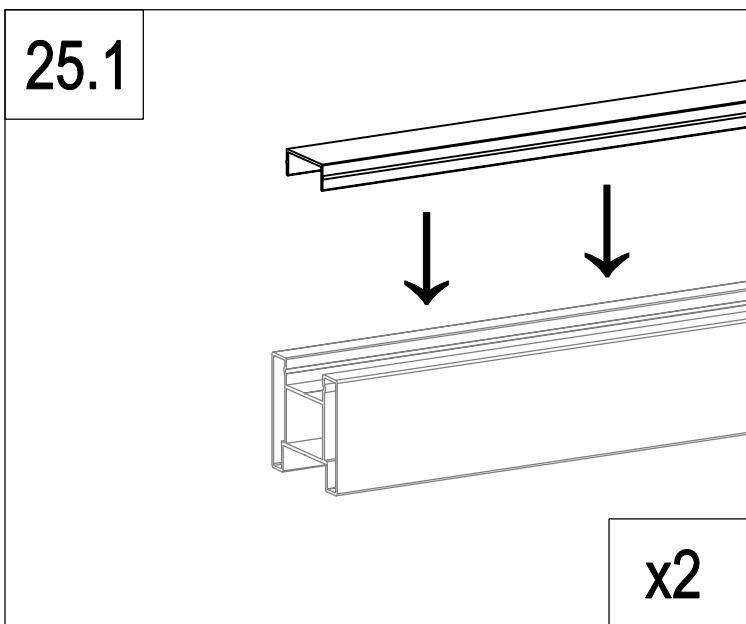
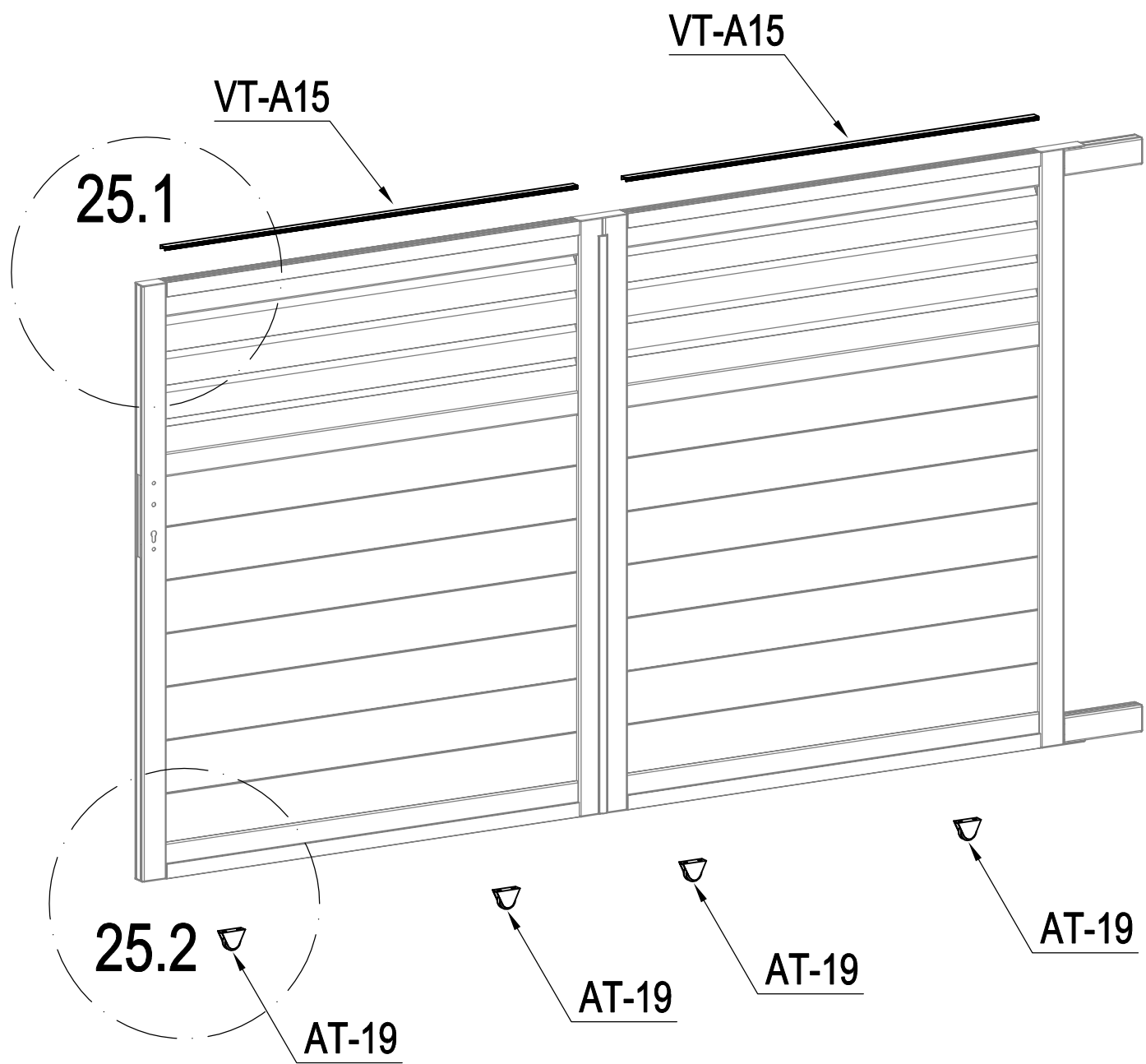
AT-A14a

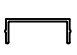




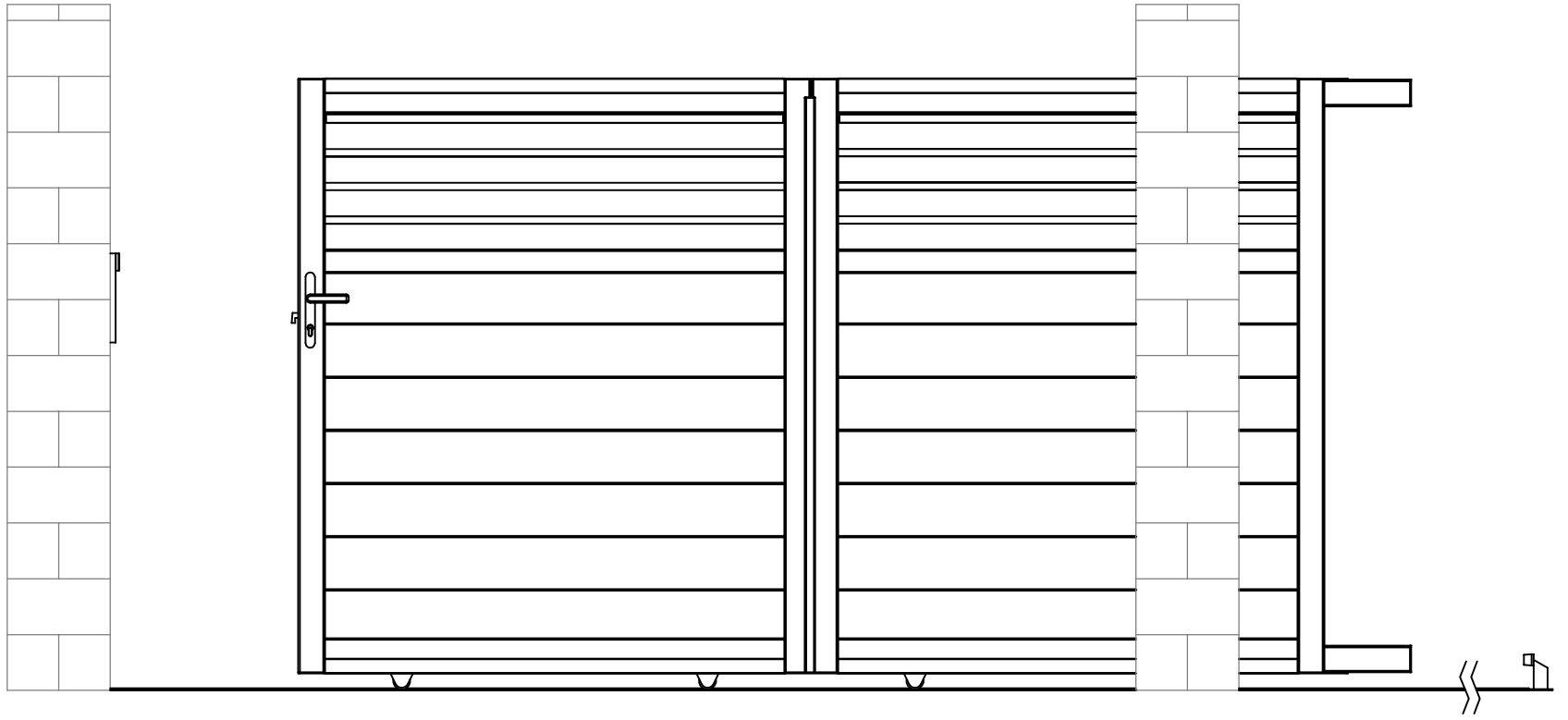
EN: These parts are made for connecting your gate's automation
 FR: Ces pièces sont faites pour relier l'automatisation de votre portail
 DE: Diese Teile sind für den Anschluss der Automatisierung Ihres Tores vorgesehen
 ES: Estas piezas están hechas para conectar la automatización de su puerta
 PT: Estas peças são feitas para ligar a automatização do seu portão
 IT: Queste parti sono realizzate per collegare l'automazione del vostro cancello
 NL: Deze onderdelen zijn gemaakt voor het aansluiten van de automatisering van uw poort.
 PL: Te części są wykonane do podłączenia automatyki bramy.



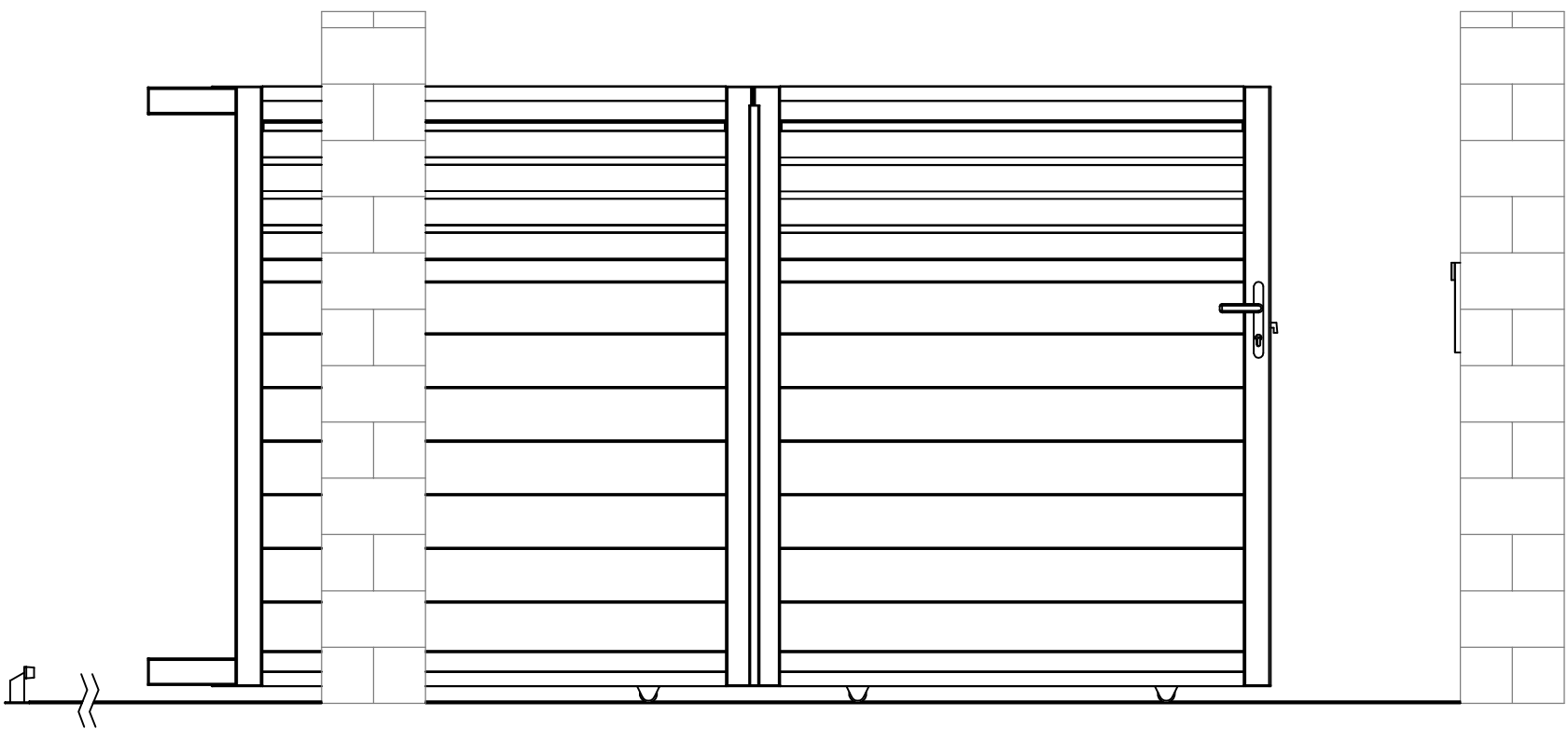
	AT-A14	2
	AT-A14a	2
	SR-M32	12



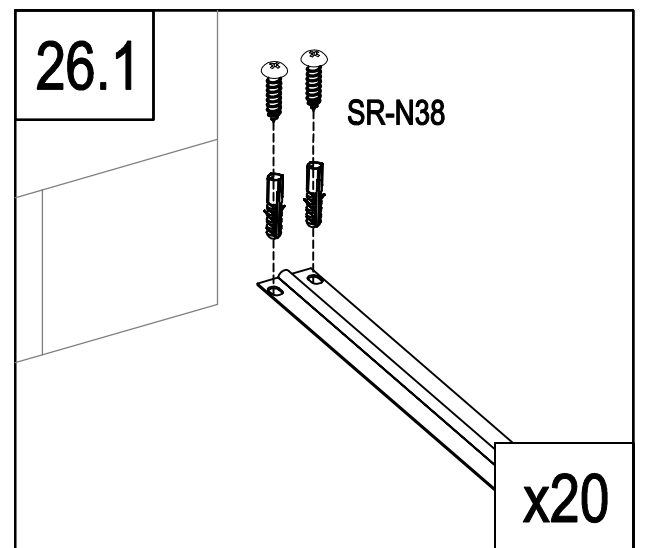
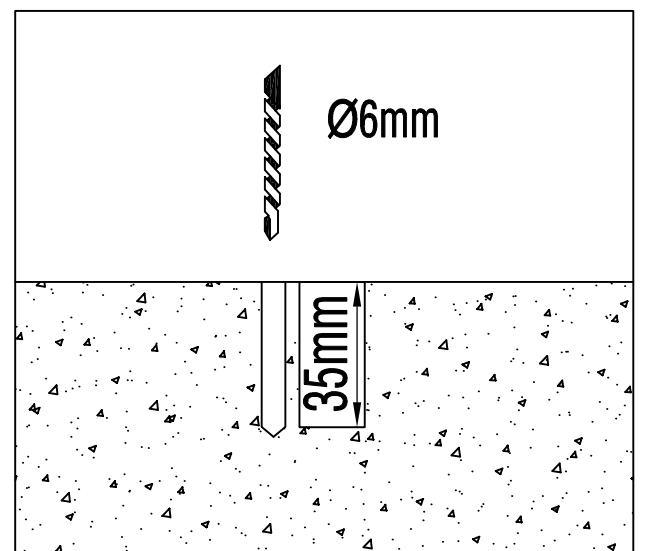
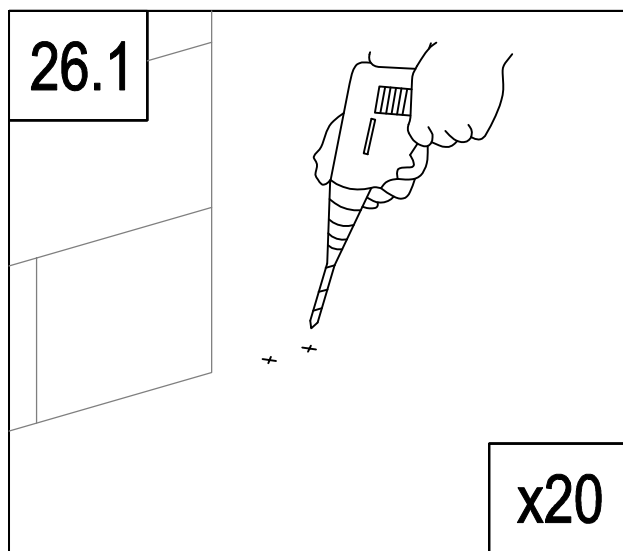
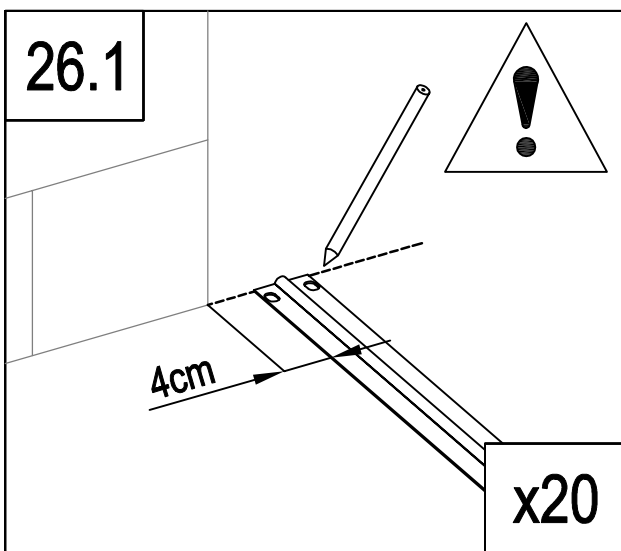
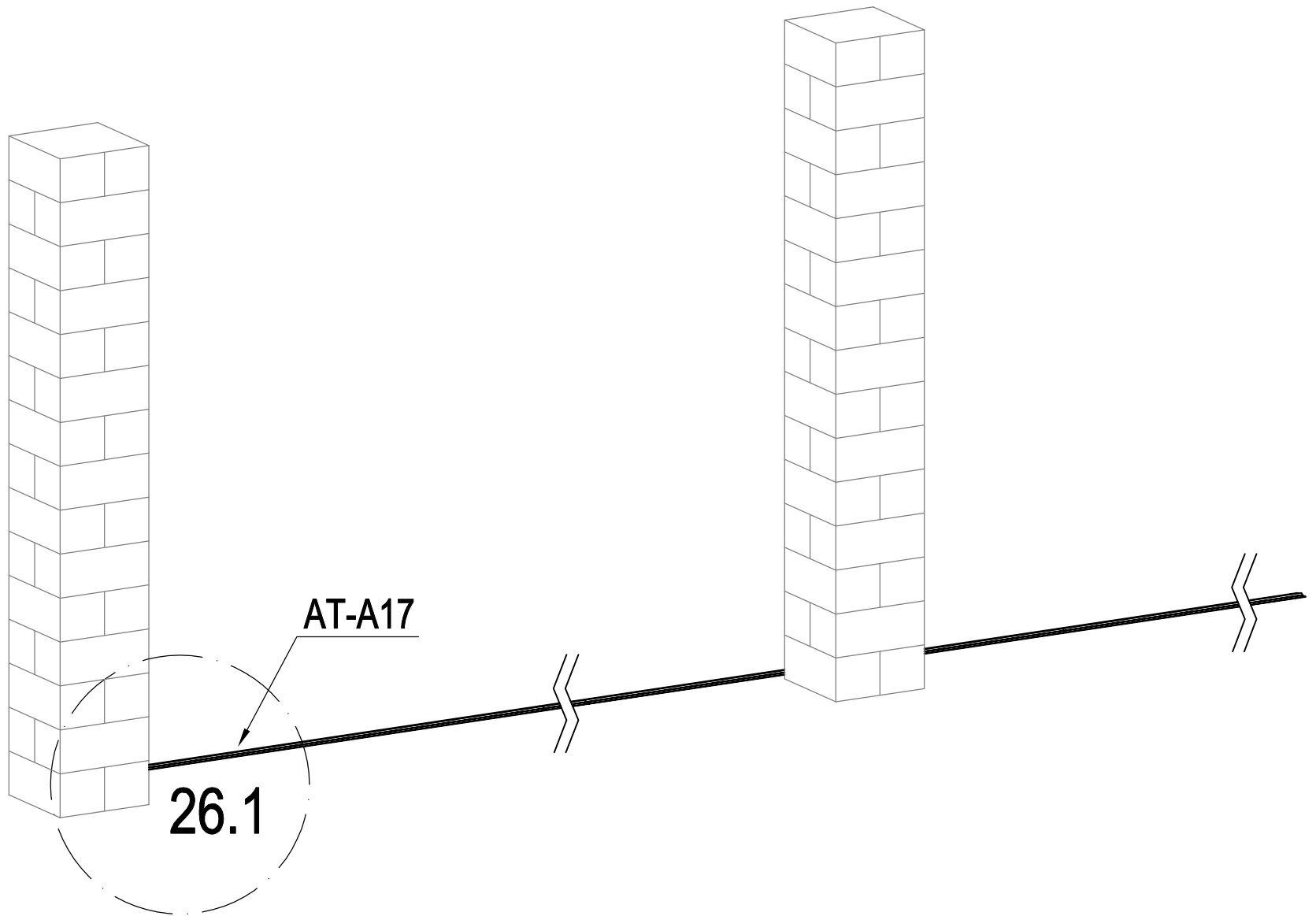
	VT-A15	2
	AT-19	4
	SR-M37	8





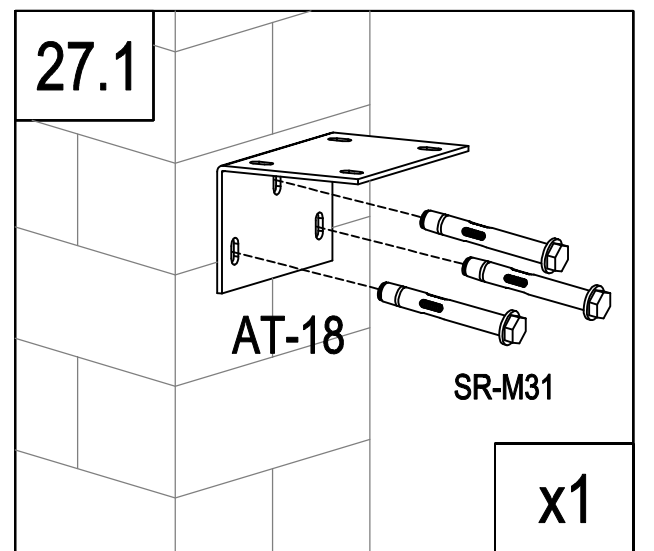
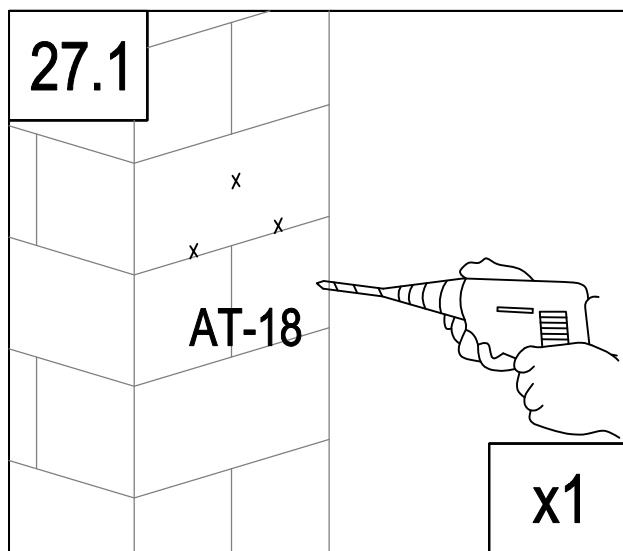
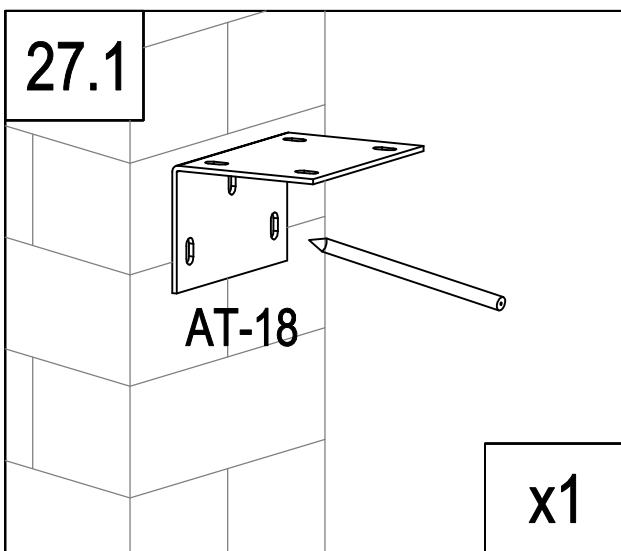
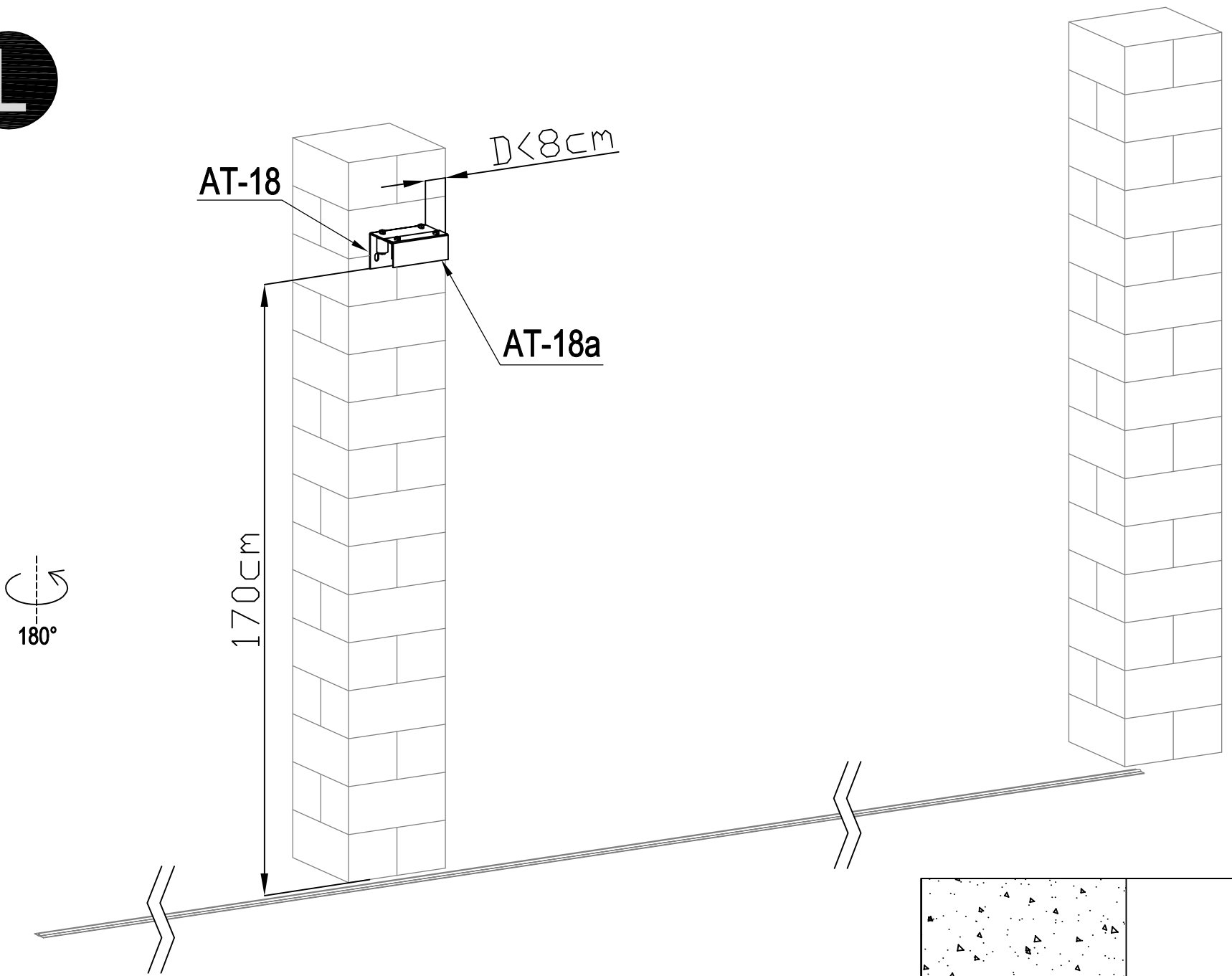
L : P26~31



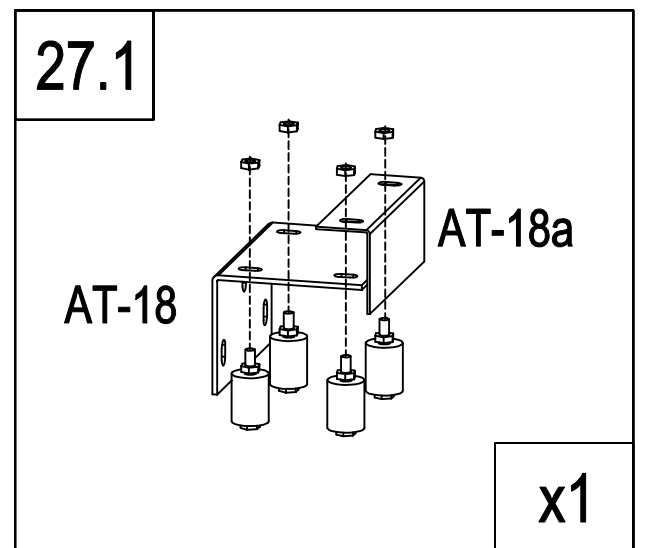
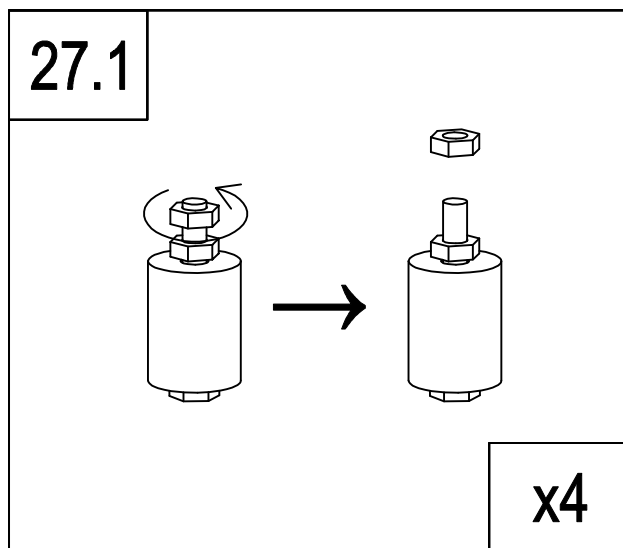
R : P32~37



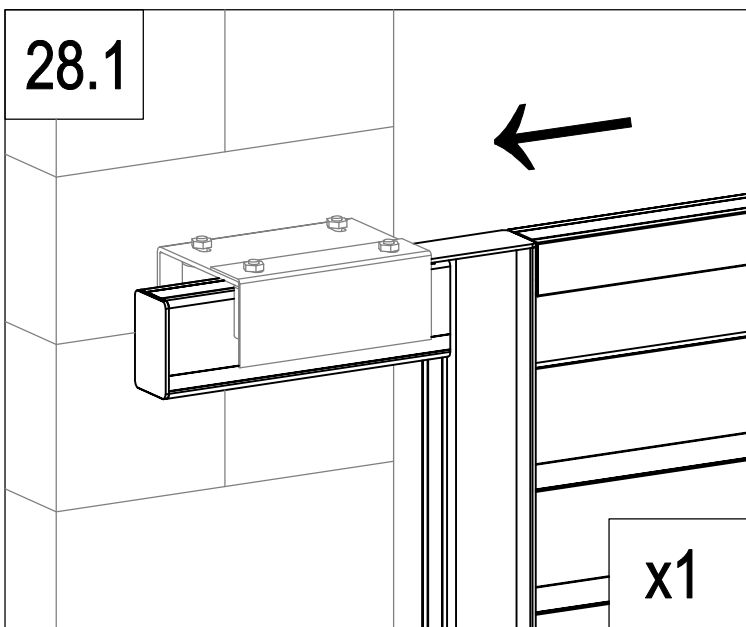
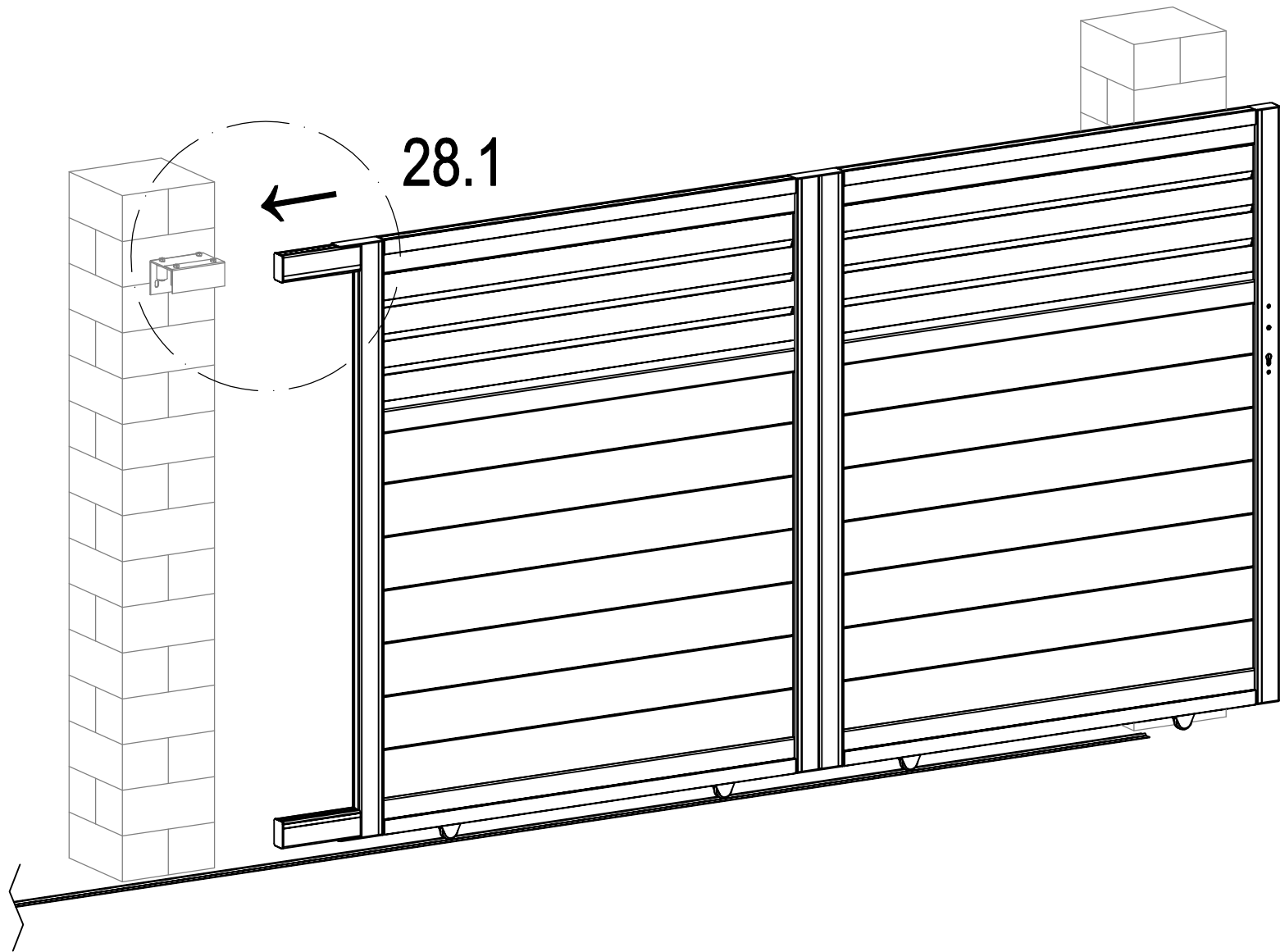
	AT-A17	5
	SR-M38	40

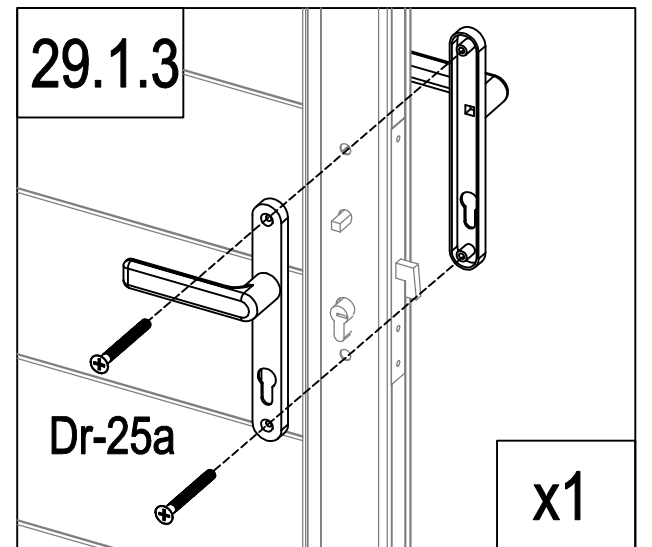
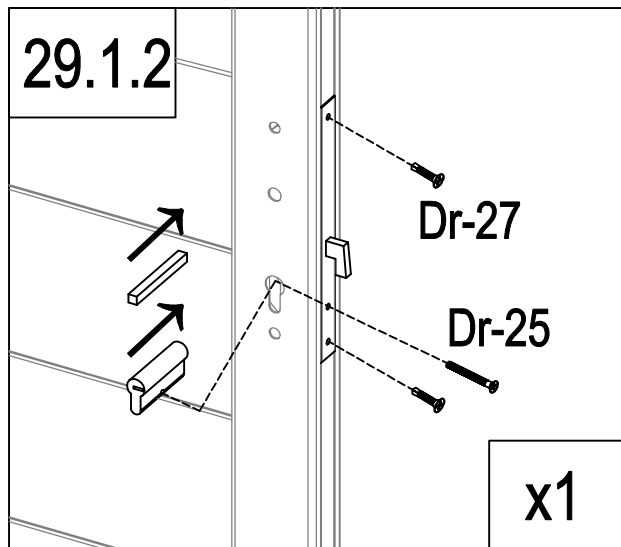
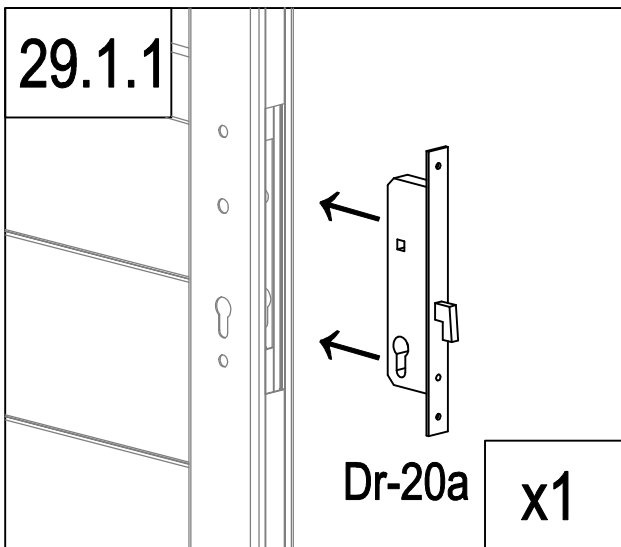
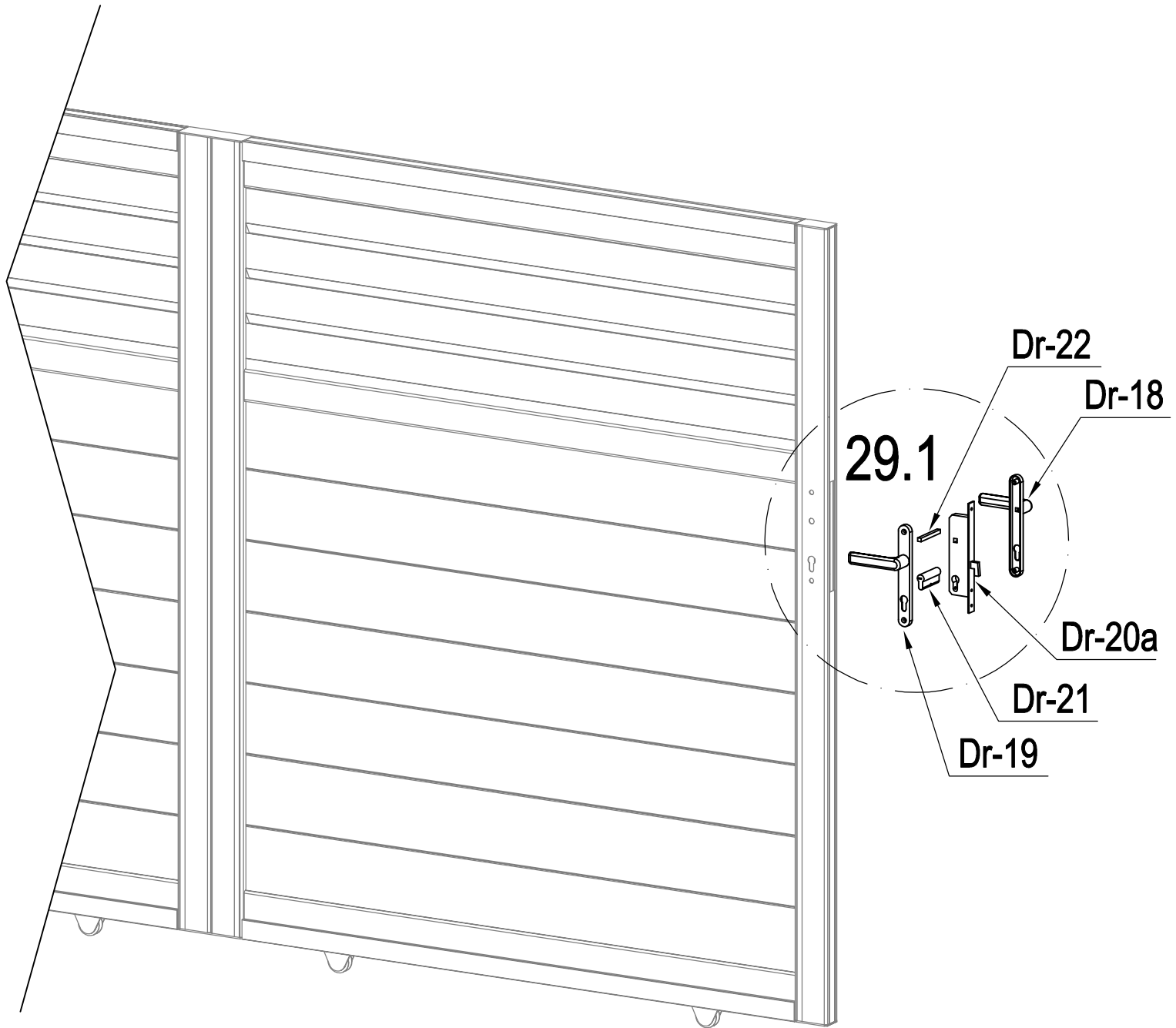


	AT-18	1
	AT-18a	1
	AT-20	4
	SR-M31	3



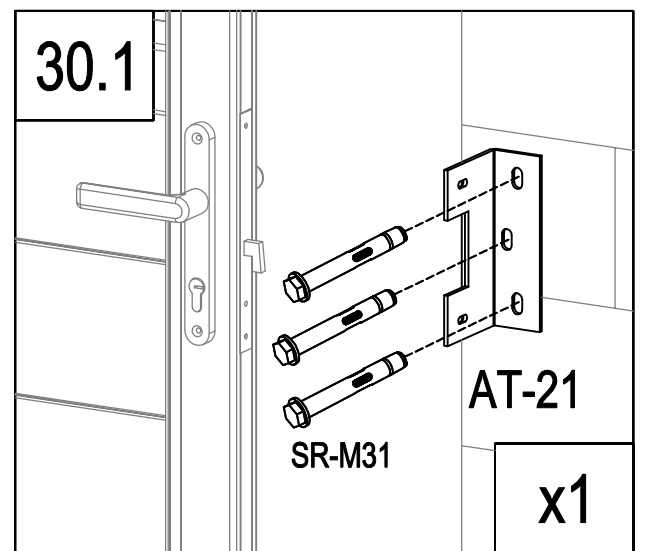
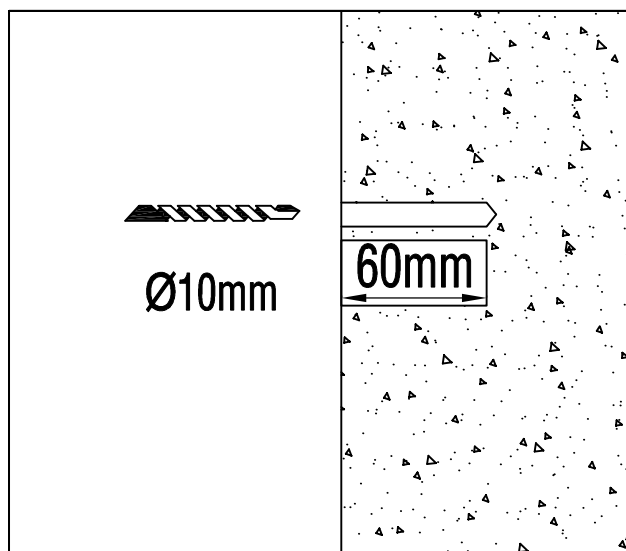
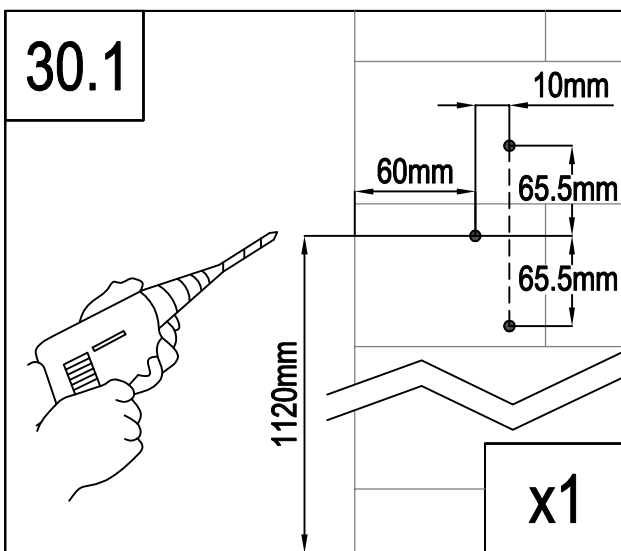
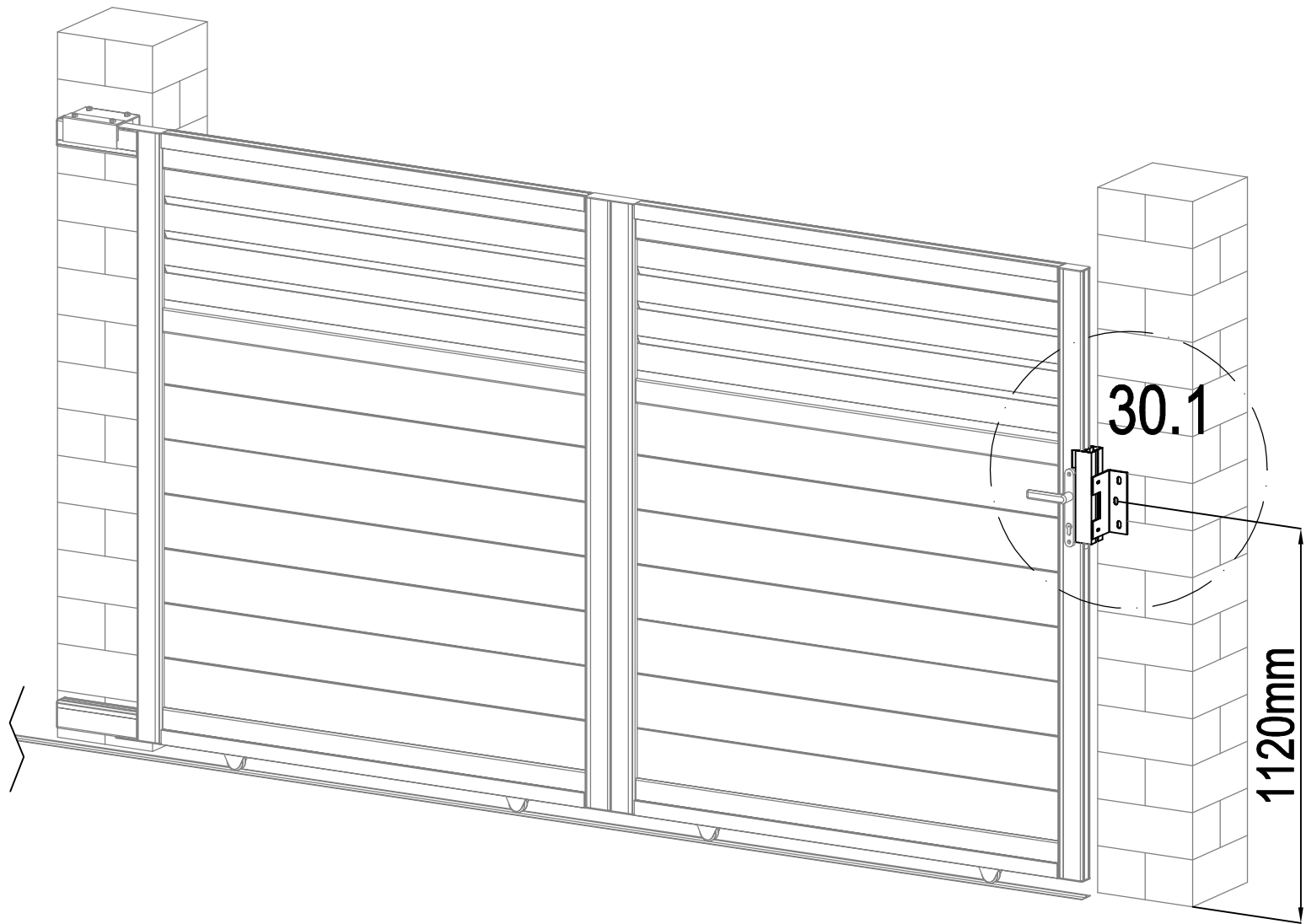
L



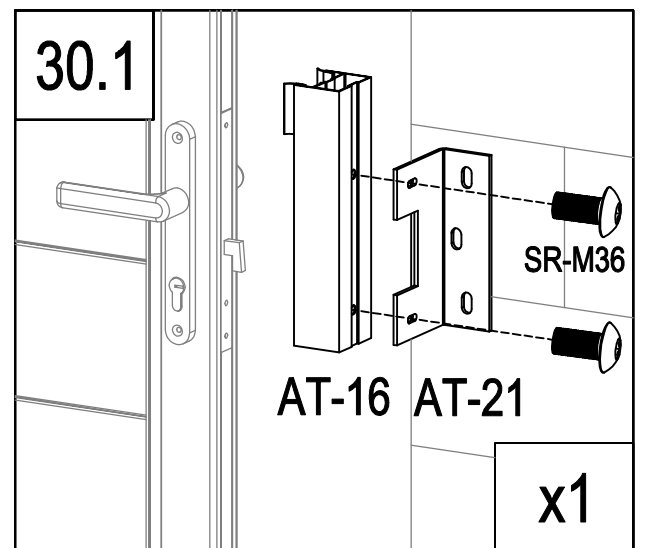


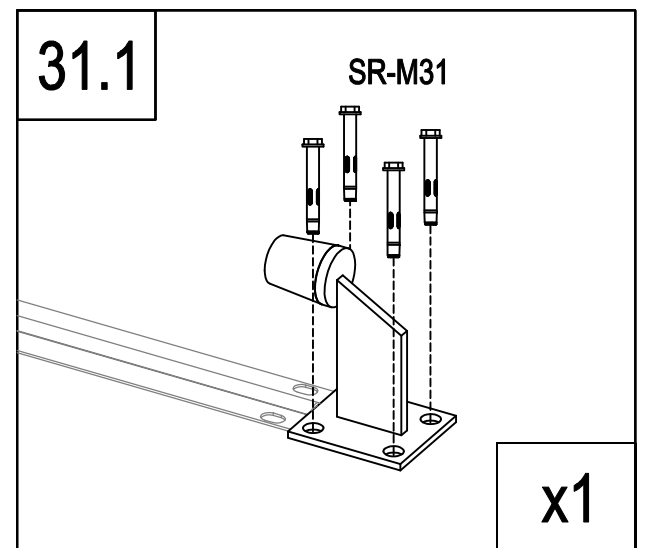
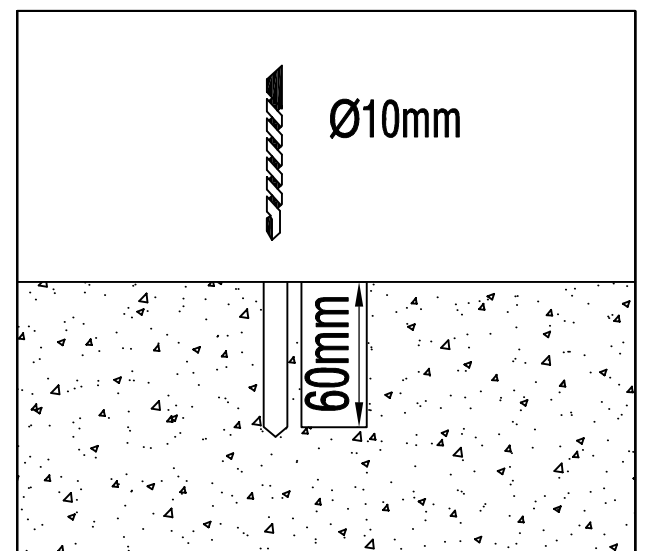
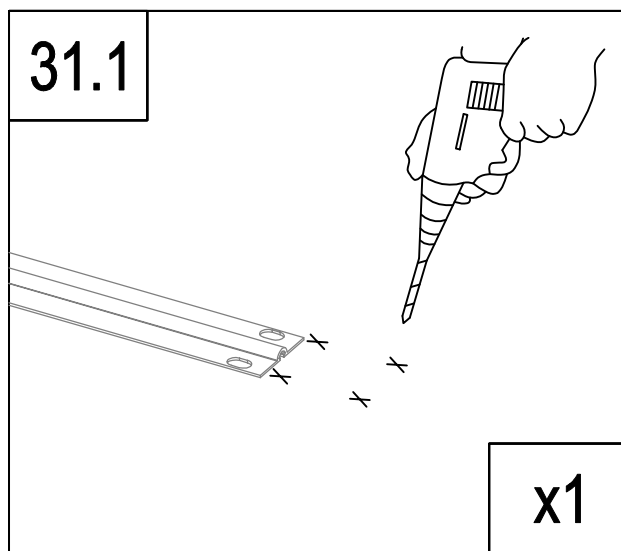
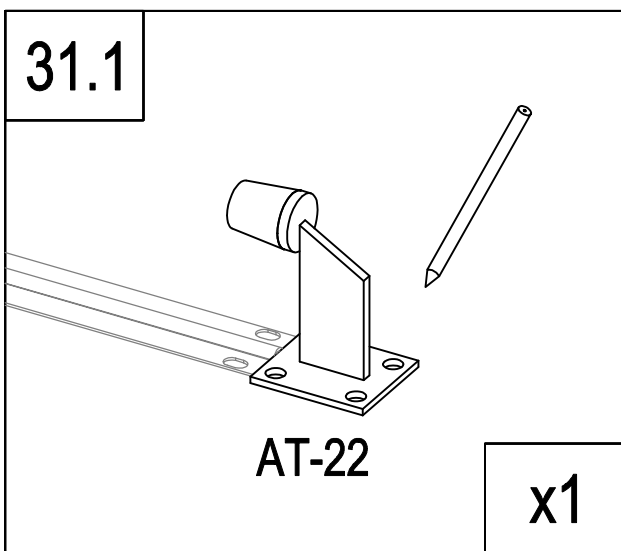
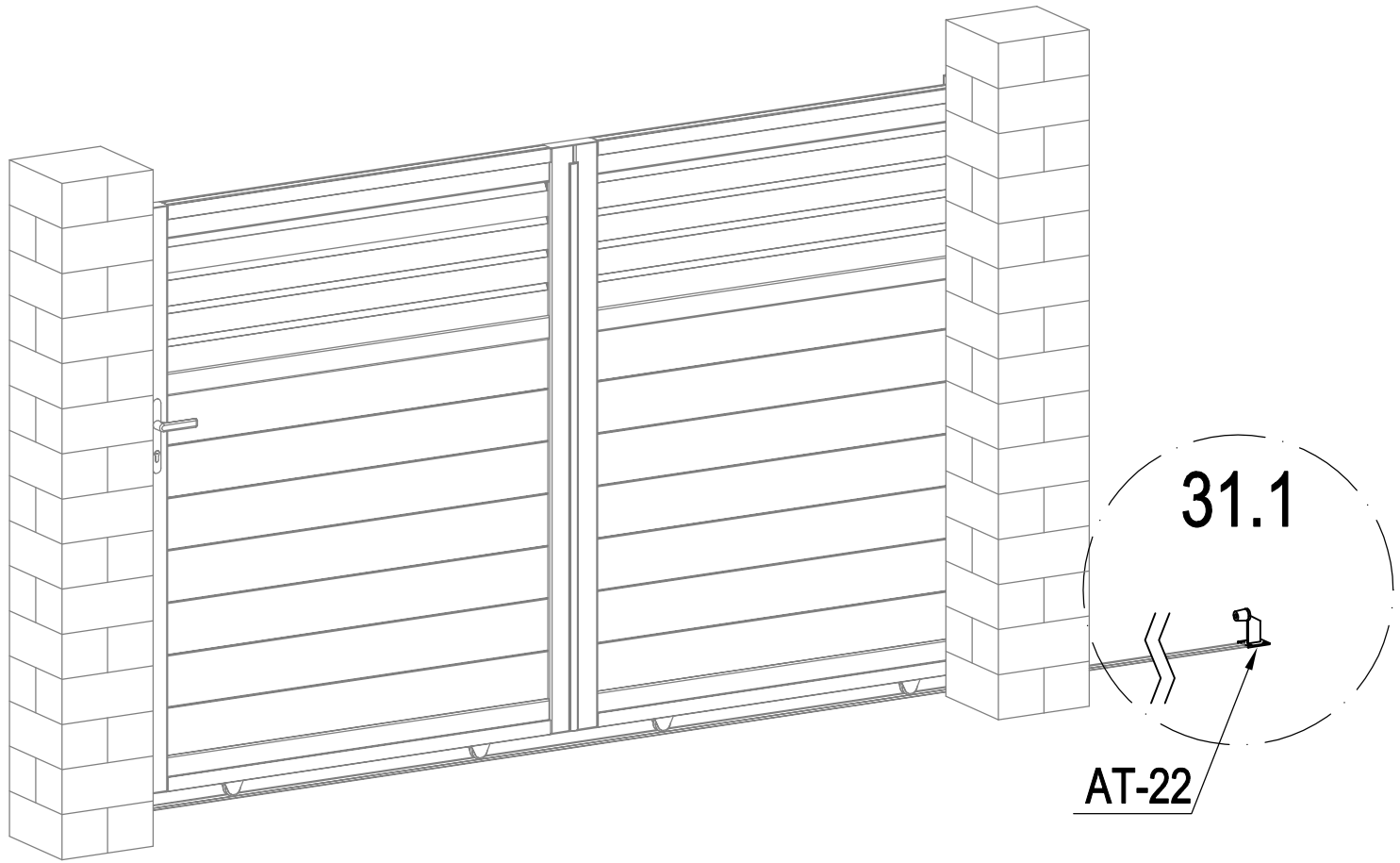
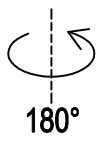
	Dr-20a	1
	Dr-21	1
	Dr-22	1
	Dr-25	1

	Dr-18	1
	Dr-19	1
	Dr-25a	2
	Dr-27	2



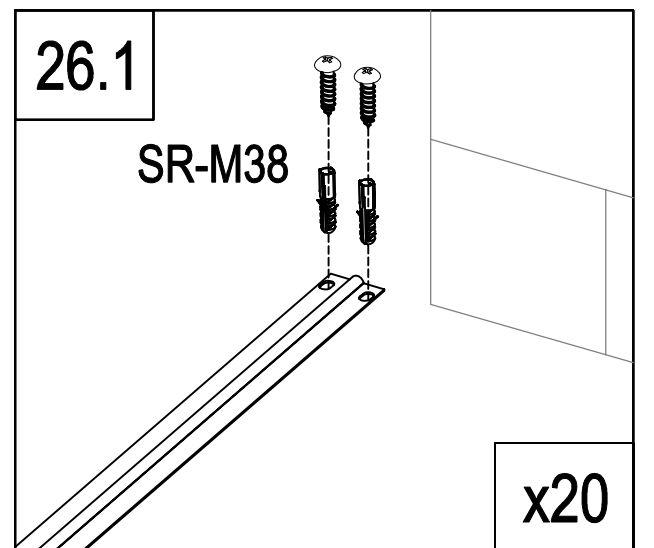
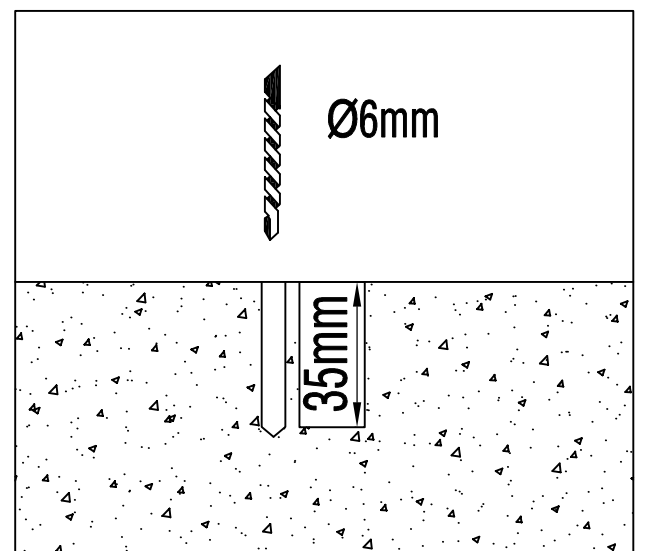
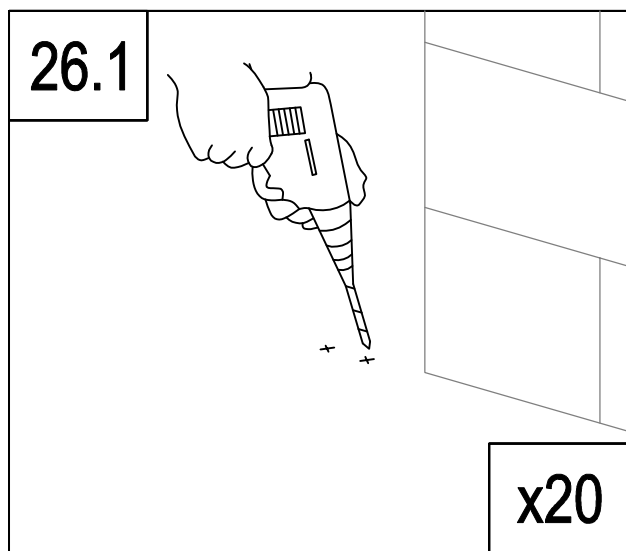
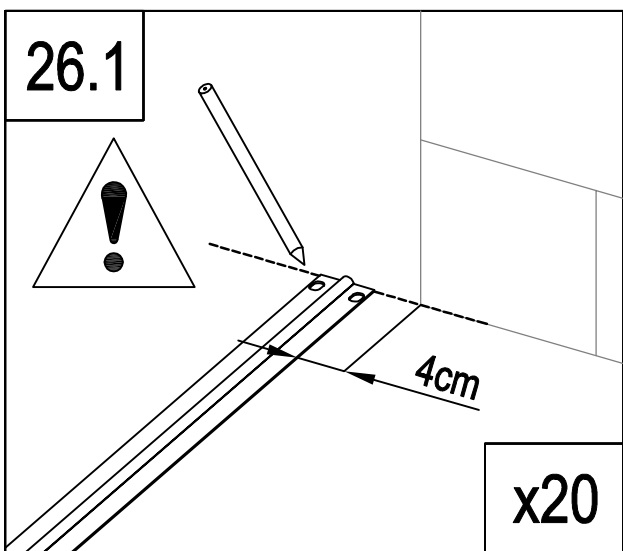
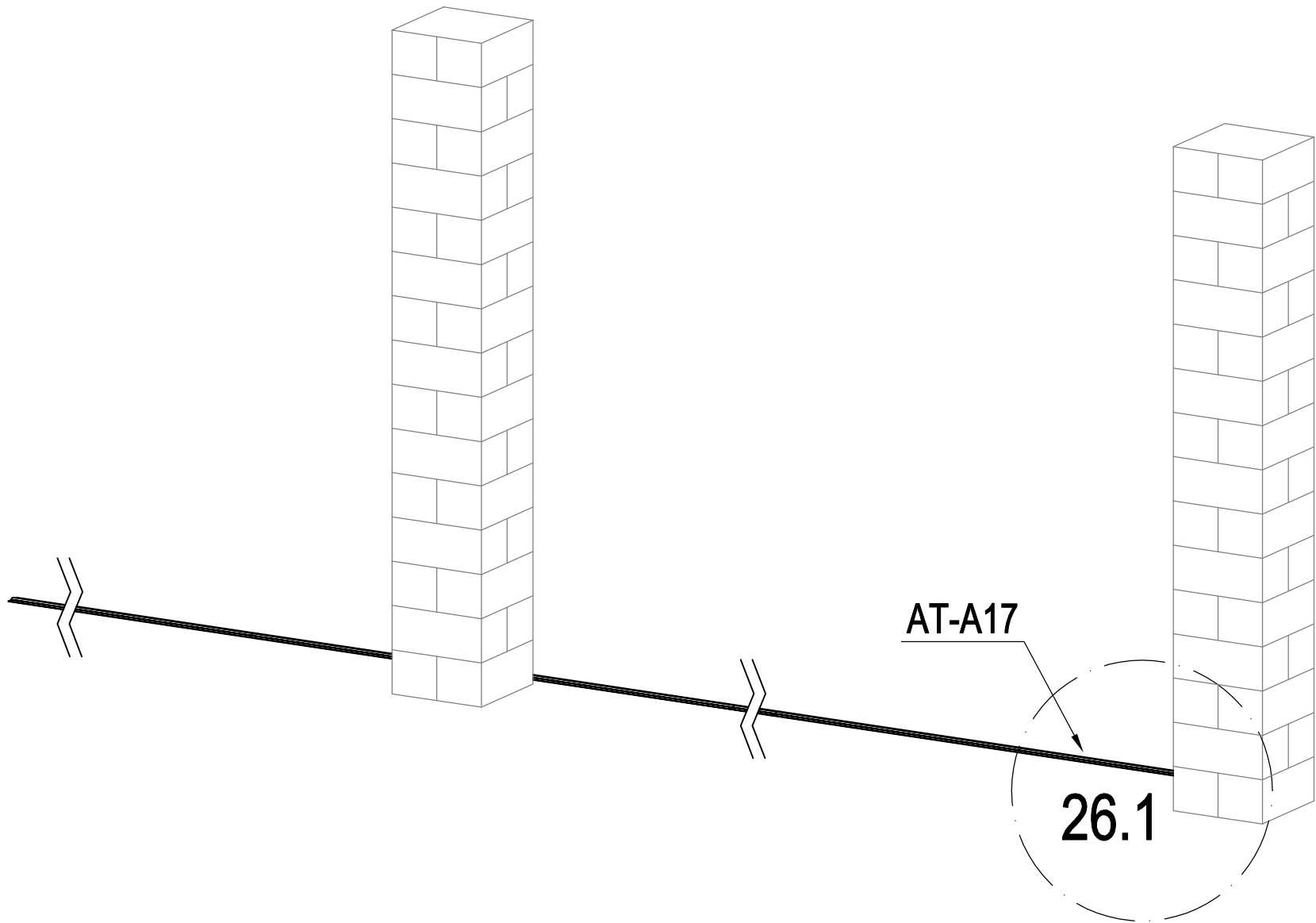
	AT-16	1
	AT-21	1
	SR-M36	2
	SR-M31	3







	AT-22	1
	SR-M31	4

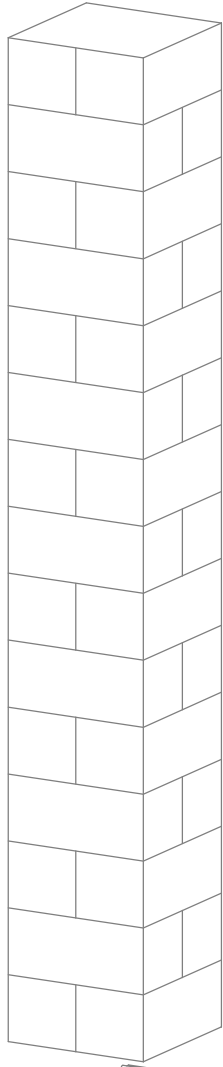
R



	AT-A17	5
	SR-M38	40

R

180°

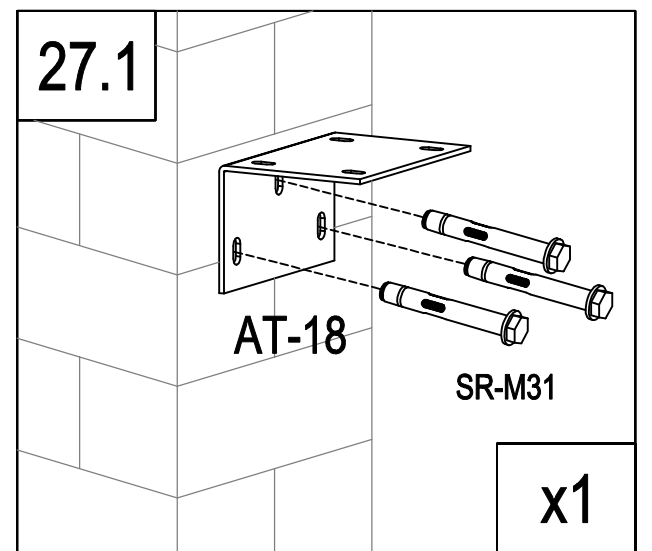
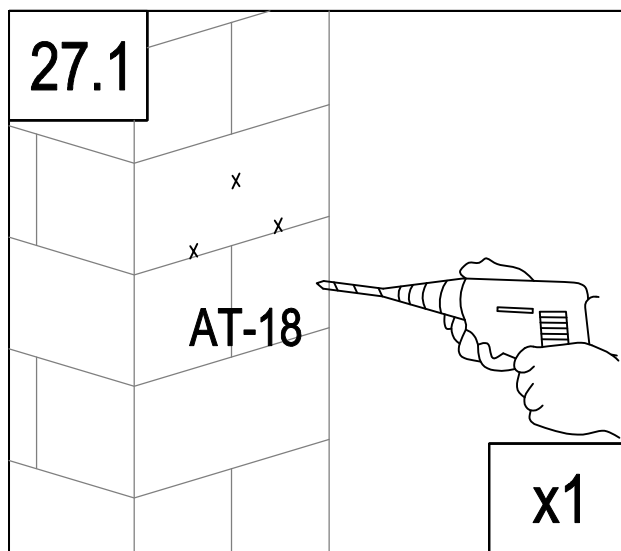
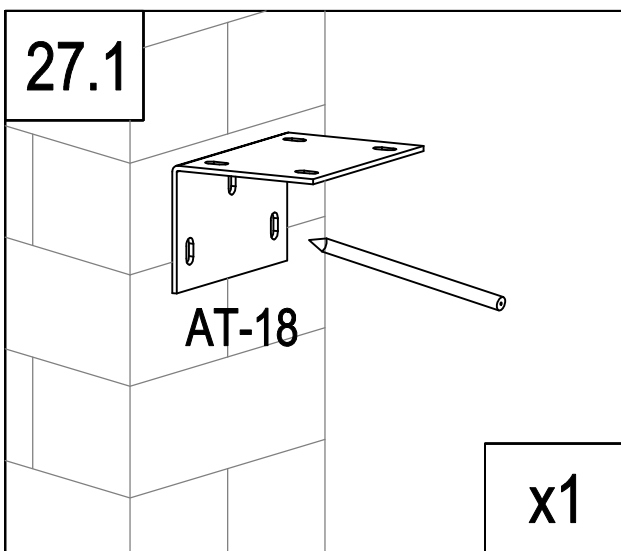
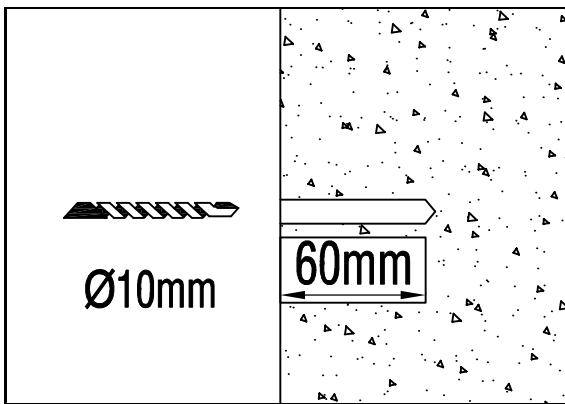


$D < 8\text{cm}$

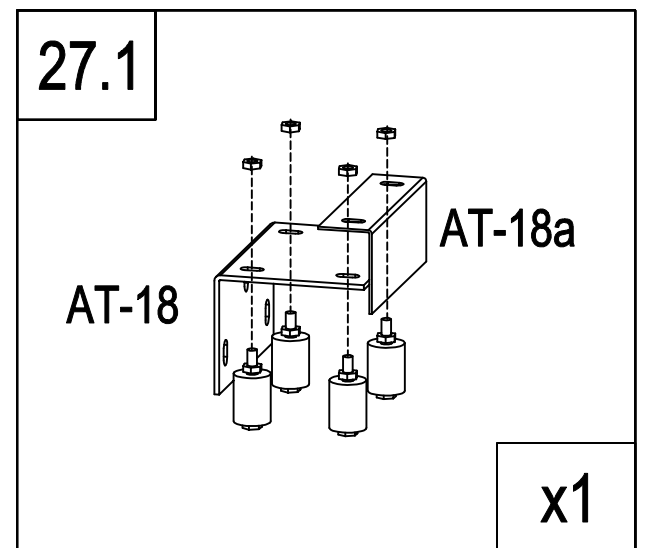
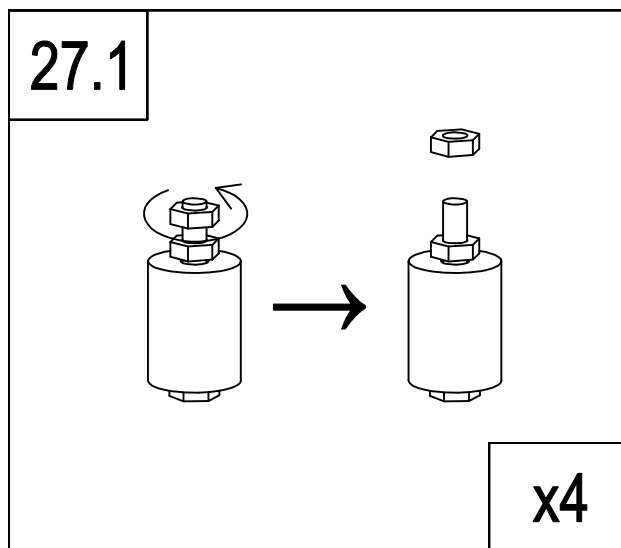
AT-18

AT-18a

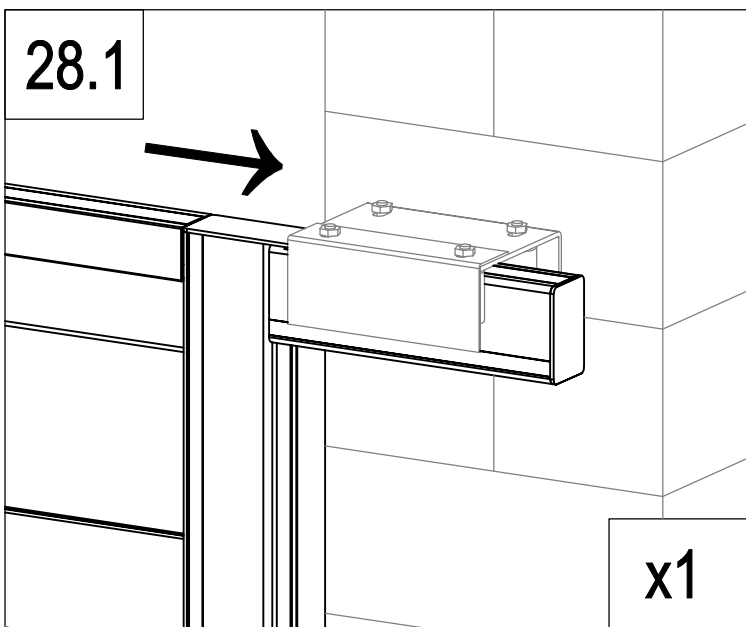
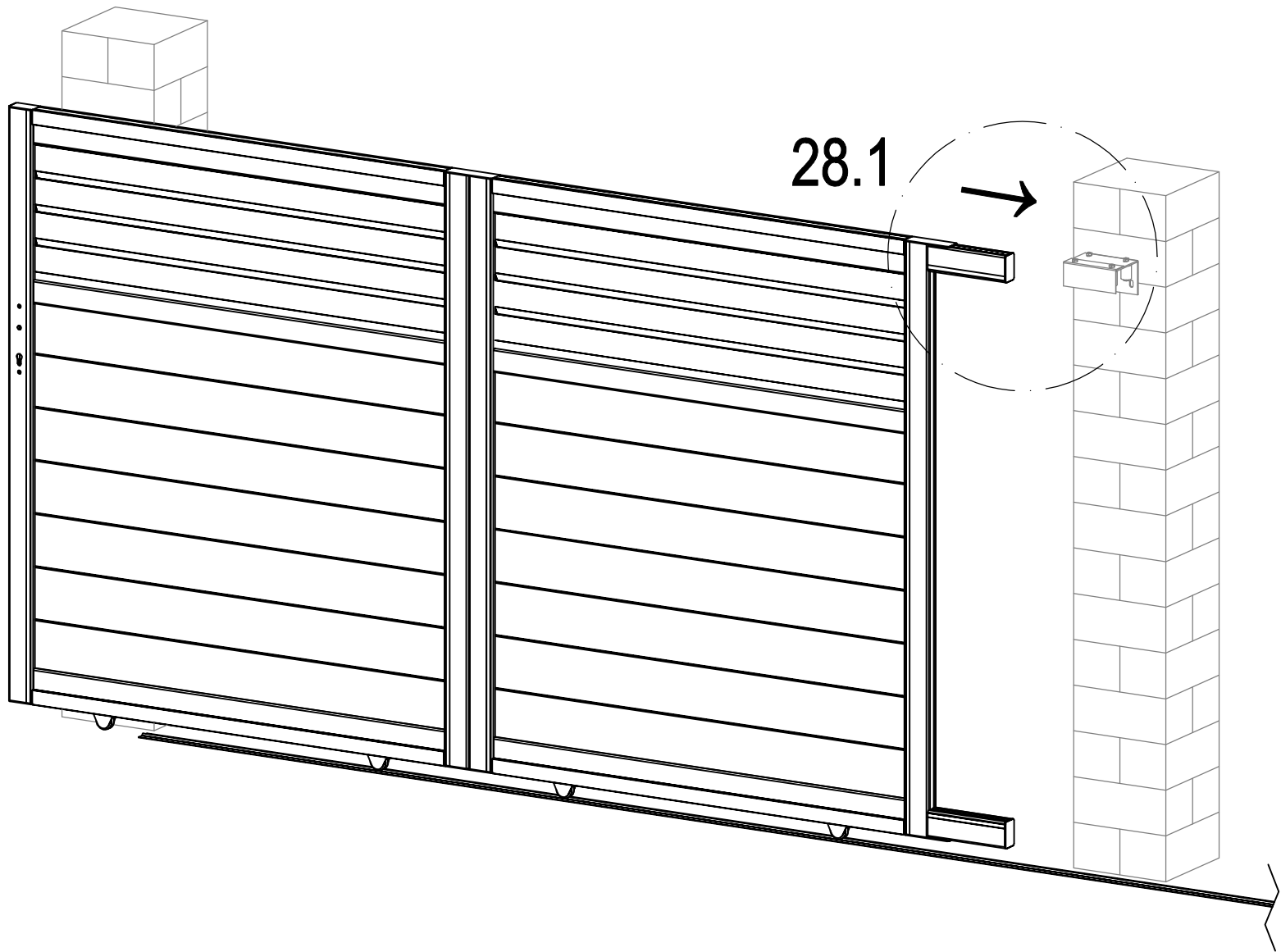
170cm

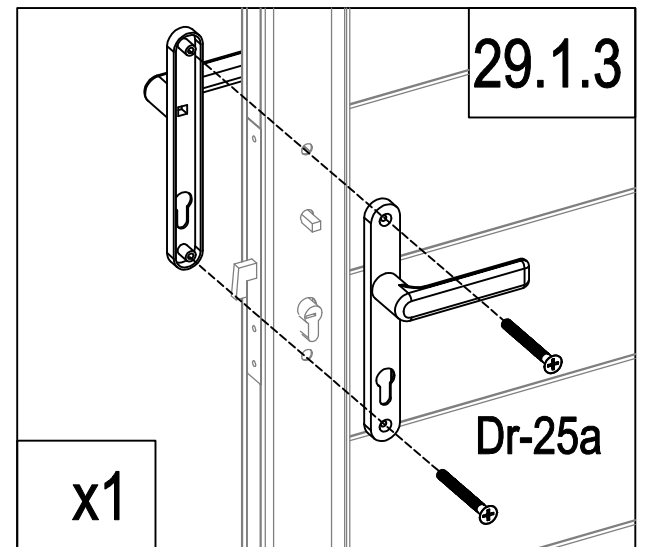
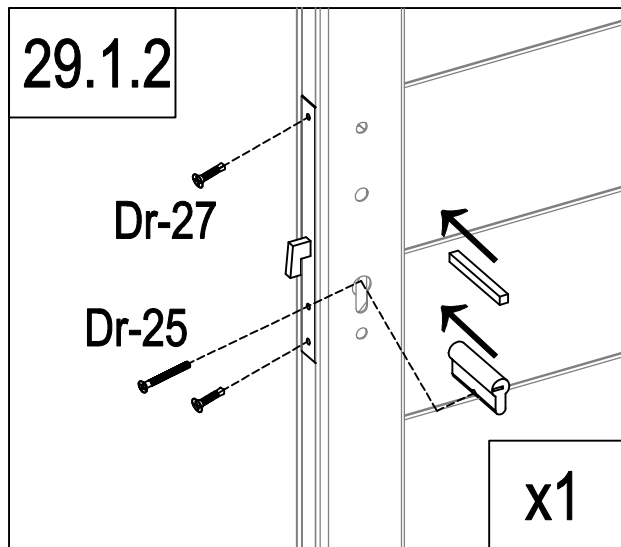
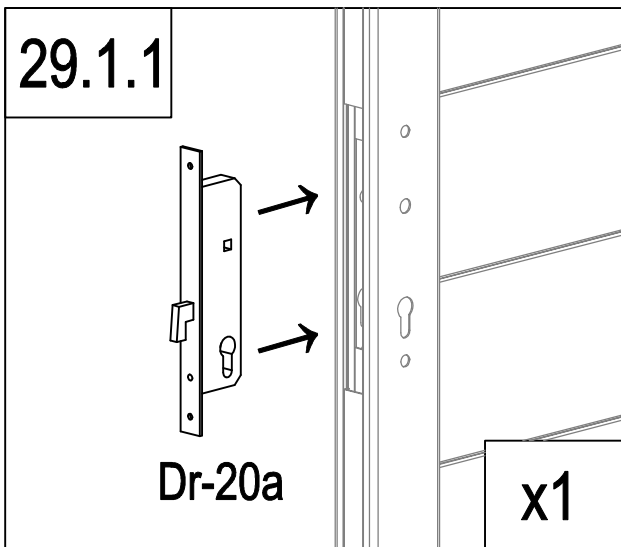
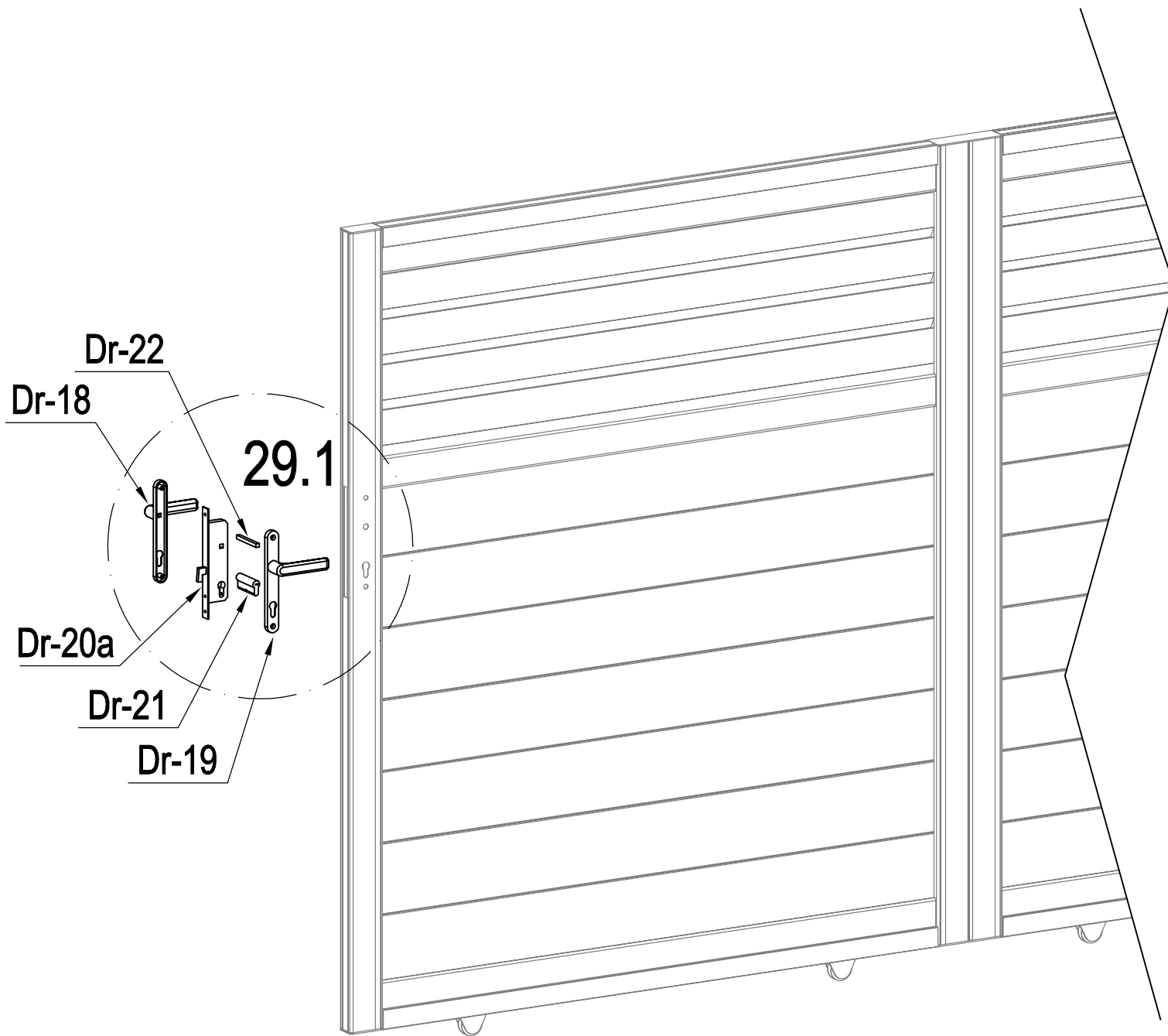


	AT-18	1
	AT-18a	1
	AT-20	4
	SR-M31	3



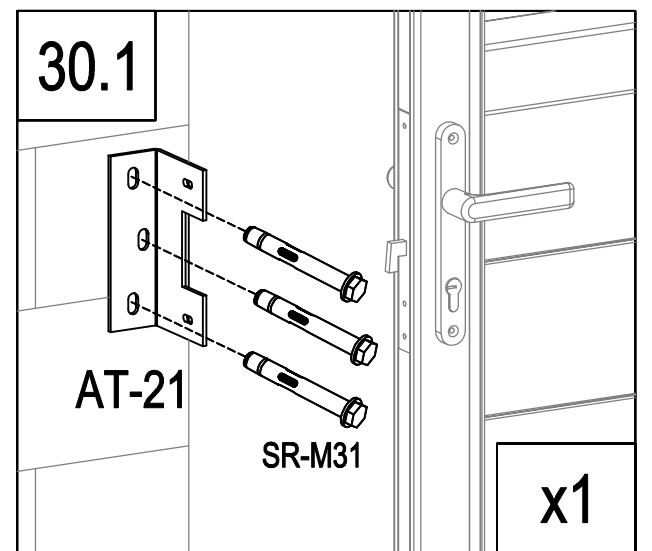
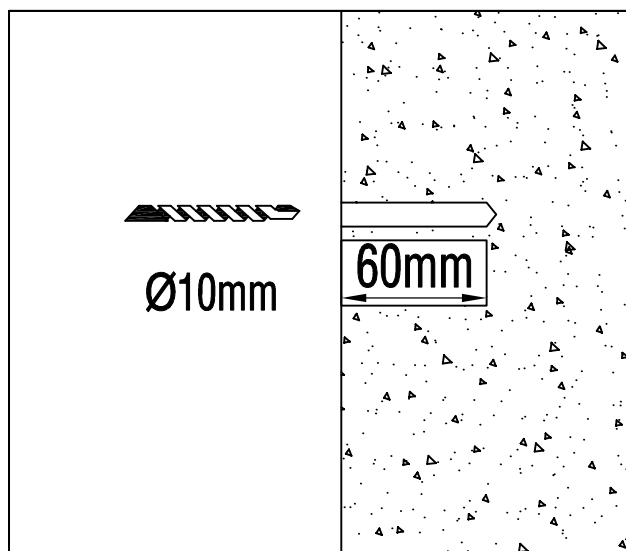
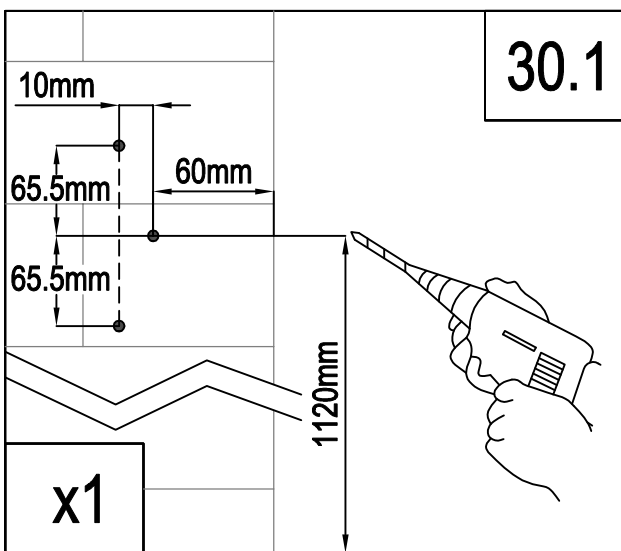
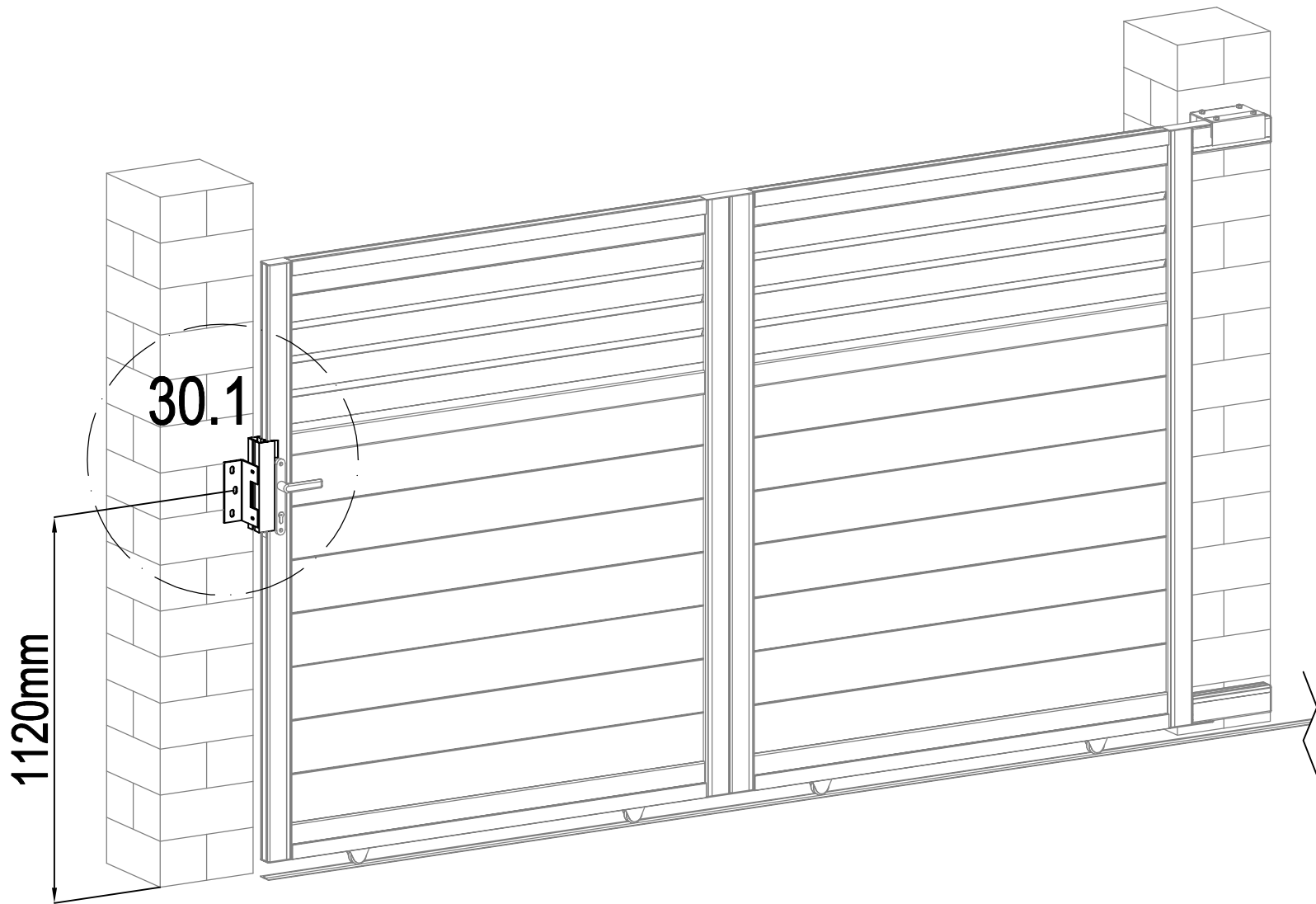
R



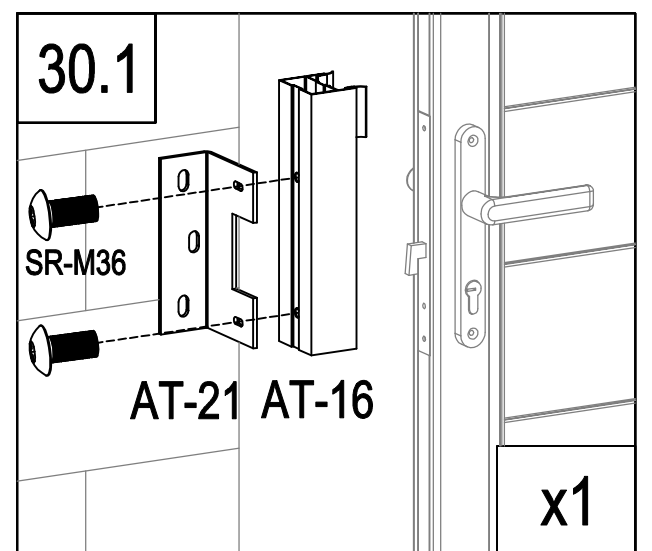


	Dr-20a	1
	Dr-21	1
	Dr-22	1
	Dr-25	1

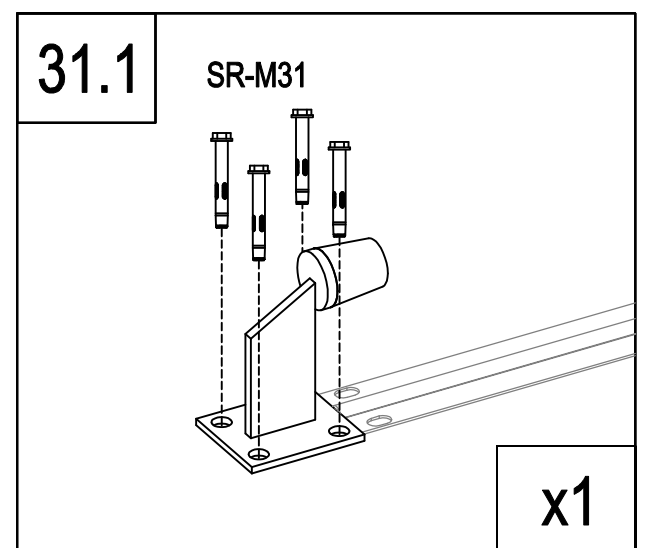
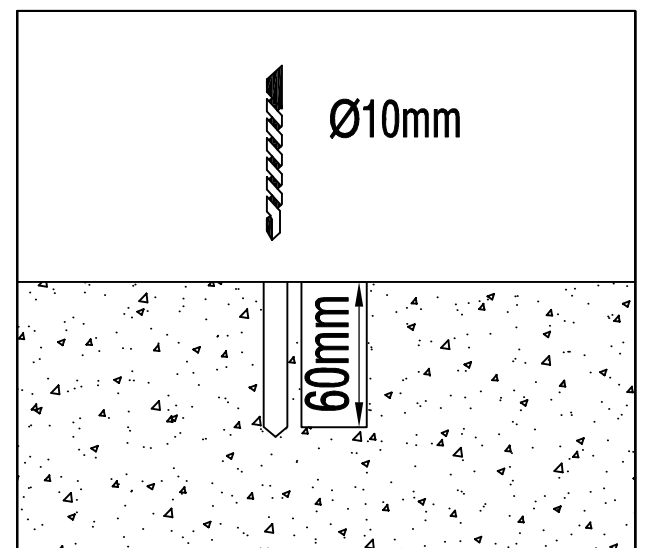
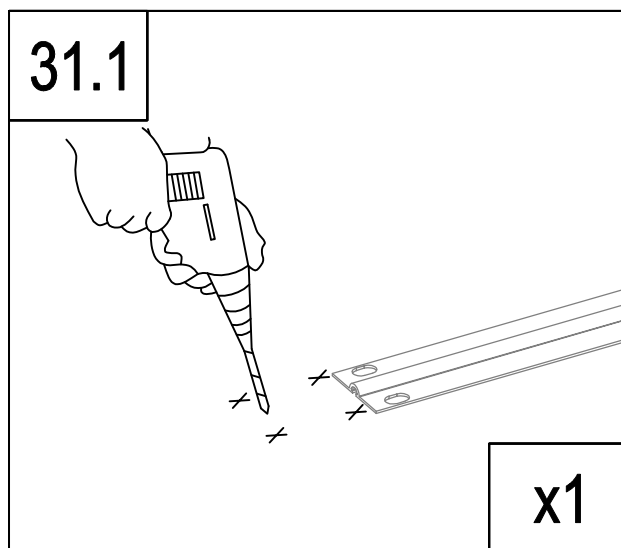
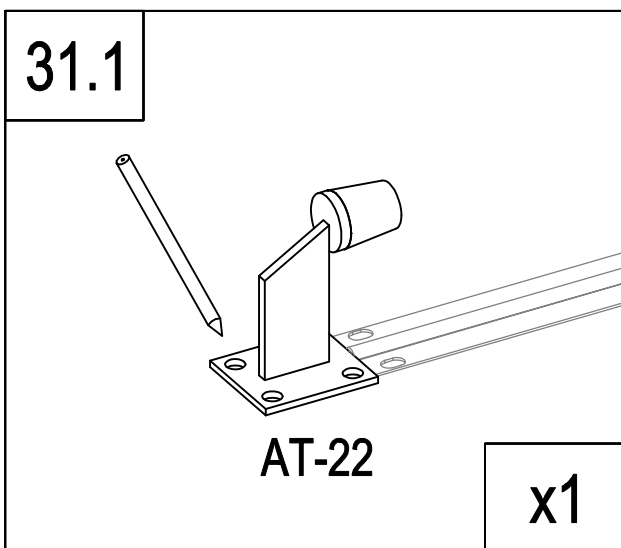
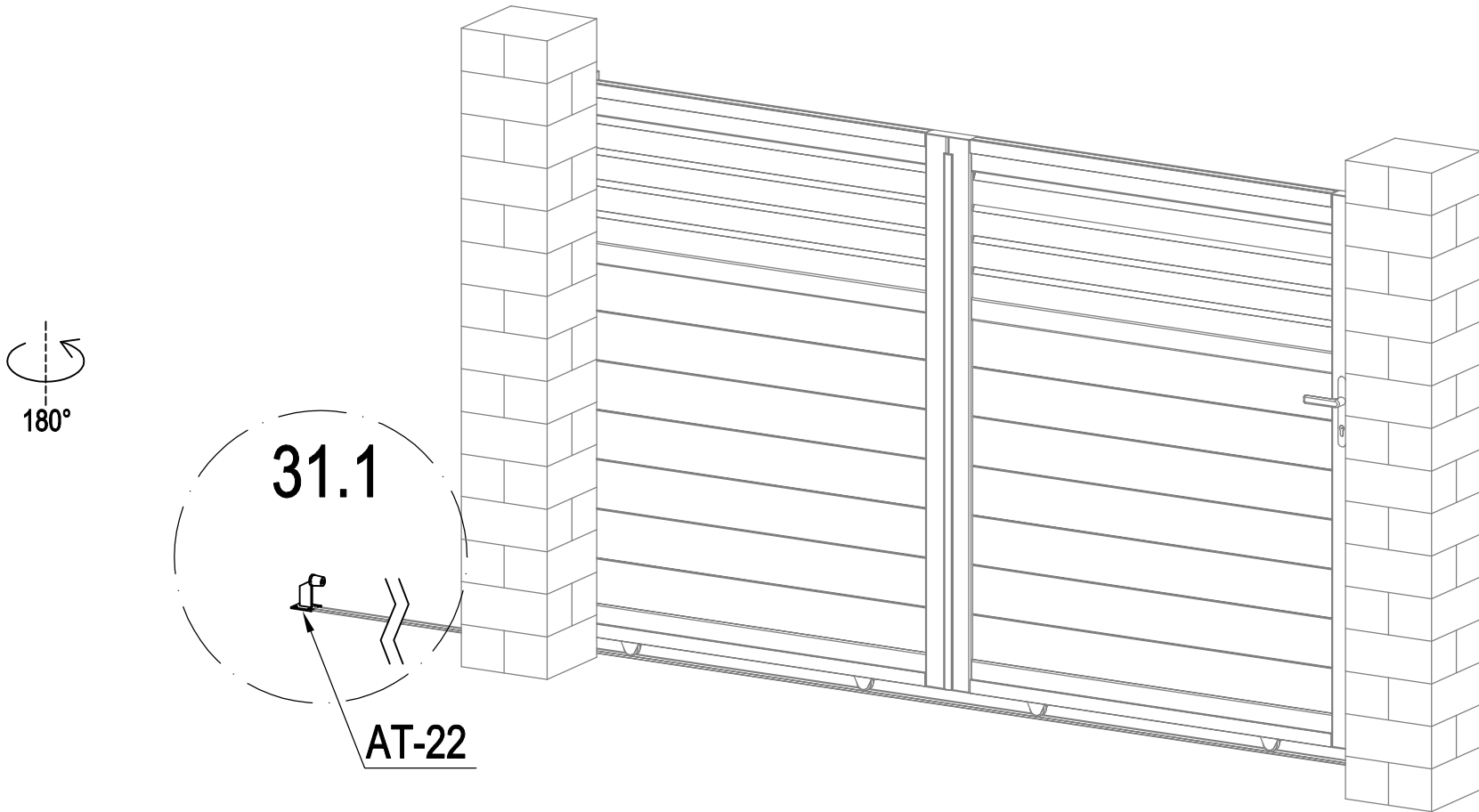
	Dr-18	1
	Dr-19	1
	Dr-25a	2
	Dr-27	2





	AT-16	1
	AT-21	1
	SR-M36	2
	SR-M31	3



R



	AT-22	1
	SR-M31	4