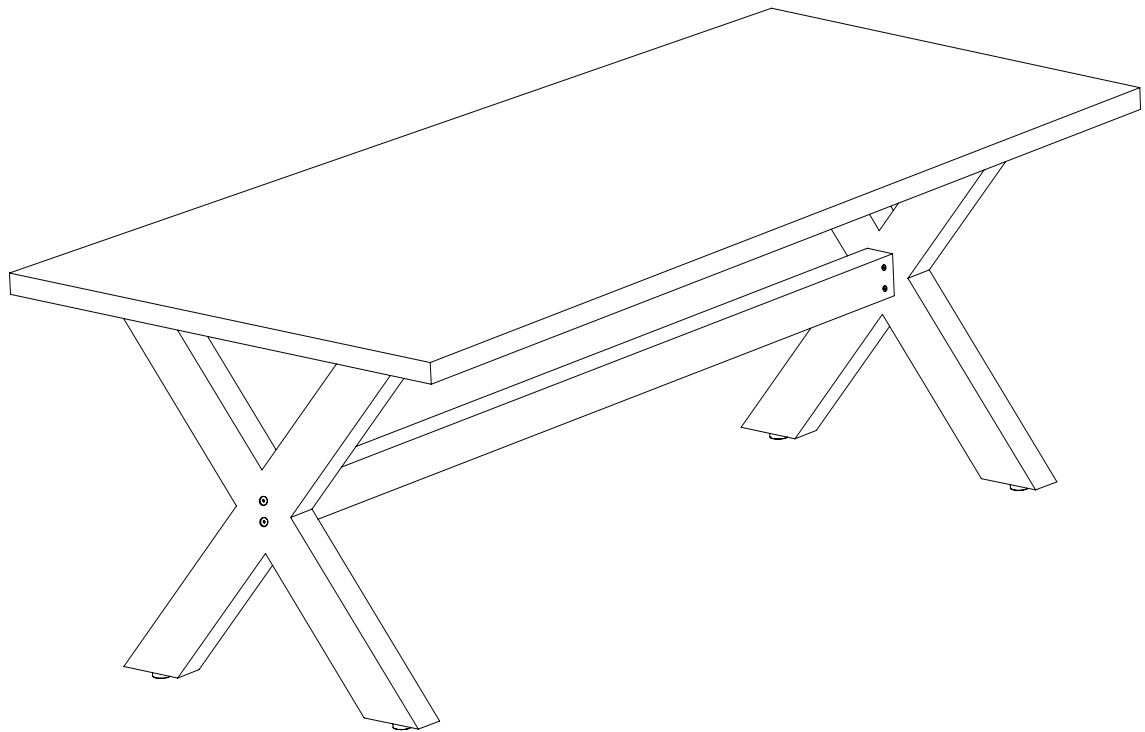


OLBIA



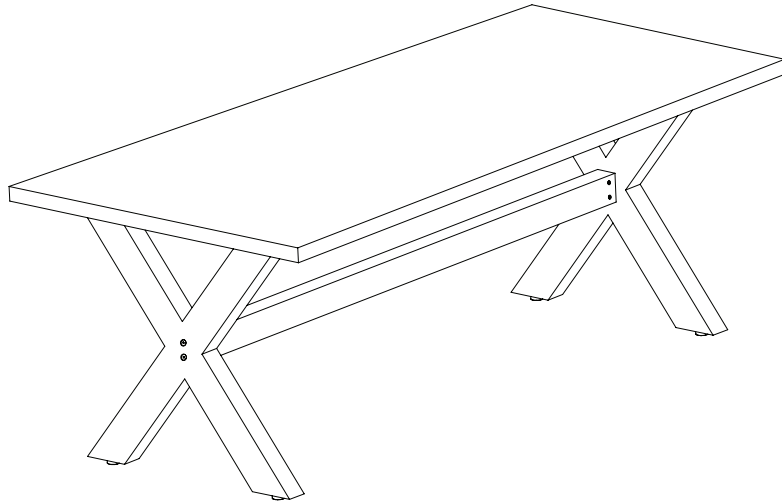
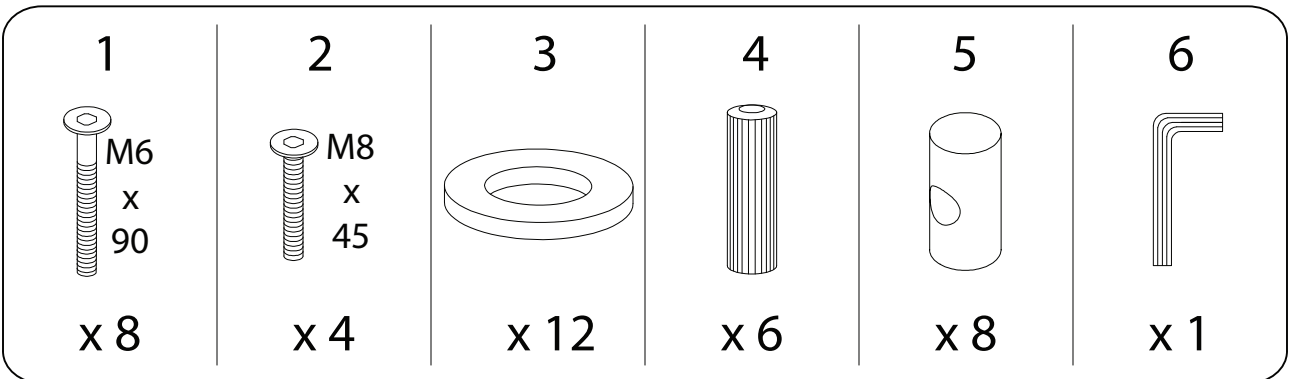
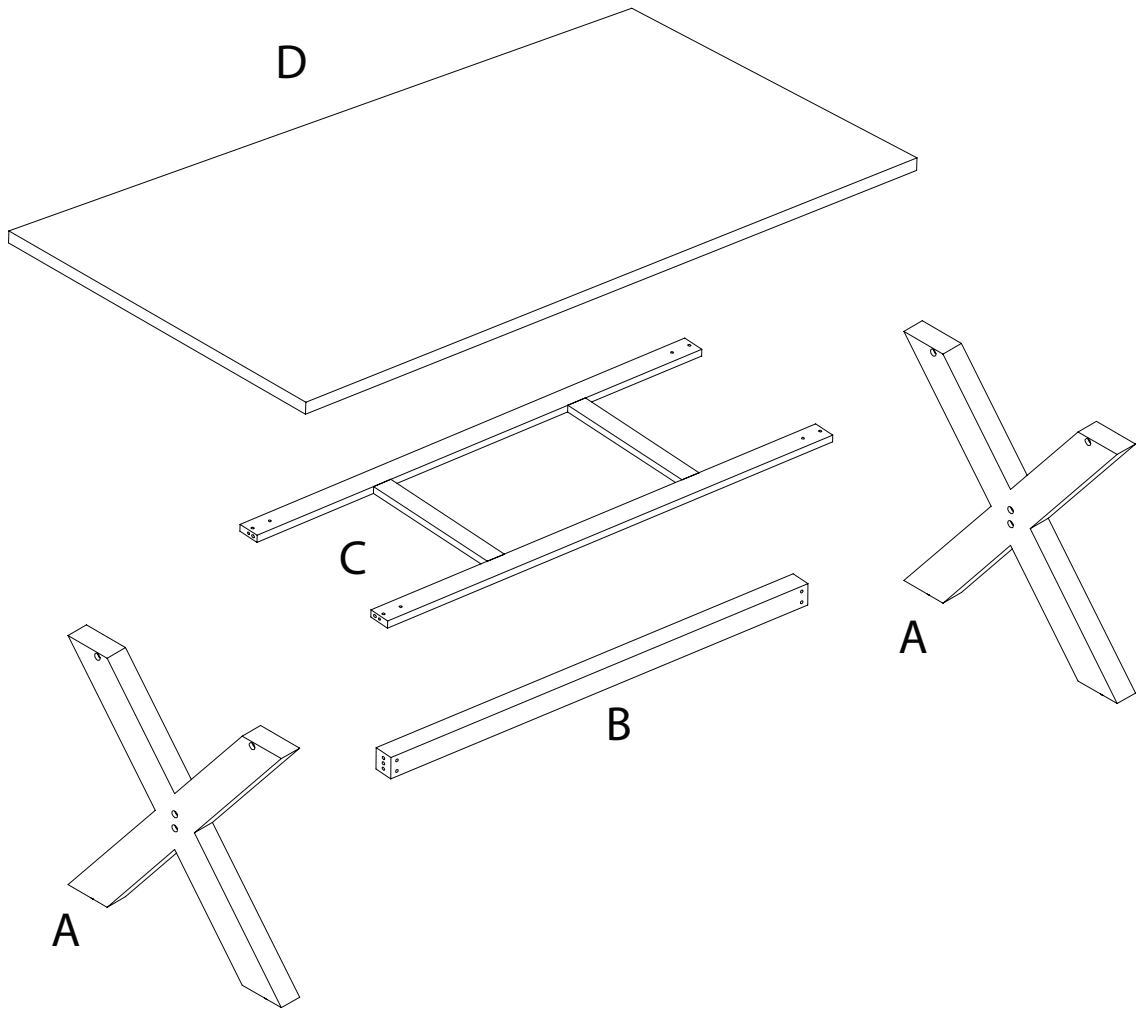
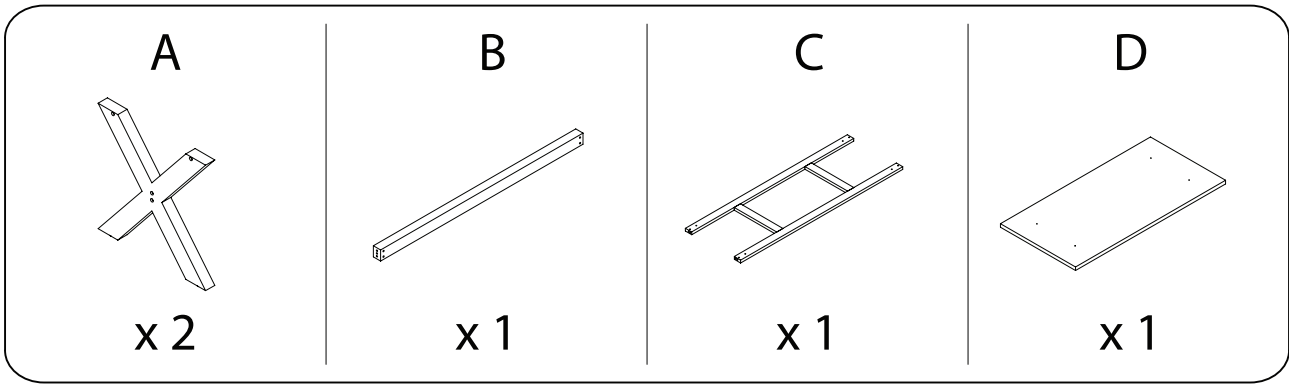
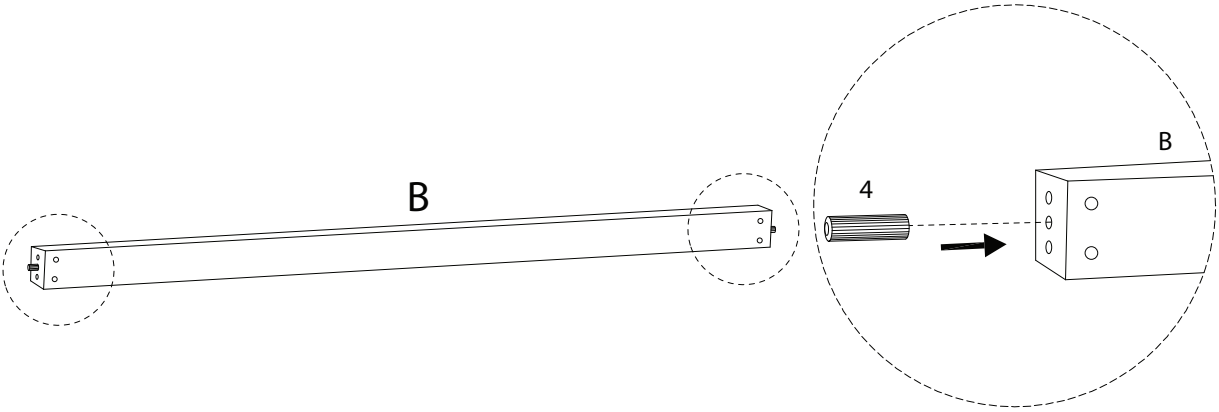
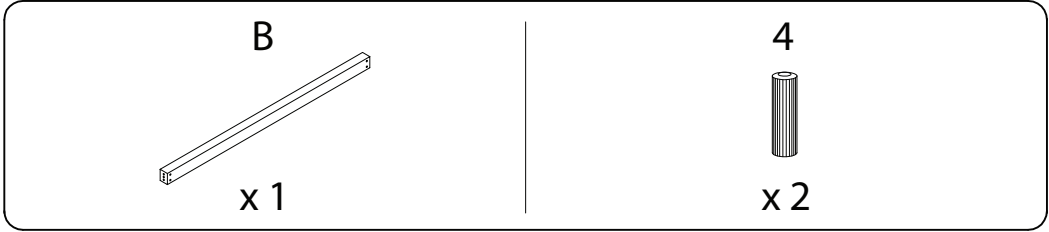


Diagram illustrating assembly steps and safety warnings:

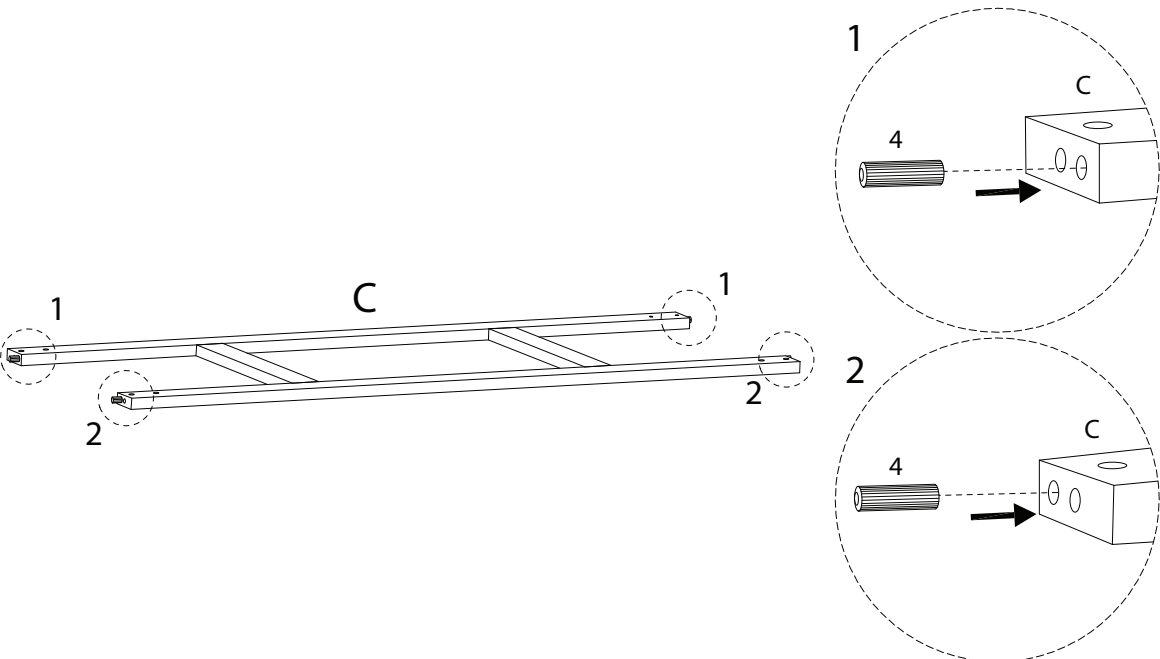
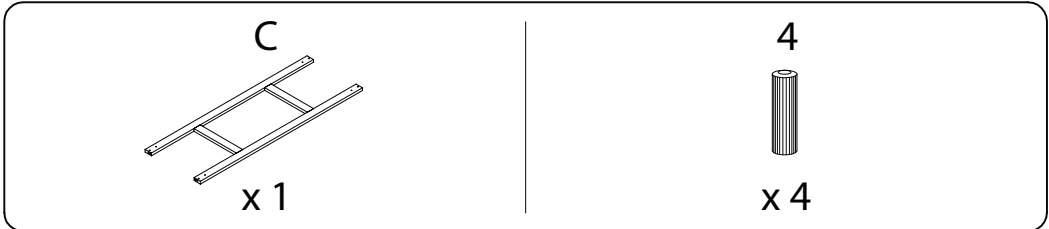
- Warning 1:** A triangle with an exclamation mark. To its left, a circular inset shows an L-shaped metal bracket. Next to it is a power drill with a slash through it, indicating that a power drill should not be used for this step.
- Warning 2:** A triangle with an exclamation mark. To its left, a circular inset shows a rectangular block being placed on a surface with a hatched pattern. Next to it is a diagram of the block with a slash through it, indicating that the block should not be placed on a soft or uneven surface.
- Time:** A clock icon with a circular arrow, indicating a 20-minute duration.
- Personnel:** An icon of a person, indicating that 2 people are required for this step.



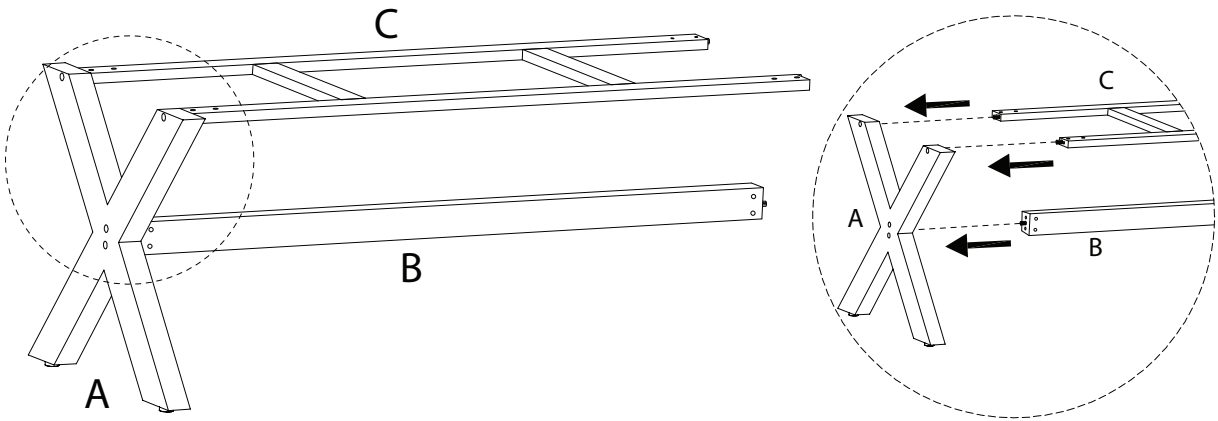
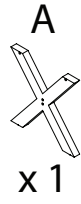
1



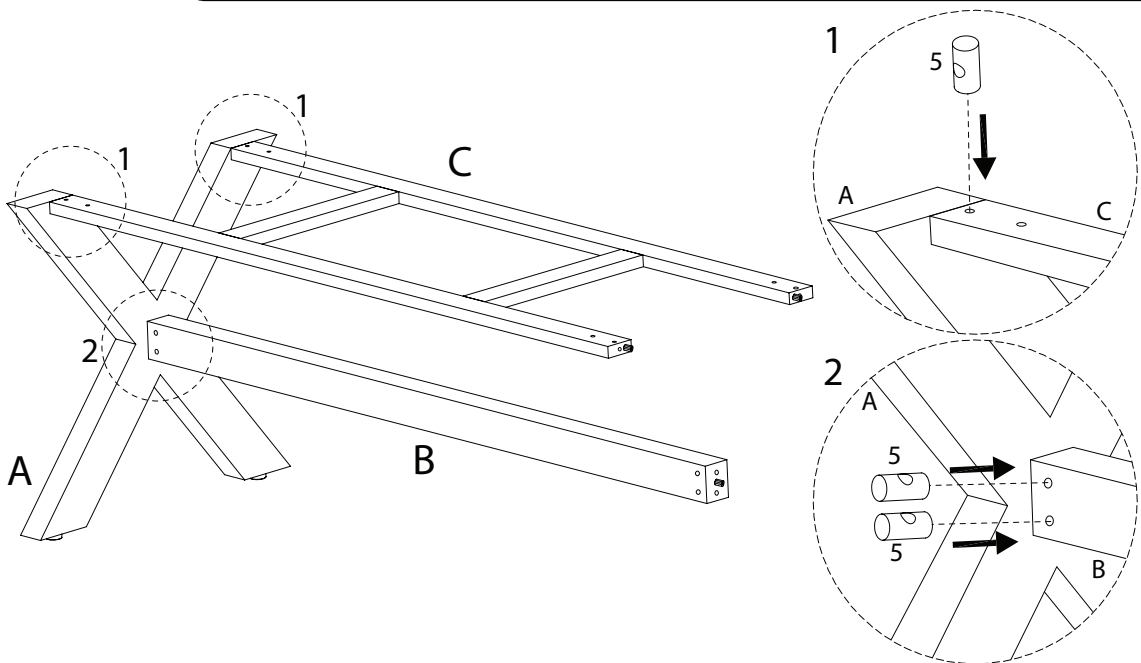
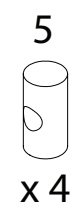
2



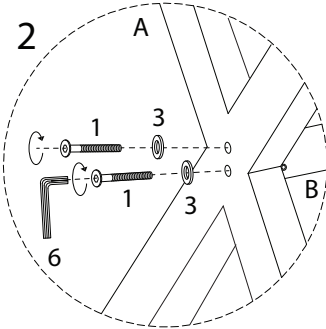
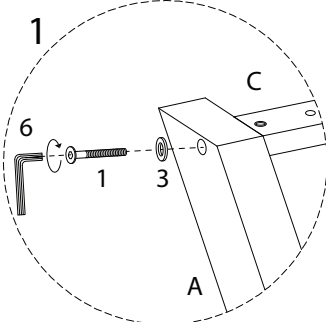
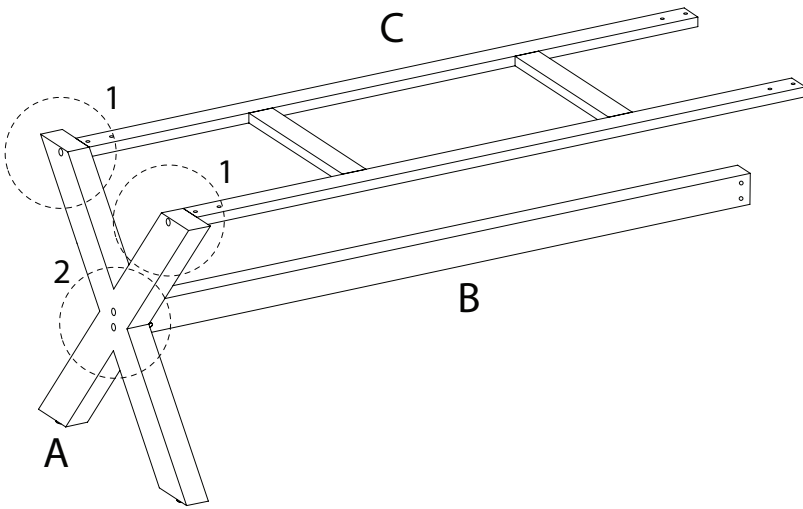
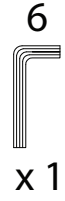
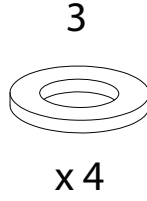
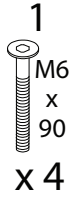
3



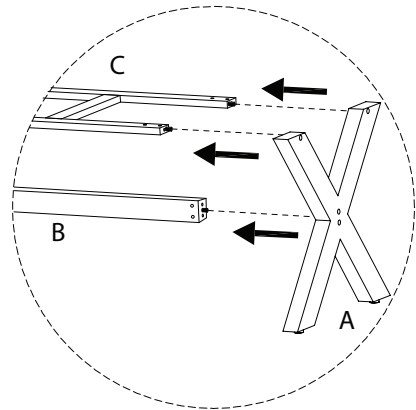
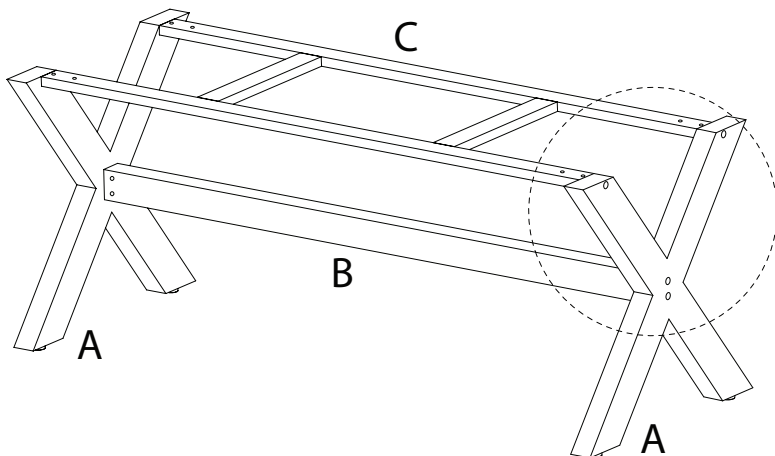
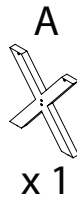
4



5

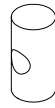


6

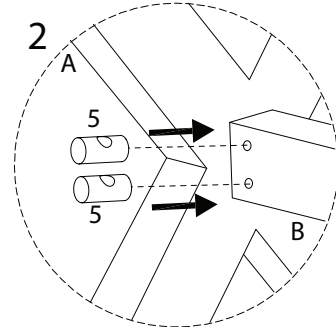
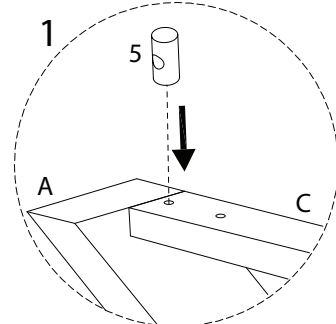
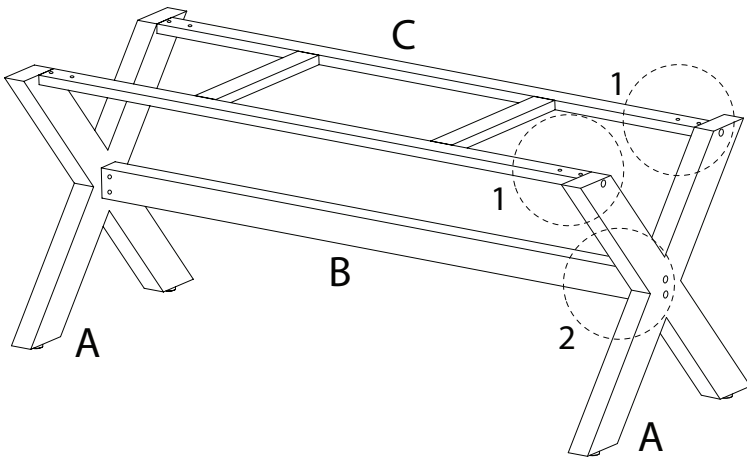


7

5

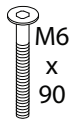


x 4



8

1



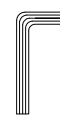
x 4

3

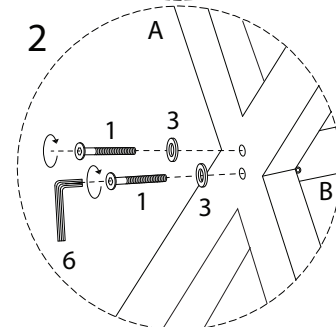
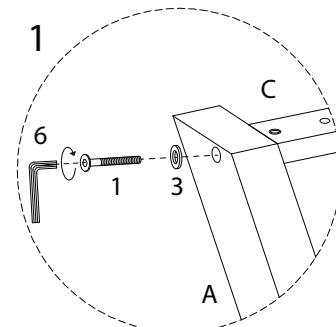
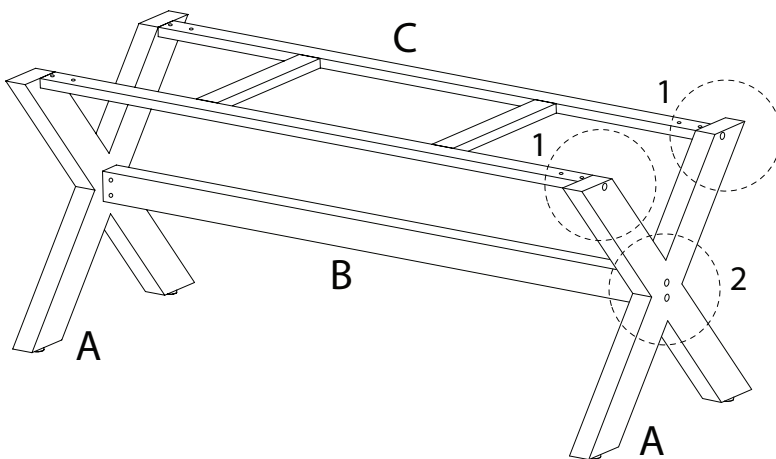


x 4

6



x 1



9

