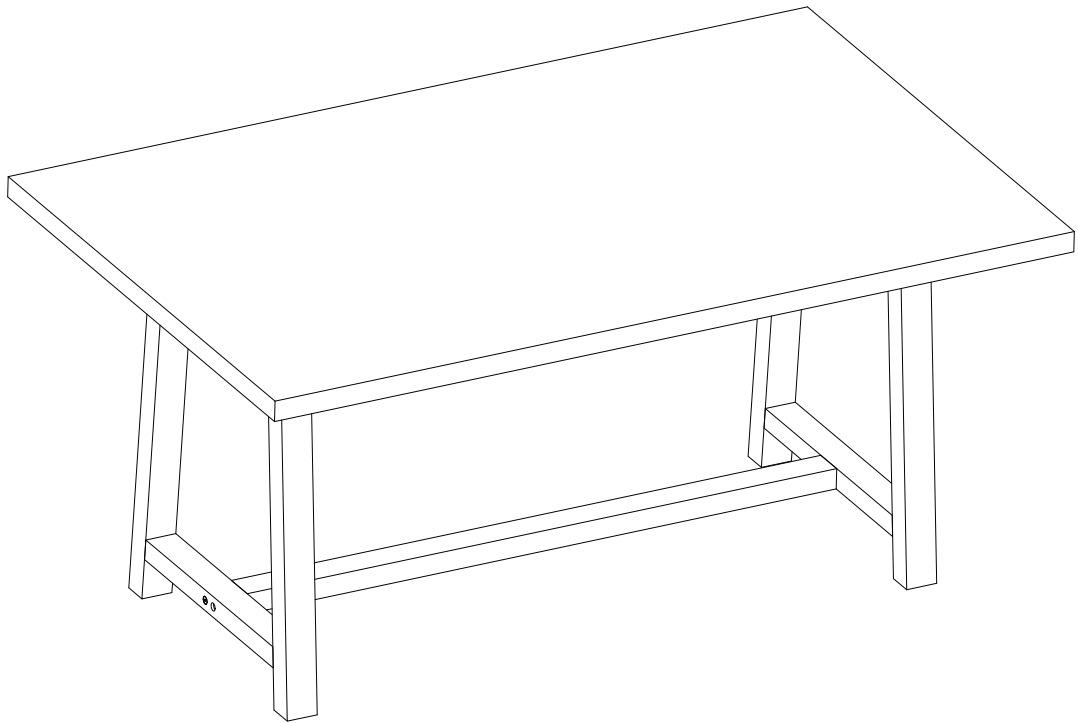
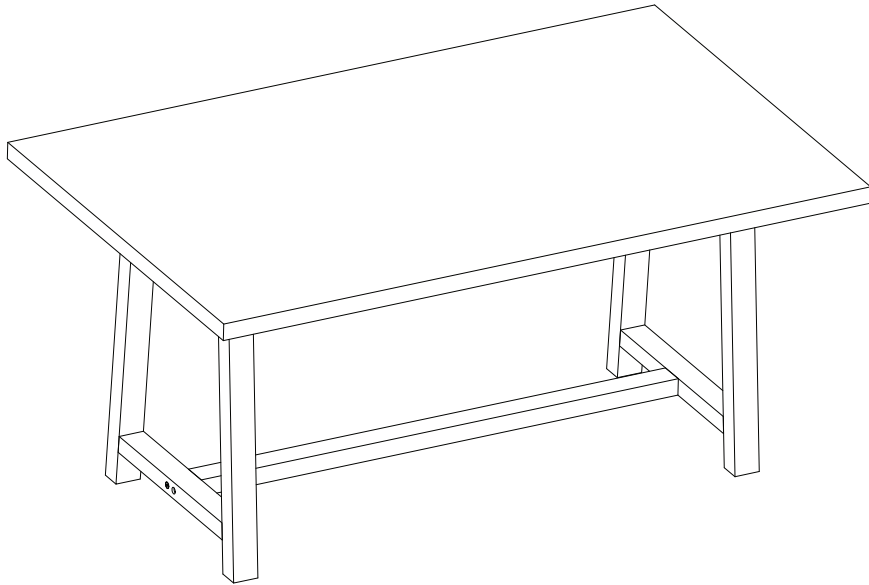


TONNARE





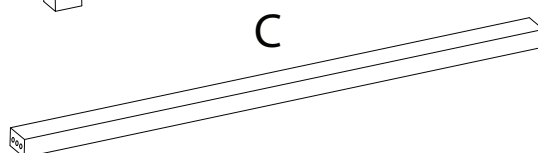
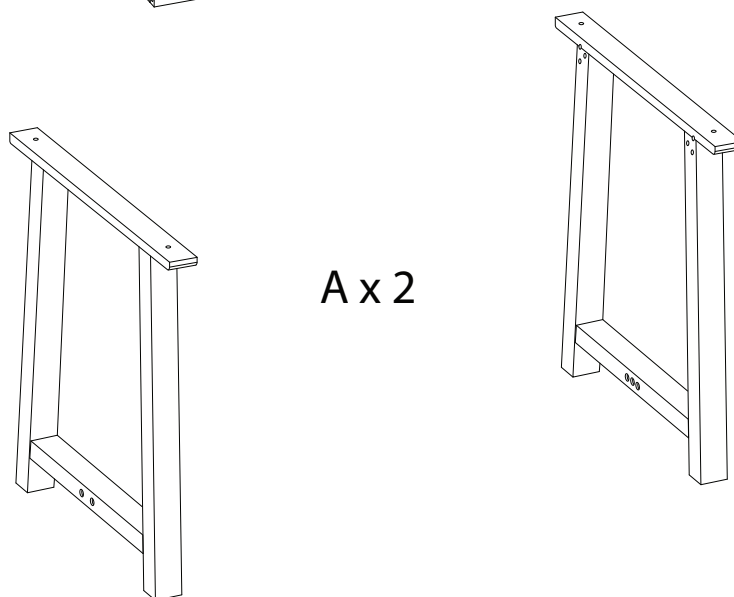
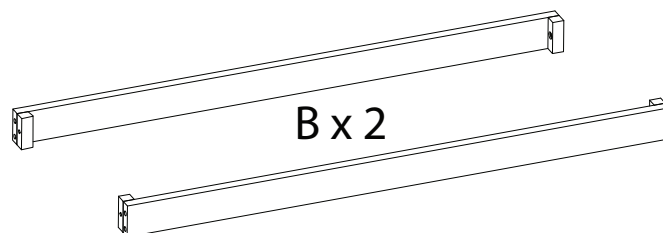
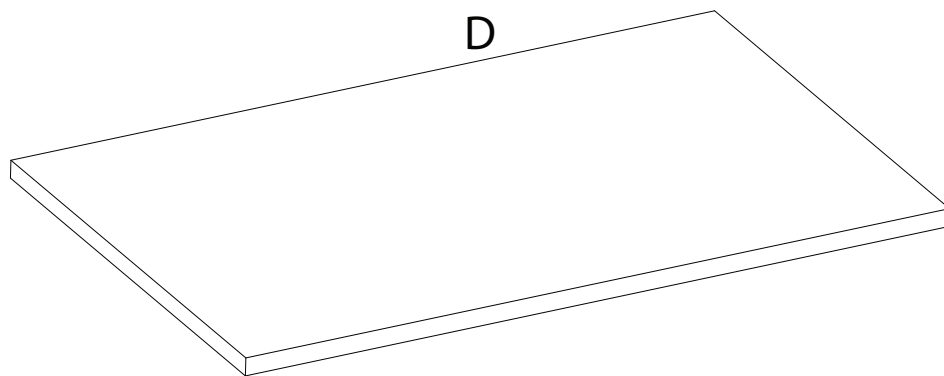
Assembly instructions for the table, including tool requirements, time, and personnel.

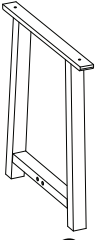
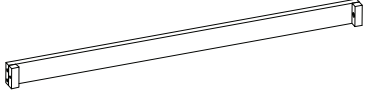
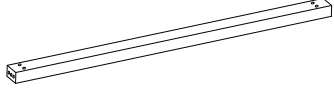
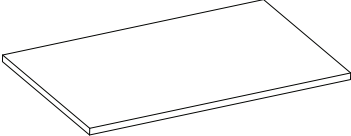
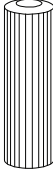
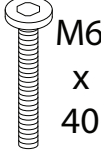
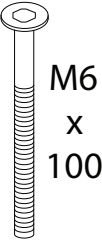
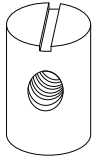
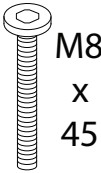
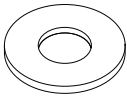
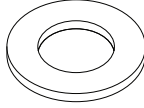
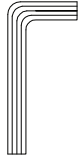
Tools: A circular icon contains a screwdriver and an L-shaped hex key. A power drill is shown with a diagonal line through it, indicating it is not required.

Time: A clock icon with a circular arrow indicates an estimated assembly time of 20 minutes.

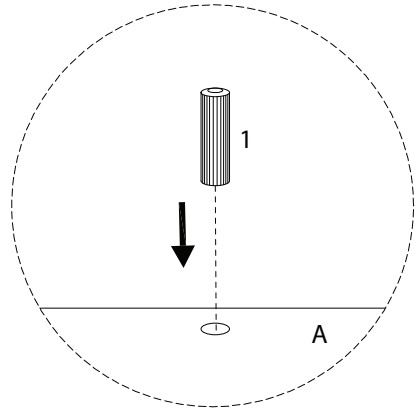
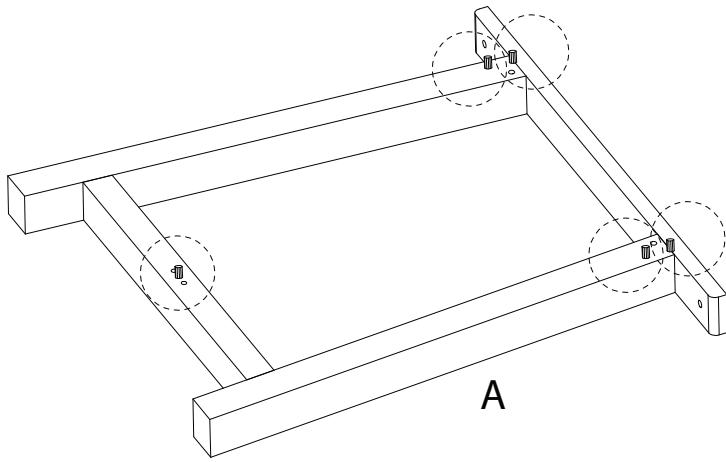
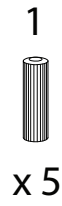
Personnel: A stick figure icon and the number 2 indicate that two people are required for assembly.

Warnings: Two warning triangles (exclamation marks) are present. The first is connected to the tool requirements, and the second is connected to the personnel requirement.

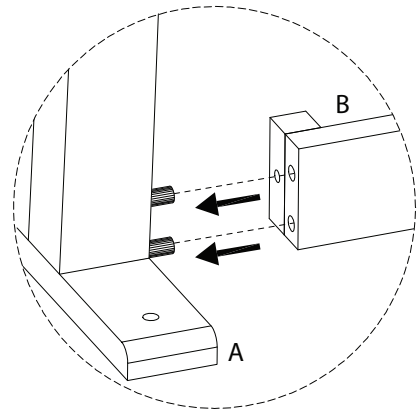
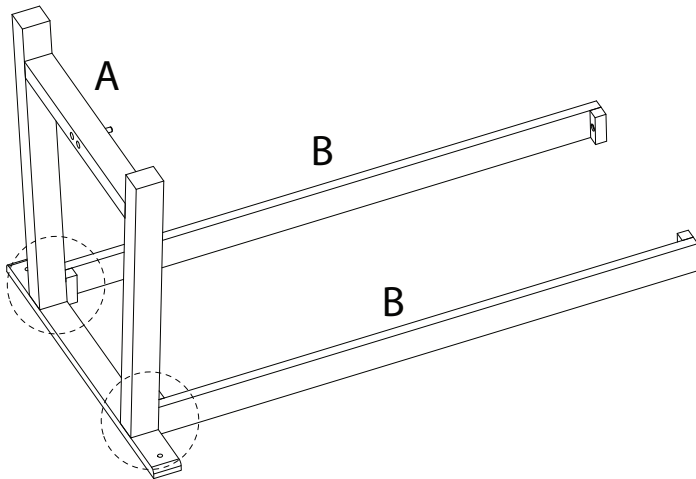
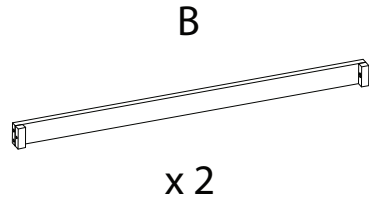


<p>A</p>  <p>x 2</p>	<p>B</p>  <p>x 2</p>	<p>C</p>  <p>x 1</p>
<p>D</p>  <p>x 1</p>	<p>1</p>  <p>x 10</p>	<p>2</p>  <p>M6 x 40</p> <p>x 4</p>
<p>3</p>  <p>M6 x 100</p> <p>x 4</p>	<p>4</p>  <p>x 4</p>	<p>5</p>  <p>M8 x 45</p> <p>x 4</p>
<p>6</p> <p>M6</p>  <p>x 8</p>	<p>7</p> <p>M8</p>  <p>x 4</p>	<p>8</p>  <p>x 1</p>

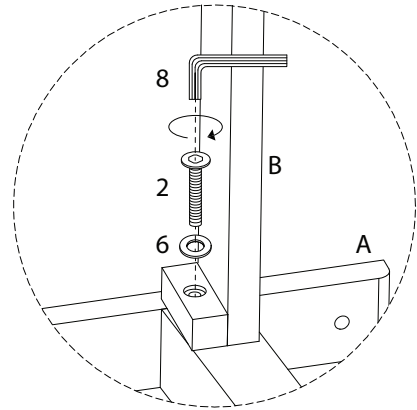
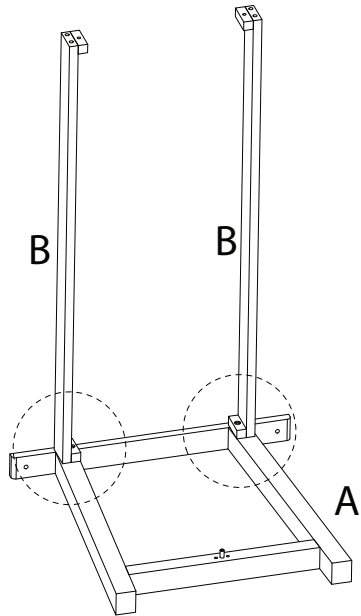
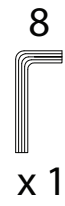
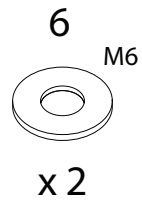
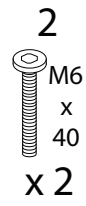
1 x 2



2

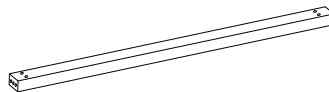


3

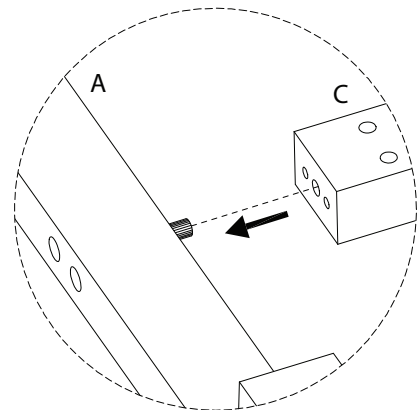
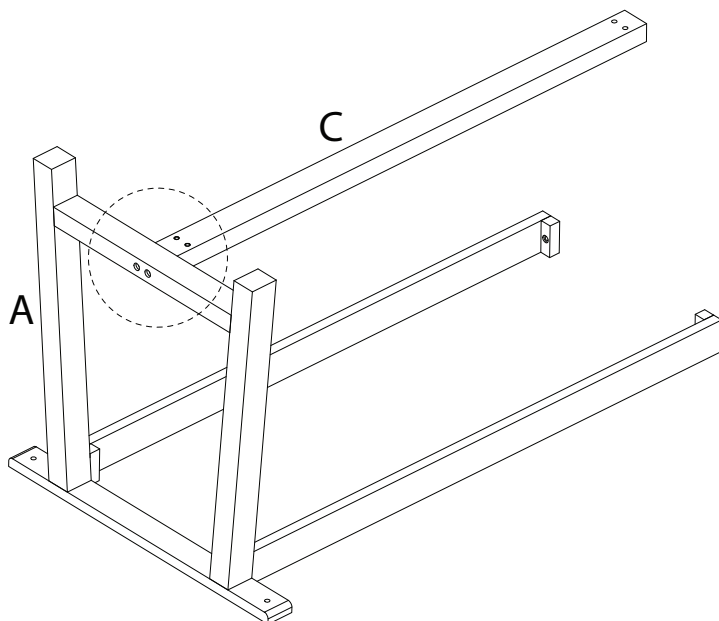


4

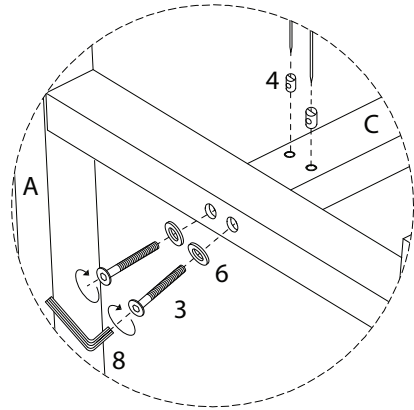
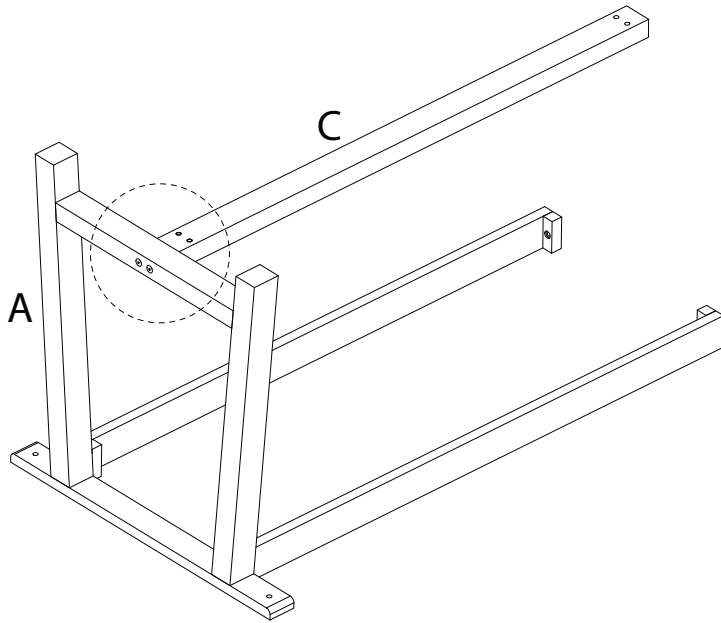
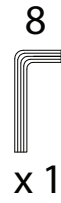
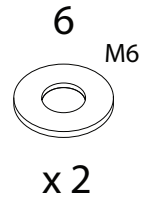
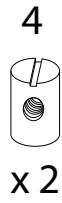
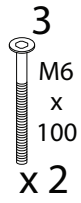
C



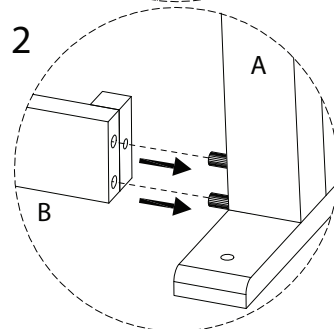
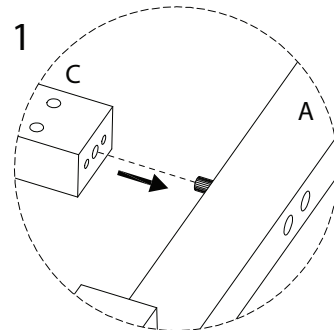
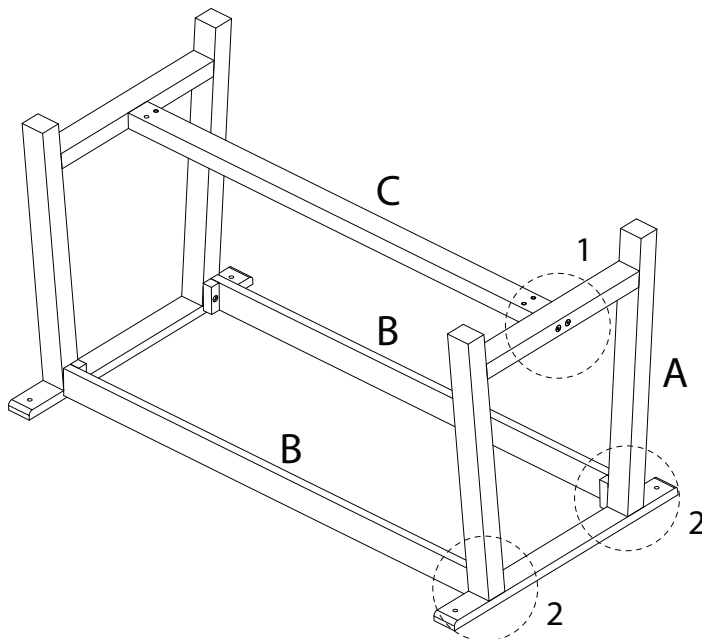
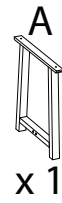
x 1



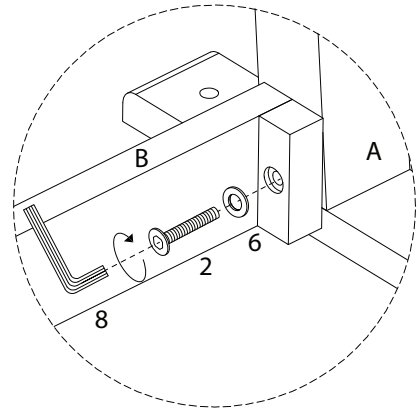
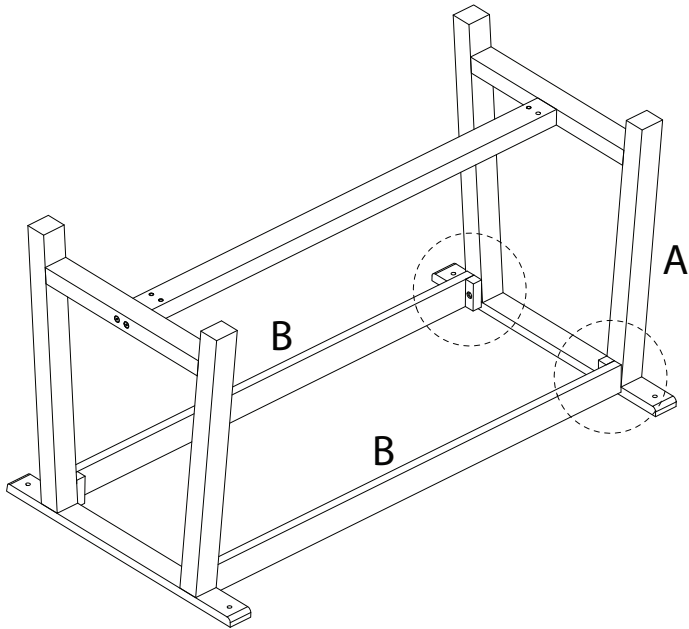
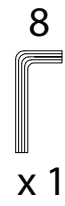
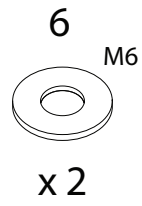
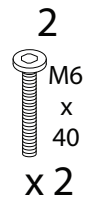
5



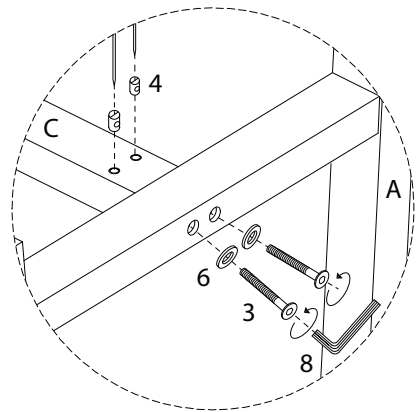
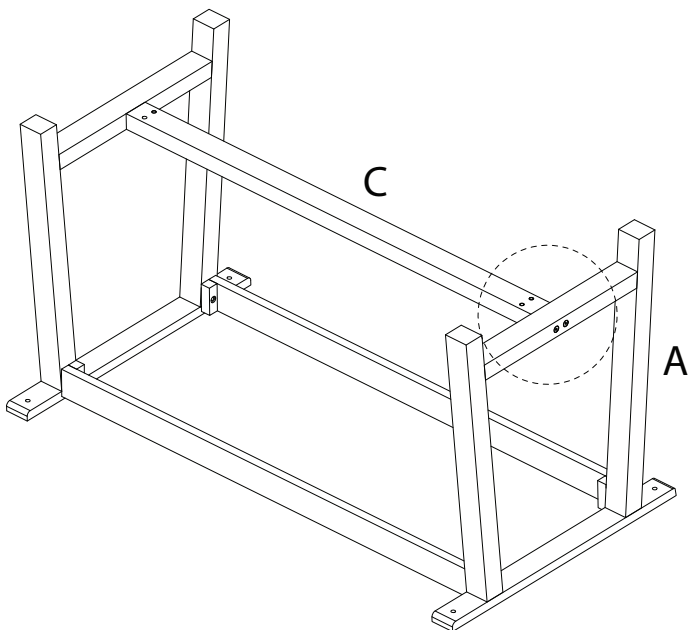
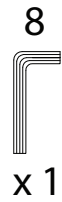
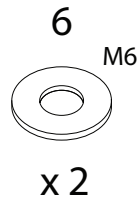
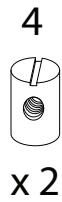
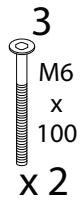
6



7



8



9

