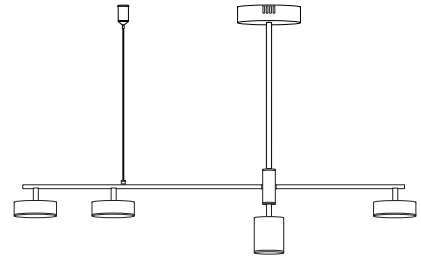
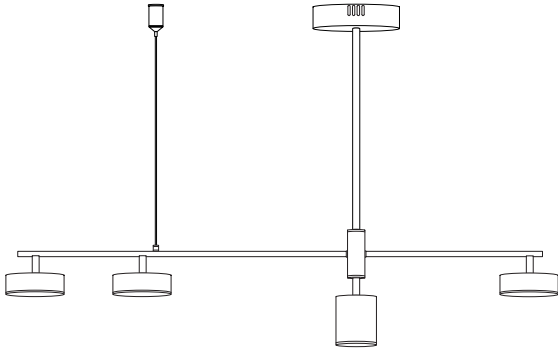


# FOYLE

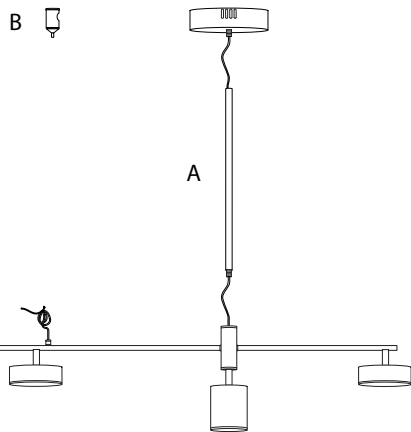


15'

1

1/6

1394/FOYLE020323/



1

A  
x 1

1

2

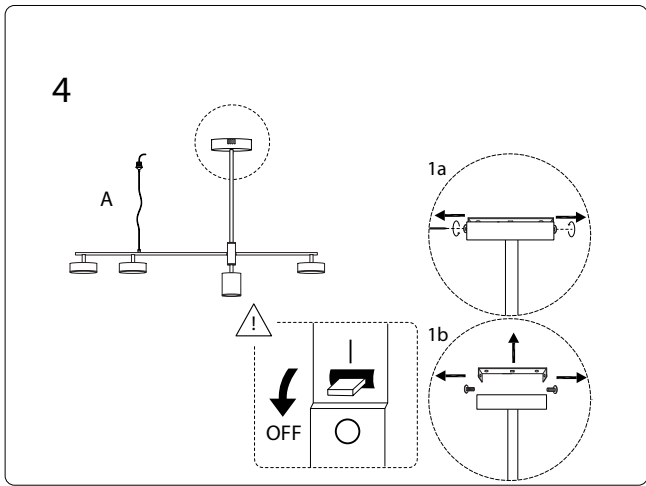
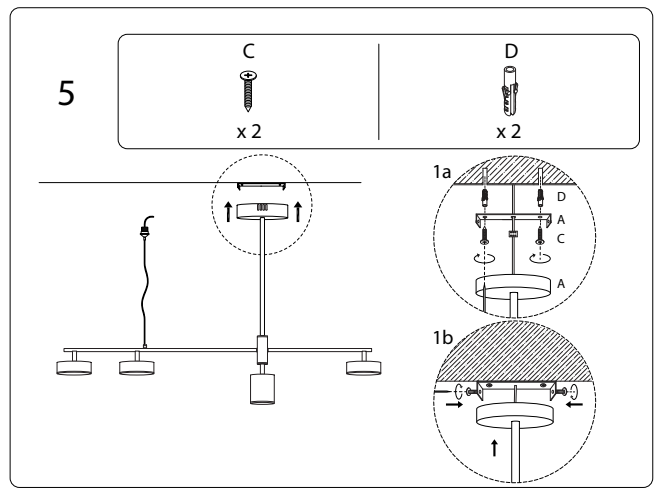
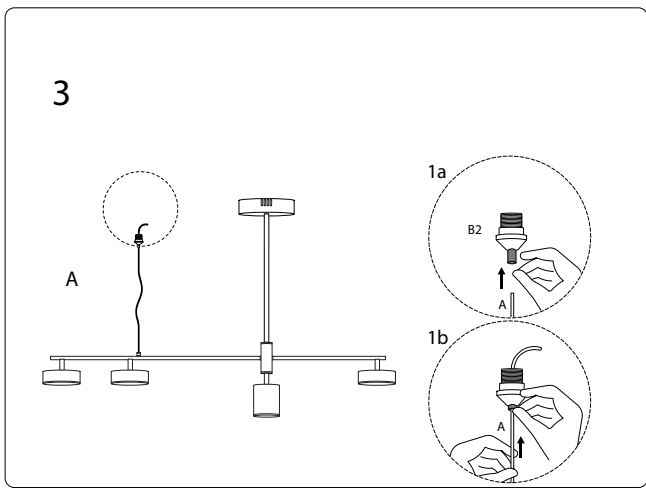
2

B  
x 1

B1 ↑

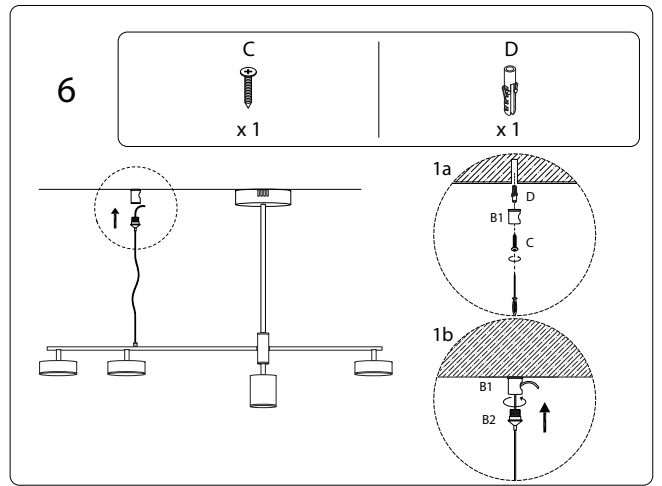
B2 ↓

<b>A</b>	<b>B</b>	<b>C</b>	<b>D</b>	<b>E</b>
x 1	x 1	x 3	x 3	x 1



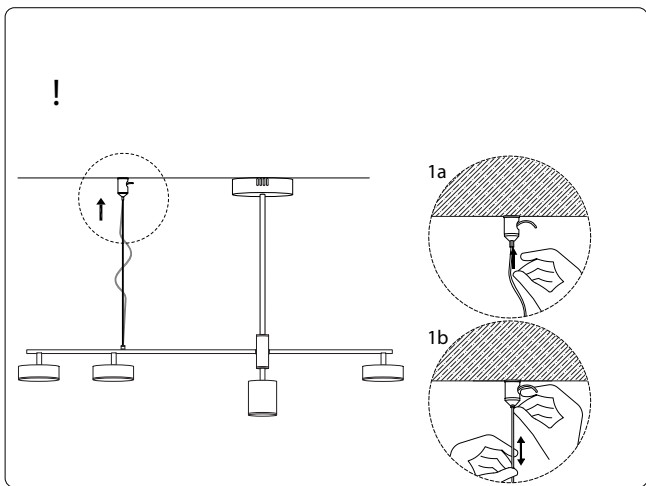
4/6

1394/FOYLE020323/



5/6

1394/FOYLE020323/



6/6

1394/FOYLE020323/