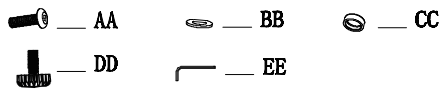
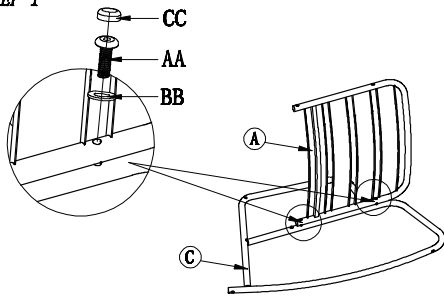


# ASSEMBLY INSTRUCTION

NO.	SKETCH	QTY
AA		8
BB		8
CC		8
DD		2
EE		1

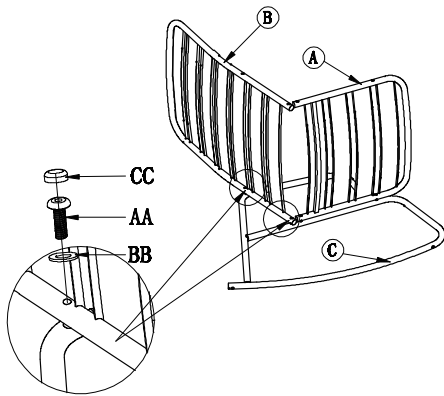


## STEP 1

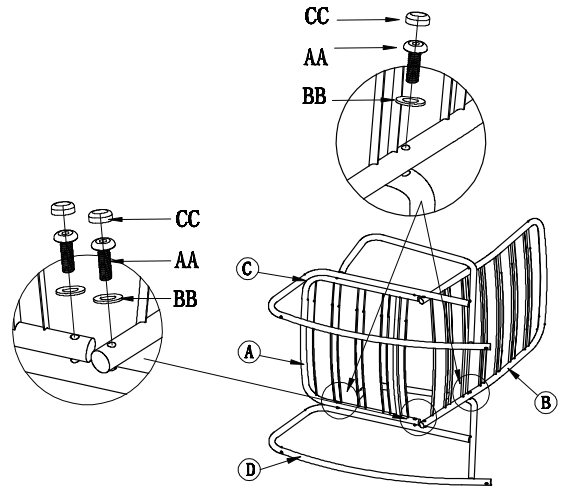


NO.	SKETCH	QTY
A		1
B		1
C		1
D		1
E		1

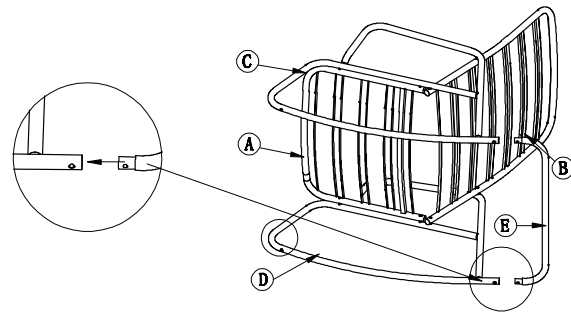
## STEP 2



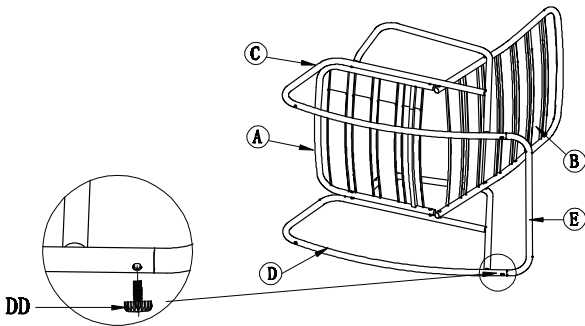
## STEP 3



## STEP 4



## STEP 5



## STEP 6

