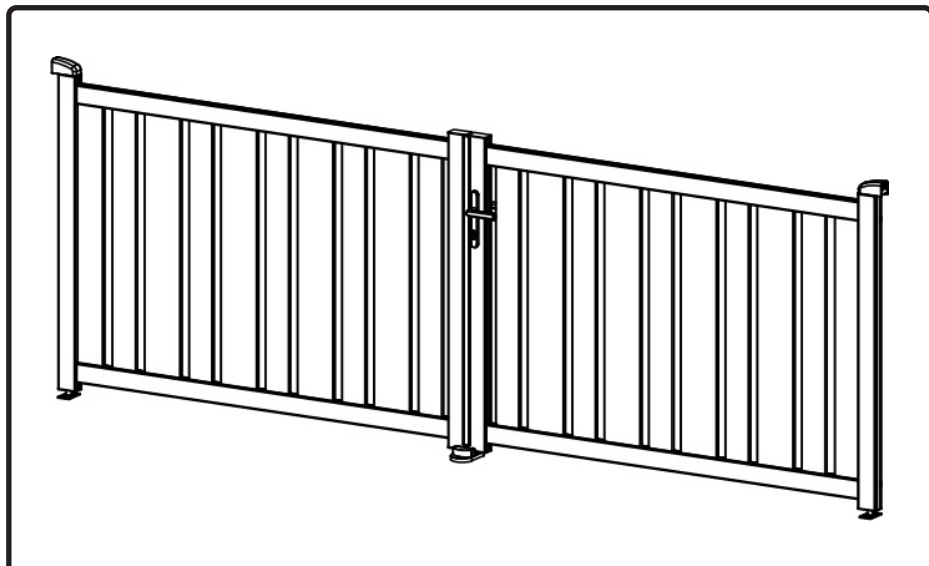


CASANOVO

VEYMONT 350B120



COM-000829 [x1]

COM-000827 [x1]



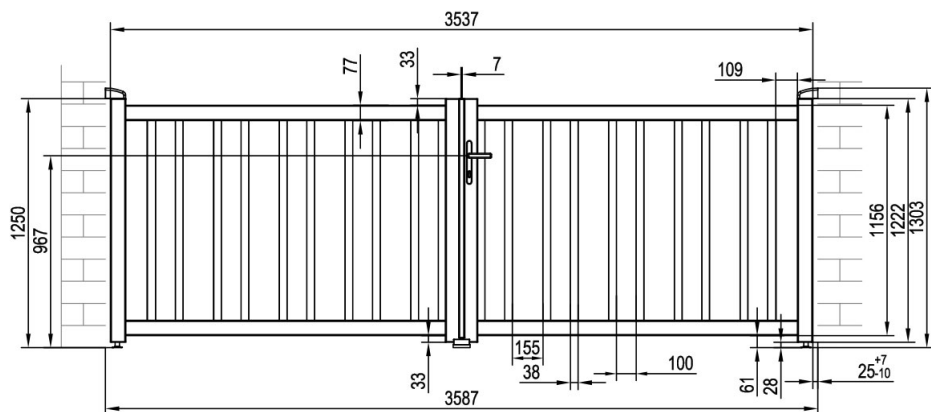
5-7H

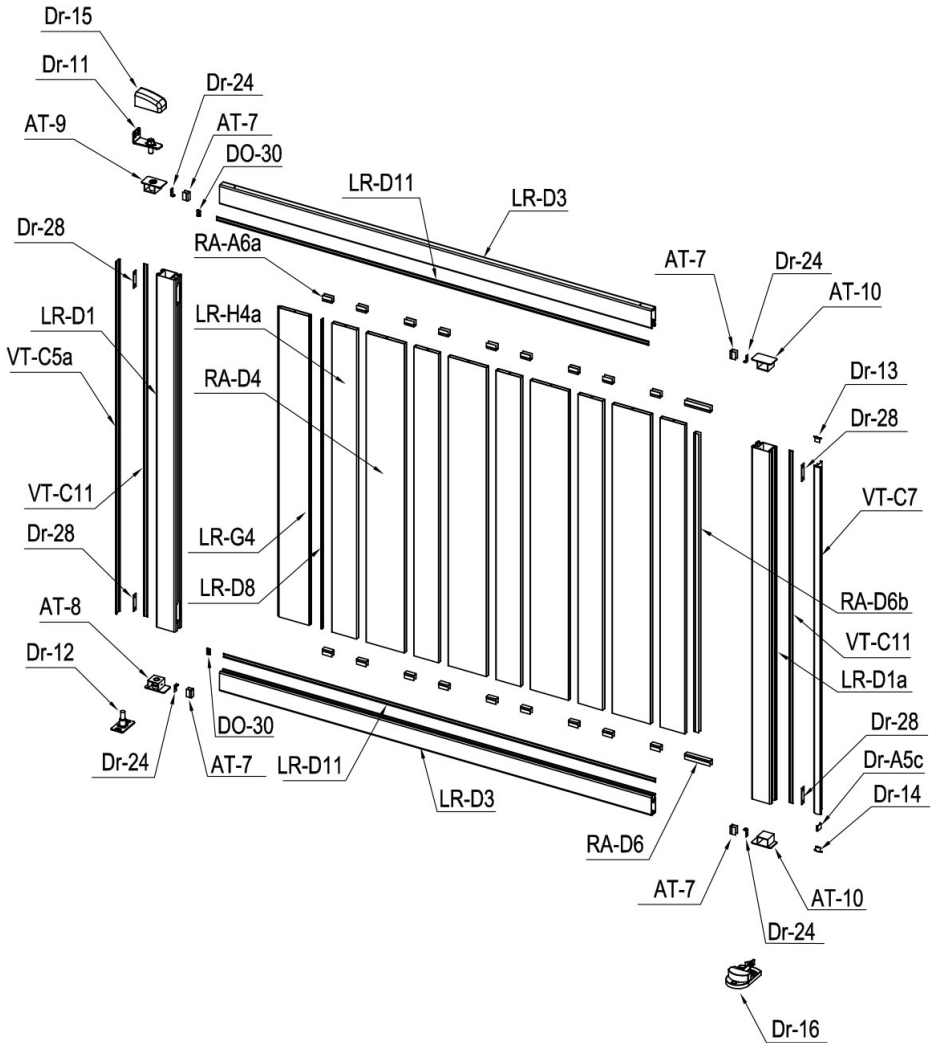


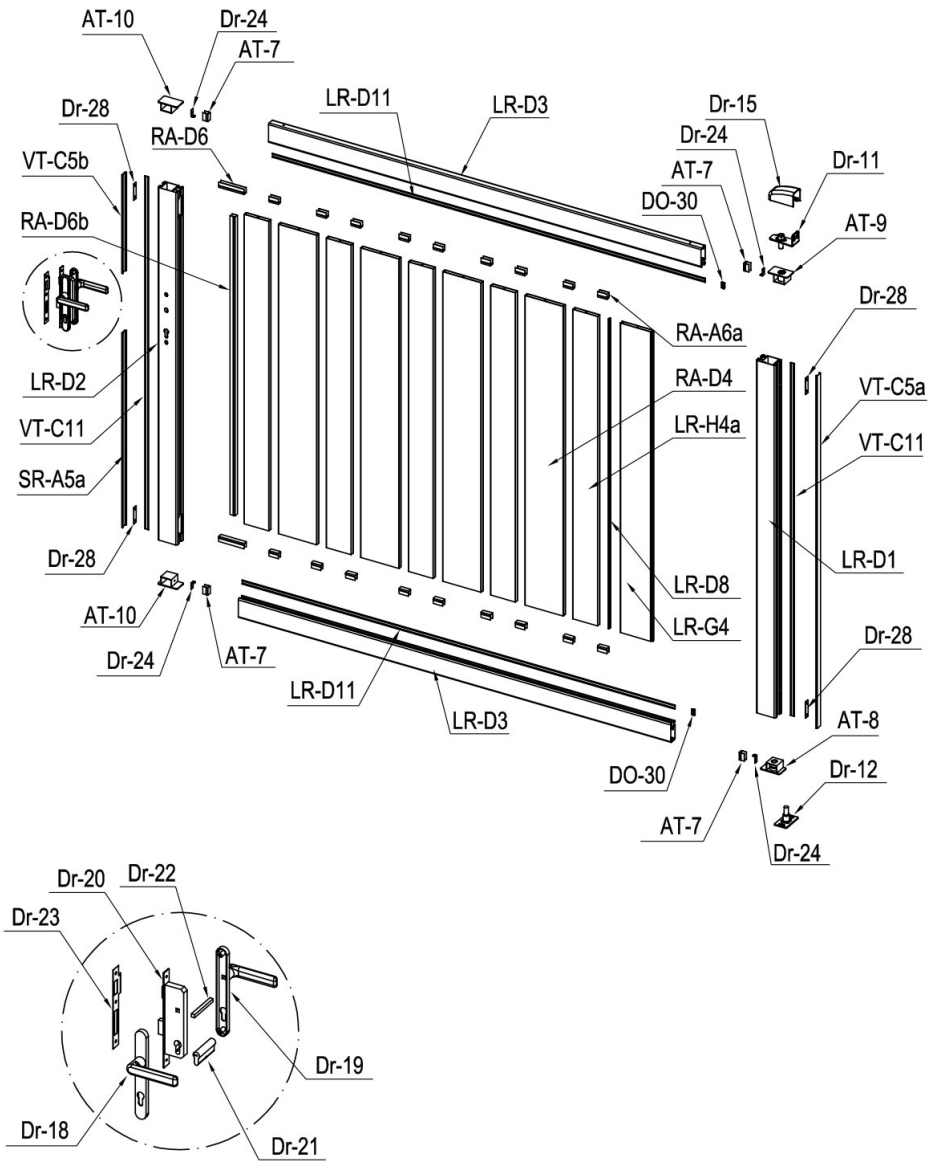
X 2



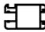



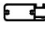

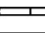

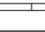

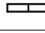











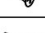




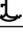










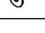
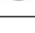
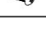
INSTRUCTION MANUAL / NOTICE DE MONTAGE / MONTAGEANLEITUNG / MANUAL DE MONTAJE / MANUAL DE MONTAGEM / MANUALE DI MONTAGGIO /
MONTAGEHANDLEIDING / INSTRUKCJA MONTAŻU / KÄYTTÖOHJEET / BRUKSANVISNING / BRUGSANVISNING / INSTRUCIUNI DE ASAMBLARE /
NAVODILA ZA SESTAVLJANJE / NÁVOD NA MONTÁŽ / ÖSSZESZERELÉSI ÚTMUTATÓ / NÁVOD K MONTÁŽI / UPUTE ZA INSTALACIJU /
ΟΔΗΓΙΕΣ ΣΥΝΑΡΜΟΛΟΓΗΣΗΣ / SURINKIMO INSTRUKCIJOS / MONTĀŽAS INSTRUKCIJAS

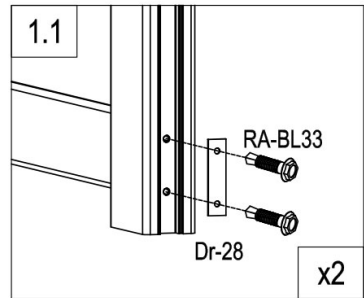
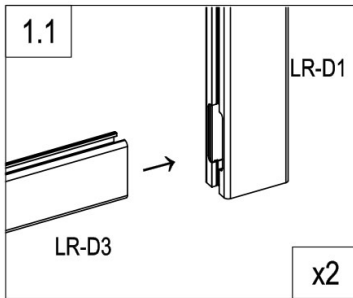
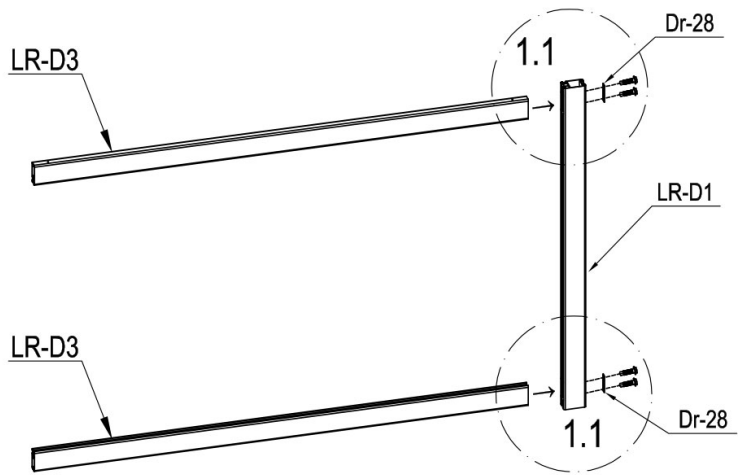


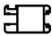





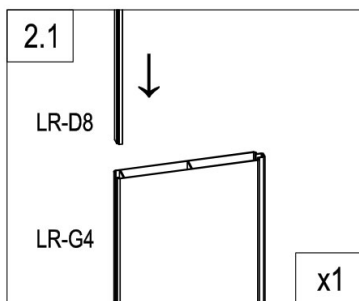
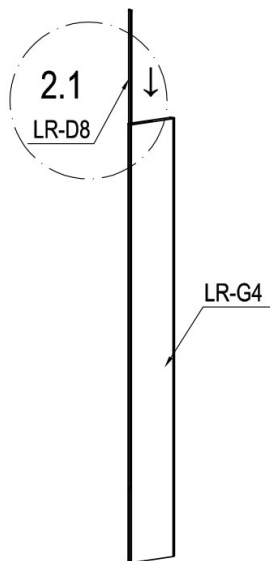




PART LIST

IMAGE	NO.	L.(mm)	QTY	IMAGE	NO.	L.(mm)	QTY
	LR-D1	1217	2		Dr-14		1
	LR-D1a	1217	1		Dr-15		2
	LR-D2	1217	1		Dr-16		1
	LR-D3	1742	4		Dr-17		2
	LR-G4	1044	2		Dr-31		4
	RA-D4	1044	8		DO-30		4
	LR-H4a	1044	10		Dr-18		1
	VT-C5a	1217	2		Dr-19		1
	VT-C5b	194.5	1		Dr-20		1
	SR-A5a	782	1		Dr-21		1
	Dr-A5c	19.5	1		Dr-22		1
	VT-C11	1217	4		Dr-23		1
	LR-D11	1742	4		Dr-25	M5x45	1
	AT-7	29.5	8		Dr-25a	M5x60	2
	RA-A6a	38	36		Dr-26	ST4x12	3
	RA-D6b	1001	2		Dr-27	ST4.2x25	2
	RA-D6	102	4		Dr-24		8
	LR-D8	1044	4		Dr-28		8
	VT-C7	1197	1		RA-BL30	ST4x10	8
	AT-8		2		RA-BL31	ST4.2x13	64
	AT-9		2		RA-BL32	M8x60	12
	AT-10		4		RA-BL33	ST5.5x38	16
	Dr-11		2		RA-BL34	ST6x40	3
	Dr-12		2		RA-BL35	Ø6	3
	Dr-13		1		RA-BL36	ST4.8x38	8

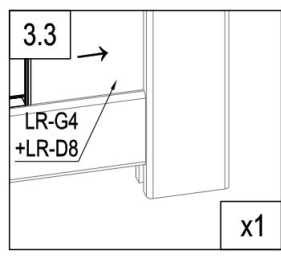
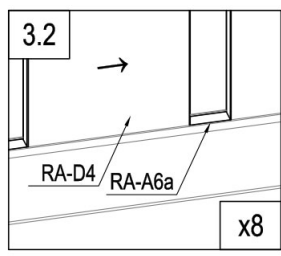
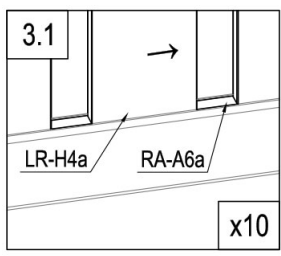
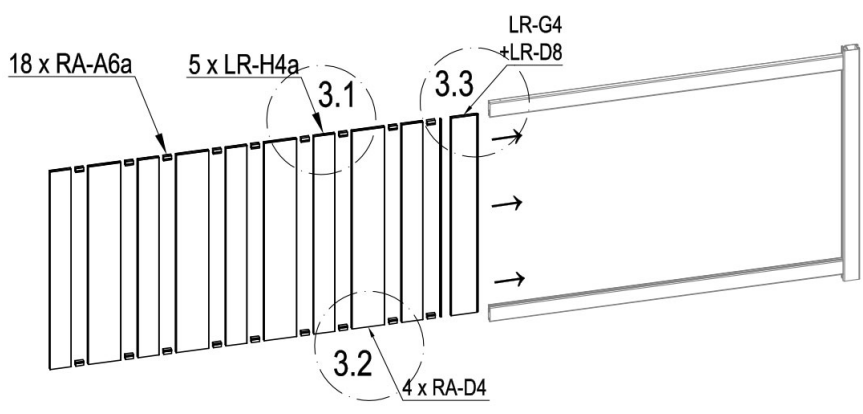


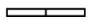
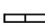

	LR-D1	1
	LR-D3	2
	Dr-28	2
	RA-BL33	4

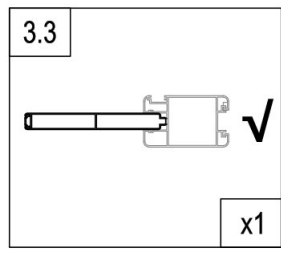


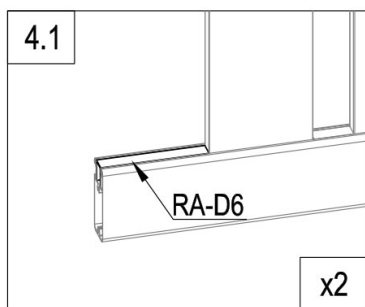
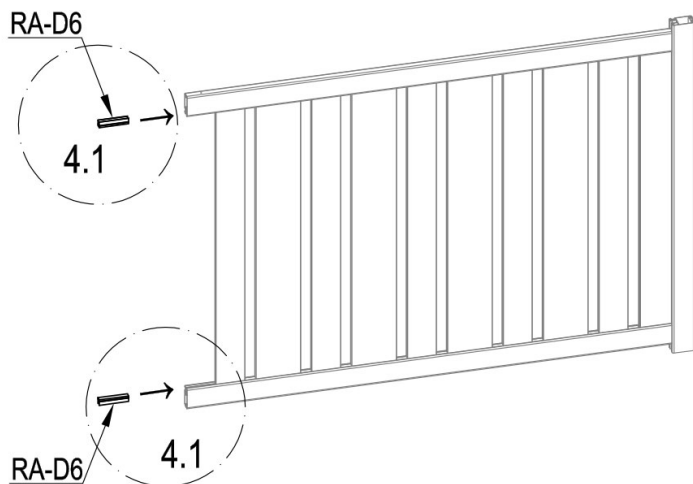
	LR-D8	1
	LR-G4	1

CASANOVO

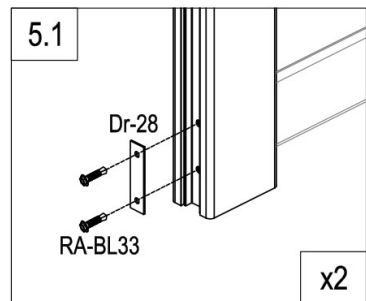
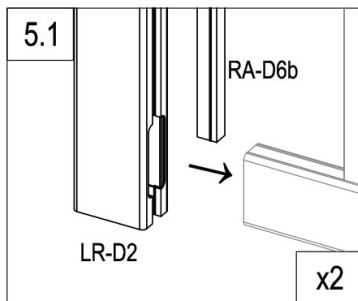
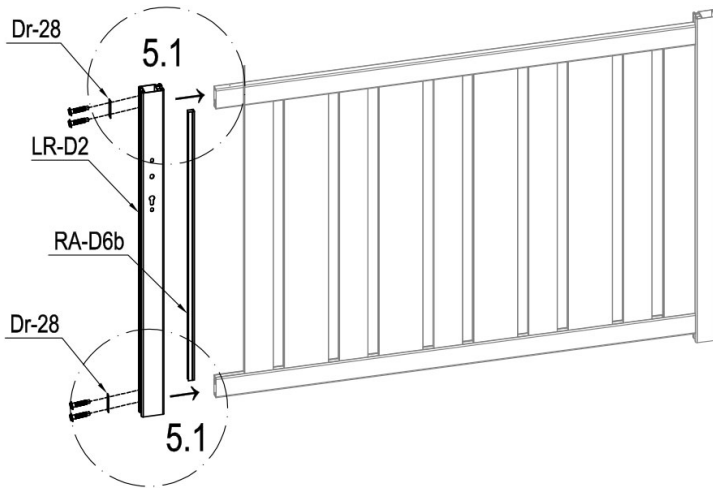


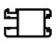



	RA-D4	4
	LR-H4a	5
	RA-A6a	18

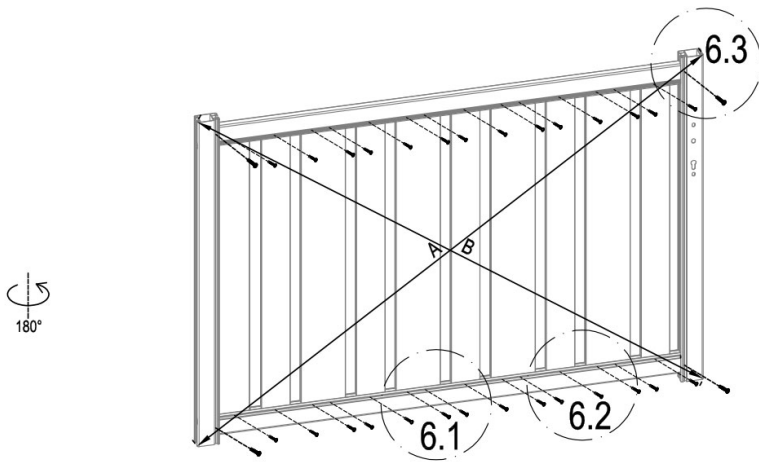




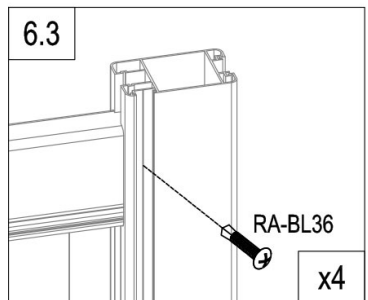
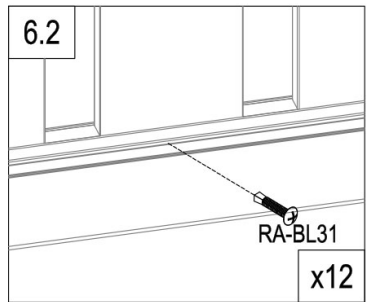
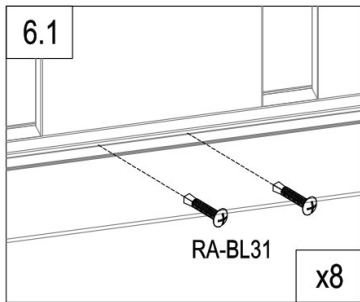
	RA-D6	2
---	-------	---





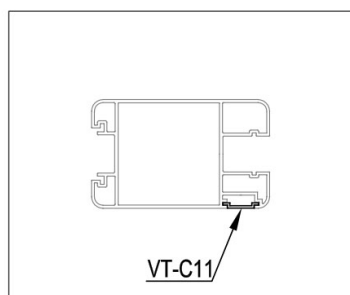
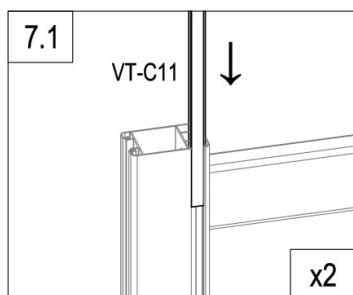
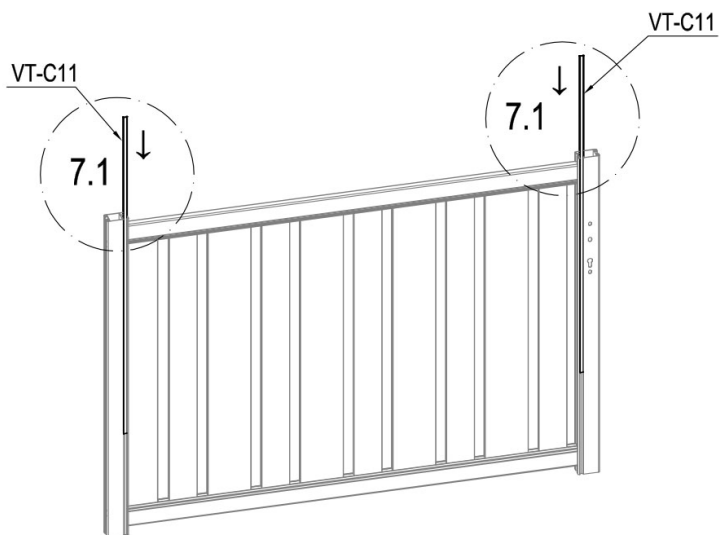
	LR-D2	1
	RA-D6b	1
	Dr-28	2
	RA-BL33	4




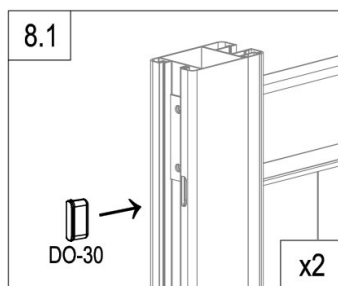
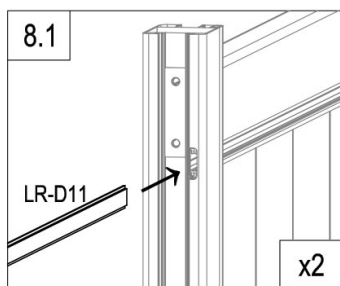
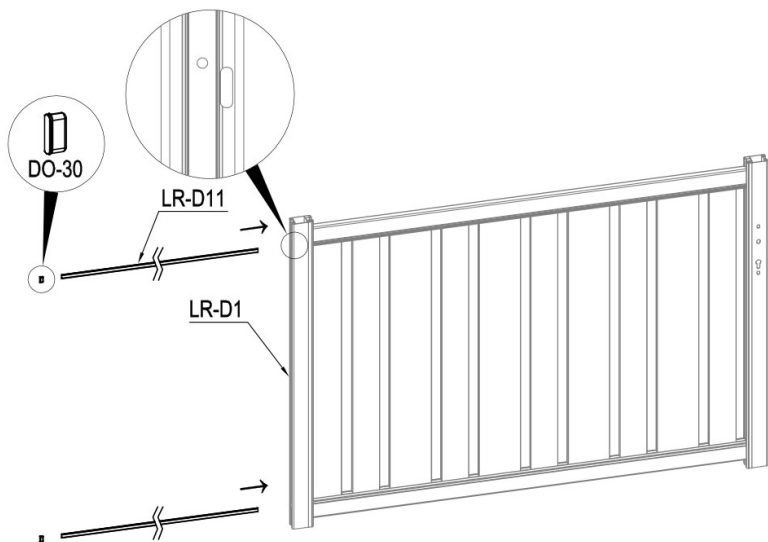
A=B





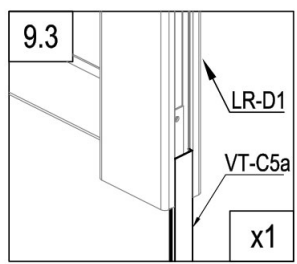
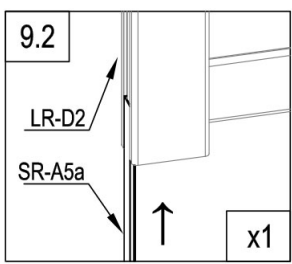
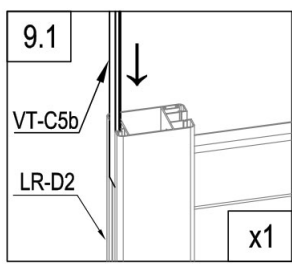
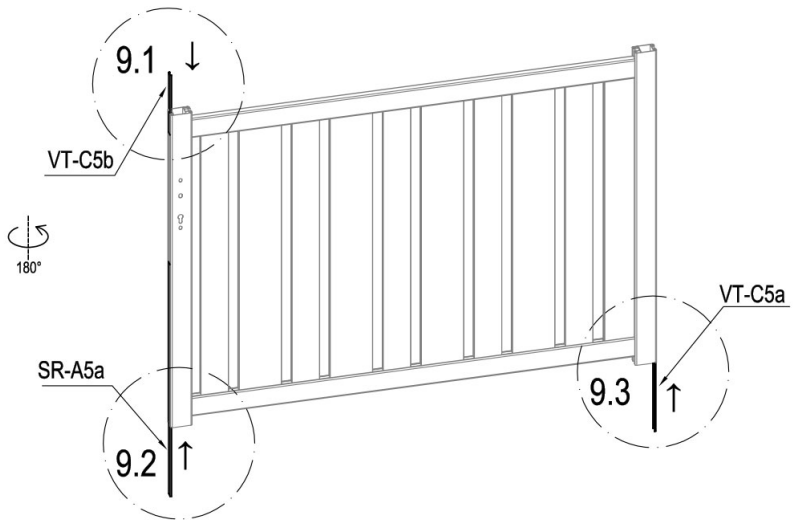
	RA-BL31	28
	RA-BL36	4




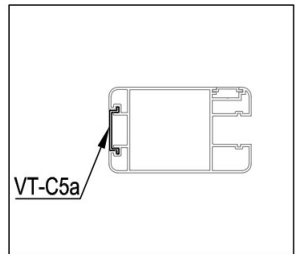
	VT-C11	2
---	--------	---

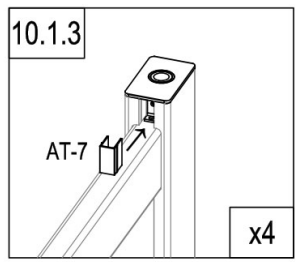
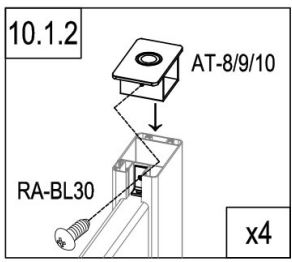
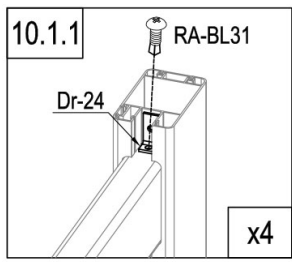
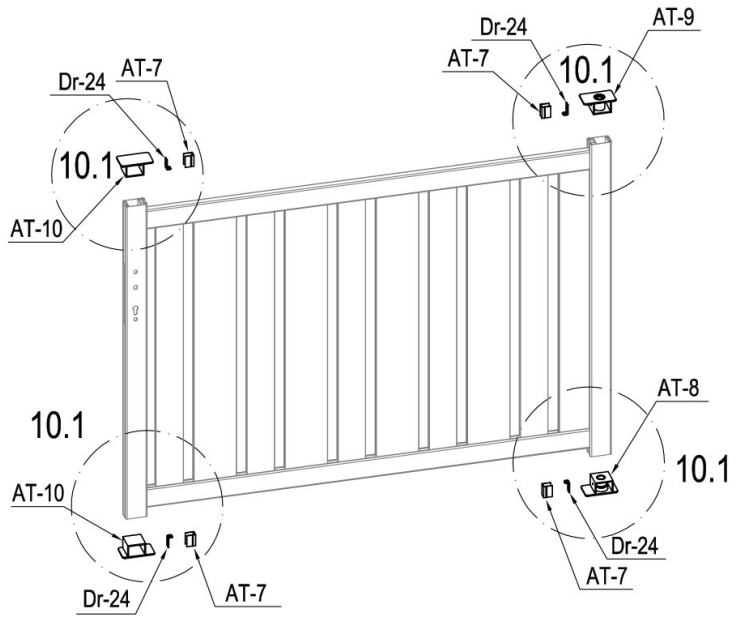


	LR-D11	2
	DO-30	2



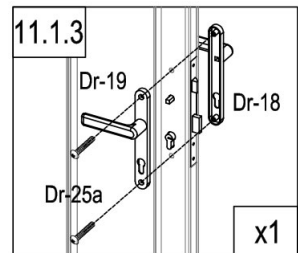
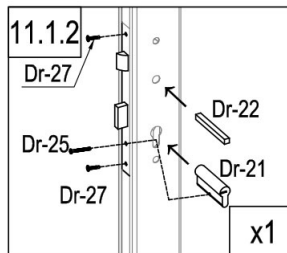
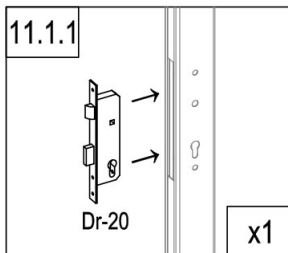
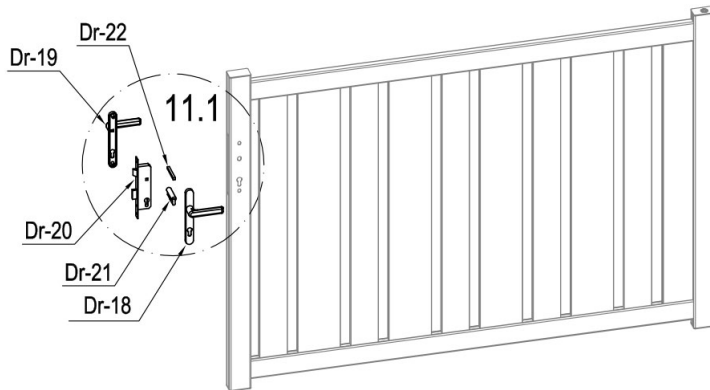
	VT-C5a	1
	VT-C5b	1
	SR-A5a	1













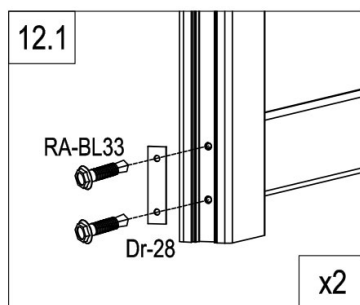
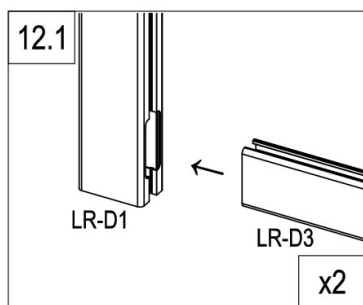
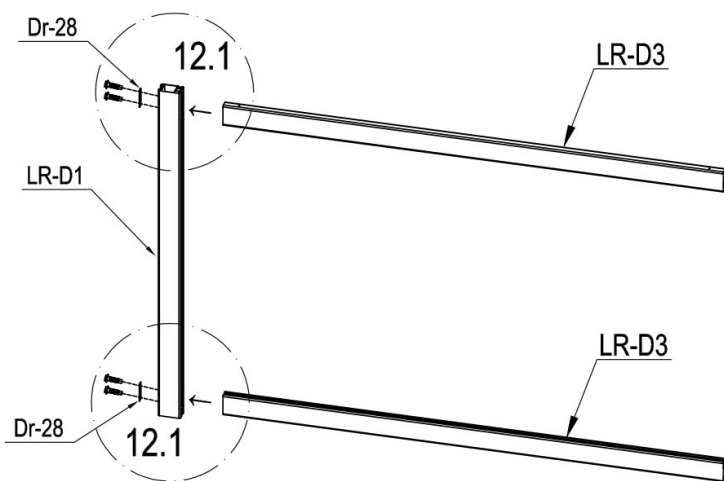
	AT-8	1
	AT-9	1
	AT-10	2
	Dr-24	4

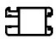
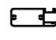


	AT-7	4
	RA-BL30	4
	RA-BL31	4

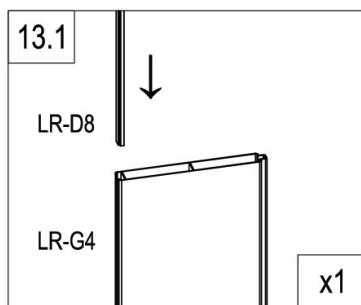
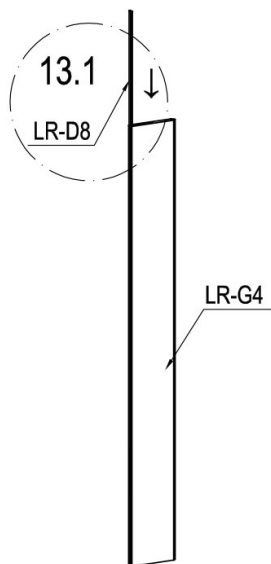



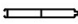
	Dr-20	1
	Dr-21	1
	Dr-22	1
	Dr-25	1

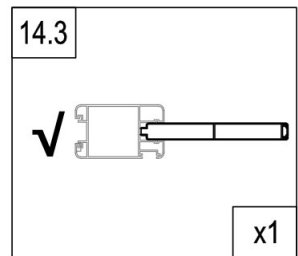
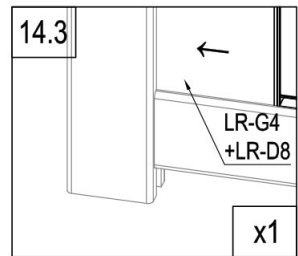
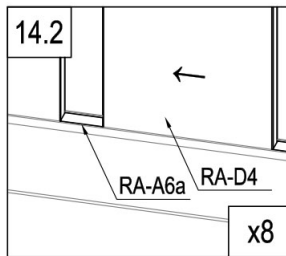
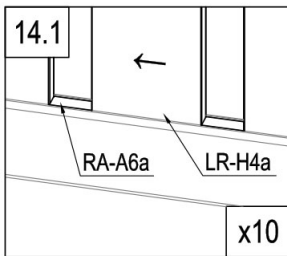
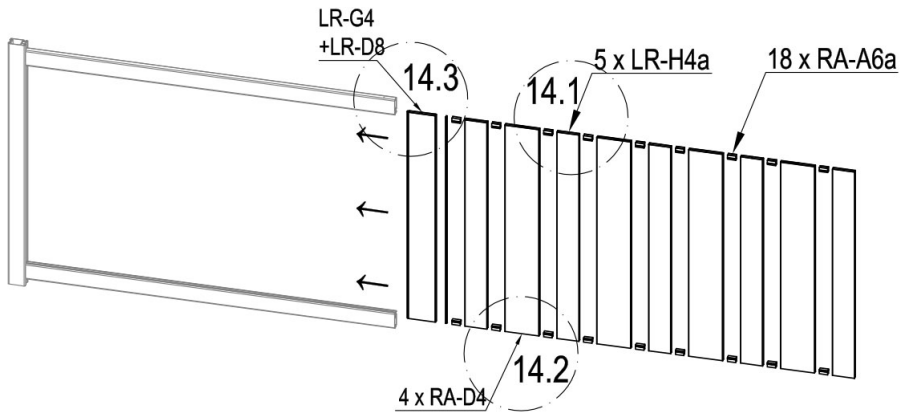
	Dr-18	1
	Dr-19	1
	Dr-25a	2
	Dr-27	2

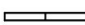
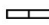



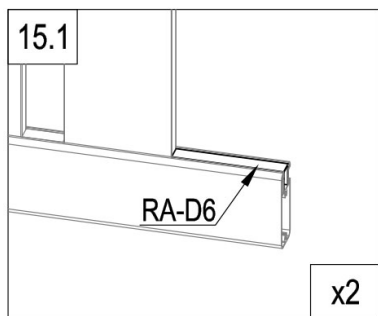
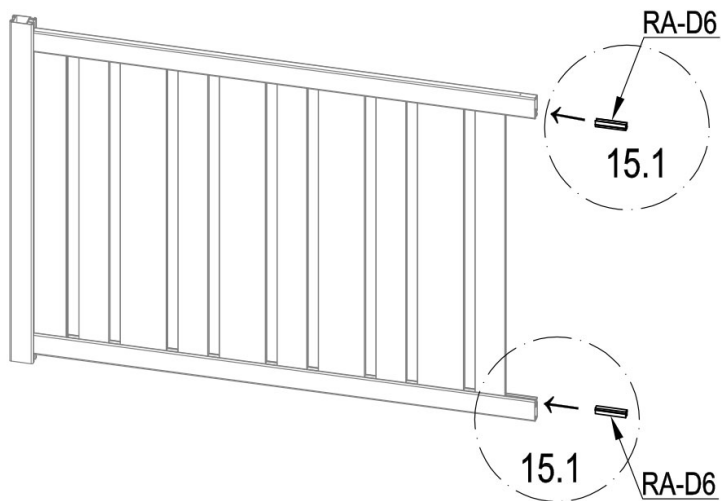
	LR-D1	1
	LR-D3	2
	Dr-28	2
	RA-BL33	4



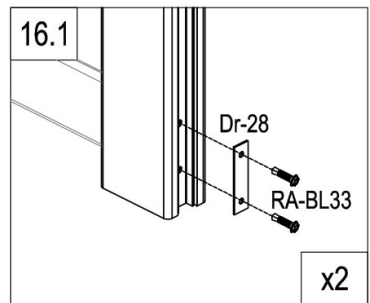
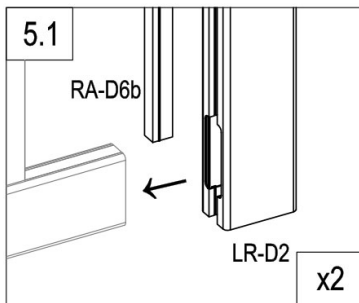
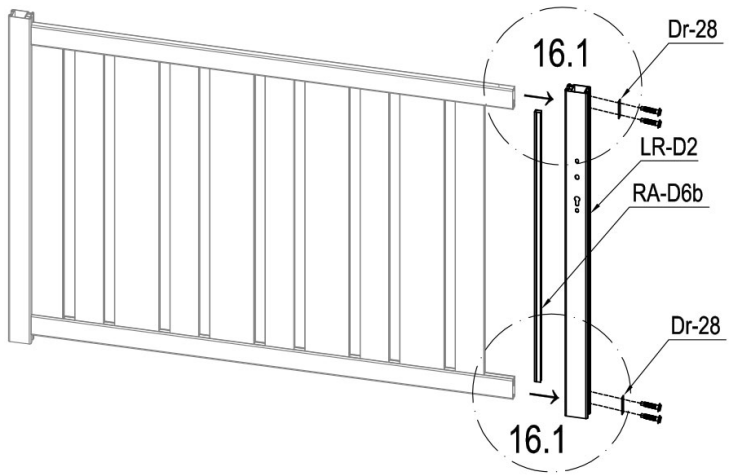
	LR-D8	1
	LR-G4	1

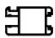





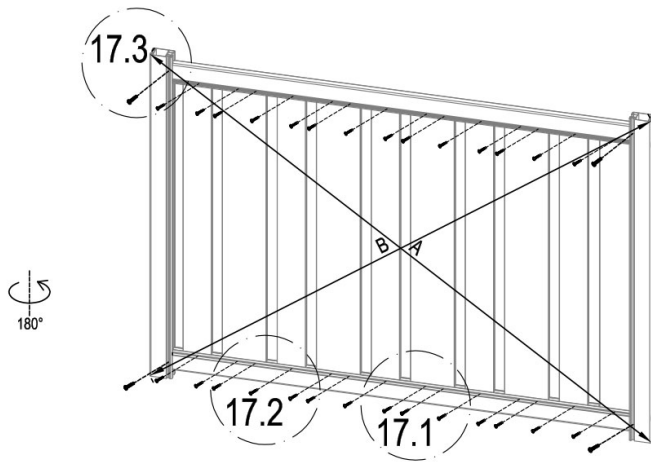
	RA-D4	4
	LR-H4a	5
	RA-A6a	18



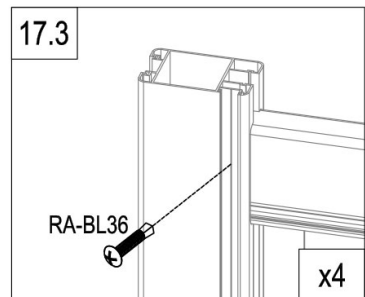
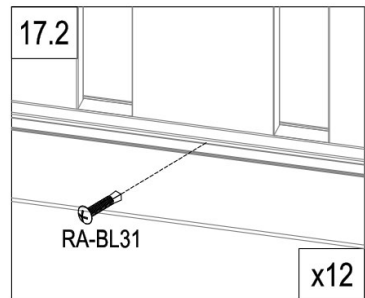
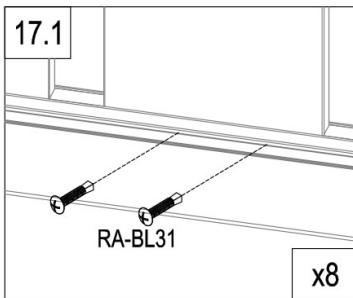
	RA-D6	2
---	-------	---





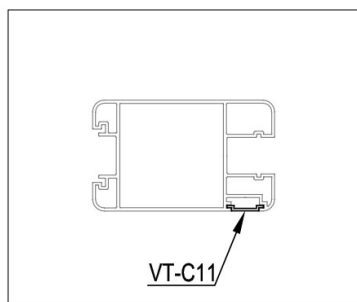
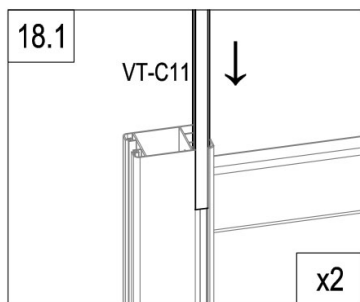
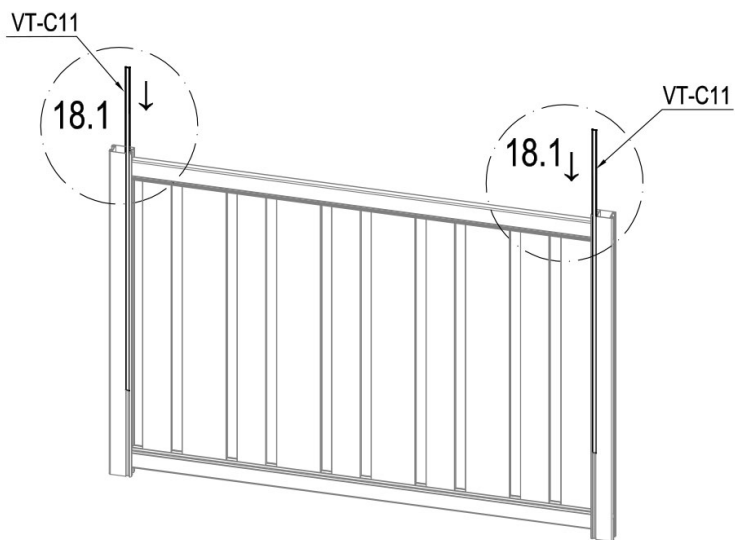
	LR-D2	1
	RA-D6b	1
	Dr-28	2
	RA-BL33	4



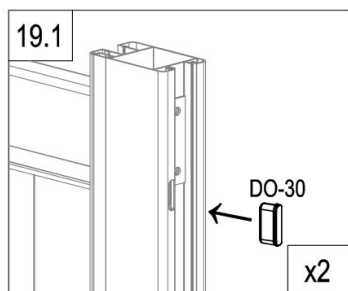
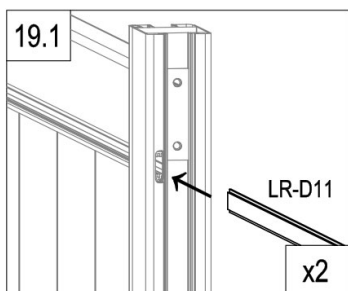
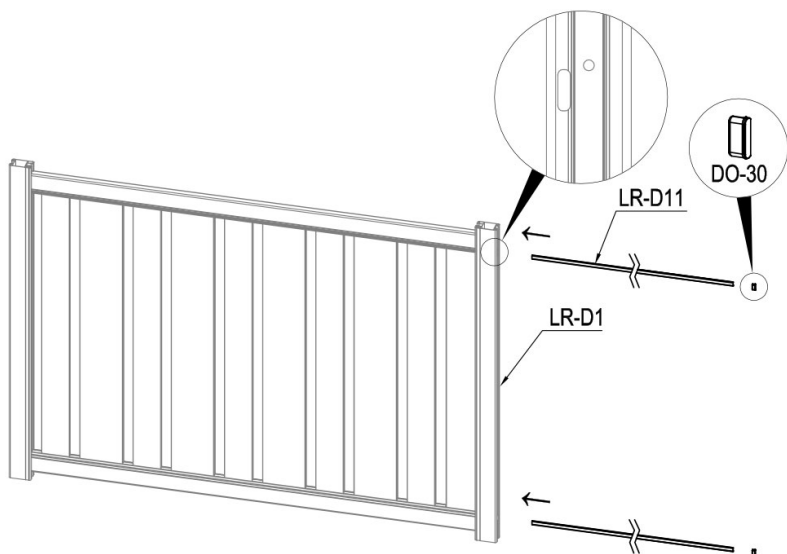
A=B





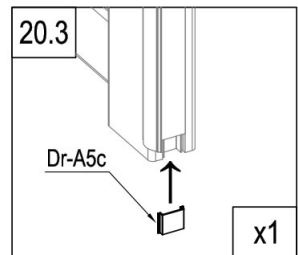
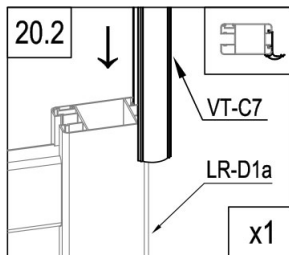
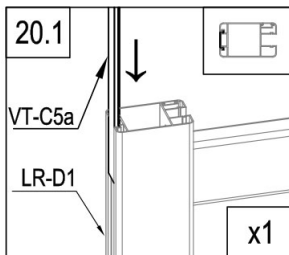
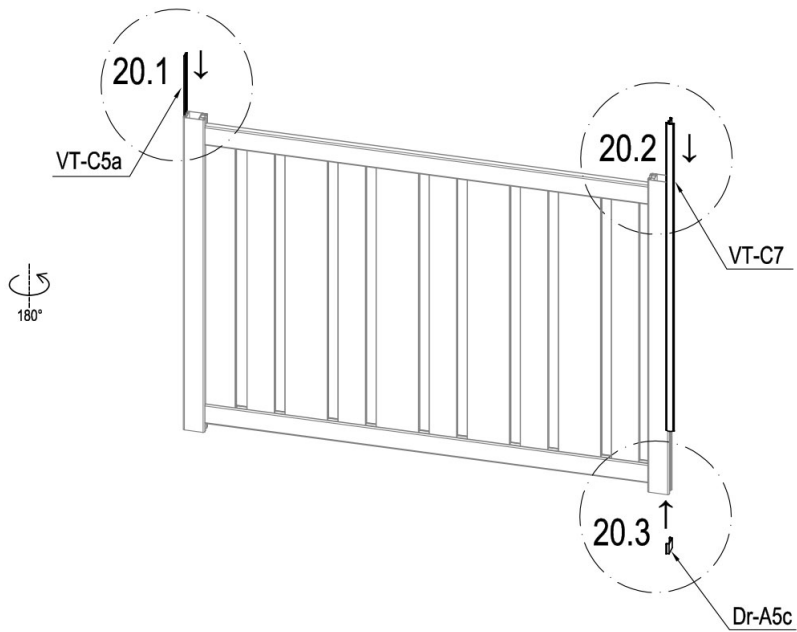
	RA-BL31	28
	RA-BL36	4


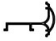


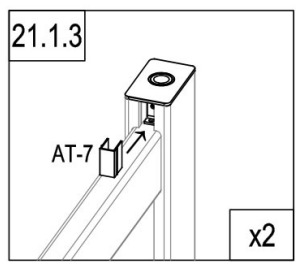
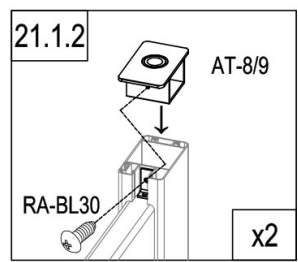
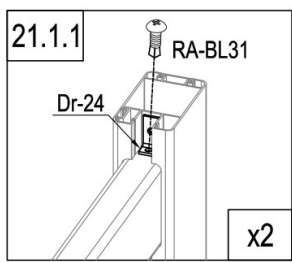
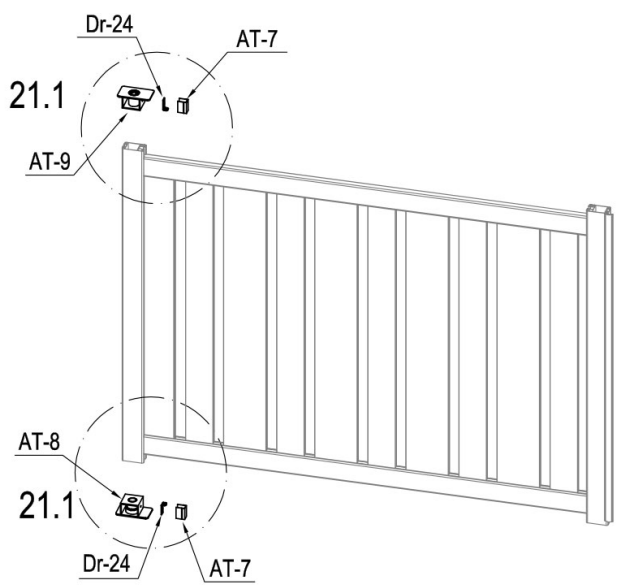
	VT-C11	2
---	--------	---



	LR-D11	2
	DO-30	2

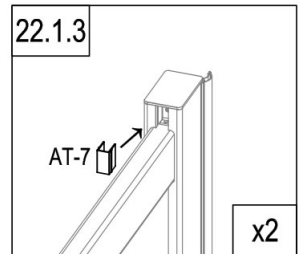
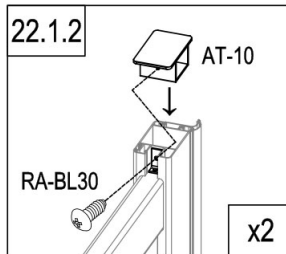
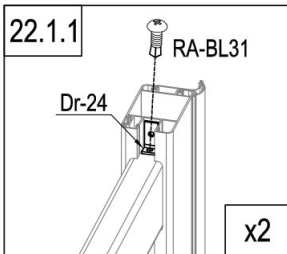
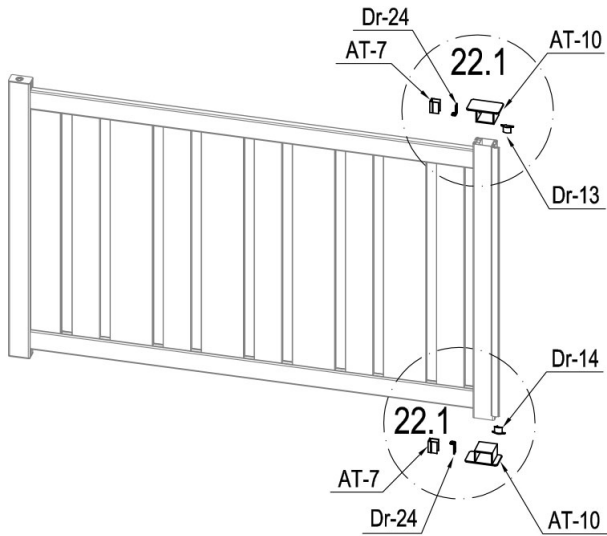


	VT-C5a	1
	Dr-A5c	1
	VT-C7	1

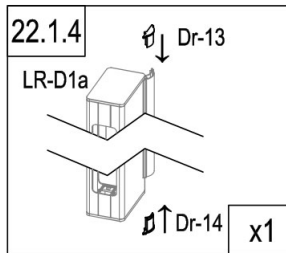


	AT-8	1
	AT-9	1
	Dr-24	2

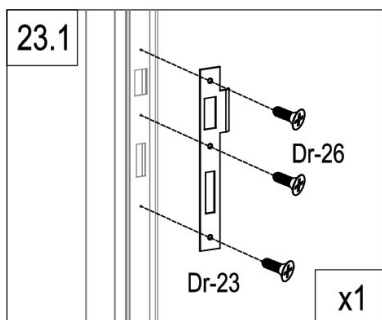
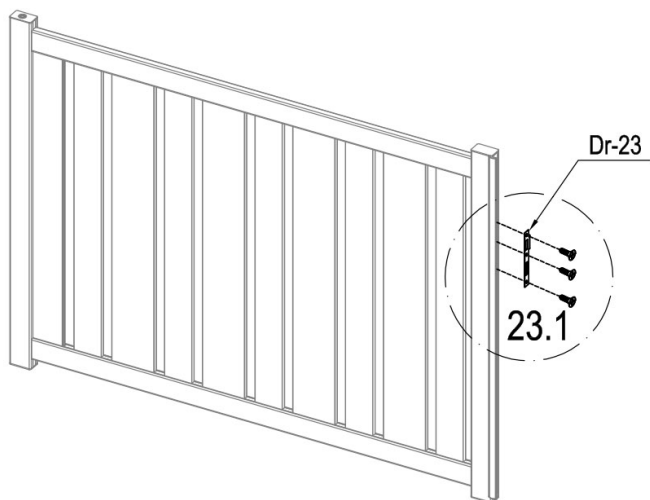
	AT-7	2
	RA-BL30	2
	RA-BL31	2





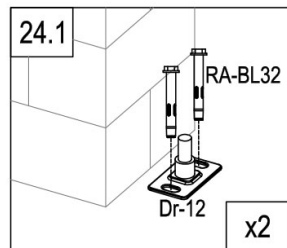
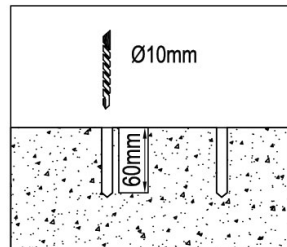
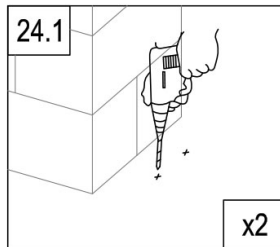
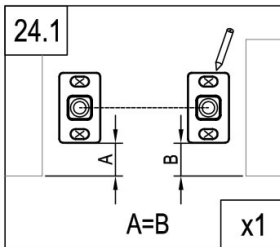
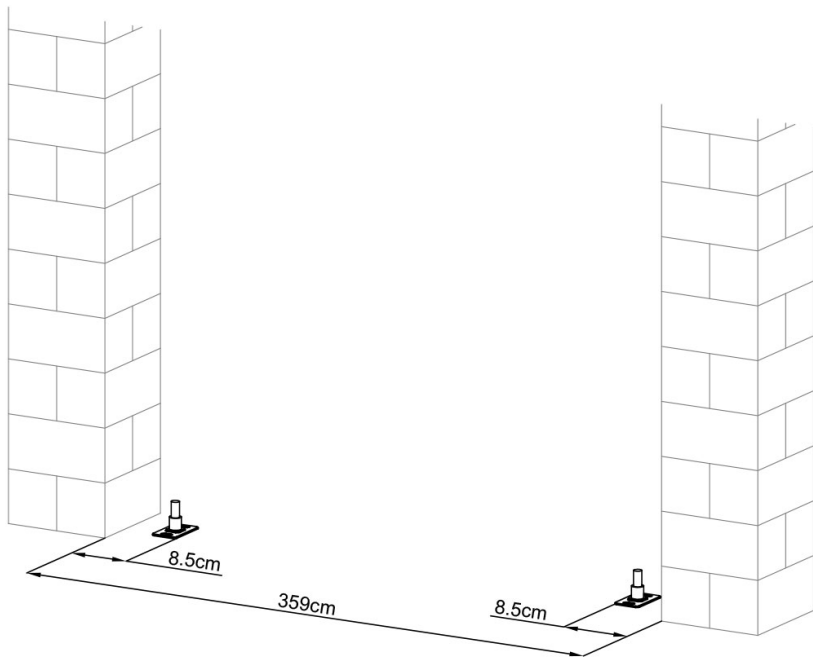
	AT-10	2
	Dr-24	2
	AT-7	2
	Dr-13	1





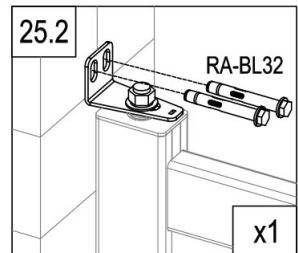
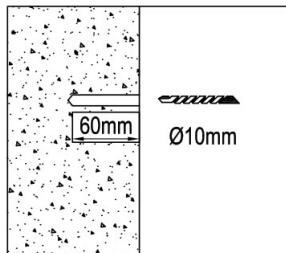
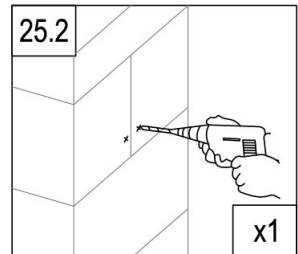
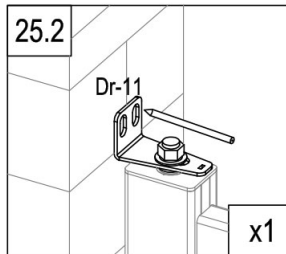
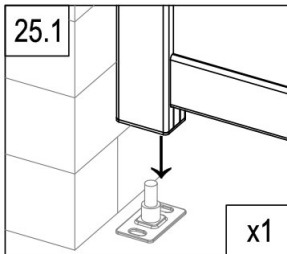
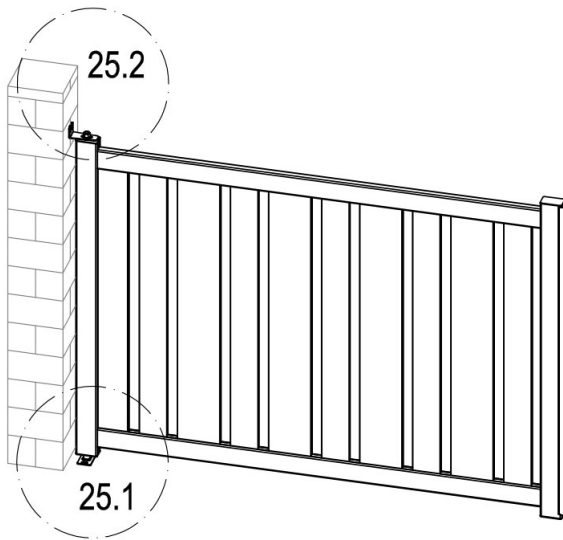
	Dr-14	1
	RA-BL30	2
	RA-BL31	2





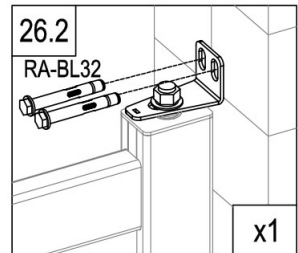
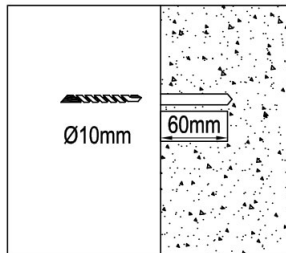
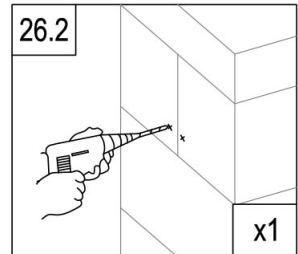
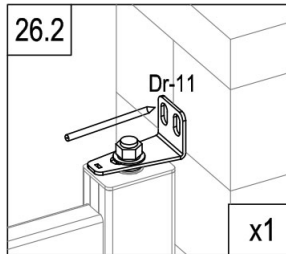
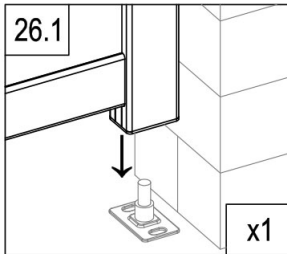
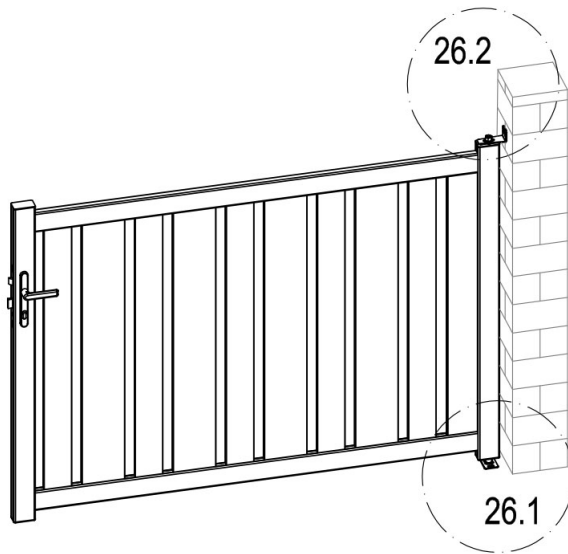
	Dr-23	1
	Dr-26	3





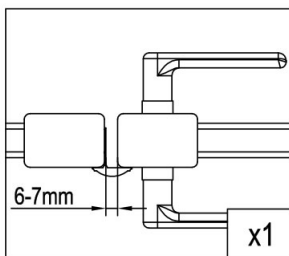
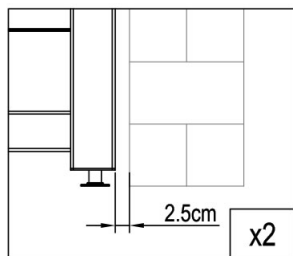
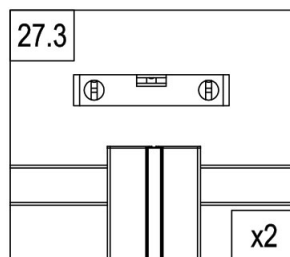
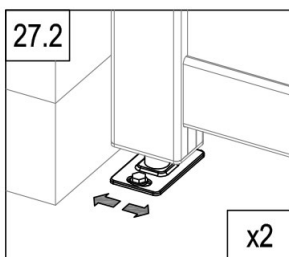
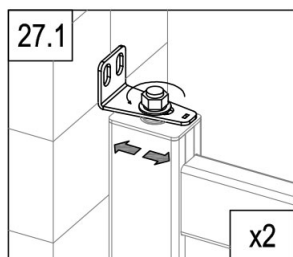
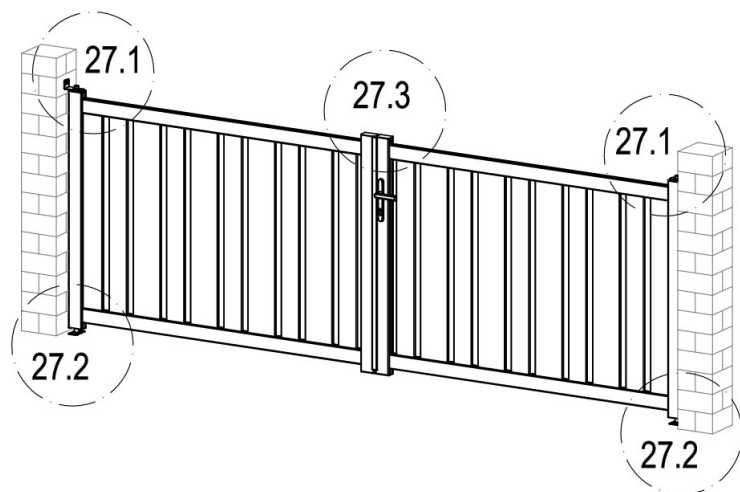
	Dr-12	2
	RA-BL32	4

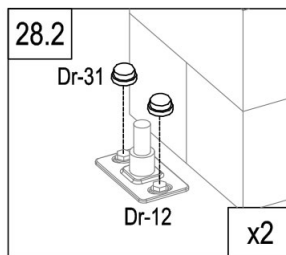
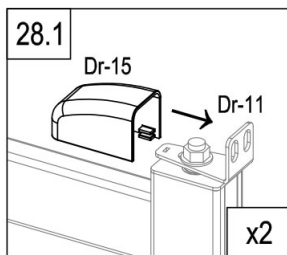
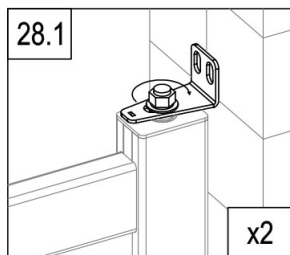
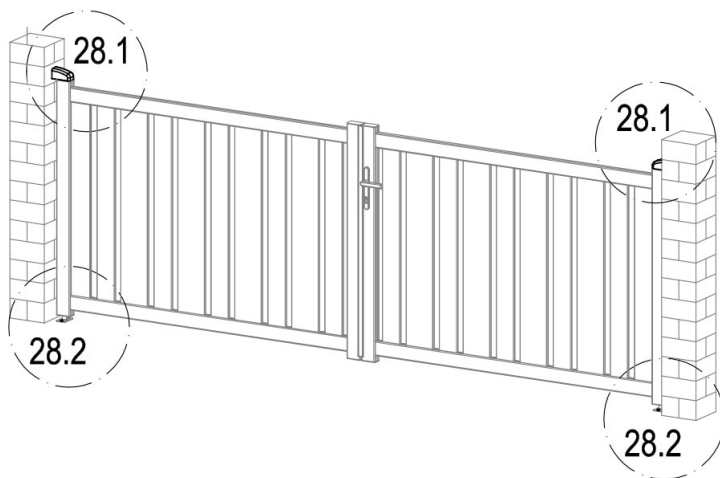




	Dr-11	1
	RA-BL32	2

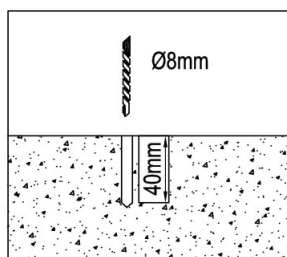
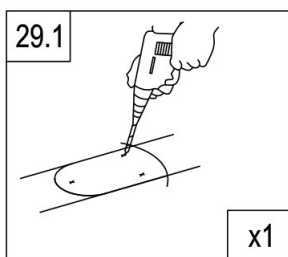
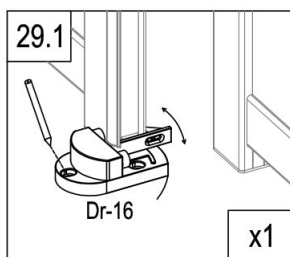
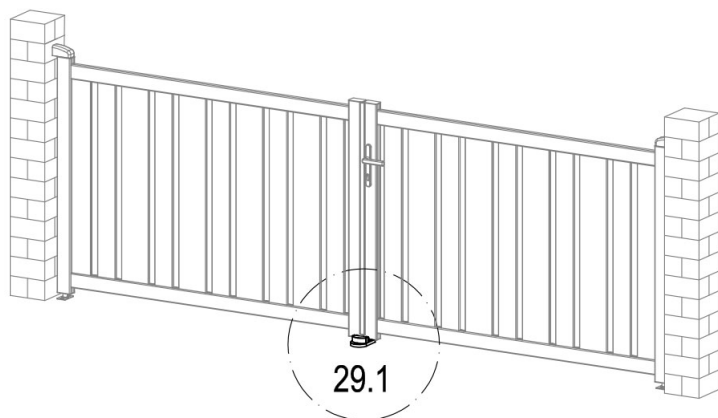



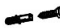

	Dr-11	1
	RA-BL32	2

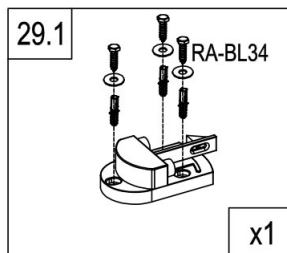


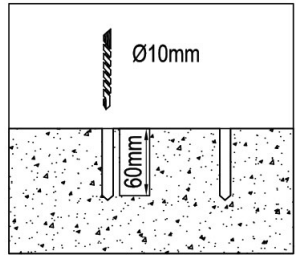
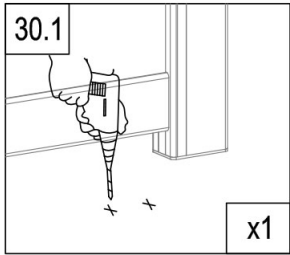
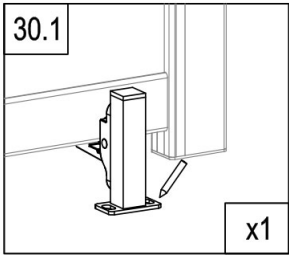
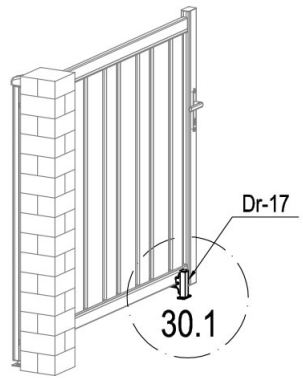
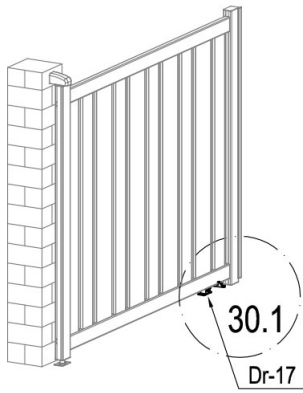




	Dr-15	2
	Dr-31	4



	Dr-16	1
	RA-BL34	3
	RA-BL35	3





	RA-BL32	4
	Dr-17	2

