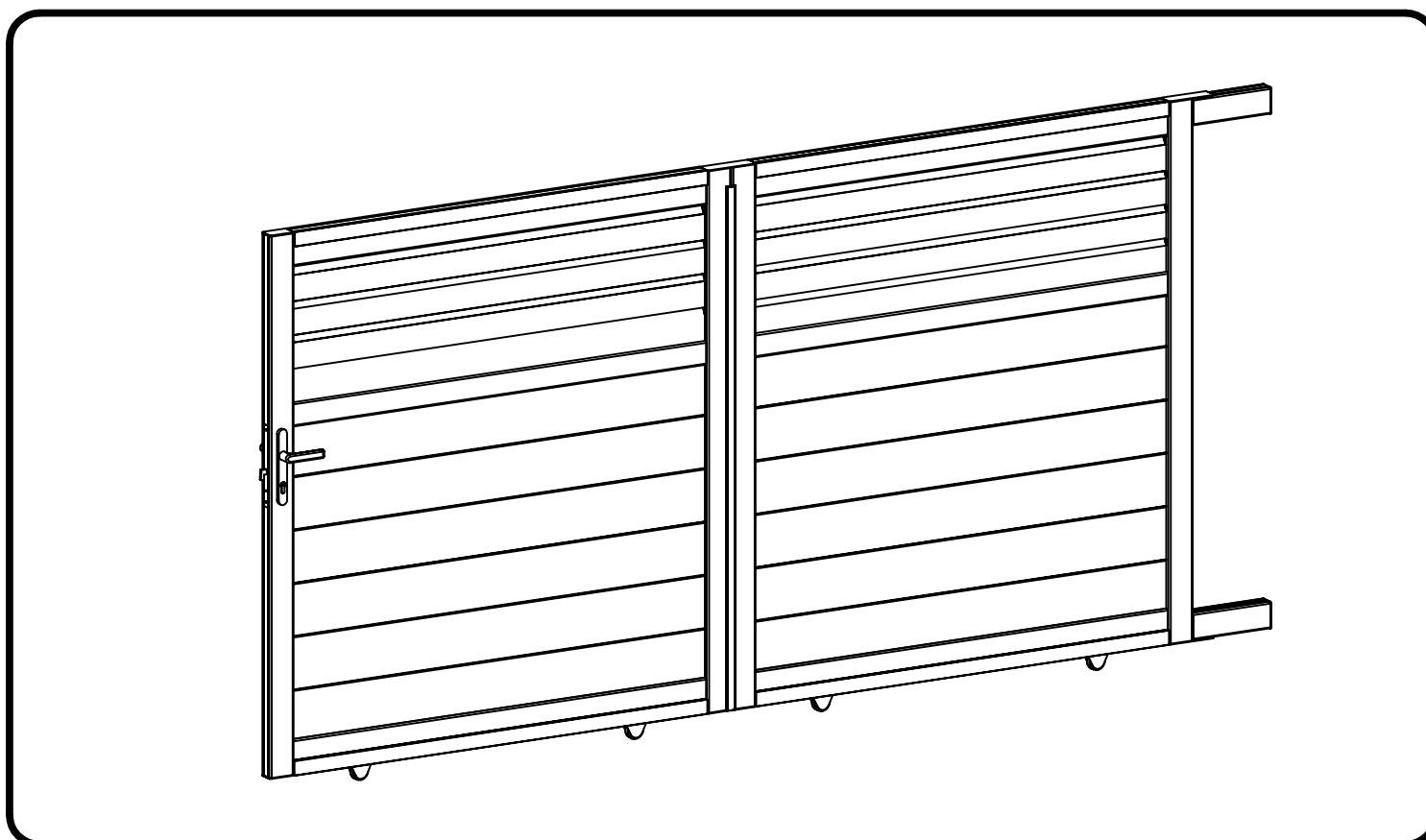


CASANOVO

CARPATIA 300C160



7-8H



x2

COM-000122

[x1]

COM-000123

[x1]

COM-000124

[x1]

FR

EN

ES

DE

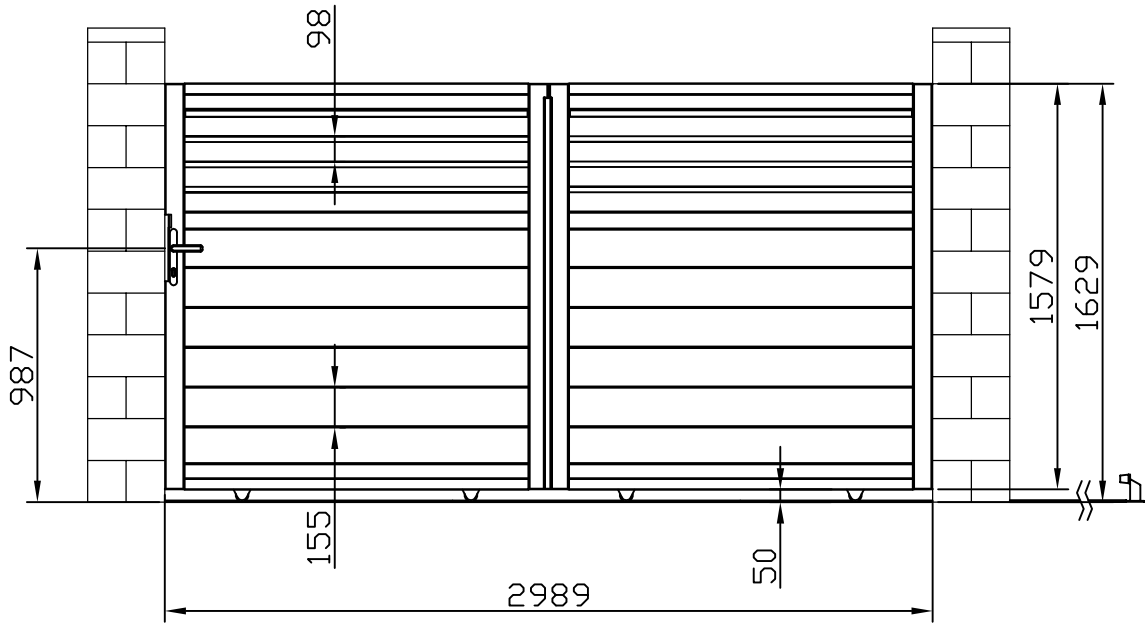
IT

NL

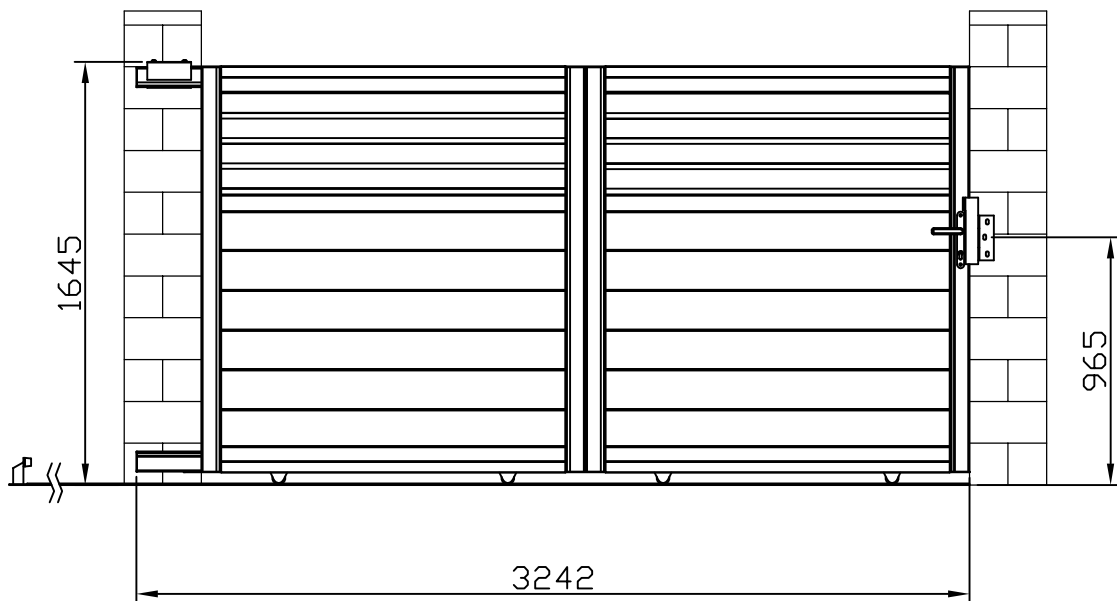
PL

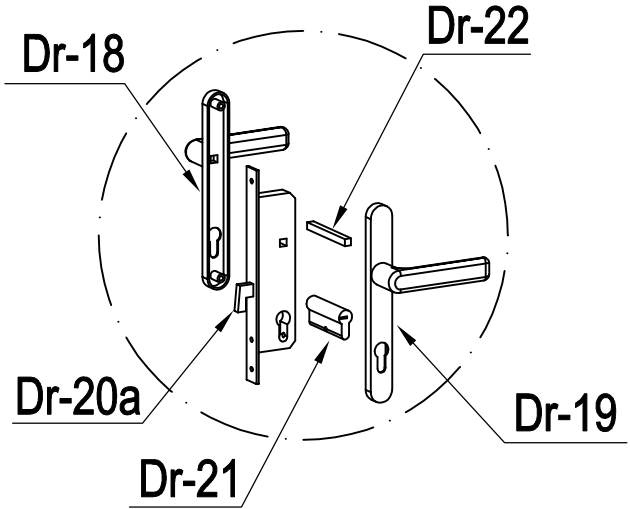
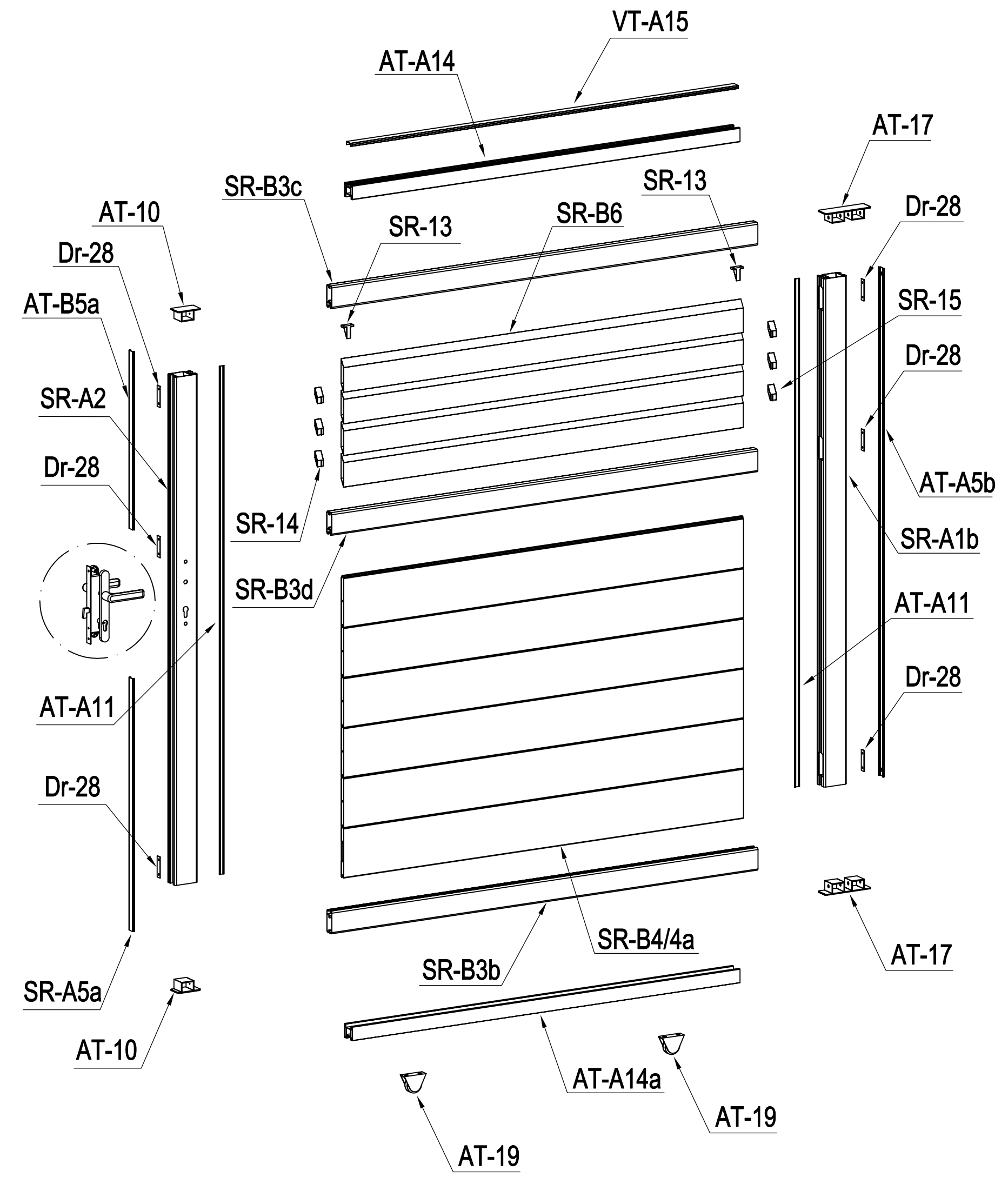


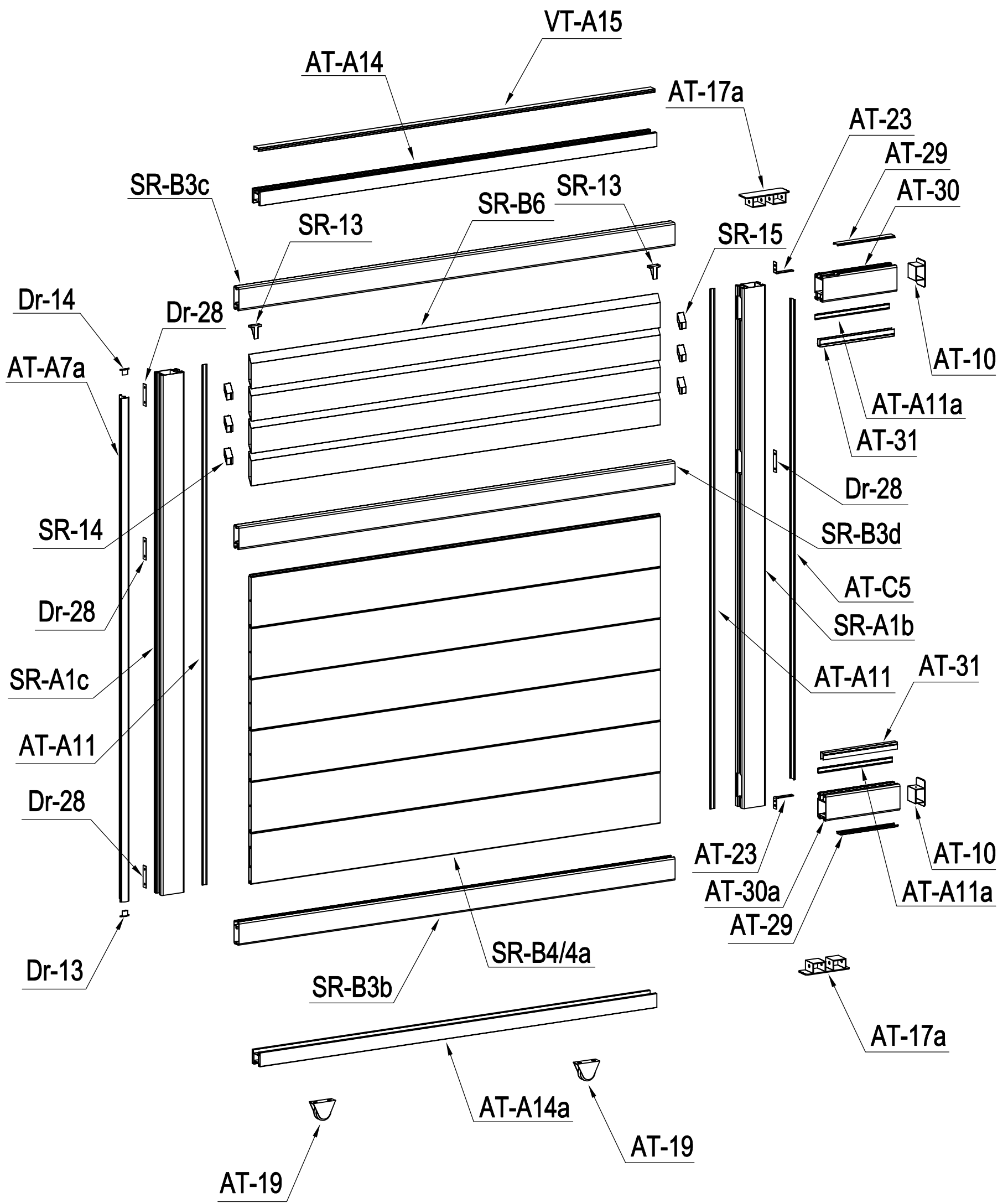
Ext.

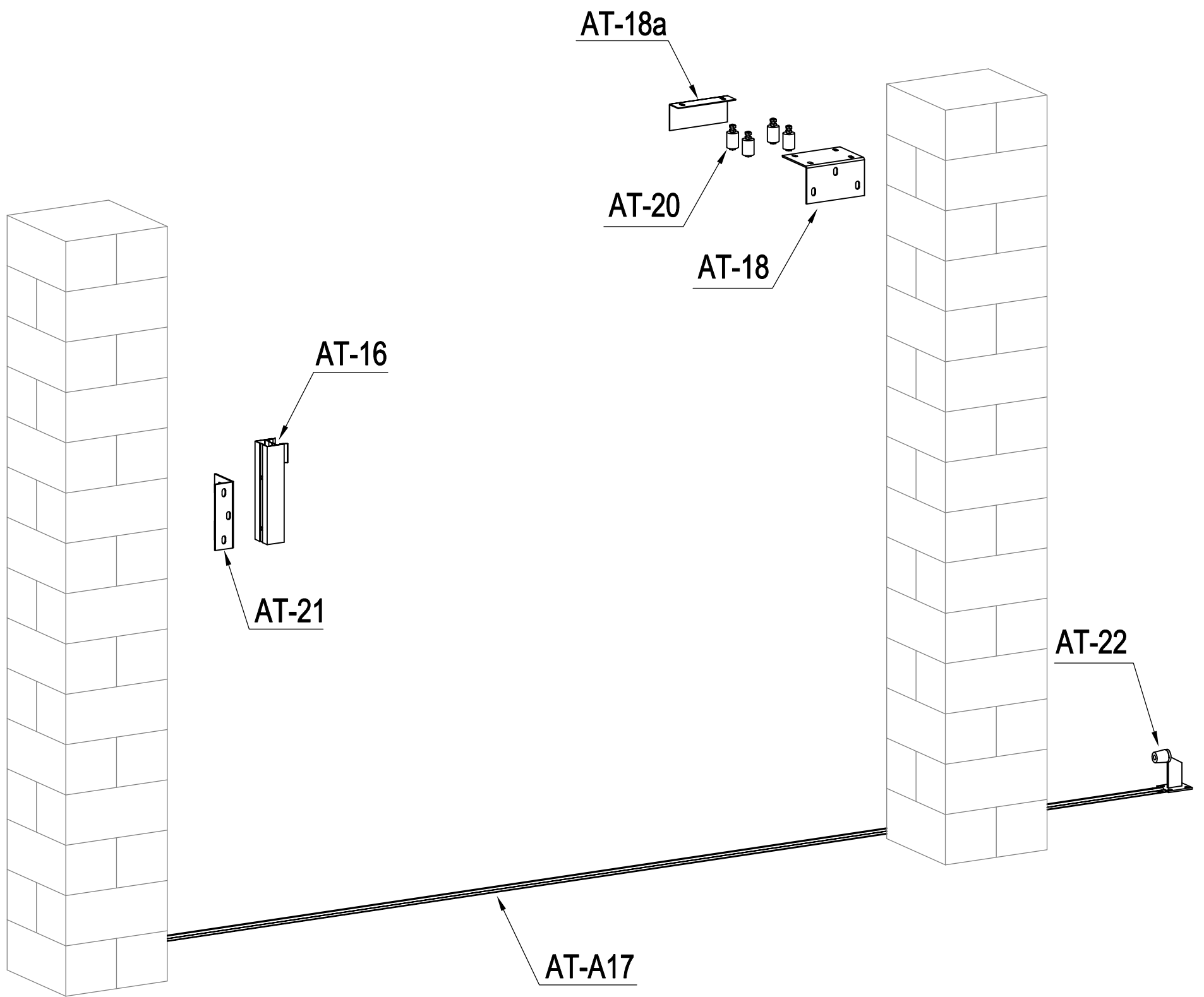


Int.

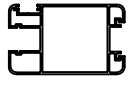




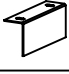
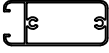


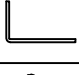
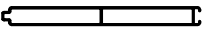


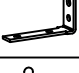
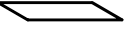
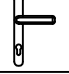
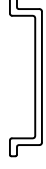
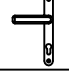
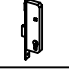



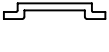

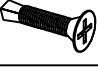

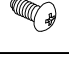
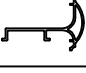

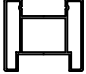
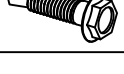
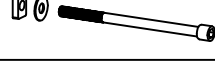
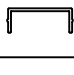
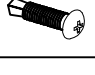

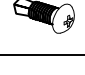


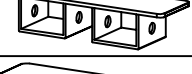




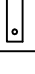
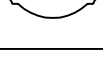



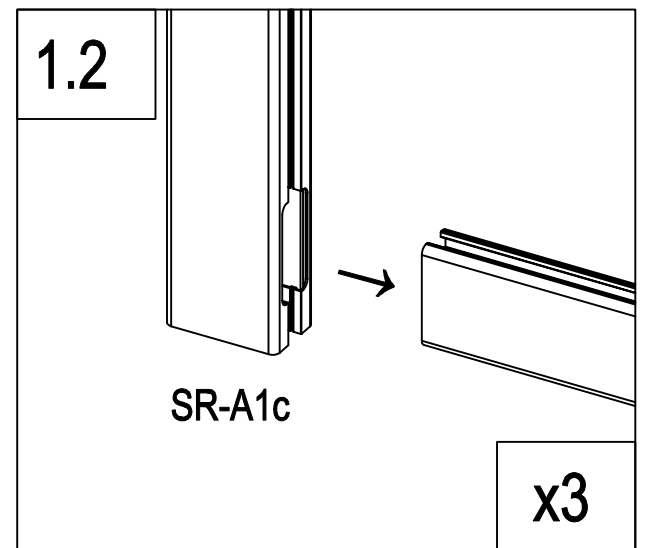
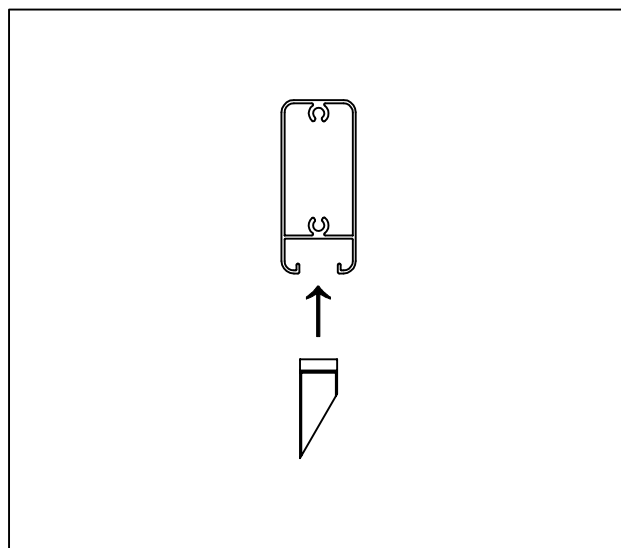
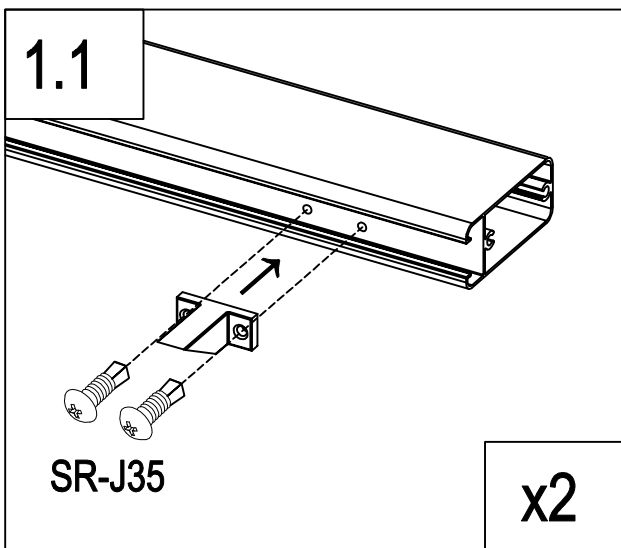
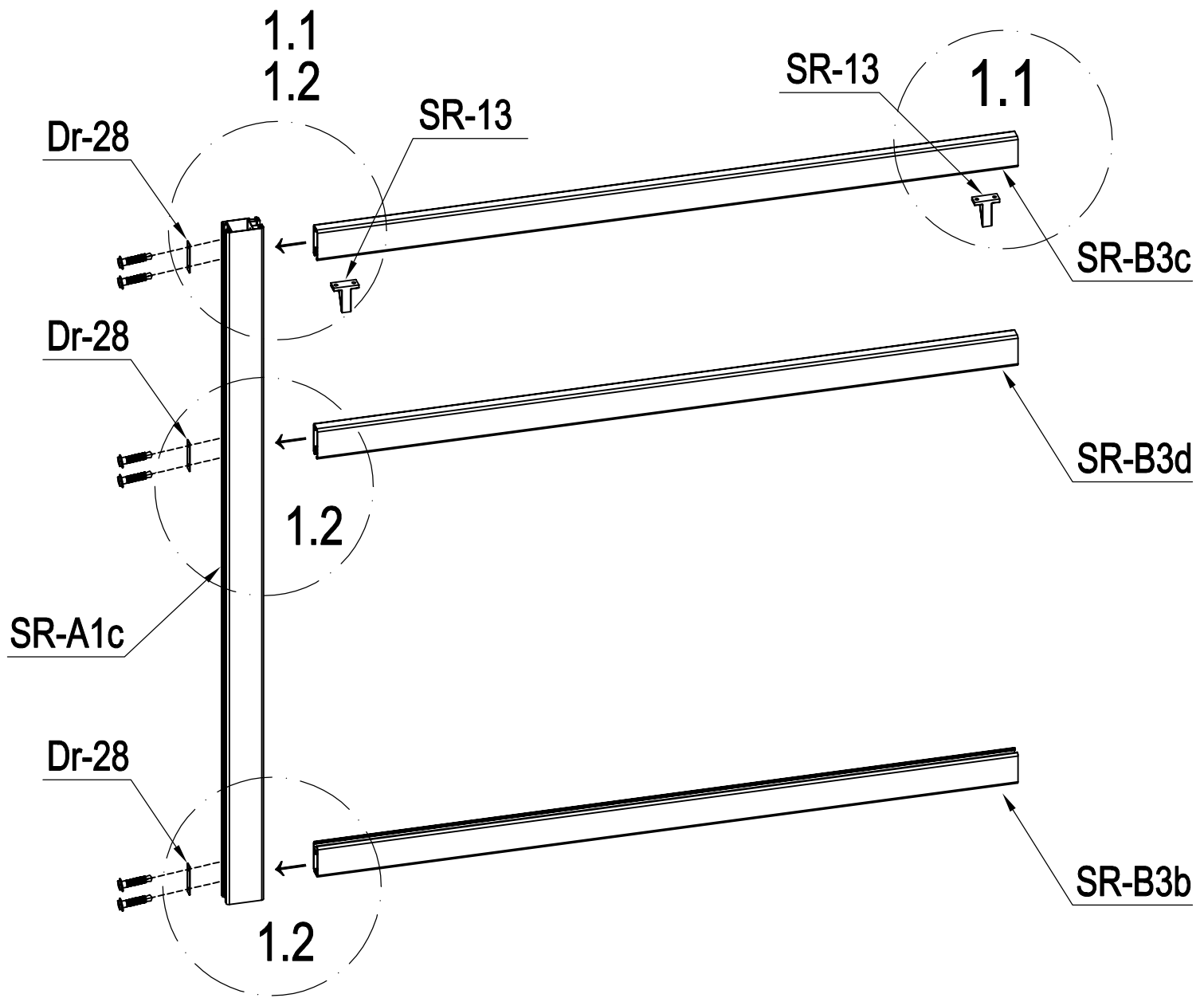




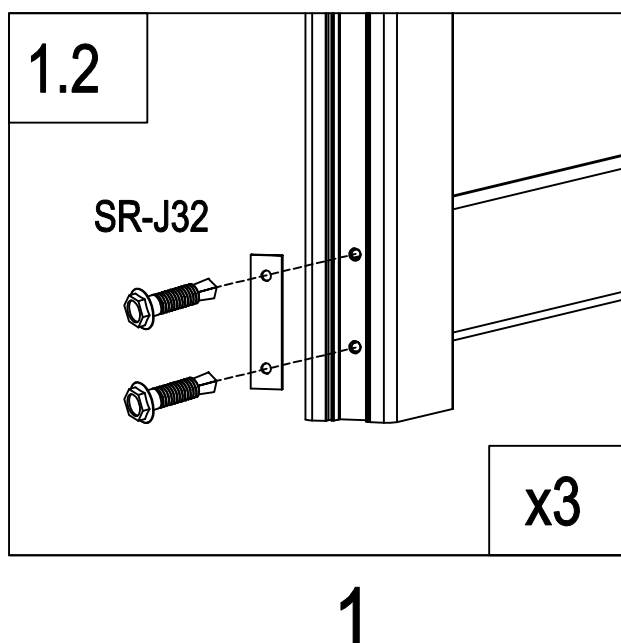


PART LIST

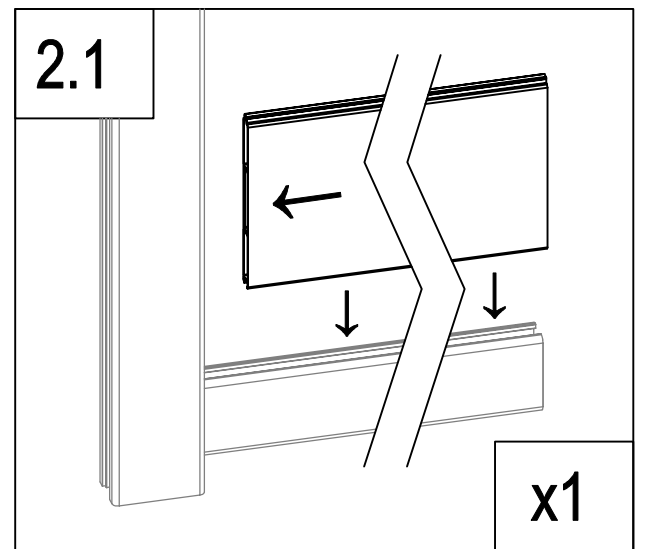
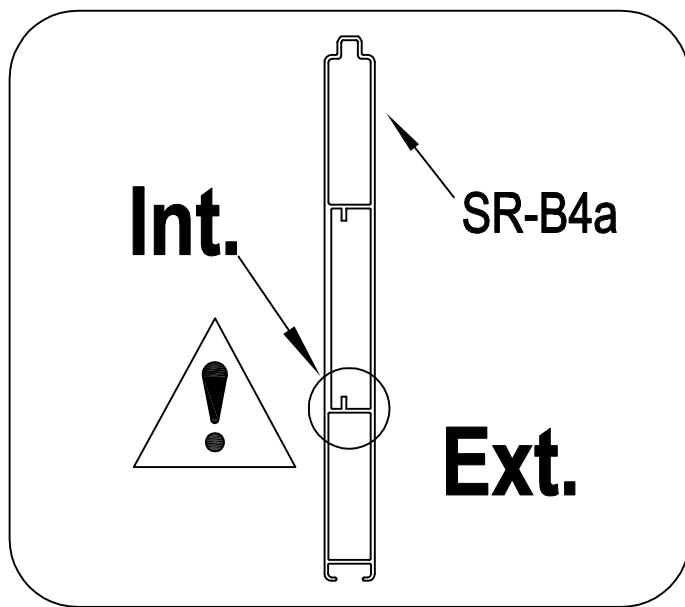
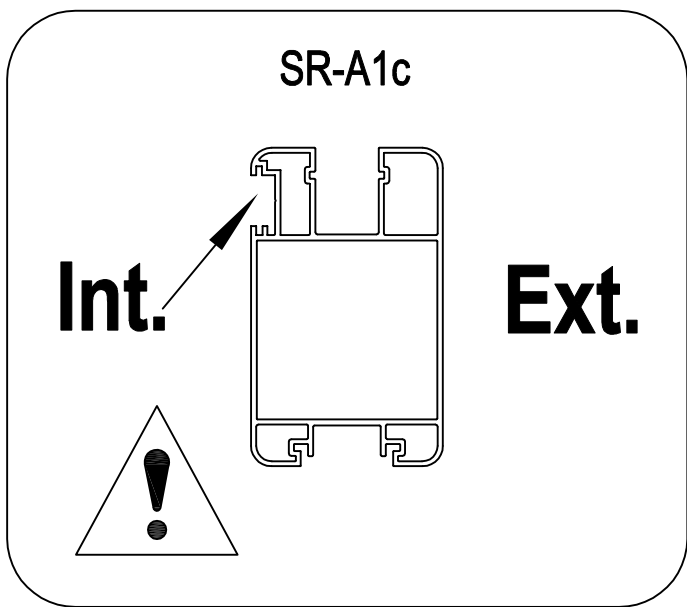
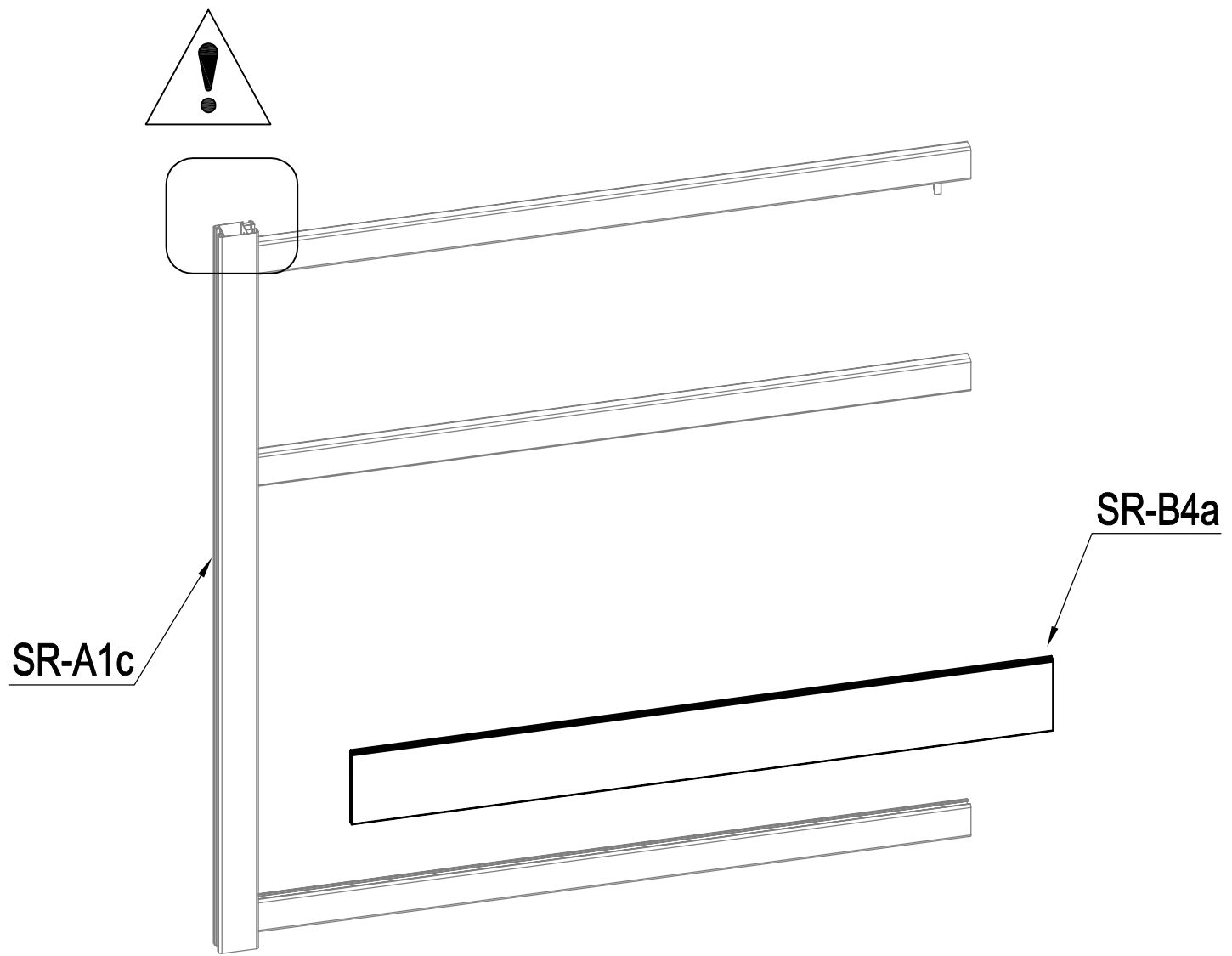
IMAGE	NO.	L.(mm)	QTY	IMAGE	NO.	L.(mm)	QTY
	SR-A1b	1573	2		SR-13		4
	SR-A1c	1573	1		SR-14		6
	SR-A2	1573	1		SR-15		6
	AT-30	250	1		AT-18		1
	AT-30a	250	1		AT-18a		1
	SR-B3b	1471	2		AT-19		4
	SR-B3c	1471	2		AT-20		4
	SR-B3d	1471	2		AT-21		1
	SR-B4	1380	10		AT-22		1
	SR-B4a	1380	2		AT-23		2
	SR-B6	1380	8		Dr-18		1
	AT-C5	1448	1		Dr-19		1
	AT-B5a	550.5	1		Dr-20a		1
	SR-A5a	782	1		Dr-21		1
	AT-A5b	1573	1		Dr-22		1
	AT-29	193	2		Dr-25		1
	AT-A11	1573	4		Dr-25a		2
	AT-A11a	250	2		Dr-27		2
	AT-31	250	2		SR-J30		4
	AT-A7a	1520	1		SR-J31		10
	AT-A14	1338	2		SR-J32		36
	AT-A14a	1338	2		SR-J33		4
	VT-A15	1337	2		SR-J34		64
	AT-16	260	1		SR-J35		14
	AT-A17	1212	5		SR-J36		2
	AT-17		2		SR-J37		8
	AT-17a		2		SR-J38		40
	AT-10		4		Dr-28		10
	Dr-13		1				
	Dr-14		1				



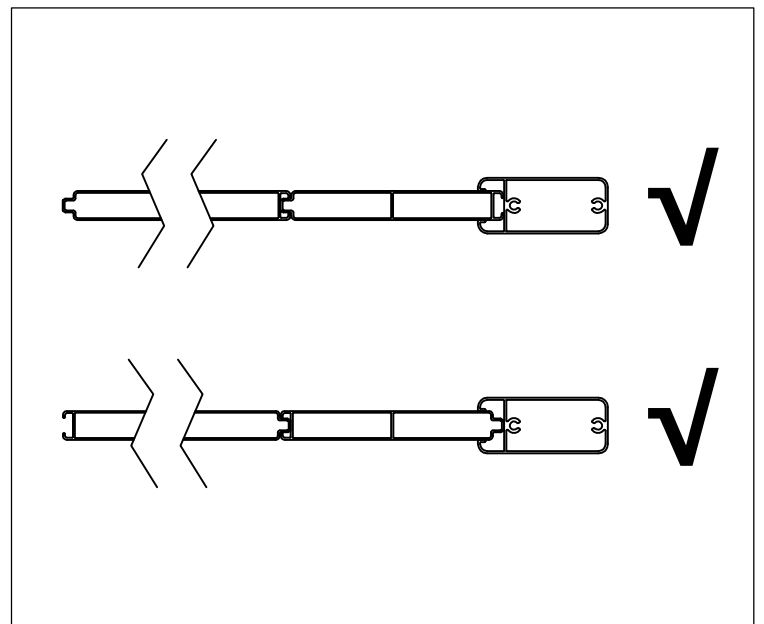
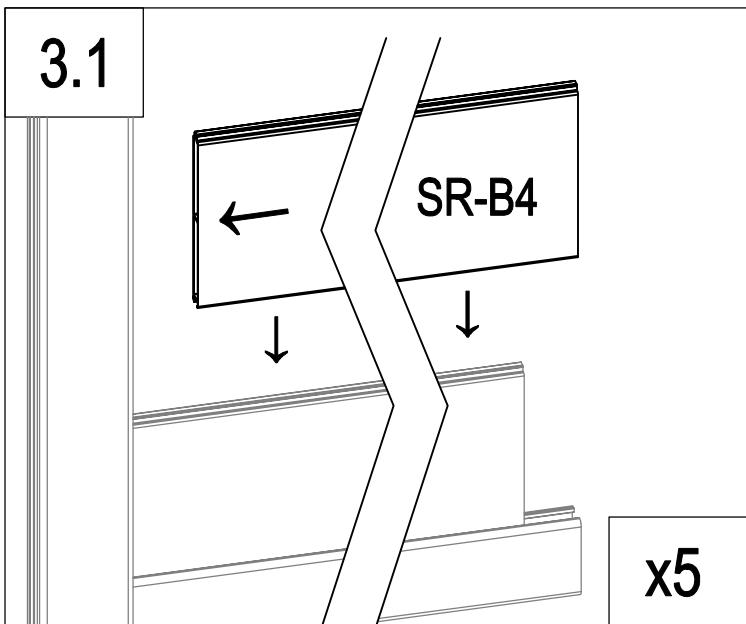
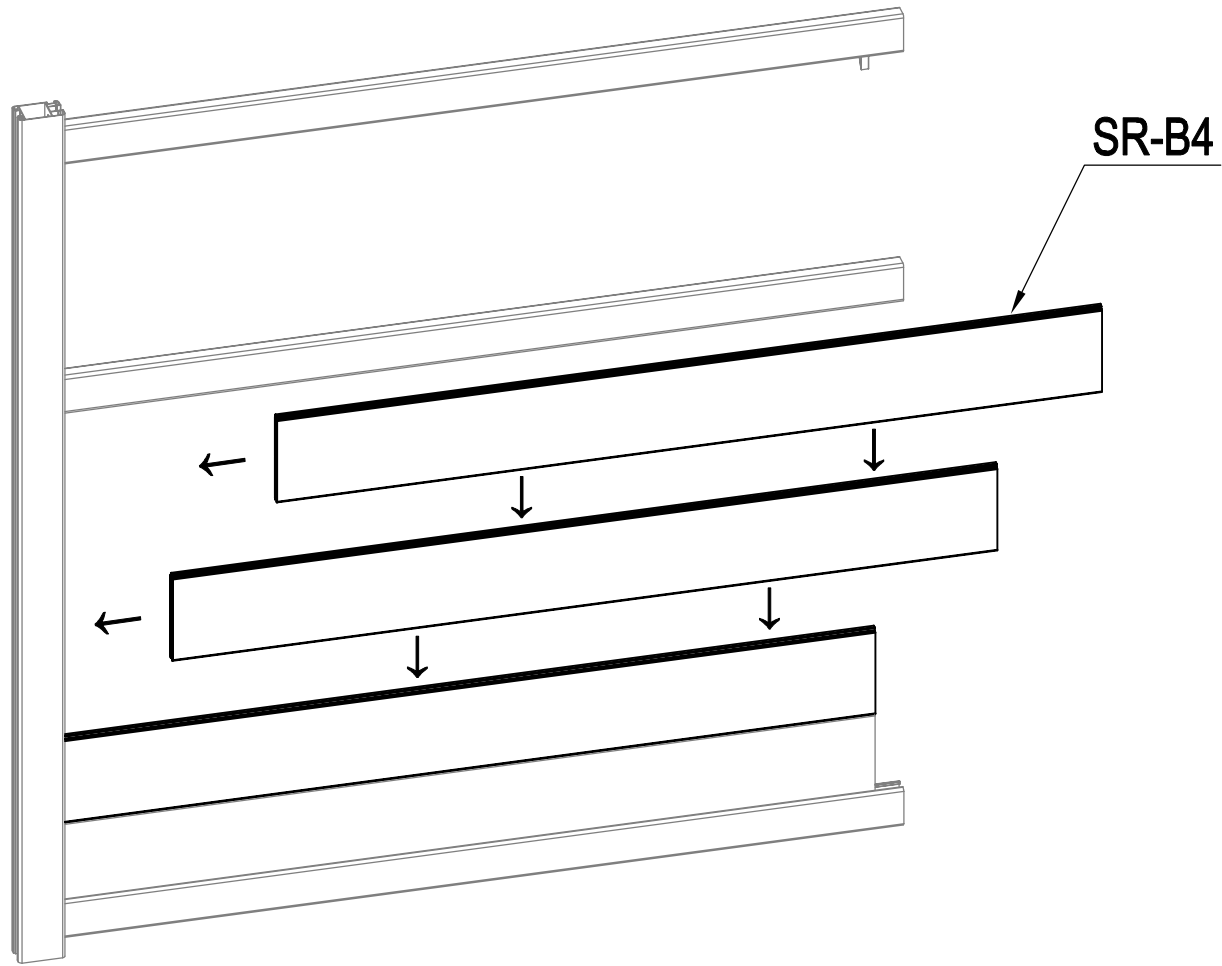
	SR-A1c	1
	SR-B3b	1
	SR-B3c	1
	SR-B3d	1

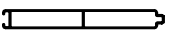


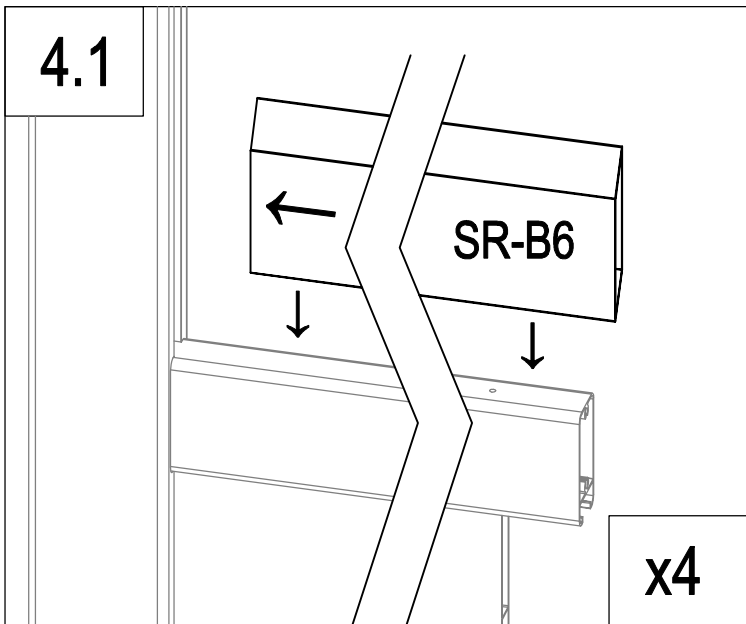
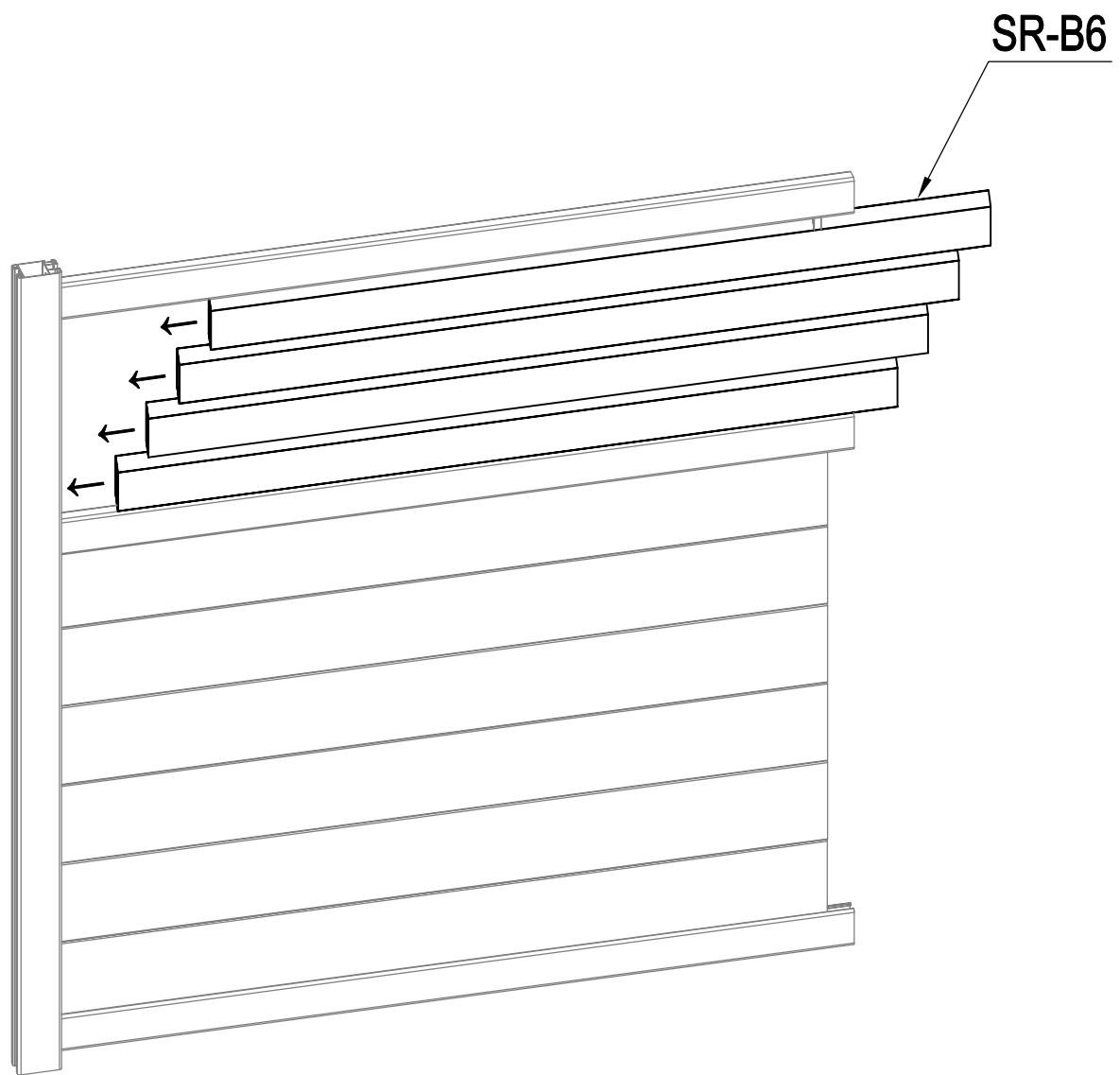
	SR-13	2
	SR-28	3
	SR-J35	4
	SR-J32	6

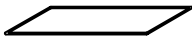


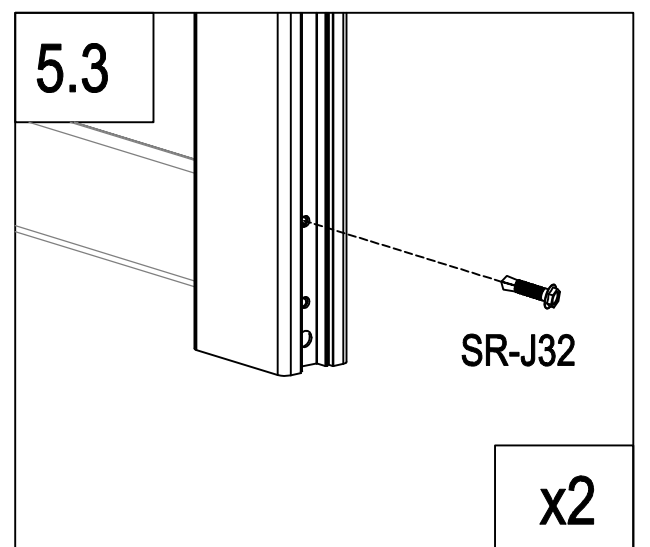
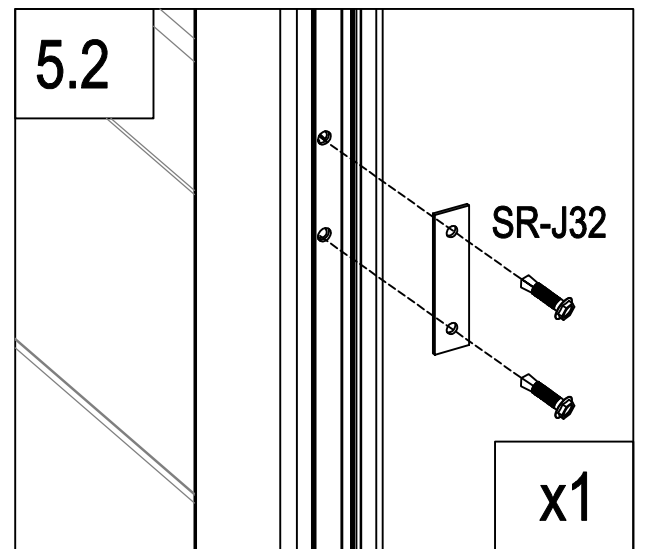
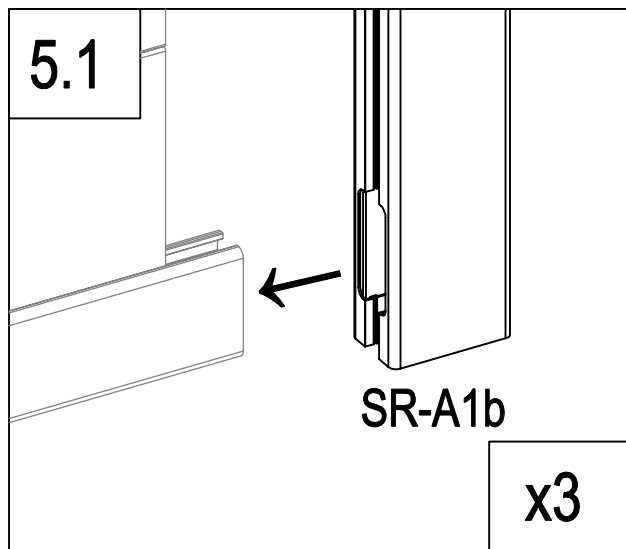
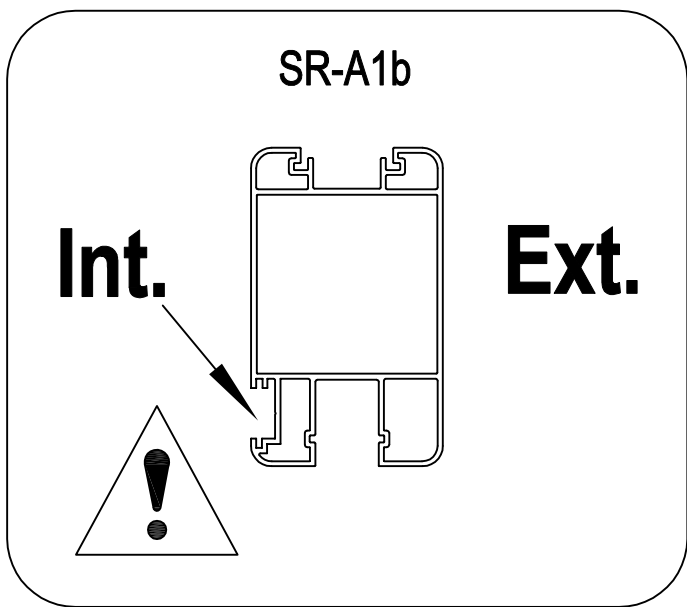
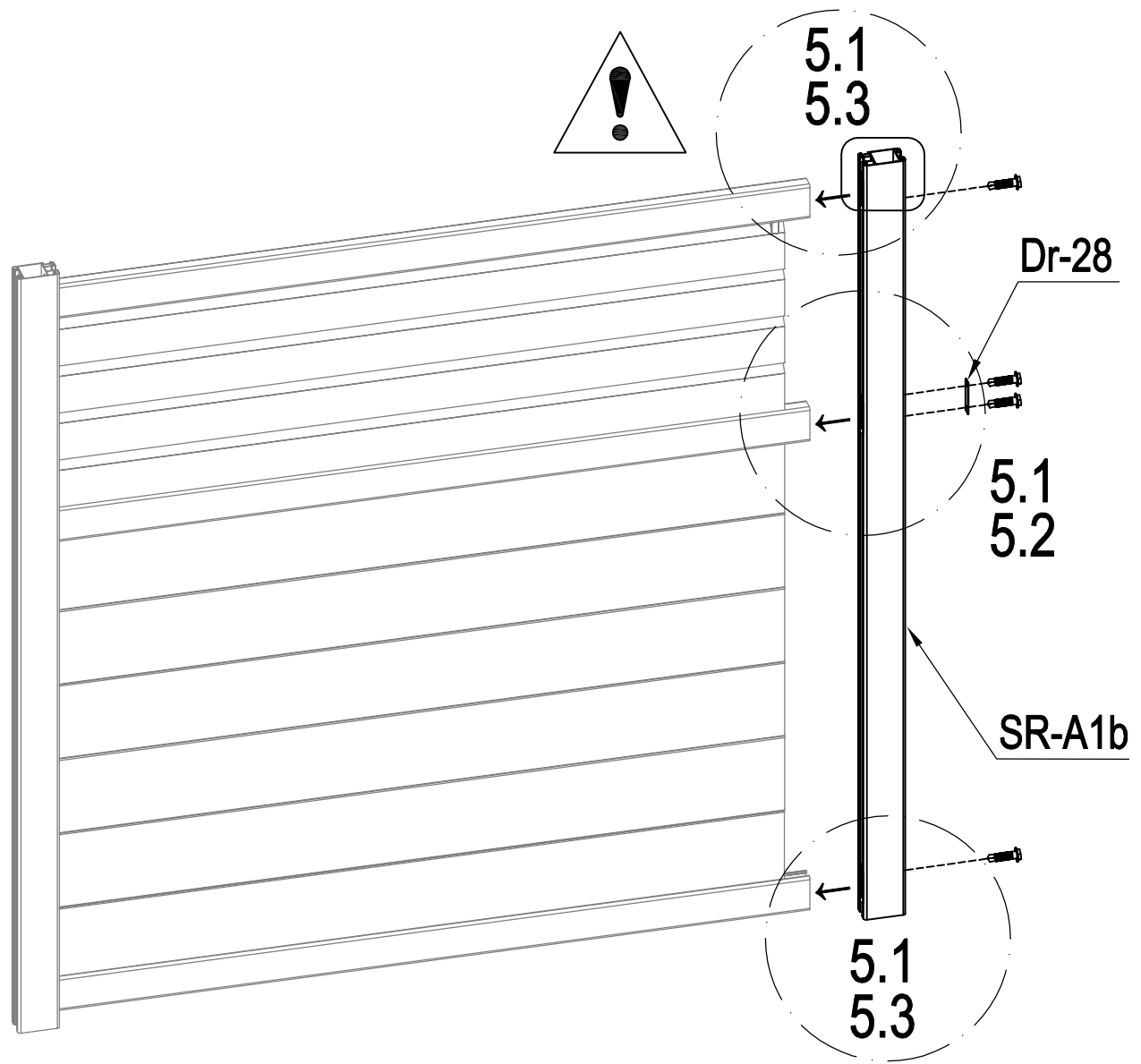
	SR-B4a	1
---	--------	---



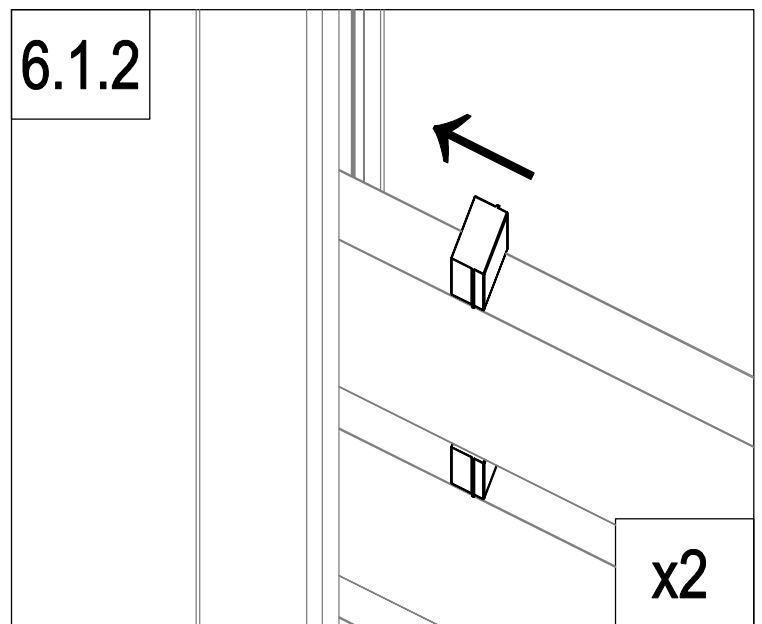
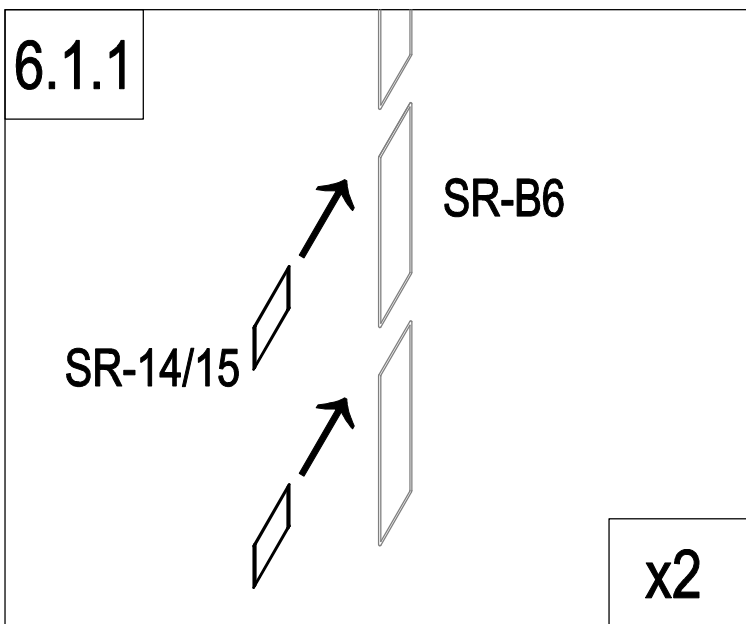
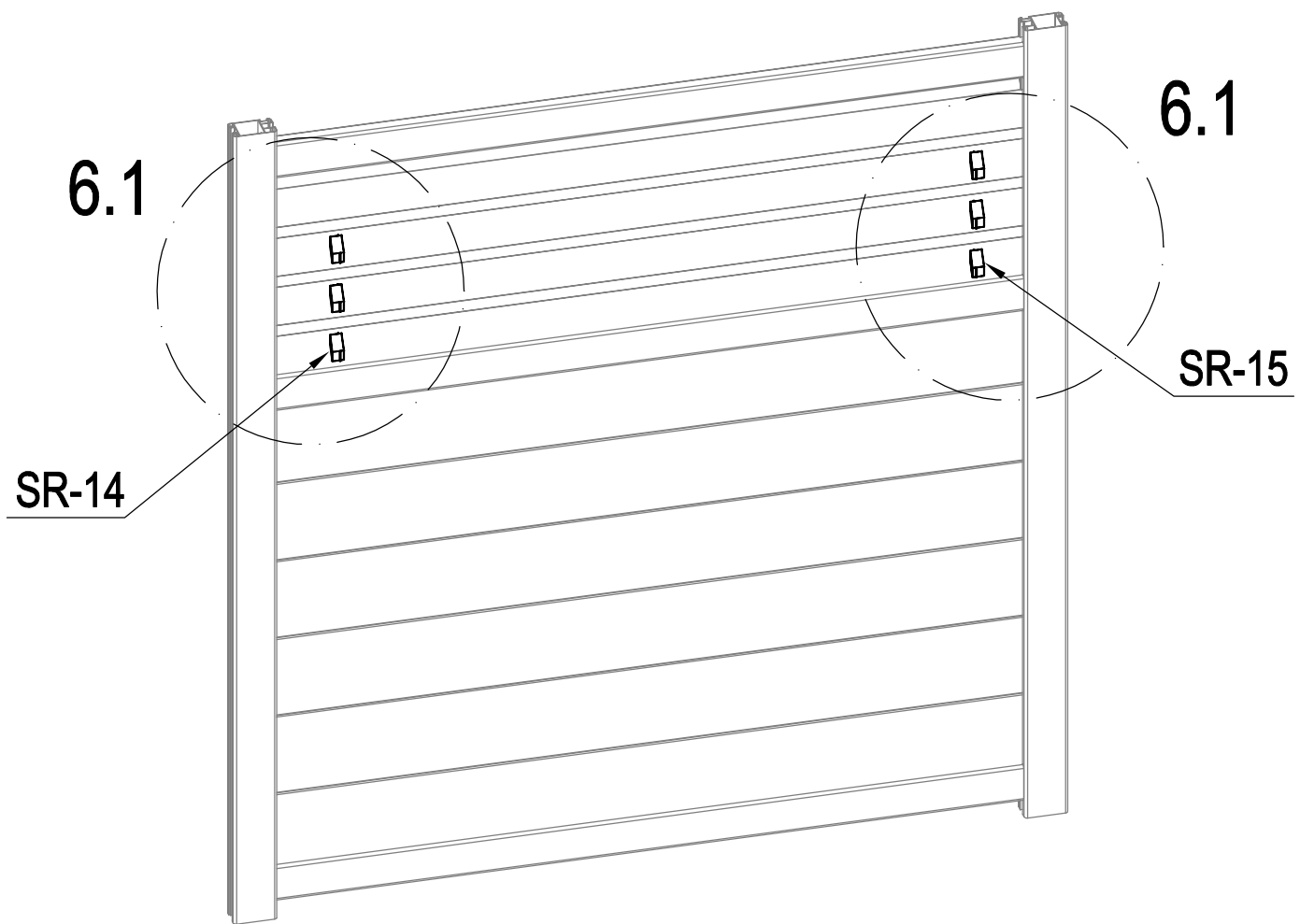
	SR-B4	5
---	-------	---





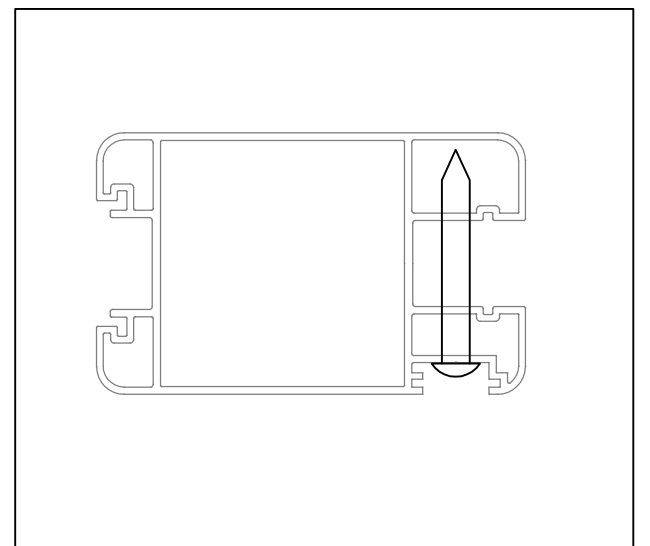
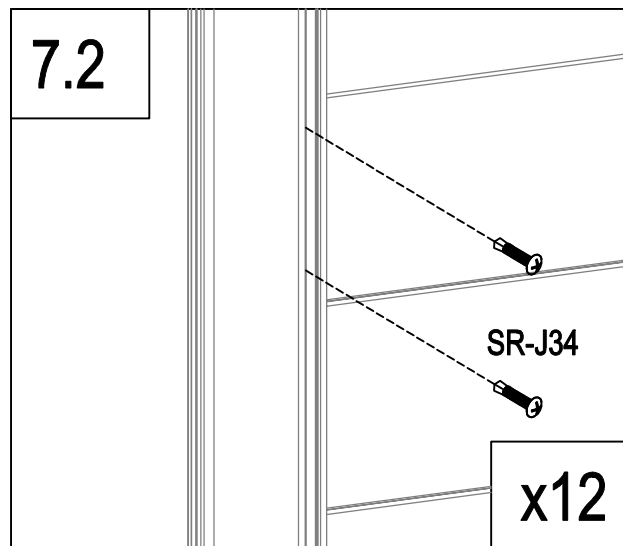
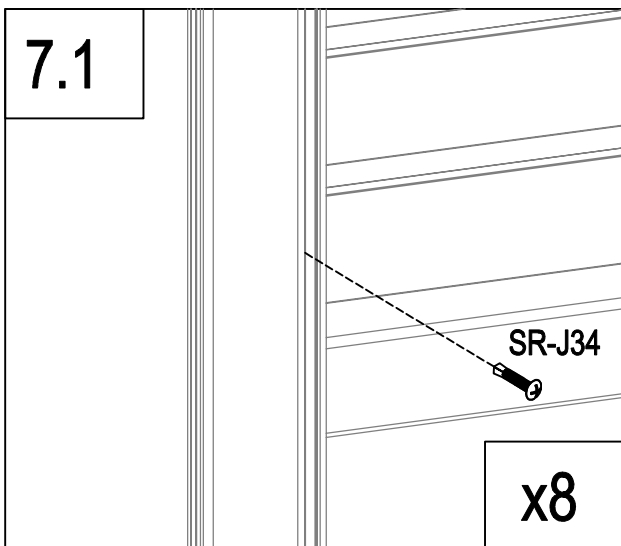
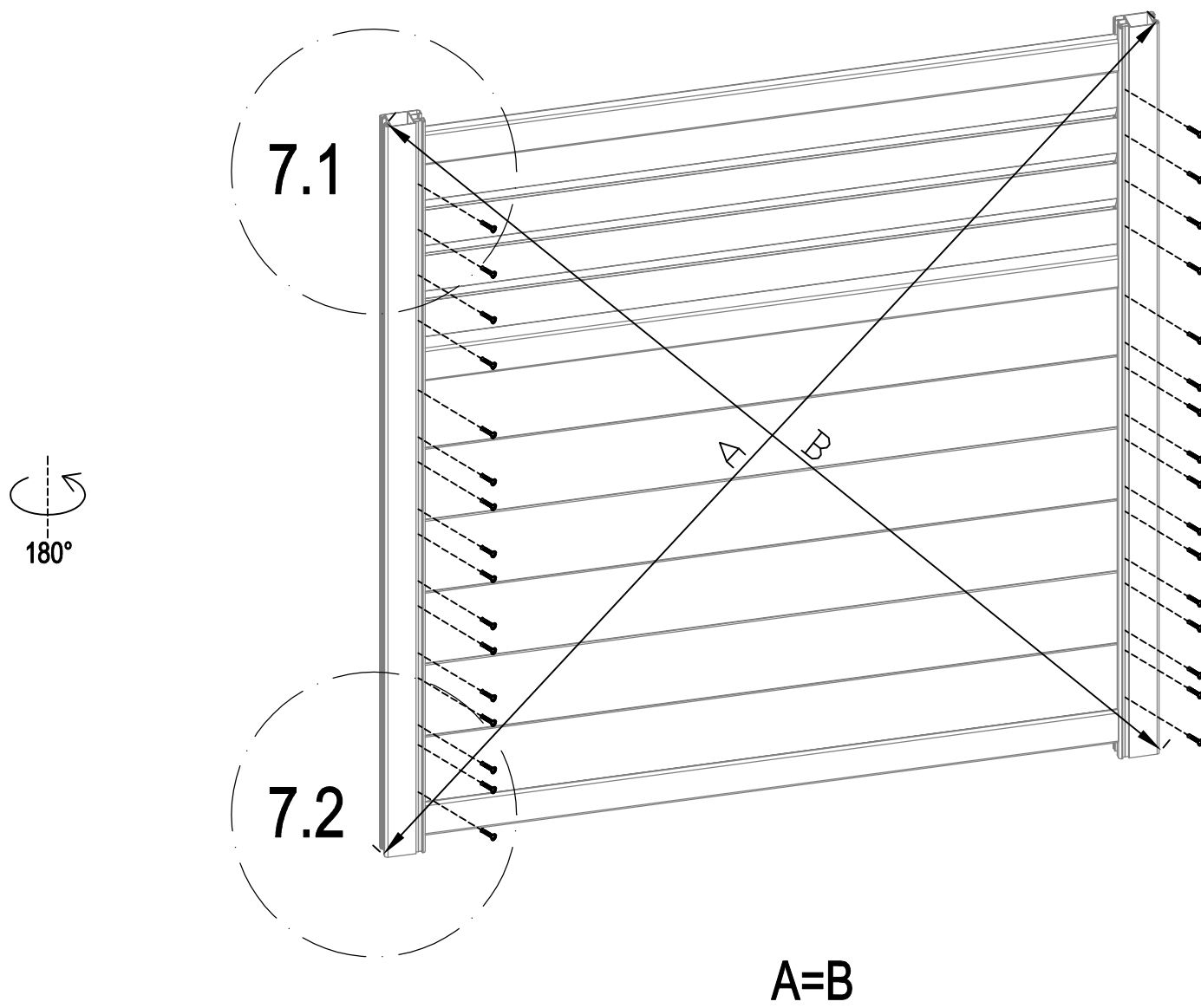
	SR-B6	4
---	-------	---




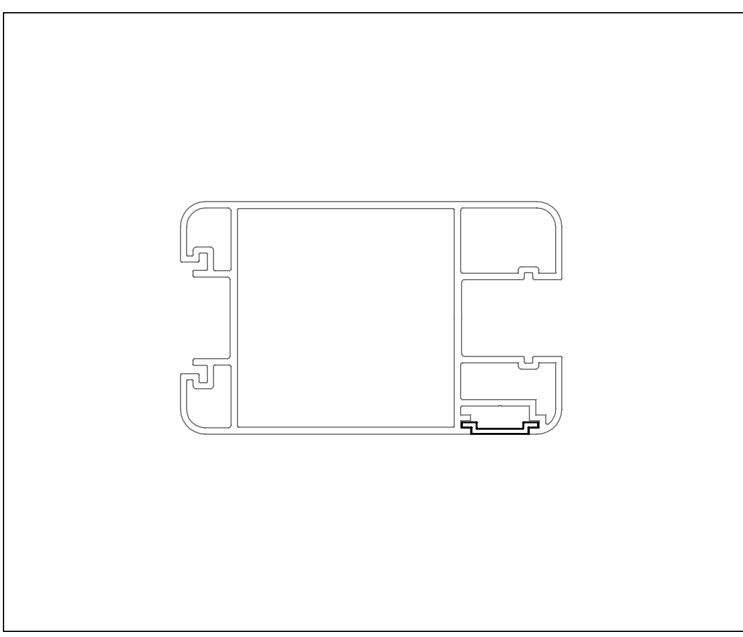
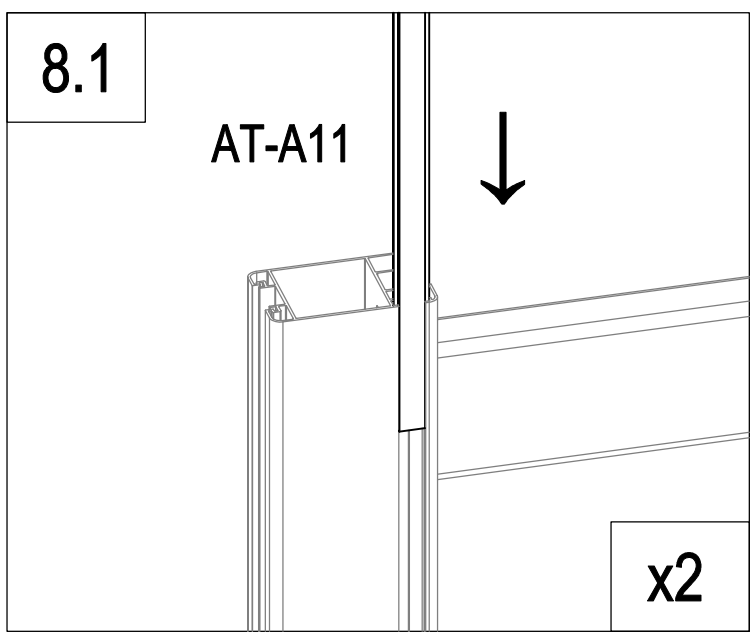
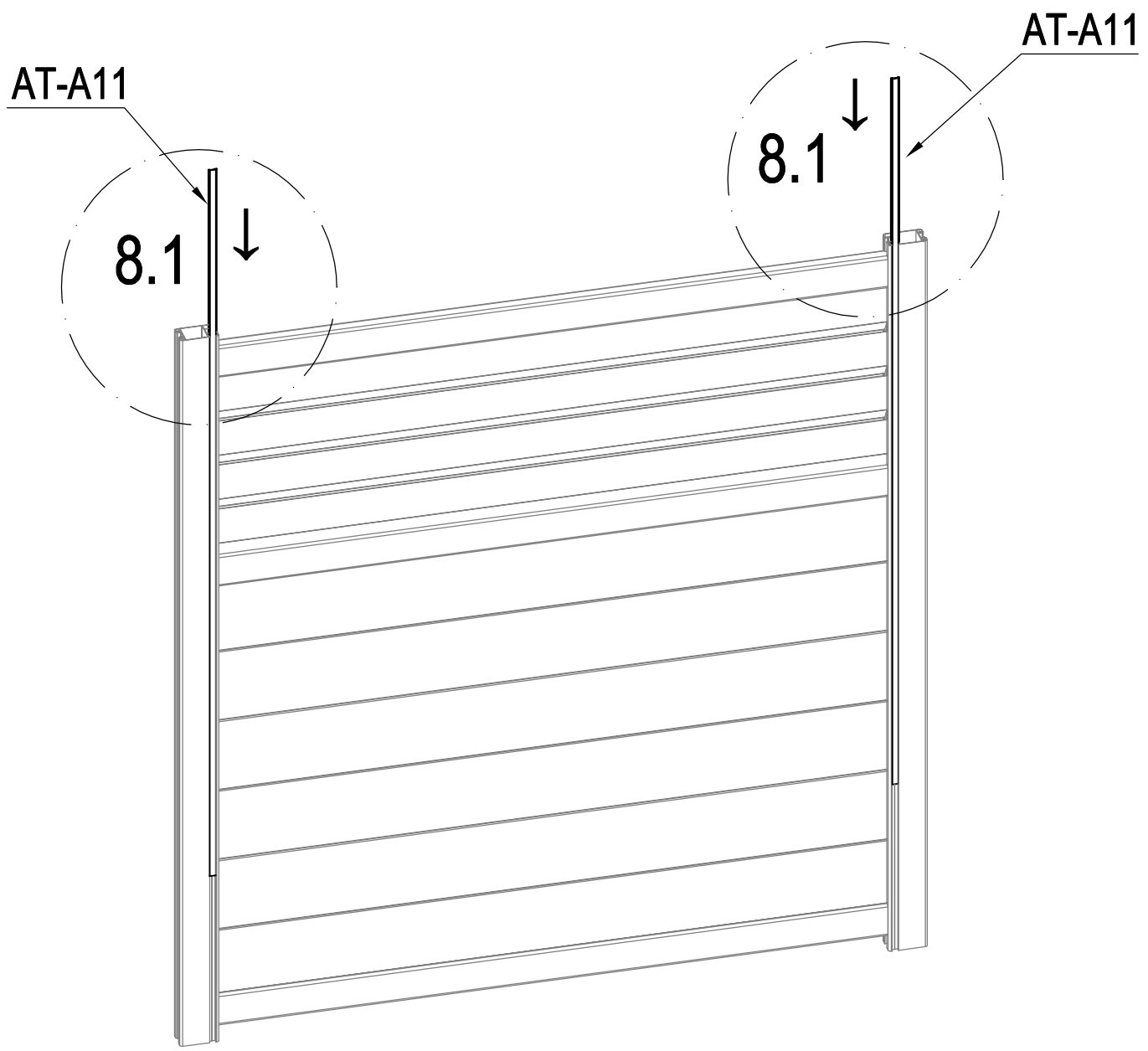
	SR-A1b	1
	Dr-28	1
	SR-J32	4

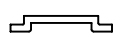


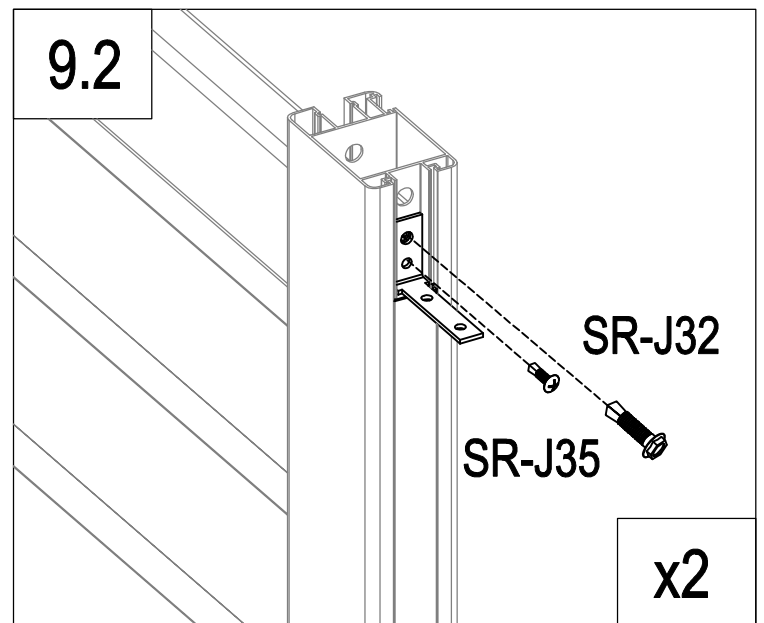
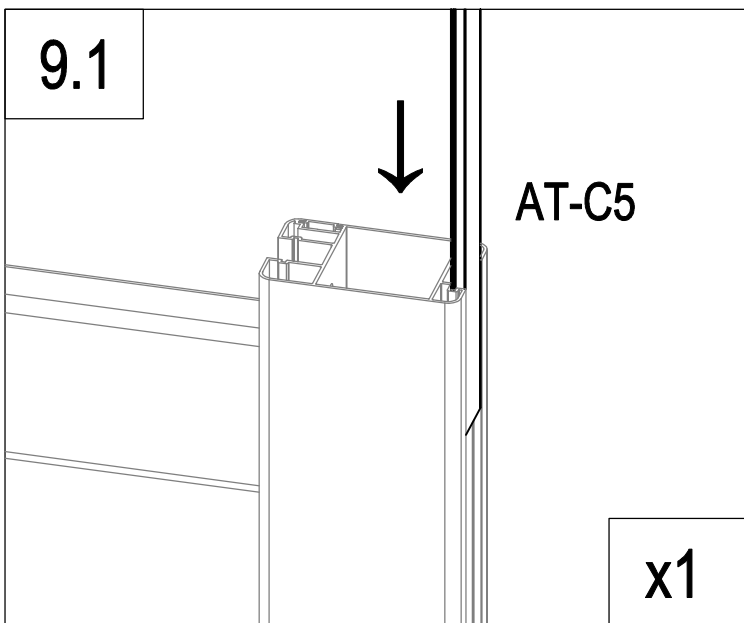
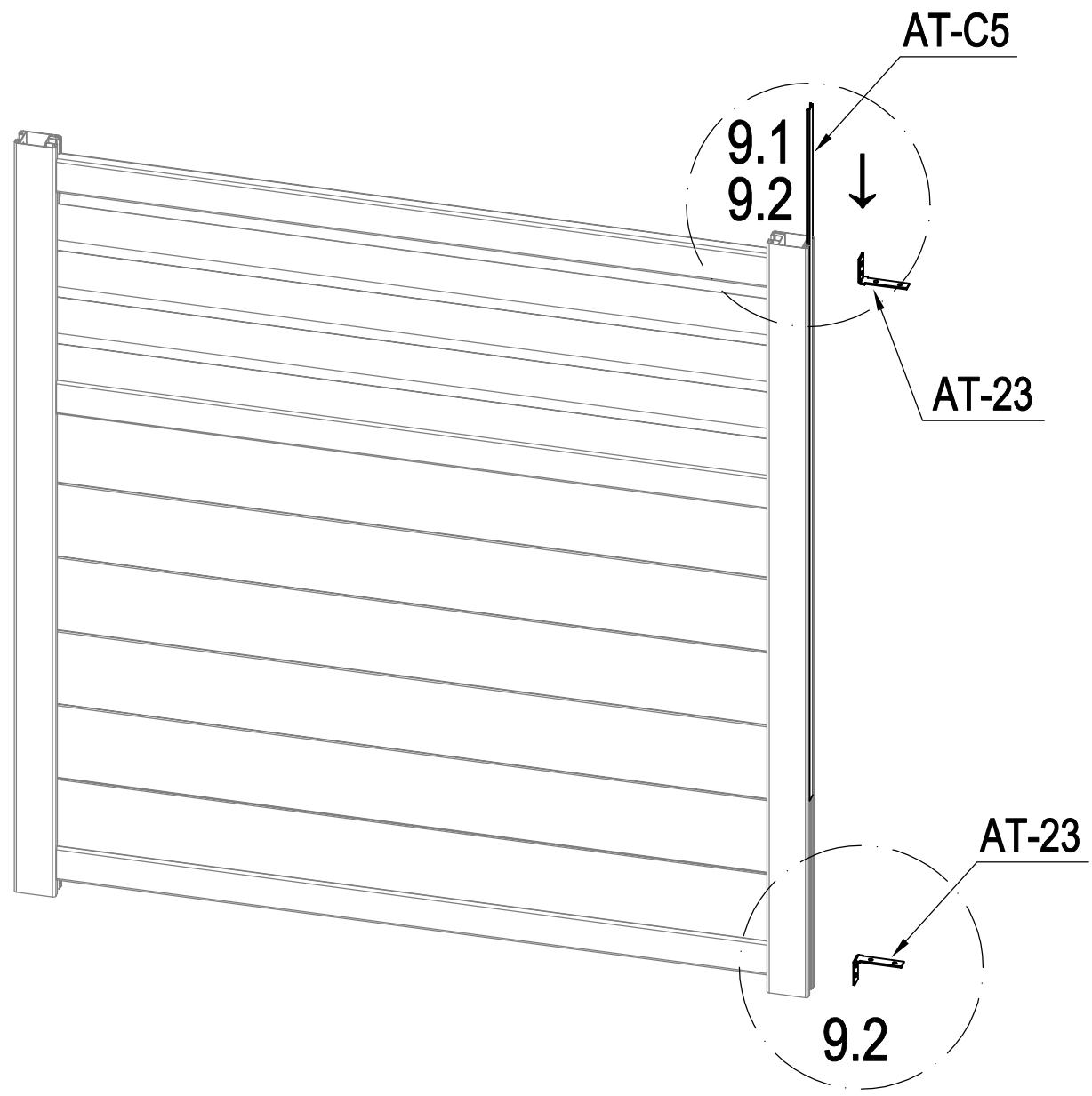
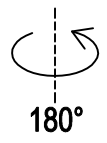
	SR-14	3
	SR-15	3



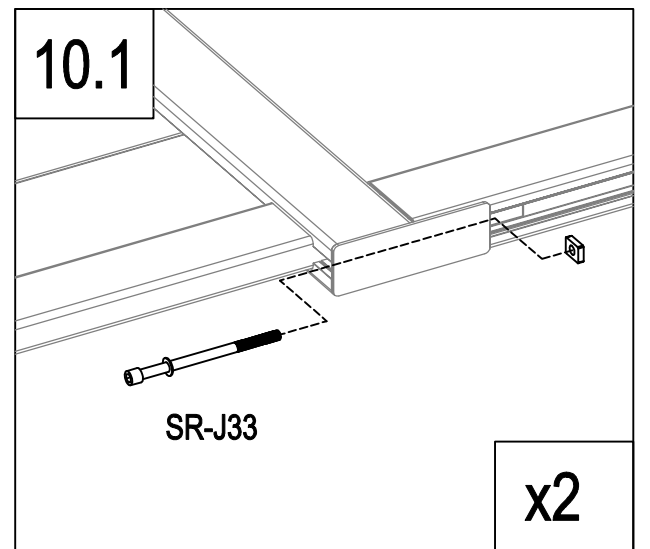
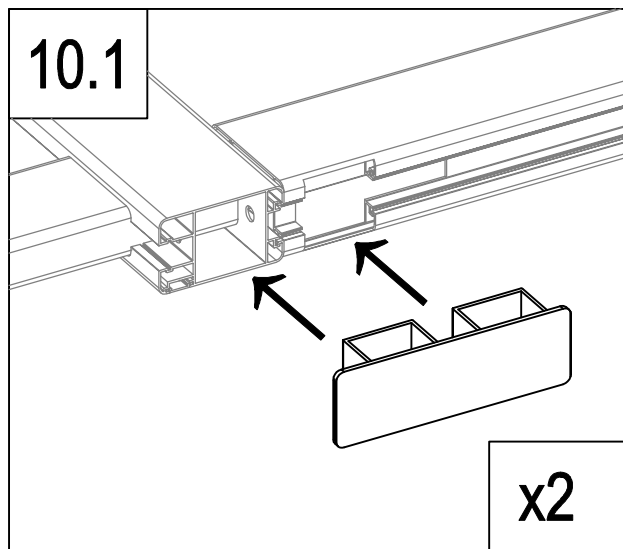
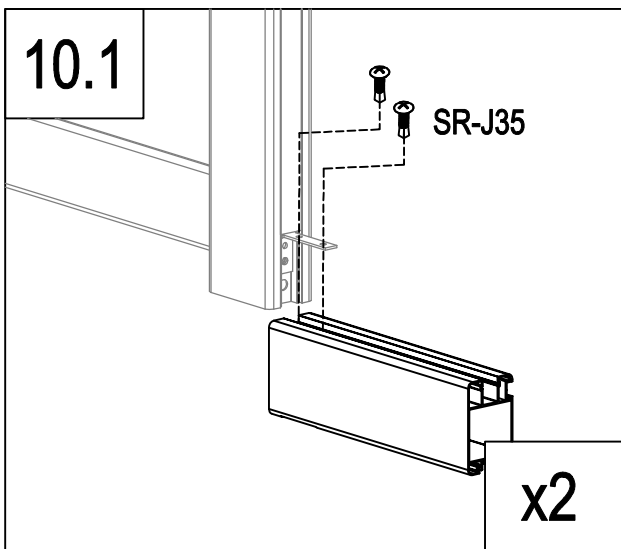
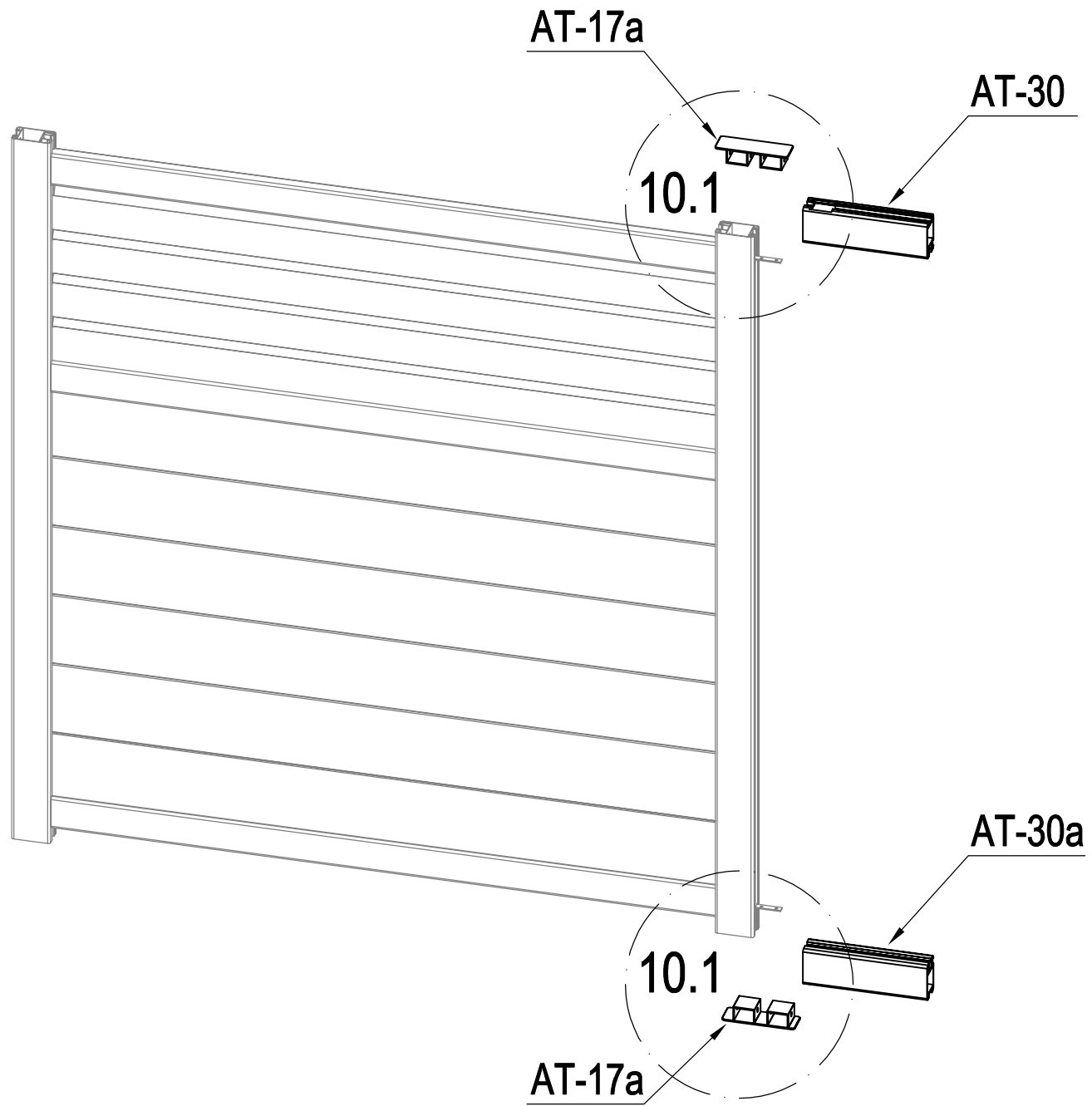
	SR-J34	32
---	--------	----

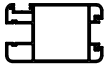
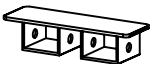




	<p>AT-A11</p>	<p>2</p>
---	---------------	----------

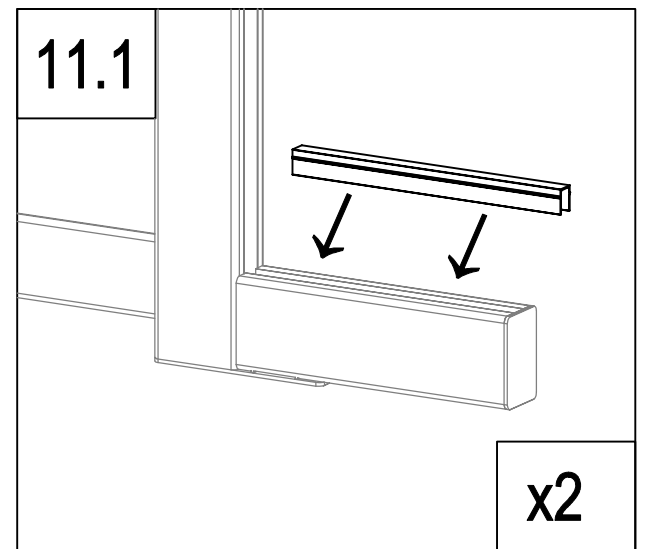
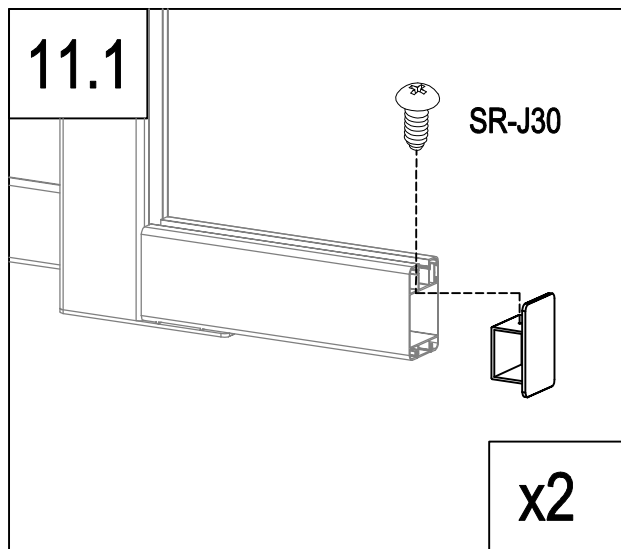
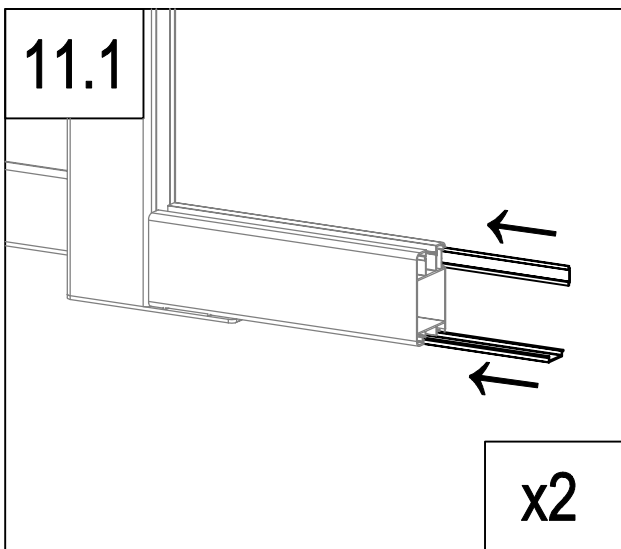
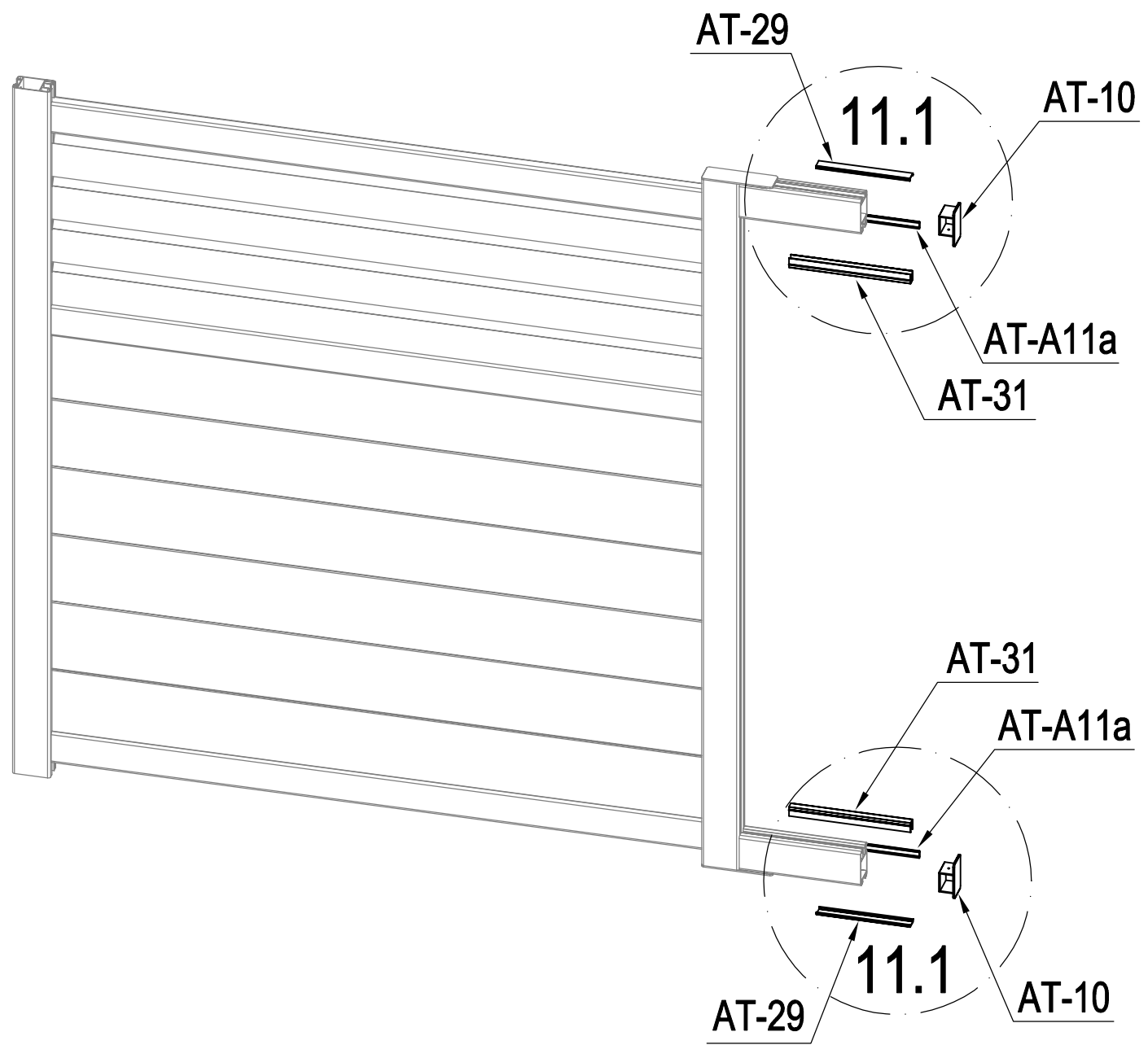


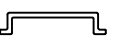
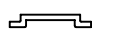
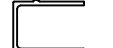
	AT-C5	1
	AT-23	2
	SR-J32	2
	SR-J35	2





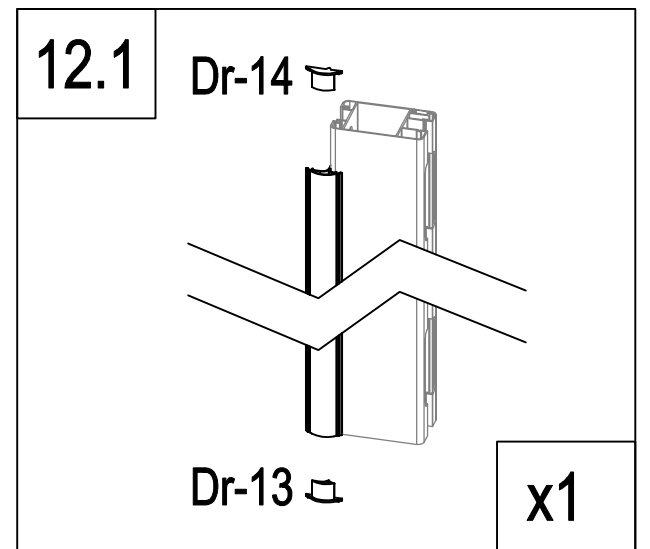
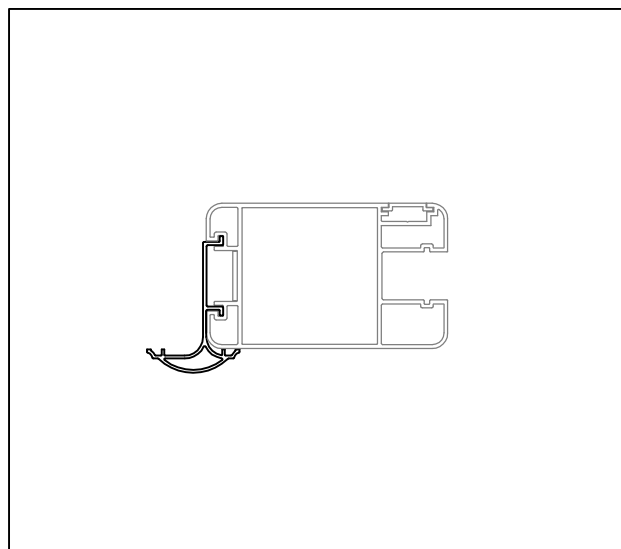
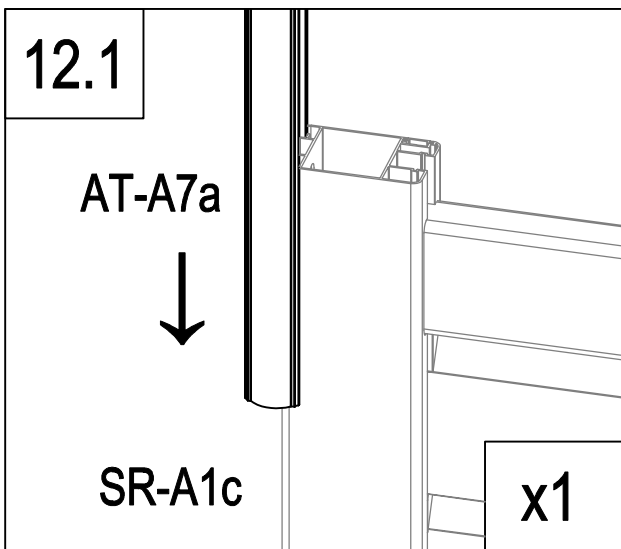
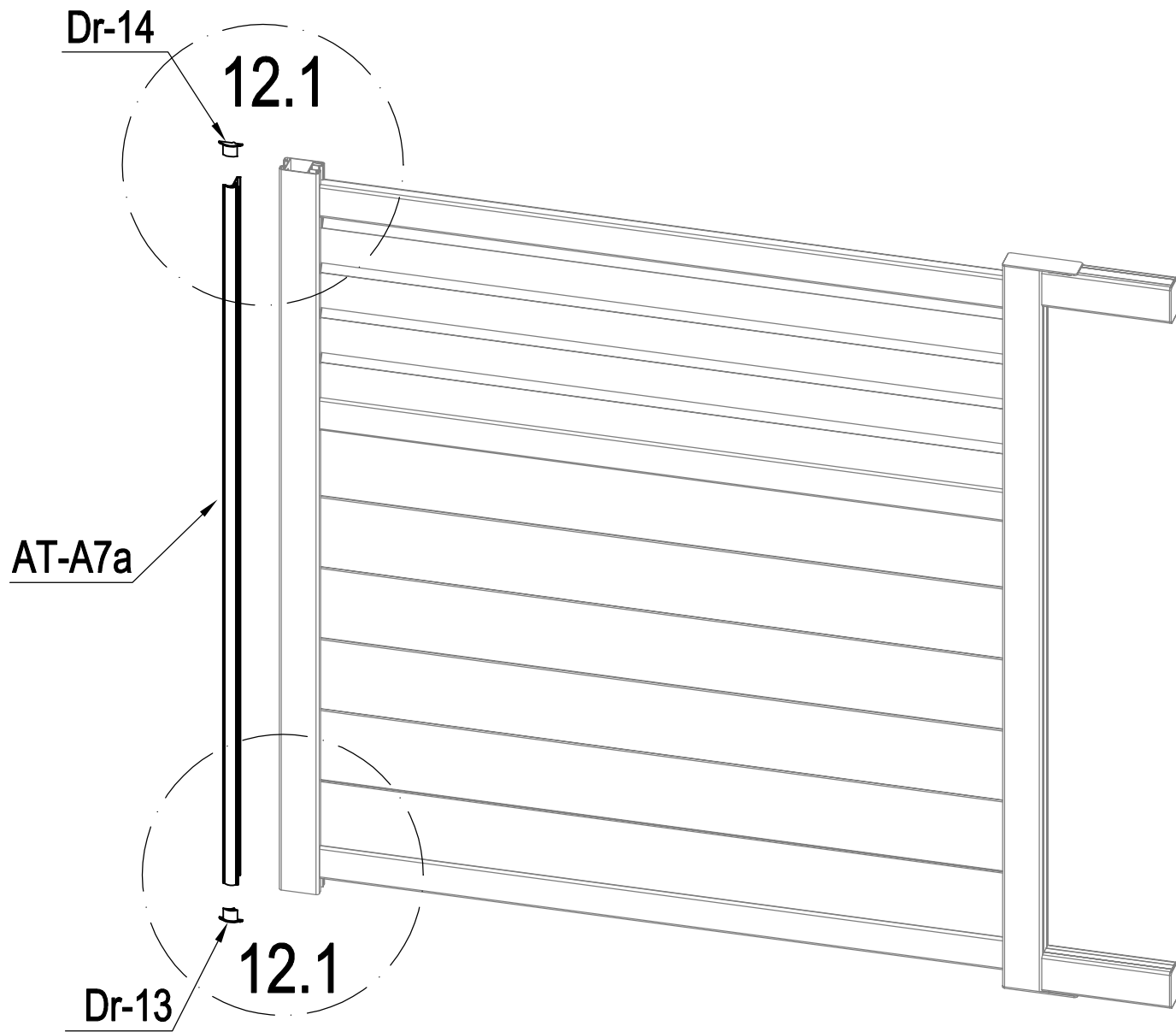
	AT-30	1
	AT-30a	1
	AT-17a	2

	SR-J33	2
	SR-J35	4

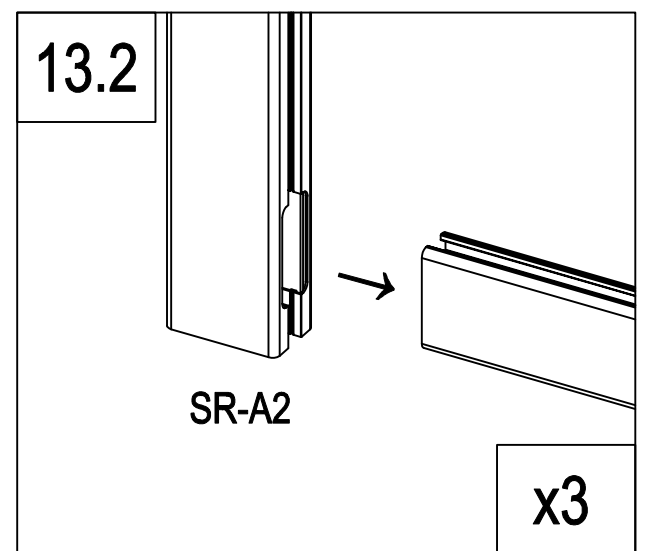
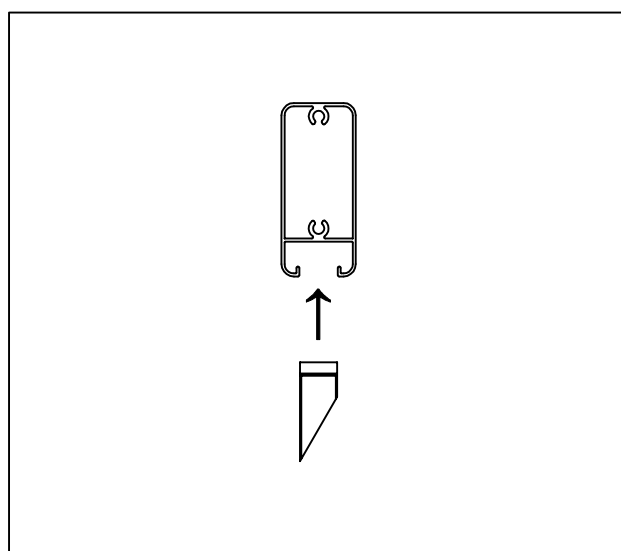
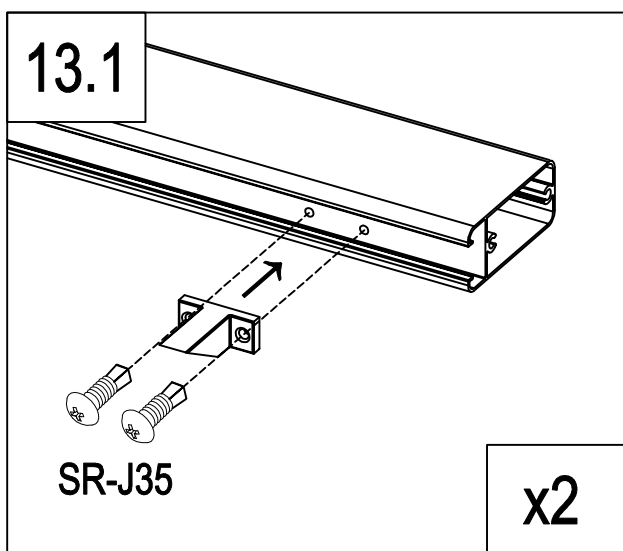
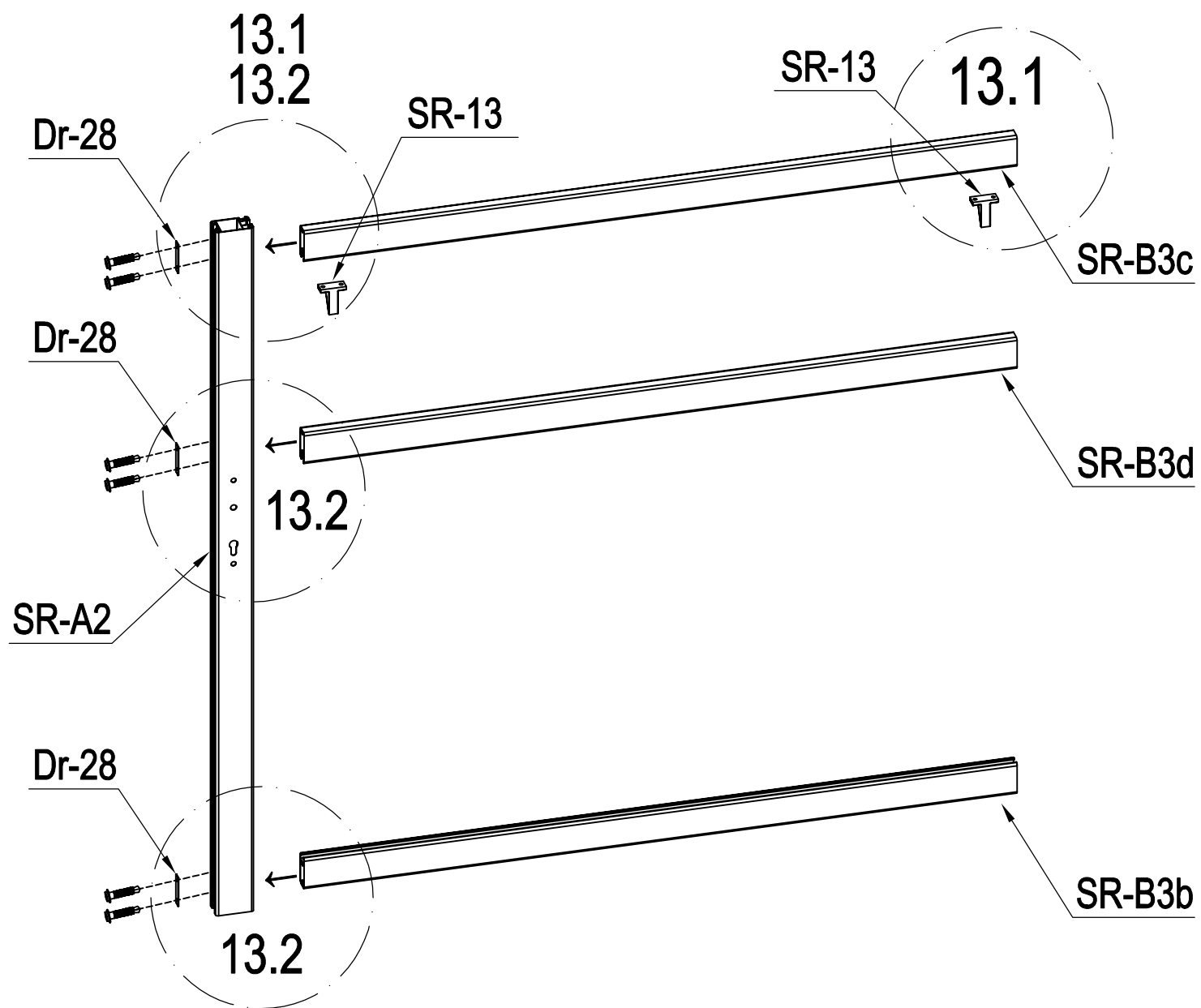


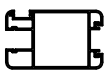
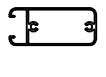
	AT-29	2
	AT-A11a	2
	AT-31	2

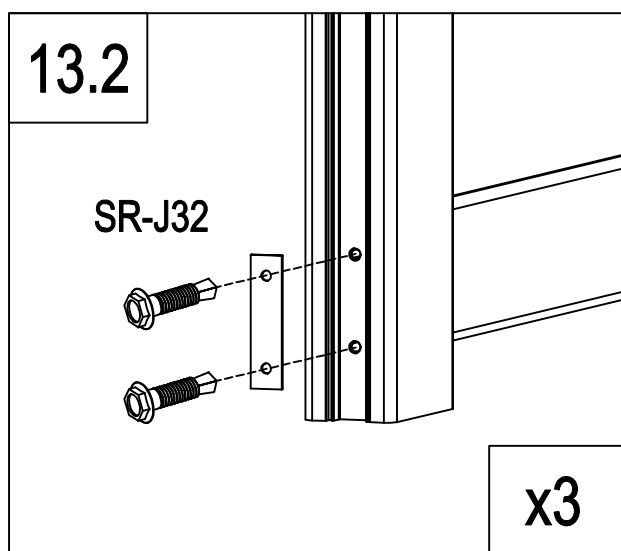
	AT-10	2
	SR-J30	2




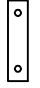

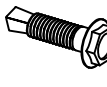
	AT-A7a	1
	Dr-13	1
	Dr-14	1

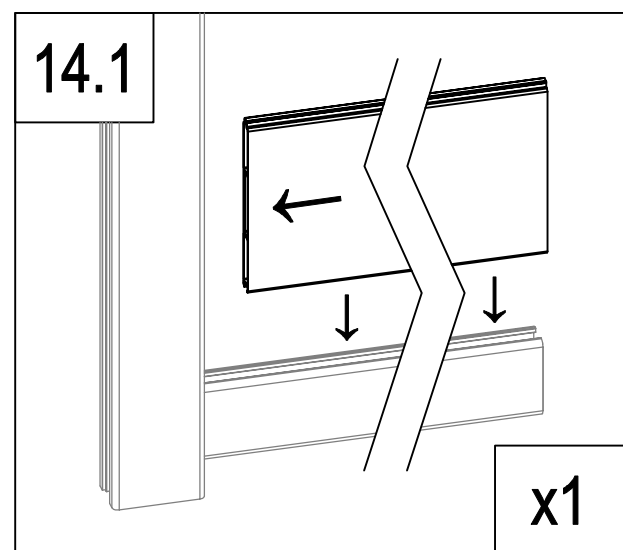
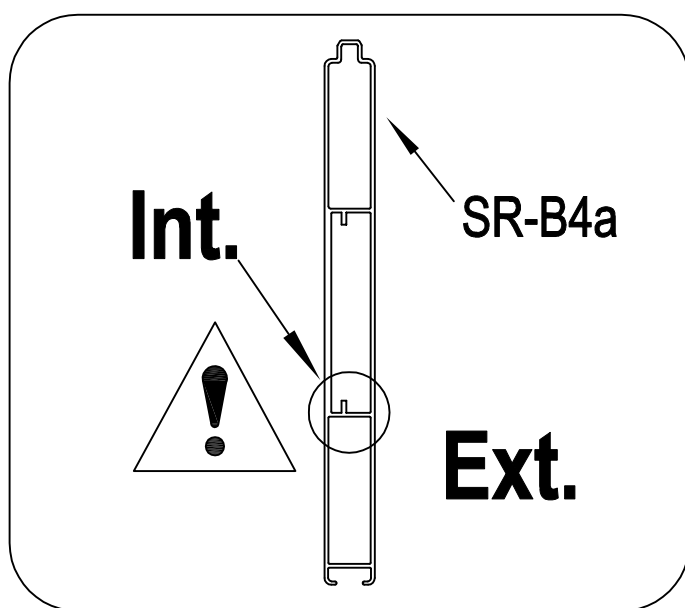
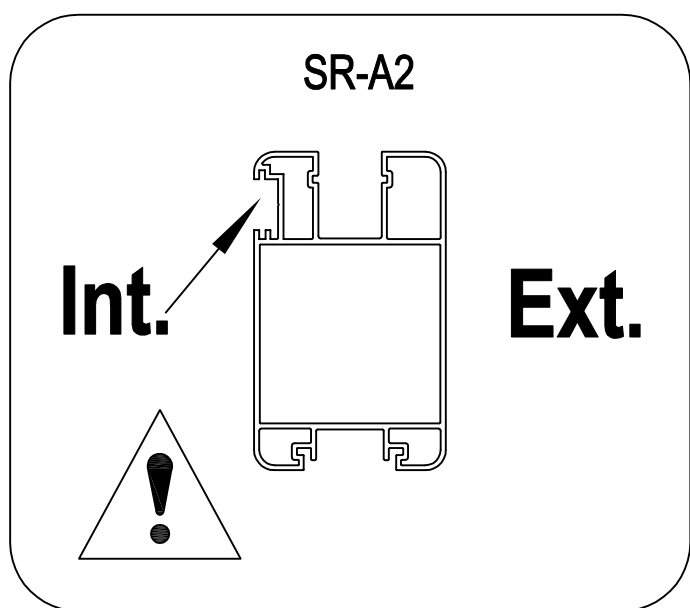
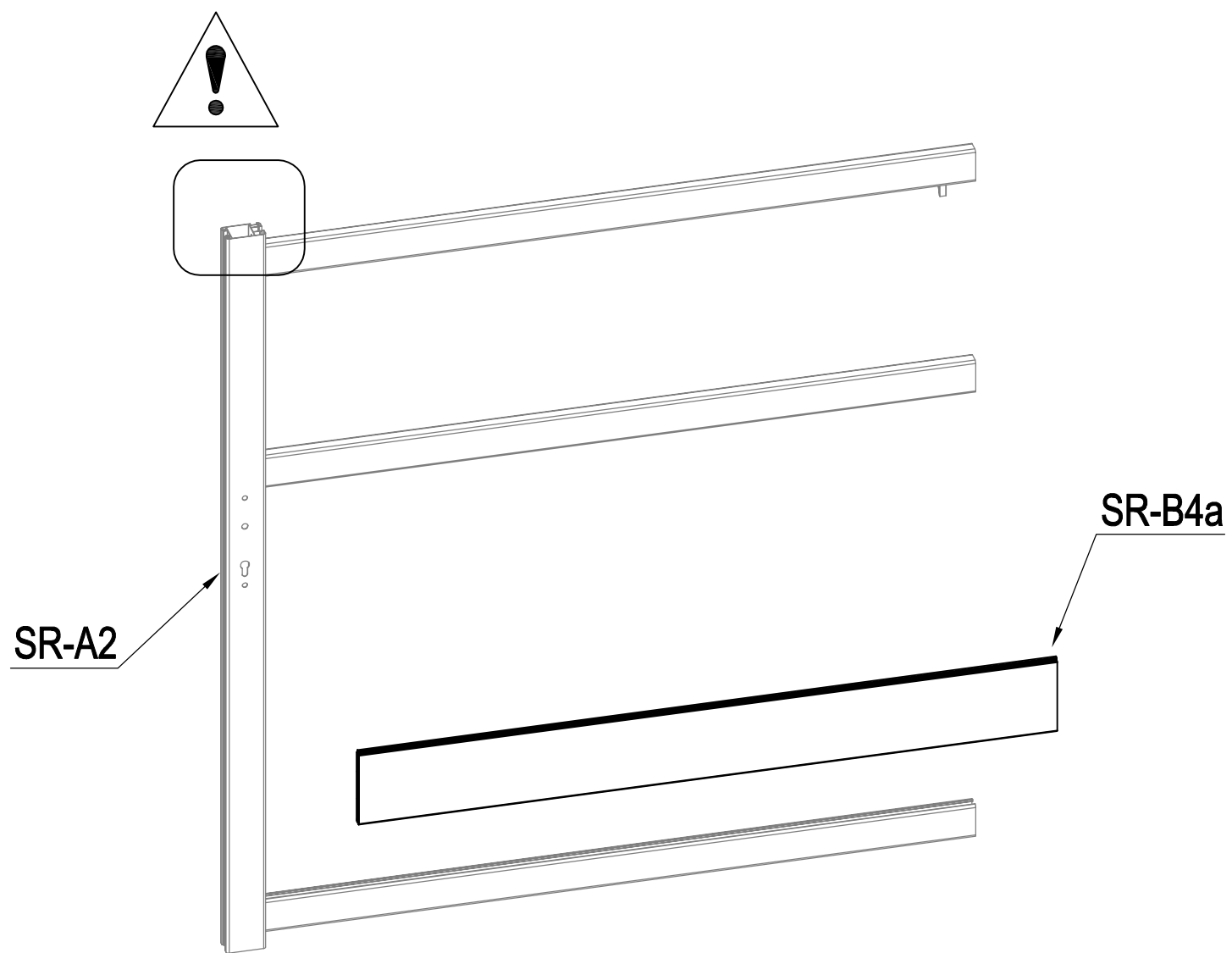


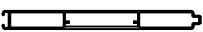
	SR-A2	1
	SR-B3b	1
	SR-B3c	1
	SR-B3d	1

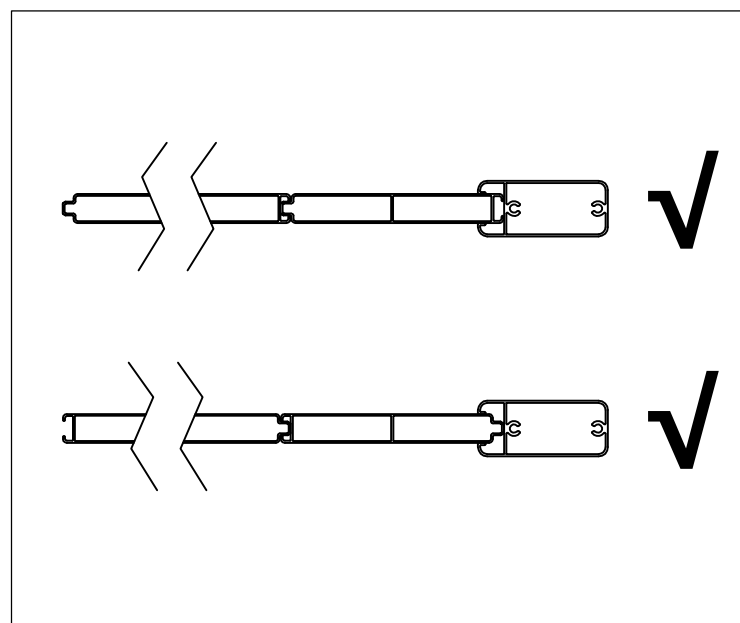
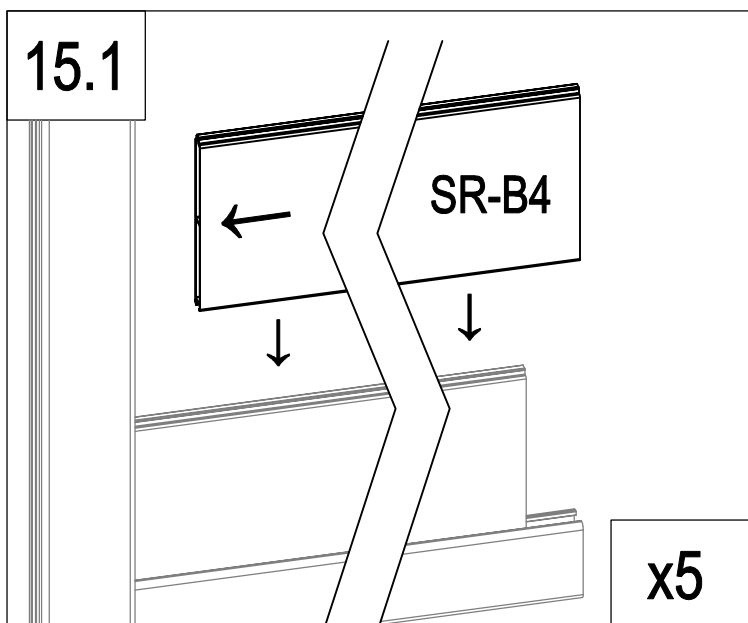
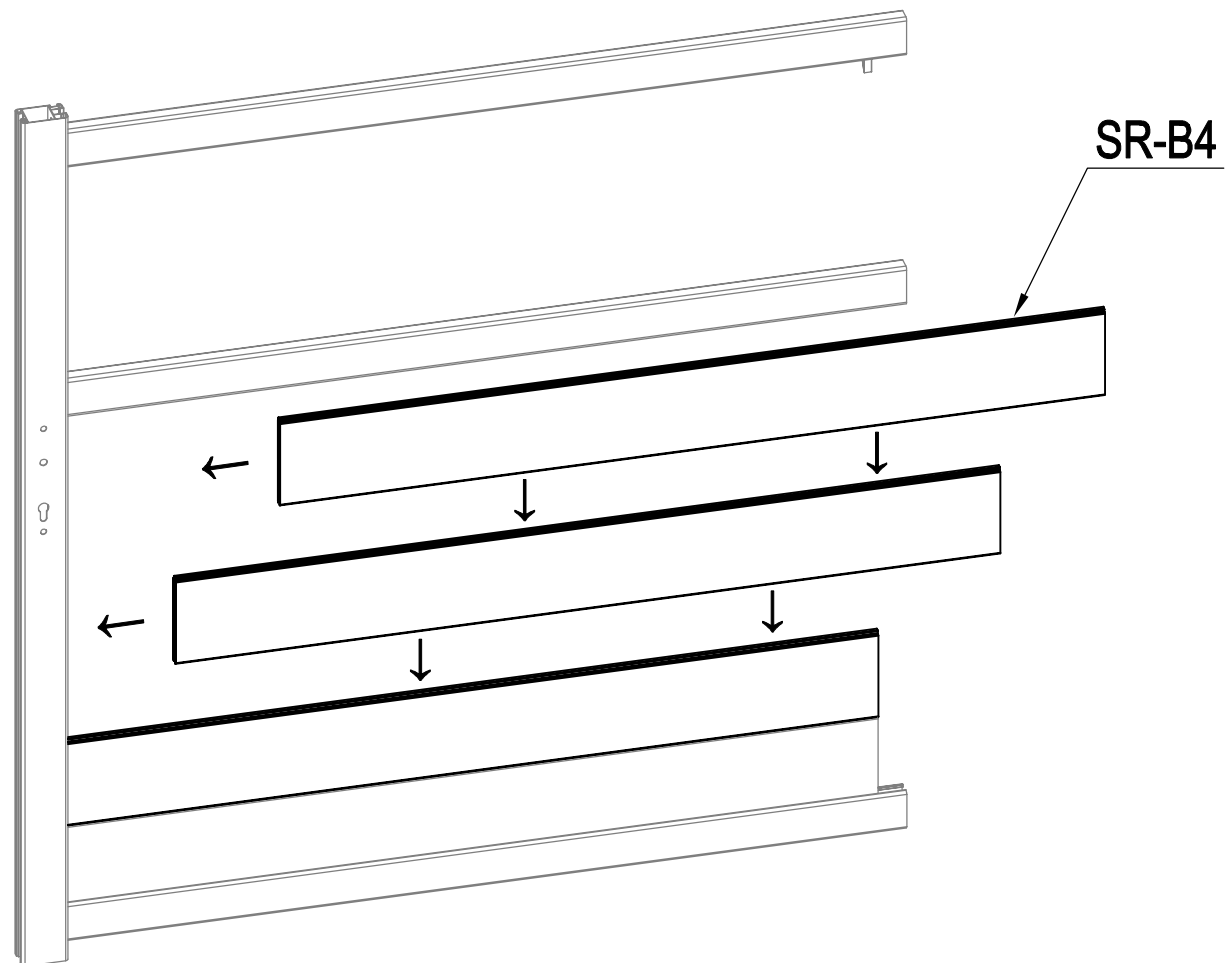


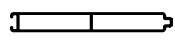
13

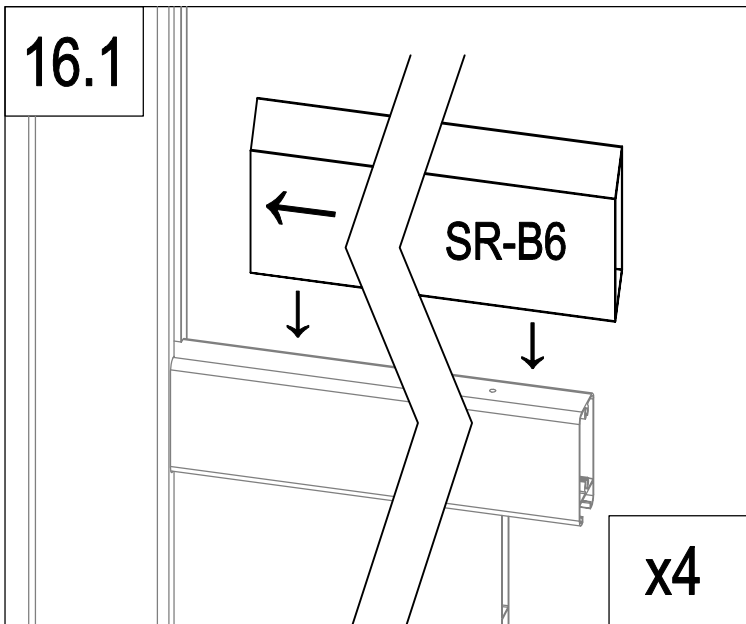
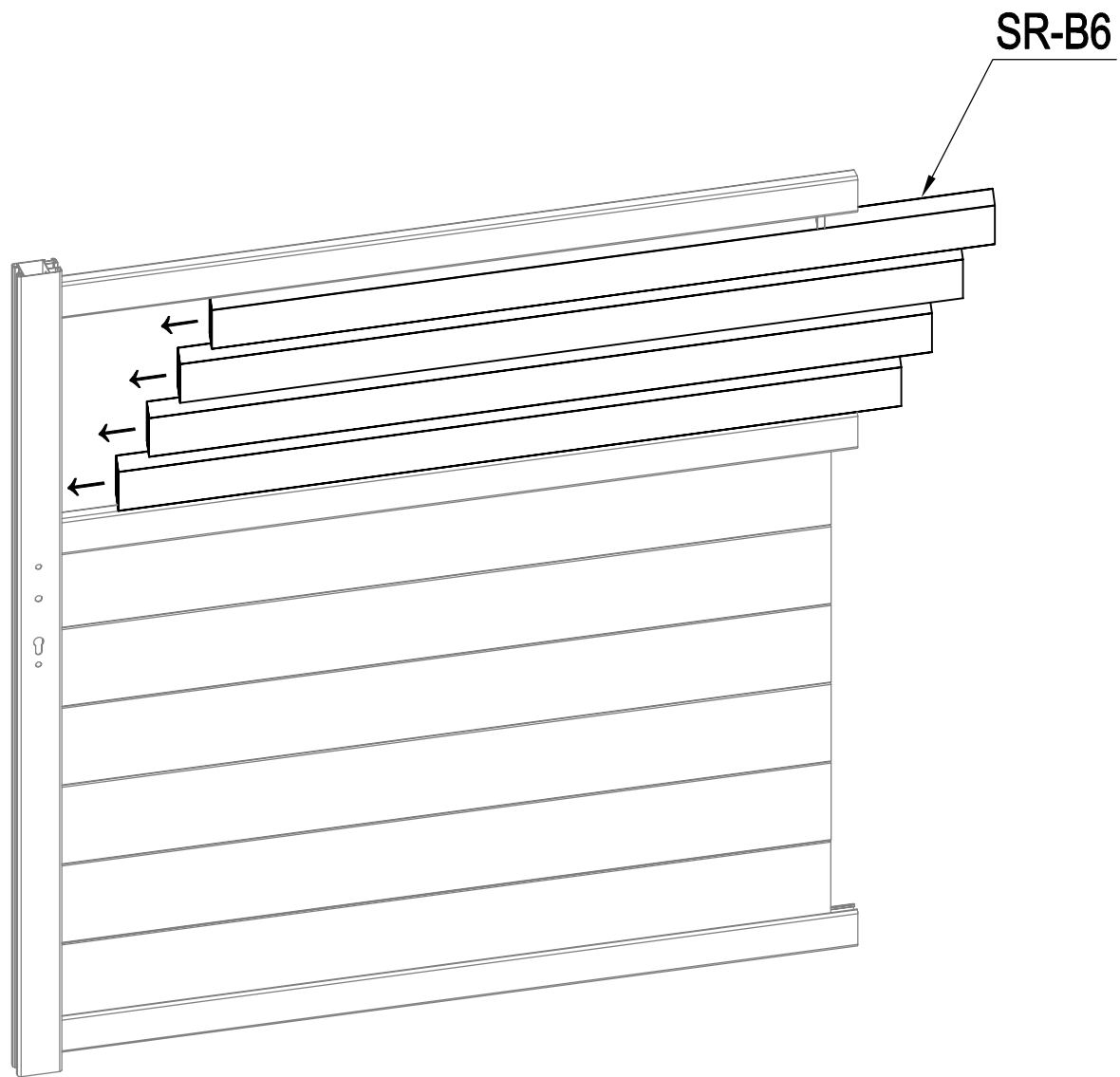
	SR-13	2
	SR-28	3
	SR-J35	4
	SR-J32	6



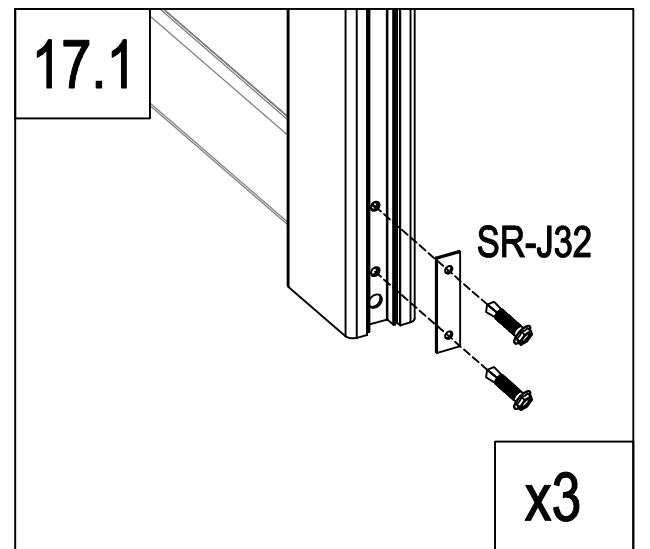
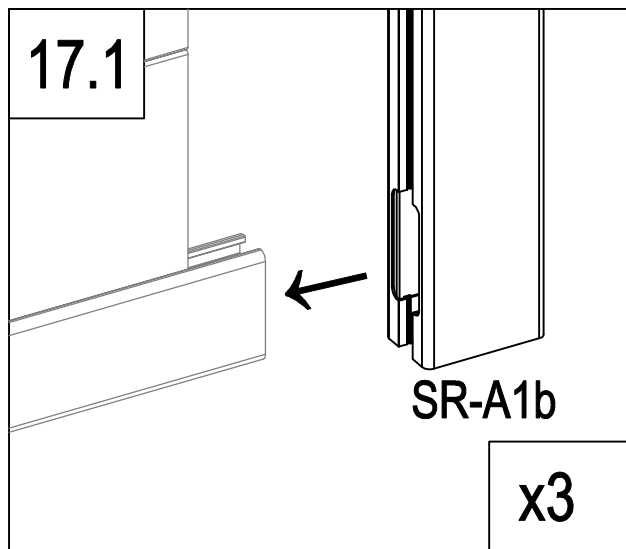
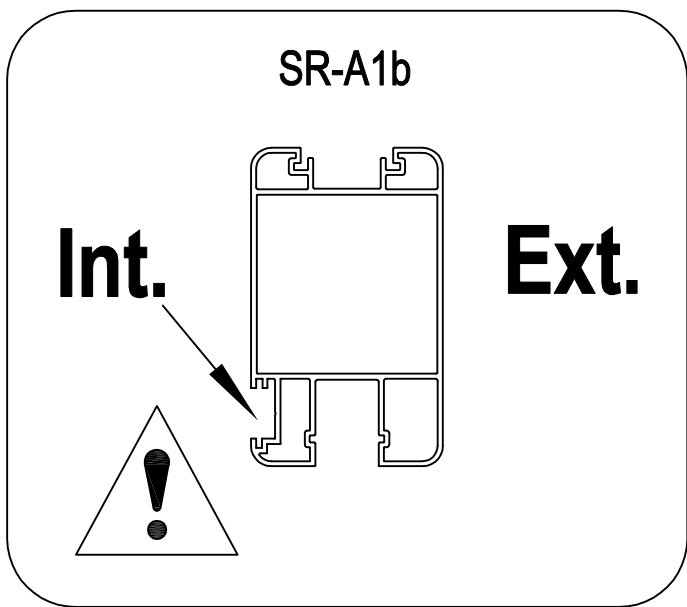
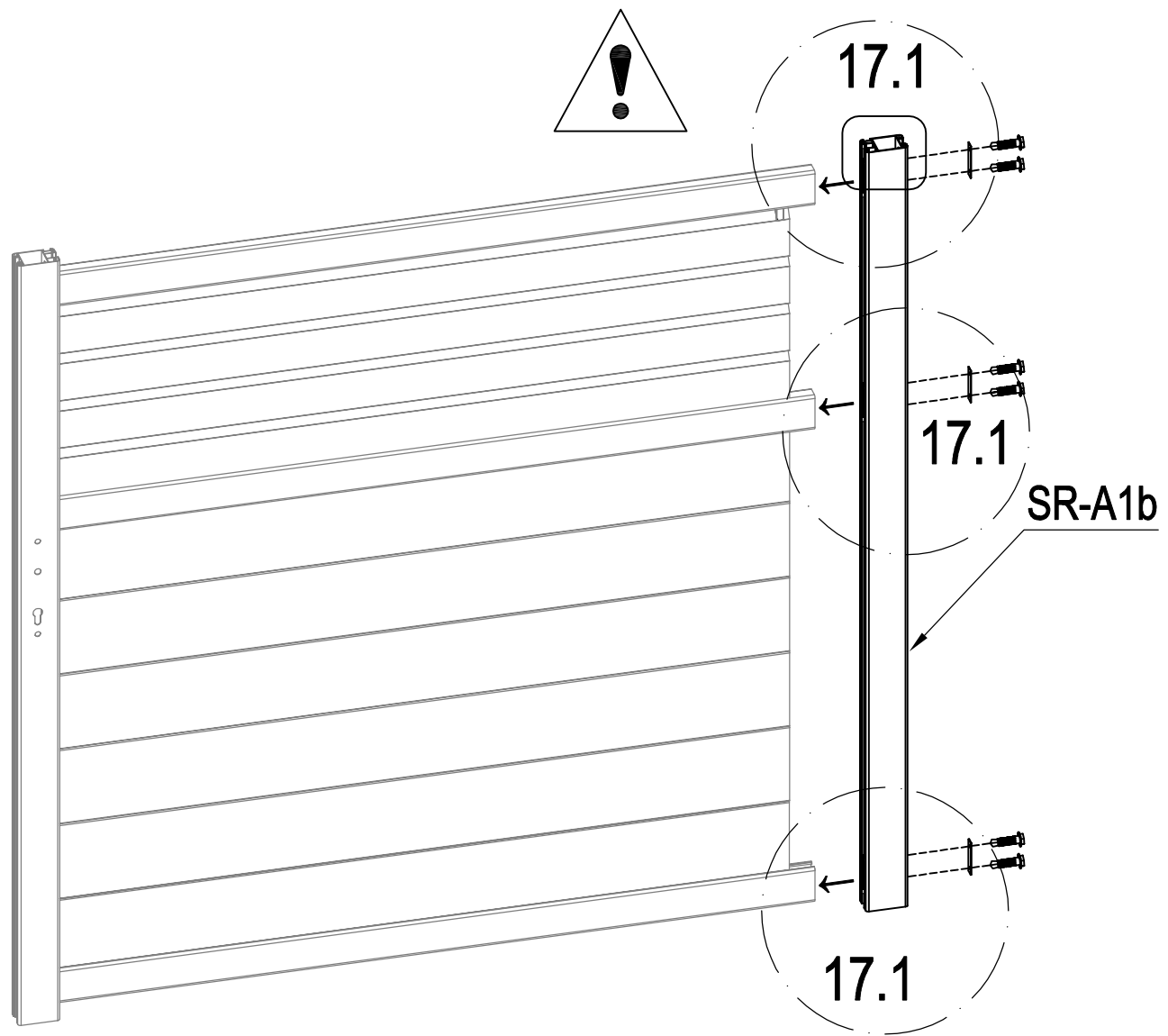
	SR-B4a	1
---	--------	---

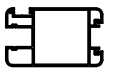

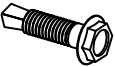


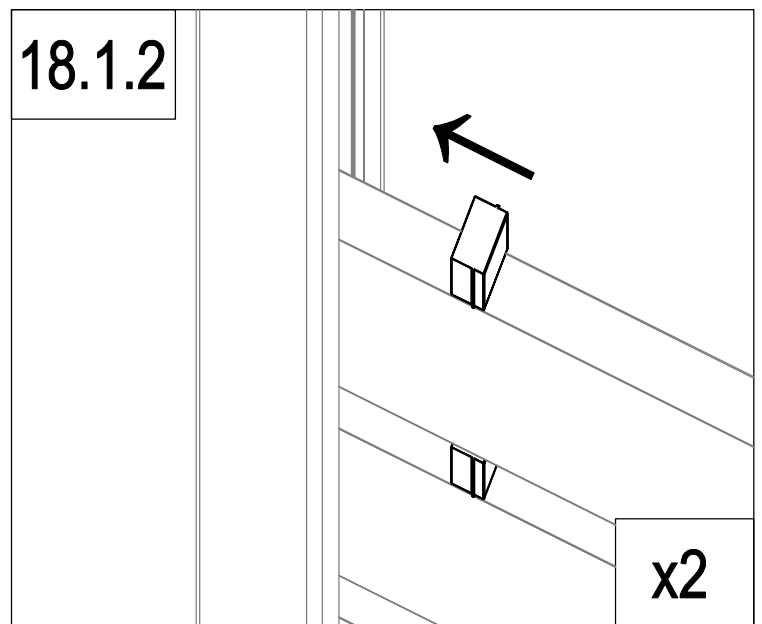
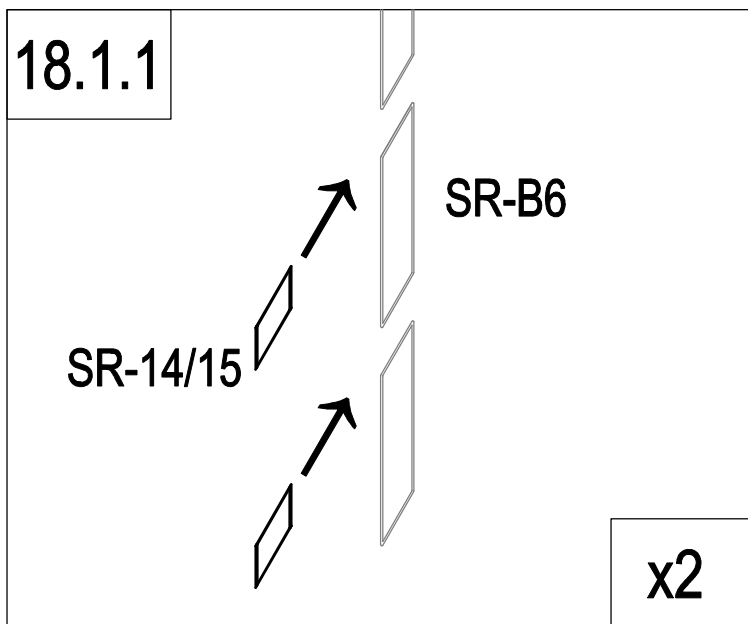
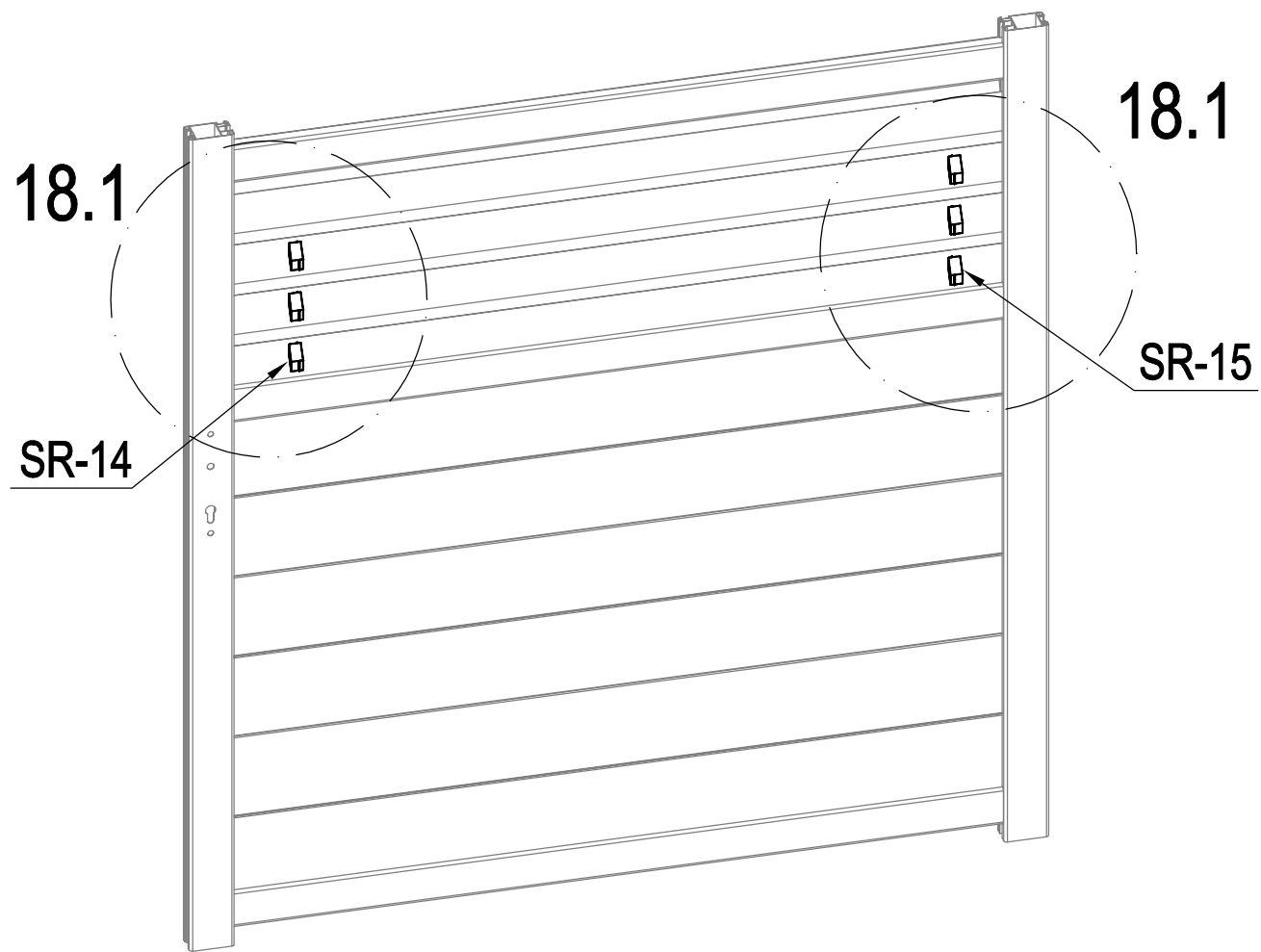
	SR-B4	5
---	-------	---





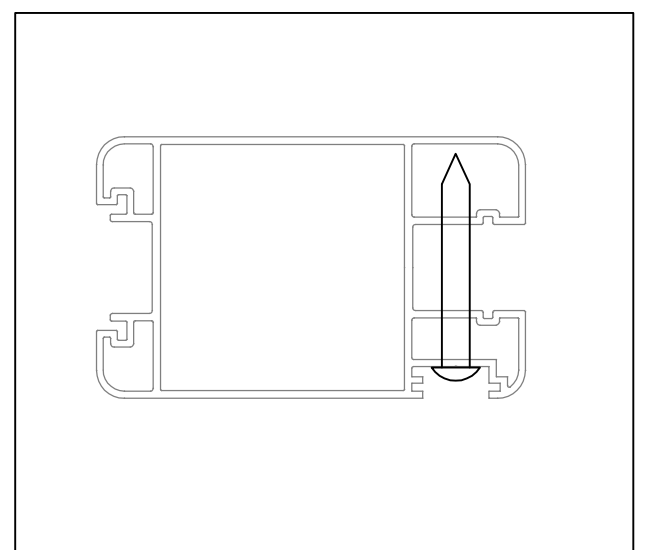
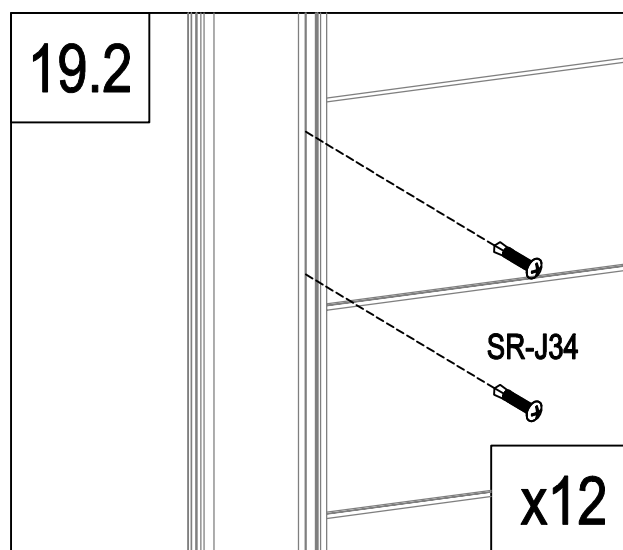
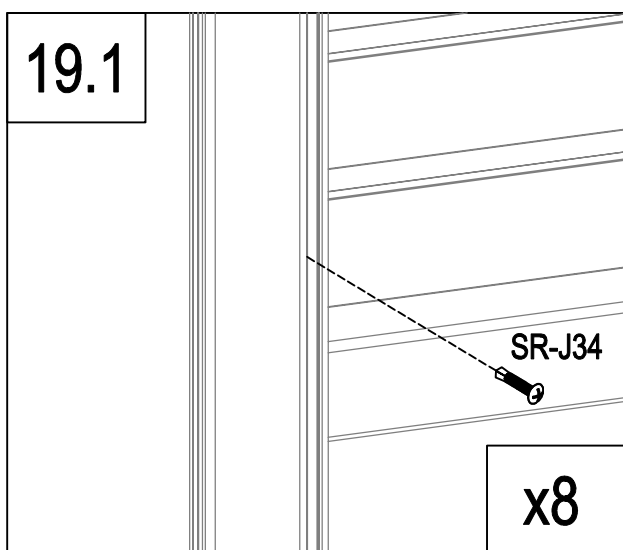
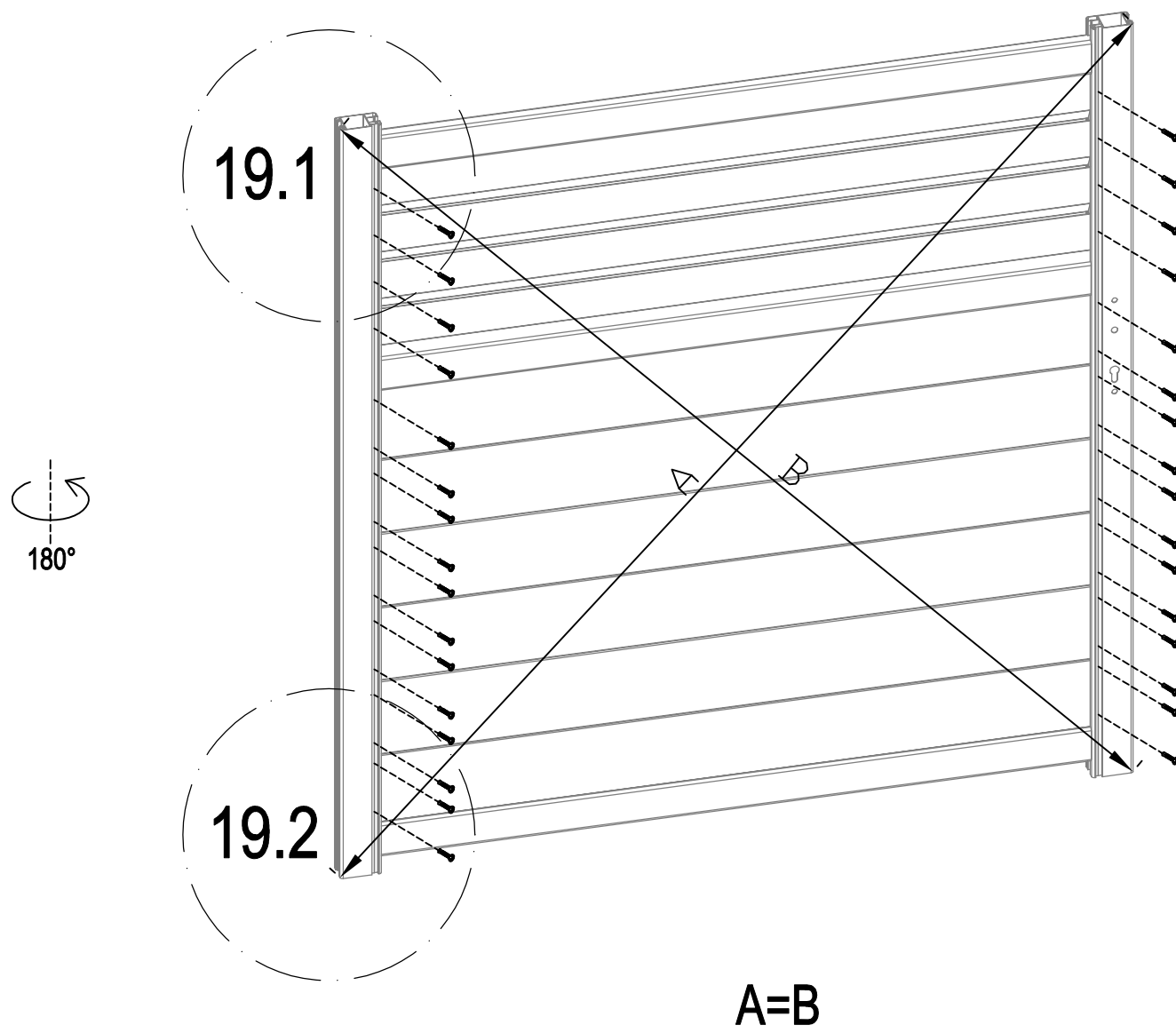
	SR-B6	4
---	-------	---

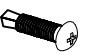


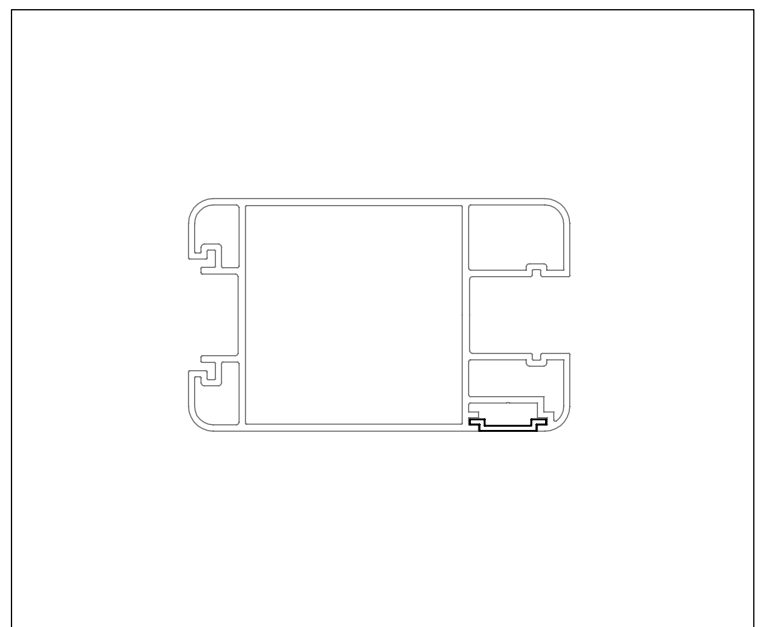
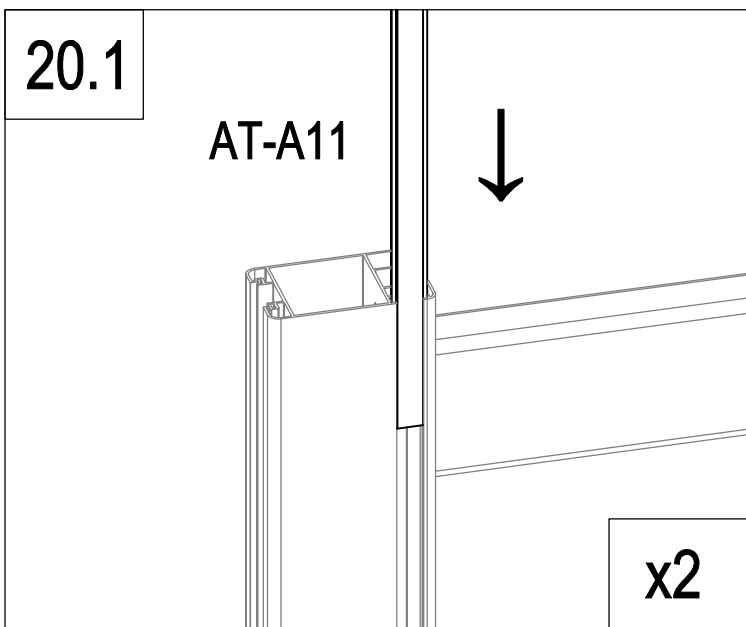
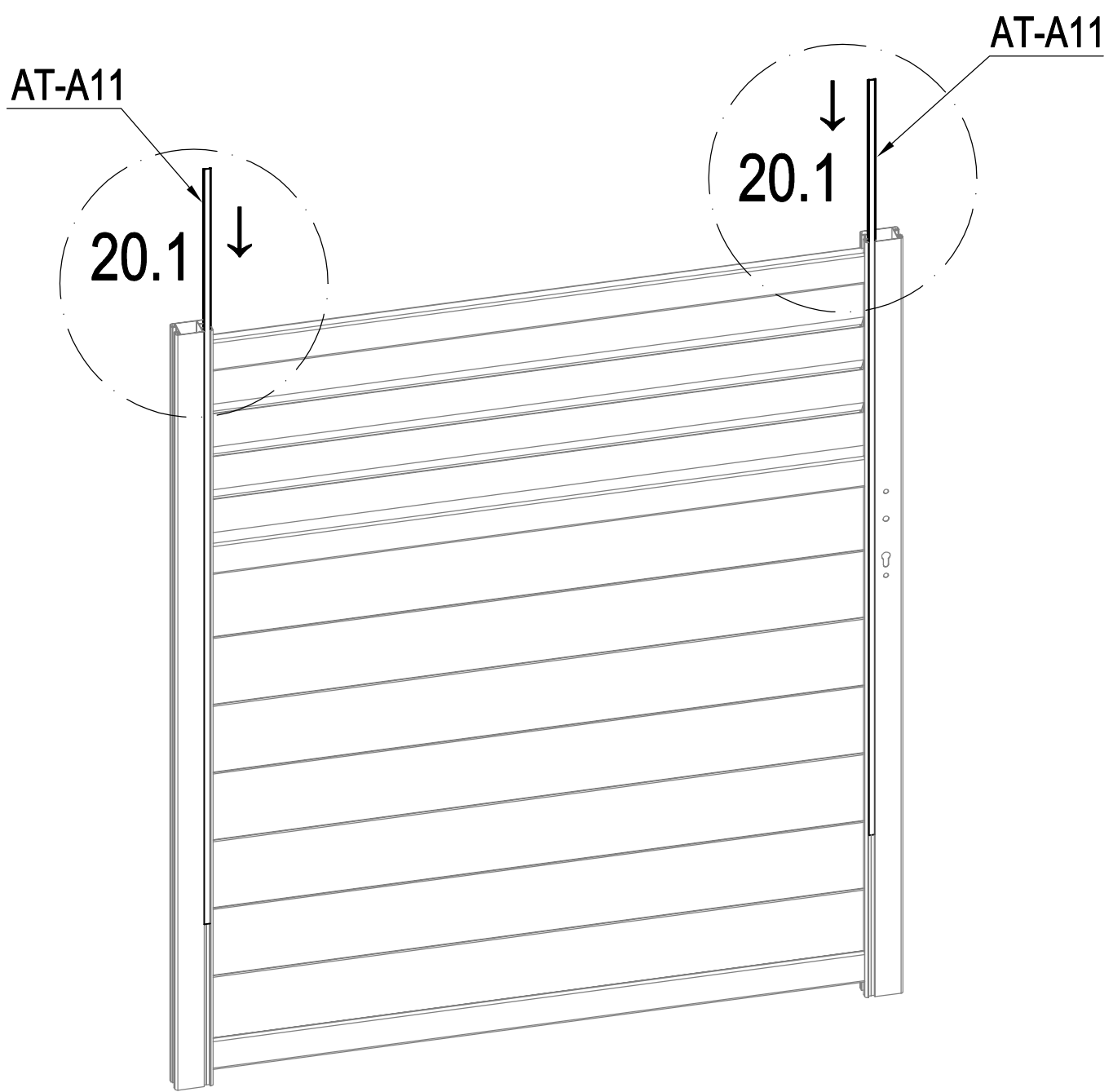
	SR-A1b	1
	Dr-28	3
	SR-J32	6



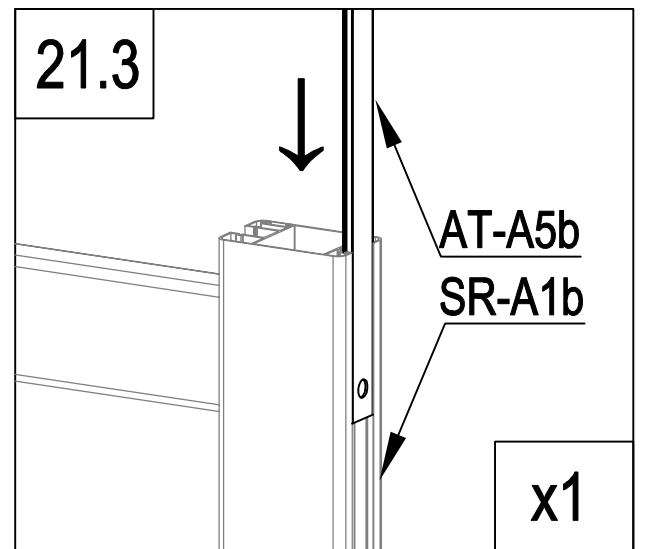
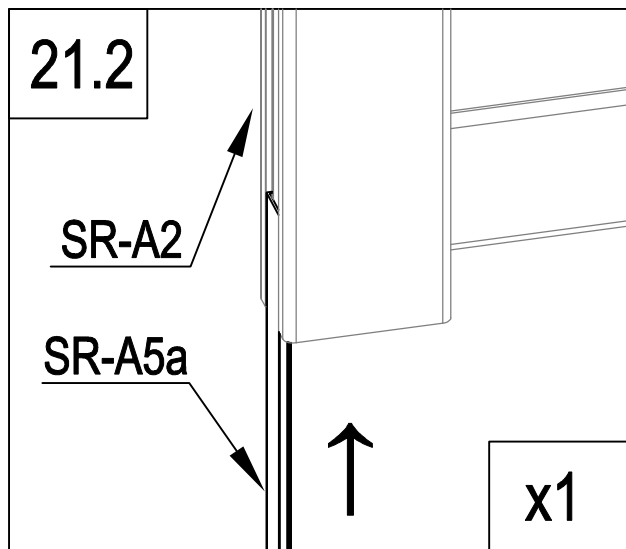
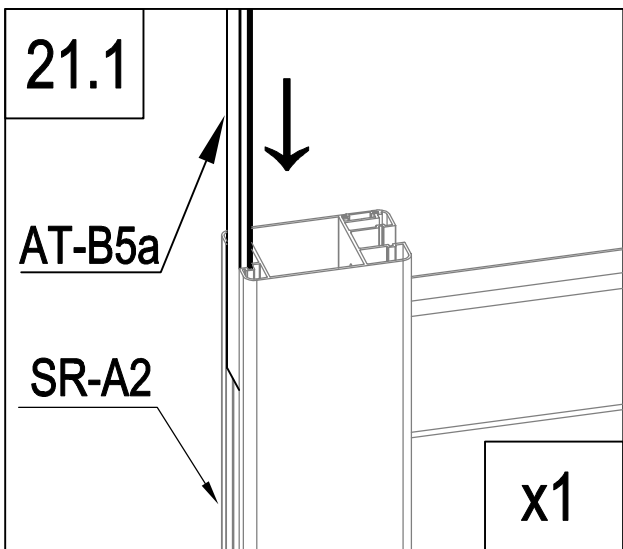
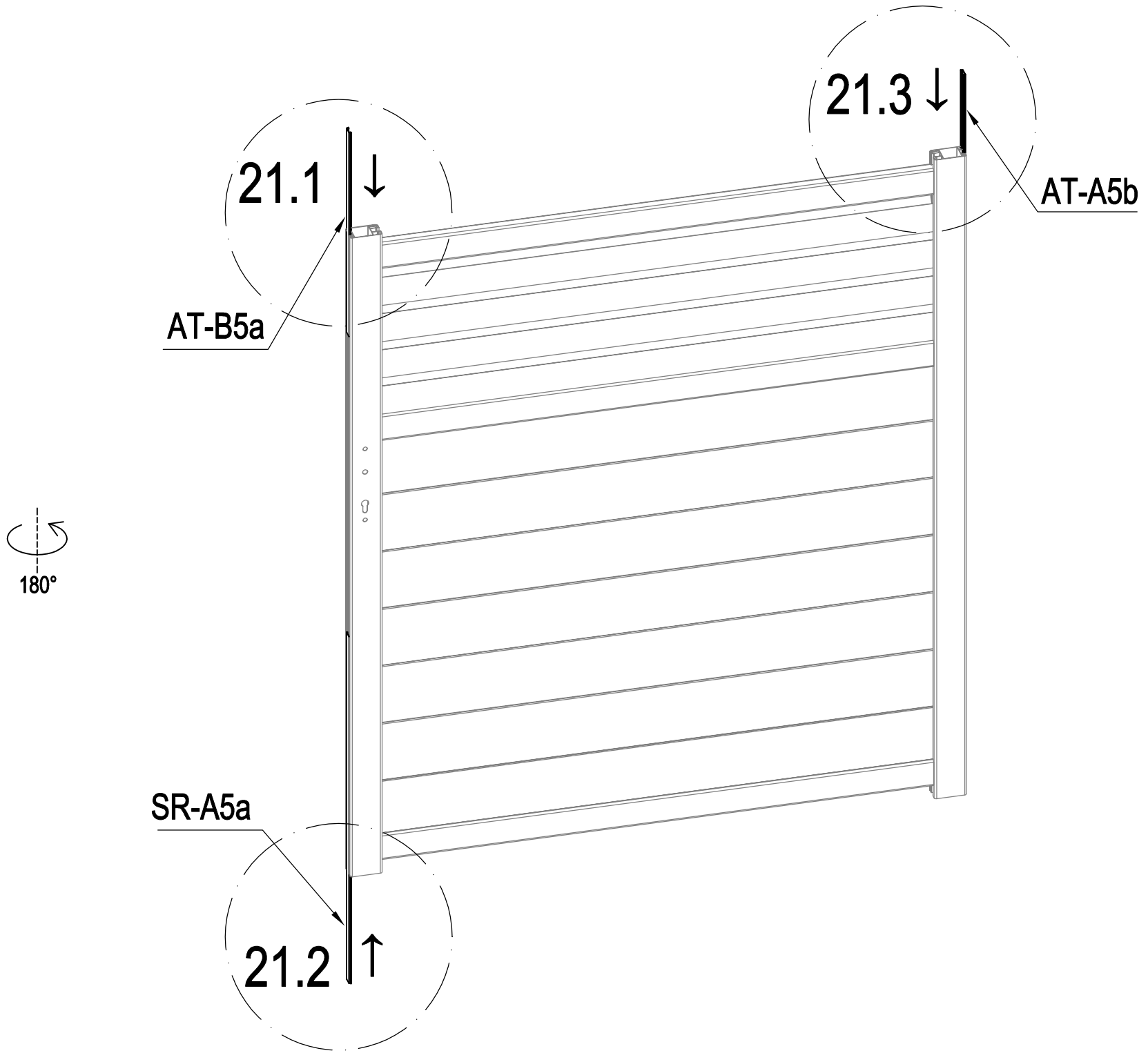
	SR-14	3
	SR-15	3

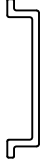


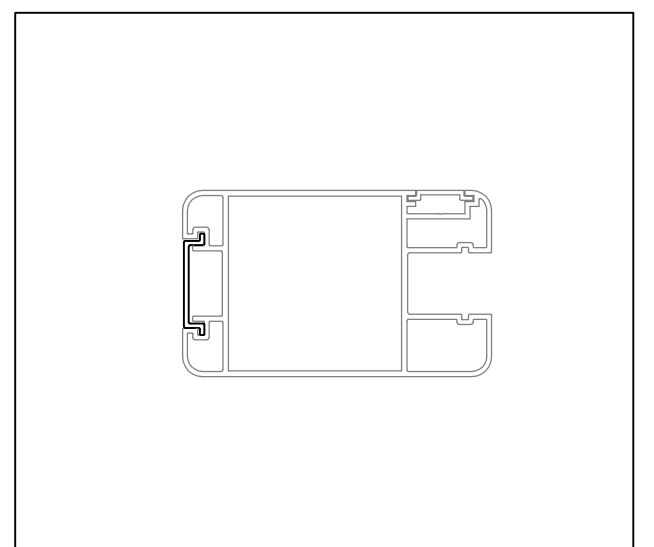
	SR-J34	32
---	--------	----

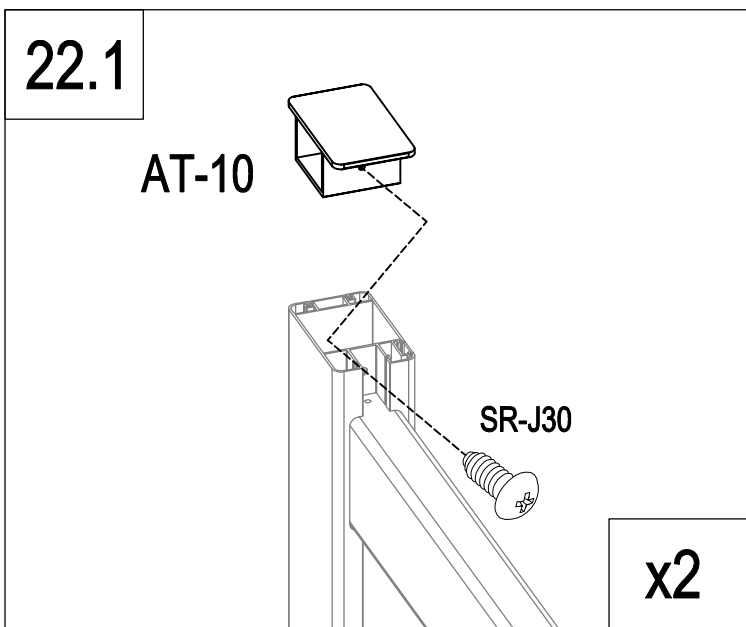
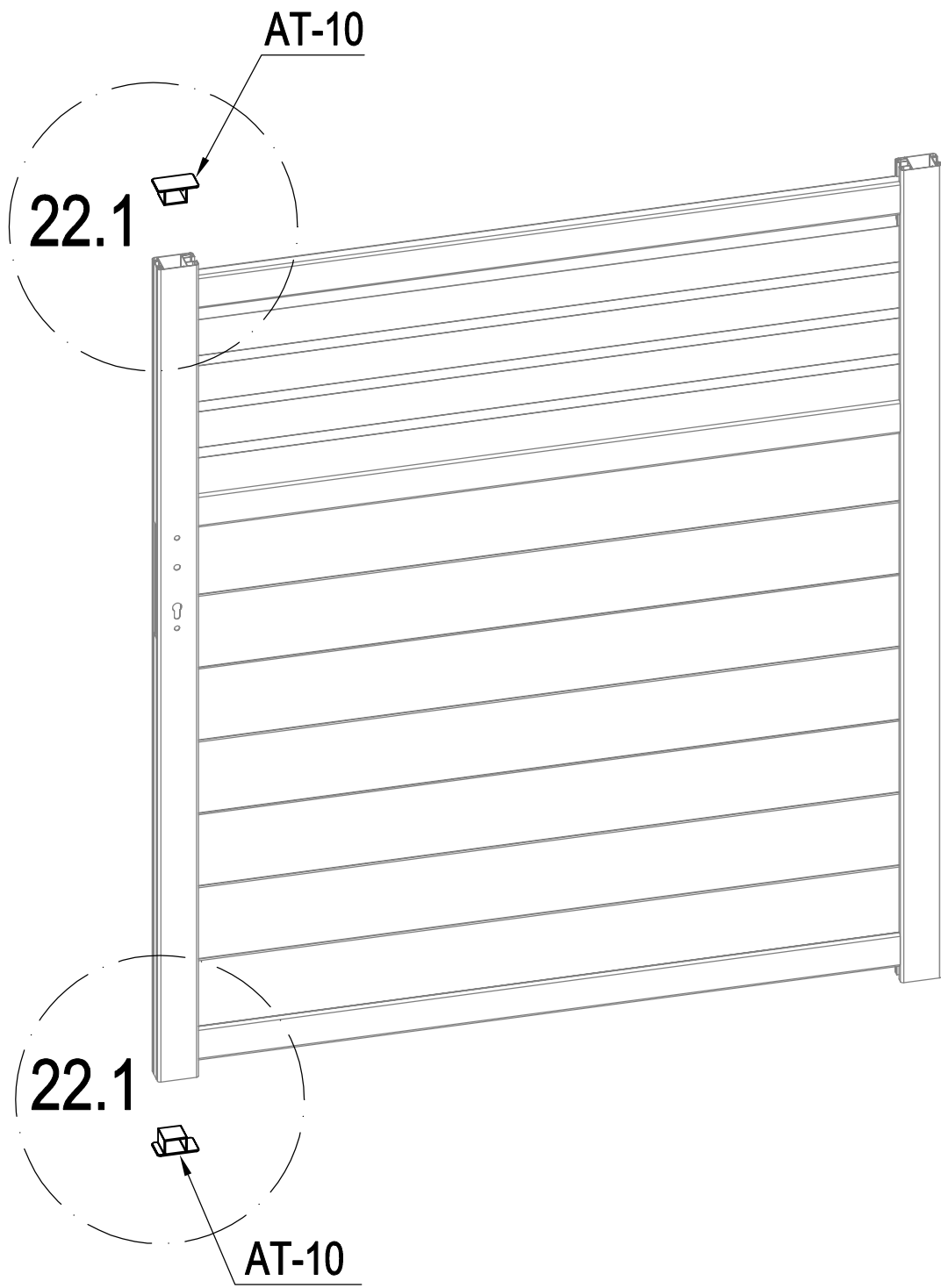




	AT-A11	2
---	---------------	----------

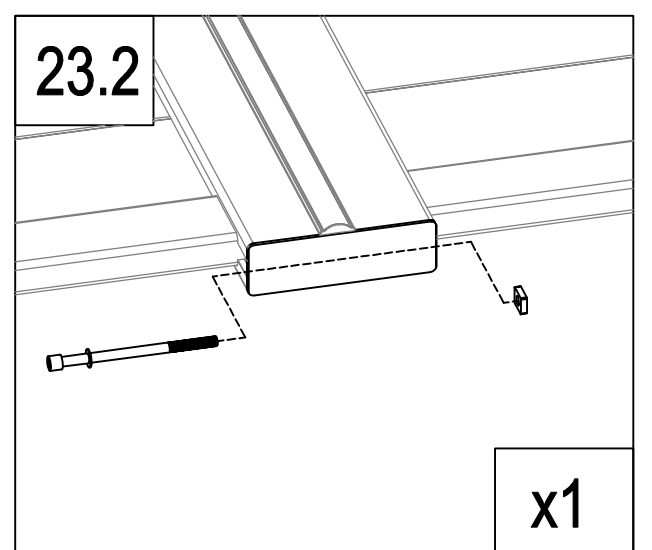
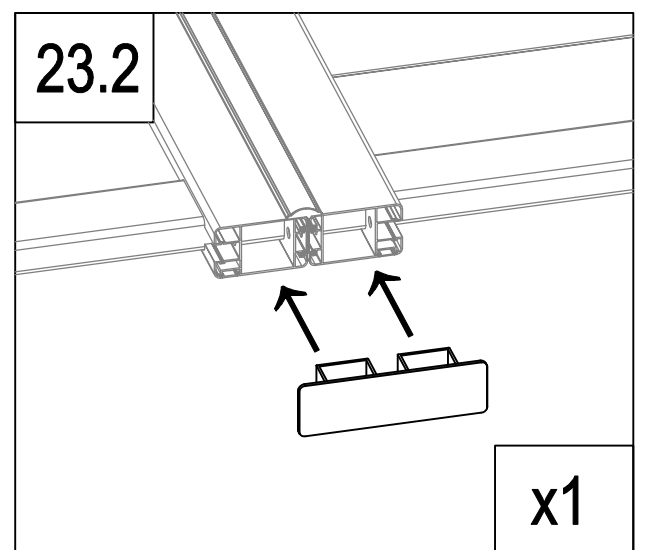
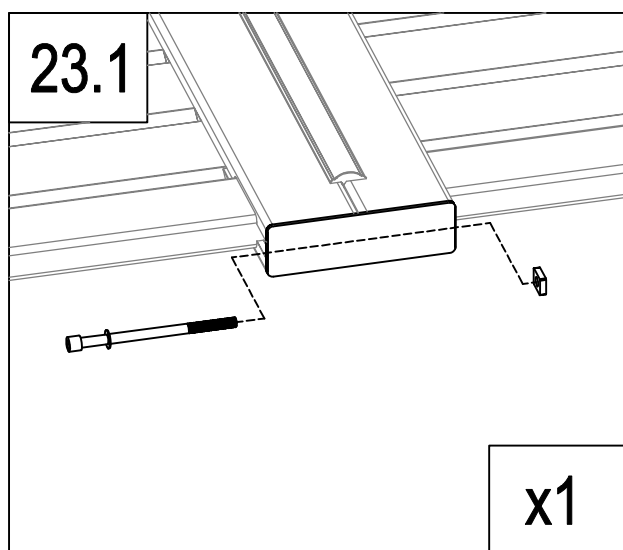
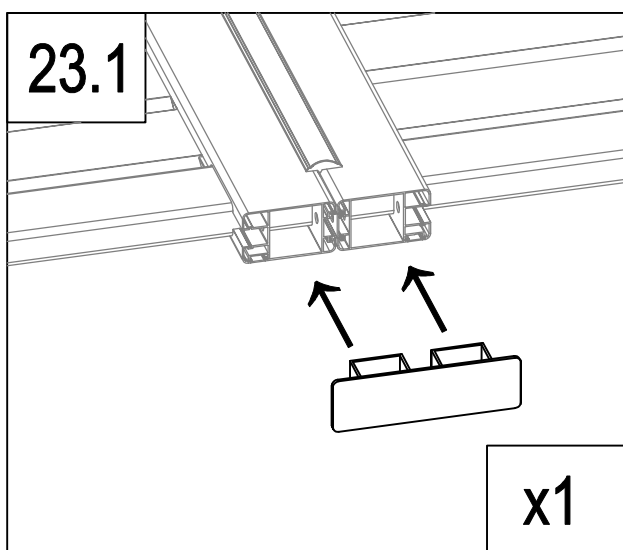
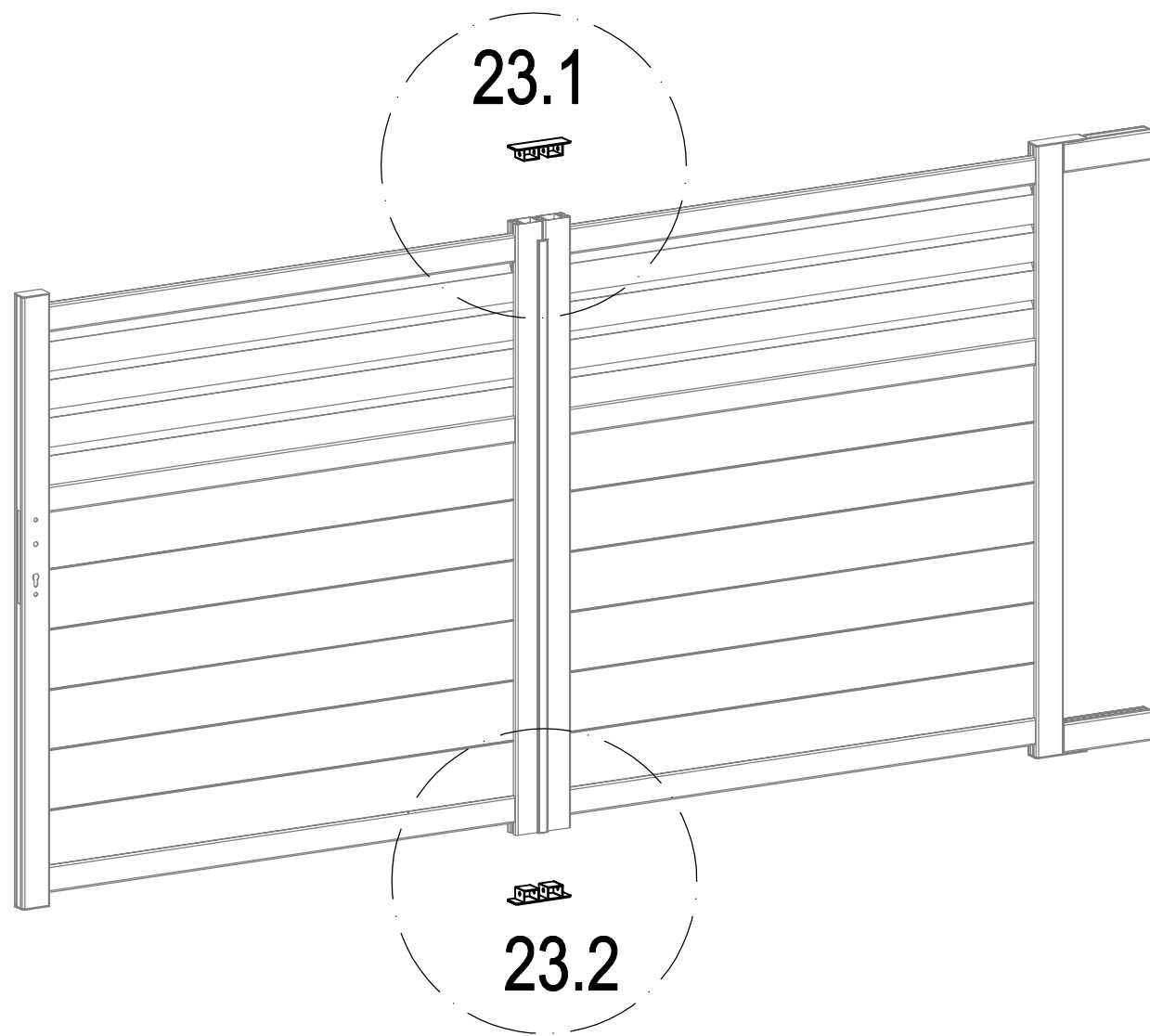


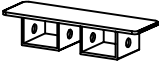

	AT-A5b	1
	AT-B5a	1
	SR-A5a	1

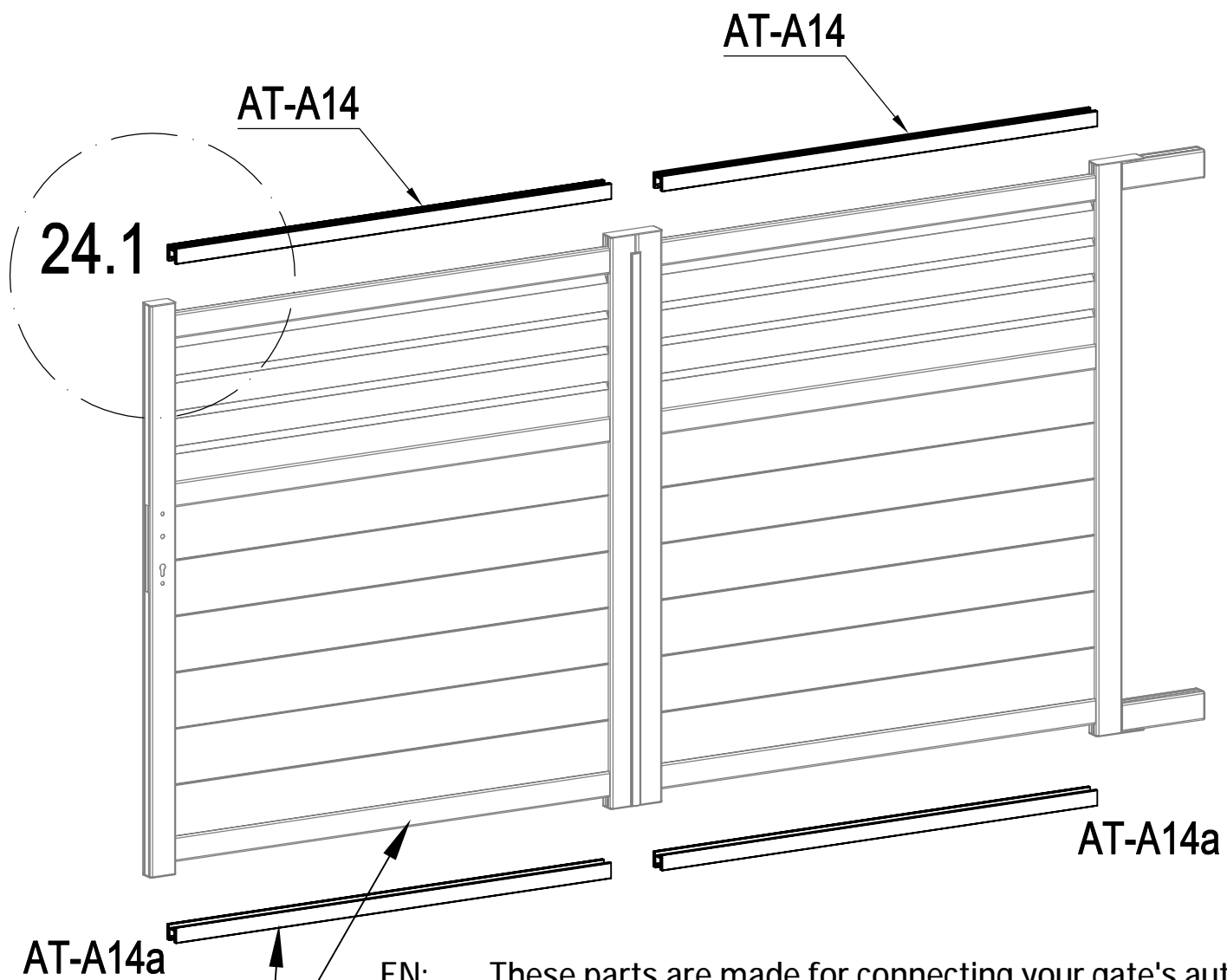




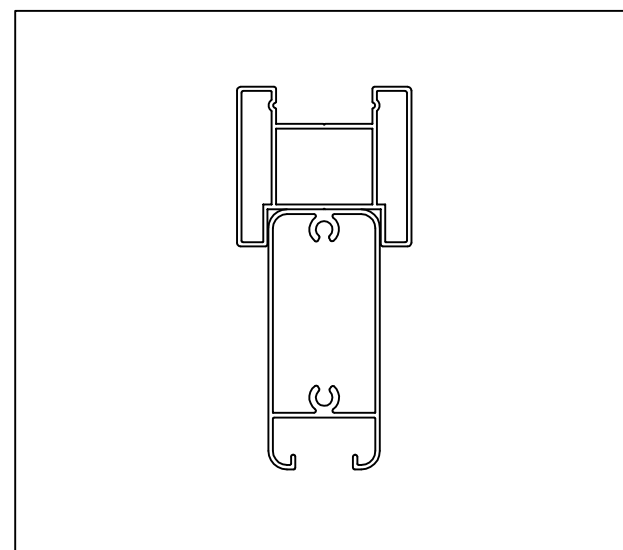
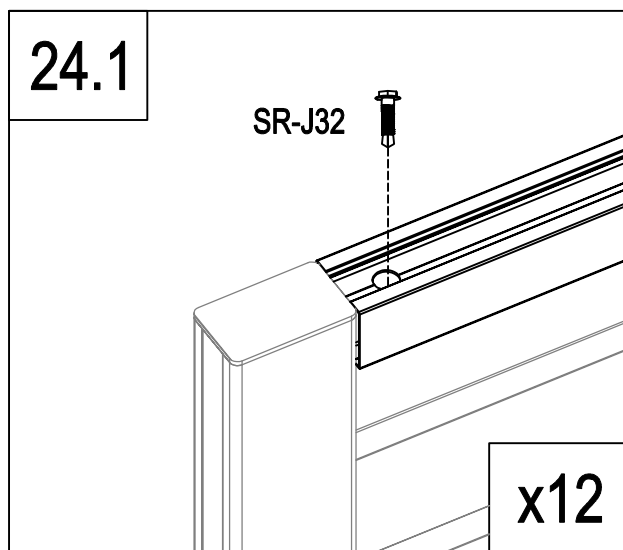
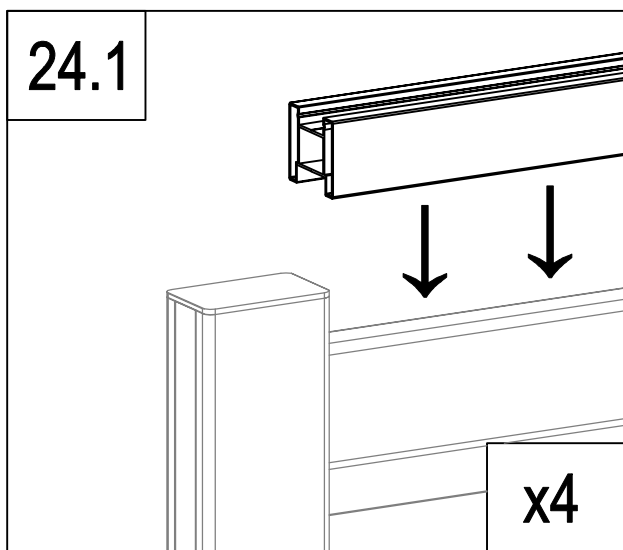
	AT-10	2
	SR-J30	2

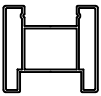



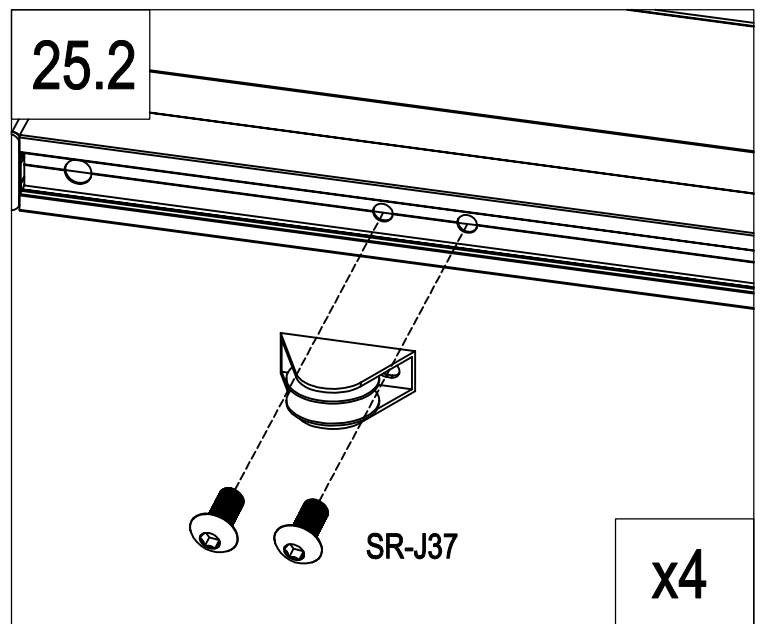
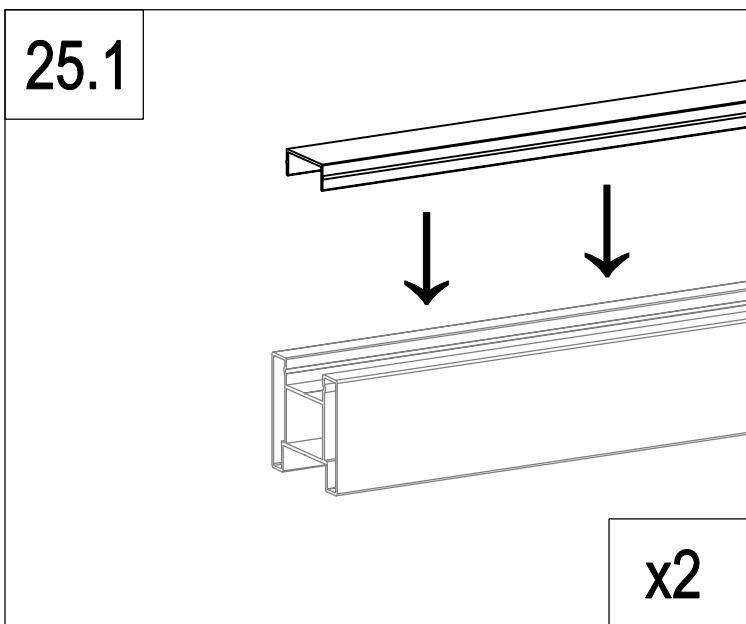
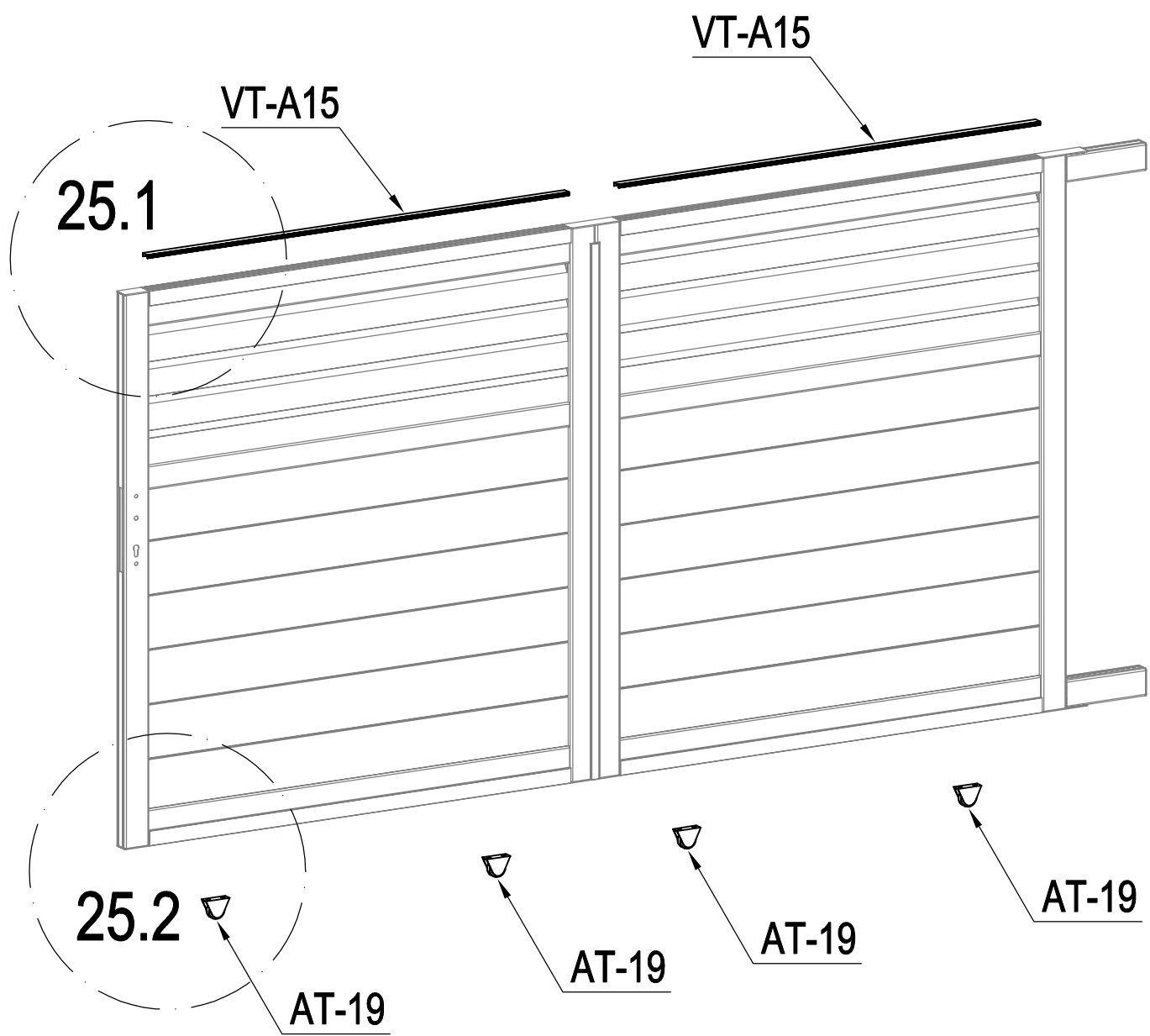
	AT-17	2
	SR-J33	2

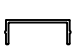




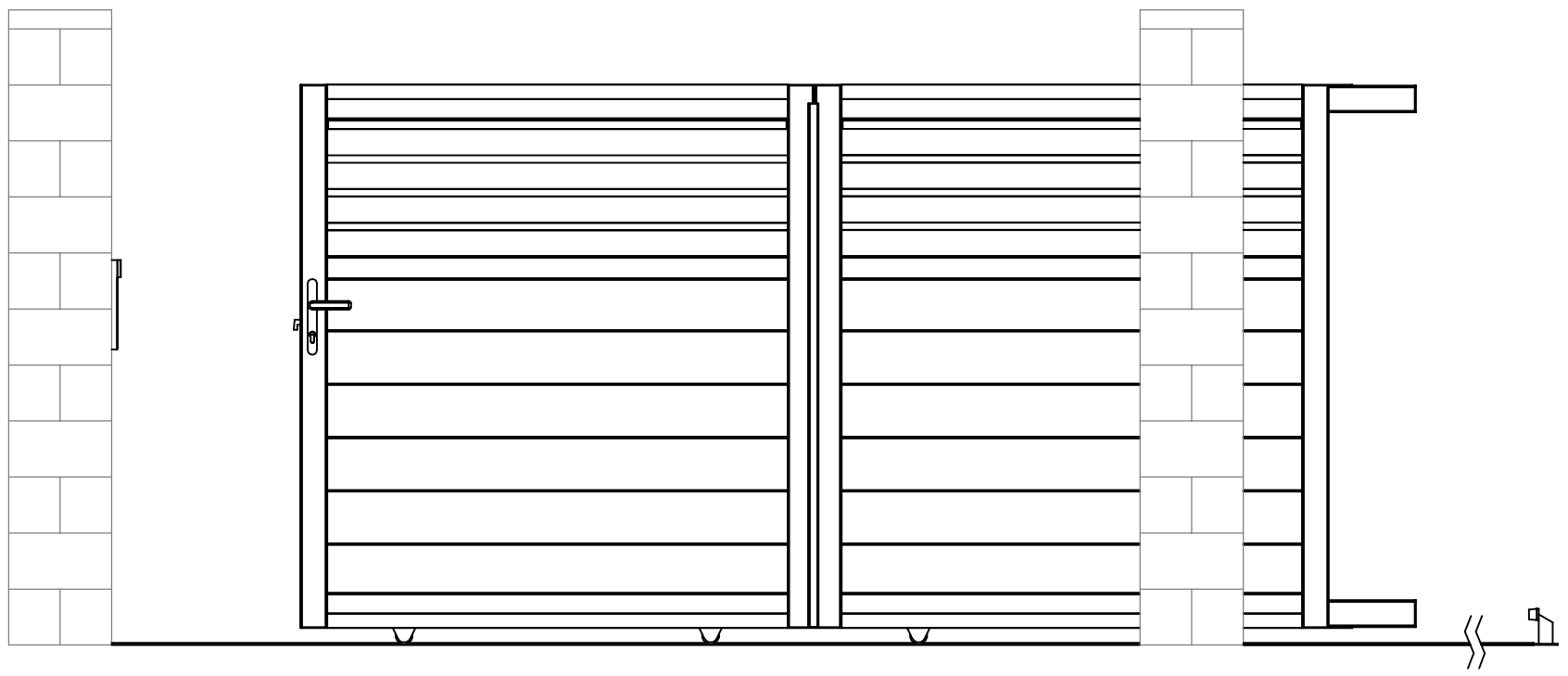
EN: These parts are made for connecting your gate's automation
 FR: Ces pièces sont faites pour relier l'automatisation de votre portail
 DE: Diese Teile sind für den Anschluss der Automatisierung Ihres Tores vorgesehen
 ES: Estas piezas están hechas para conectar la automatización de su puerta
 PT: Estas peças são feitas para ligar a automatização do seu portão
 IT: Queste parti sono realizzate per collegare l'automazione del vostro cancello
 NL: Deze onderdelen zijn gemaakt voor het aansluiten van de automatisering van uw poort.
 PL: Te części są wykonane do podłączenia automatyki bramy.



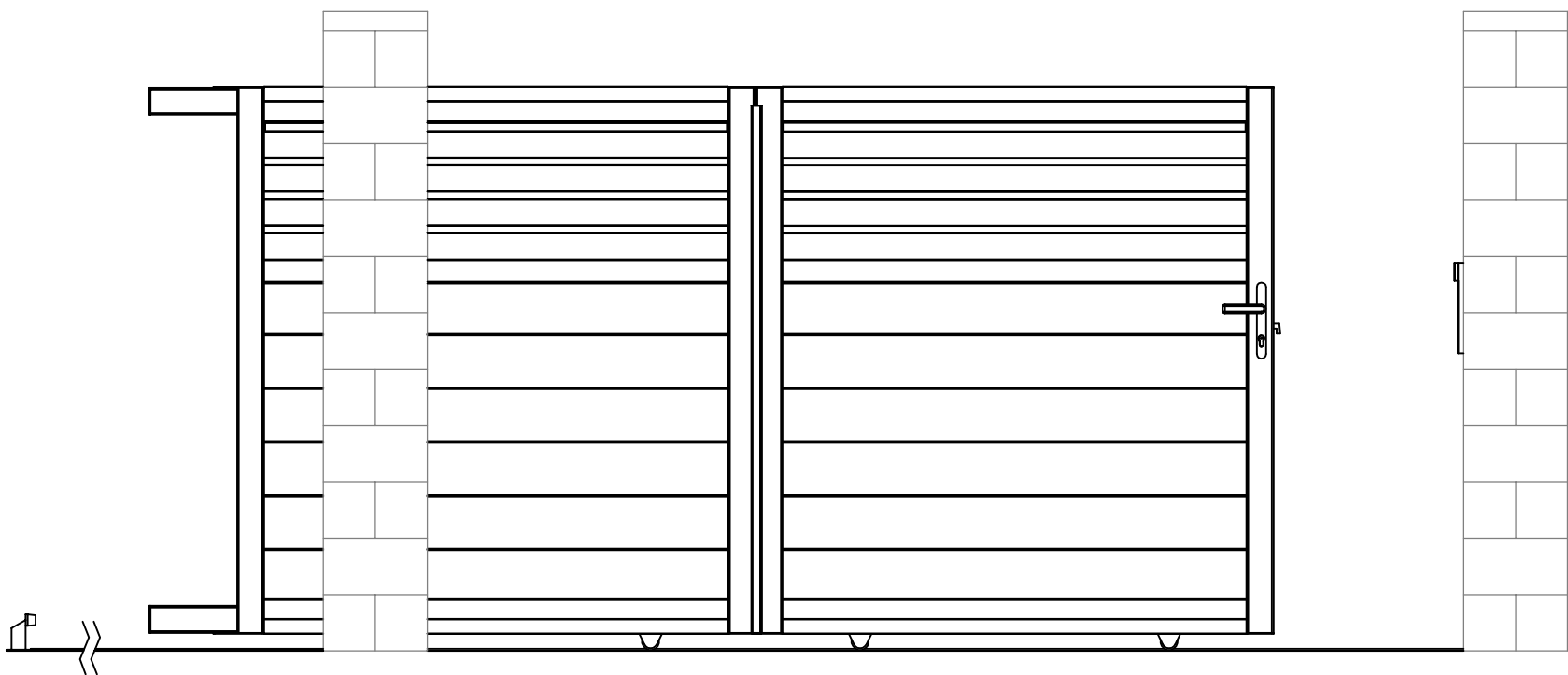
	AT-A14	2
	AT-A14a	2
	SR-J32	12



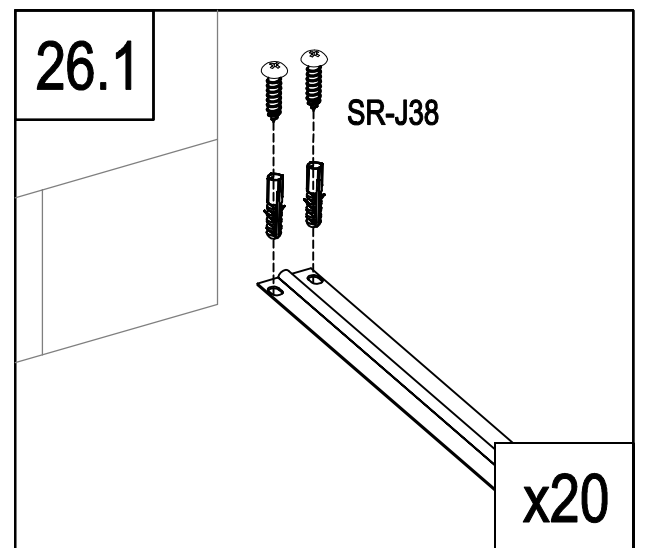
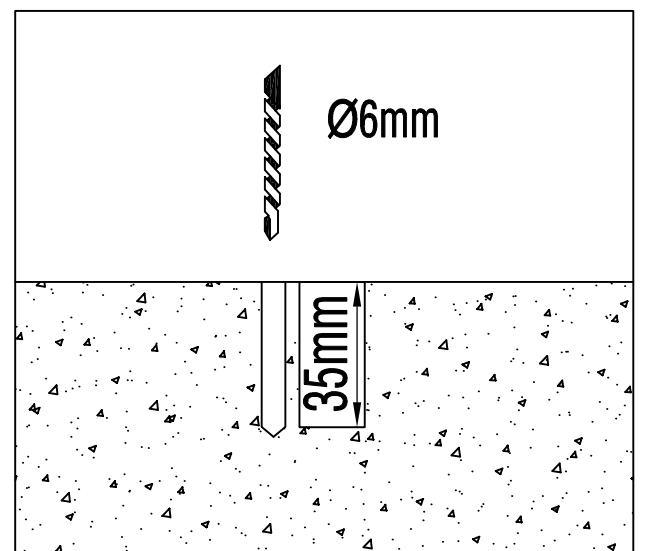
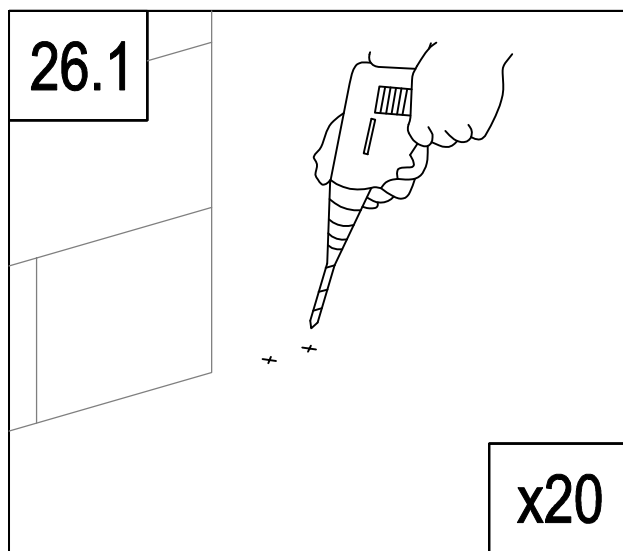
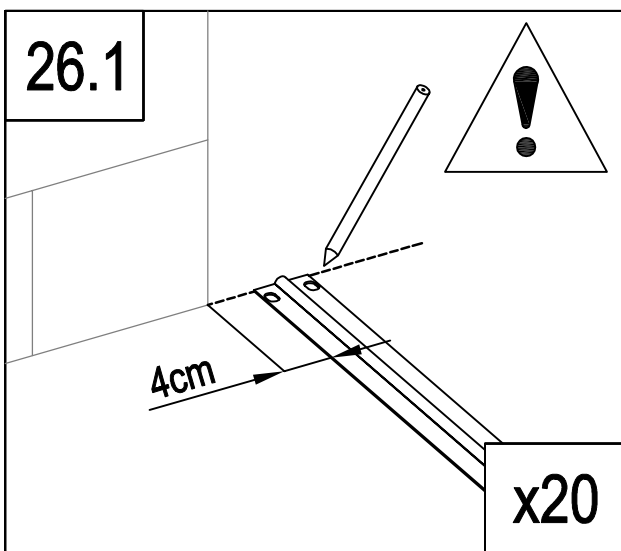
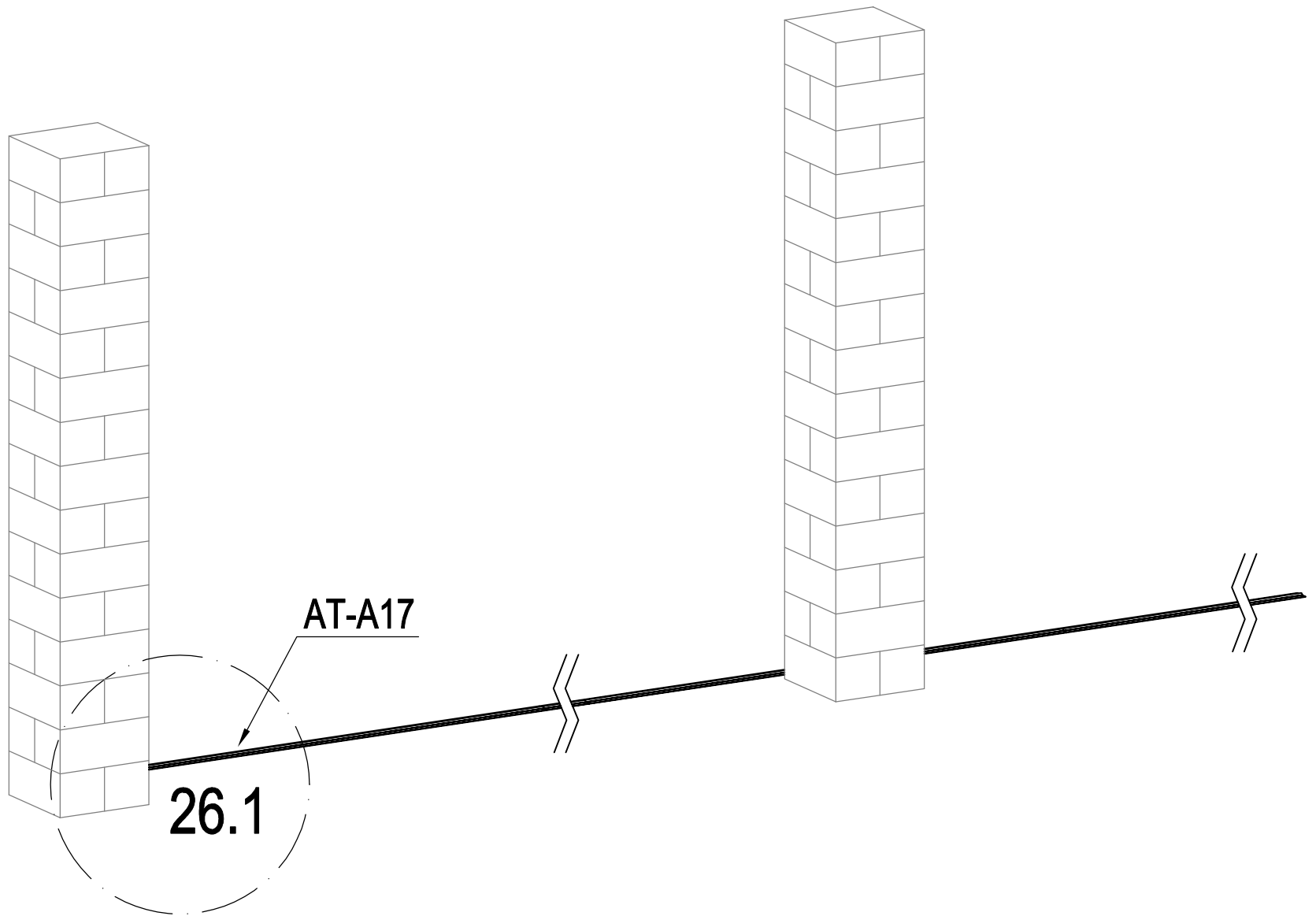
	VT-A15	2
	AT-19	4
	SR-J37	8





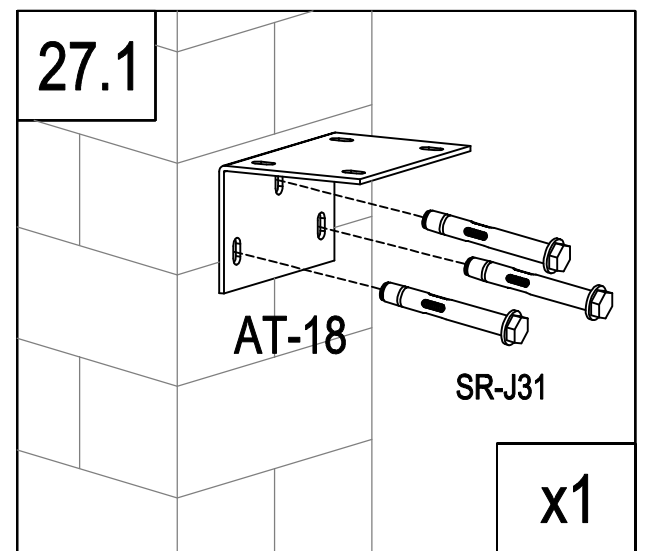
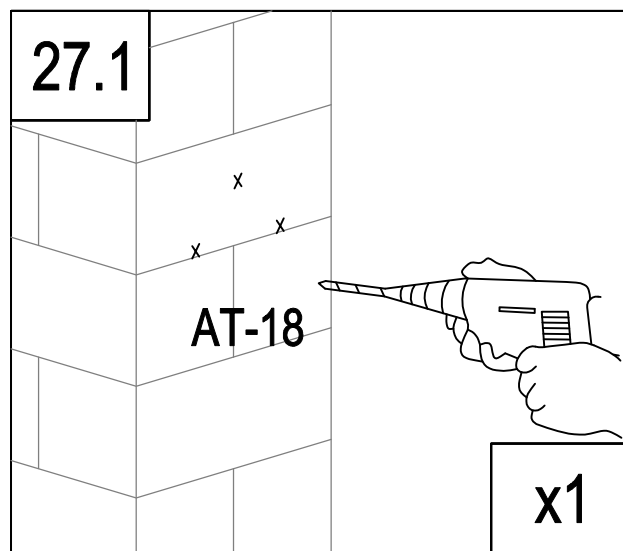
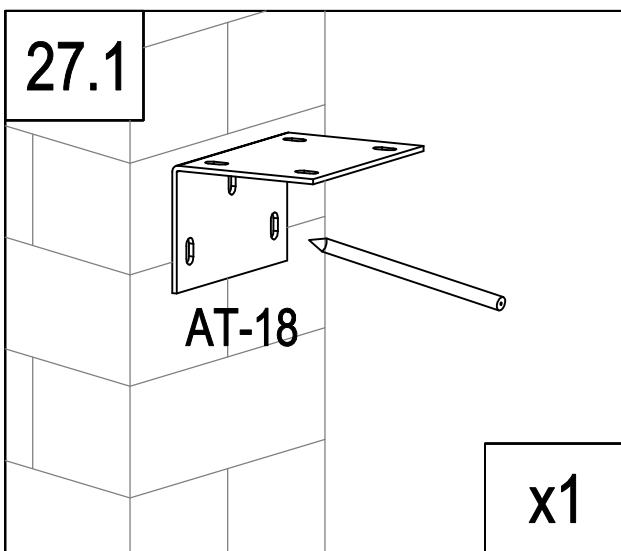
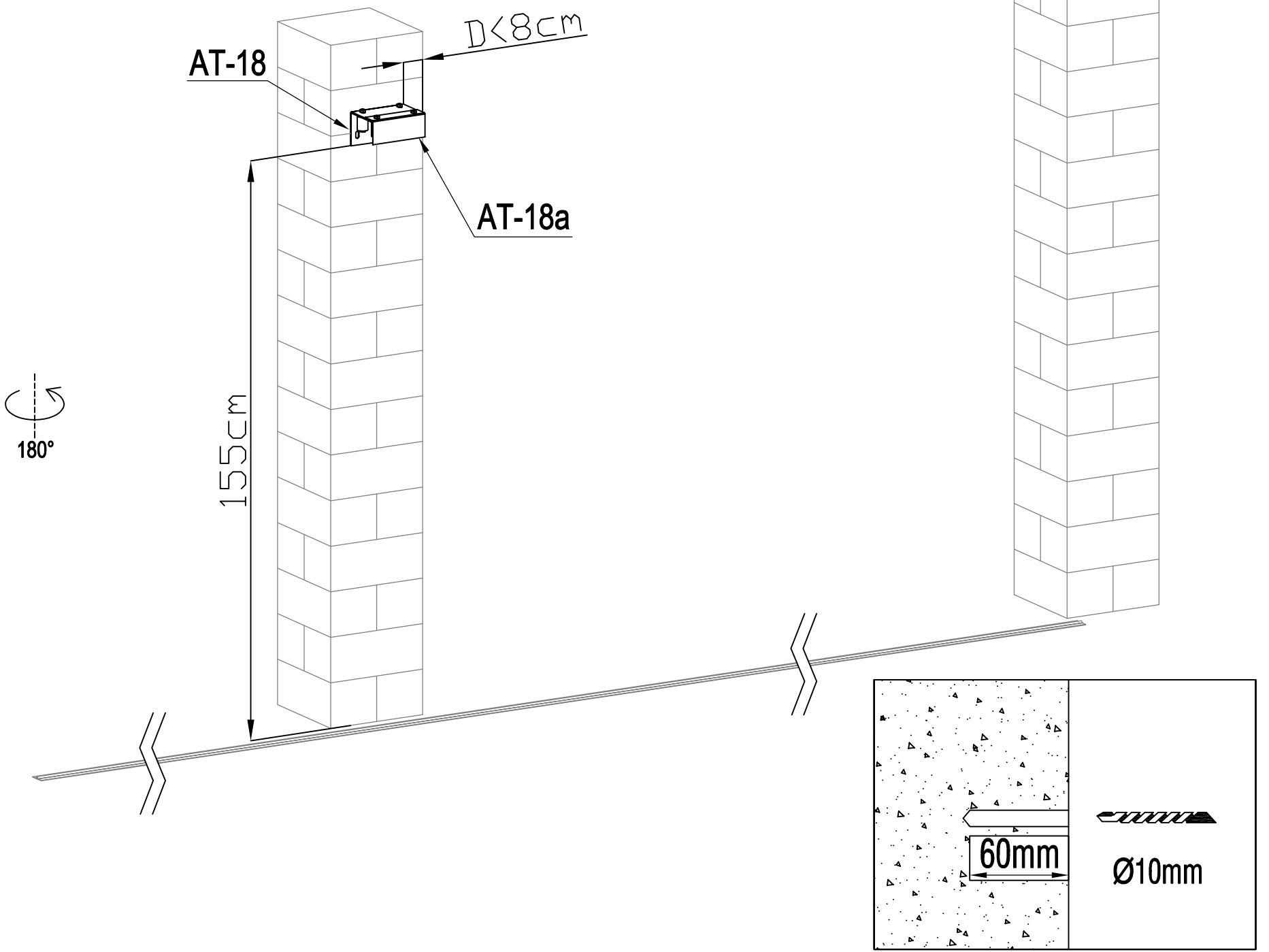
L : P26~31



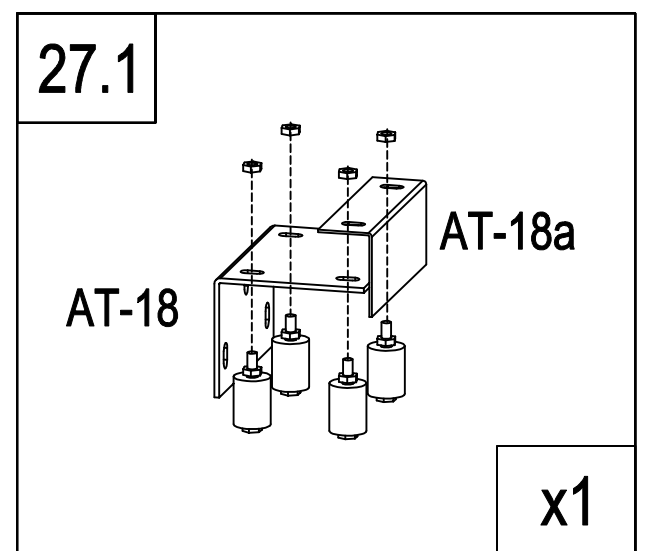
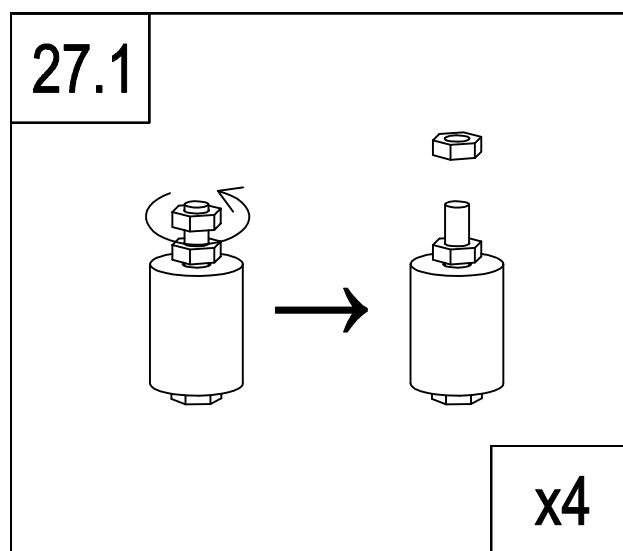
R : P32~37



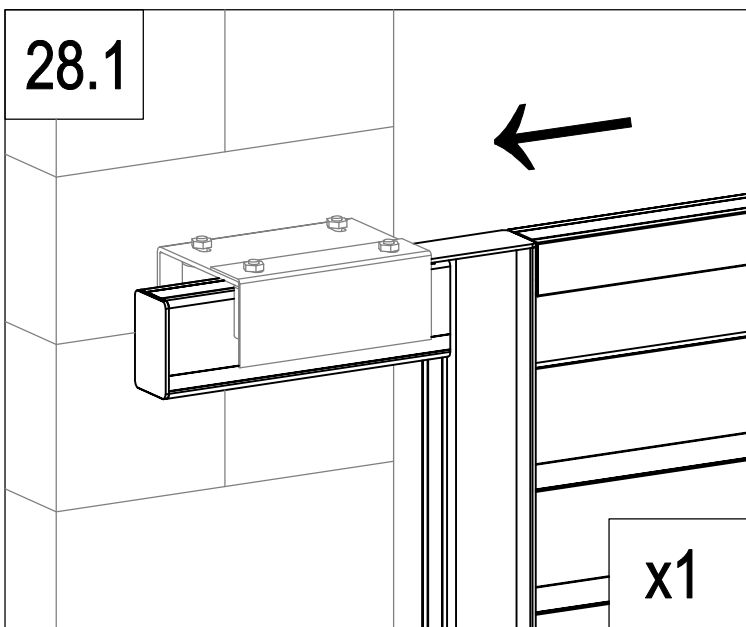
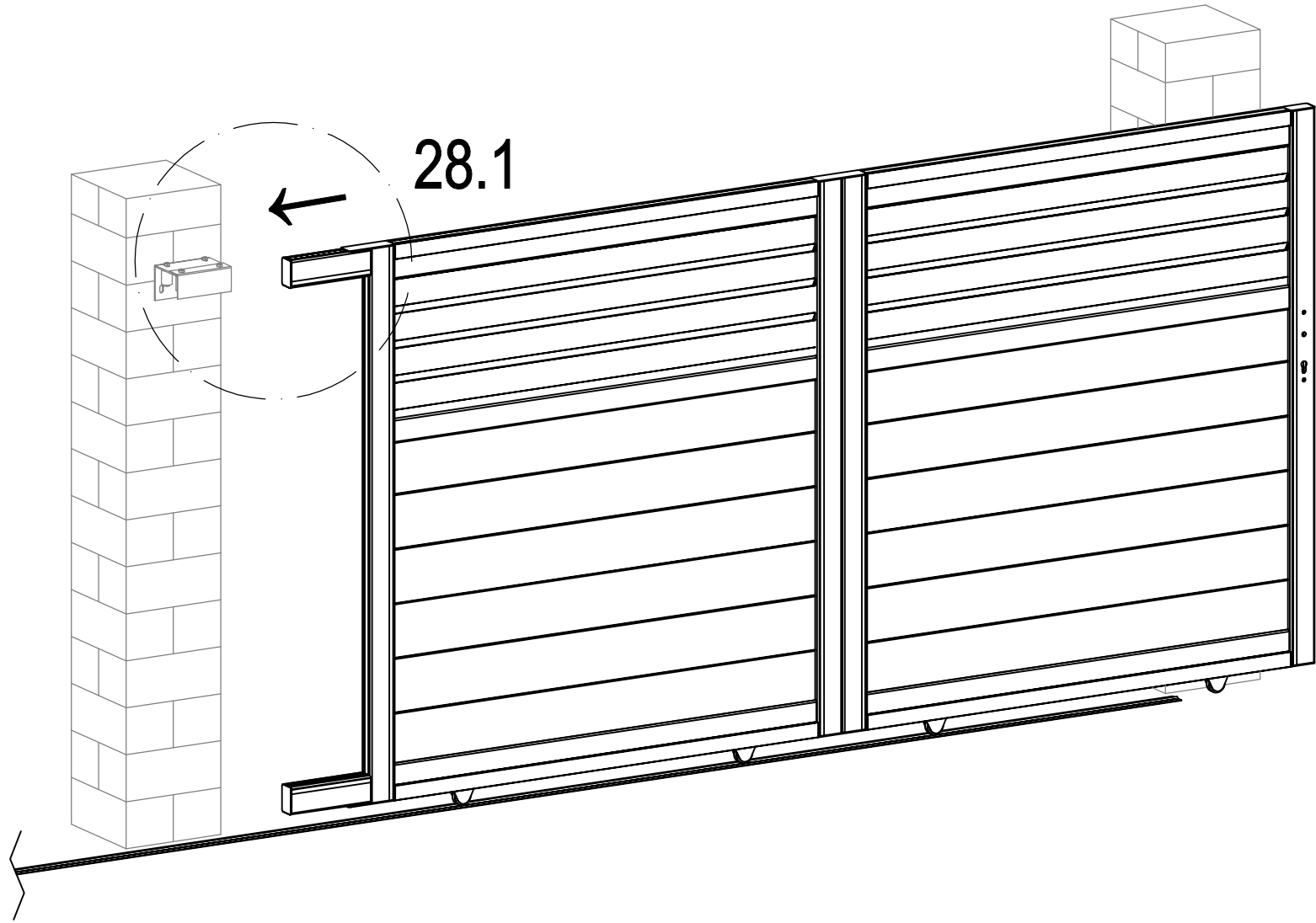
	AT-A17	5
	SR-J38	40

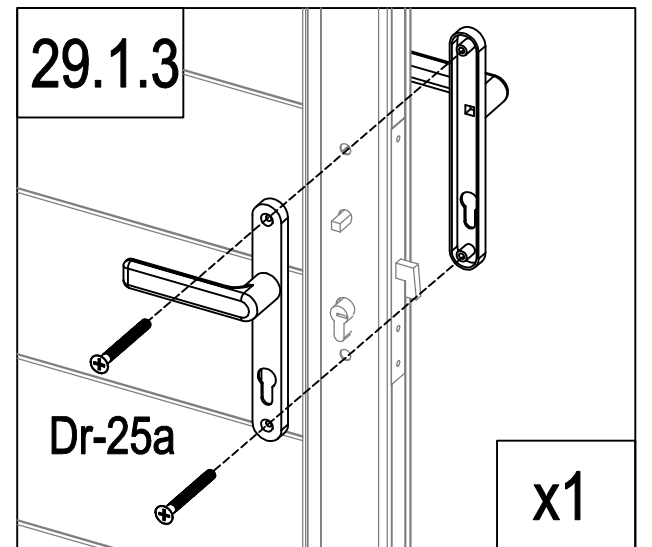
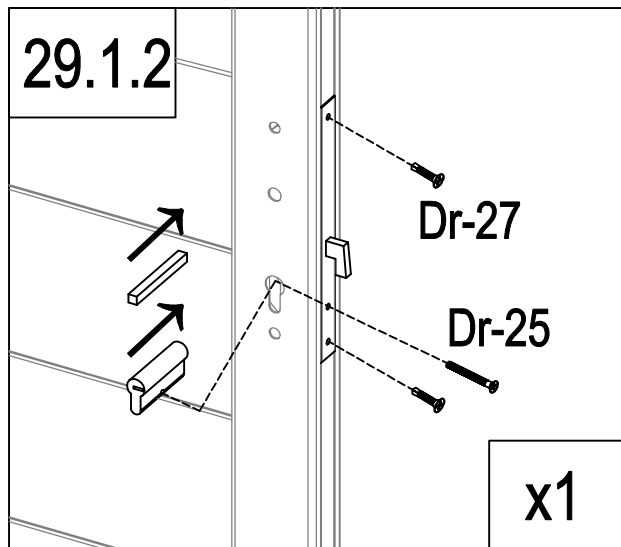
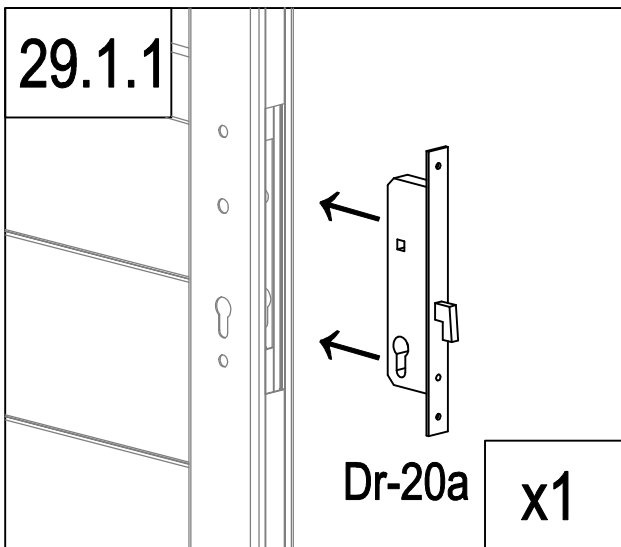
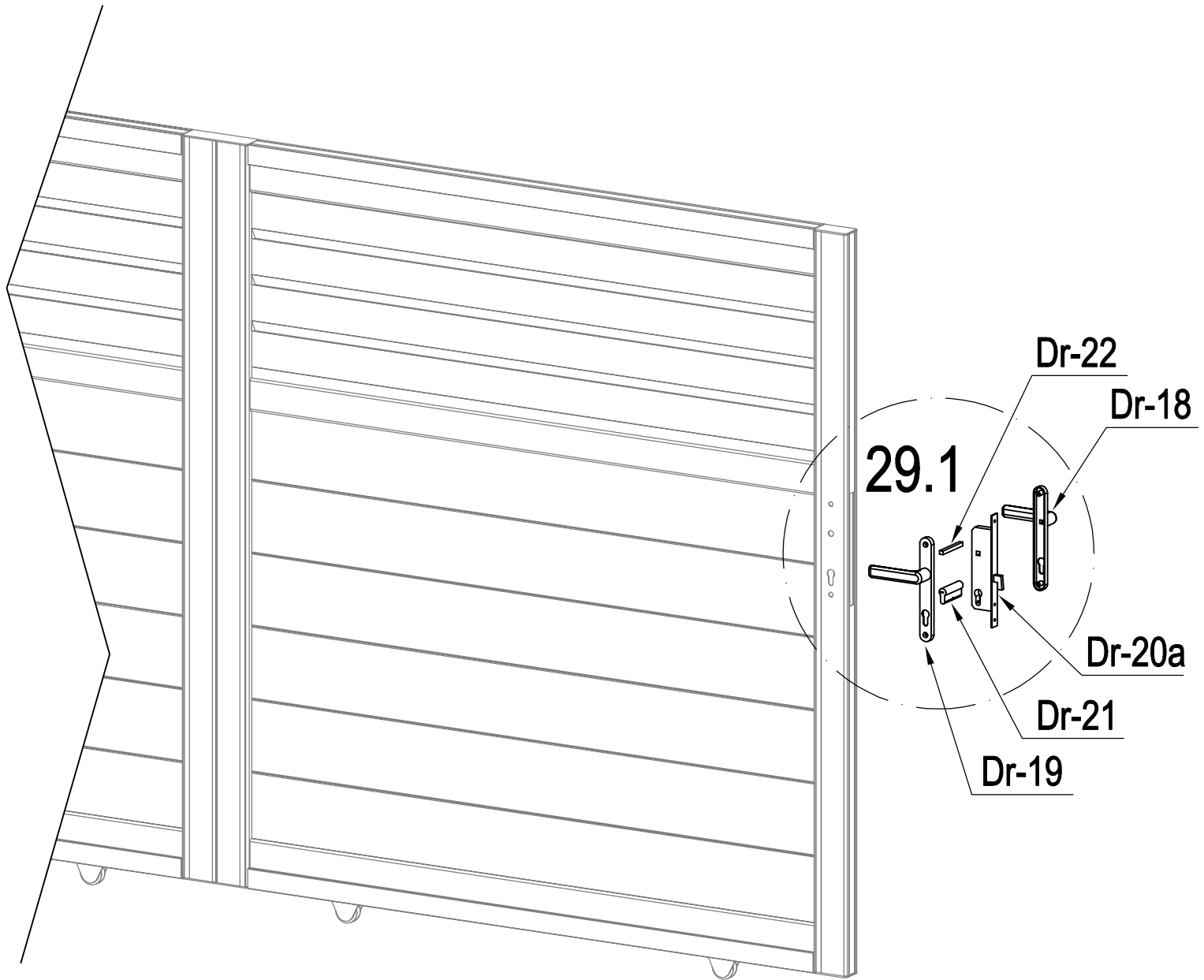


	AT-18	1
	AT-18a	1
	AT-20	4
	SR-J31	3



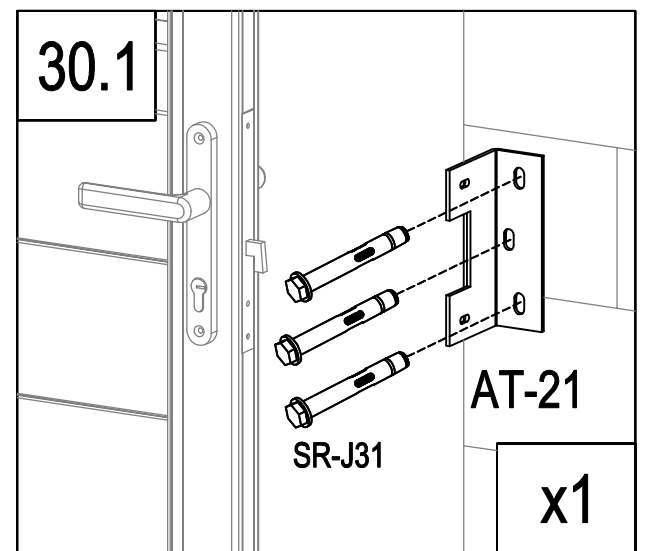
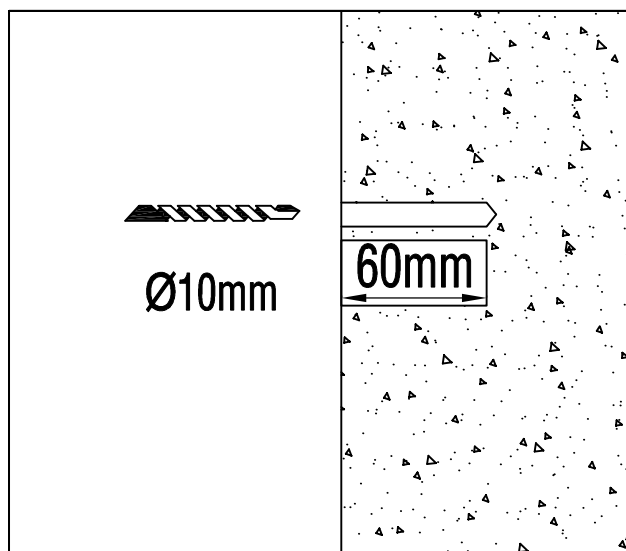
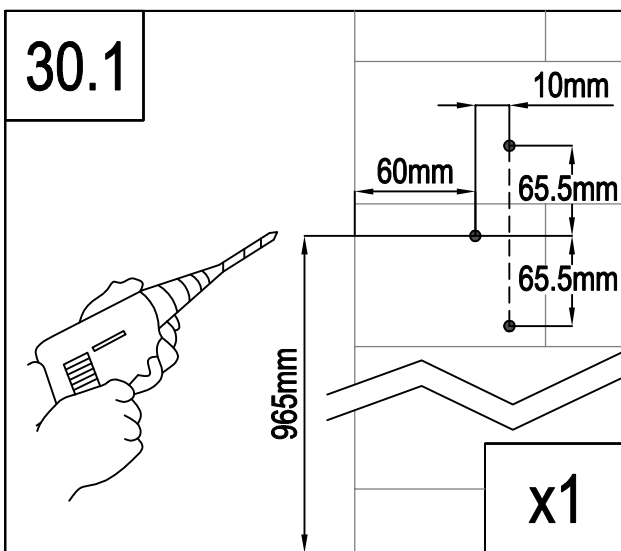
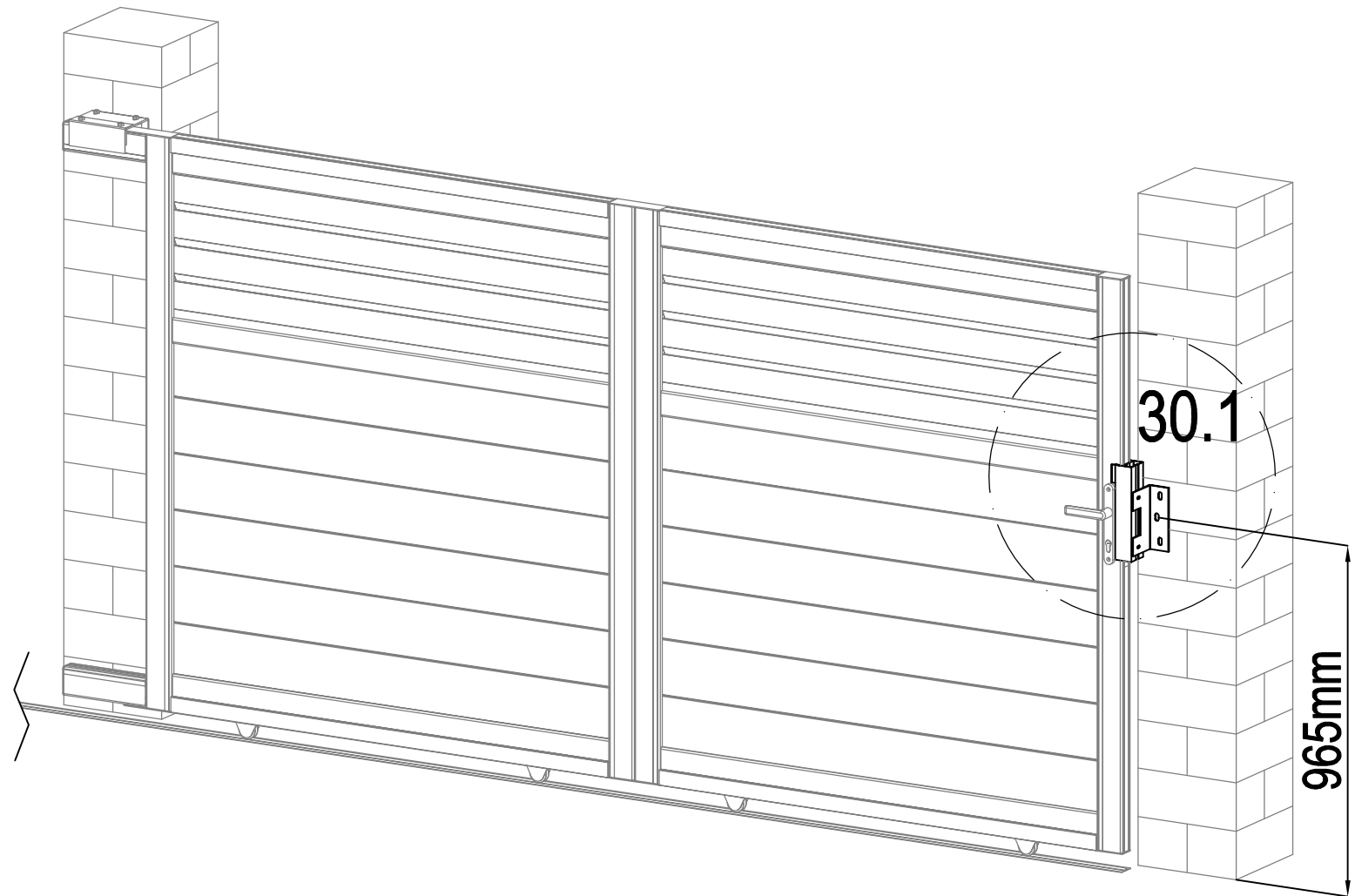
L


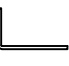




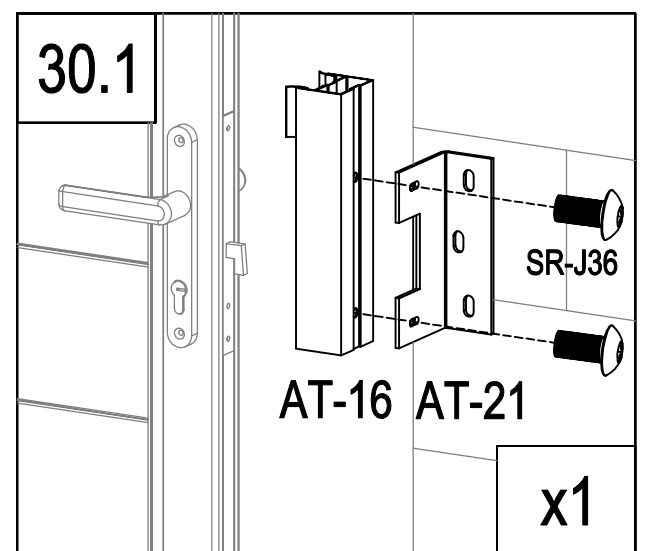


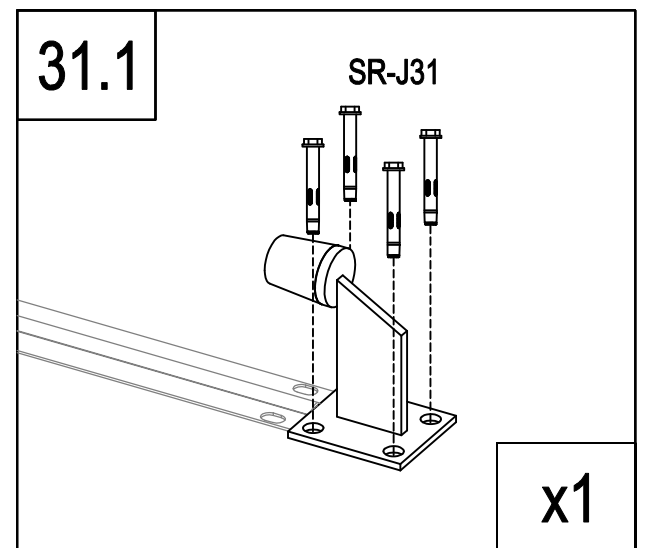
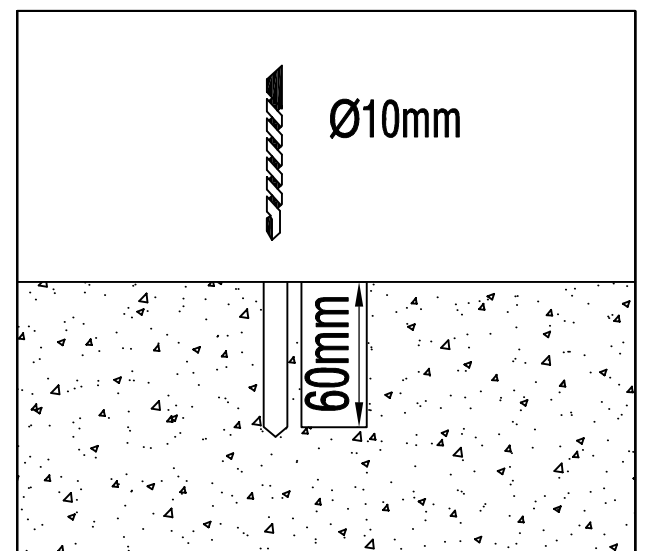
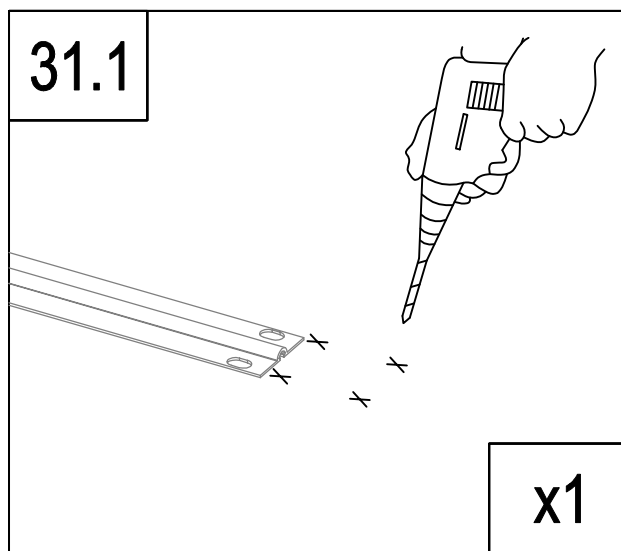
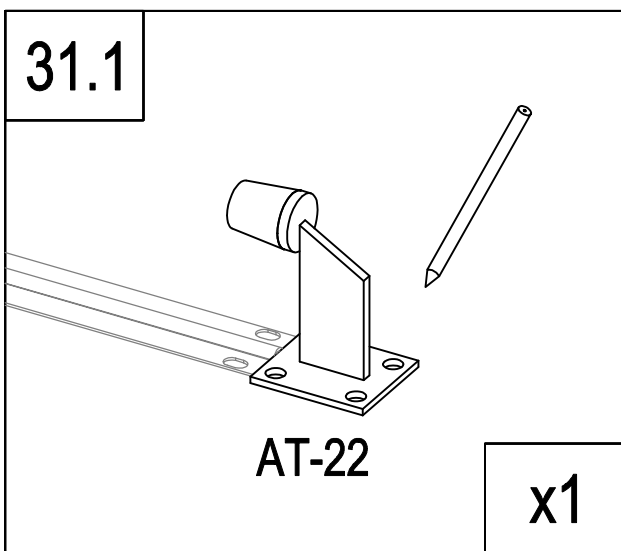
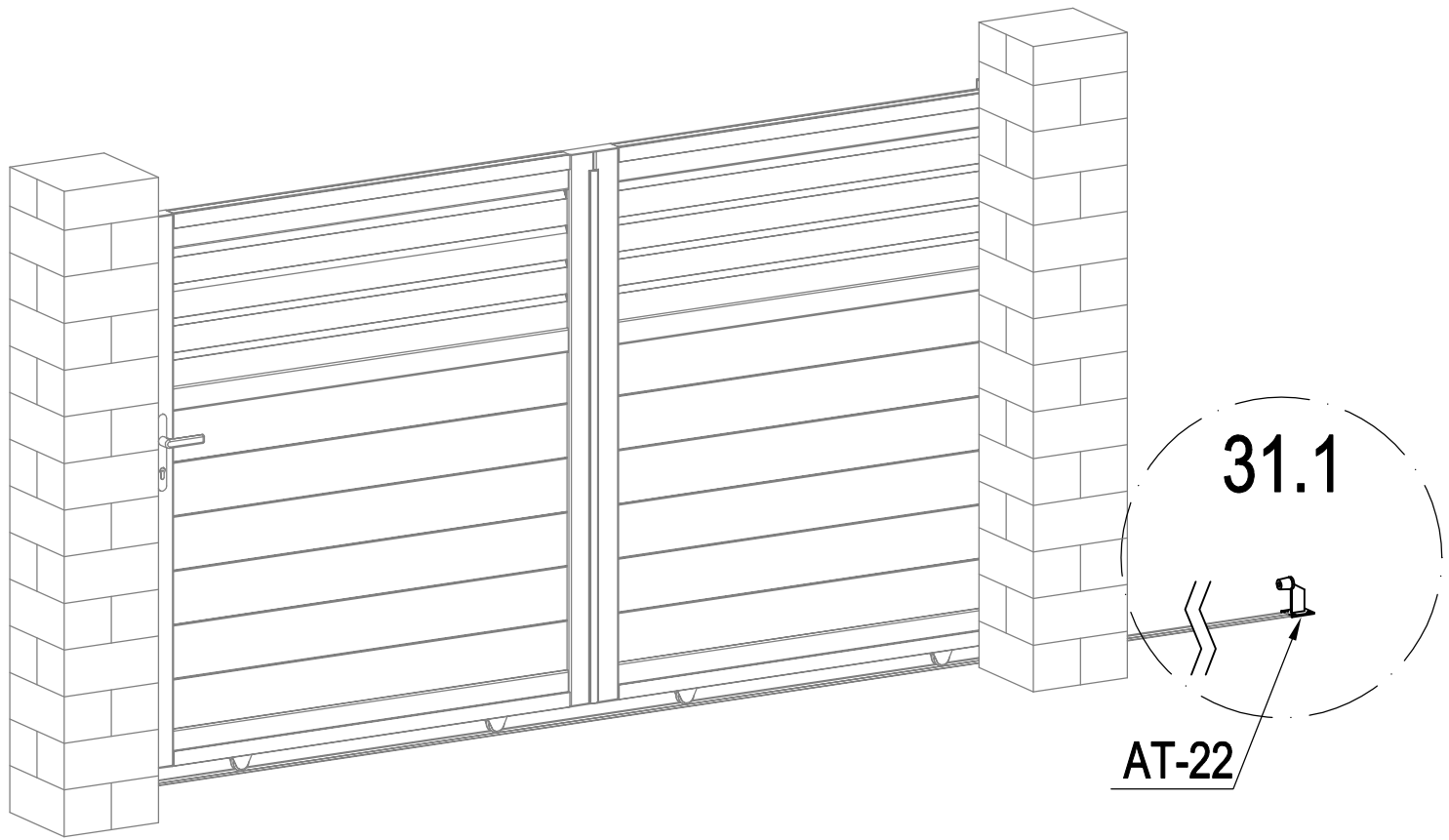
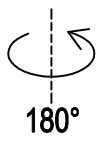
	Dr-20a	1
	Dr-21	1
	Dr-22	1
	Dr-25	1



	Dr-18	1
	Dr-19	1
	Dr-25a	2
	Dr-27	2



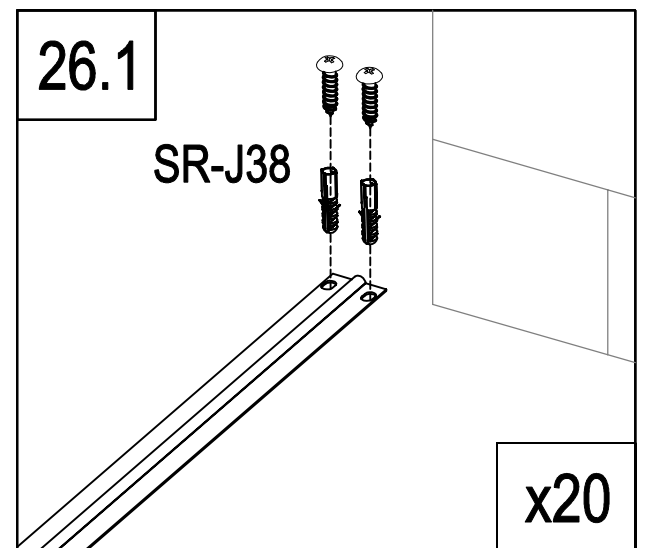
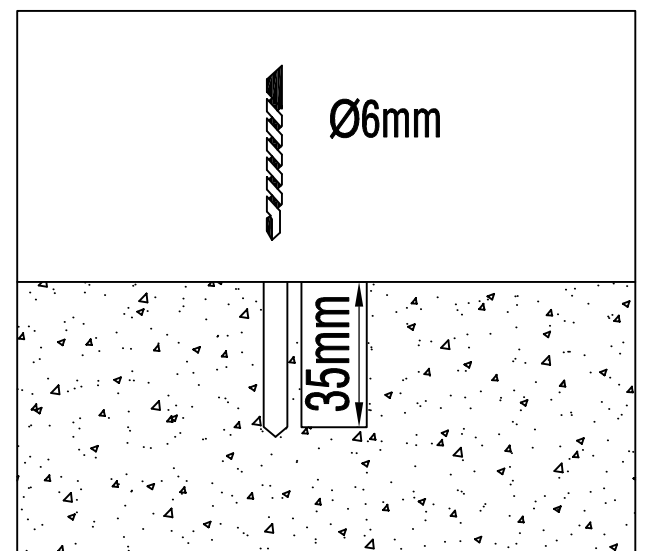
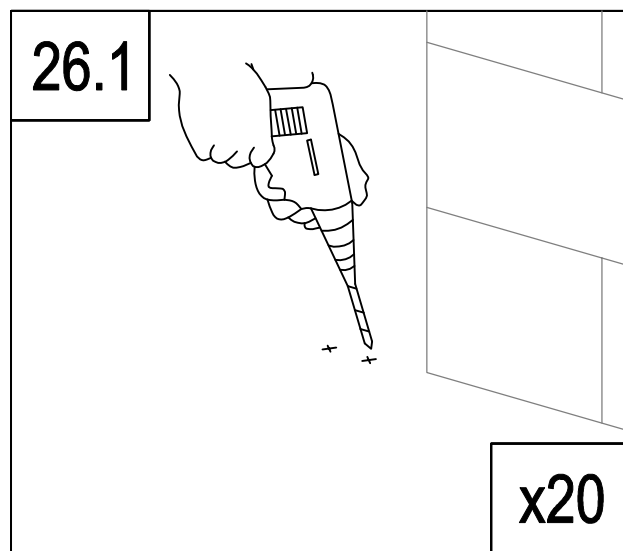
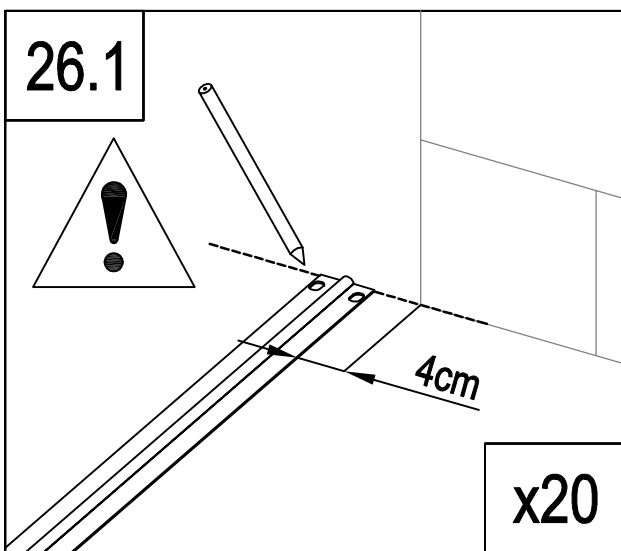
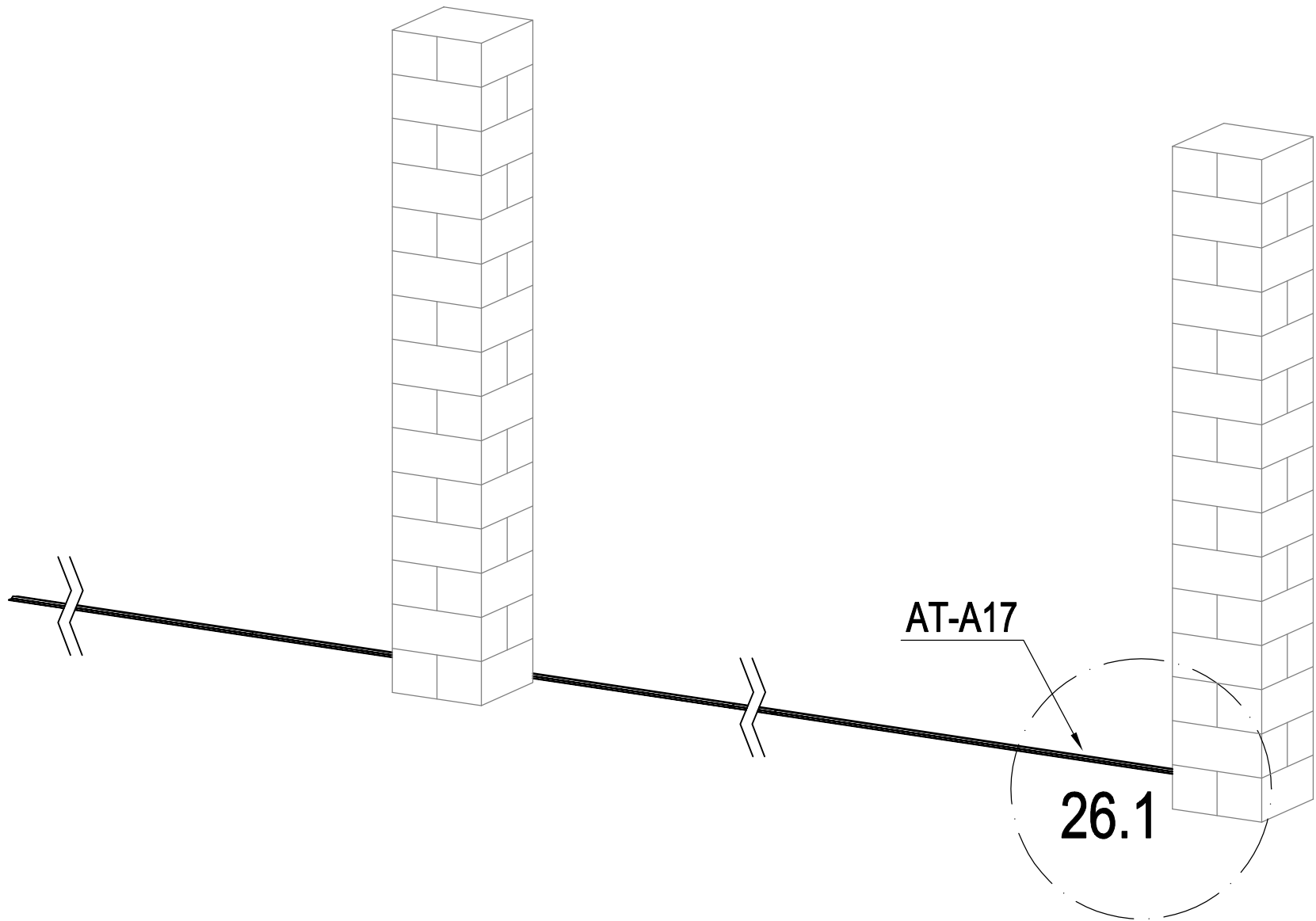
	AT-16	1
	AT-21	1
	SR-J36	2
	SR-J31	3







	AT-22	1
	SR-J31	4

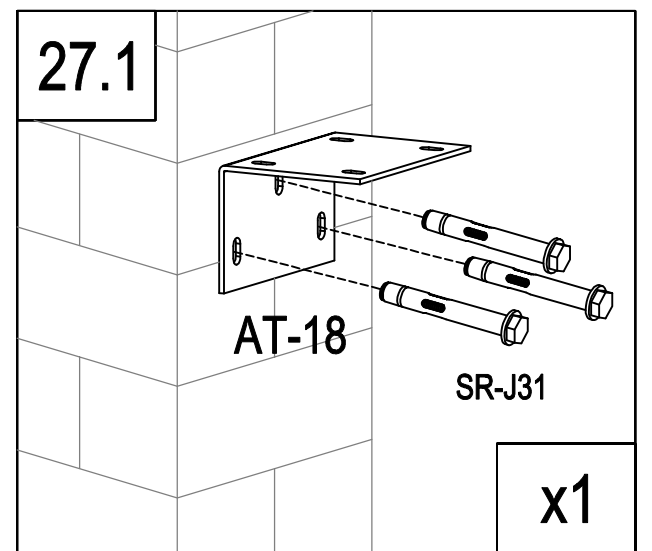
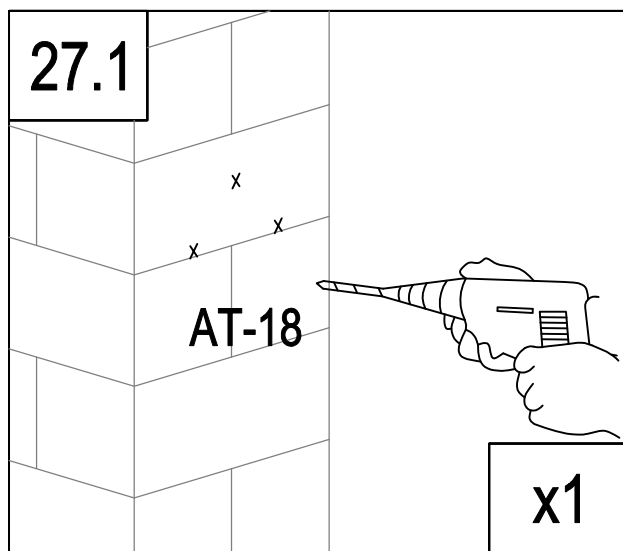
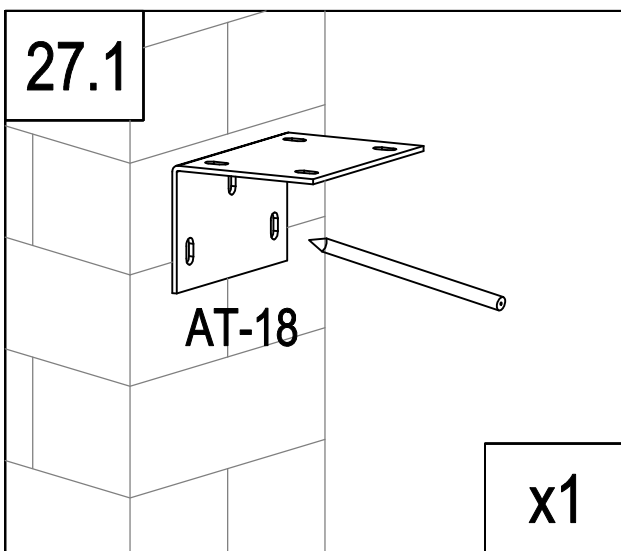
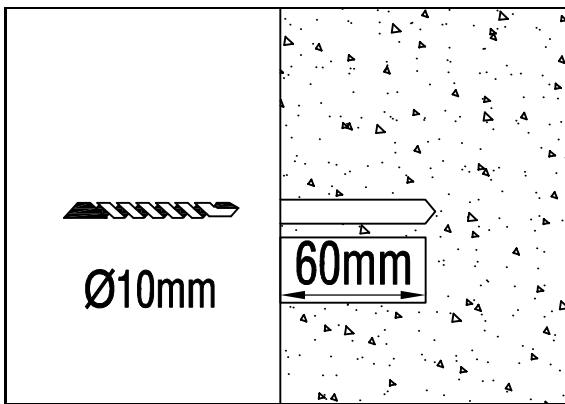
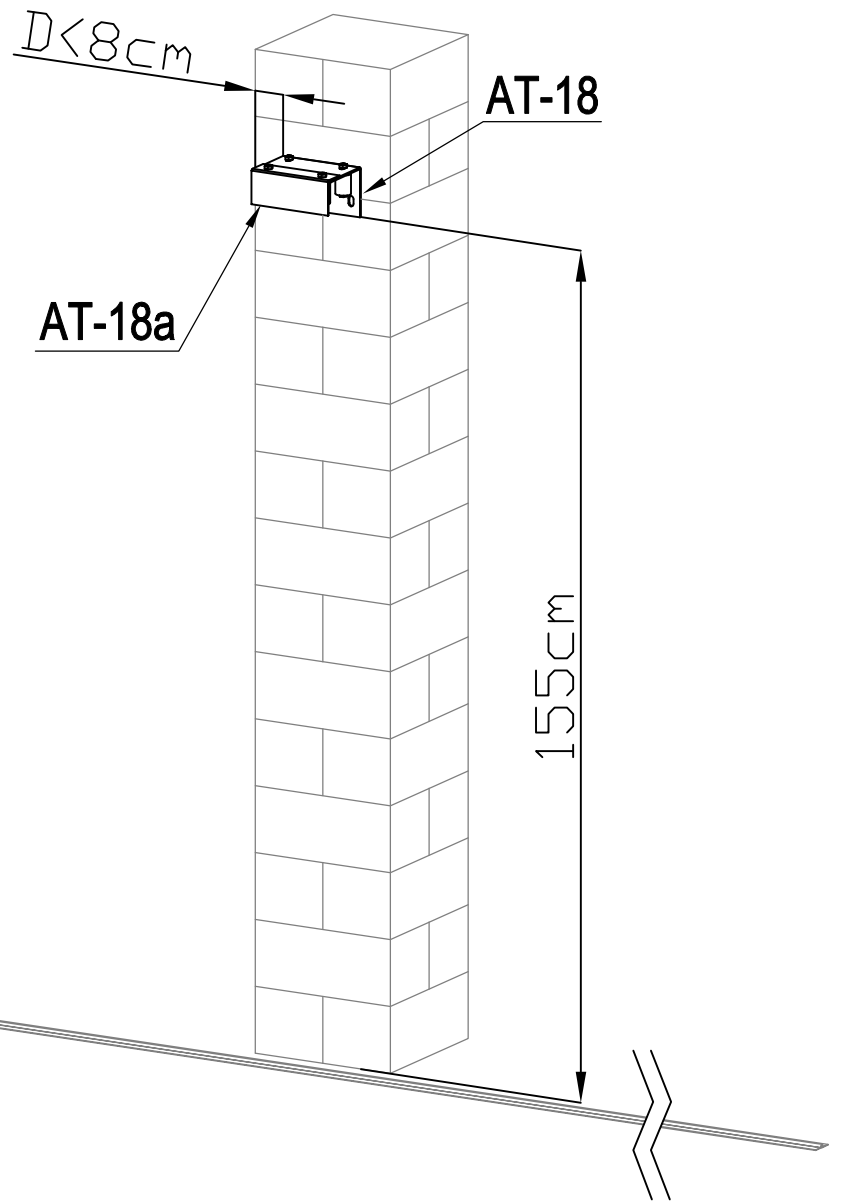
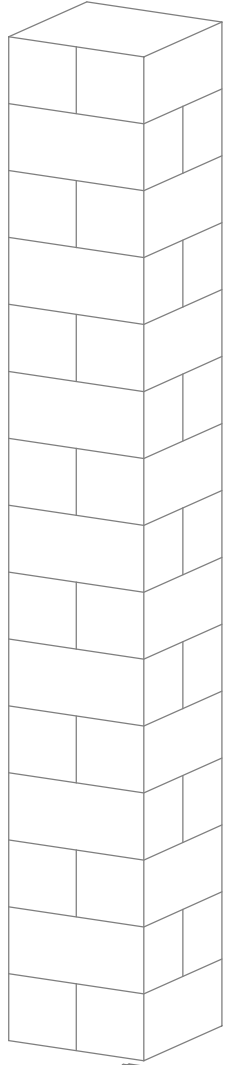
R



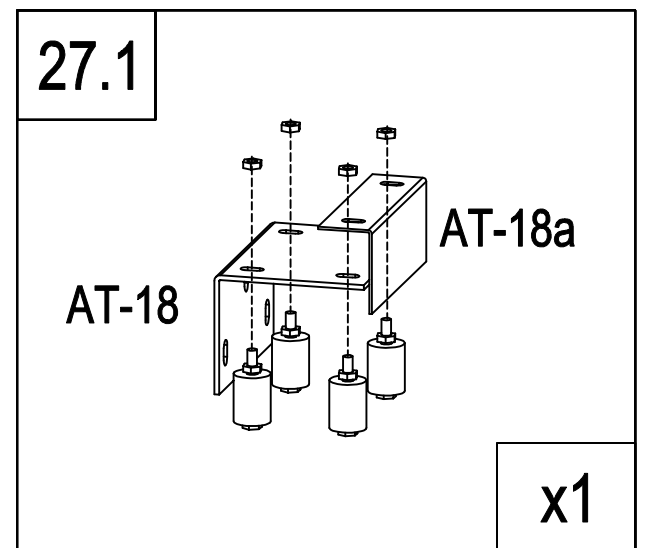
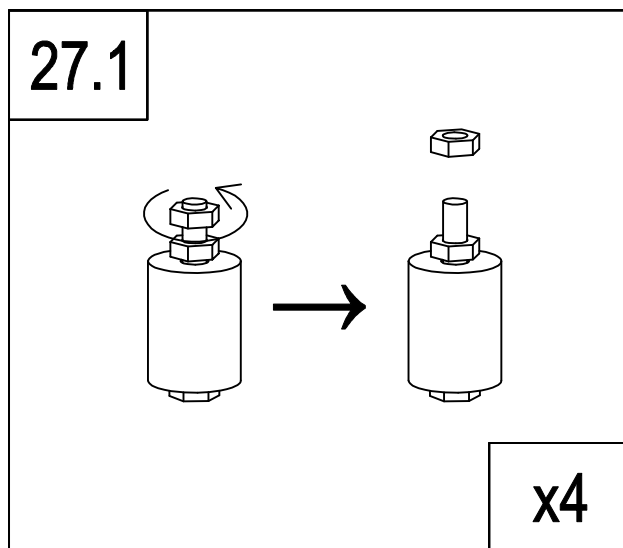
	AT-A17	5
	SR-J38	40

R

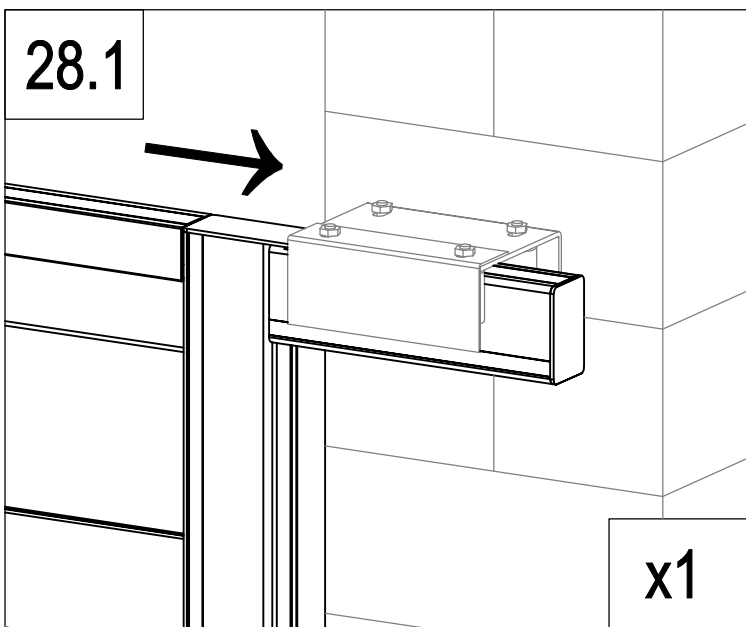
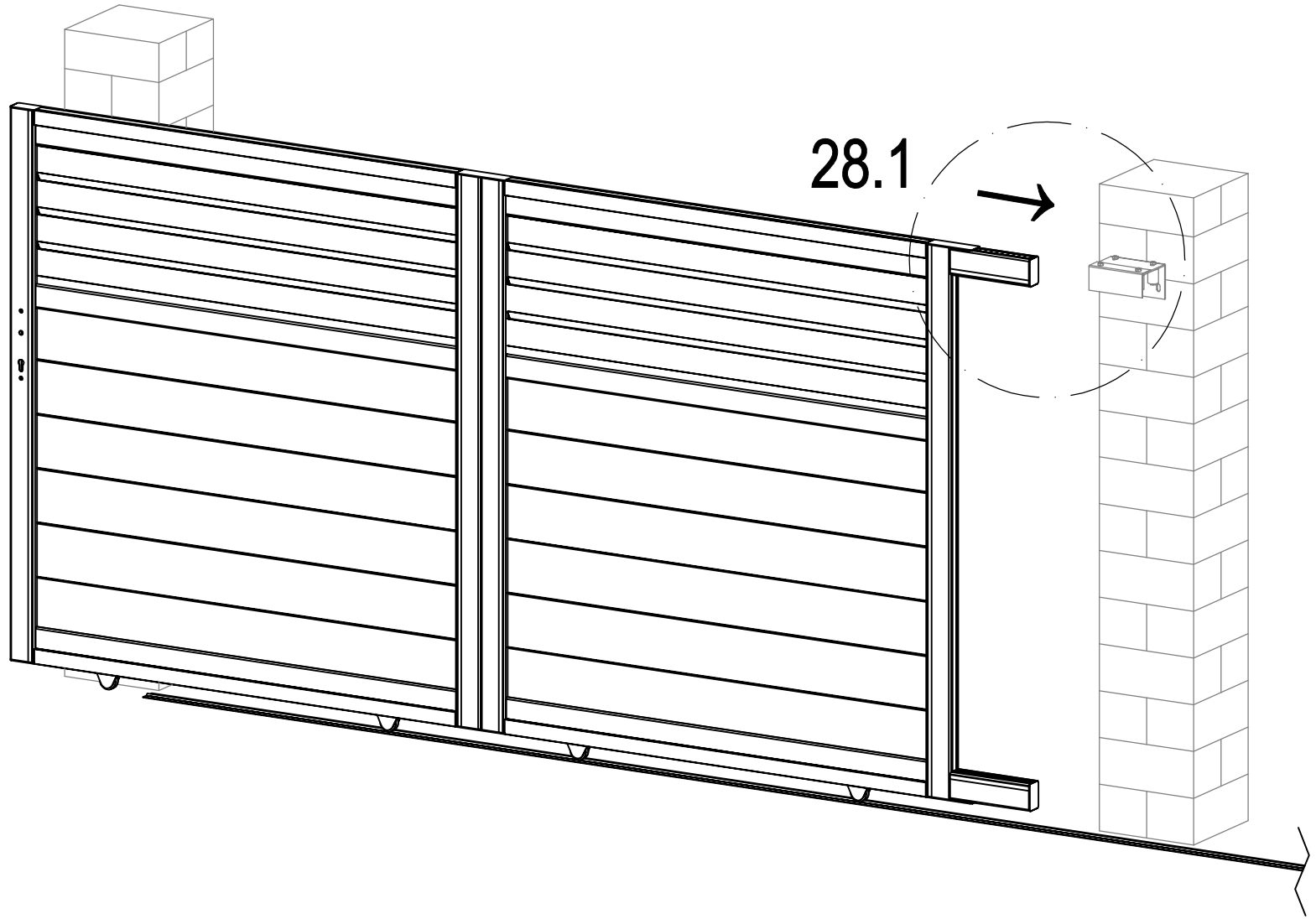
180°



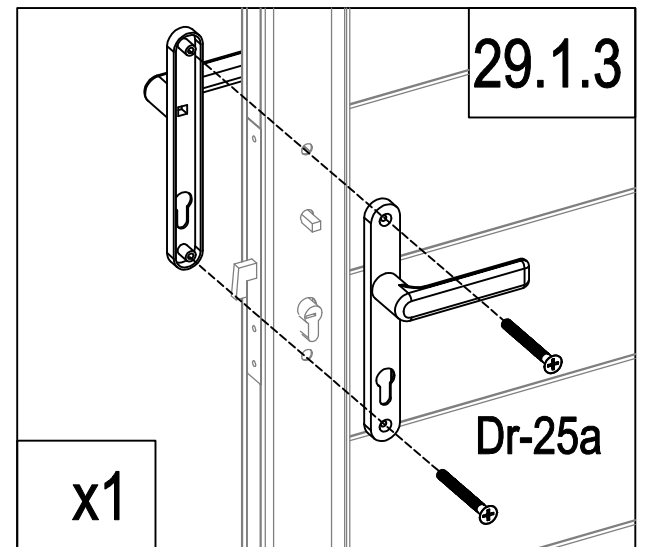
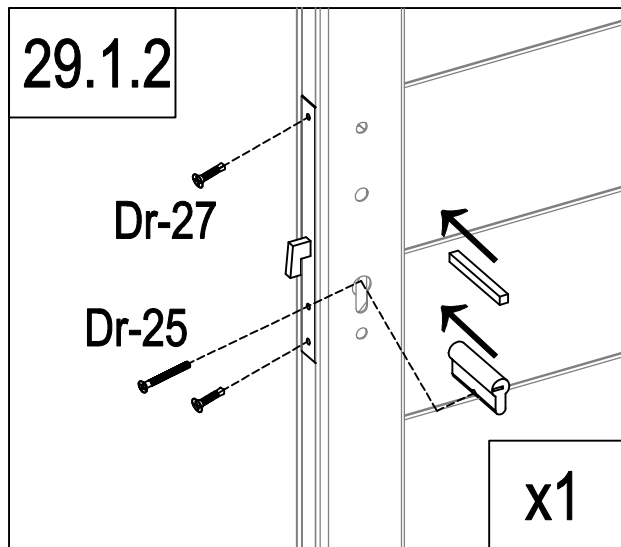
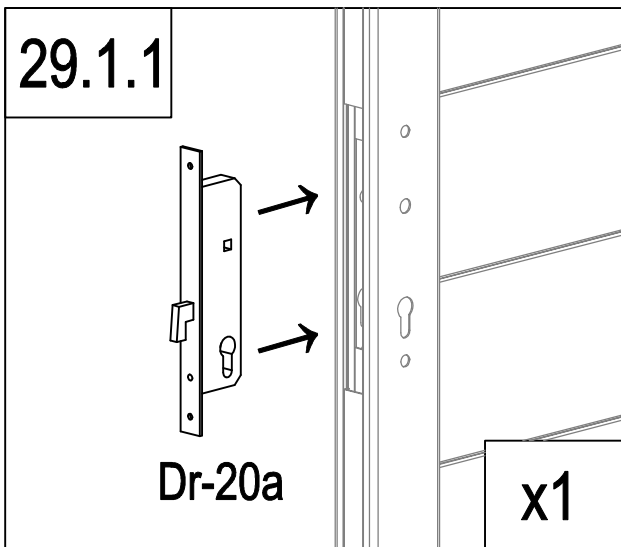
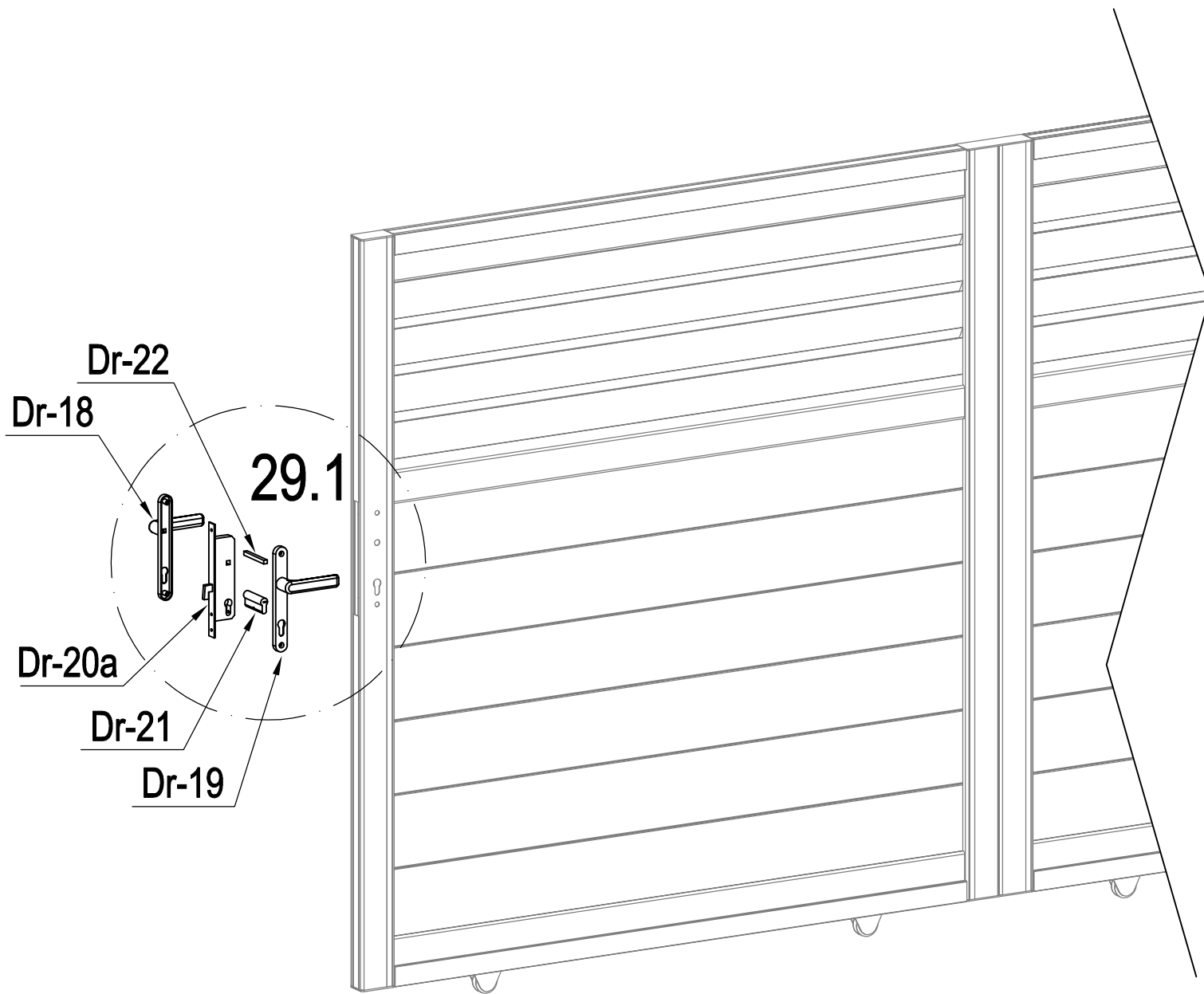
	AT-18	1
	AT-18a	1
	AT-20	4
	SR-J31	3



R

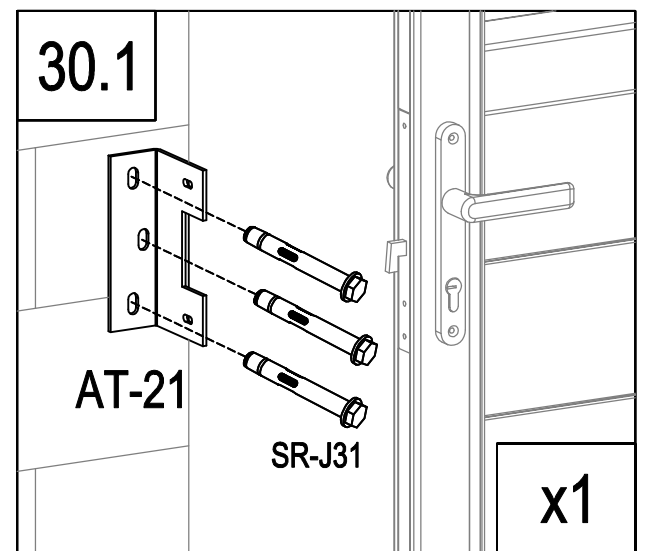
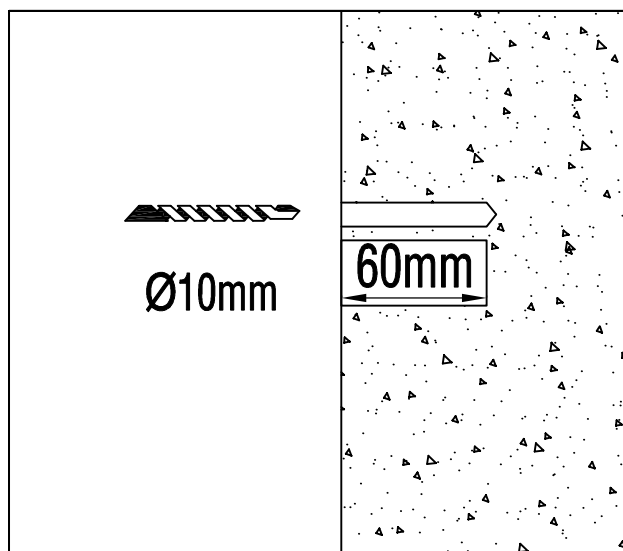
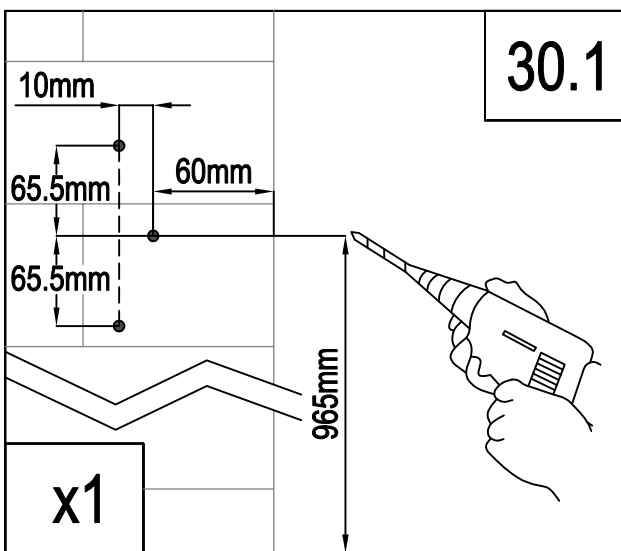
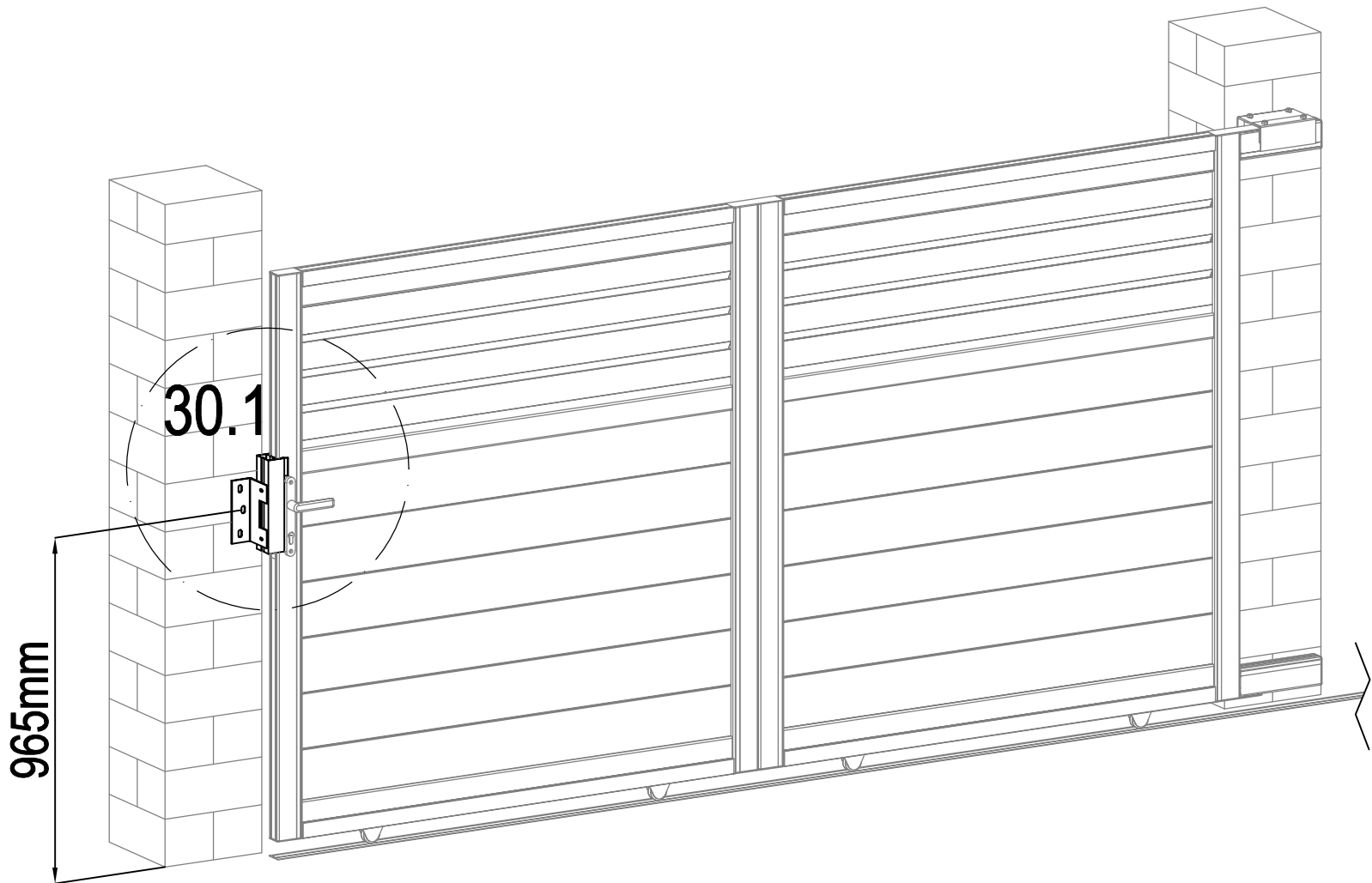


R

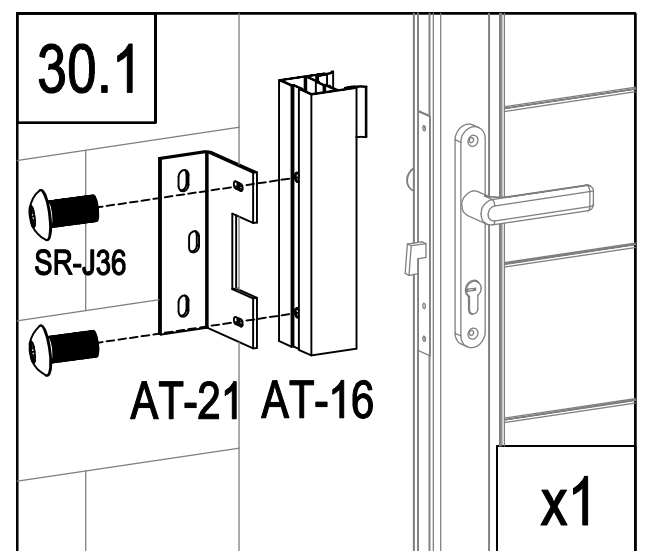


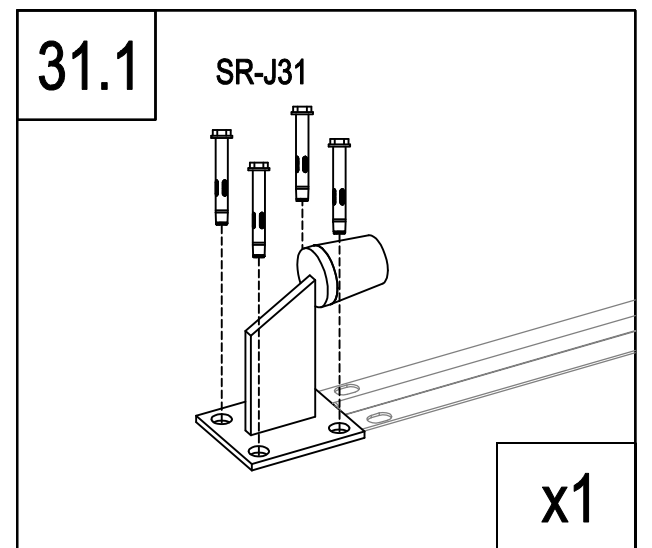
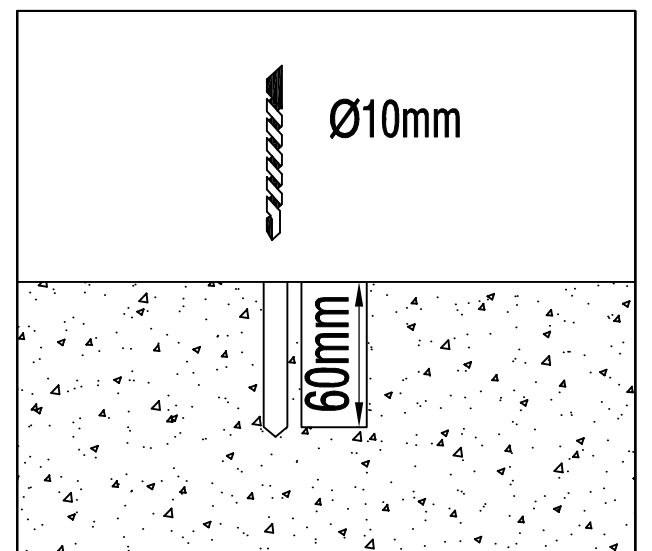
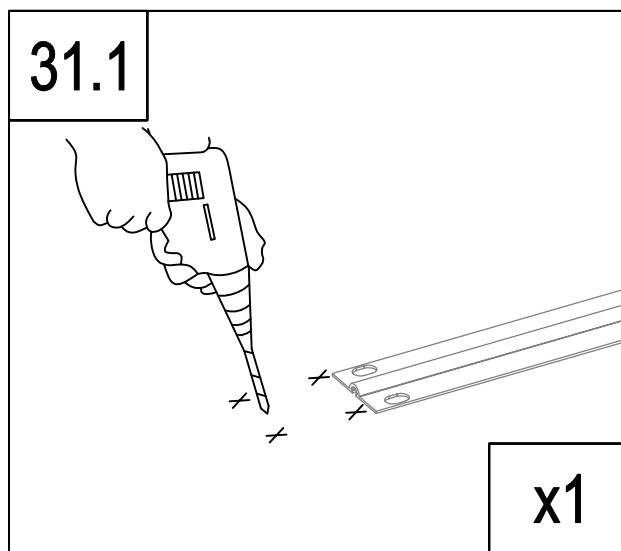
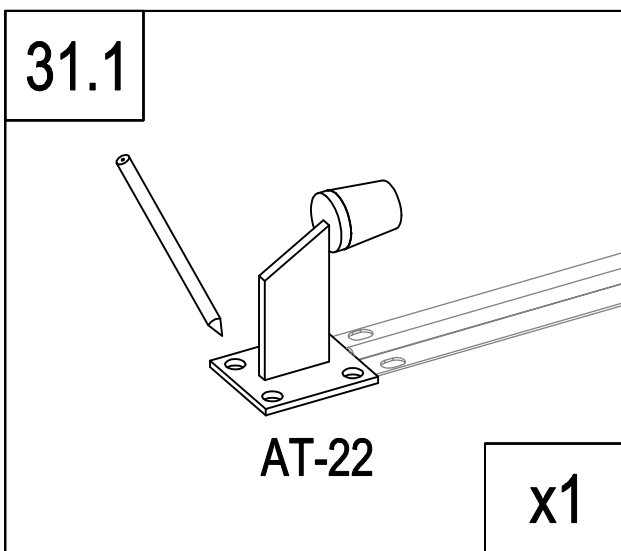
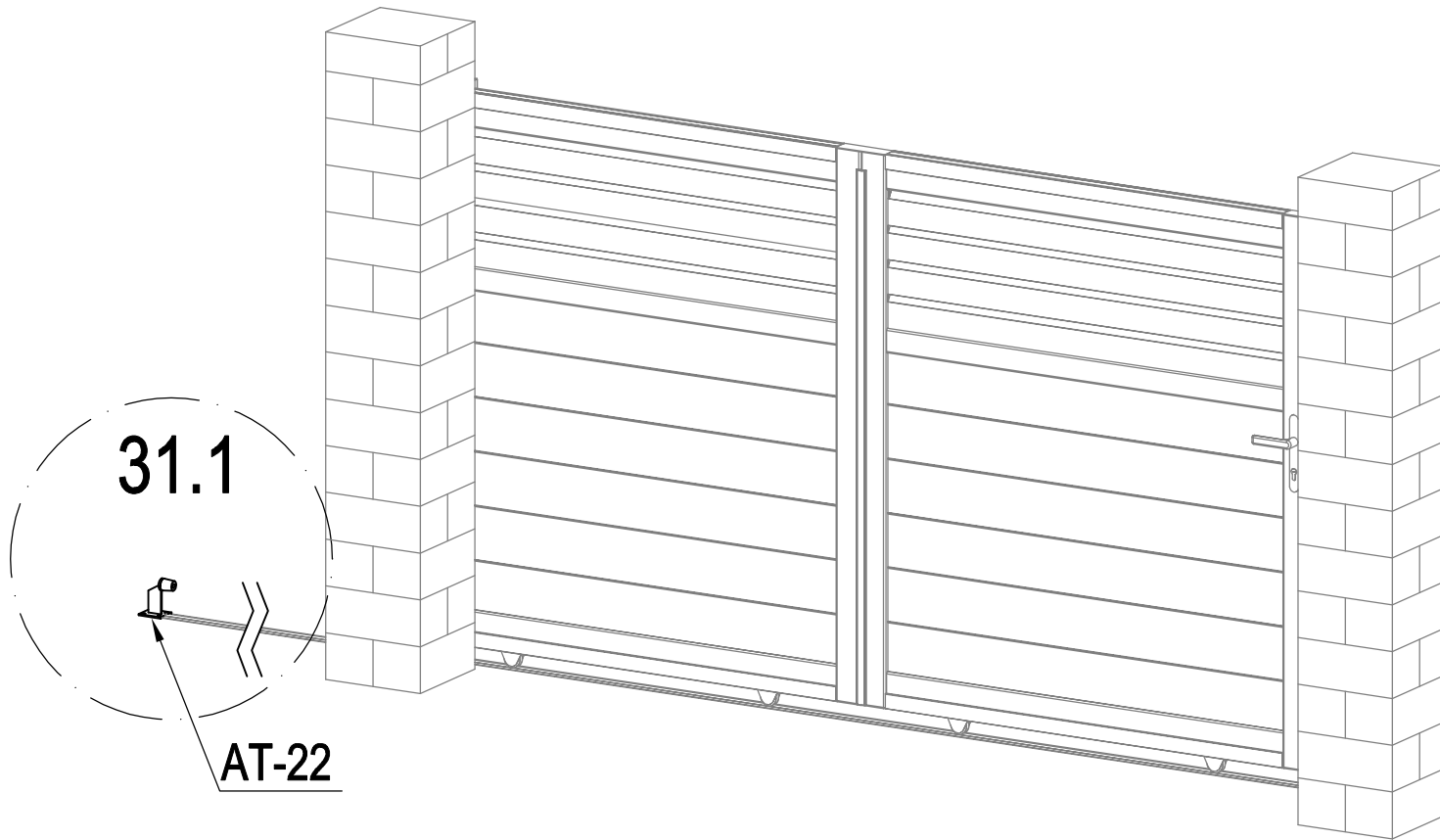
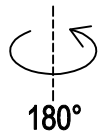
	Dr-20a	1
	Dr-21	1
	Dr-22	1
	Dr-25	1



	Dr-18	1
	Dr-19	1
	Dr-25a	2
	Dr-27	2



	AT-16	1
	AT-21	1
	SR-J36	2
	SR-J31	3





	AT-22	1
	SR-J31	4