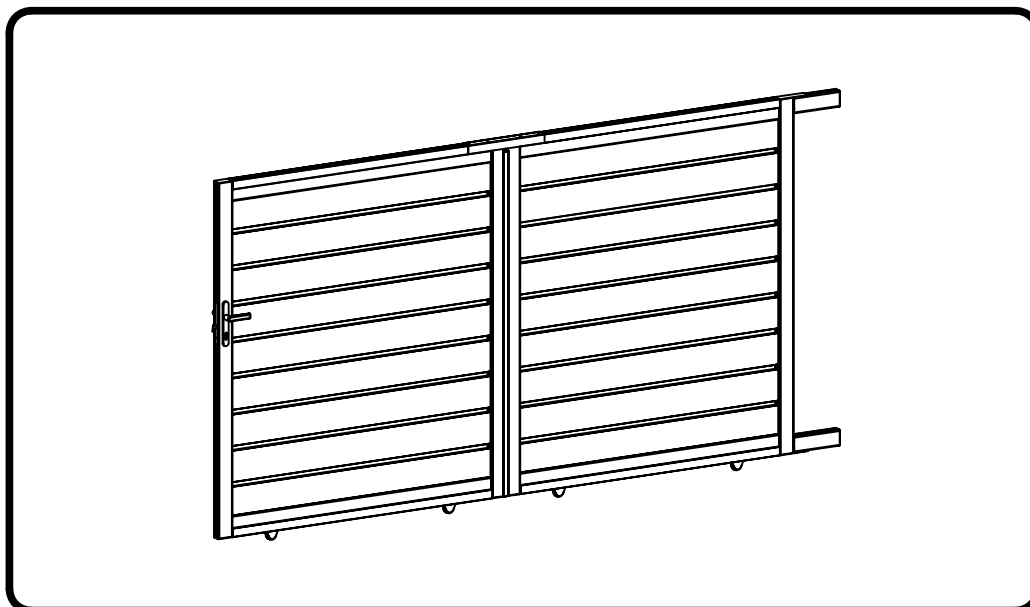


CASANOVO

VOGEL 300C180



7-8H



x2

COM-000043

[x1]

COM-000044

[x1]

COM-000045

[x1]

FR

EN

ES

DE

IT

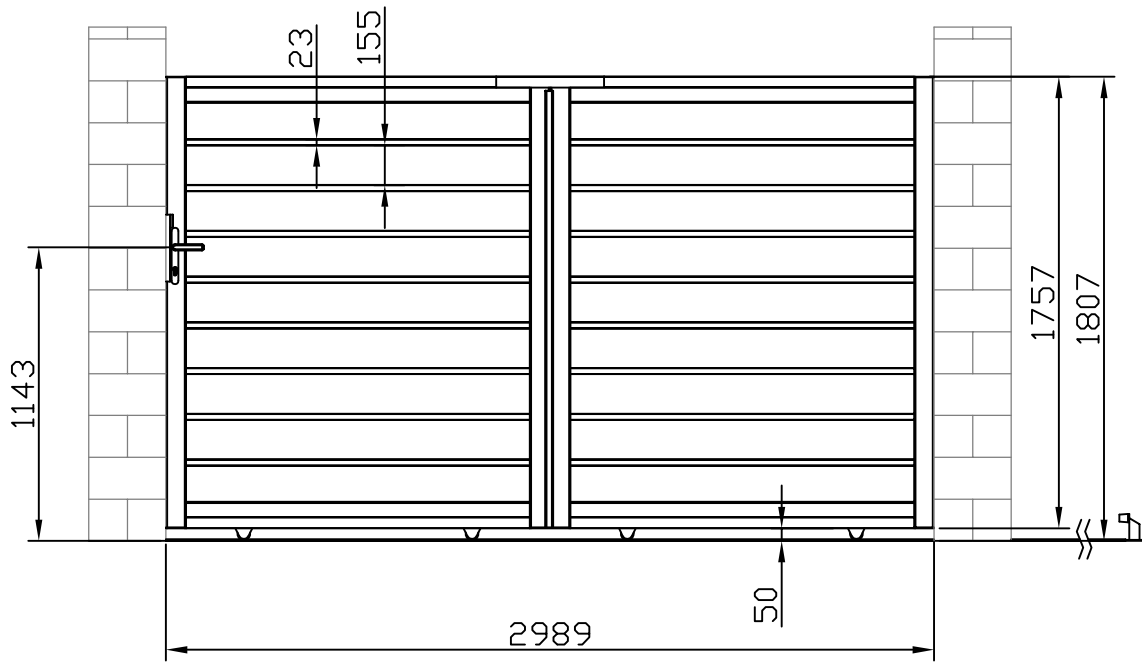
NL

PL

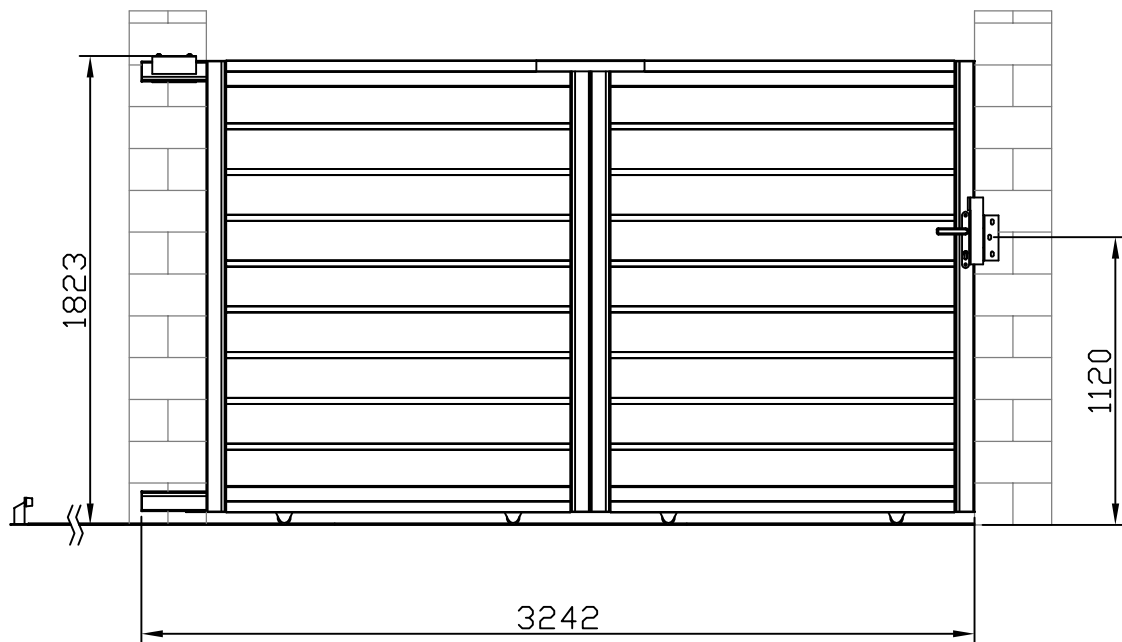
PT

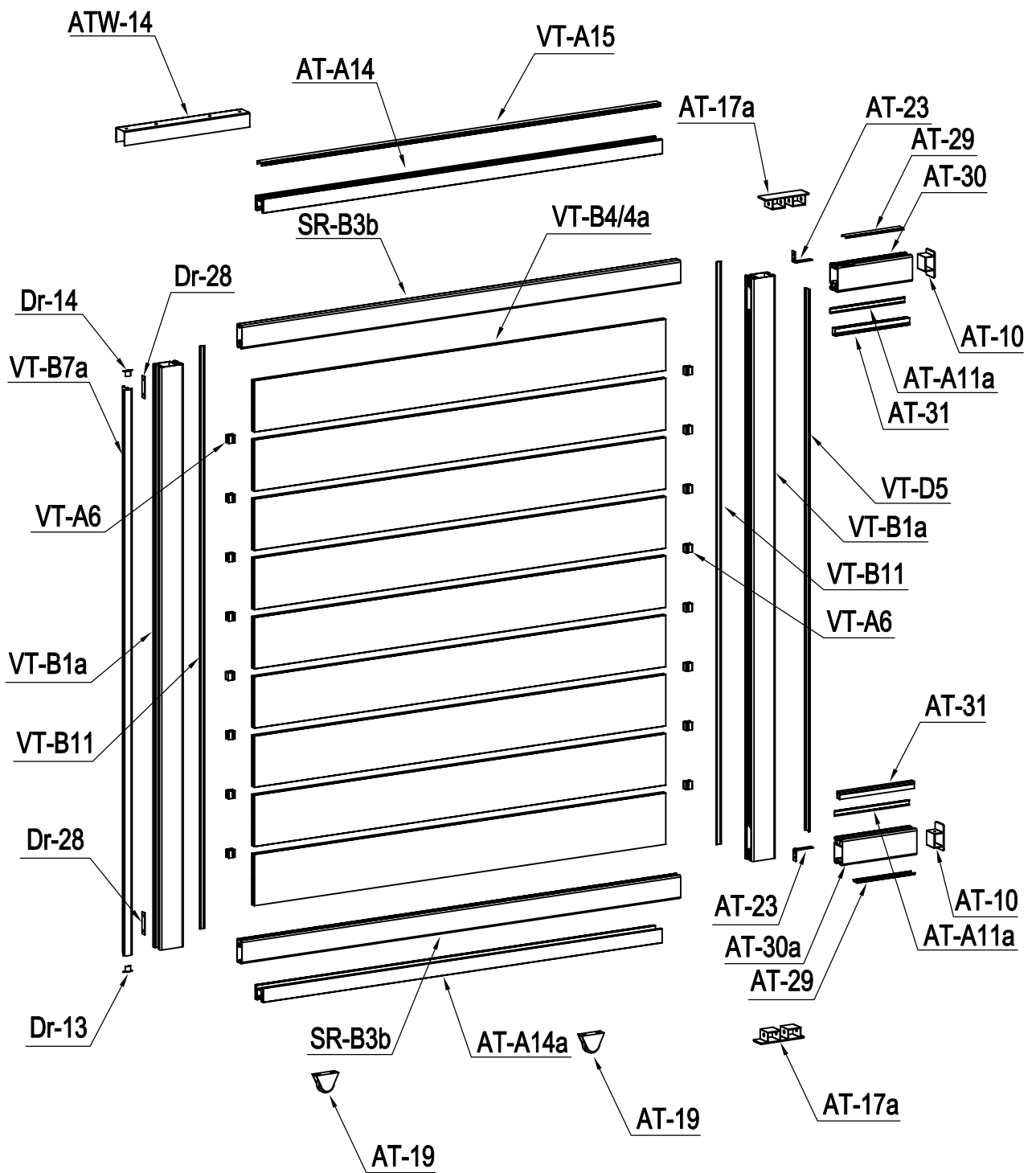


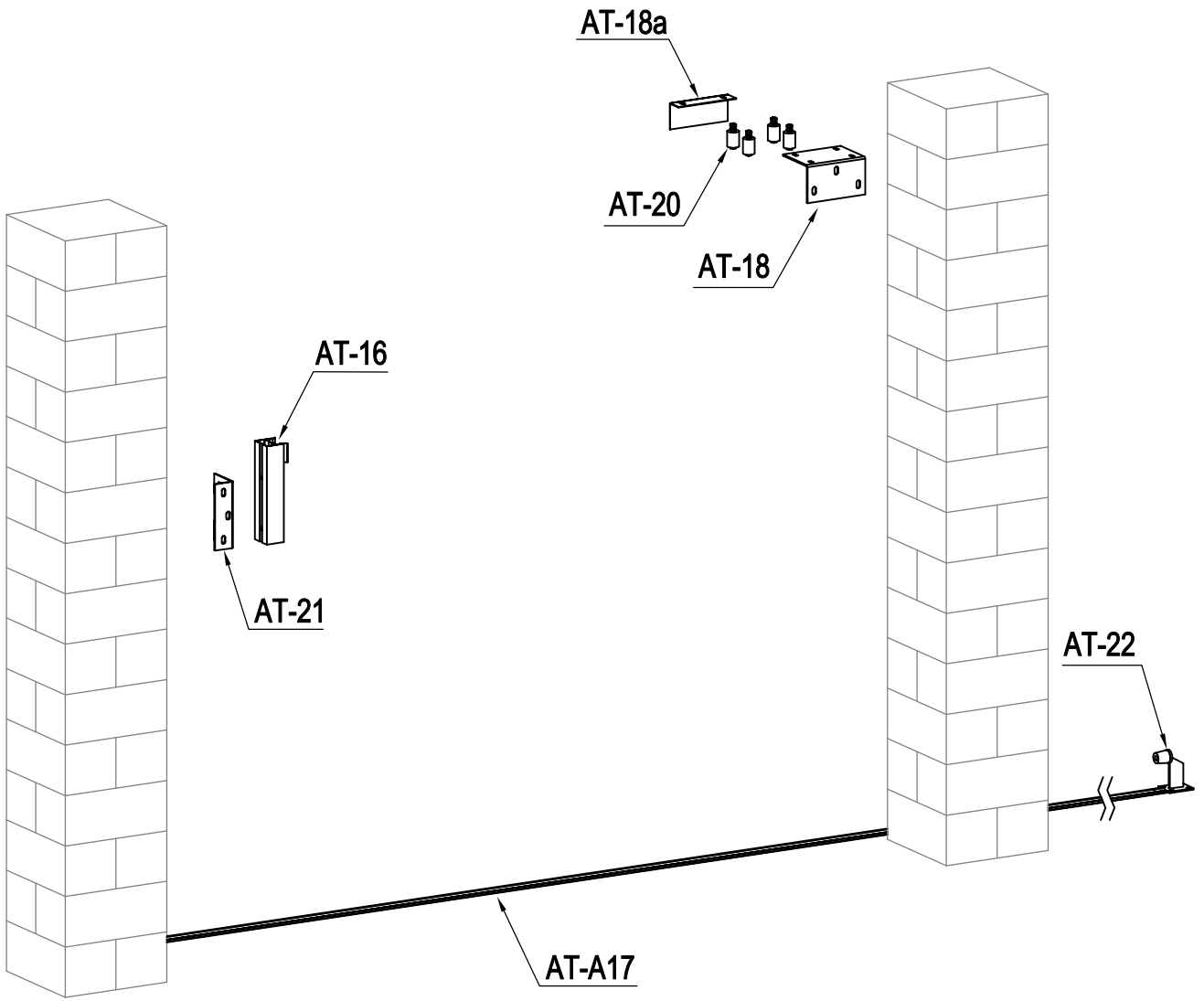
Ext.



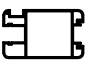




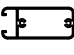

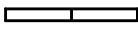

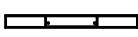






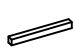






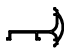
















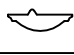



Int.

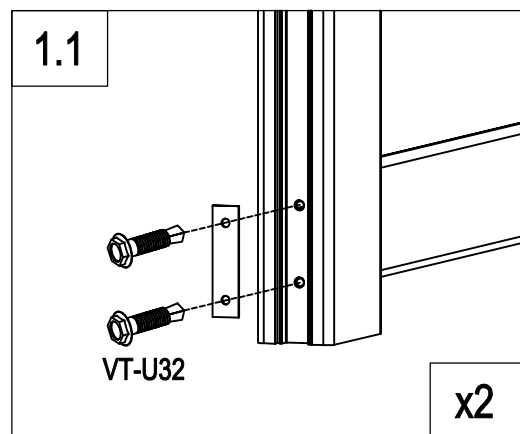
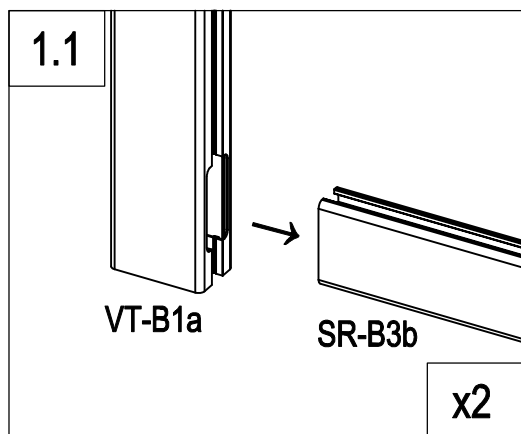
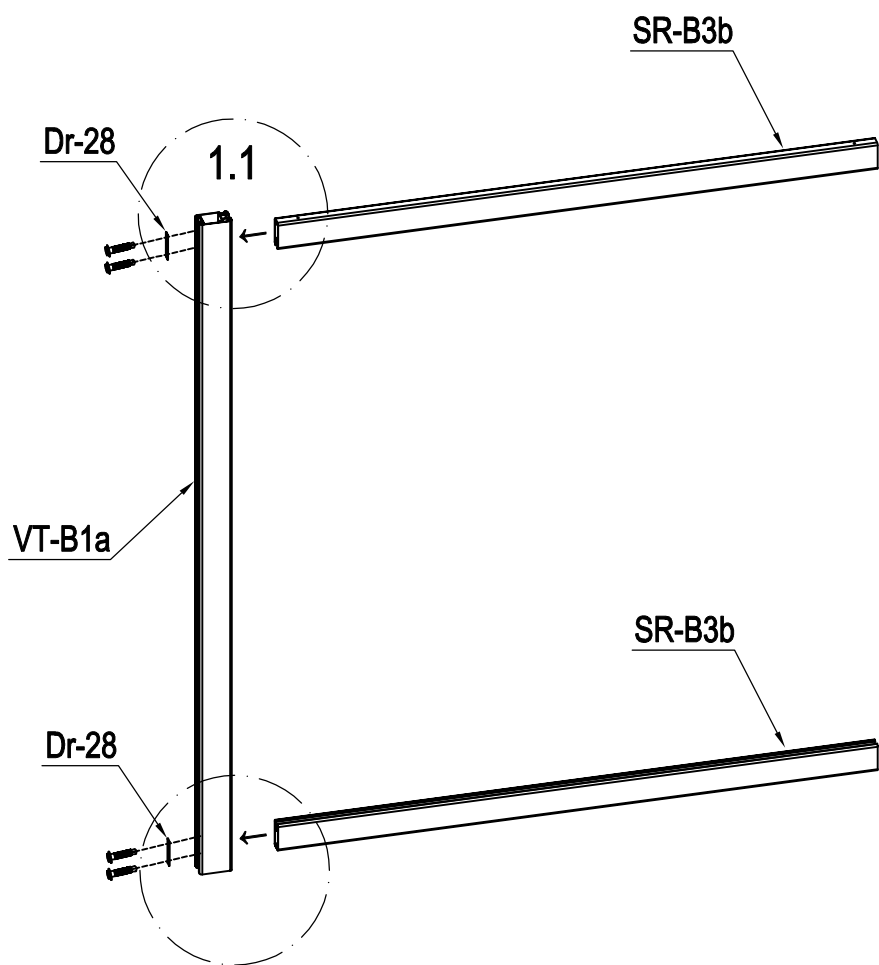



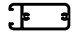




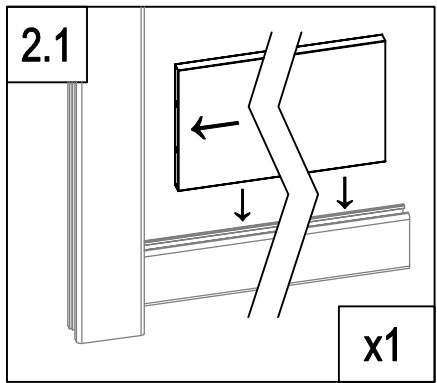
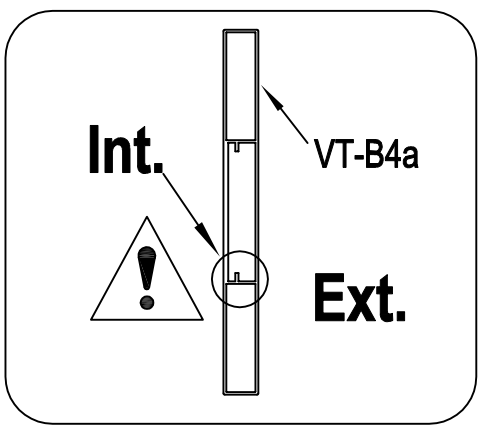
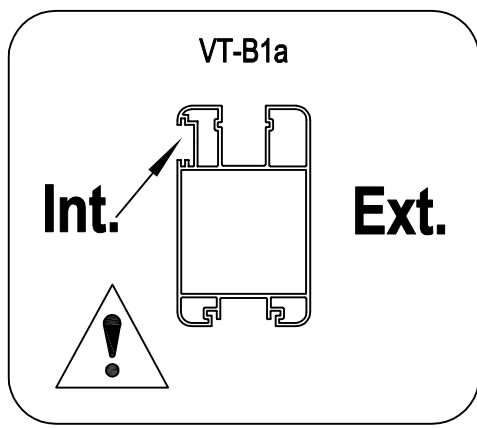
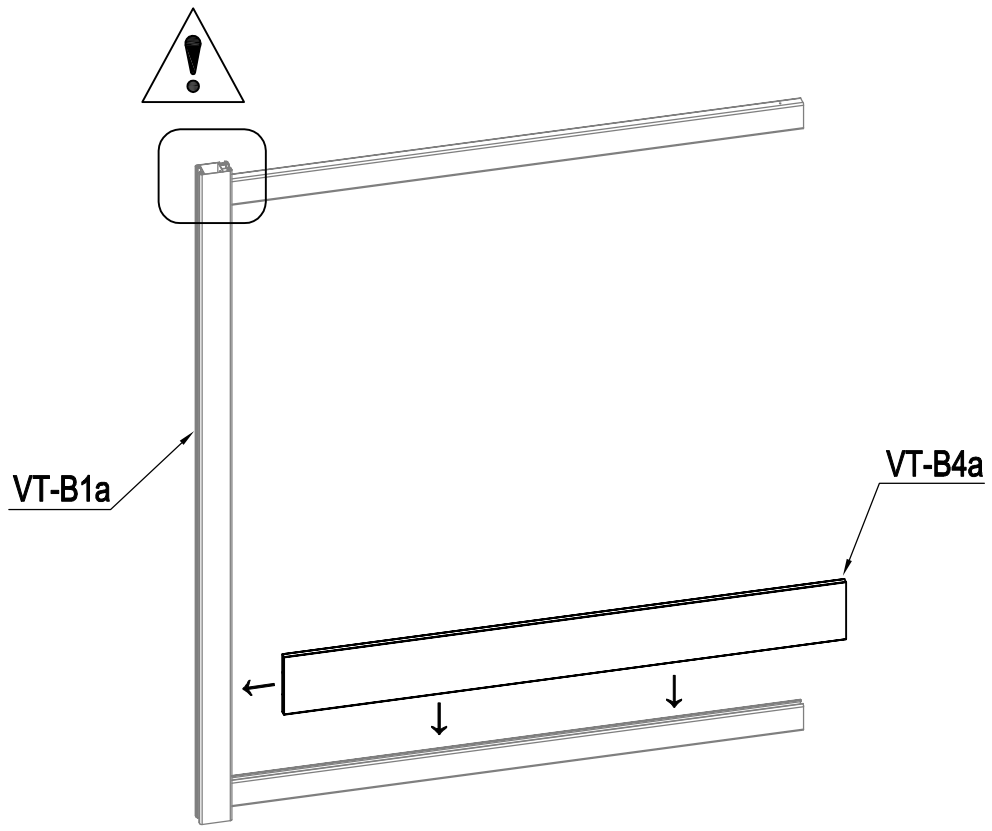


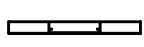
PART LIST

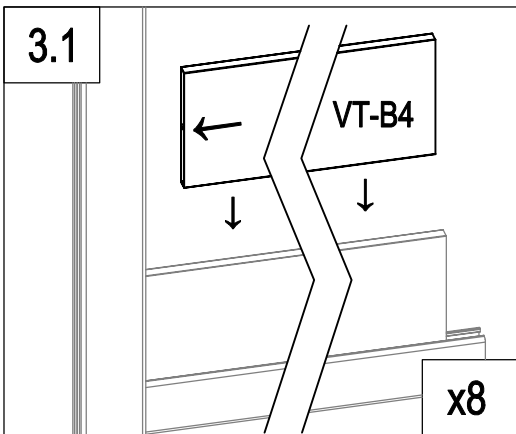
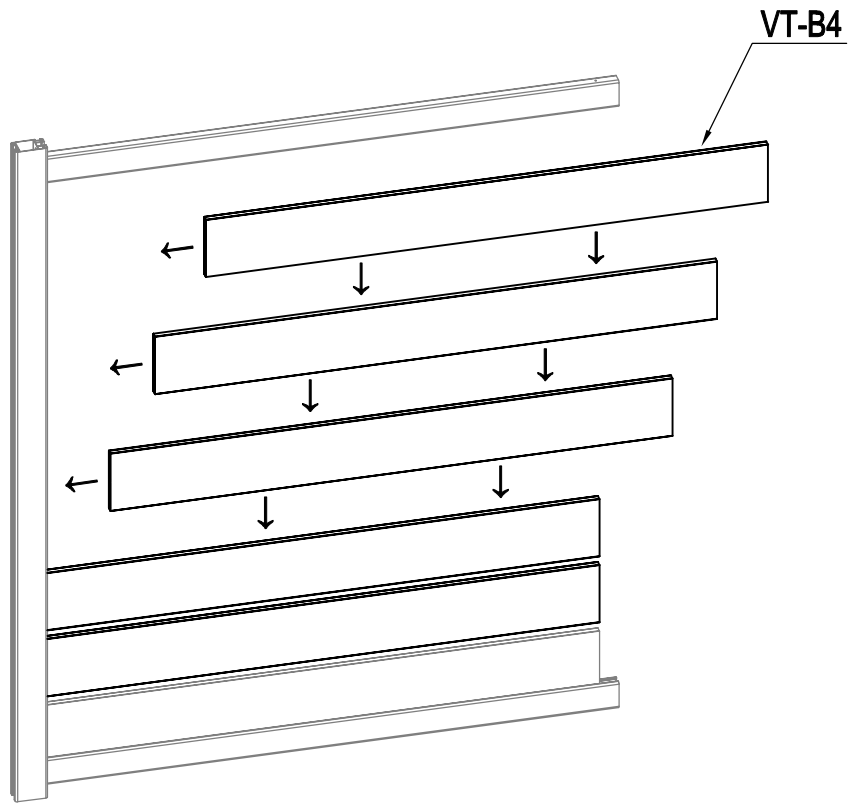
IMAGE	NO.	L.(mm)	QTY	IMAGE	NO.	L.(mm)	QTY
	VT-B1a	1751	3		AT-18		1
	VT-B2	1751	1		AT-18a		1
	AT-30	250	1		AT-19		4
	AT-30a	250	1		AT-20		4
	SR-B3b	1471	4		AT-21		1
	VT-B4	1380	16		AT-22		1
	VT-B4a	1380	2		AT-23		2
	VT-D5	1626	1		Dr-18		1
	VT-B5a	573.5	1		Dr-19		1
	Dr-A5b	937	1		Dr-20a		1
	VT-B5b	1751	1		Dr-21		1
	AT-29	193	2		Dr-22		1
	VT-B11	1751	4		Dr-25		1
	AT-A11a	250	2		Dr-25a		2
	VT-A6	23	32		Dr-27		2
	AT-31	250	2		VT-U30		4
	VT-B7a	1698	1		VT-U31		10
	AT-A14	1338	2		VT-U32		28
	AT-A14a	1338	2		VT-U33		4
	VT-A15	1337	2		VT-U34		76
	AT-16	260	1		VT-U35		6
	AT-A17	1212	5		VT-U36		2
	AT-17		2		VT-U37		8
	AT-17a		2		VT-U38		40
	AT-10		4		Dr-28		6
	Dr-13		1		AT-22J		7
	Dr-14		1		ATW-14		1




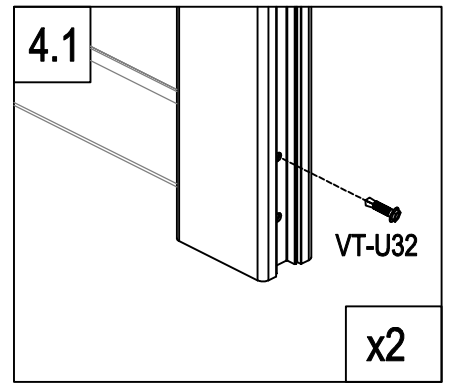
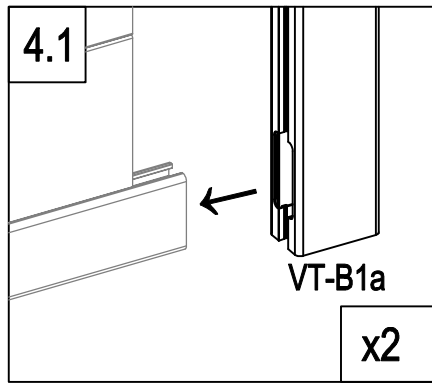
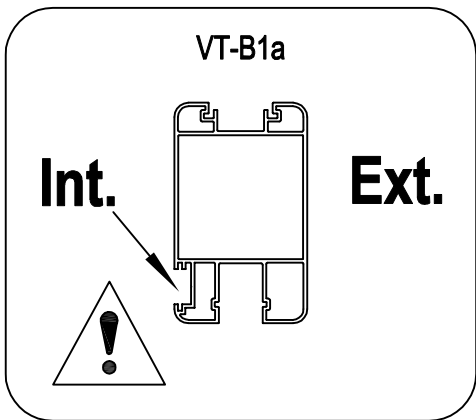
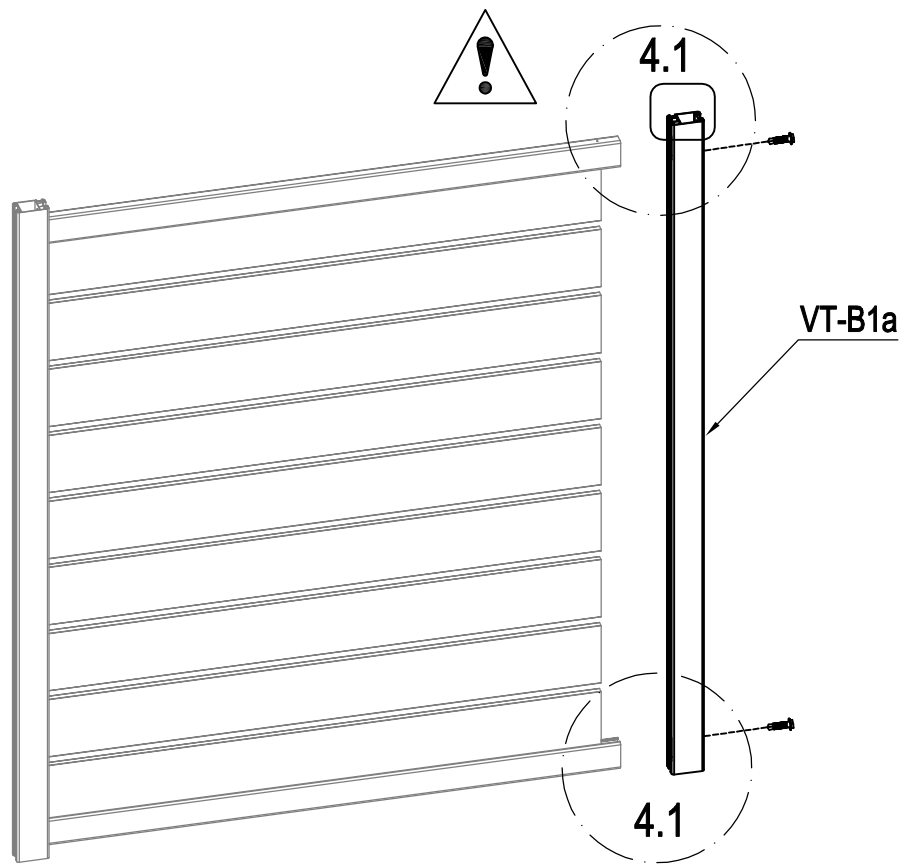
	VT-B1a	1
	SR-B3b	2
	Dr-28	2
	VT-U32	4

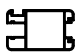



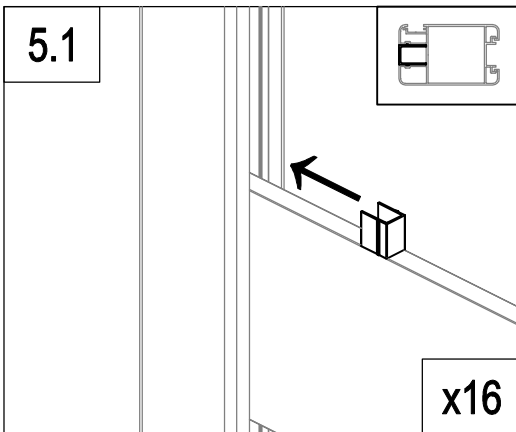
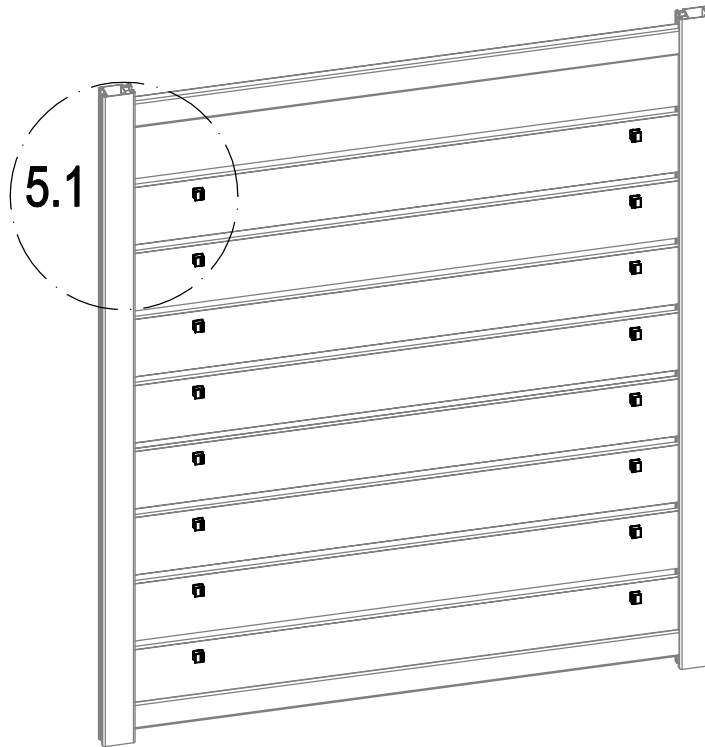
	VT-B4a	1
---	--------	---




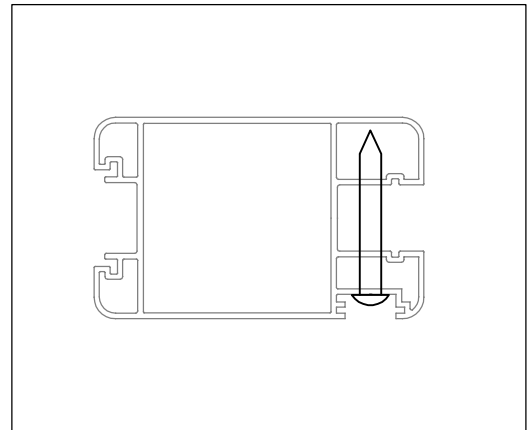
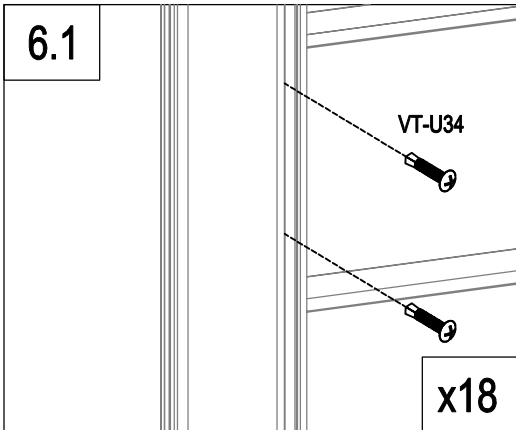
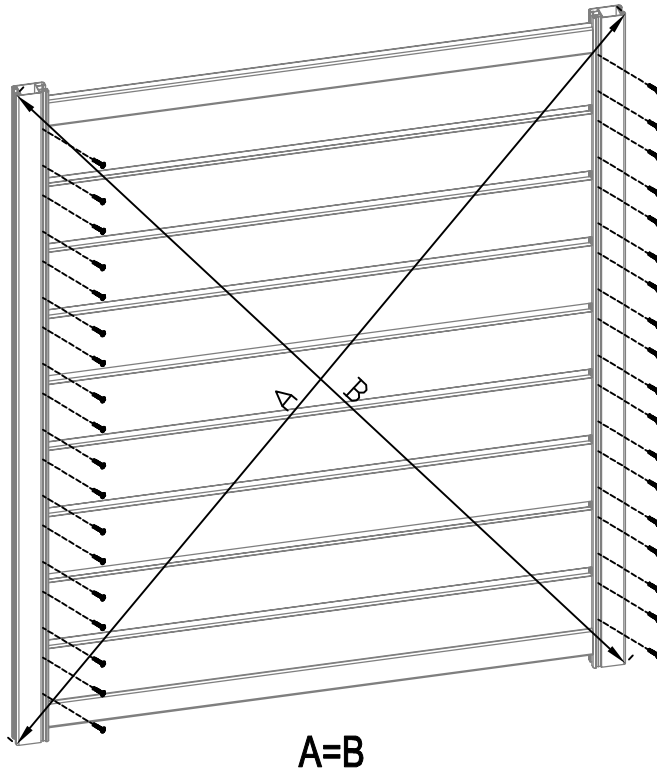
	VT-B4	8
---	-------	---




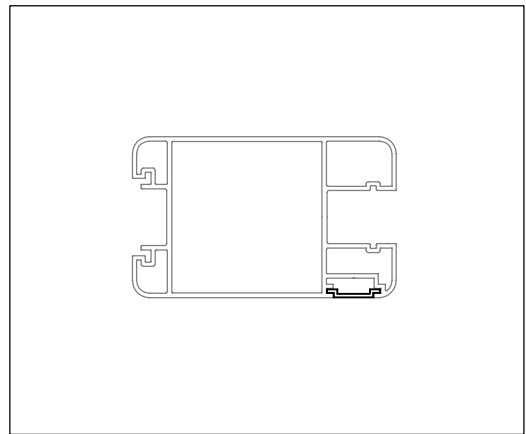
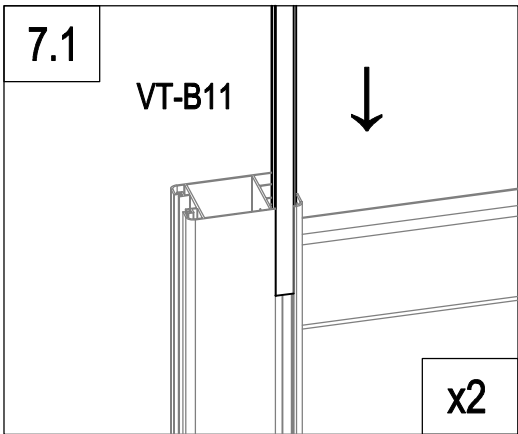
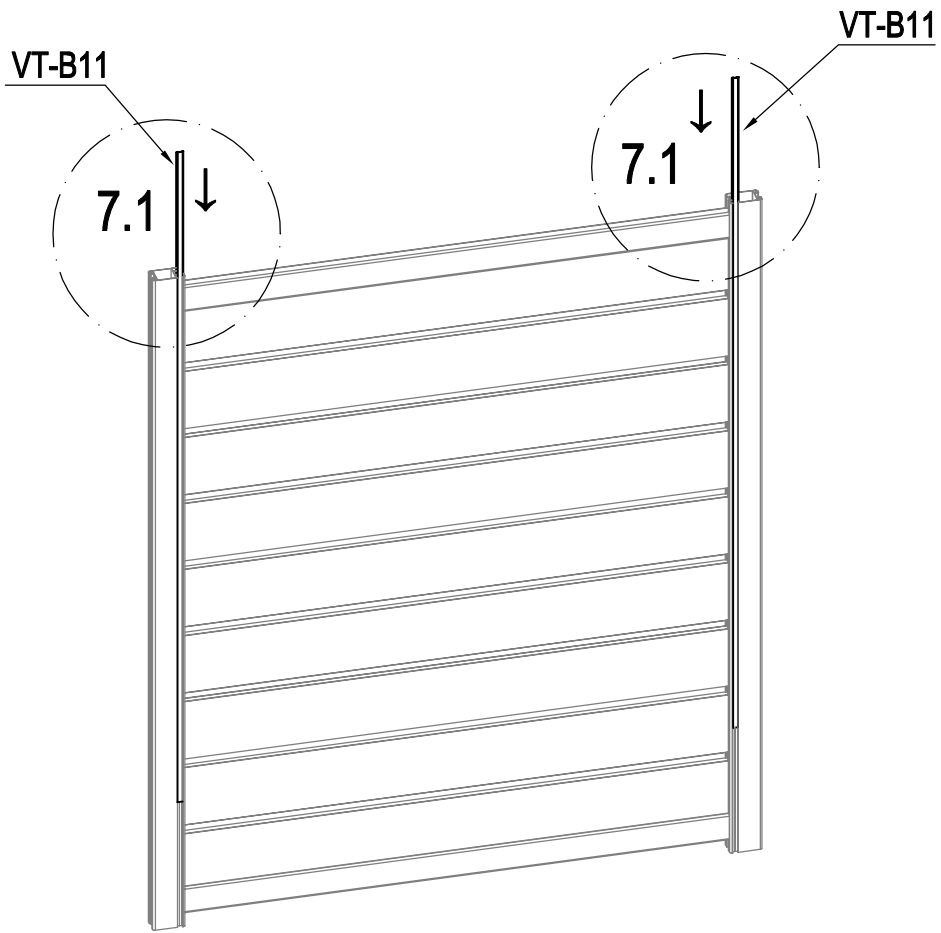
	VT-B1a	1
	VT-U32	2




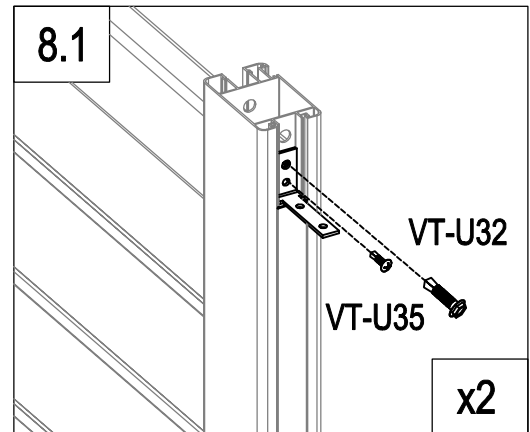
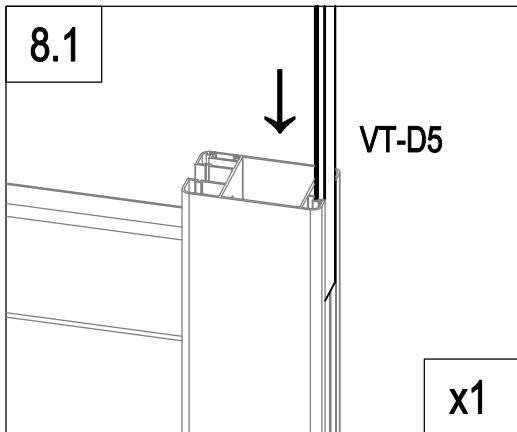
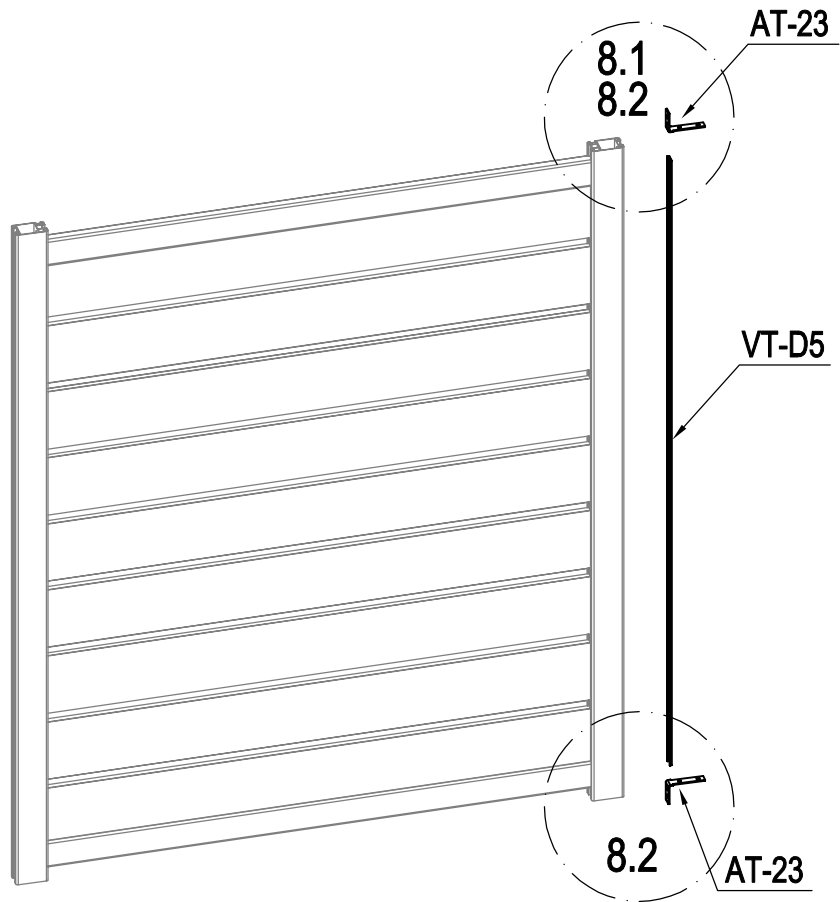
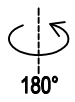
	VT-A6	16
---	-------	----



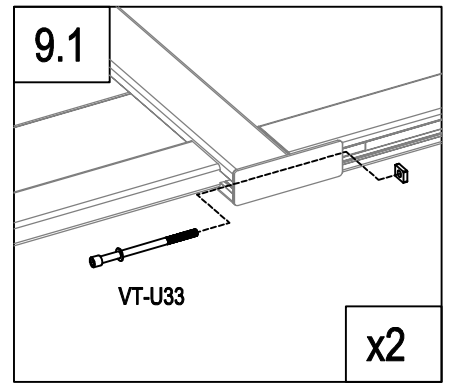
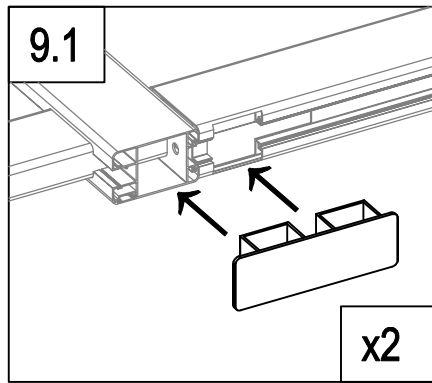
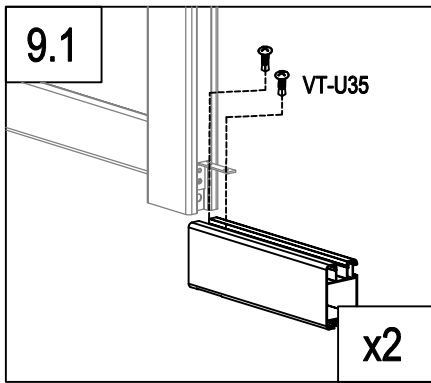
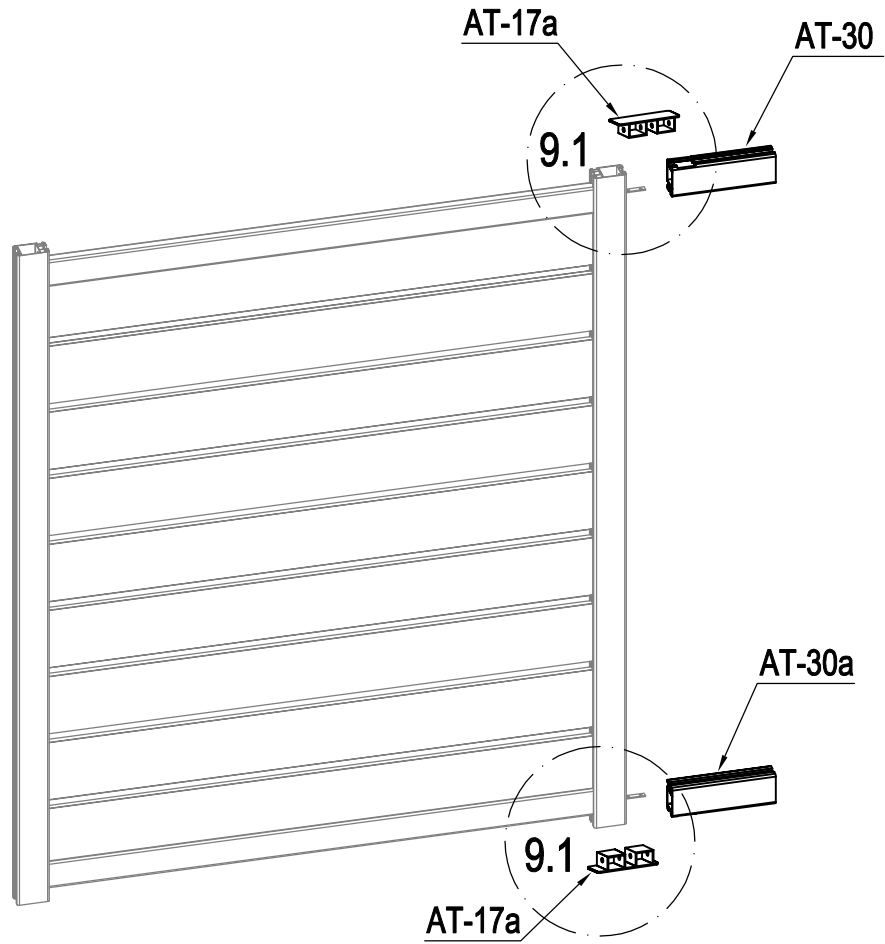
	VT-U34	36
---	--------	----



	VT-B11	2
---	--------	---

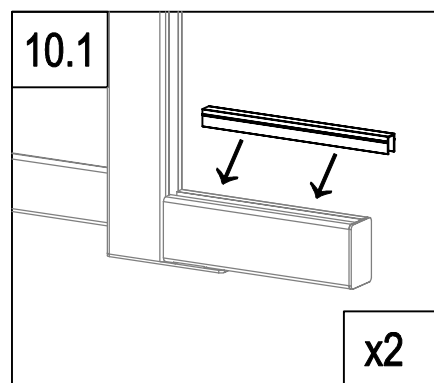
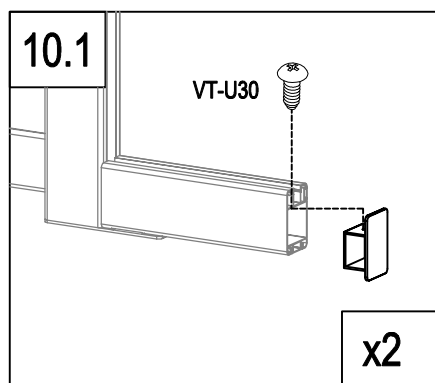
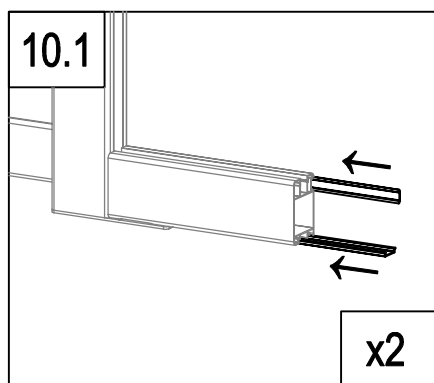
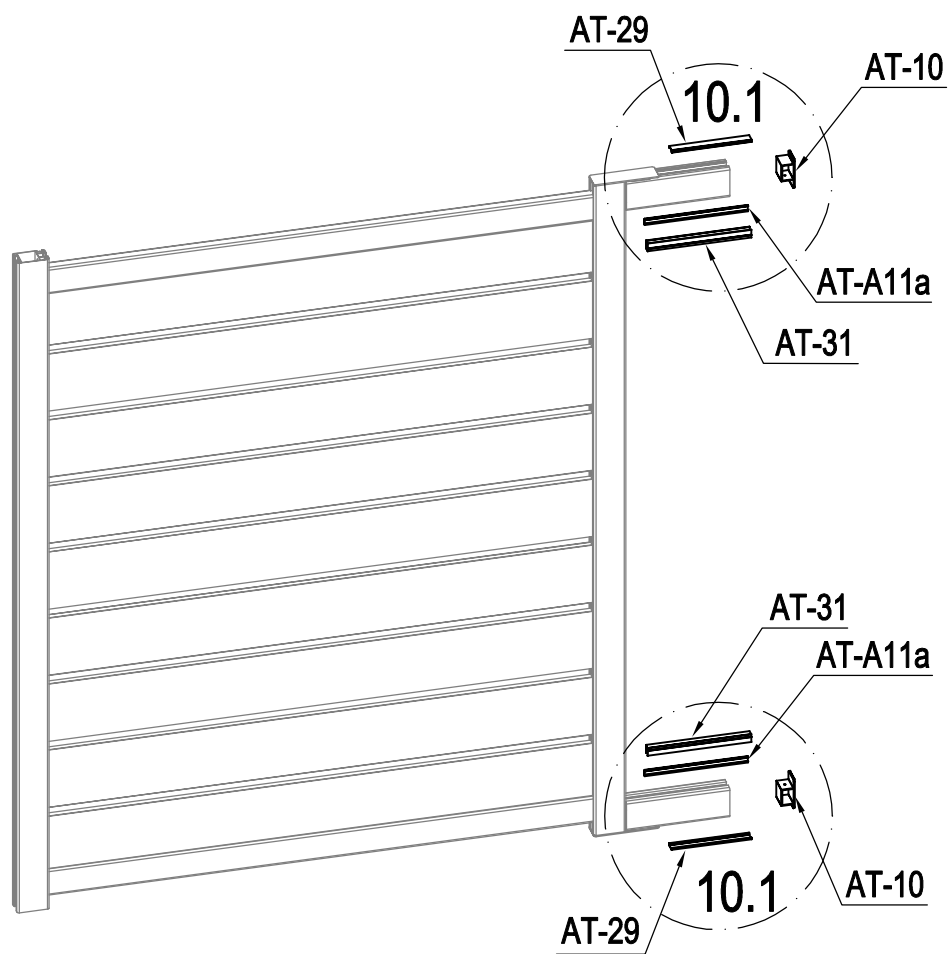


	VT-D5	1
	AT-23	2
	VT-U32	2
	VT-U35	2



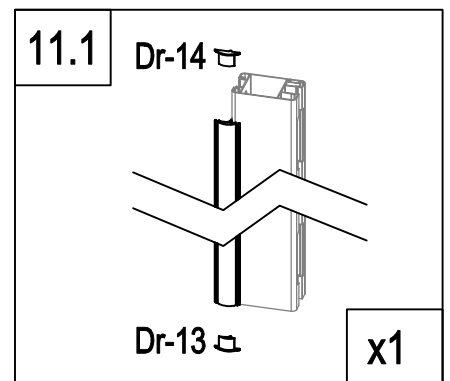
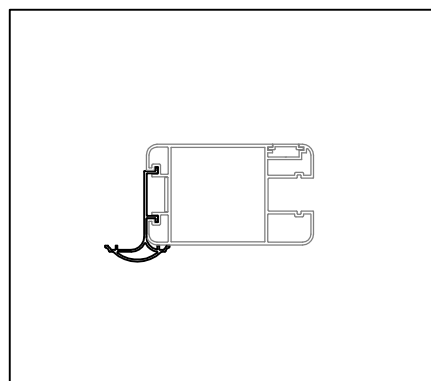
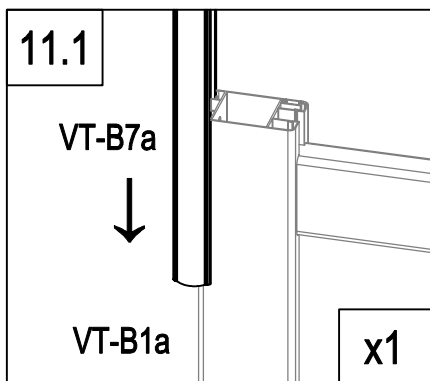
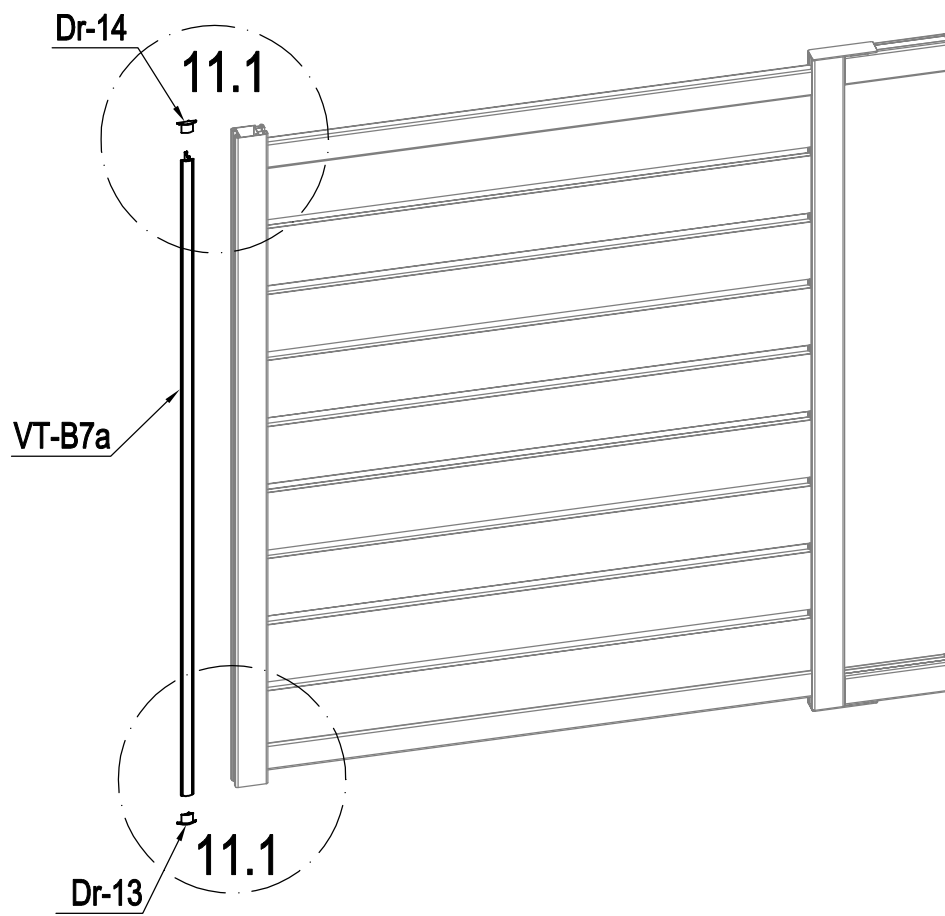
	AT-30	1
	AT-30a	1
	AT-17a	2

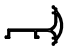


	VT-U33	2
	VT-U35	4

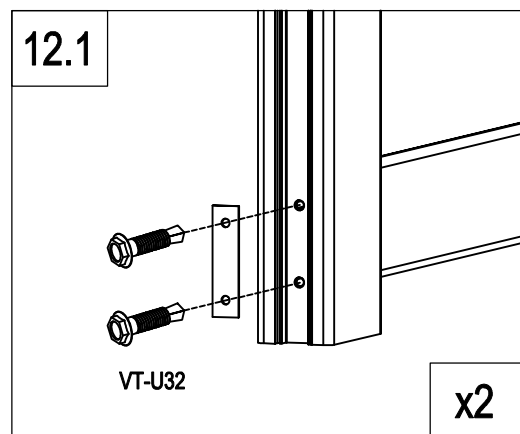
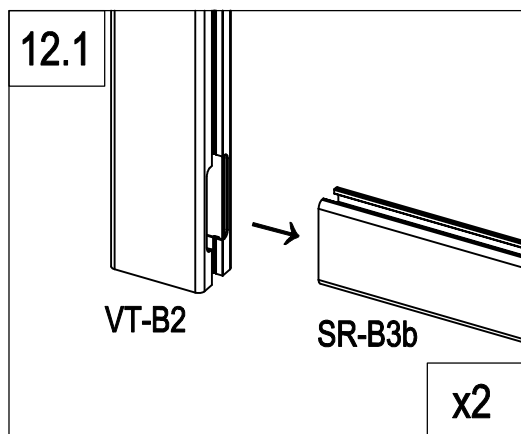
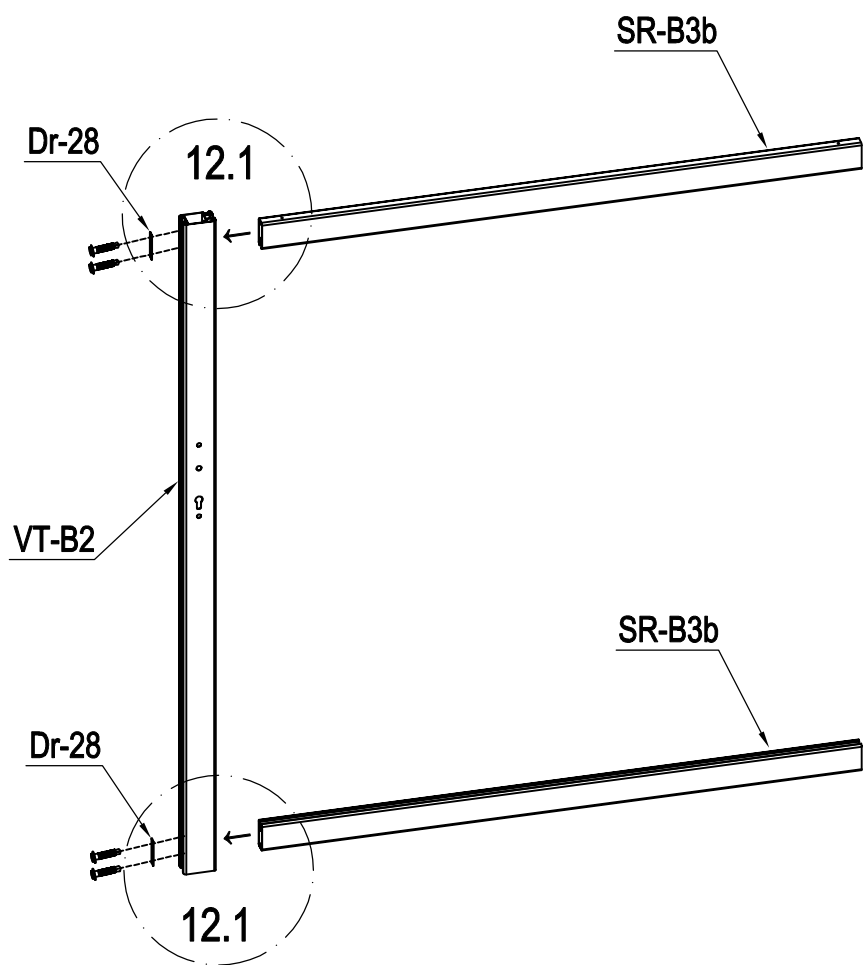



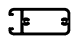


	AT-29	2
	AT-A11a	2
	AT-31	2

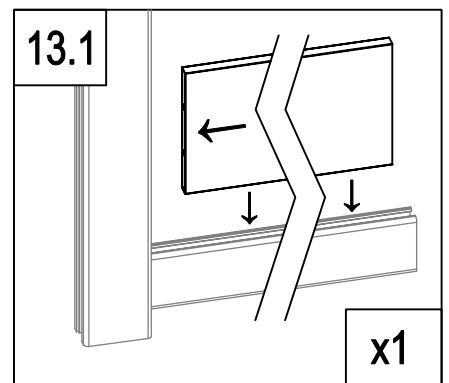
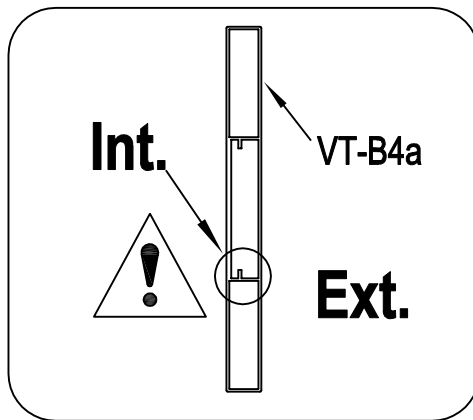
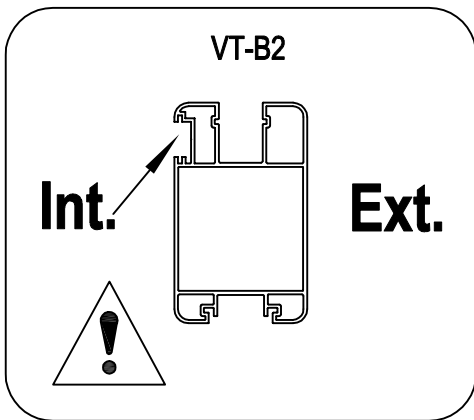
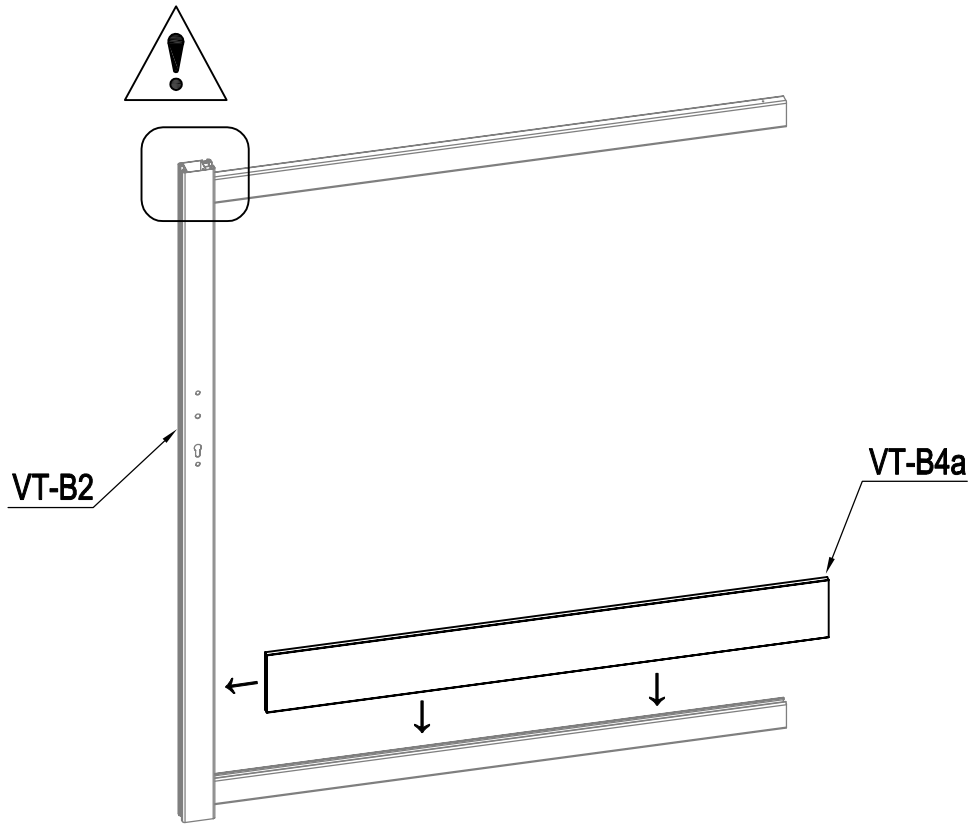
	AT-10	2
	VT-U30	2




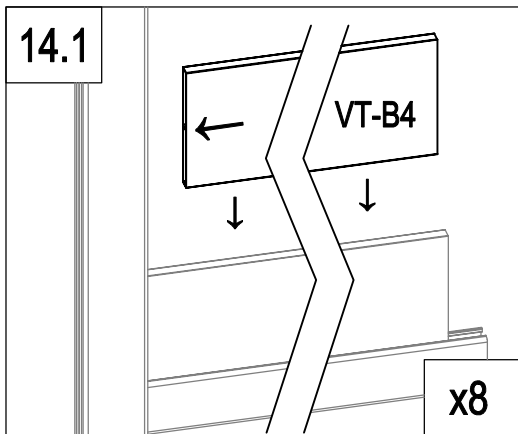
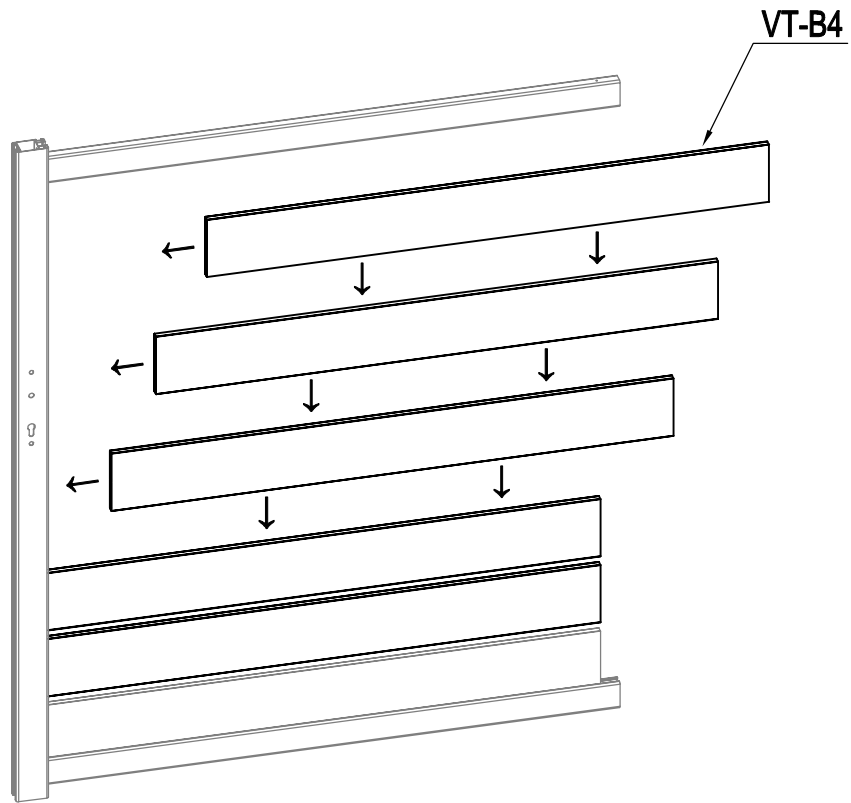
	VT-B7a	1
	Dr-13	1
	Dr-14	1




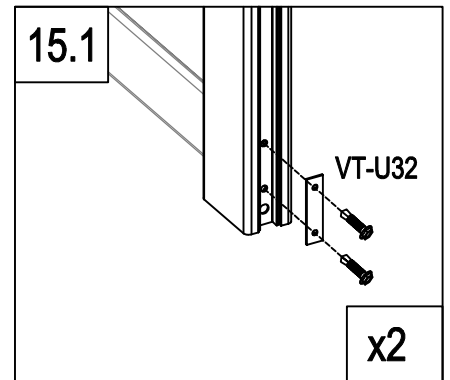
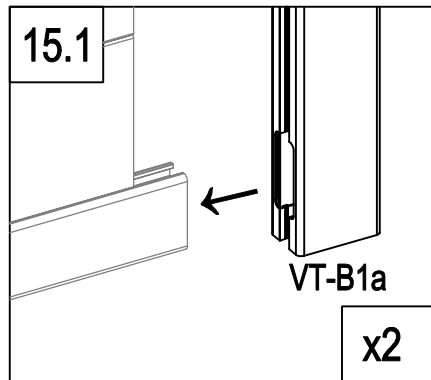
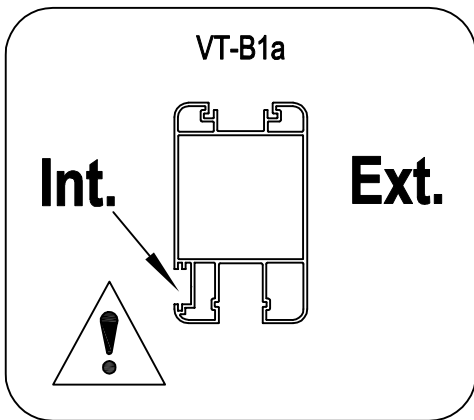
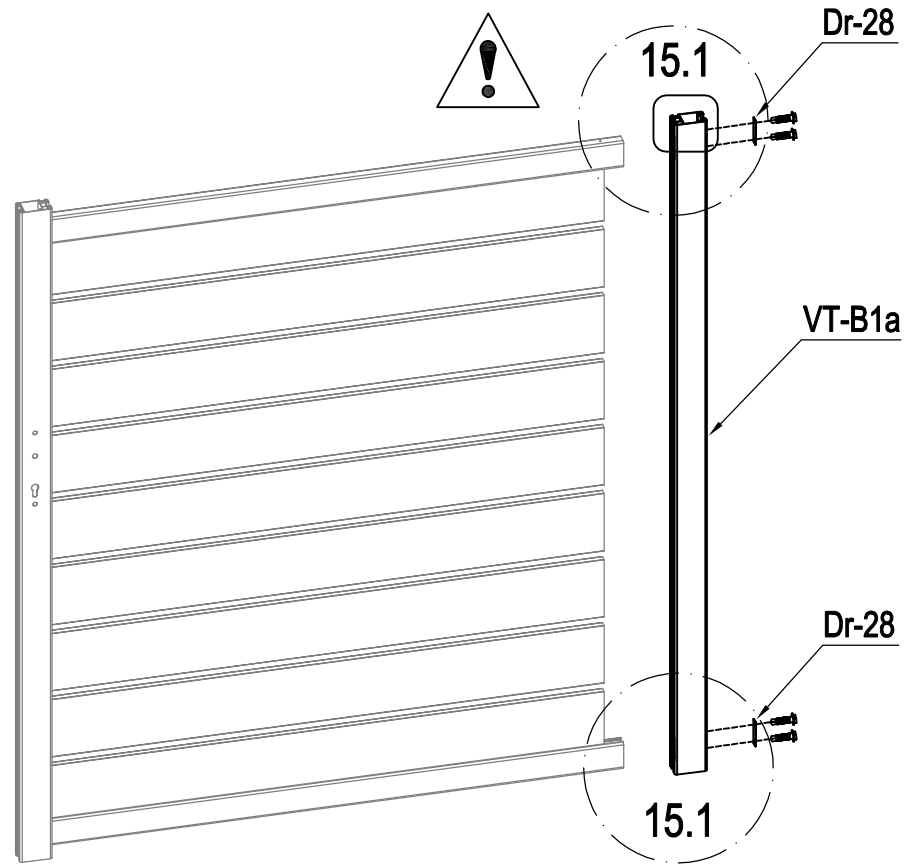
	VT-B2	1
	SR-B3b	2
	Dr-28	2
	VT-U32	4

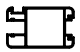




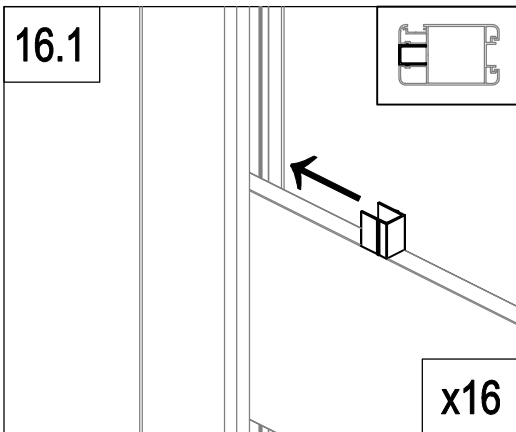
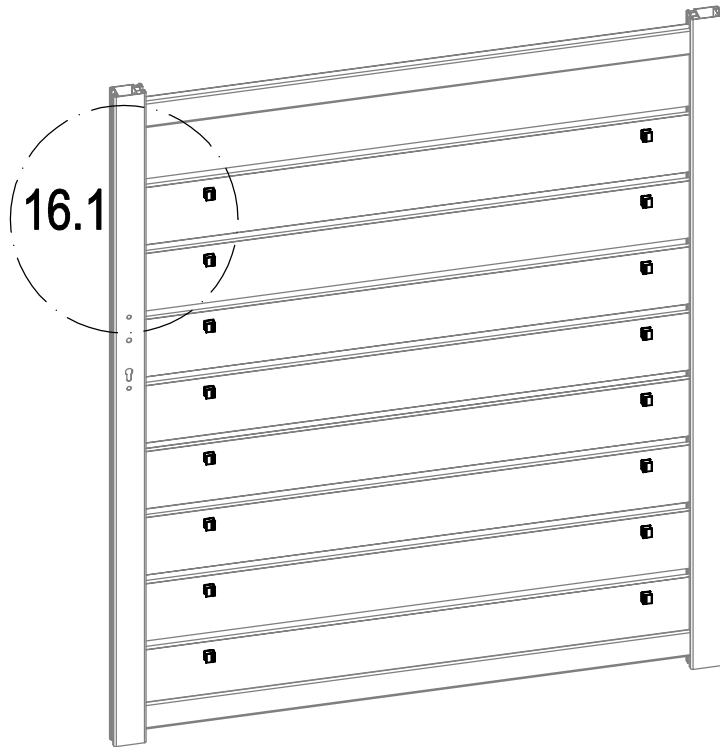
	VT-B4a	1
---	--------	---




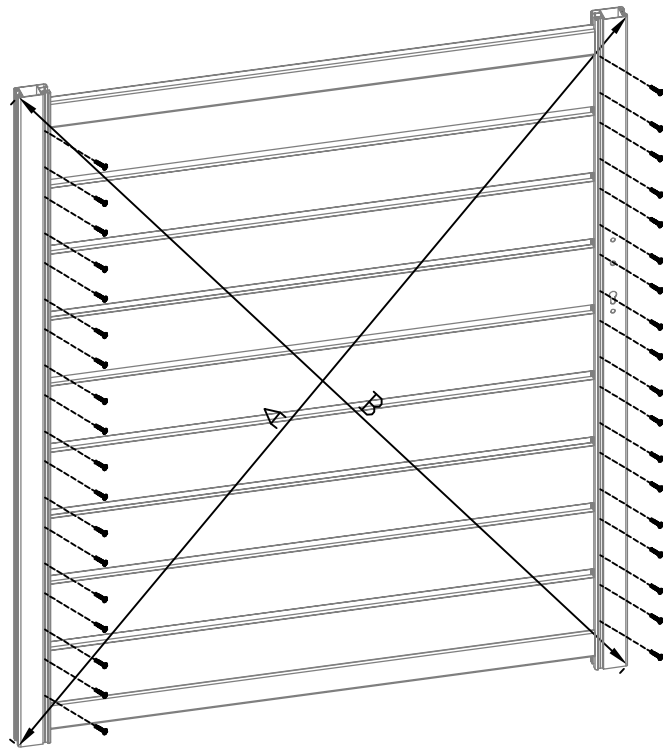
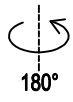
	VT-B4	8
---	-------	---



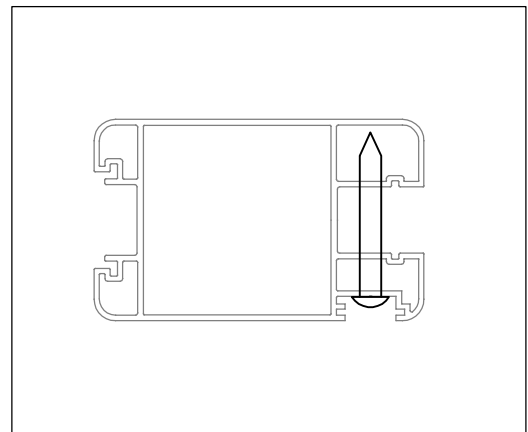
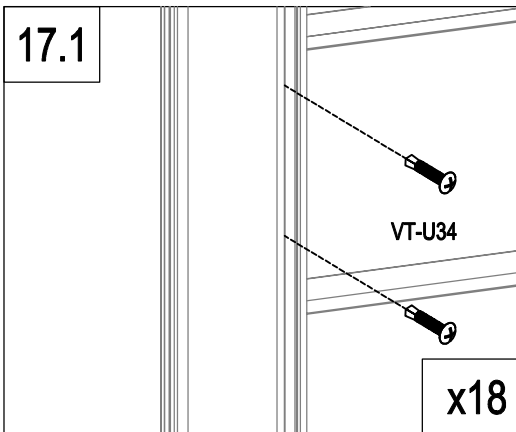
	VT-B1a	1
	Dr-28	2
	VT-U32	4




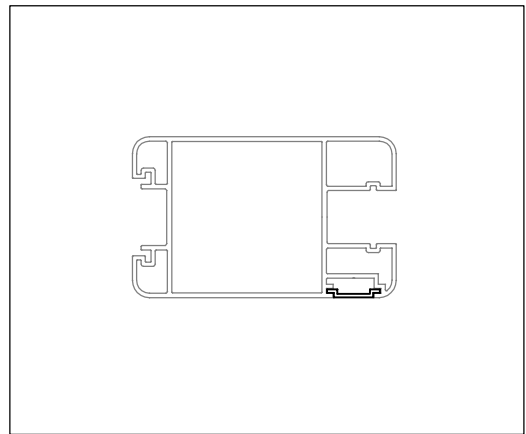
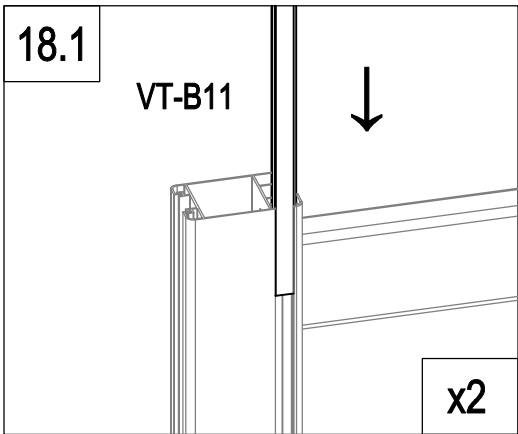
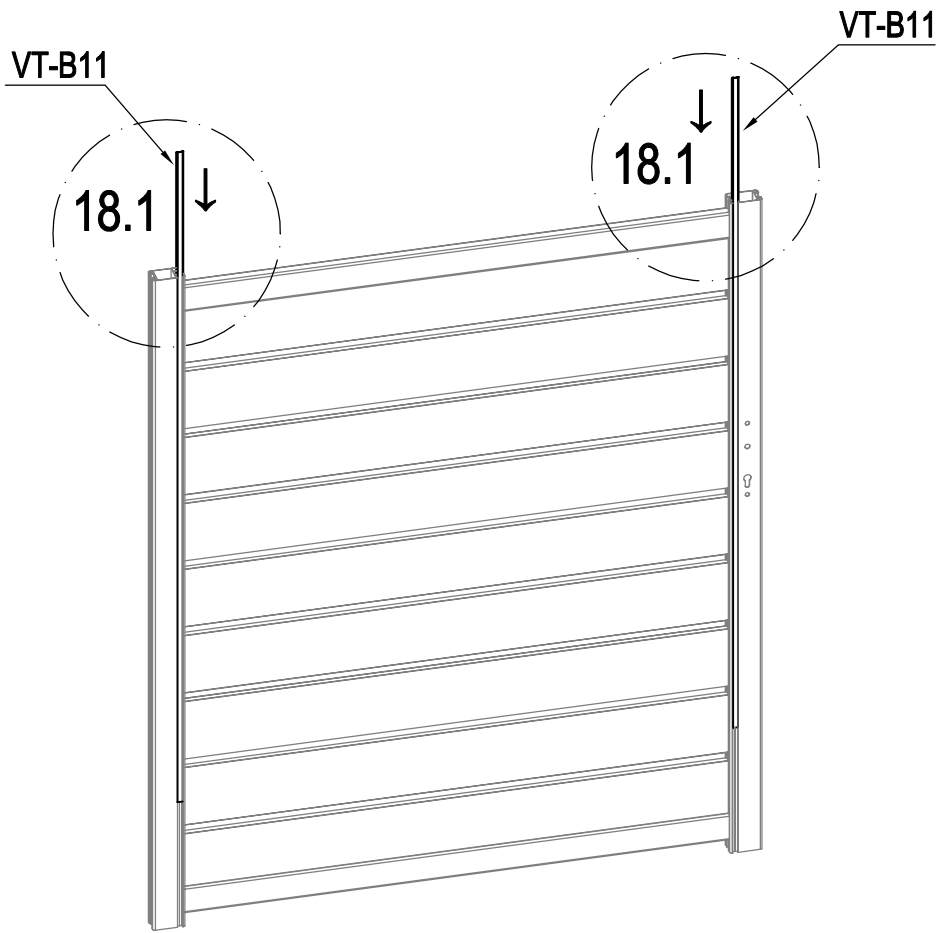
	VT-A6	16
---	-------	----




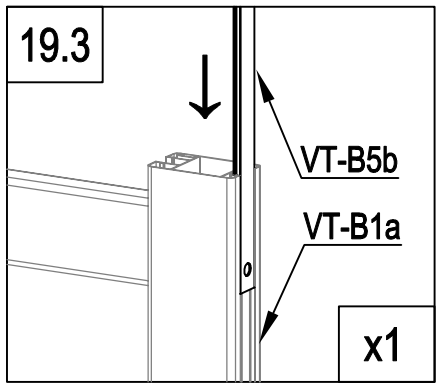
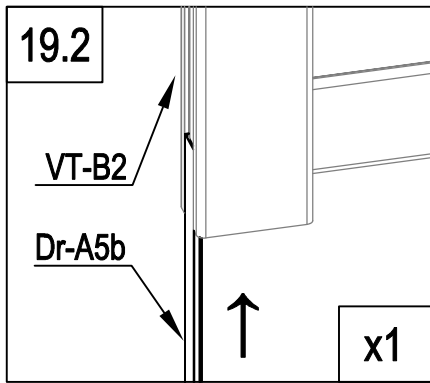
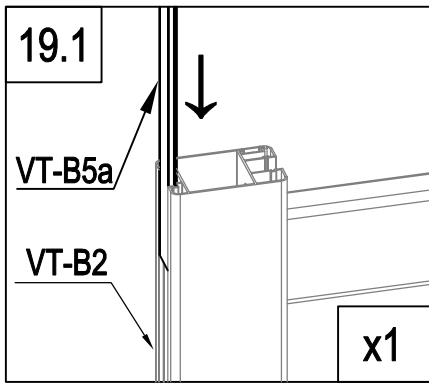
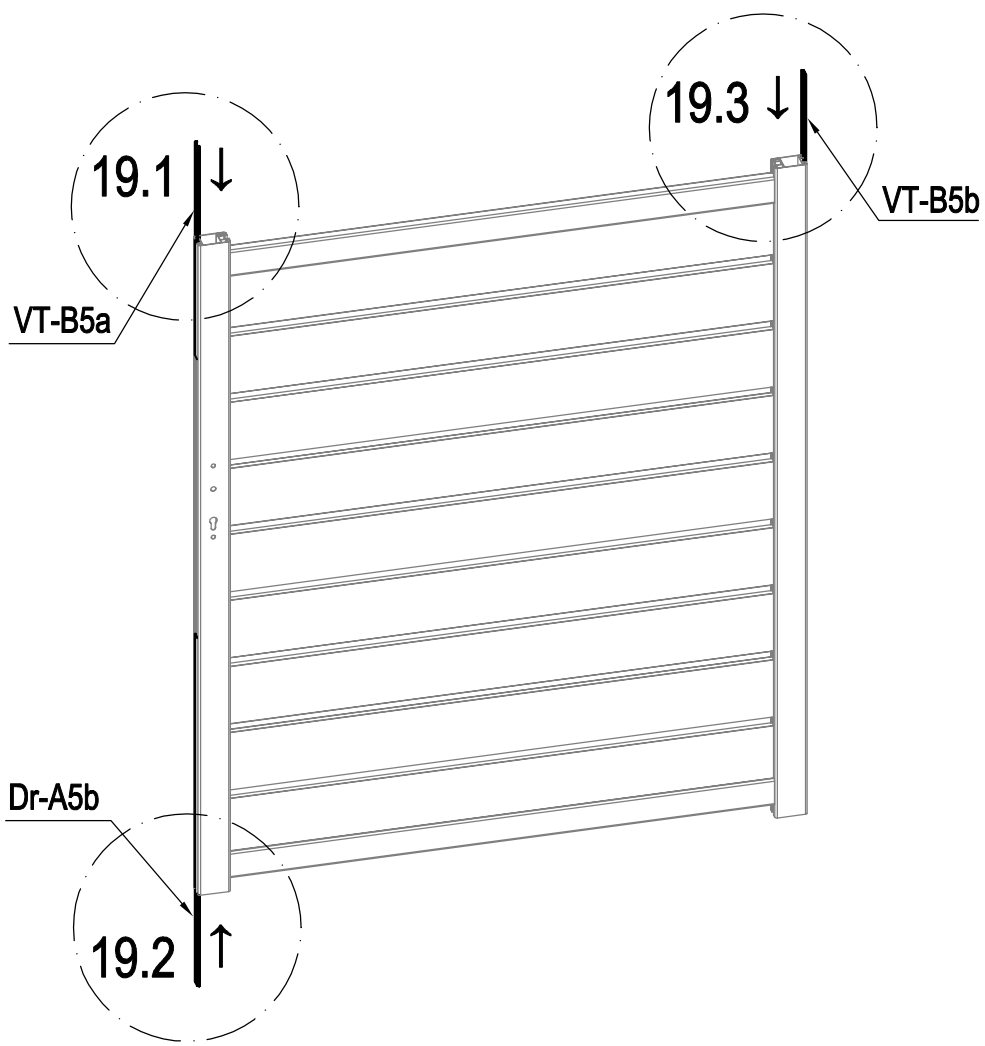
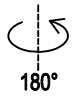
A=B



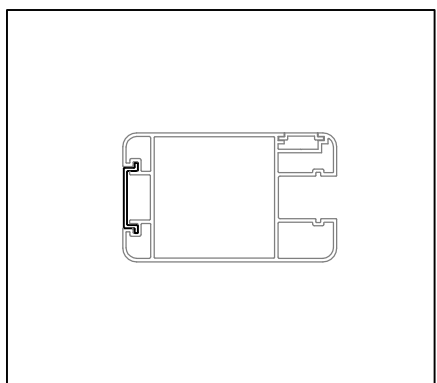
	VT-U34	36
---	--------	----

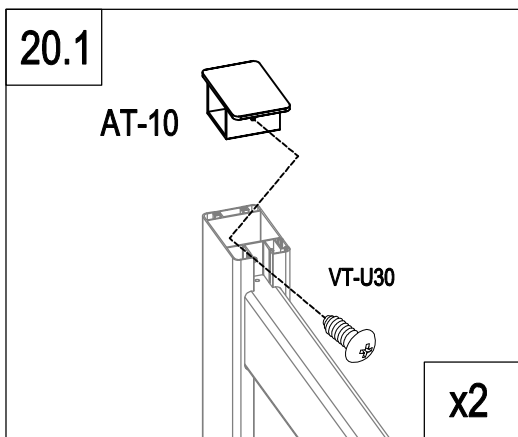
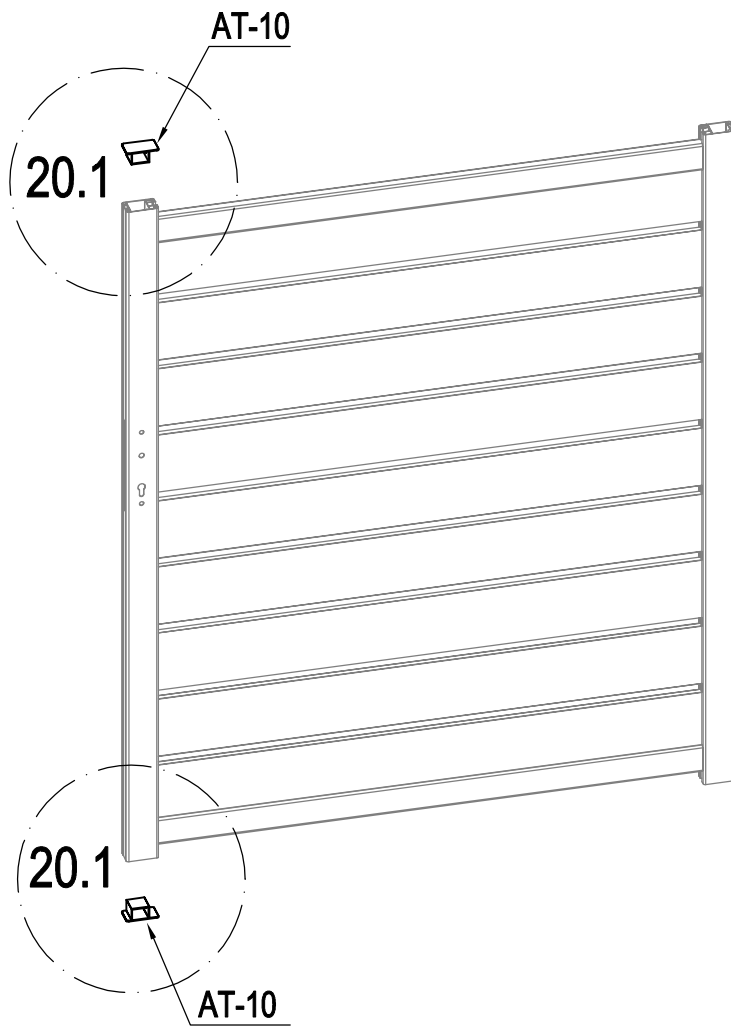




	VT-B11	2
---	--------	---

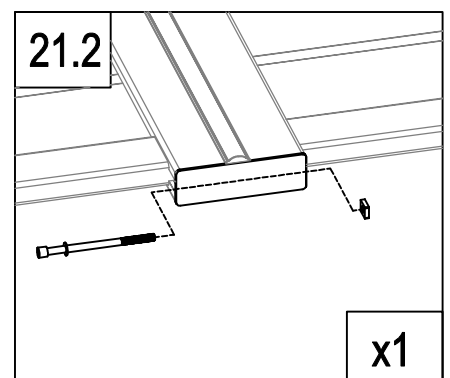
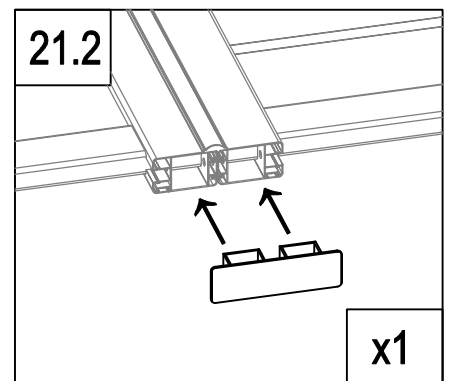
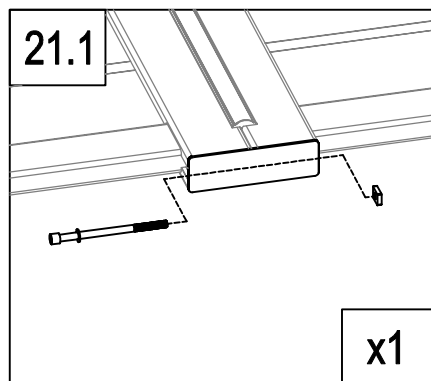
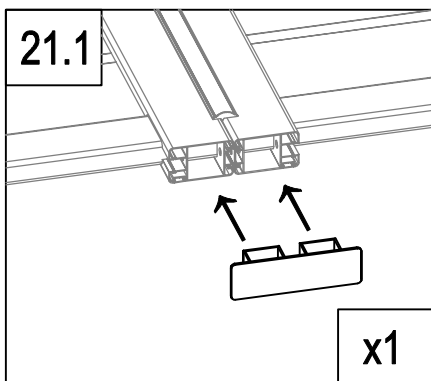
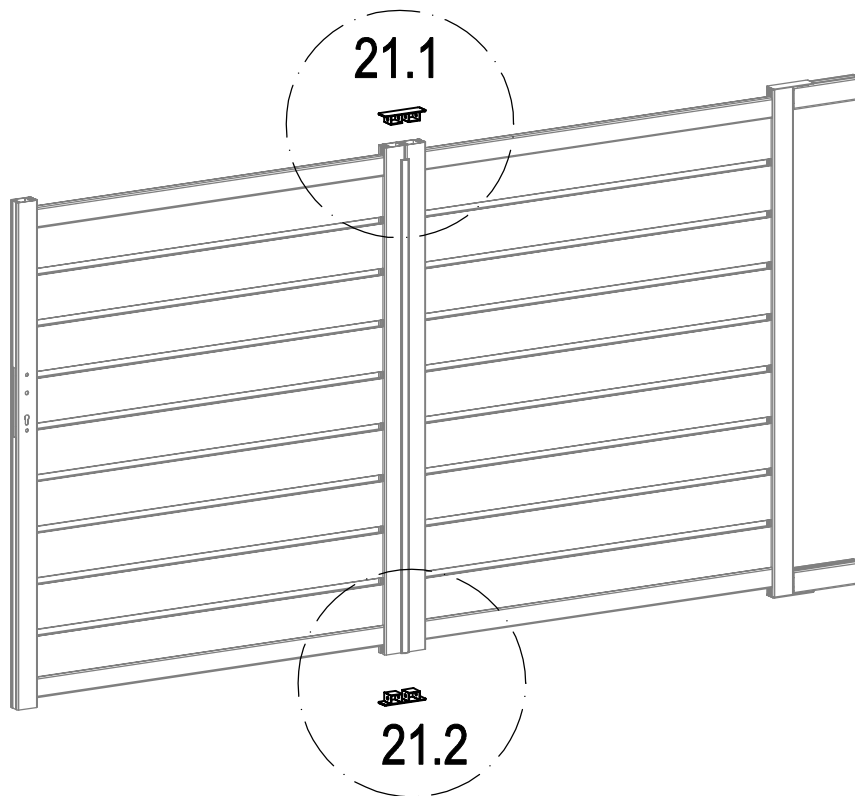




	VT-B5b	1
	VT-B5a	1
	Dr-A5b	1

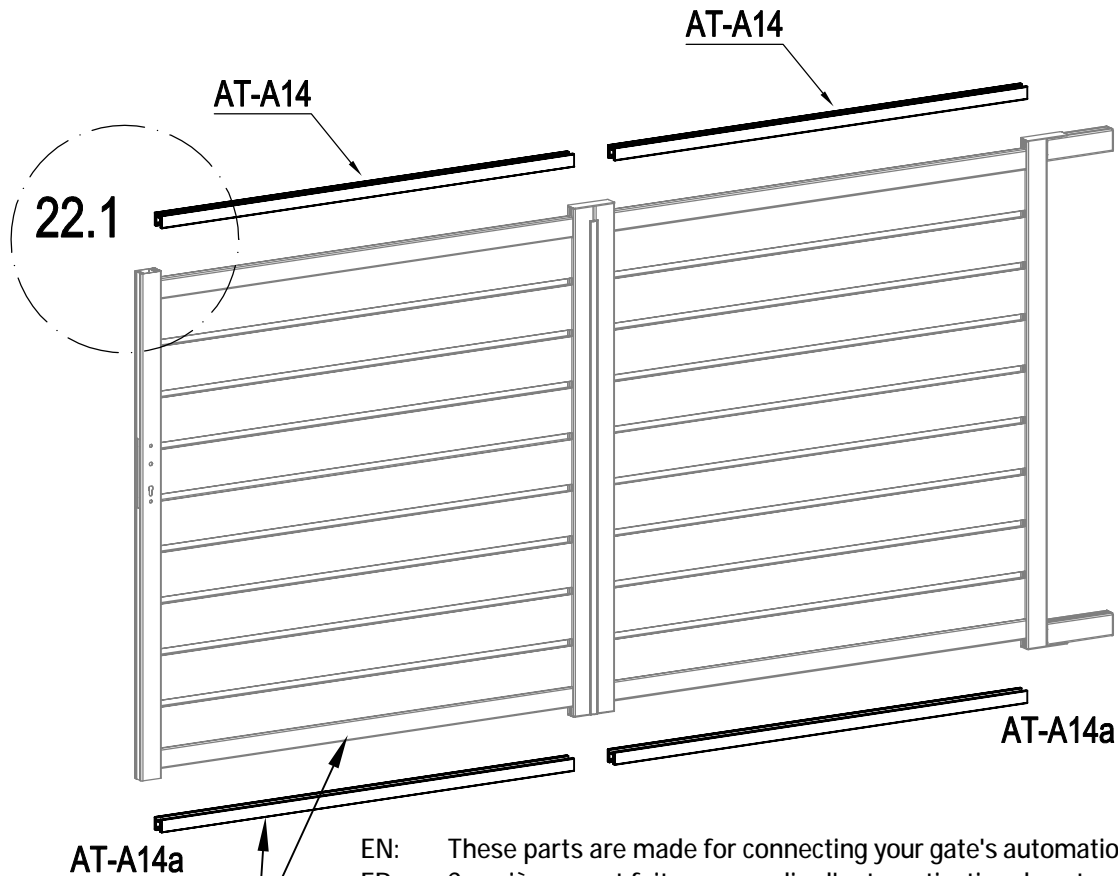




	AT-10	2
	VT-U30	2



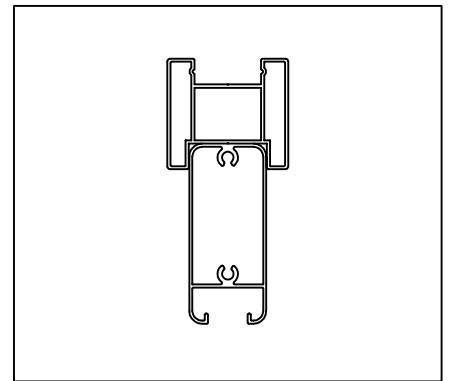
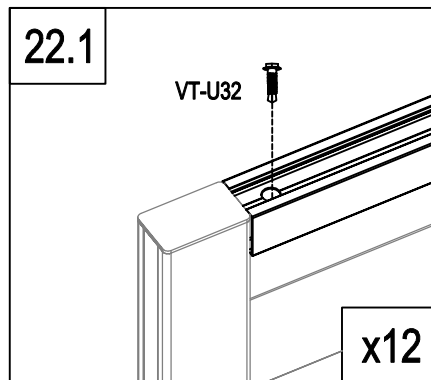
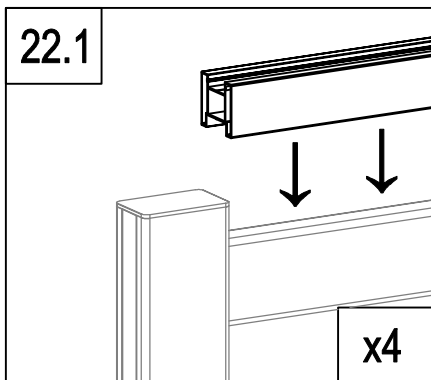
	AT-17	2
	VT-U33	2





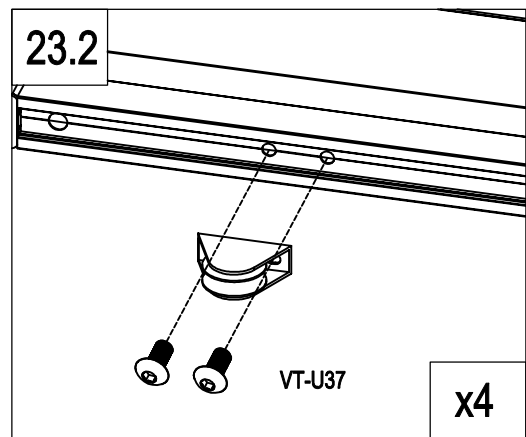
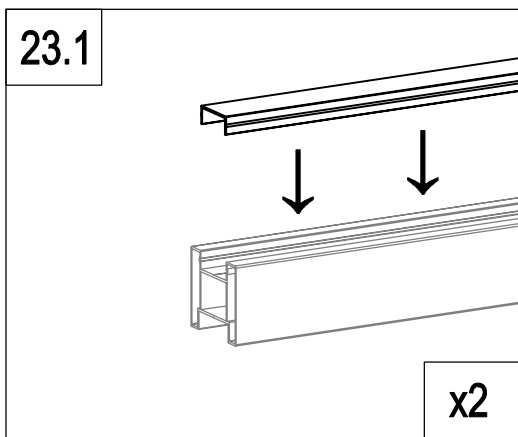
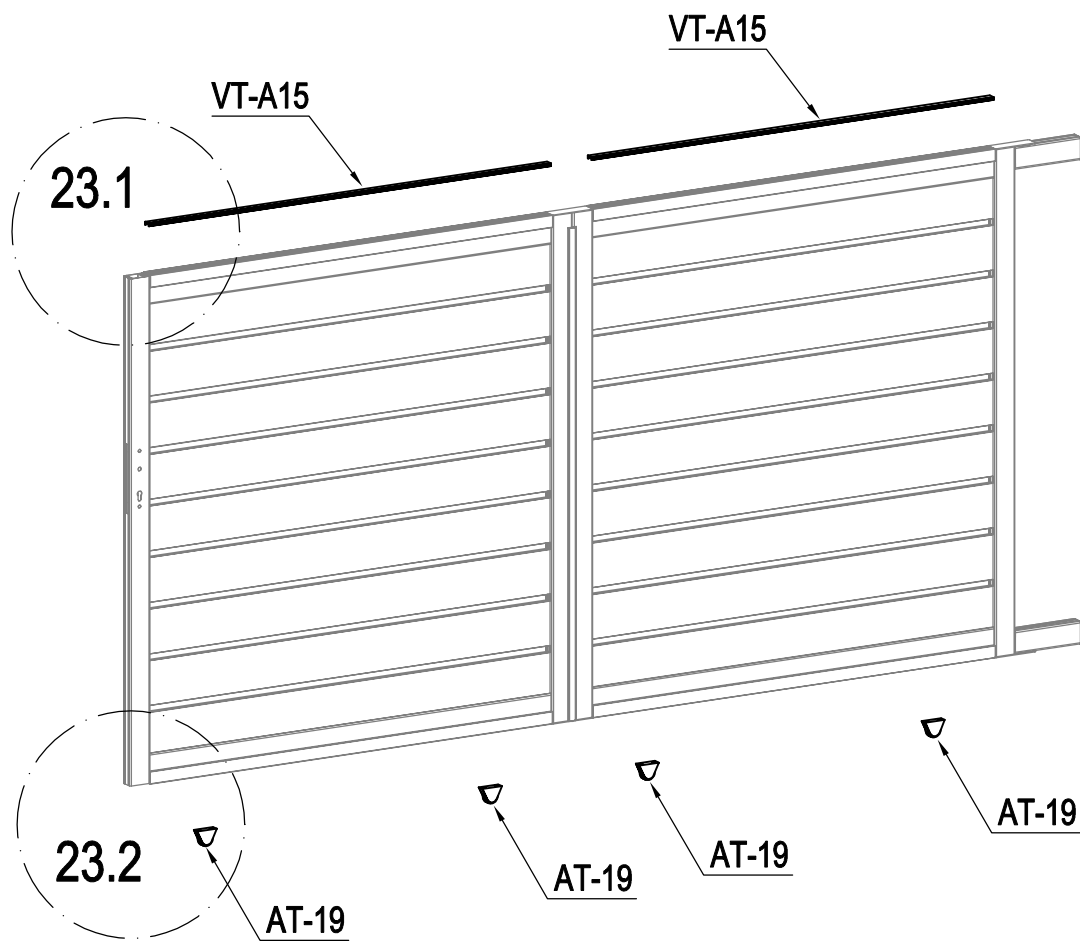
AT-A14a






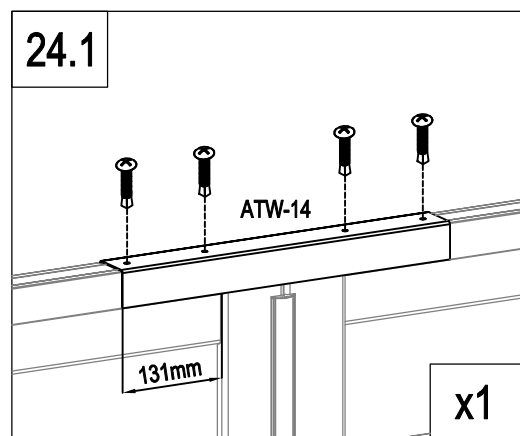
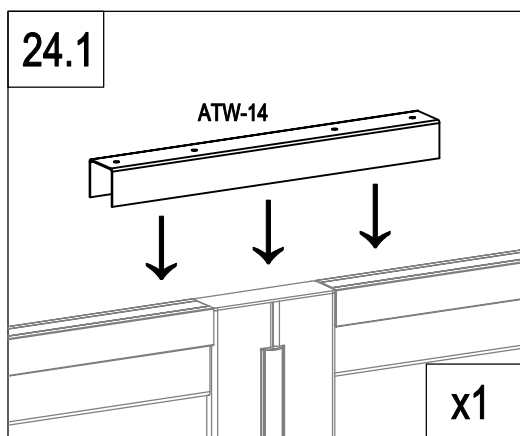
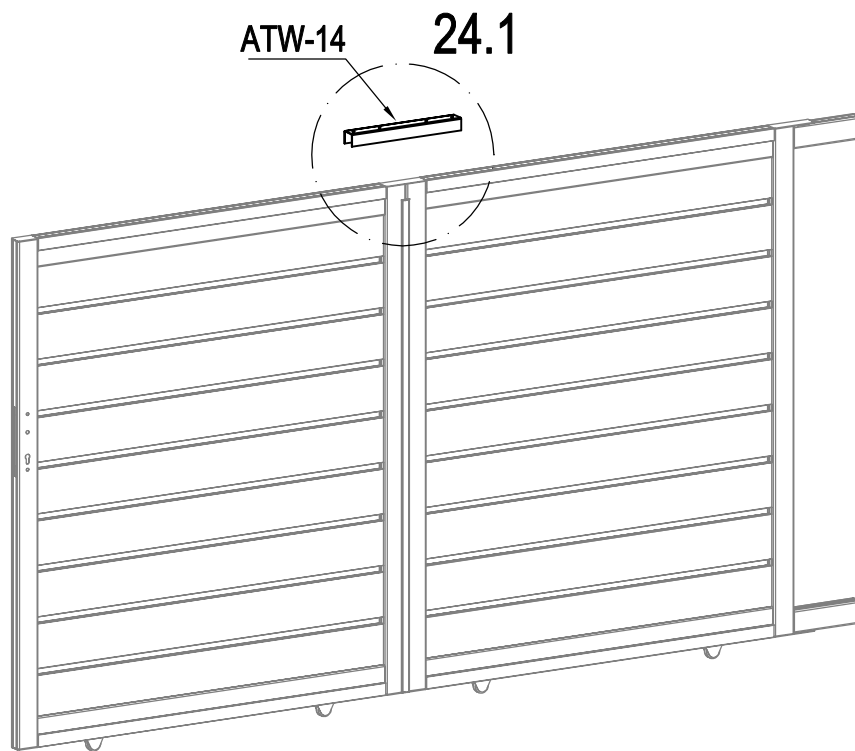
EN: These parts are made for connecting your gate's automation
 FR: Ces pièces sont faites pour relier l'automatisation de votre portail
 DE: Diese Teile sind für den Anschluss der Automatisierung Ihres Tores vorgesehen
 ES: Estas piezas están hechas para conectar la automatización de su puerta
 PT: Estas peças são feitas para ligar a automatização do seu portão
 IT: Queste parti sono realizzate per collegare l'automazione del vostro cancello
 NL: Deze onderdelen zijn gemaakt voor het aansluiten van de automatisering van uw poort.
 PL: Te części są wykonane do podłączenia automatyki bramy.





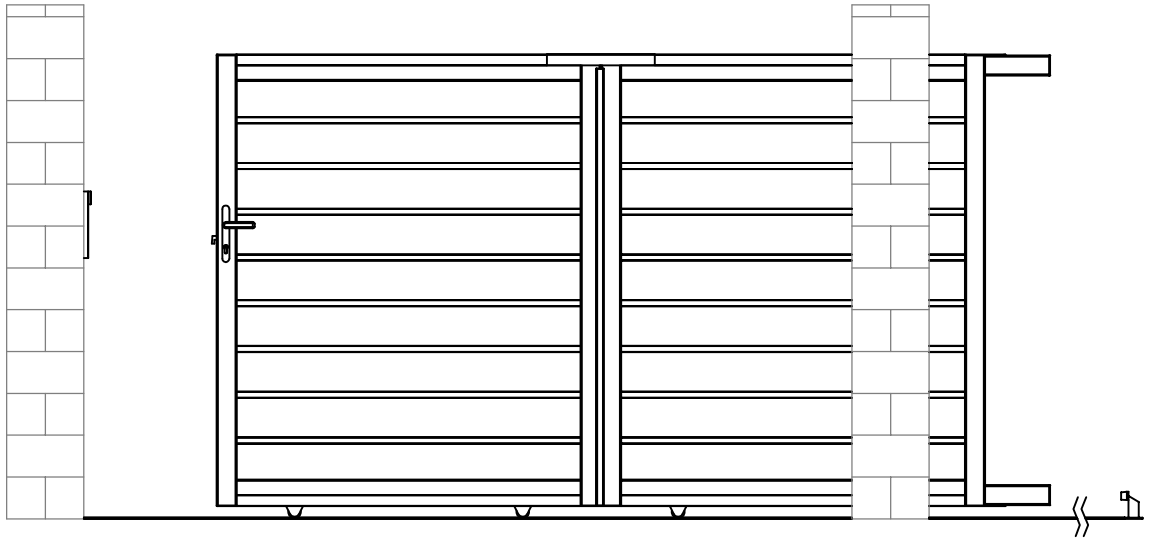
	AT-A14	2
	AT-A14a	2
	VT-U32	12



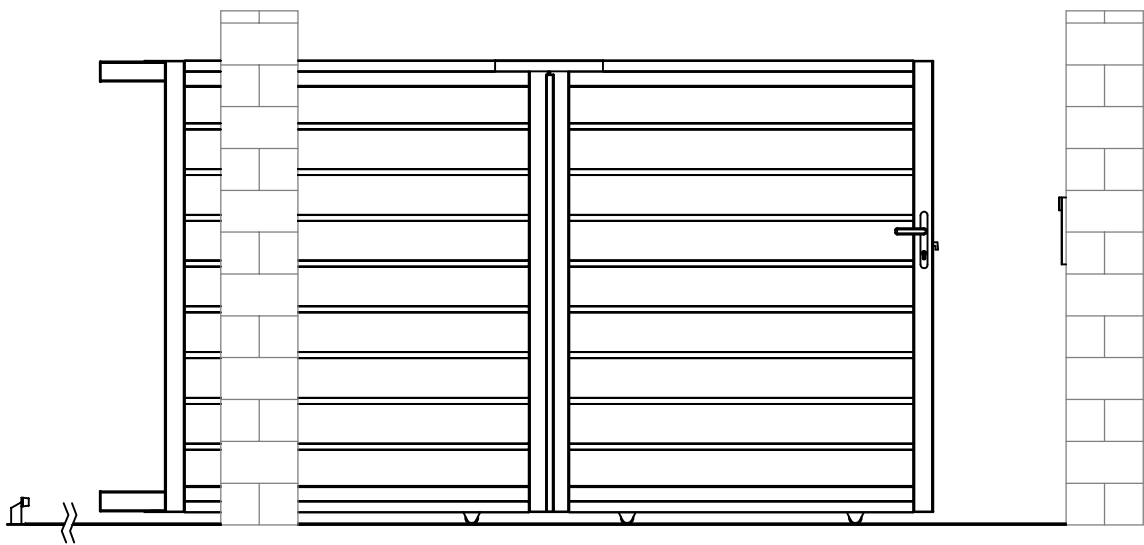
	VT-A15	2
	AT-19	4
	VT-U37	8



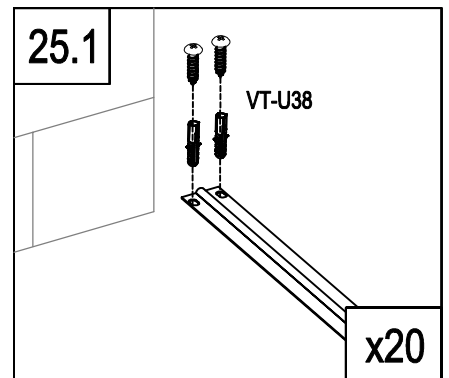
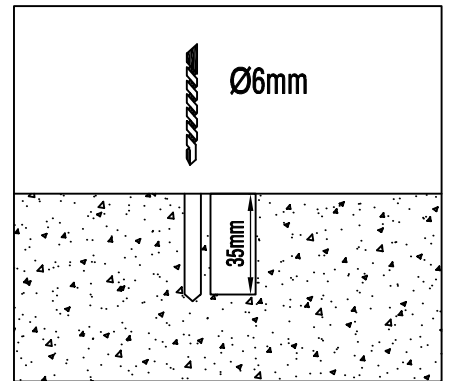
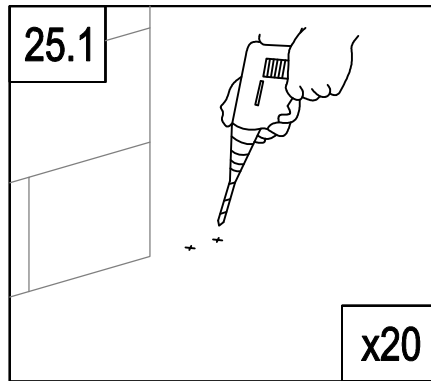
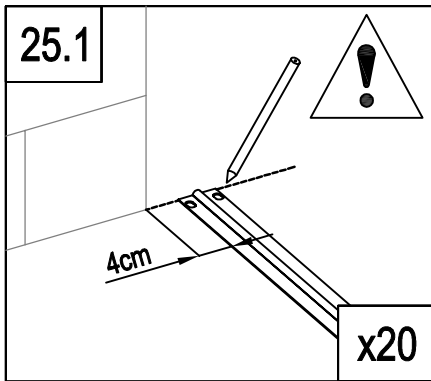
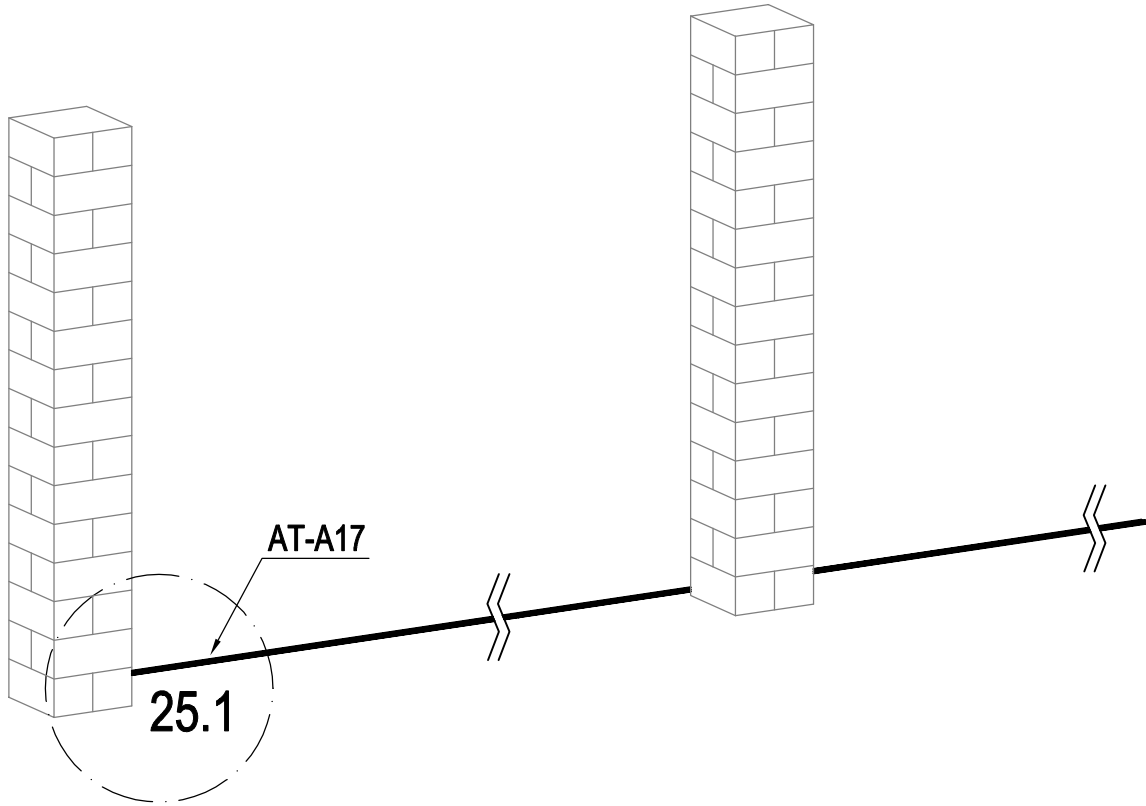
	ATW-14	1
	VT-U34	4





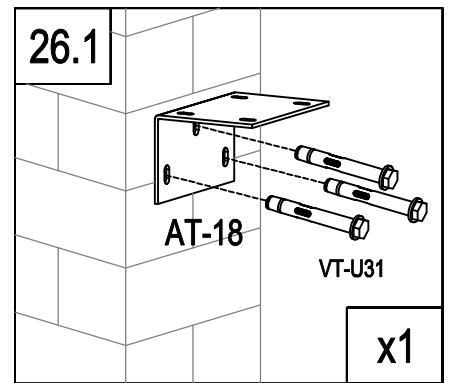
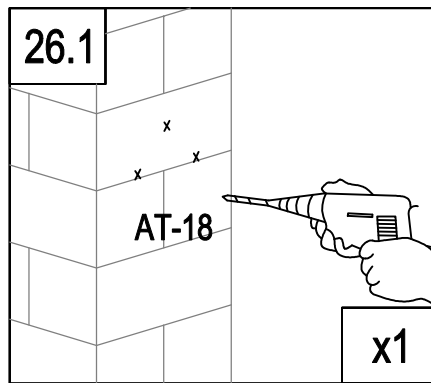
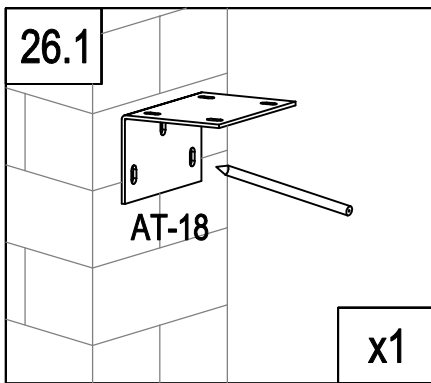
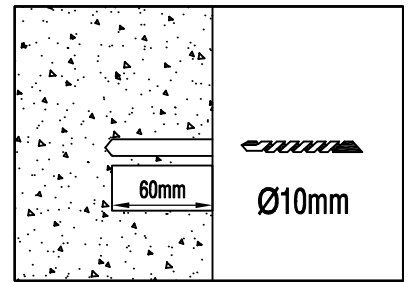
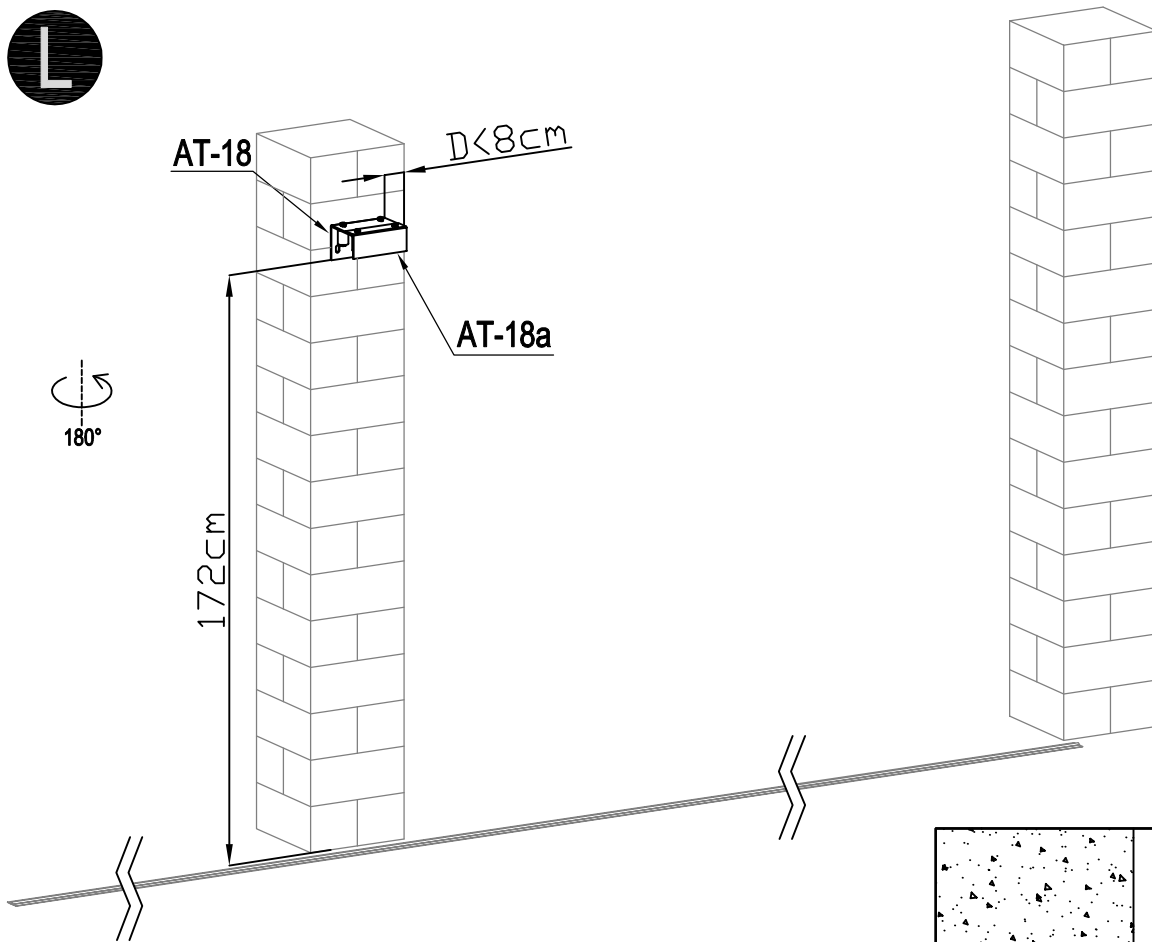
L : P25~30



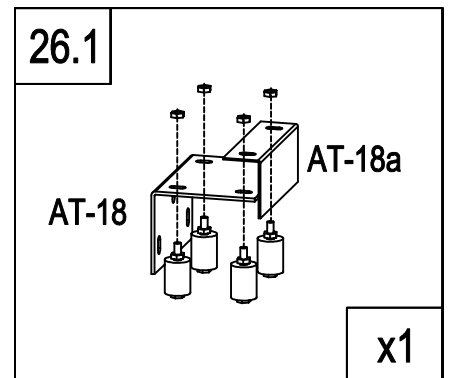
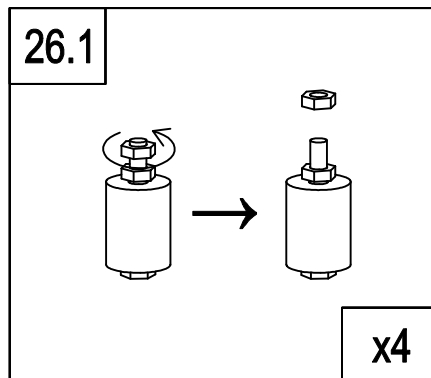
R : P31~36



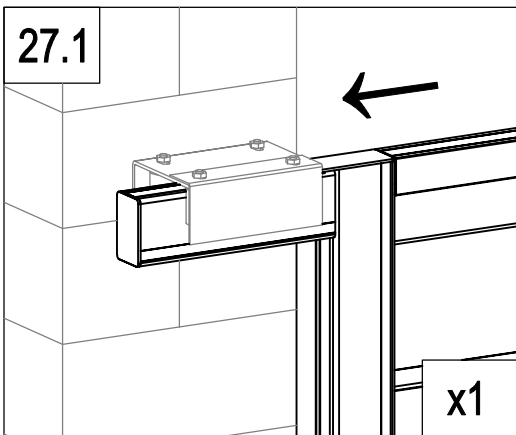
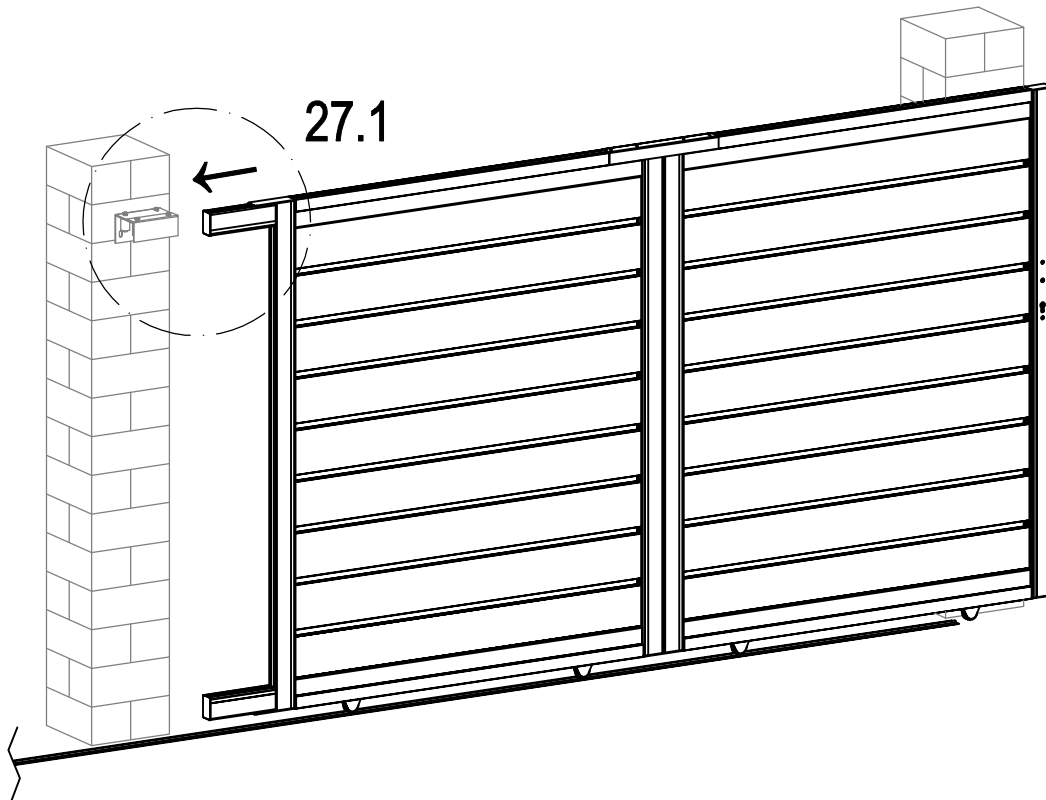
	AT-A17	5
	VT-U38	40



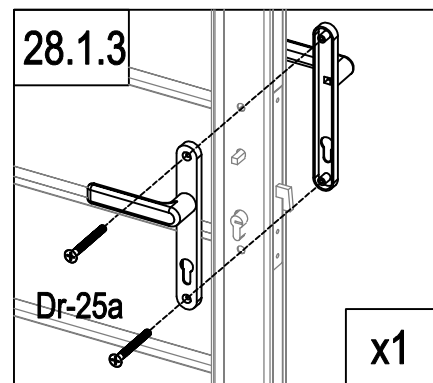
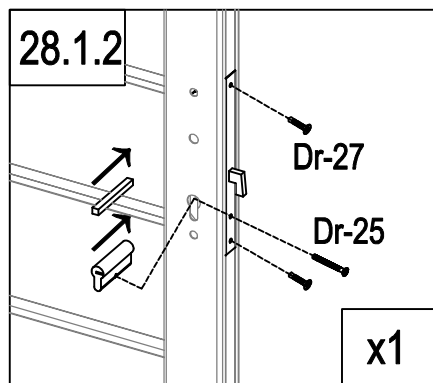
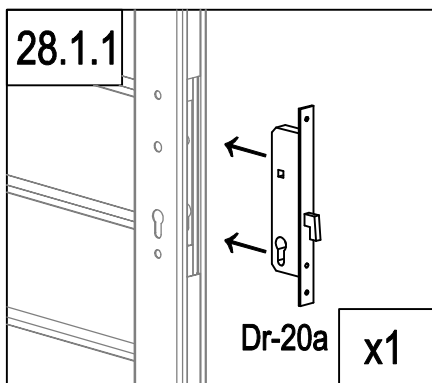
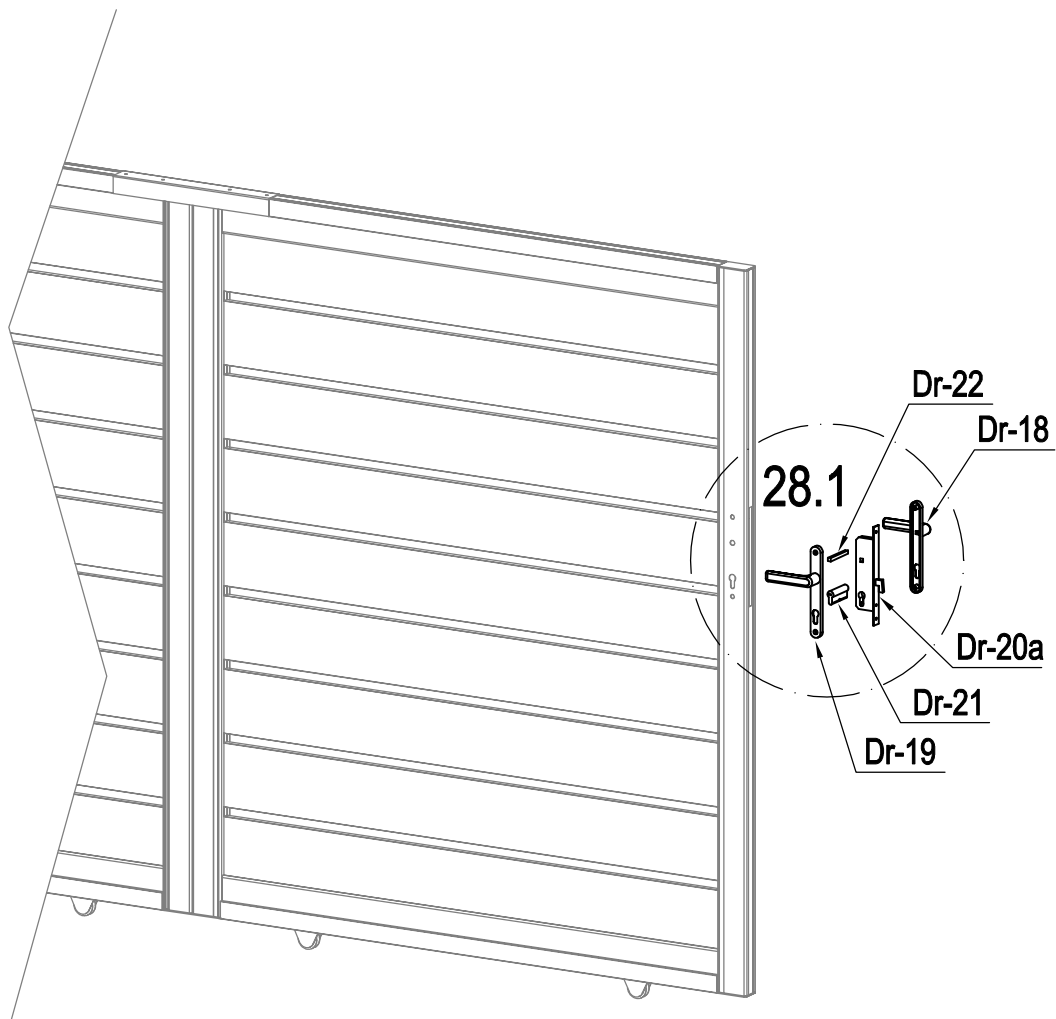
	AT-18	1
	AT-18a	1
	AT-20	4
	VT-U31	3



L

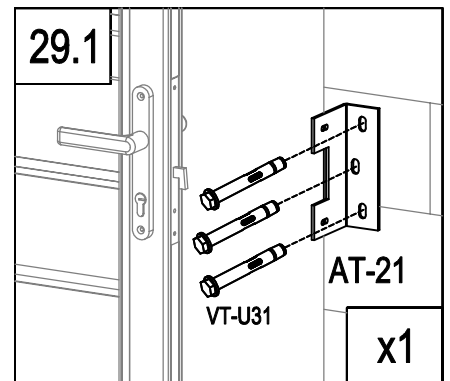
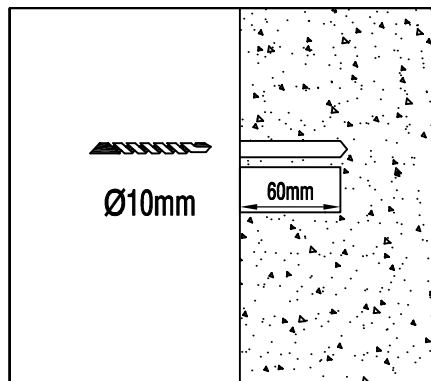
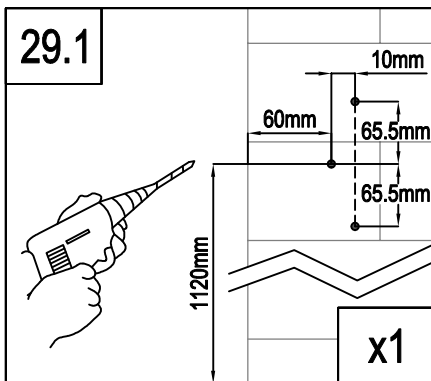
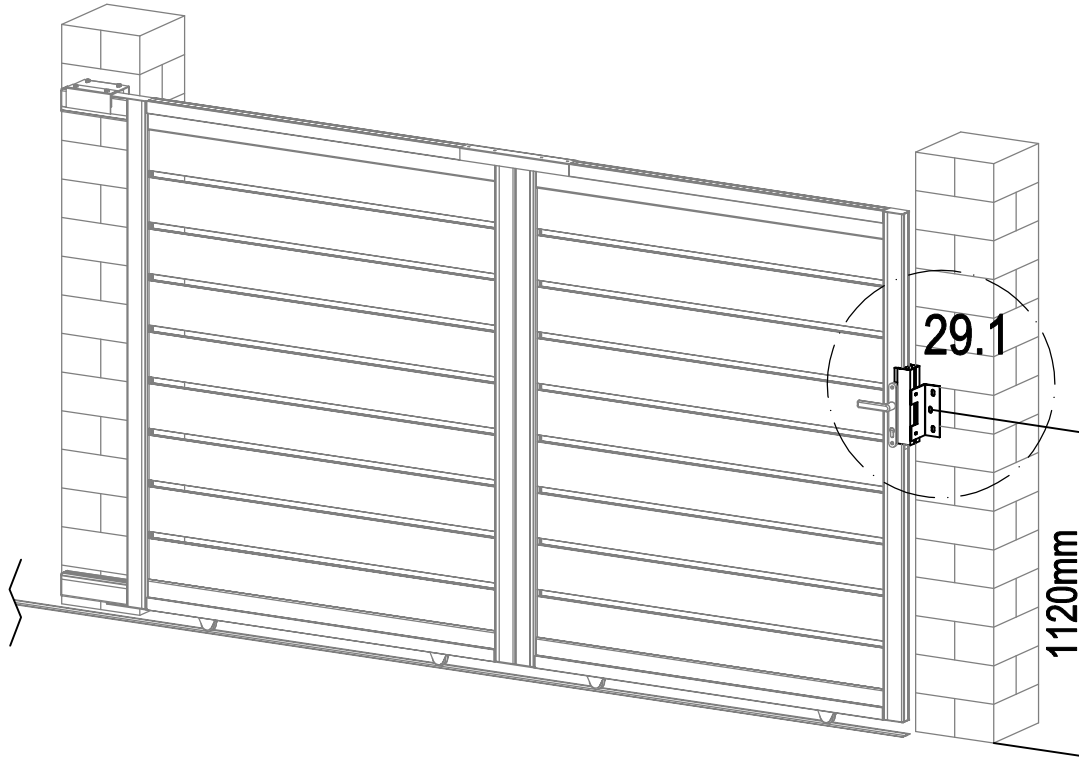


L

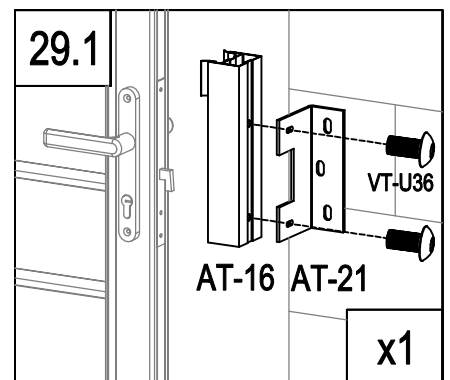
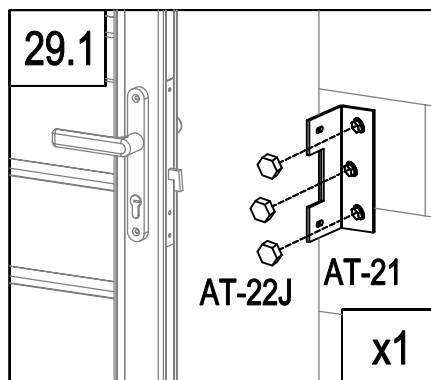


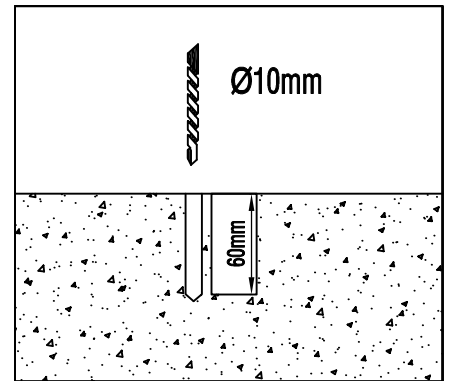
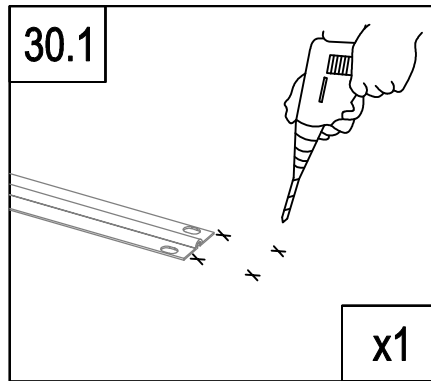
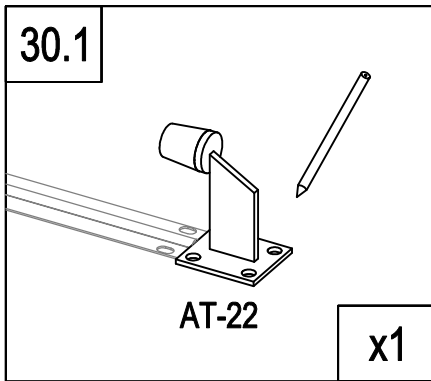
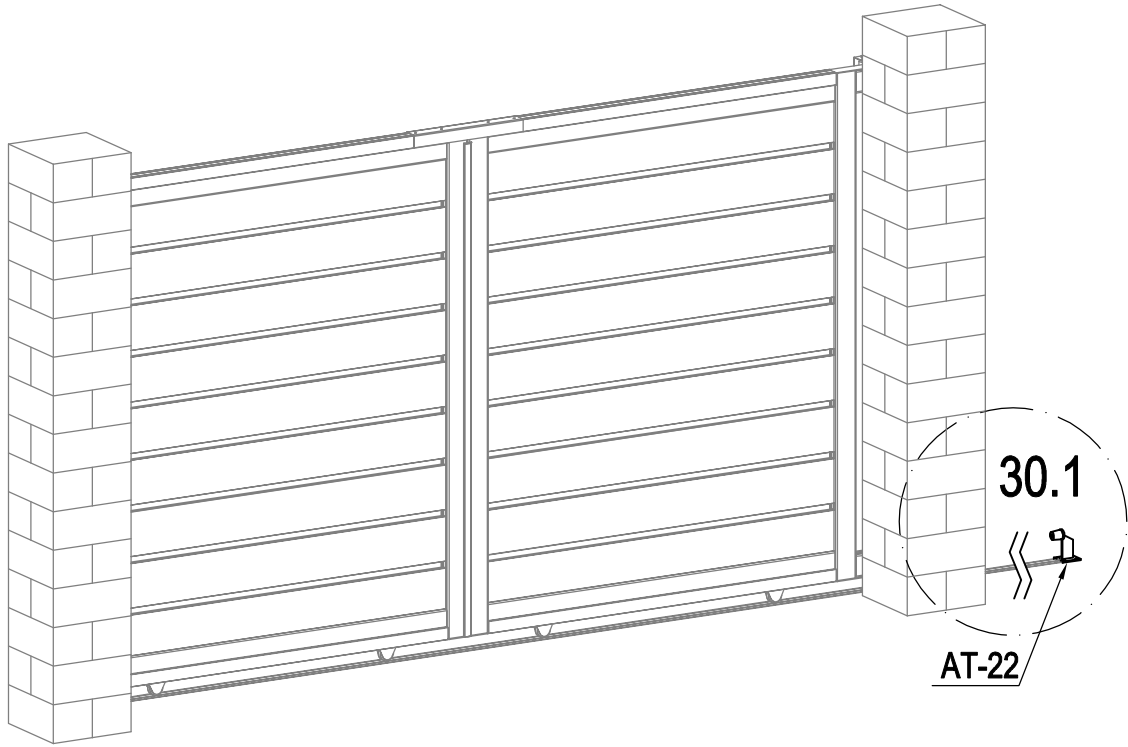
	Dr-20a	1
	Dr-21	1
	Dr-22	1
	Dr-25	1

	Dr-18	1
	Dr-19	1
	Dr-25a	2
	Dr-27	2

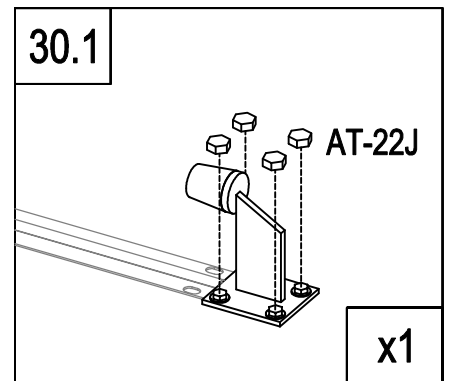
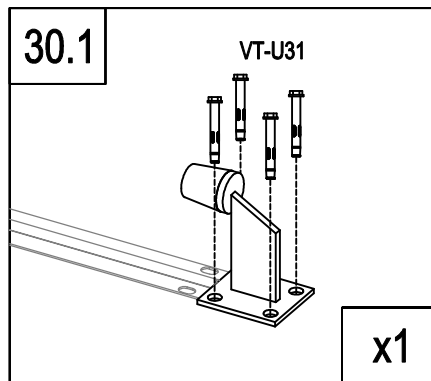


	AT-16	1
	AT-21	1
	VT-U36	2
	VT-U31	3
	AT-22J	3

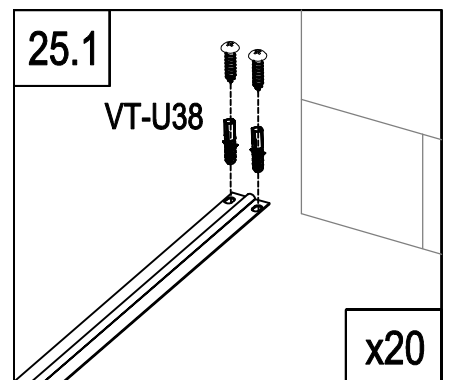
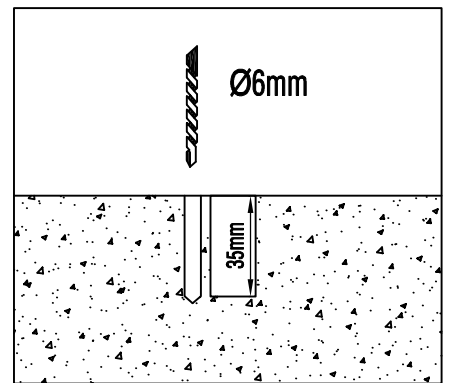
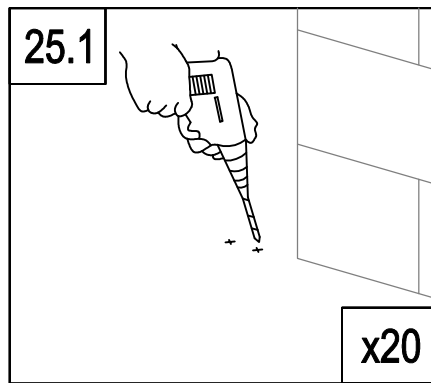
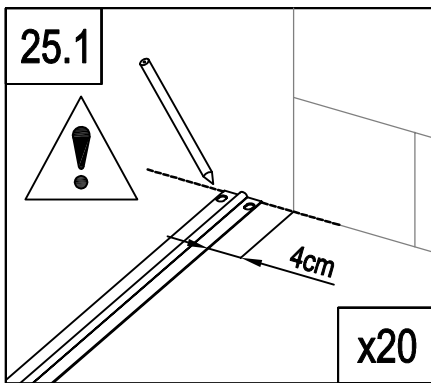
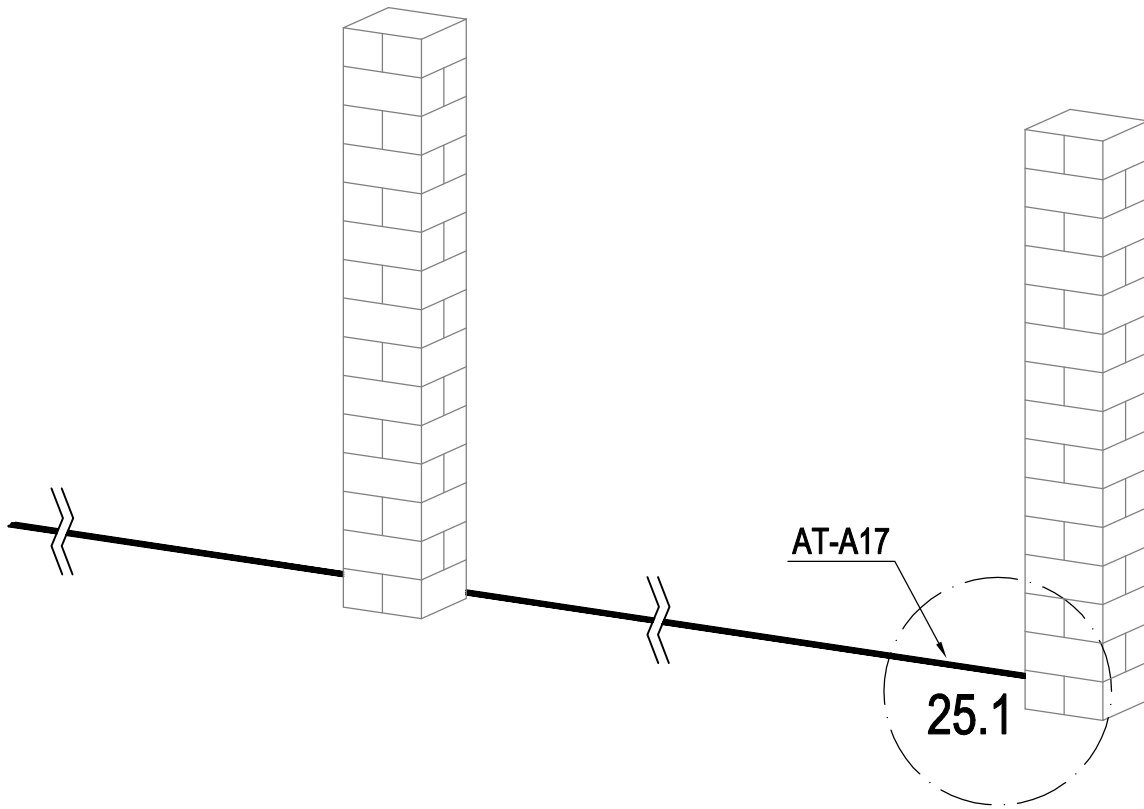






	AT-22	1
	VT-U31	4
	AT-22J	4



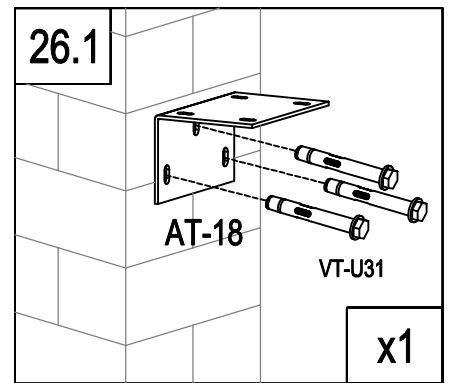
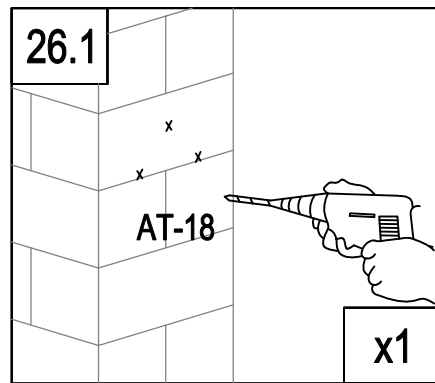
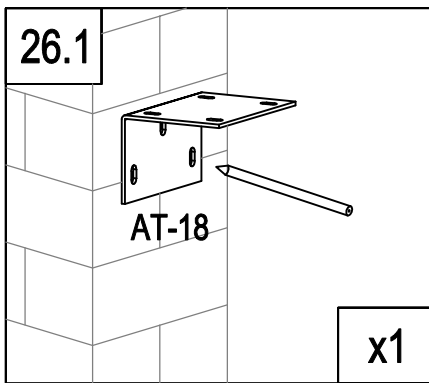
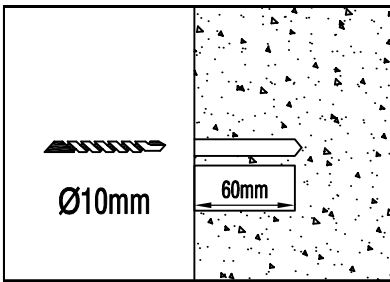
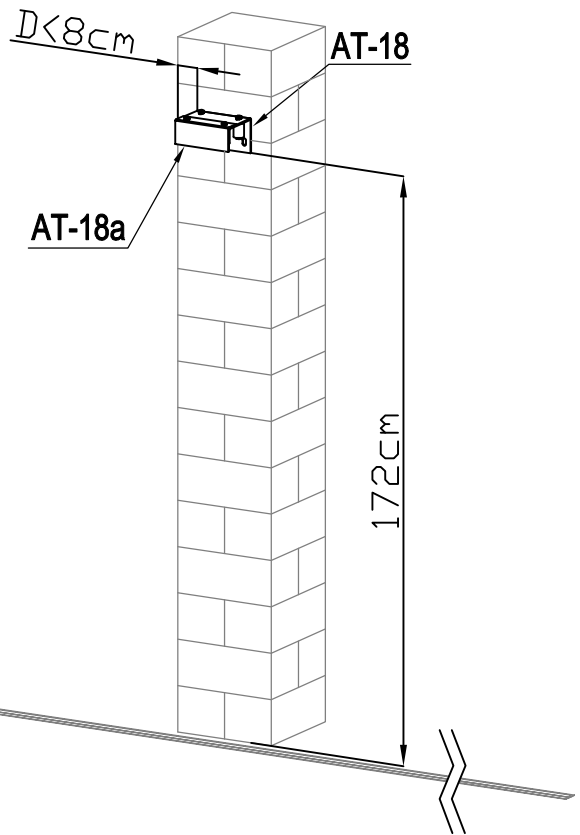
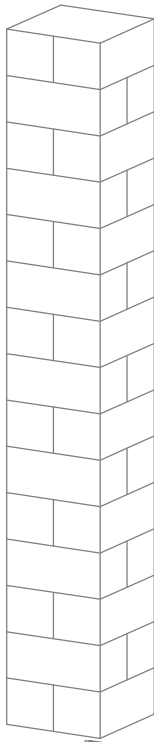
R



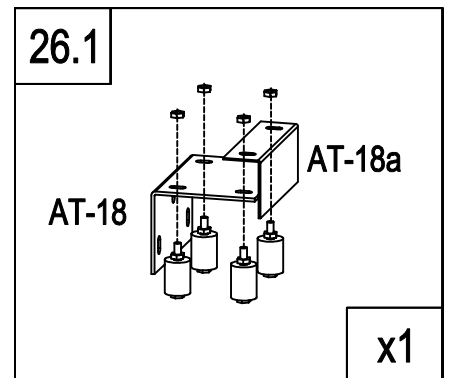
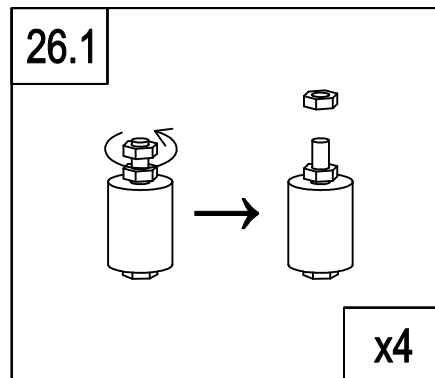
	AT-A17	5
	VT-U38	40

R

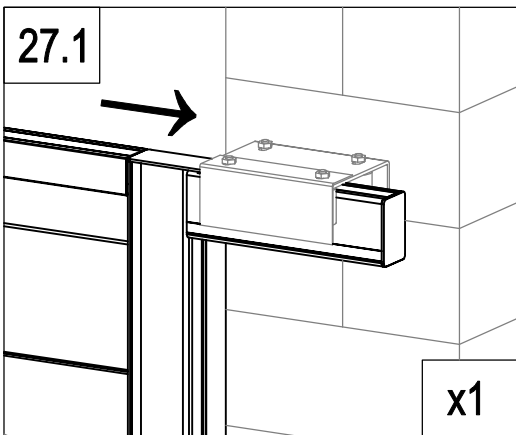
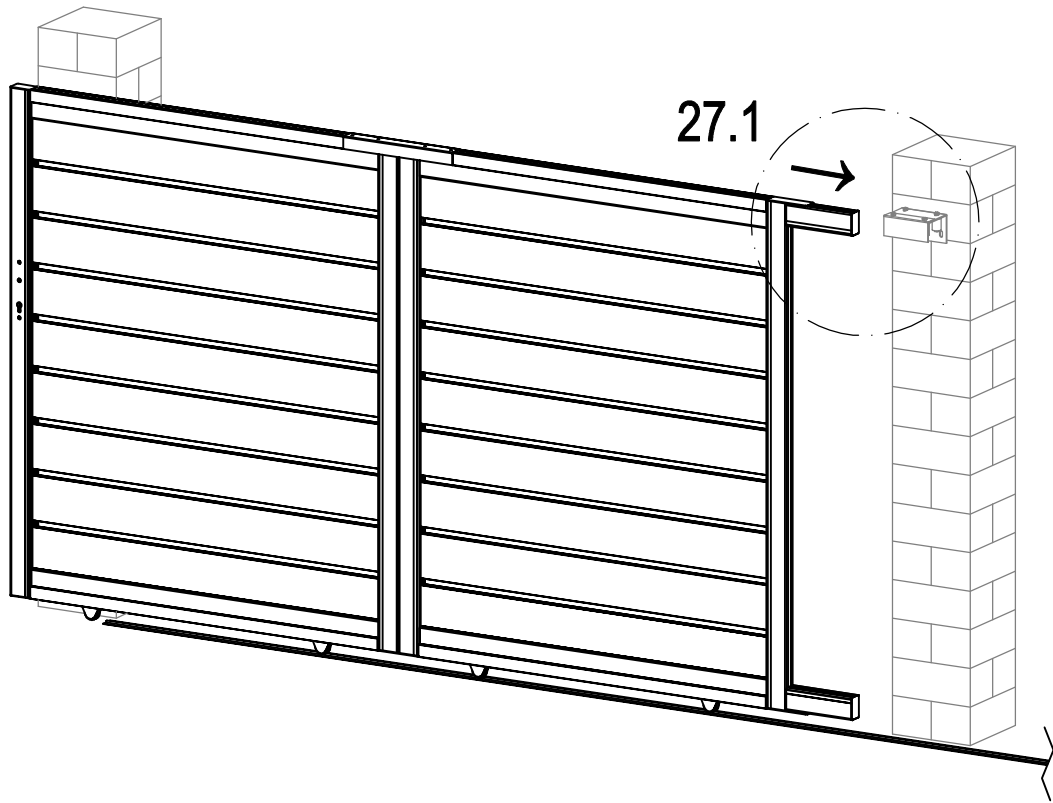
180°

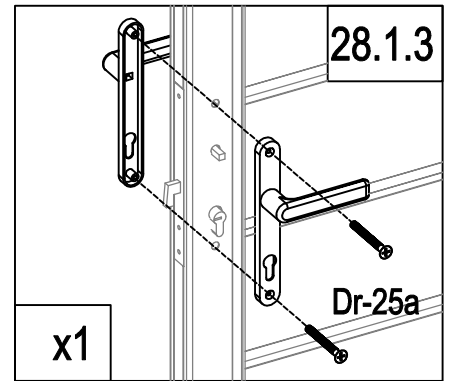
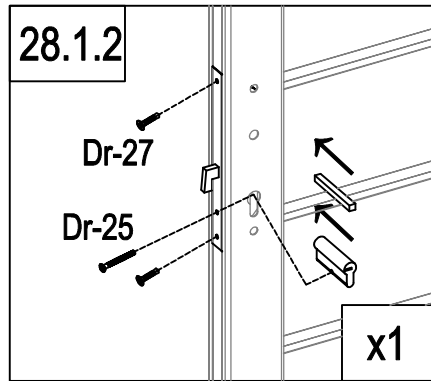
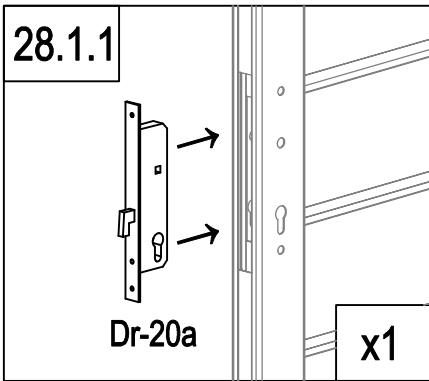
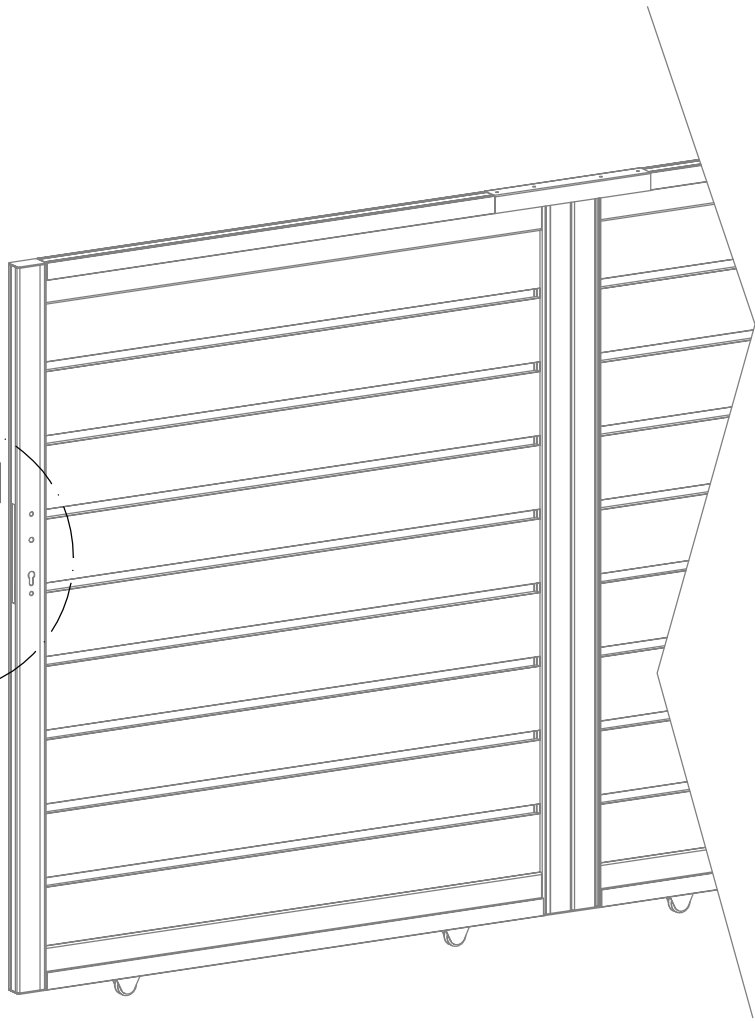
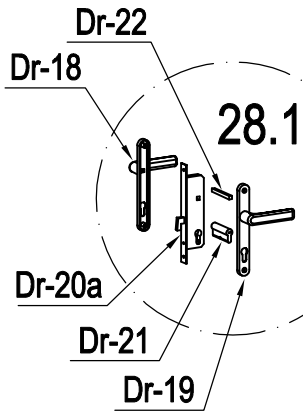


	AT-18	1
	AT-18a	1
	AT-20	4
	VT-U31	3



R

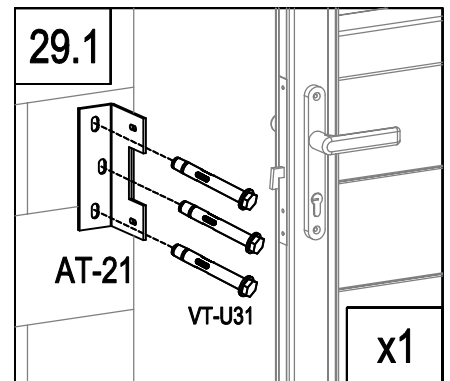
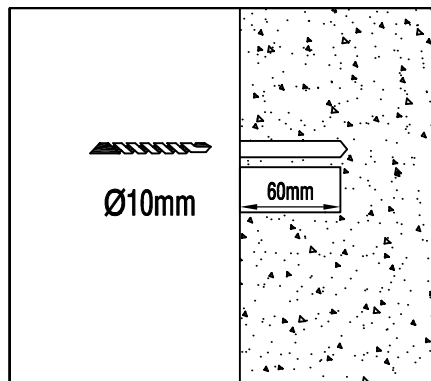
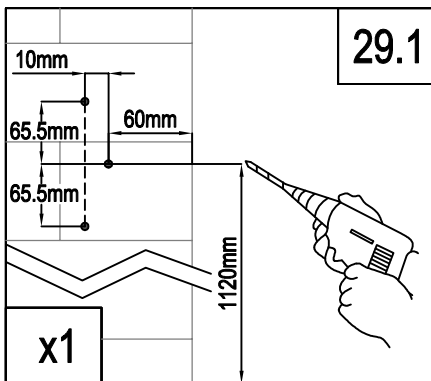
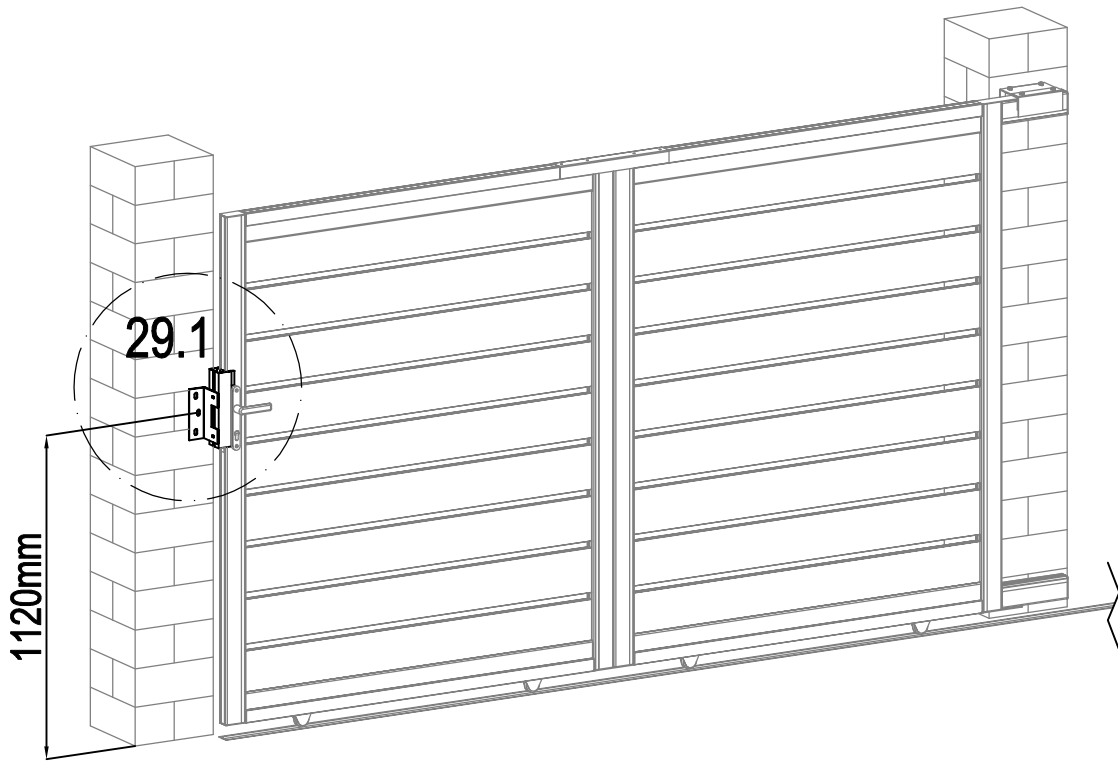




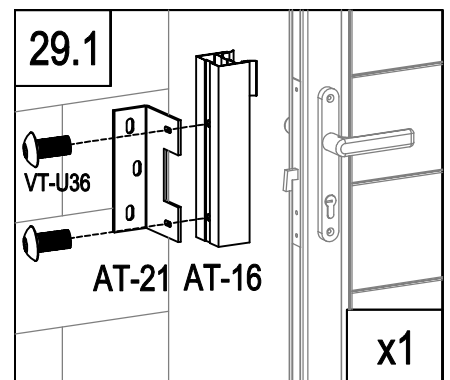
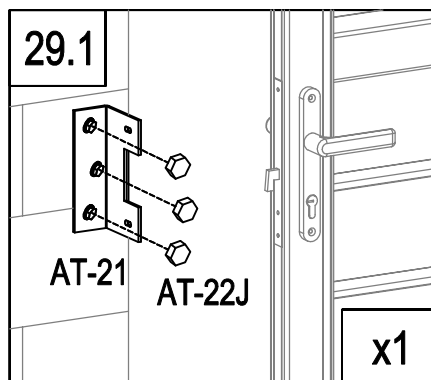
	Dr-20a	1
	Dr-21	1
	Dr-22	1
	Dr-25	1

	Dr-18	1
	Dr-19	1
	Dr-25a	2
	Dr-27	2

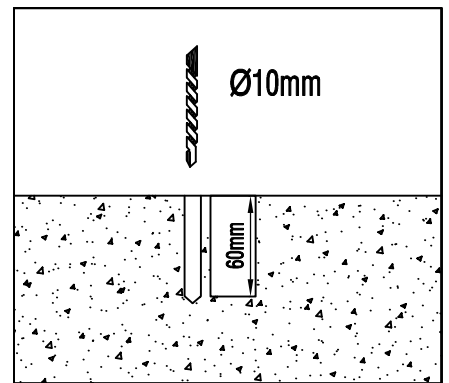
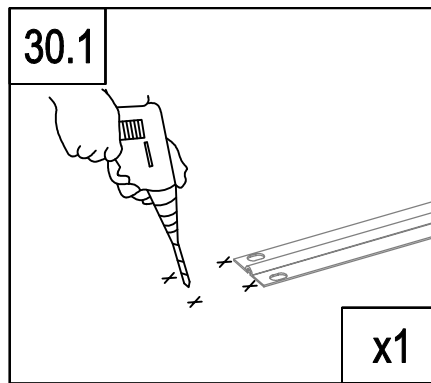
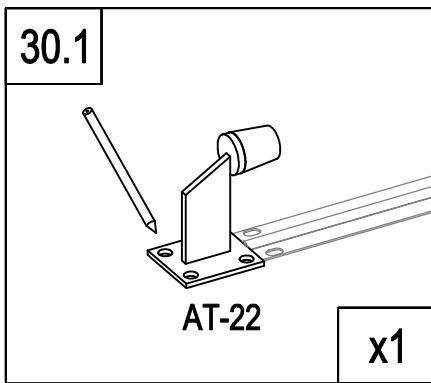
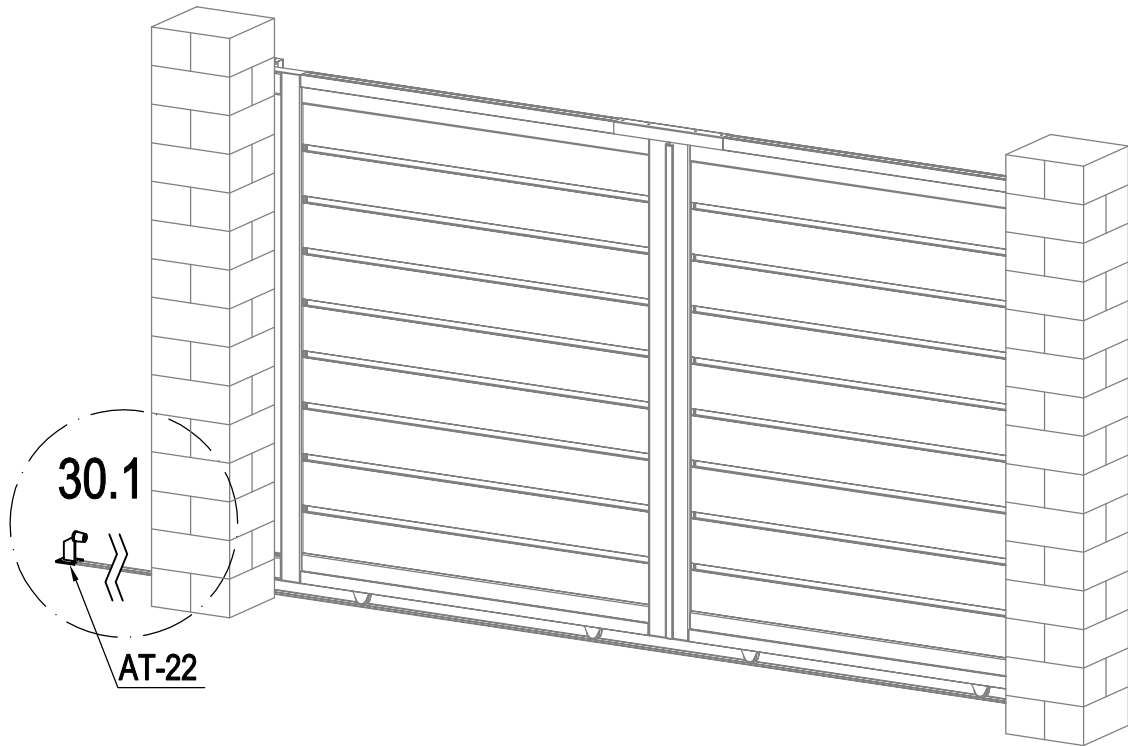
R






	AT-16	1
	AT-21	1
	VT-U36	2
	VT-U31	3
	AT-22J	3



R



	AT-22	1
	VT-U31	4
	AT-22J	4

