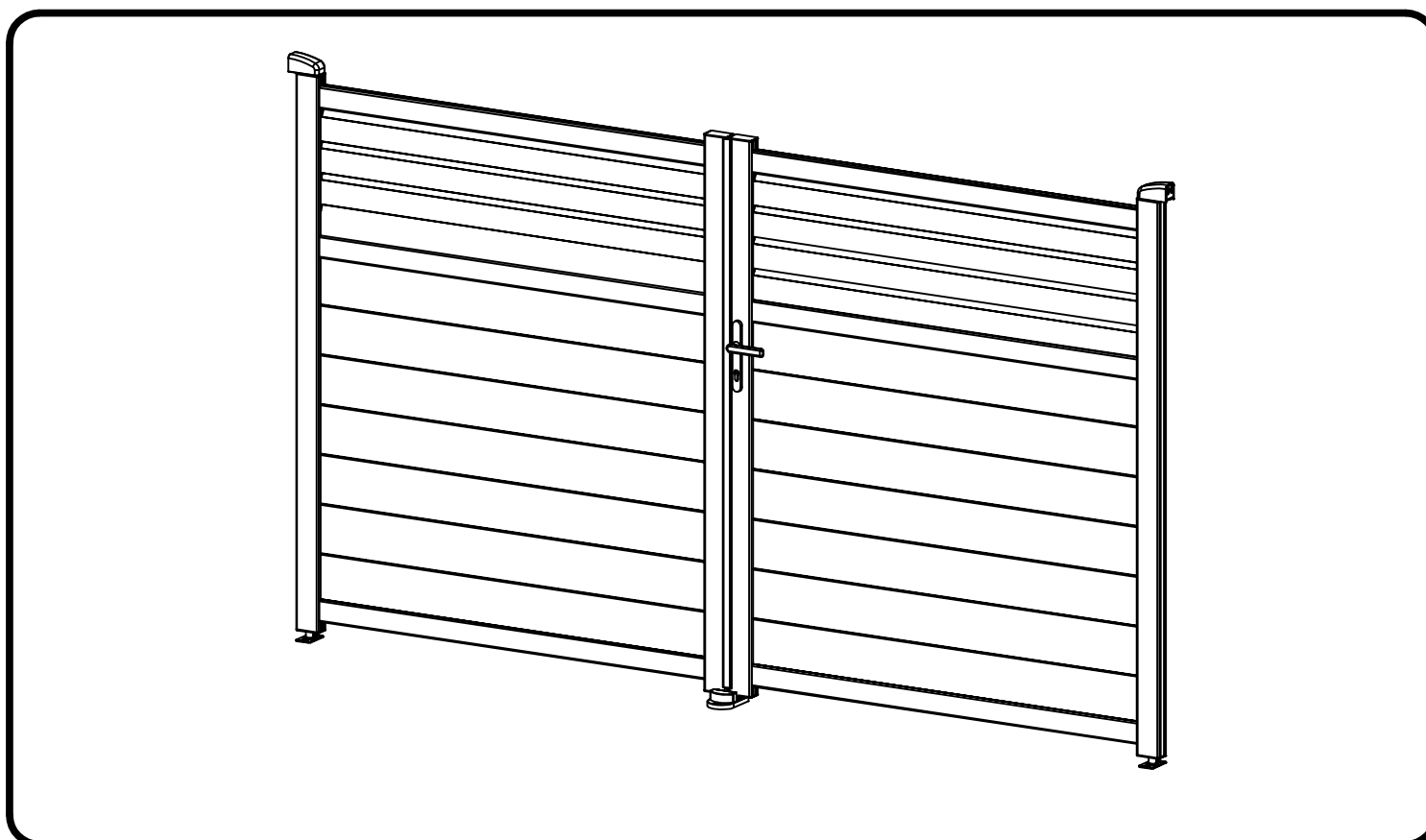


# CASANOVO

## CARPATIA 300B180



7-8H



x2

COM-000113

[x1]

COM-000114

[x1]

COM-000115

[x1]

FR

EN

ES

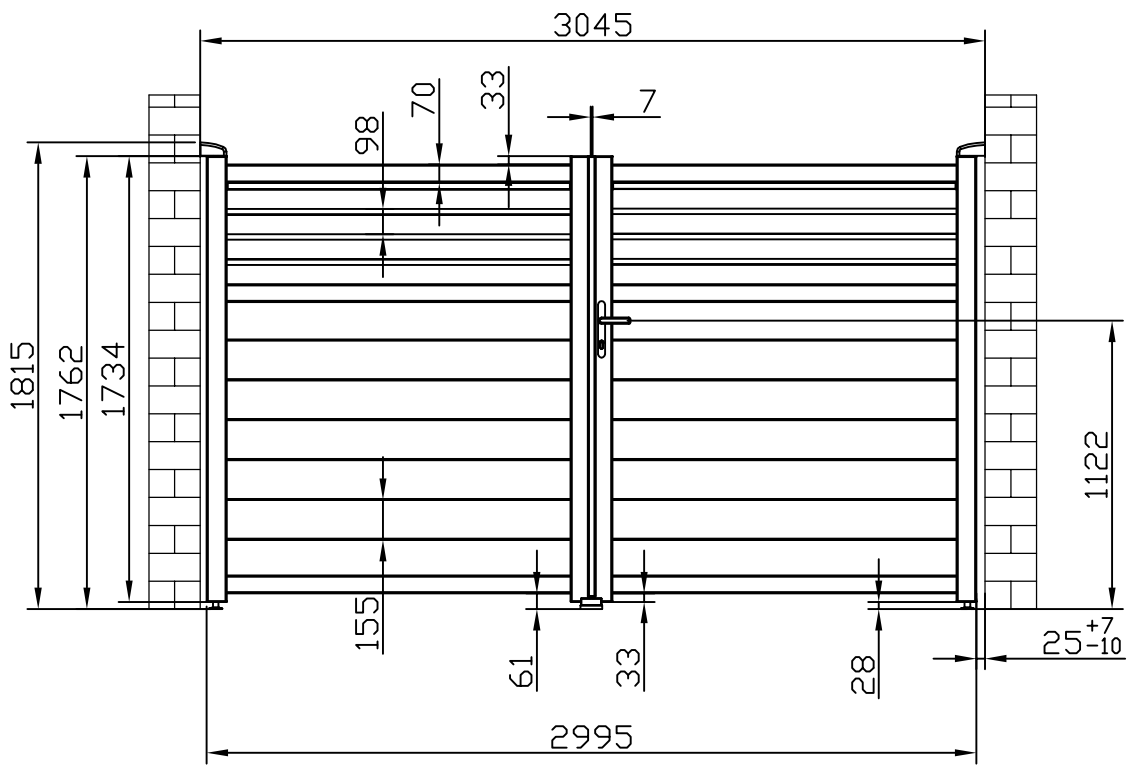
DE

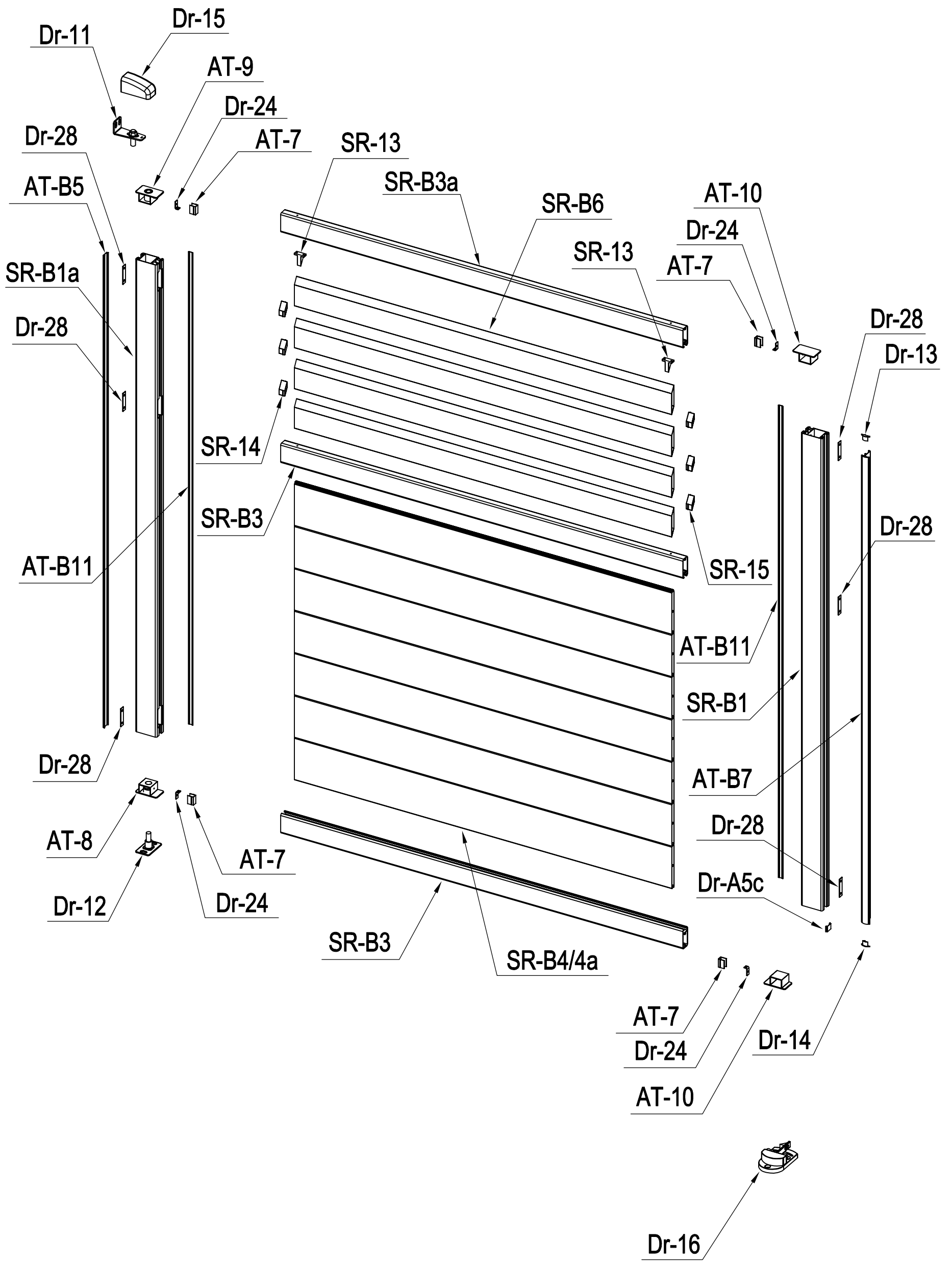
IT

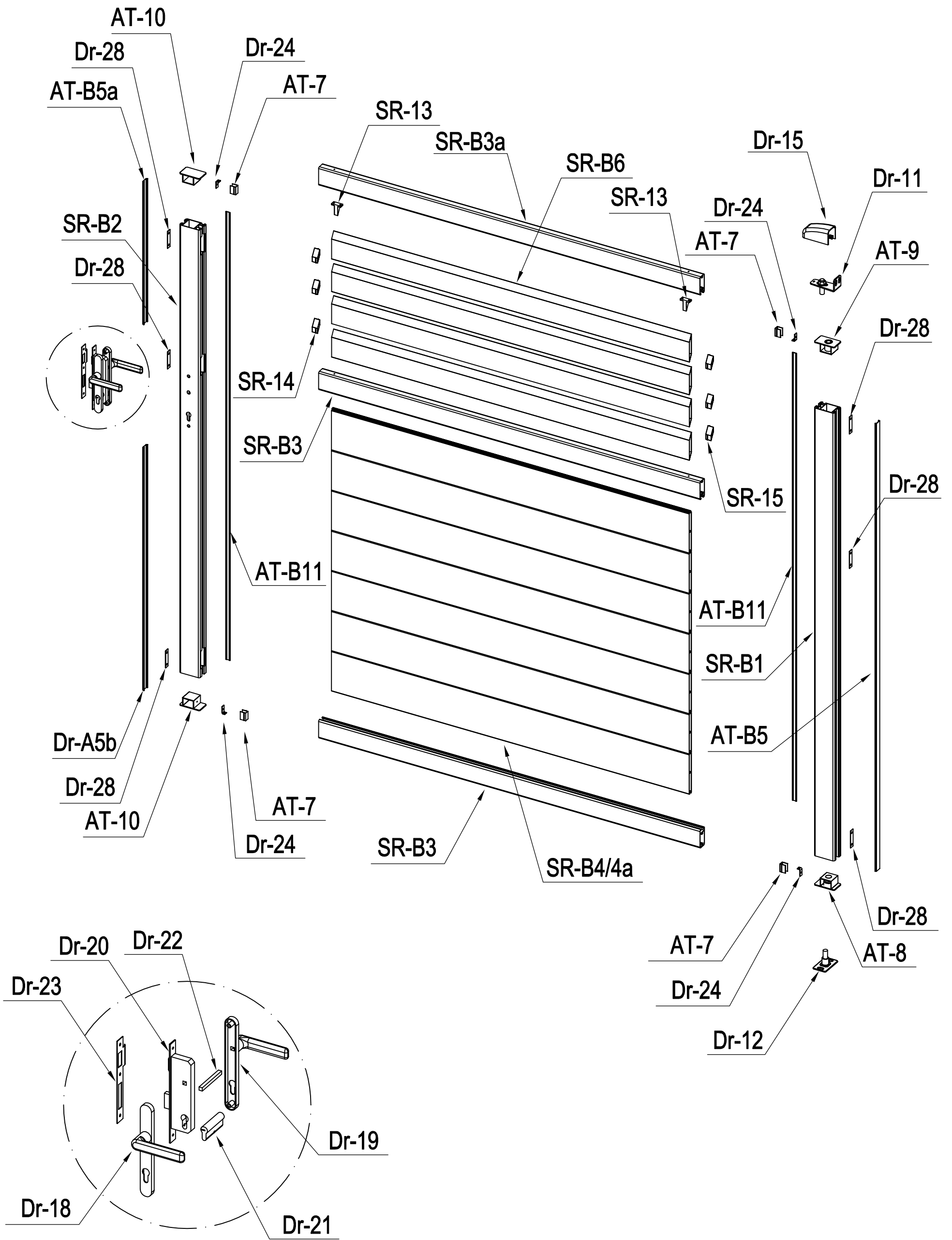
NL

PL

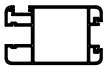
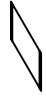
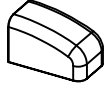
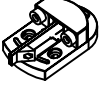
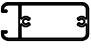


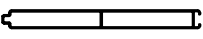
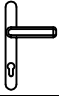
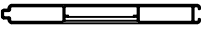
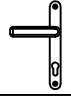
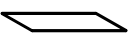
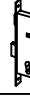
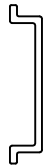
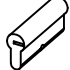







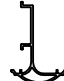

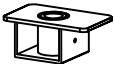








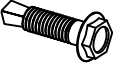


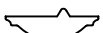







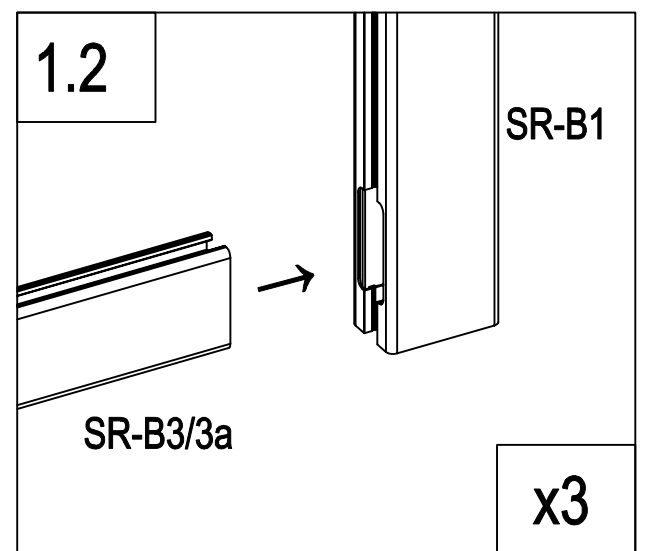
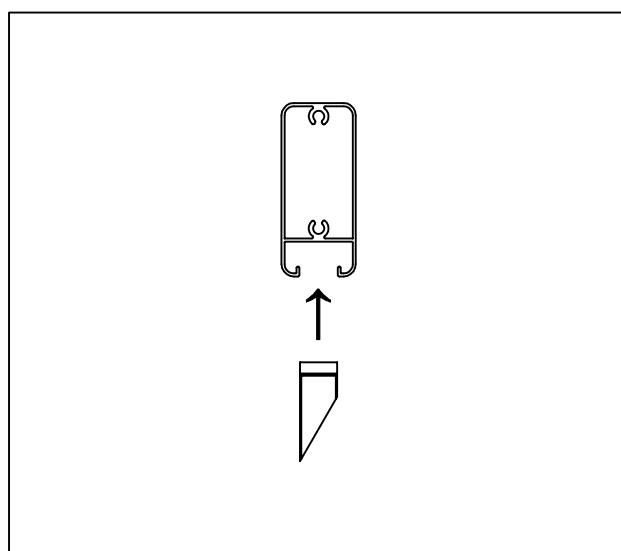
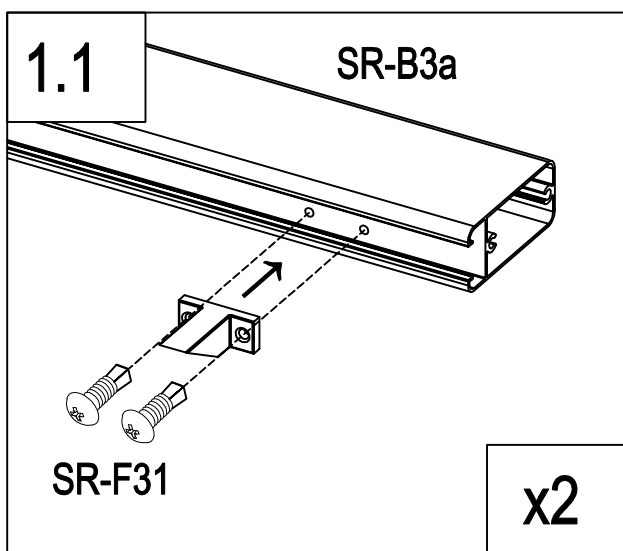
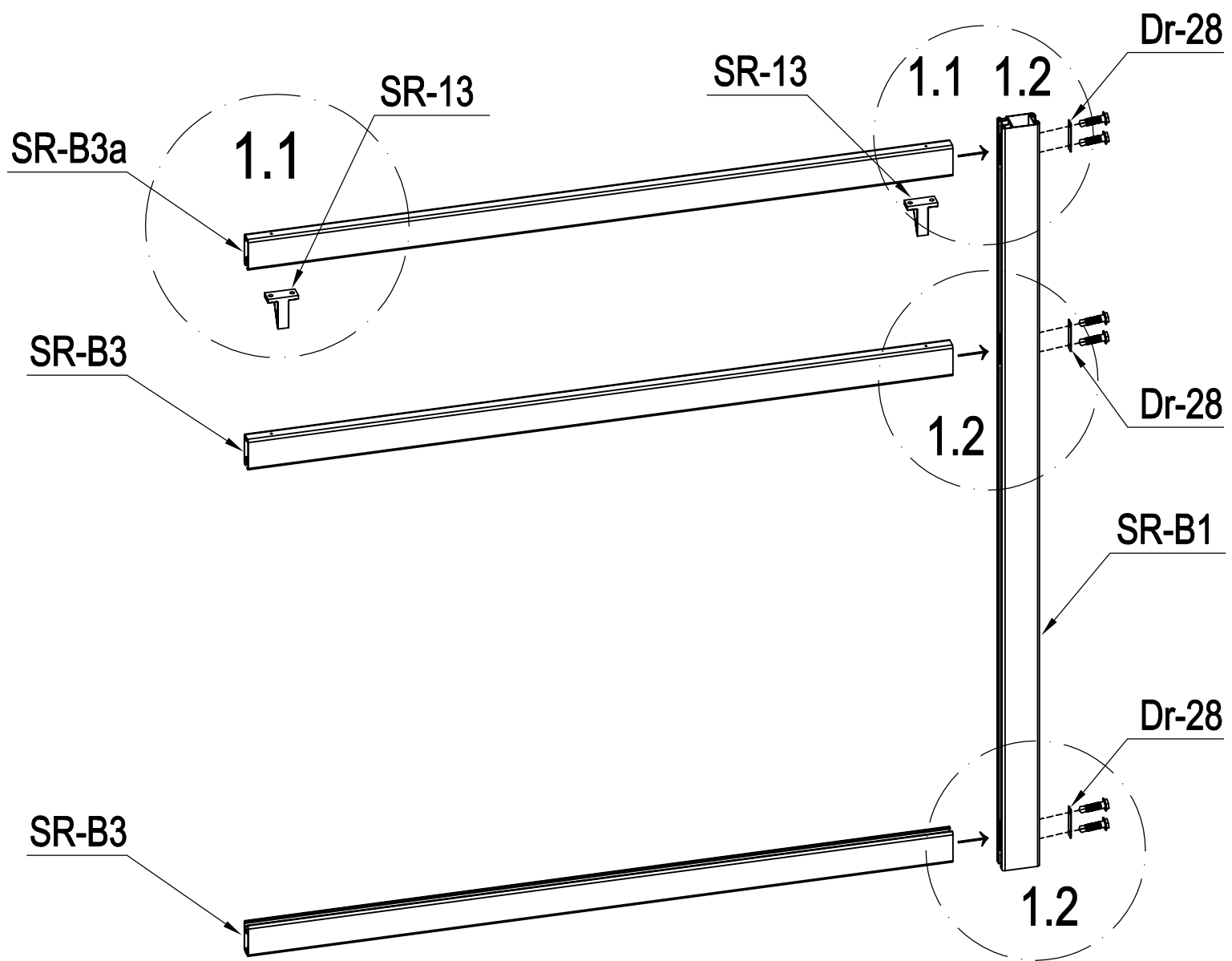




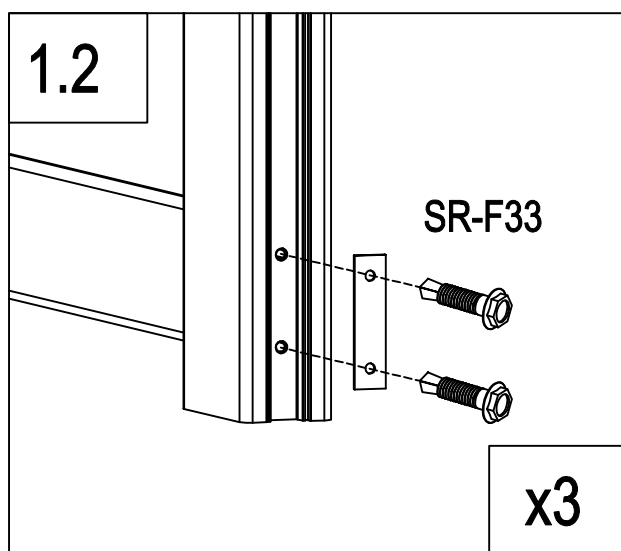


# PART LIST

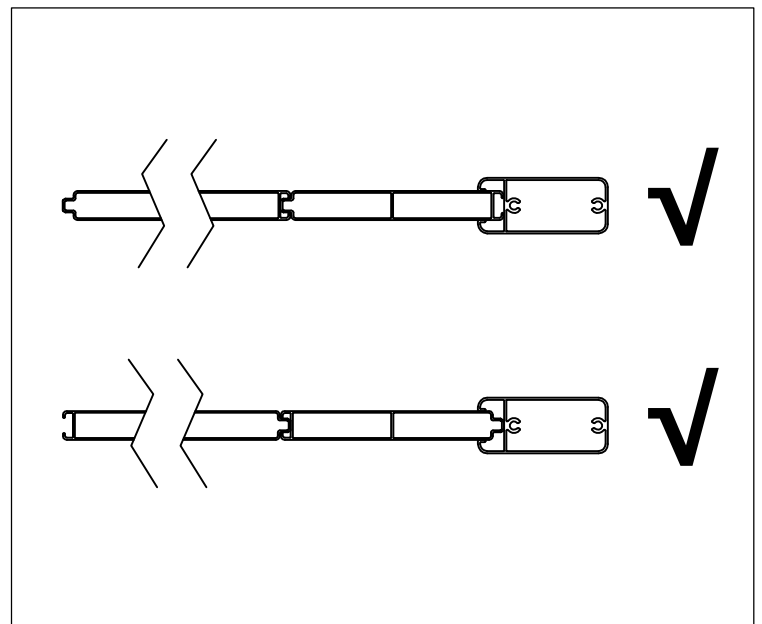
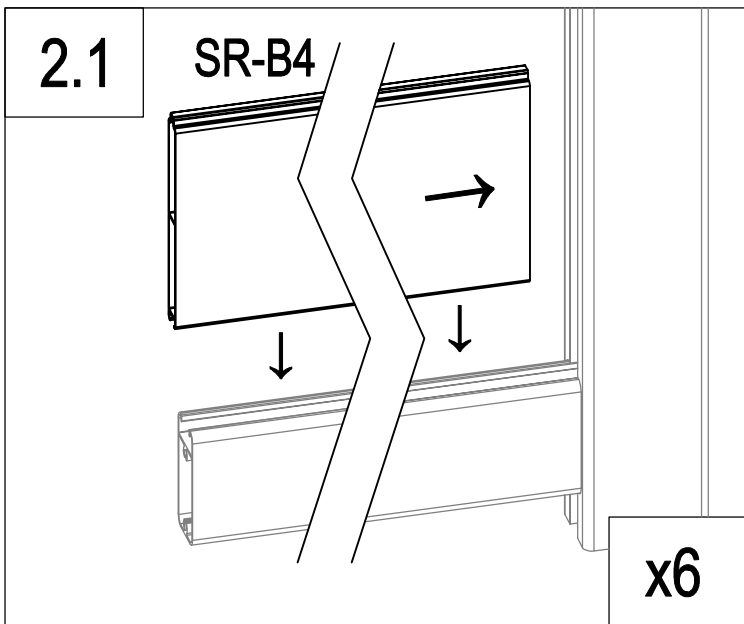
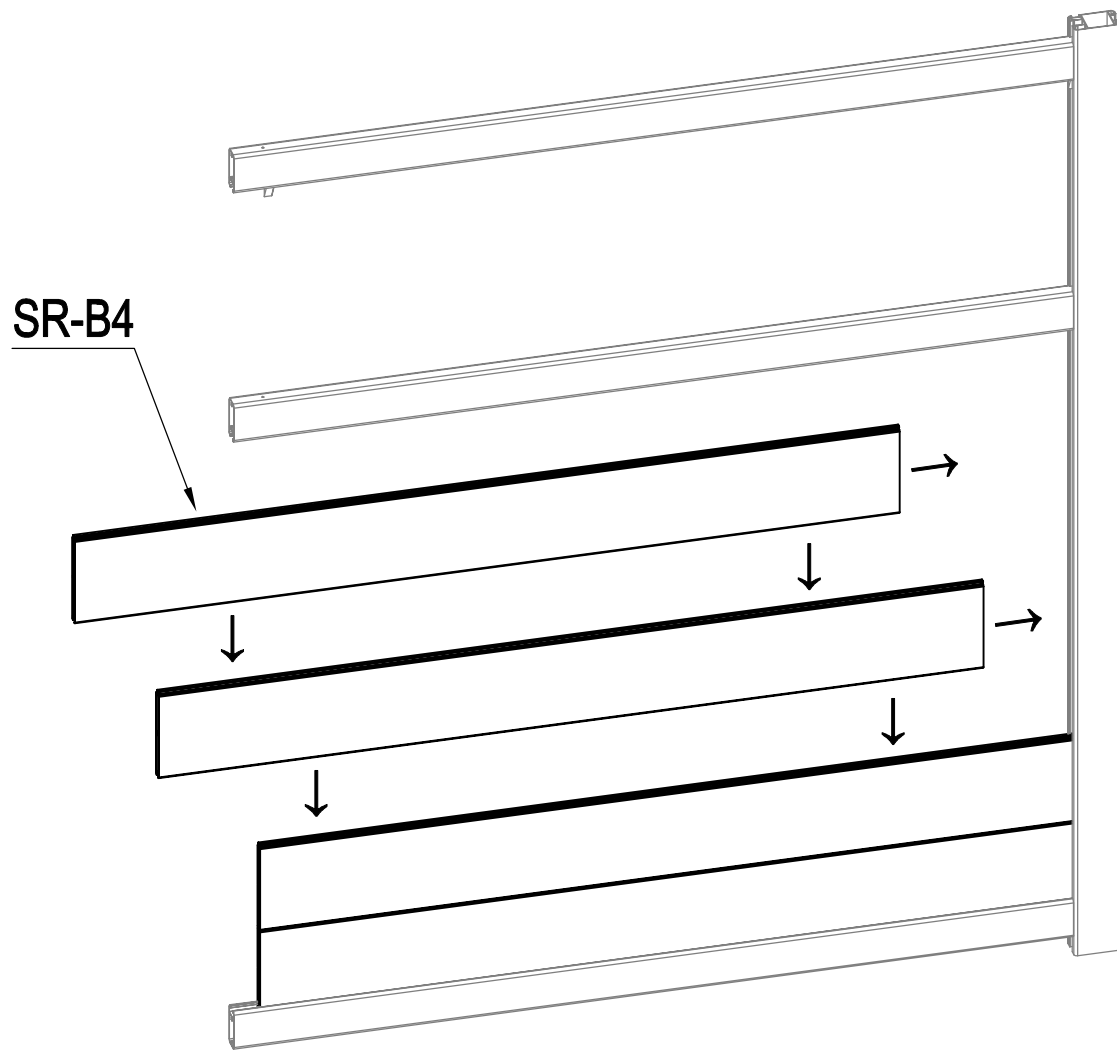
IMAGE	NO.	L.(mm)	QTY	IMAGE	NO.	L.(mm)	QTY
	SR-B1	1728	2		SR-15		6
	SR-B1a	1728	1		Dr-15		2
	SR-B2	1728	1		Dr-16		1
	SR-B3	1471	4		Dr-17		2
	SR-B3a	1471	2		Dr-31		4
	SR-B4	1380	12		Dr-18		1
	SR-B4a (+SR-B15)	1380	2		Dr-19		1
	SR-B6	1380	8		Dr-20		1
	AT-B5	1728	2		Dr-21		1
	AT-B5a	550.5	1		Dr-22		1
	Dr-A5b	937	1		Dr-23		1
	Dr-A5c	19.5	1		Dr-24		8
	AT-B11	1728	4		Dr-25		1
	AT-7	29.5	8		Dr-25a		2
	AT-B7	1708	1		Dr-26		3
	AT-8		2		Dr-27		2
	AT-9		2		SR-F30		8
	AT-10		4		SR-F31		16
	Dr-11		2		SR-F32		12
	Dr-12		2		SR-F33		24
	Dr-13		1		SR-F34		3
	Dr-14		1		SR-F35		3
	SR-13		4		SR-F36		72
	SR-14		6		DR-28		12



	SR-B1	1
	SR-B3	2
	SR-B3a	1
	SR-13	2

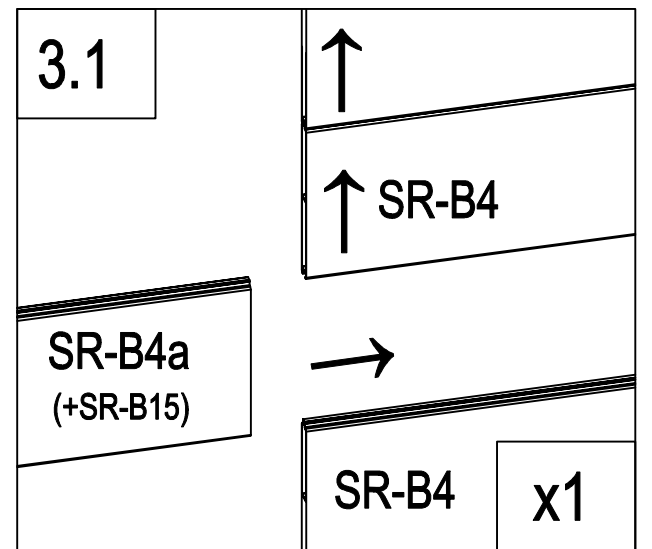
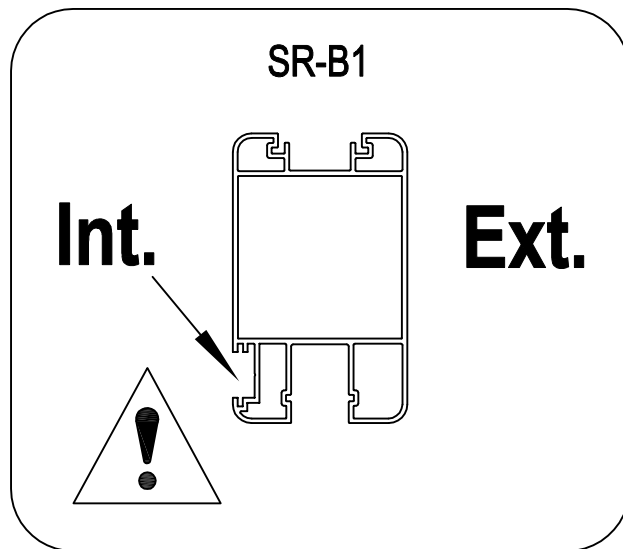
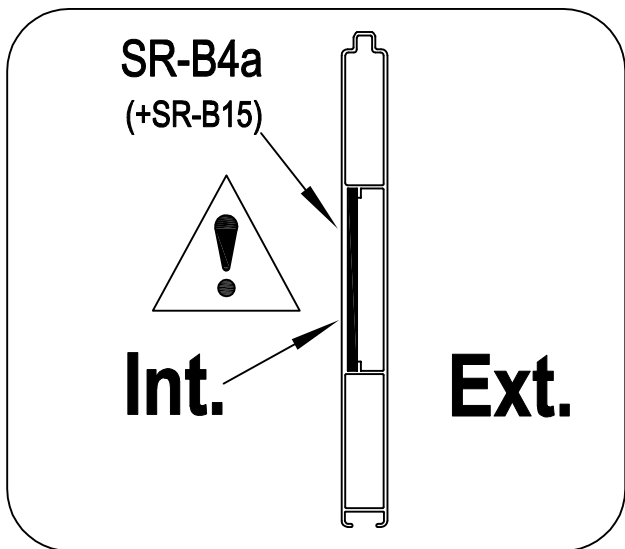
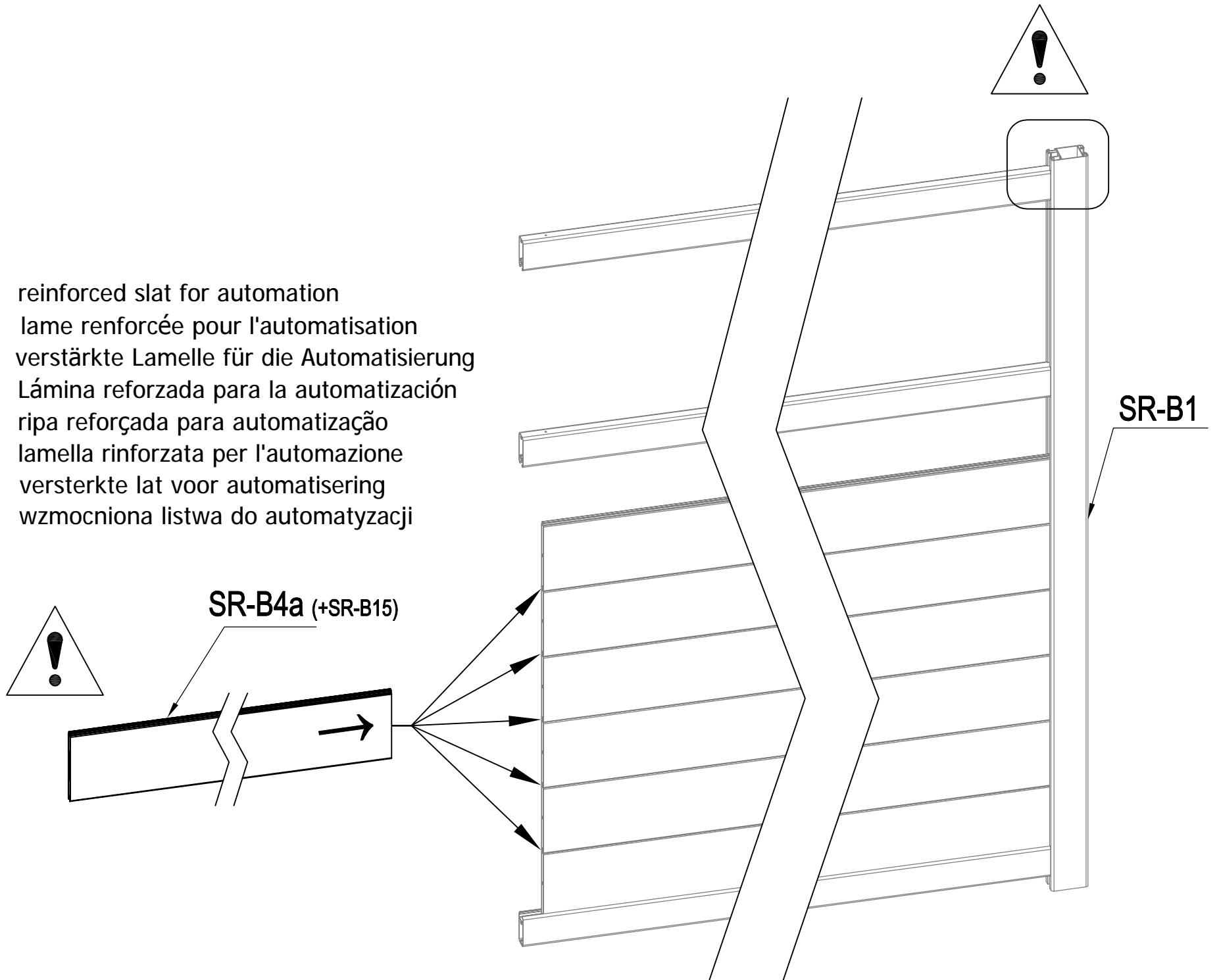



	Dr-28	3
	SR-F31	4
	SR-F33	6



	SR-B4	6
---	-------	---

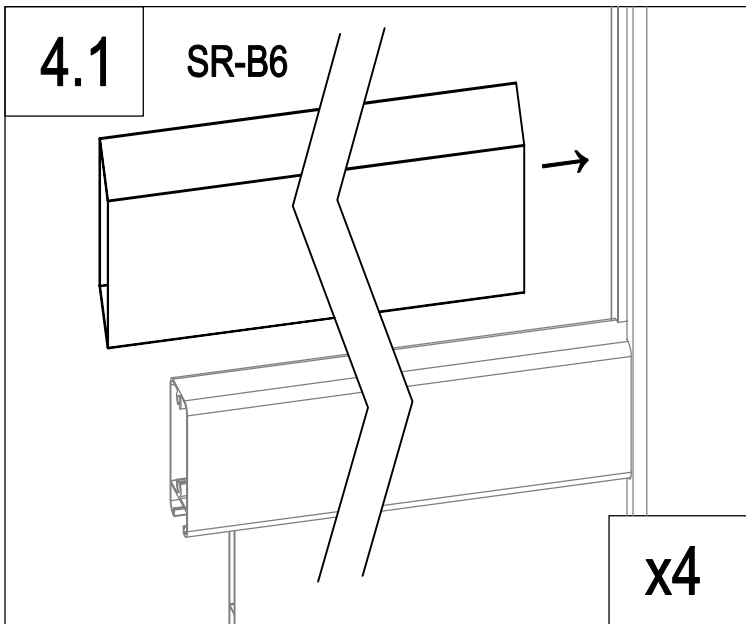
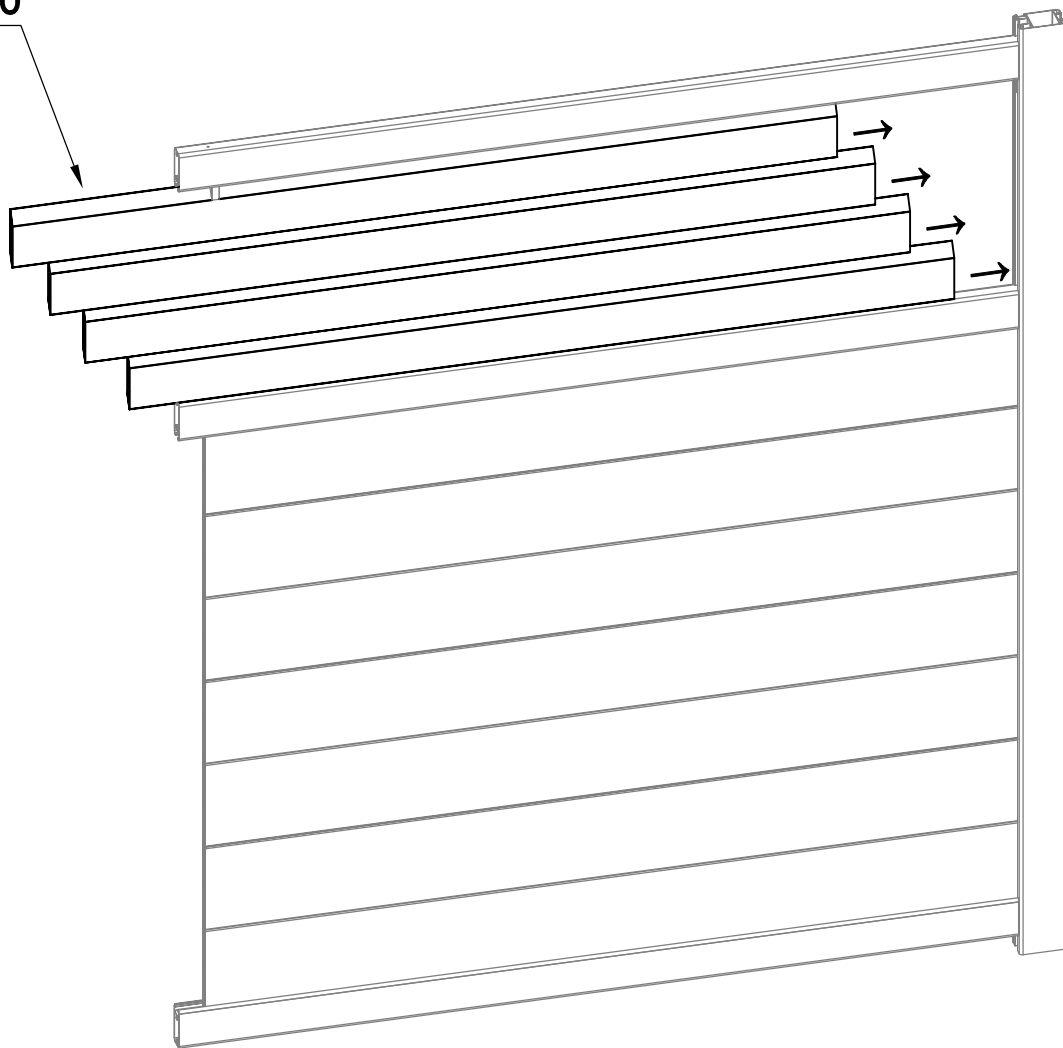
EN: reinforced slat for automation  
 FR: lame renforcée pour l'automatisation  
 DE: verstärkte Lamelle für die Automatisierung  
 ES: Lámina reforzada para la automatización  
 PT: ripa reforçada para automatização  
 IT: lamella rinforzata per l'automazione  
 NL: versterkte lat voor automatisering  
 PL: wzmocniona listwa do automatyzacji

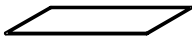


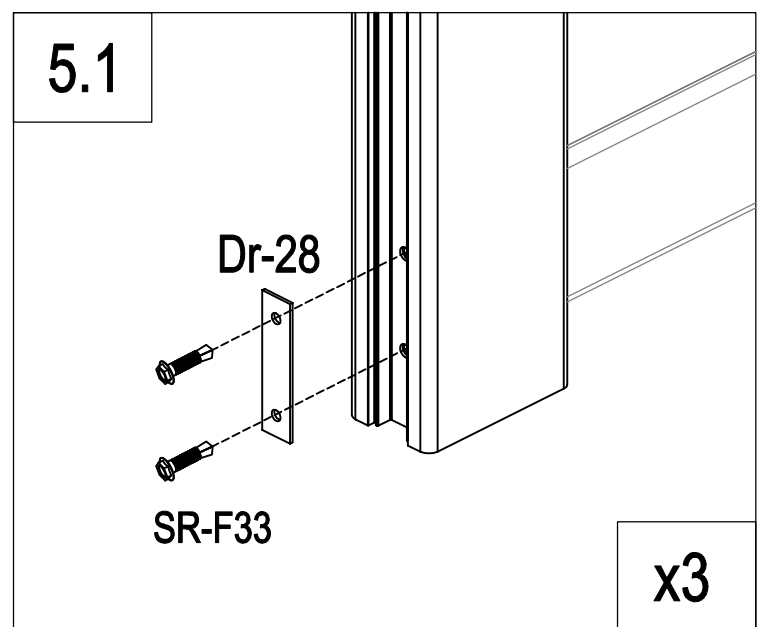
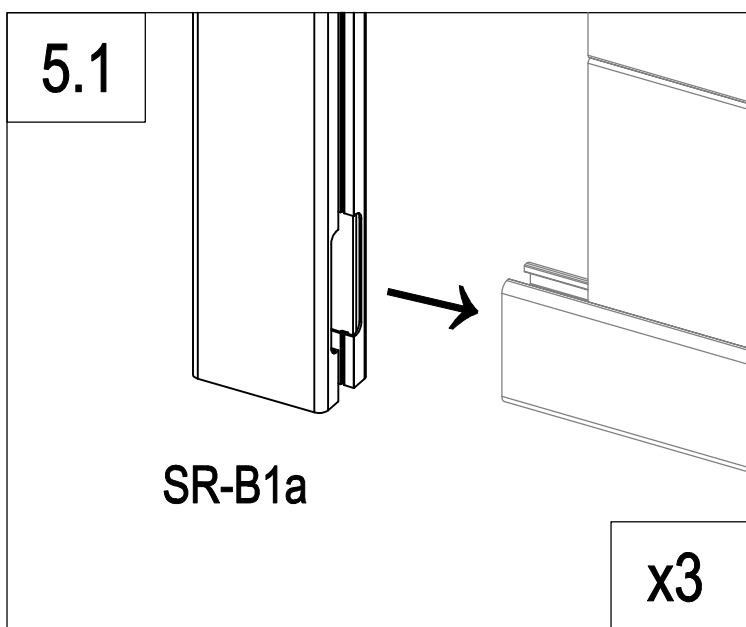
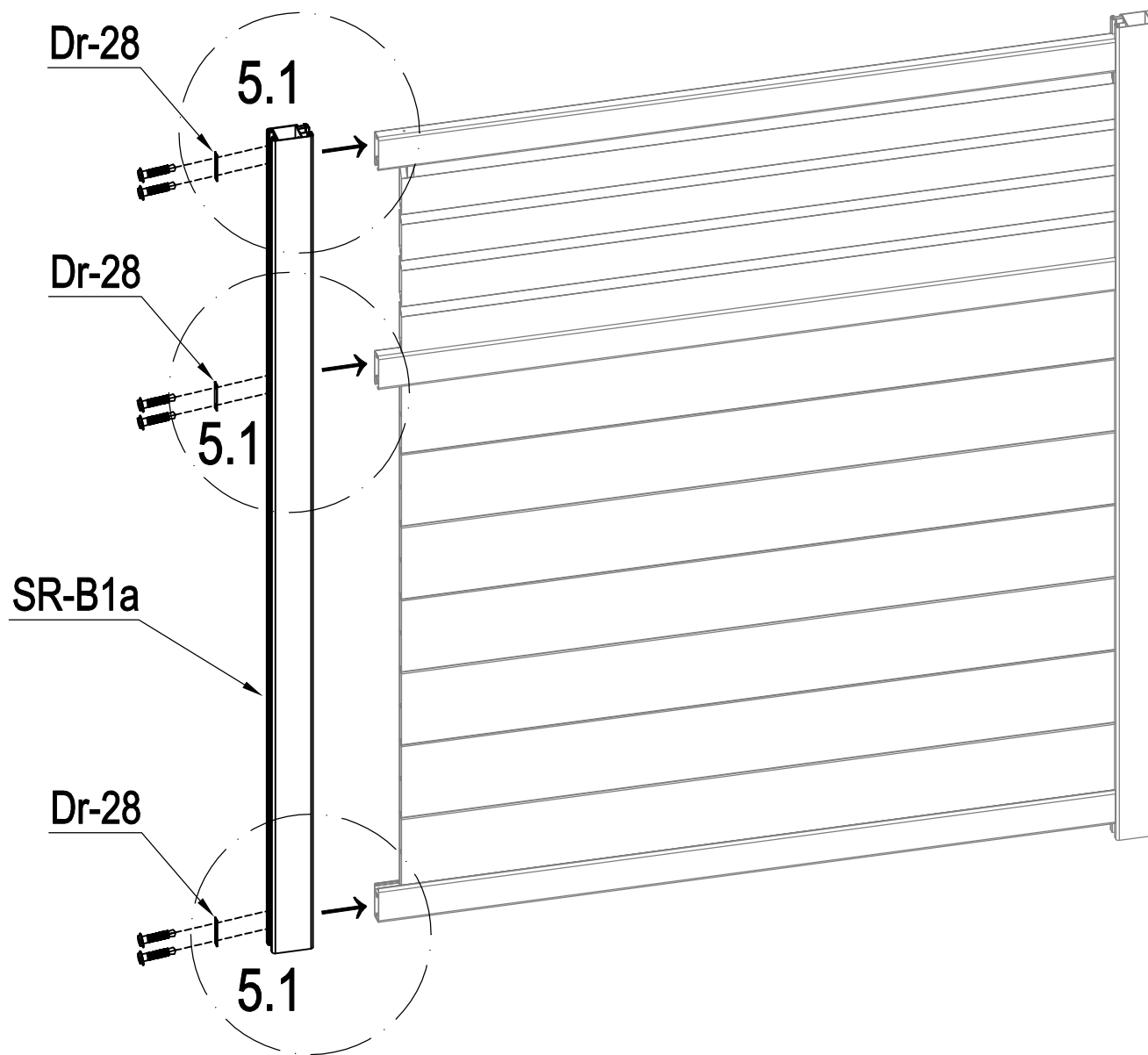
	SR-B4a (+SR-B15)	1
---	------------------	---

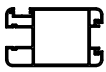




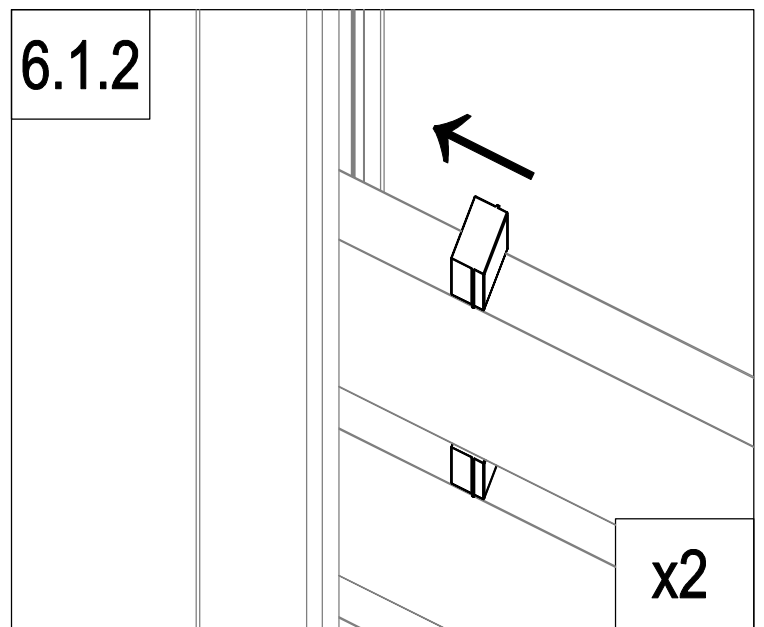
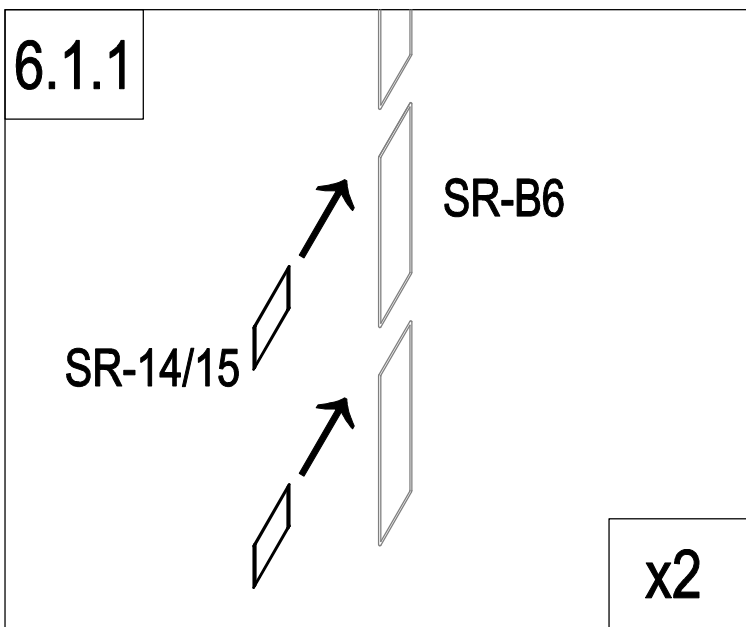
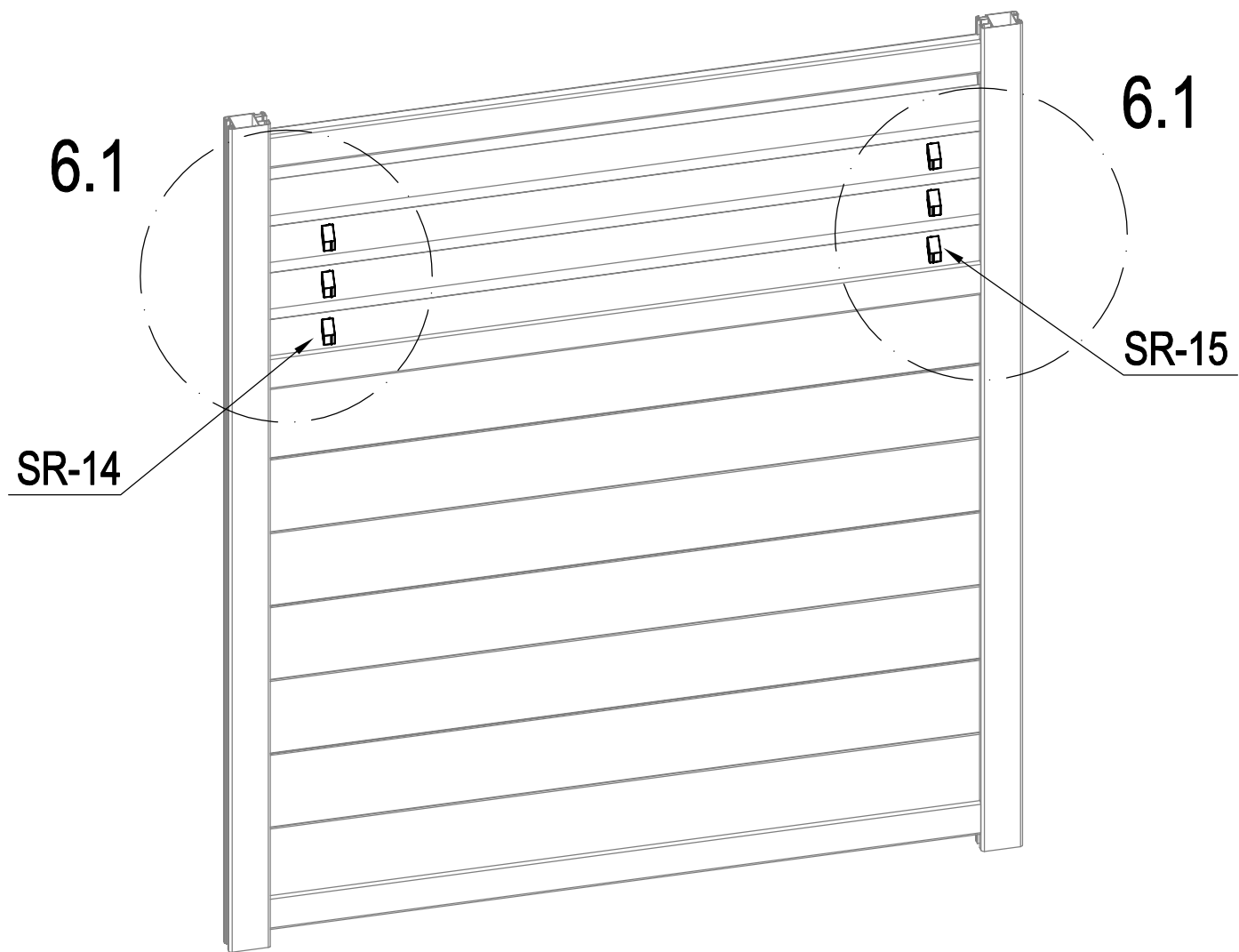
SR-B6





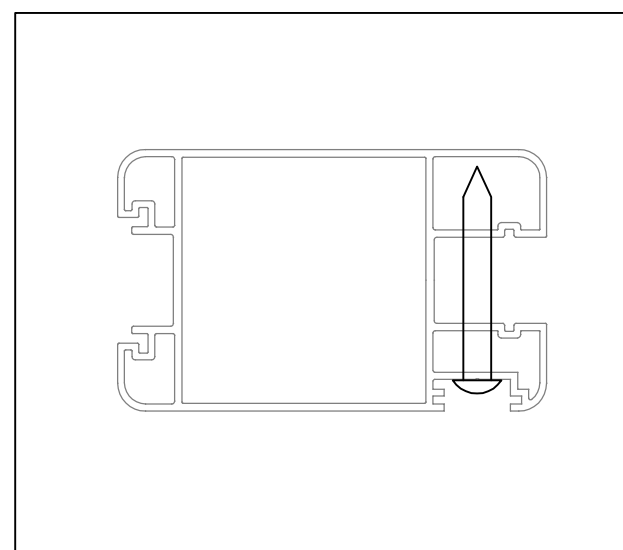
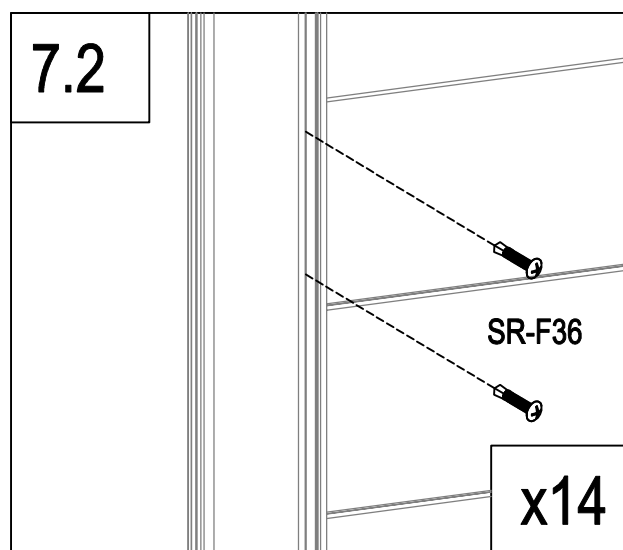
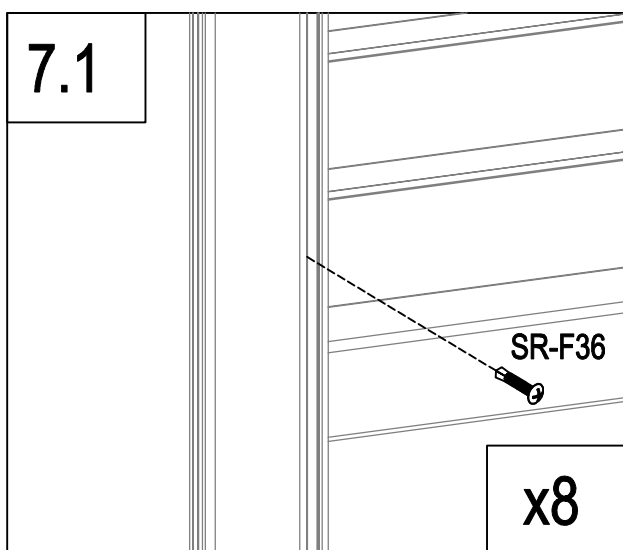
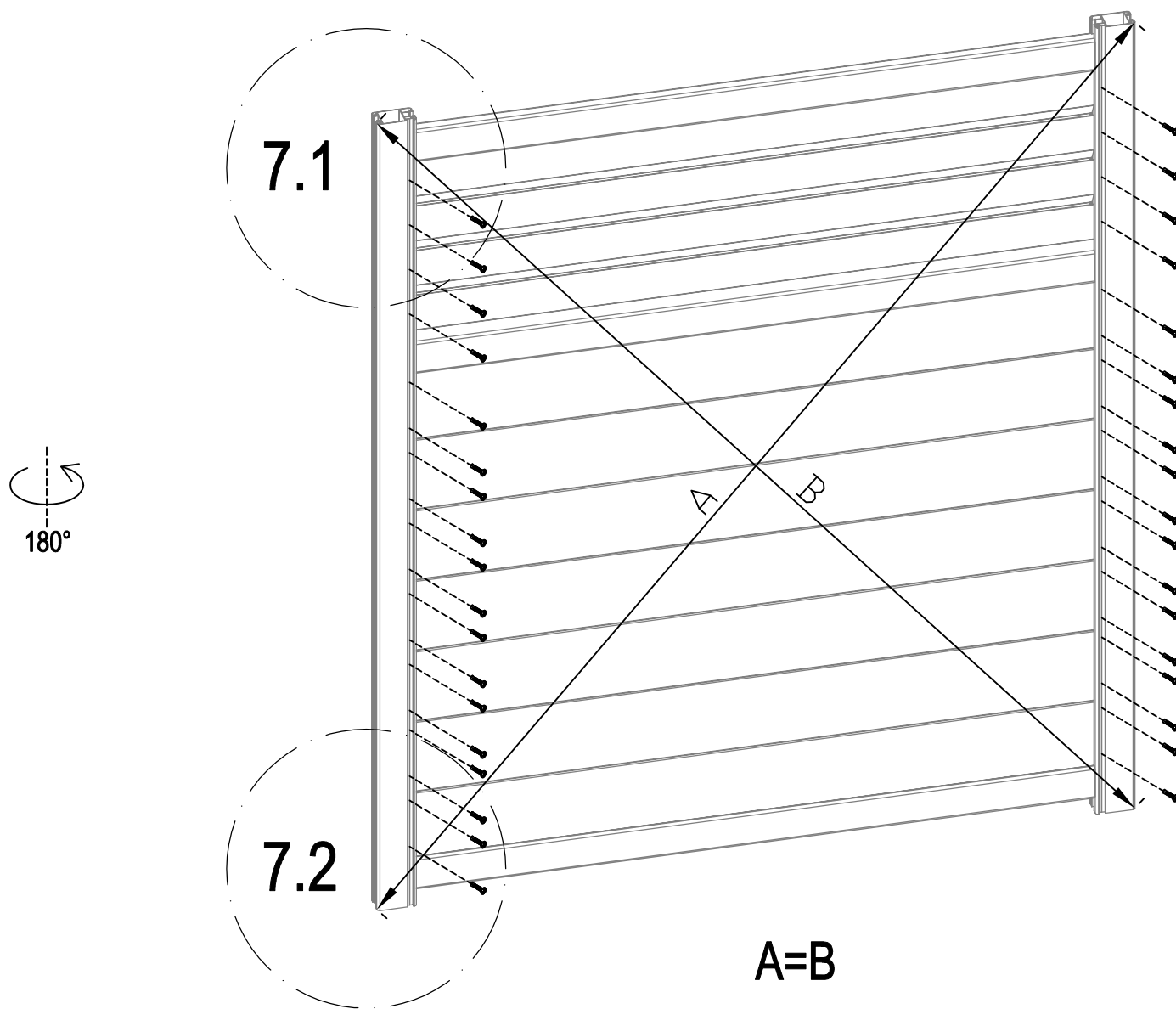
	SR-B6	4
---	-------	---



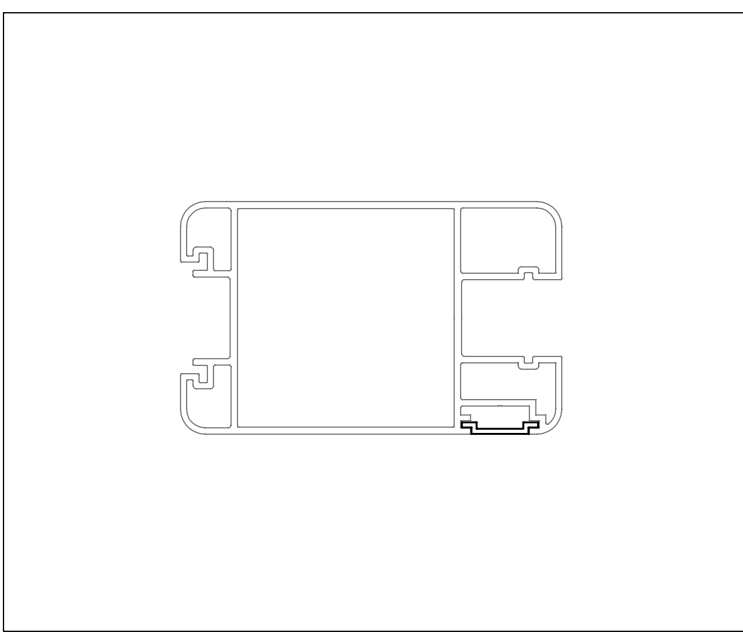
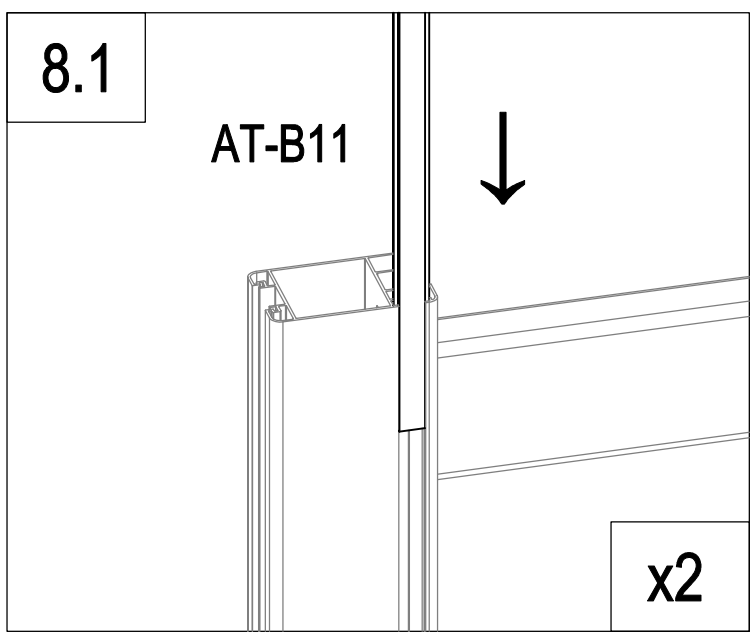
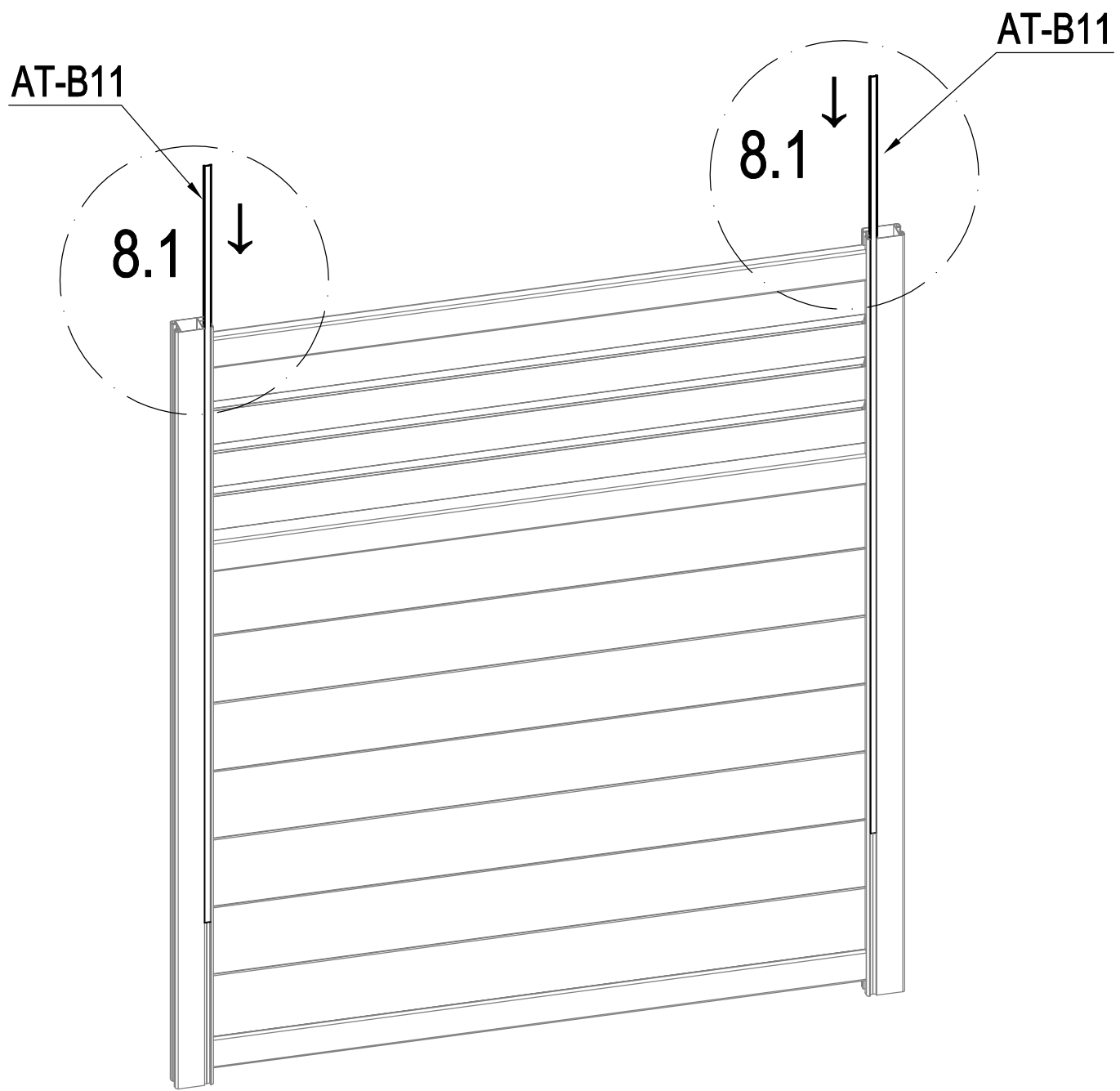
	SR-B1a	1
	Dr-28	3
	SR-F33	6

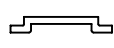


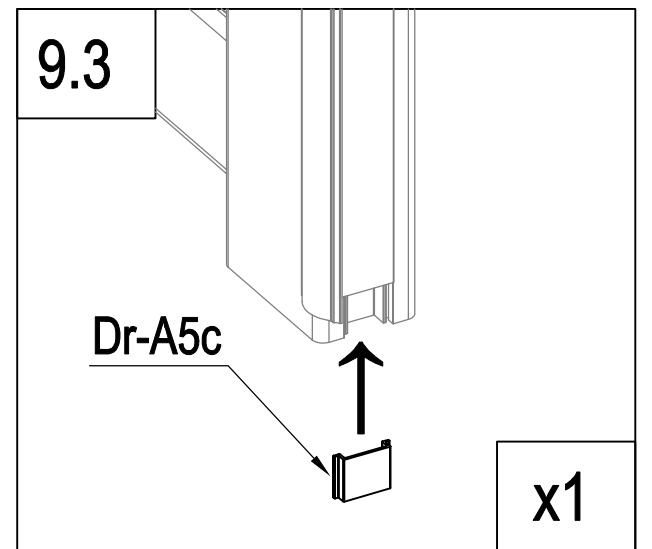
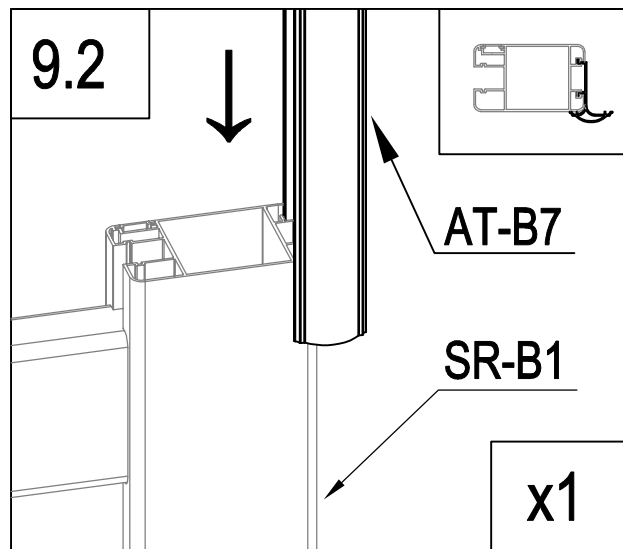
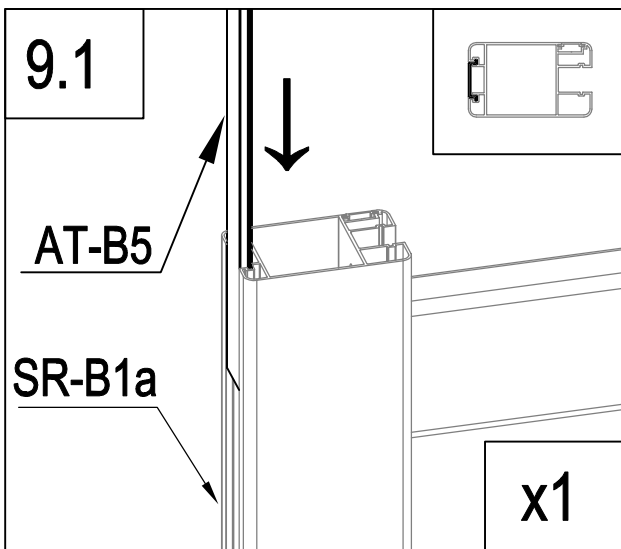
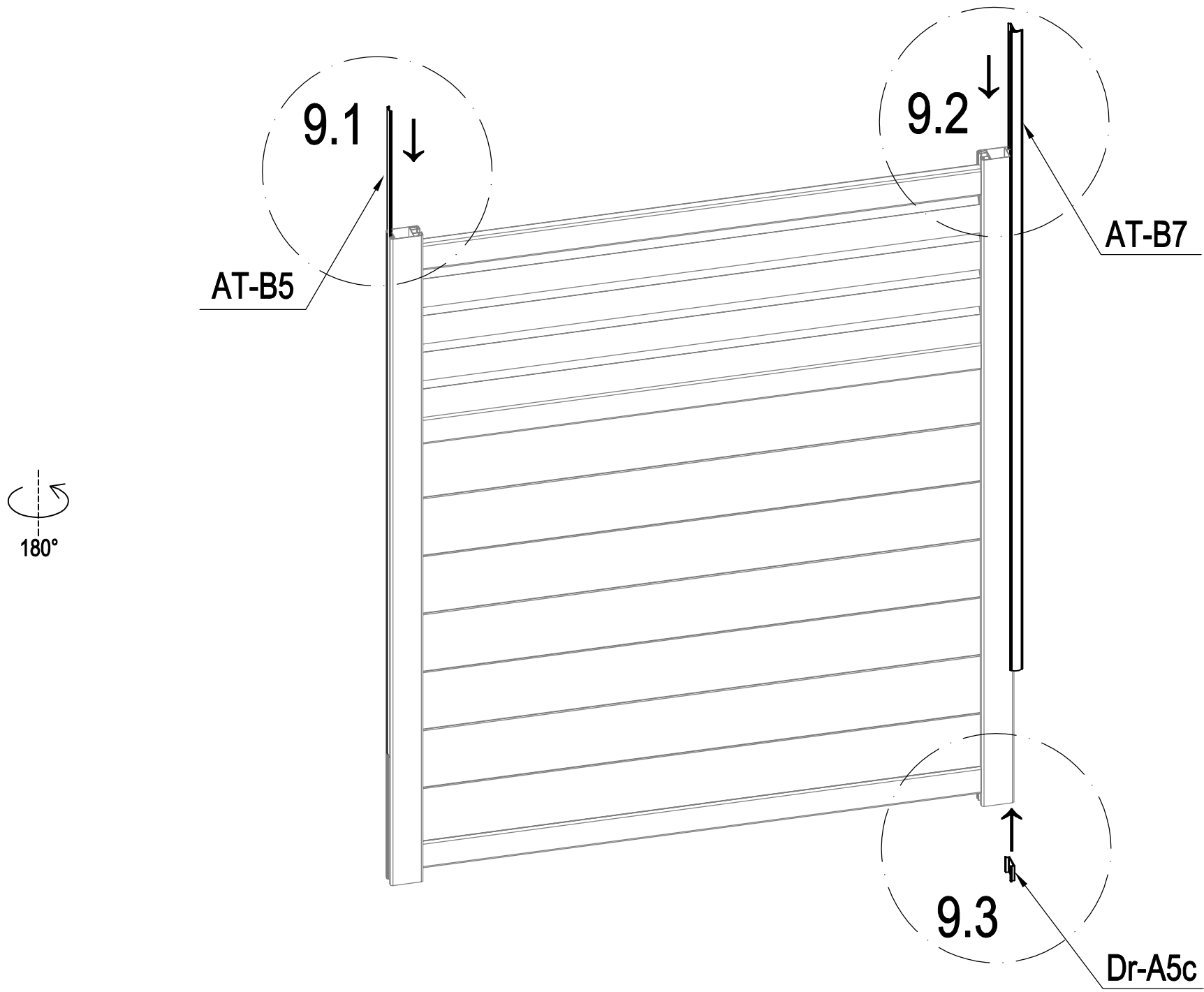
	SR-14	3
	SR-15	3


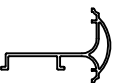


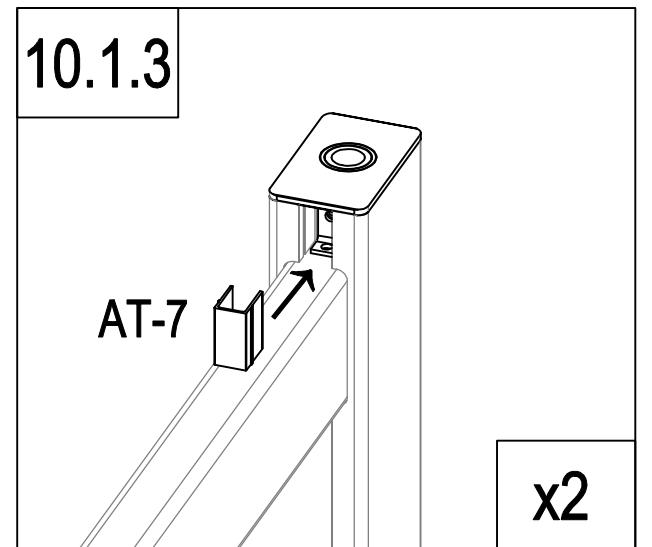
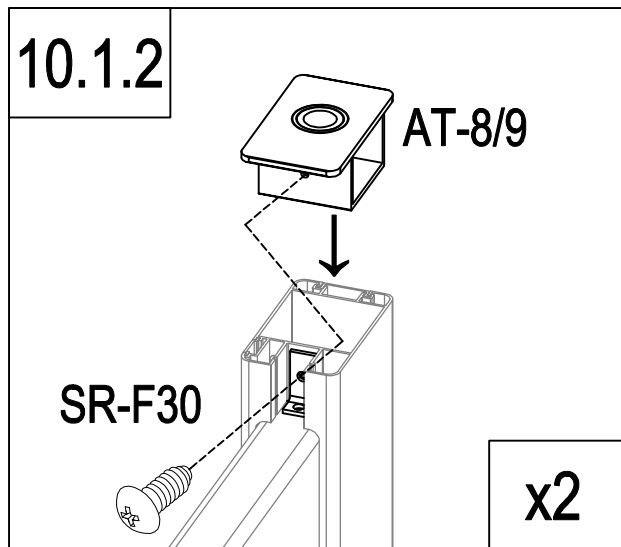
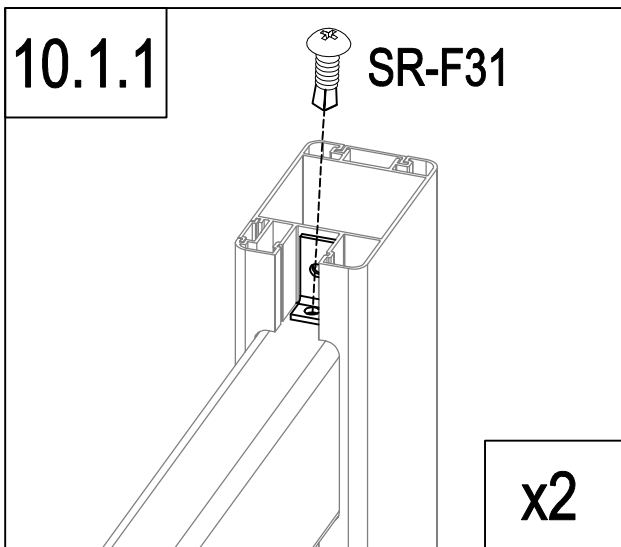
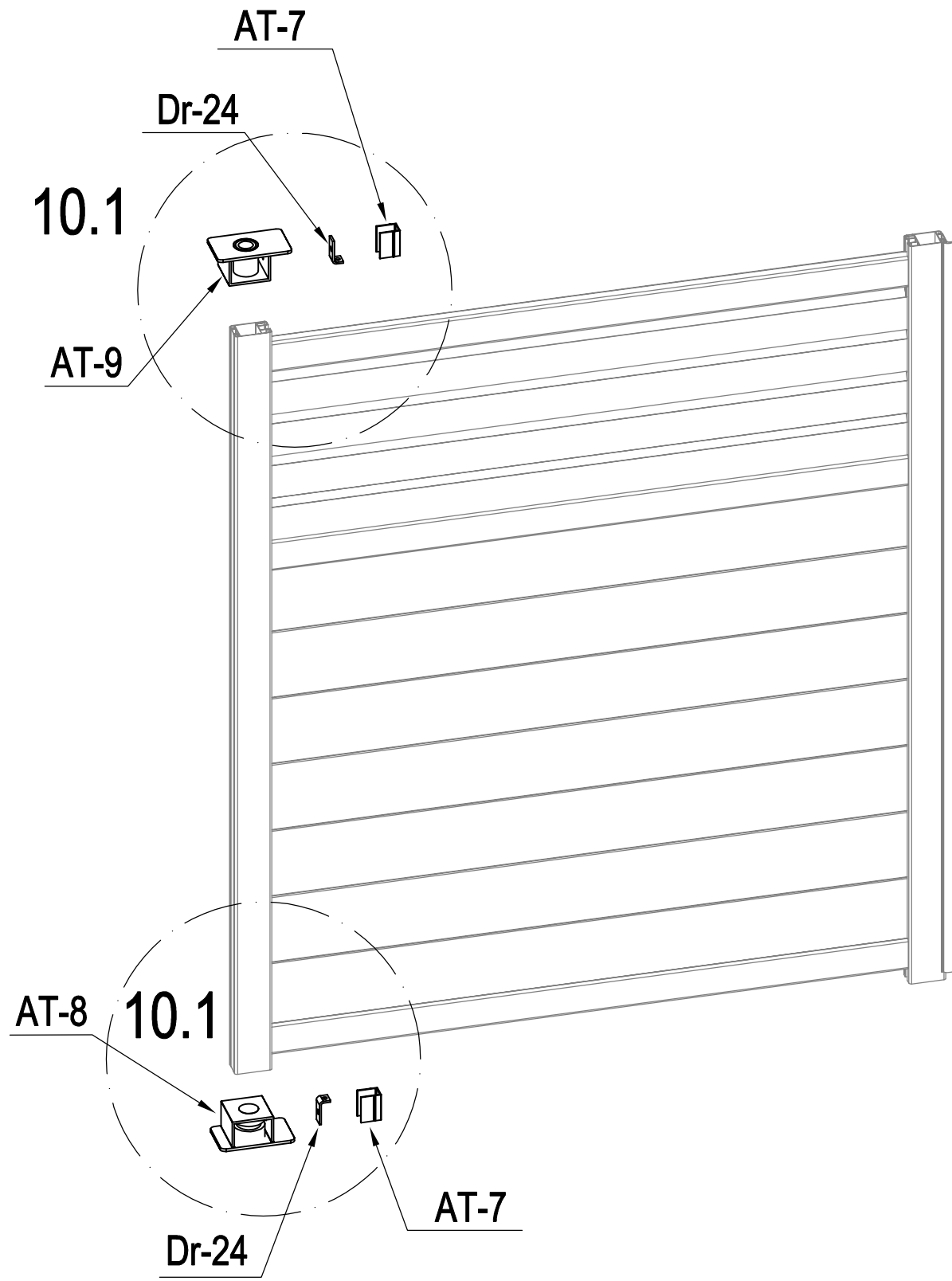
	SR-F36	36
---	--------	----



	<p>AT-B11</p>	<p>2</p>
---	---------------	----------

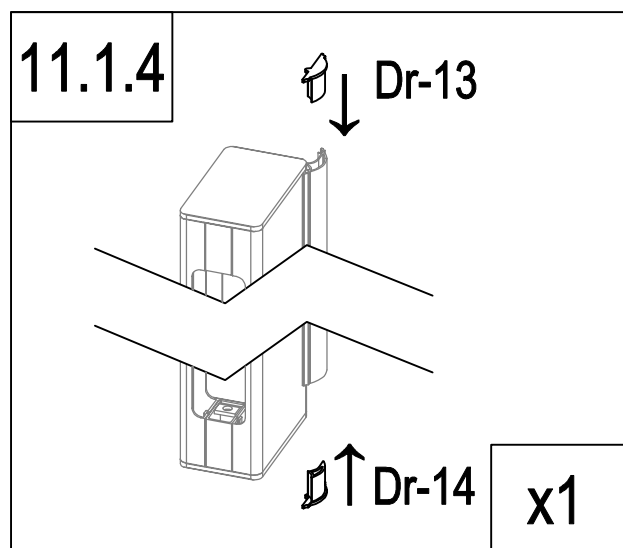
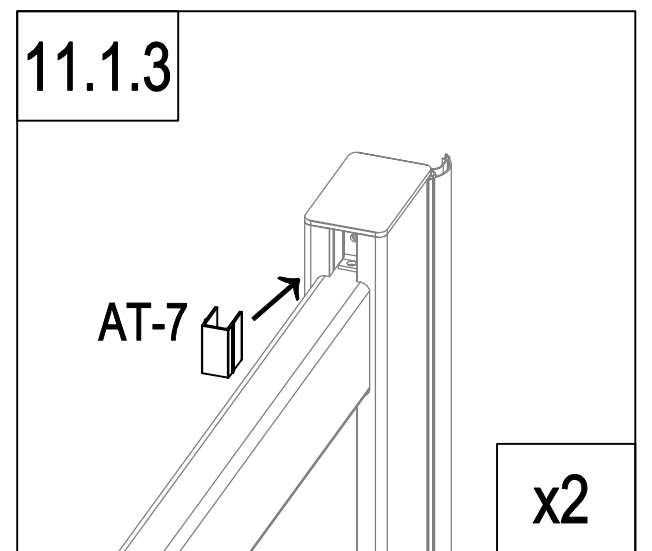
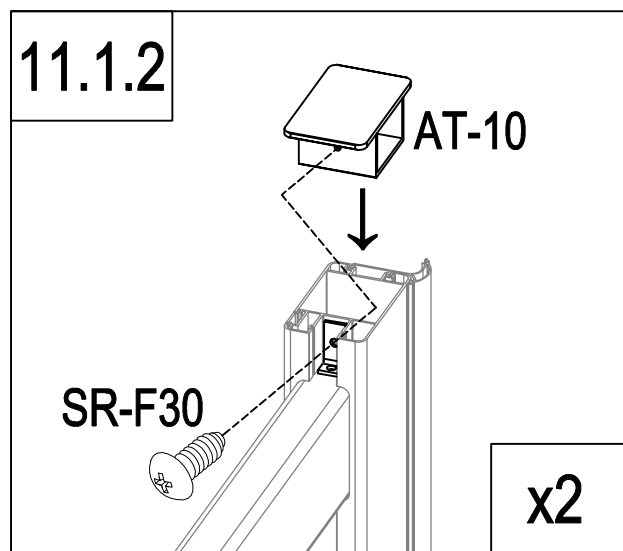
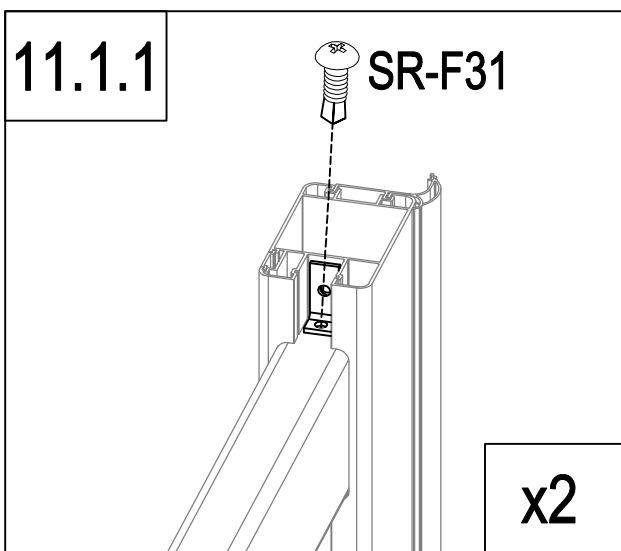
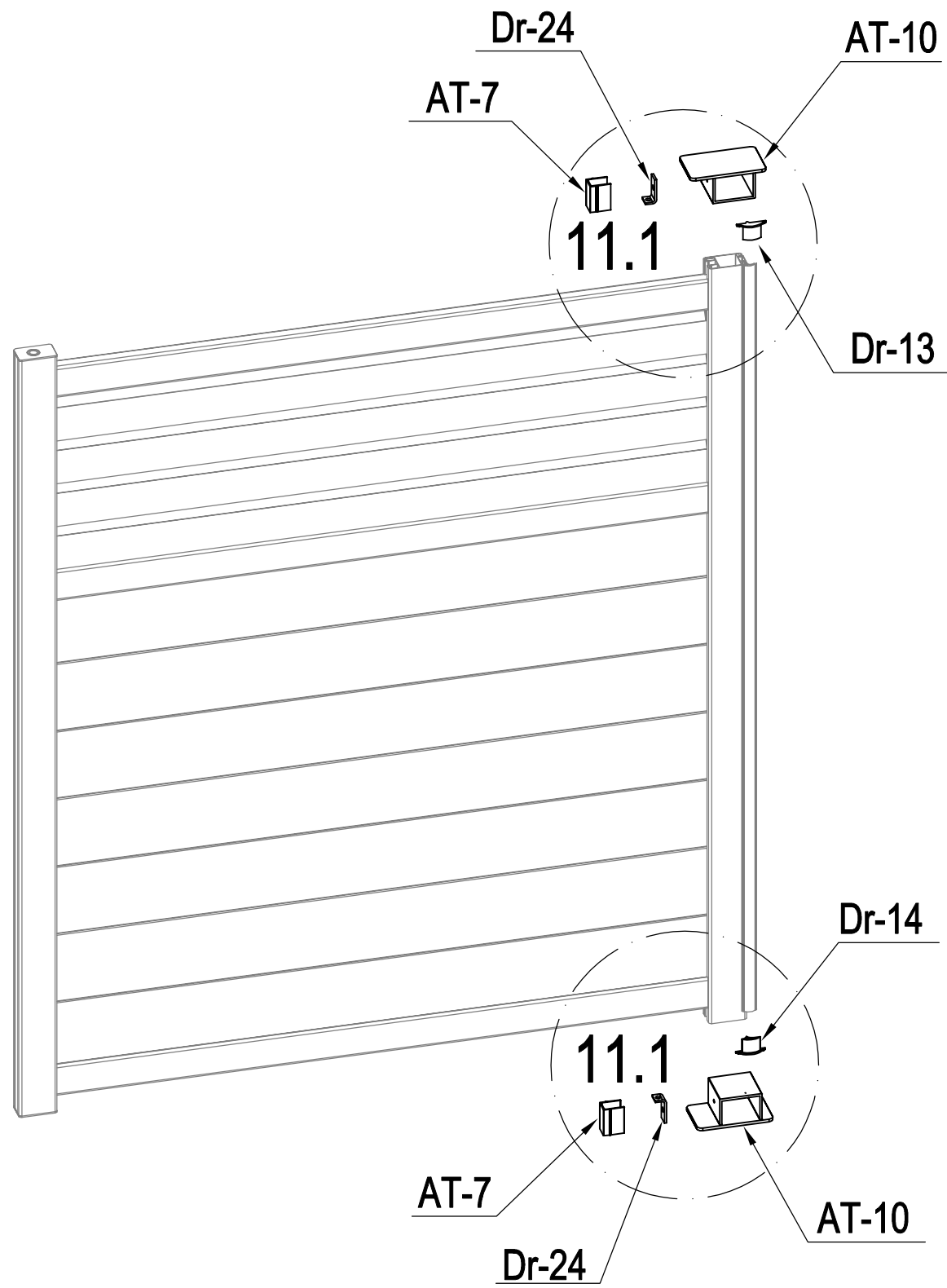


	AT-B5	1
	Dr-A5c	1
	AT-B7	1



	AT-8	1
	AT-9	1
	Dr-24	2

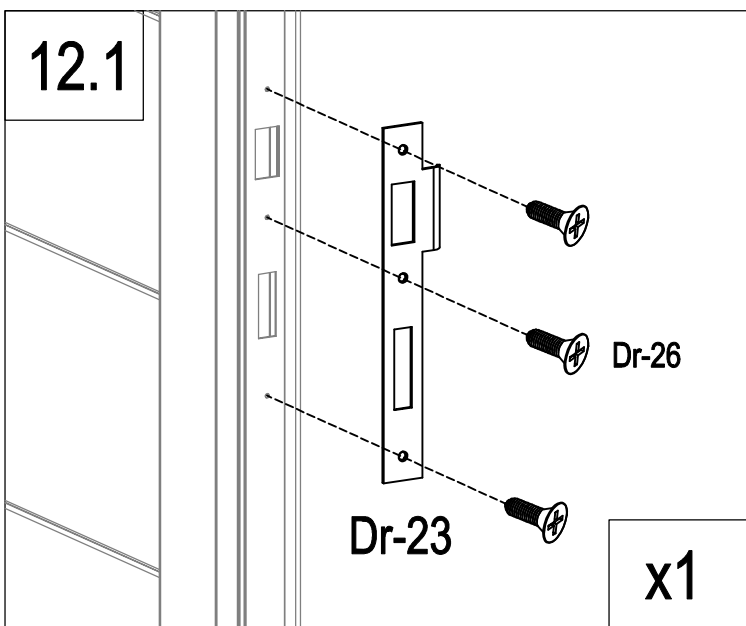
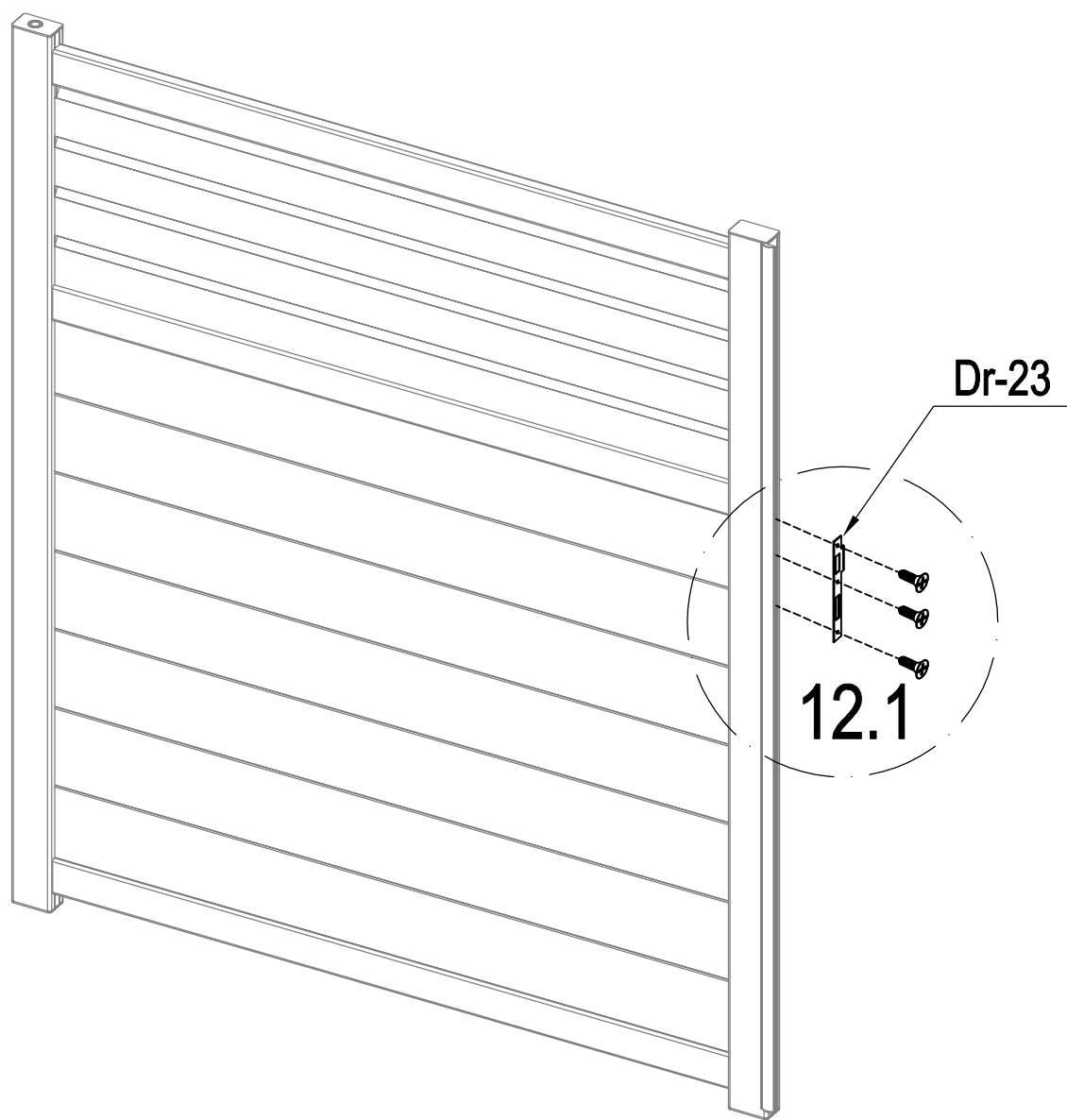
	AT-7	2
	SR-F30	2
	SR-F31	2



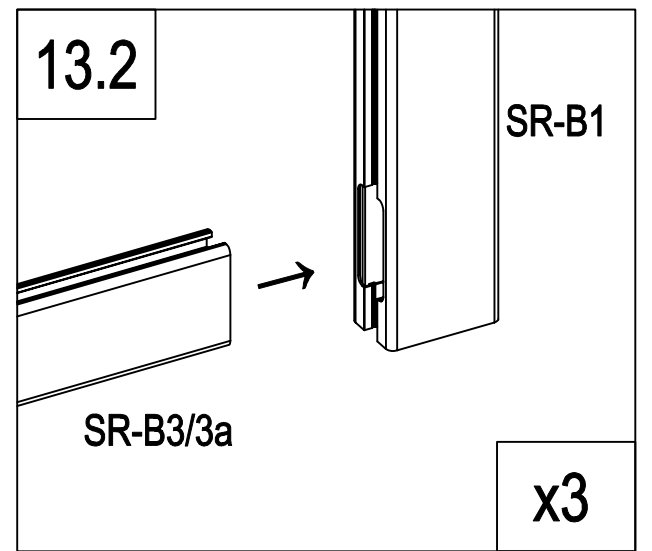
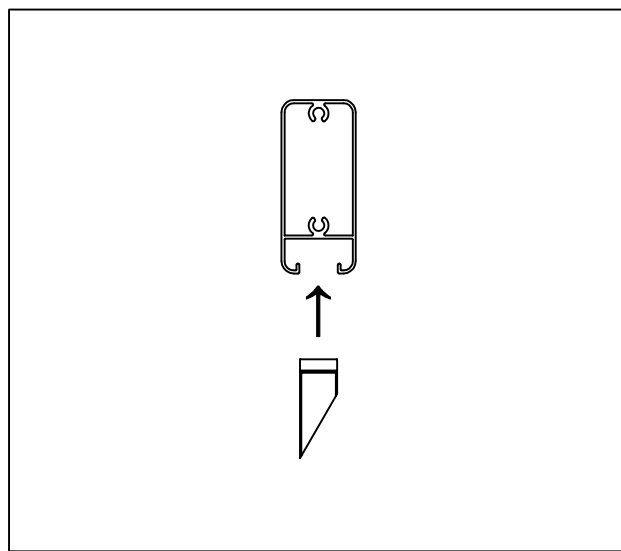
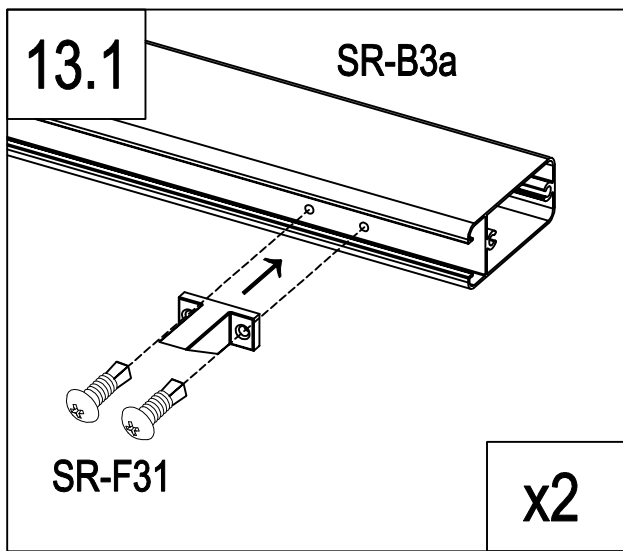
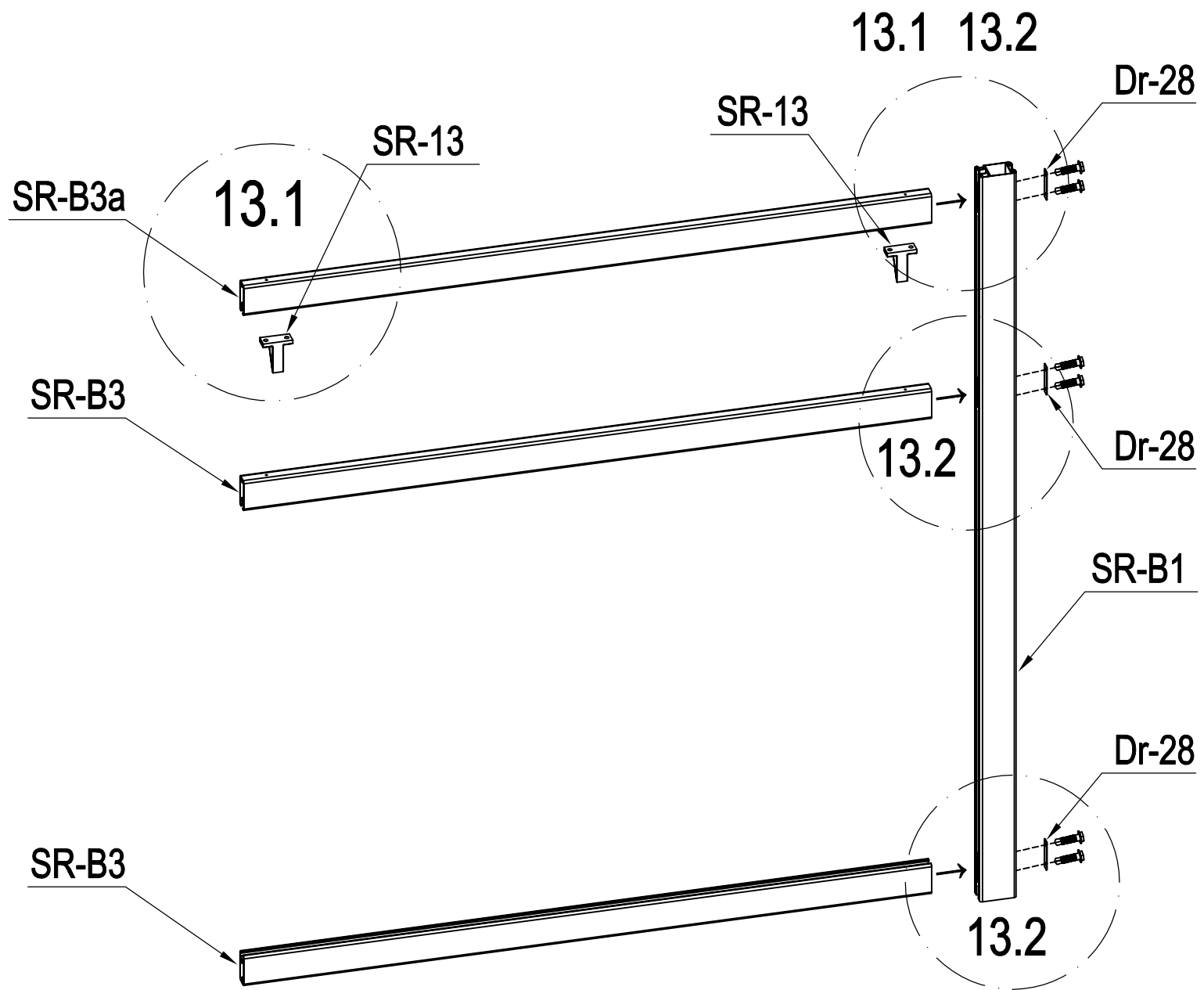
	AT-10	2
	Dr-24	2
	AT-7	2
	Dr-13	1

	Dr-14	1
	SR-F30	2
	SR-F31	2

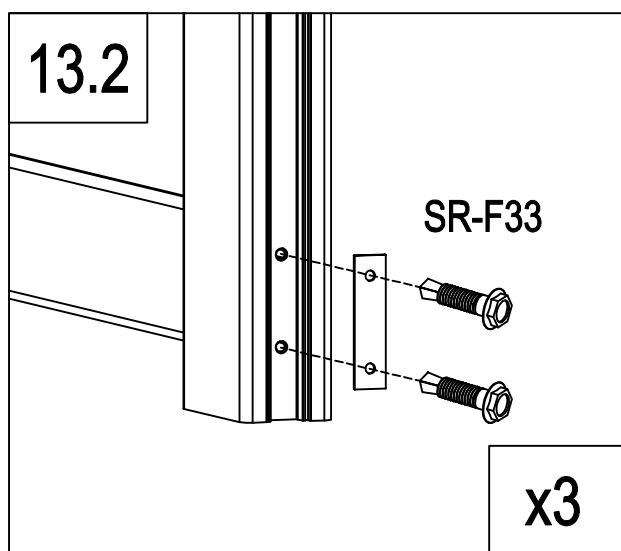




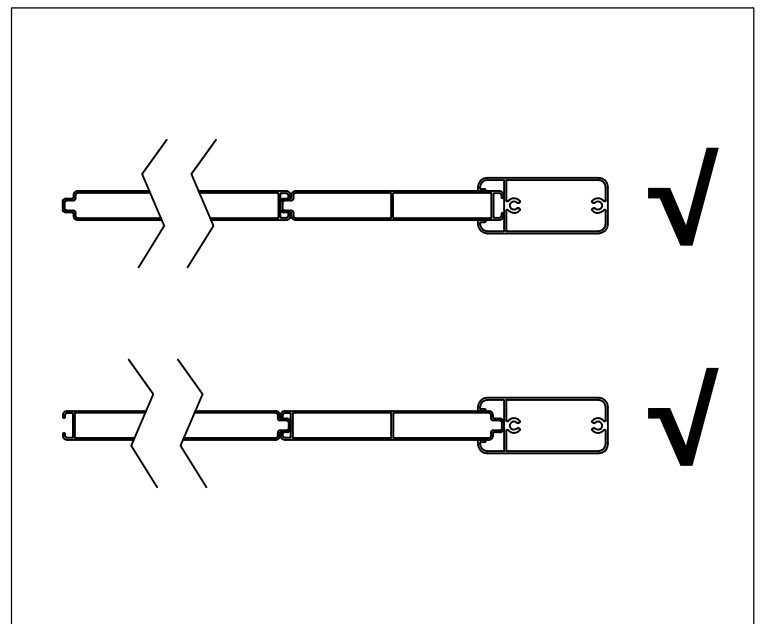
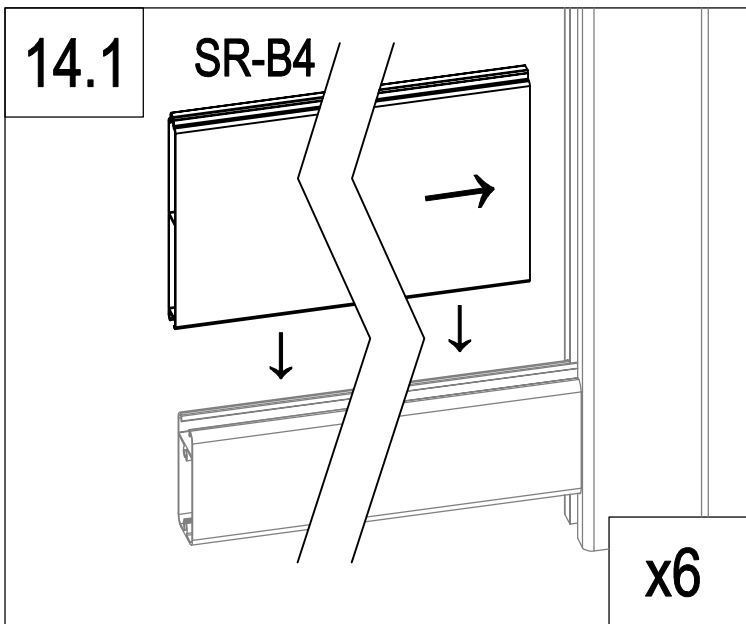
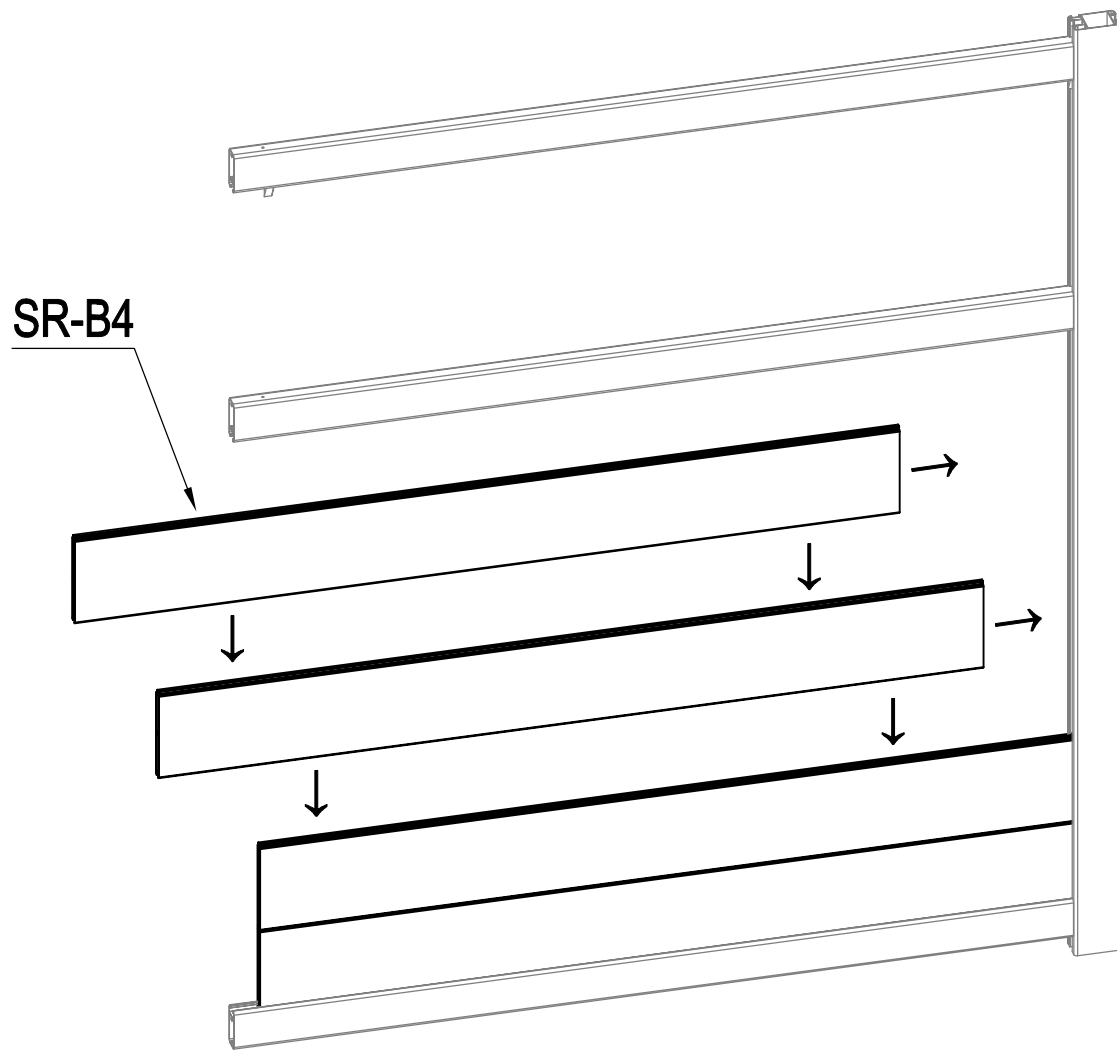
	Dr-23	1
	Dr-26	3



	SR-B1	1
	SR-B3	2
	SR-B3a	1
	SR-13	2

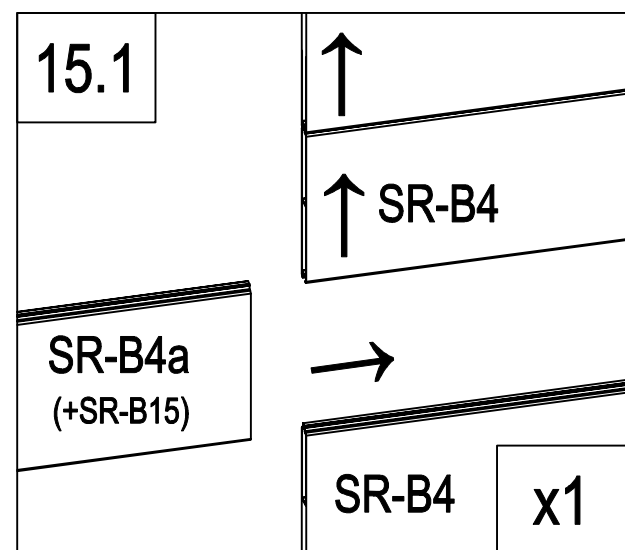
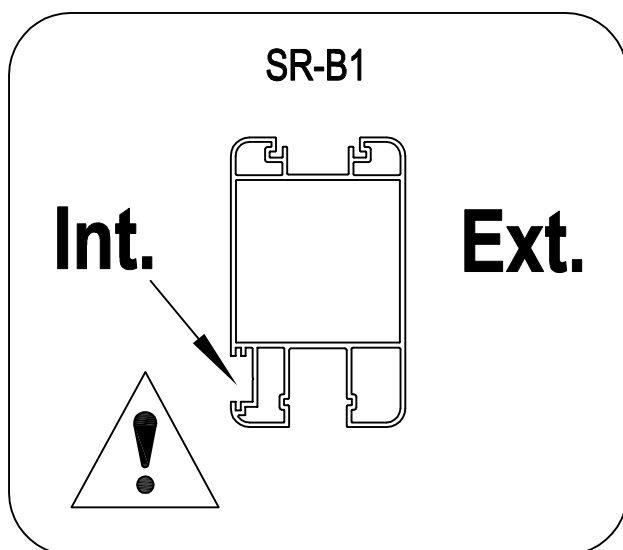
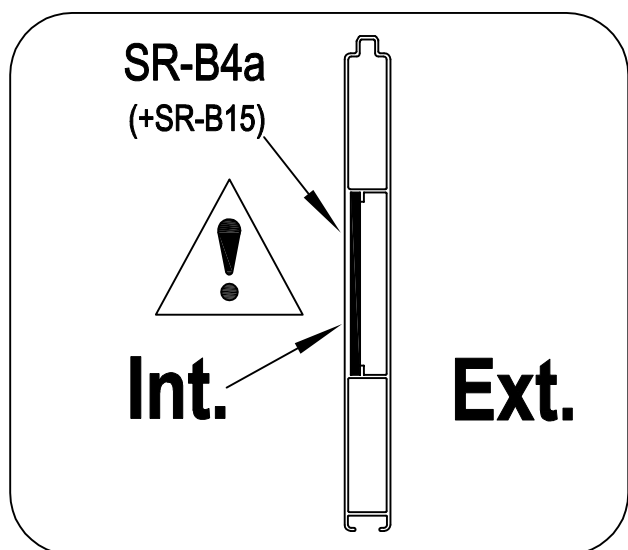
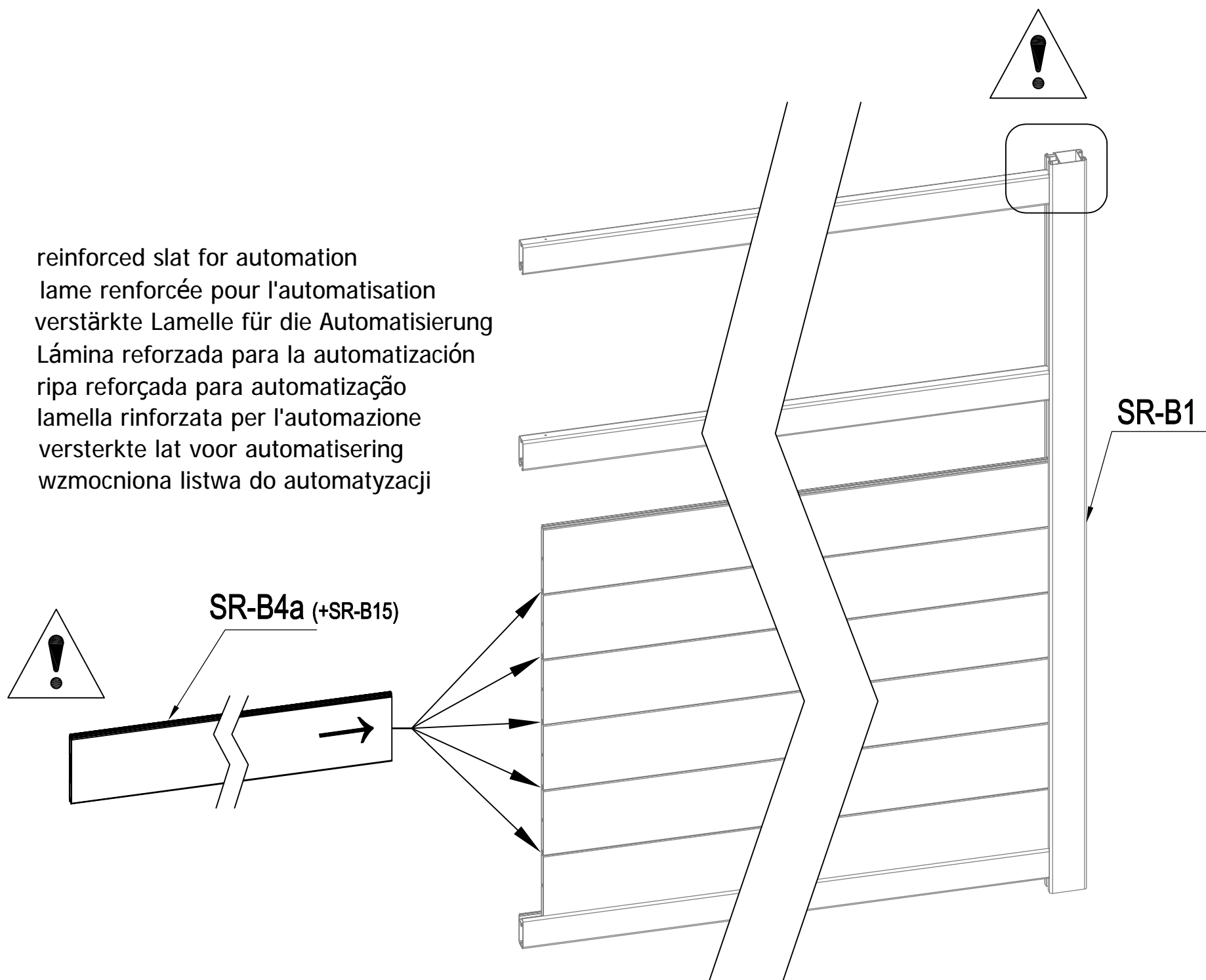



	Dr-28	3
	SR-F31	4
	SR-F33	6



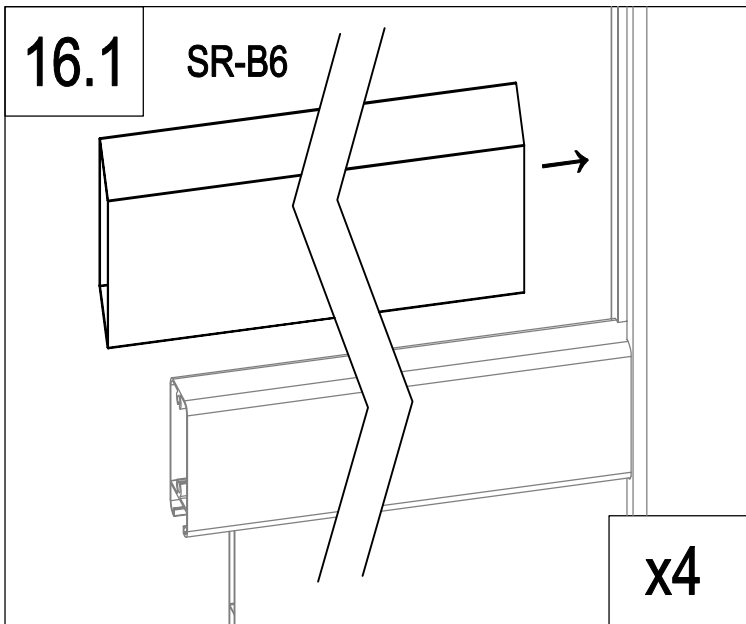
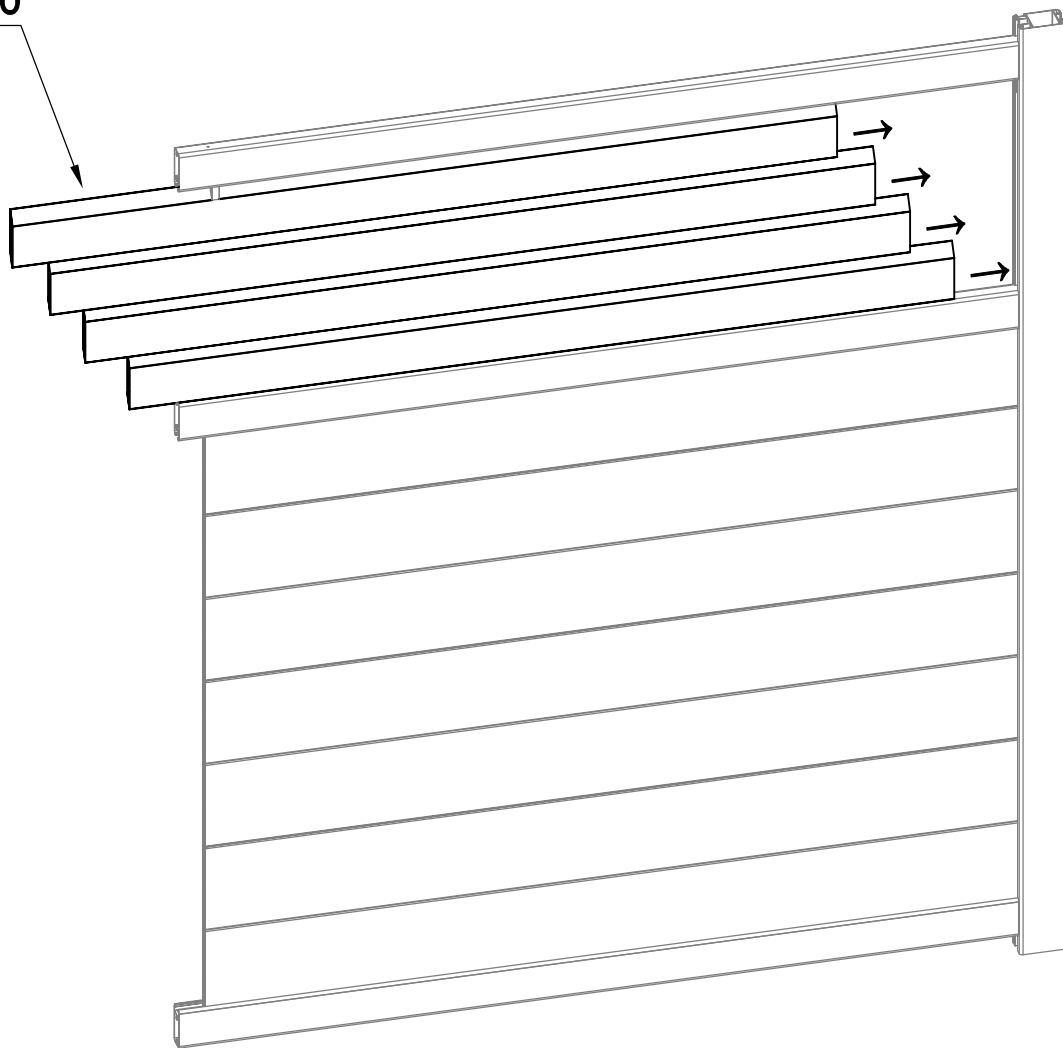
	SR-B4	6
---	-------	---

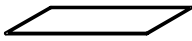
- EN: reinforced slat for automation
- FR: lame renforcée pour l'automatisation
- DE: verstärkte Lamelle für die Automatisierung
- ES: Lámina reforzada para la automatización
- PT: ripa reforçada para automatização
- IT: lamella rinforzata per l'automazione
- NL: versterkte lat voor automatisering
- PL: wzmocniona listwa do automatyzacji

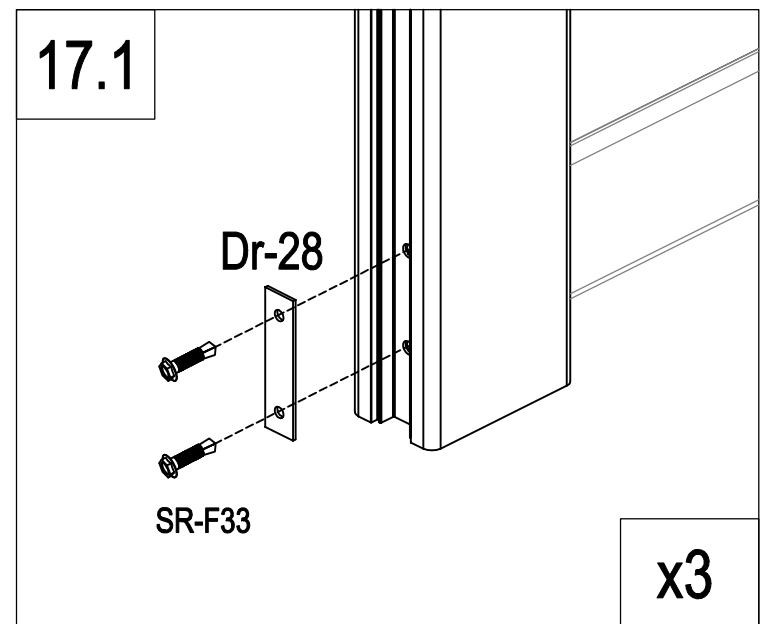
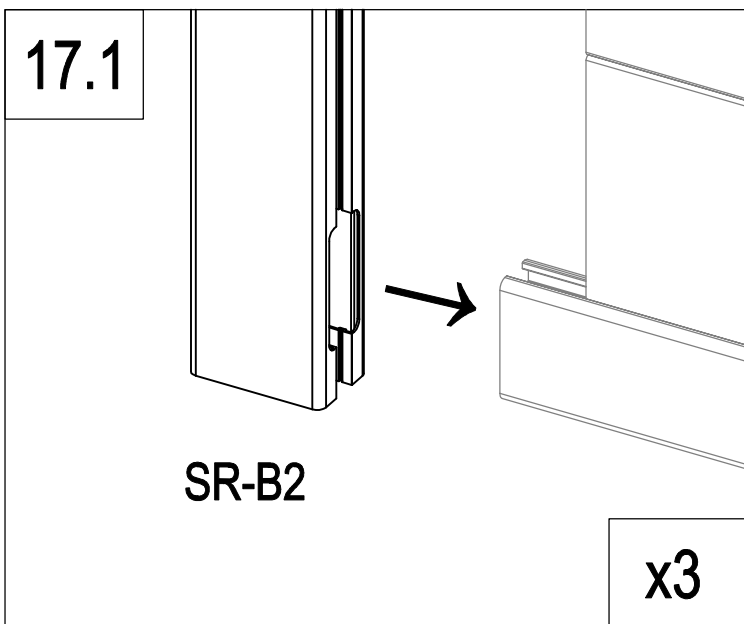
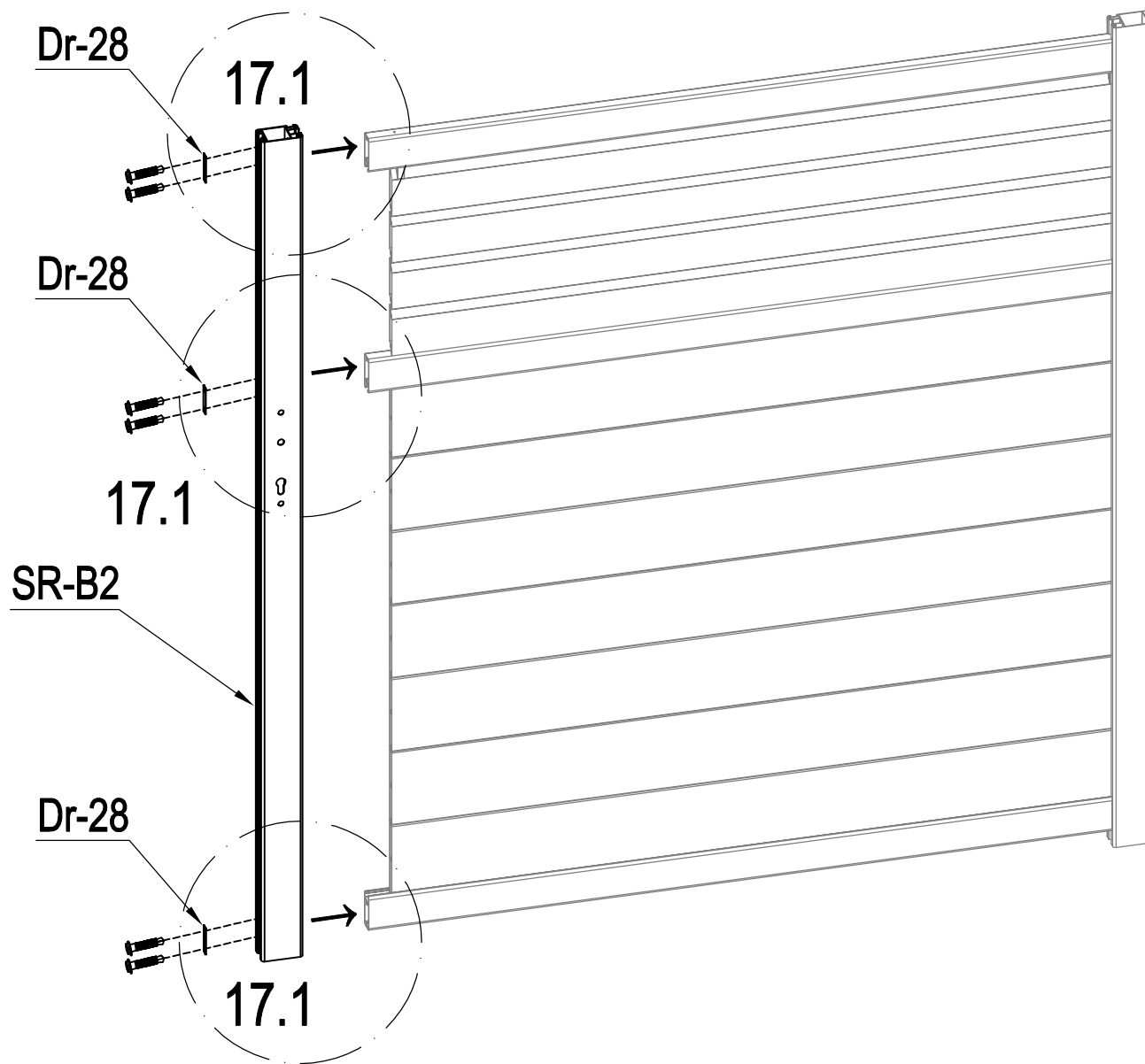


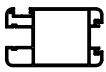


	SR-B4a (+SR-B15)	1
---	------------------	---

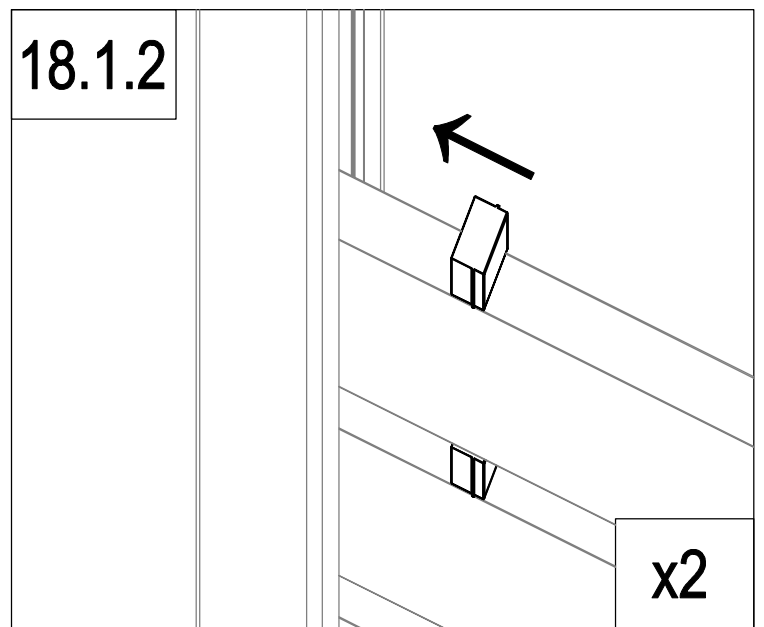
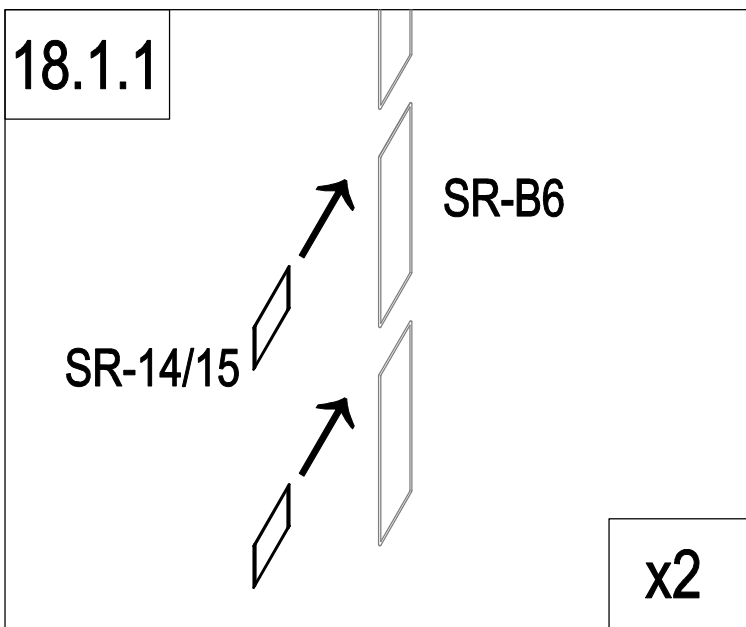
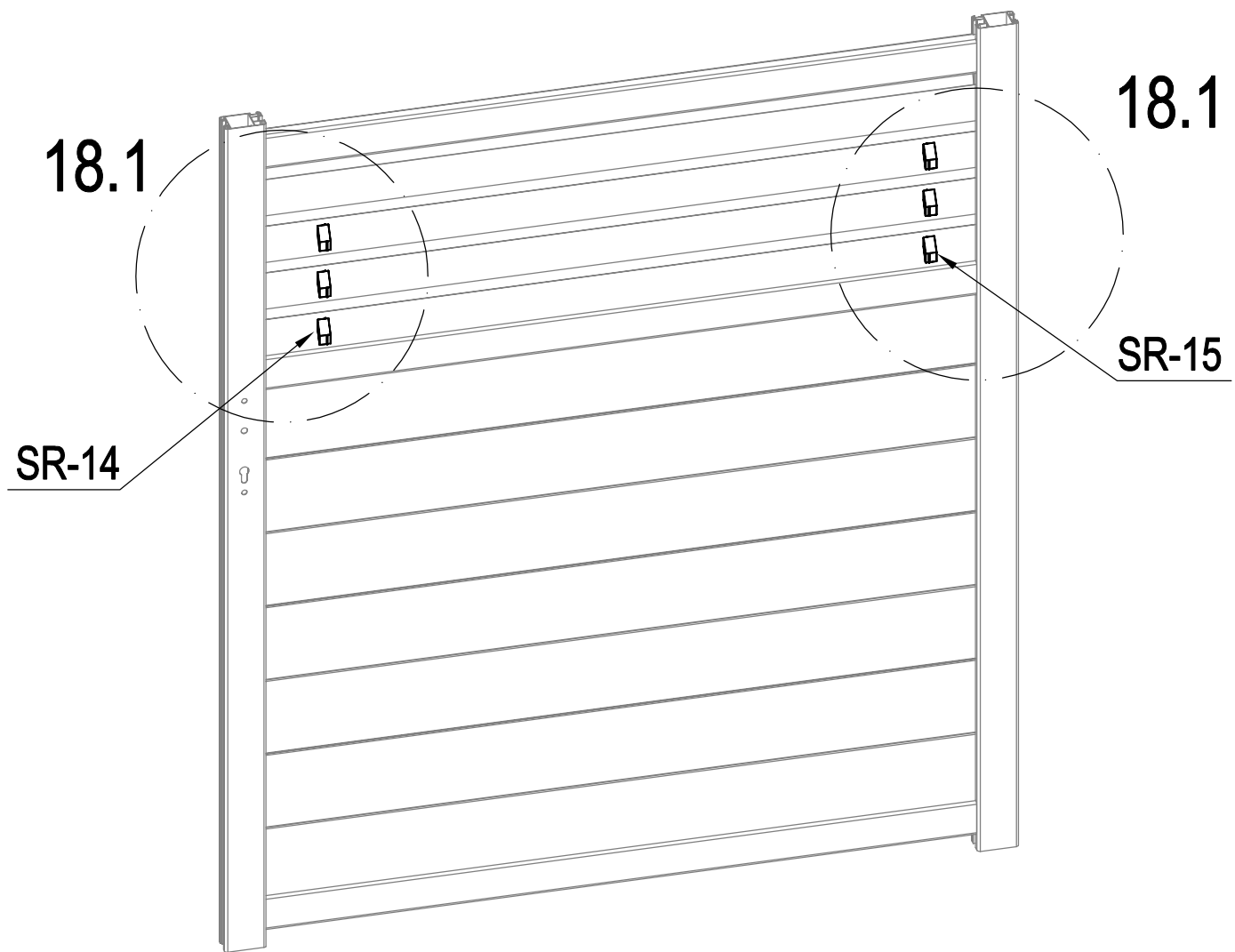
SR-B6





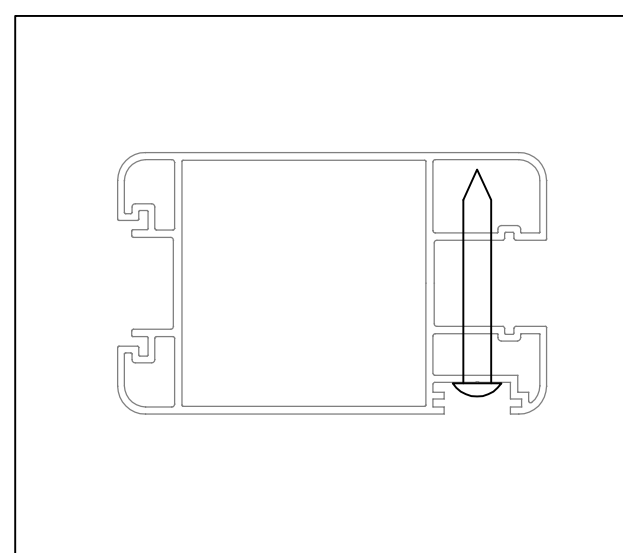
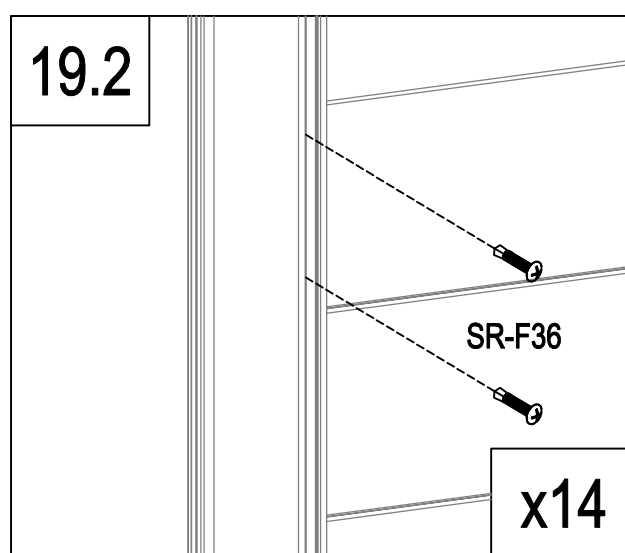
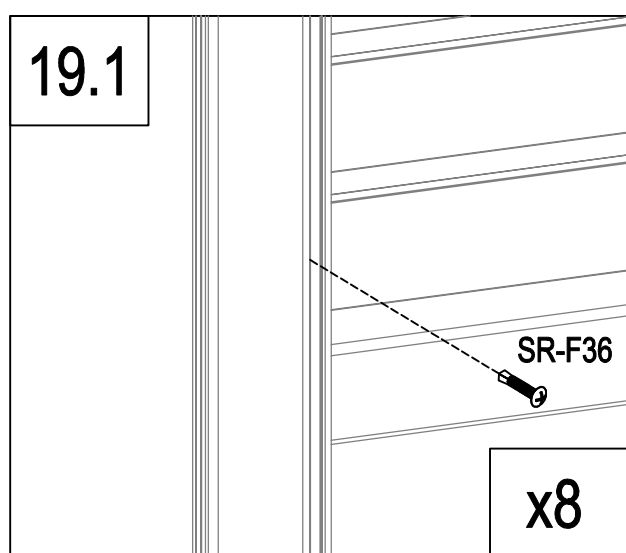
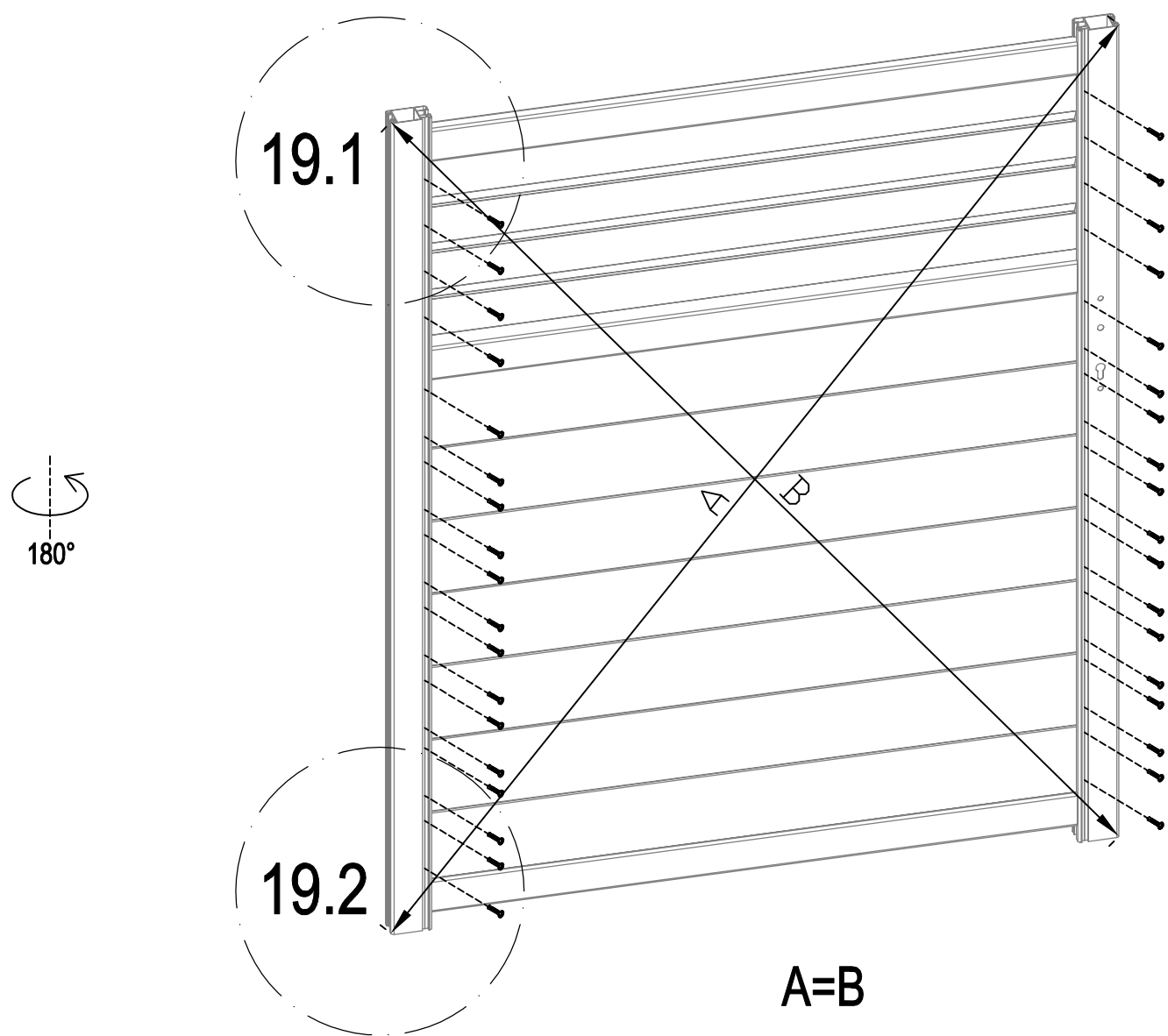
	SR-B6	4
---	-------	---



	SR-B2	1
	Dr-28	3
	SR-F33	6

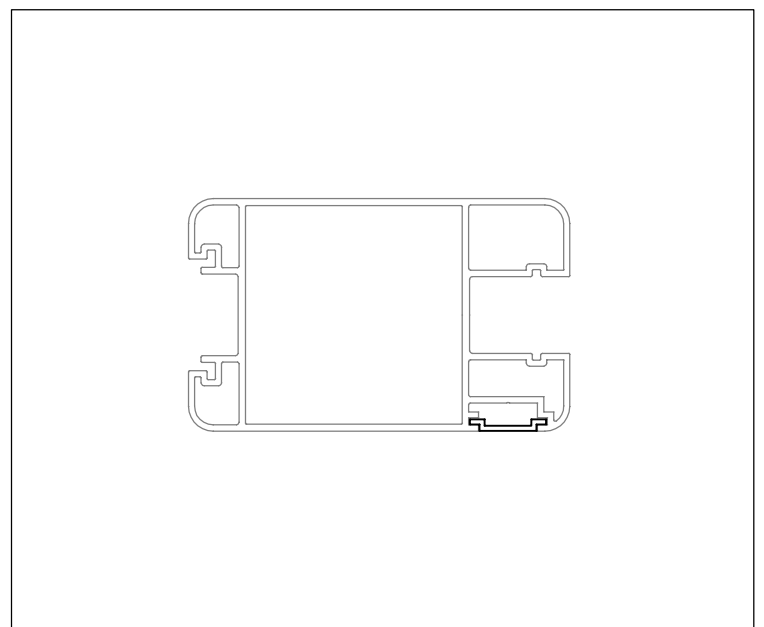
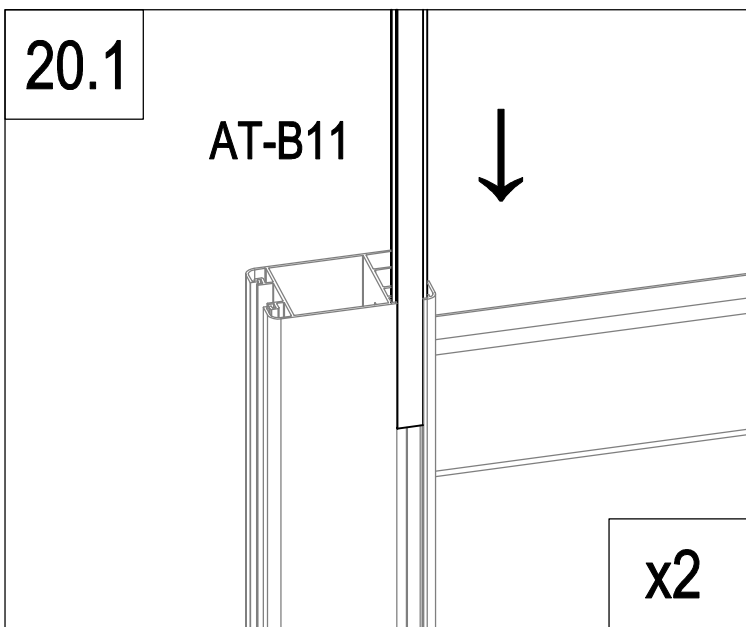
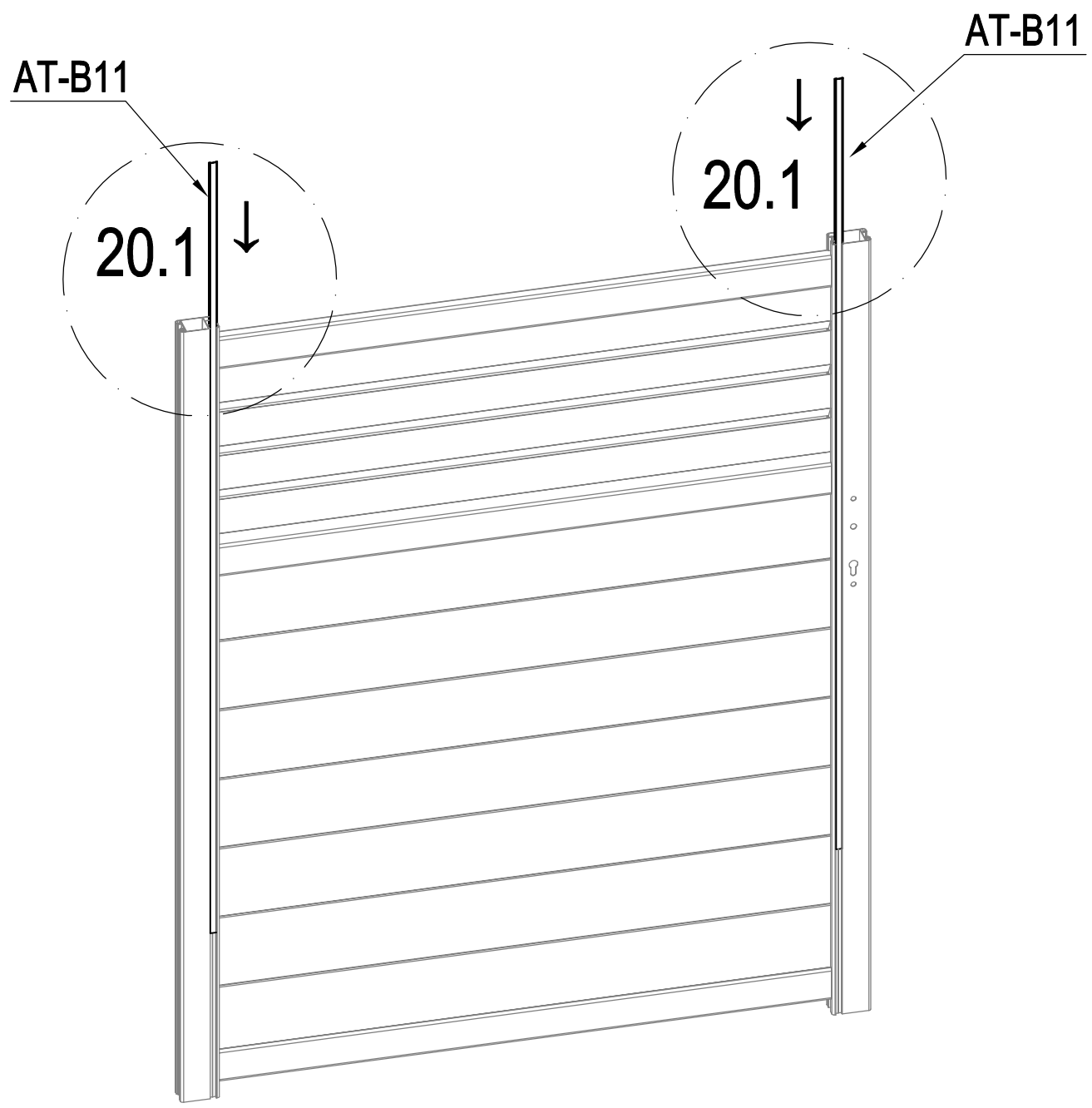


	SR-14	3
	SR-15	3

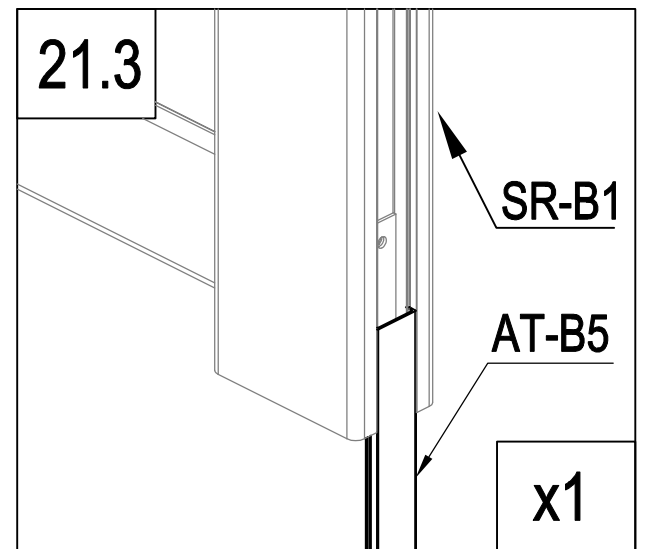
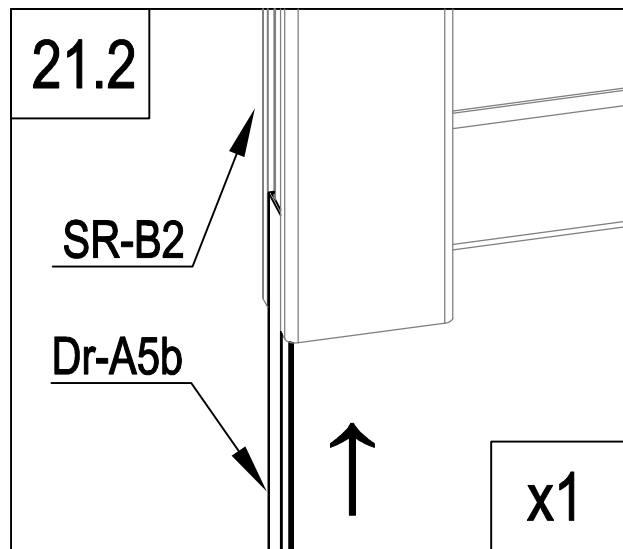
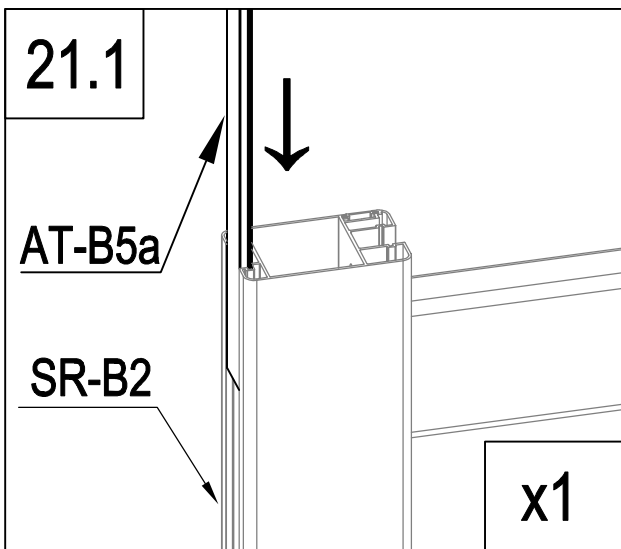
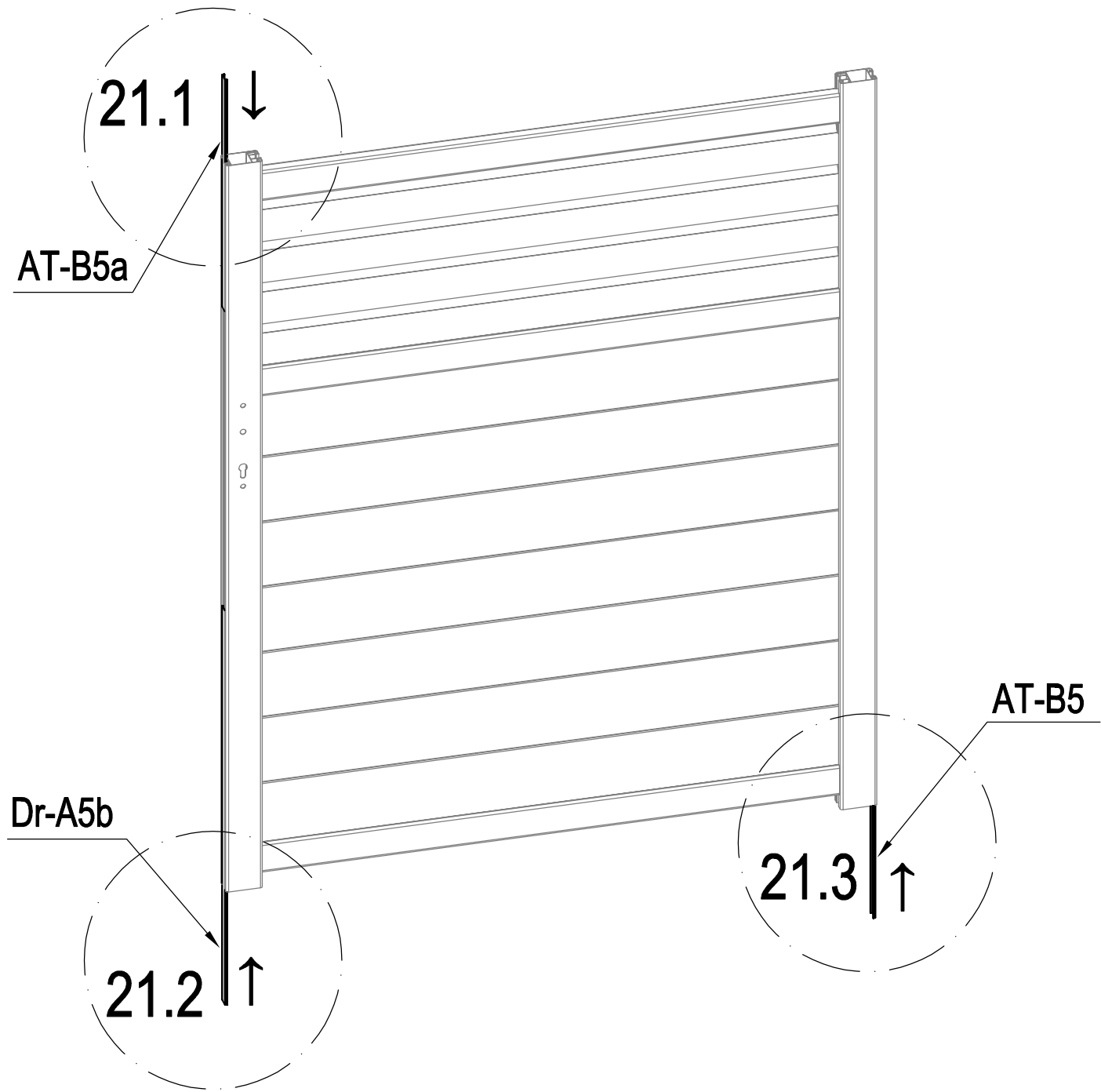
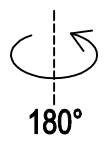


	SR-F36	36
---	--------	----

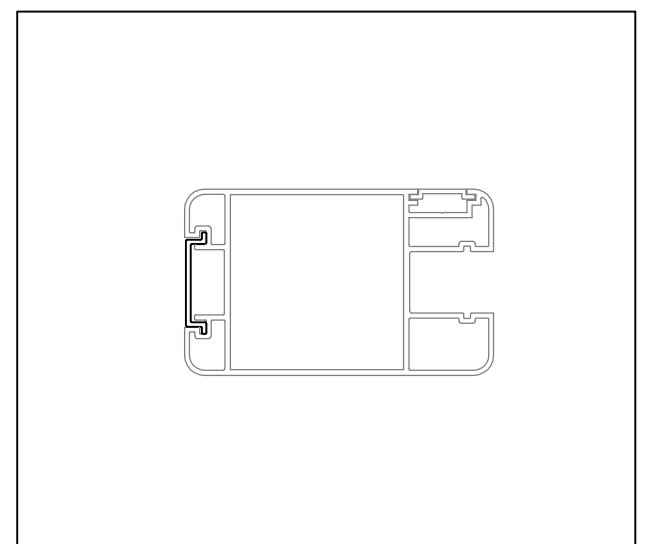


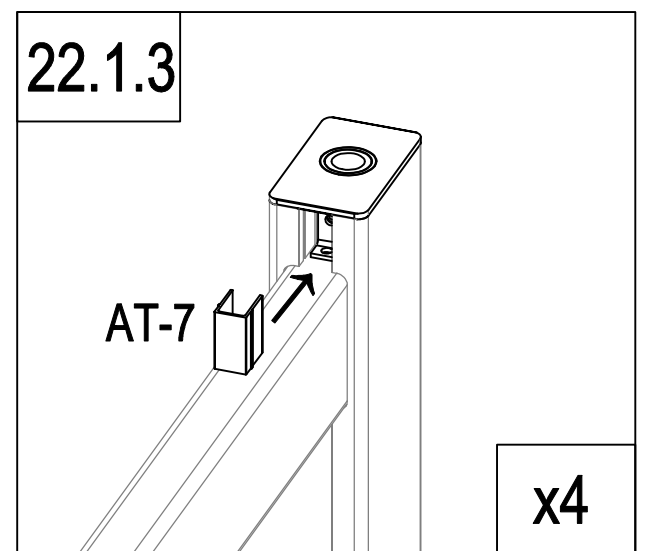
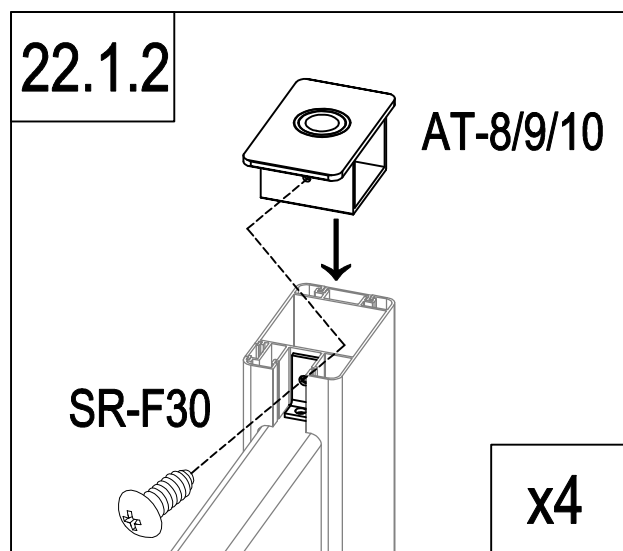
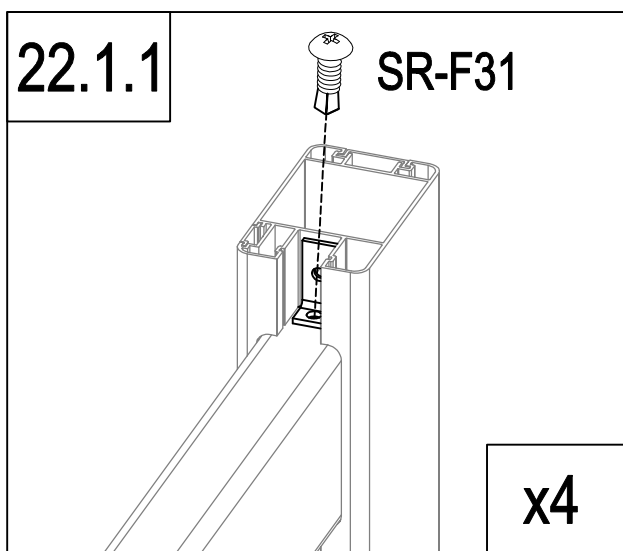
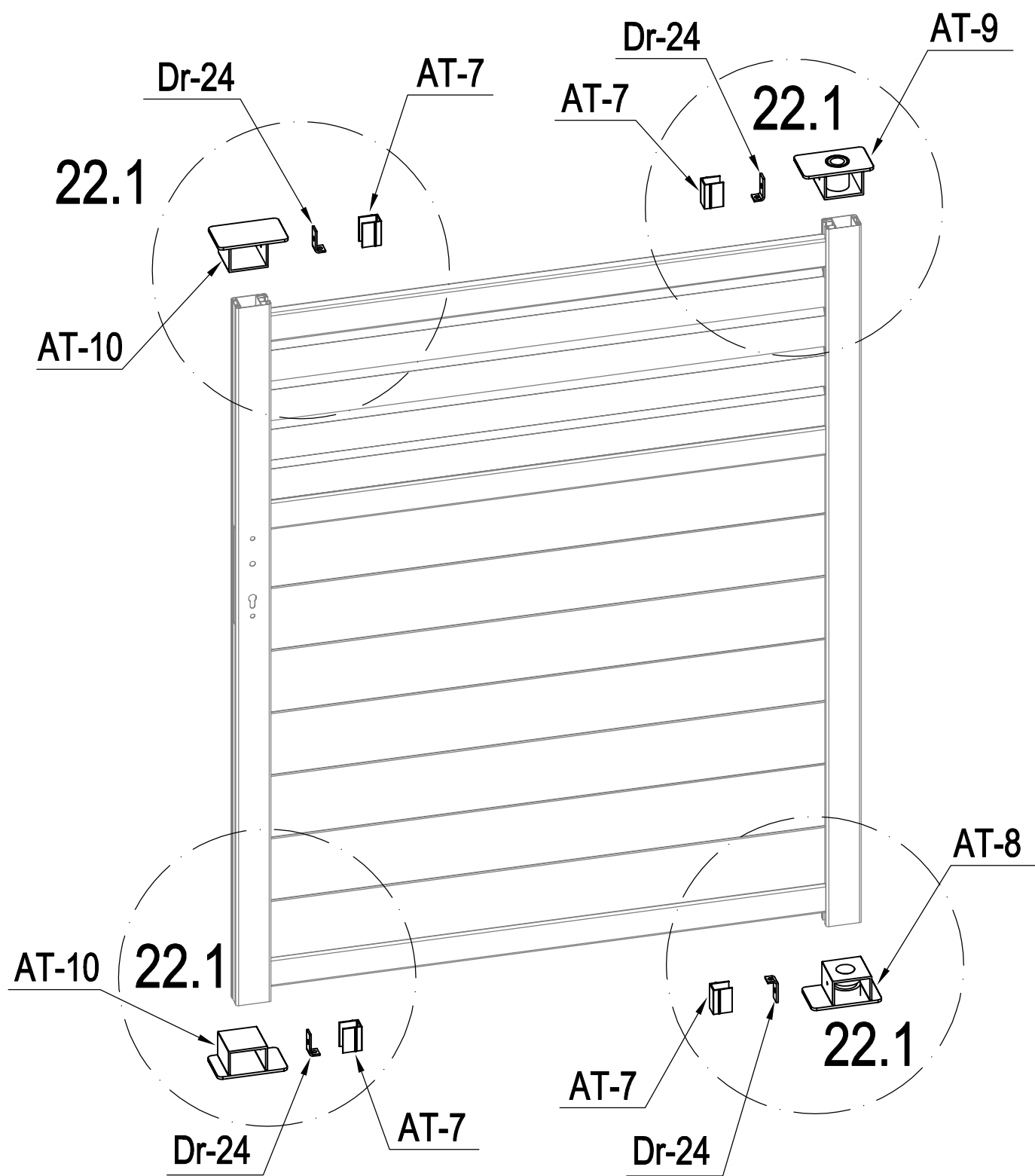


	AT-B11	2
---	--------	---



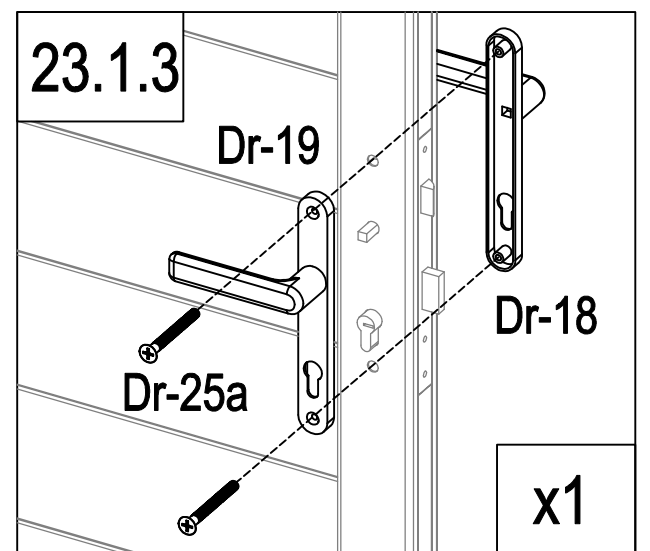
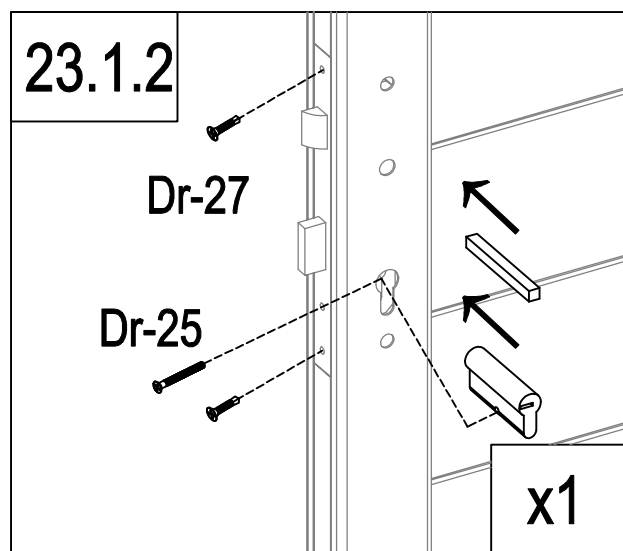
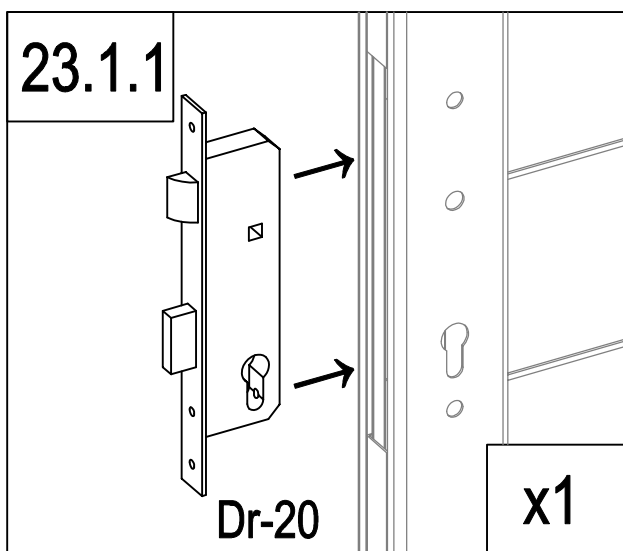
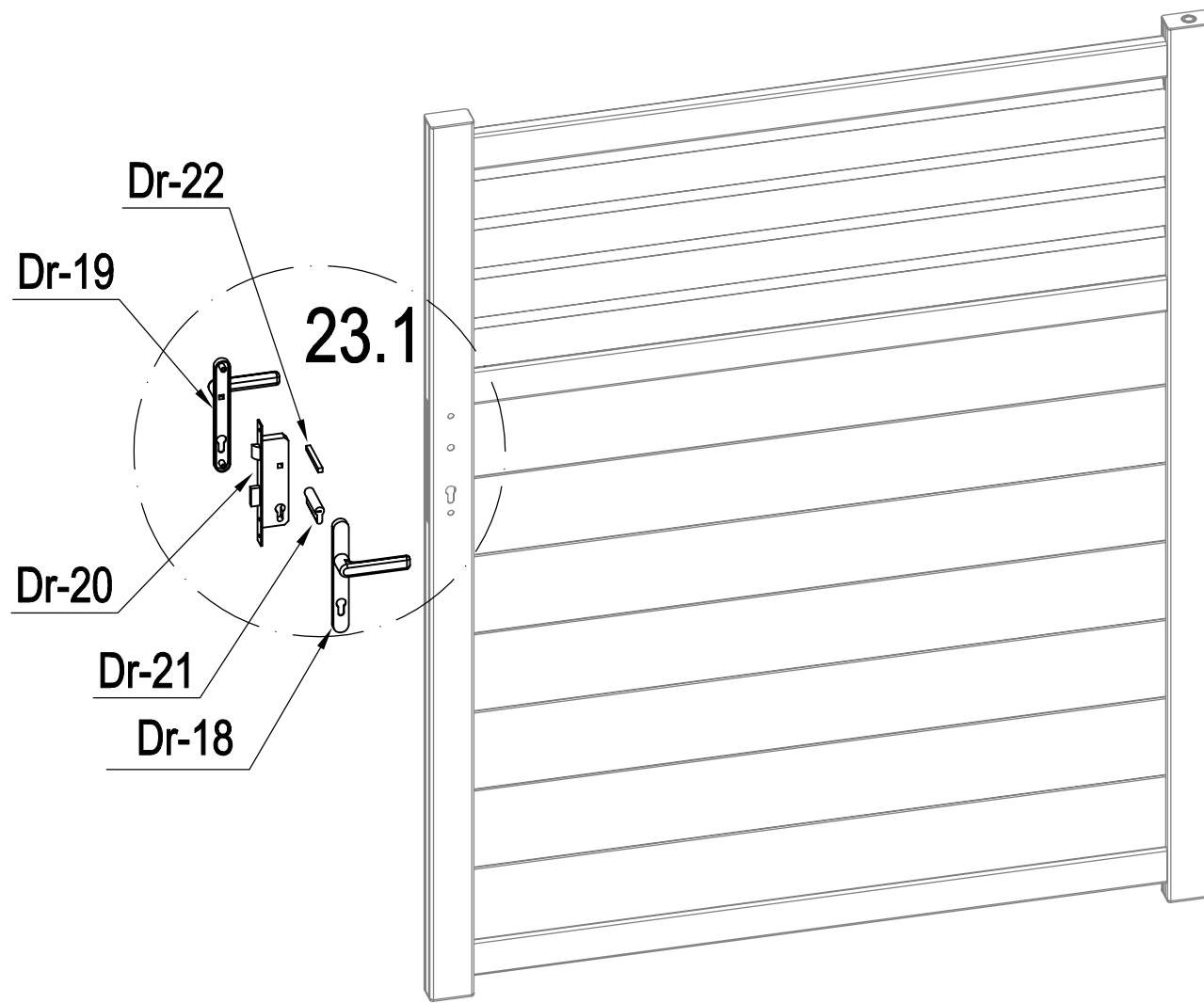
	AT-B5	1
	AT-B5a	1
	Dr-A5b	1





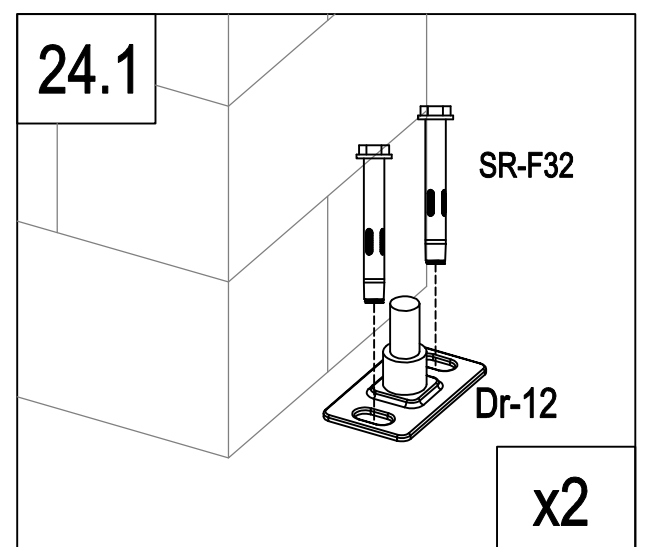
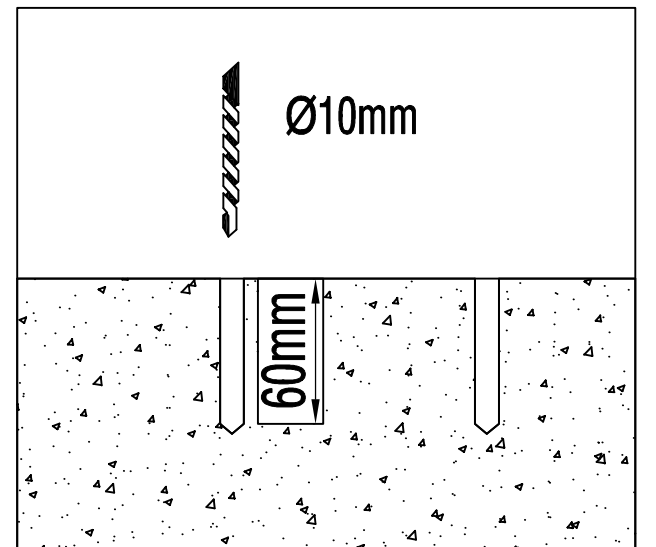
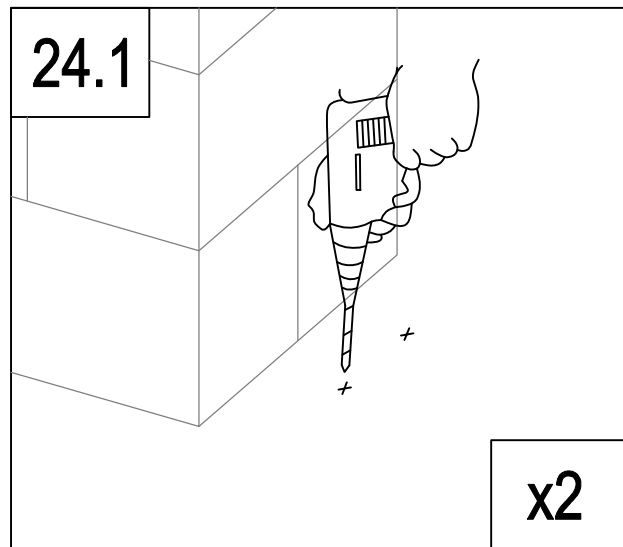
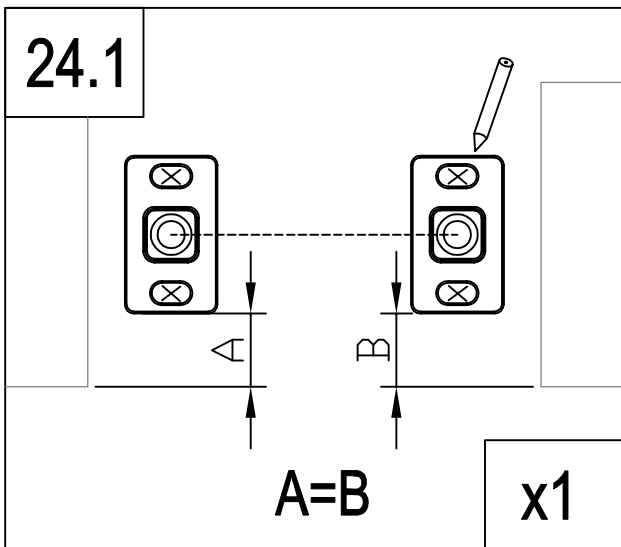
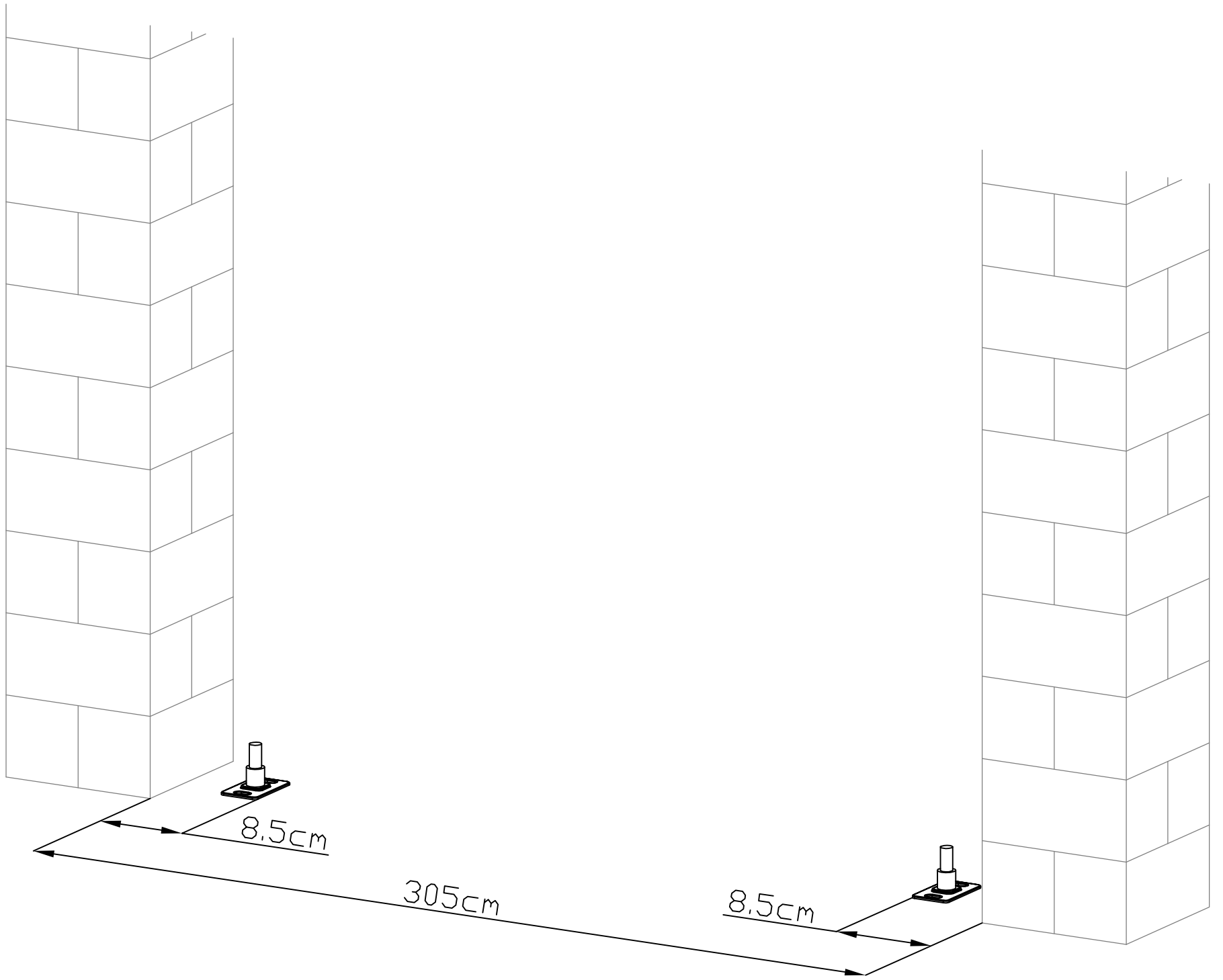
	AT-8	1
	AT-9	1
	AT-10	2
	Dr-24	4

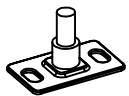

	AT-7	4
	SR-F30	4
	SR-F31	4

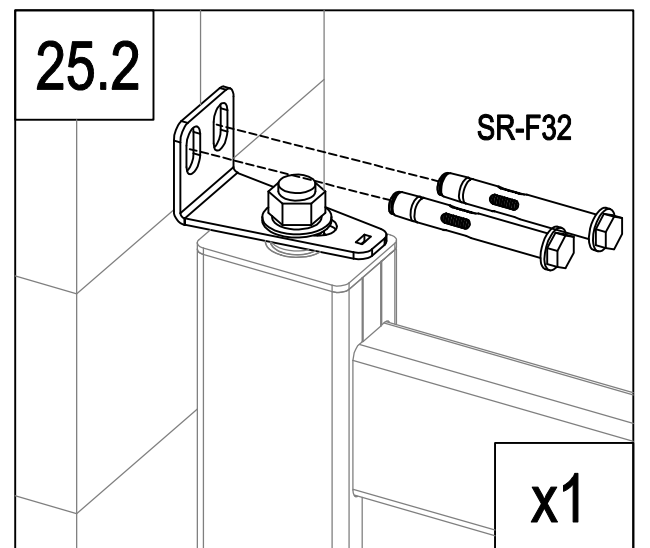
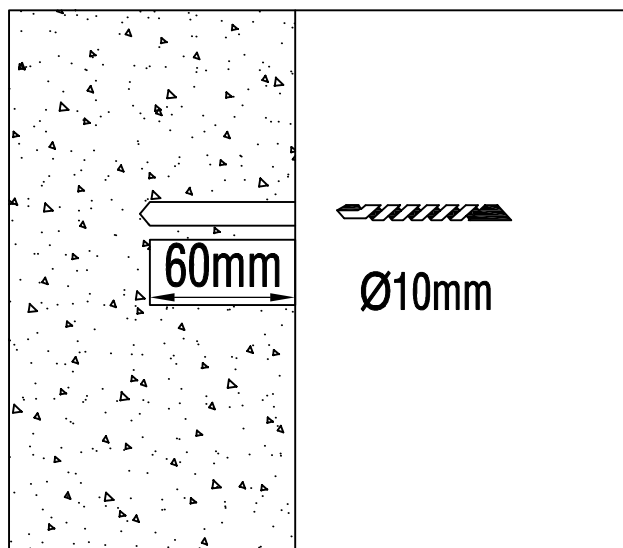
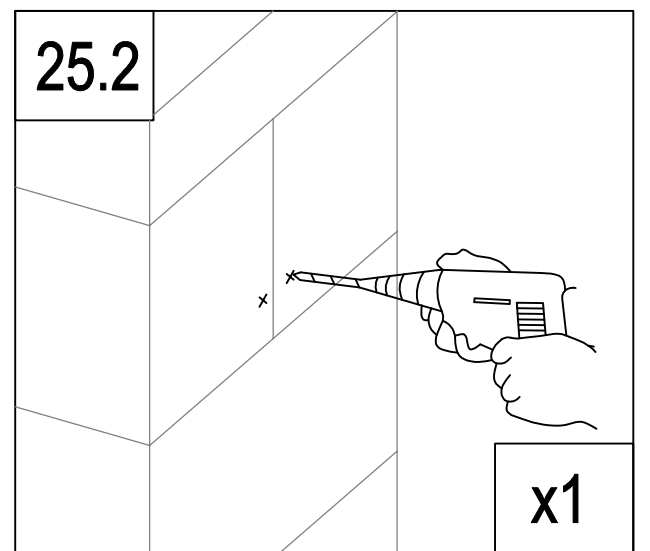
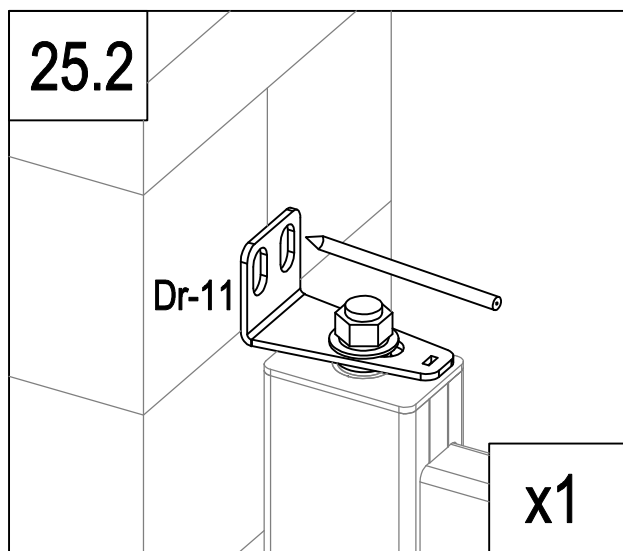
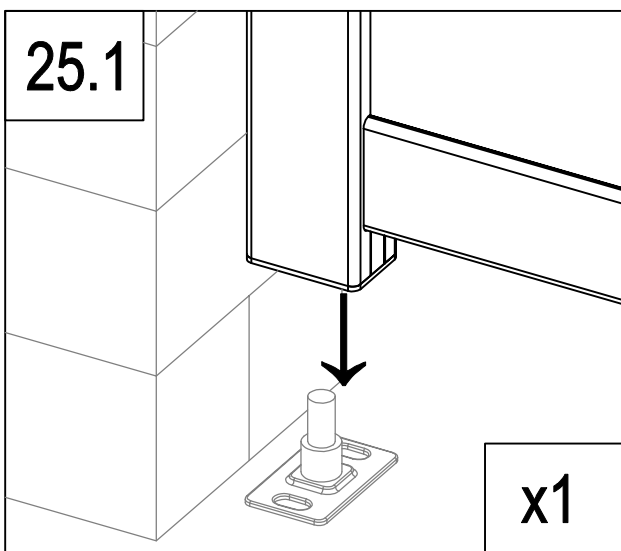
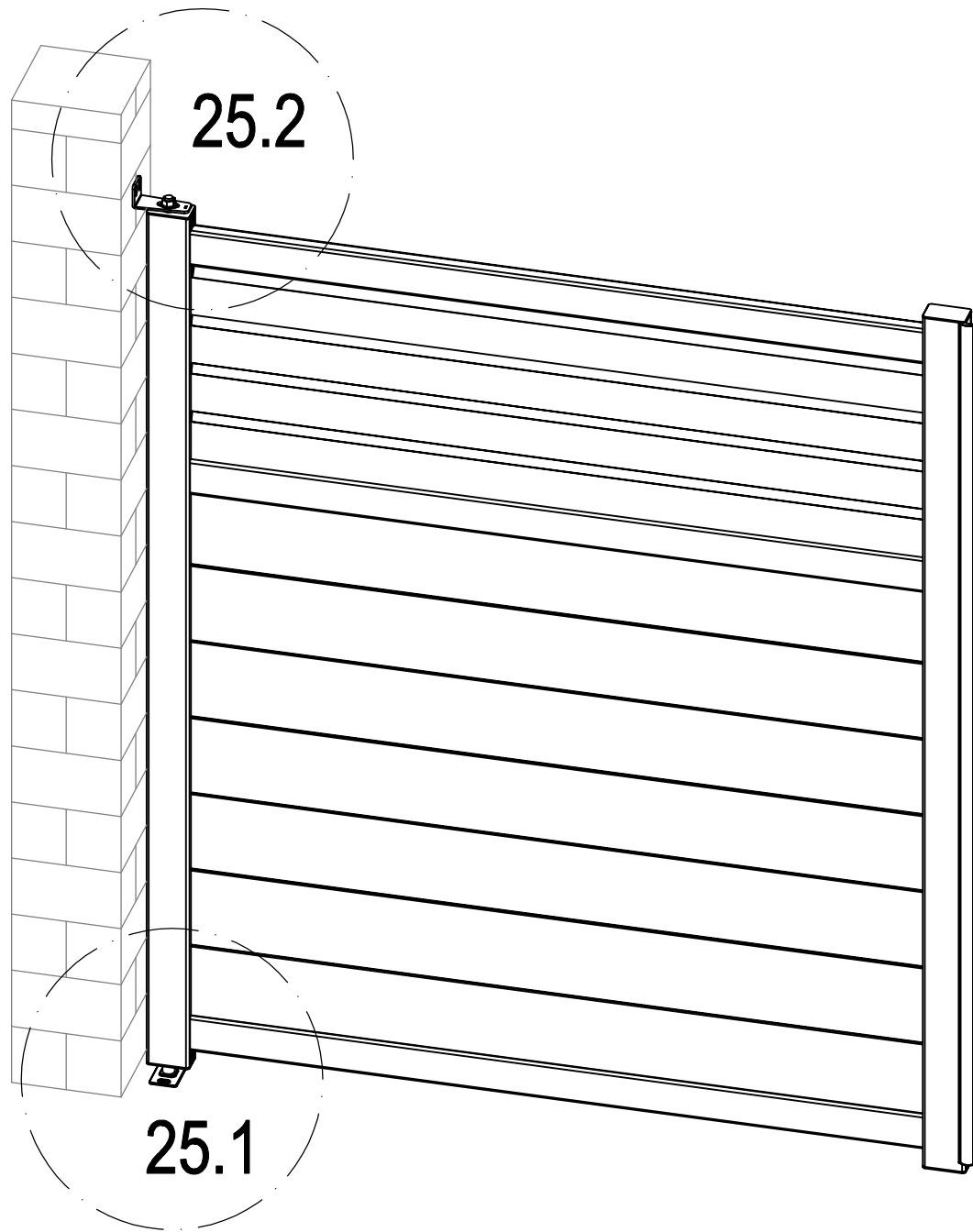


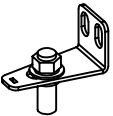

	Dr-20	1
	Dr-21	1
	Dr-22	1
	Dr-25	1

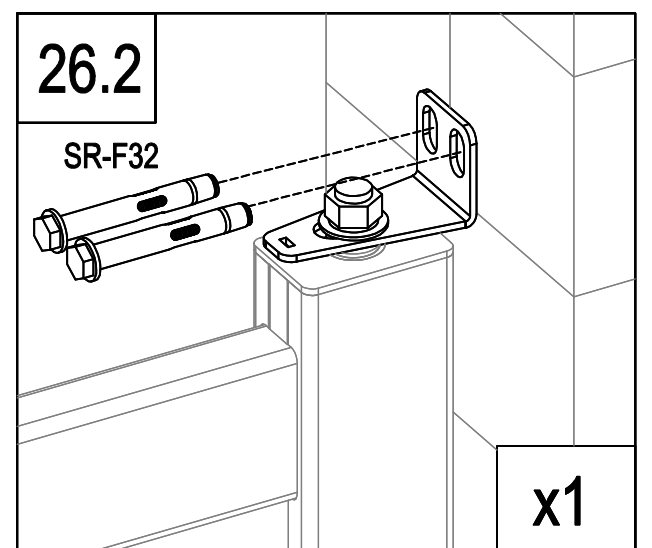
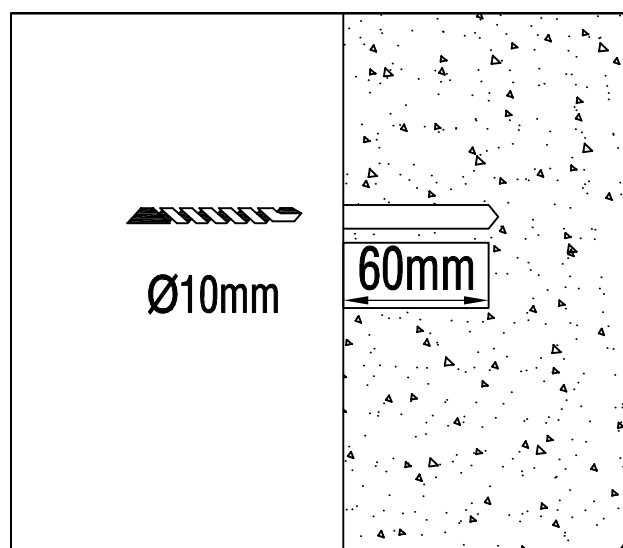
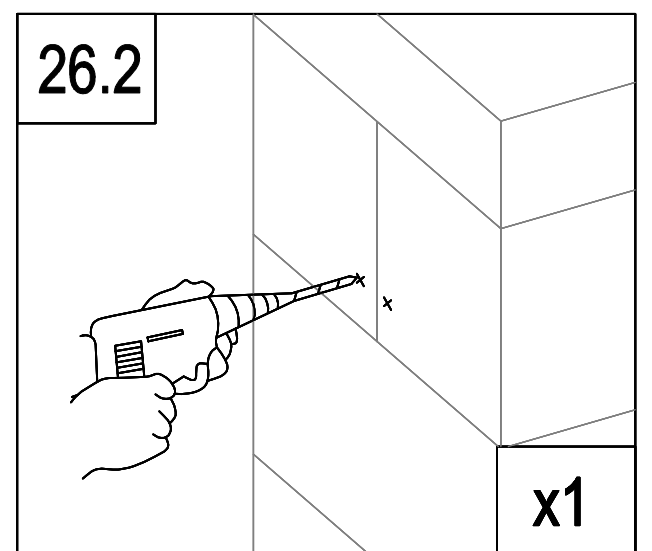
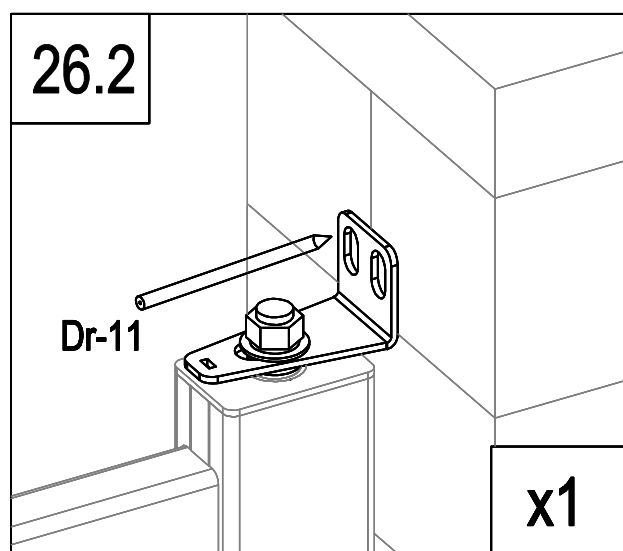
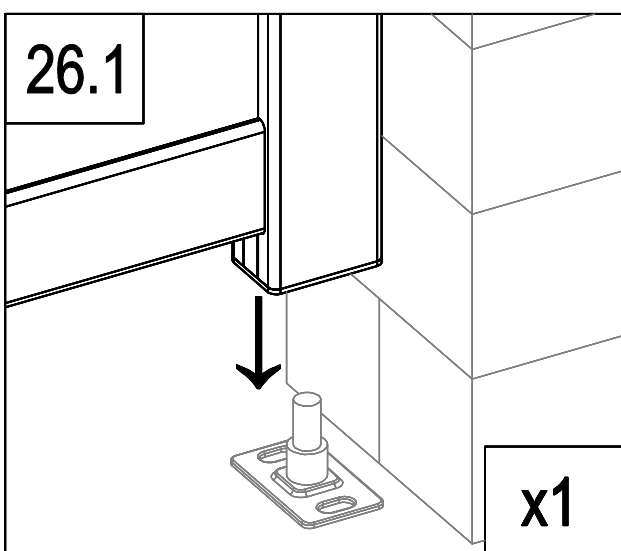
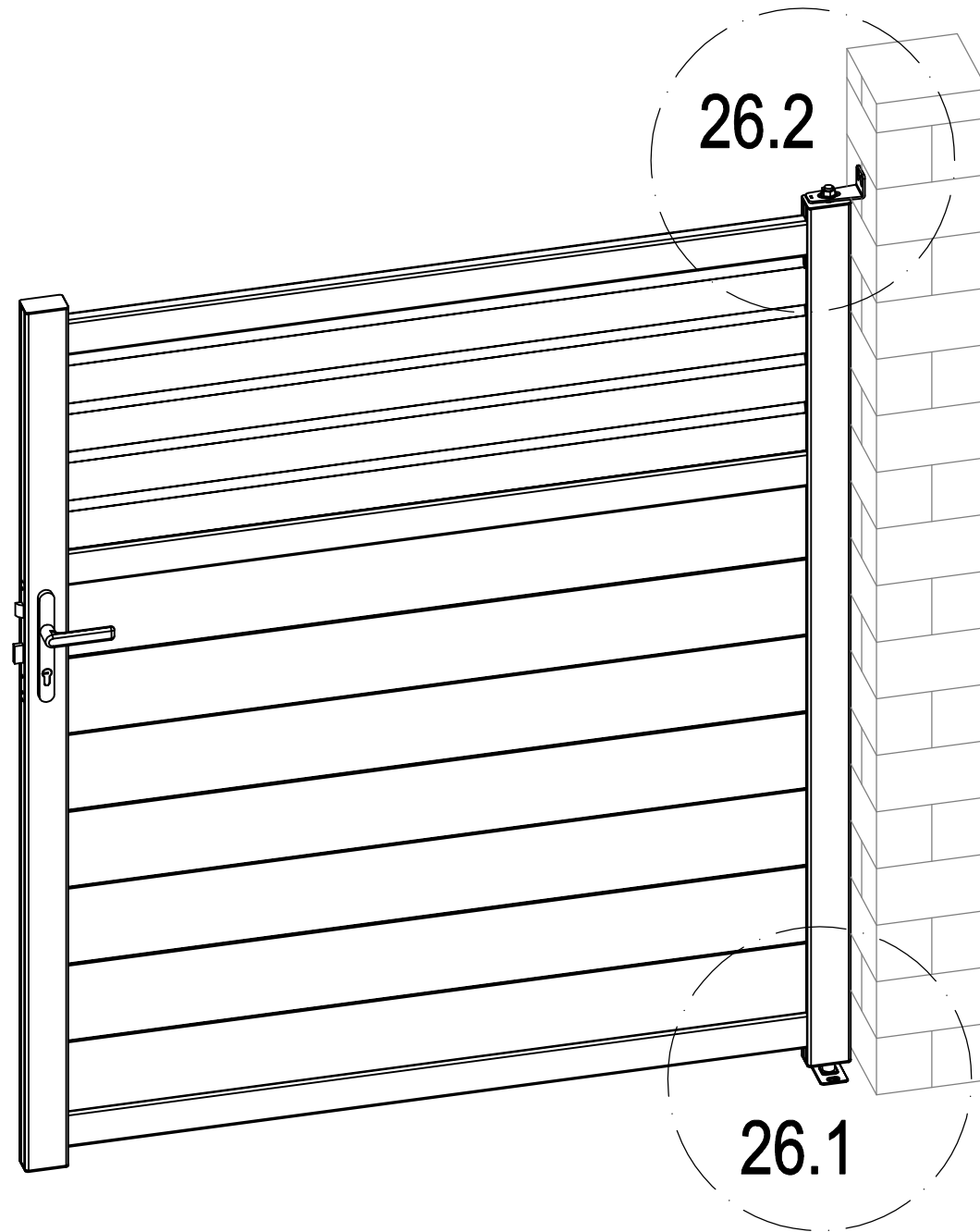
	Dr-18	1
	Dr-19	1
	Dr-25a	2
	Dr-27	2

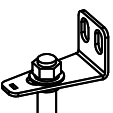



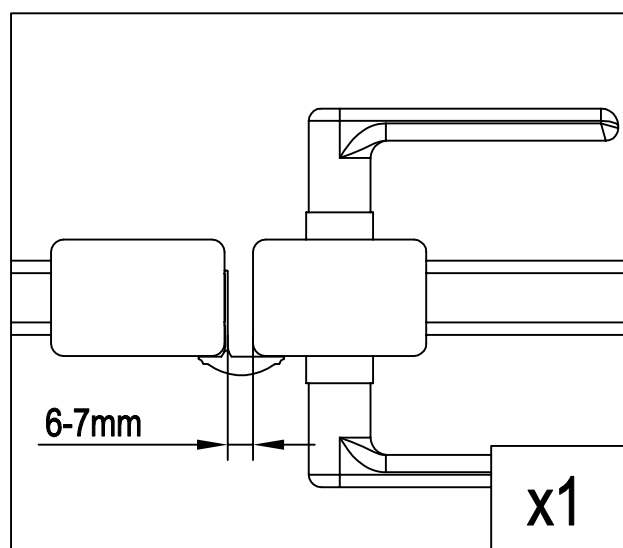
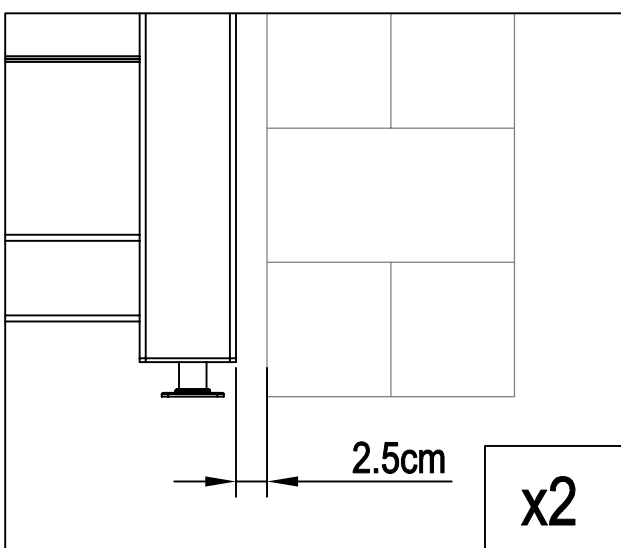
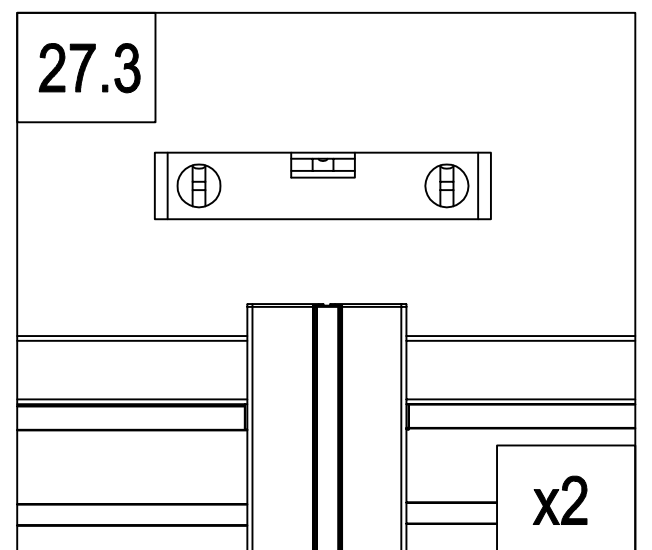
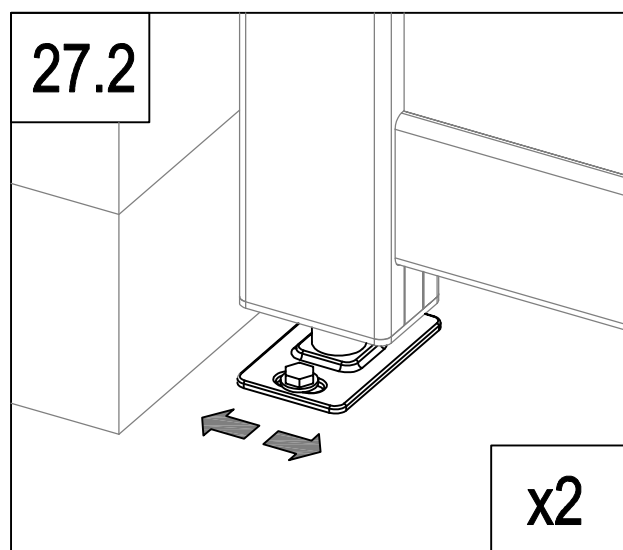
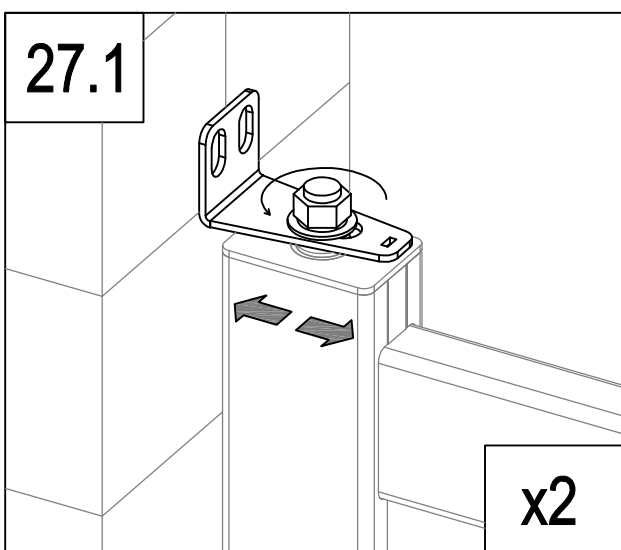
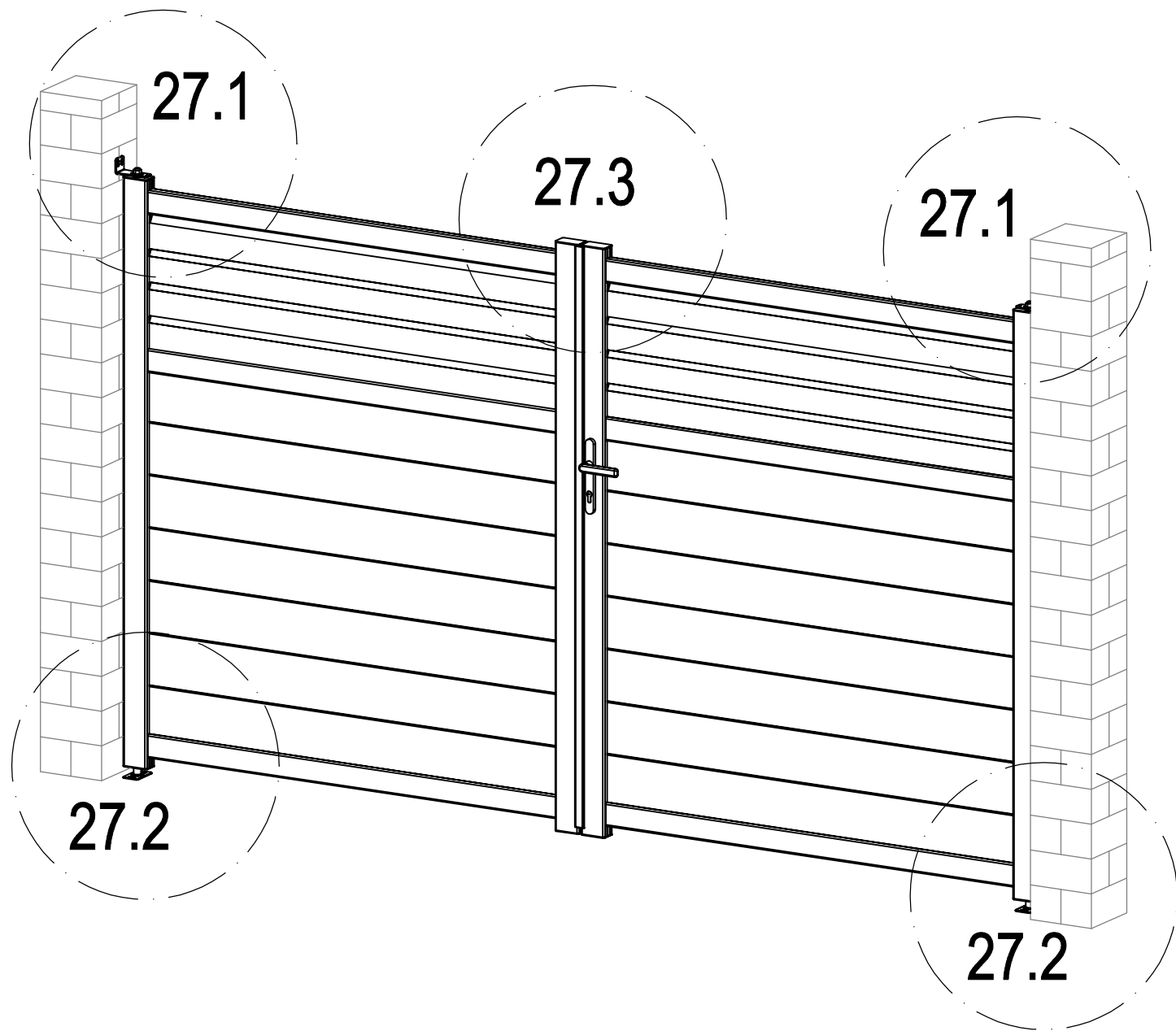
	Dr-12	2
	SR-F32	4



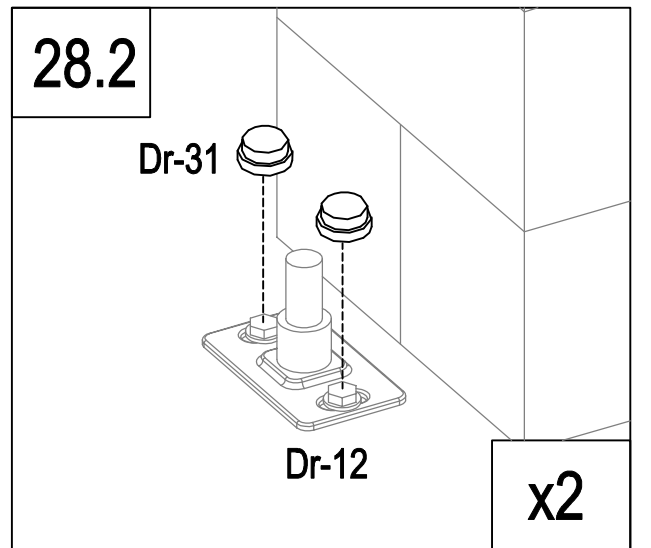
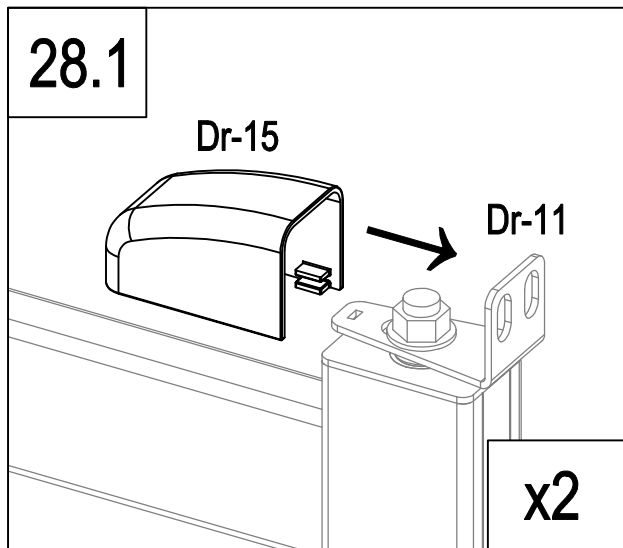
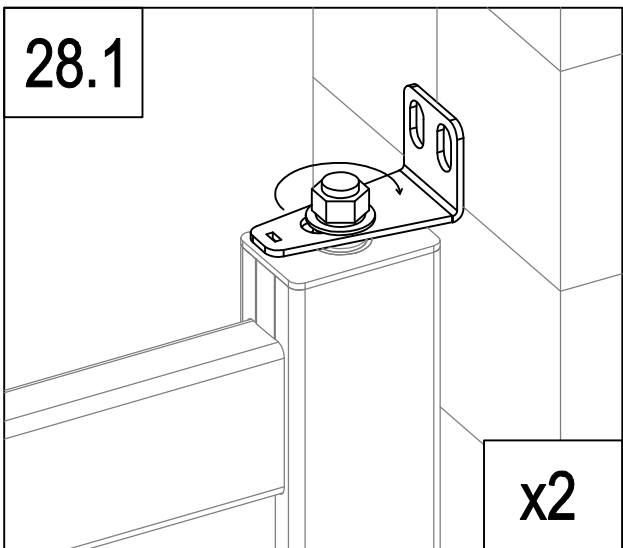
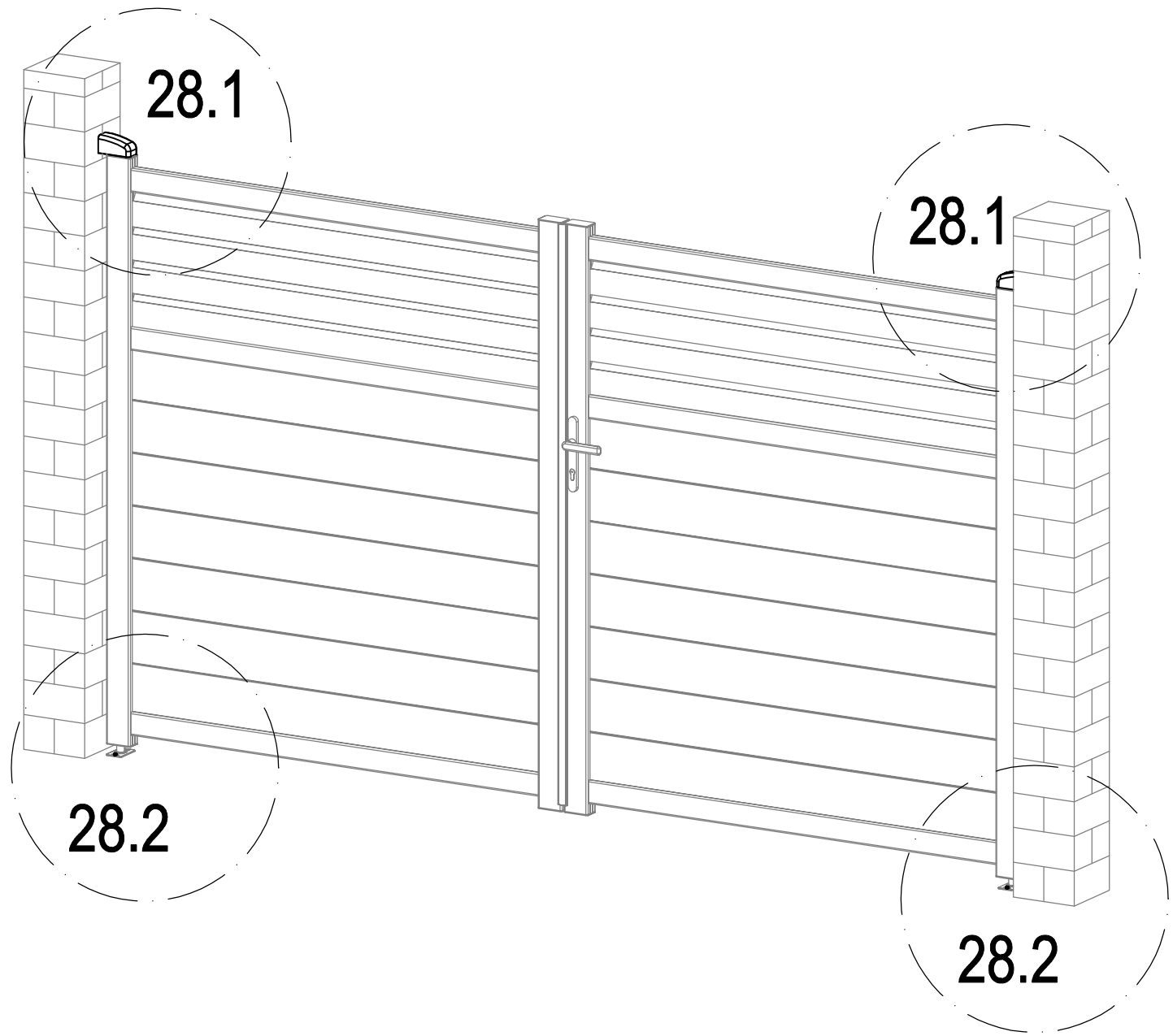
	Dr-11	1
	SR-F32	2

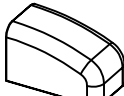



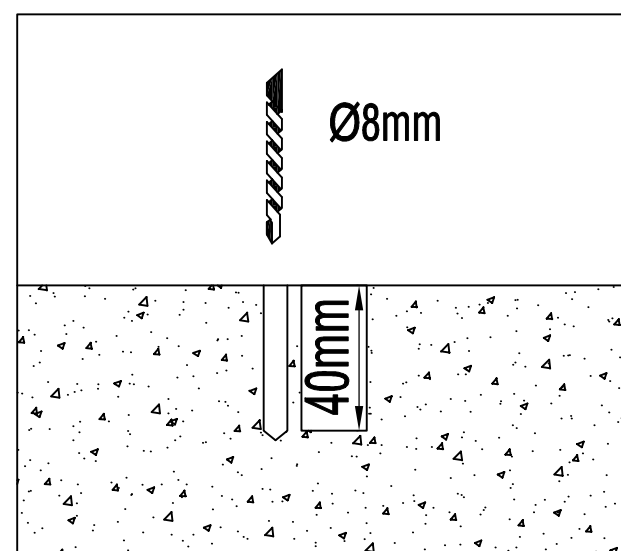
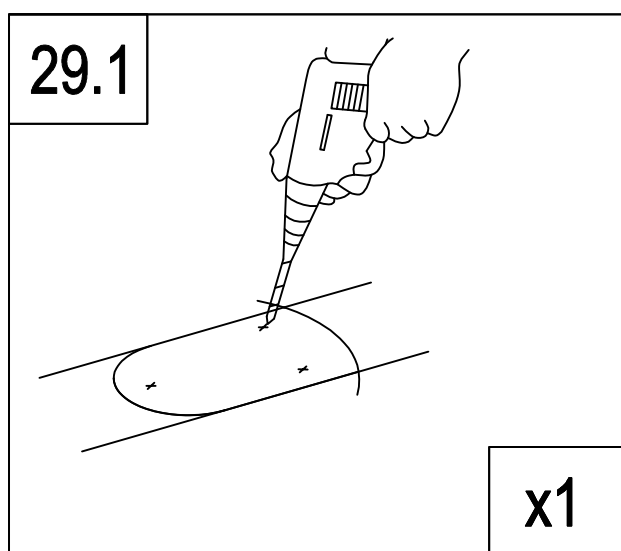
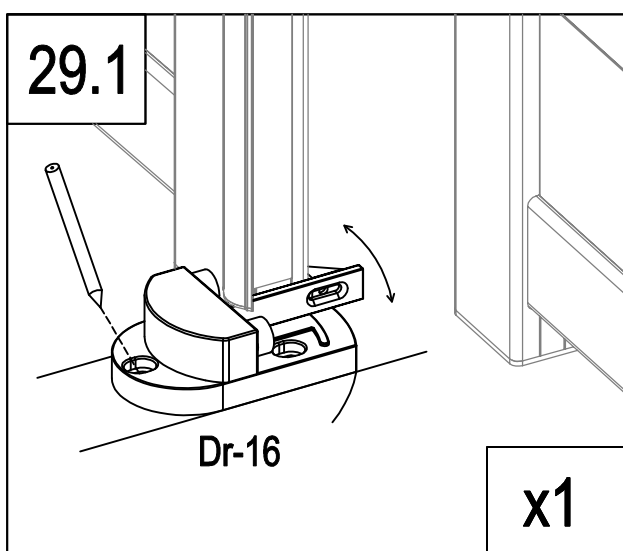
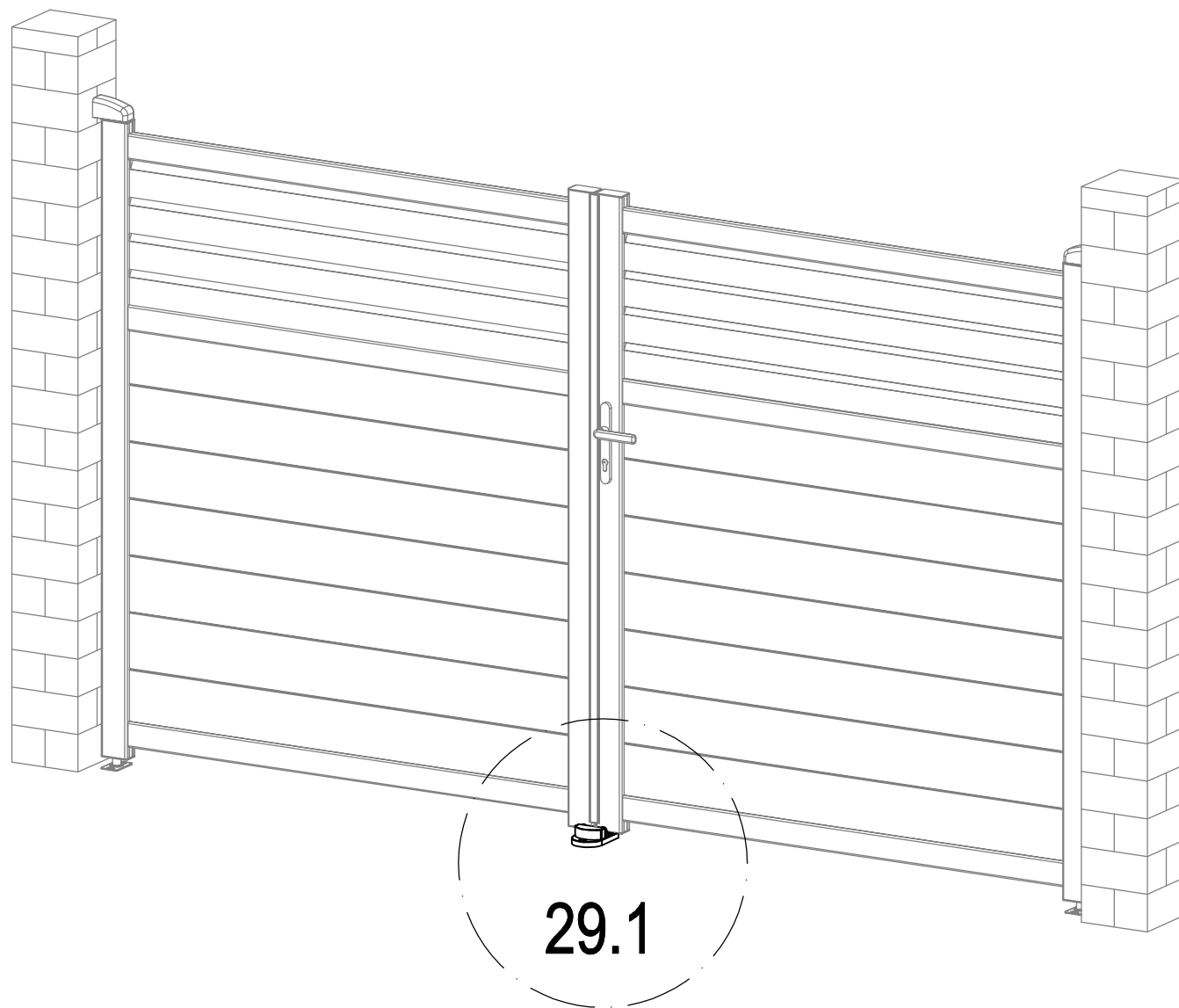
	Dr-11	1
	SR-F32	2

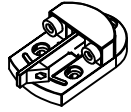




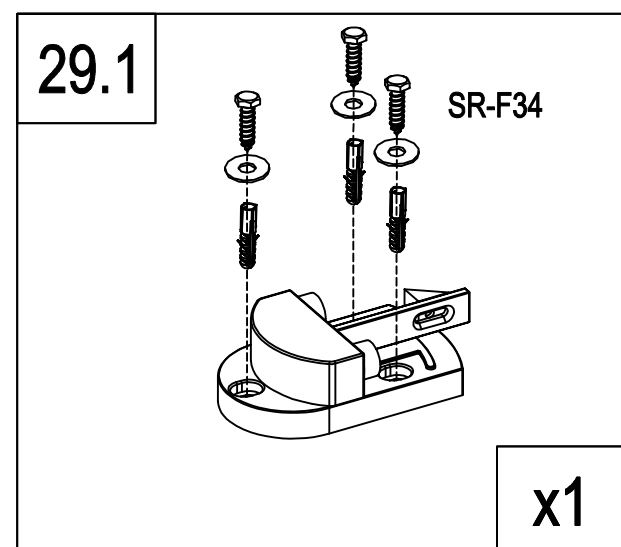


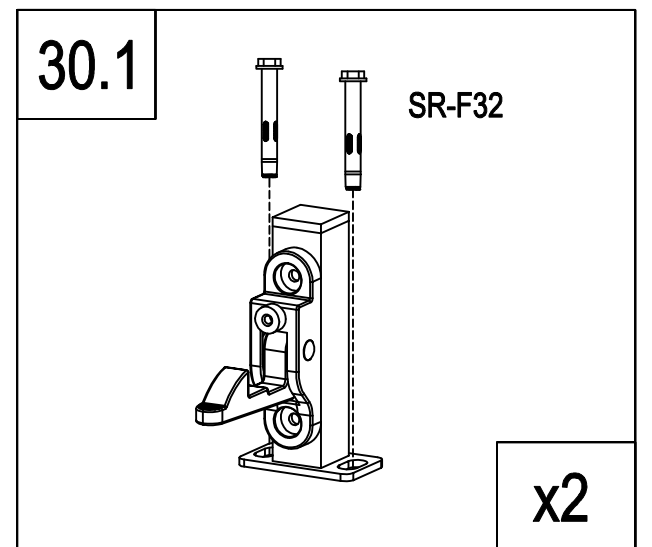
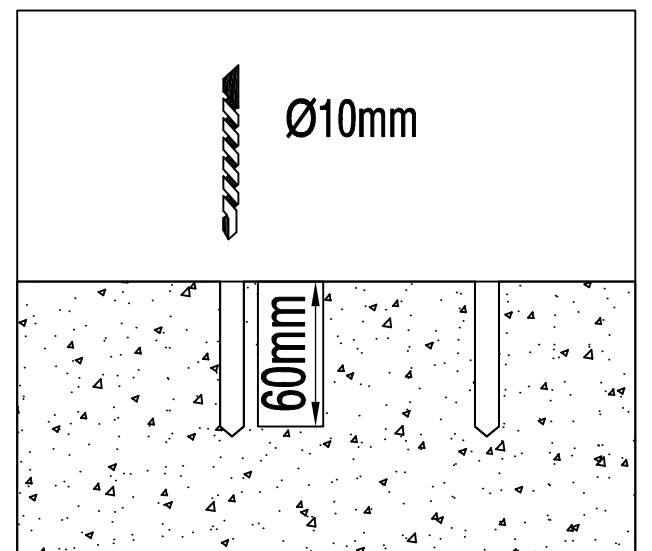
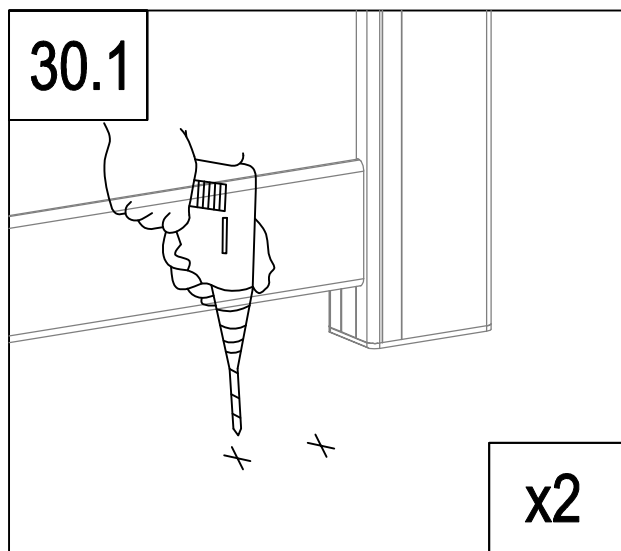
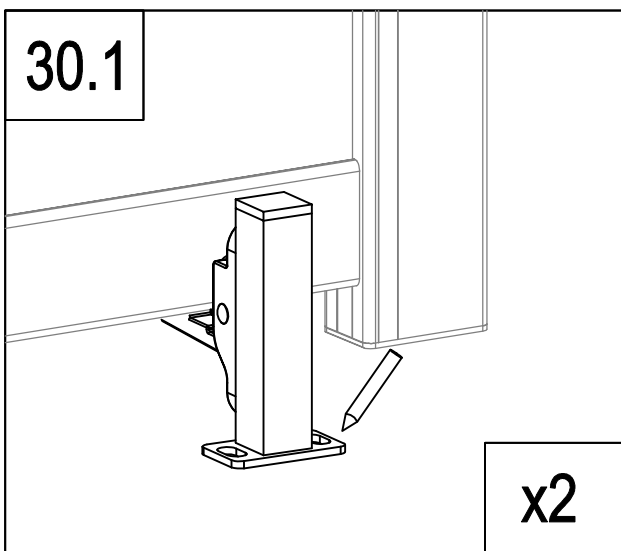
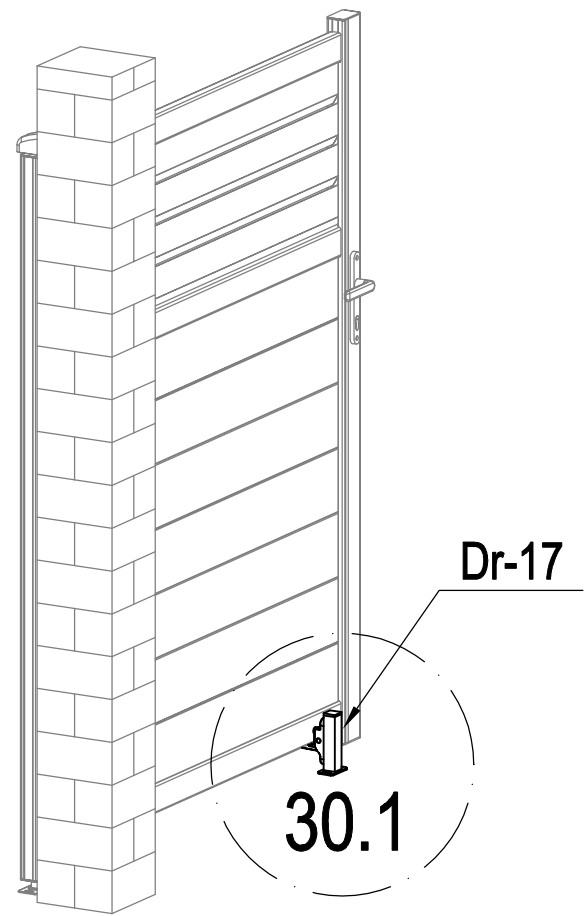
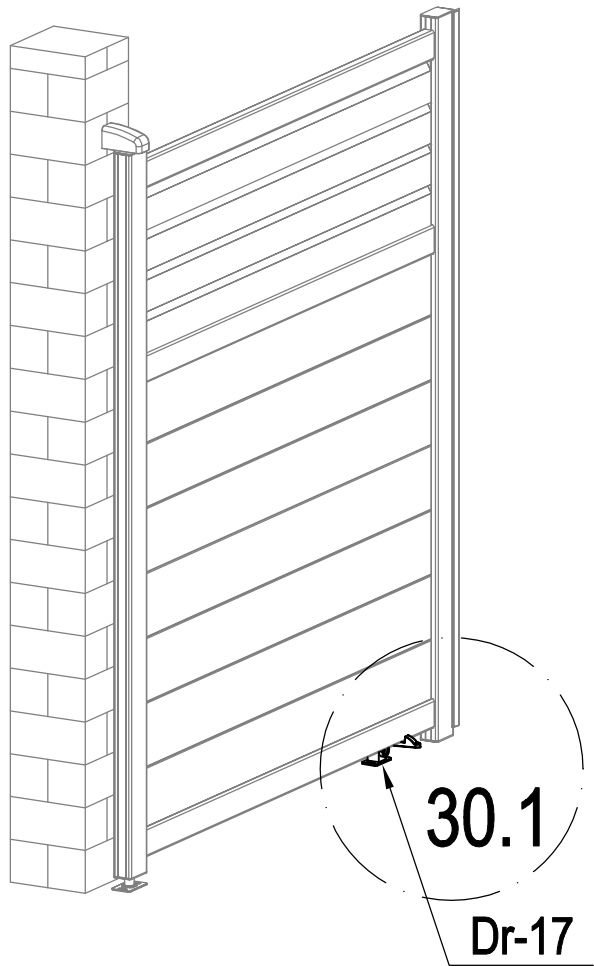


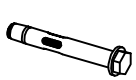
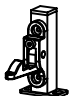
	Dr-15	2
	Dr-31	4



	Dr-16	1
	SR-F34	3
	SR-F35	3





	SR-F32	4
	Dr-17	2