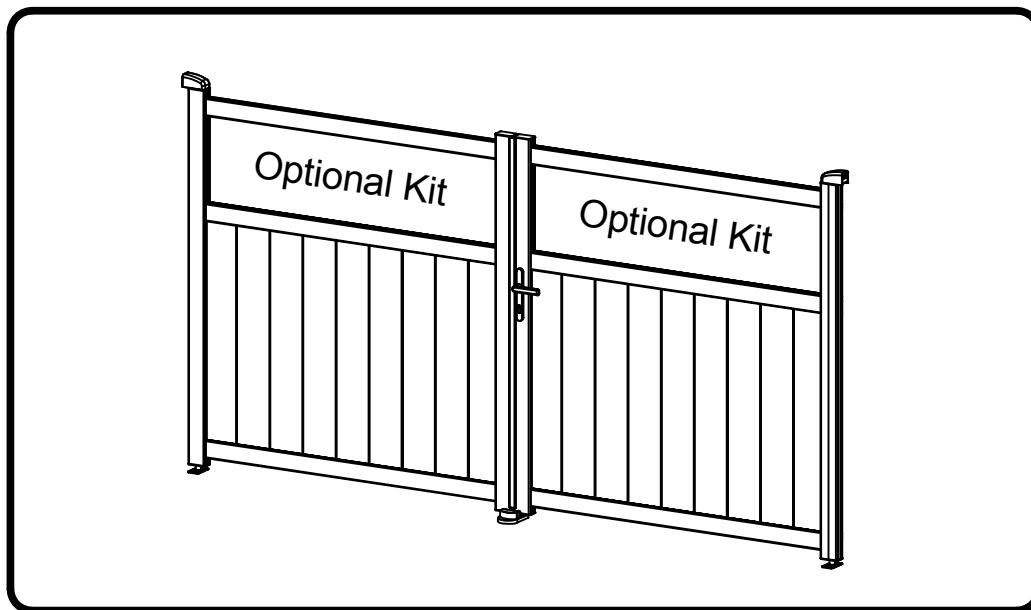


CASANOVO

DO 300B160



7-8H



x2

COM-000314

[x1]

COM-000315

[x1]

COM-000*DESIGN*

[x1]

*Selon modèle

FR

EN

ES

DE

IT

NL

PL

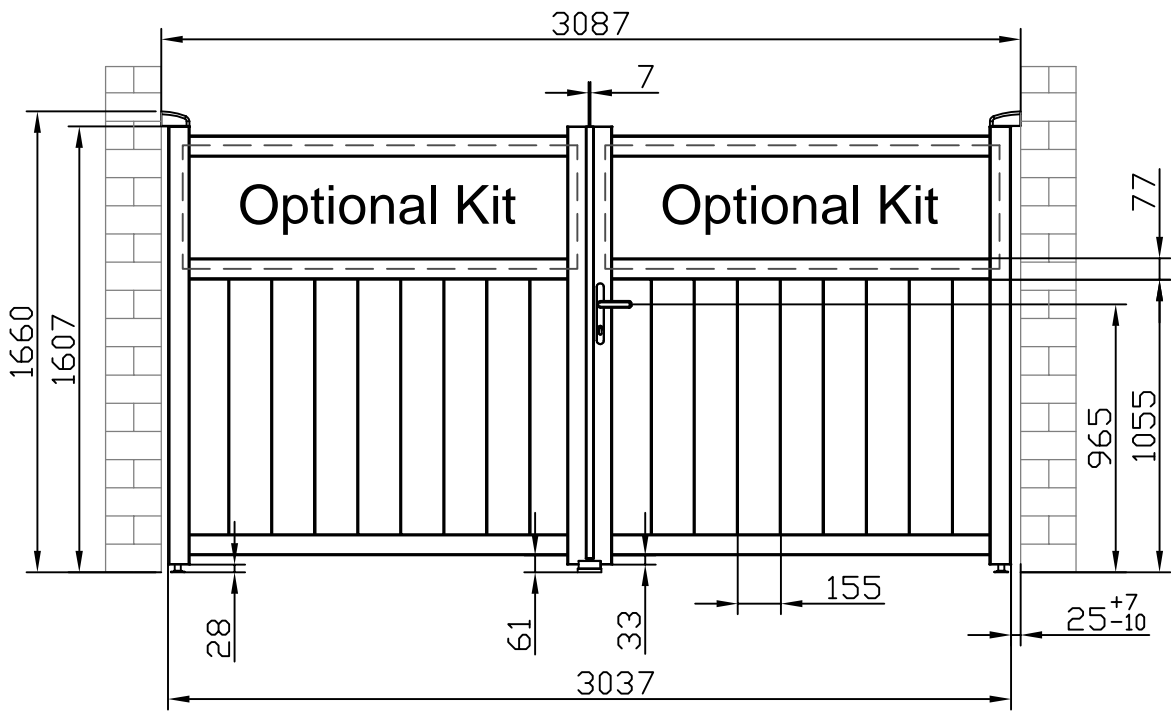
PT

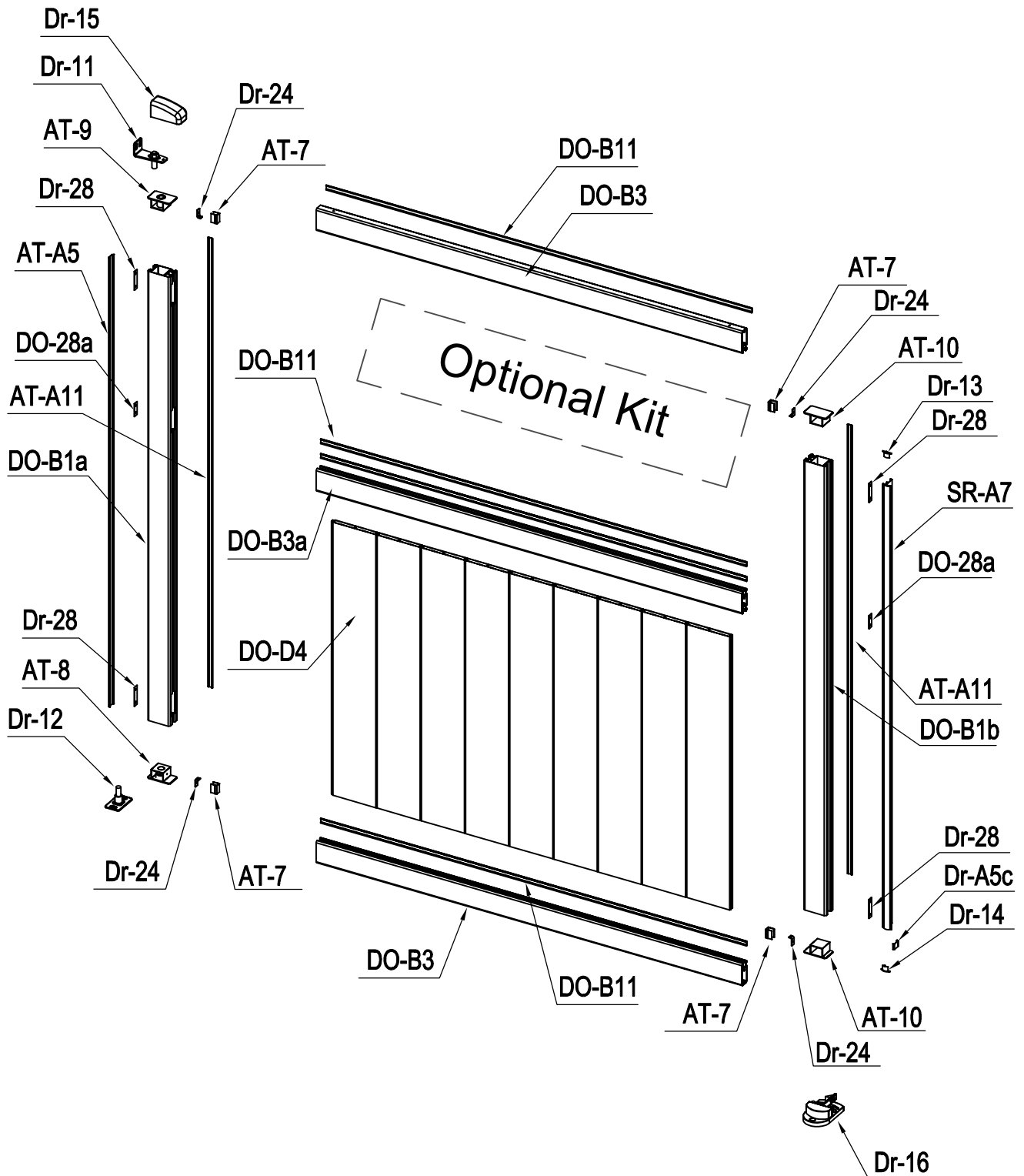
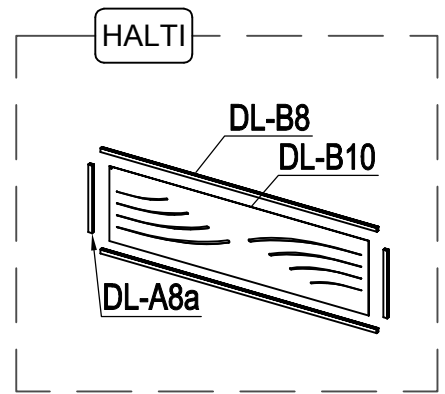
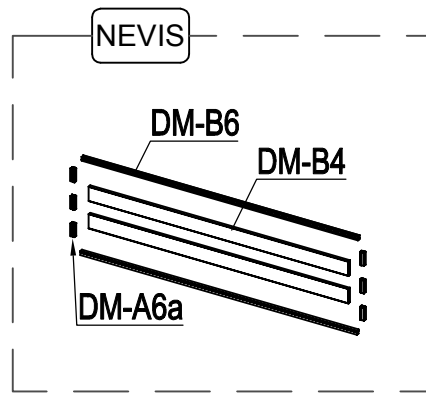
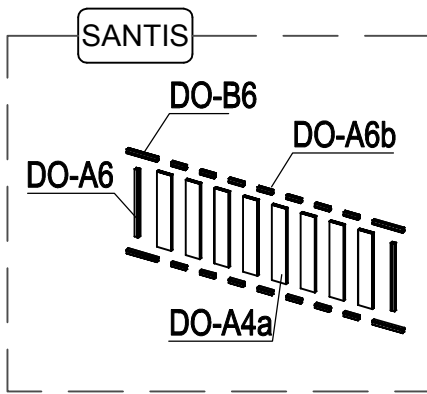
FI

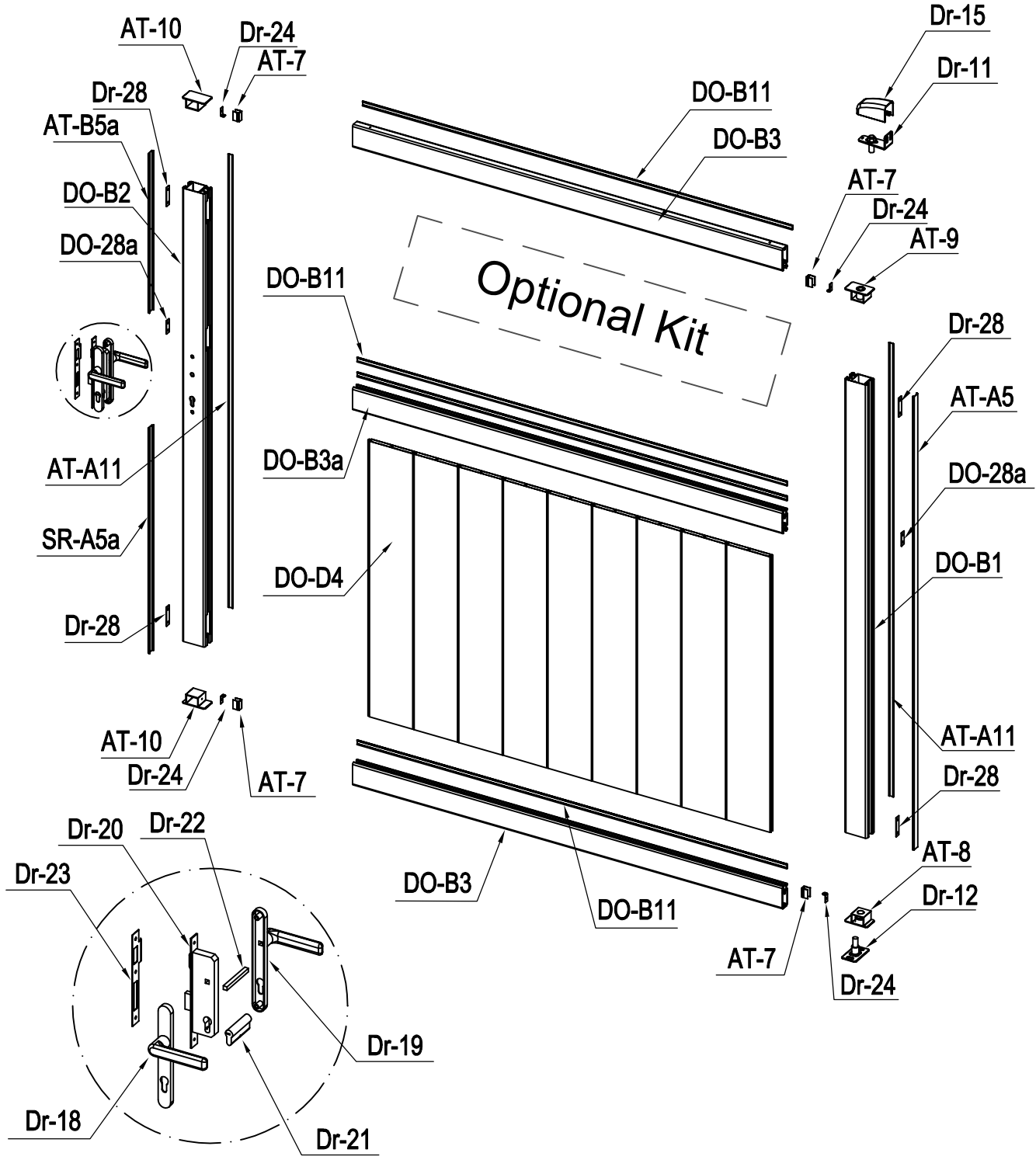
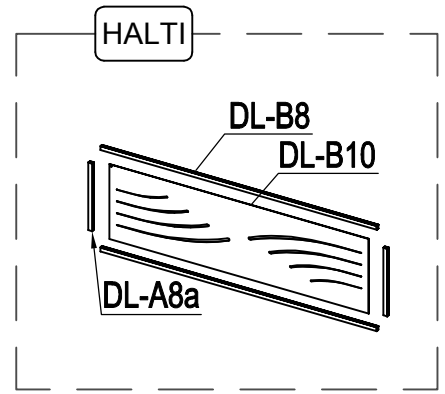
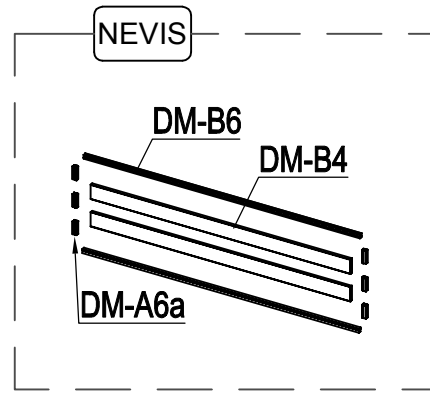
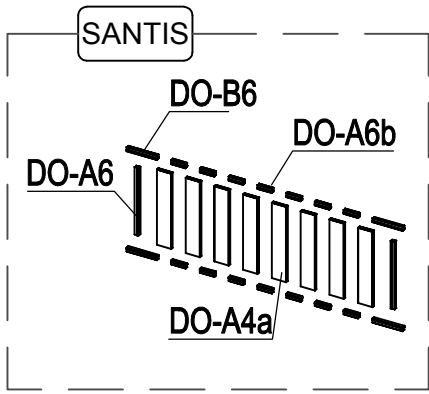
SE

DK

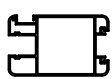




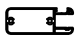



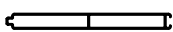

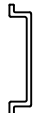



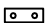
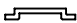




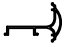

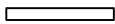













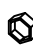

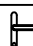
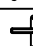





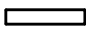





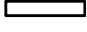









PARTS LIST

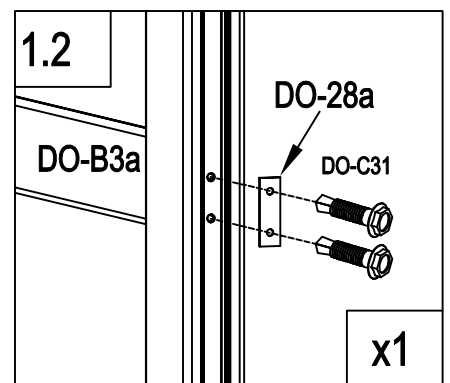
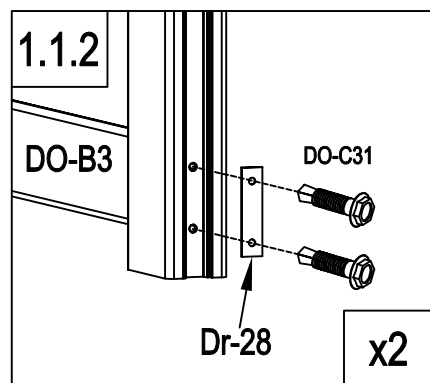
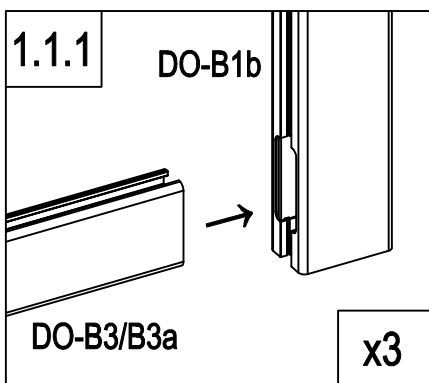
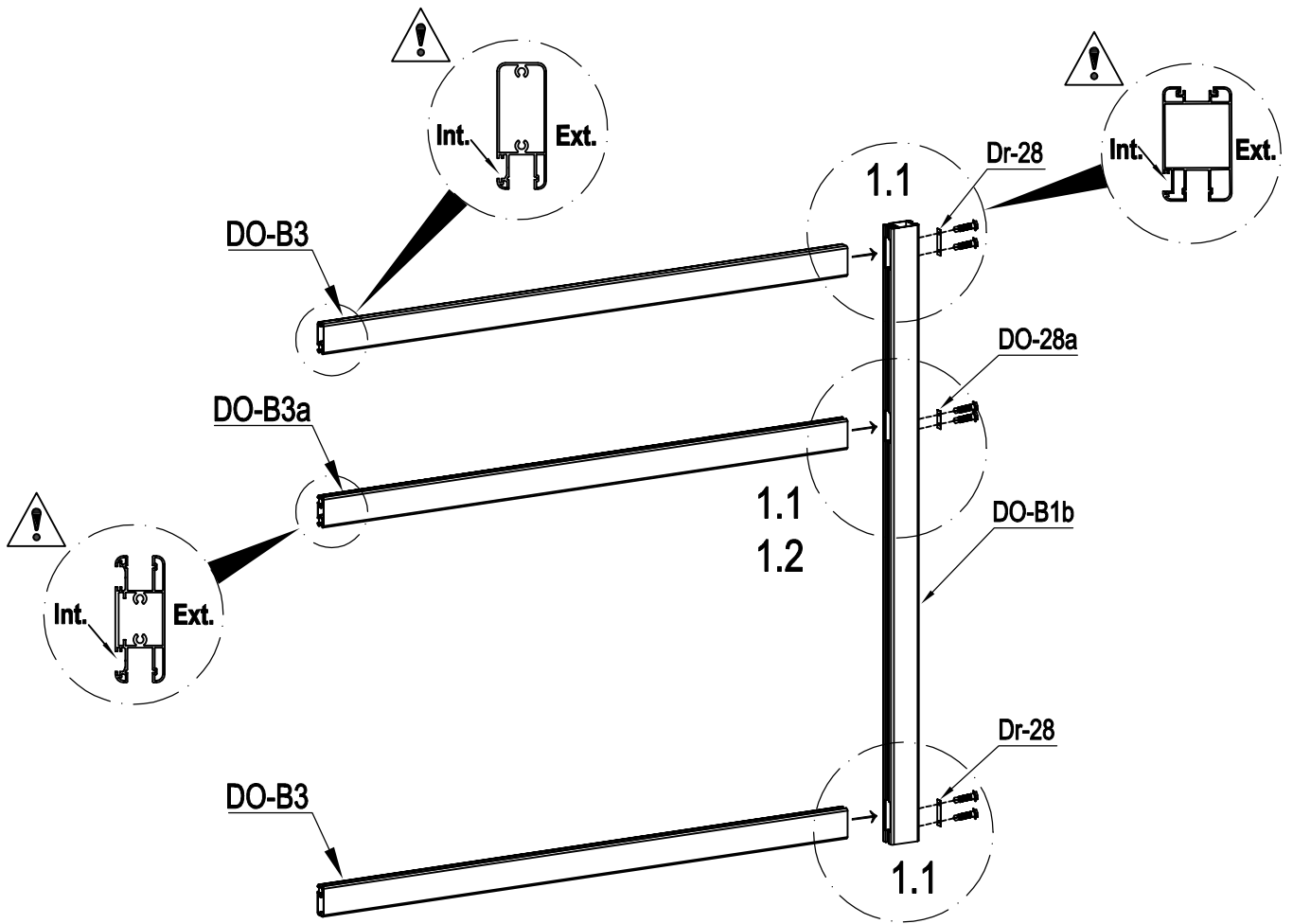
| IMAGE | NO. | L.(mm) | QTY | IMAGE | NO. | L.(mm) | QTY |
|---|--------|--------|-----|---|--------|--------|-----|
|  | DO-B1 | 1573 | 1 |  | Dr-20 | | 1 |
| | DO-B1a | 1573 | 1 |  | Dr-21 | | 1 |
| | DO-B1b | 1573 | 1 |  | Dr-22 | | 1 |
| | DO-B2 | 1573 | 1 |  | Dr-23 | | 1 |
|  | DO-B3 | 1492 | 4 |  | Dr-25 | | 1 |
|  | DO-B3a | 1492 | 2 |  | Dr-25a | | 2 |
|  | DO-D4 | 957 | 18 |  | Dr-26 | | 3 |
|  | AT-A5 | 1573 | 2 |  | Dr-27 | | 2 |
| | AT-B5a | 550.5 | 1 |  | Dr-24 | | 8 |
| | SR-A5a | 782 | 1 |  | Dr-28 | | 8 |
| | Dr-A5c | 19.5 | 1 |  | DO-28a | | 4 |
|  | AT-A11 | 1573 | 4 |  | DO-C30 | | 8 |
| | DO-B11 | 1492 | 8 |  | DO-C31 | | 24 |
|  | AT-7 | 29.5 | 8 |  | DO-C32 | | 12 |
|  | SR-A7 | 1553 | 1 |  | DO-C33 | | 12 |
|  | DO-B15 | 1490 | 2 |  | DO-C34 | | 3 |
|  | AT-8 | | 2 |  | DO-C35 | | 44 |
|  | AT-9 | | 2 |  | DO-C36 | | 3 |
|  | AT-10 | | 4 | | | | |
|  | Dr-11 | | 2 | | | | |
|  | Dr-12 | | 2 | | | | |
|  | Dr-13 | | 1 | | | | |
|  | Dr-14 | | 1 | | | | |
|  | Dr-15 | | 2 | | | | |
|  | Dr-16 | | 1 | | | | |
|  | Dr-17 | | 2 | | | | |
|  | Dr-31 | | 4 | | | | |
|  | DO-30 | | 8 | | | | |
|  | Dr-18 | | 1 | | | | |
|  | Dr-19 | | 1 | | | | |

PARTS LIST (Optional Kit)

| <p>COM-000350</p>  | IMAGE | NO. | L.(mm) | QTY |
|---|---|--------|--------|-----|
| |  | DO-A4a | 406 | 16 |
| |  | DO-A6 | 364 | 4 |
| | | DO-B6 | 163 | 8 |
| | | DO-A6b | 77.5 | 28 |
|  | DO-35 | | 32 | |

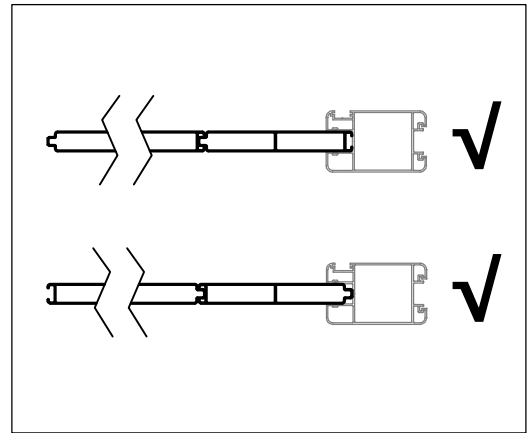
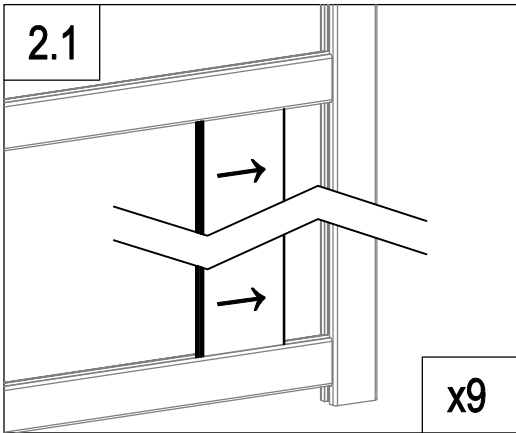
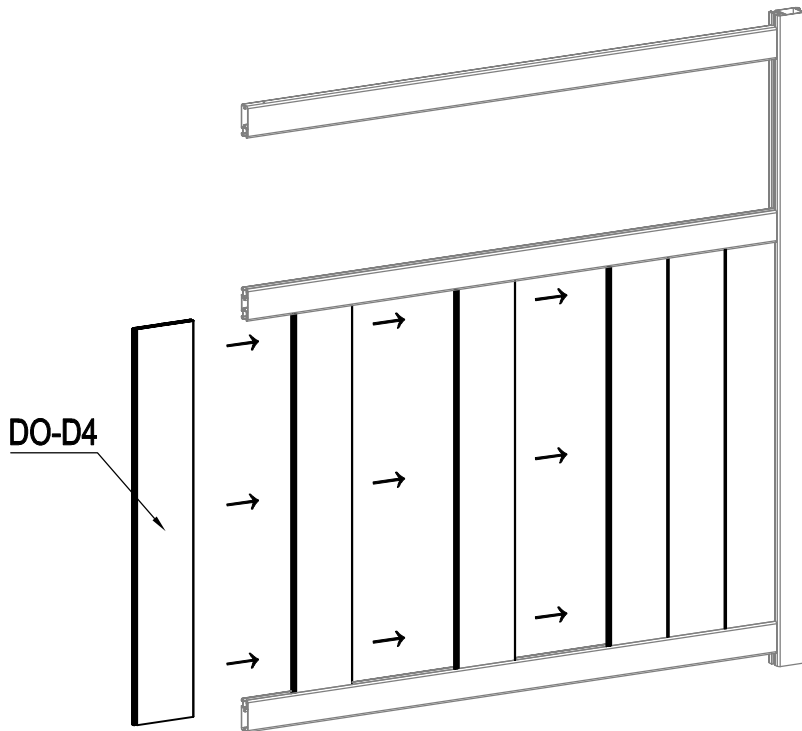
| <p>COM-000353</p>  | IMAGE | NO. | L.(mm) | QTY |
|---|---|--------|--------|-----|
| |  | DM-B4 | 1400 | 4 |
| |  | DM-B6 | 1490 | 4 |
| | | DM-A6a | 69 | 12 |
|  | DO-32 | | 8 | |

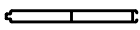
| <p>COM-000356</p>  | IMAGE | NO. | L.(mm) | QTY |
|---|---|--------|--------|-----|
| |  | DL-B8 | 1490 | 4 |
| | | DL-A8a | 364 | 4 |
| |  | DL-B10 | 1397 | 2 |
| |  | DO-32 | | 8 |
|  | DO-35 | | 16 | |

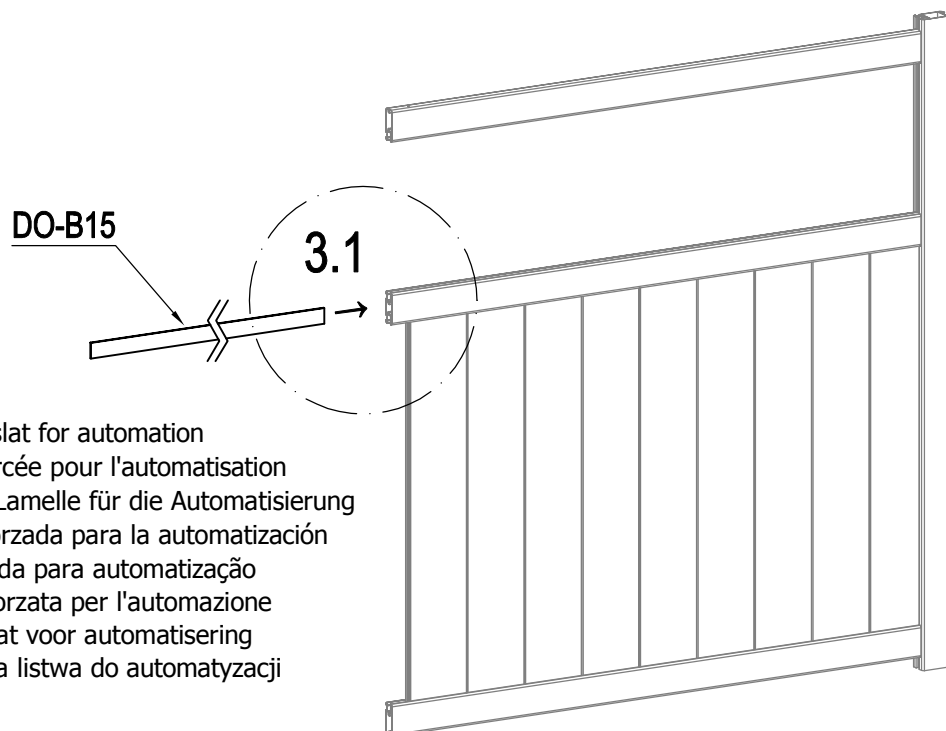


| | | |
|--|--------|---|
| | DO-B1b | 1 |
| | DO-B3 | 2 |
| | DO-B3a | 1 |

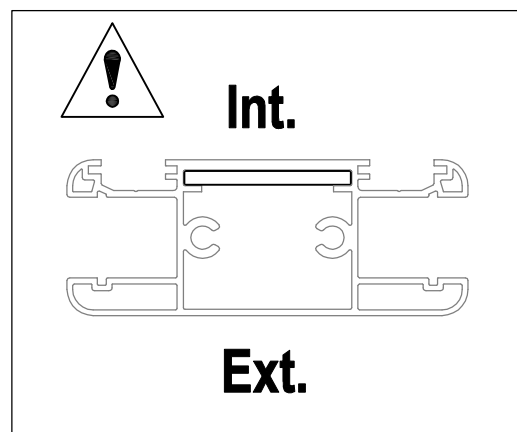
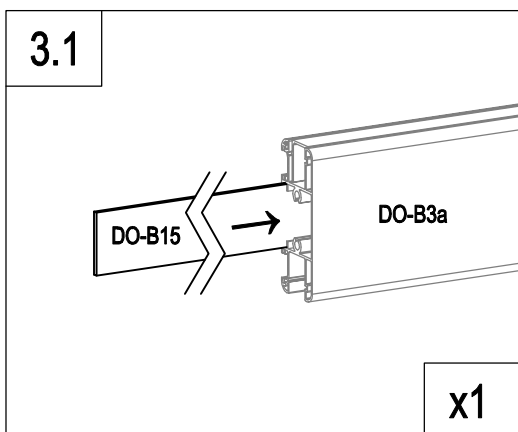
| | | |
|--|--------|---|
| | Dr-28 | 2 |
| | DO-28a | 1 |
| | DO-C31 | 6 |




| | | |
|---|-------|---|
|  | DO-D4 | 9 |
|---|-------|---|

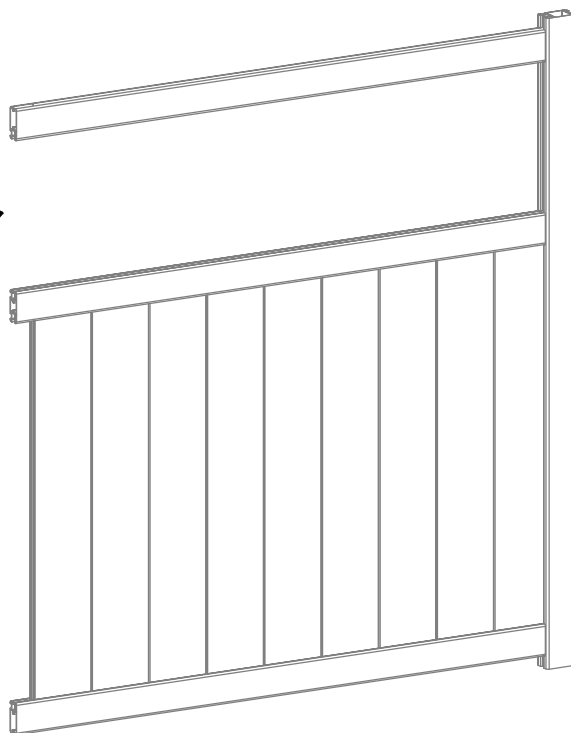


- EN: reinforced slat for automation
- FR : lame renforcée pour l'automatisation
- DE : verstärkte Lamelle für die Automatisierung
- ES: Lámina reforzada para la automatización
- PT: ripa reforçada para automatização
- IT: lamella rinforzata per l'automazione
- NL: versterkte lat voor automatisering
- PL: wzmocniona listwa do automatyzacji



| | | |
|---|--------|---|
|  | DO-B15 | 1 |
|---|--------|---|

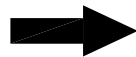
Optional Kit →



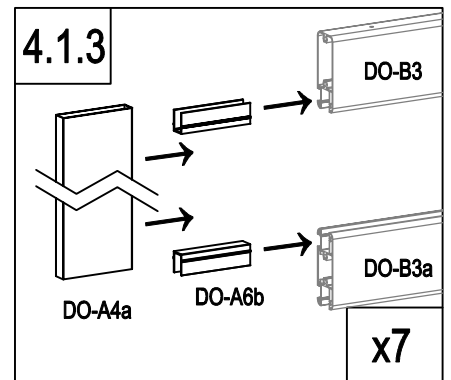
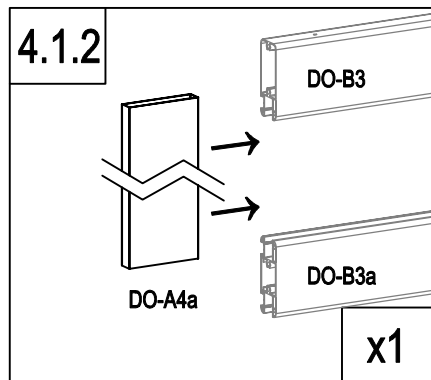
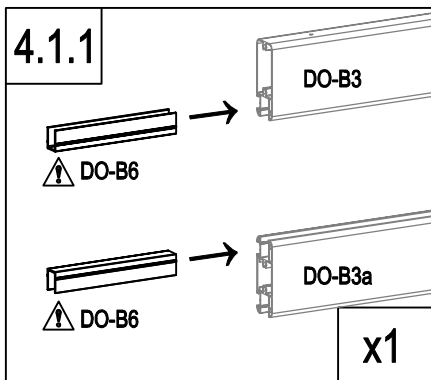
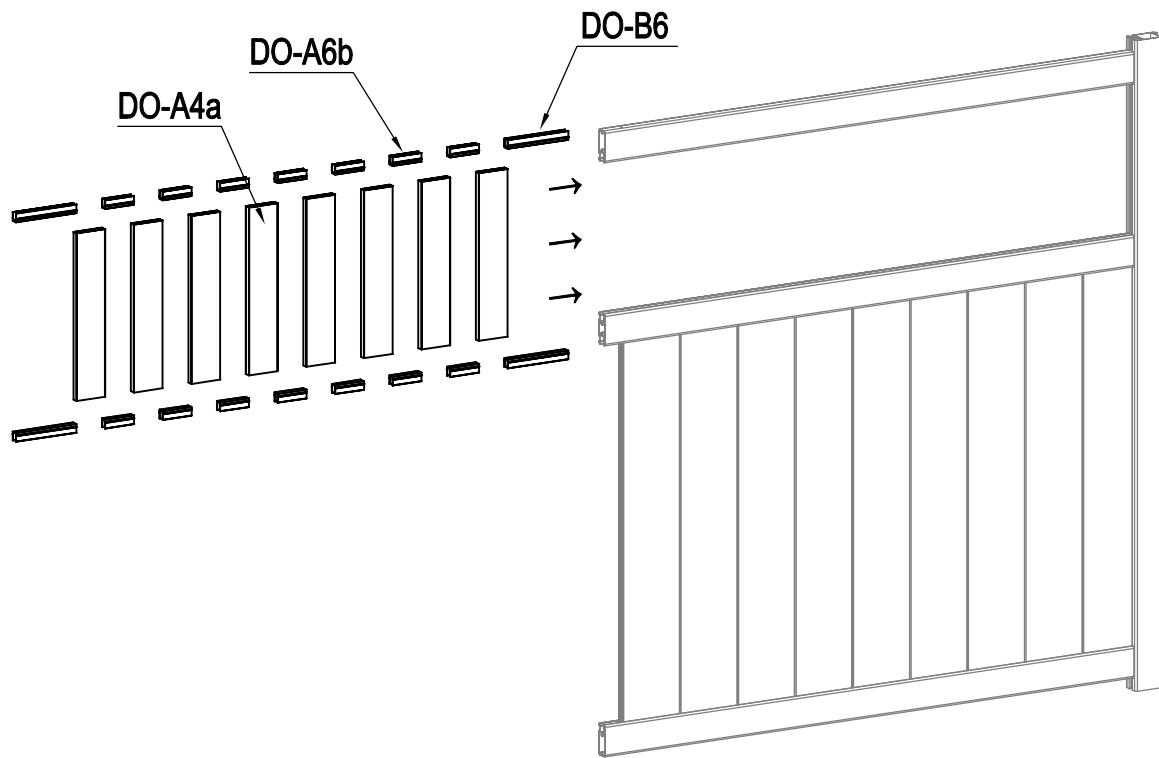
P 5~8



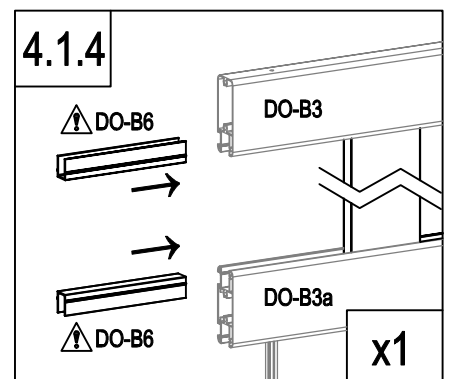
P 9~12

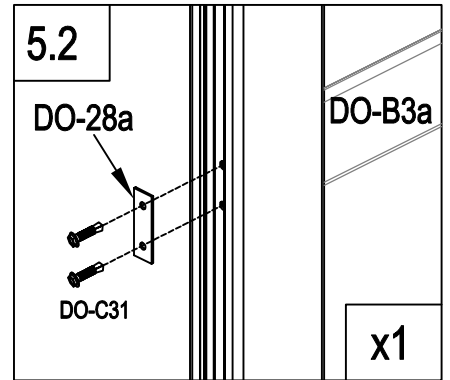
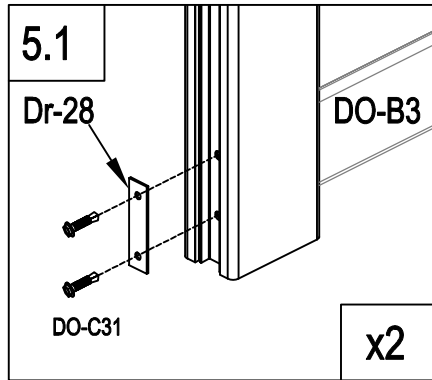
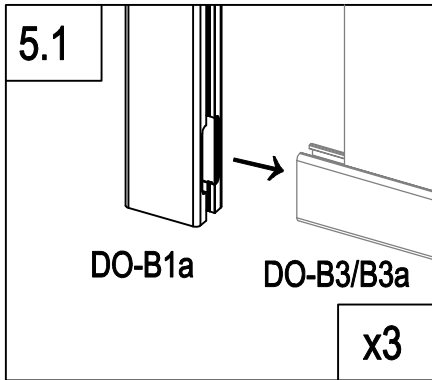
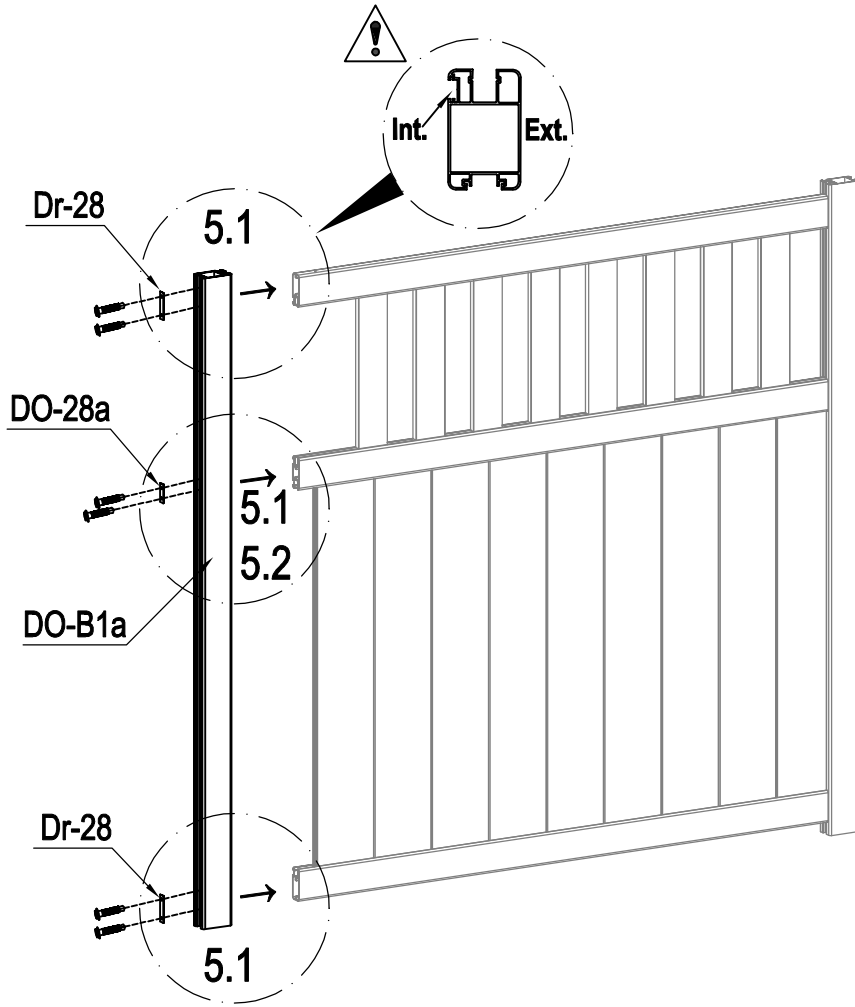


P 13~15

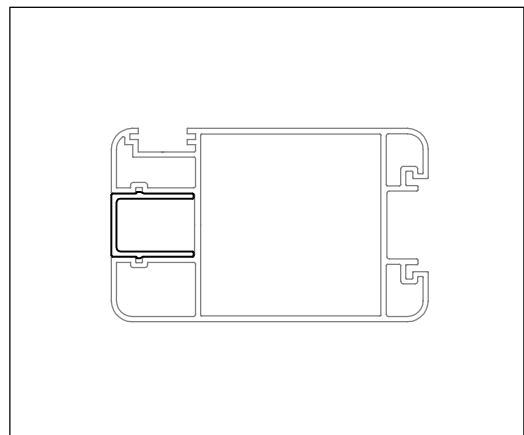
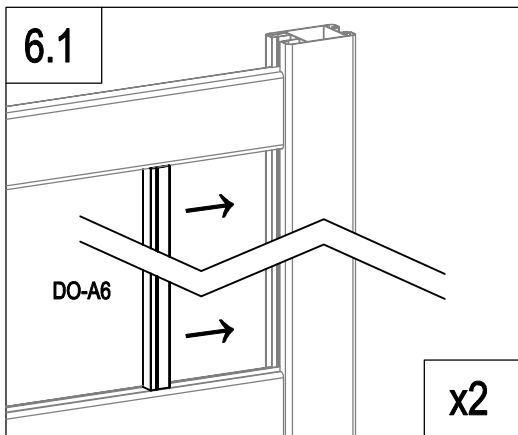
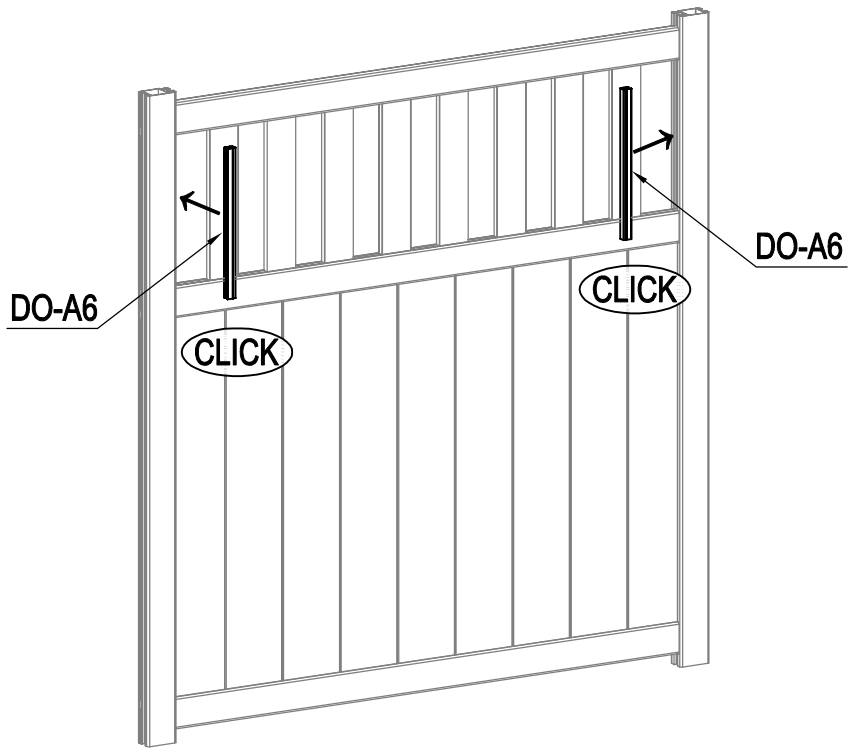


| | | | |
|--|--------|--------|----|
| | DO-A4a | 406mm | 8 |
| | DO-B6 | 163mm | 4 |
| | DO-A6b | 77.5mm | 14 |

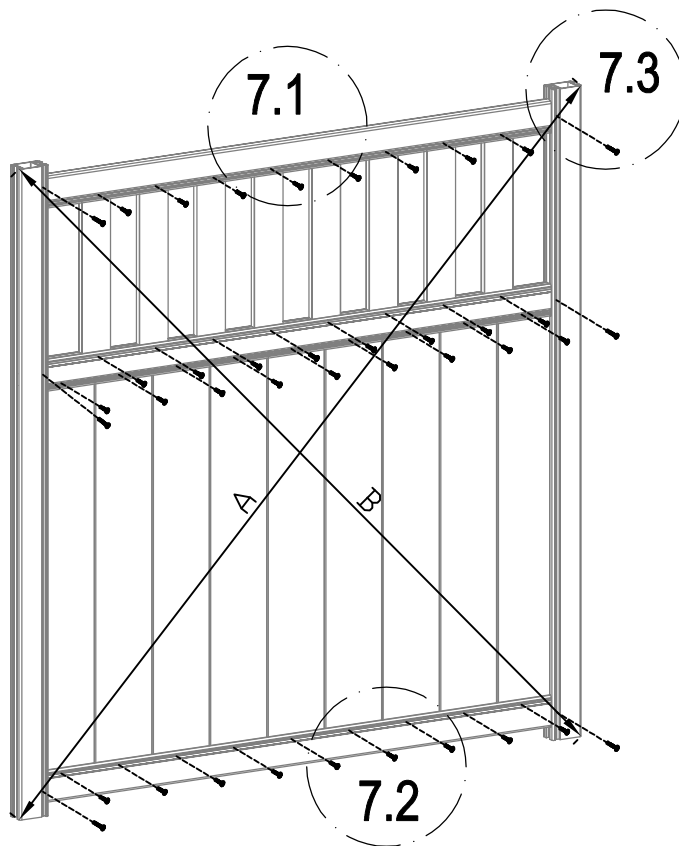




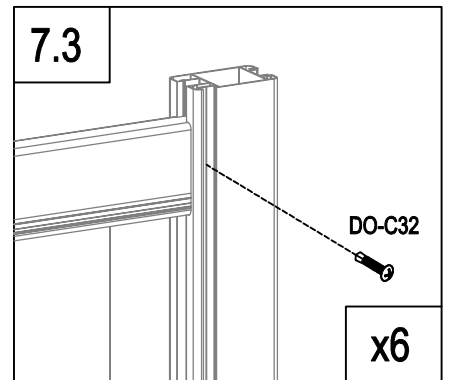
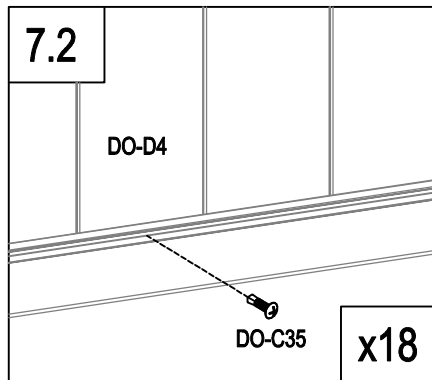
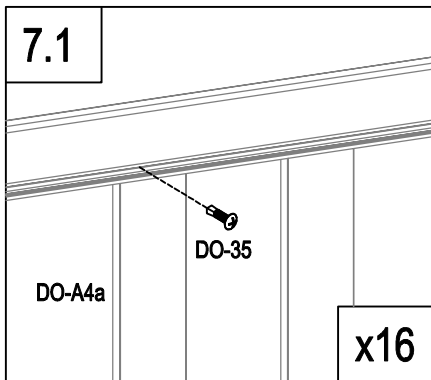
| | | |
|--|--------|---|
| | DO-B1a | 1 |
| | Dr-28 | 2 |
| | DO-28a | 1 |
| | DO-C31 | 6 |



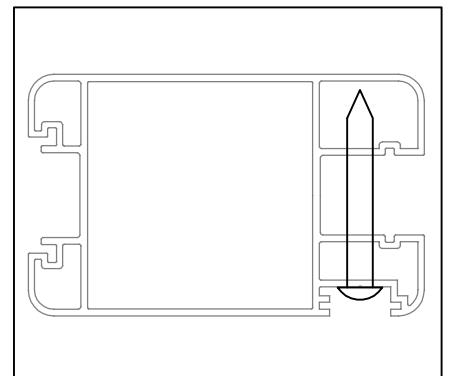
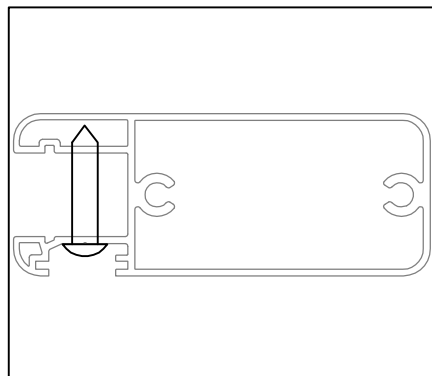
| | | |
|--|-------|---|
| | DO-A6 | 2 |
|--|-------|---|

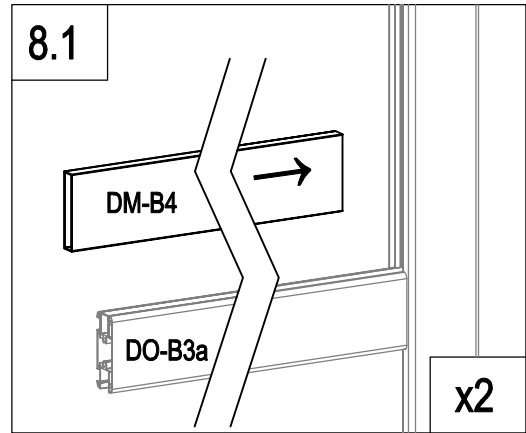
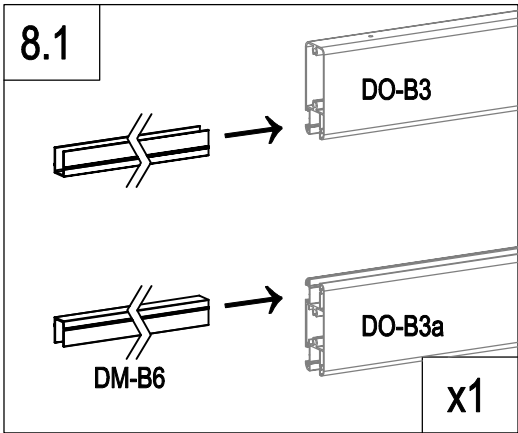
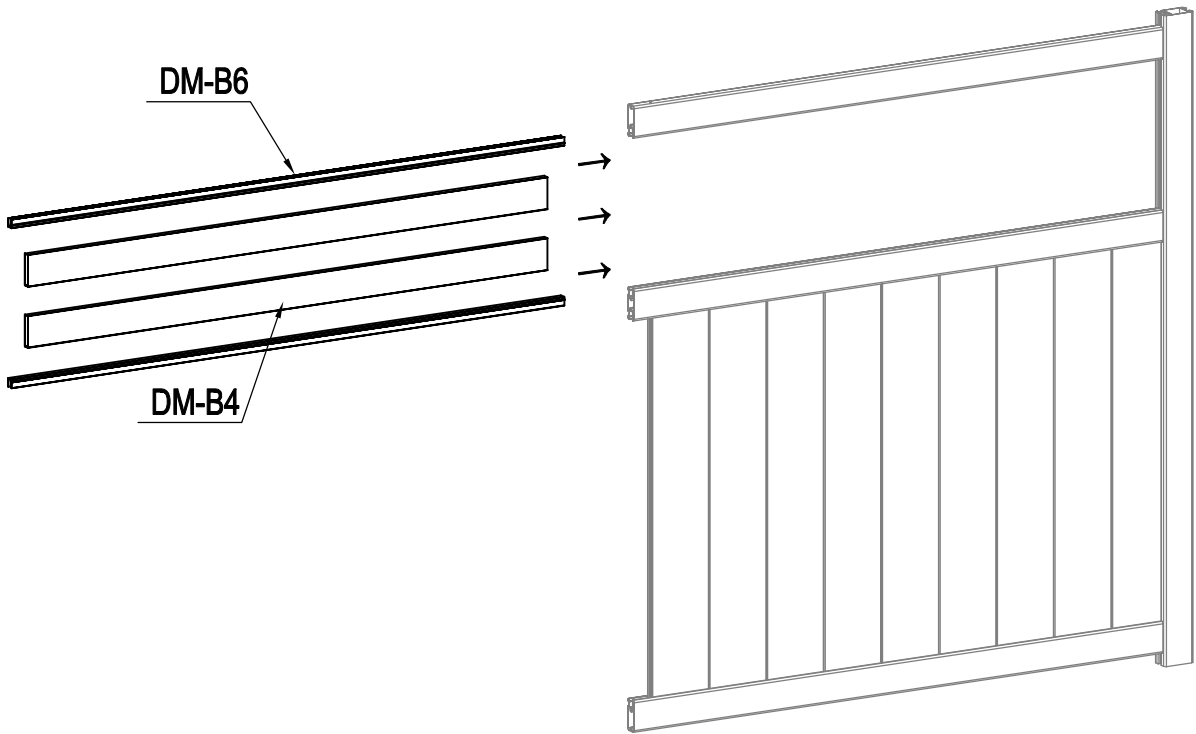


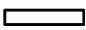

! A=B

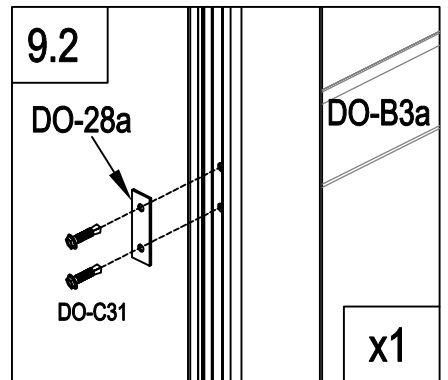
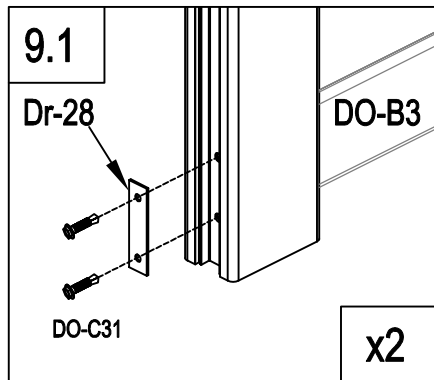
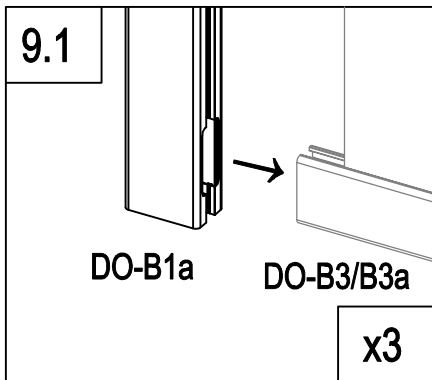
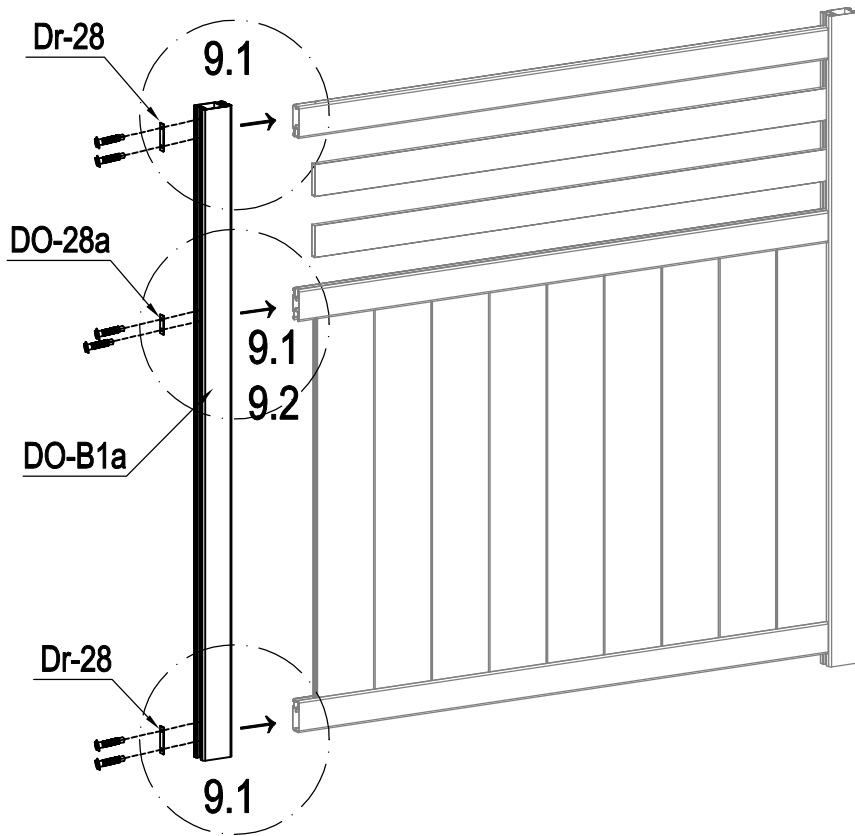


| | | |
|--|--------|----|
| | DO-35 | 16 |
| | DO-C35 | 18 |
| | DO-C32 | 6 |

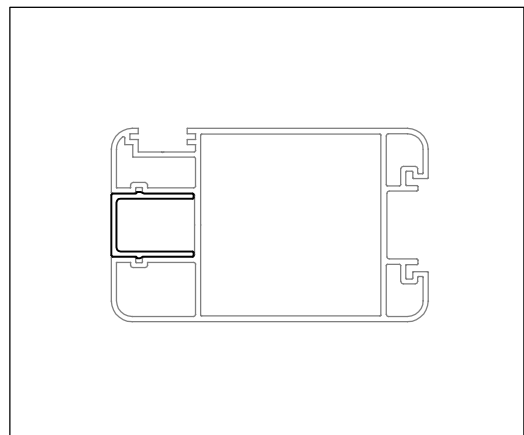
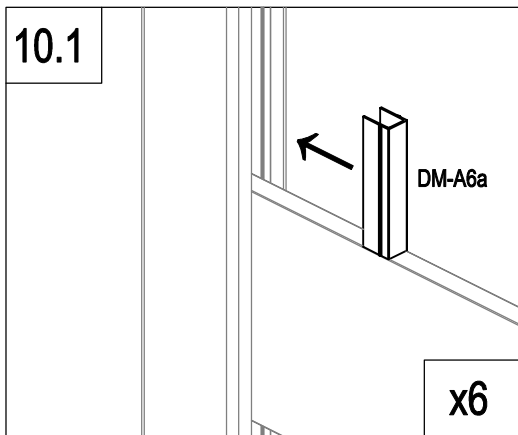
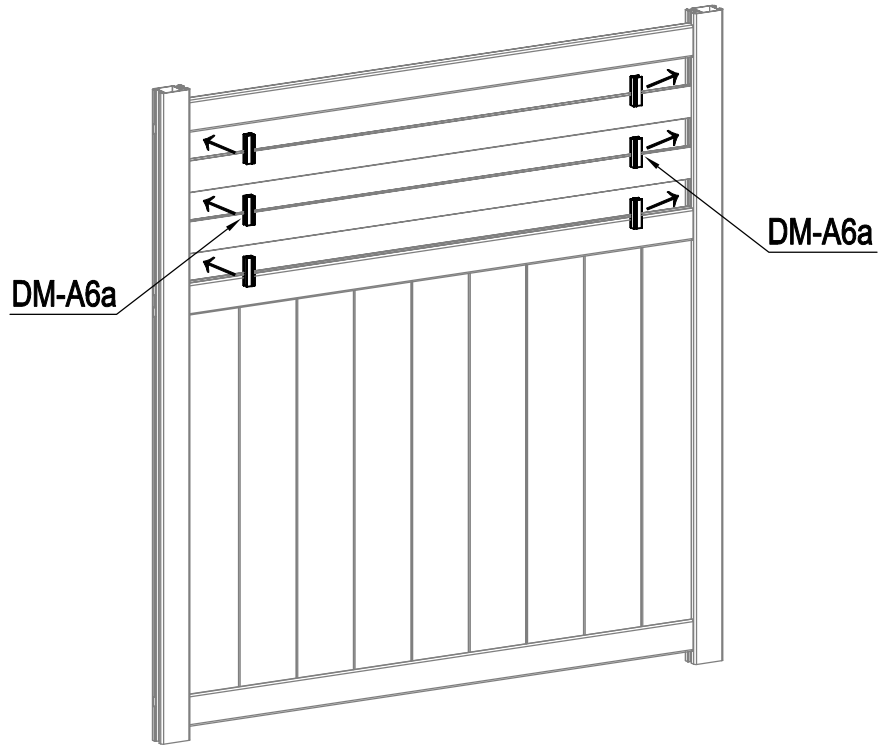




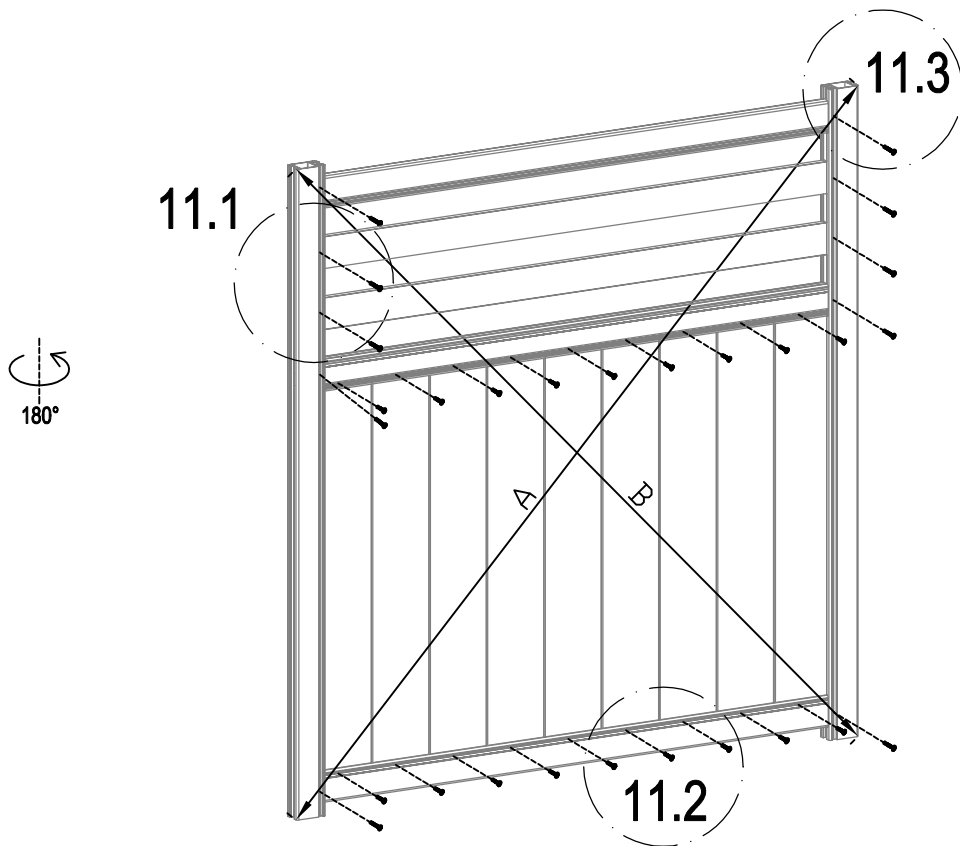
| | | |
|---|-------|---|
|  | DM-B4 | 2 |
|  | DM-B6 | 2 |



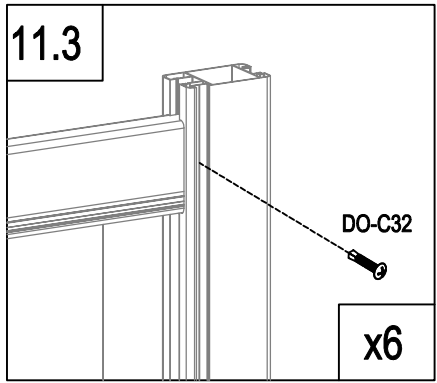
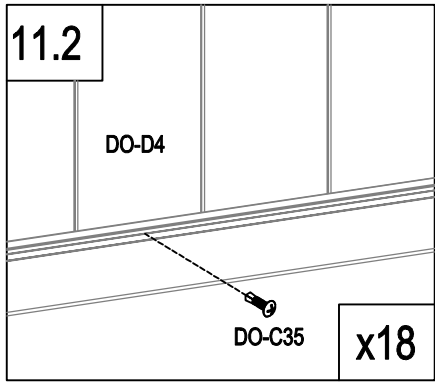
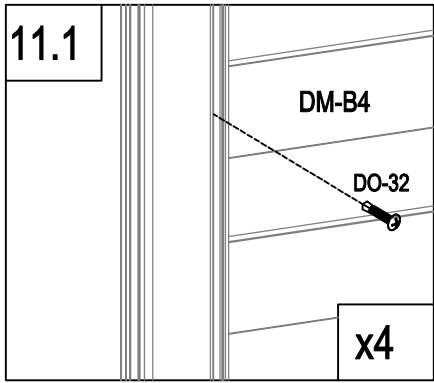
| | | |
|--|--------|---|
| | DO-B1a | 1 |
| | Dr-28 | 2 |
| | DO-28a | 1 |
| | DO-C31 | 6 |



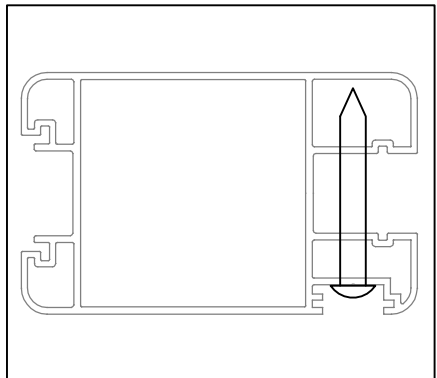
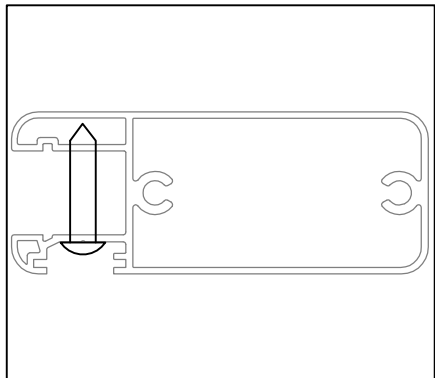
| | | |
|--|--------|---|
| | DM-A6a | 6 |
|--|--------|---|

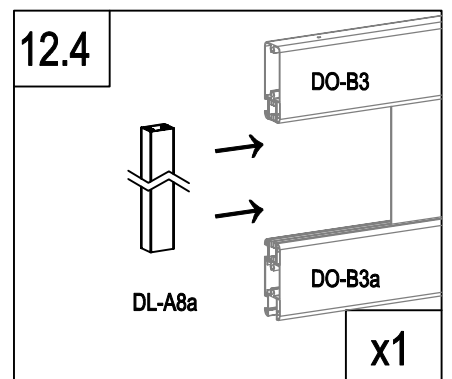
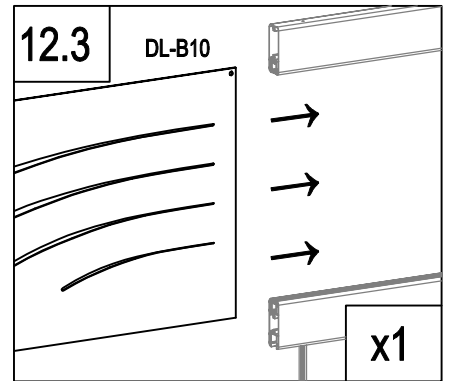
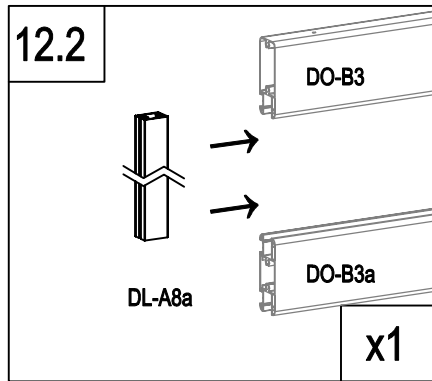
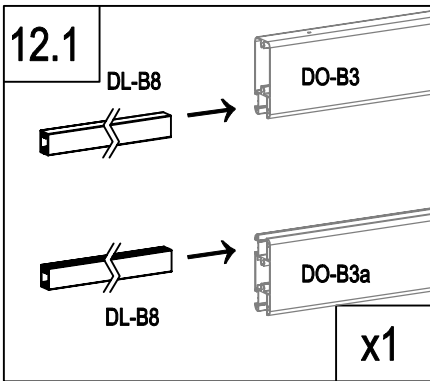
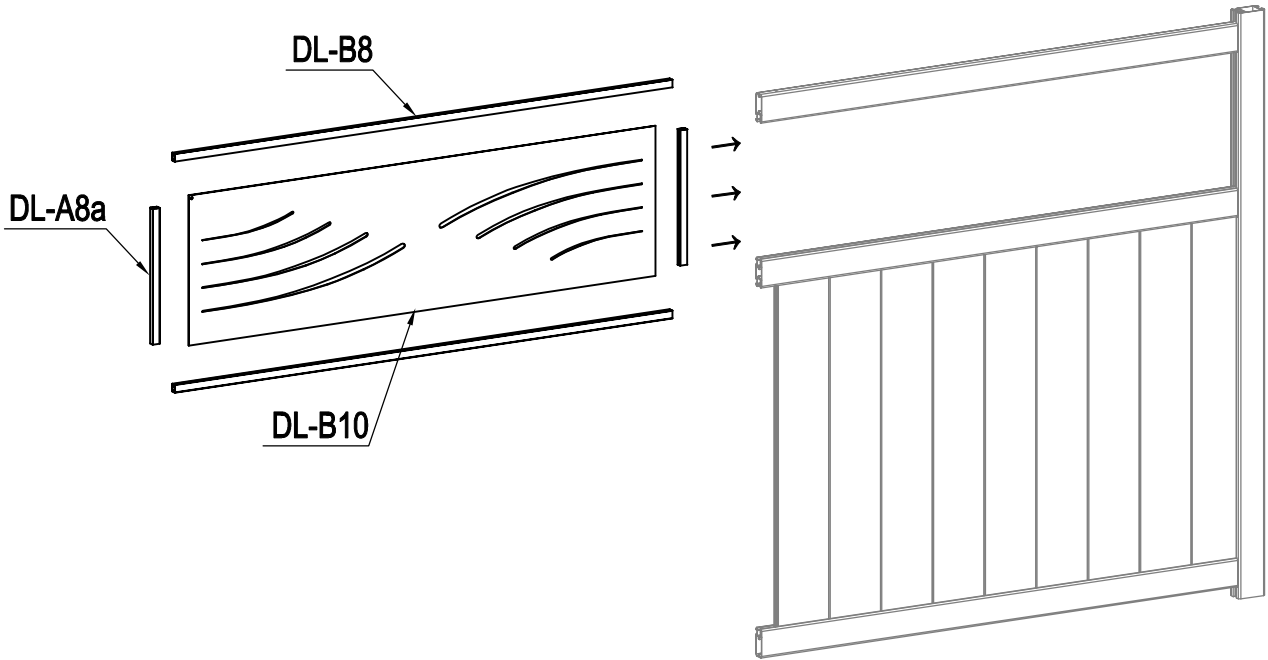


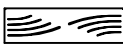

A=B

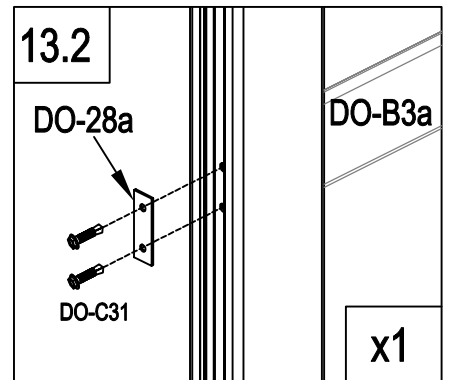
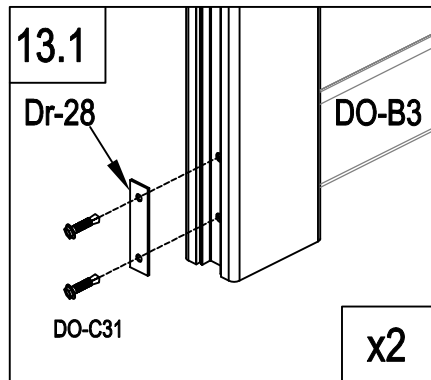
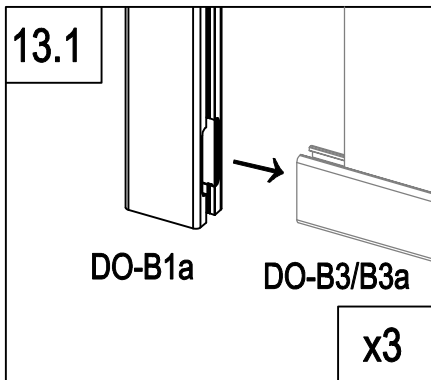
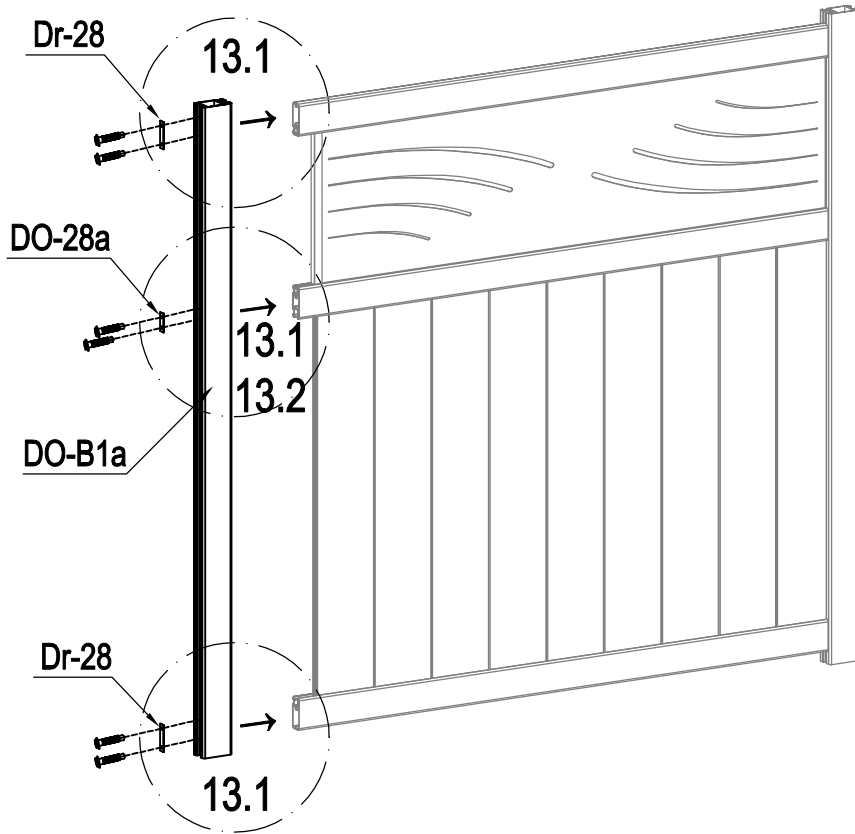


| | | |
|--|--------|----|
| | DO-32 | 4 |
| | DO-C35 | 18 |
| | DO-C32 | 6 |

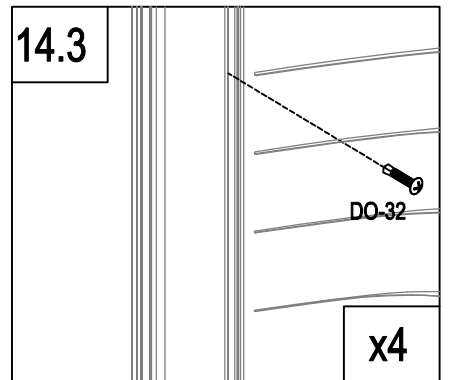
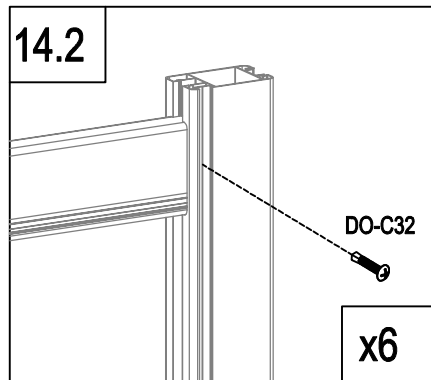
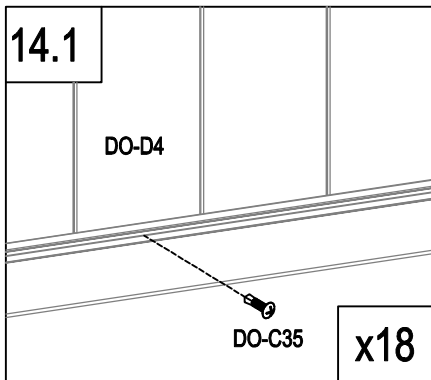
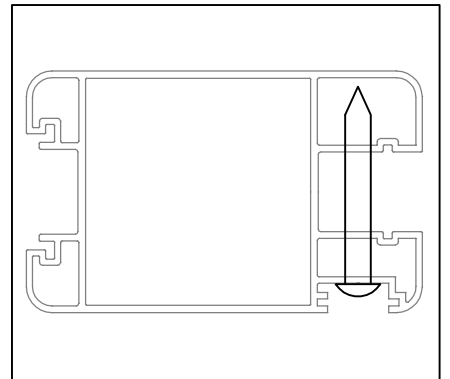
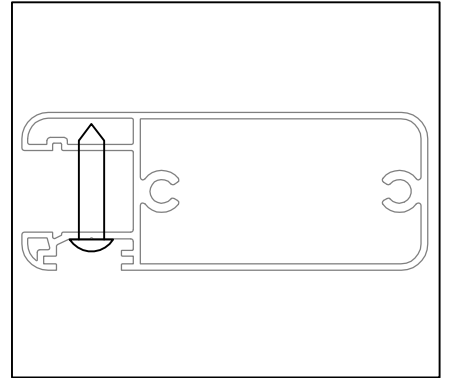
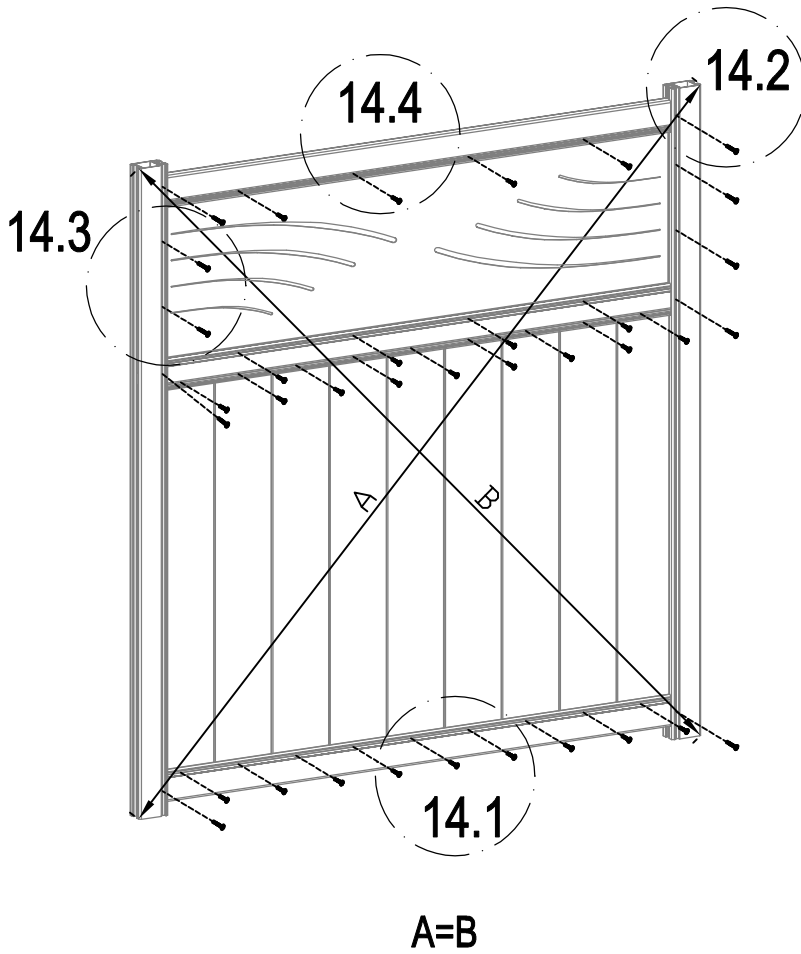




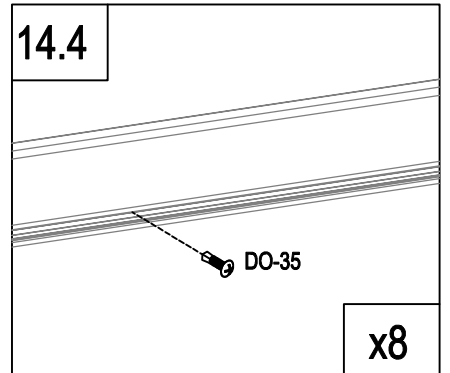
| | | |
|---|--------|---|
|  | DL-B10 | 1 |
|  | DL-B8 | 2 |
| | DL-A8a | 2 |

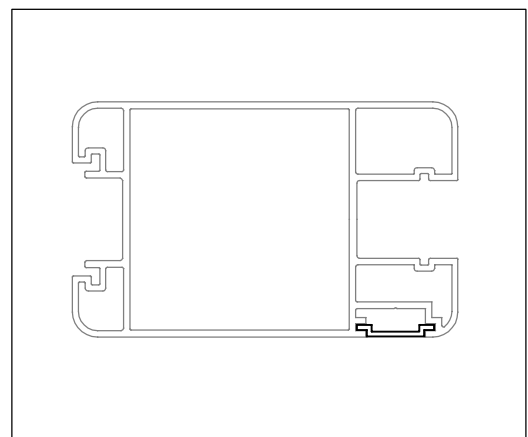
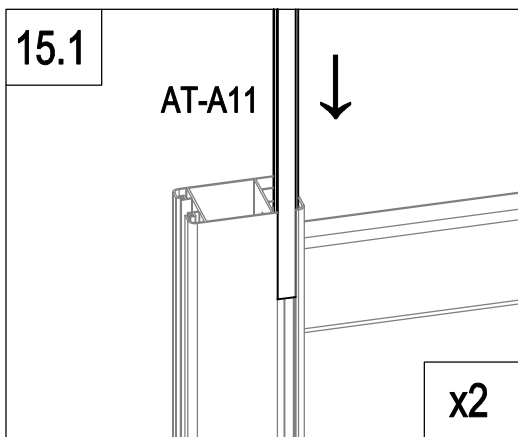
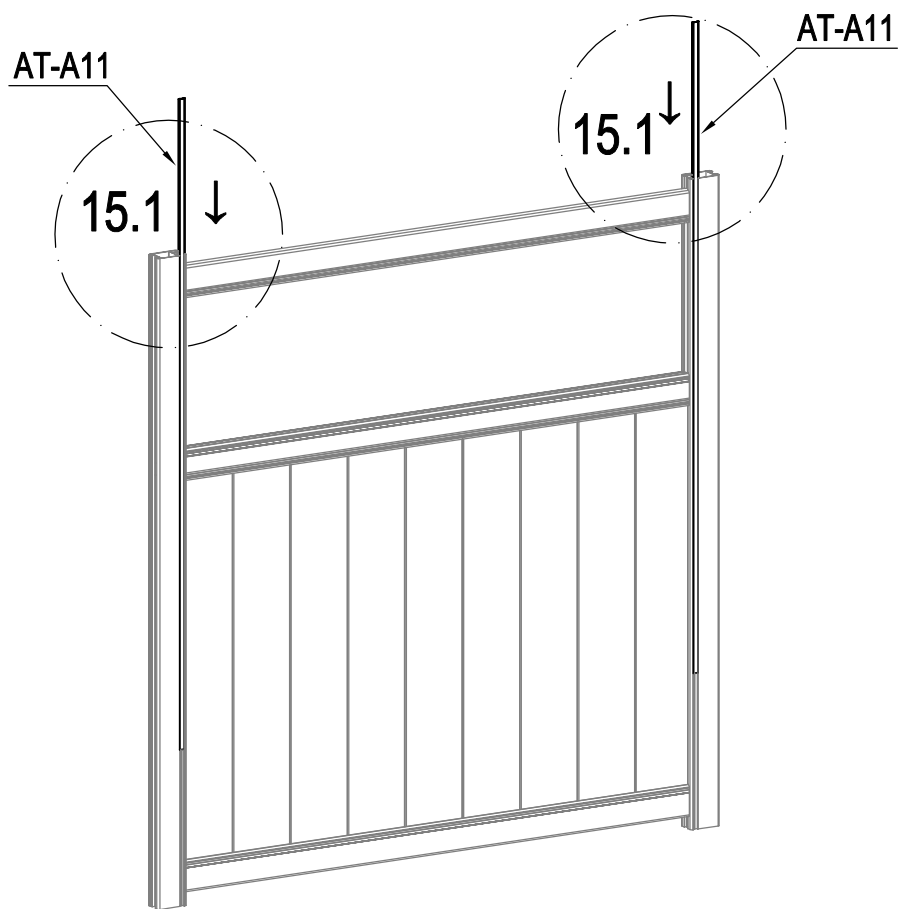


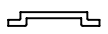
| | | |
|--|--------|---|
| | DO-B1a | 1 |
| | Dr-28 | 2 |
| | DO-28a | 1 |
| | DO-C31 | 6 |

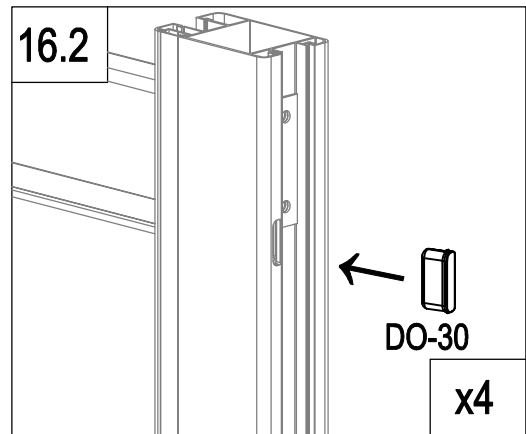
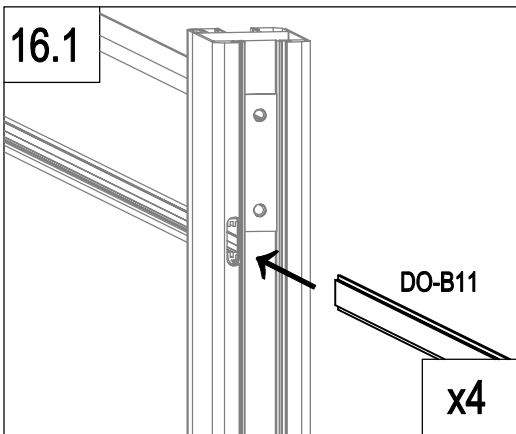
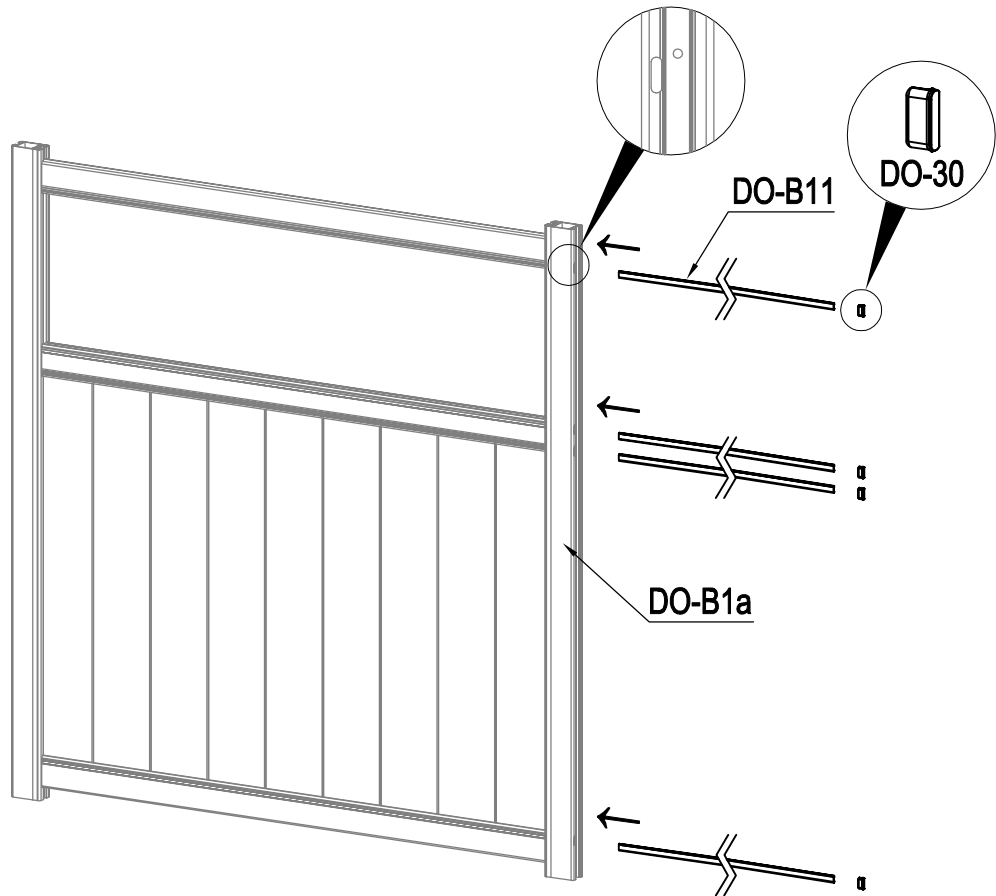


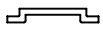

| | | |
|--|--------|----|
| | DO-32 | 4 |
| | DO-35 | 8 |
| | DO-C35 | 18 |
| | DO-C32 | 6 |

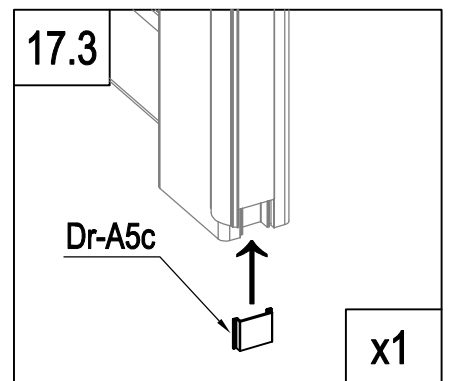
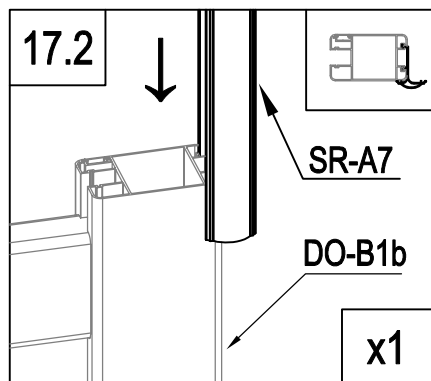
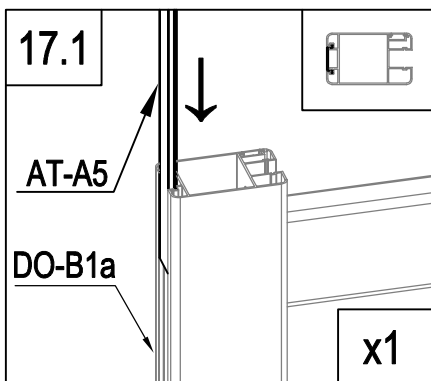
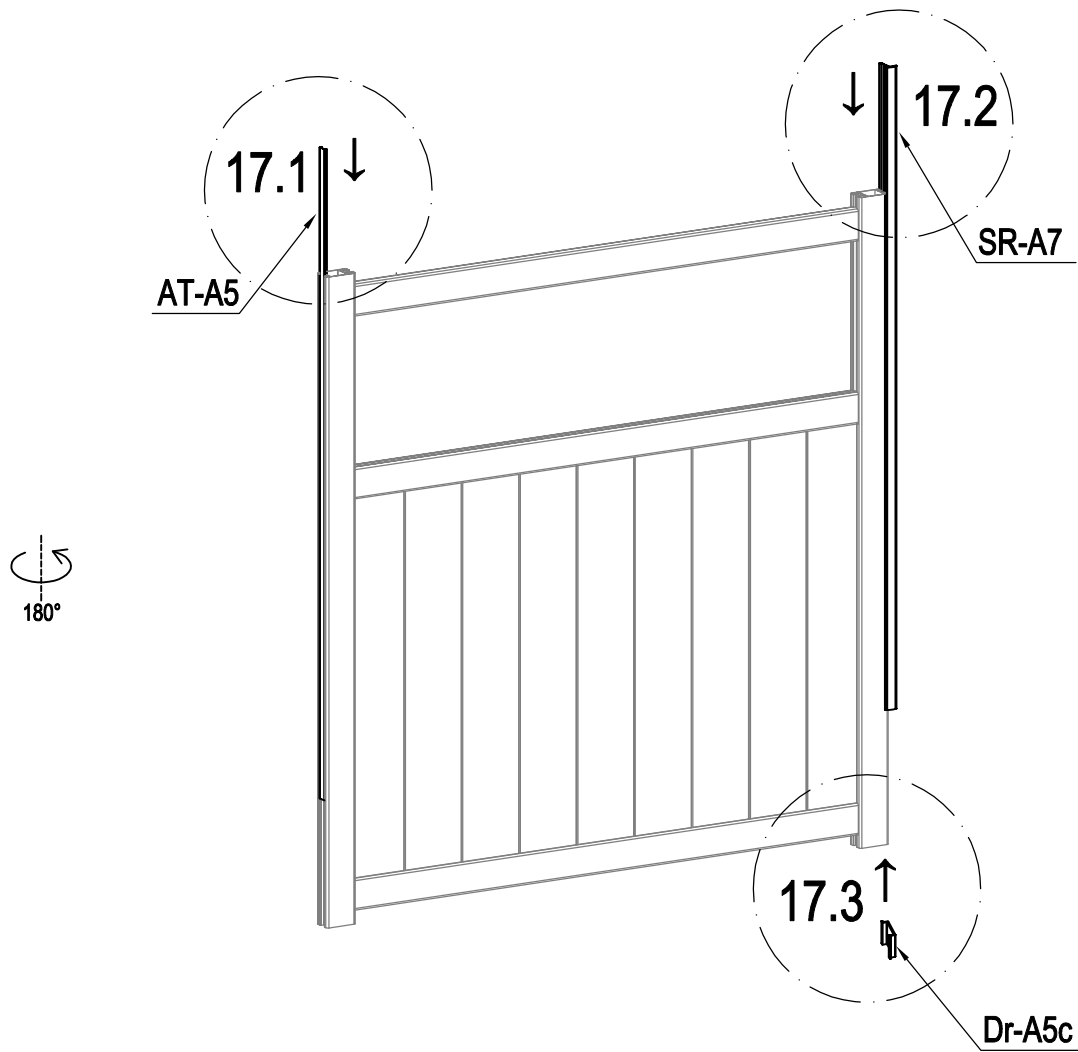



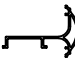


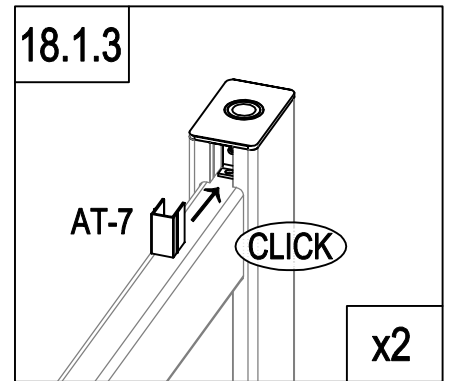
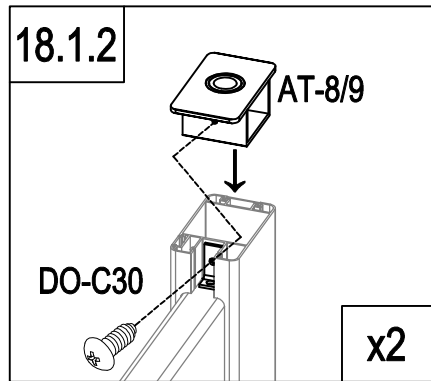
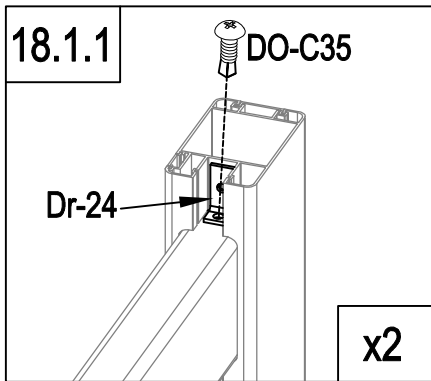
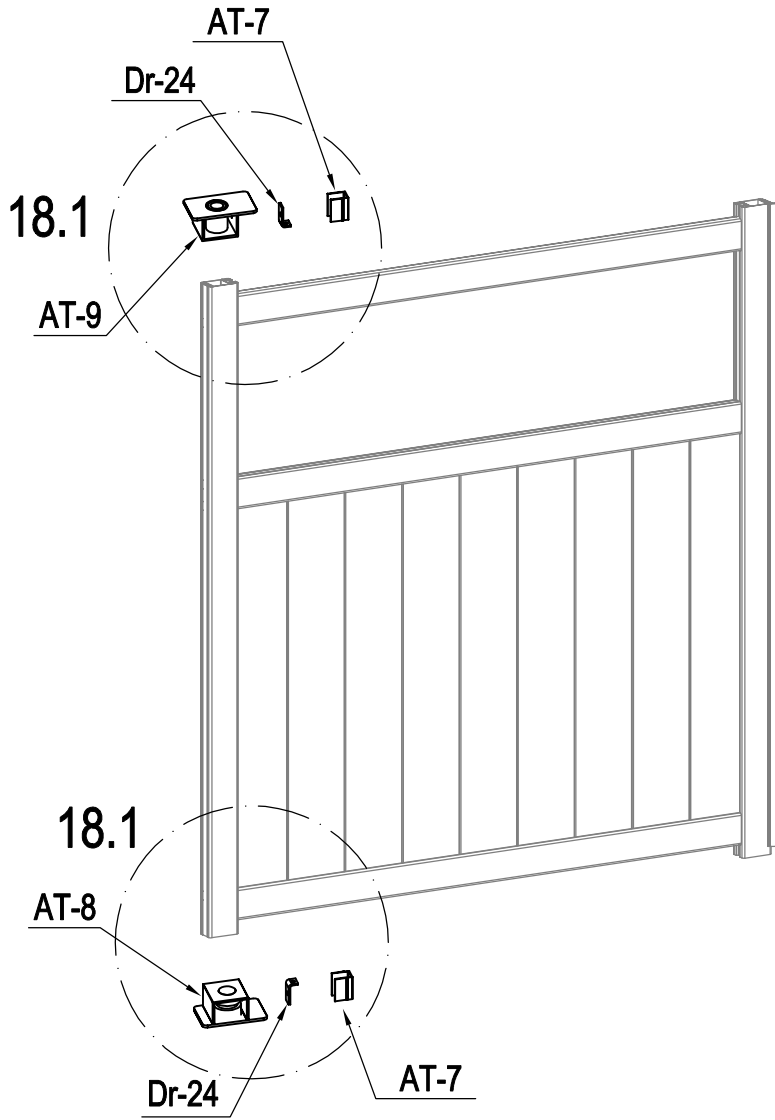
| | | |
|---|--------|---|
|  | AT-A11 | 2 |
|---|--------|---|



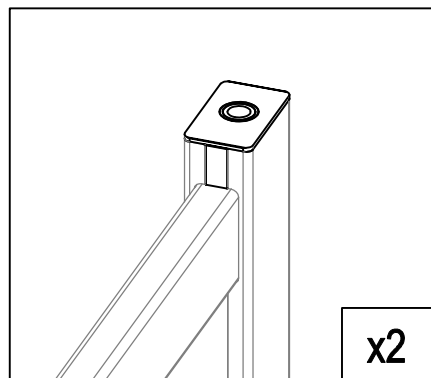
| | | |
|---|--------|---|
|  | DO-B11 | 4 |
|  | DO-30 | 4 |



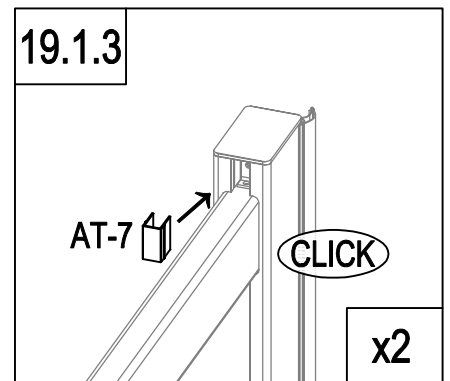
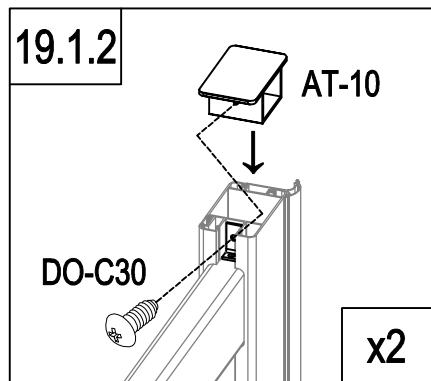
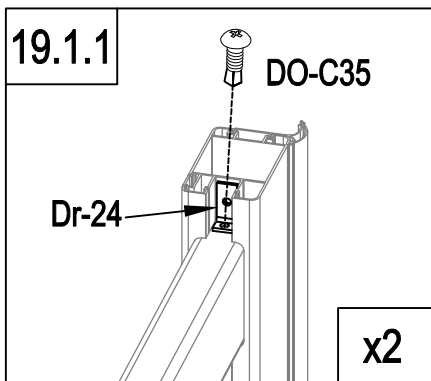
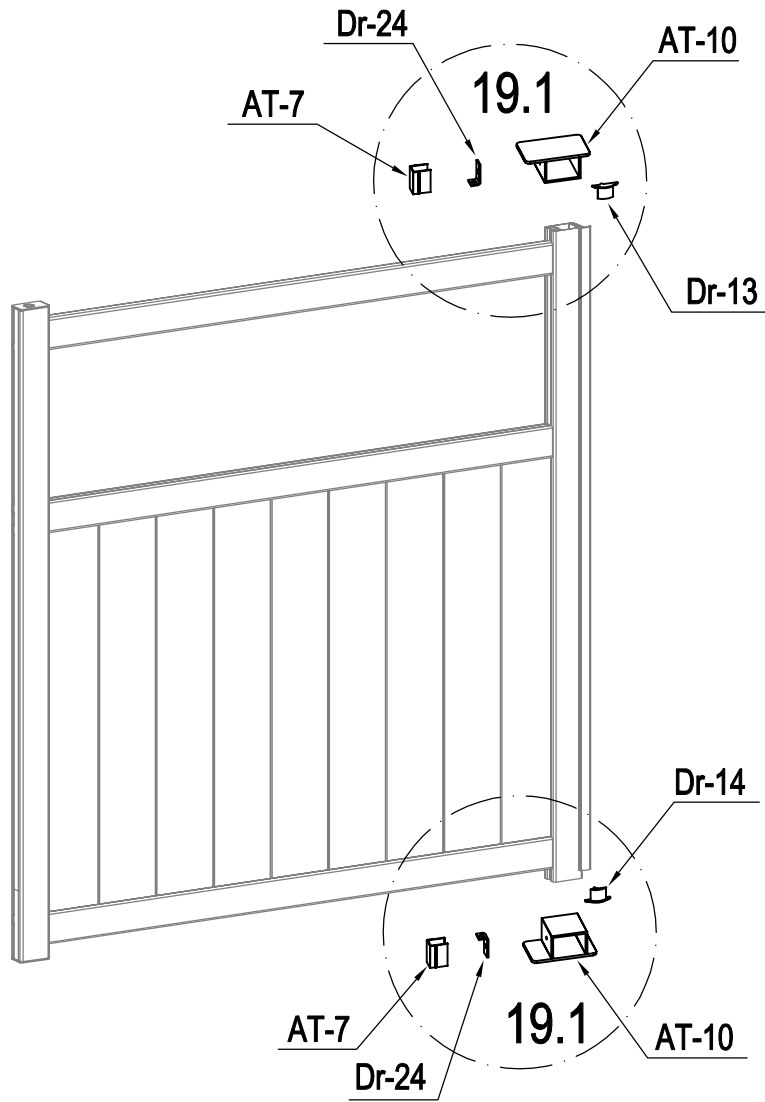
| | | |
|---|--------|---|
|  | AT-A5 | 1 |
| | Dr-A5c | 1 |
|  | SR-A7 | 1 |



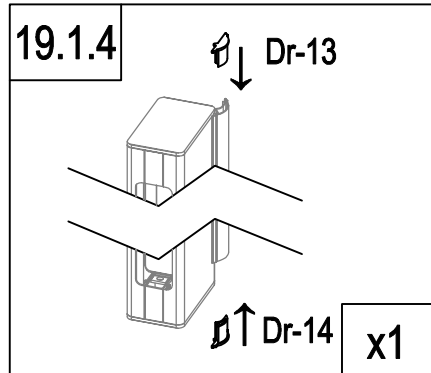
| | | |
|--|-------|---|
| | AT-8 | 1 |
| | AT-9 | 1 |
| | Dr-24 | 2 |



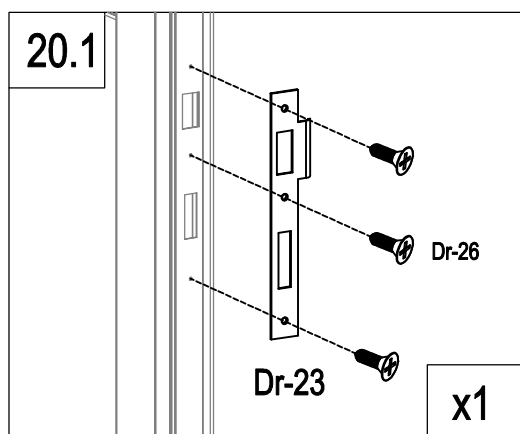
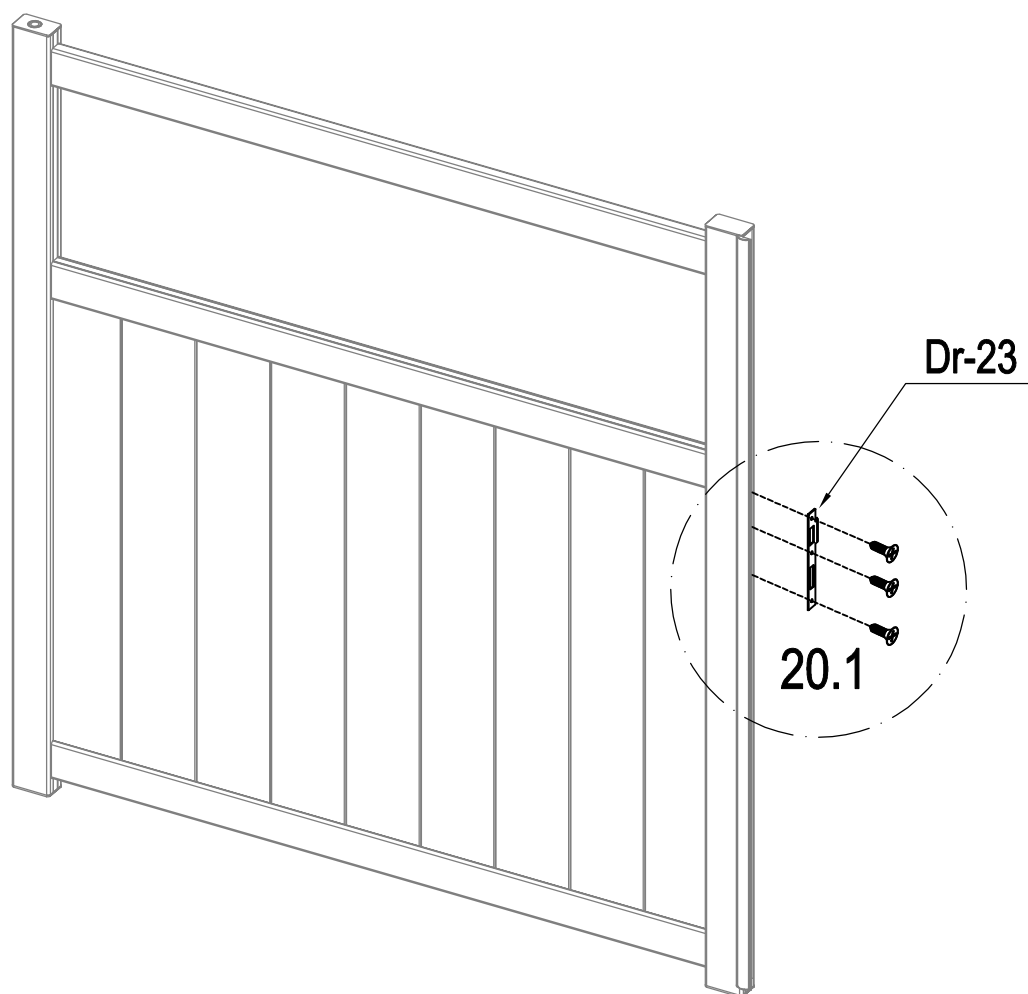
| | | |
|--|--------|---|
| | AT-7 | 2 |
| | DO-C30 | 2 |
| | DO-C35 | 2 |



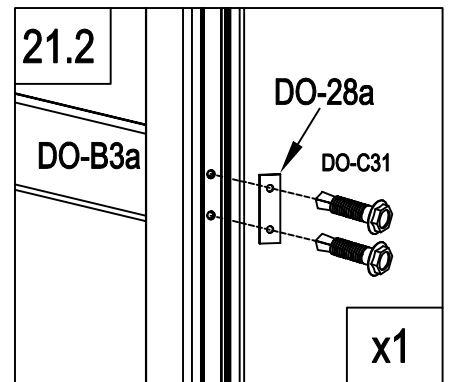
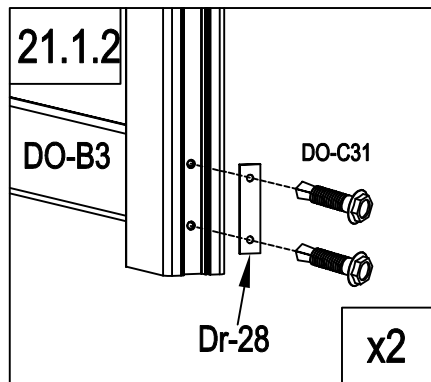
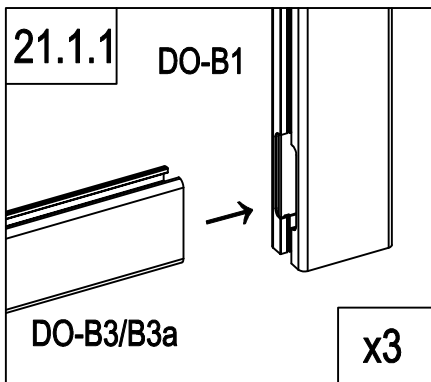
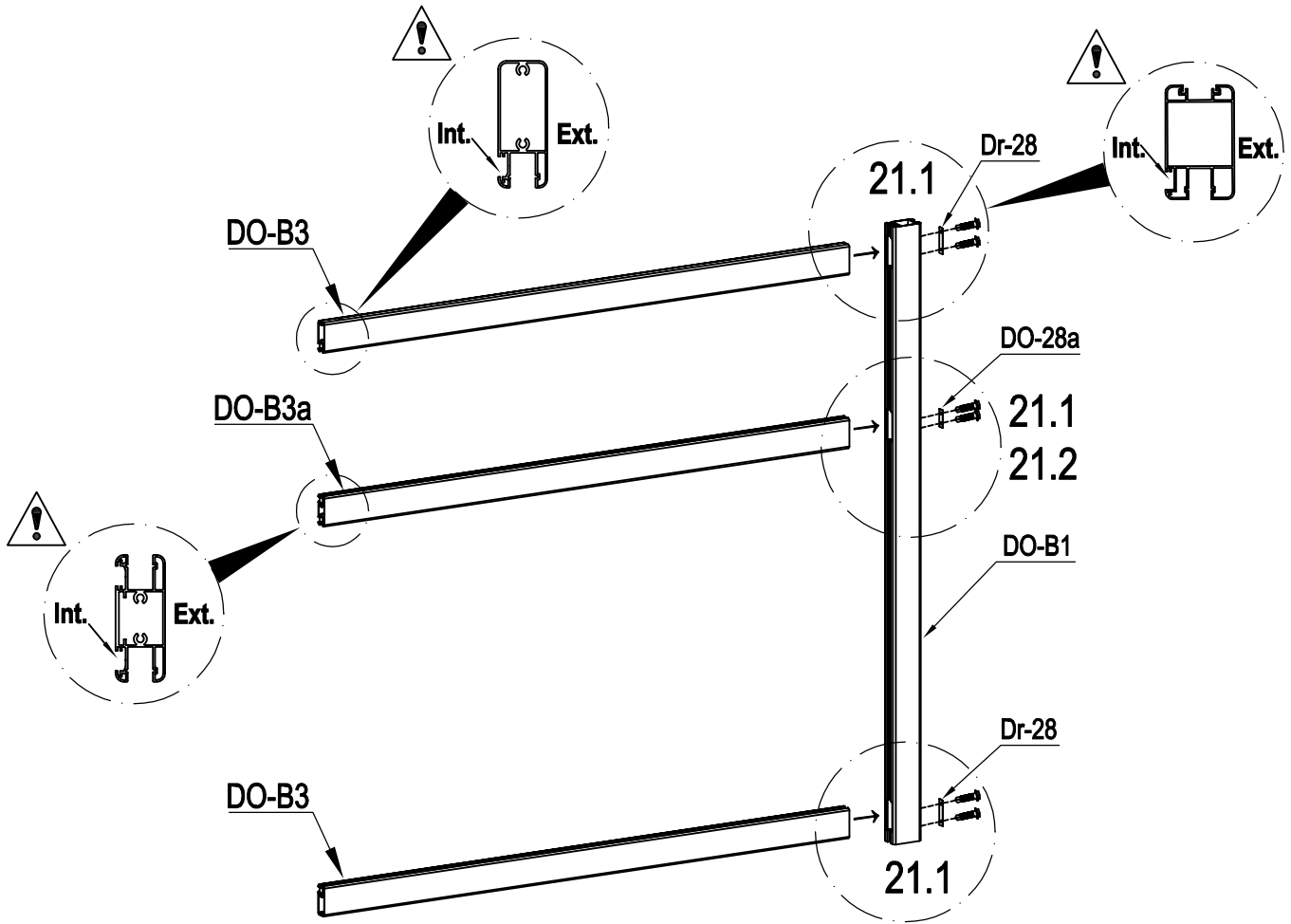
| | | |
|--|-------|---|
| | AT-10 | 2 |
| | Dr-24 | 2 |
| | AT-7 | 2 |
| | Dr-13 | 1 |



| | | |
|--|--------|---|
| | Dr-14 | 1 |
| | DO-C30 | 2 |
| | DO-C35 | 2 |

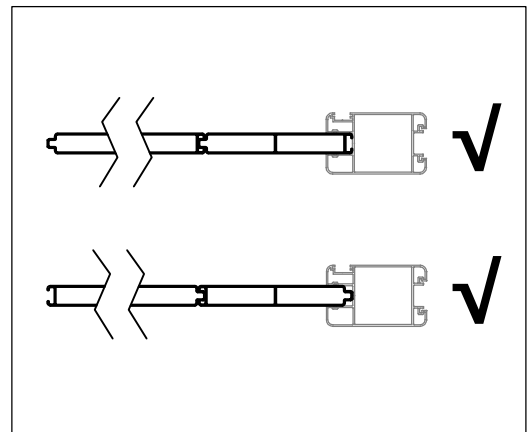
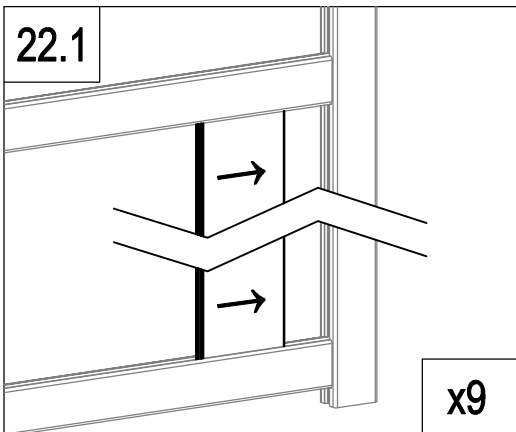
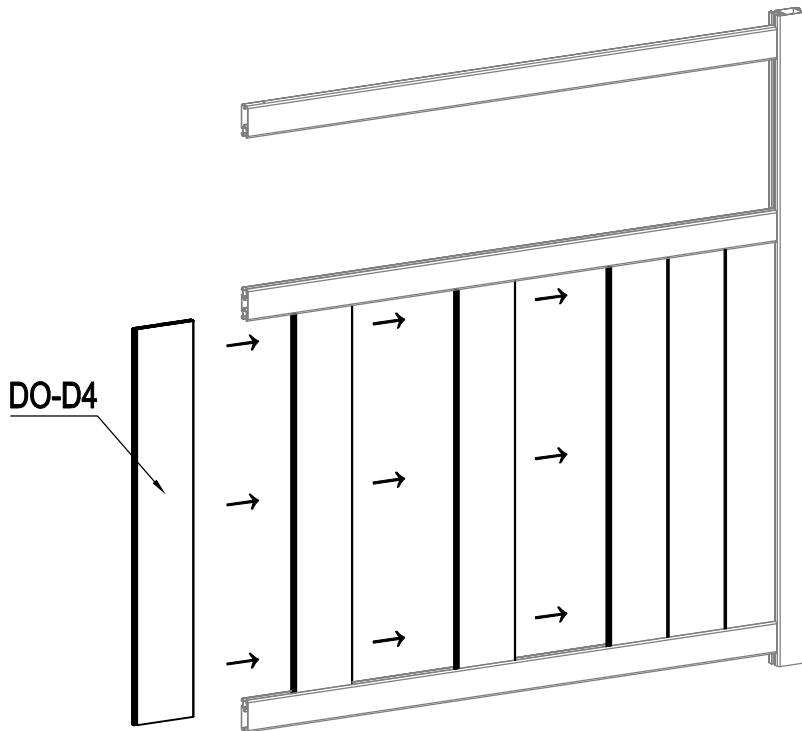


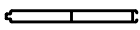
| | | |
|--|-------|---|
| | Dr-23 | 1 |
| | Dr-26 | 3 |

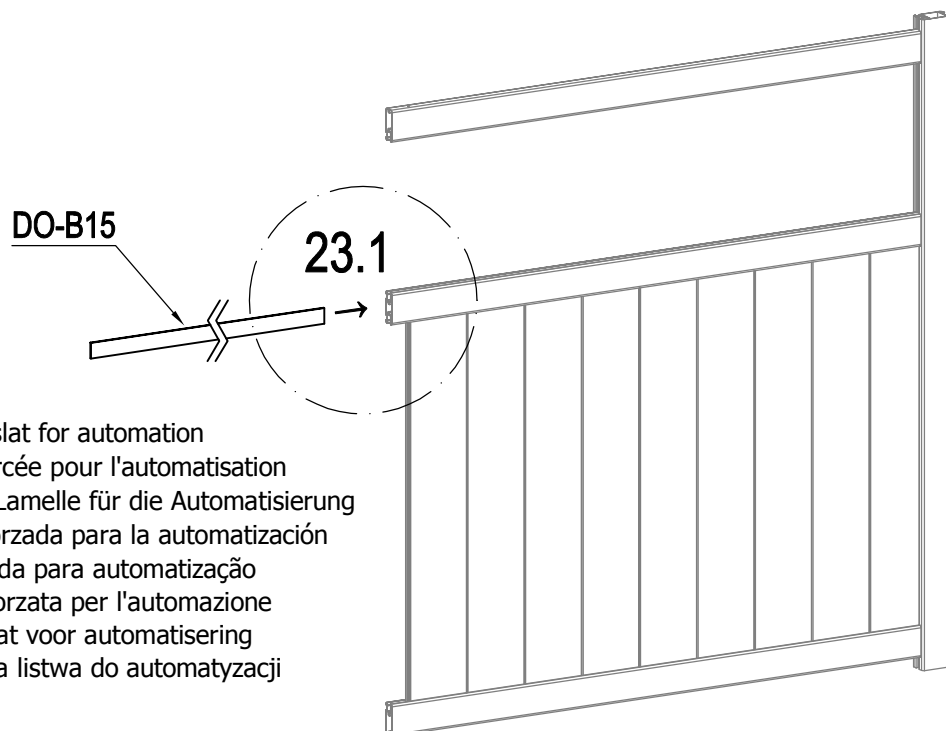


| | | |
|--|--------|---|
| | DO-B1 | 1 |
| | DO-B3 | 2 |
| | DO-B3a | 1 |

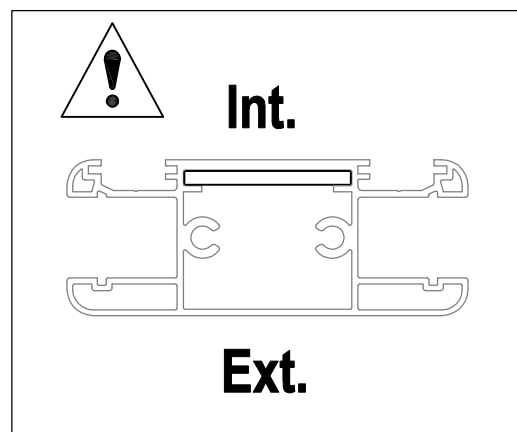
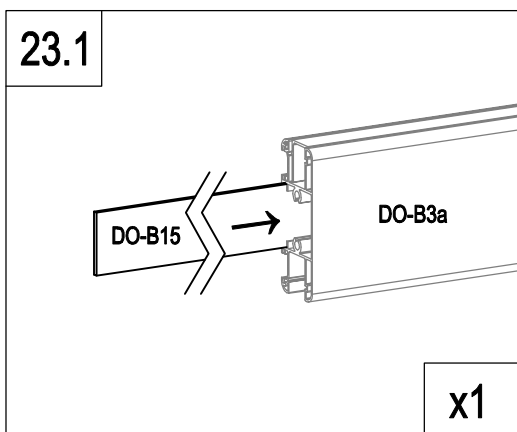
| | | |
|--|--------|---|
| | Dr-28 | 2 |
| | DO-28a | 1 |
| | DO-C31 | 6 |




| | | |
|---|-------|---|
|  | DO-D4 | 9 |
|---|-------|---|

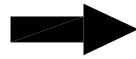
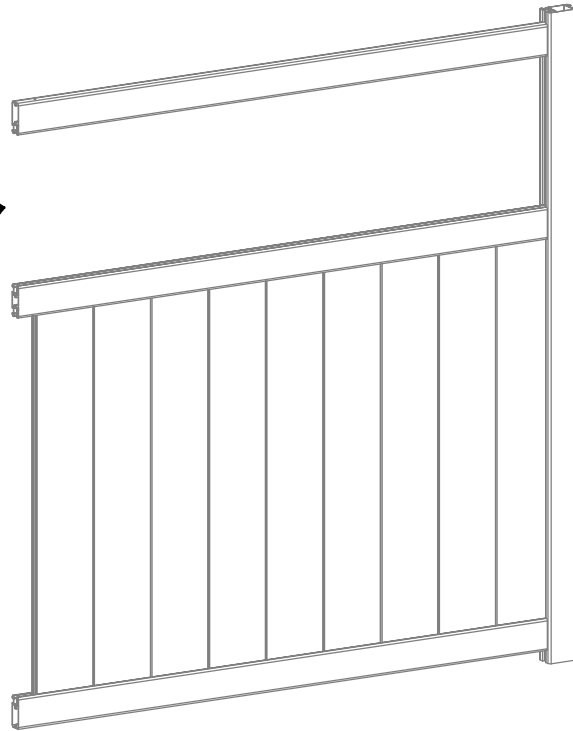


- EN: reinforced slat for automation
- FR : lame renforcée pour l'automatisation
- DE : verstärkte Lamelle für die Automatisierung
- ES: Lámina reforzada para la automatización
- PT: ripa reforçada para automatização
- IT: lamella rinforzata per l'automazione
- NL: versterkte lat voor automatisering
- PL: wzmocniona listwa do automatyzacji

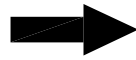


| | | |
|---|--------|---|
|  | DO-B15 | 1 |
|---|--------|---|

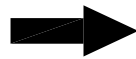
Optional Kit →



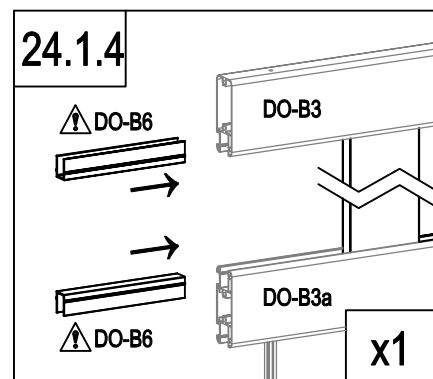
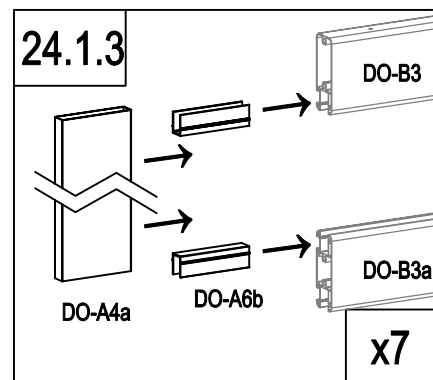
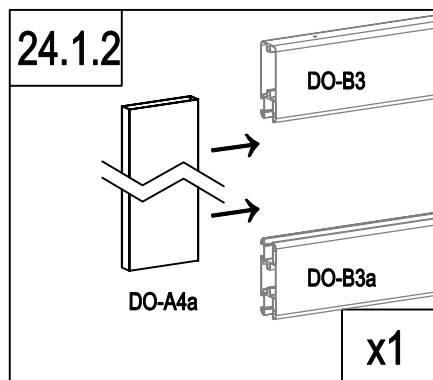
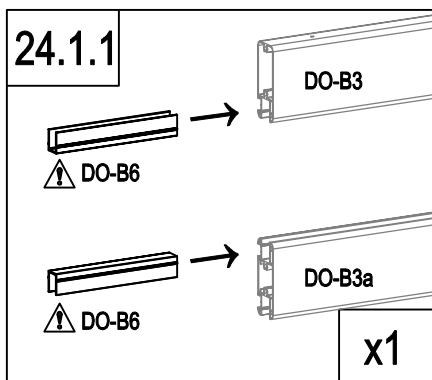
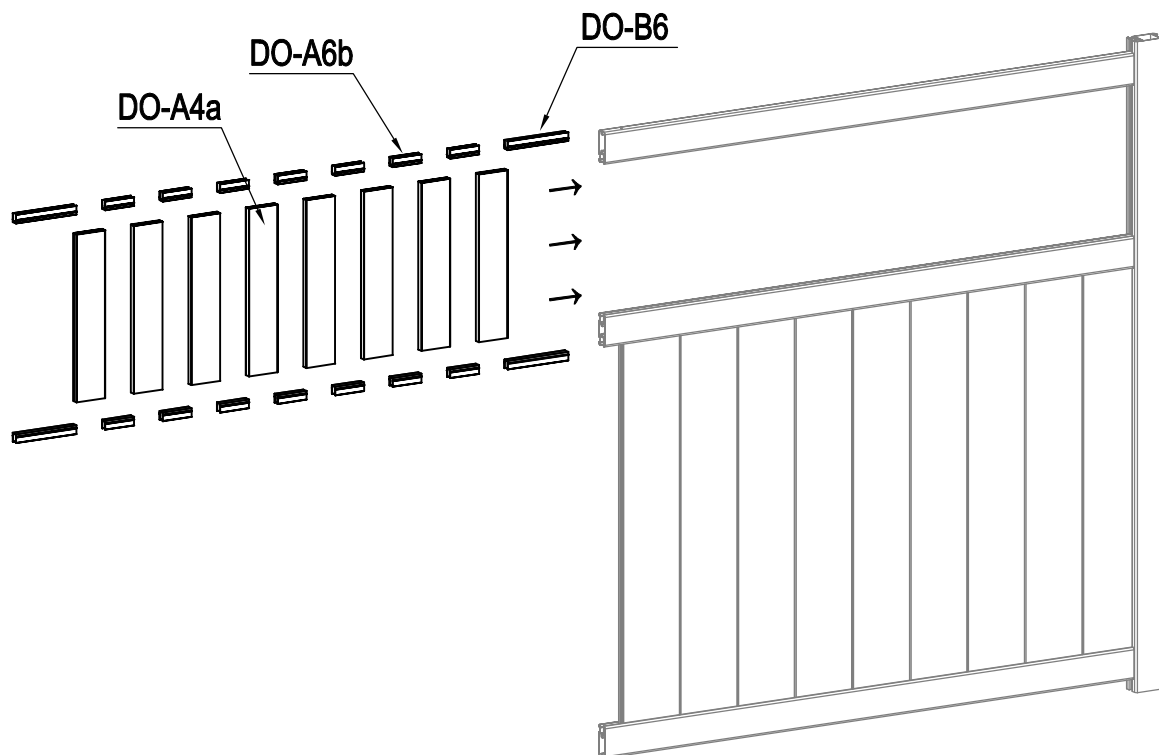
P 26~29



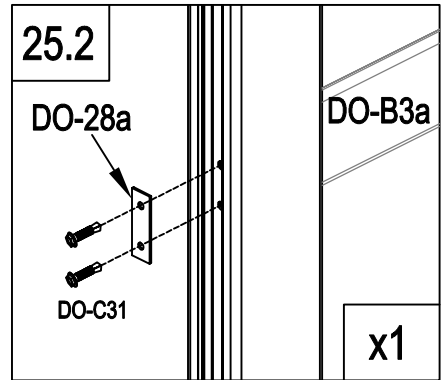
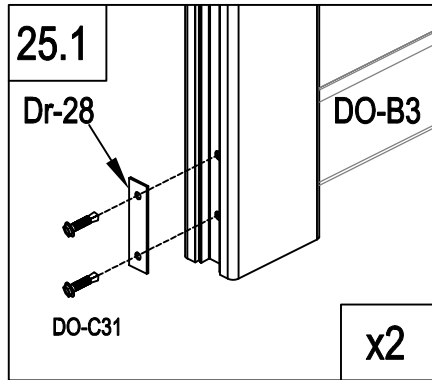
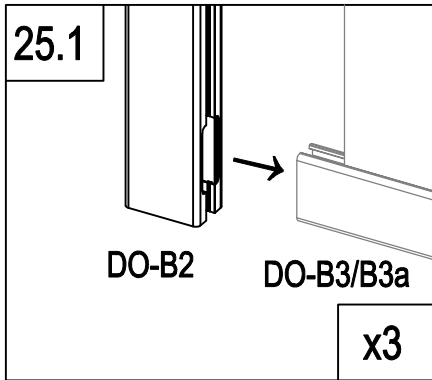
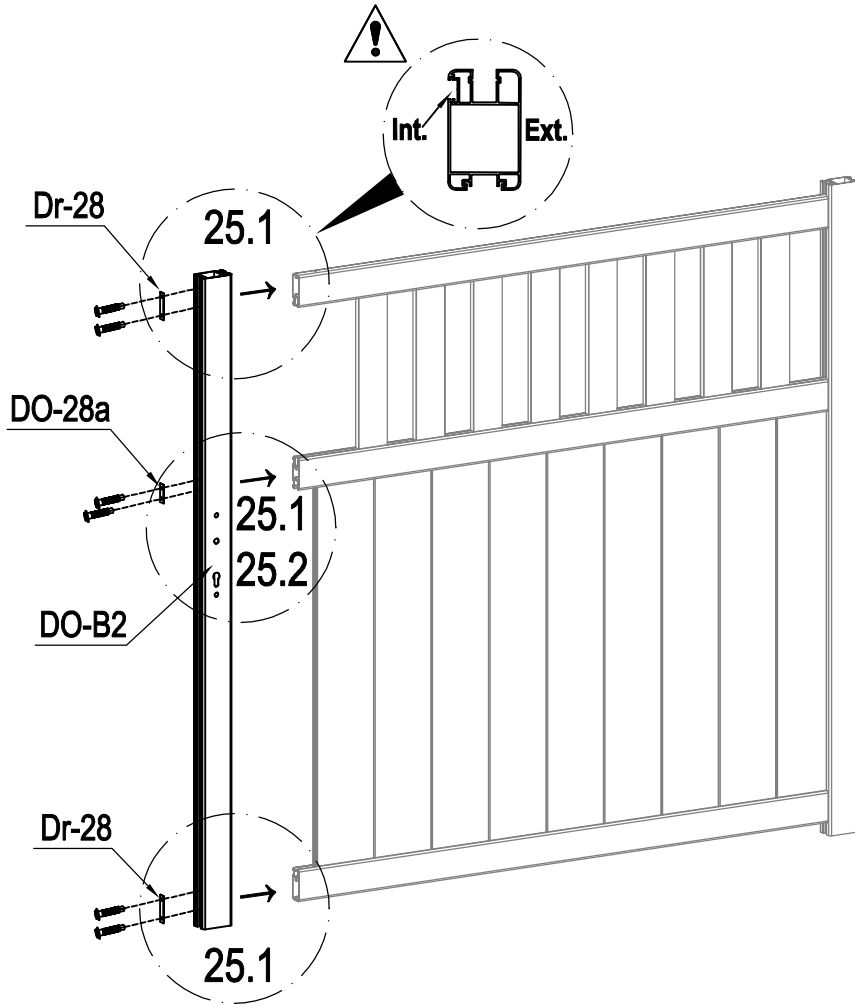
P 30~33



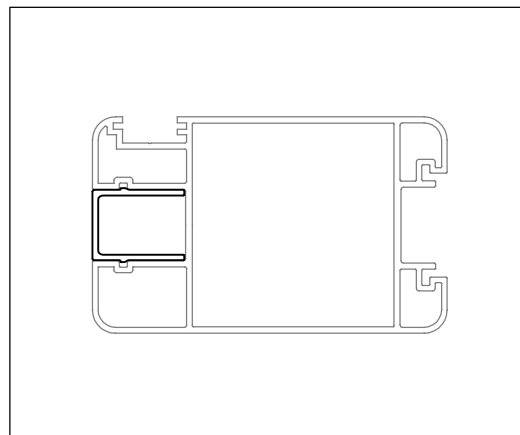
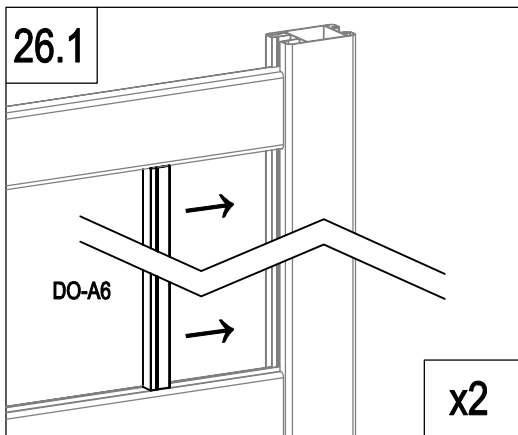
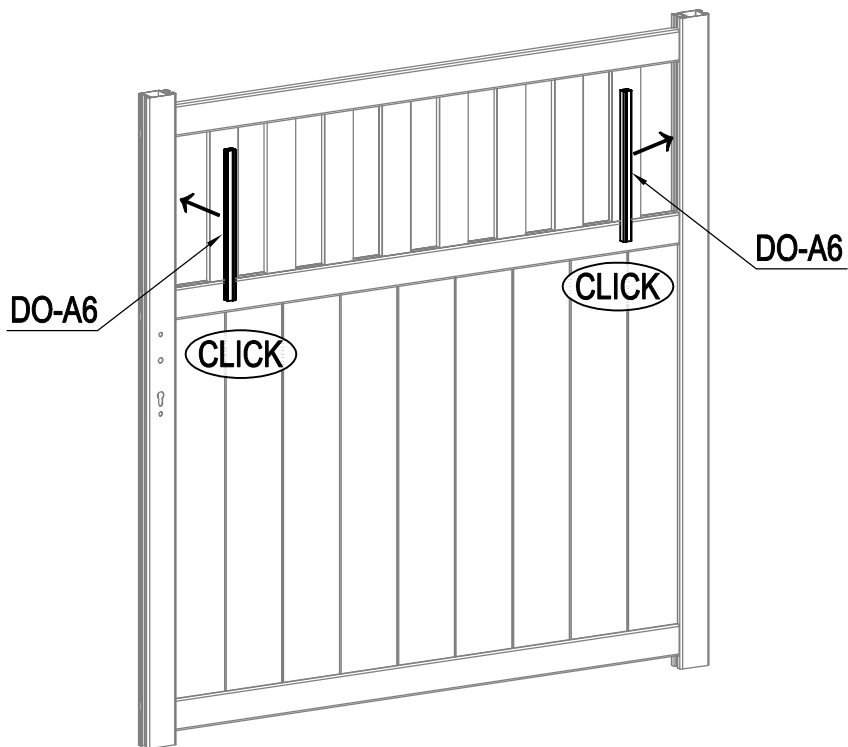
P 34~36



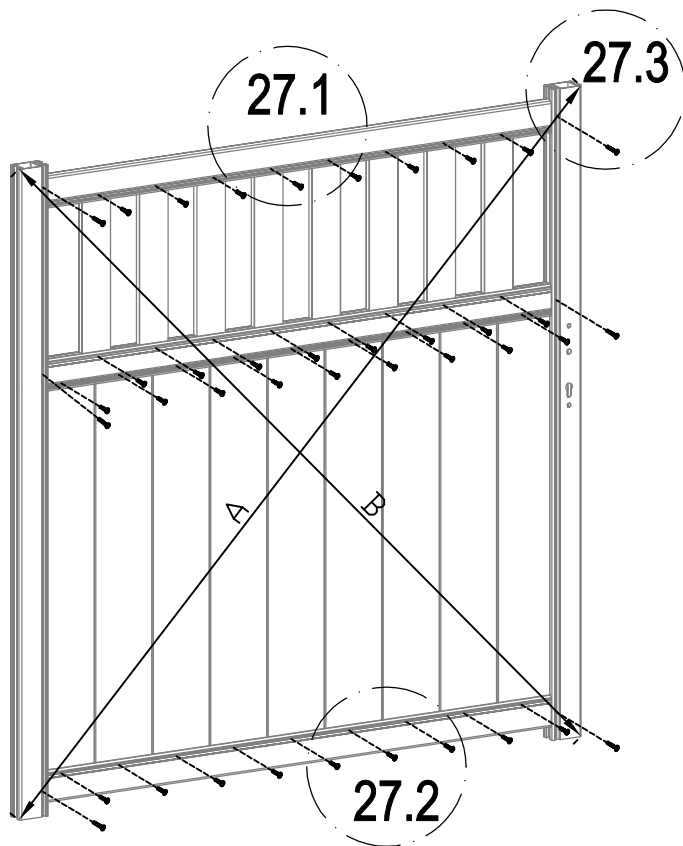
| | | | |
|--|--------|--------|----|
| | DO-A4a | 406mm | 8 |
| | DO-B6 | 163mm | 4 |
| | DO-A6b | 77.5mm | 14 |



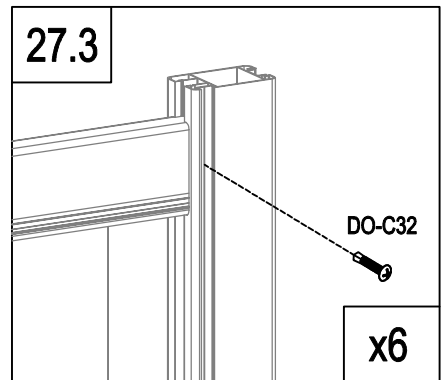
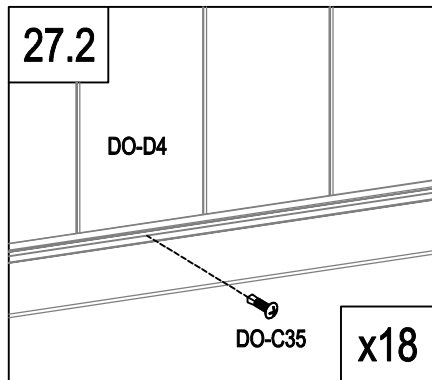
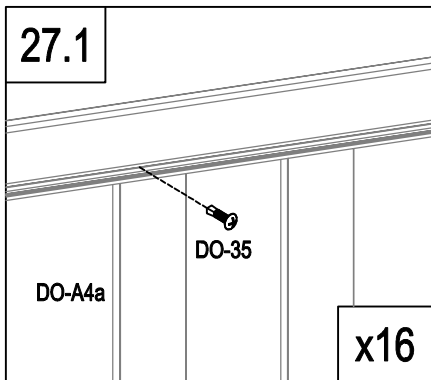
| | | |
|--|--------|---|
| | DO-B2 | 1 |
| | Dr-28 | 2 |
| | DO-28a | 1 |
| | DO-C31 | 6 |



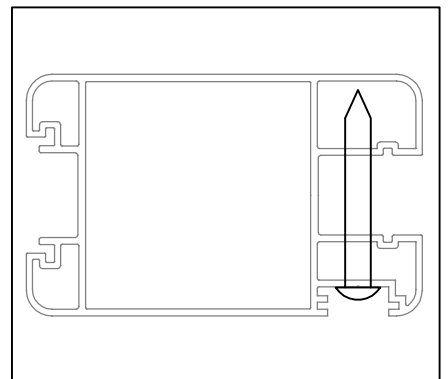
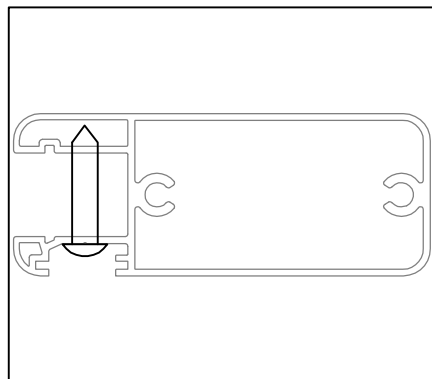
| | | |
|--|-------|---|
| | DO-A6 | 2 |
|--|-------|---|

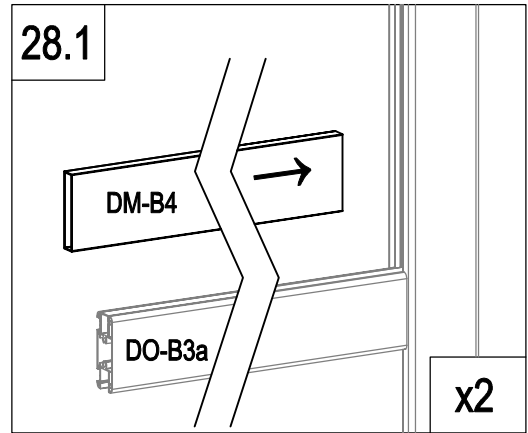
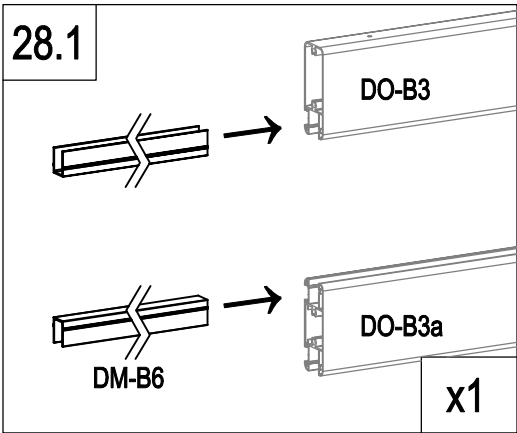
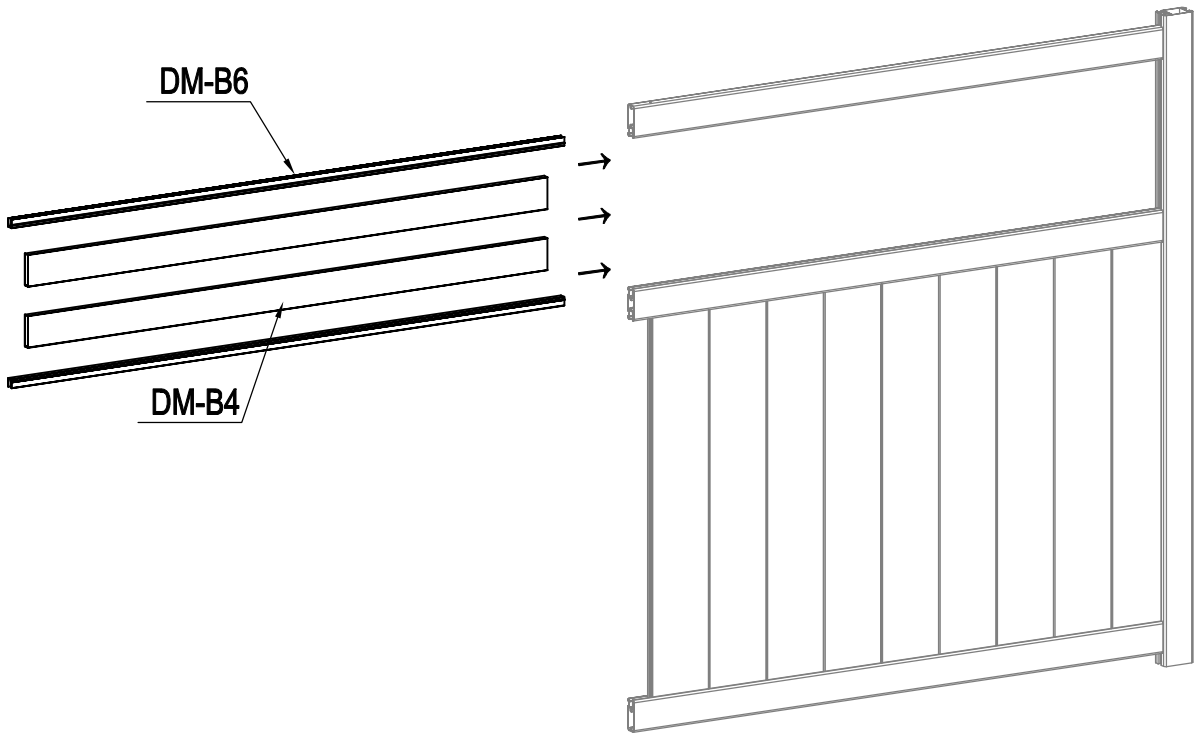


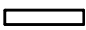

⚠ A=B

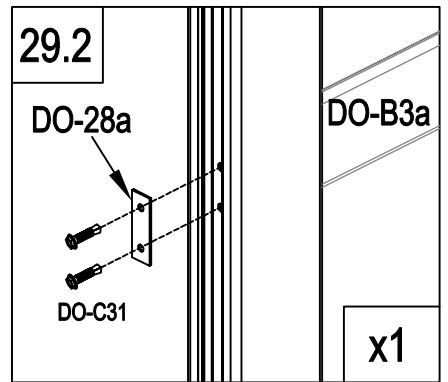
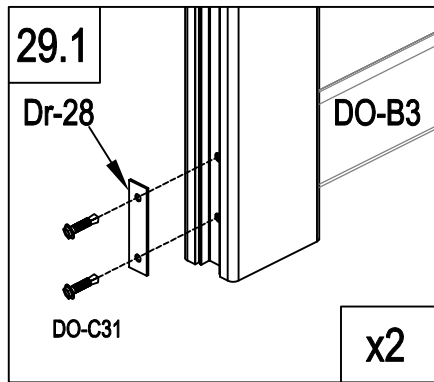
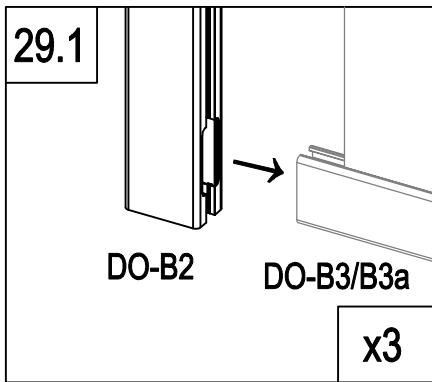
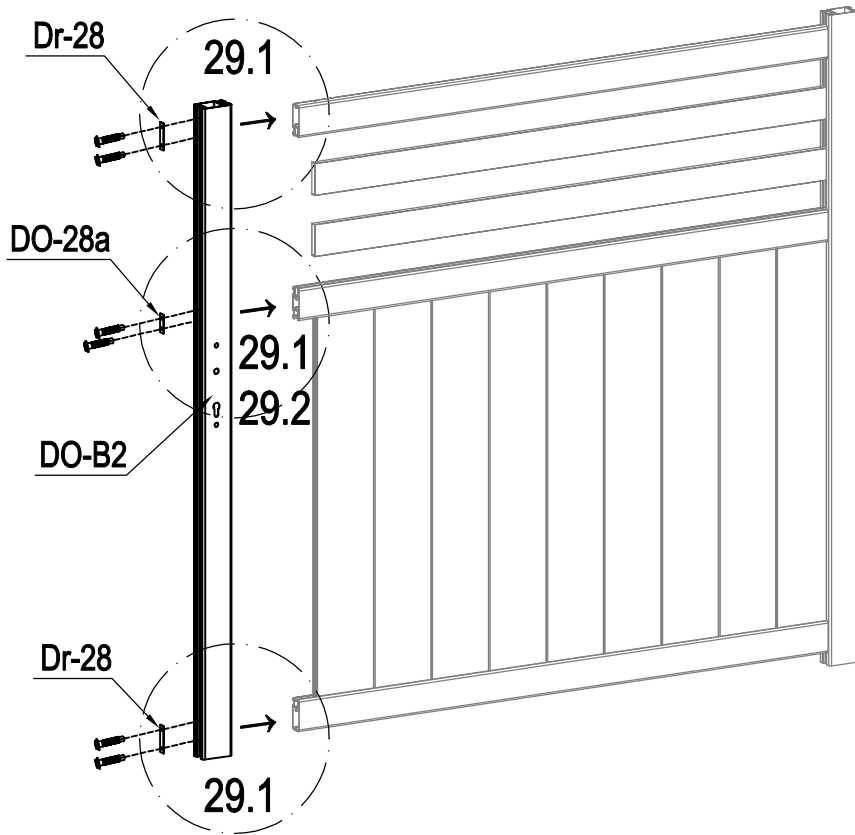


| | | |
|--|--------|----|
| | DO-35 | 16 |
| | DO-C35 | 18 |
| | DO-C32 | 6 |

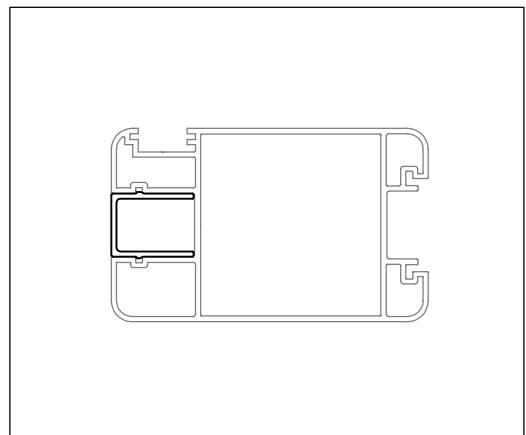
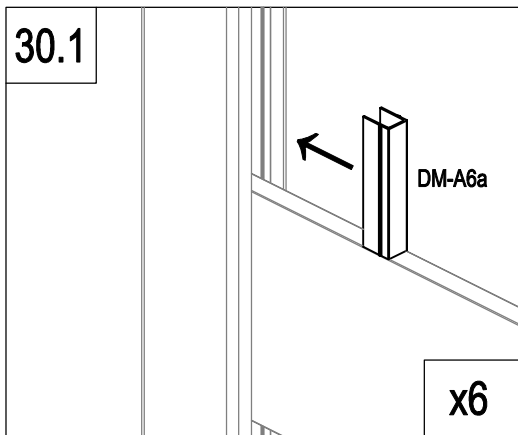
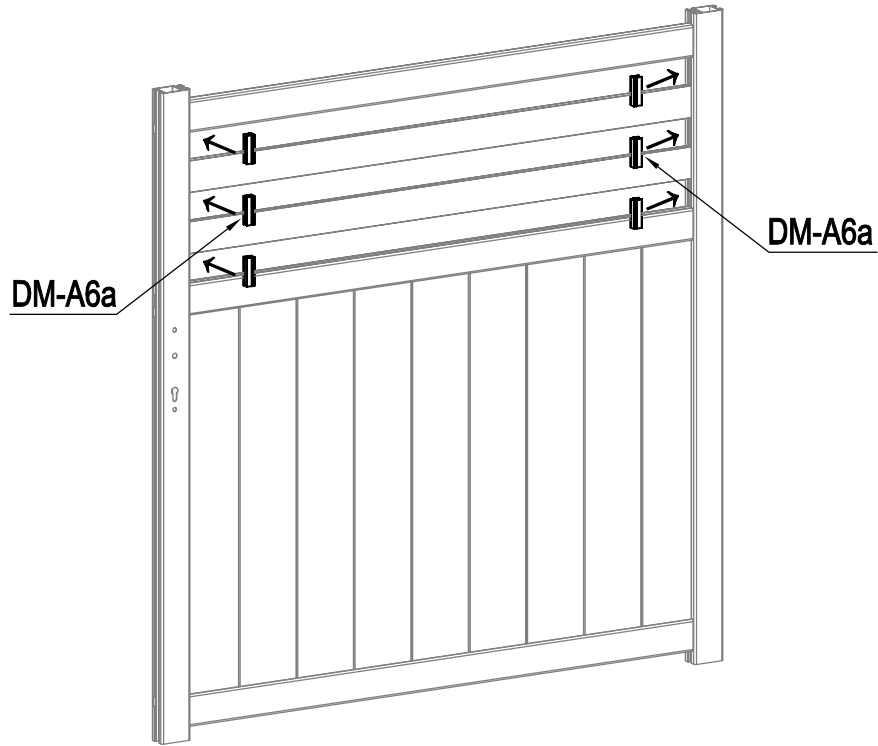




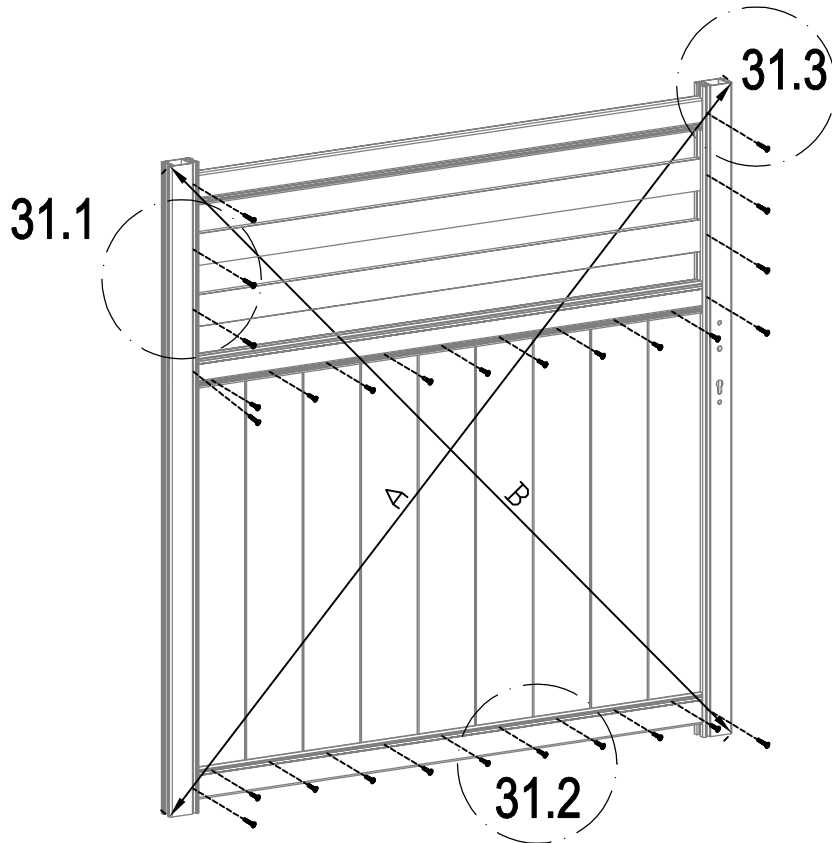
| | | |
|---|-------|---|
|  | DM-B4 | 2 |
|  | DM-B6 | 2 |



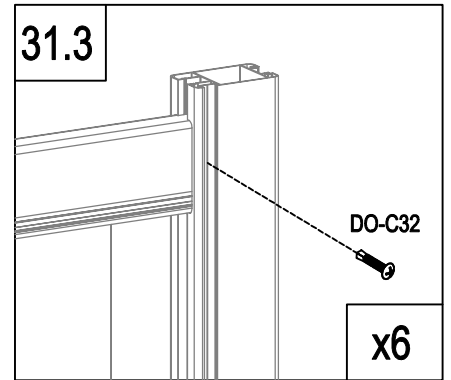
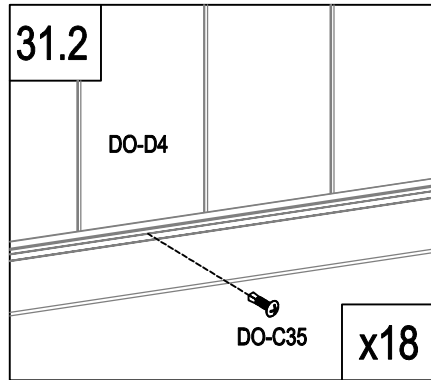
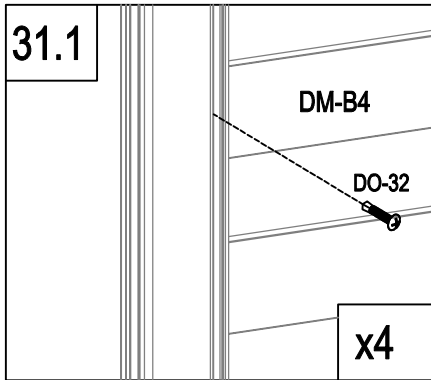
| | | |
|--|--------|---|
| | DO-B2 | 1 |
| | Dr-28 | 2 |
| | DO-28a | 1 |
| | DO-C31 | 6 |



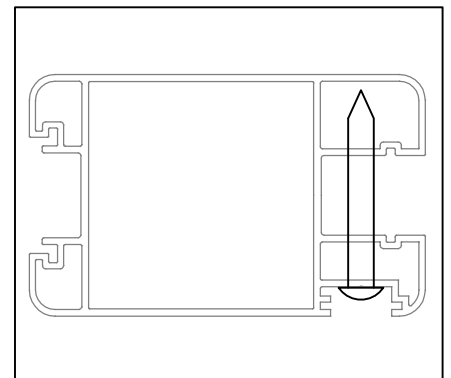
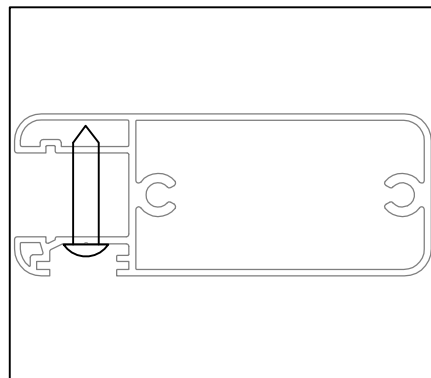
| | | |
|--|--------|---|
| | DM-A6a | 6 |
|--|--------|---|

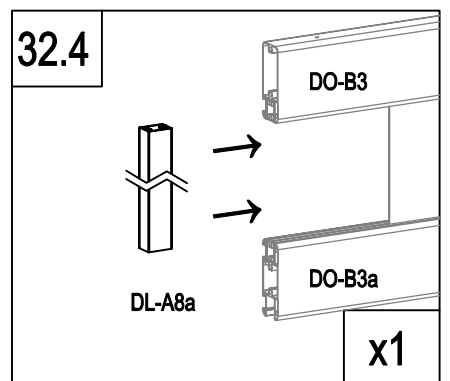
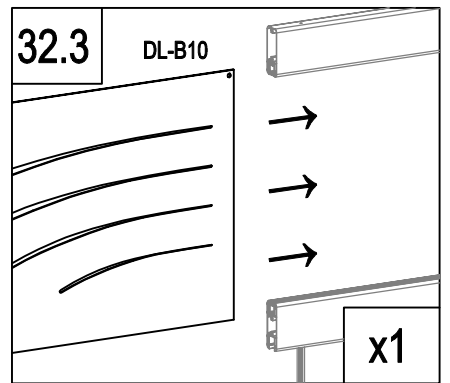
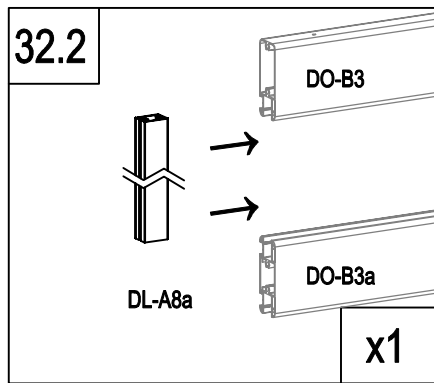
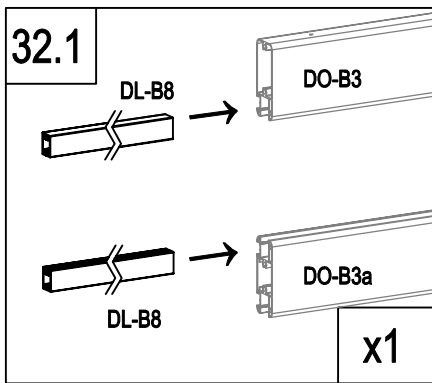
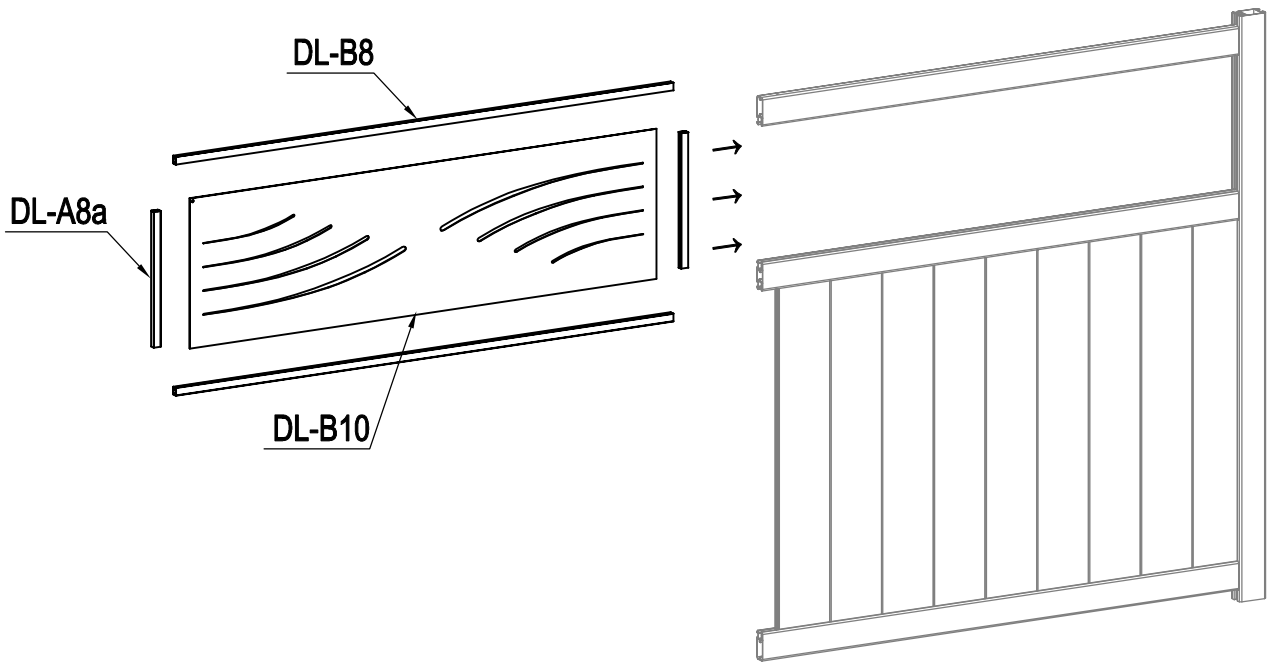


A=B

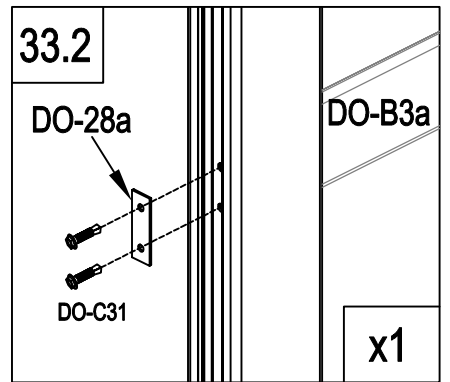
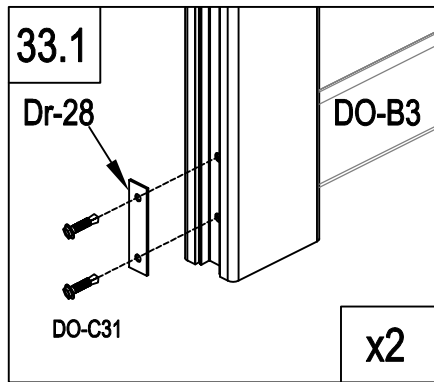
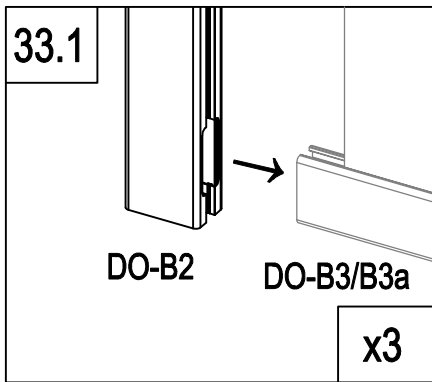
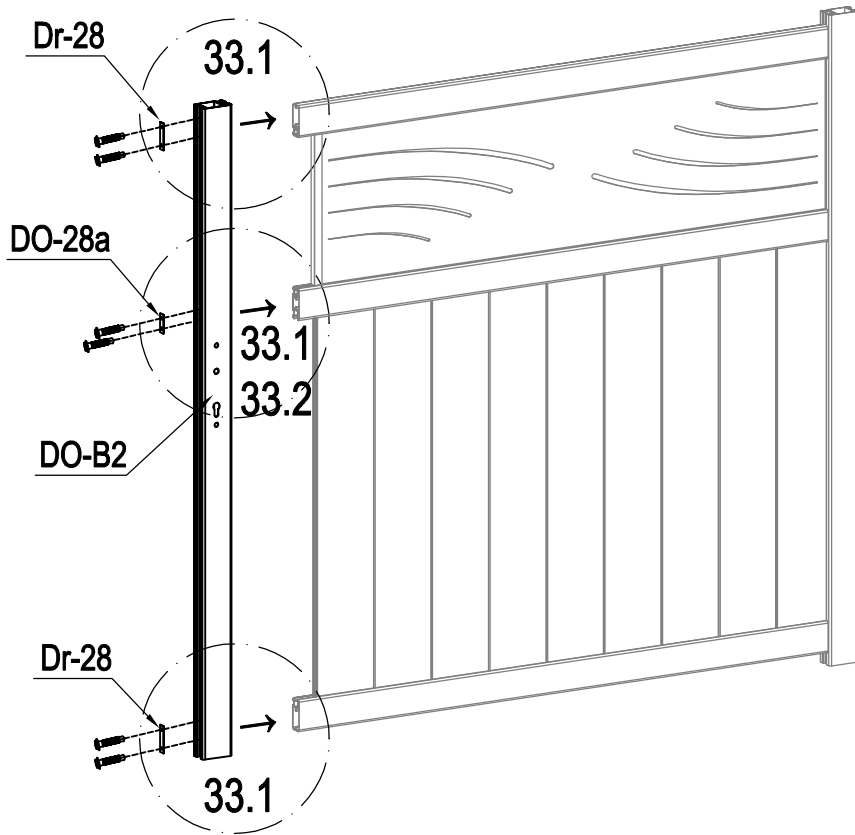


| | | |
|--|--------|----|
| | DO-32 | 4 |
| | DO-C35 | 18 |
| | DO-C32 | 6 |

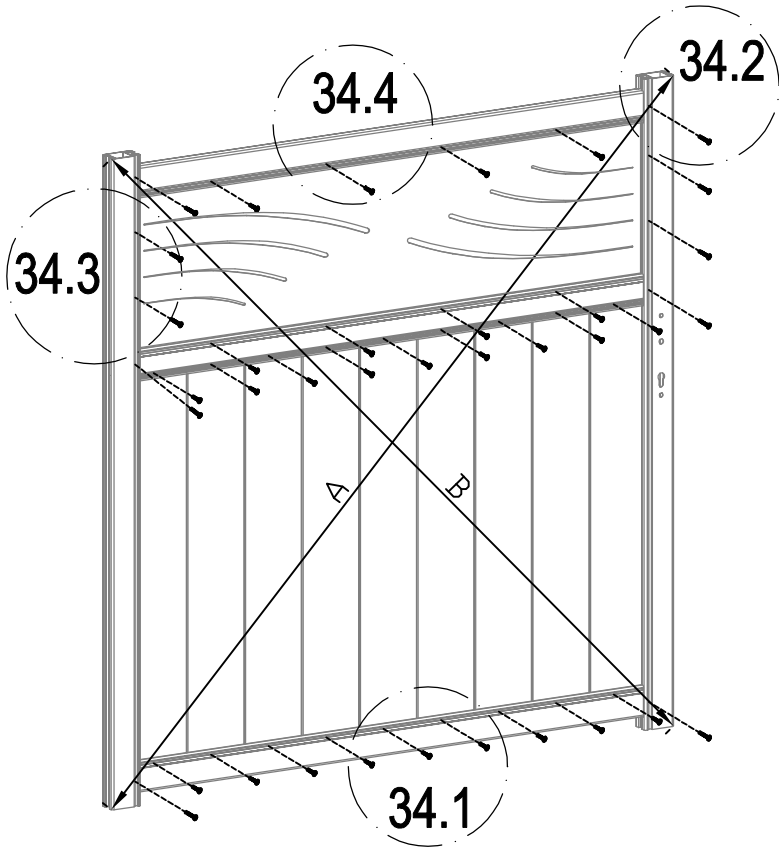




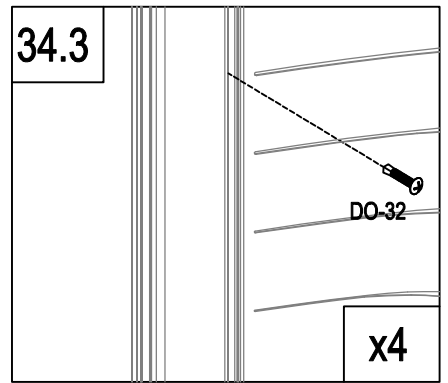
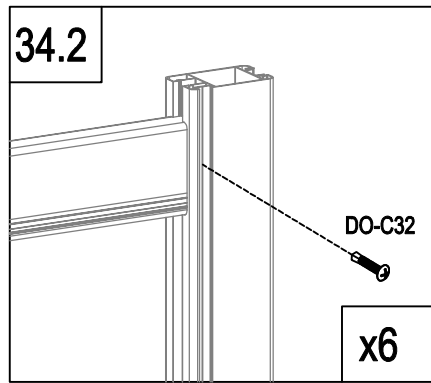
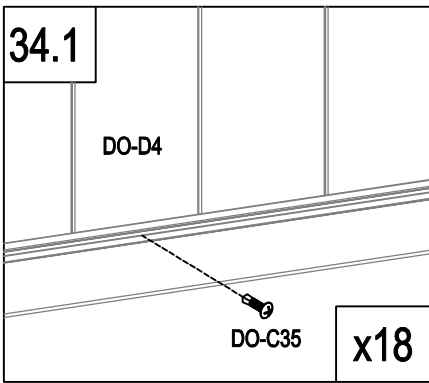
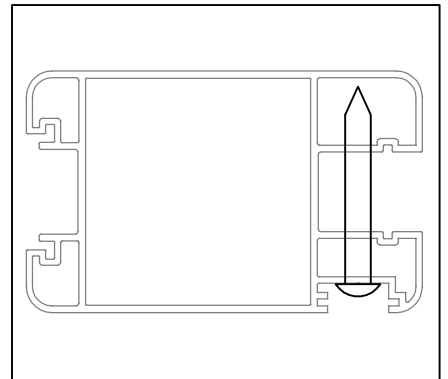
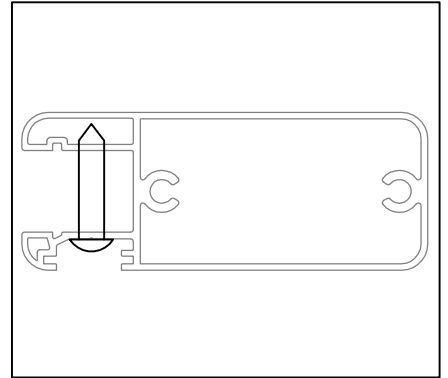
| | | |
|--|--------|---|
| | DL-B10 | 1 |
| | DL-B8 | 2 |
| | DL-A8a | 2 |



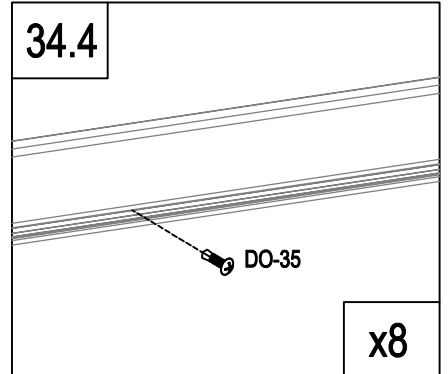
| | | |
|--|--------|---|
| | DO-B2 | 1 |
| | Dr-28 | 2 |
| | DO-28a | 1 |
| | DO-C31 | 6 |

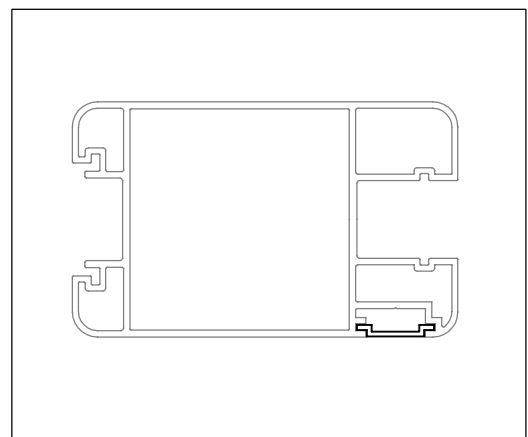
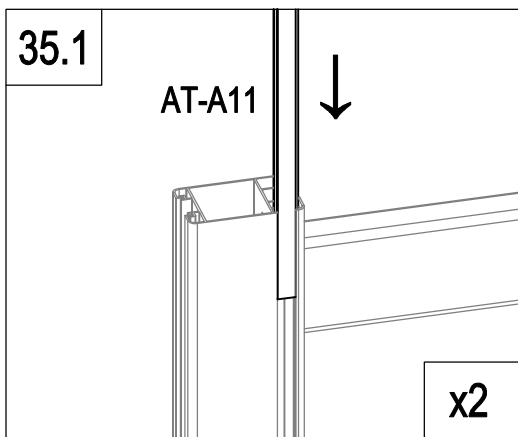
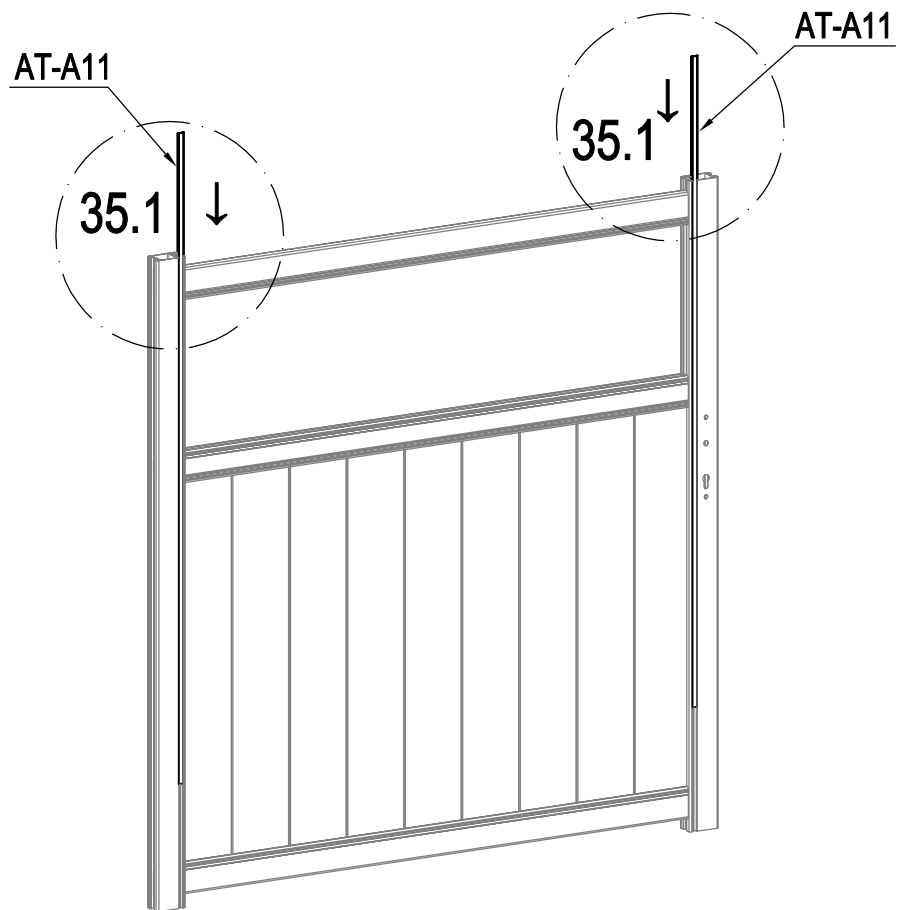


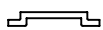
A=B

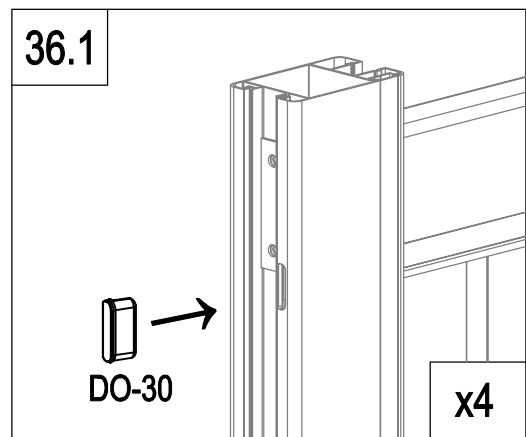
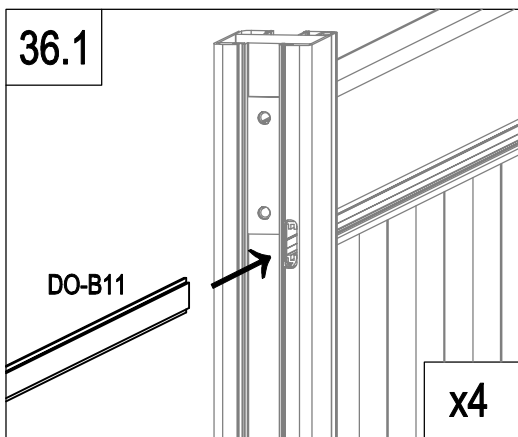
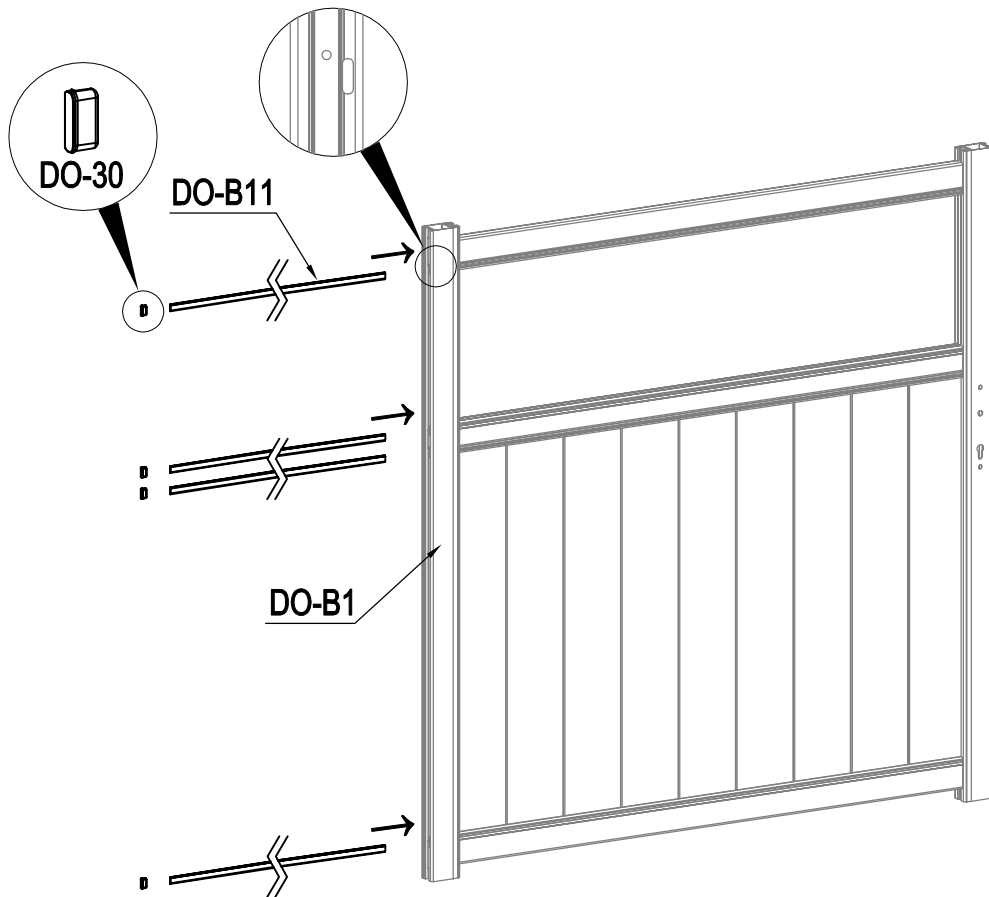


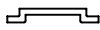

| | | |
|--|--------|----|
| | DO-32 | 4 |
| | DO-35 | 8 |
| | DO-C35 | 18 |
| | DO-C32 | 6 |

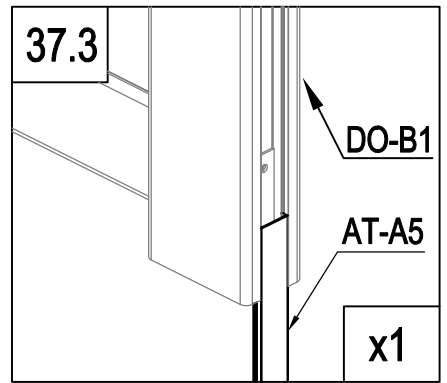
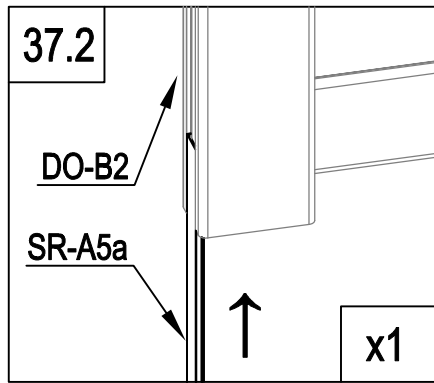
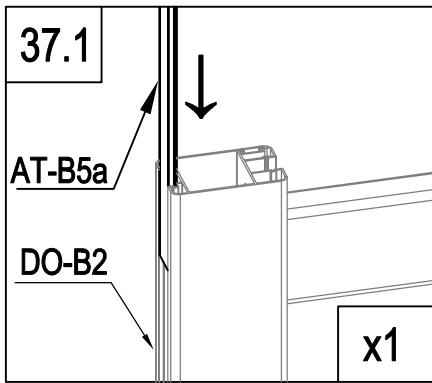
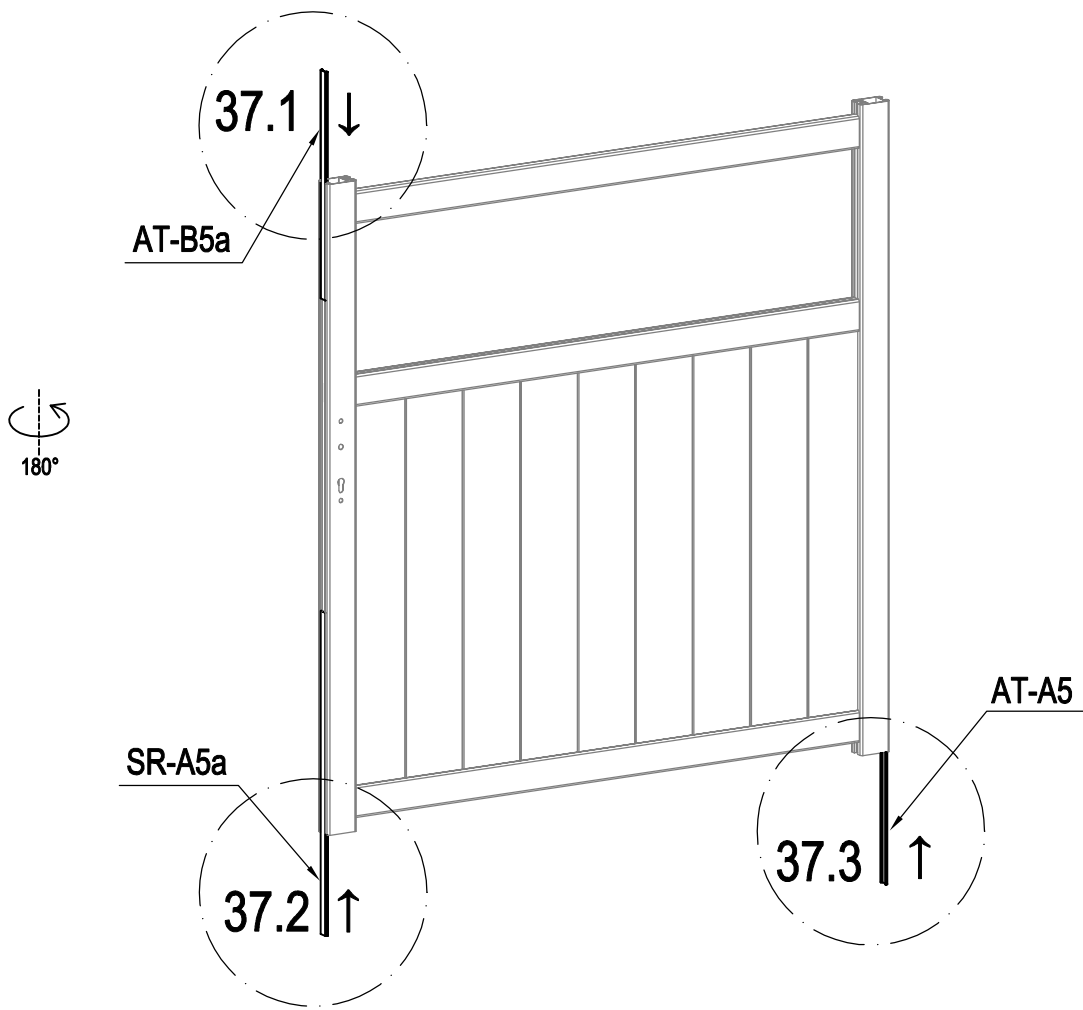




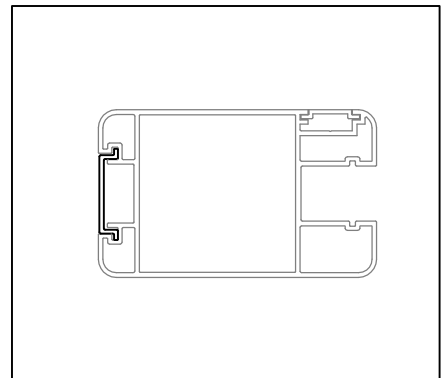
| | | |
|---|--------|---|
|  | AT-A11 | 2 |
|---|--------|---|

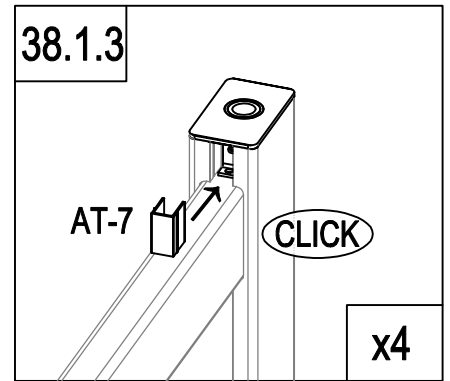
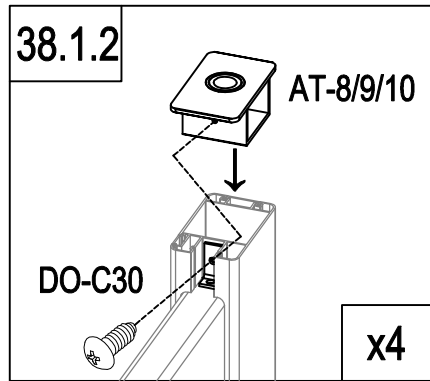
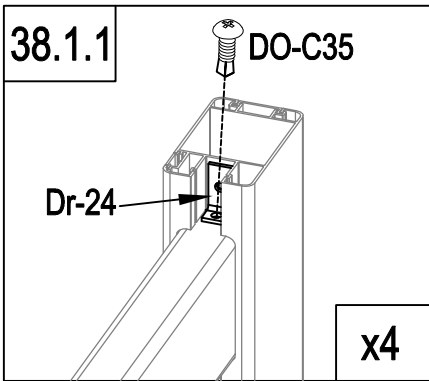
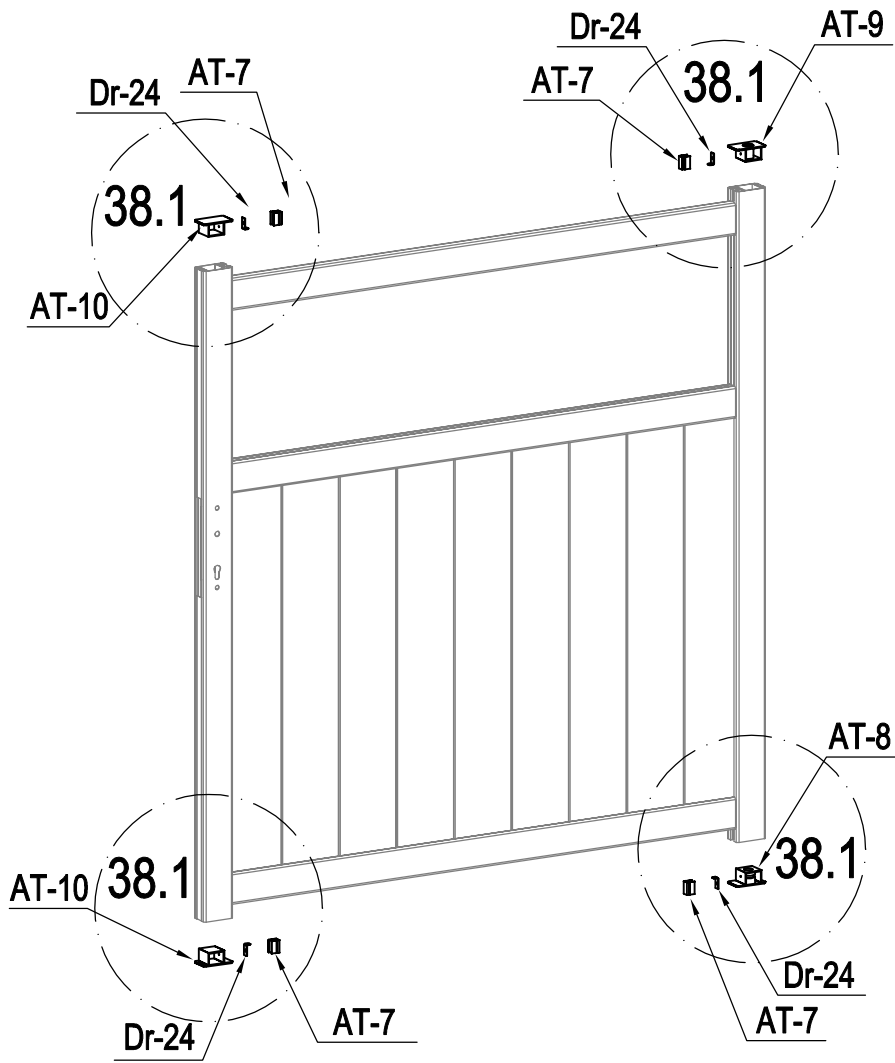


| | | |
|---|--------|---|
|  | DO-B11 | 4 |
|  | DO-30 | 4 |



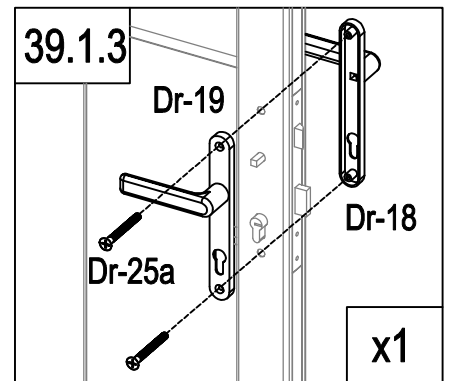
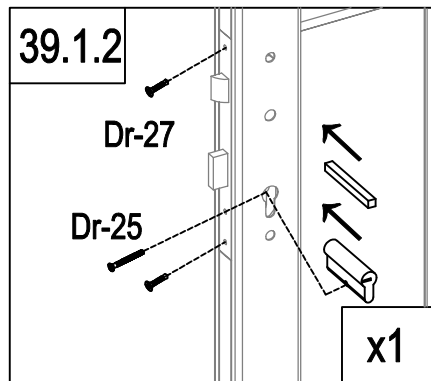
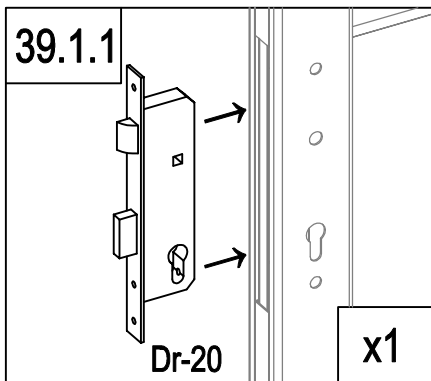
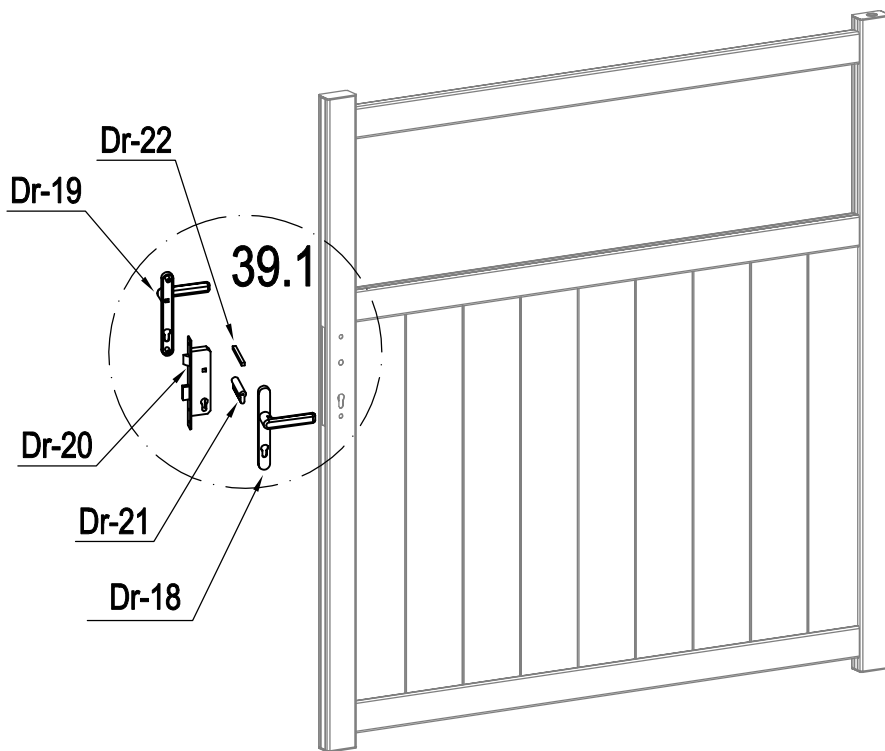
| | | |
|--|--------|---|
| | AT-A5 | 1 |
| | AT-B5a | 1 |
| | SR-A5a | 1 |





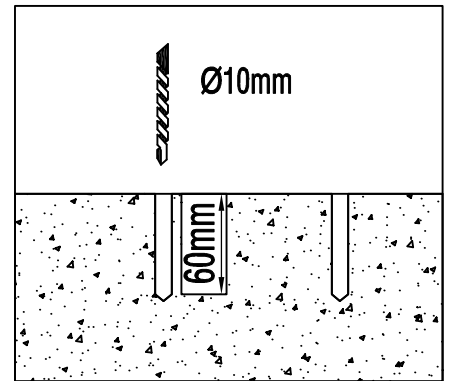
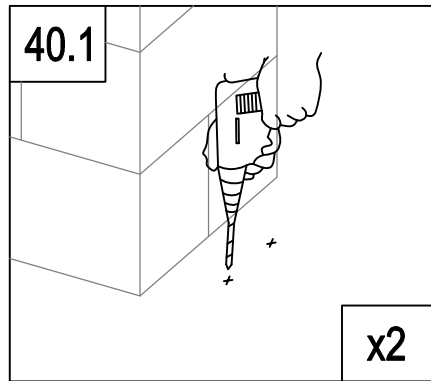
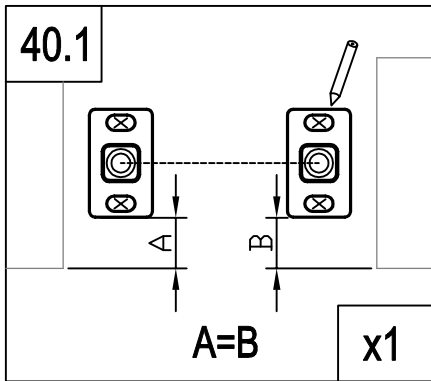
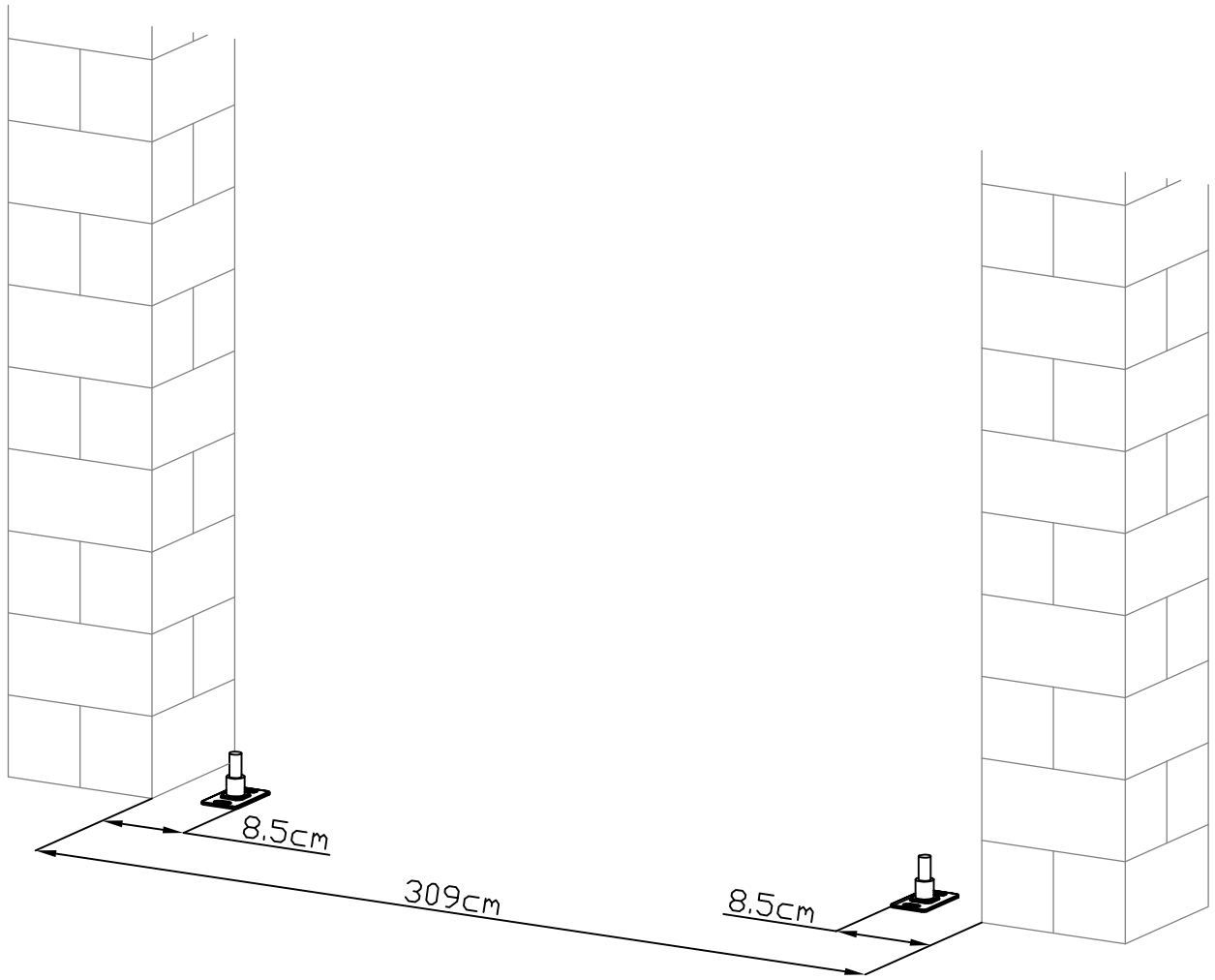
| | | |
|--|-------|---|
| | AT-8 | 1 |
| | AT-9 | 1 |
| | AT-10 | 2 |
| | Dr-24 | 4 |

| | | |
|--|--------|---|
| | AT-7 | 4 |
| | DO-C30 | 4 |
| | DO-C35 | 4 |

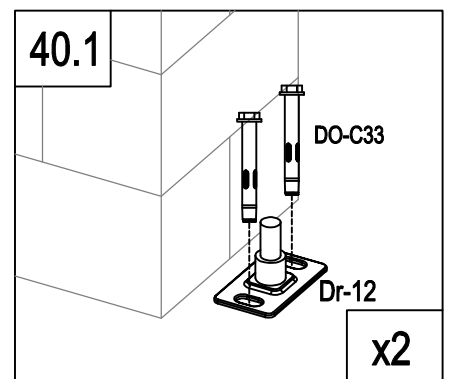


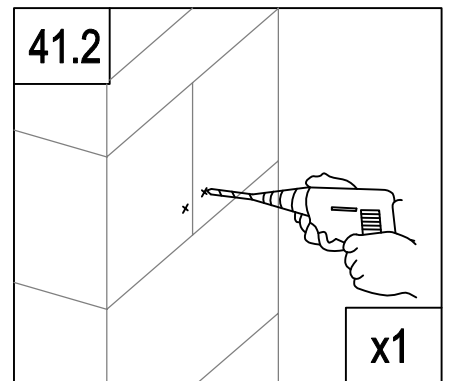
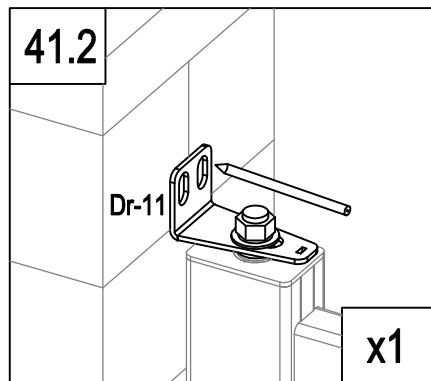
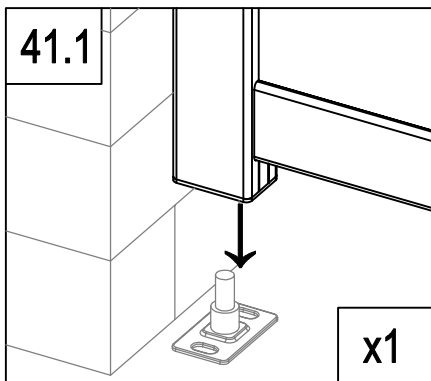
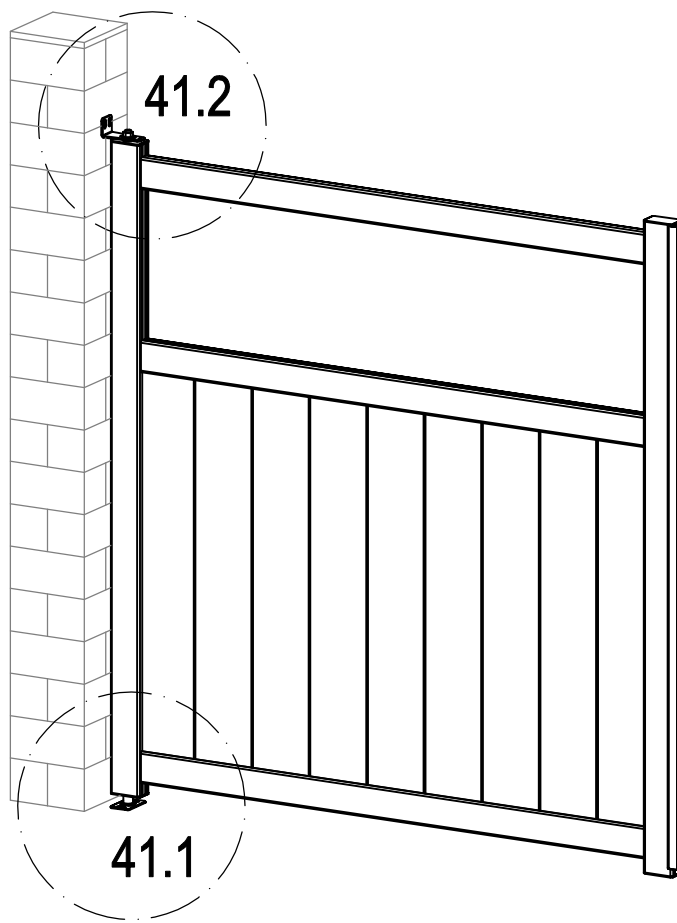
| | | |
|--|-------|---|
| | Dr-20 | 1 |
| | Dr-21 | 1 |
| | Dr-22 | 1 |
| | Dr-25 | 1 |



| | | |
|--|--------|---|
| | Dr-18 | 1 |
| | Dr-19 | 1 |
| | Dr-25a | 2 |
| | Dr-27 | 2 |

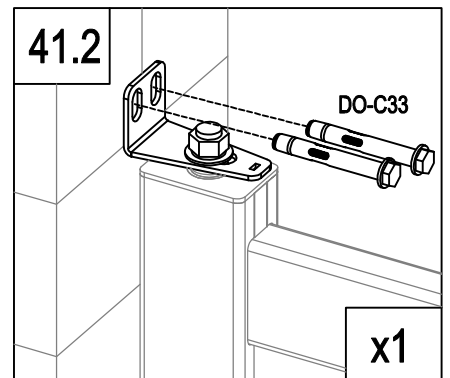
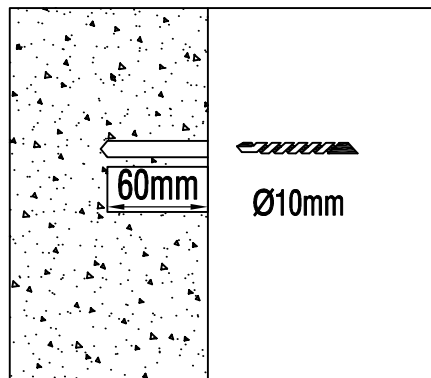


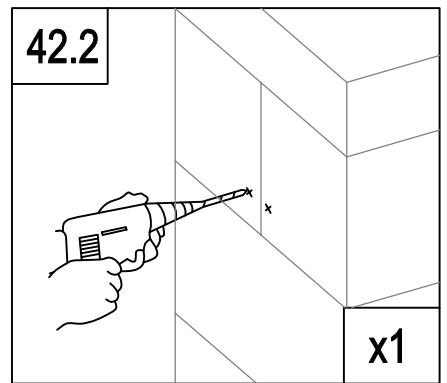
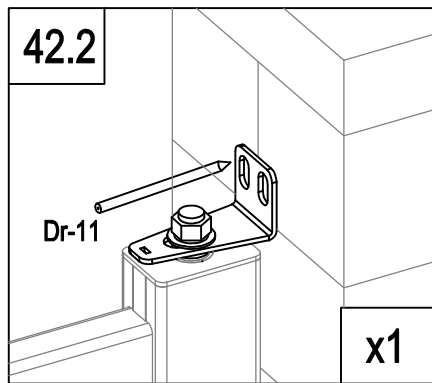
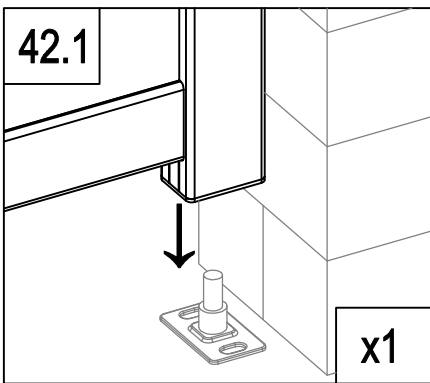
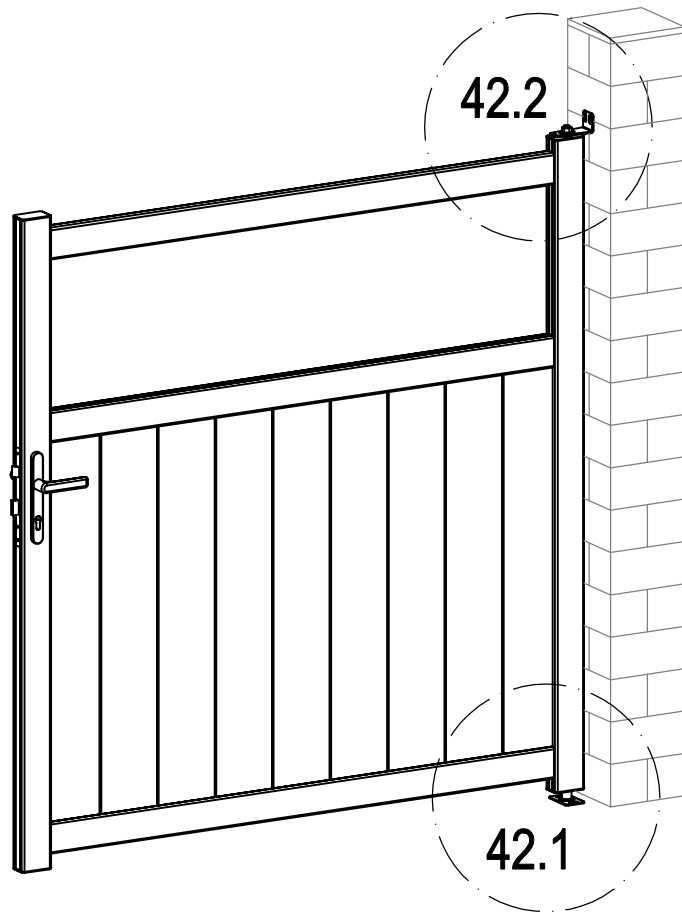
| | | |
|--|--------|---|
| | Dr-12 | 2 |
| | DO-C33 | 4 |





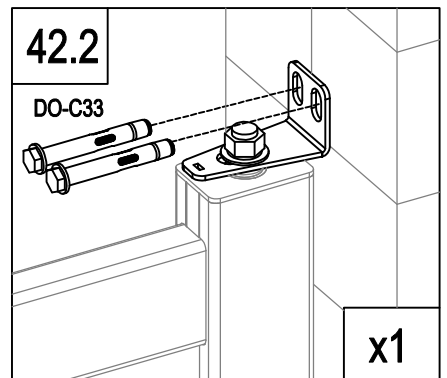
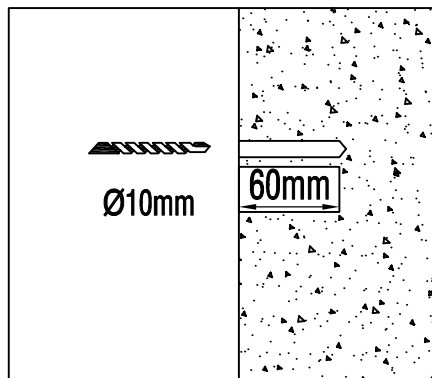


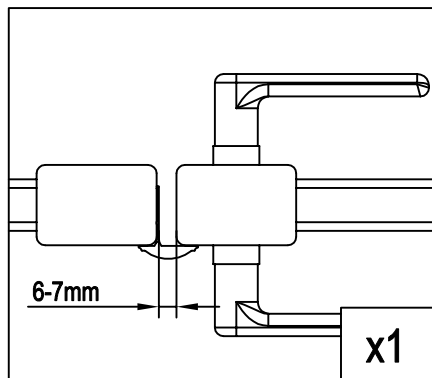
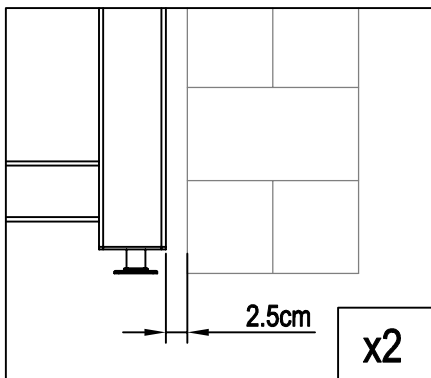
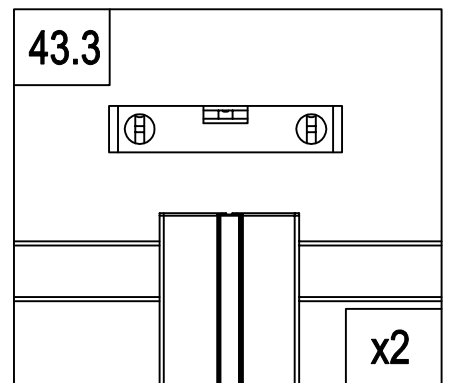
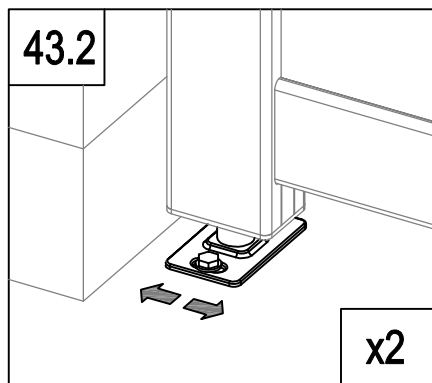
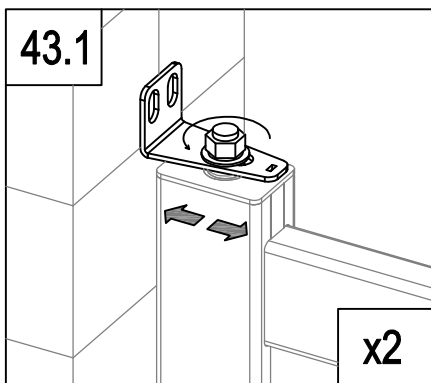
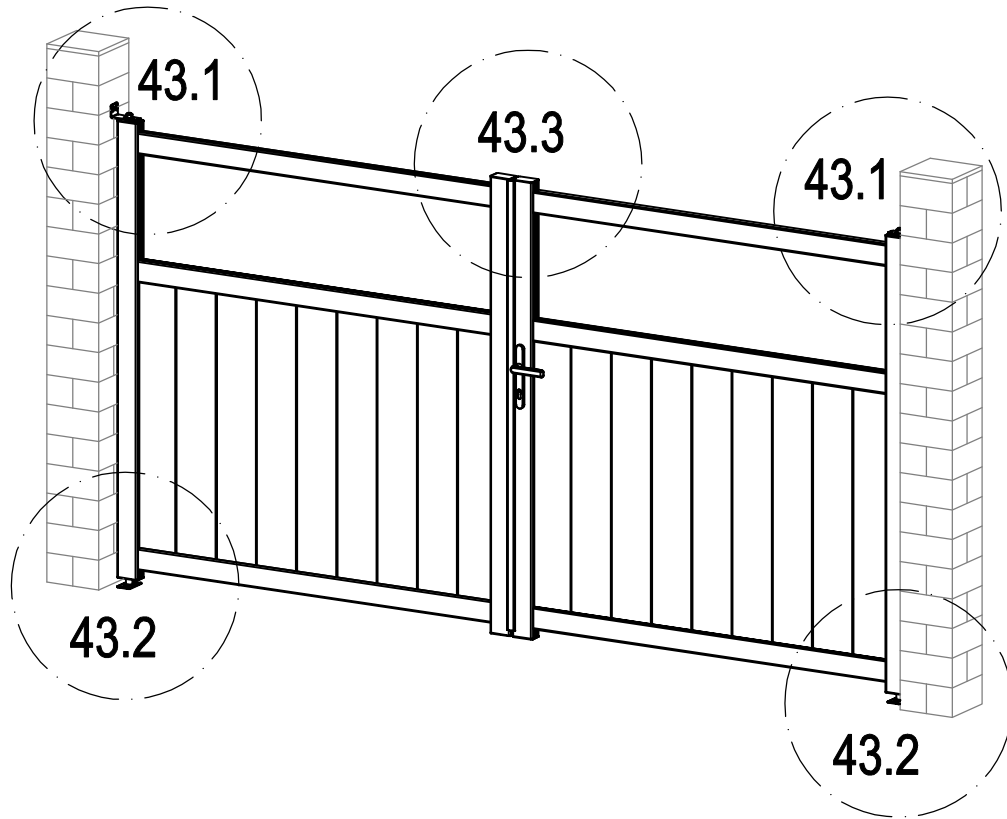
| | | |
|---|--------|---|
|  | Dr-11 | 1 |
|  | DO-C33 | 2 |

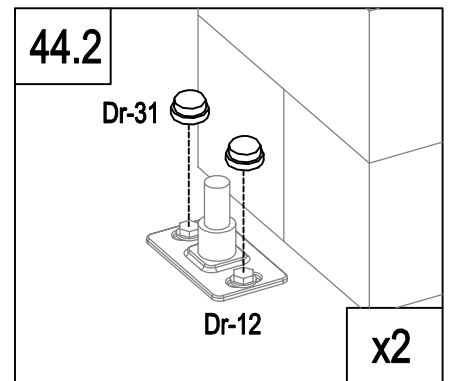
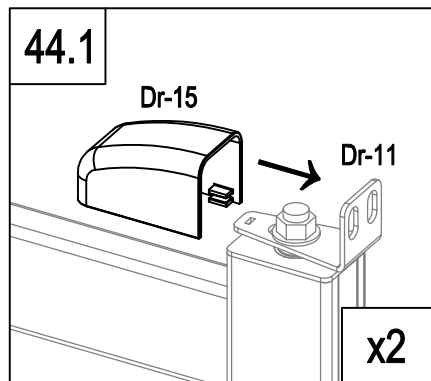
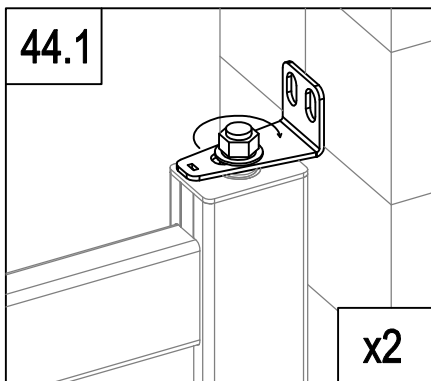
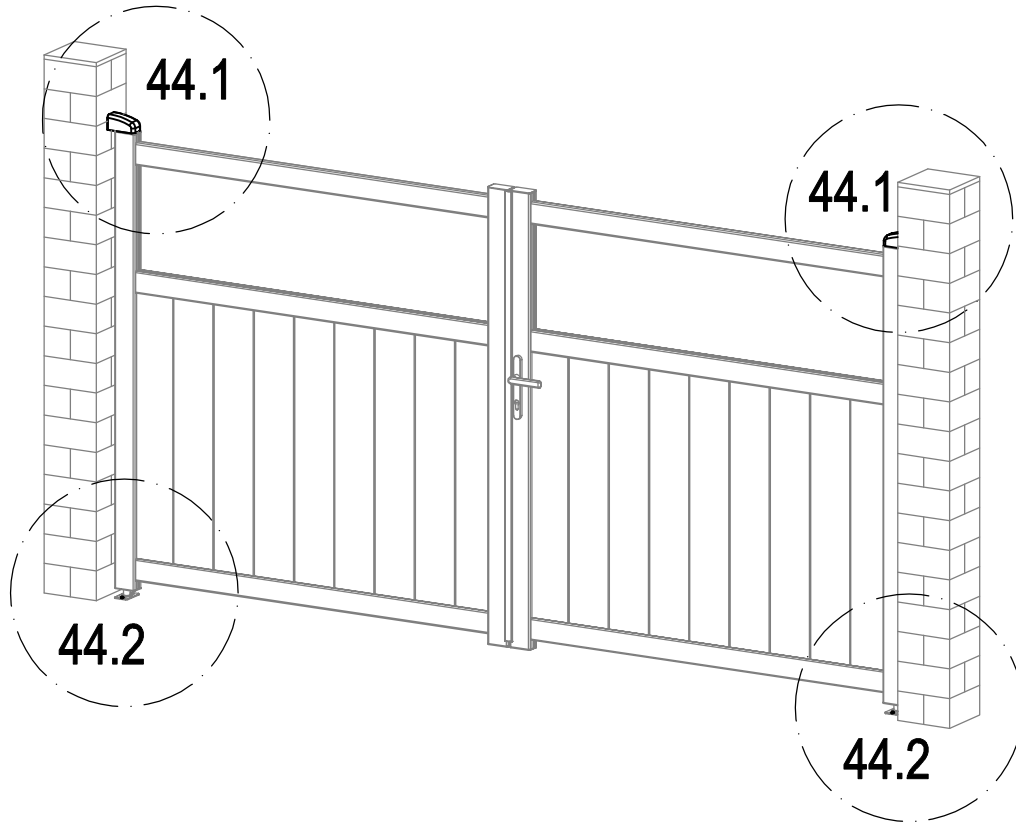






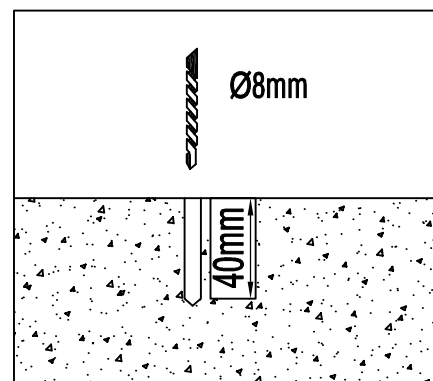
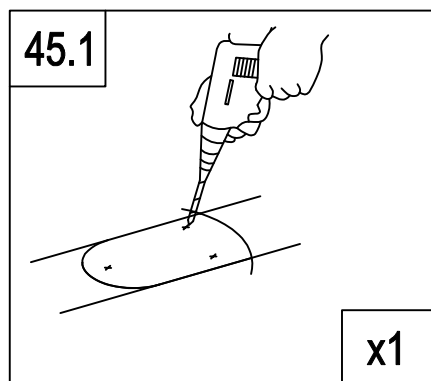
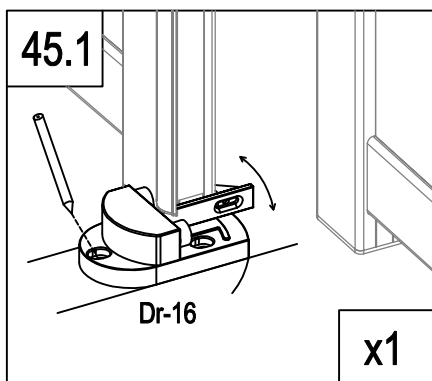
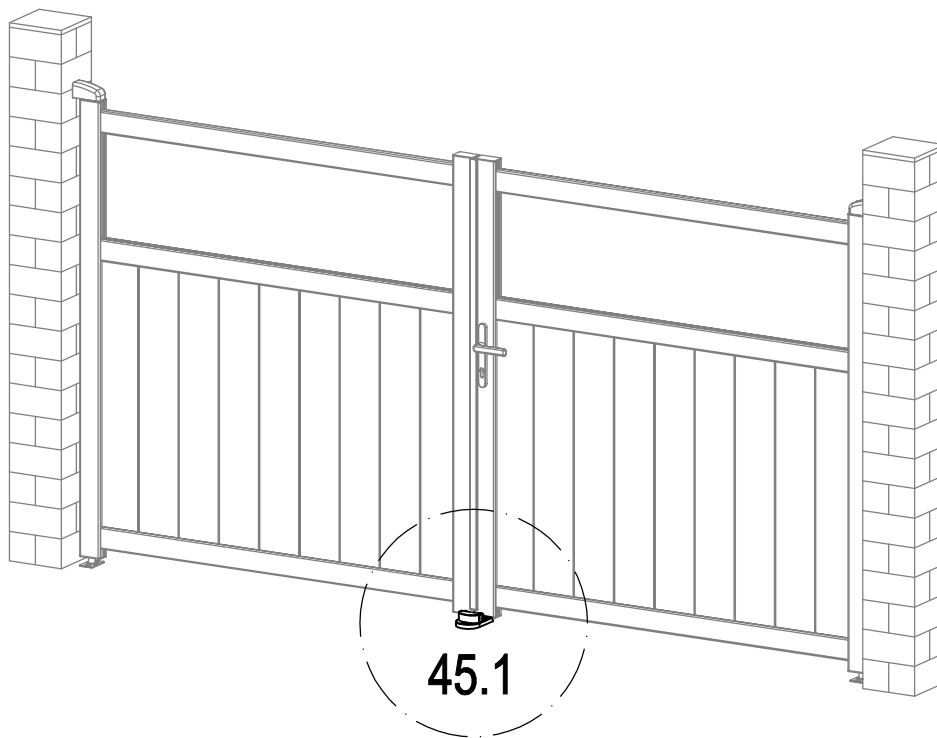
| | | |
|---|--------|---|
|  | Dr-11 | 1 |
|  | DO-C33 | 2 |






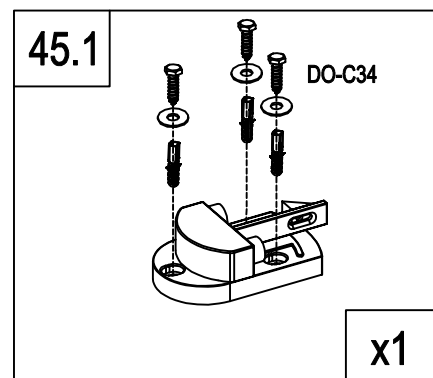


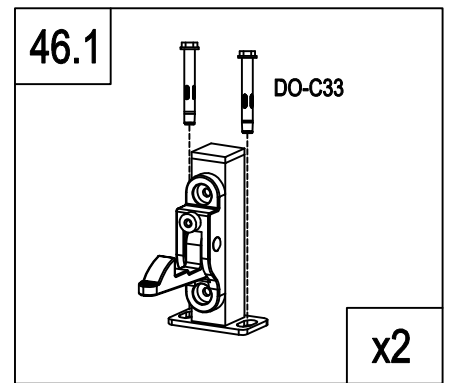
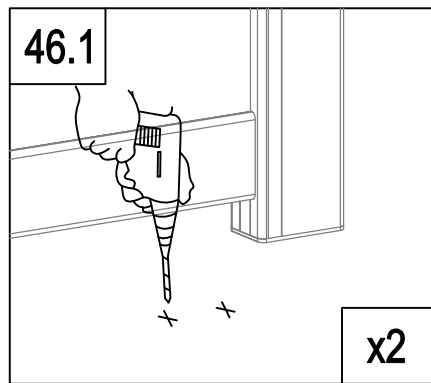
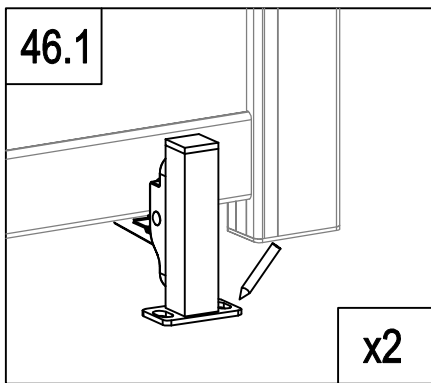
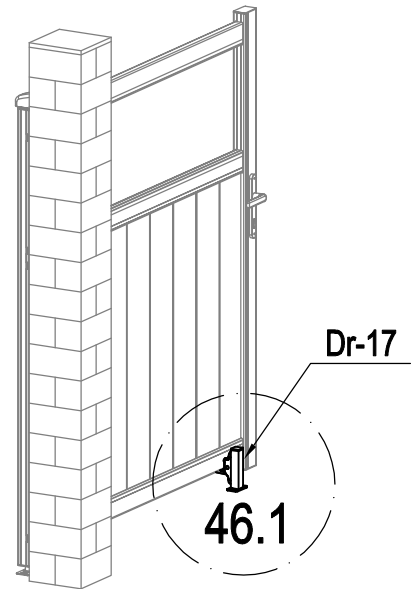
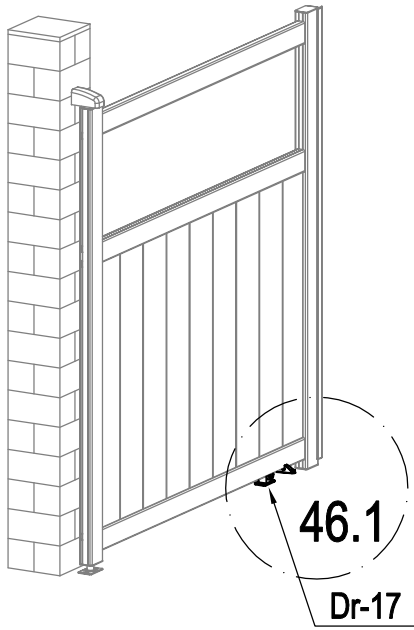



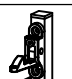
| | | |
|---|-------|---|
|  | Dr-15 | 2 |
|  | Dr-31 | 4 |



| | | |
|---|--------|---|
|  | Dr-16 | 1 |
|  | DO-C34 | 3 |
|  | DO-C36 | 3 |





| | | |
|---|--------|---|
|  | DO-C33 | 4 |
|  | Dr-17 | 2 |