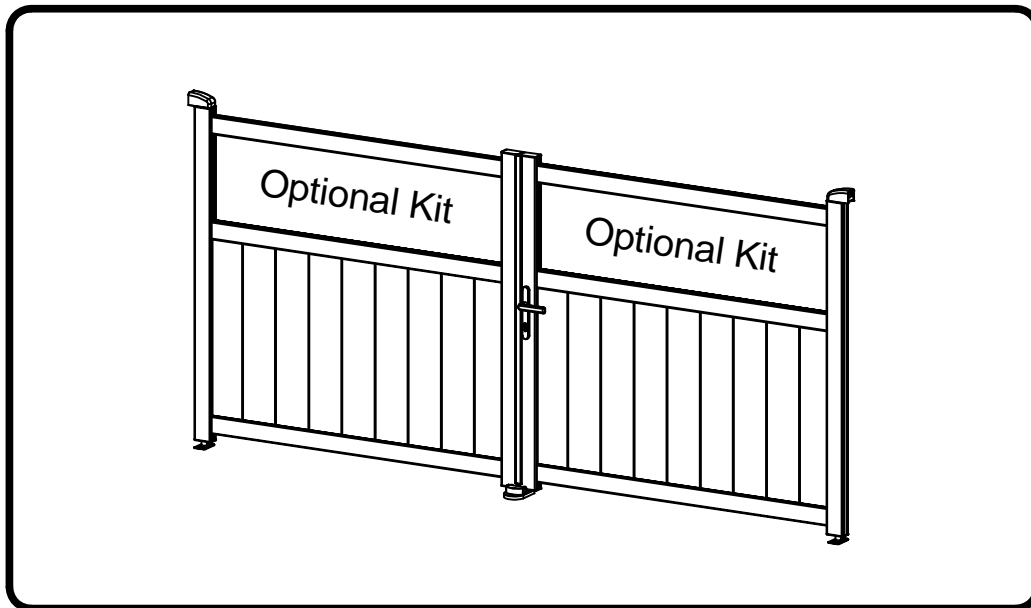


CASANOVO

DO 300B140



7-8H



x2

COM-000312

[x1]

COM-000313

[x1]

COM-000*DESIGN*

[x1]

*Selon modèle

FR

EN

ES

DE

IT

NL

PL

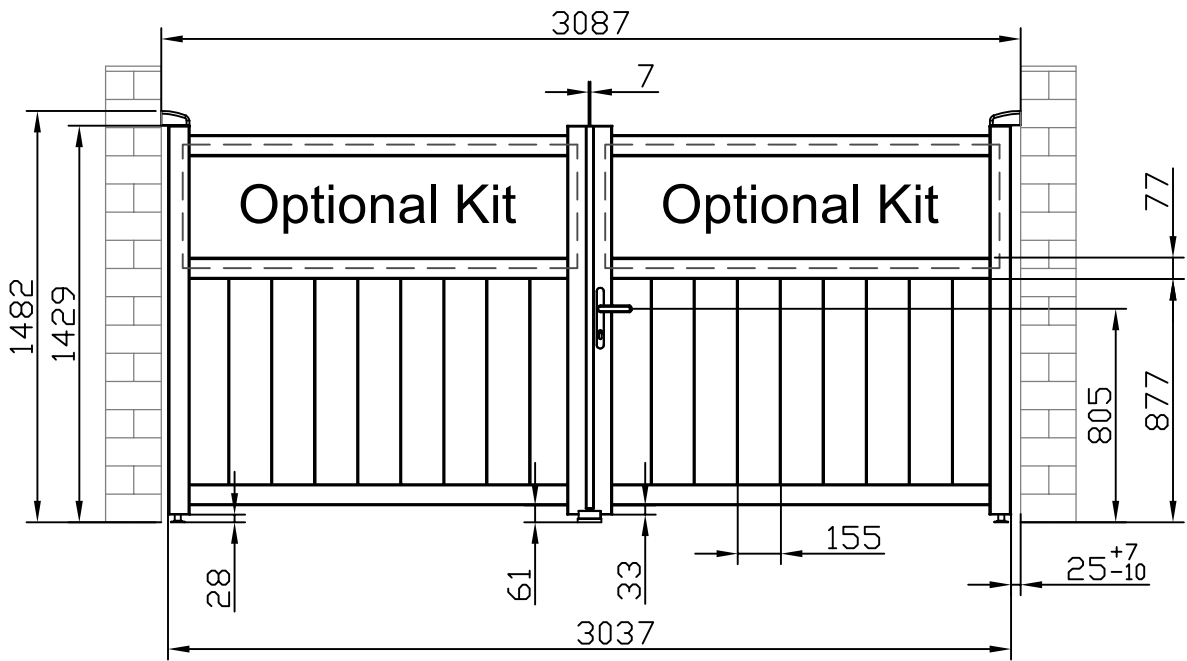
PT

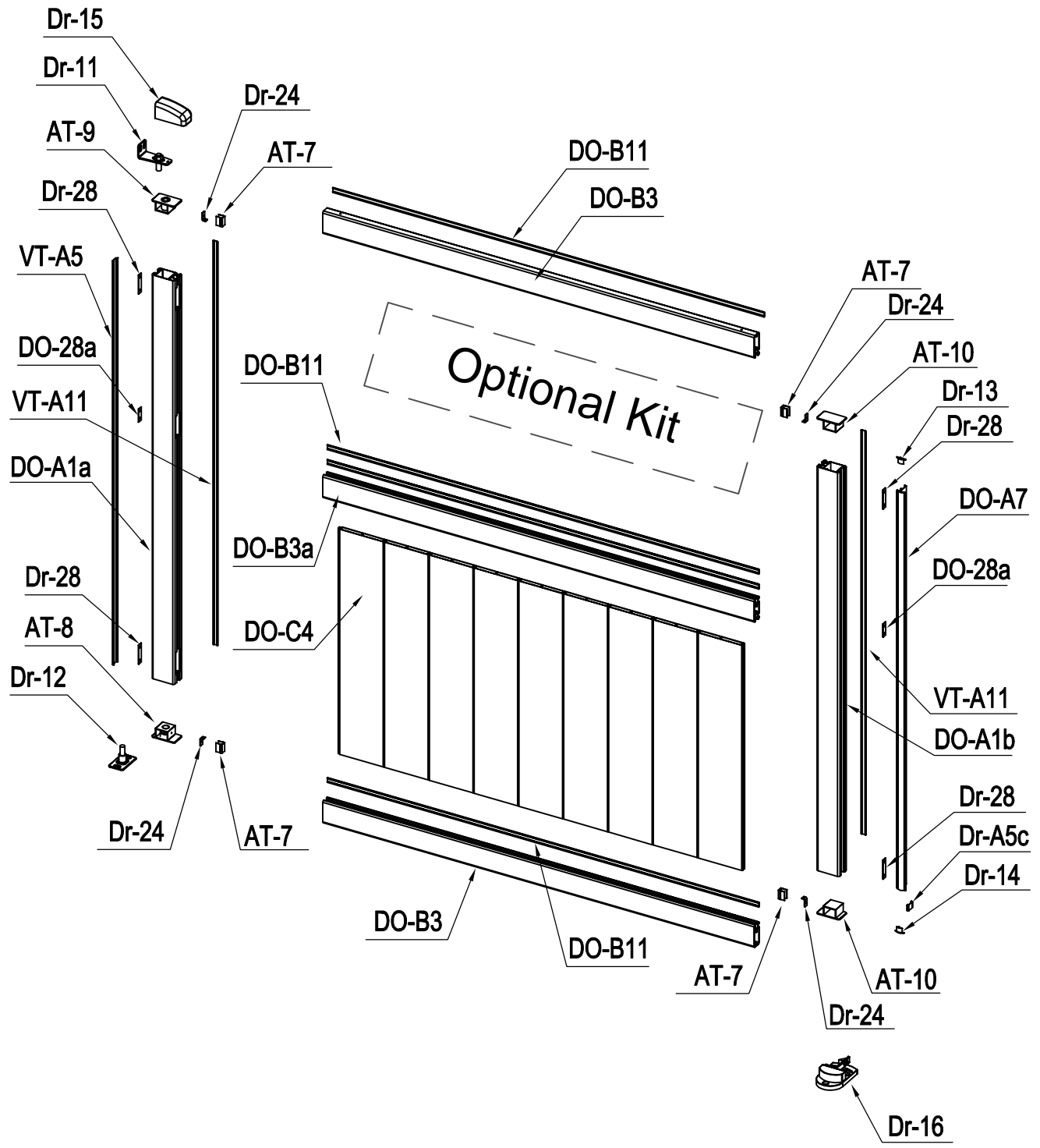
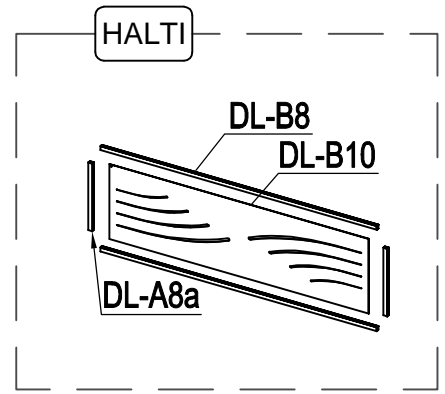
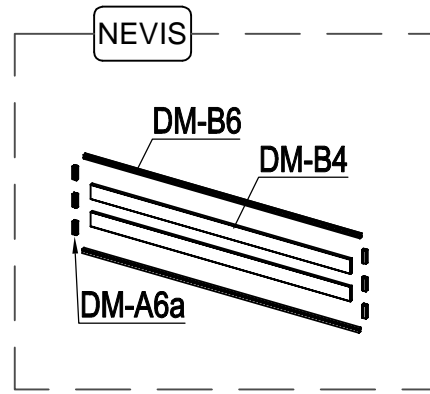
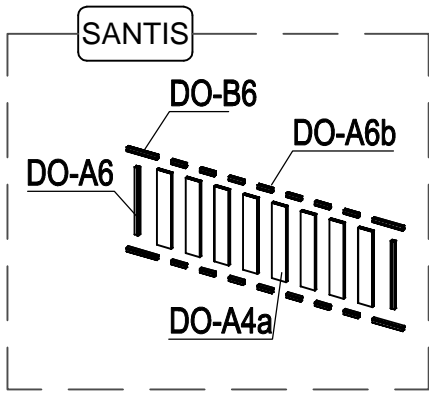
FI

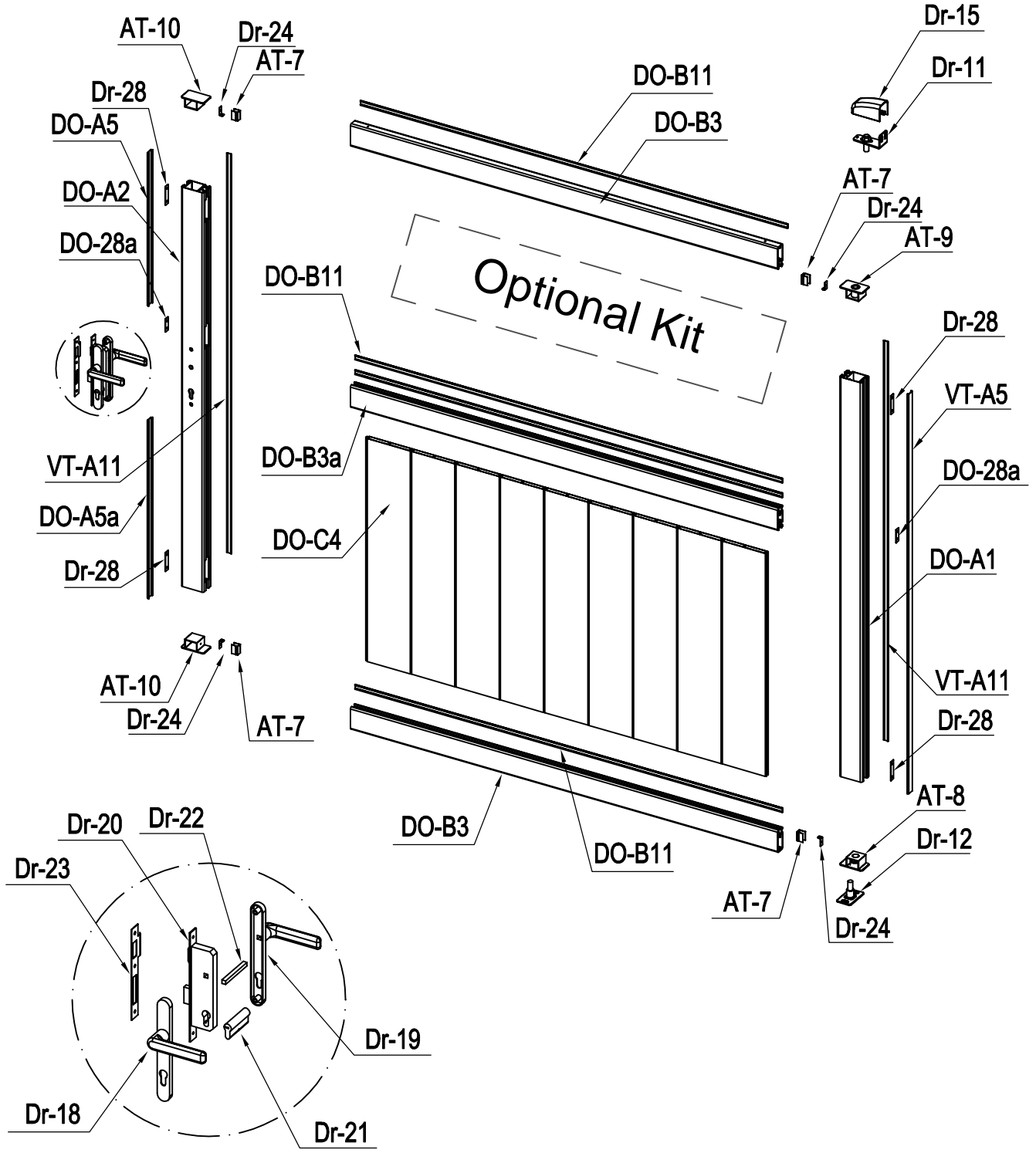
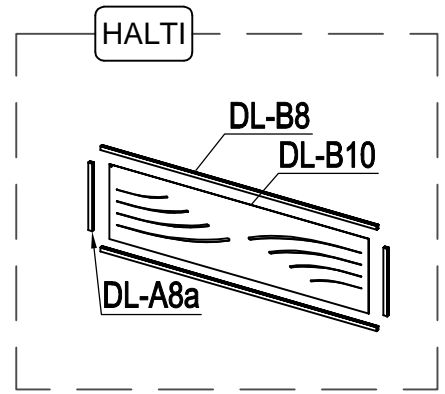
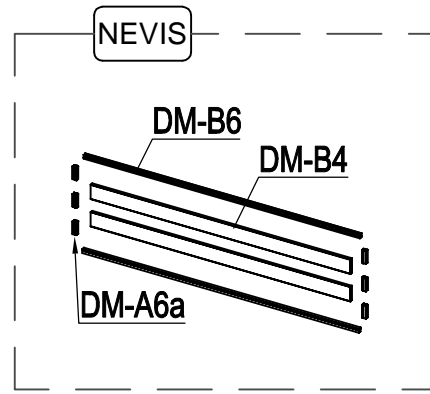
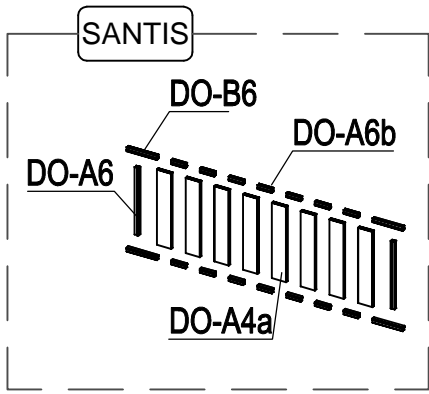
SE

DK

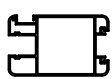










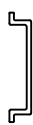


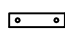
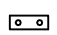
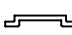




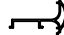

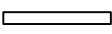













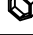








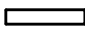
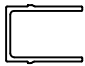




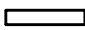
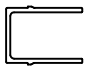





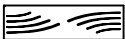


PARTS LIST

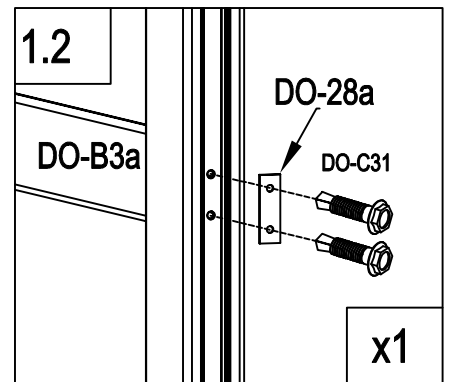
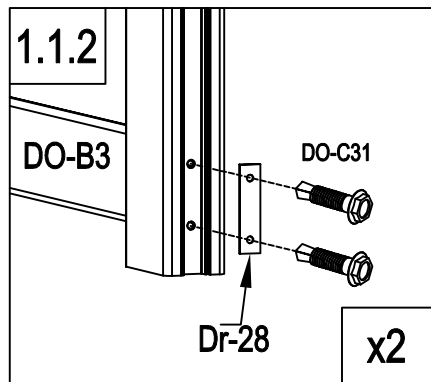
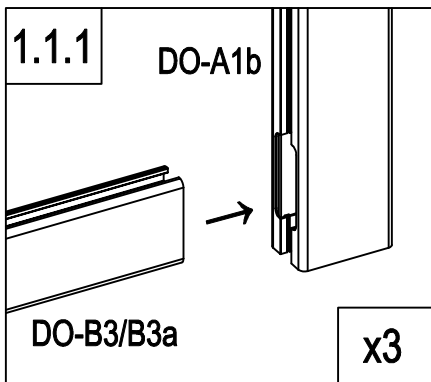
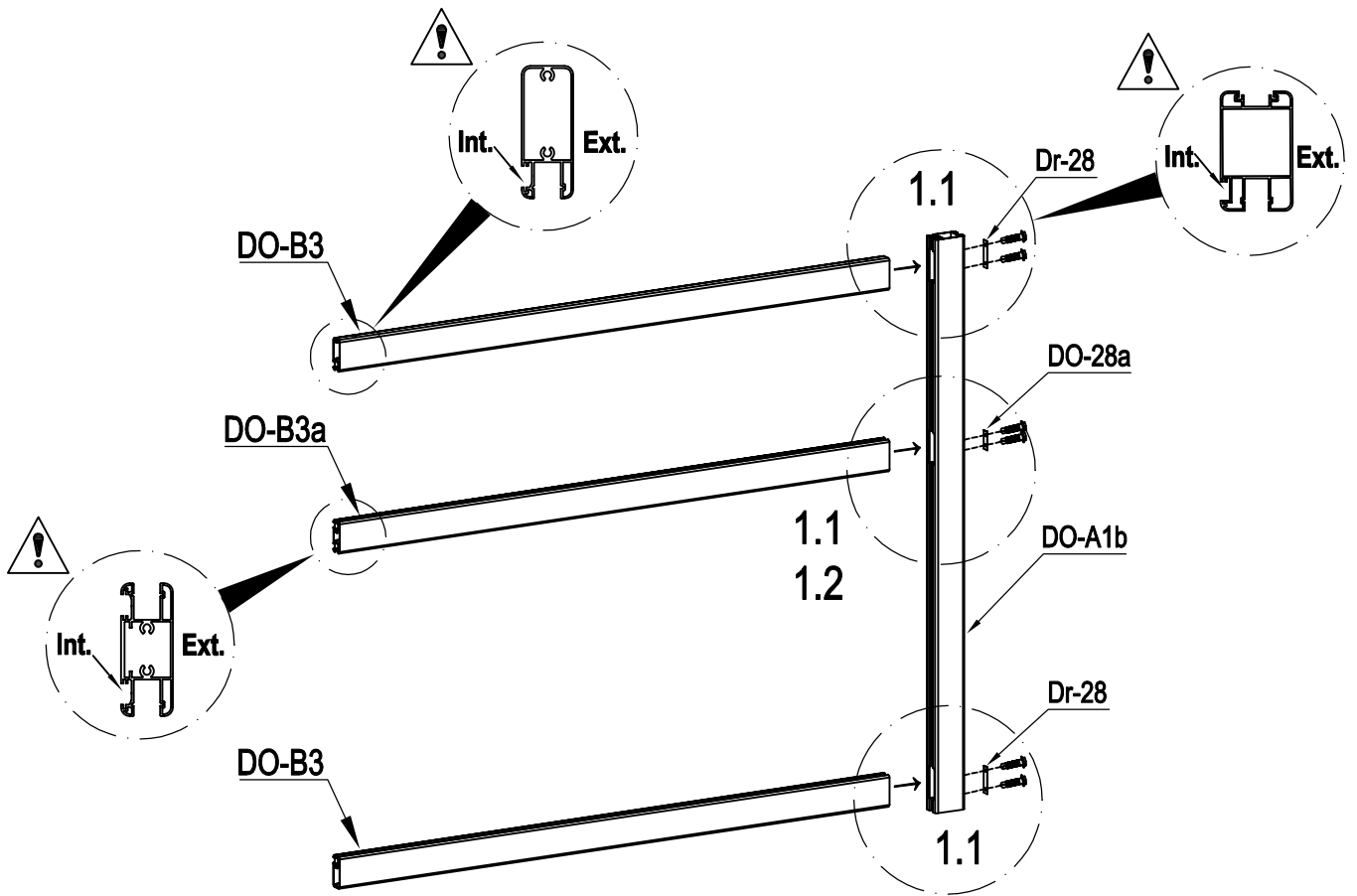
IMAGE	NO.	L.(mm)	QTY	IMAGE	NO.	L.(mm)	QTY
	DO-A1	1395	1		Dr-20		1
	DO-A1a	1395	1		Dr-21		1
	DO-A1b	1395	1		Dr-22		1
	DO-A2	1395	1		Dr-23		1
	DO-B3	1492	4		Dr-25		1
	DO-B3a	1492	2		Dr-25a		2
	DO-C4	779	18		Dr-26		3
	VT-A5	1395	2		Dr-27		2
	DO-A5	532.5	1		Dr-24		8
	DO-A5a	622	1		Dr-28		8
	Dr-A5c	19.5	1		DO-28a		4
	VT-A11	1395	4		DO-C30		8
	DO-B11	1492	8		DO-C31		24
	AT-7	29.5	8		DO-C32		12
	DO-A7	1375	1		DO-C33		12
	DO-B15	1490	2		DO-C34		3
	AT-8		2		DO-C35		44
	AT-9		2		DO-C36		3
	AT-10		4				
	Dr-11		2				
	Dr-12		2				
	Dr-13		1				
	Dr-14		1				
	Dr-15		2				
	Dr-16		1				
	Dr-17		2				
	Dr-31		4				
	DO-30		8				
	Dr-18		1				
	Dr-19		1				

PARTS LIST (Optional Kit)

<p>COM-000350</p> 	IMAGE	NO.	L.(mm)	QTY
		DO-A4a	406	16
		DO-A6	364	4
		DO-B6	163	8
		DO-A6b	77.5	28
	DO-35		32	

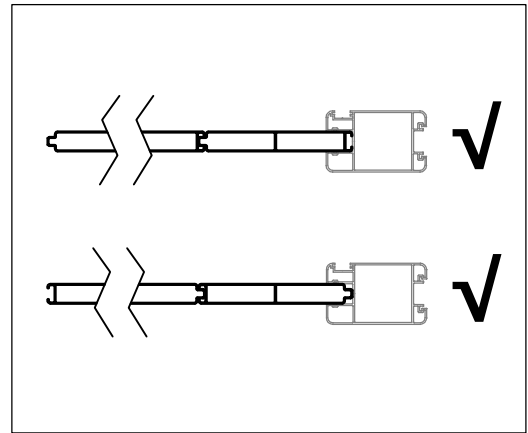
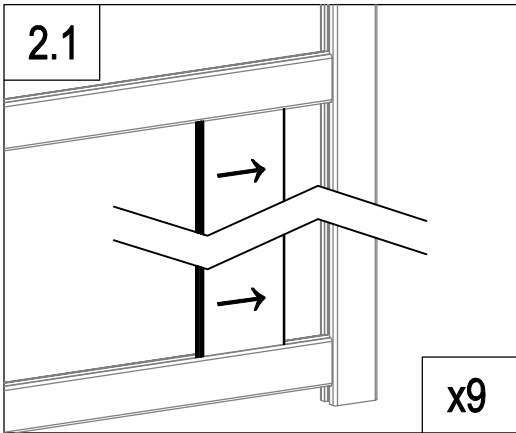
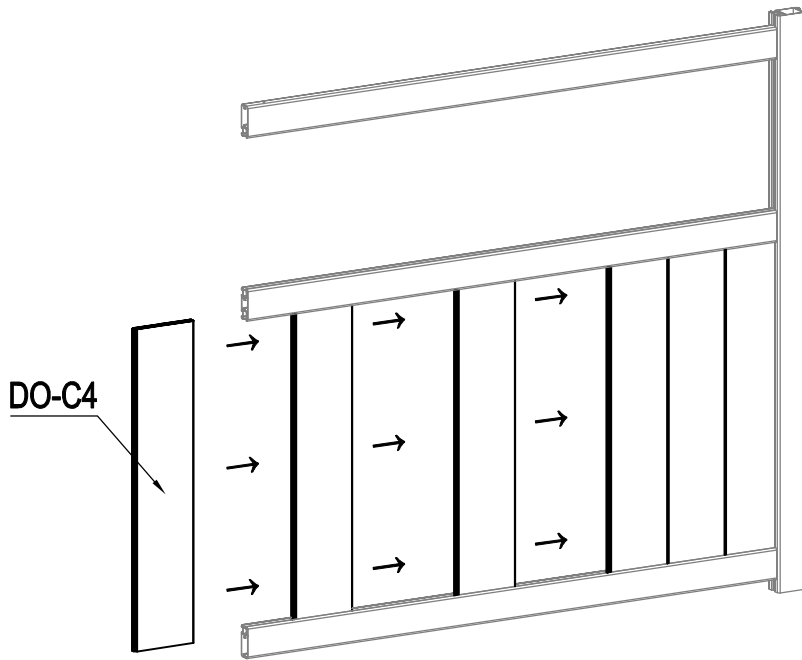
<p>COM-000353</p> 	IMAGE	NO.	L.(mm)	QTY
		DM-B4	1400	4
		DM-B6	1490	4
		DM-A6a	69	12
	DO-32		8	

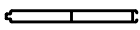
<p>COM-000356</p> 	IMAGE	NO.	L.(mm)	QTY
		DL-B8	1490	4
		DL-A8a	364	4
		DL-B10	1397	2
		DO-32		8
	DO-35		16	

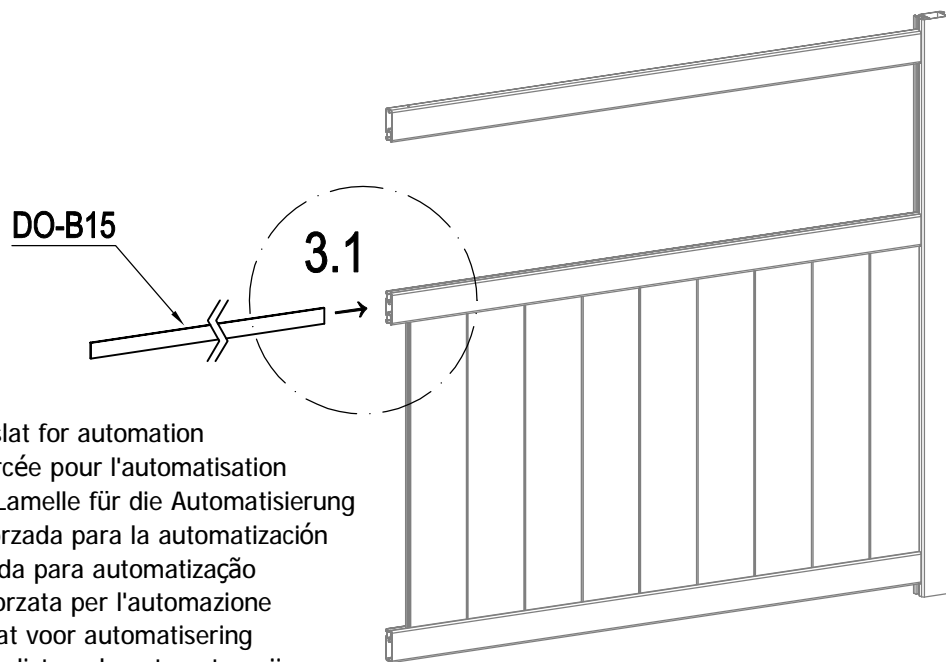


	DO-A1b	1
	DO-B3	2
	DO-B3a	1

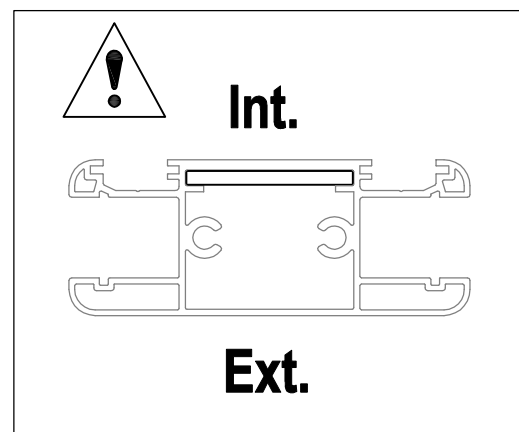
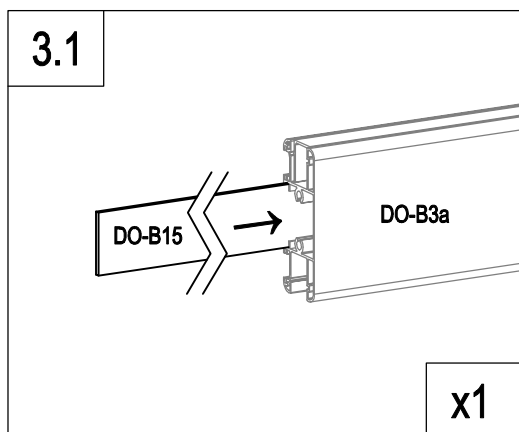
	Dr-28	2
	DO-28a	1
	DO-C31	6




	DO-C4	9
---	-------	---

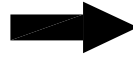
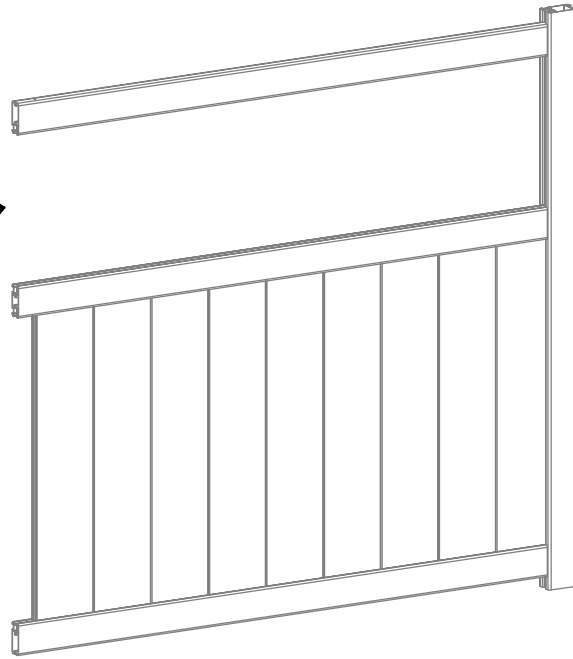


- EN: reinforced slat for automation
- FR : lame renforcée pour l'automatisation
- DE : verstärkte Lamelle für die Automatisierung
- ES: Lámina reforzada para la automatización
- PT: ripa reforçada para automatização
- IT: lamella rinforzata per l'automazione
- NL: versterkte lat voor automatisering
- PL: wzmocniona listwa do automatyzacji

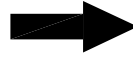


	DO-B15	1
---	--------	---

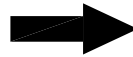
Optional Kit →



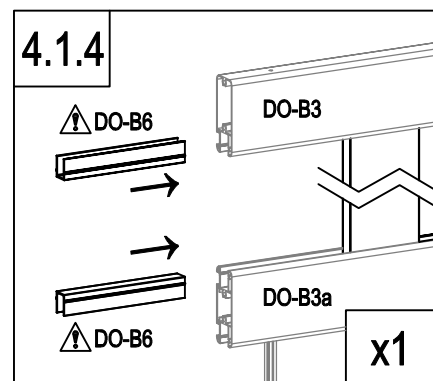
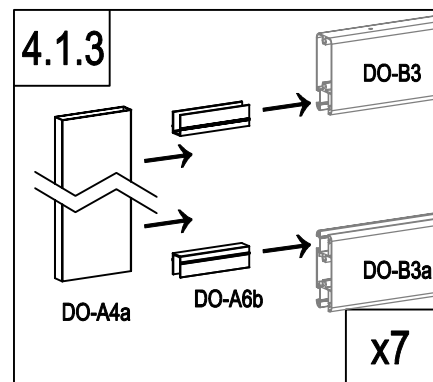
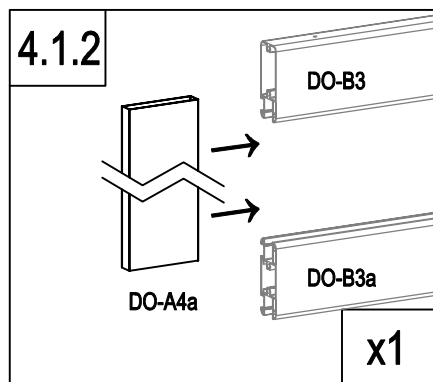
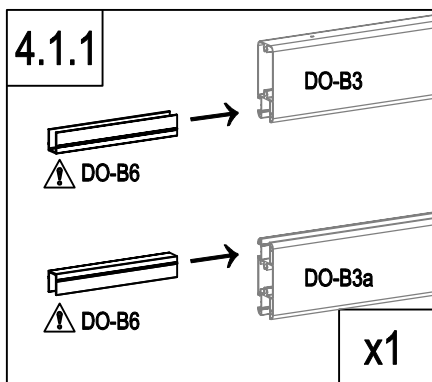
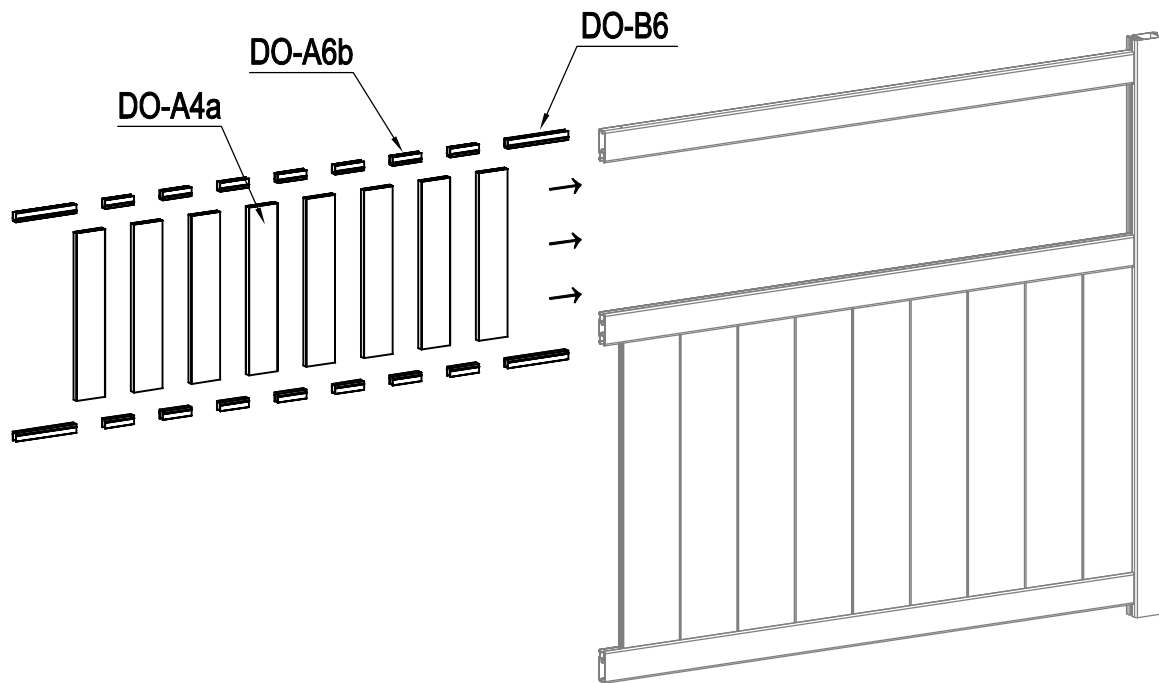
P 5~8



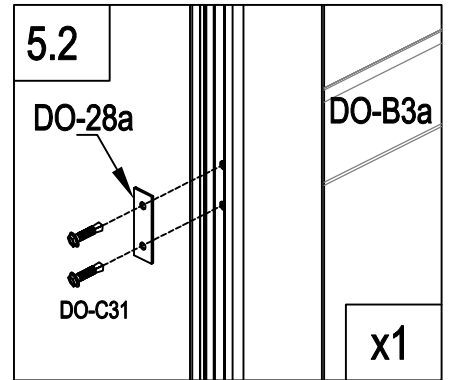
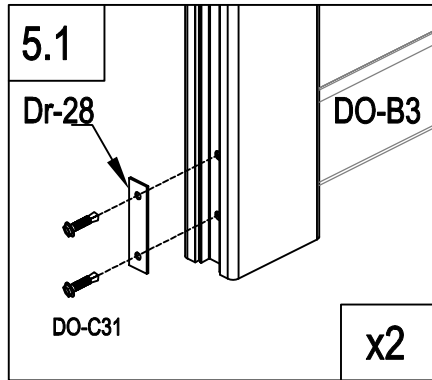
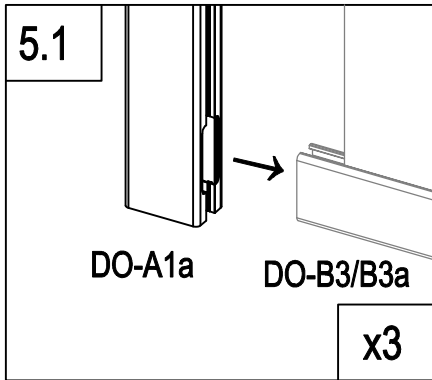
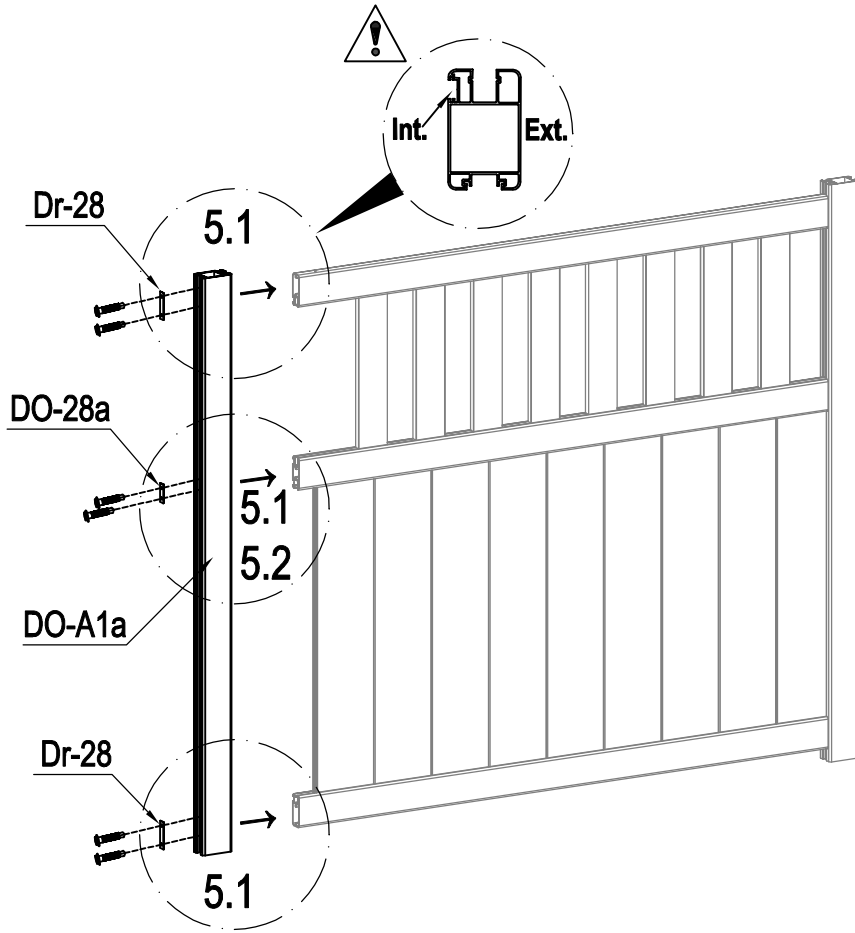
P 9~12



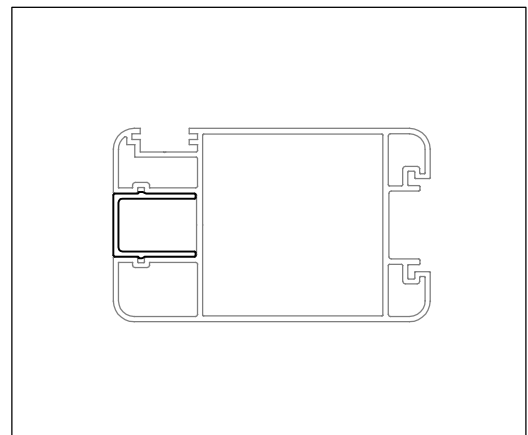
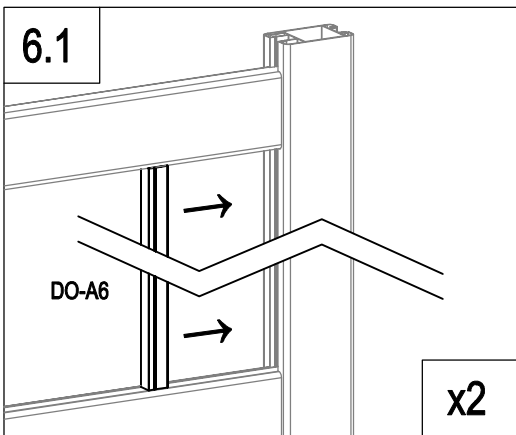
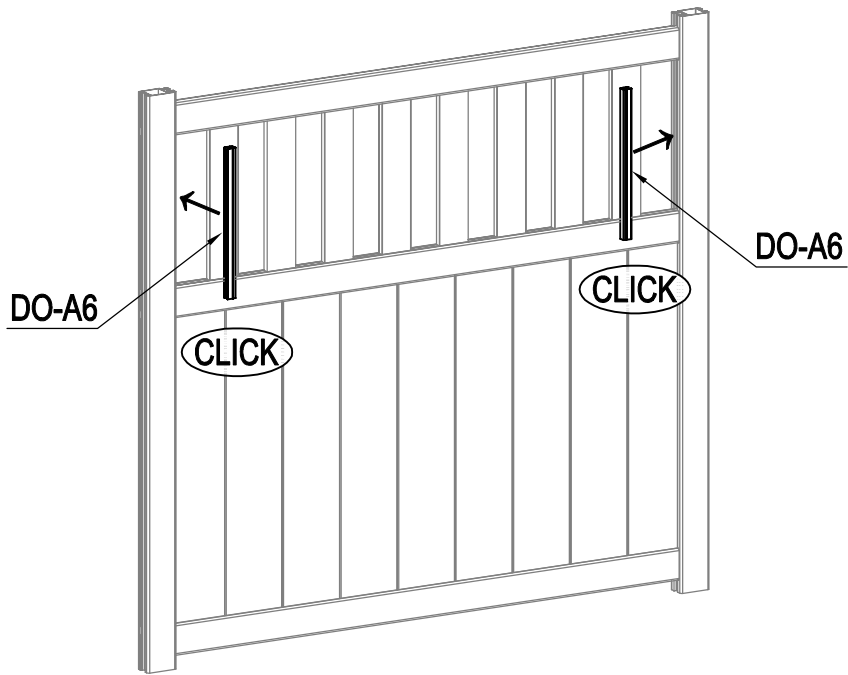
P 13~15




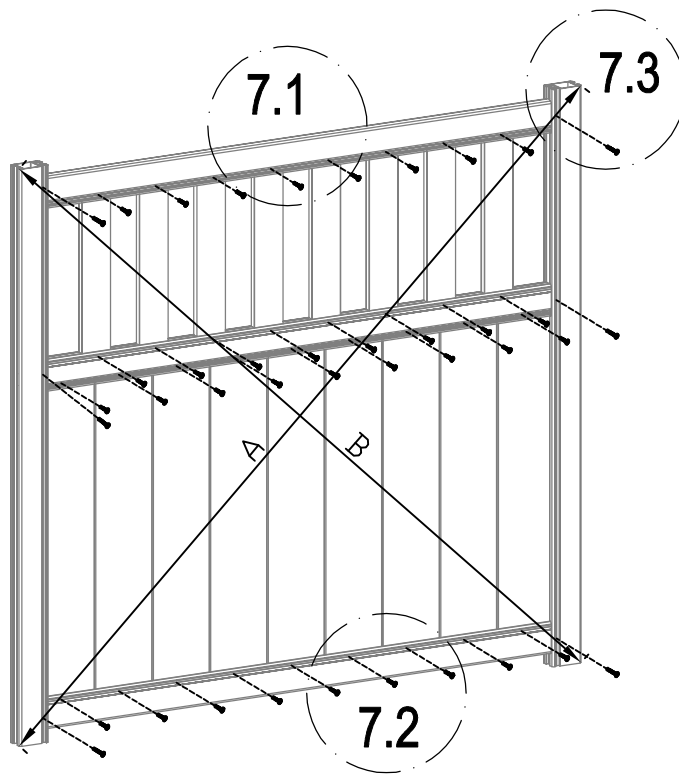
	DO-A4a	406mm	8
	DO-B6	163mm	4
	DO-A6b	77.5mm	14



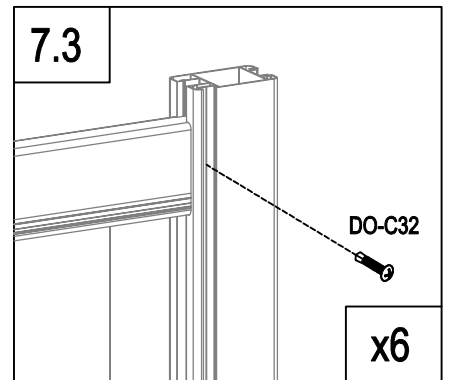
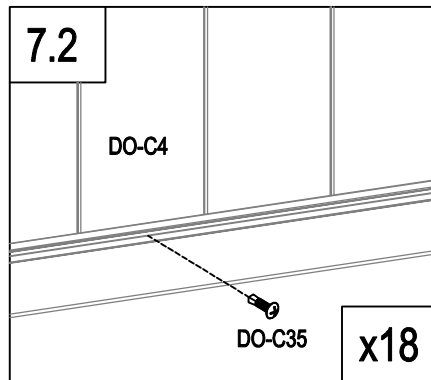
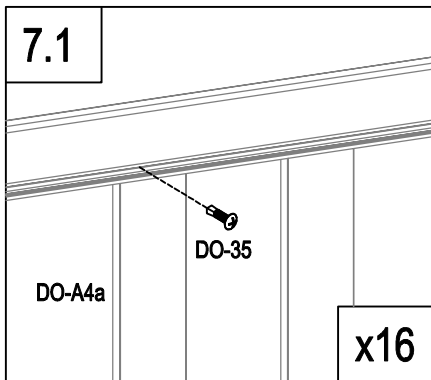
	DO-A1a	1
	Dr-28	2
	DO-28a	1
	DO-C31	6



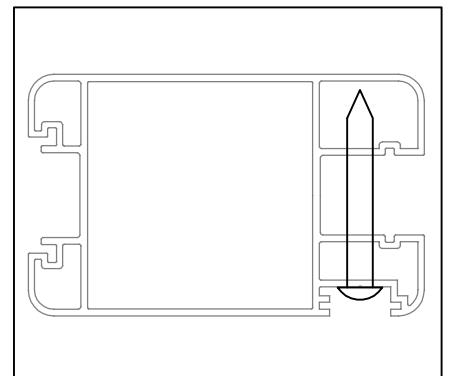
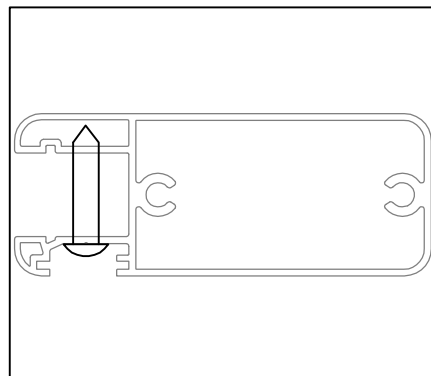
	DO-A6	2
---	-------	---

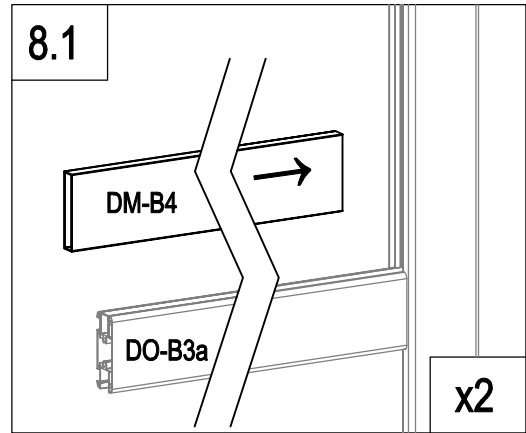
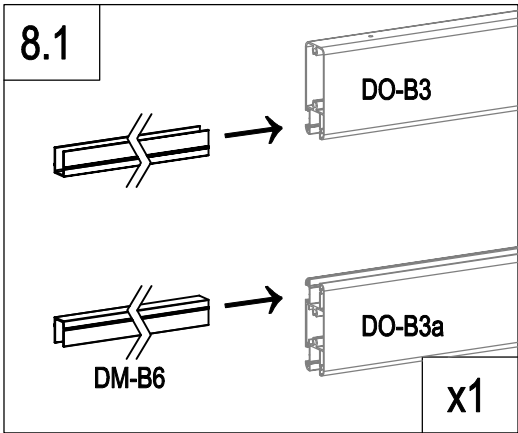
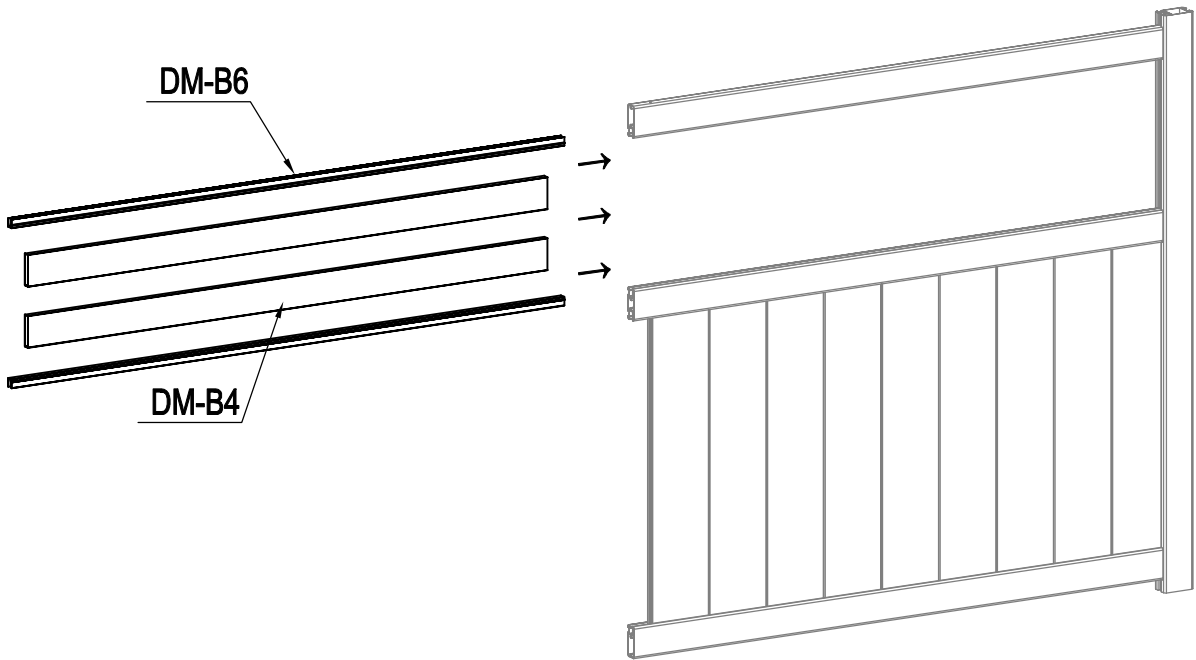


! A=B

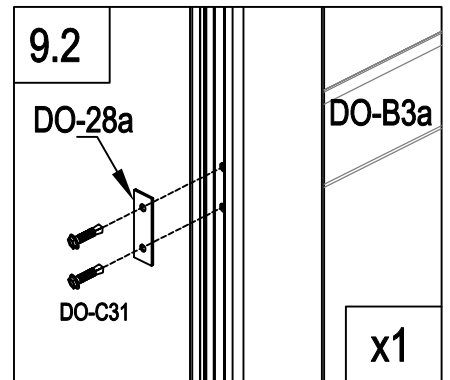
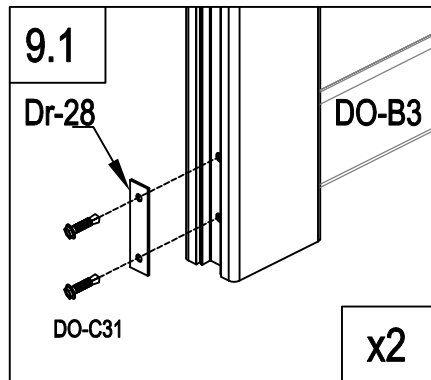
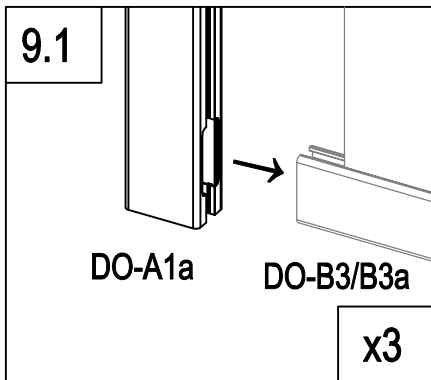
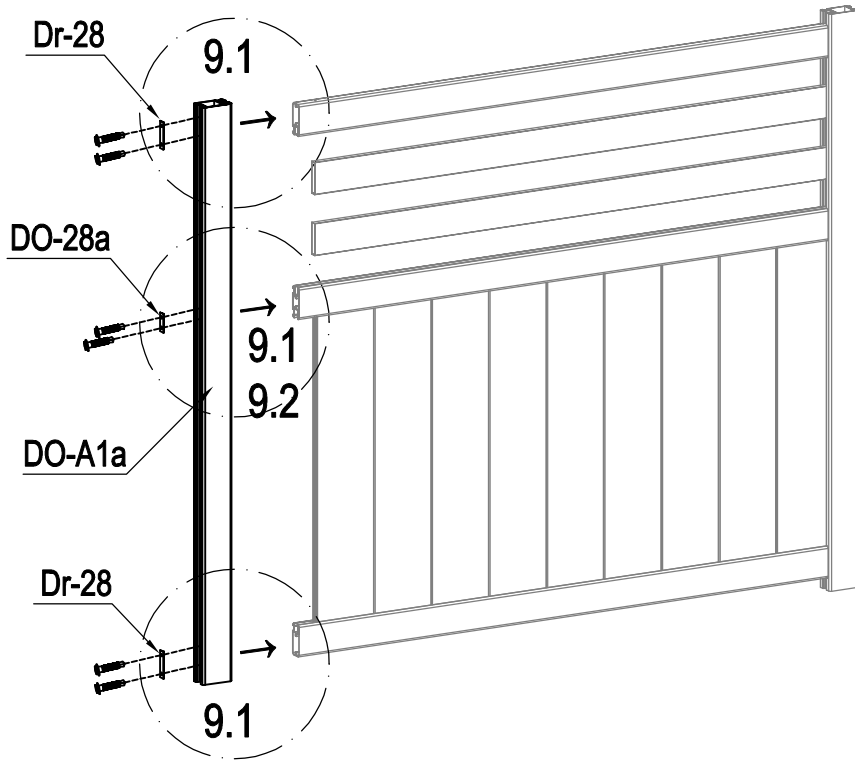



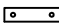
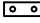

	DO-35	16
	DO-C35	18
	DO-C32	6

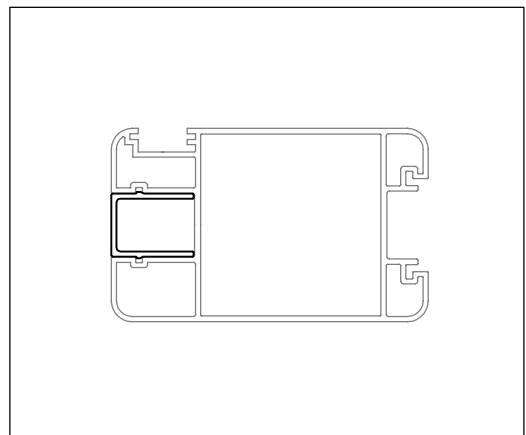
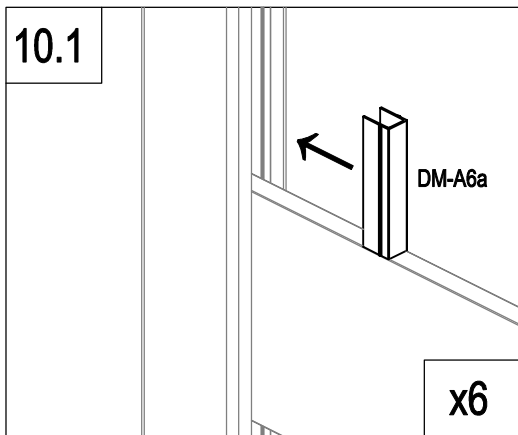
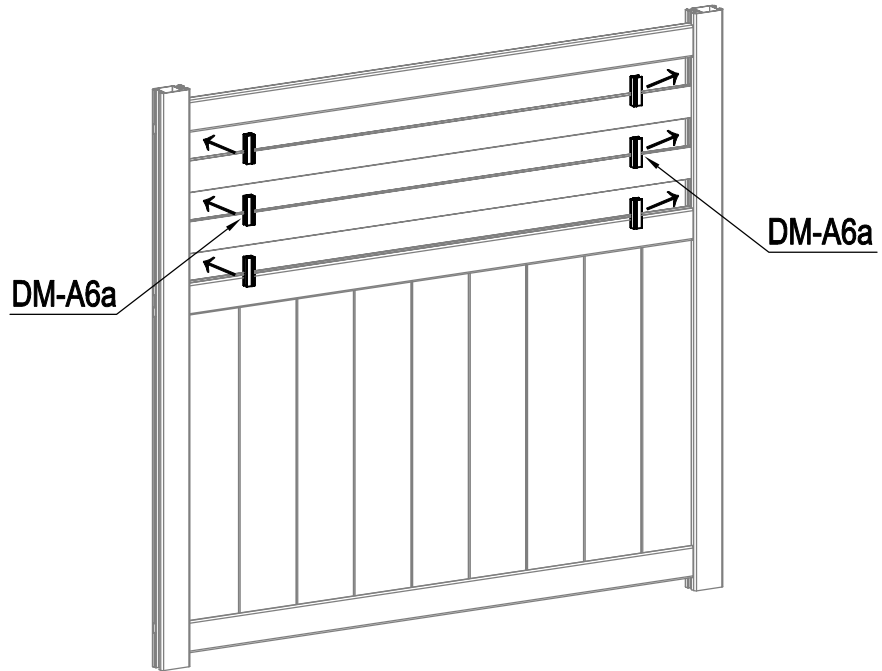




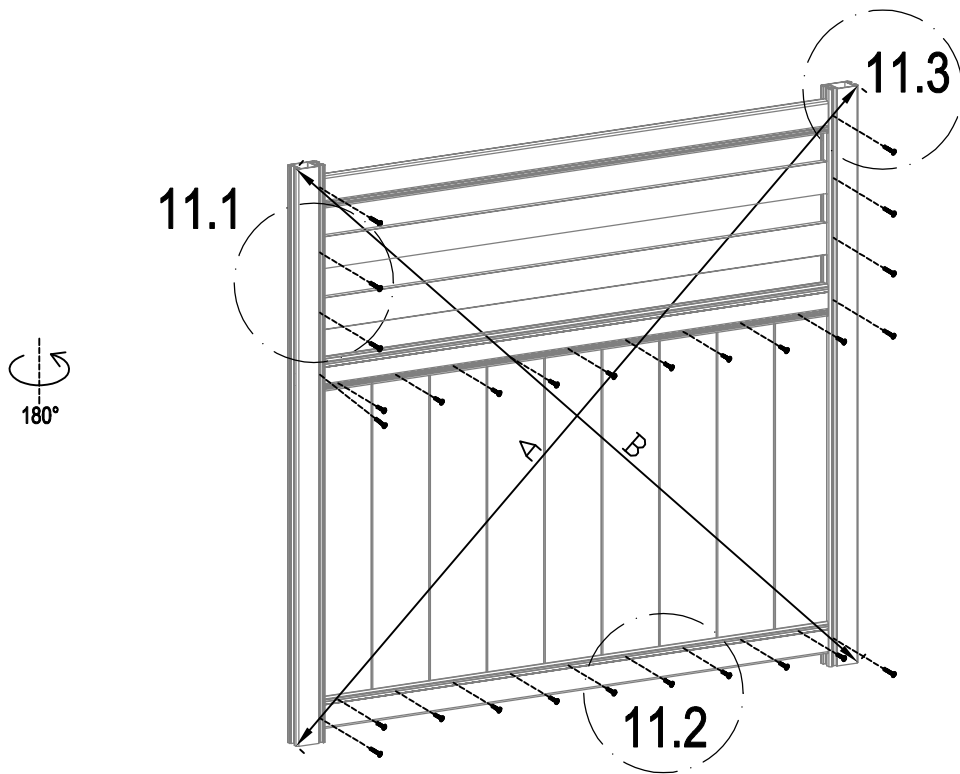
	DM-B4	2
	DM-B6	2



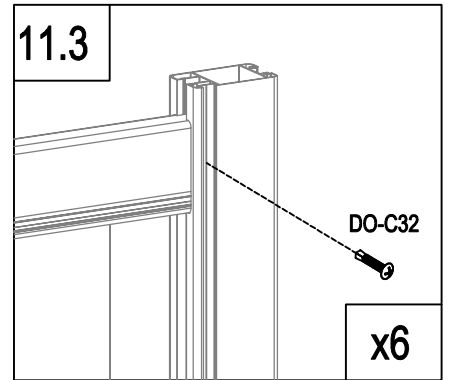
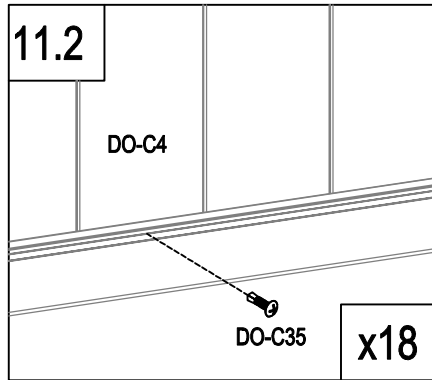
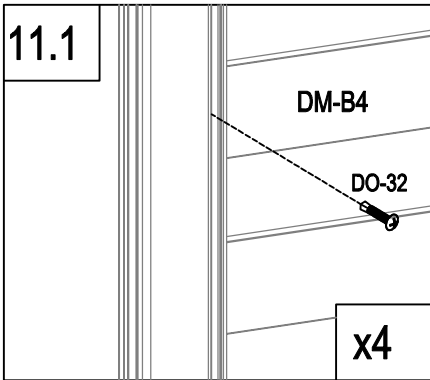
	DO-A1a	1
	Dr-28	2
	DO-28a	1
	DO-C31	6



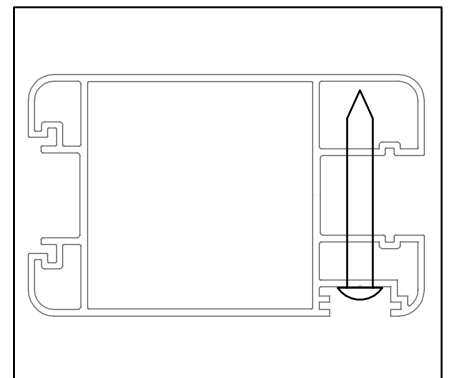
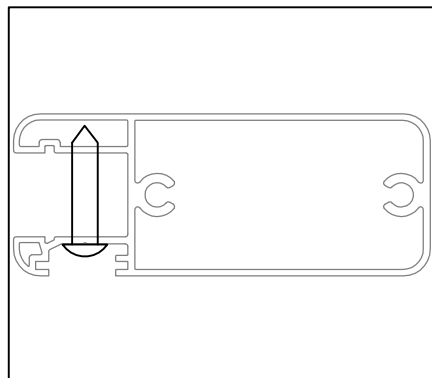
	DM-A6a	6
--	--------	---

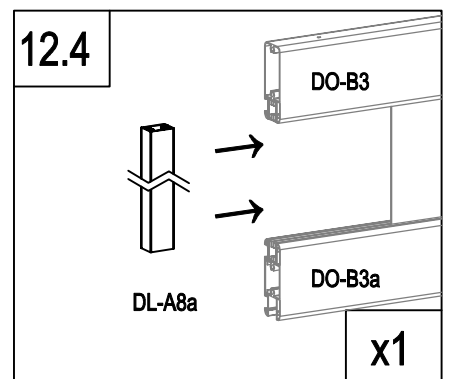
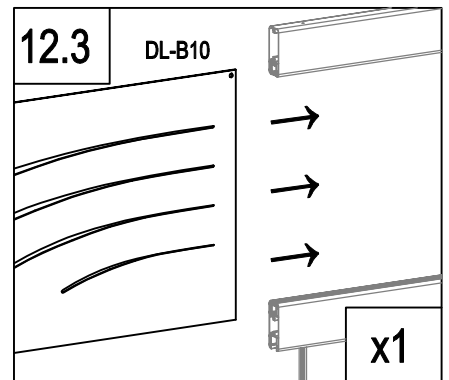
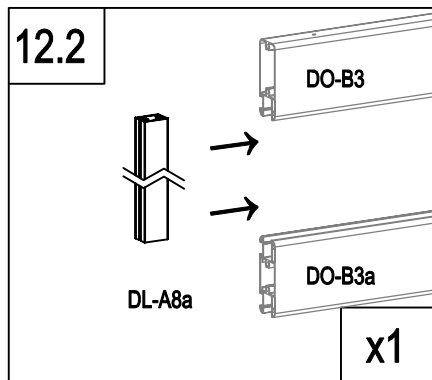
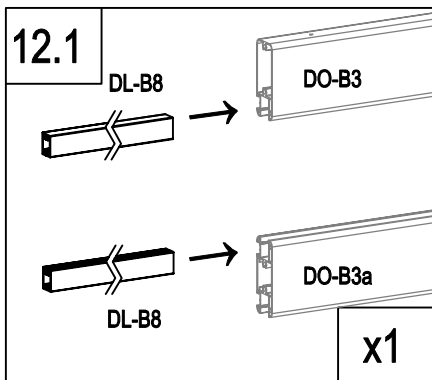
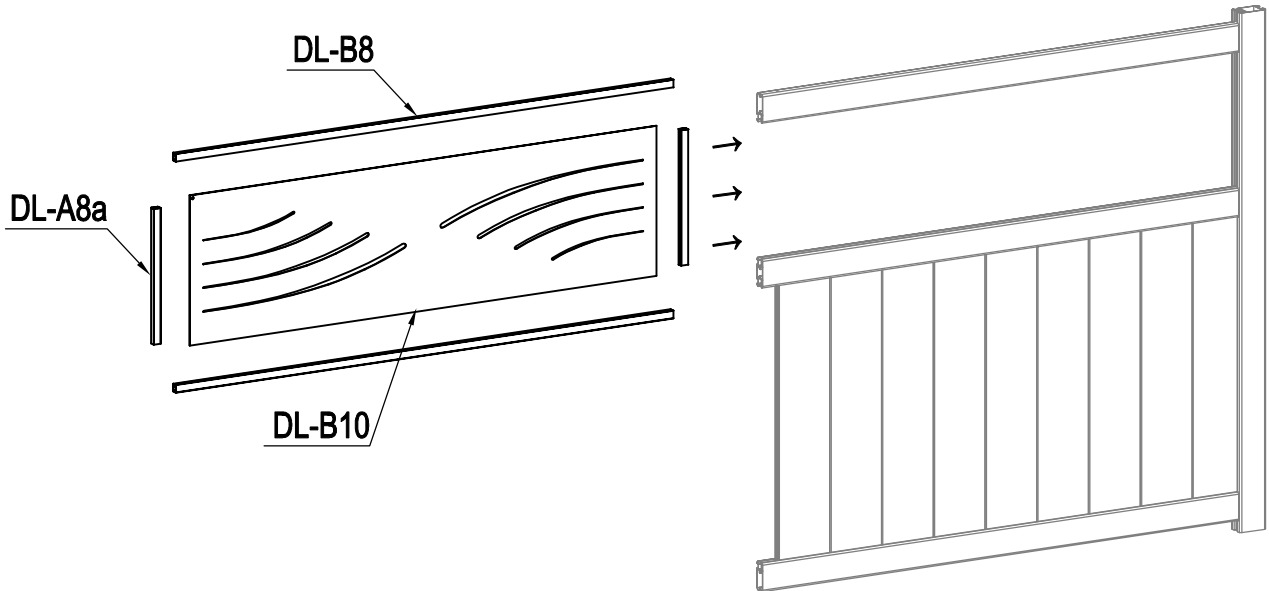


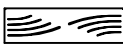
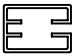
A=B

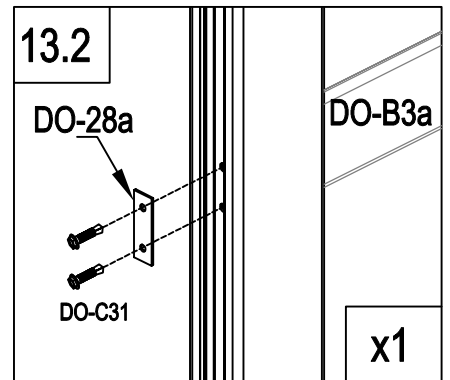
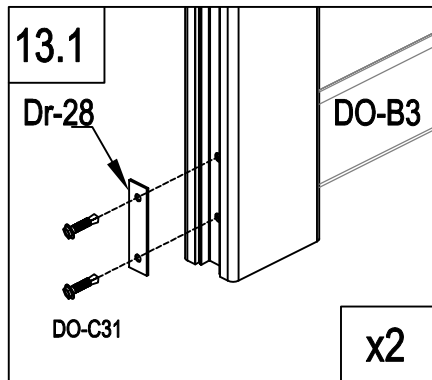
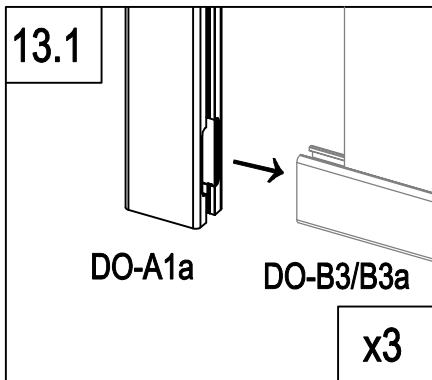
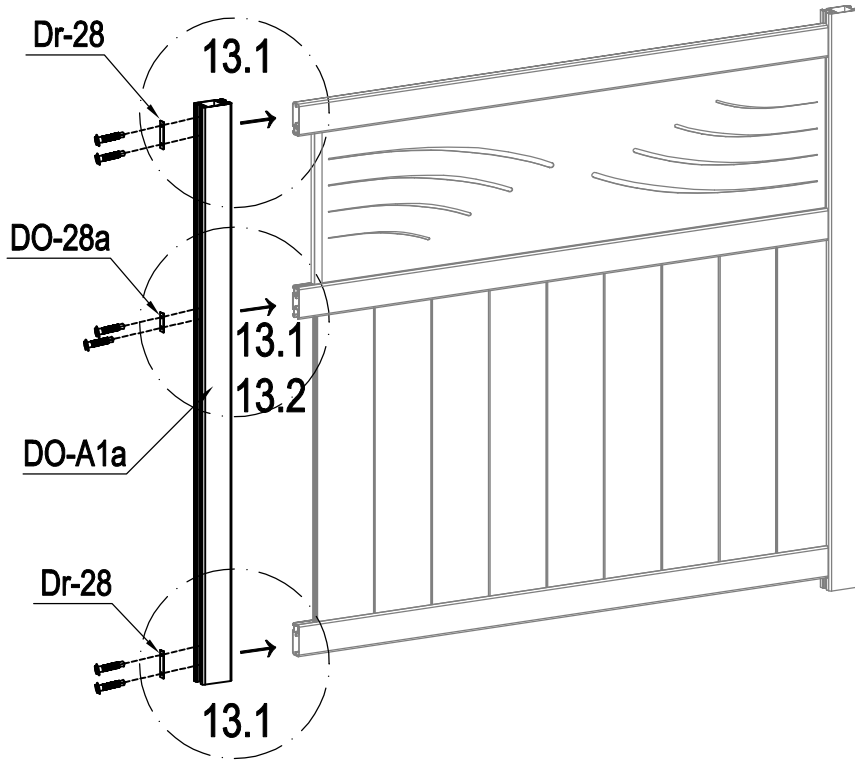


	DO-32	4
	DO-C35	18
	DO-C32	6

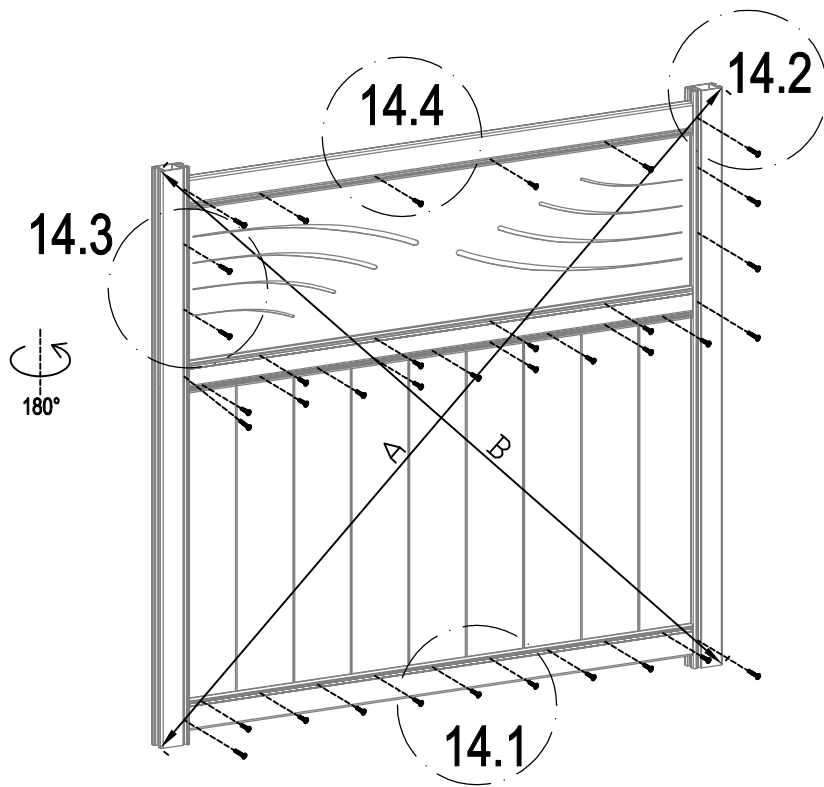




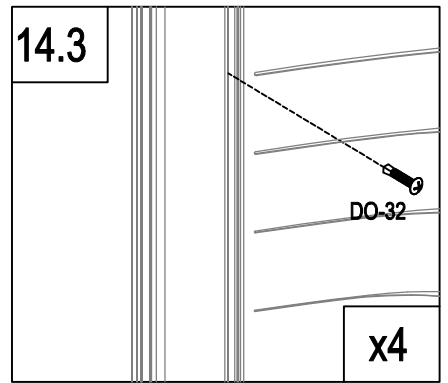
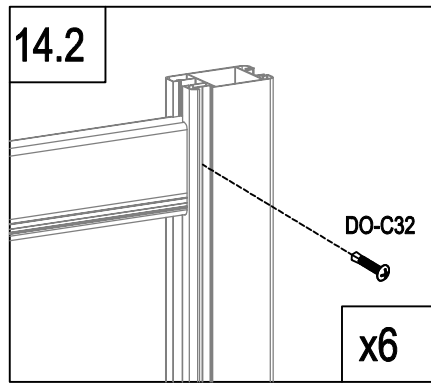
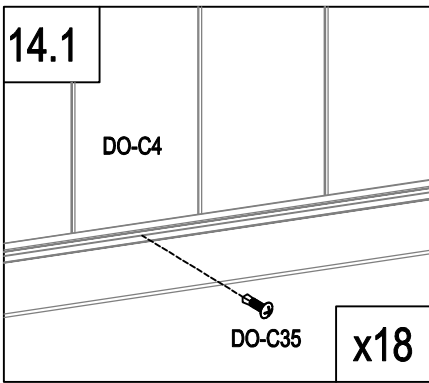
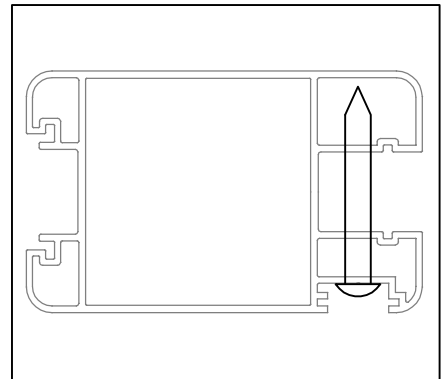
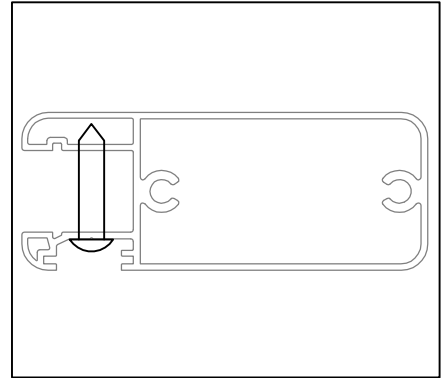
	DL-B10	1
	DL-B8	2
	DL-A8a	2



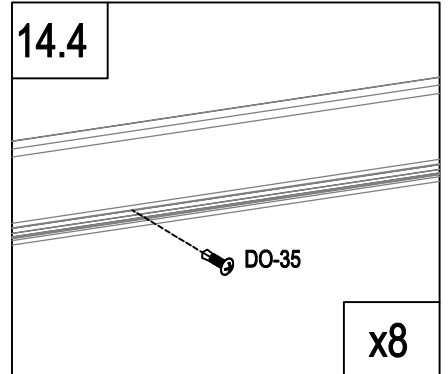
	DO-A1a	1
	Dr-28	2
	DO-28a	1
	DO-C31	6

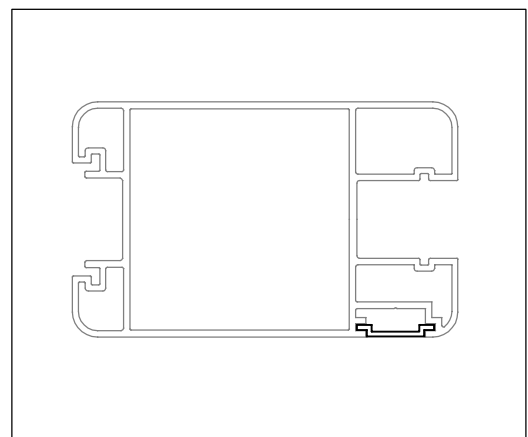
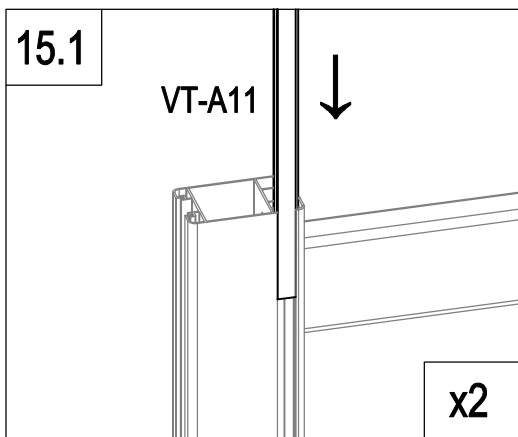
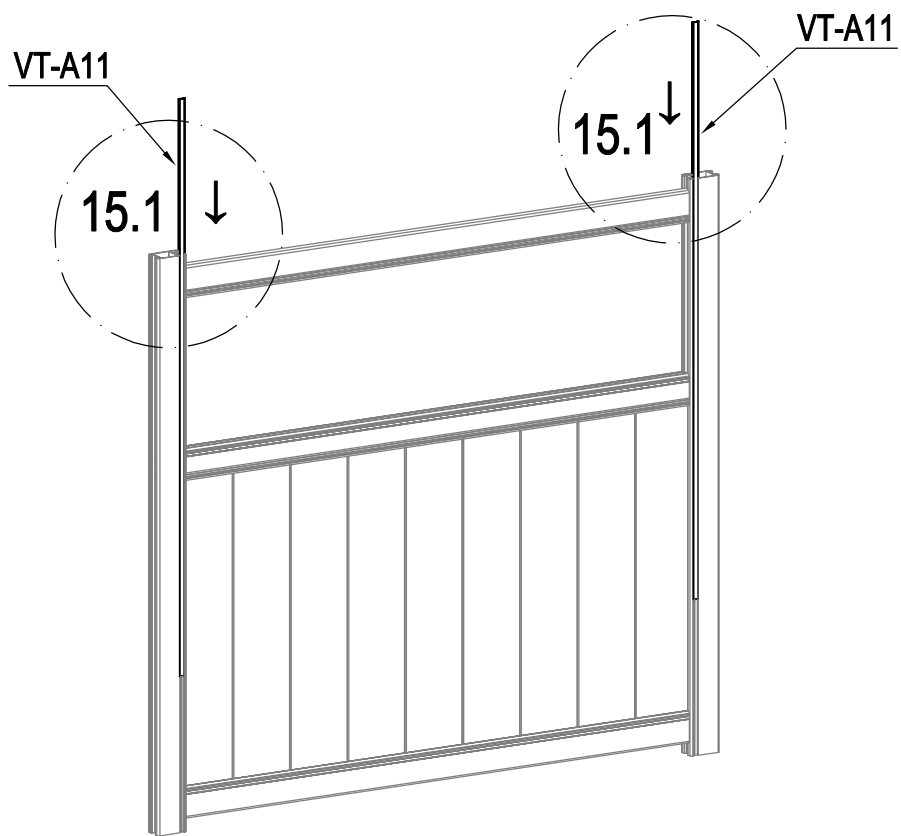


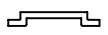
A=B

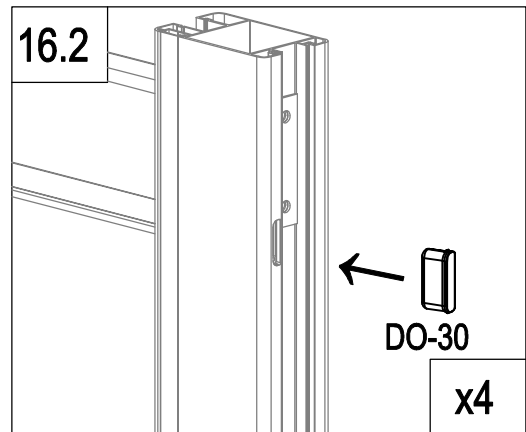
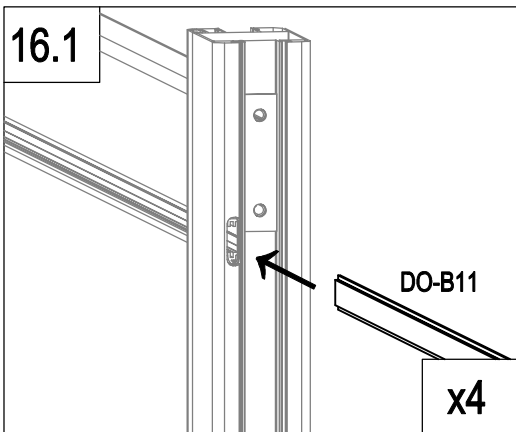
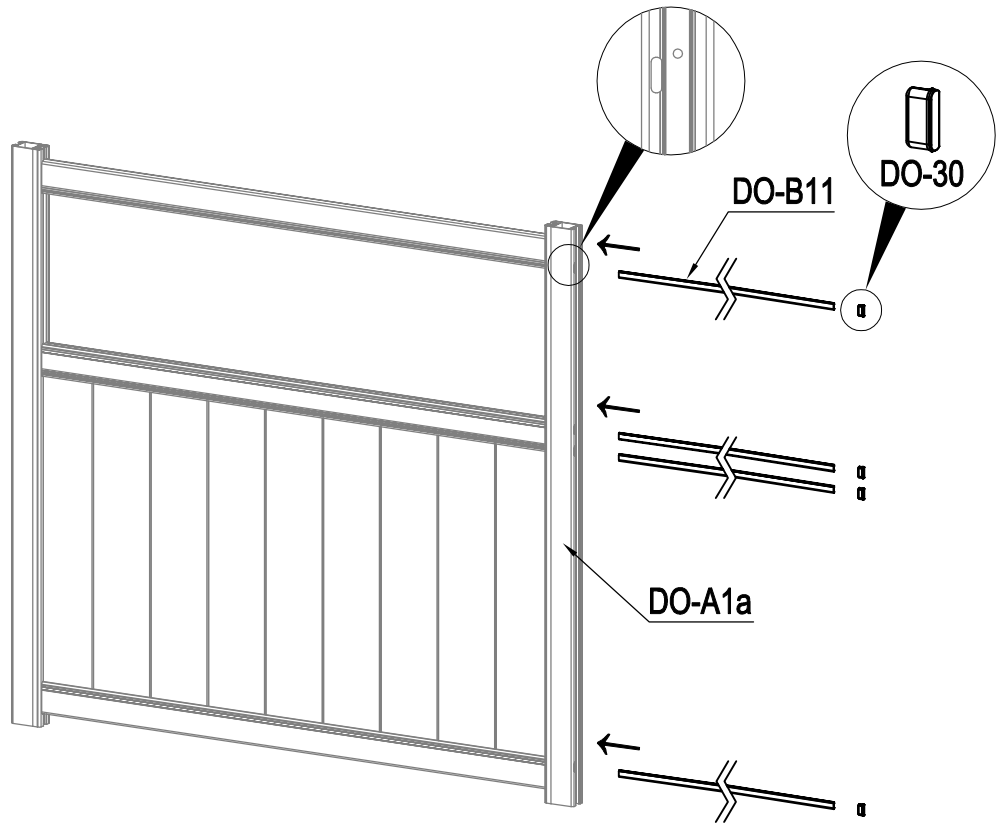


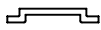

	DO-32	4
	DO-35	8
	DO-C35	18
	DO-C32	6

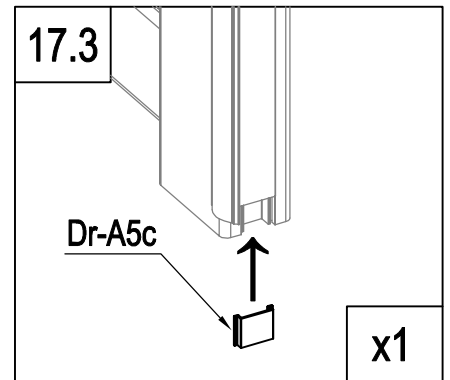
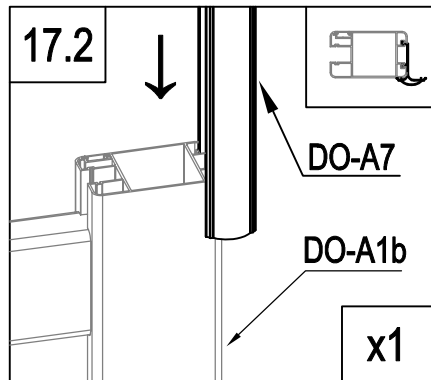
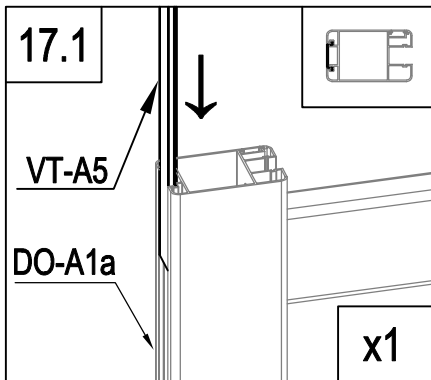
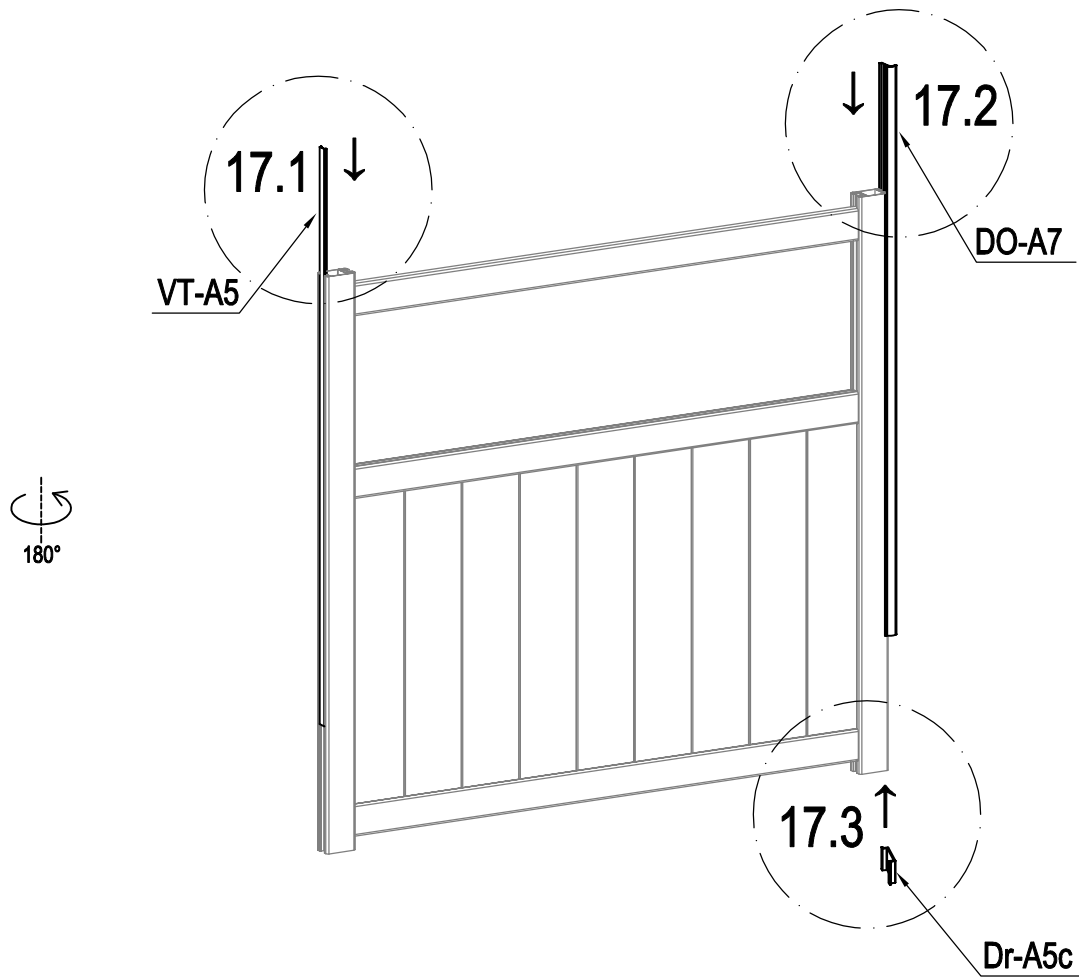



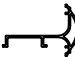


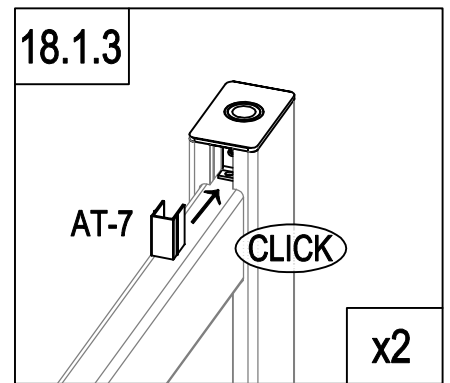
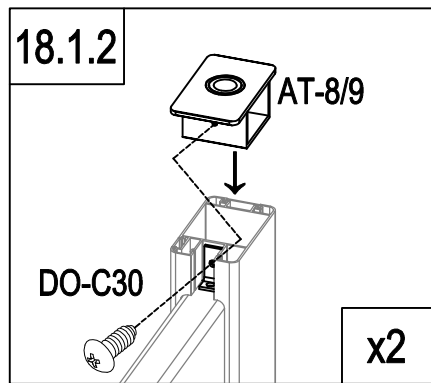
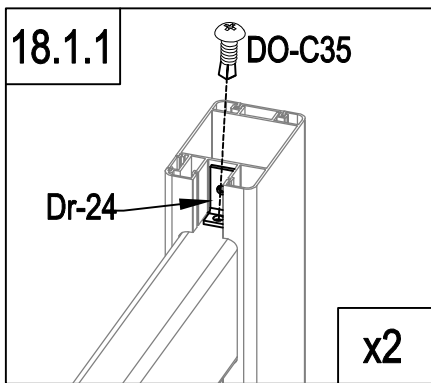
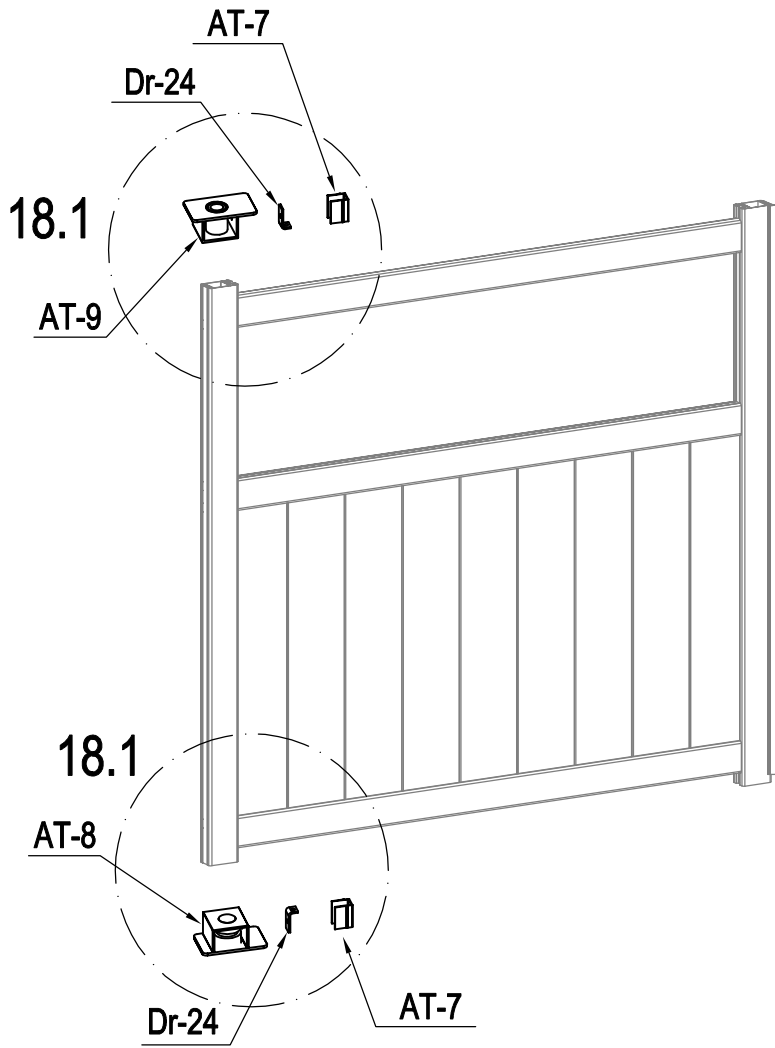
	VT-A11	2
---	--------	---



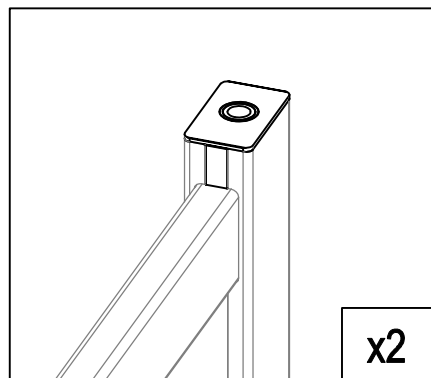
	DO-B11	4
	DO-30	4



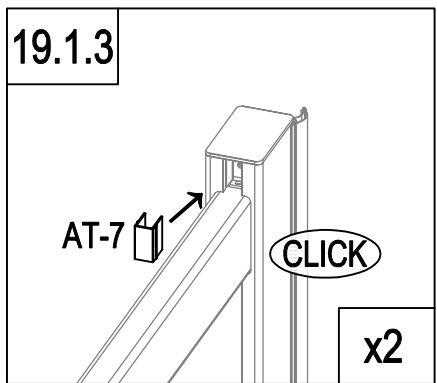
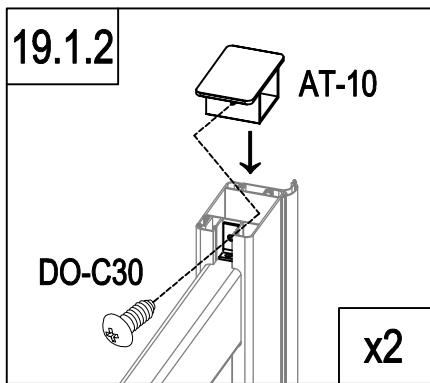
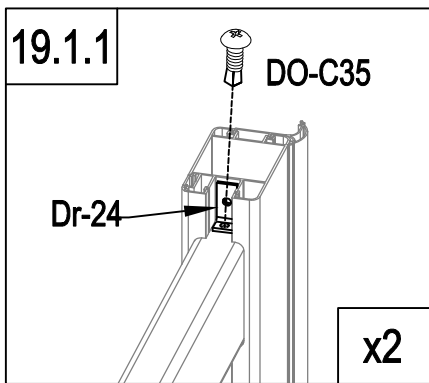
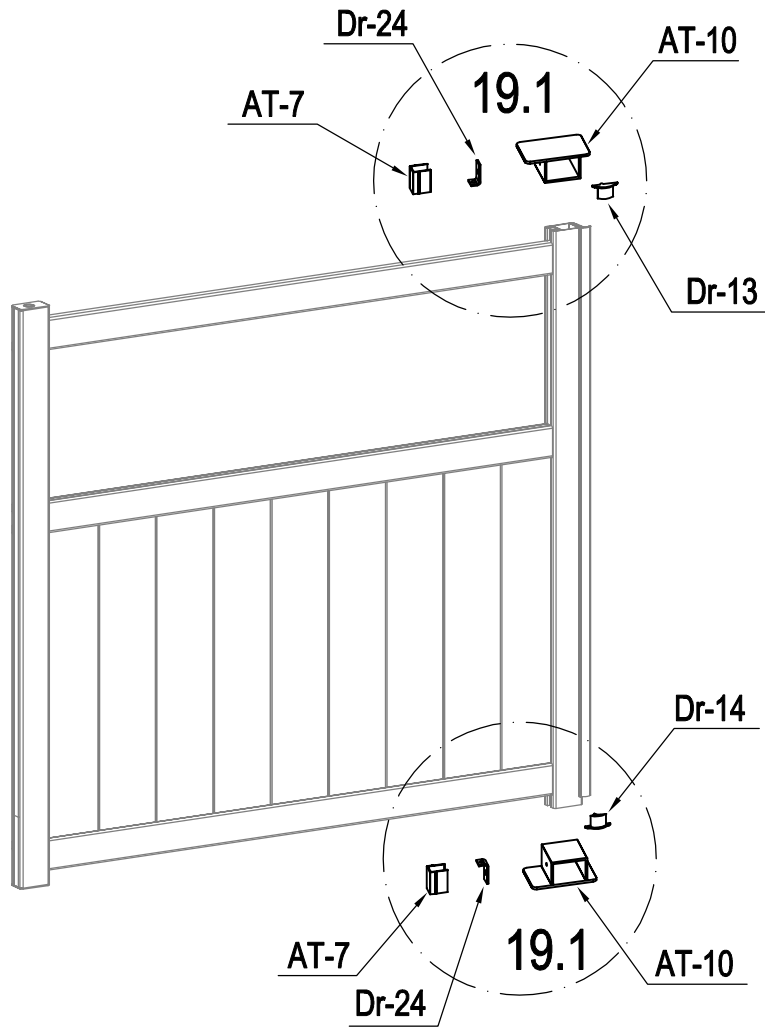
	VT-A5	1
	Dr-A5c	1
	DO-A7	1



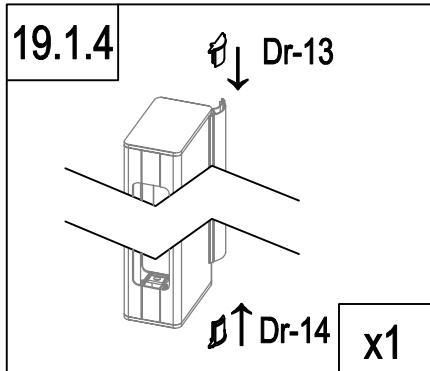
	AT-8	1
	AT-9	1
	Dr-24	2



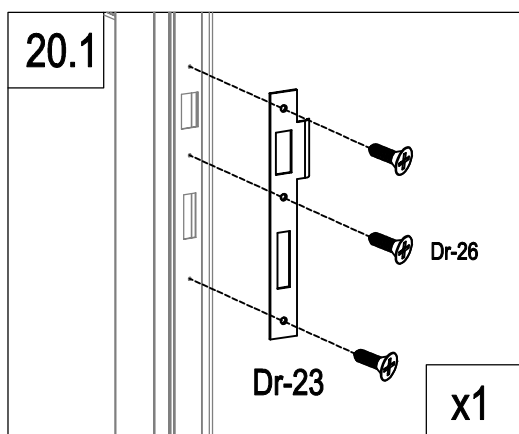
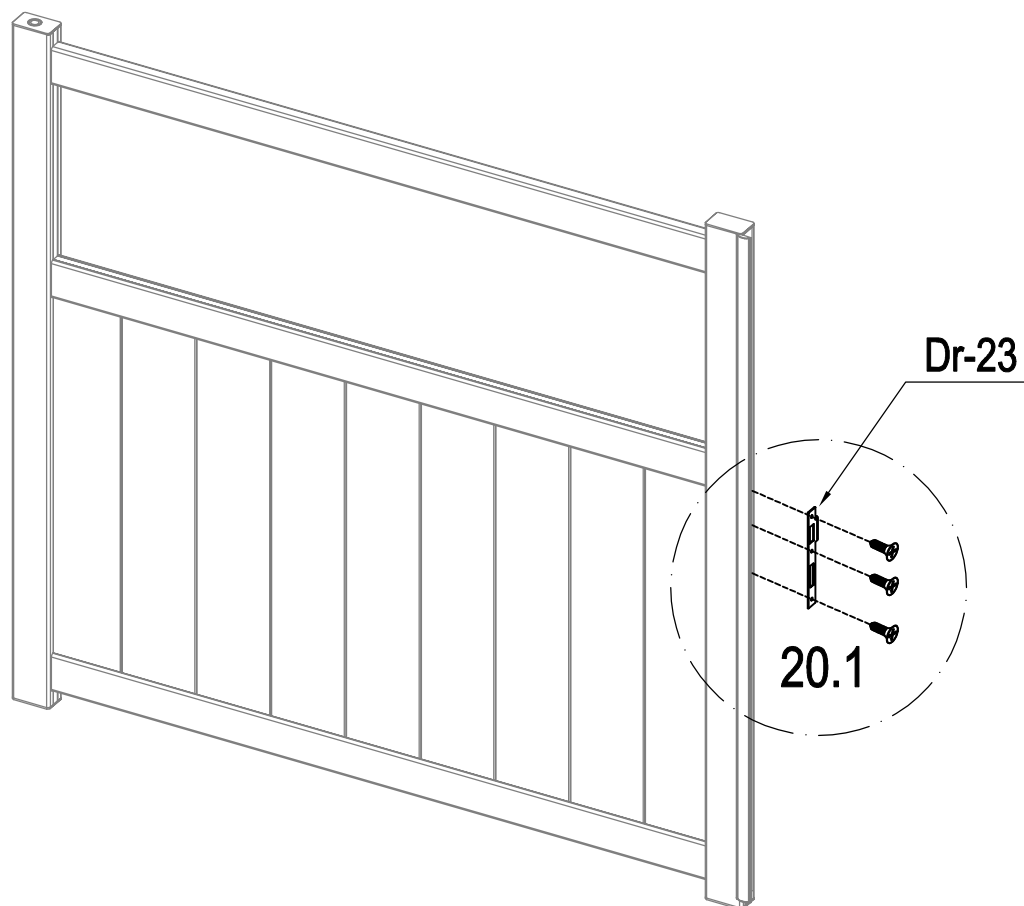
	AT-7	2
	DO-C30	2
	DO-C35	2



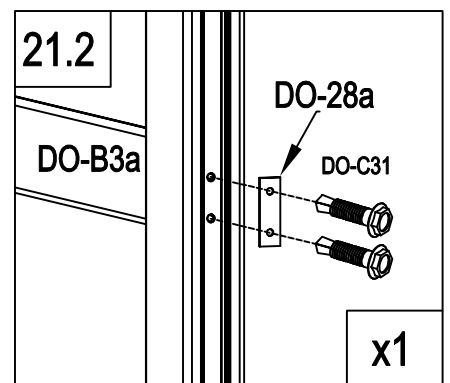
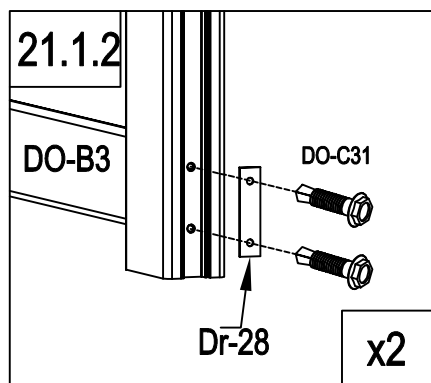
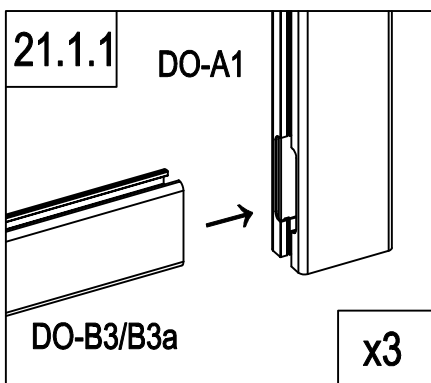
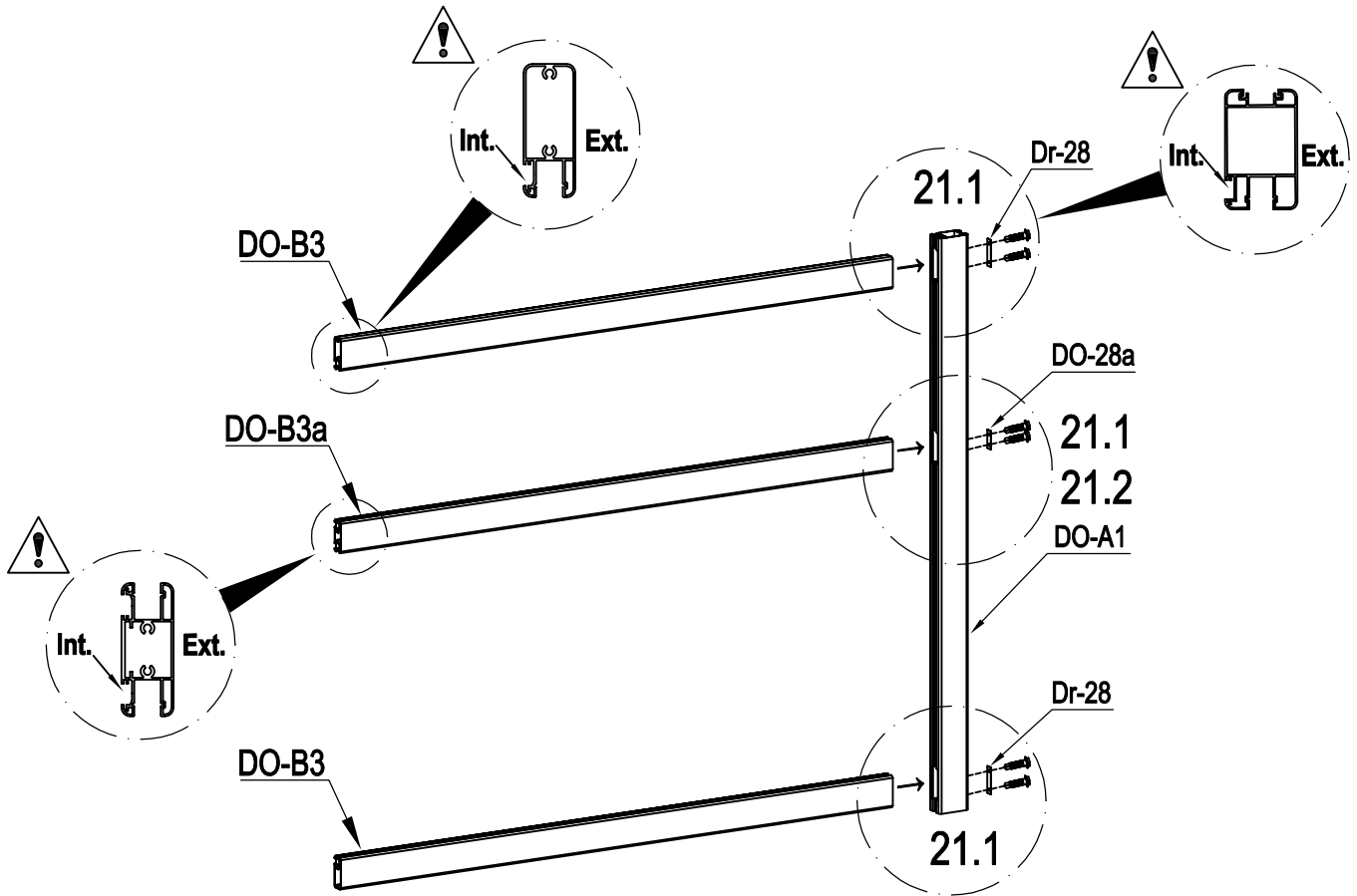
	AT-10	2
	Dr-24	2
	AT-7	2
	Dr-13	1



	Dr-14	1
	DO-C30	2
	DO-C35	2

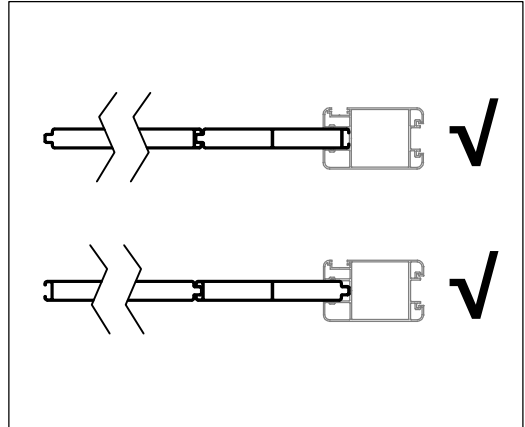
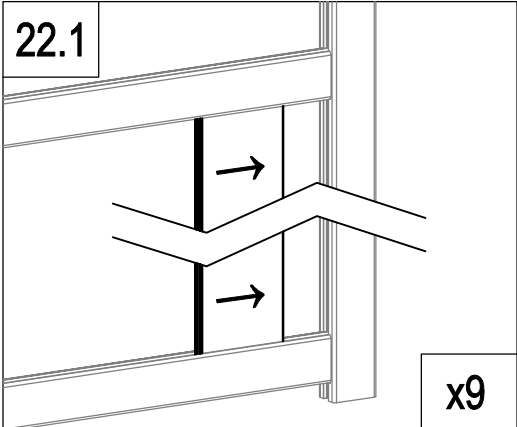
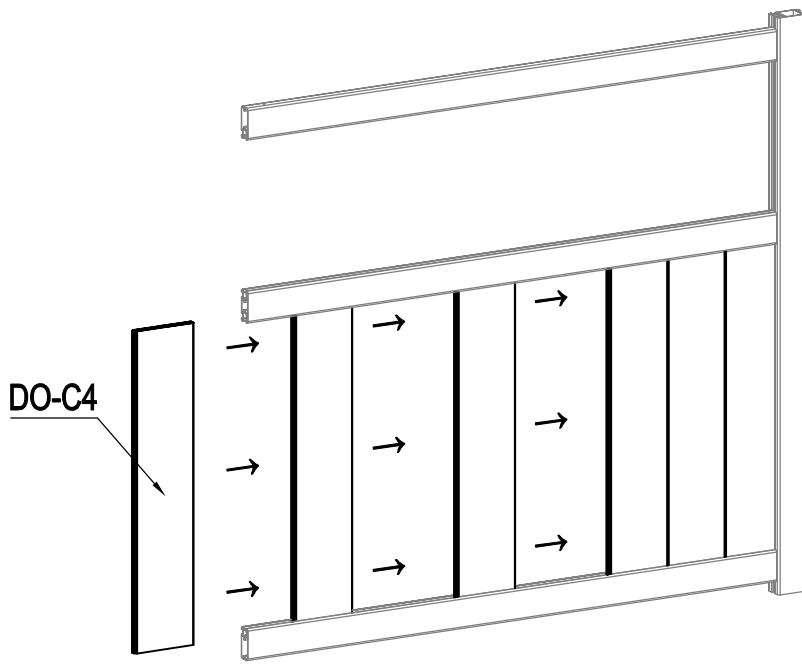


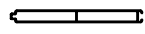
	Dr-23	1
	Dr-26	3

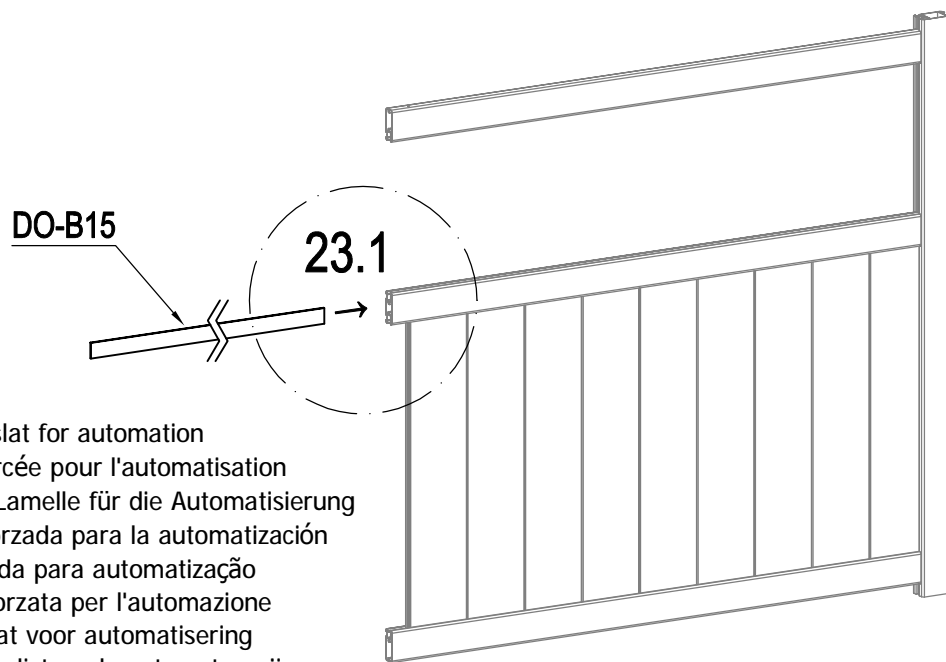


	DO-A1	1
	DO-B3	2
	DO-B3a	1

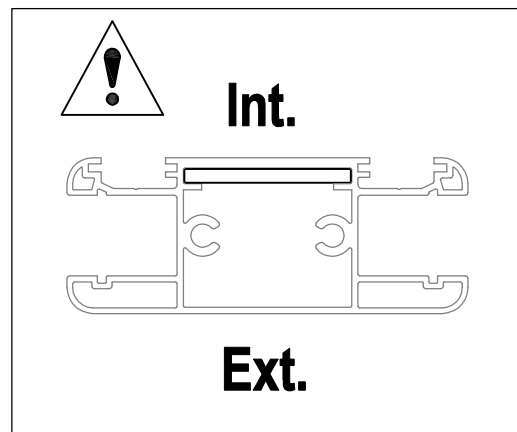
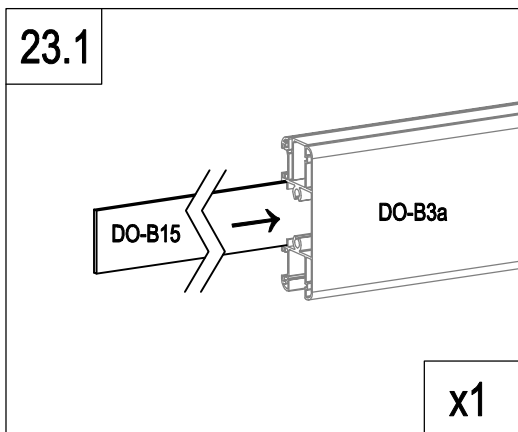
	Dr-28	2
	DO-28a	1
	DO-C31	6

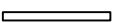


	DO-C4	9
---	-------	---

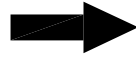
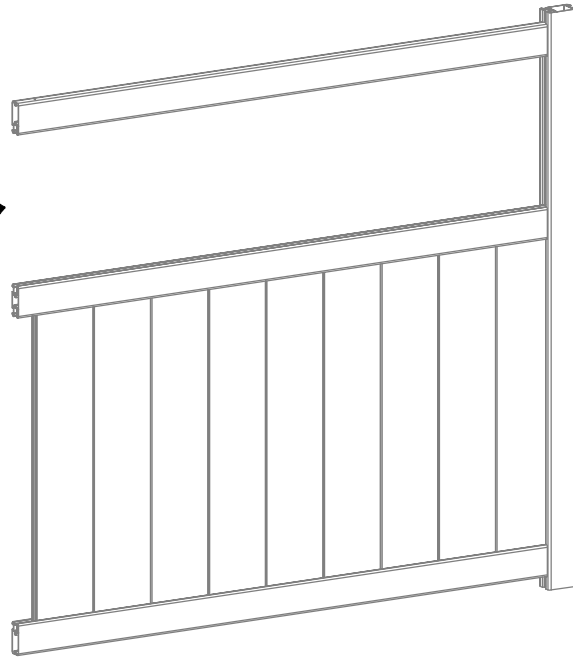


- EN: reinforced slat for automation
- FR : lame renforcée pour l'automatisation
- DE : verstärkte Lamelle für die Automatisierung
- ES: Lámina reforzada para la automatización
- PT: ripa reforçada para automatização
- IT: lamella rinforzata per l'automazione
- NL: versterkte lat voor automatisering
- PL: wzmocniona listwa do automatyzacji

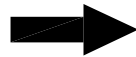


	DO-B15	1
---	--------	---

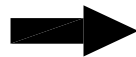
Optional Kit →



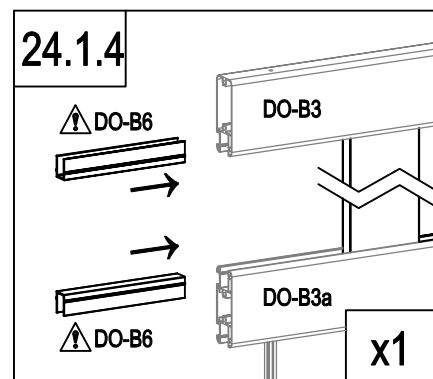
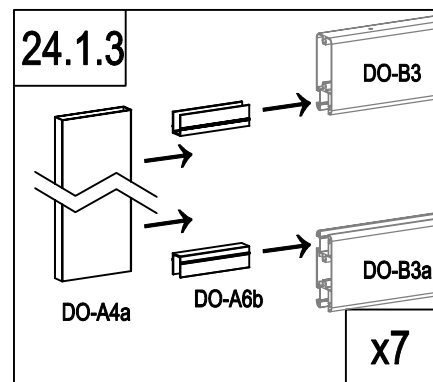
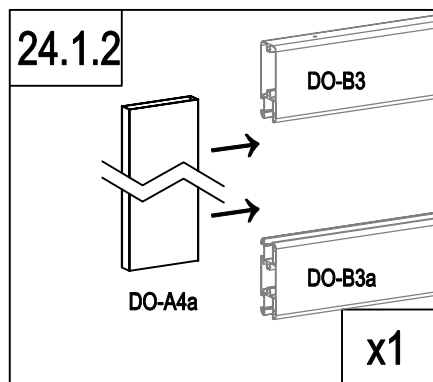
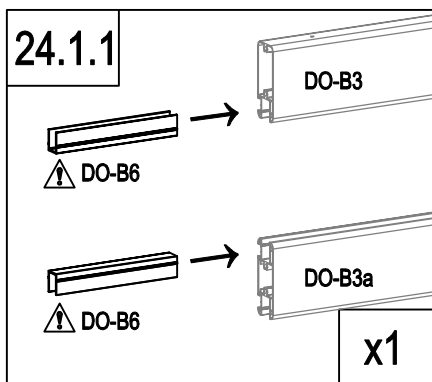
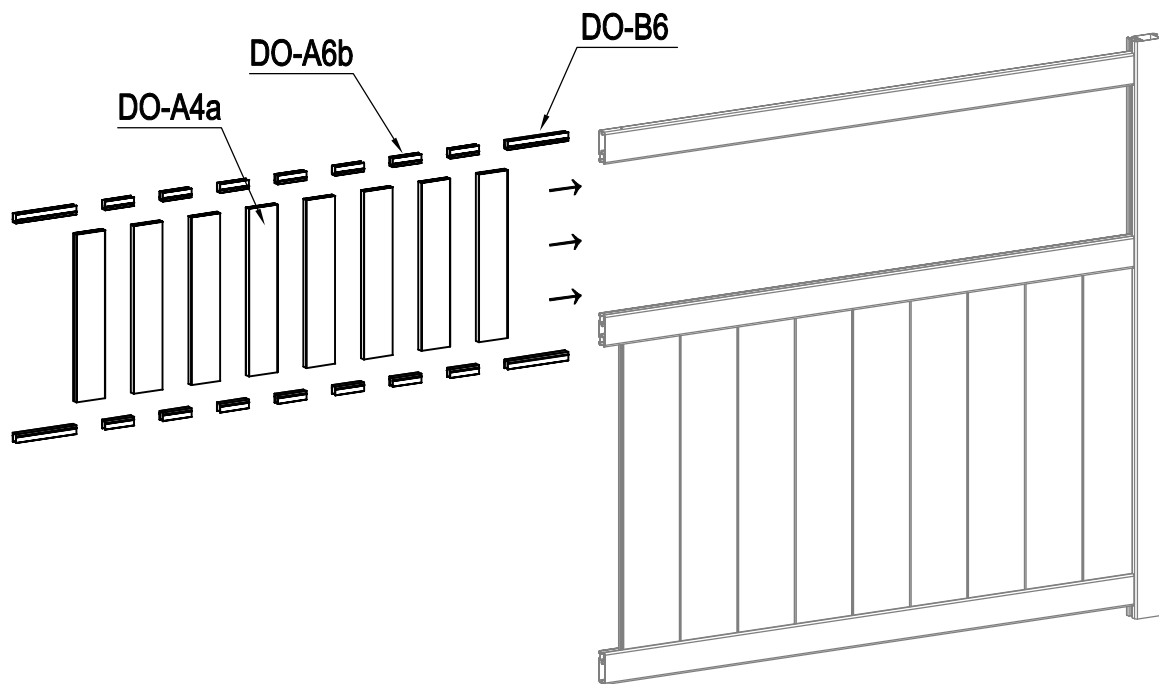
P 26~29



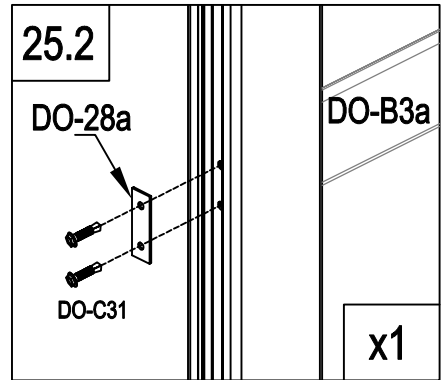
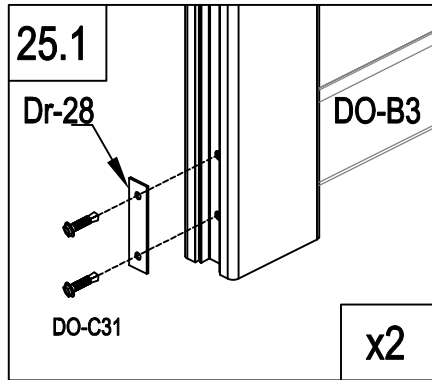
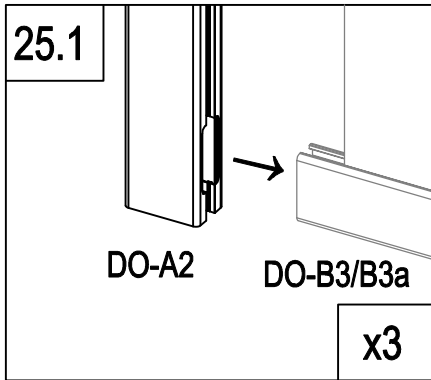
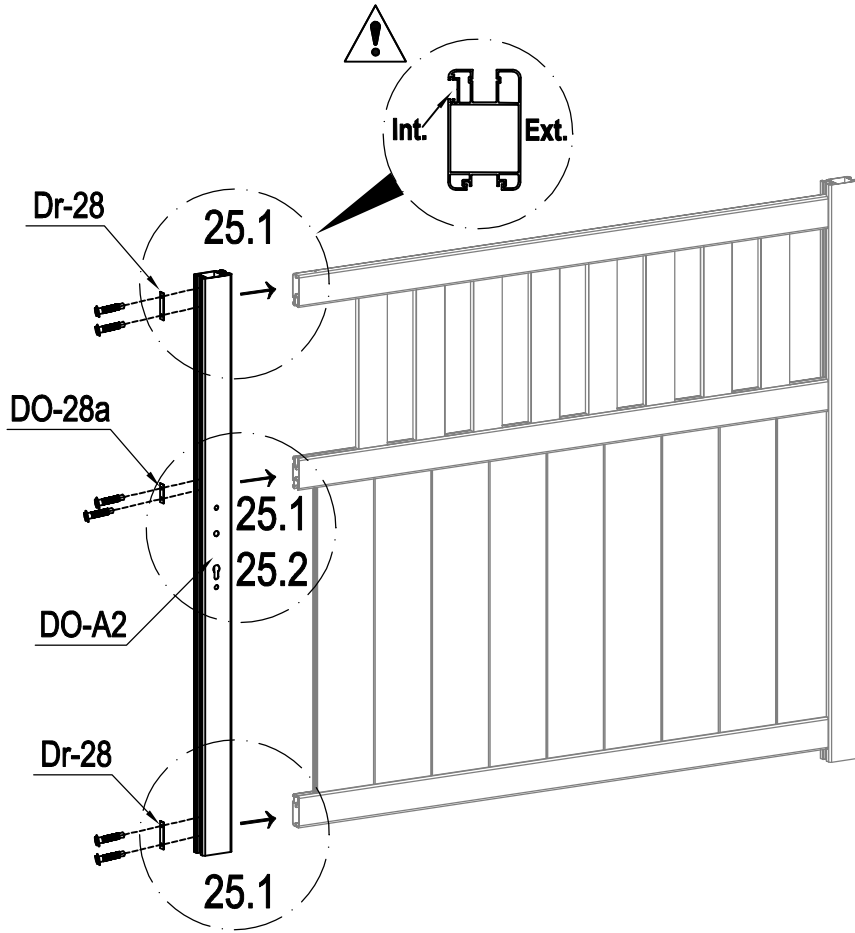
P 30~33



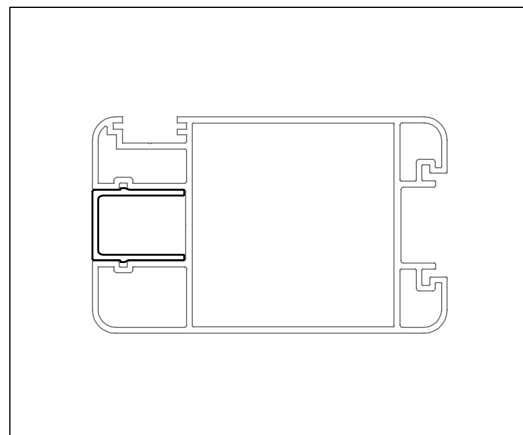
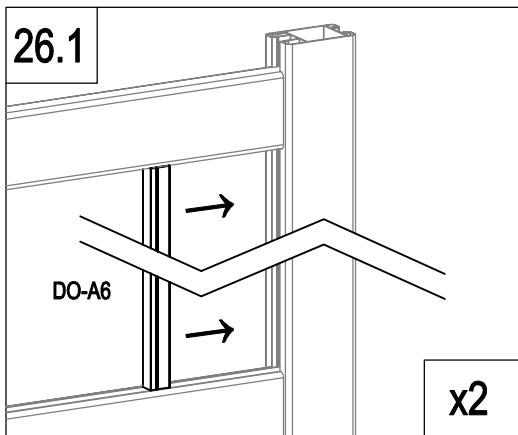
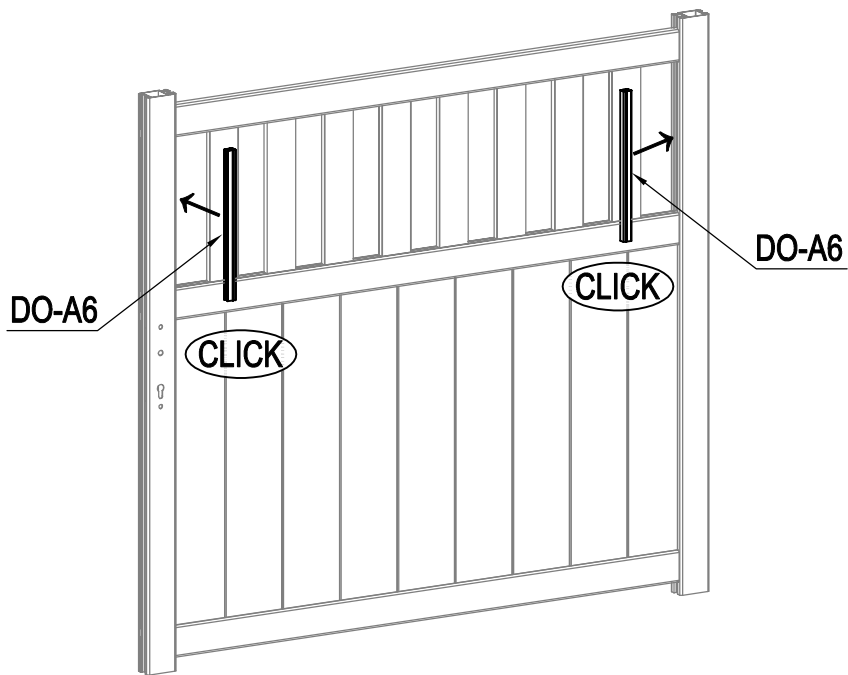
P 34~36



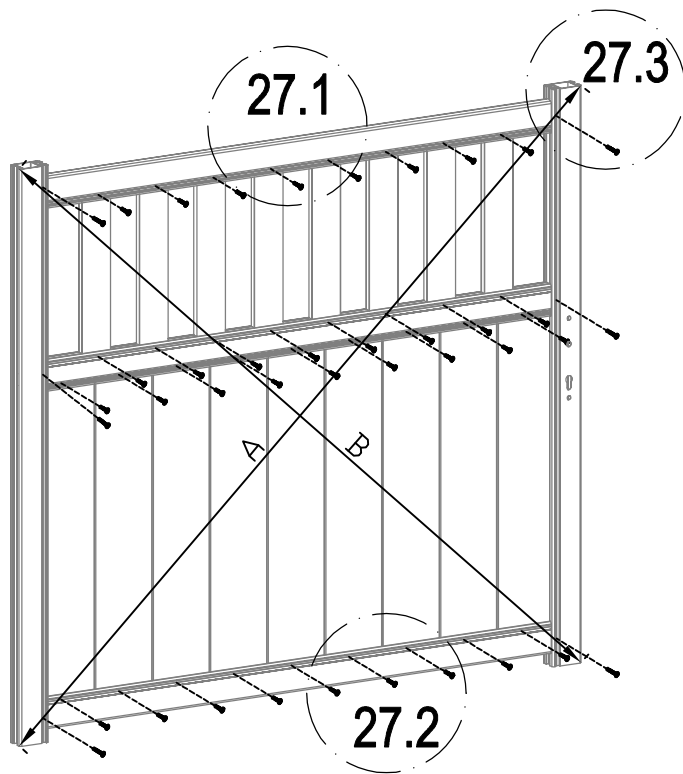
	DO-A4a	406mm	8
	DO-B6	163mm	4
	DO-A6b	77.5mm	14



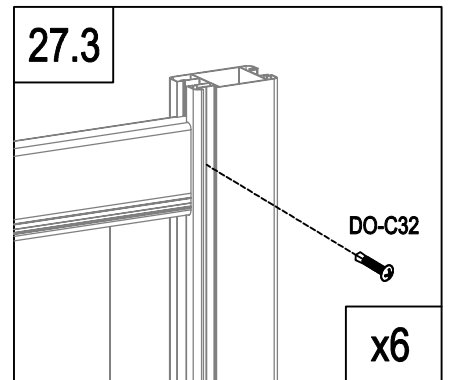
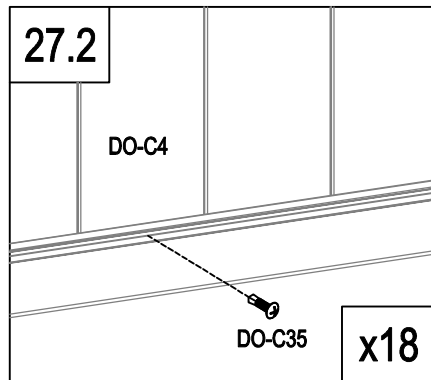
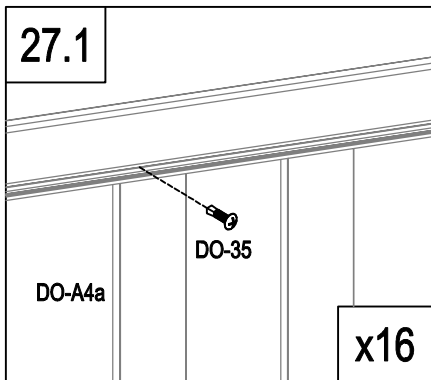
	DO-A2	1
	Dr-28	2
	DO-28a	1
	DO-C31	6



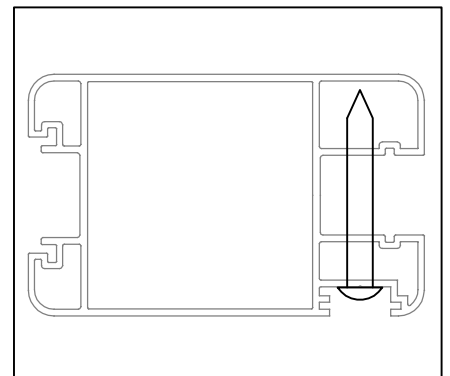
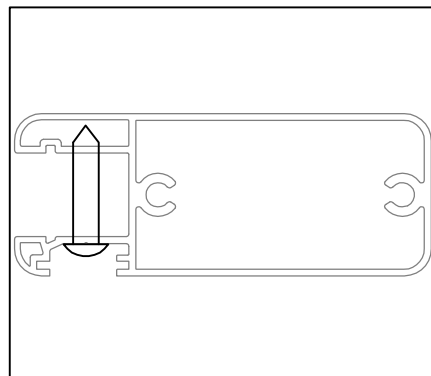
	DO-A6	2
--	-------	---

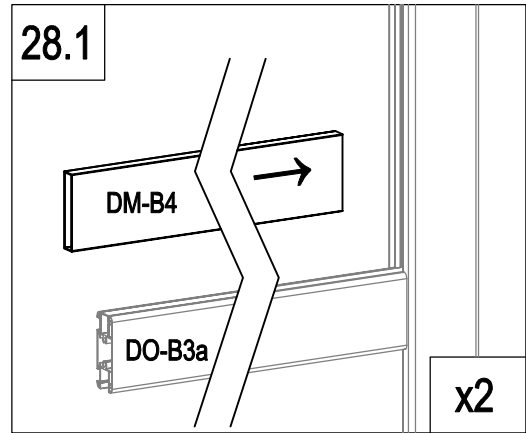
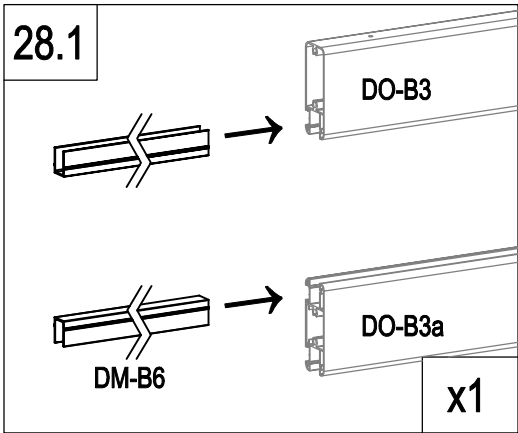
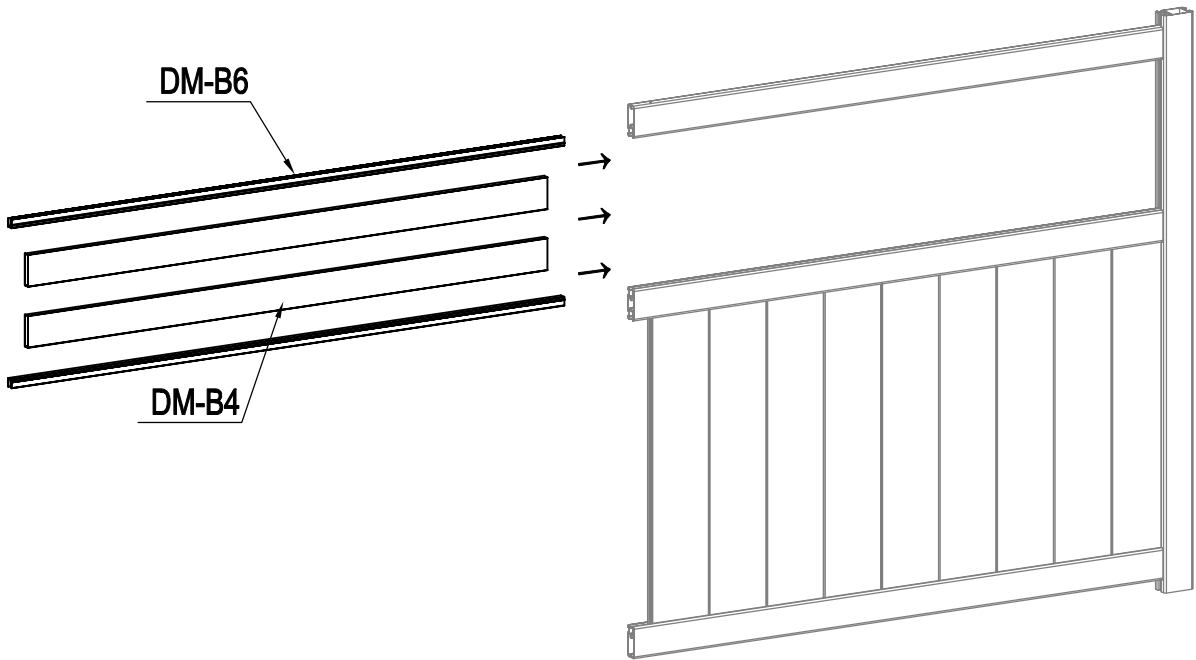


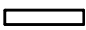

! A=B

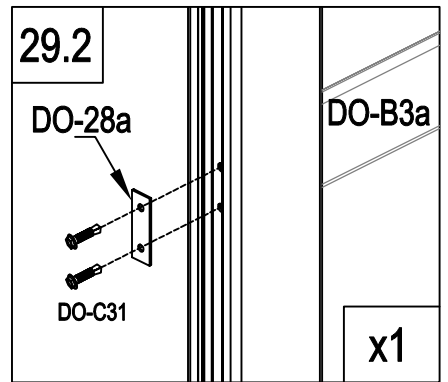
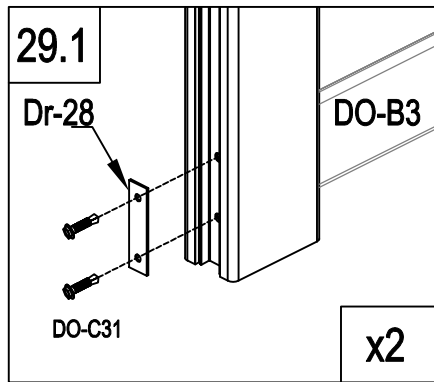
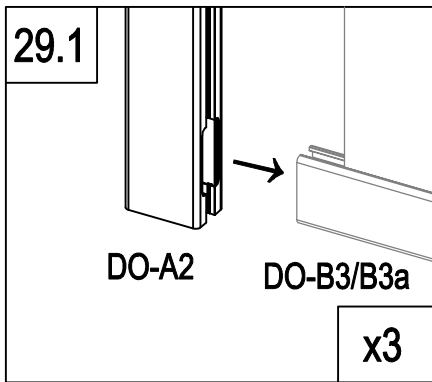
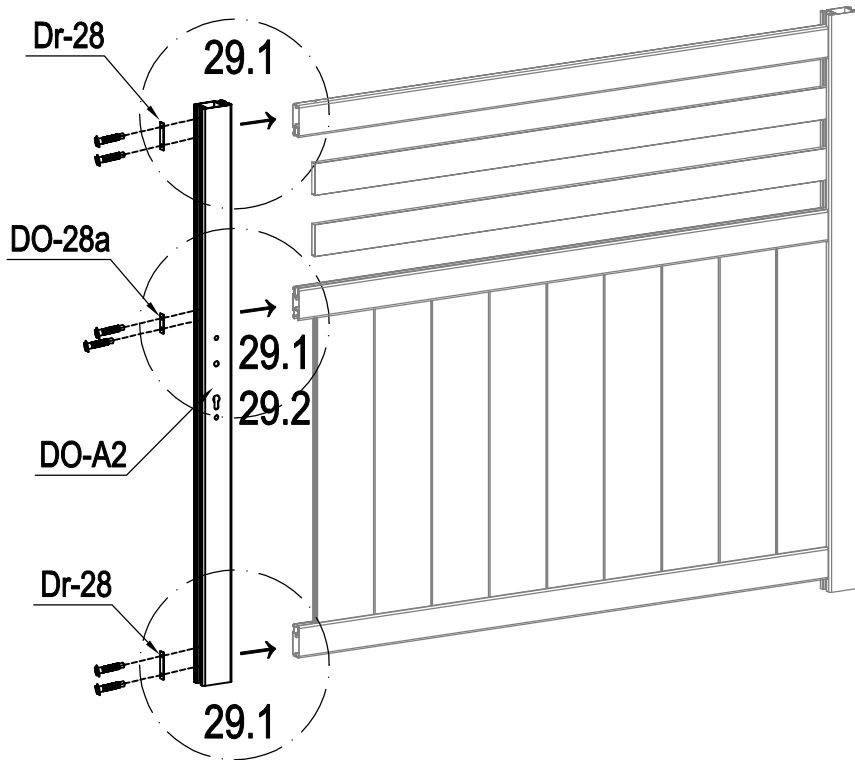


	DO-35	16
	DO-C35	18
	DO-C32	6

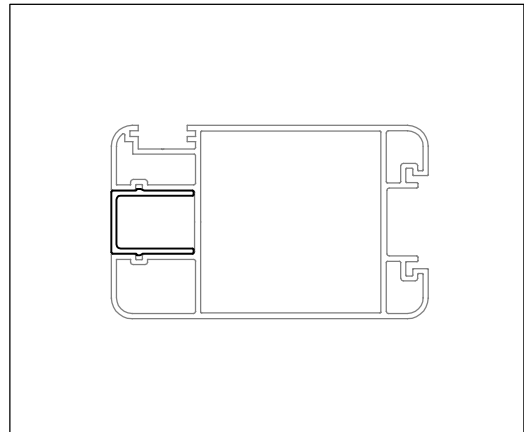
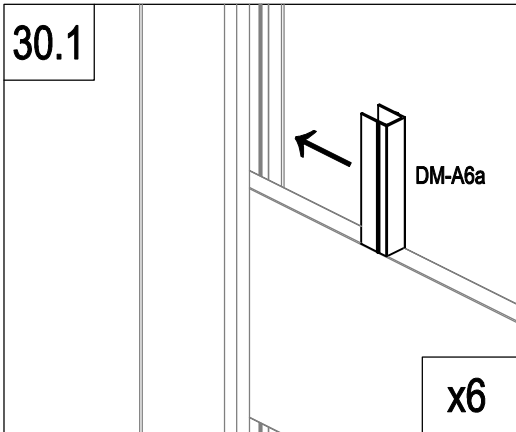
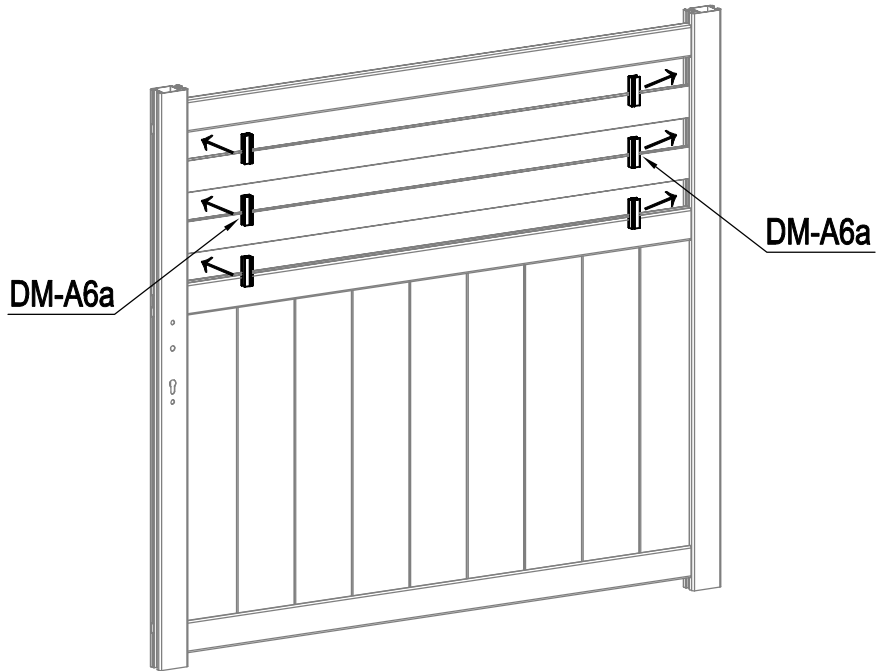




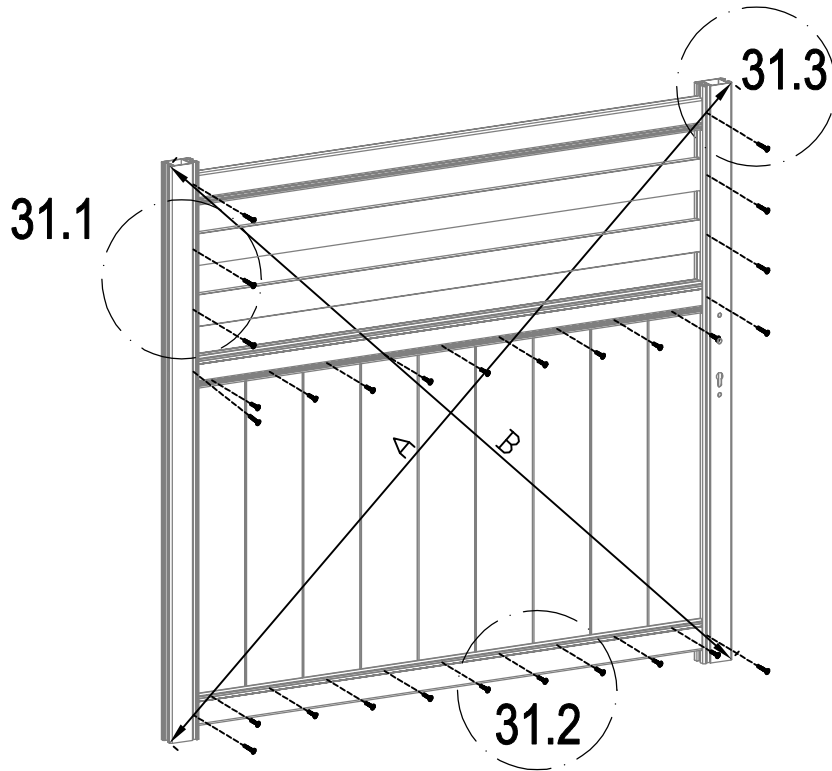
	DM-B4	2
	DM-B6	2



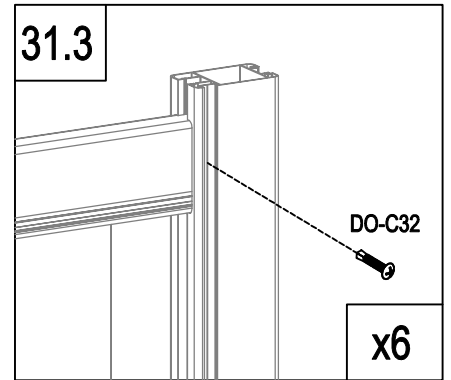
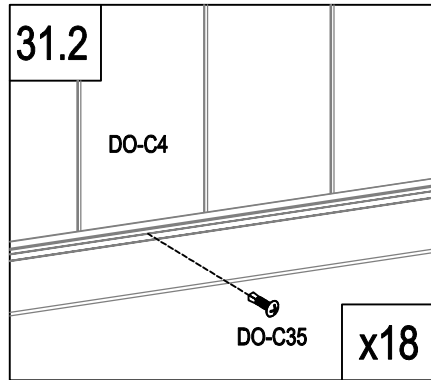
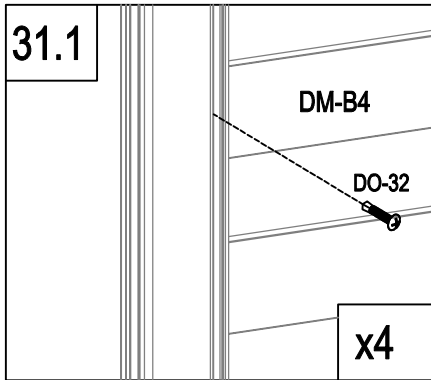
	DO-A2	1
	Dr-28	2
	DO-28a	1
	DO-C31	6



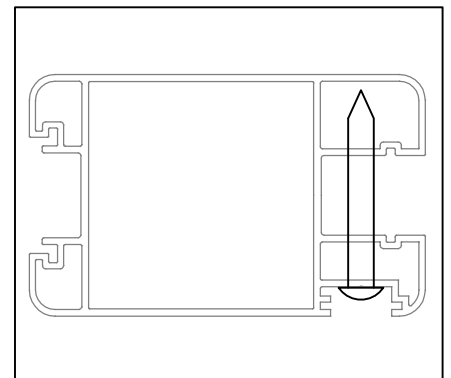
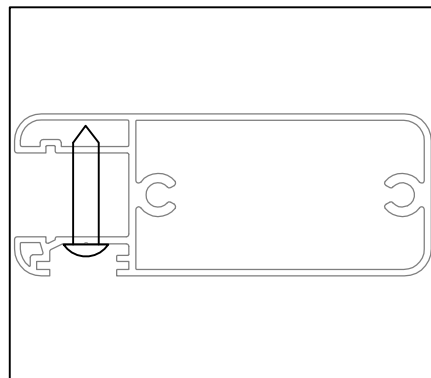
	DM-A6a	6
--	--------	---

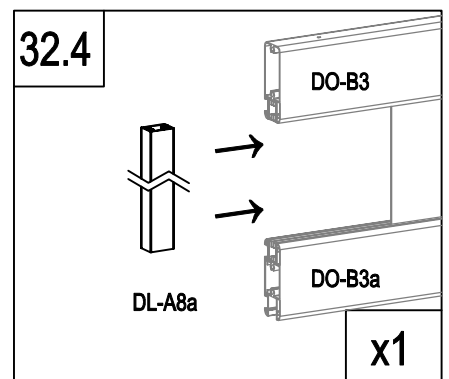
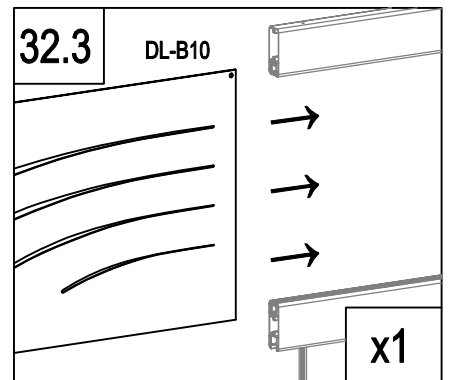
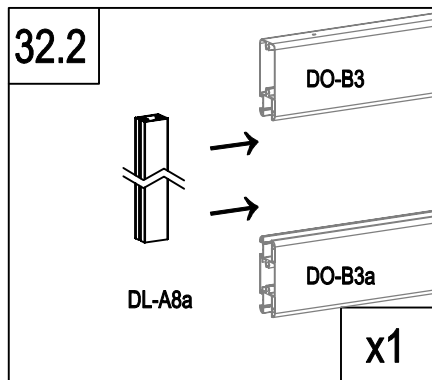
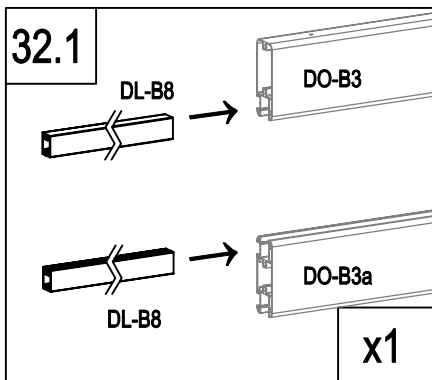
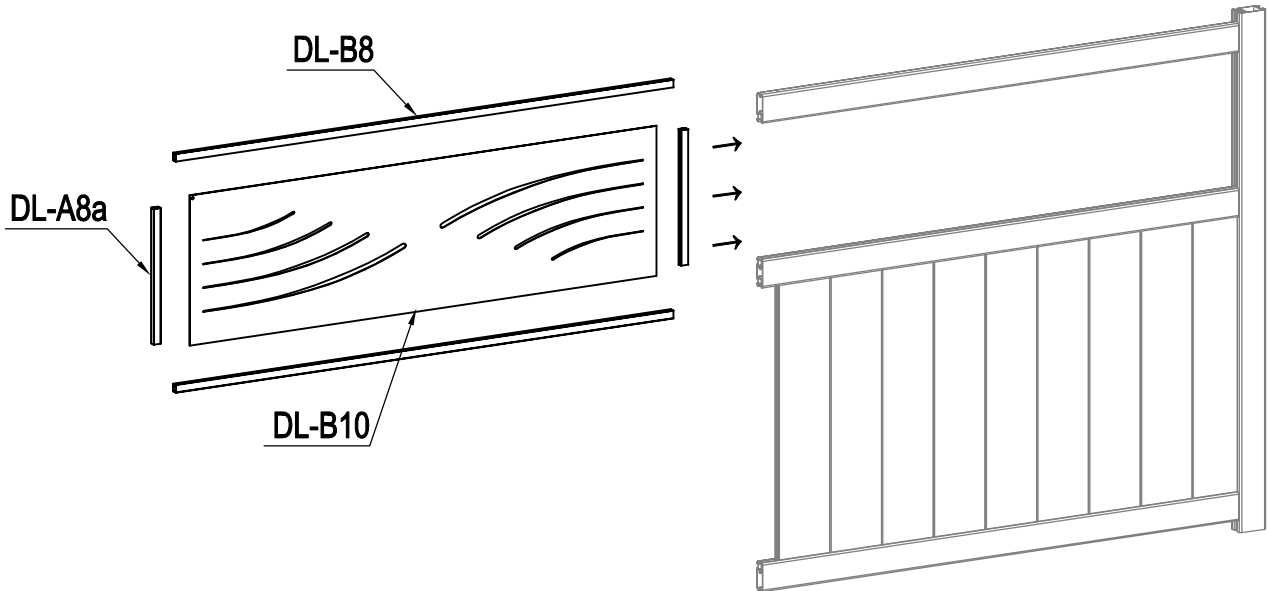


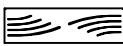
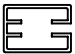
A=B

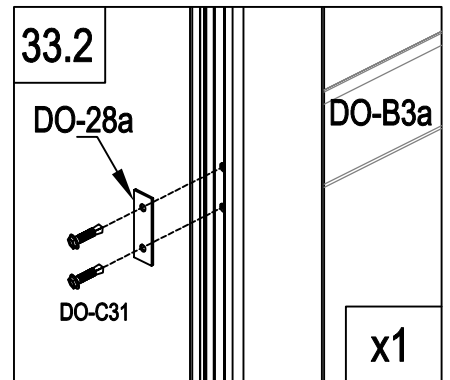
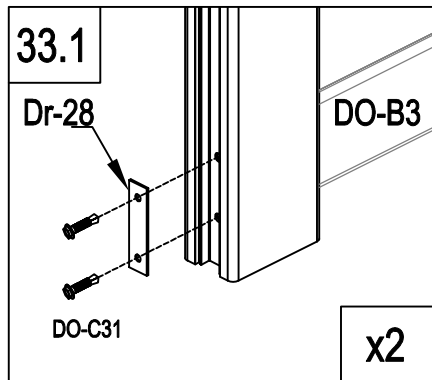
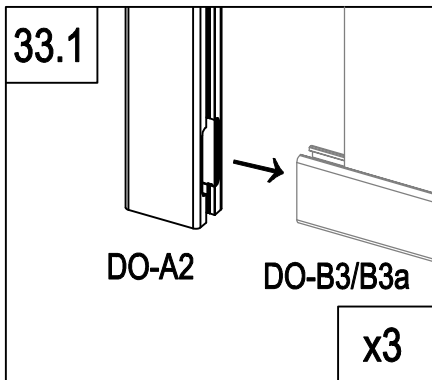
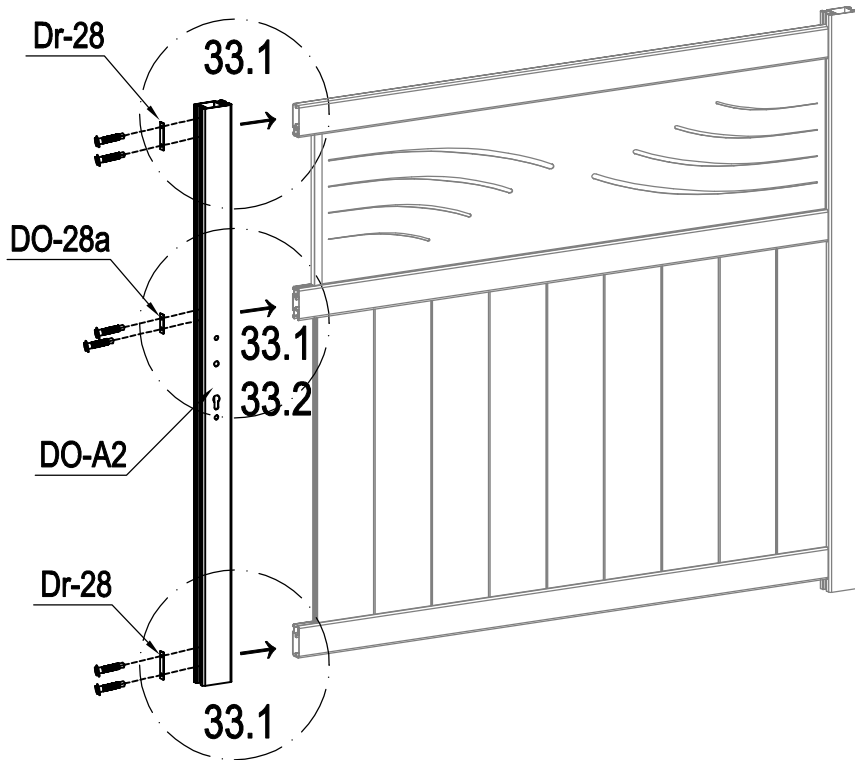


	DO-32	4
	DO-C35	18
	DO-C32	6

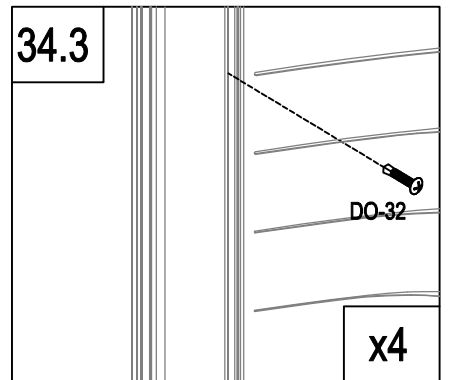
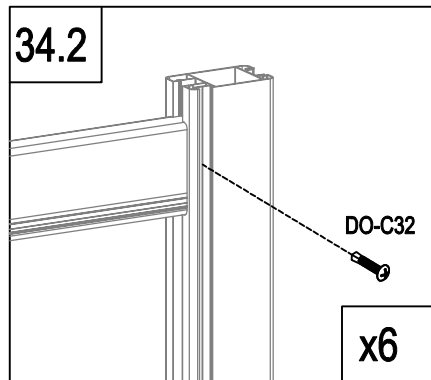
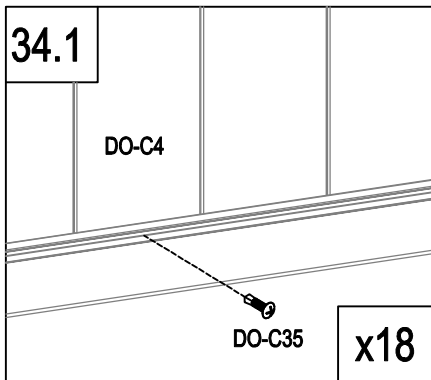
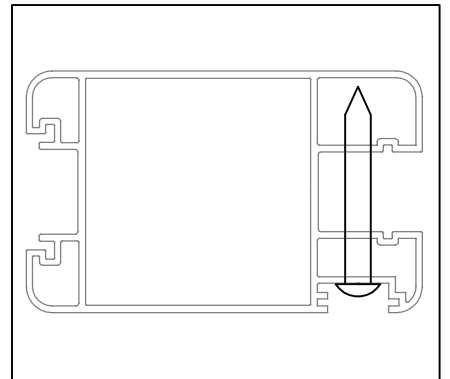
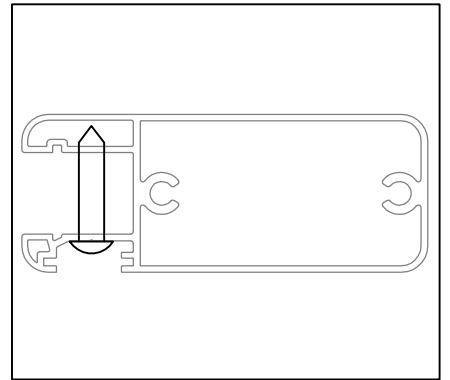
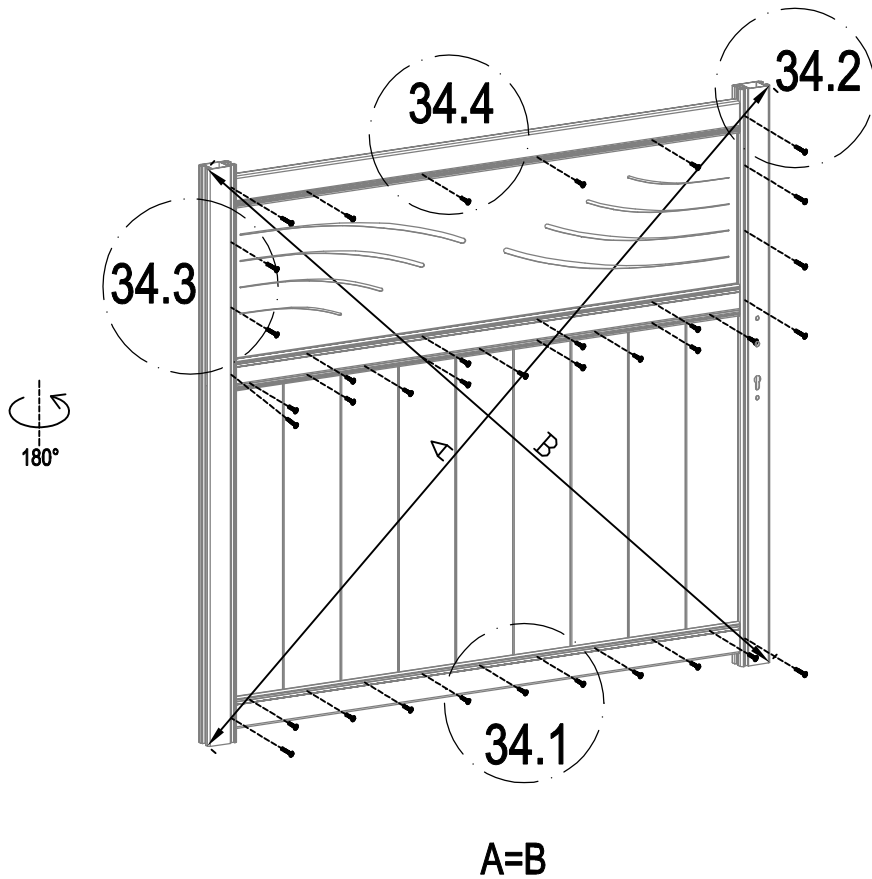




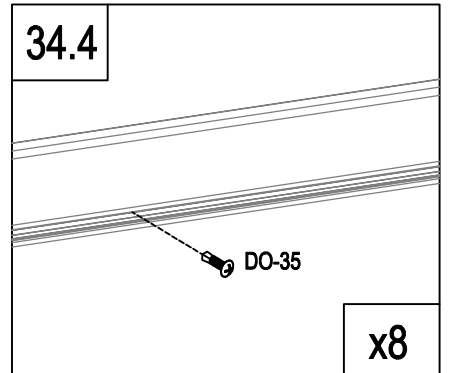
	DL-B10	1
	DL-B8	2
	DL-A8a	2

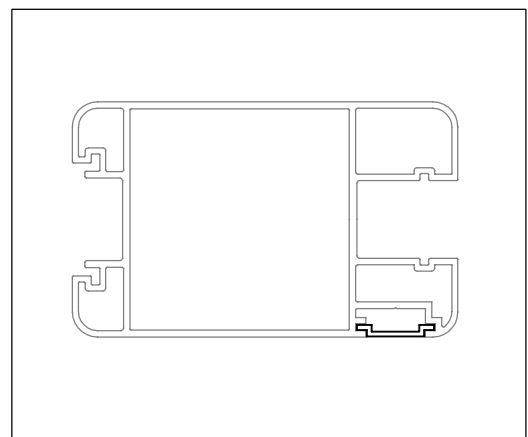
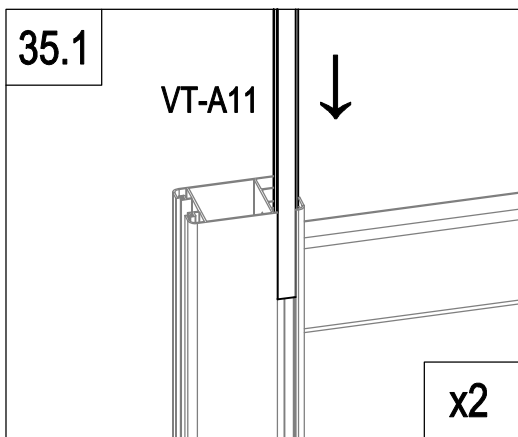
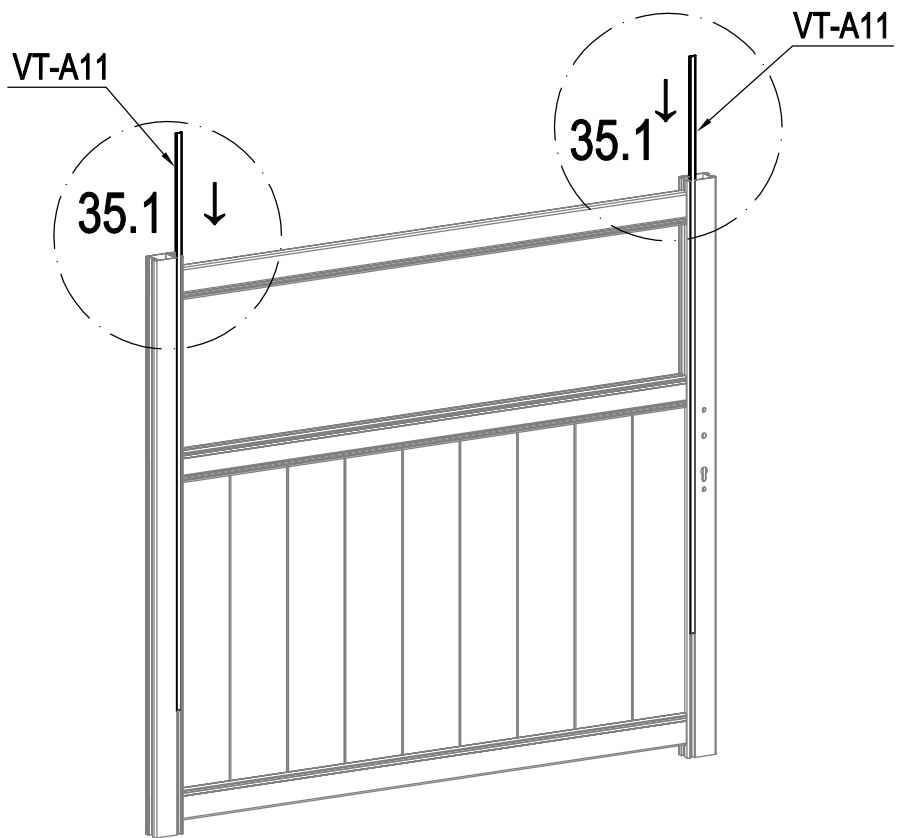


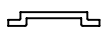
	DO-A2	1
	Dr-28	2
	DO-28a	1
	DO-C31	6

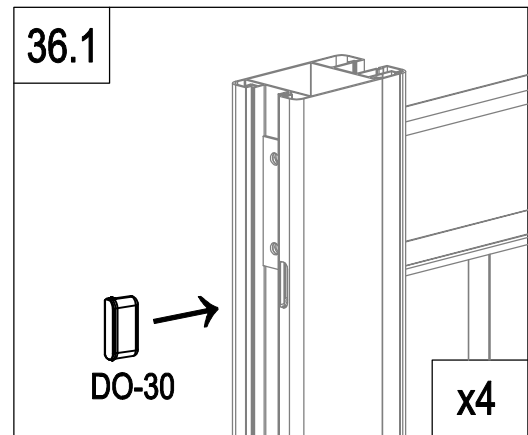
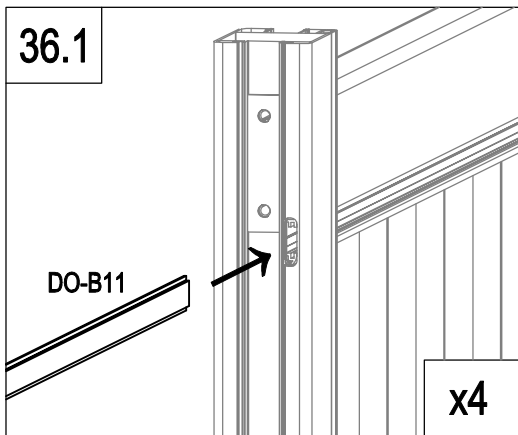
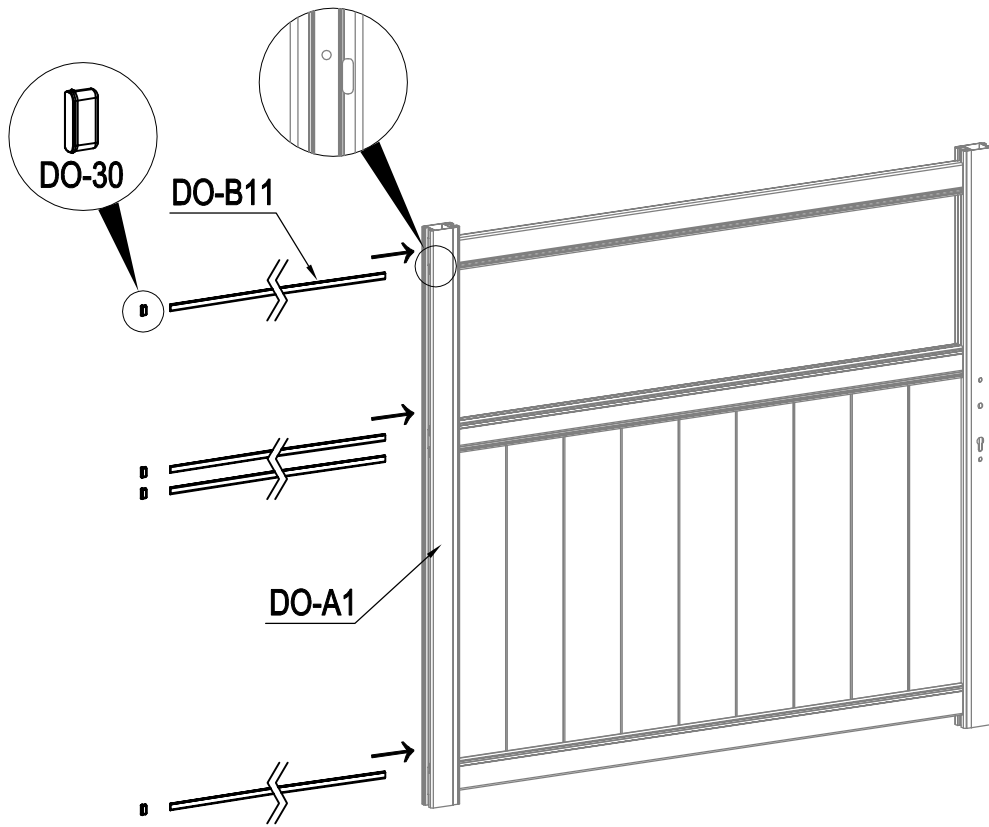


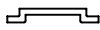

	DO-32	4
	DO-35	8
	DO-C35	18
	DO-C32	6

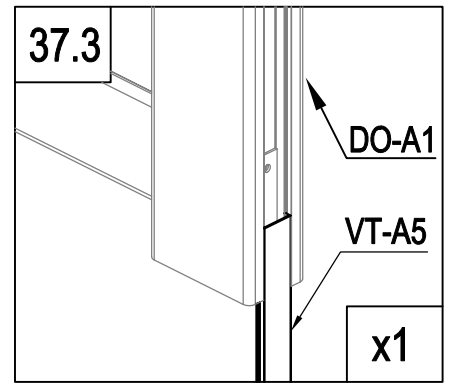
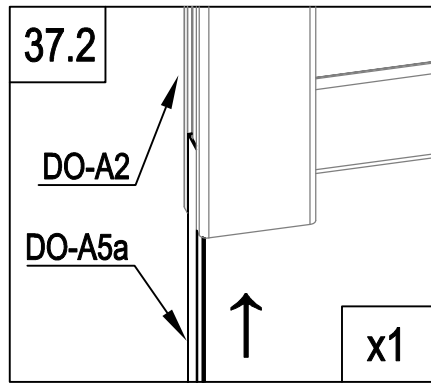
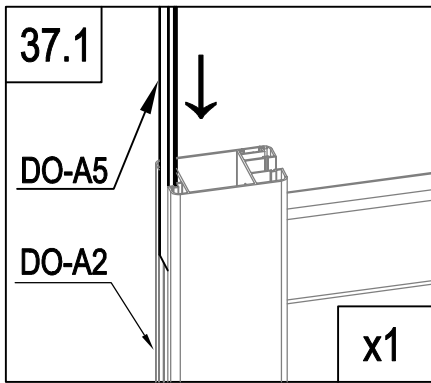
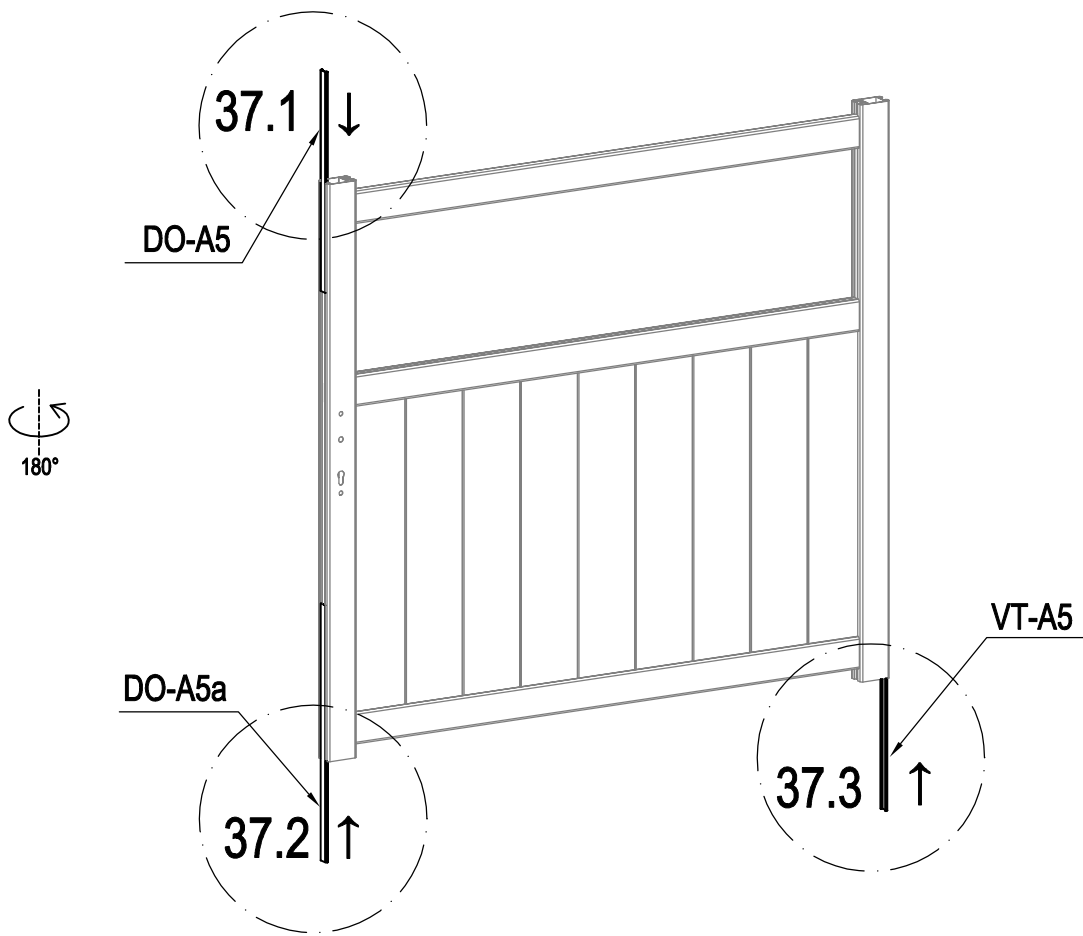




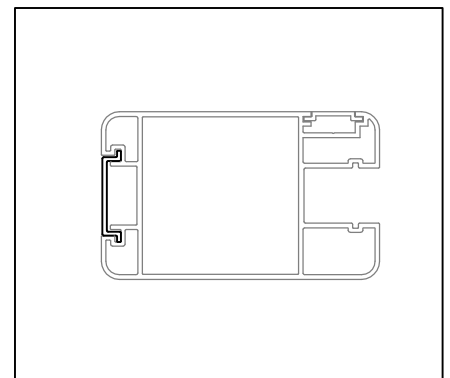
	VT-A11	2
---	--------	---

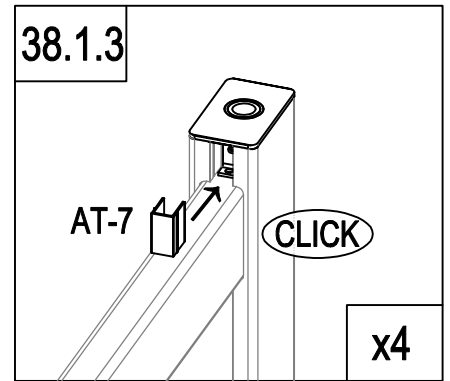
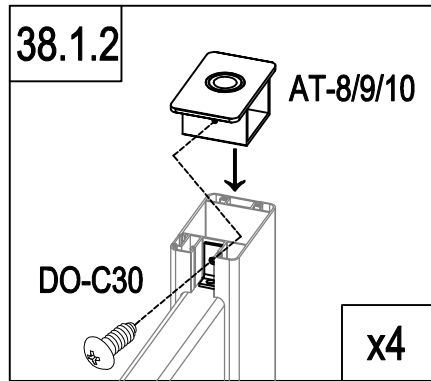
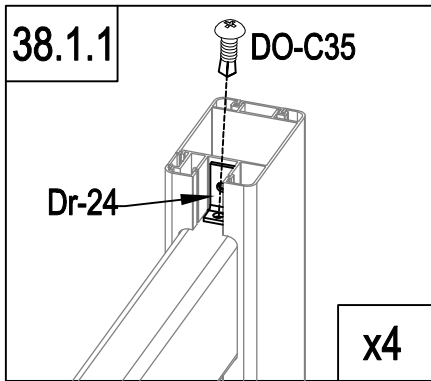
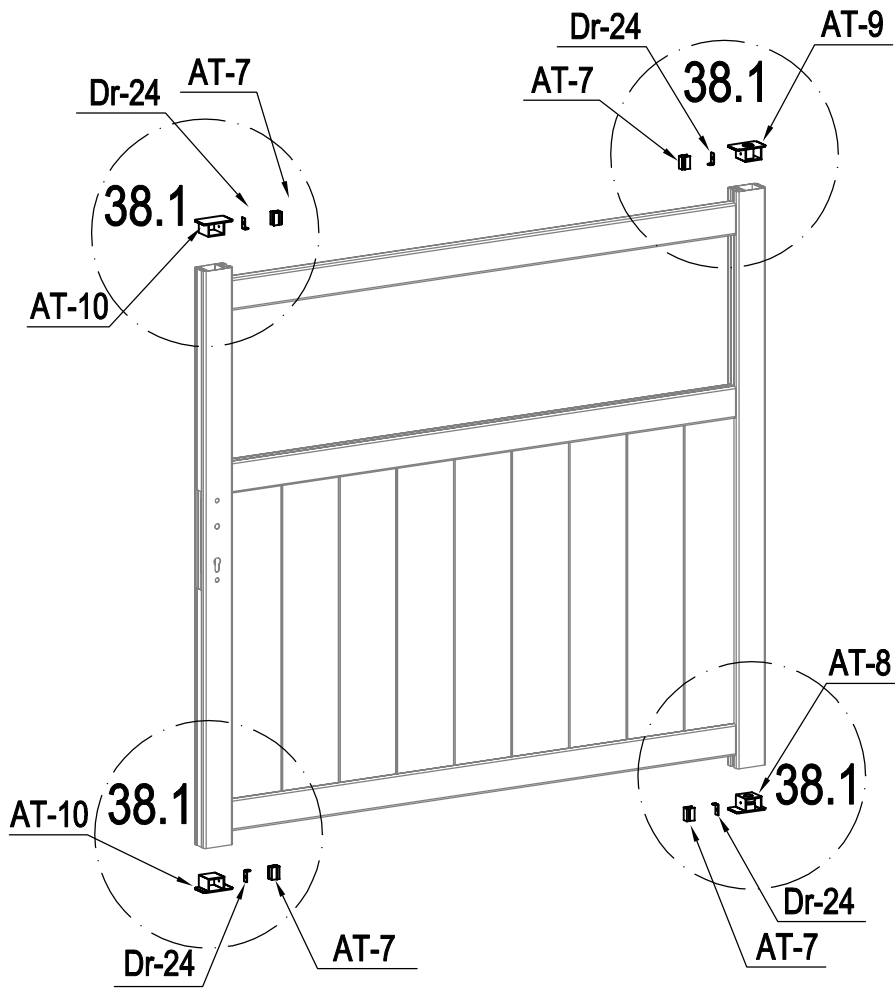


	DO-B11	4
	DO-30	4



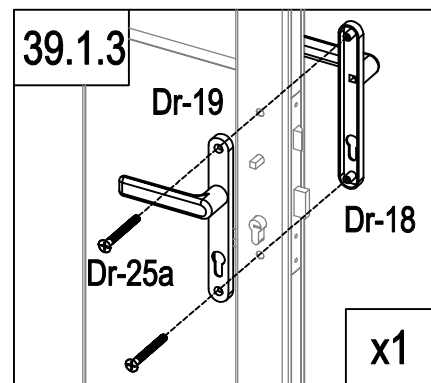
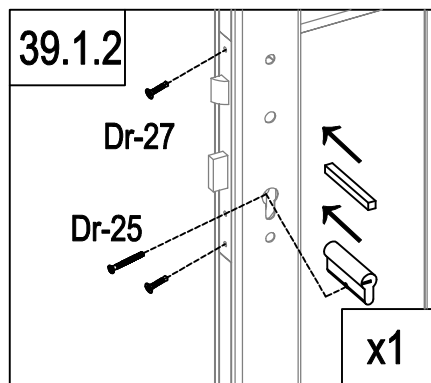
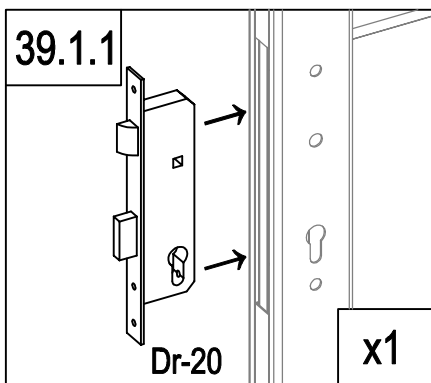
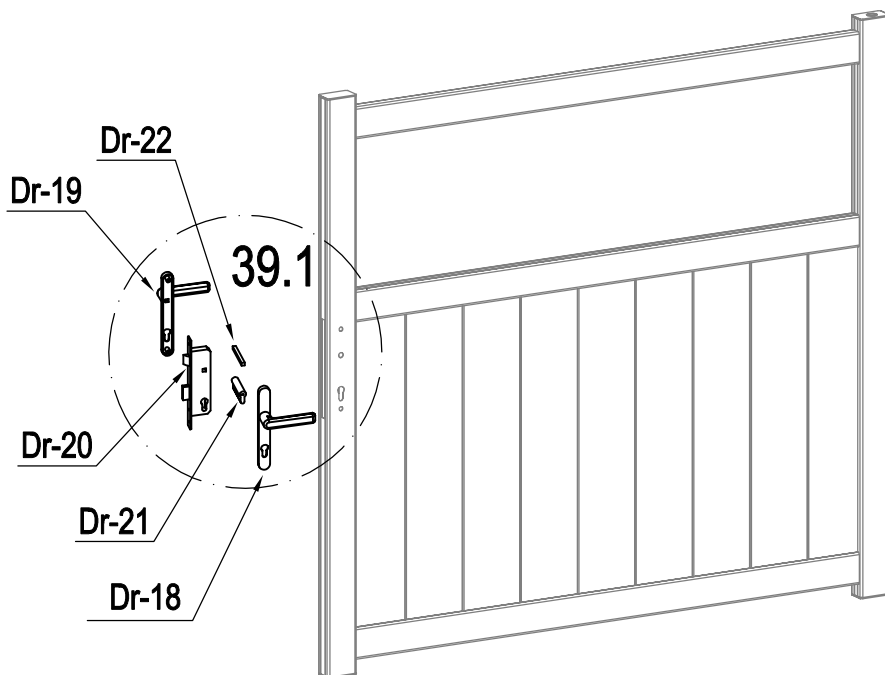
	VT-A5	1
	DO-A5	1
	DO-A5a	1





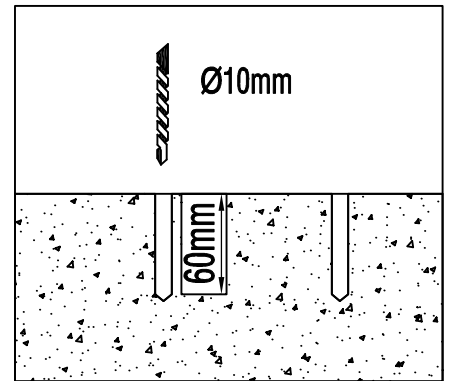
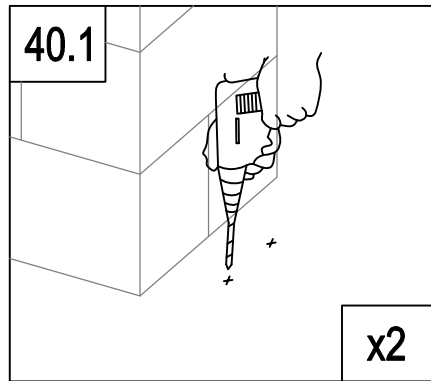
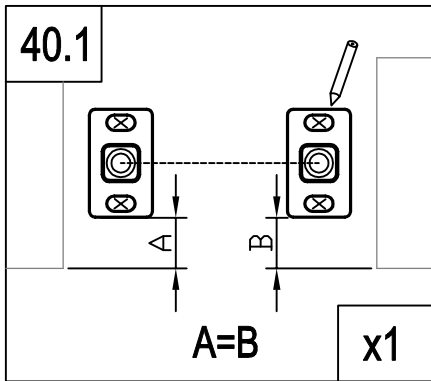
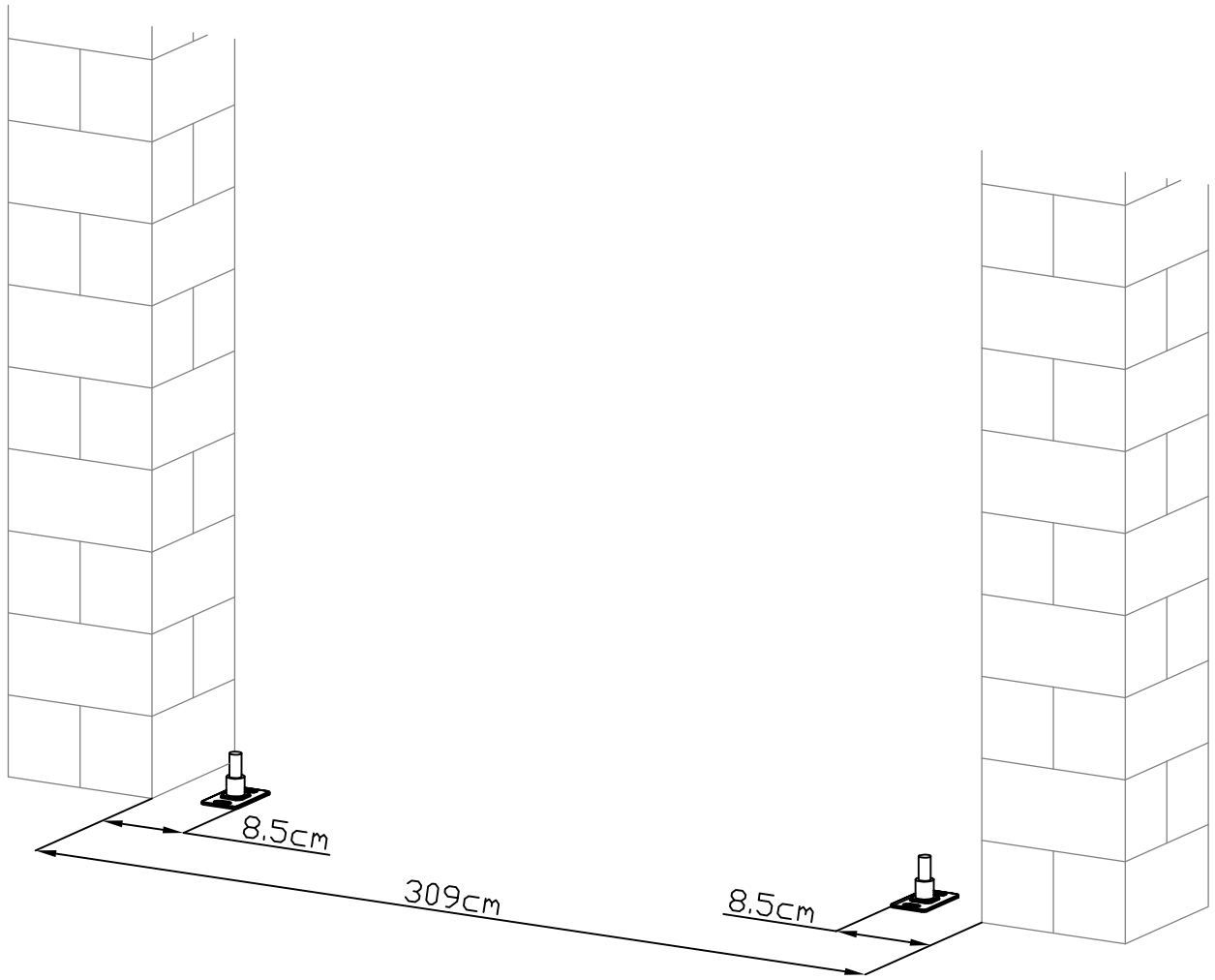
	AT-8	1
	AT-9	1
	AT-10	2
	Dr-24	4

	AT-7	4
	DO-C30	4
	DO-C35	4

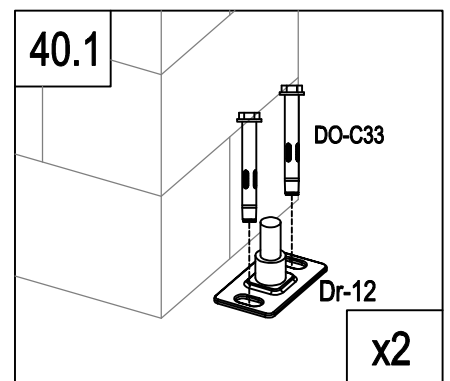


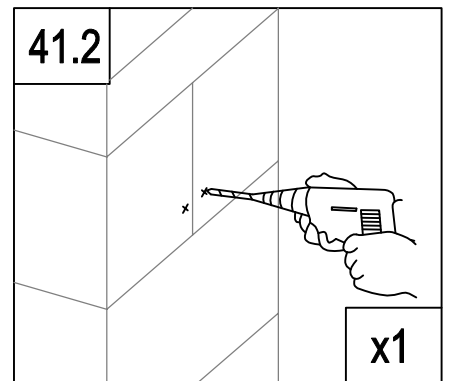
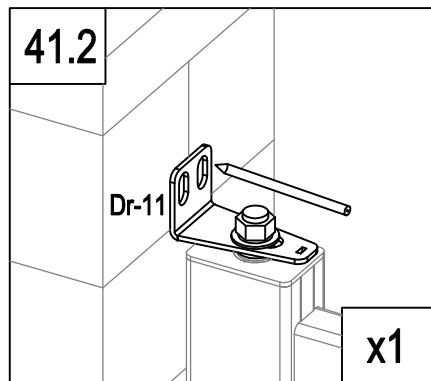
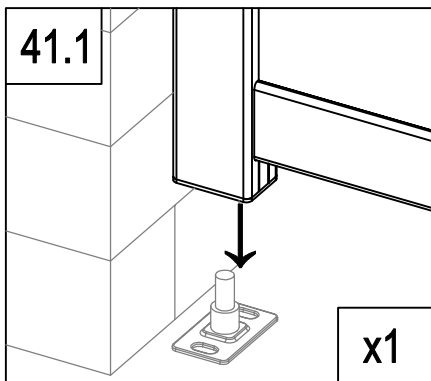
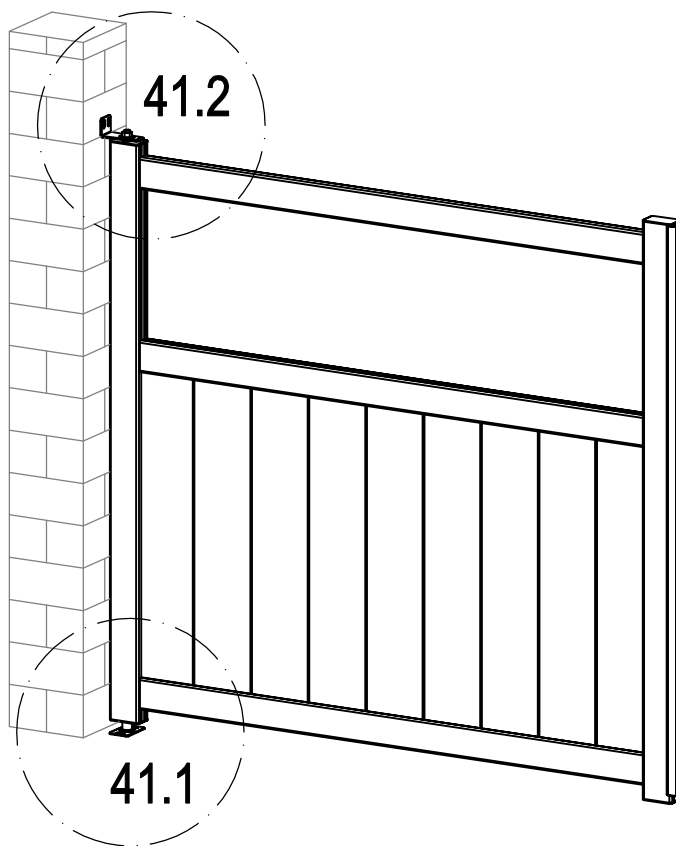
	Dr-20	1
	Dr-21	1
	Dr-22	1
	Dr-25	1



	Dr-18	1
	Dr-19	1
	Dr-25a	2
	Dr-27	2

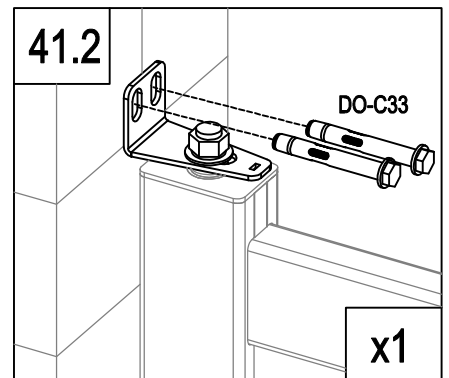
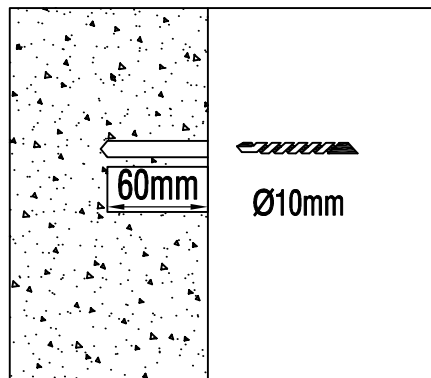


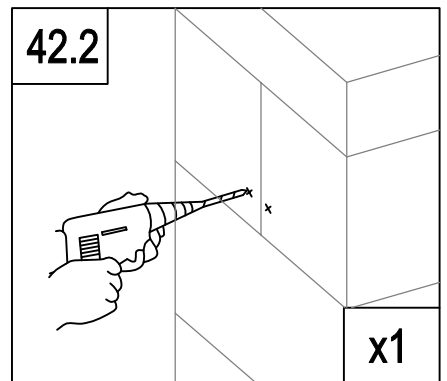
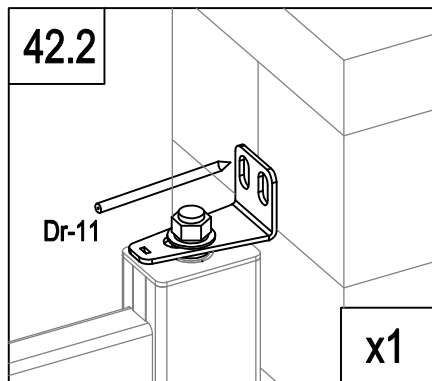
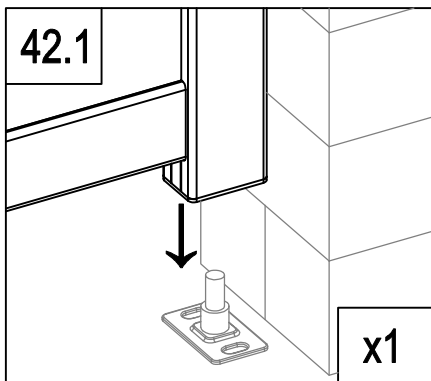
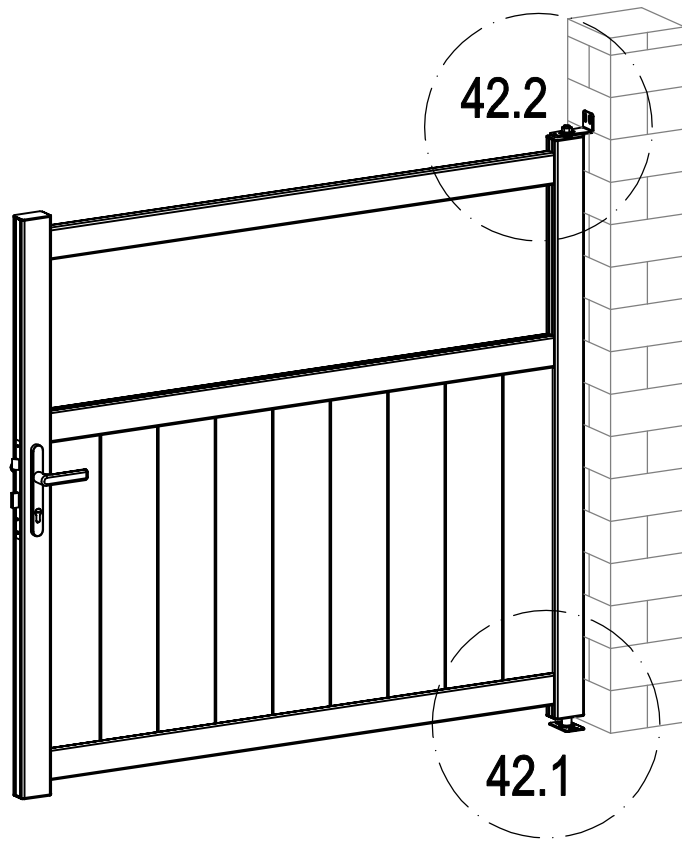
	Dr-12	2
	DO-C33	4





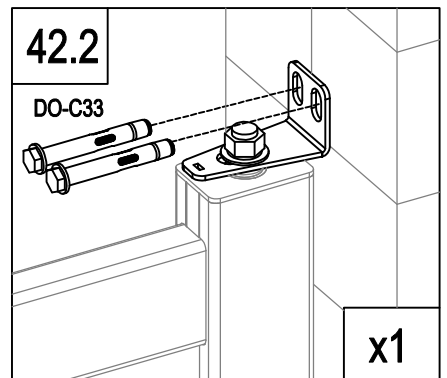
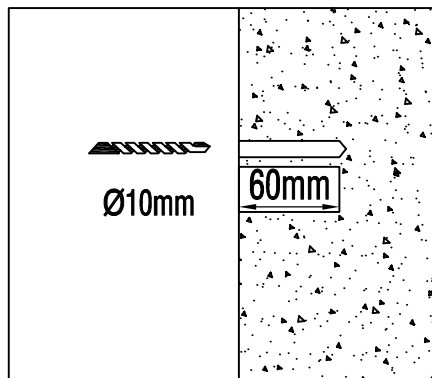


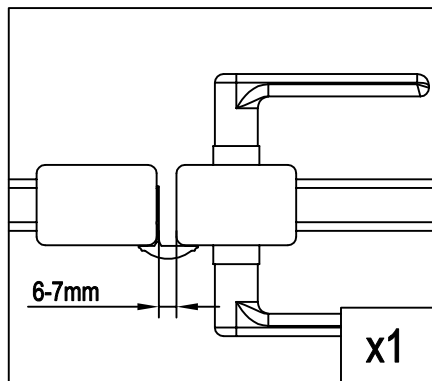
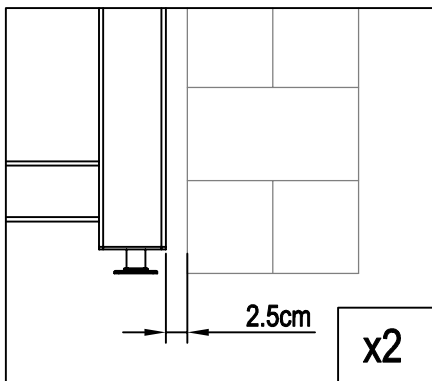
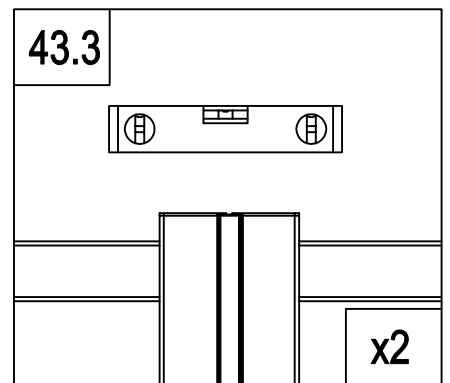
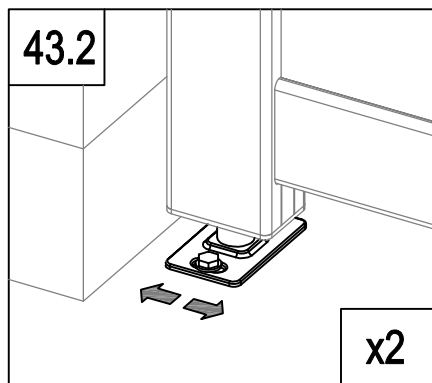
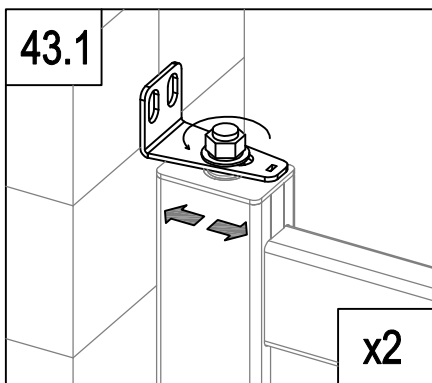
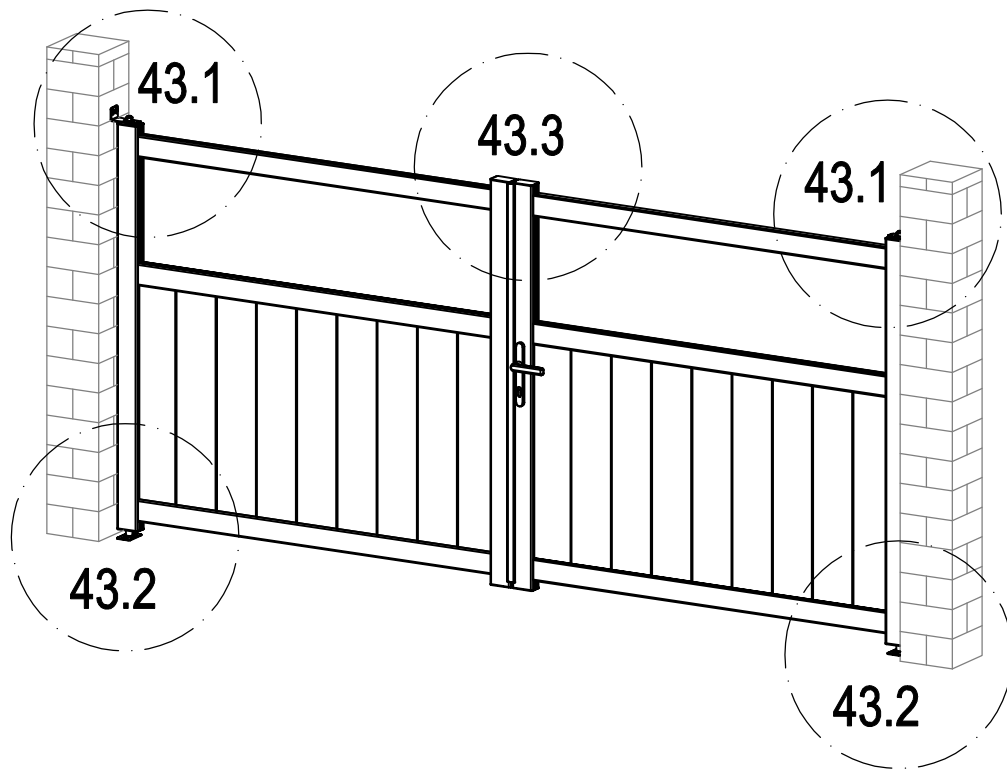
	Dr-11	1
	DO-C33	2

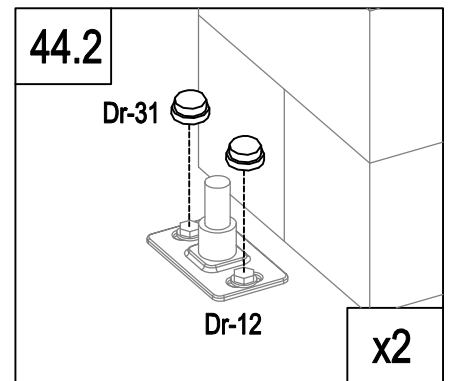
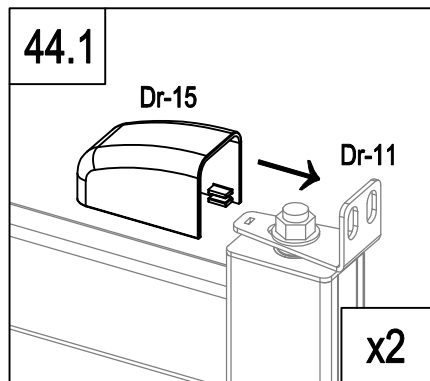
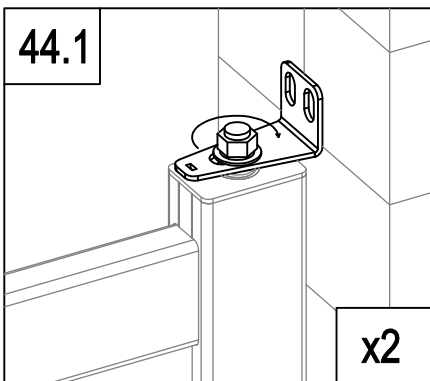
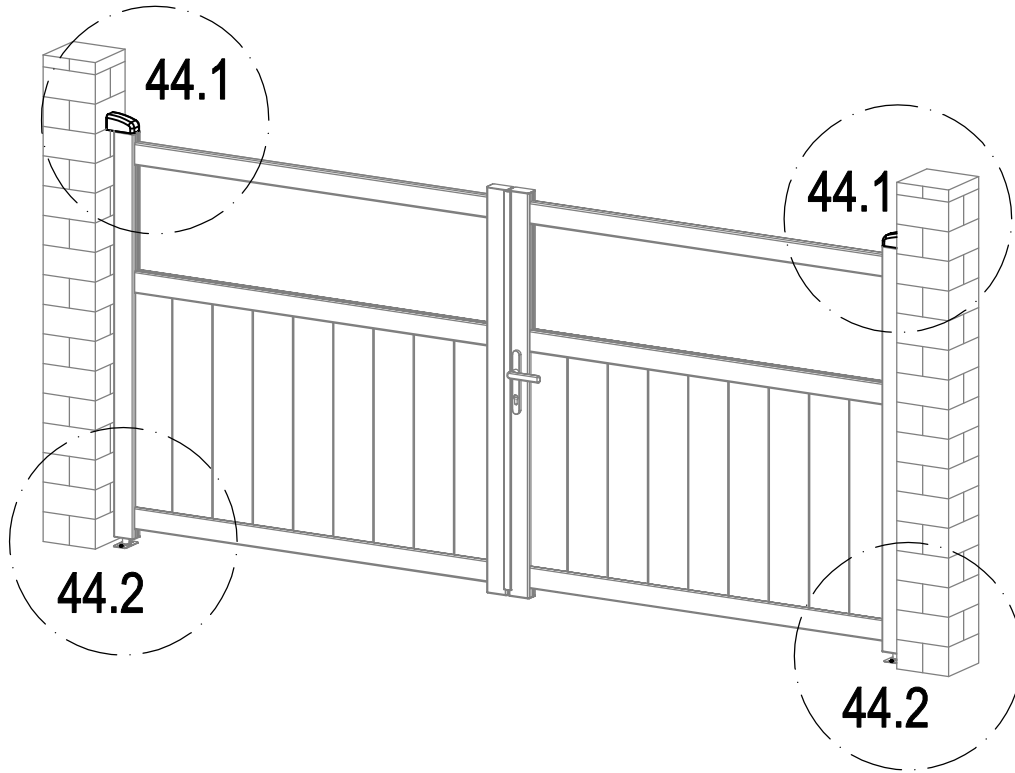






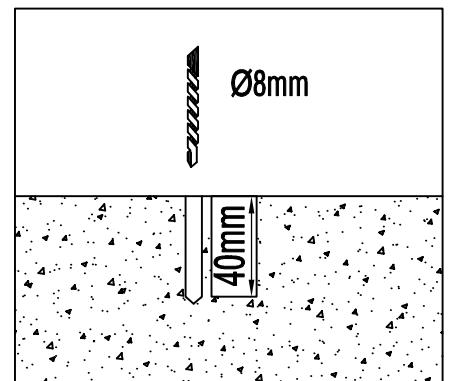
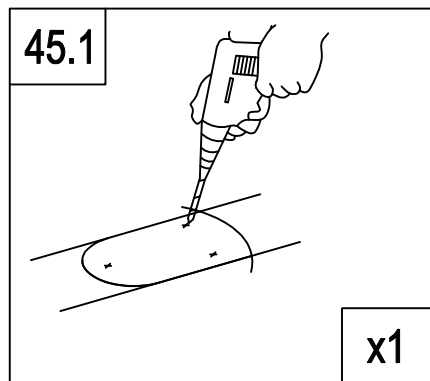
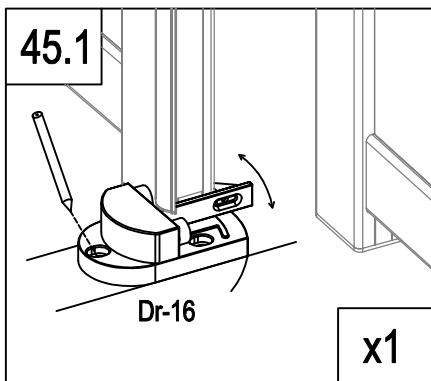
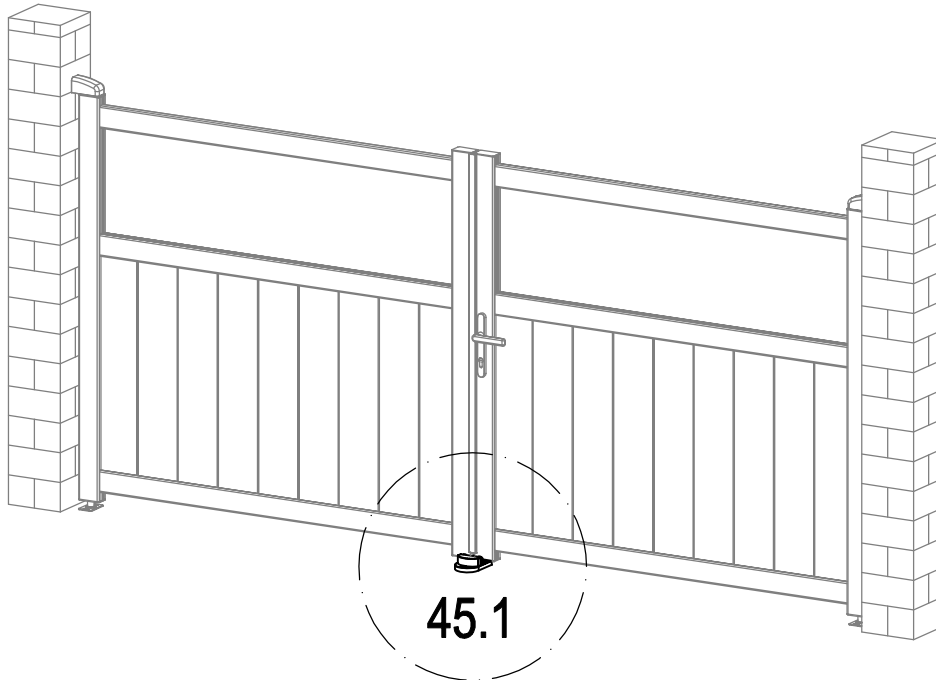
	Dr-11	1
	DO-C33	2






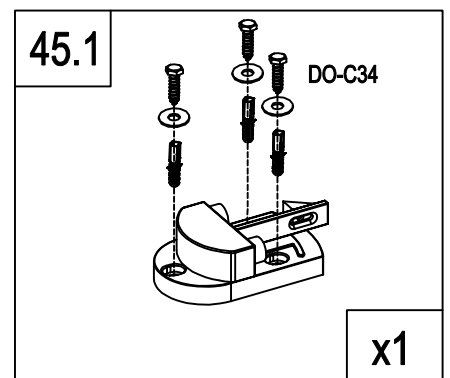


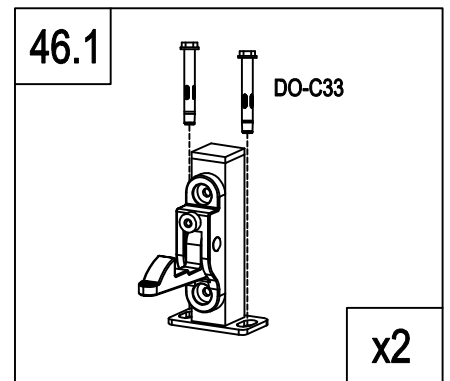
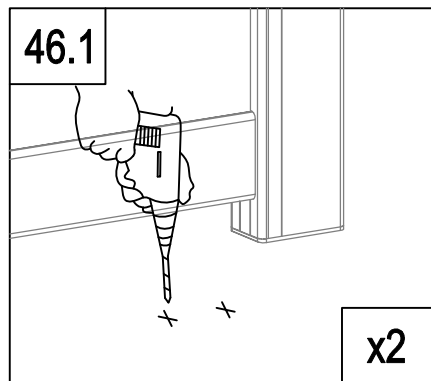
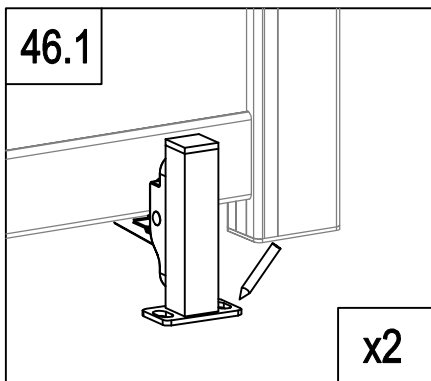
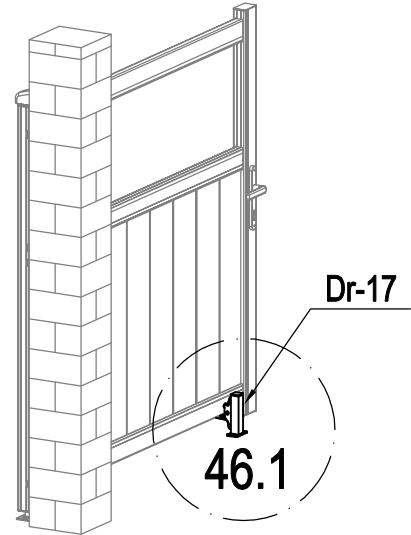
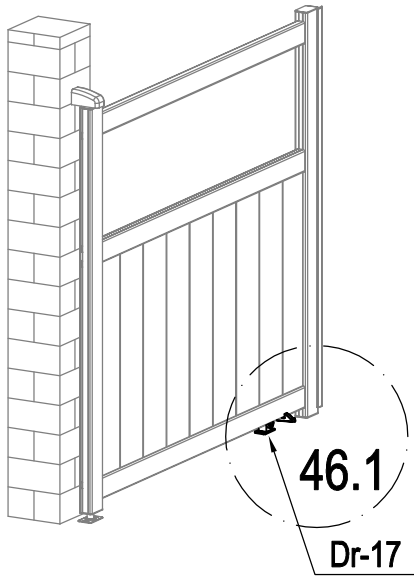




	Dr-15	2
	Dr-31	4



	Dr-16	1
	DO-C34	3
	DO-C36	3





	DO-C33	4
	Dr-17	2