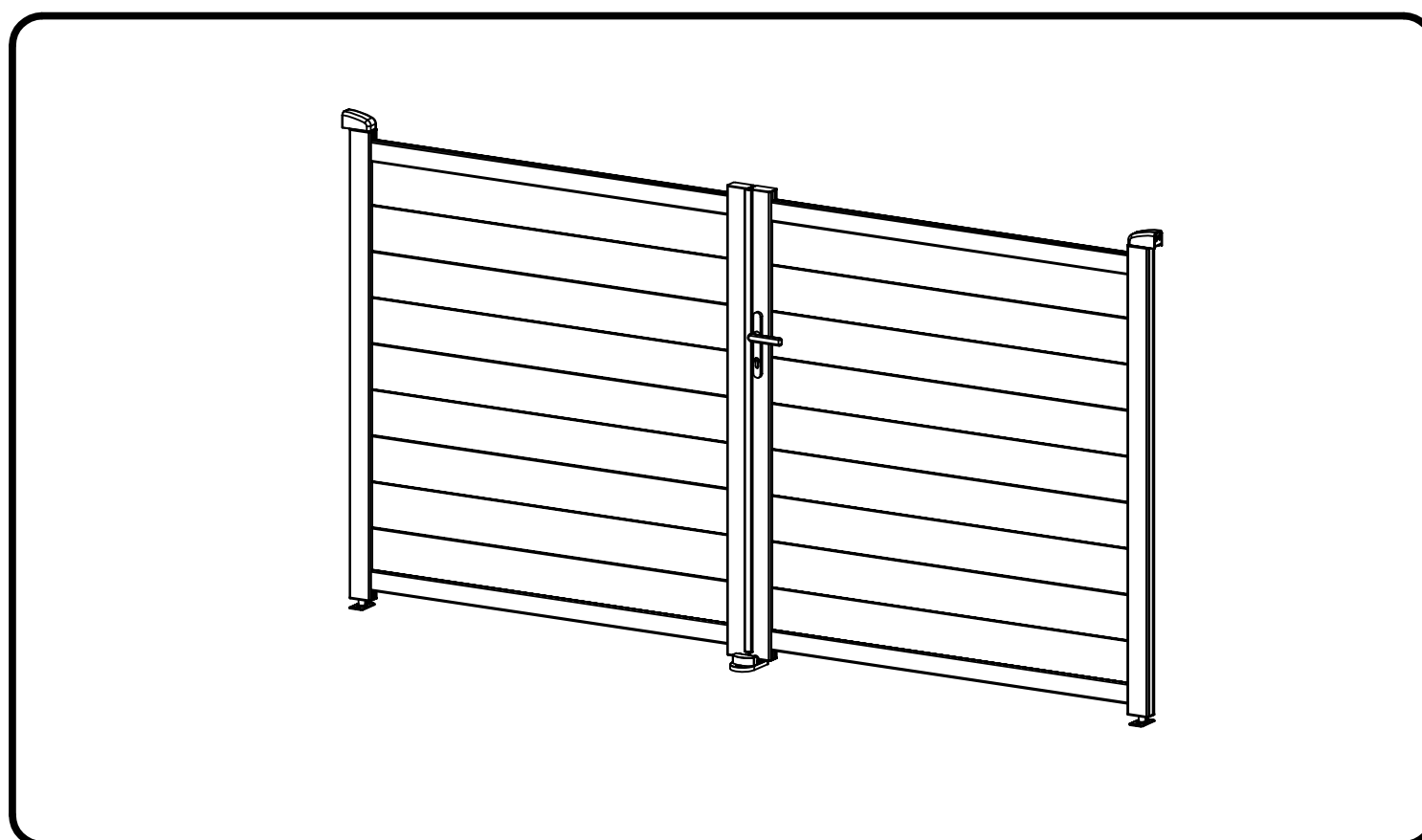


CASANOV

EIGER 300B160



6-7H



x2

COM-000273

[x1]

COM-000274

[x1]

FR

EN

ES

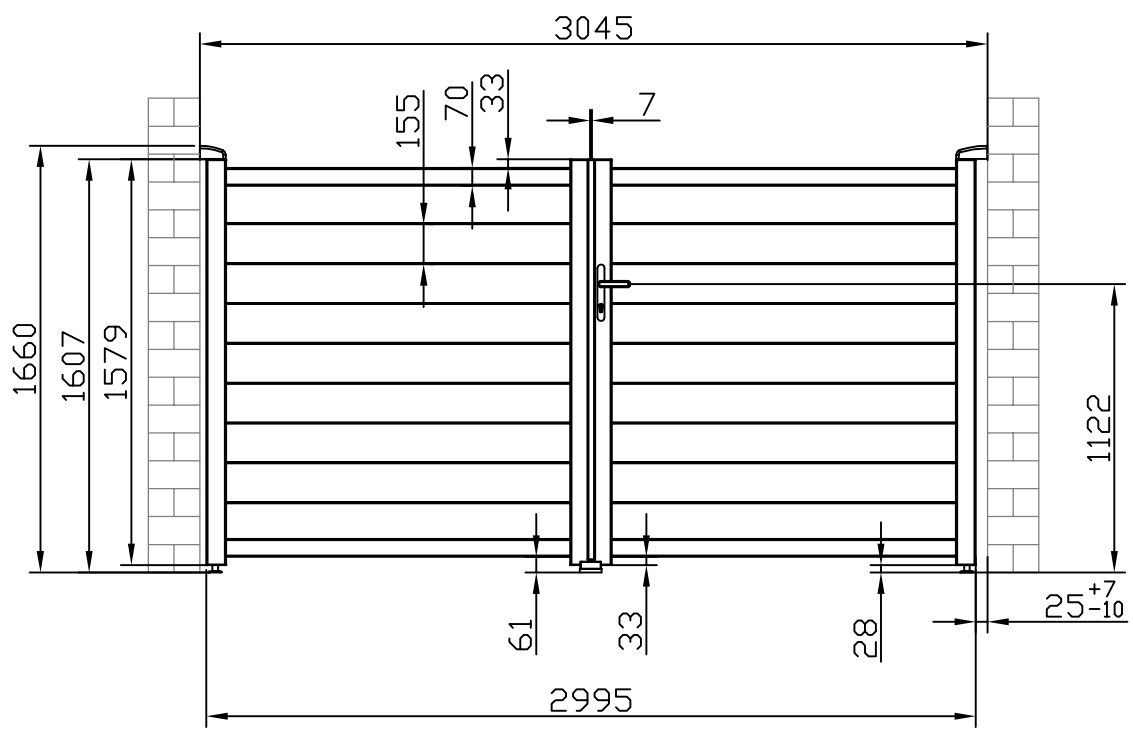
DE

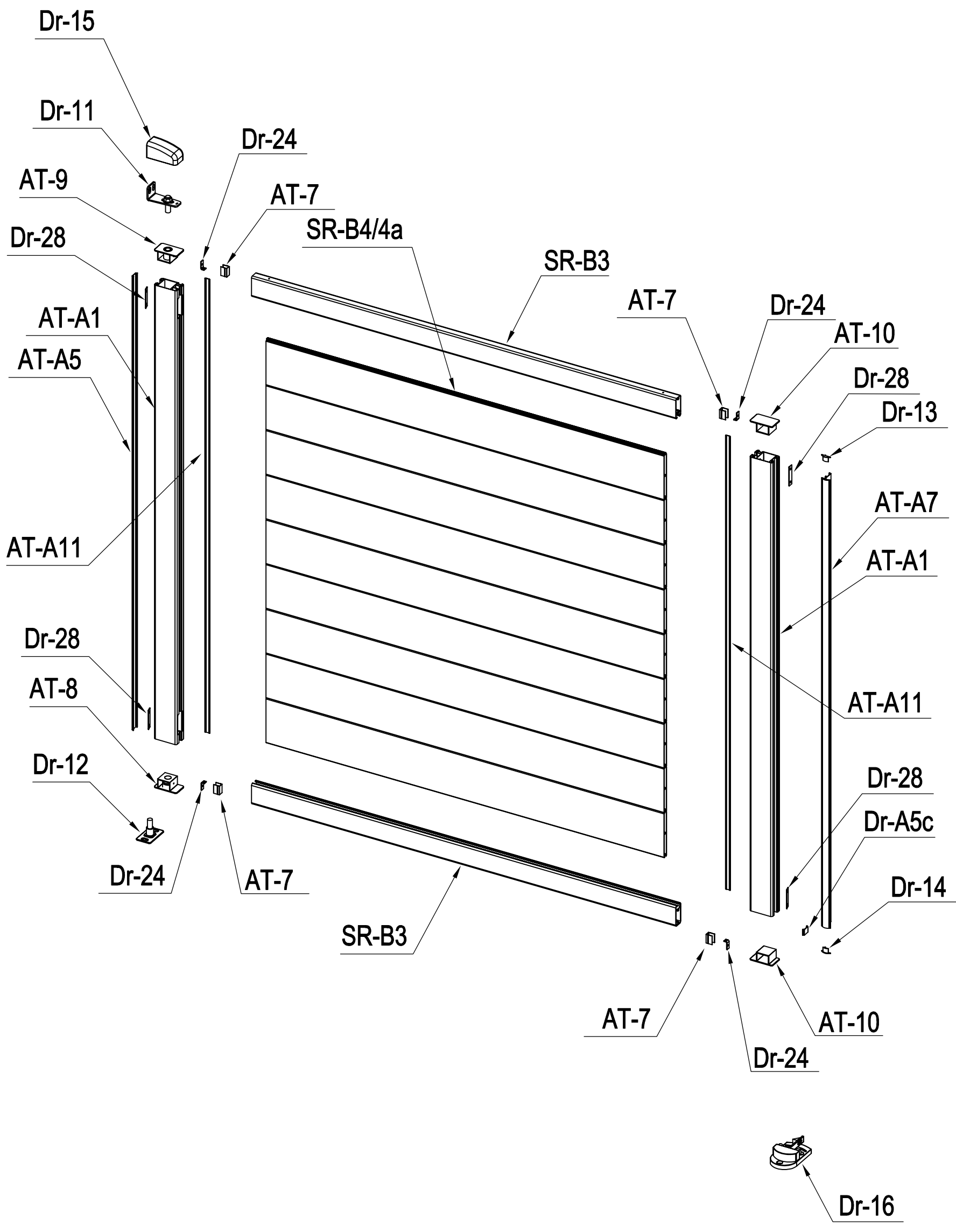
IT

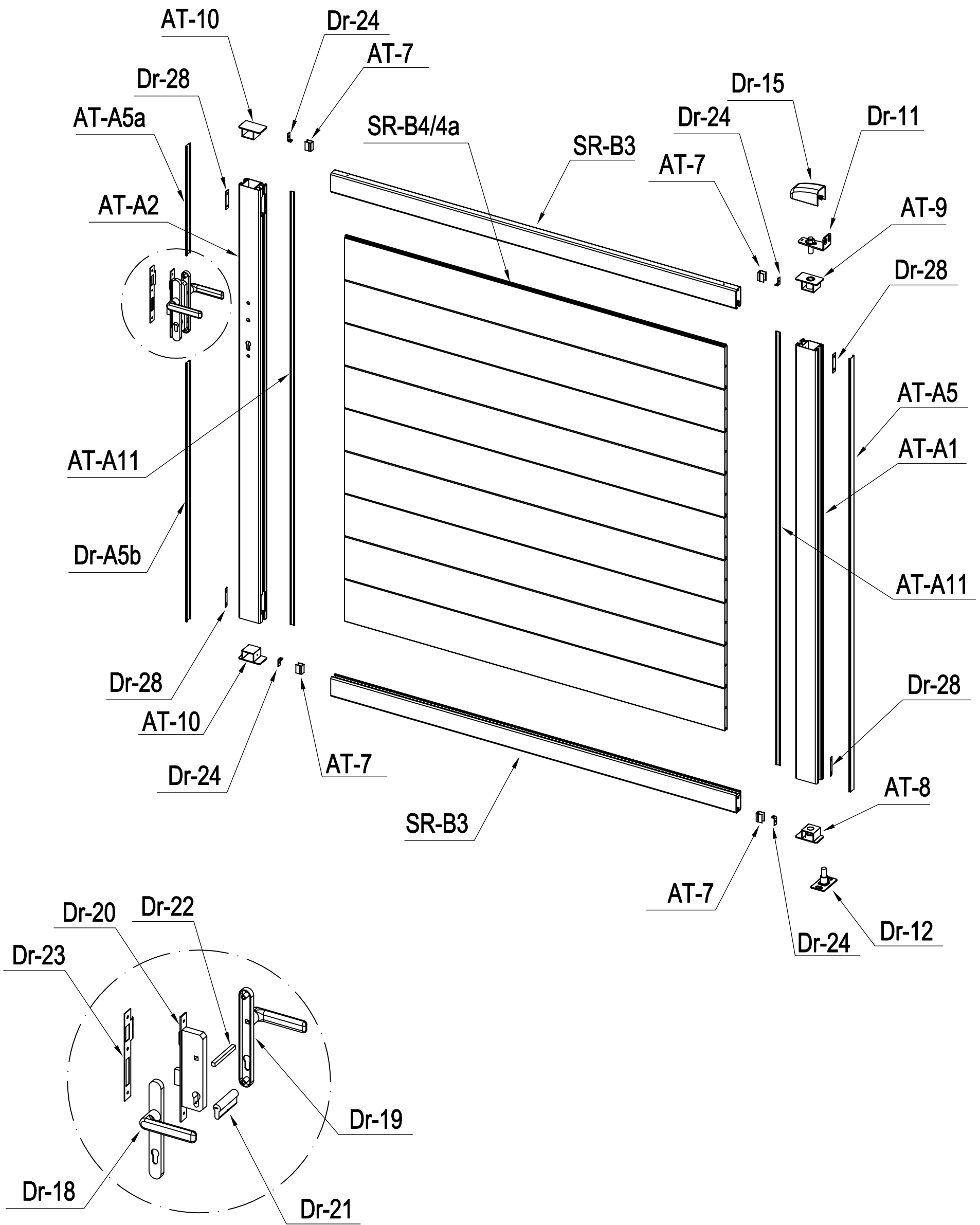
NL

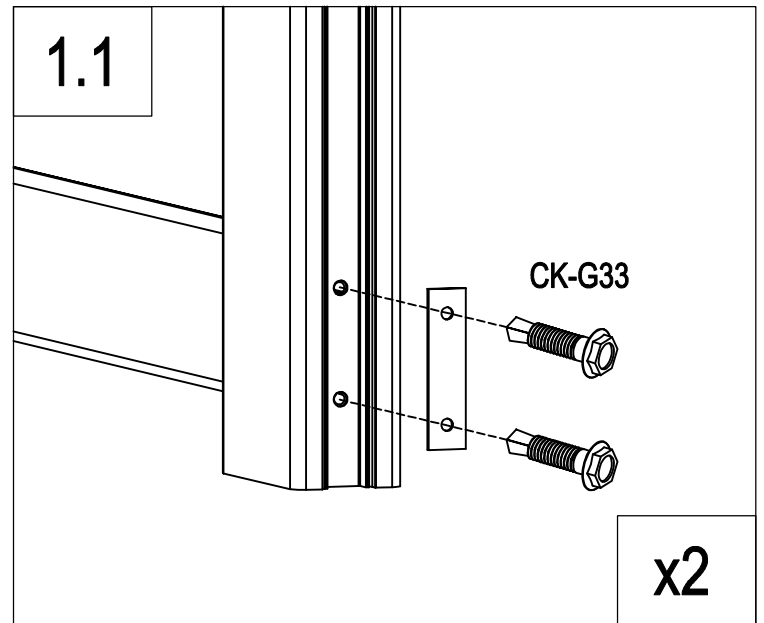
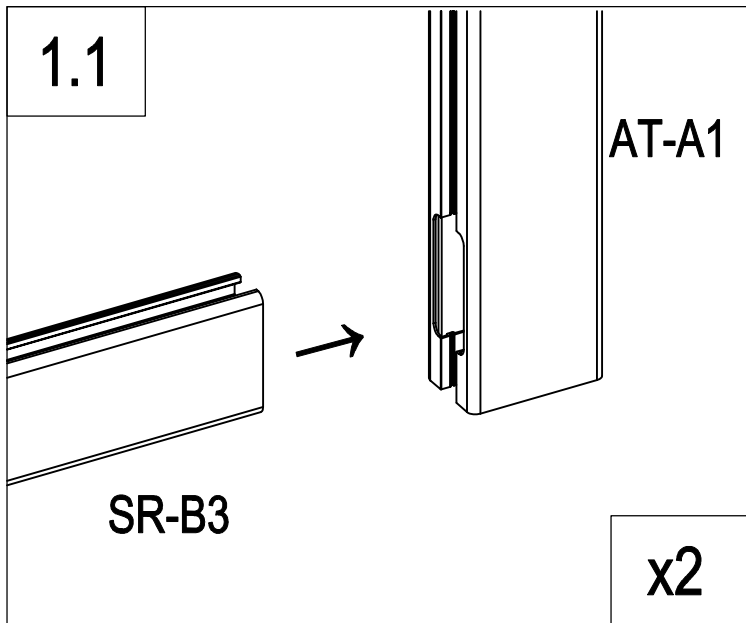
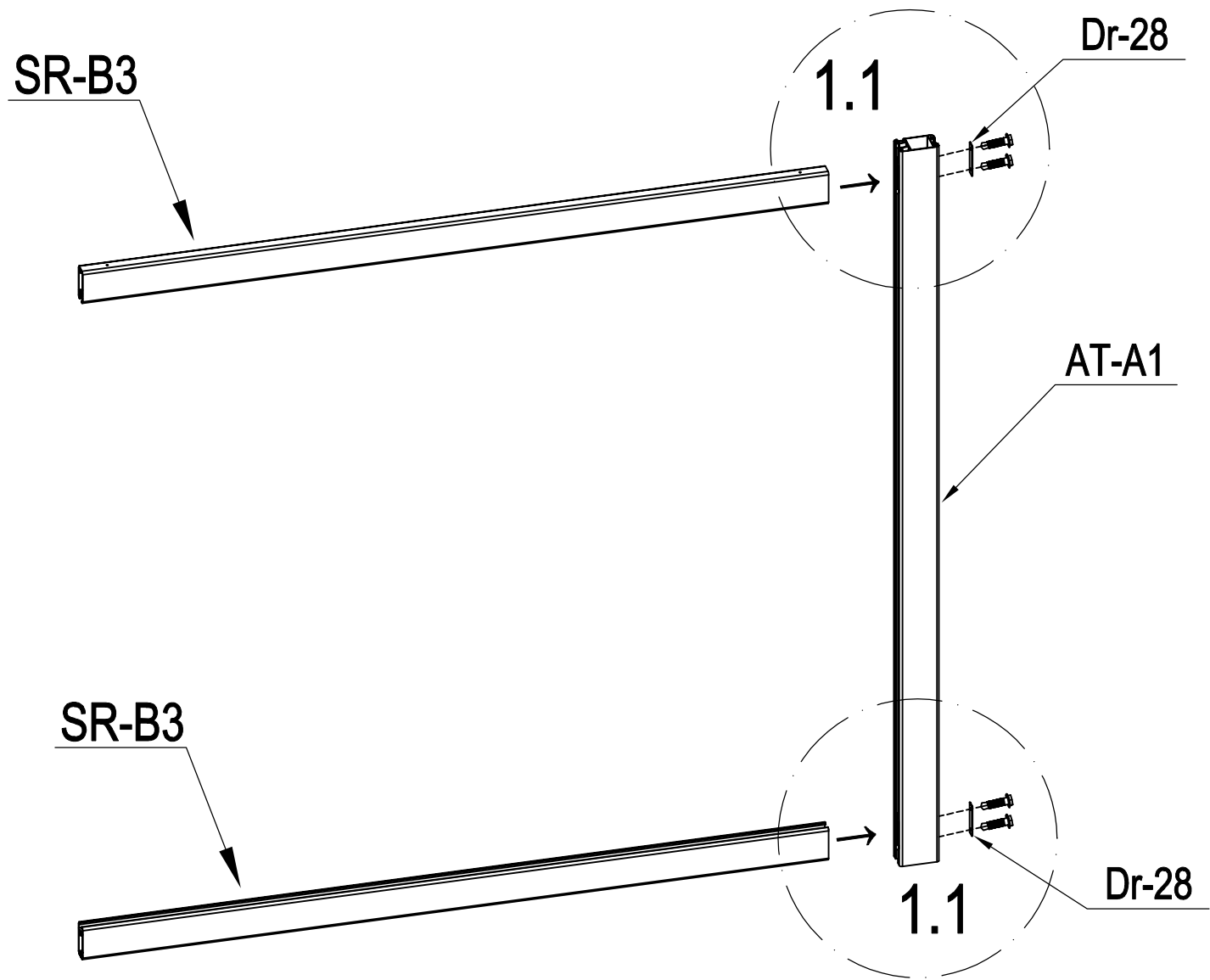
PL



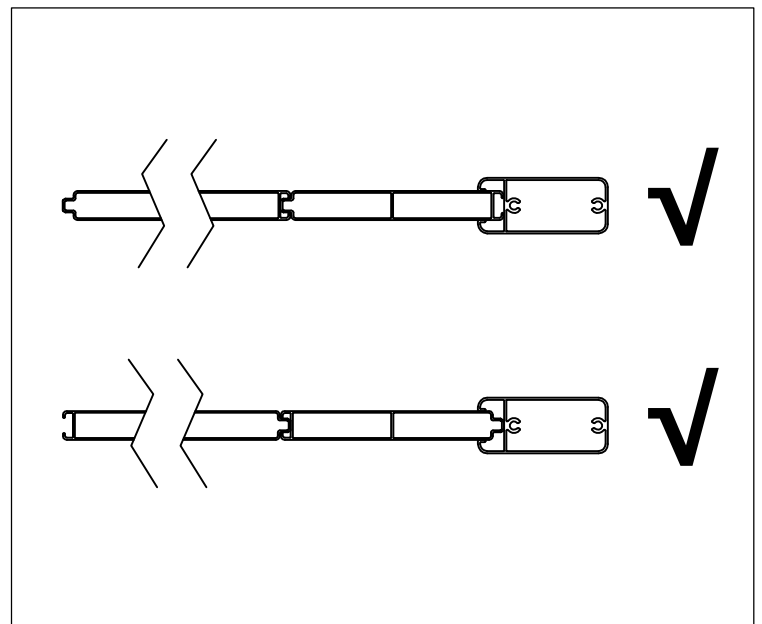
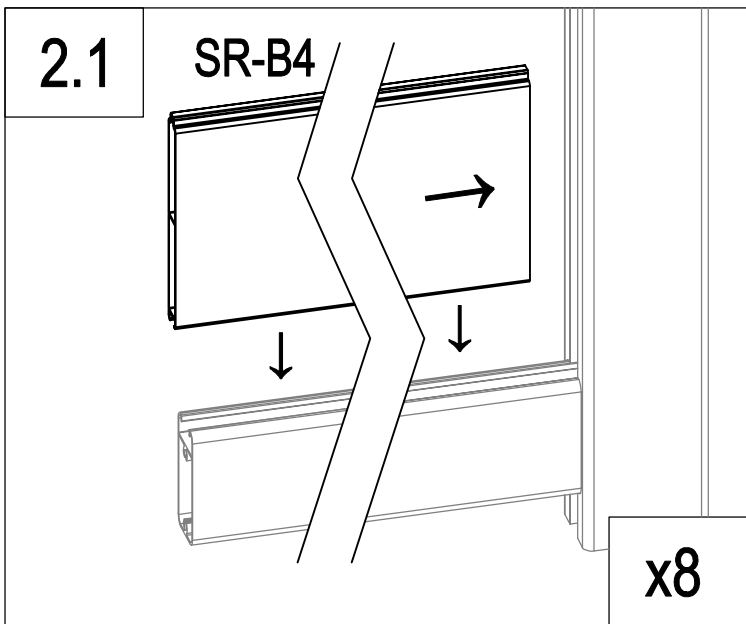
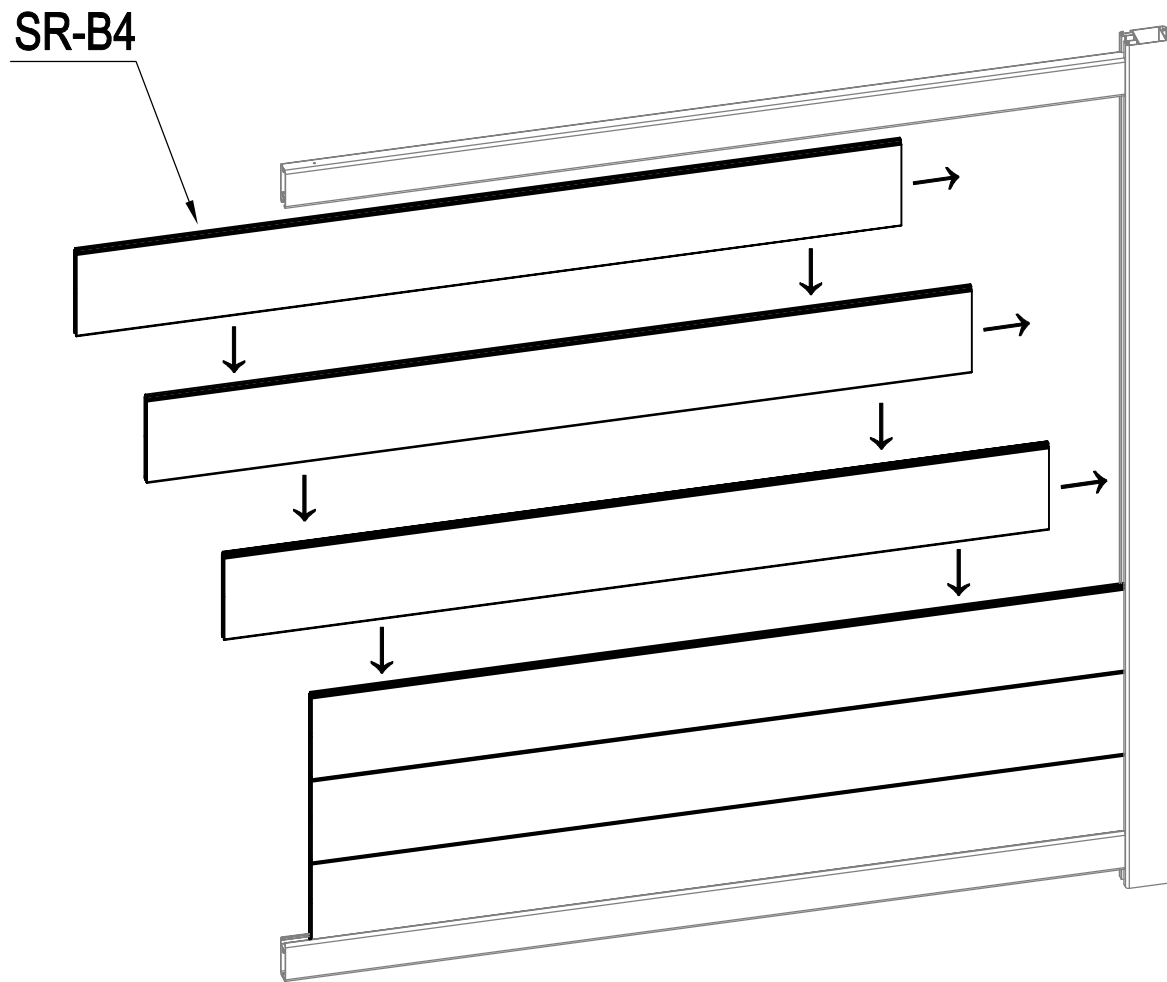




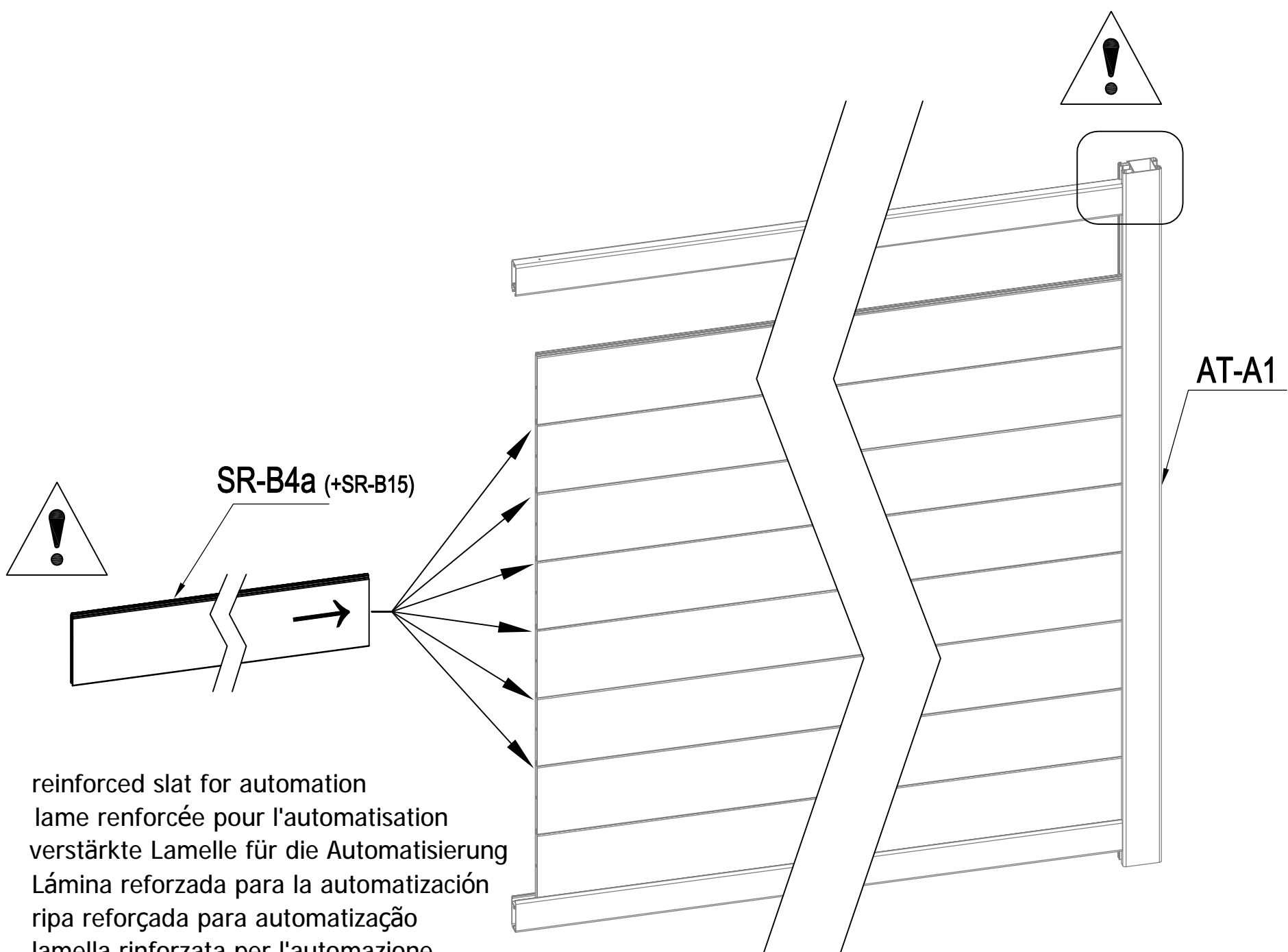




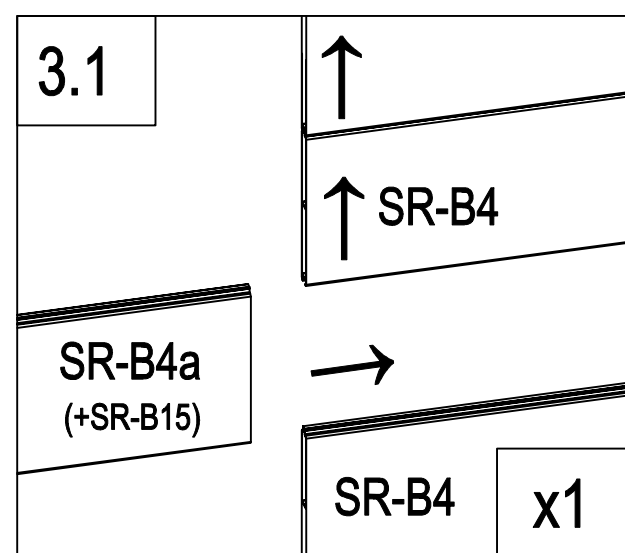
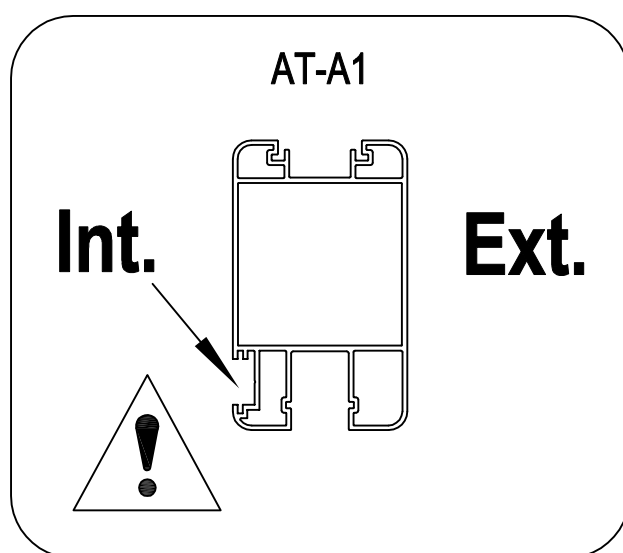
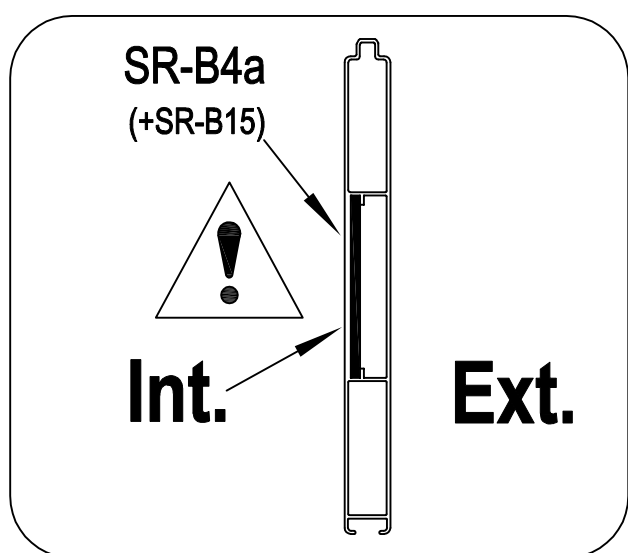
	AT-A1	1
	SR-B3	2
	Dr-28	2
	CK-G33	4




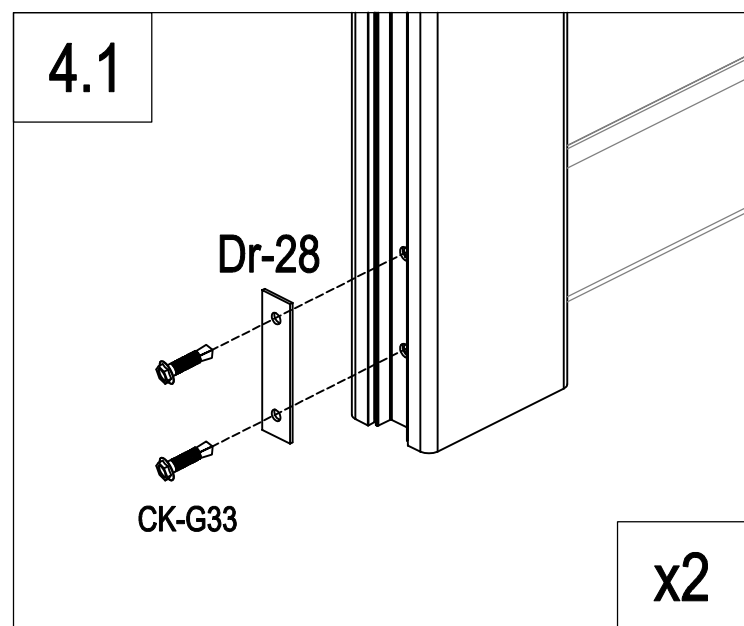
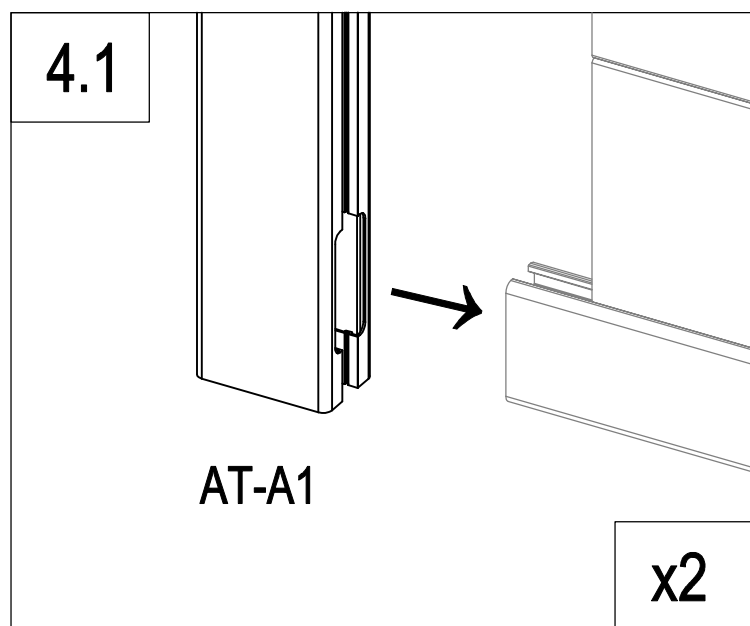
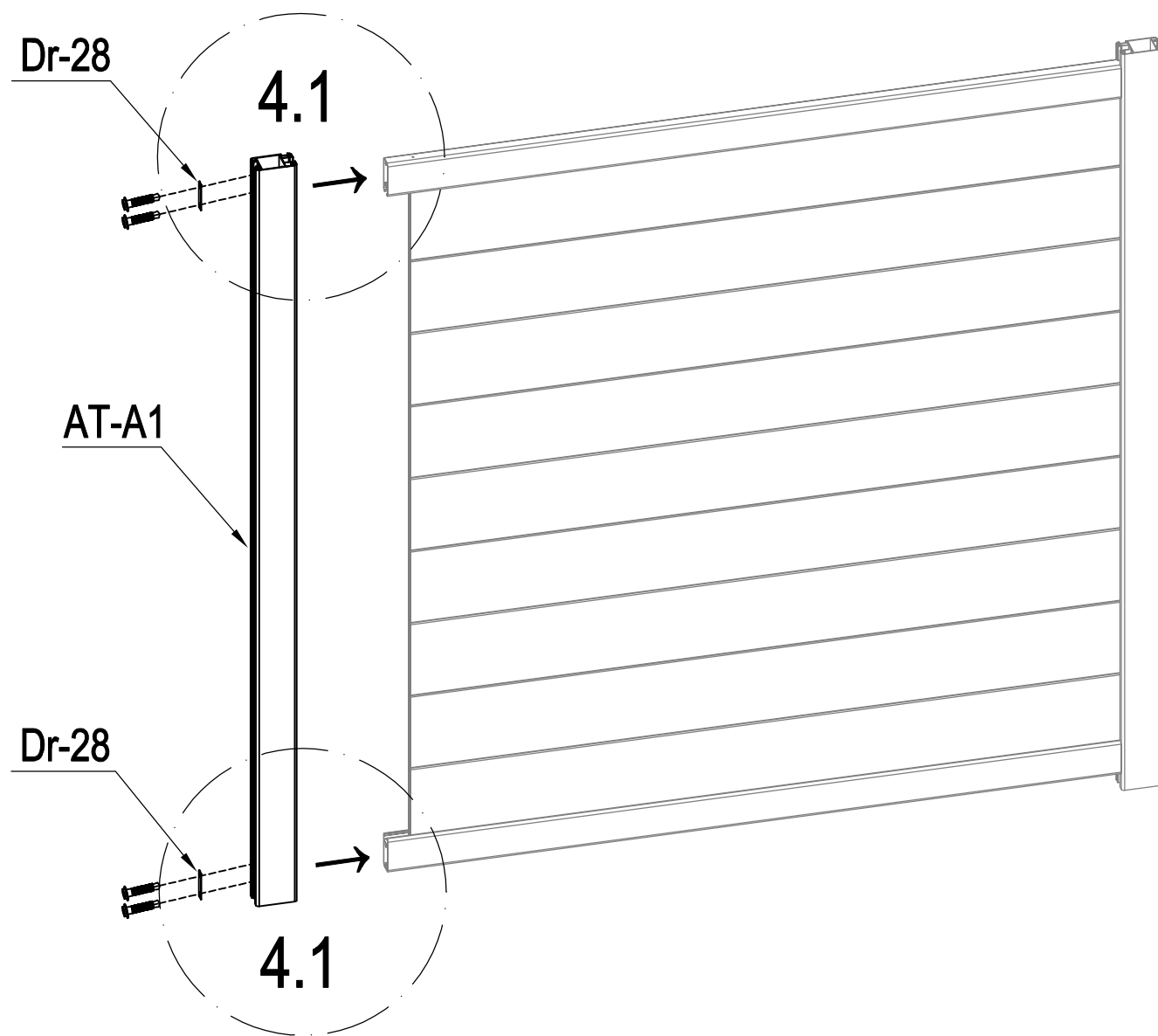
	SR-B4	8
---	-------	---

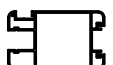




- EN: reinforced slat for automation
- FR: lame renforcée pour l'automatisation
- DE: verstärkte Lamelle für die Automatisierung
- ES: Lámina reforzada para la automatización
- PT: ripa reforçada para automatização
- IT: lamella rinforzata per l'automazione
- NL: versterkte lat voor automatisering
- PL: wzmocniona listwa do automatyzacji

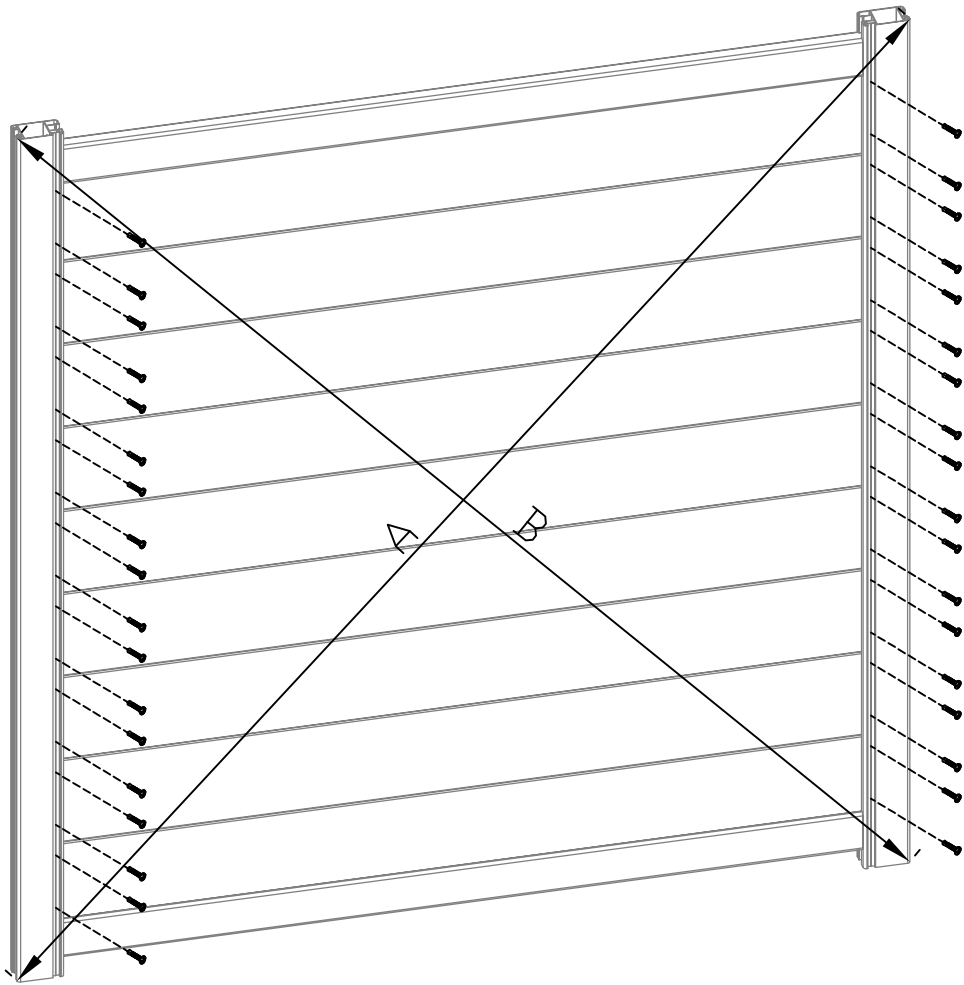


	SR-B4a (+SR-B15)	1
---	------------------	---

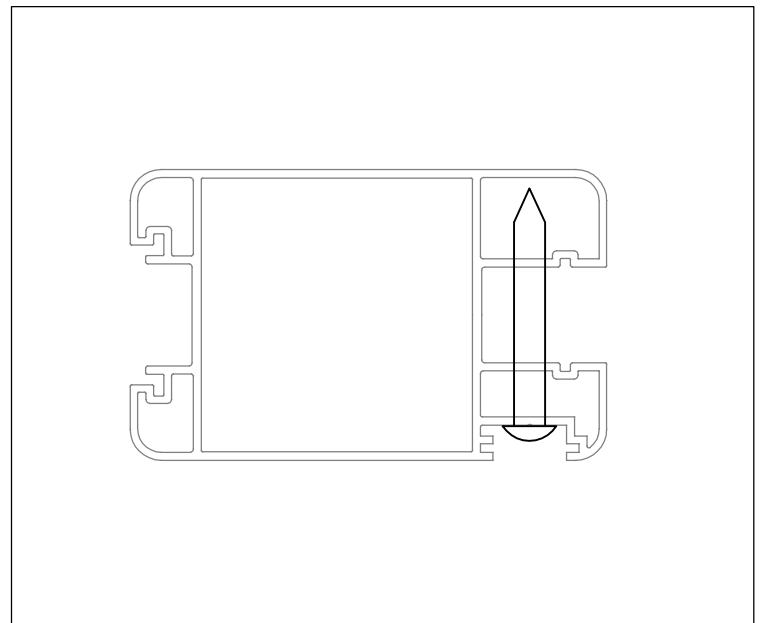
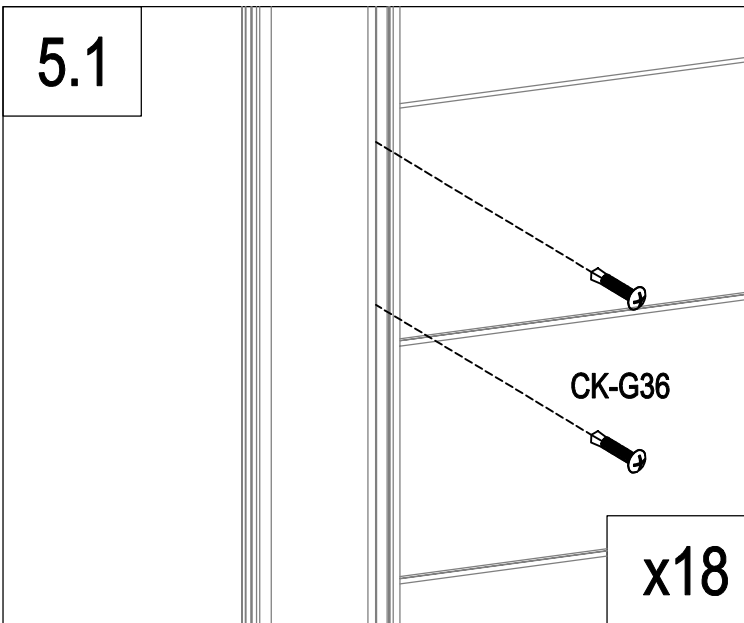


	AT-A1	1
	Dr-28	2
	CK-G33	4

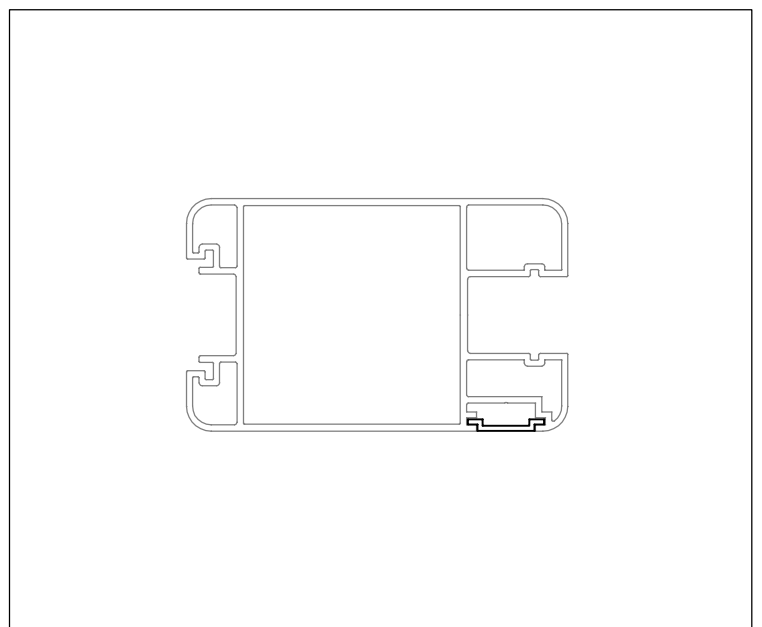
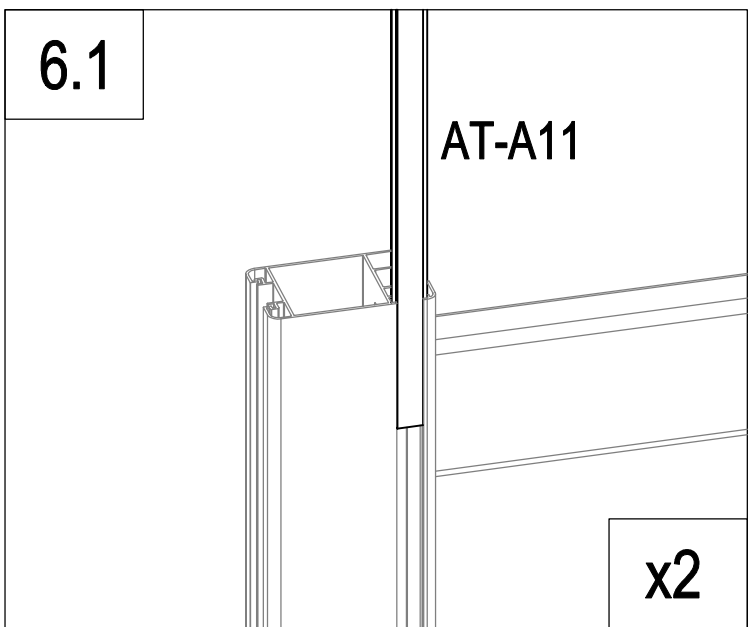
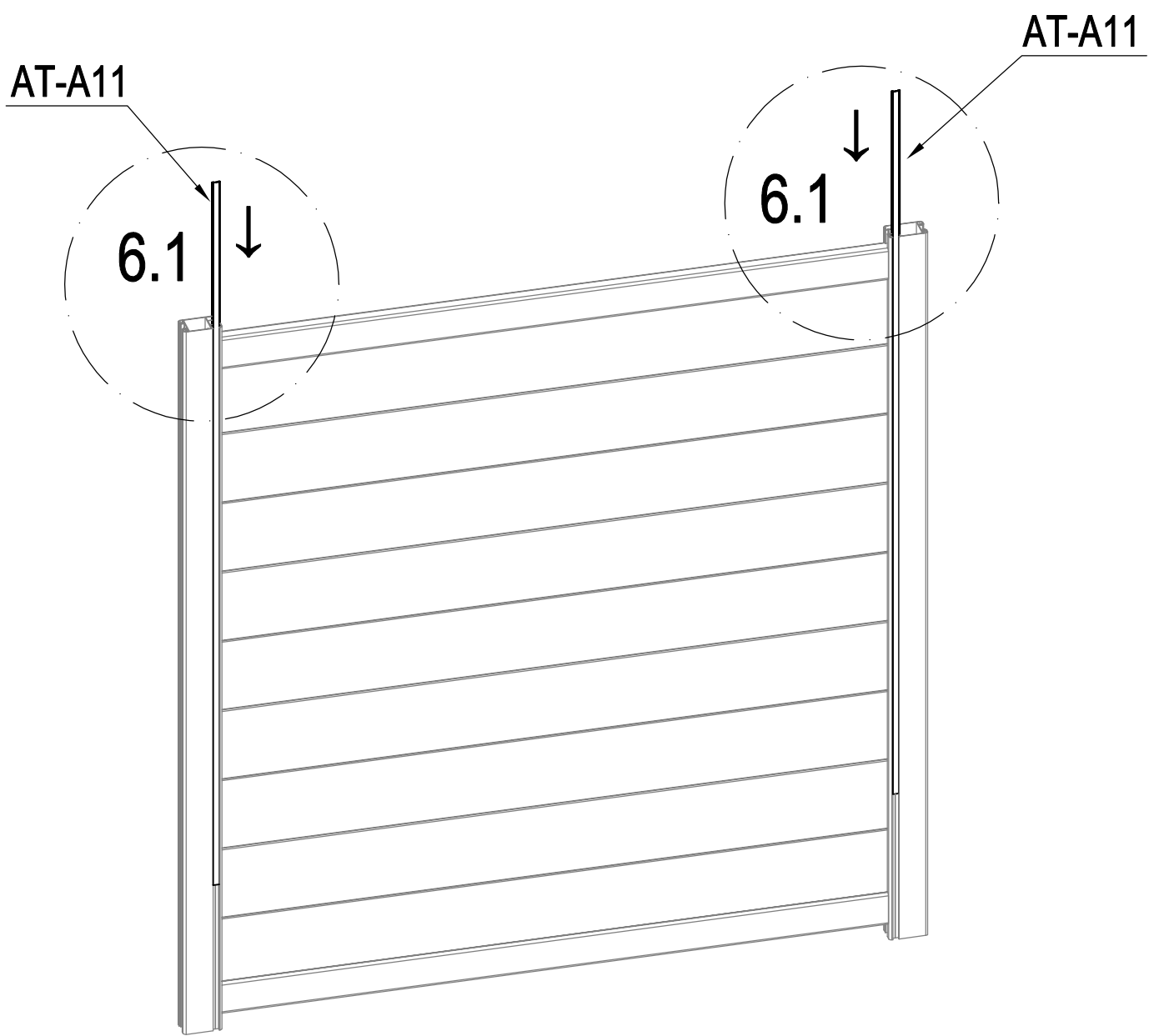
180°

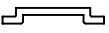


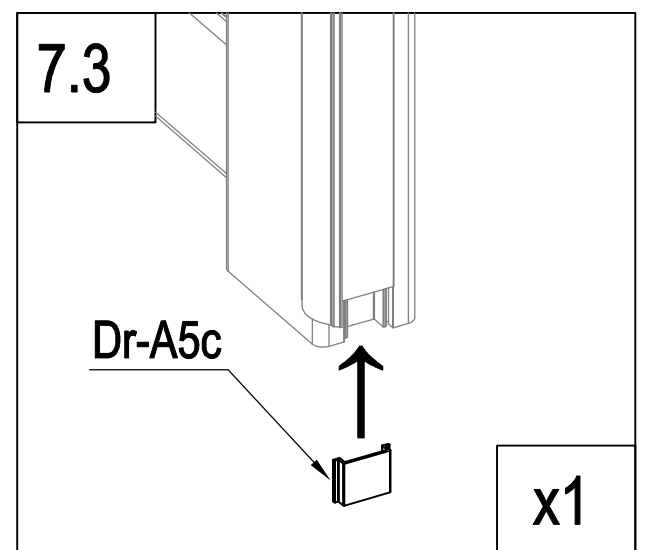
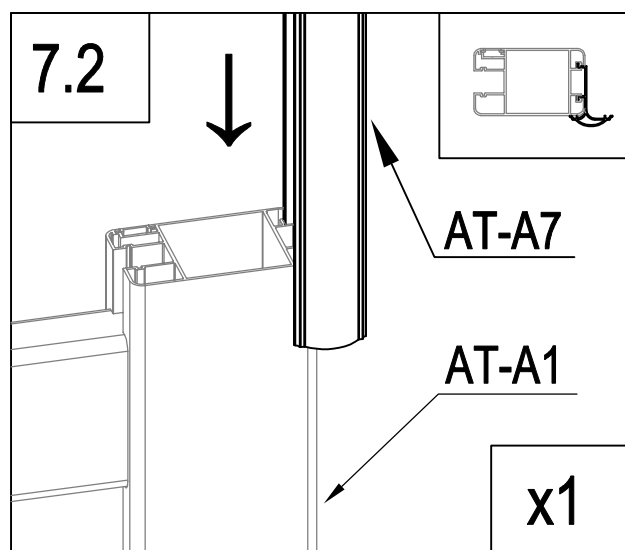
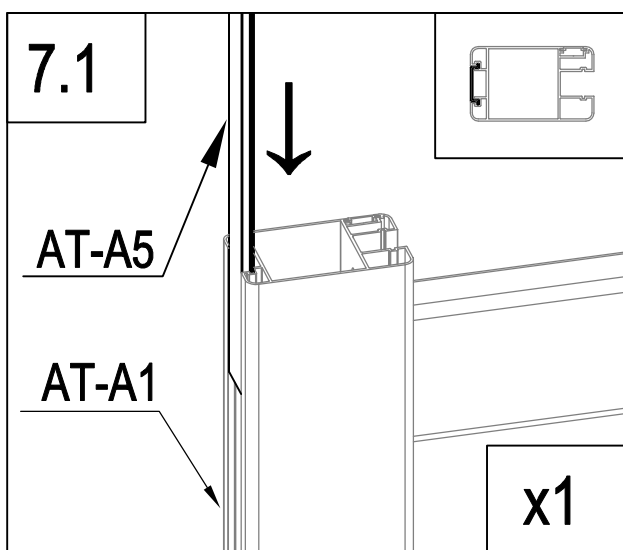
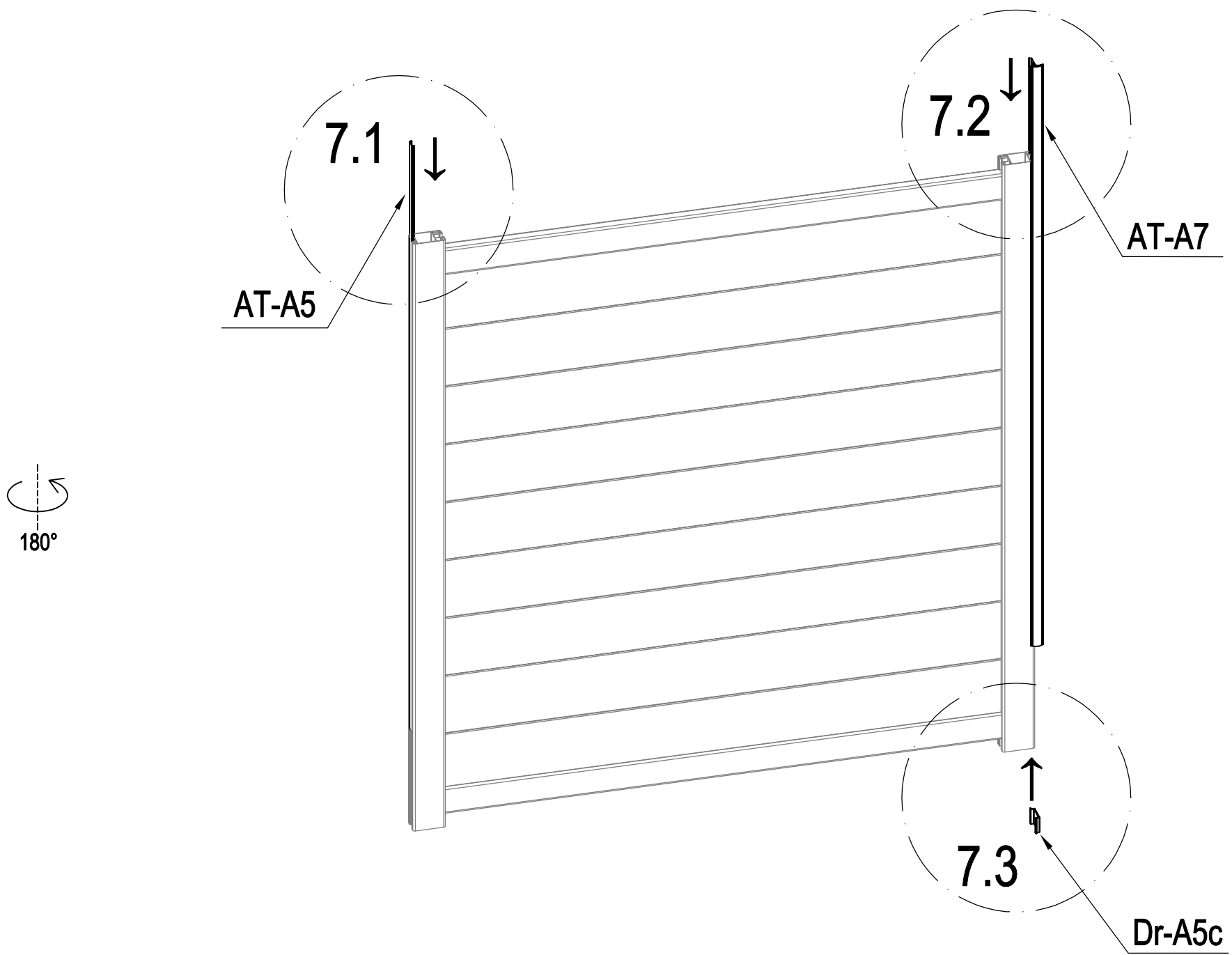
A=B


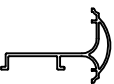


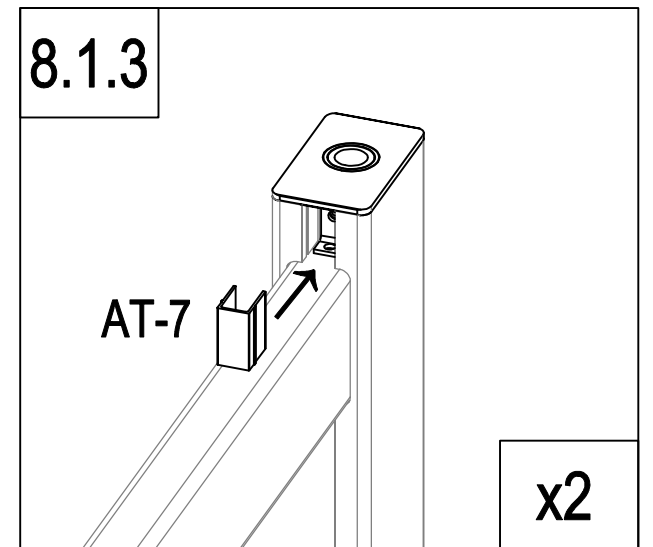
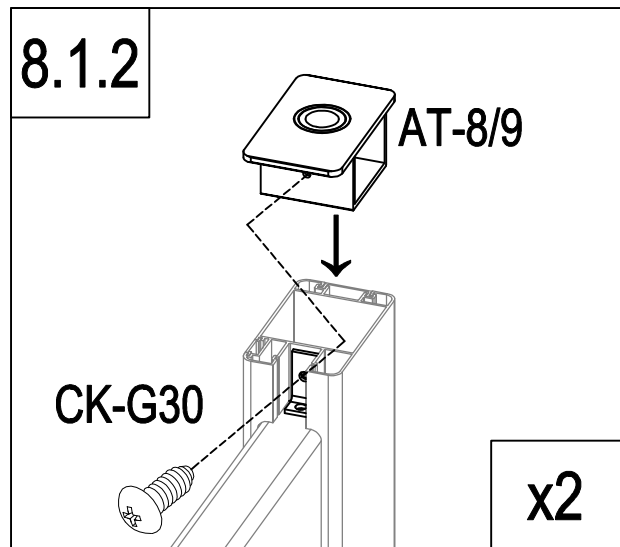
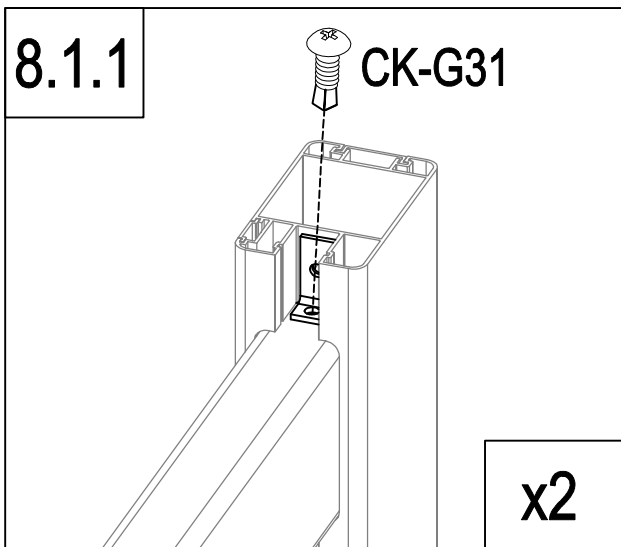
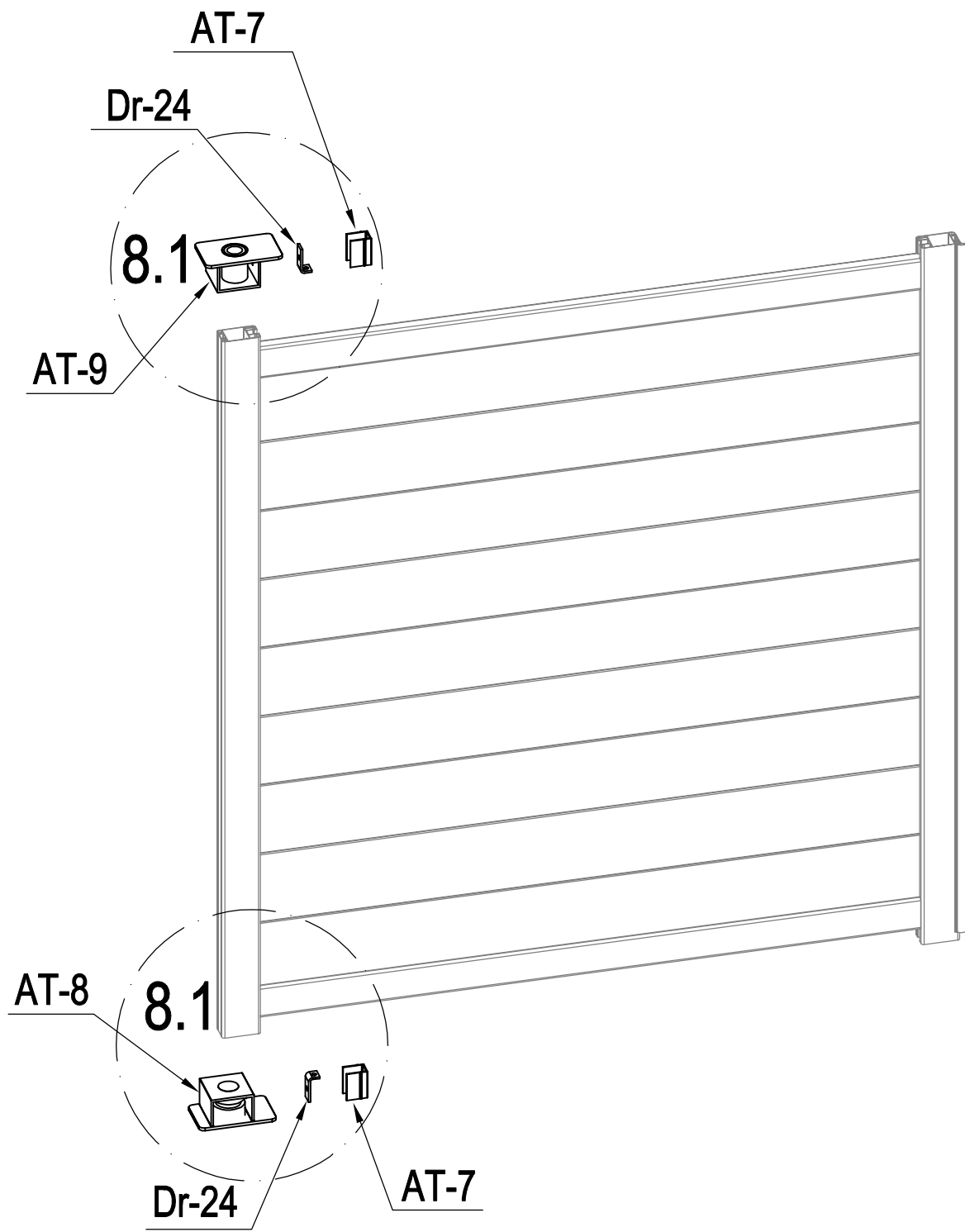
	CK-G36	36
--	--------	----

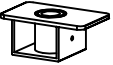






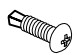
	AT-A11	2
---	--------	---

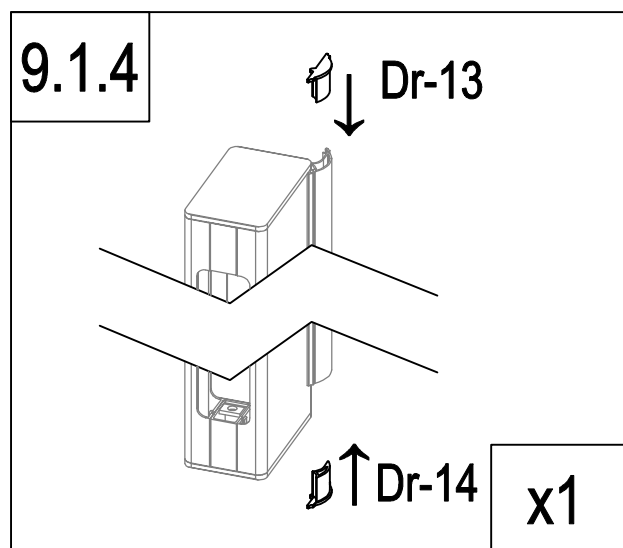
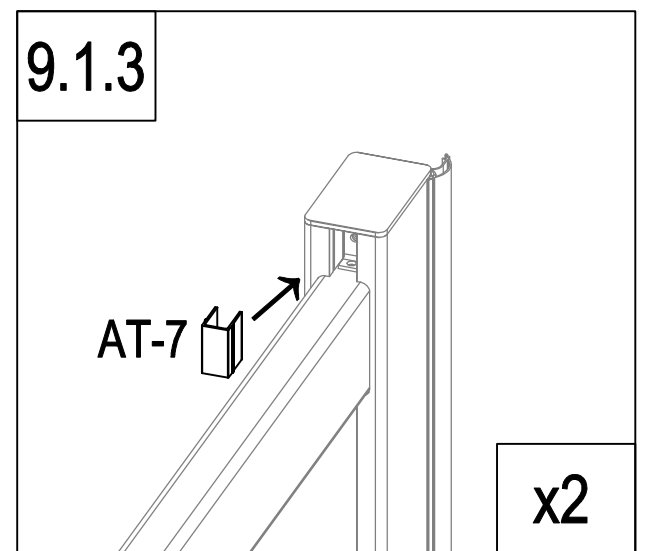
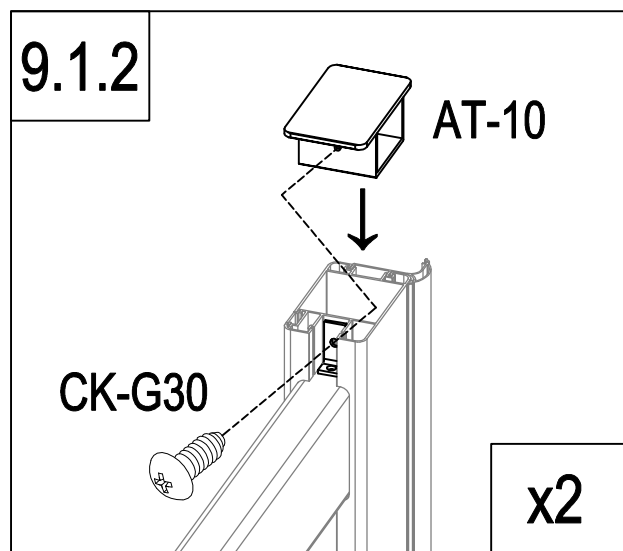
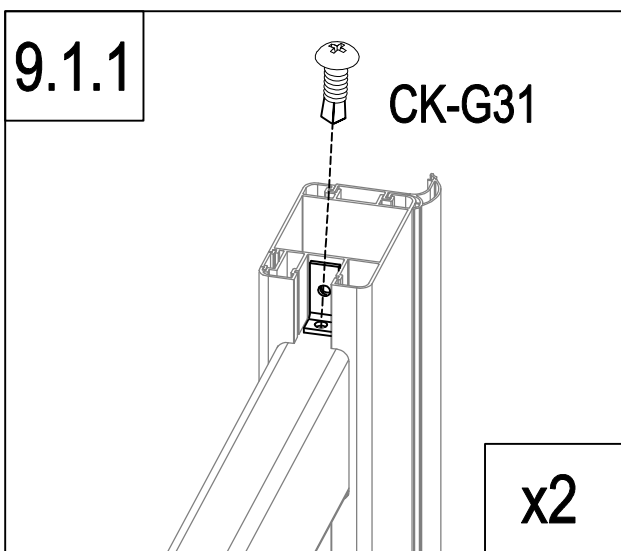
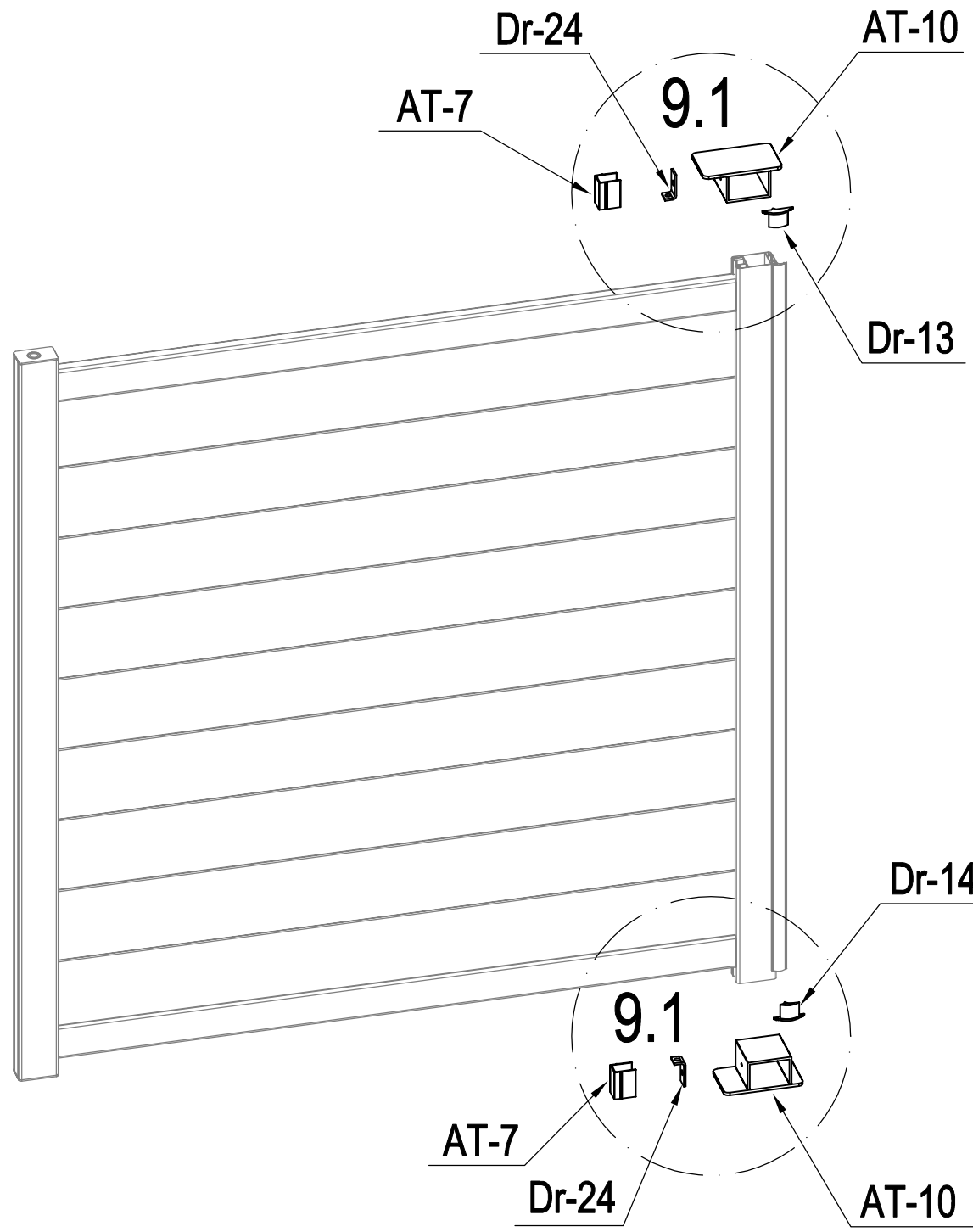


	AT-A5	1
	Dr-A5c	1
	AT-A7	1



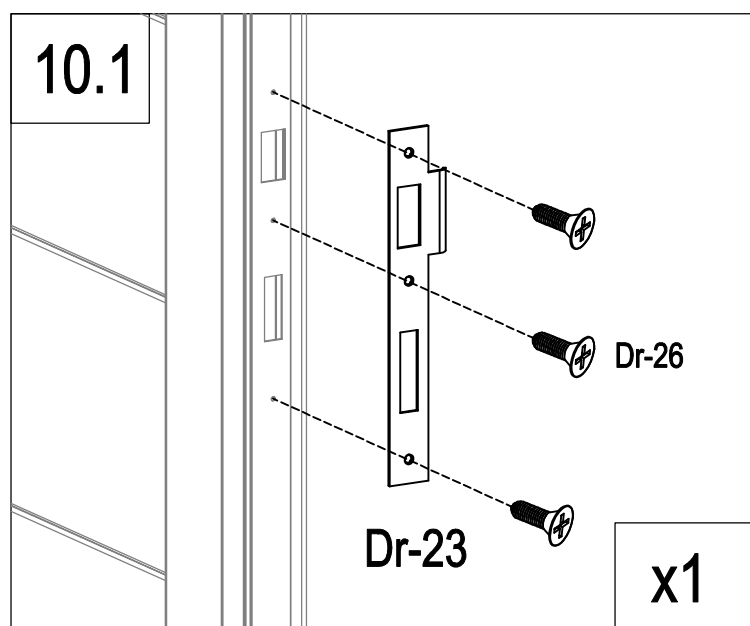
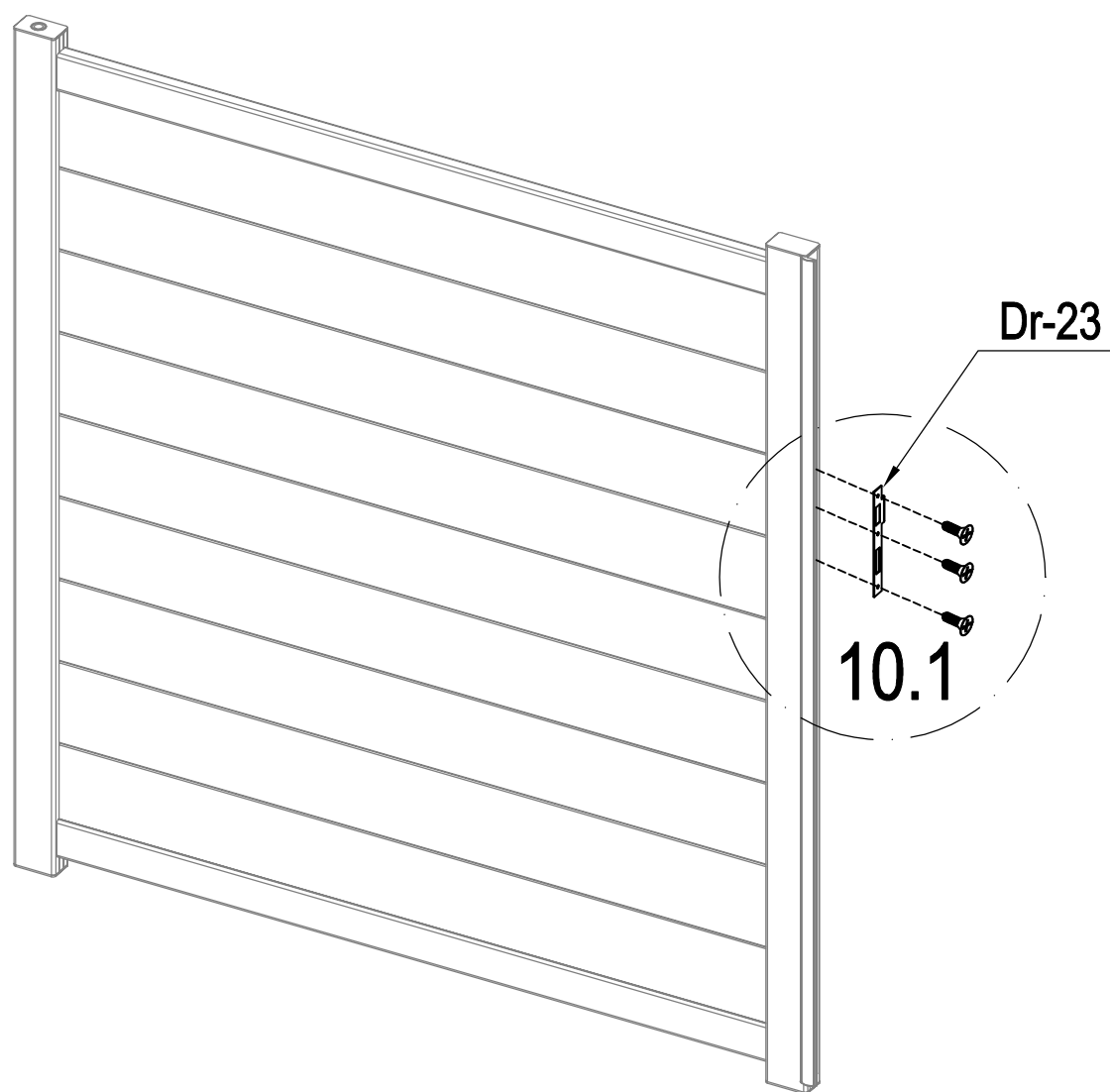
	AT-8	1
	AT-9	1
	Dr-24	2

	AT-7	2
	CK-G30	2
	CK-G31	2

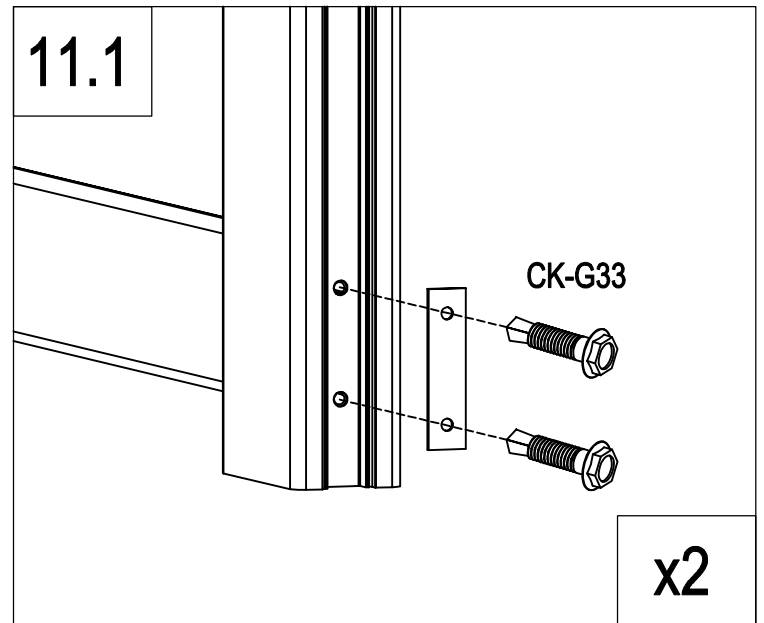
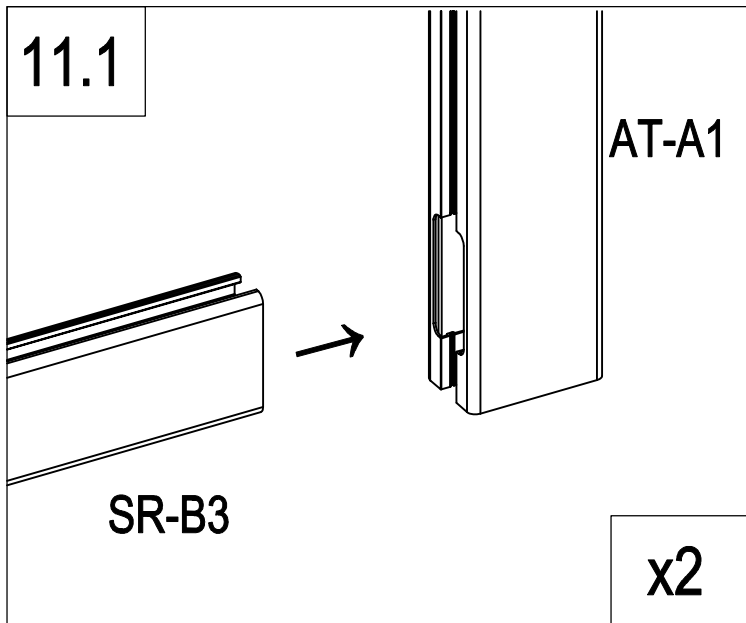
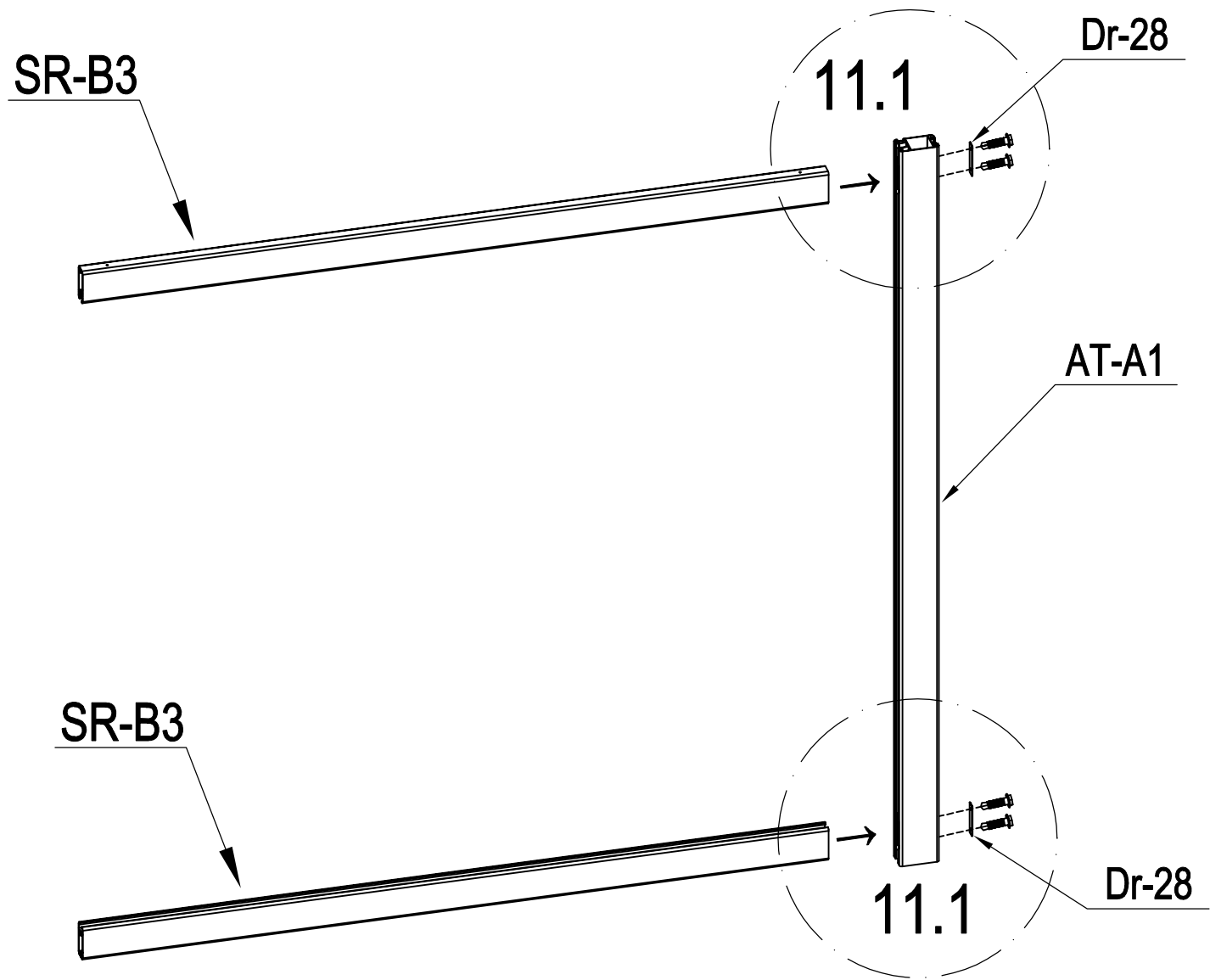


	AT-10	2
	Dr-24	2
	AT-7	2
	Dr-13	1

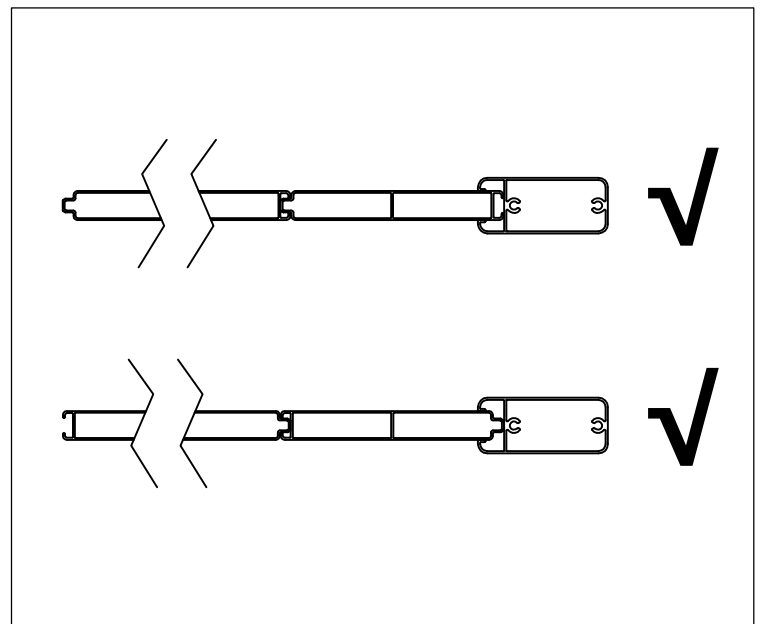
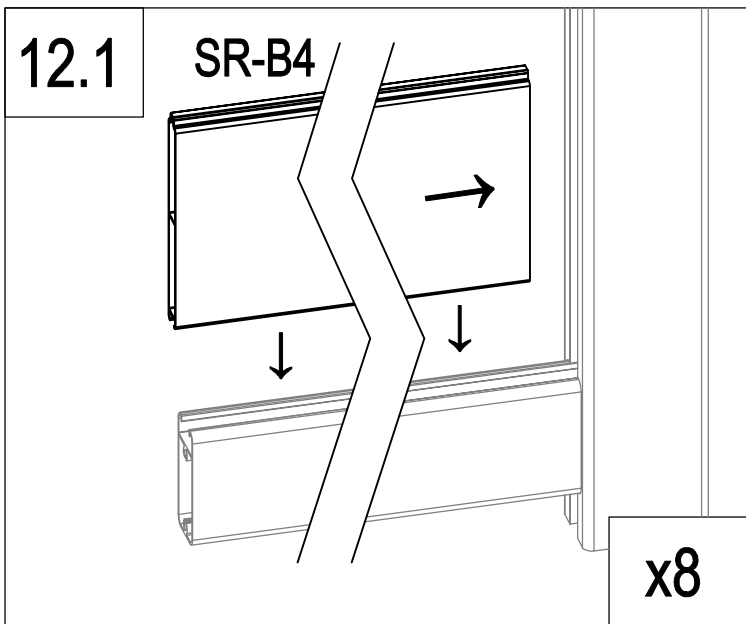
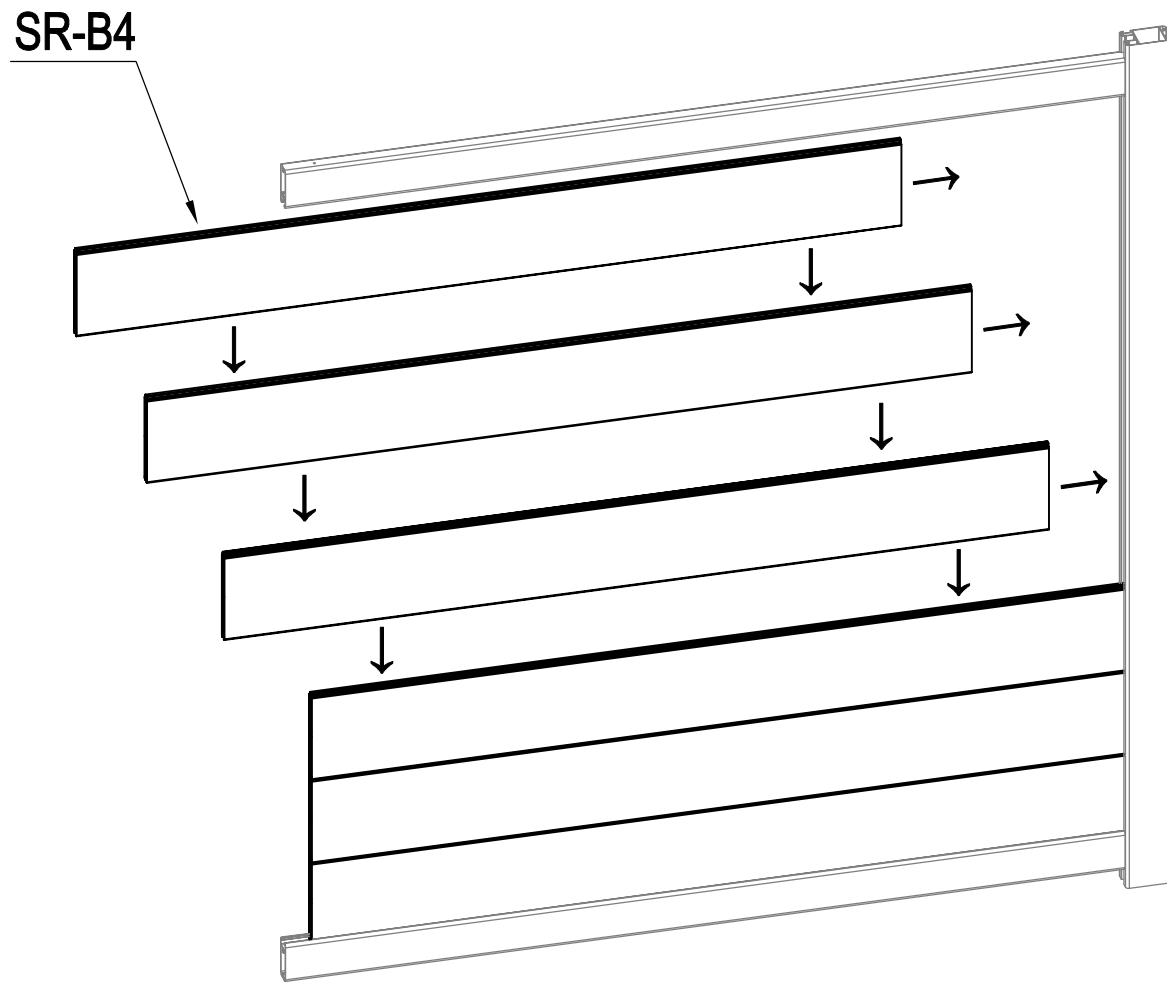
	Dr-14	1
	CK-G30	2
	CK-G31	2



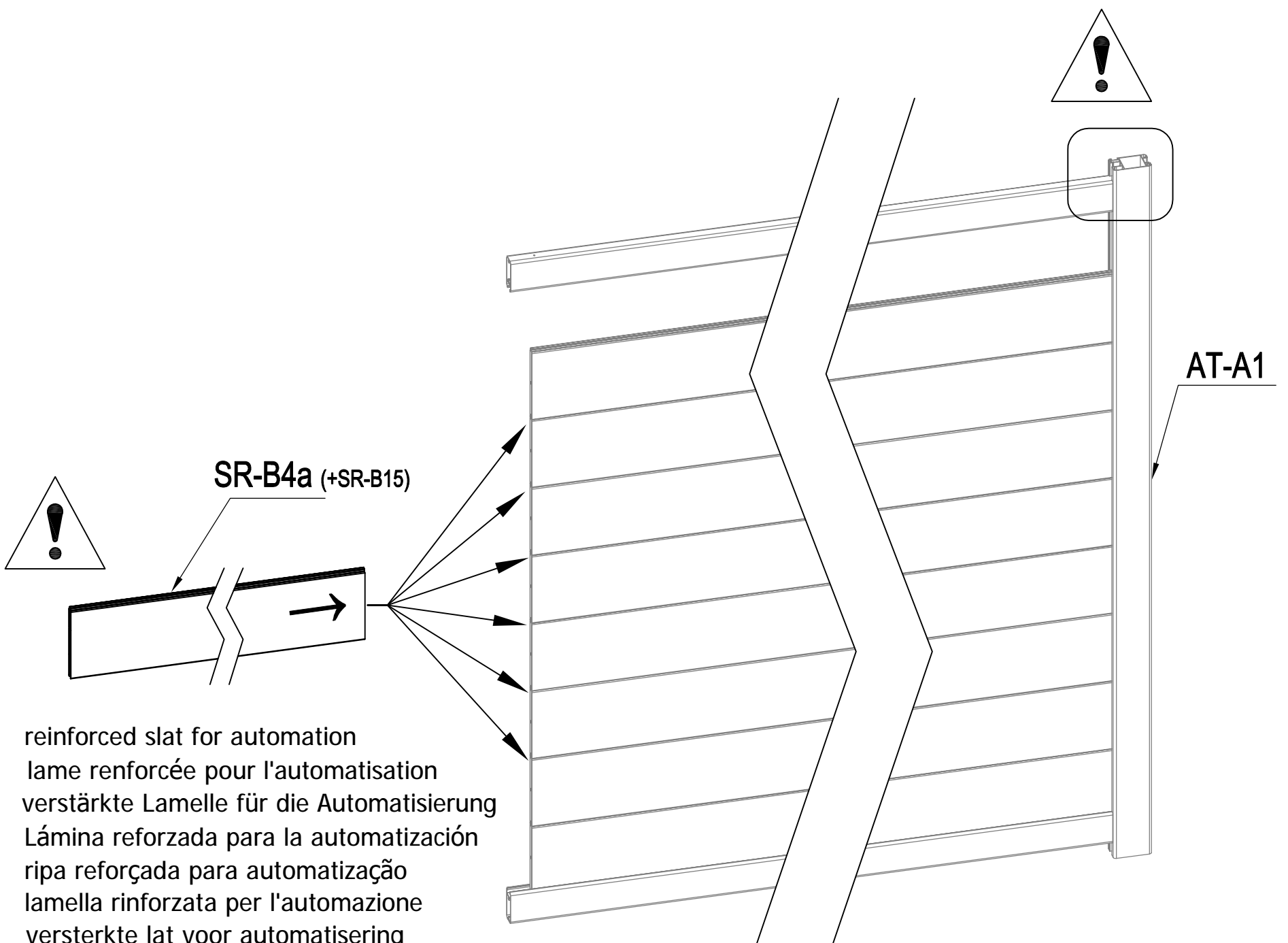
	Dr-23	1
	Dr-26	3



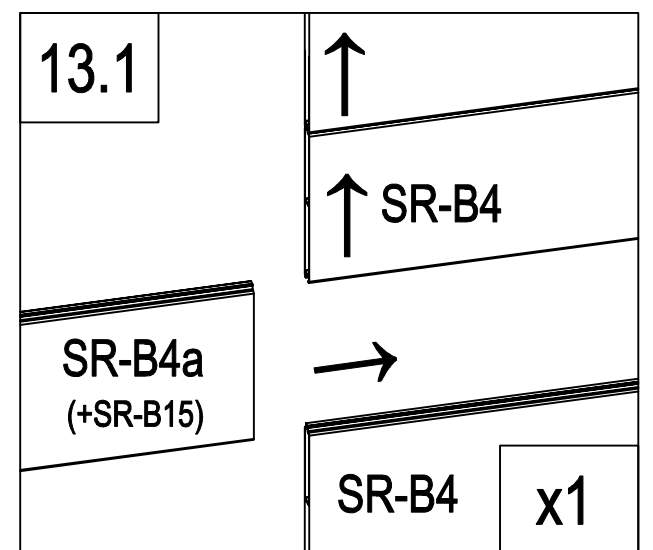
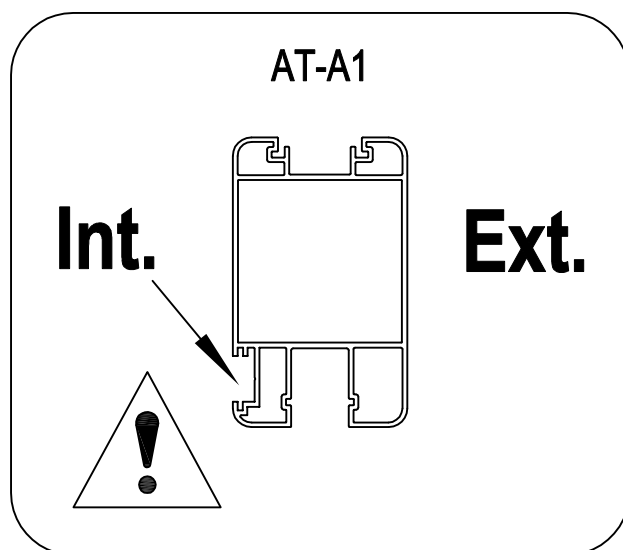
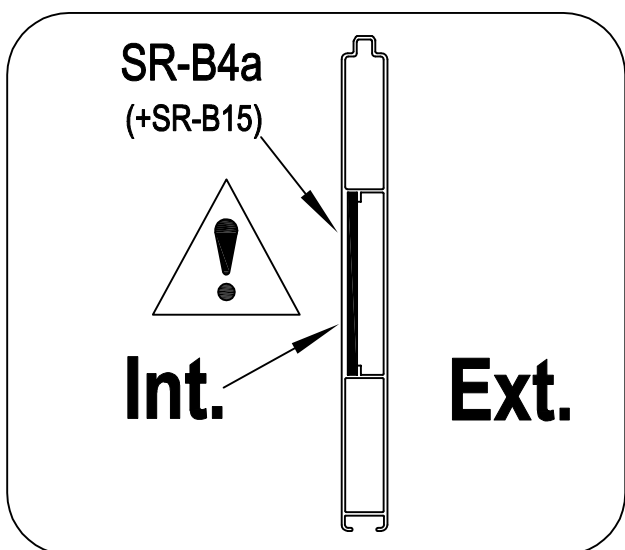
	AT-A1	1
	SR-B3	2
	Dr-28	2
	CK-G33	4




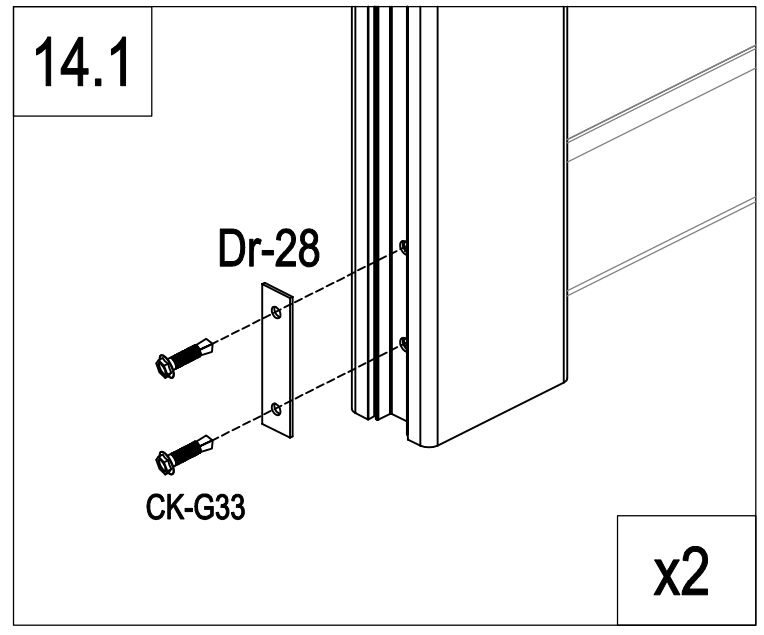
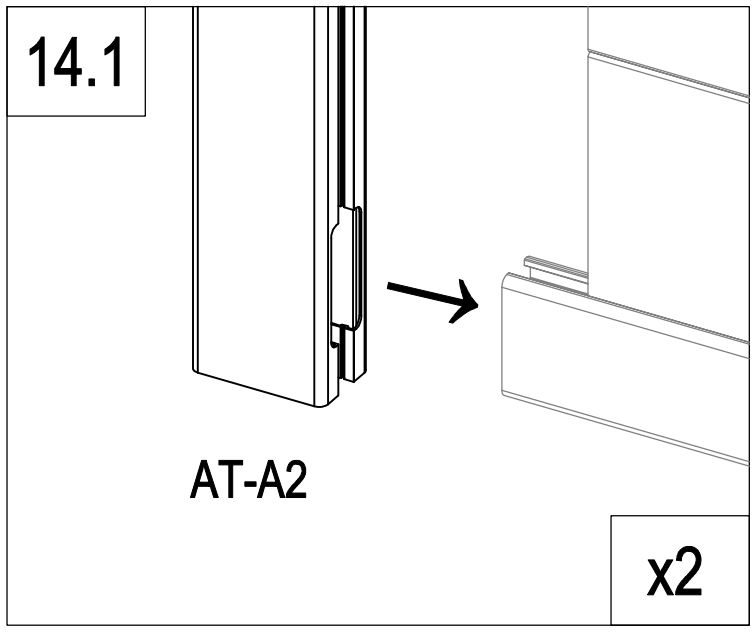
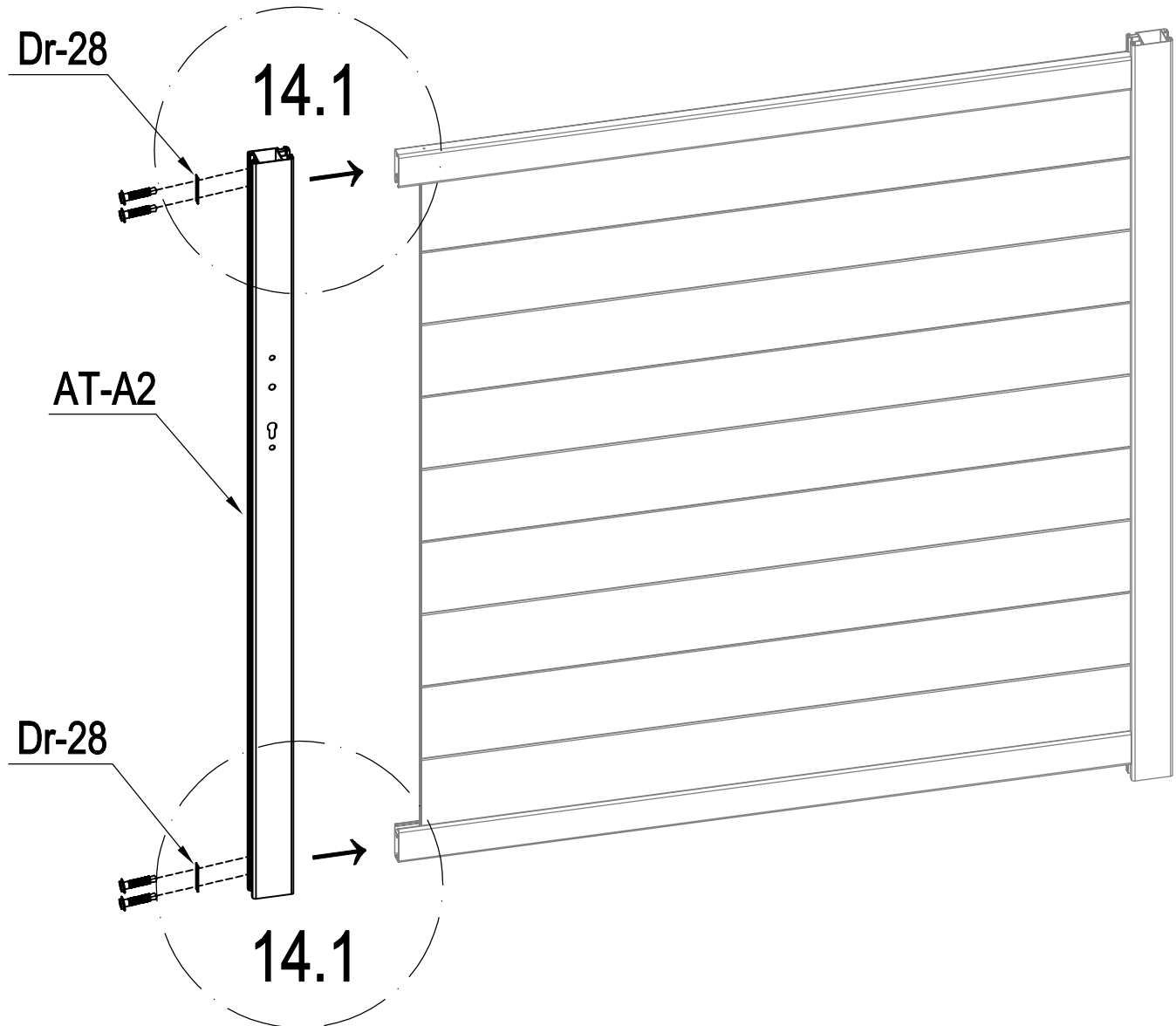
	SR-B4	8
---	-------	---

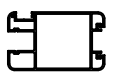

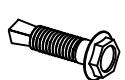


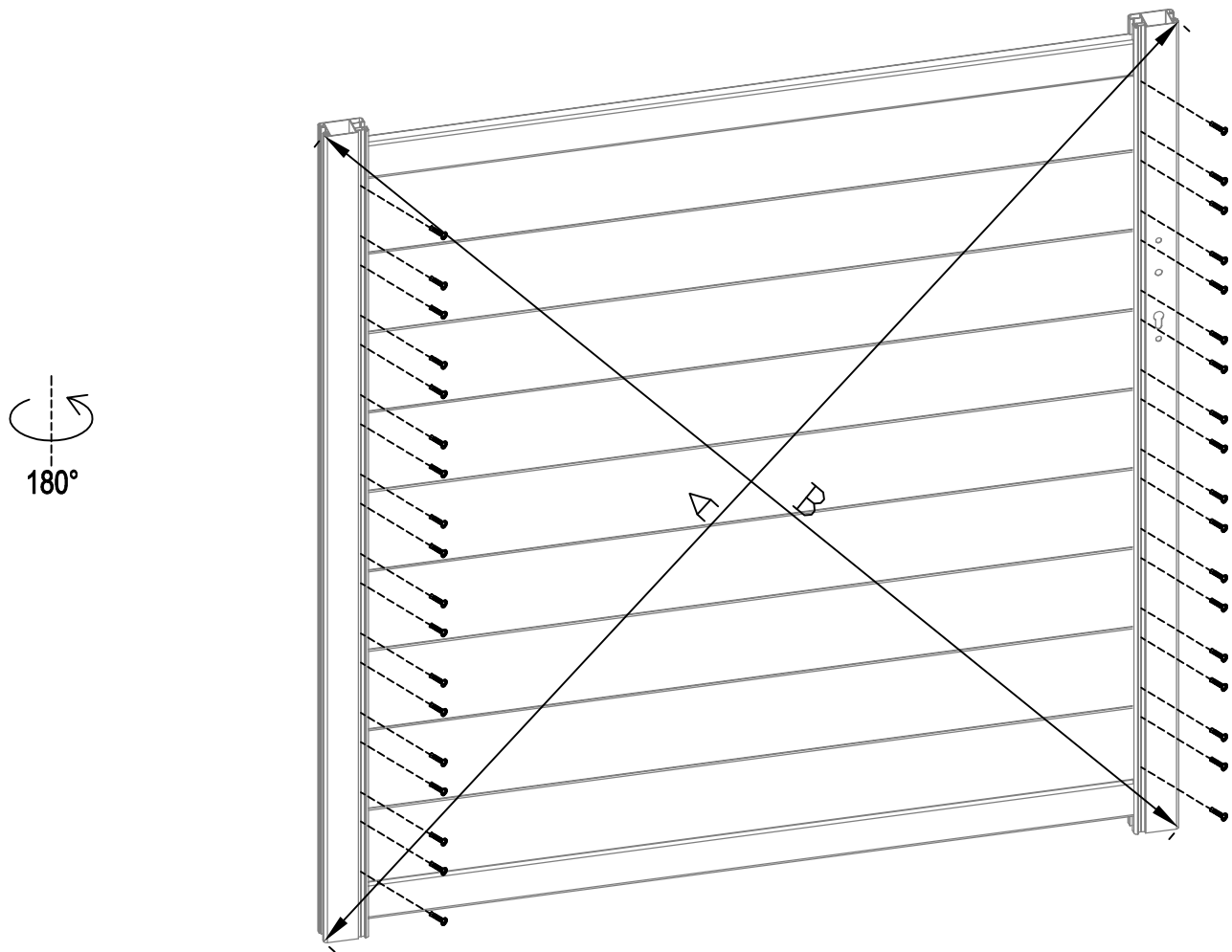
- EN: reinforced slat for automation
- FR: lame renforcée pour l'automatisation
- DE: verstärkte Lamelle für die Automatisierung
- ES: Lámina reforzada para la automatización
- PT: ripa reforçada para automatização
- IT: lamella rinforzata per l'automazione
- NL: versterkte lat voor automatisering
- PL: wzmocniona listwa do automatyzacji



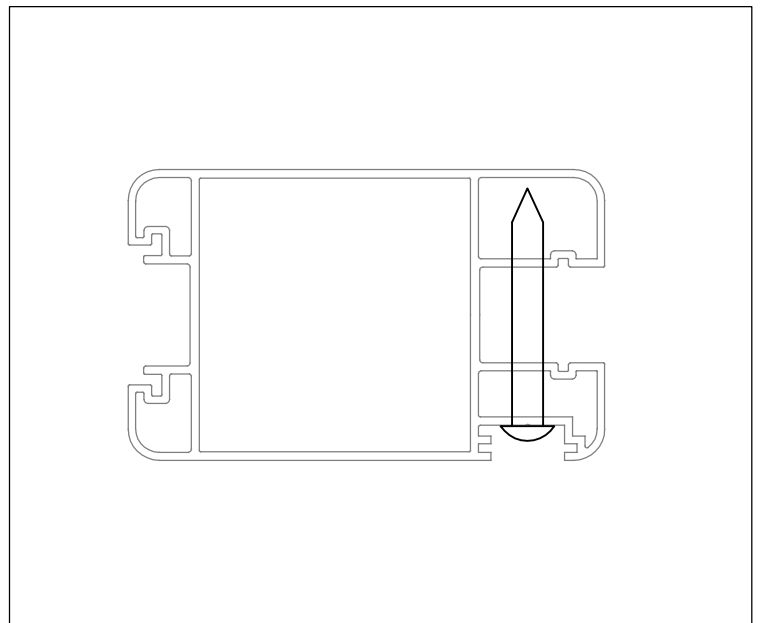
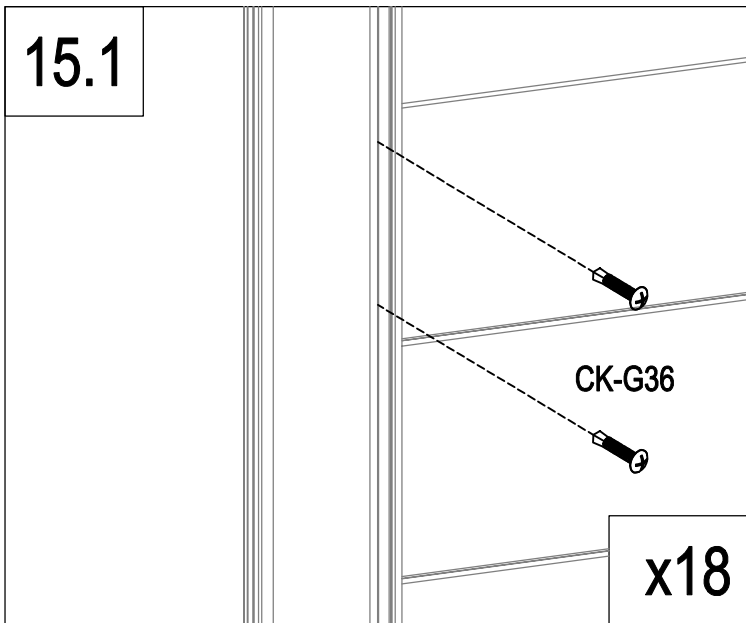
	SR-B4a (+SR-B15)	1
---	------------------	---



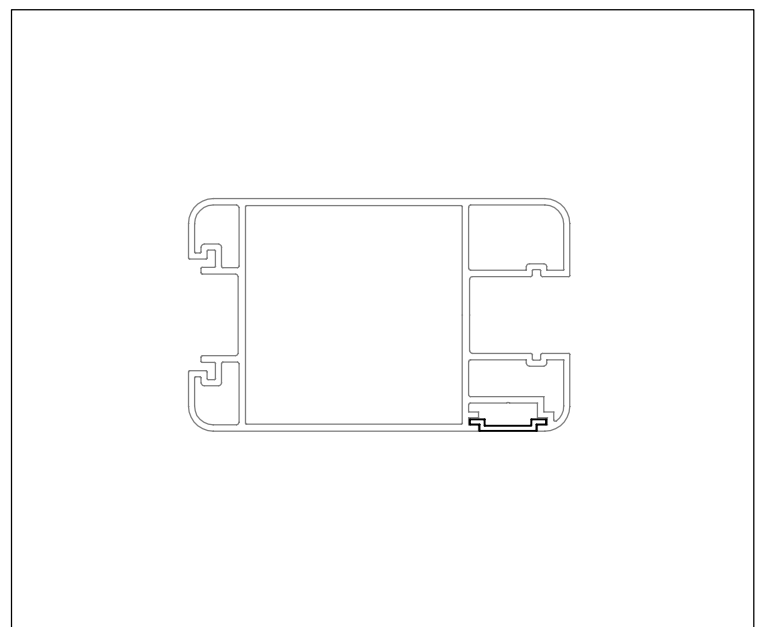
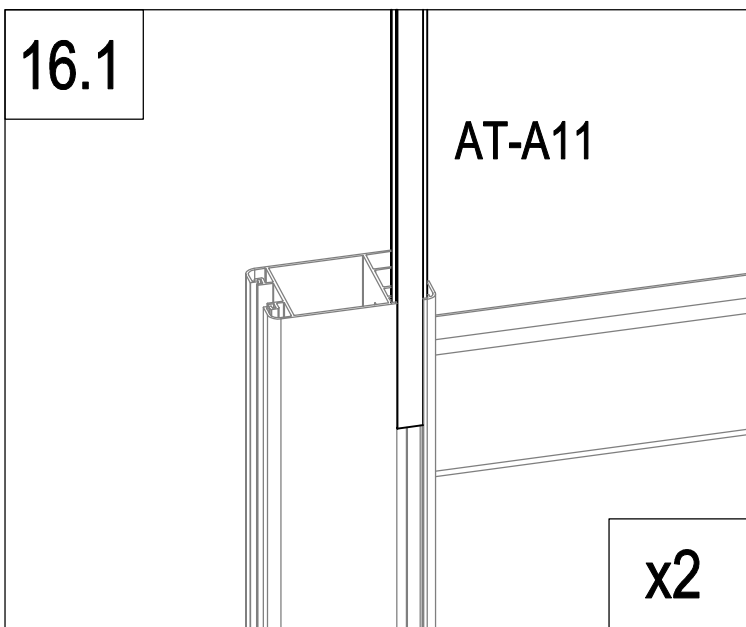
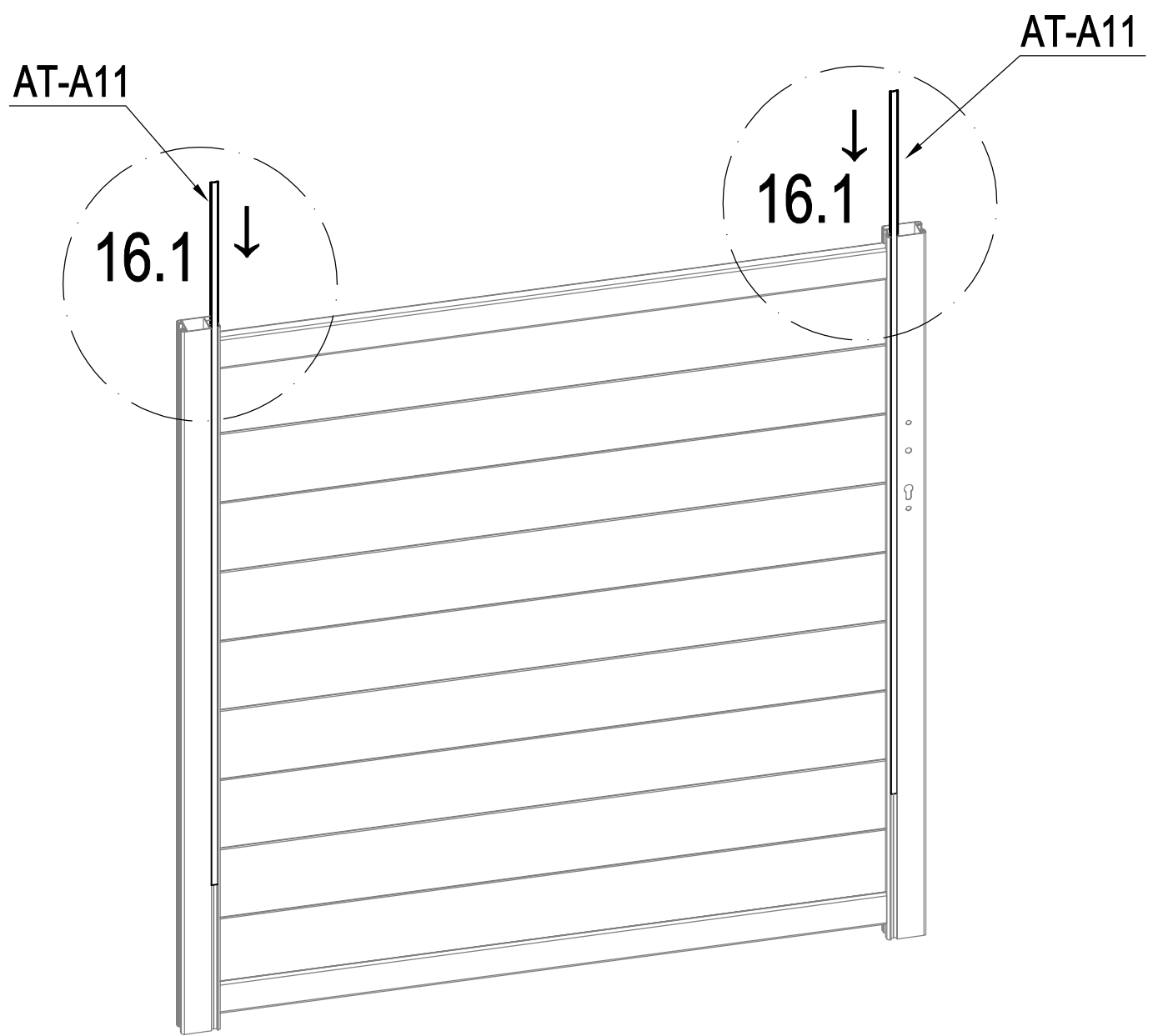
	AT-A2	1
	Dr-28	2
	CK-G33	4

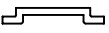


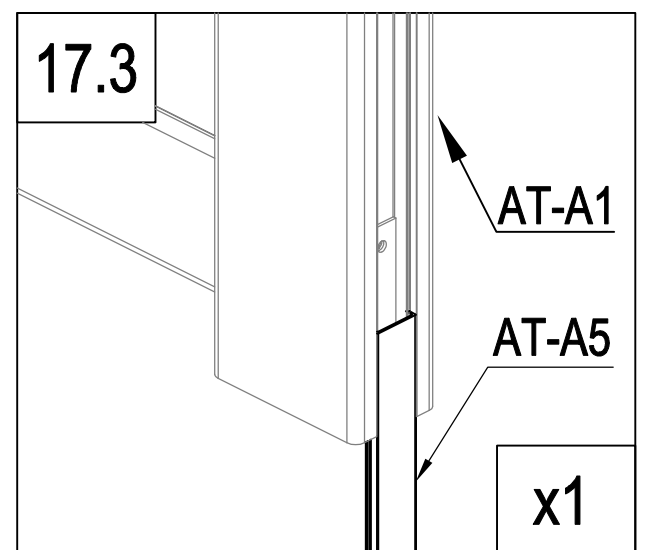
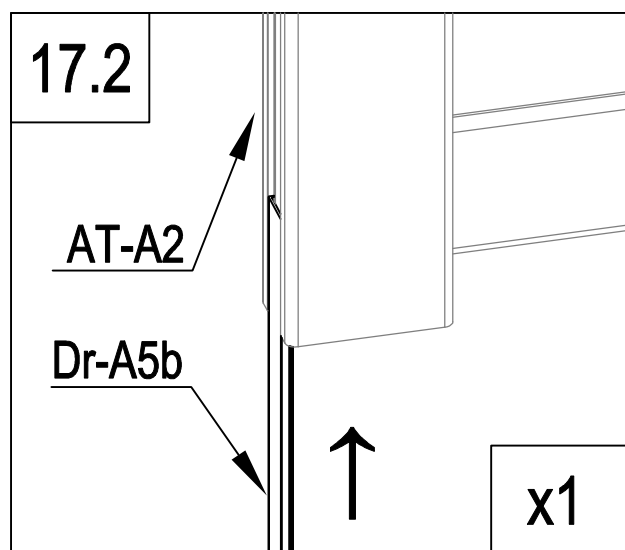
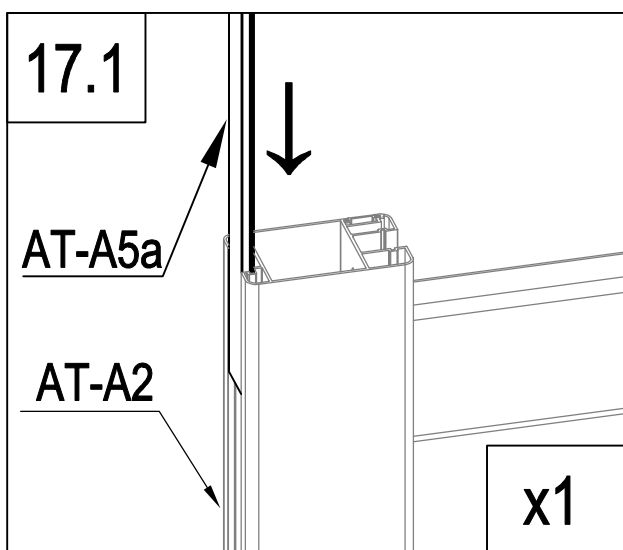
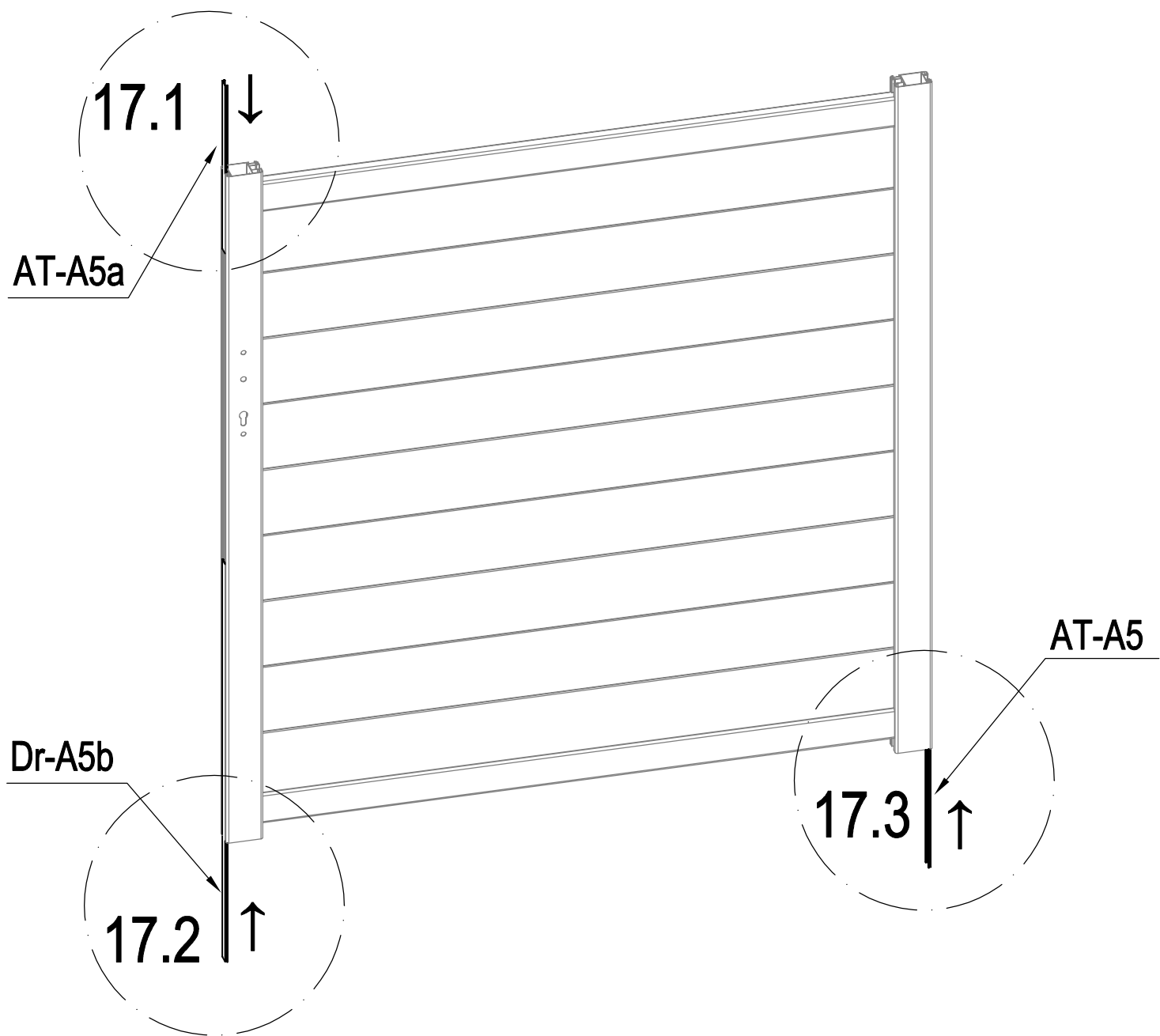
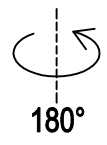
A=B



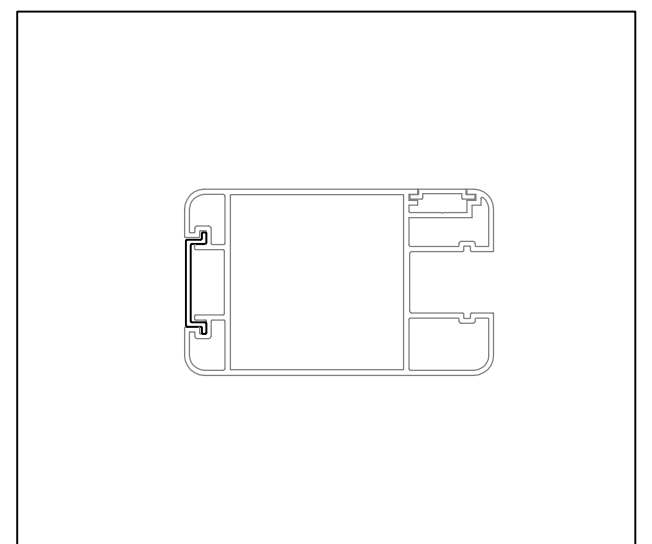
	<p>CK-G36</p>	<p>36</p>
---	---------------	-----------

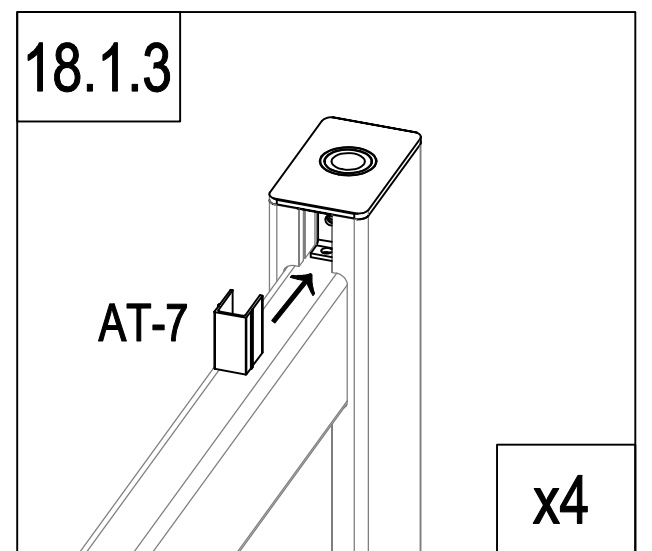
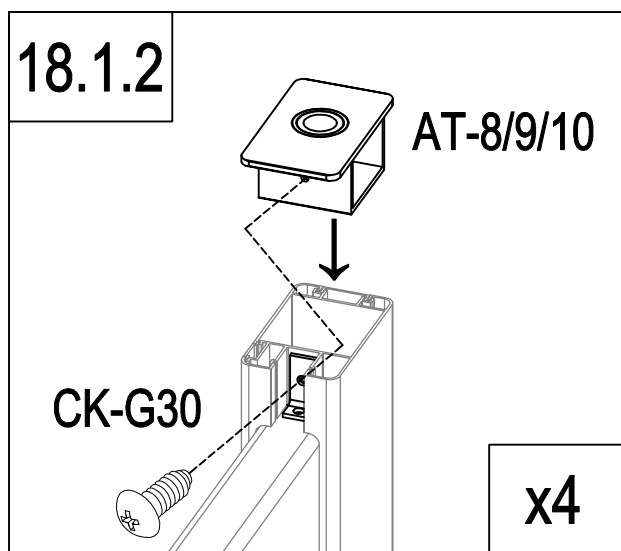
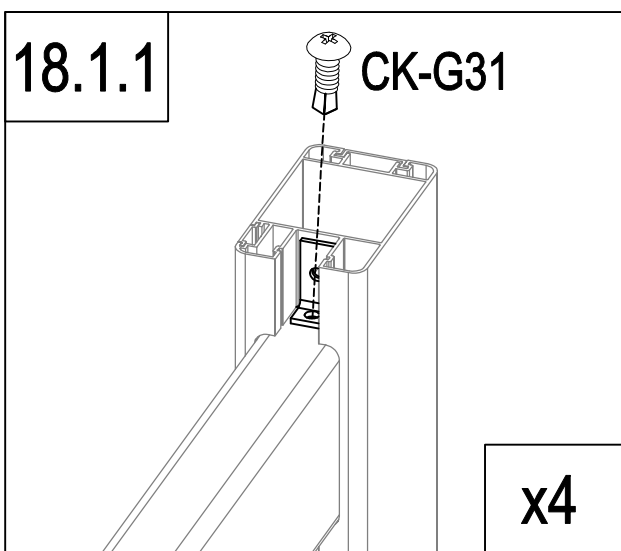
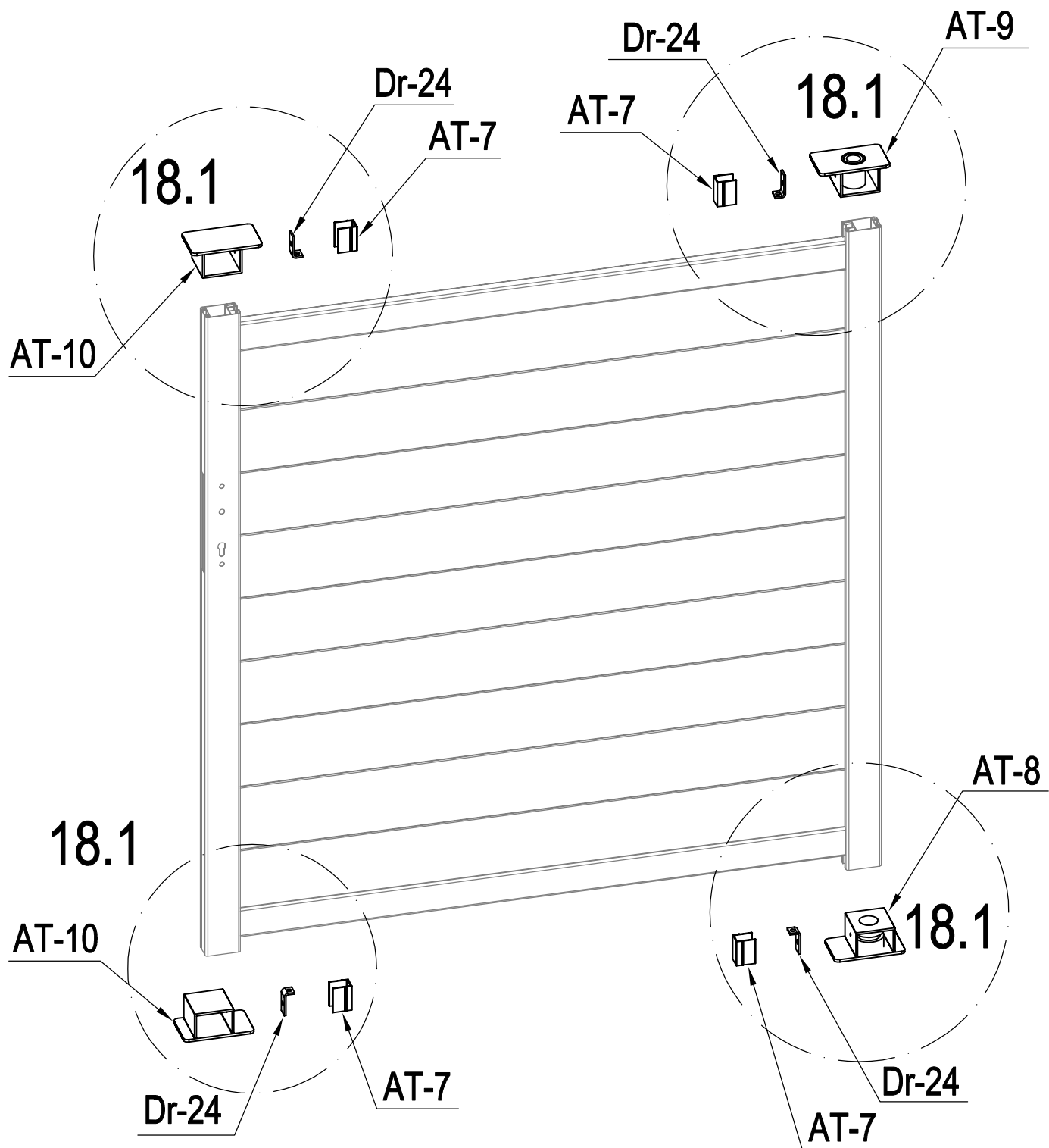


	AT-A11	2
---	--------	---



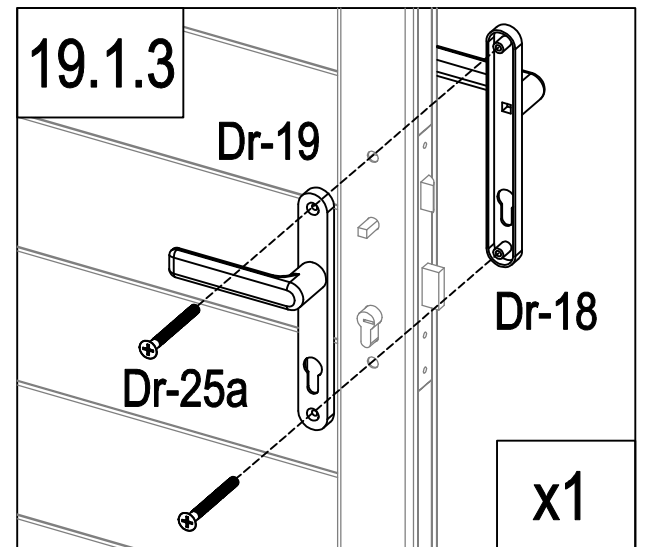
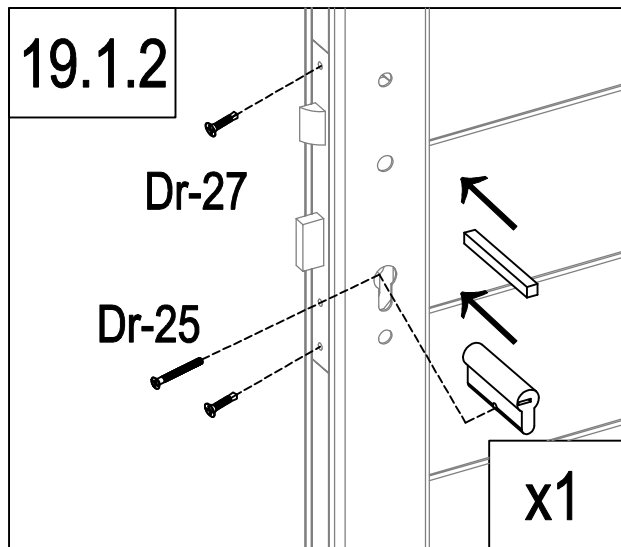
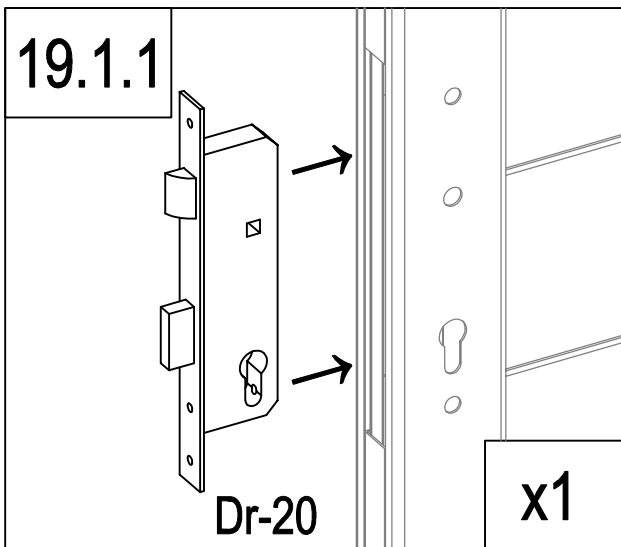
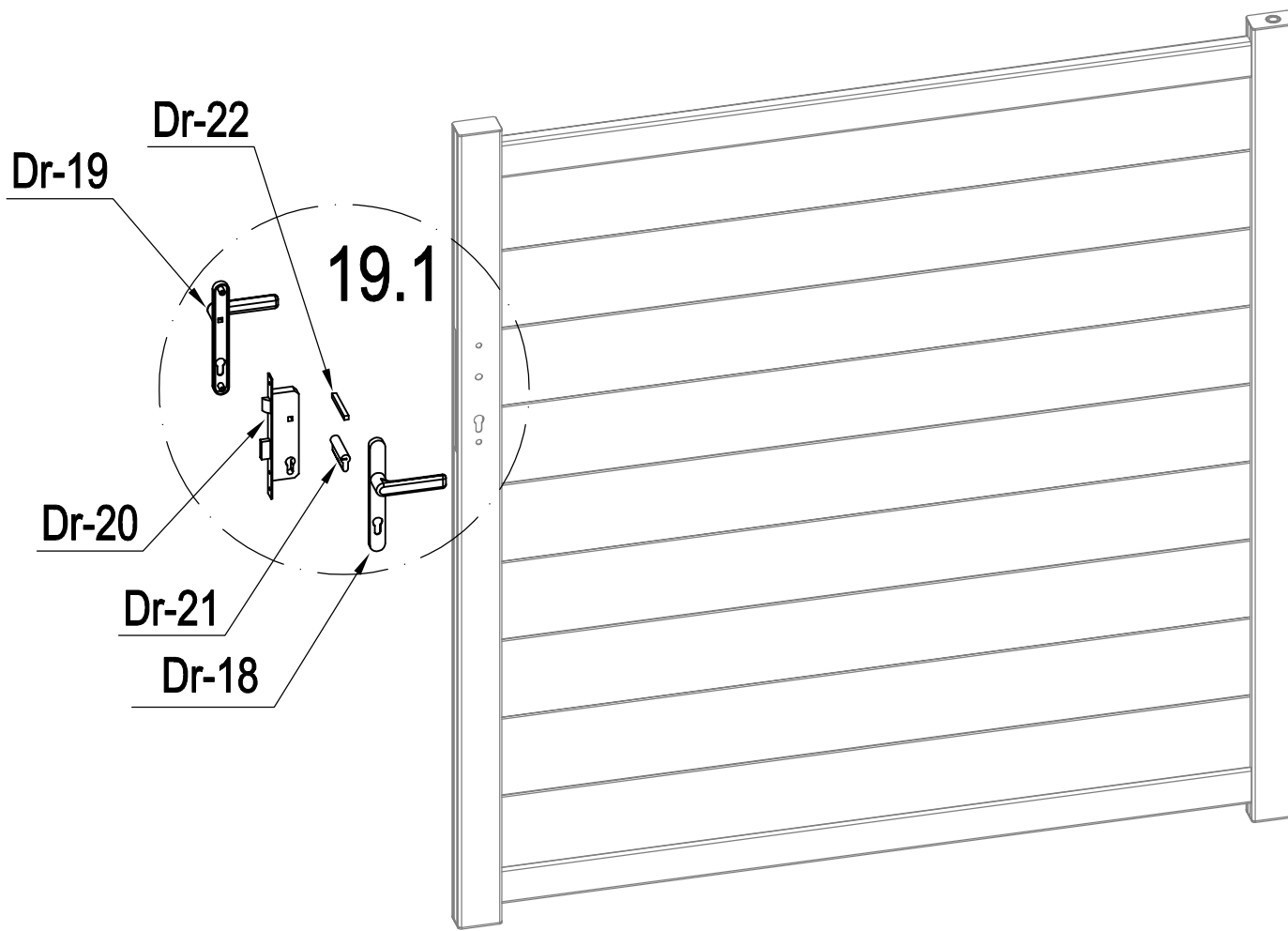
	AT-A5	1
	AT-A5a	1
	Dr-A5b	1





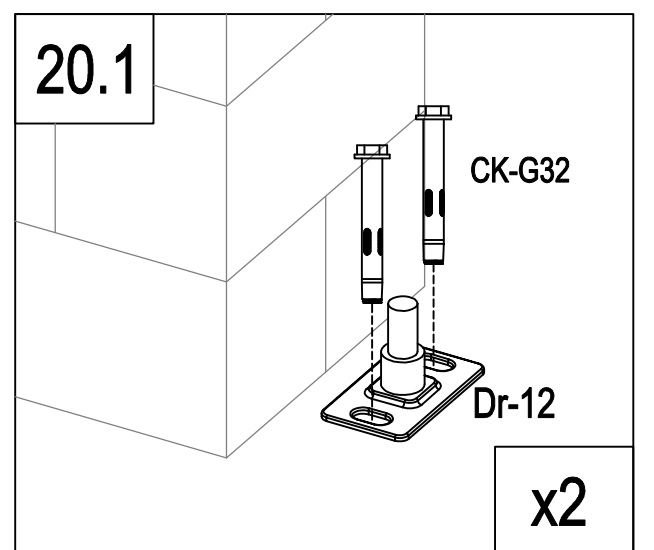
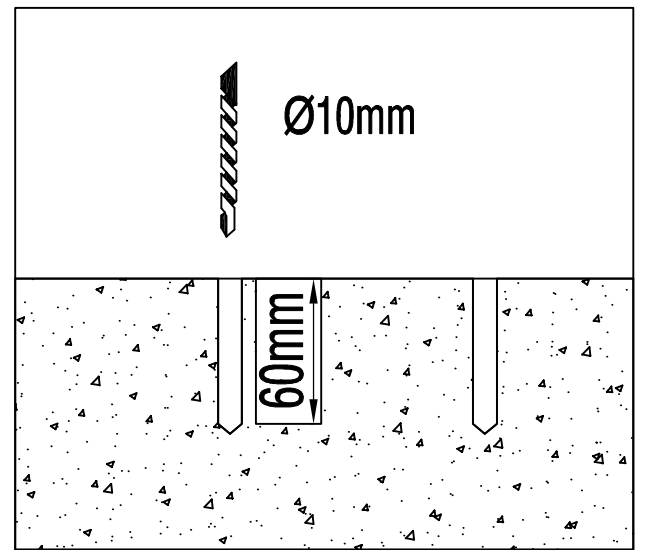
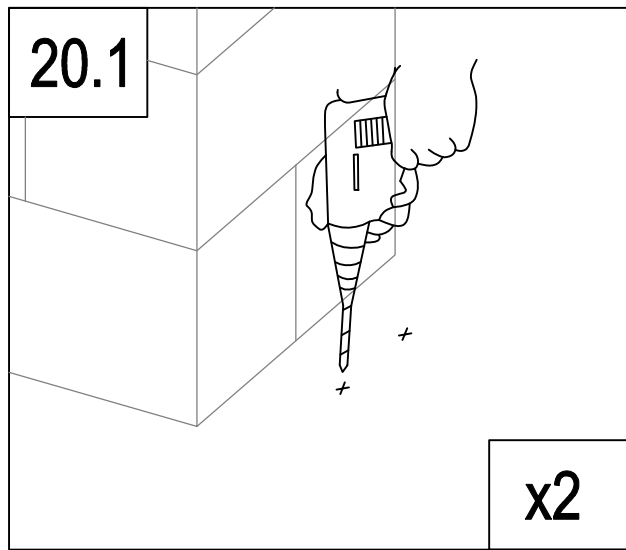
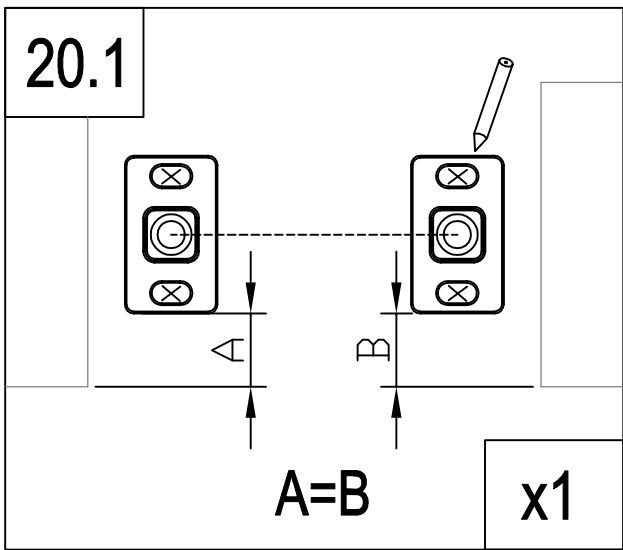
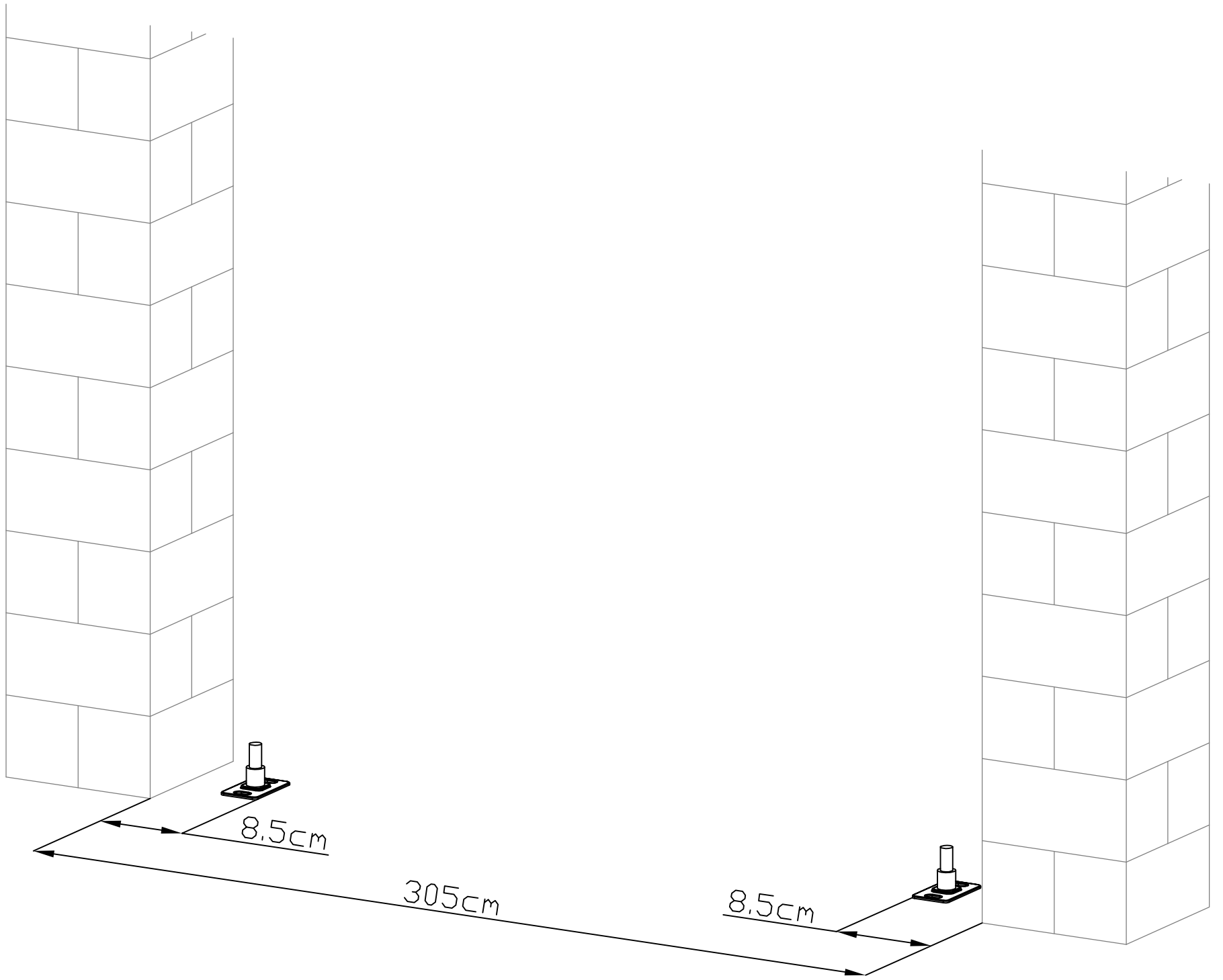
	AT-8	1
	AT-9	1
	AT-10	2
	Dr-24	4

	AT-7	4
	CK-G30	4
	CK-G31	4

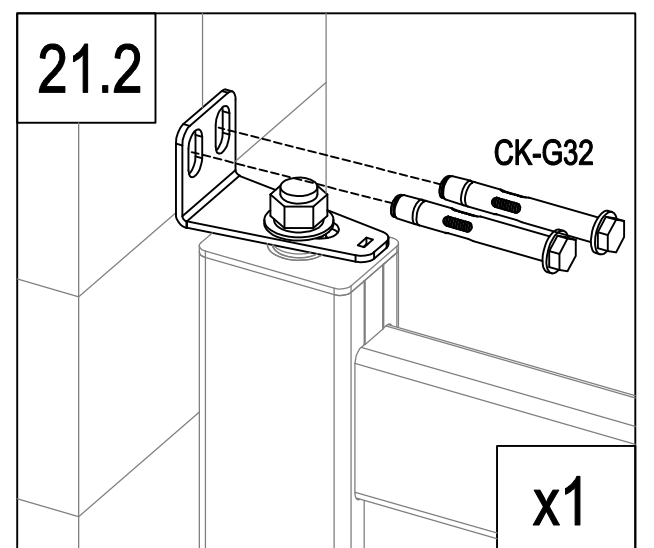
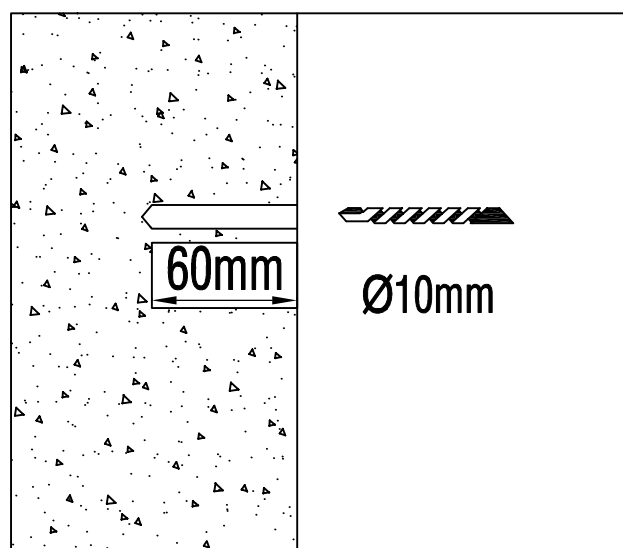
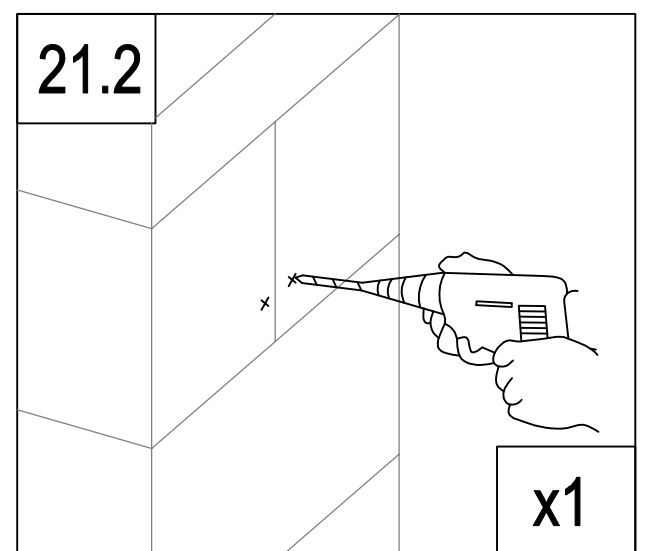
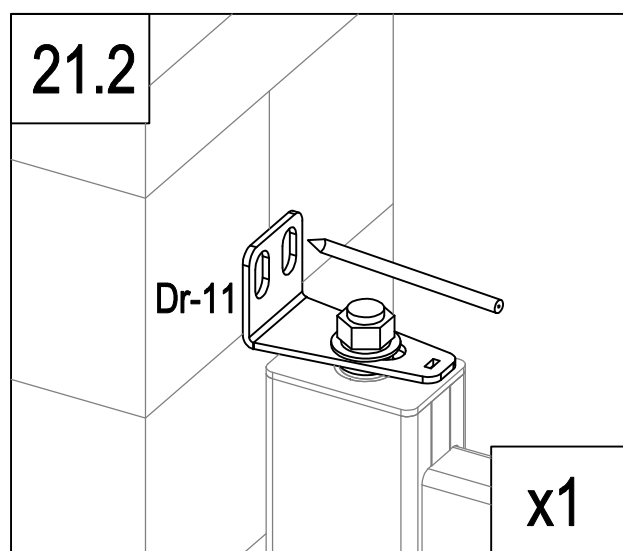
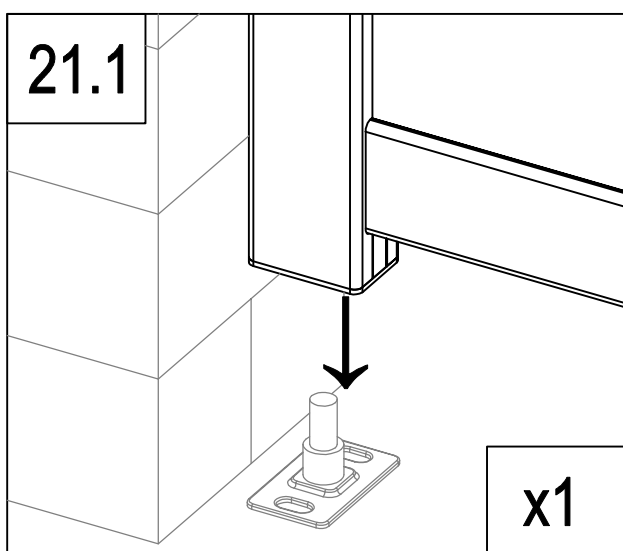
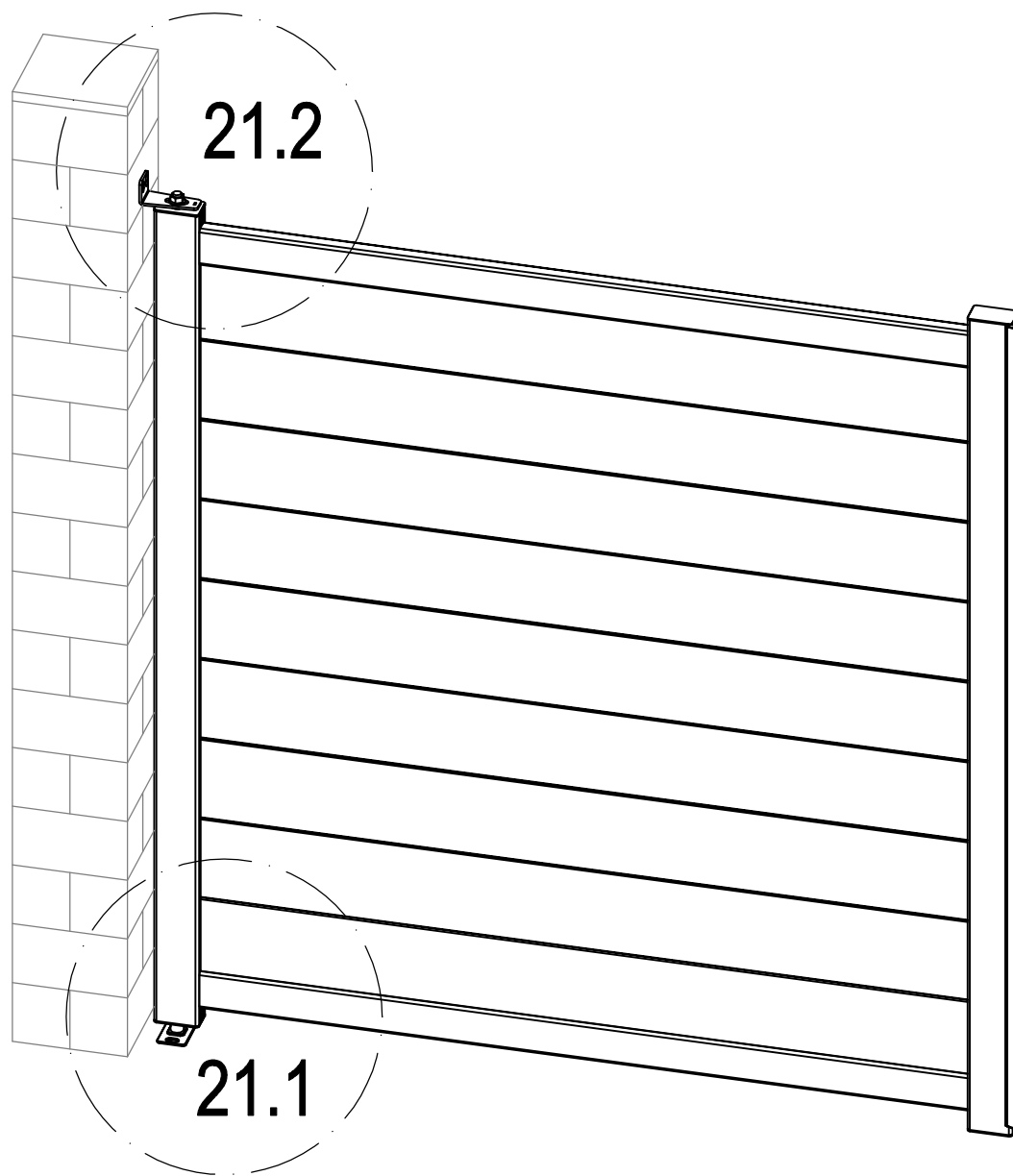


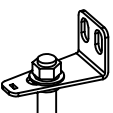

	Dr-20	1
	Dr-21	1
	Dr-22	1
	Dr-25	1

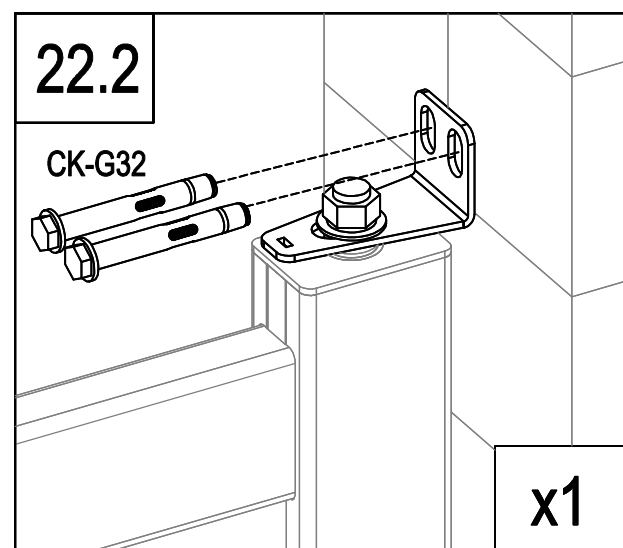
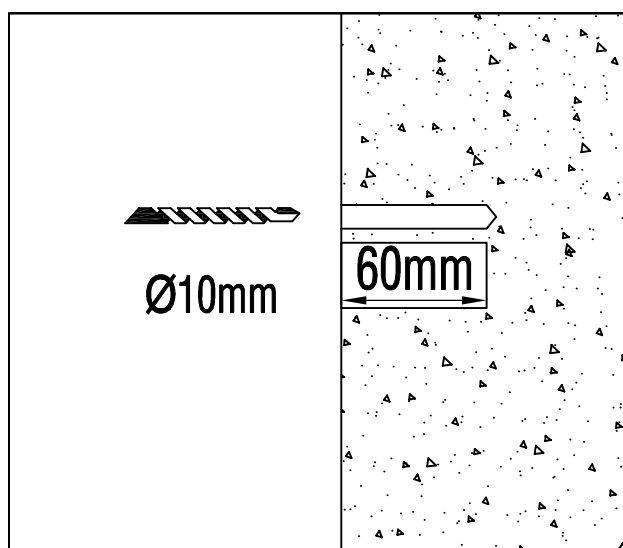
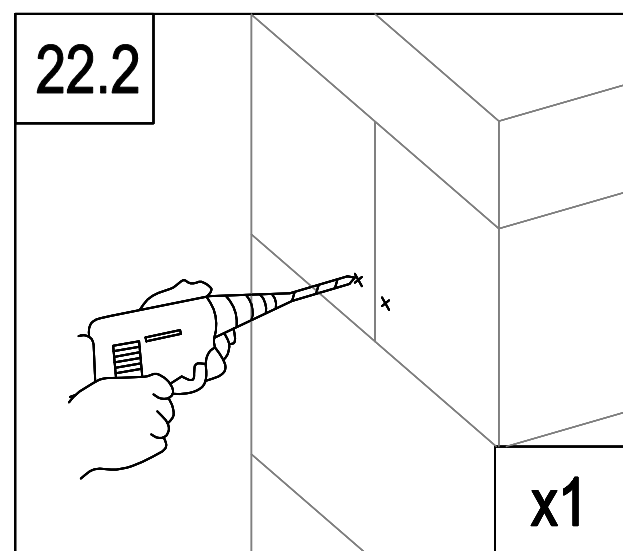
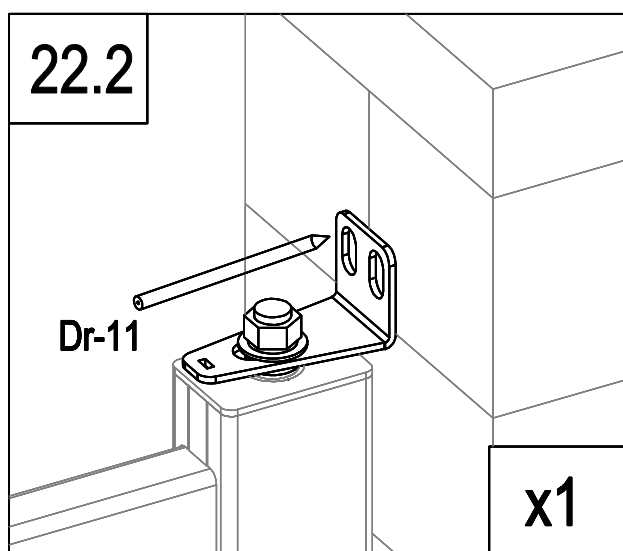
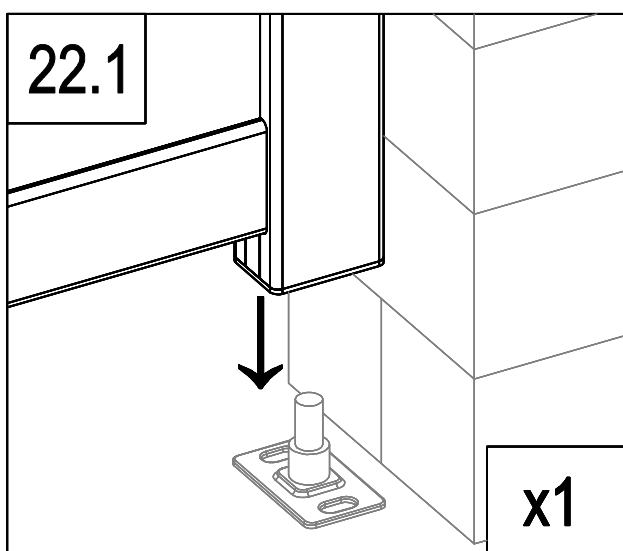
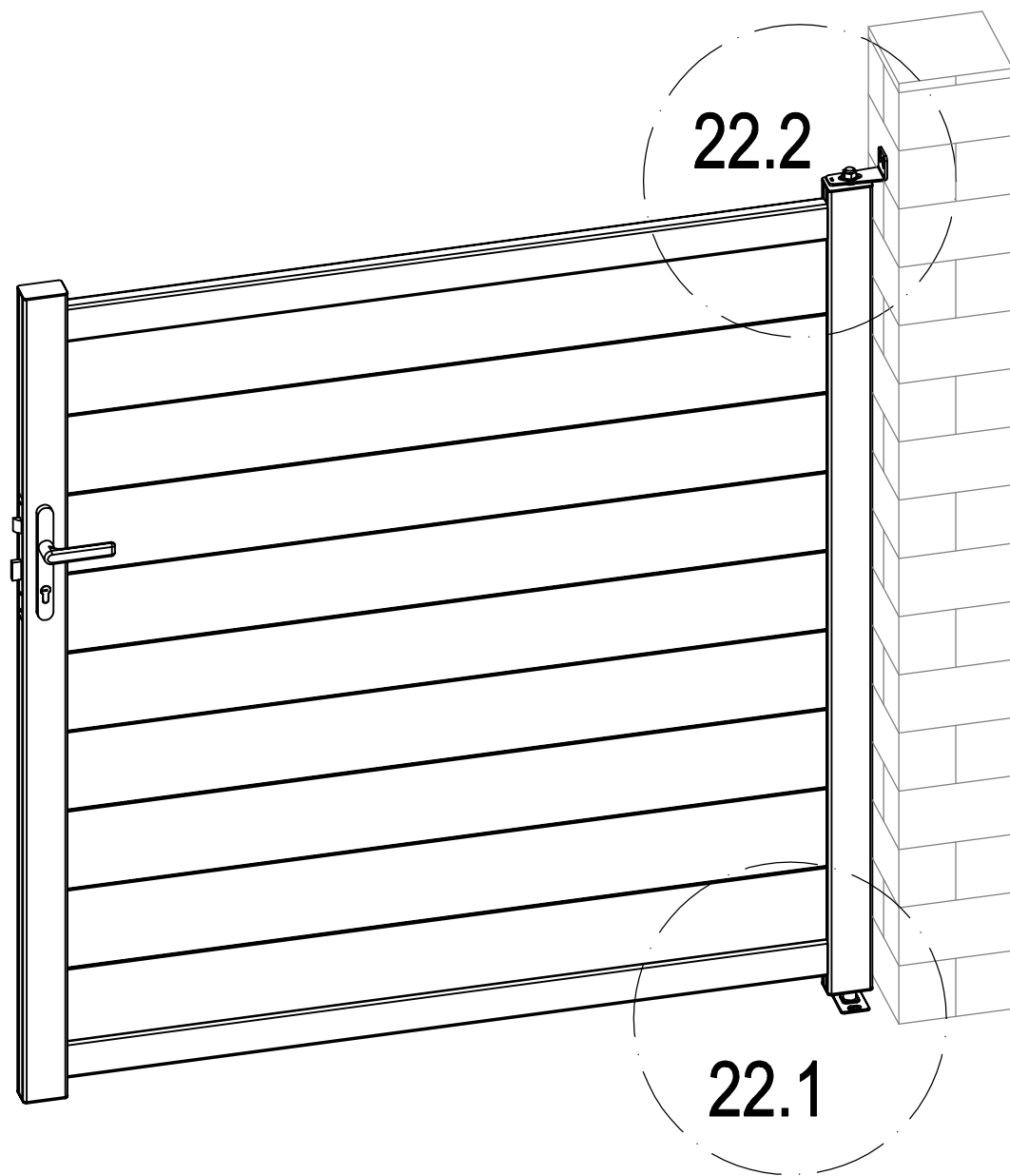
	Dr-18	1
	Dr-19	1
	Dr-25a	2
	Dr-27	2

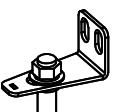



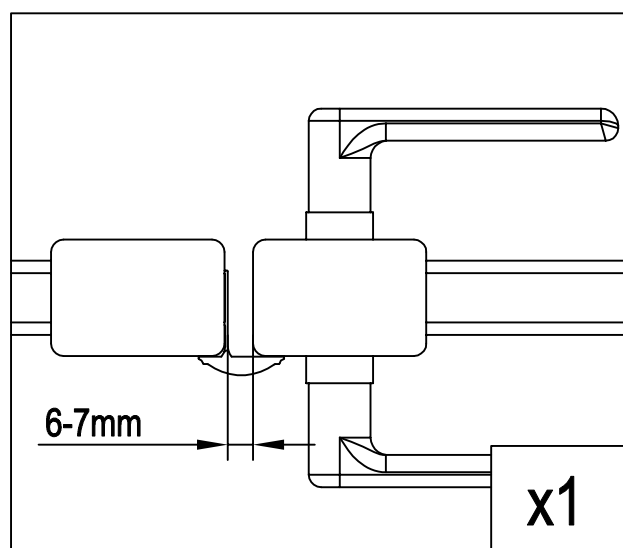
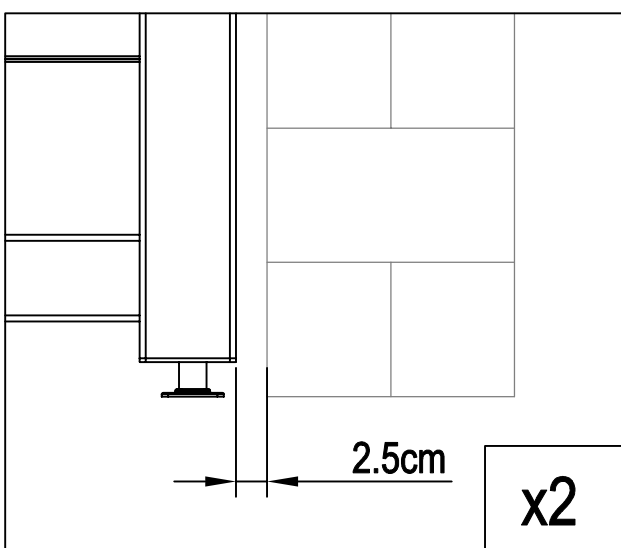
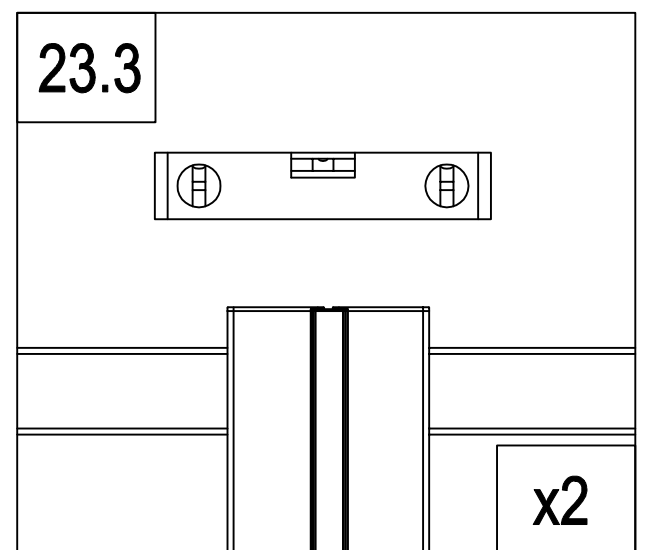
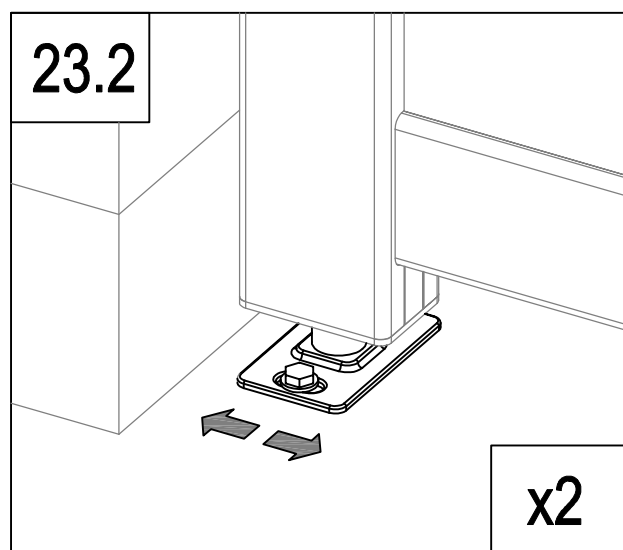
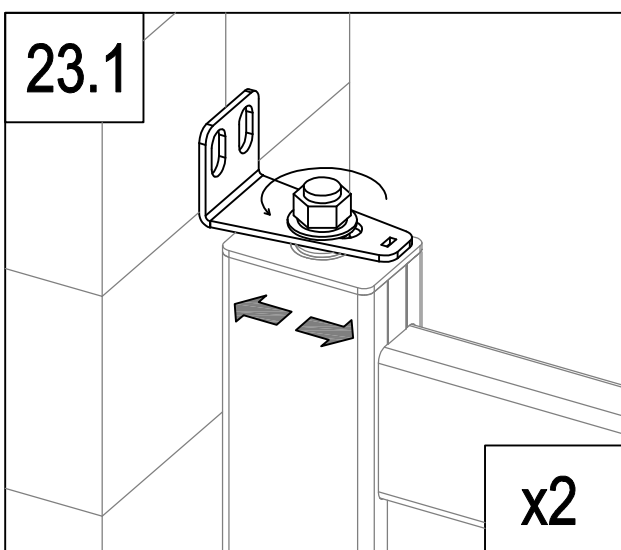
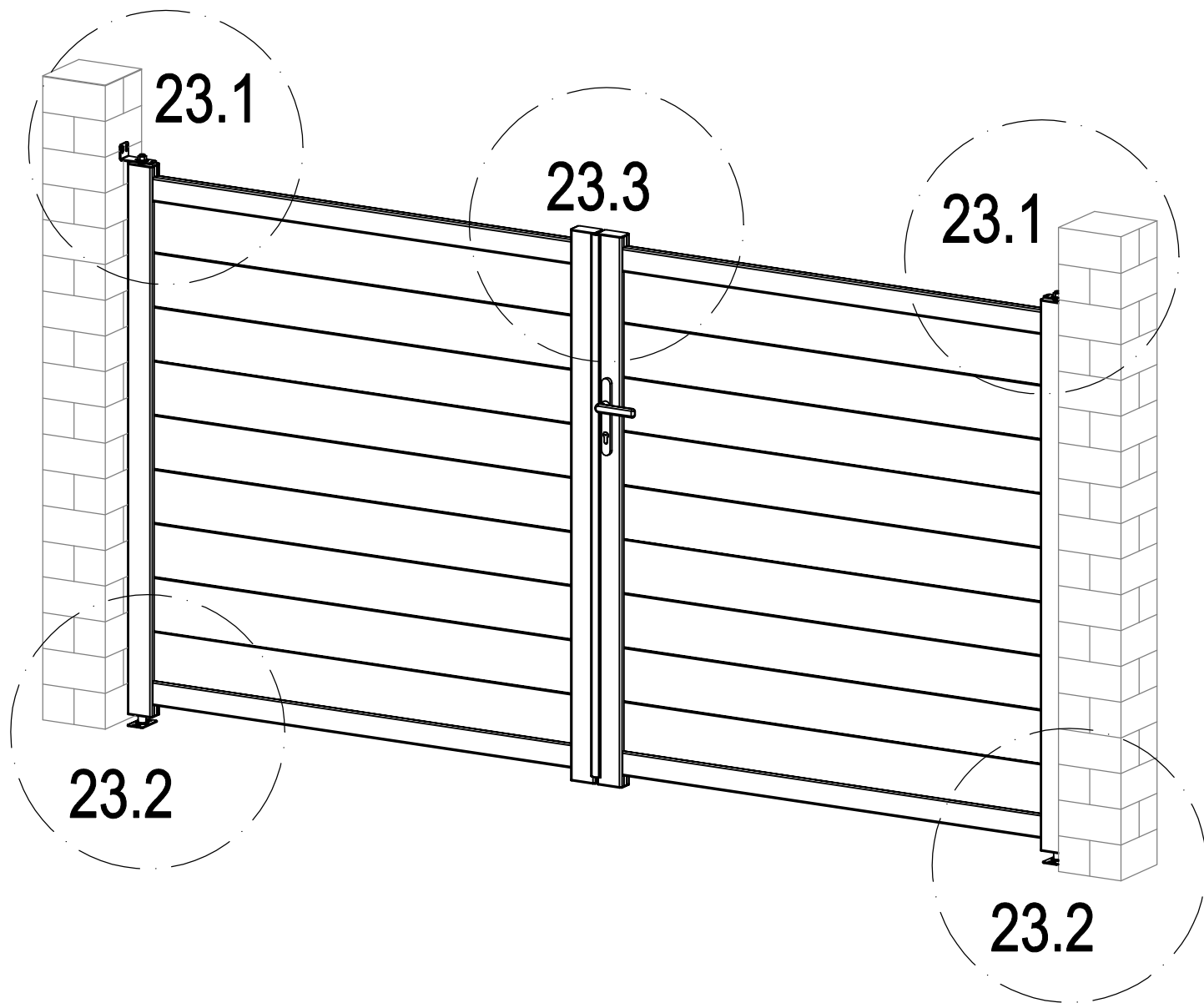
	Dr-12	2
	CK-G32	4

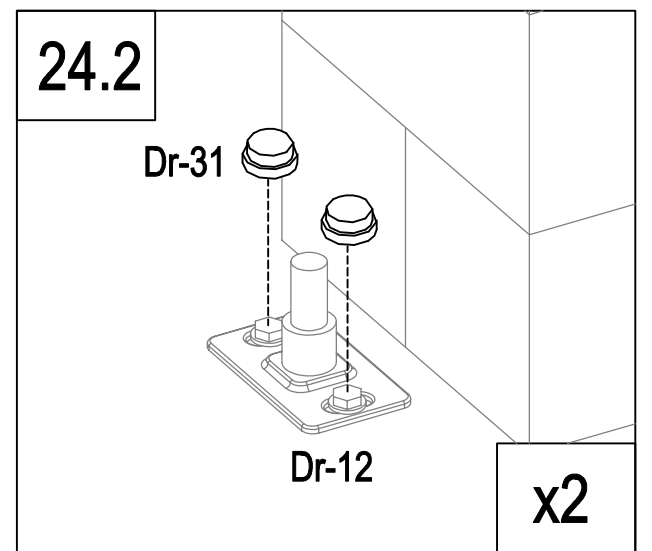
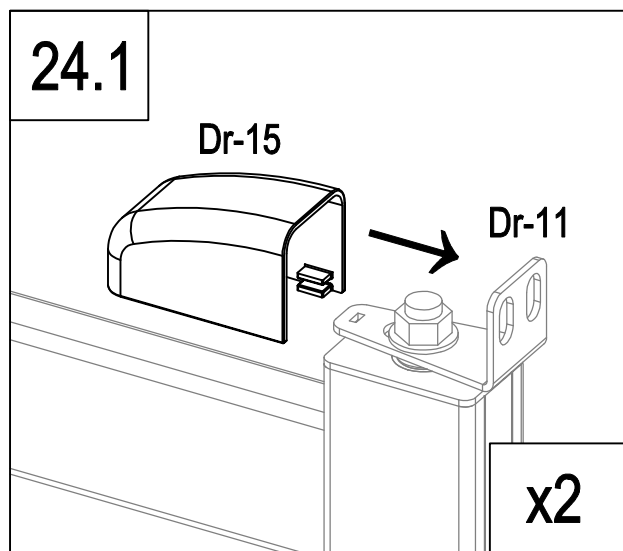
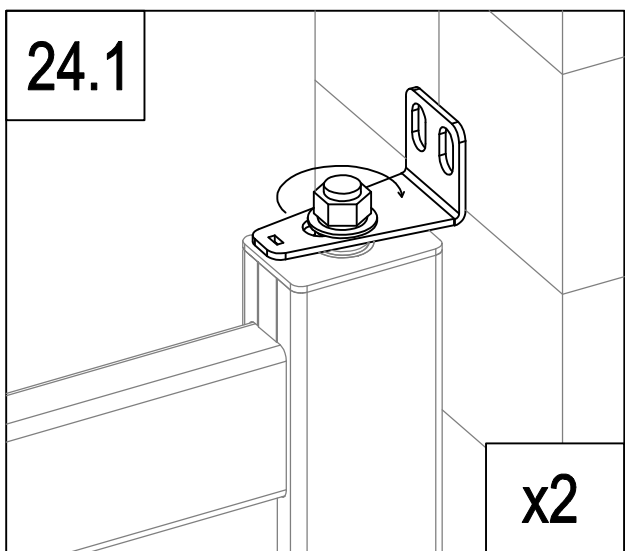
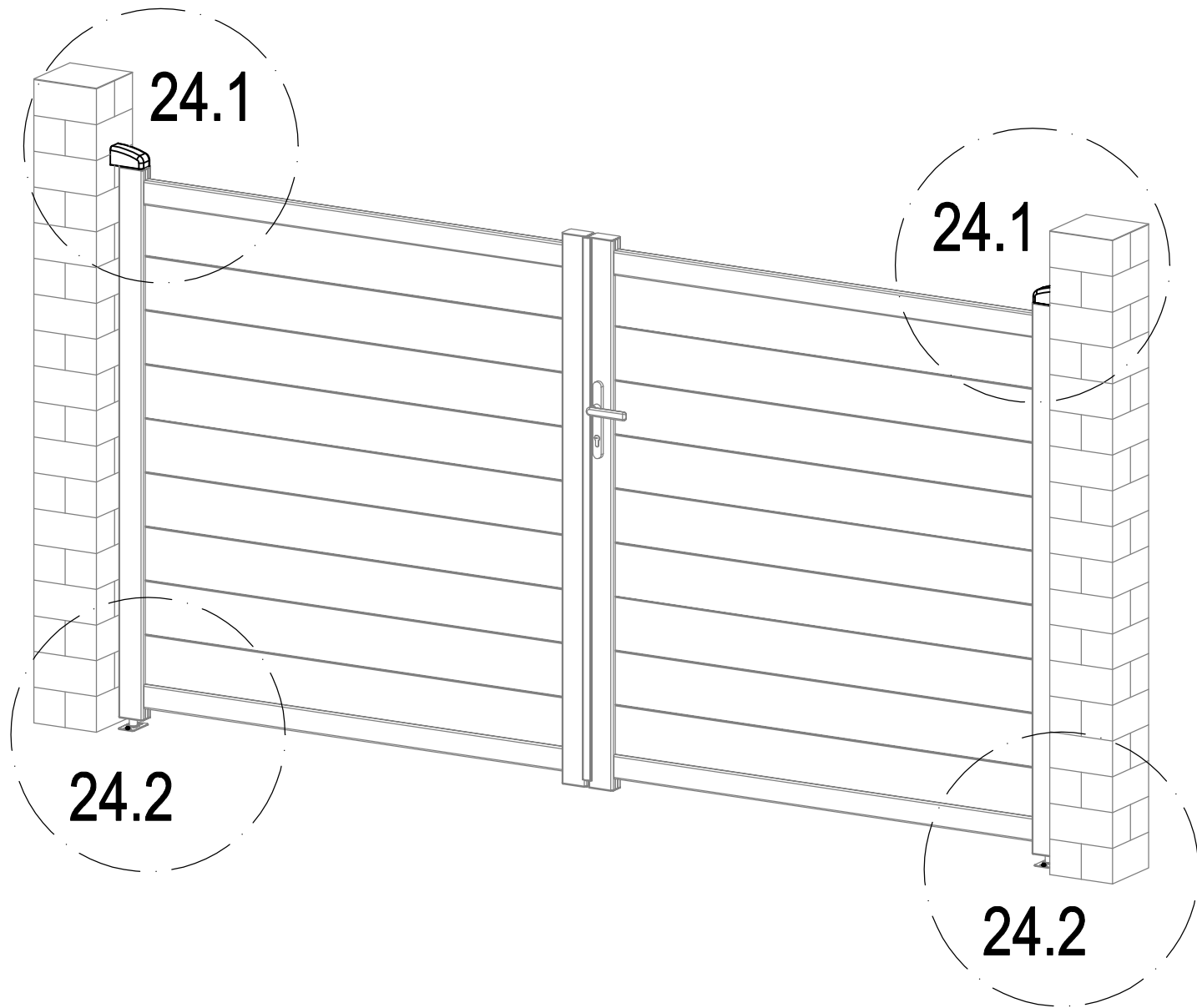


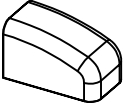

	Dr-11	1
	CK-G32	2

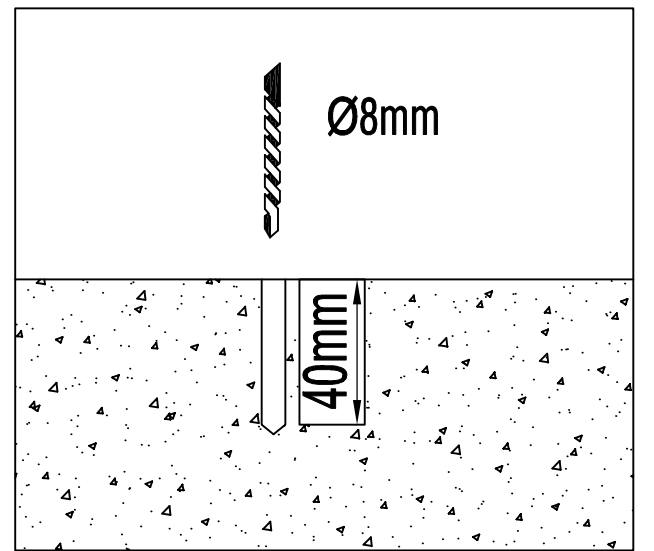
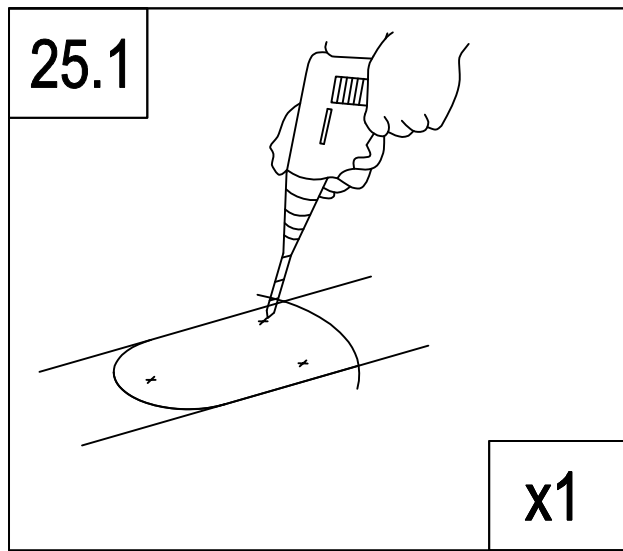
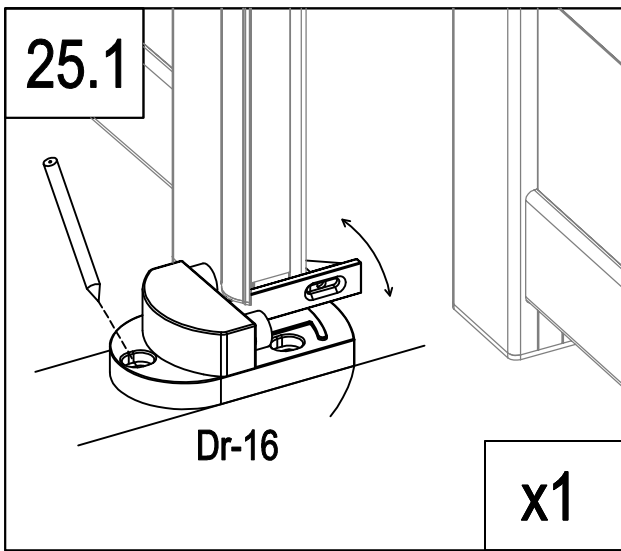
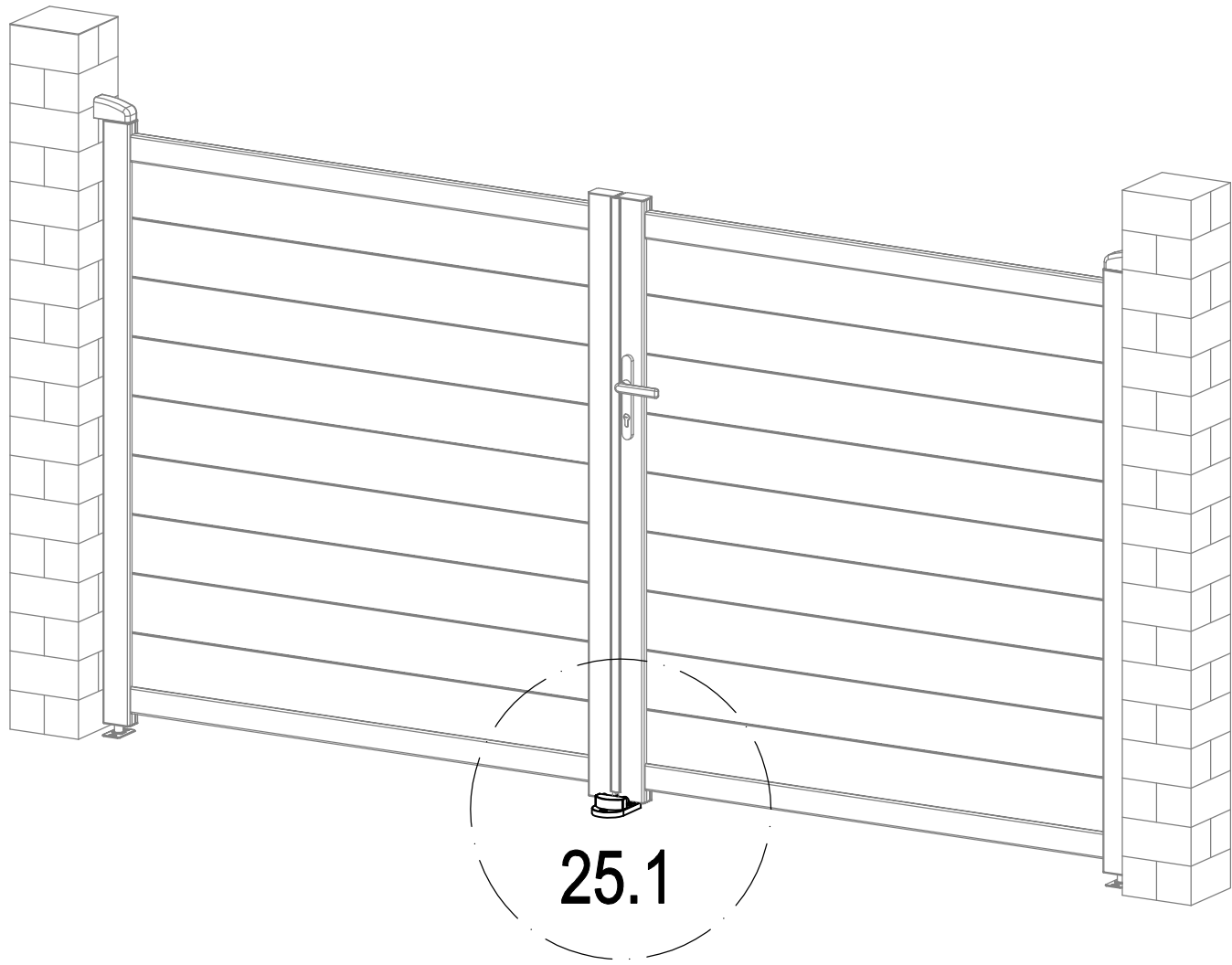


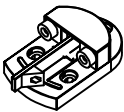


	Dr-11	1
	CK-G32	2

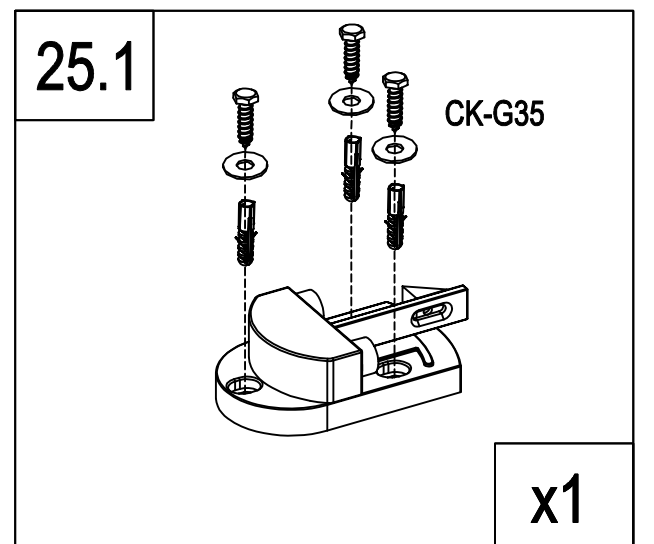


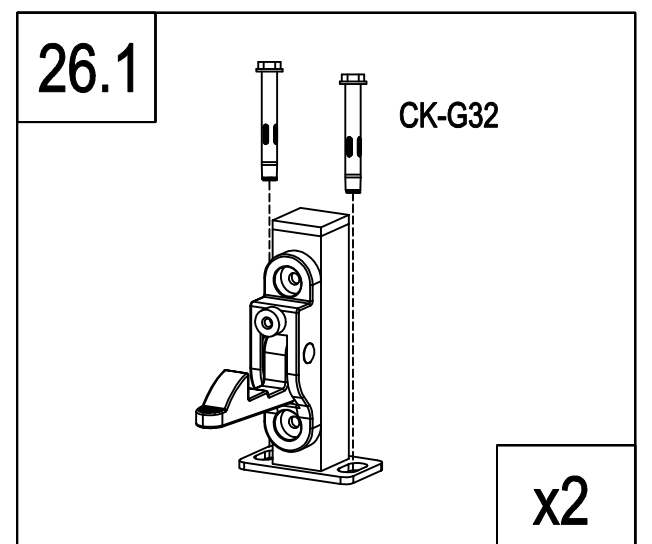
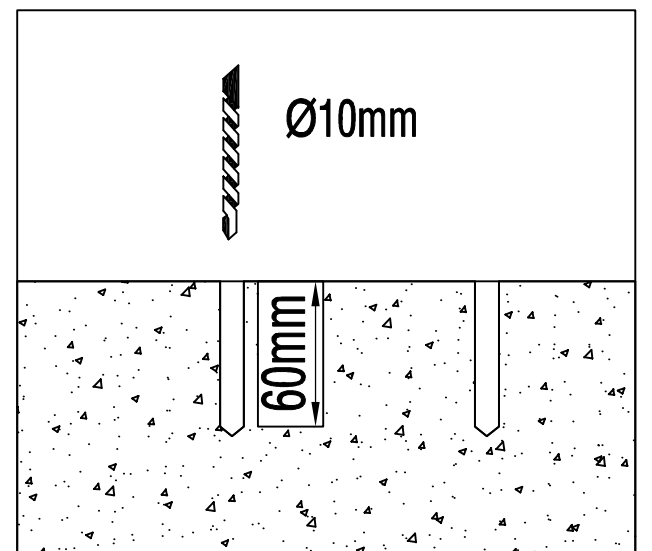
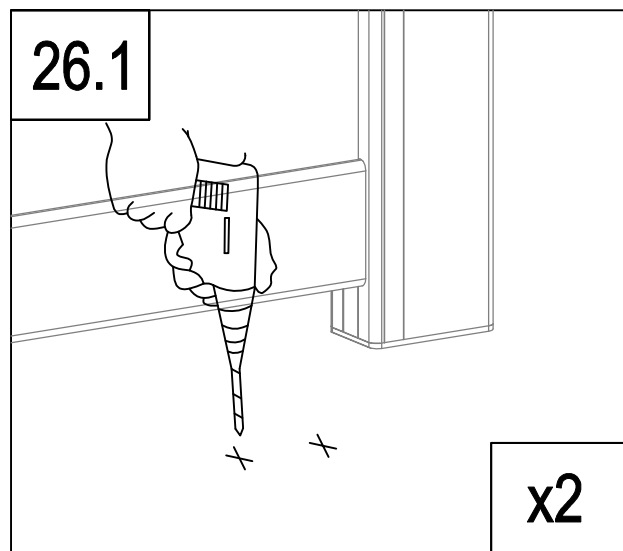
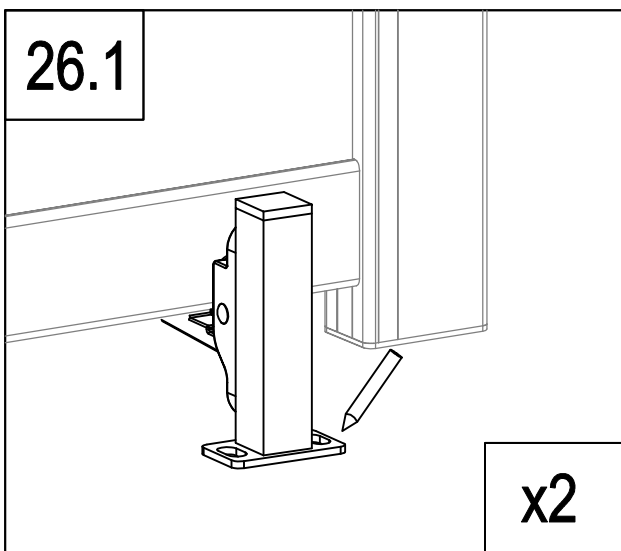
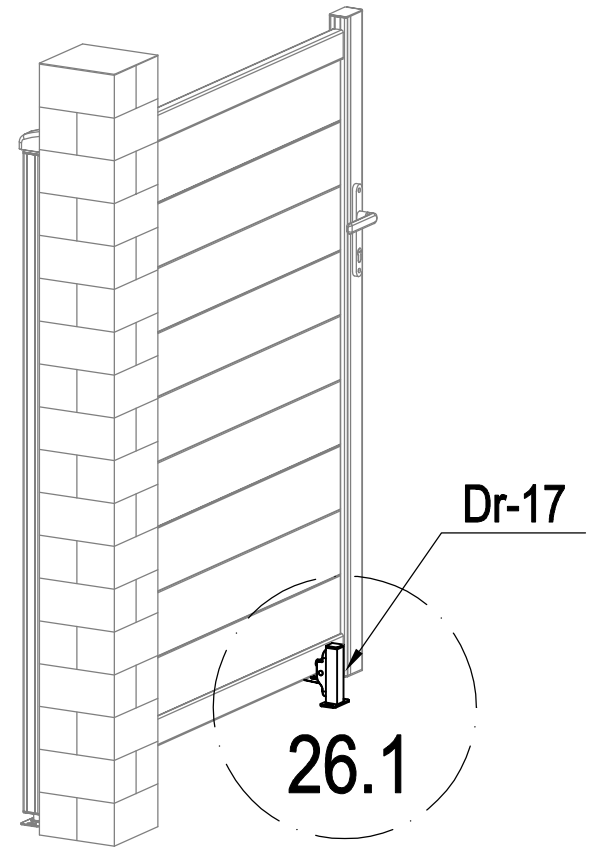
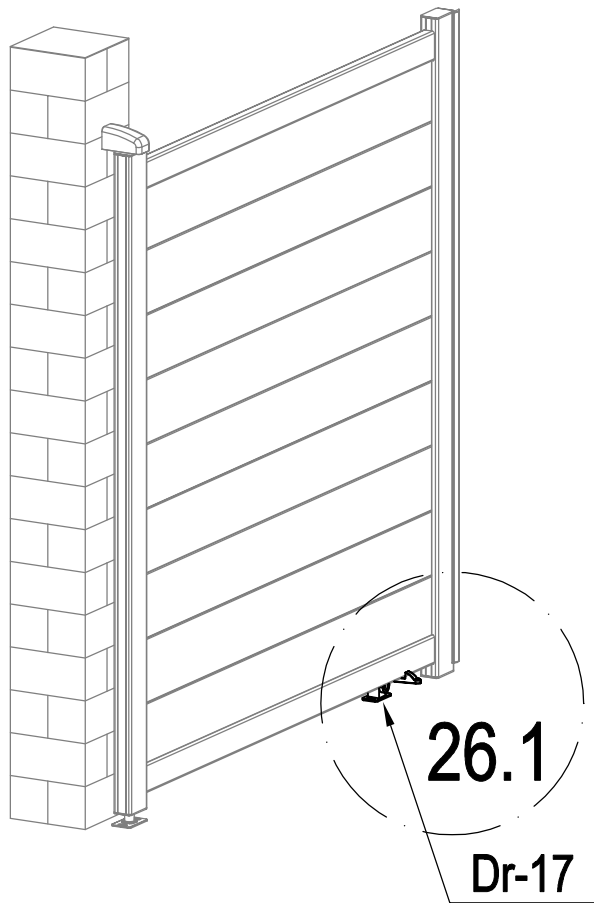



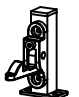
	Dr-15	2
	Dr-31	4



	Dr-16	1
	CK-G34	3
	CK-G35	3





	CK-G32	4
	Dr-17	2