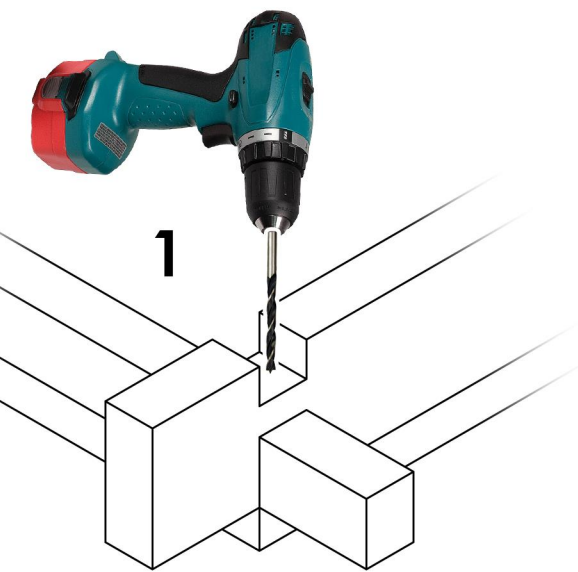
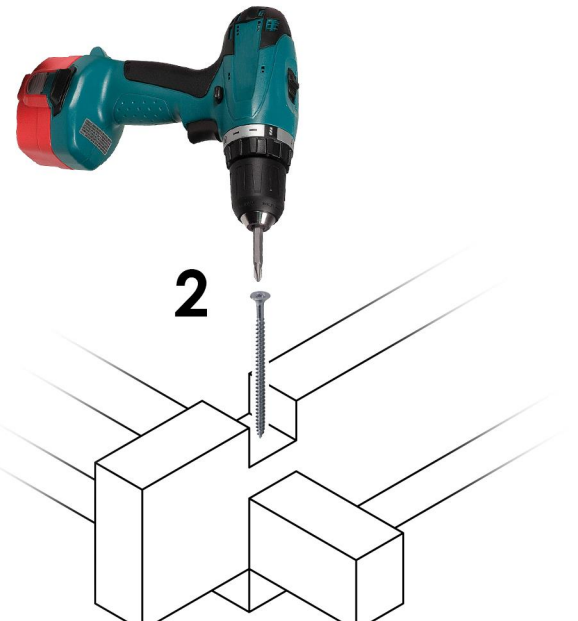


Nyborg, Spessart
Selloso
assembly instructions

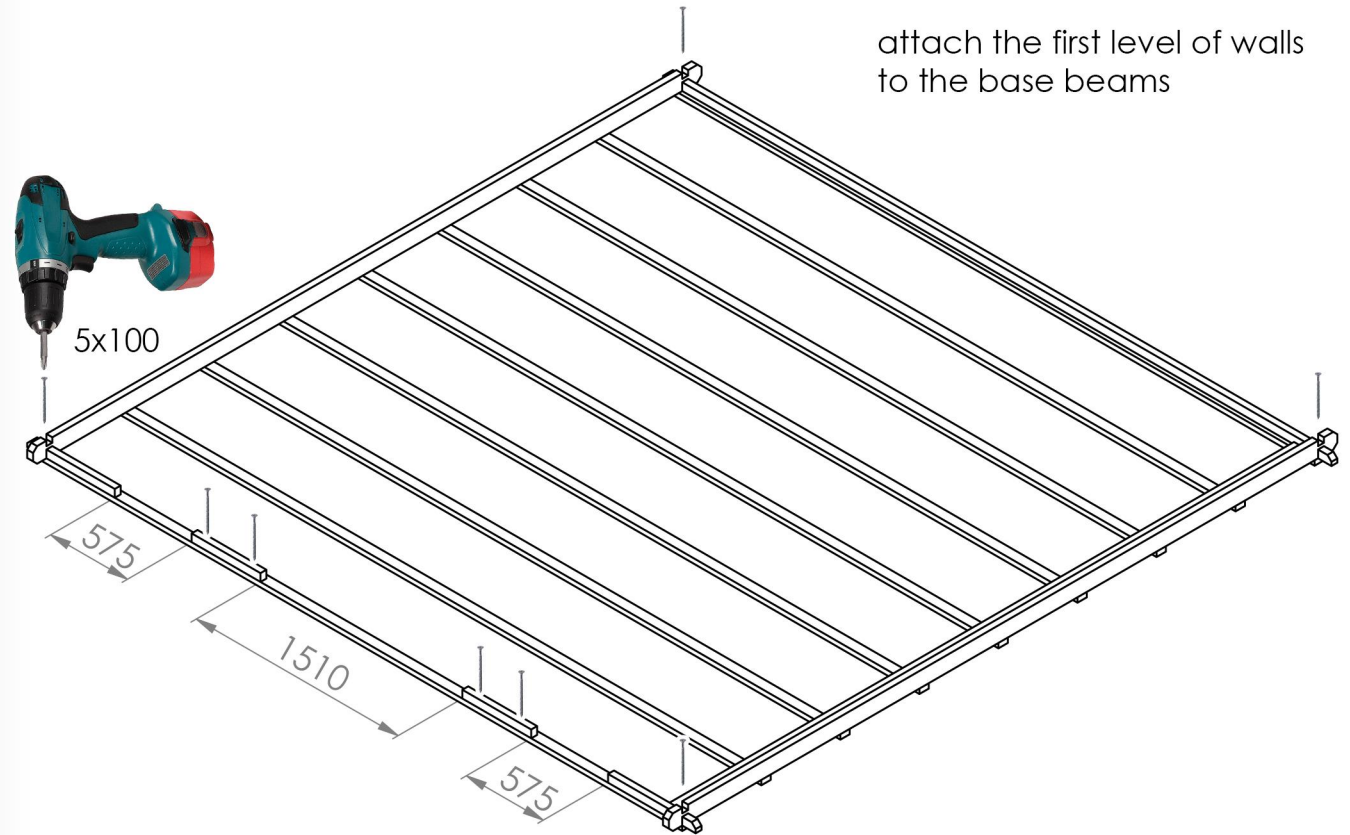


pre-drill holes before
screwing the wall boards
to the pressure treated
base beams

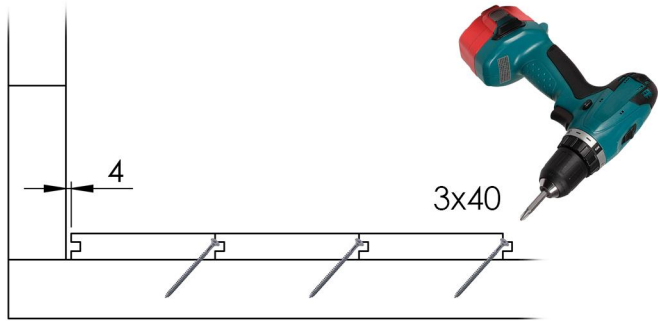


If an problems occurs during the installation of the house, please do not build further. Immediately inform the reseller about the problems with pictures.

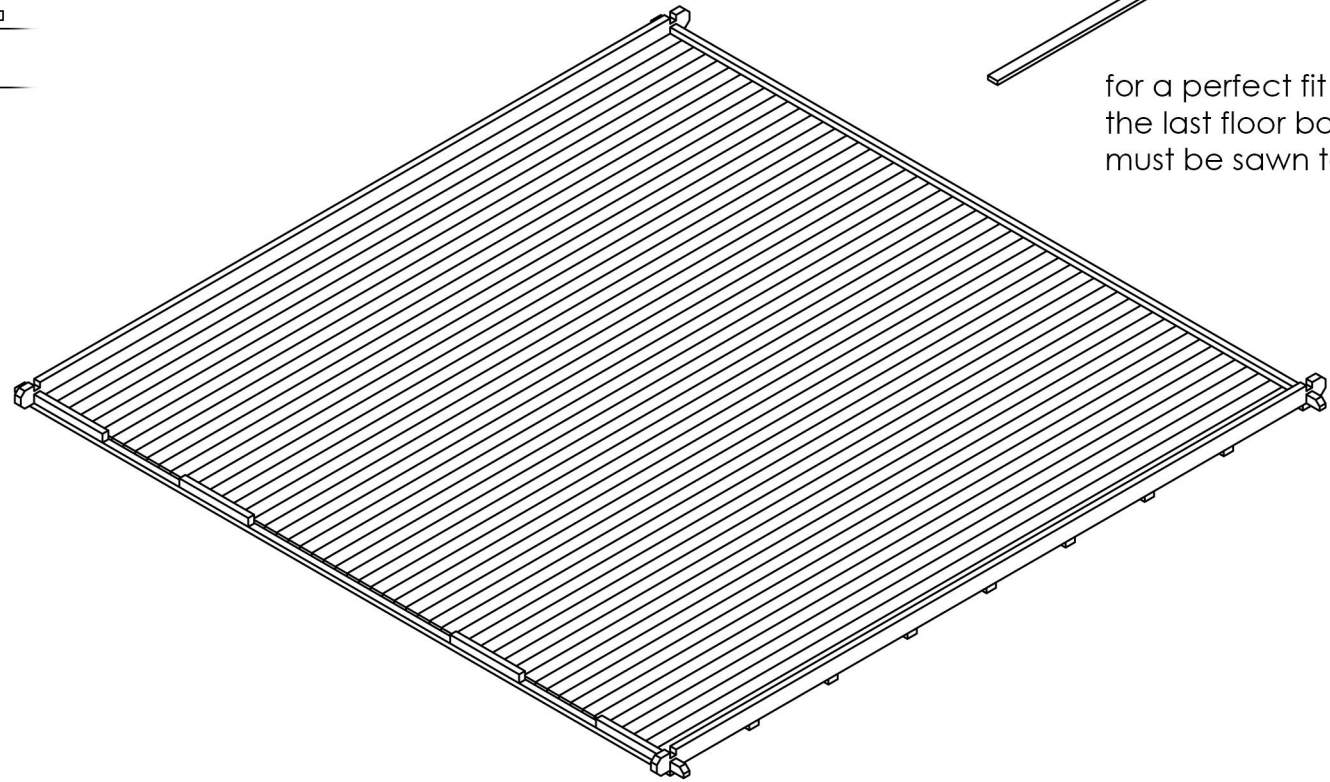
Wenn die Problemen bei der Installation des Hauses aufkommen, Bitte nicht weiter bauen, sondern sofort an den Händler mit den Bilder informieren.



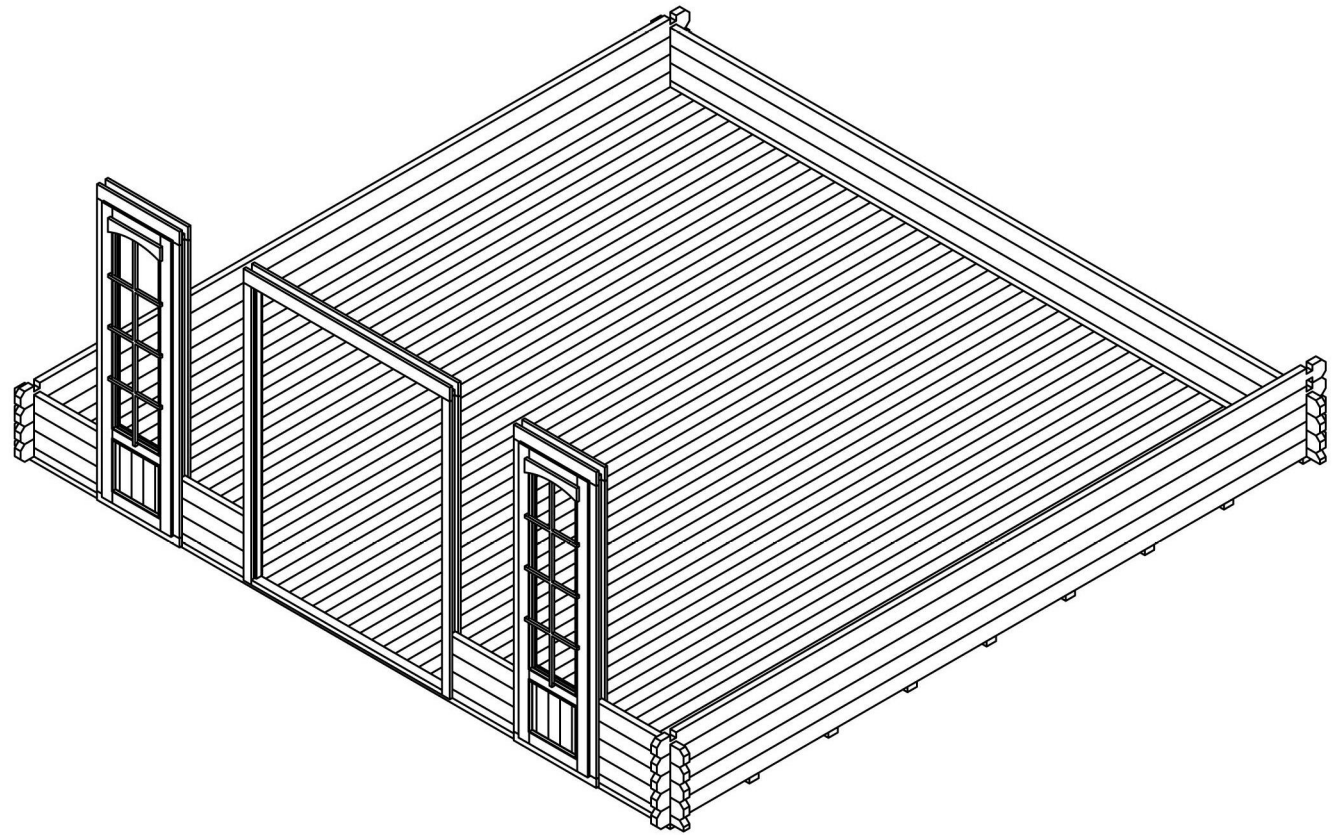
attach the first level of walls
to the base beams



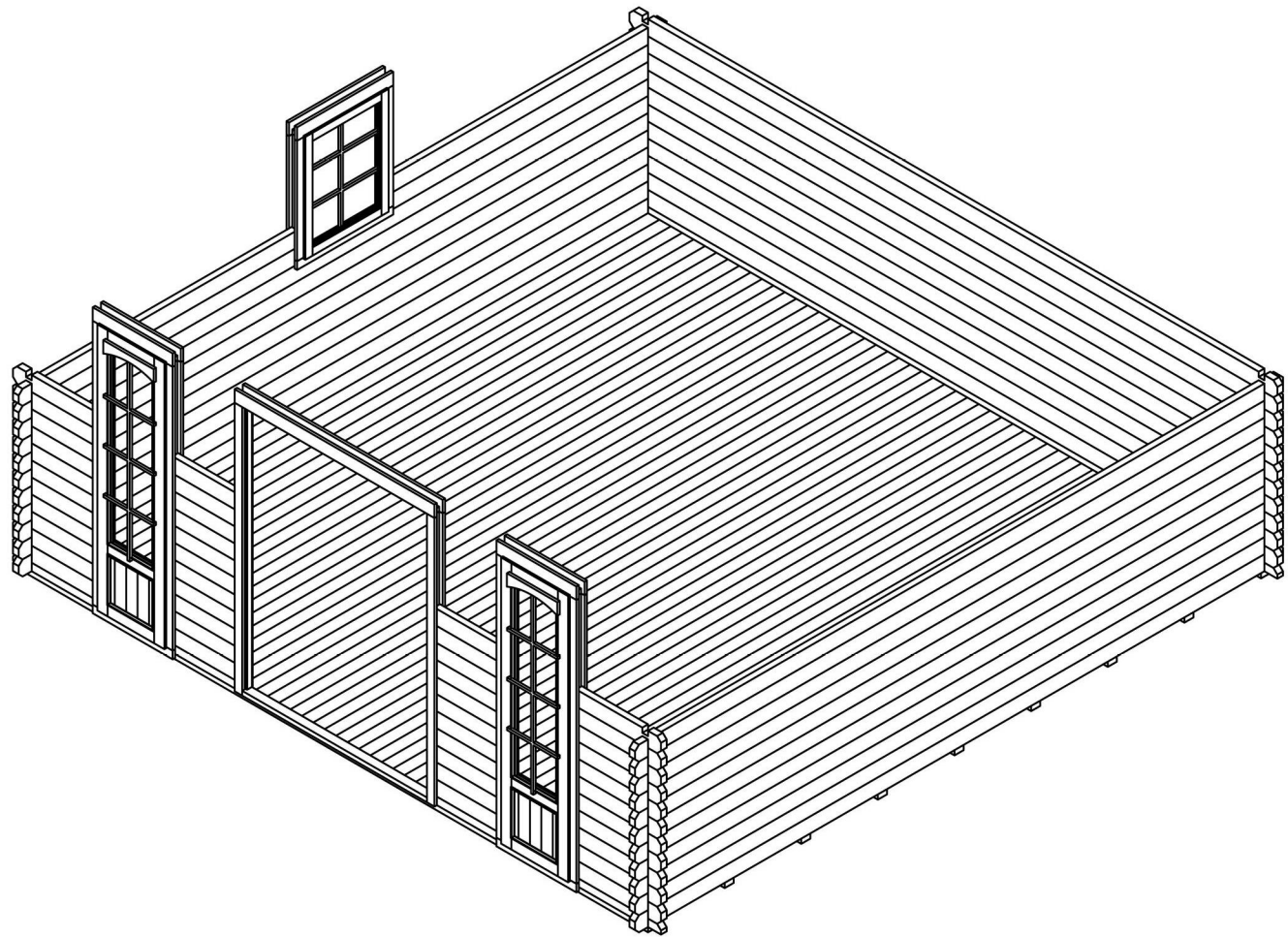
for a perfect fit
the last floor board
must be sawn to width



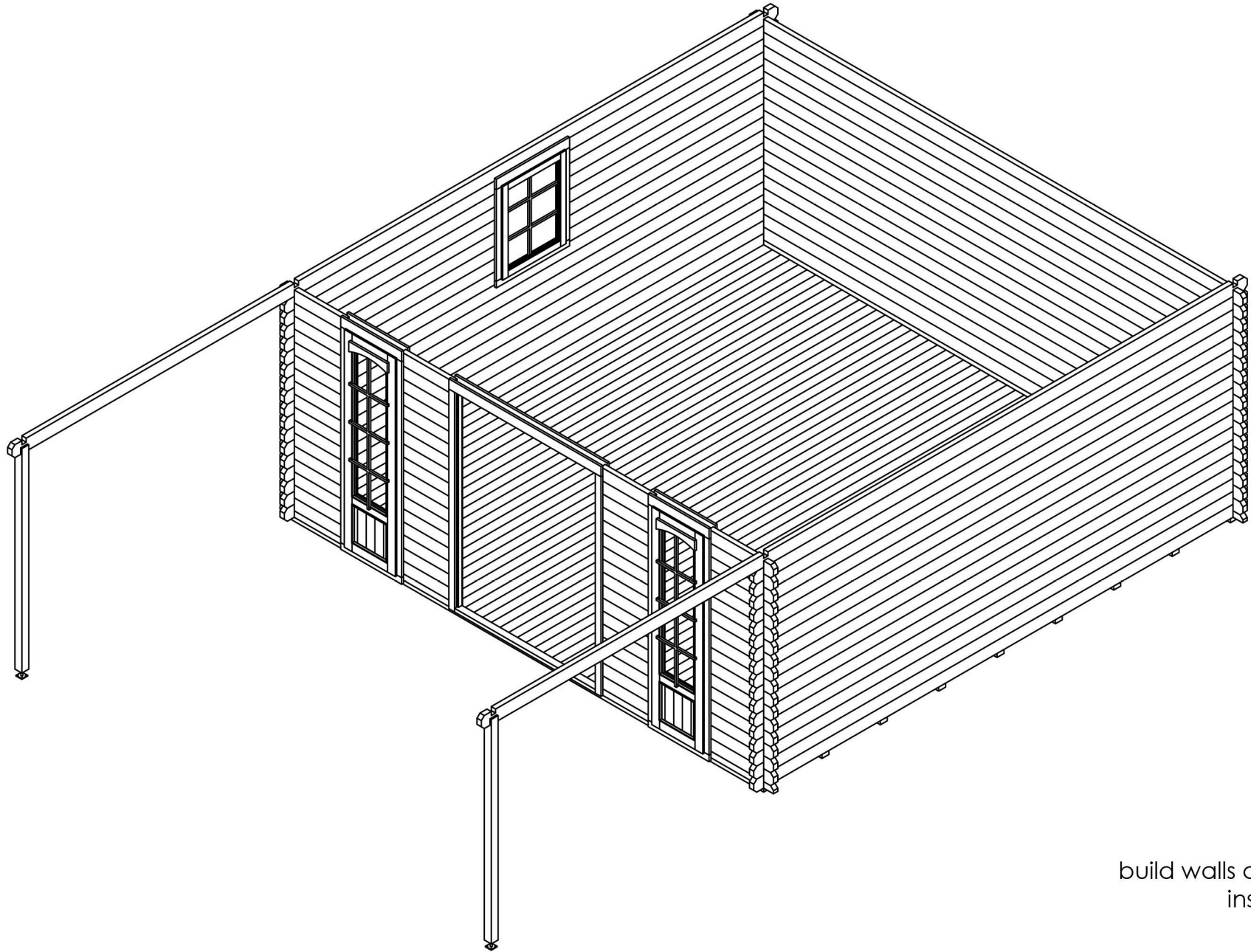
install the floor



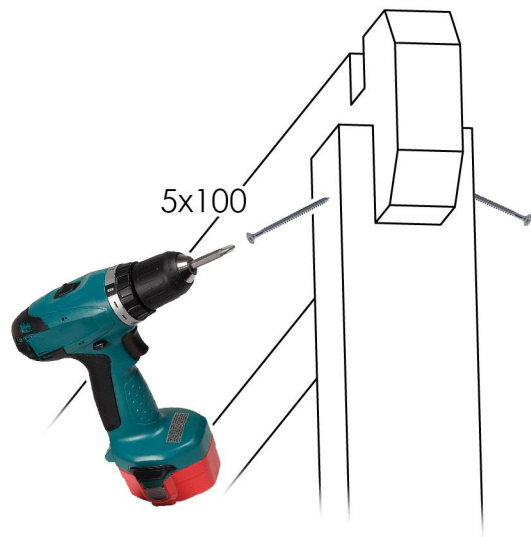
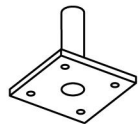
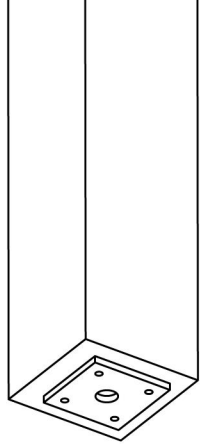
build up a couple levels of the wall,
drop door frame and windows into place



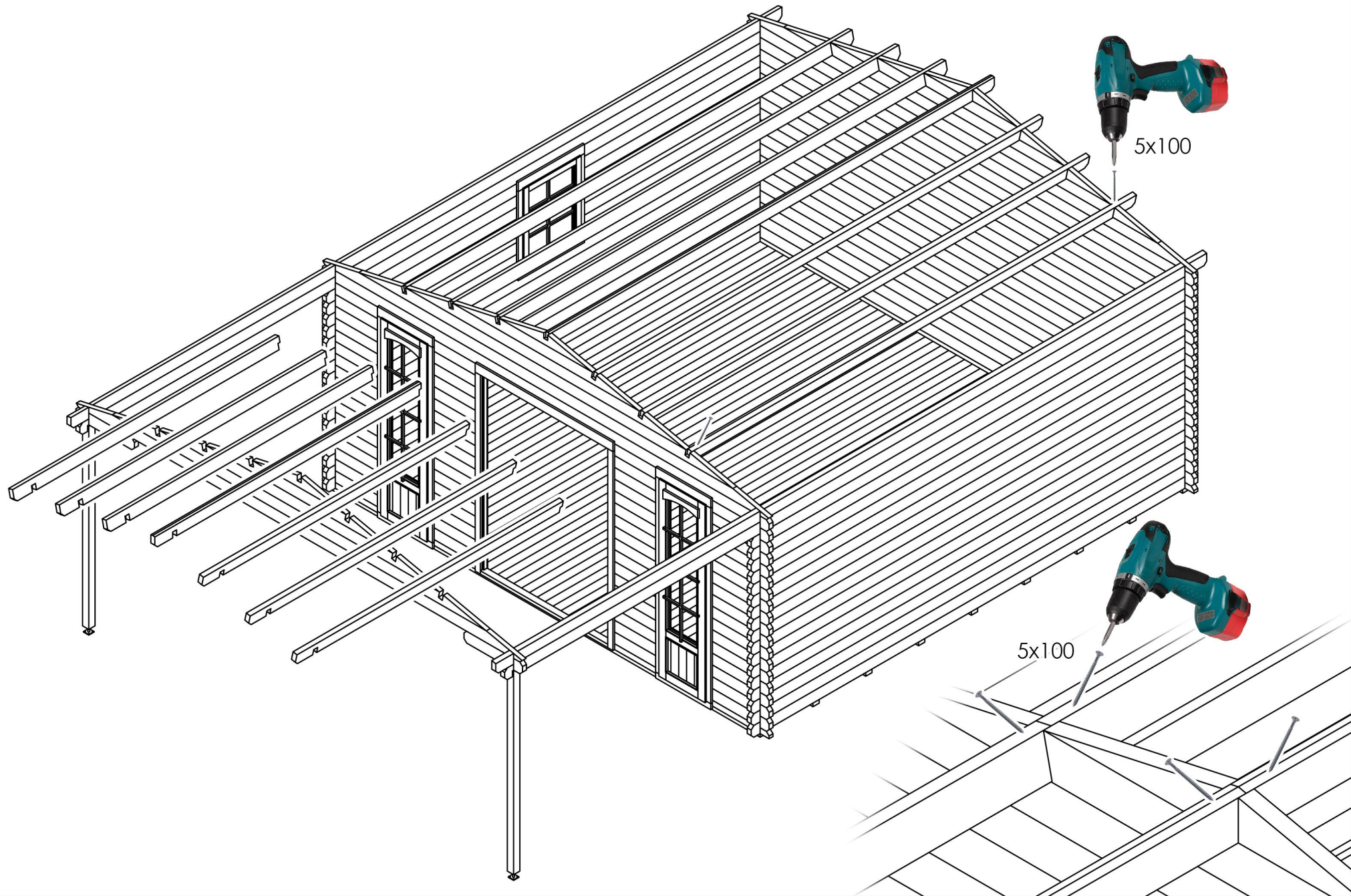
build up the walls as shown,
drop window into place

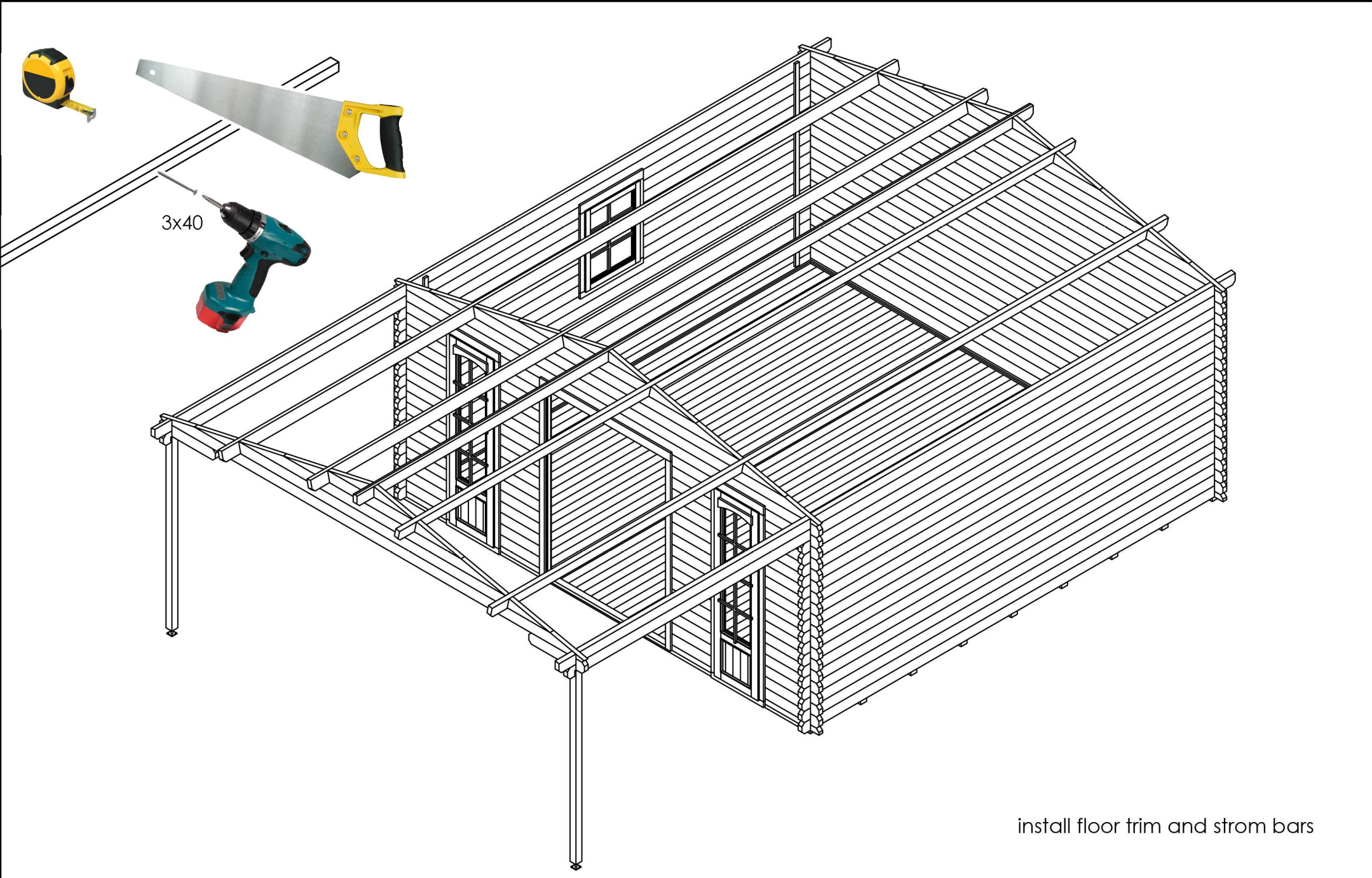


build walls as shown,
install posts



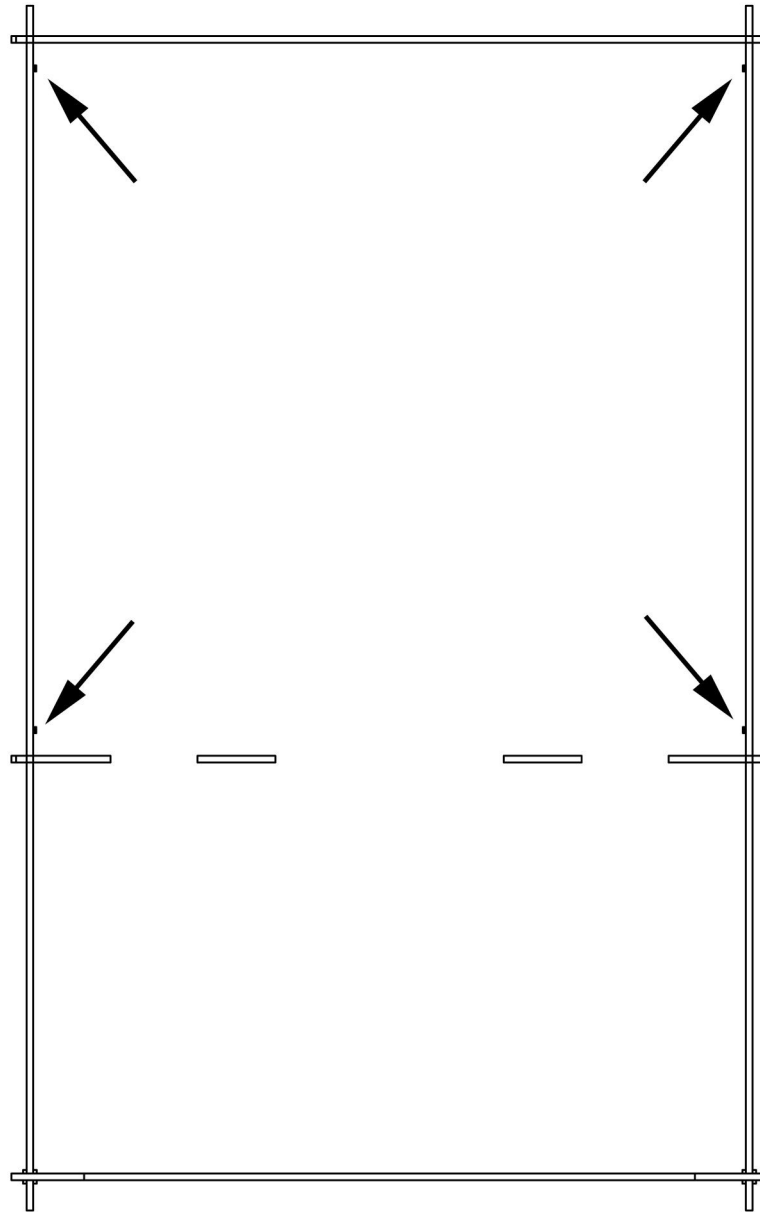
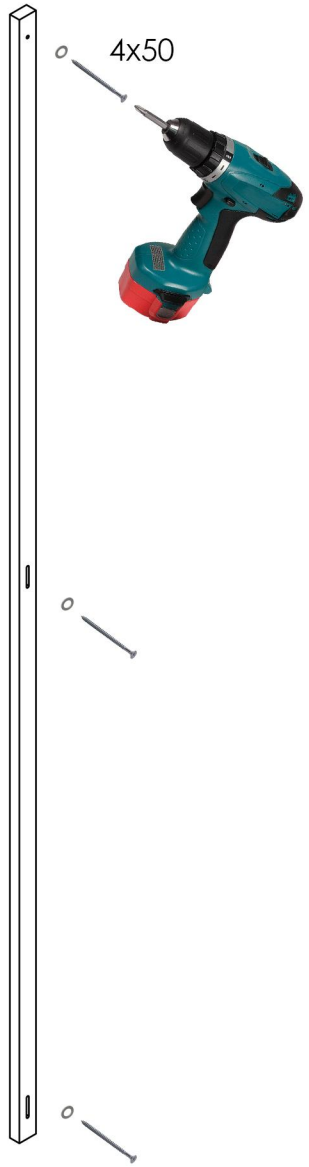
install posts





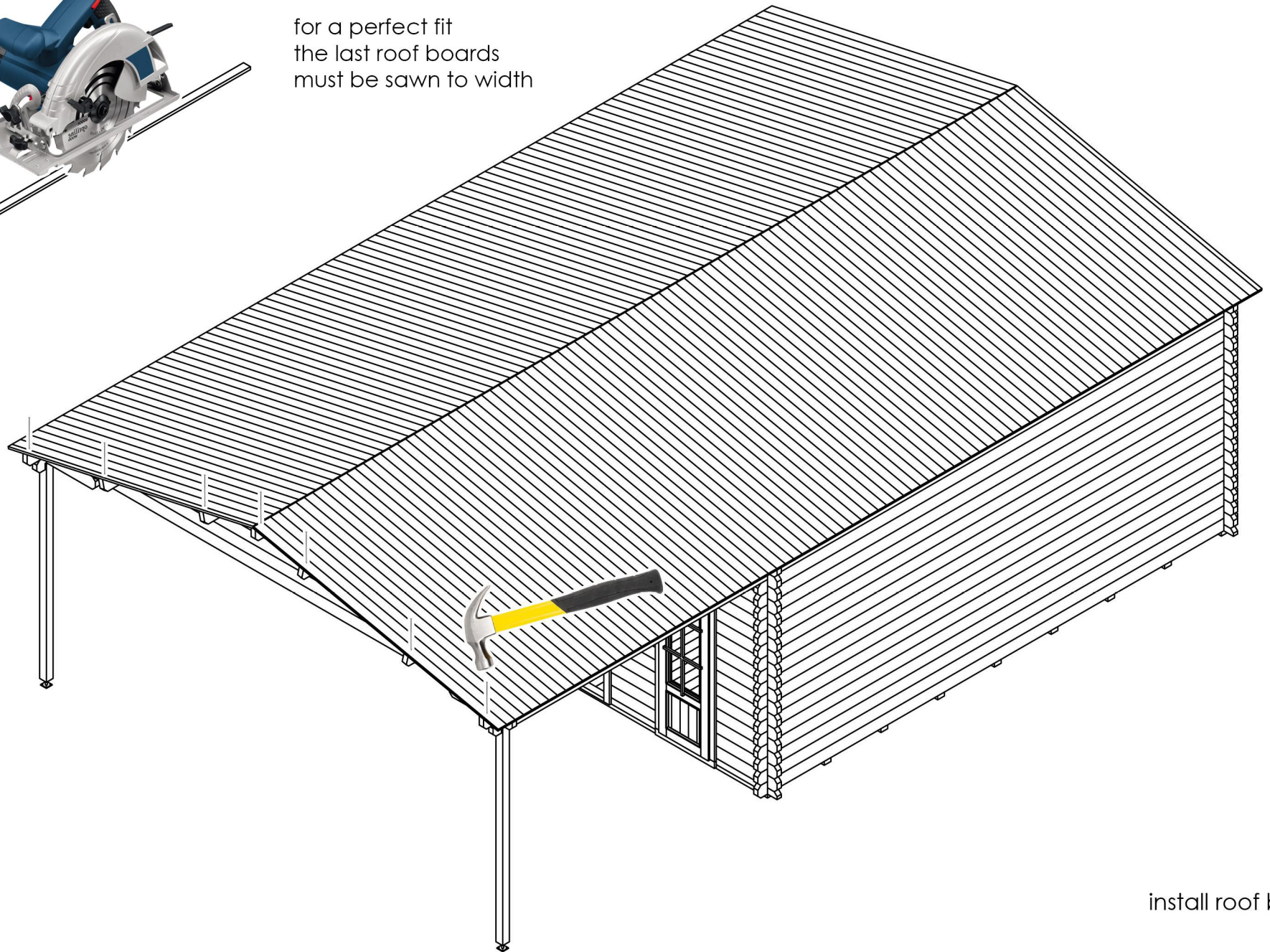
3x40

install floor trim and strom bars

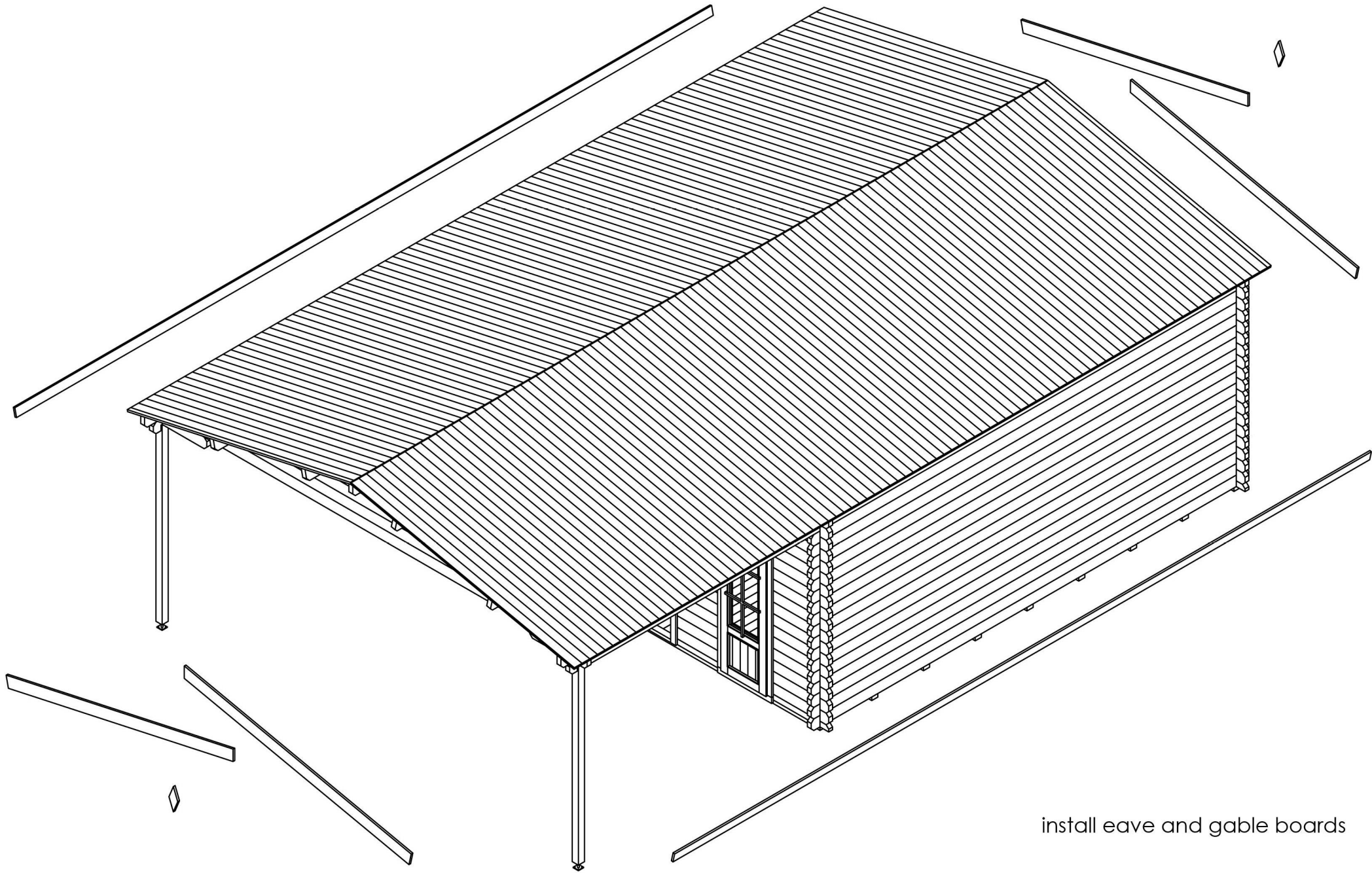


install storm bars

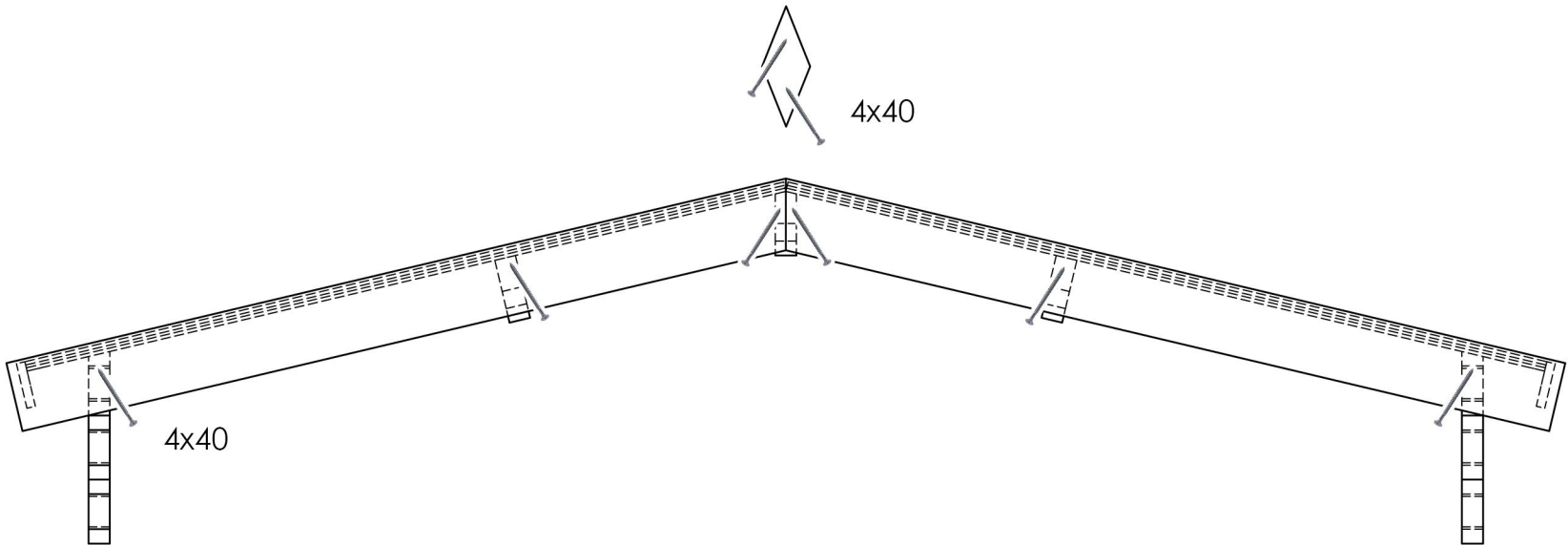
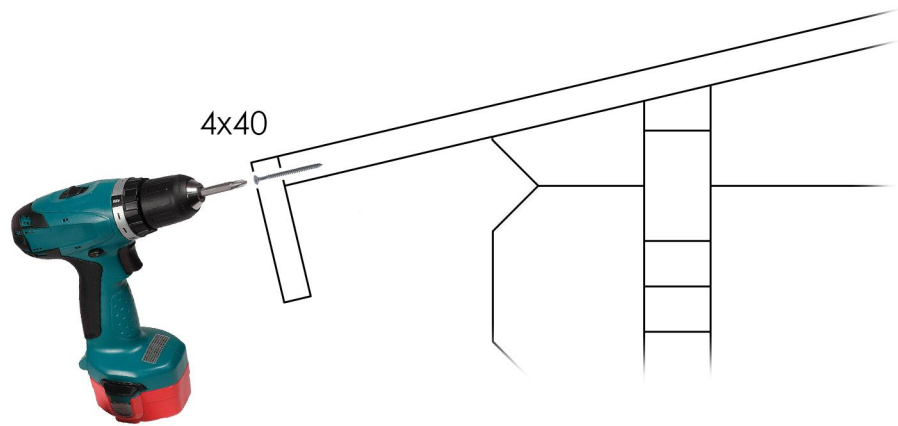
for a perfect fit
the last roof boards
must be sawn to width

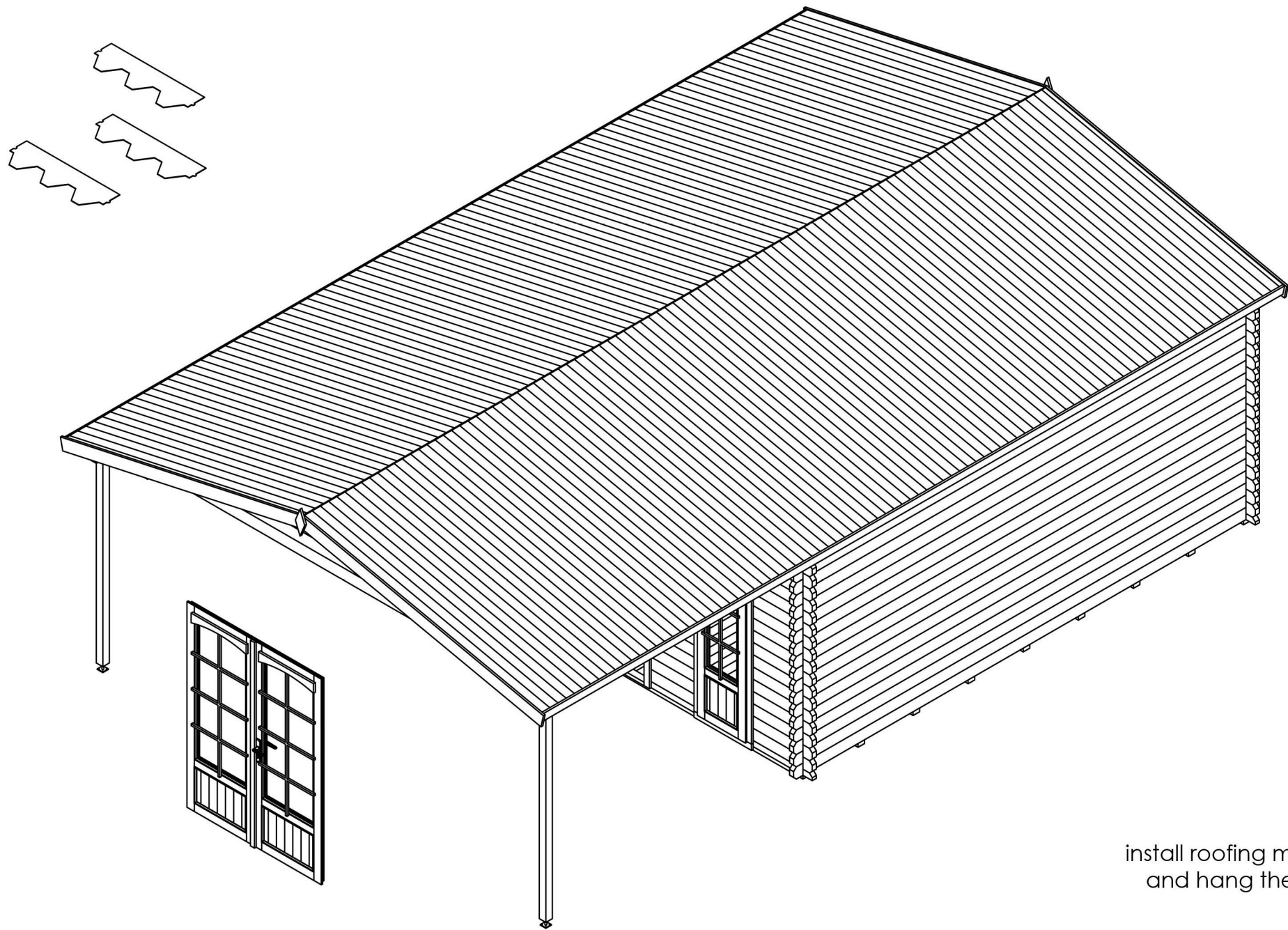


install roof boards



install eave and gable boards





install roofing material
and hang the doors