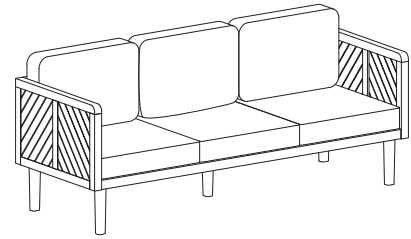
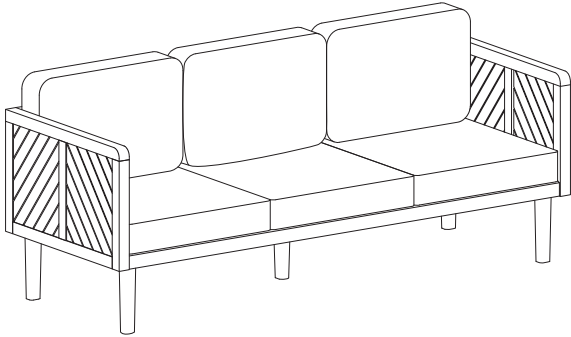


BARATTI



15'

2

1/5

572/BARATTU141024/

A x 2	B x 1	C x 1	D x 4	E M6 x 60 x 4
---------------------	---------------------	---------------------	---------------------	--------------------------------

K x 3

J x 3

A

B

C

D x 2

I

F M8 x 45 x 4	G M6 x 40 x 11	H x 1	I x 1	J x 3	K x 3
--------------------------------	---------------------------------	---------------------	---------------------	---------------------	---------------------

2/5

572/BARATTU141024/

1

A x 2	B x 1	C x 1
---------------------	---------------------	---------------------

X

V

2

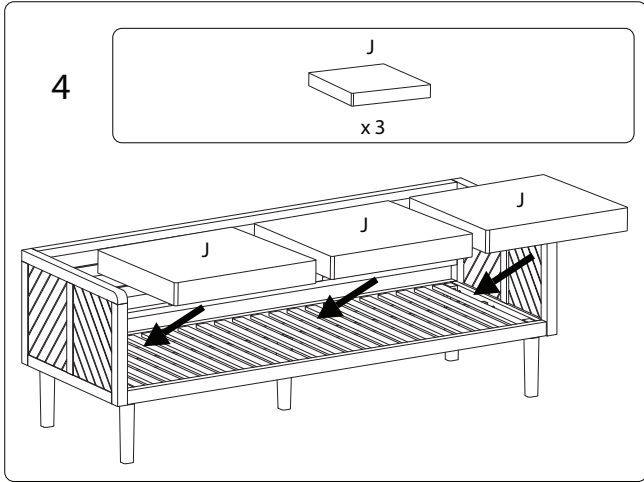
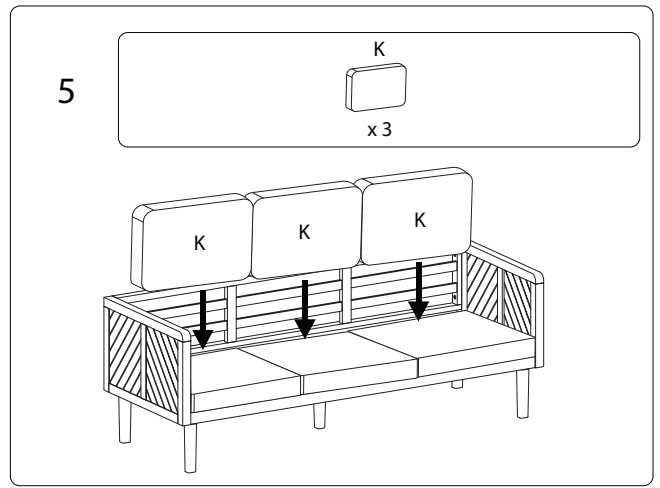
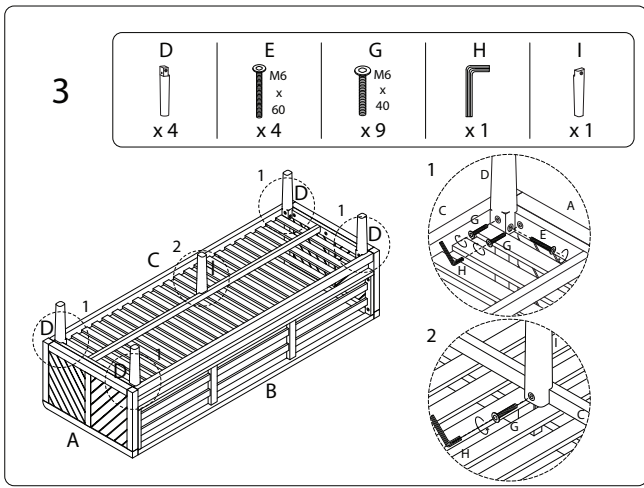
F M8 x 45 x 4	G M6 x 40 x 2	H x 1
--------------------------------	--------------------------------	---------------------

1

2

3/5

572/BARATTU141024/



4/5

572/BARATTU141024/

5/5

572/BARATTU141024/