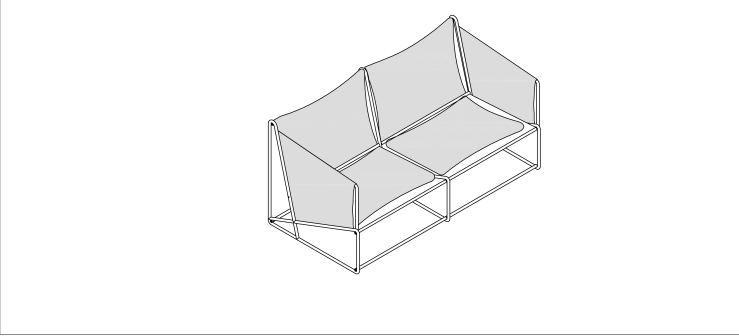
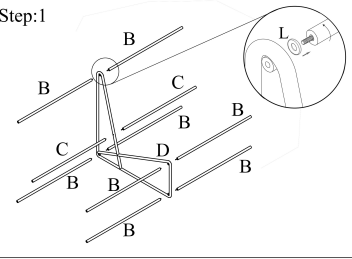


### Assembly Instructions

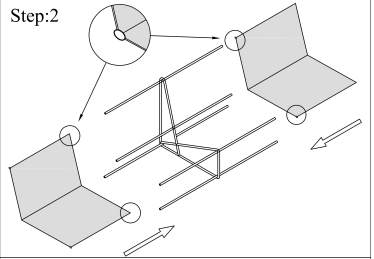
A	2PCS	B	8PCS	C	2PCS	D	1PC	E	2PCS	F	8PCS	G	2PCS
H	1PC	I	2PCS	J	4PCS	K	2PCS	L	16PCS				



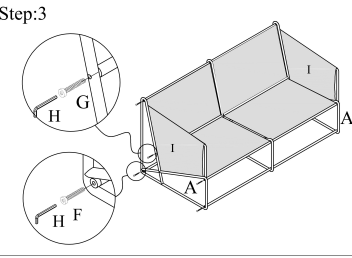
Step:1



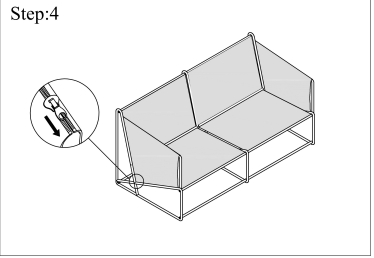
Step:2



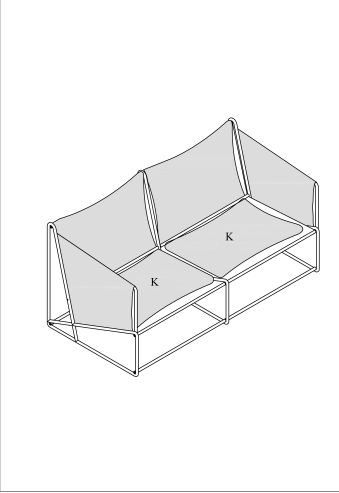
Step:3



Step:4



Step:5



Step:6

