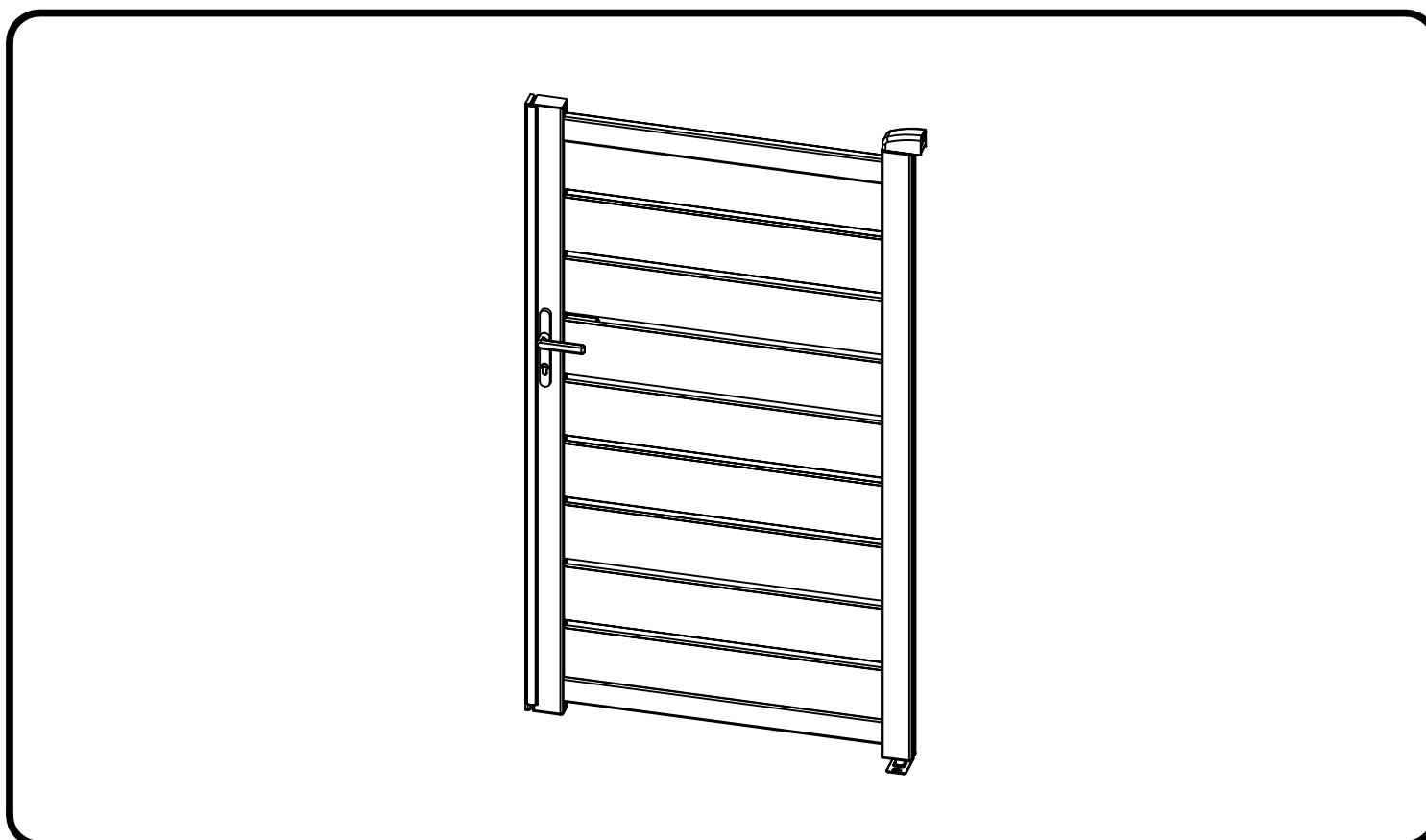


CASANOV

VOGEL 100P180



3-5H



x2

STI-000003

[x1]

FR

EN

ES

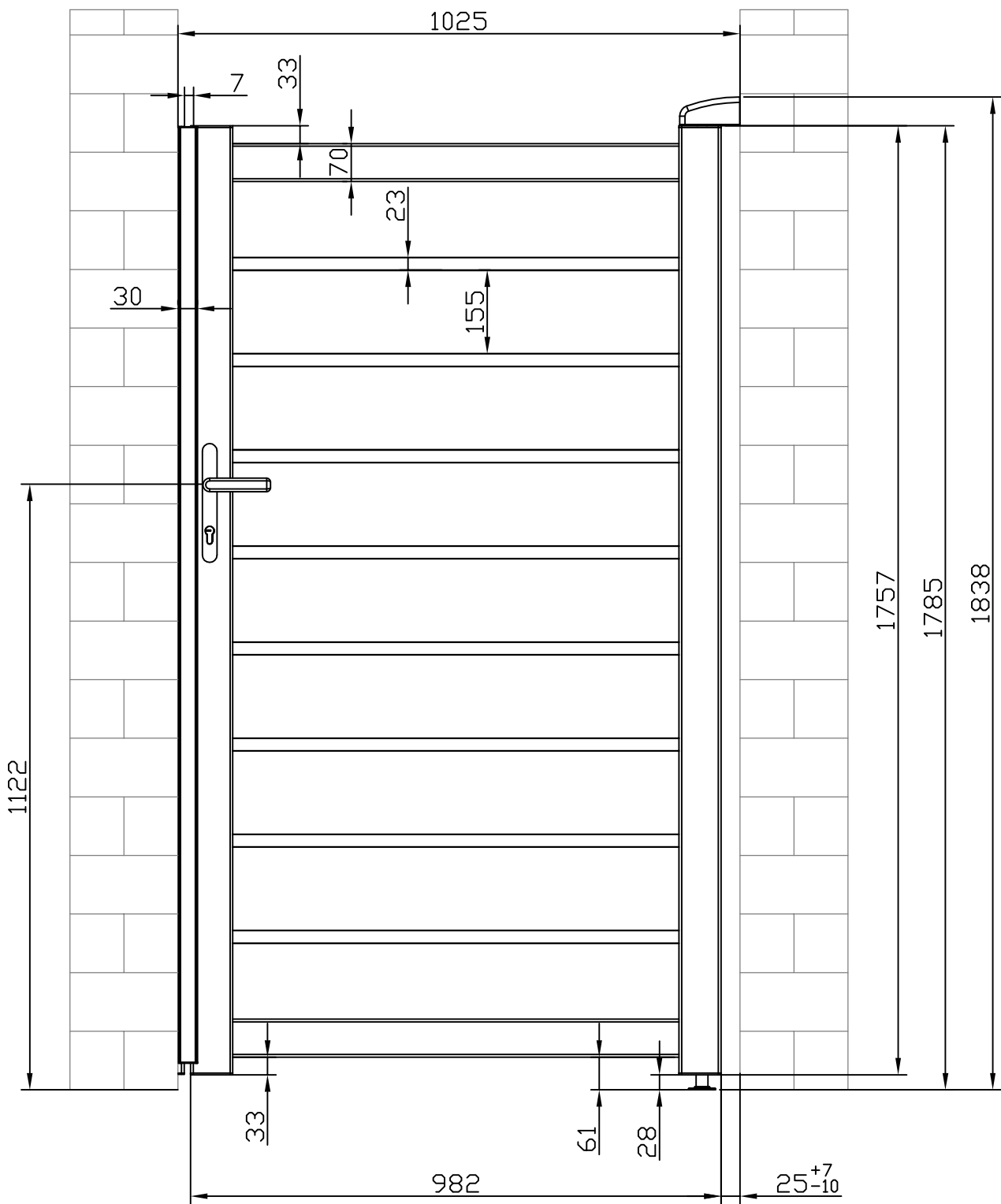
DE

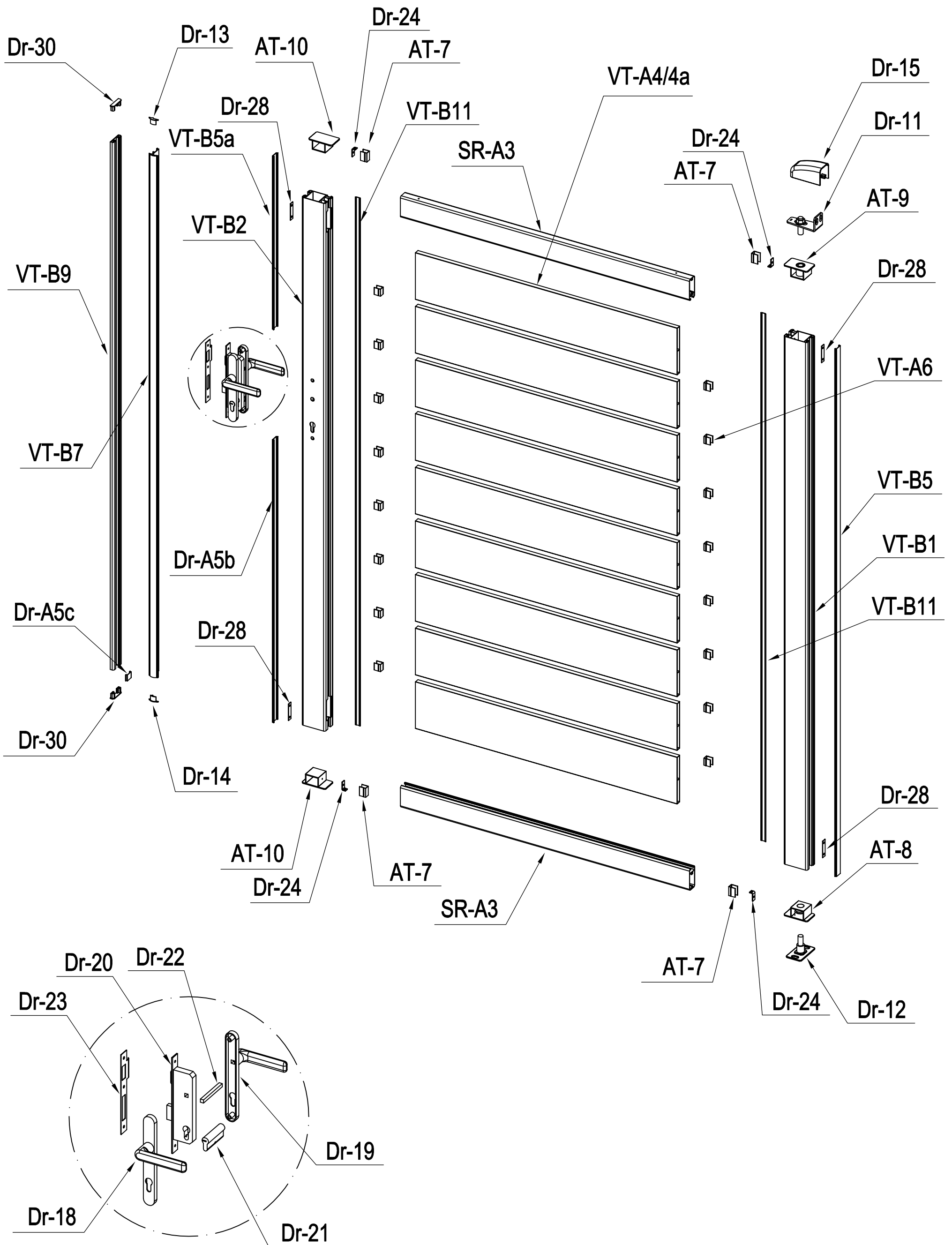
IT

NL

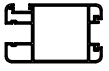
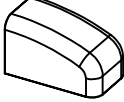

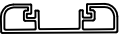

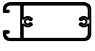

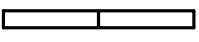
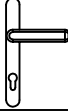

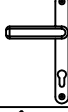
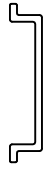




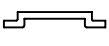






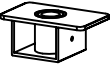

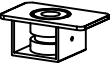

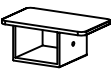










PL

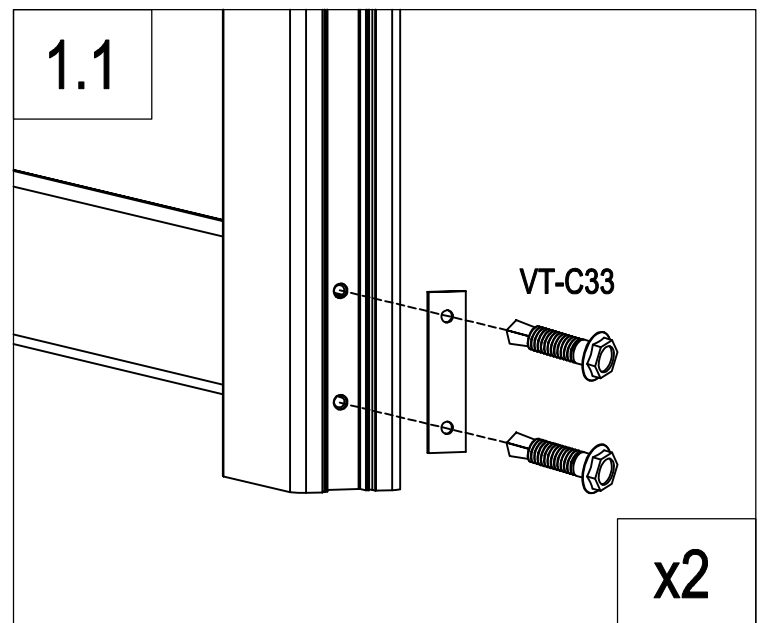
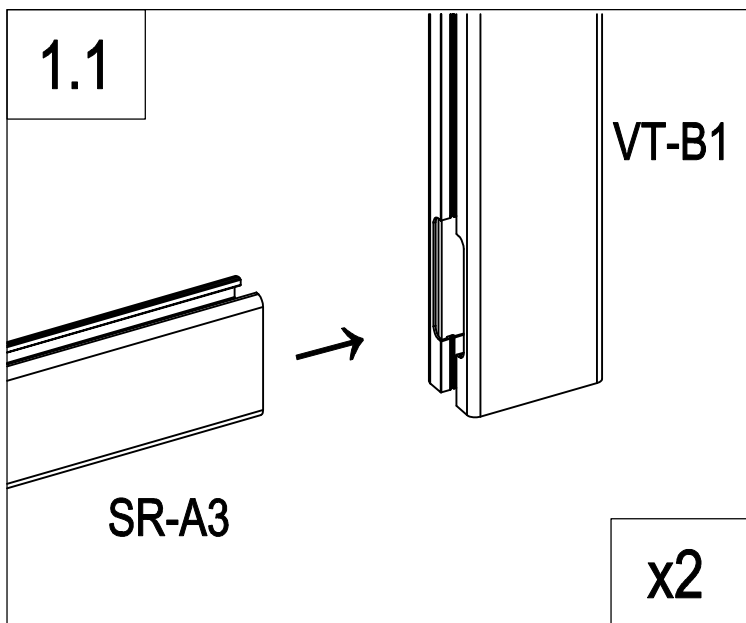
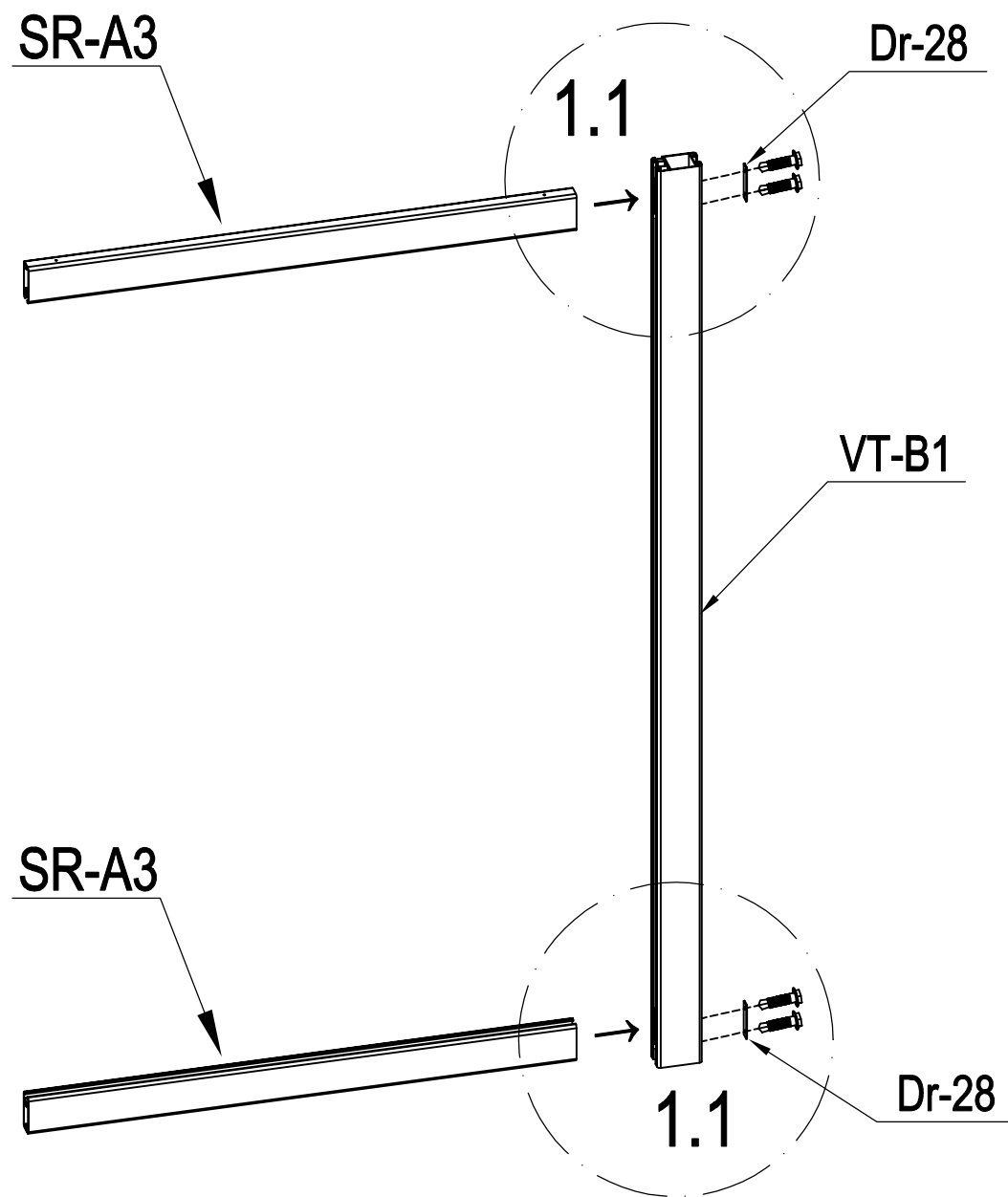


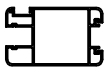
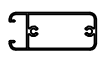




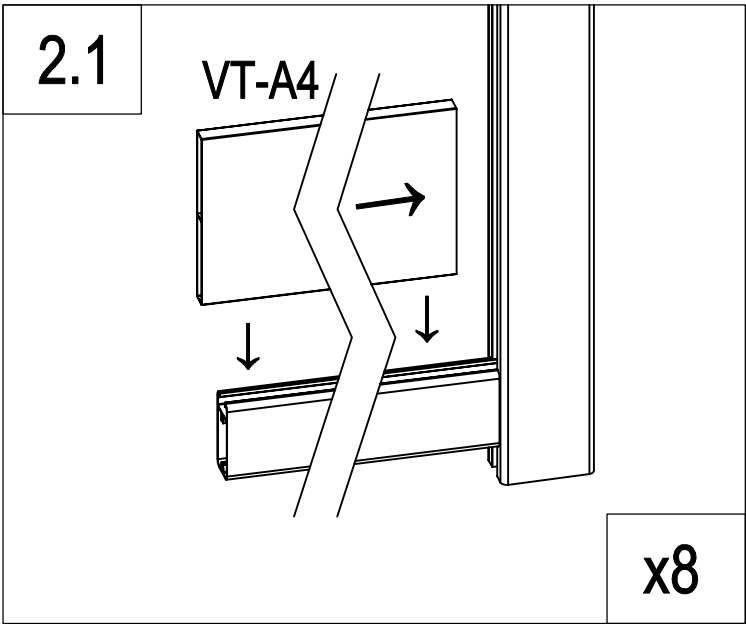
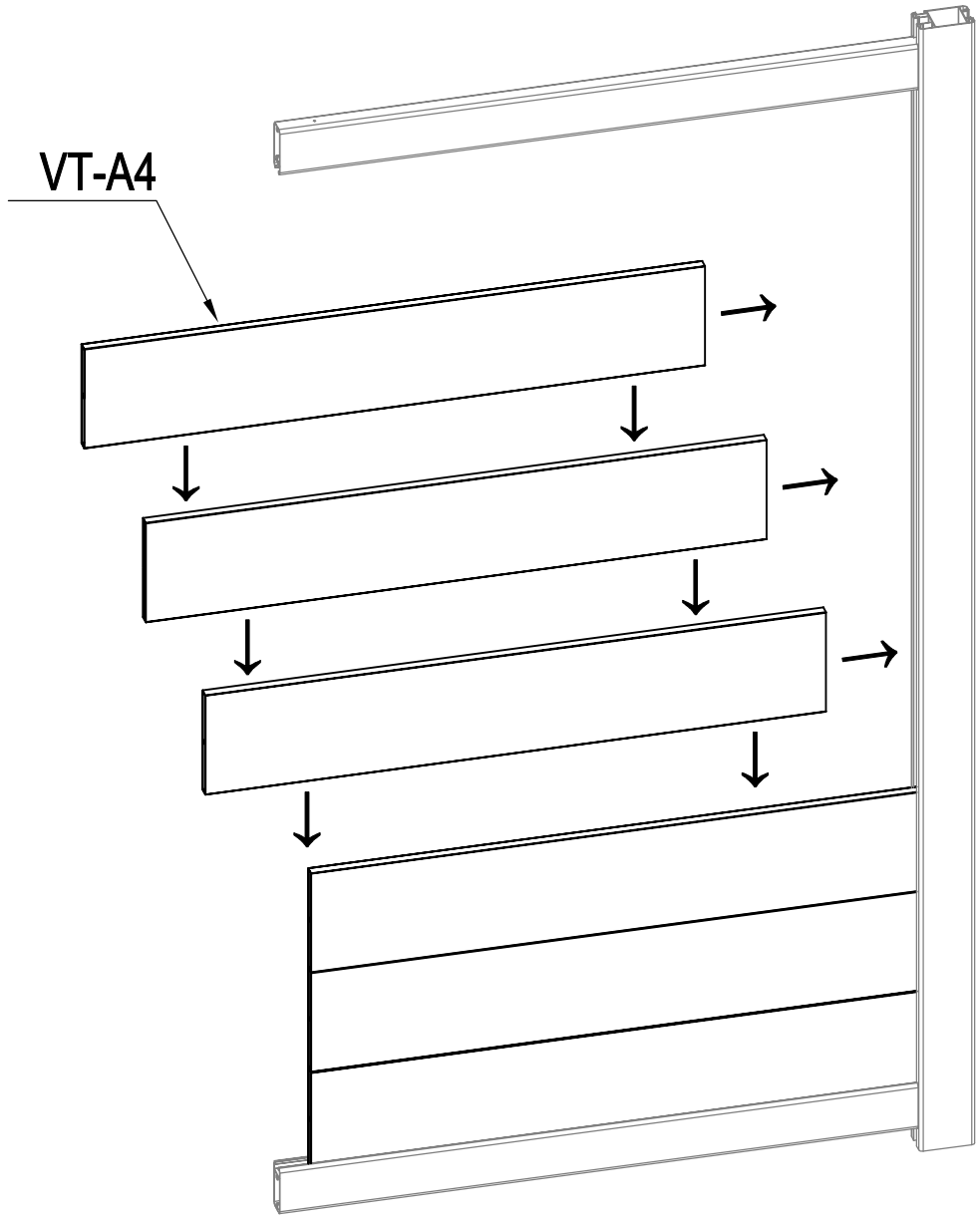


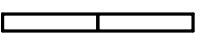
PART LIST

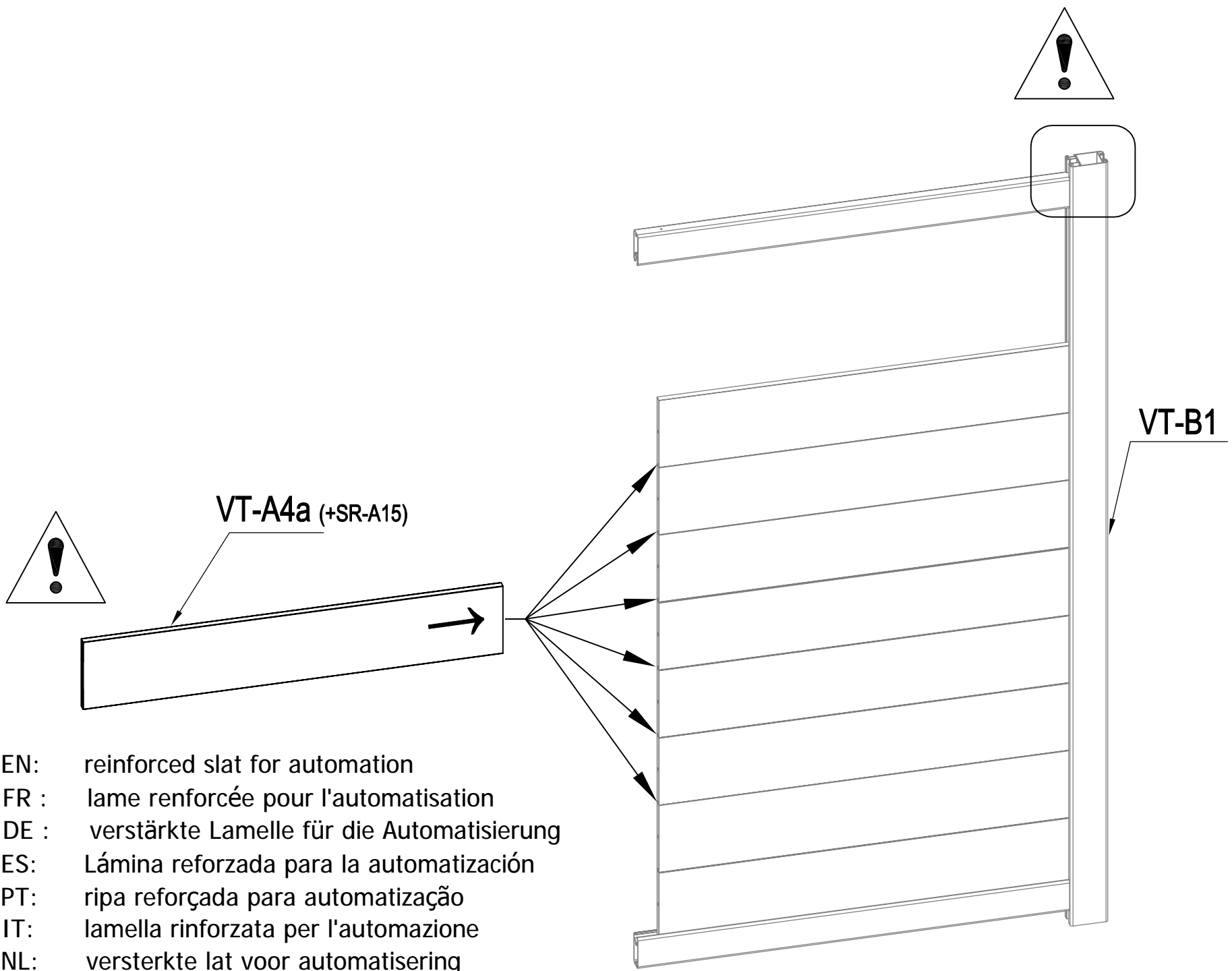
IMAGE	NO.	L.(mm)	QTY	IMAGE	NO.	L.(mm)	QTY
	VT-B1	1751	1		Dr-15		1
	VT-B2	1751	1			Dr-17	
	VT-B9	1751	1			Dr-30	
	SR-A3	959	2		Dr-31		2
	VT-A4	868	8		Dr-18		1
	VT-A4a (+SR-A15)	868	1		Dr-19		1
	VT-B5	1751	1		Dr-20		1
	VT-B5a	573.5	1		Dr-21		1
	Dr-A5b	937	1		Dr-22		1
	Dr-A5c	19.5	1		Dr-23		1
	VT-B11	1751	2		Dr-24		4
	VT-A6	23	16		Dr-25		1
	AT-7	29.5	4		Dr-25a		2
	VT-B7	1731	1		Dr-26		3
	AT-8		1		Dr-27		2
	AT-9		1		VT-C30		4
	AT-10		2		VT-C31		4
	Dr-11		1		VT-C32		6
	Dr-12		1		VT-C33		8
	Dr-13		1		VT-C34		3
	Dr-14		1		VT-C35		36
					Dr-28		4



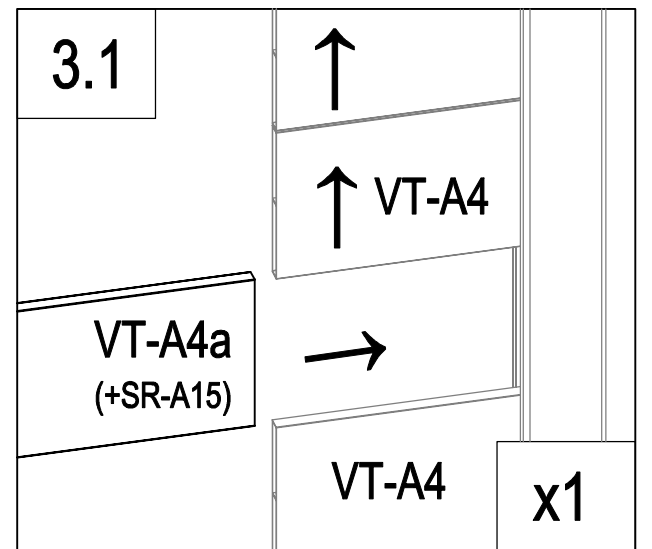
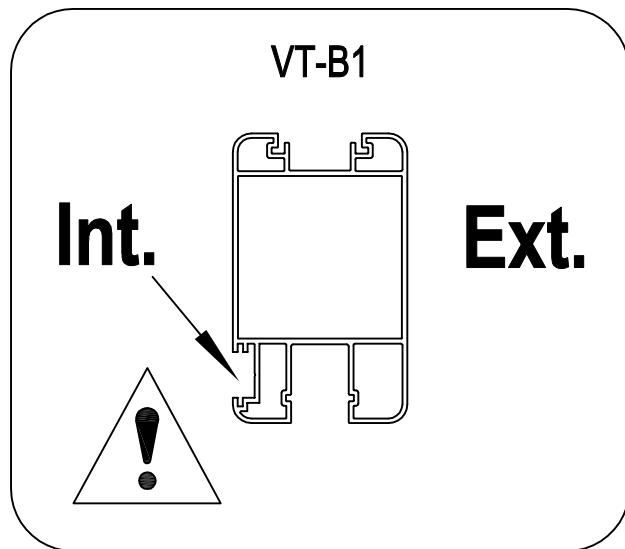
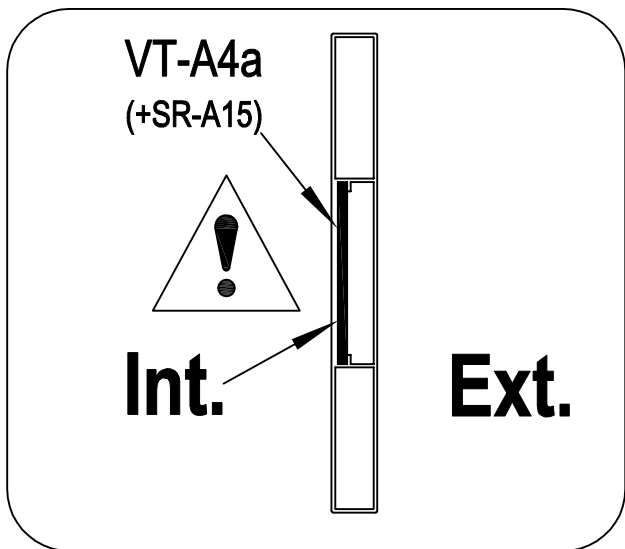
	VT-B1	1
	SR-A3	2
	Dr-28	2
	VT-C33	4




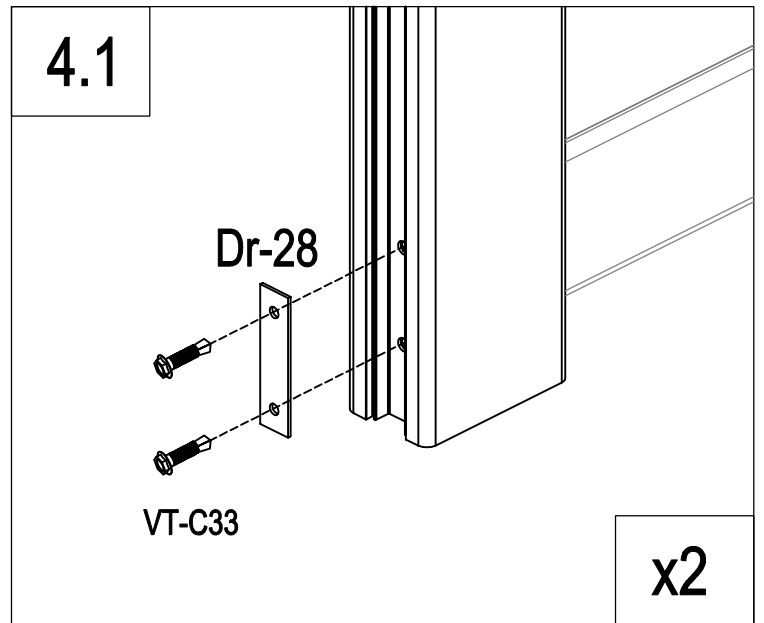
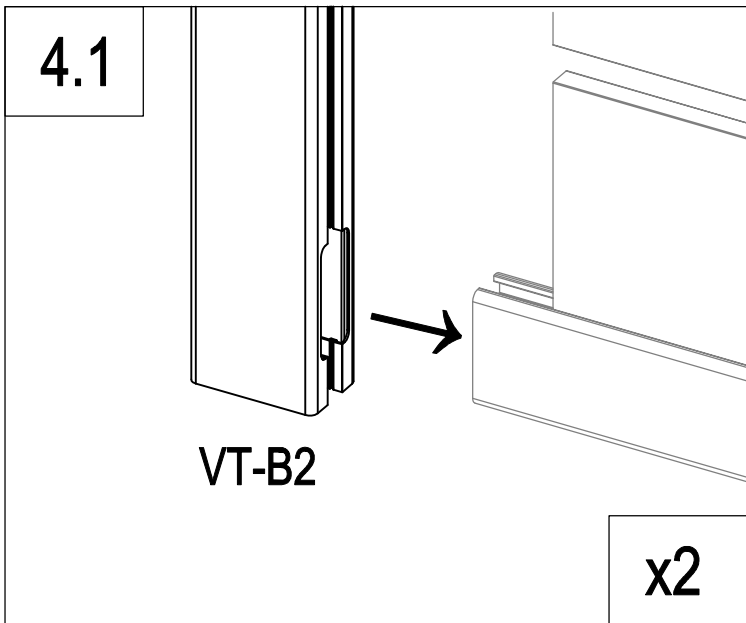
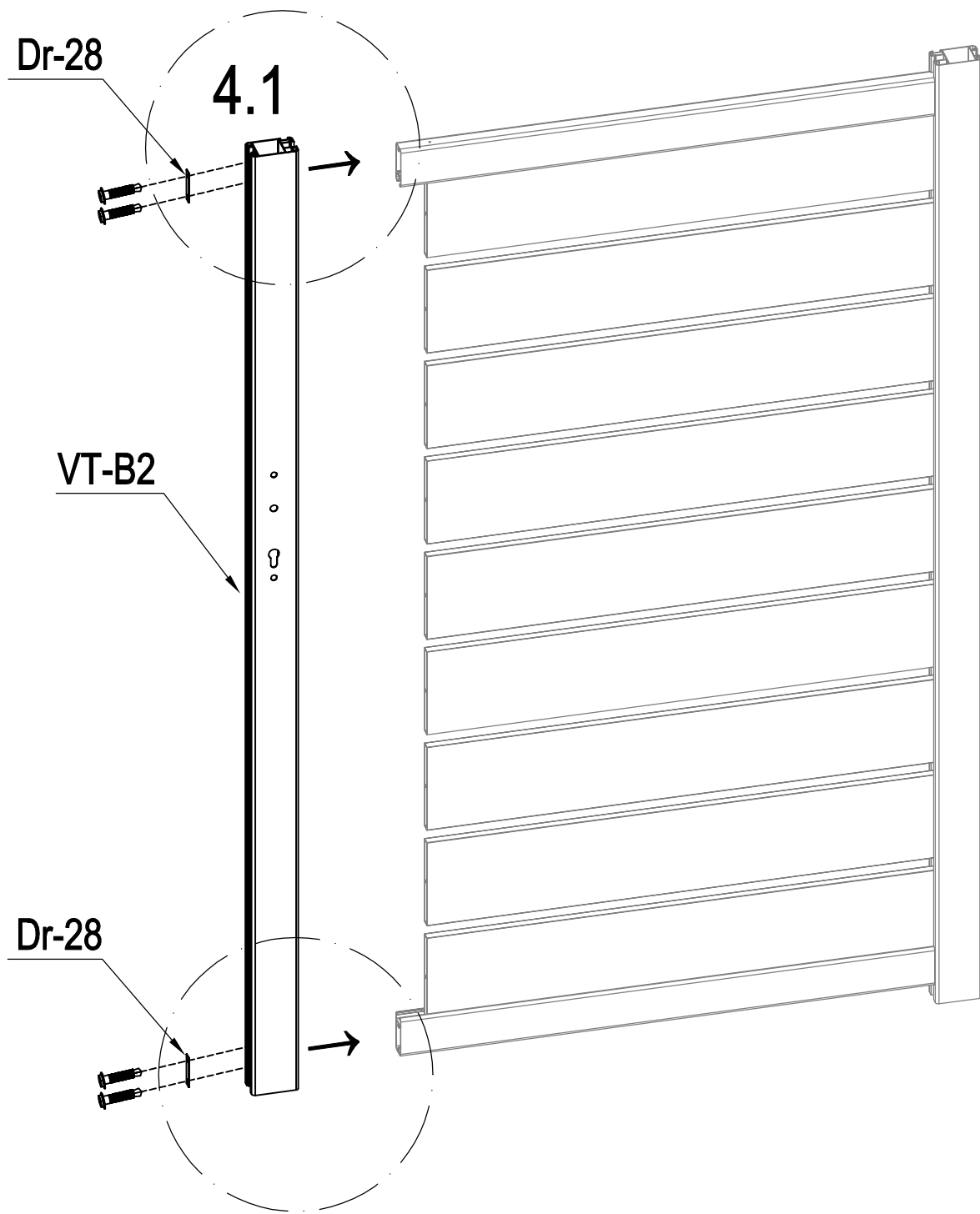
	VT-A4	8
---	-------	---

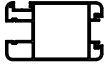




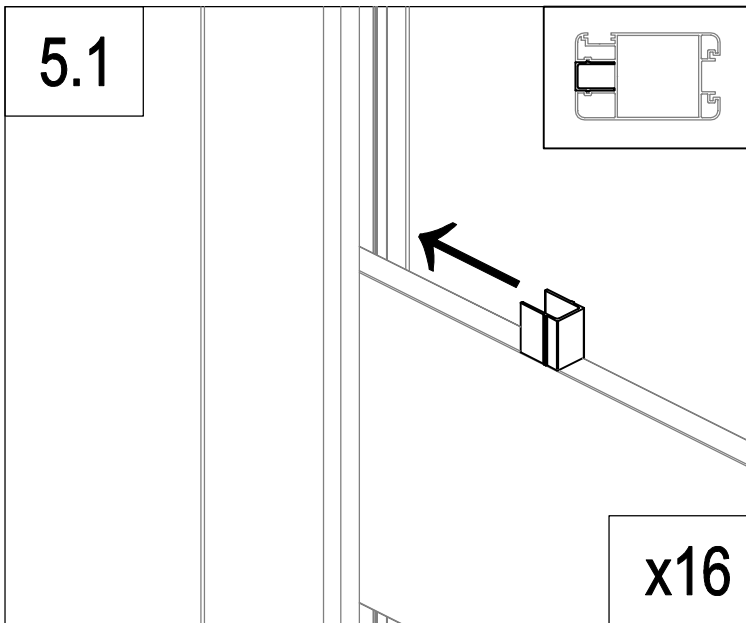
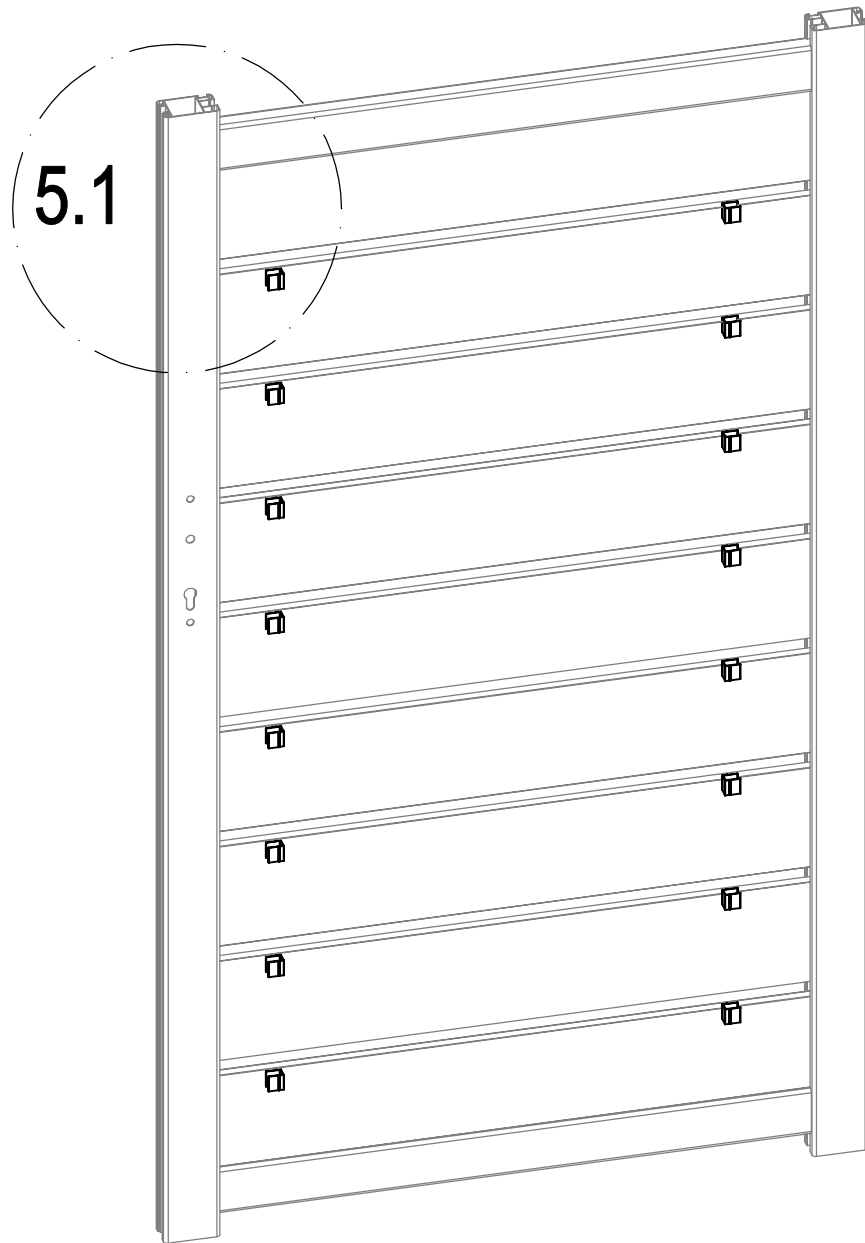
- EN: reinforced slat for automation
- FR : lame renforcée pour l'automatisation
- DE : verstärkte Lamelle für die Automatisierung
- ES: Lámina reforzada para la automatización
- PT: ripa reforçada para automatização
- IT: lamella rinforzata per l'automazione
- NL: versterkte lat voor automatisering
- PL: wzmocniona listwa do automatyzacji



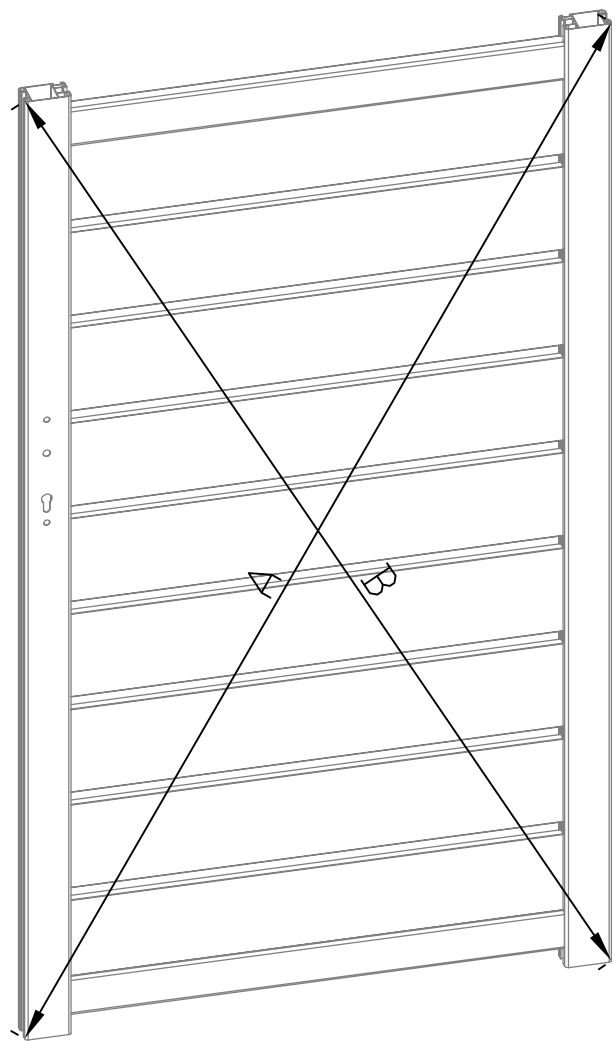
	VT-A4a (+SR-A15)	1
---	------------------	---



	VT-B2	1
	Dr-28	2
	VT-C33	4

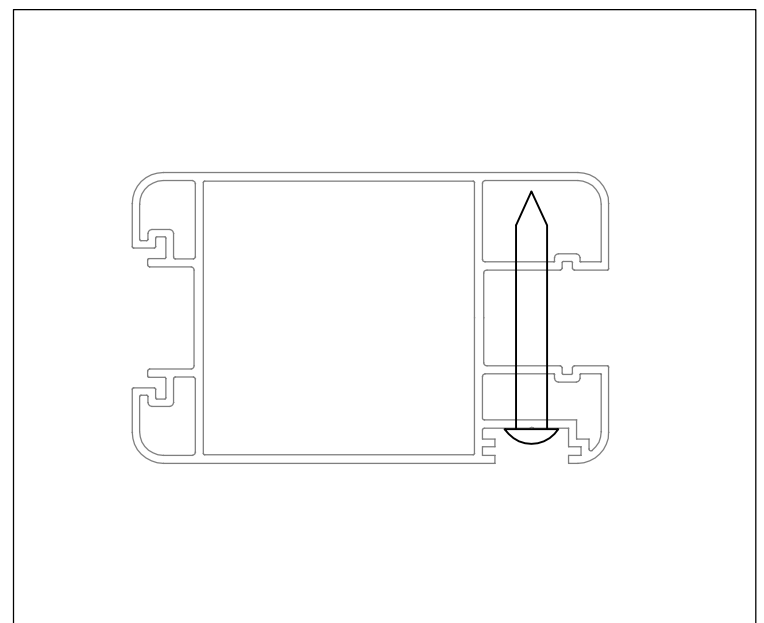
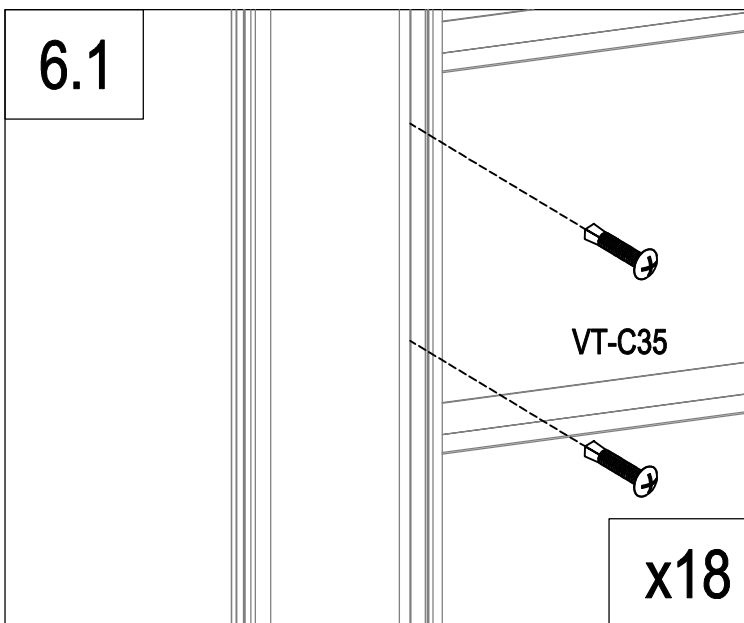
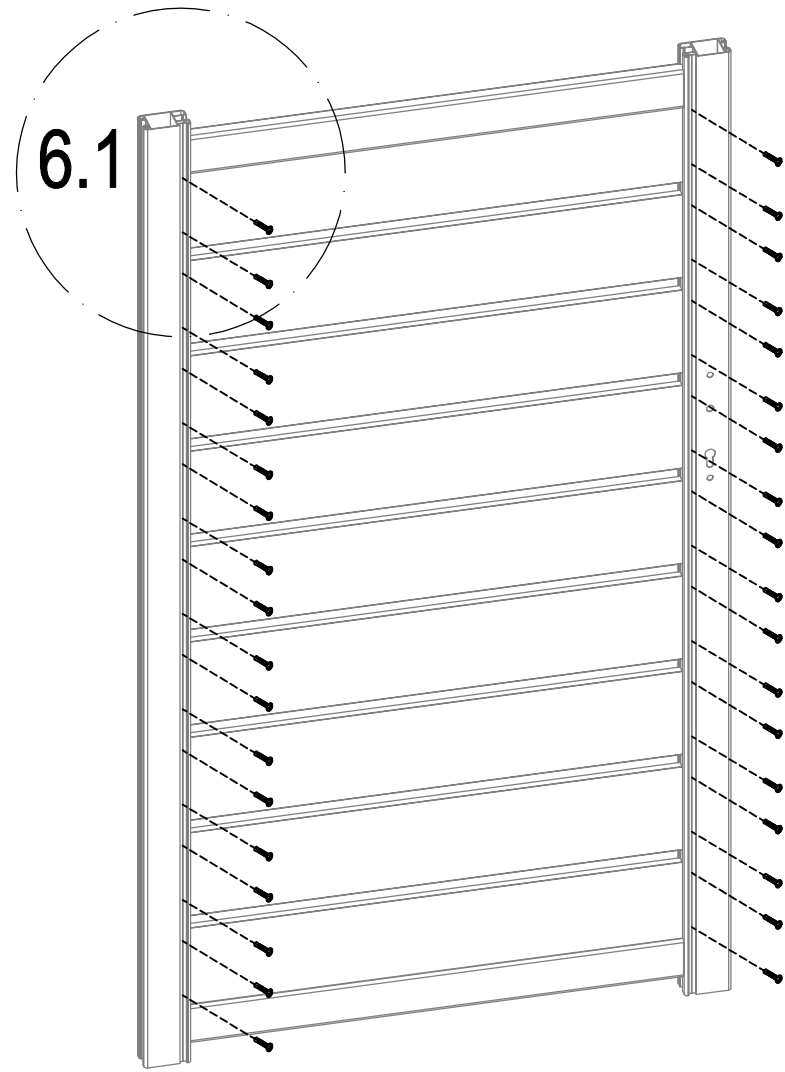



	VT-A6	16
---	-------	----

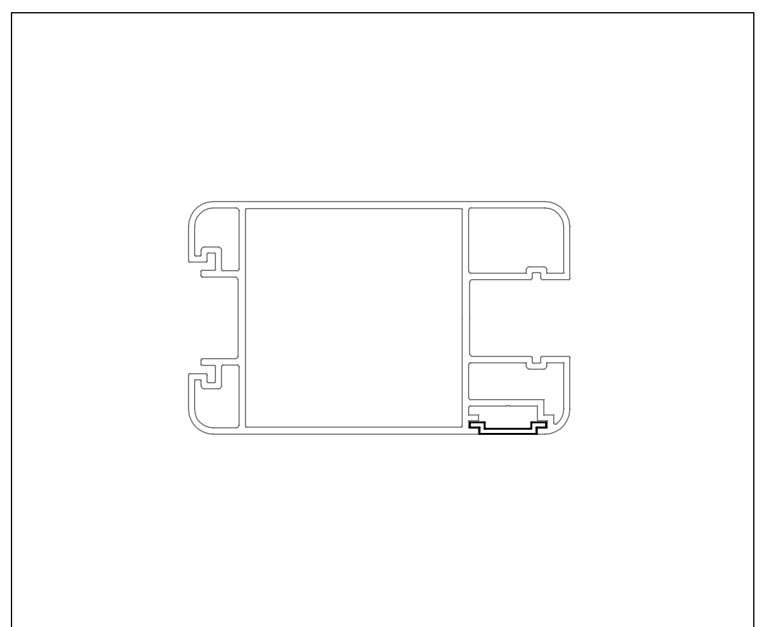
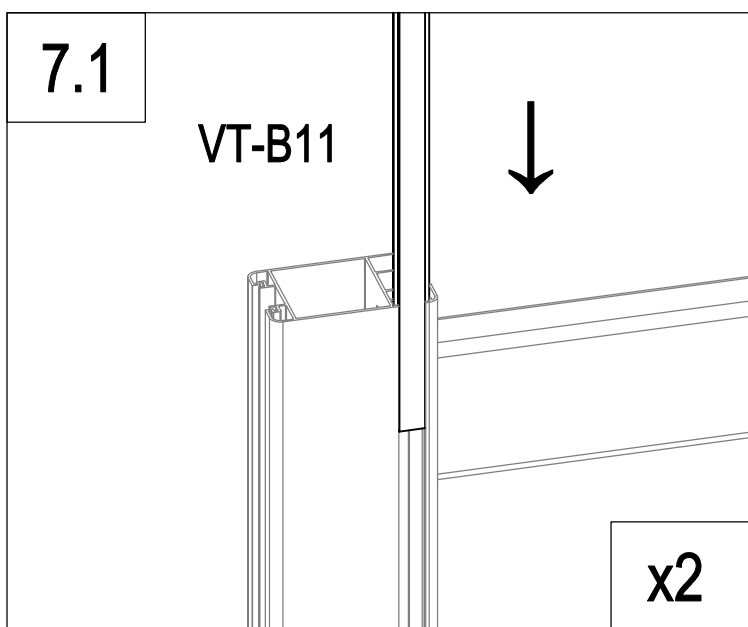
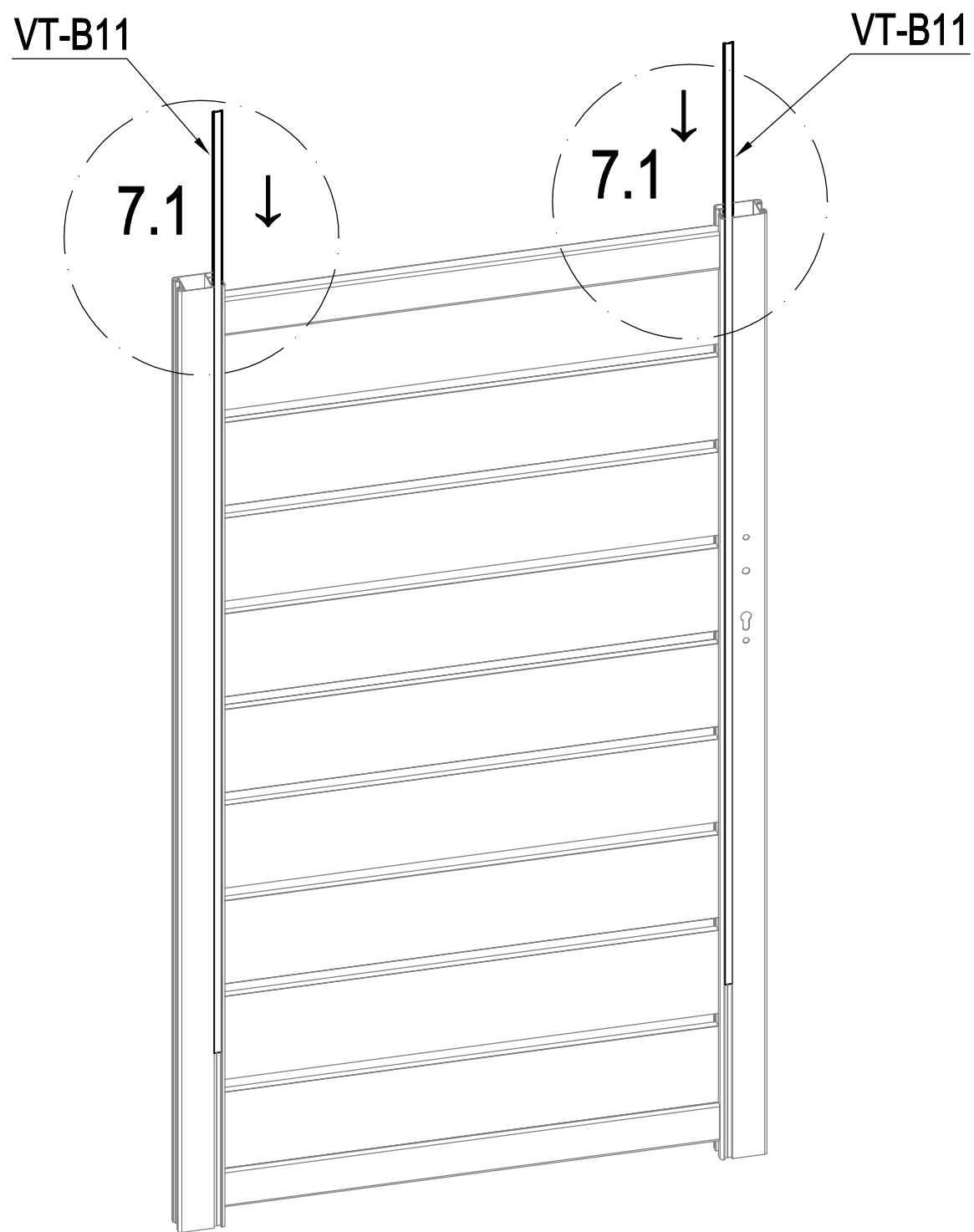


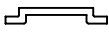
A=B

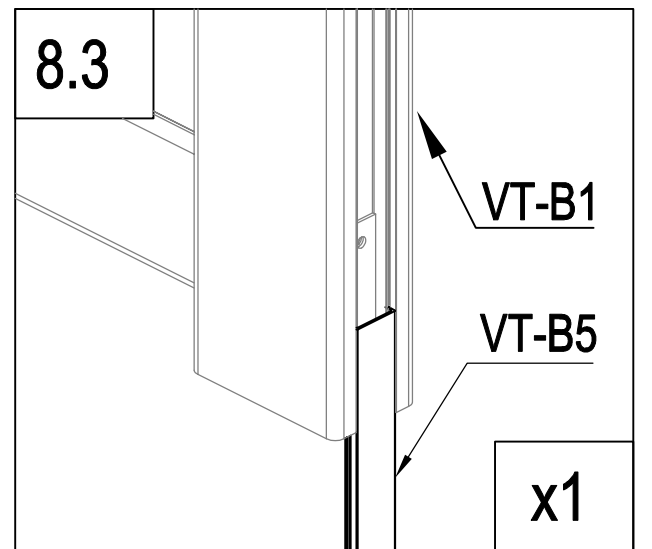
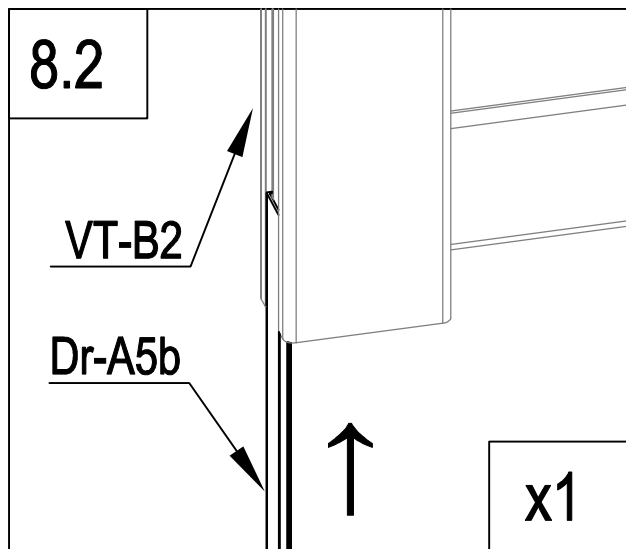
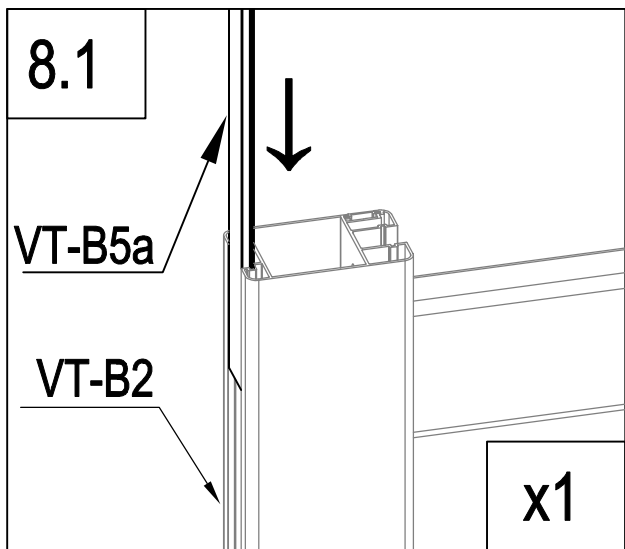
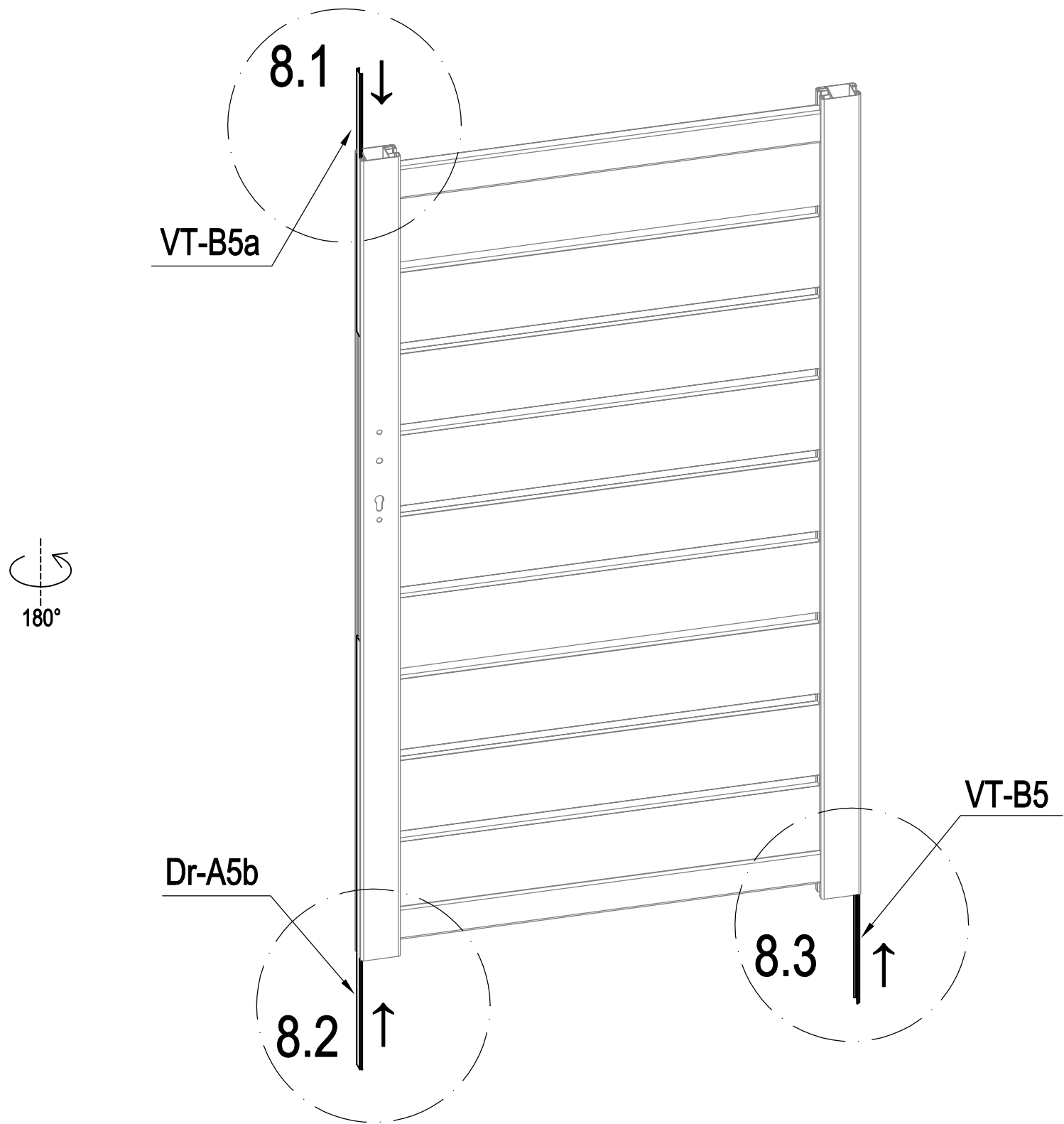
180°

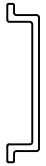


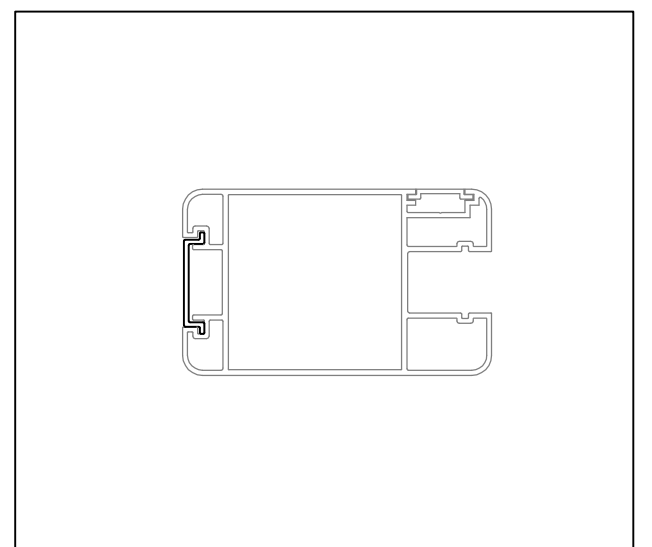
	VT-C35	36
---	---------------	-----------

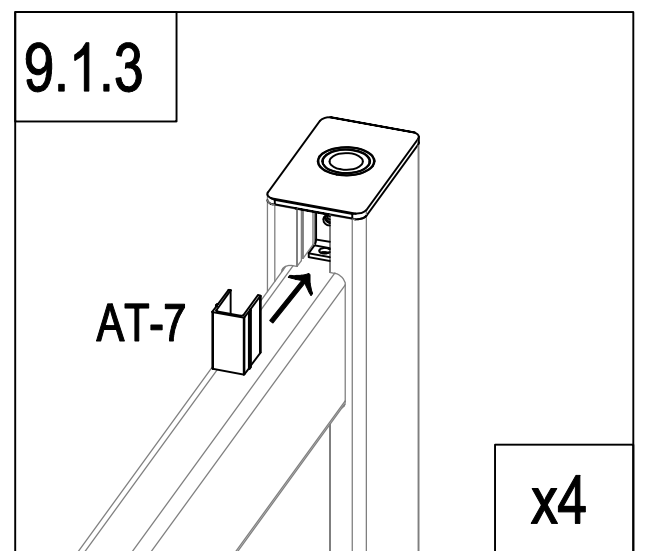
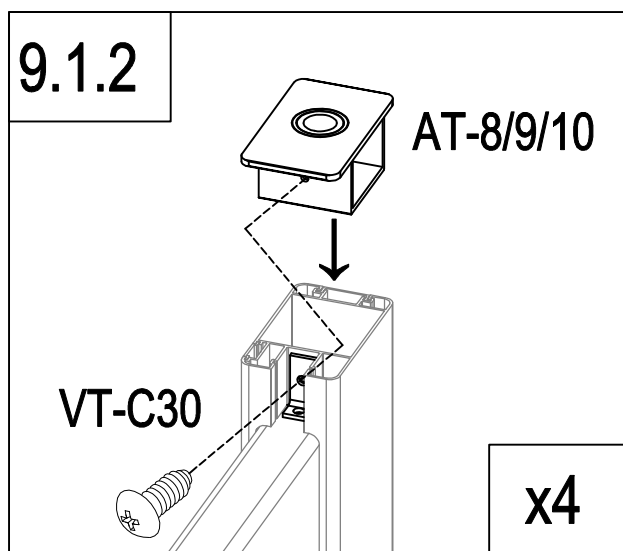
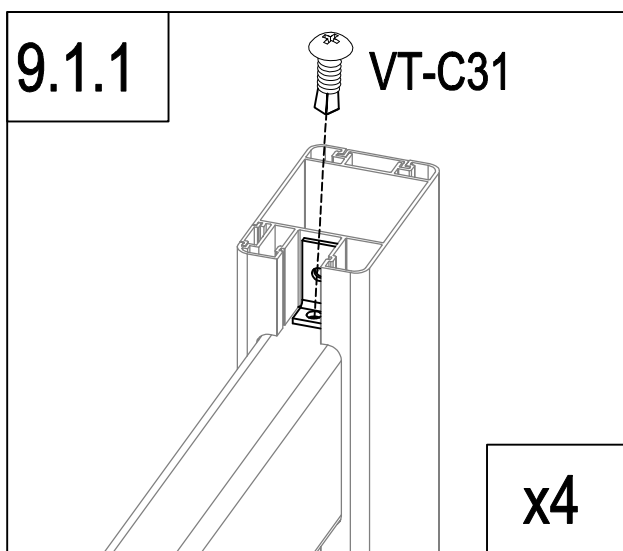
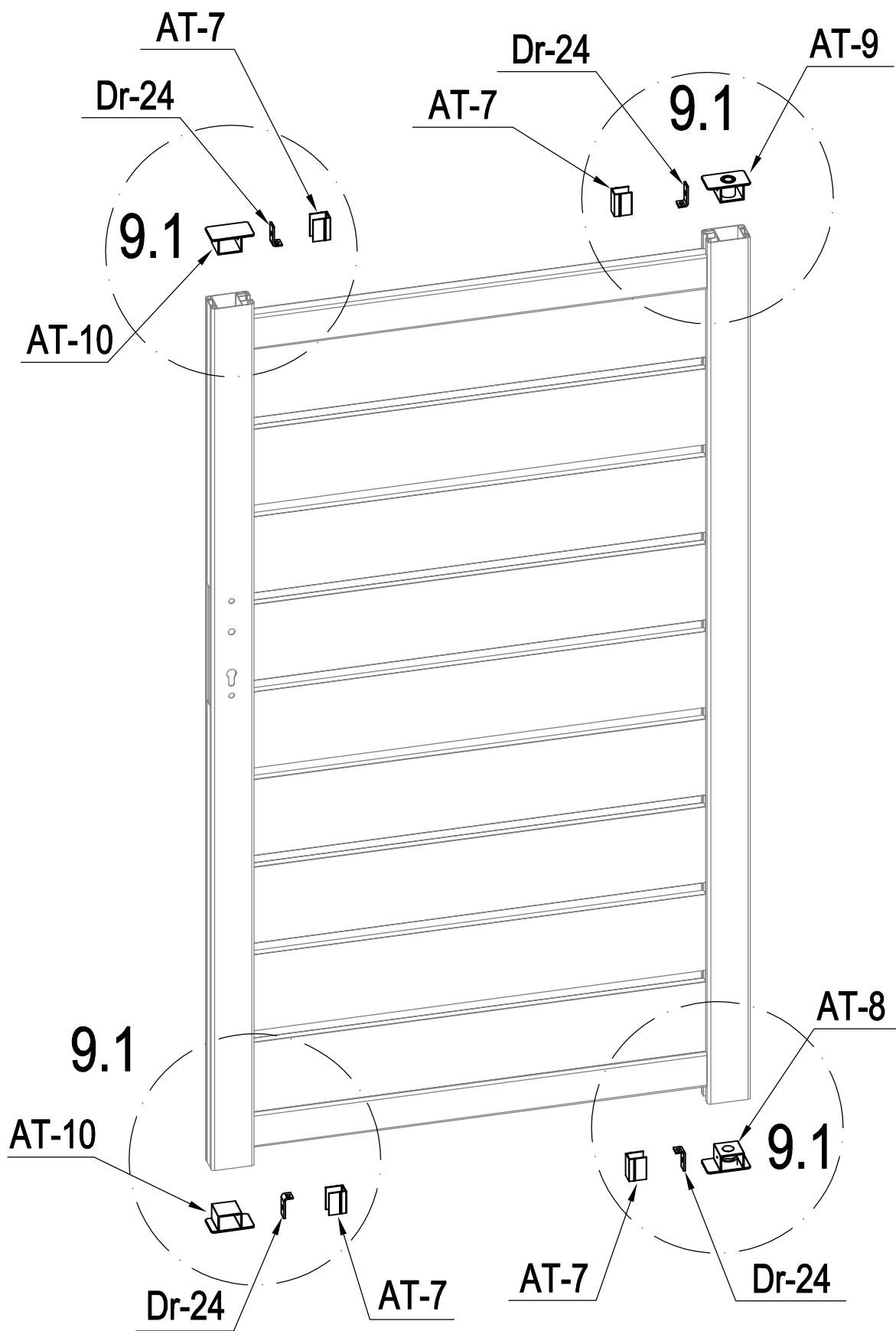


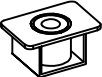
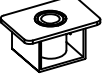
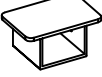
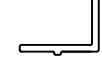
	VT-B11	2
---	---------------	----------



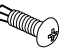


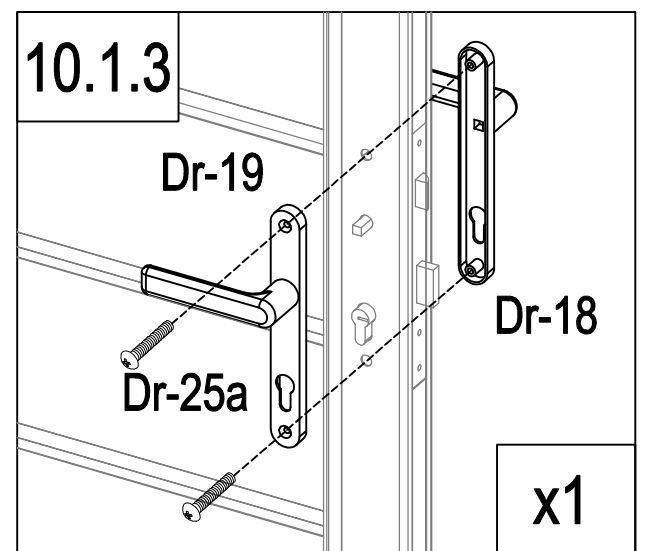
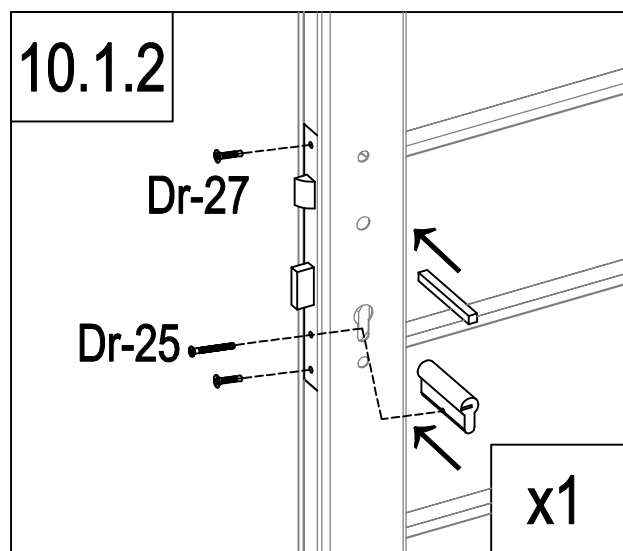
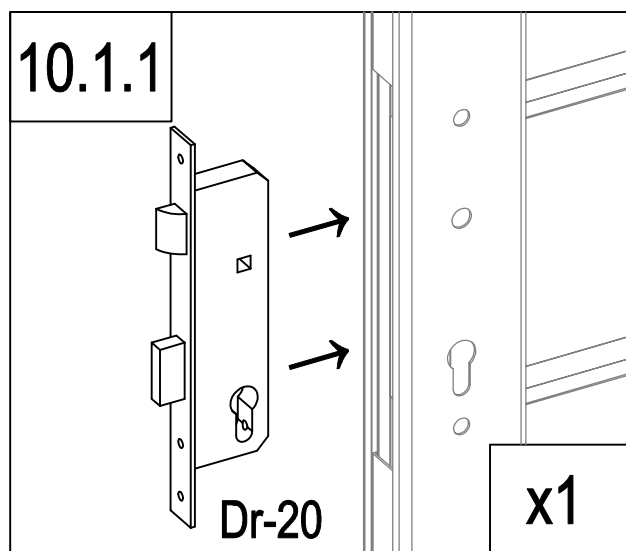
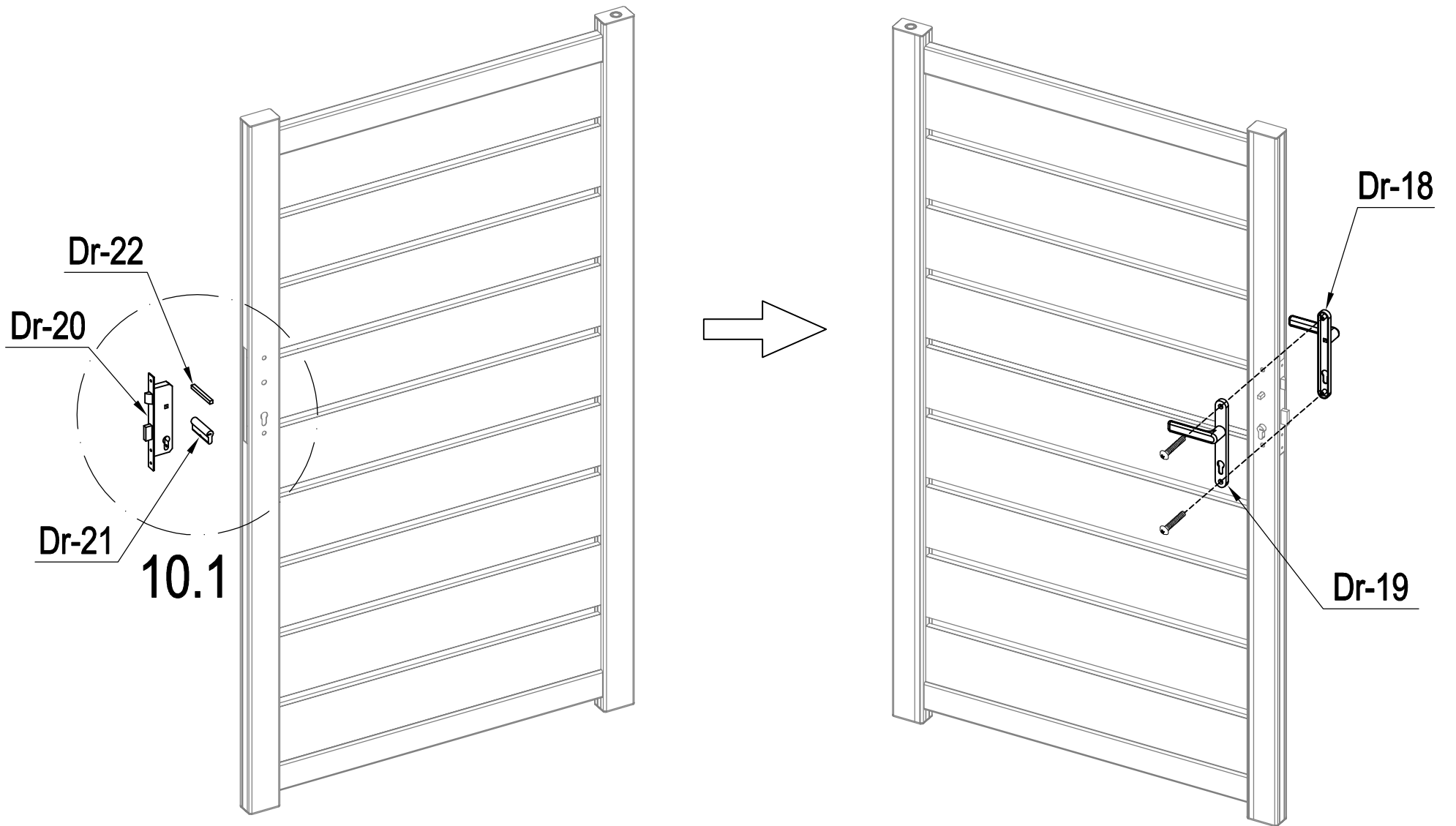
	VT-B5a	1
	Dr-A5b	1
	VT-B5	1





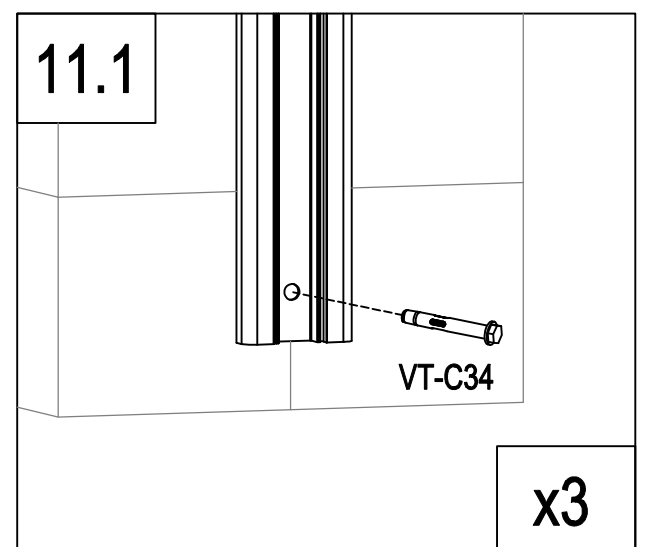
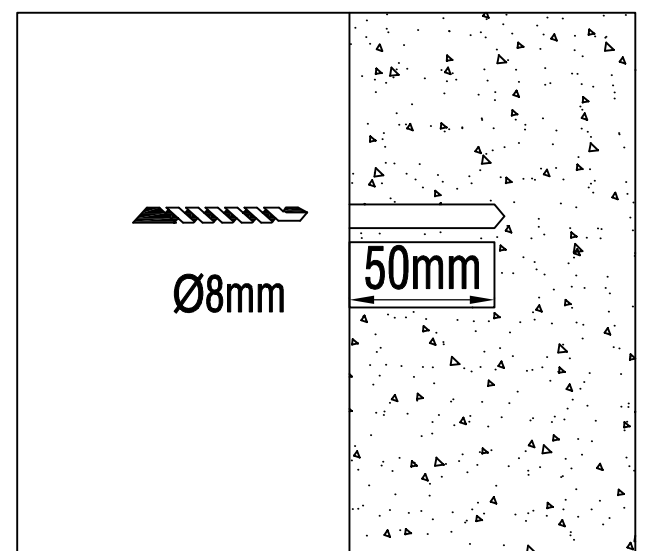
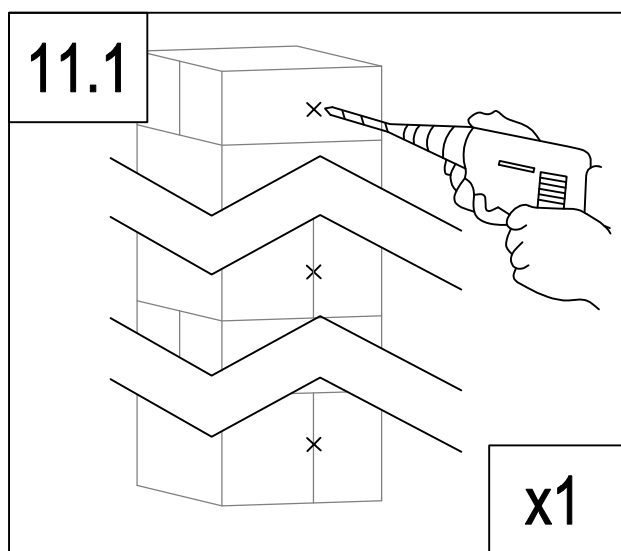
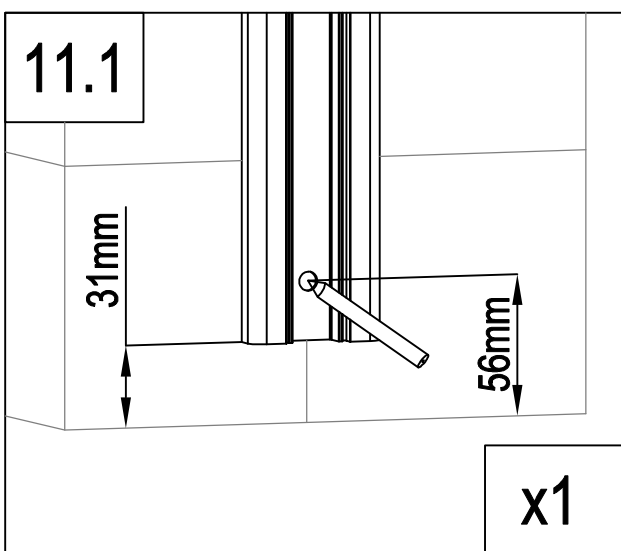
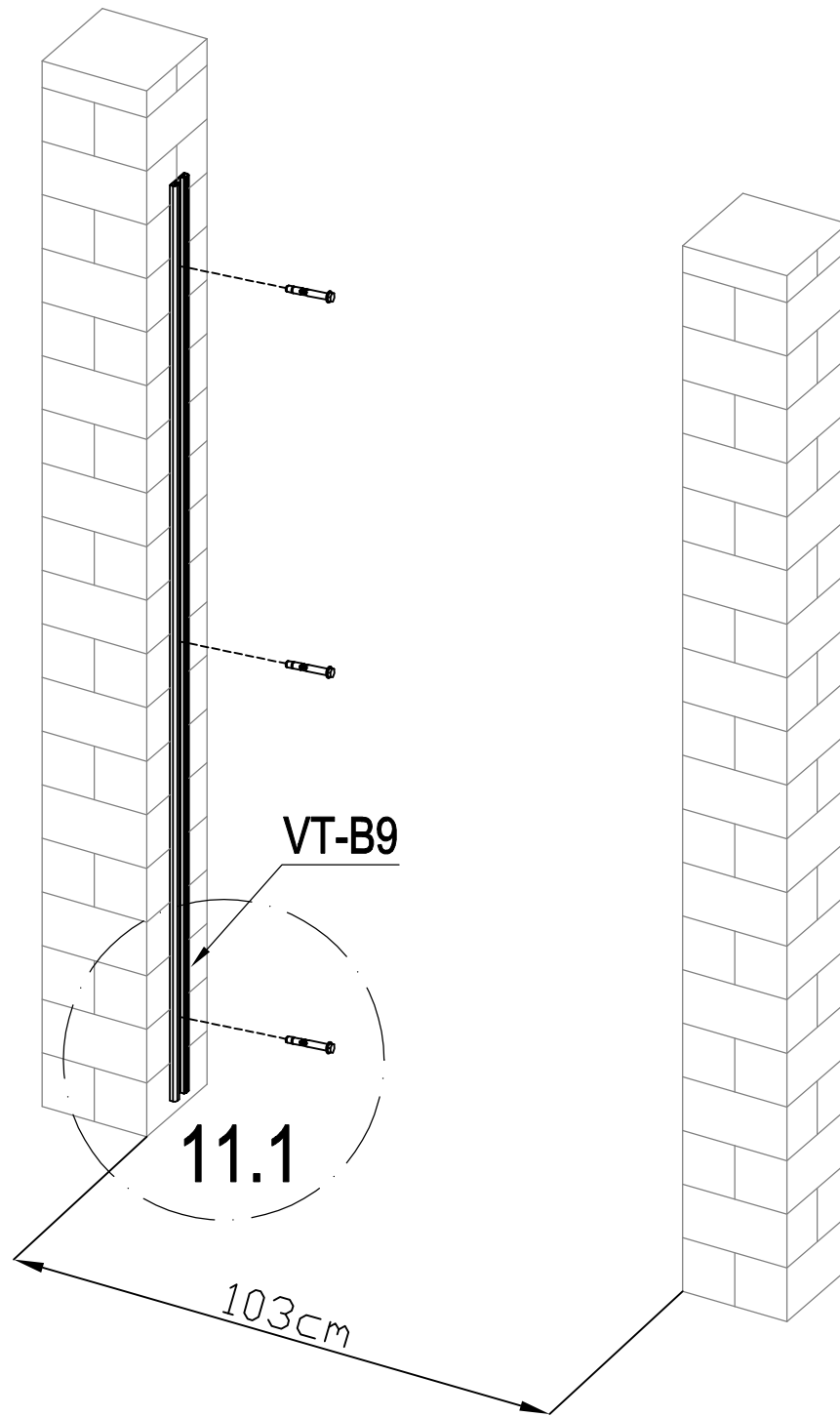
	AT-8	1
	AT-9	1
	AT-10	2
	AT-7	4

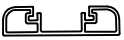

	Dr-24	4
	VT-C30	4
	VT-C31	4

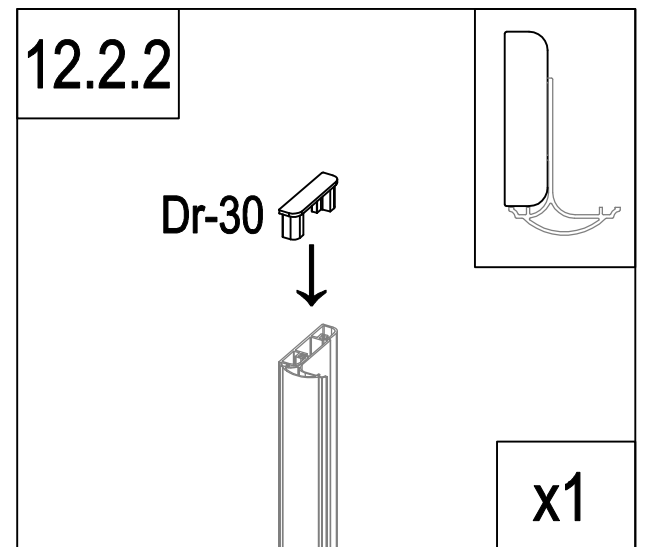
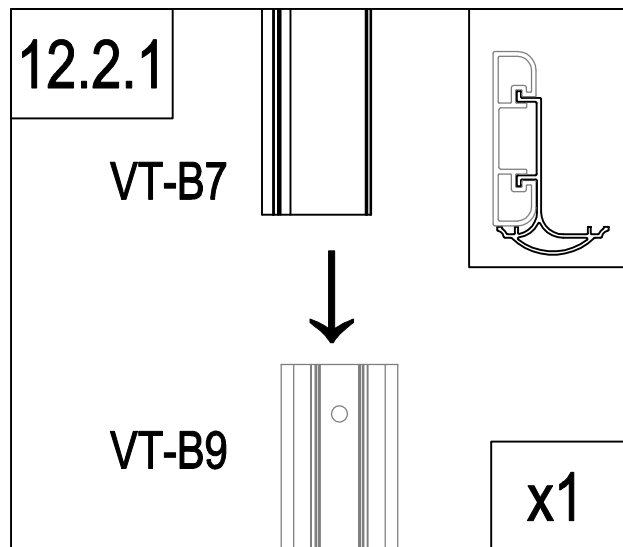
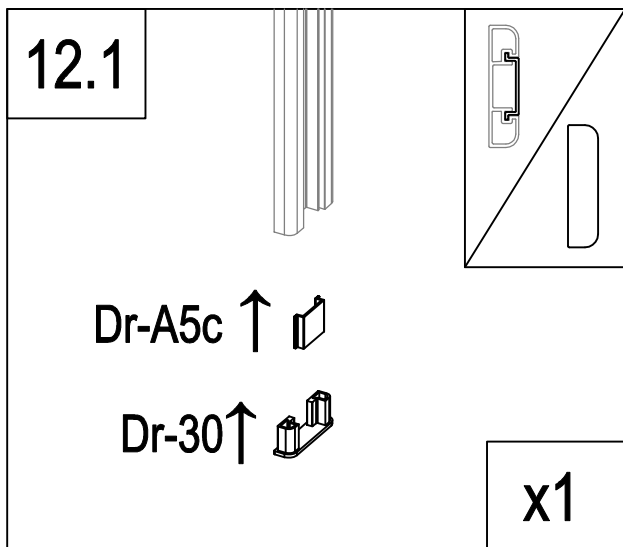
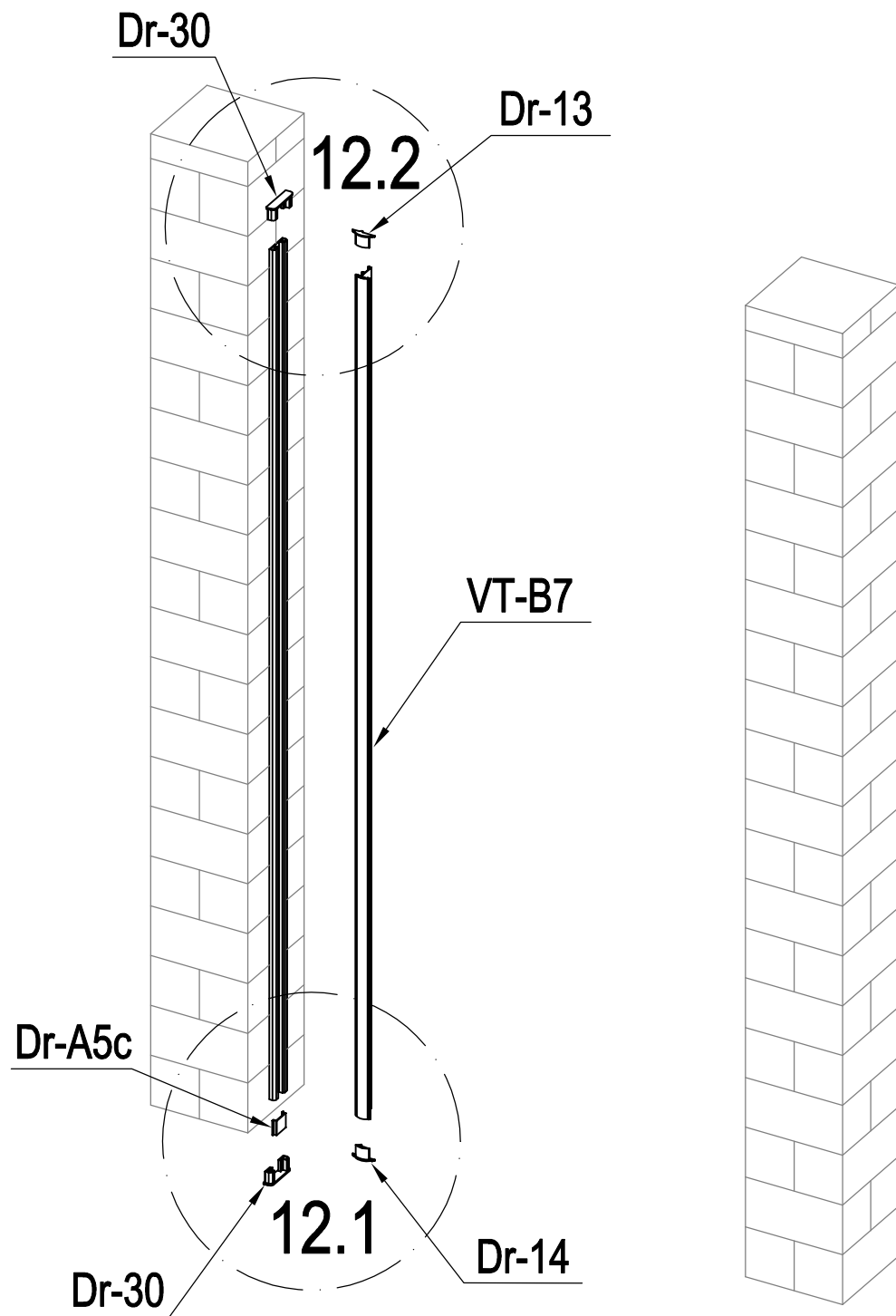


	Dr-20	1
	Dr-21	1
	Dr-22	1
	Dr-25	1

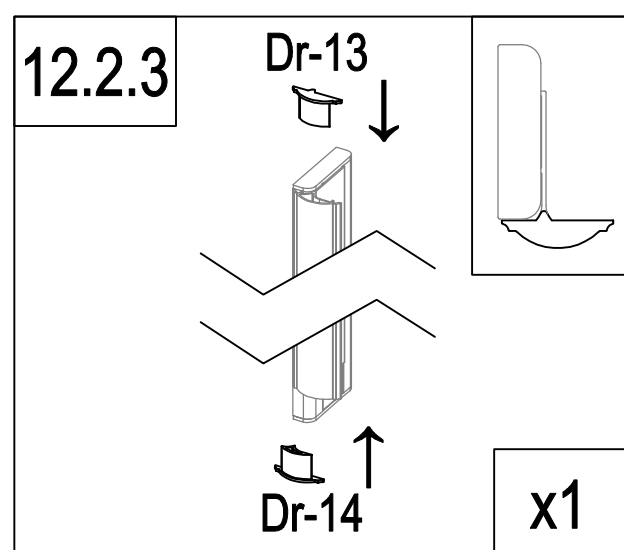
	Dr-18	1
	Dr-19	1
	Dr-25a	2
	Dr-27	2

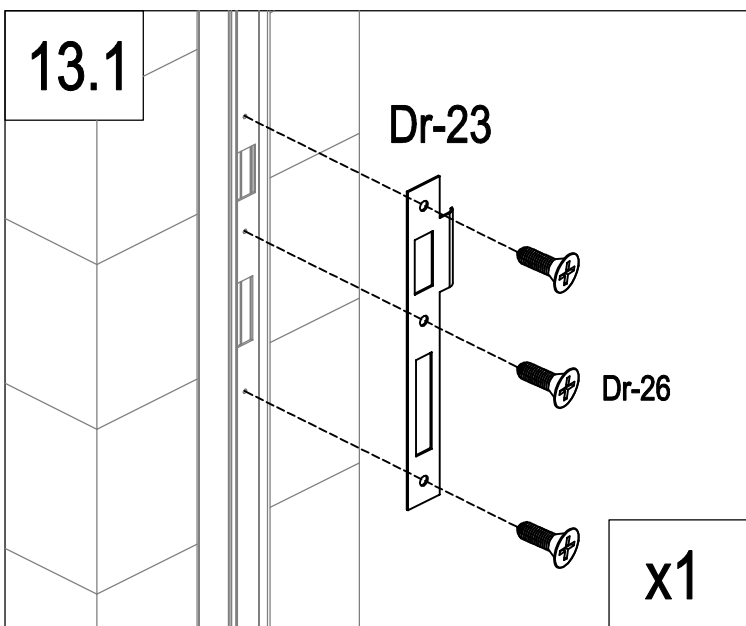
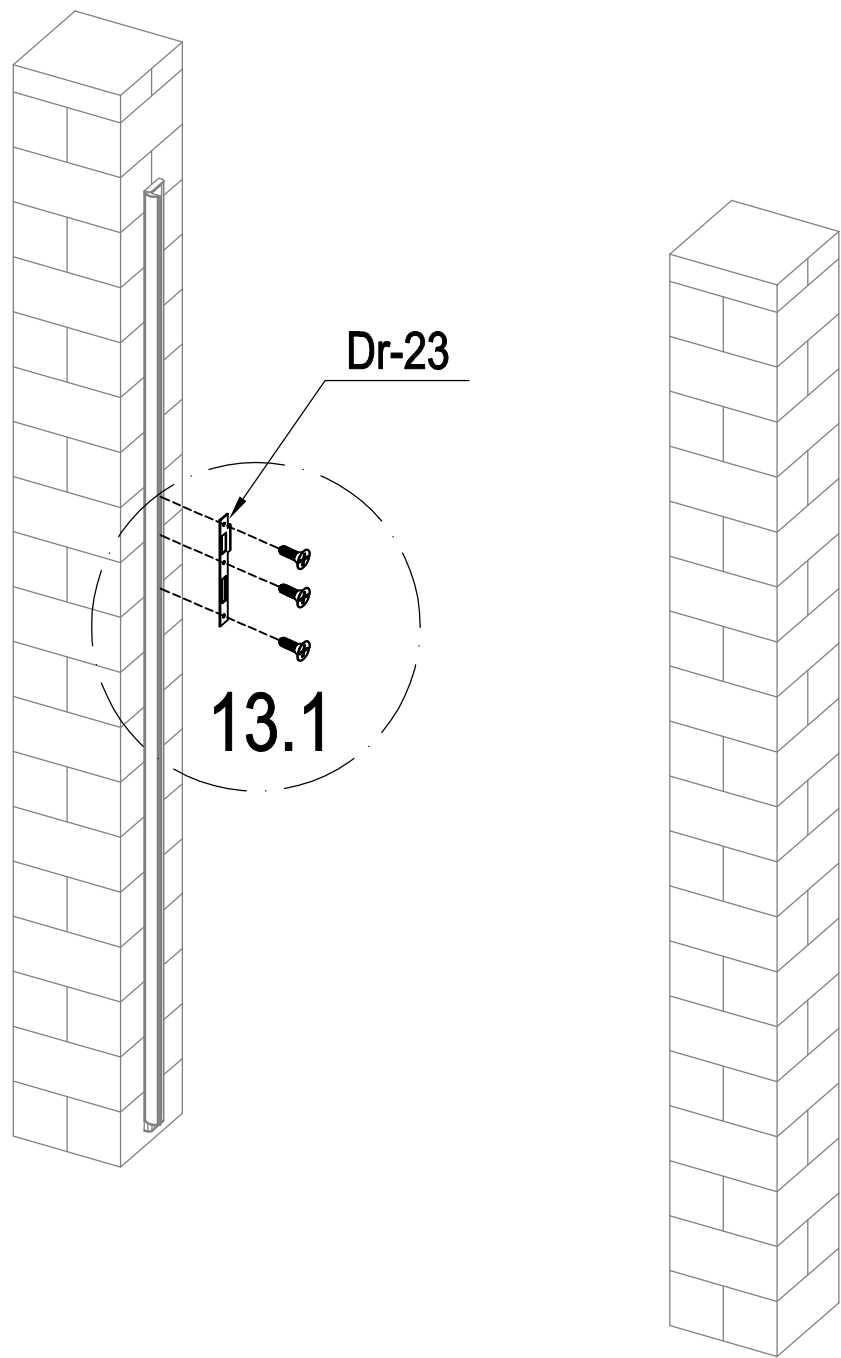




	VT-B9	1
	VT-C34	3

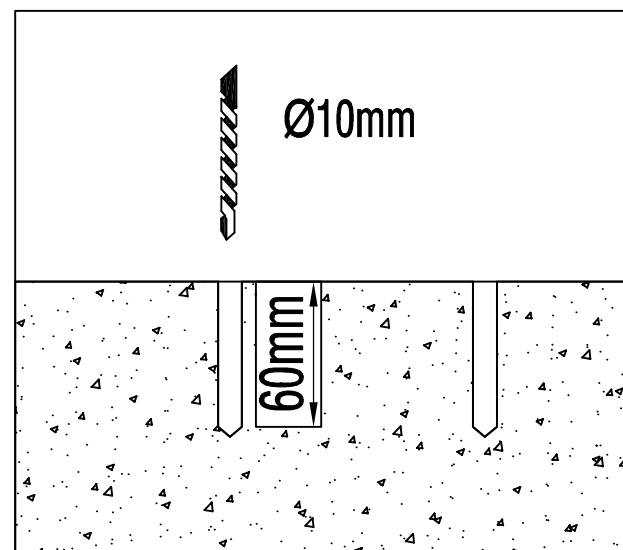
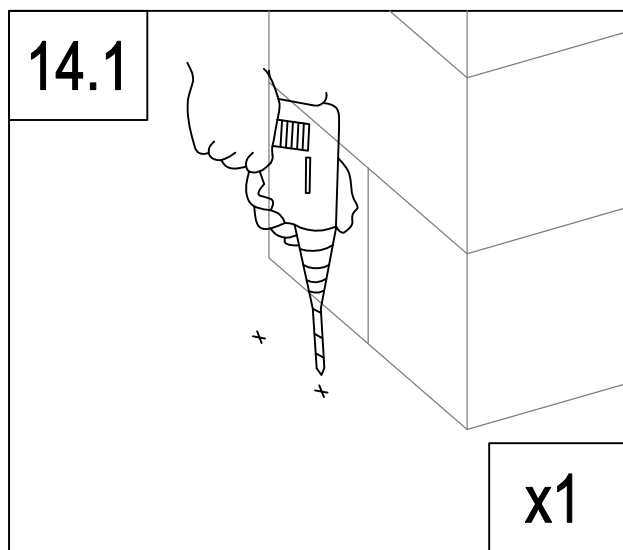
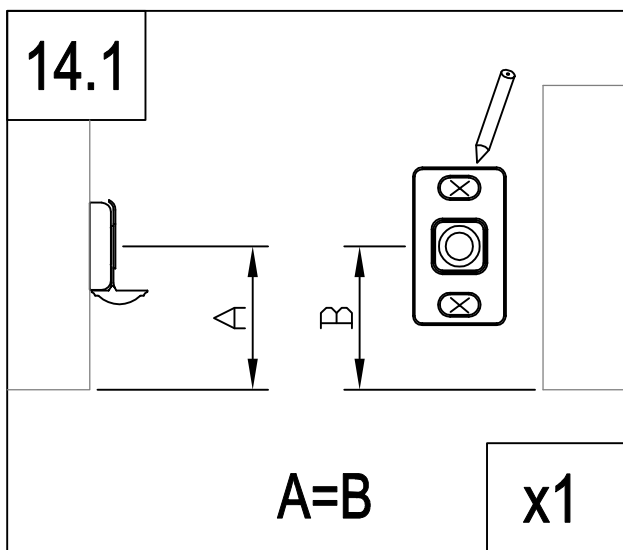
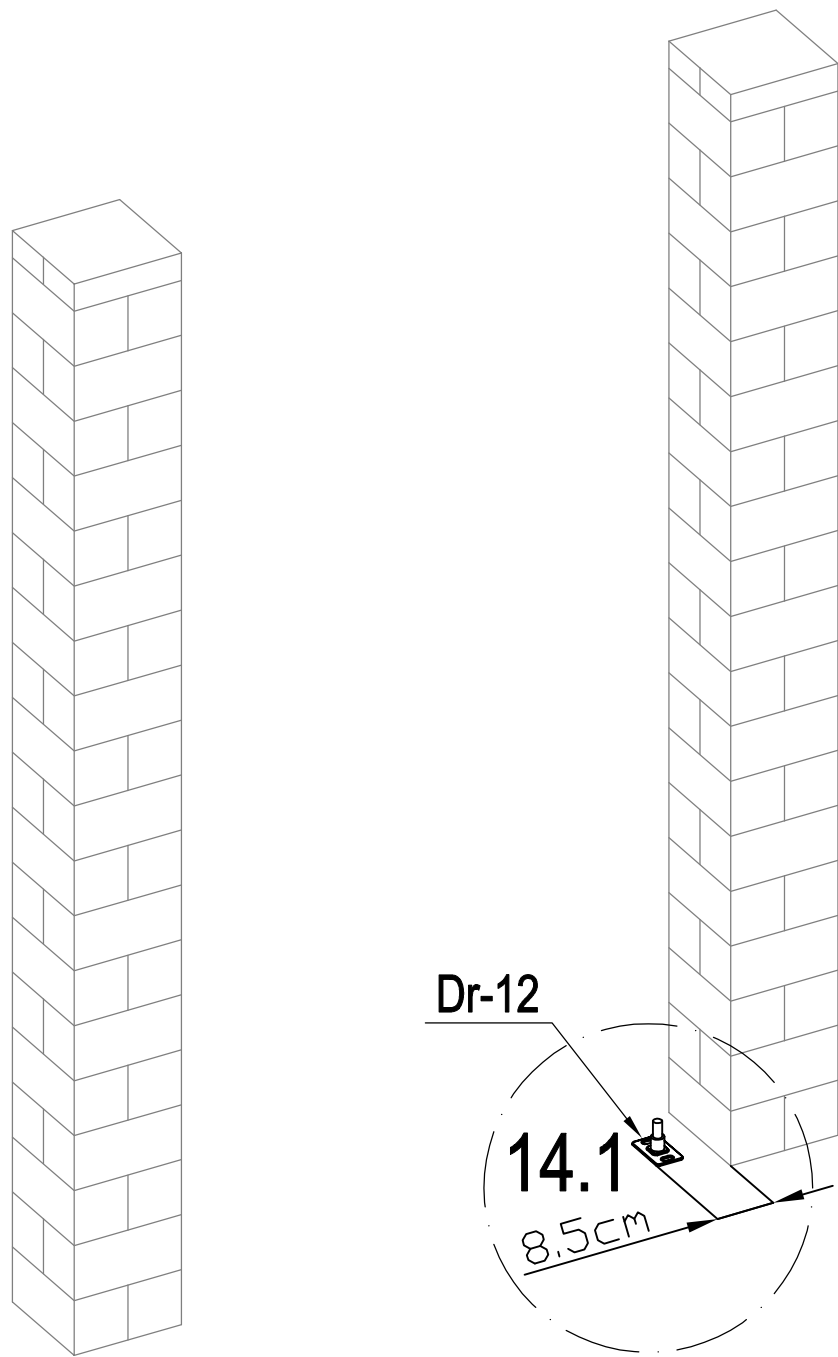


	VT-B7	1
	Dr-13	1
	Dr-14	1
	Dr-30	2
	Dr-A5c	1

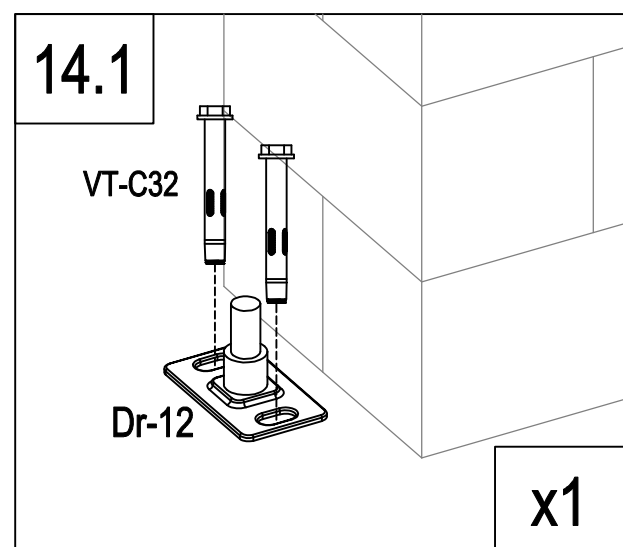


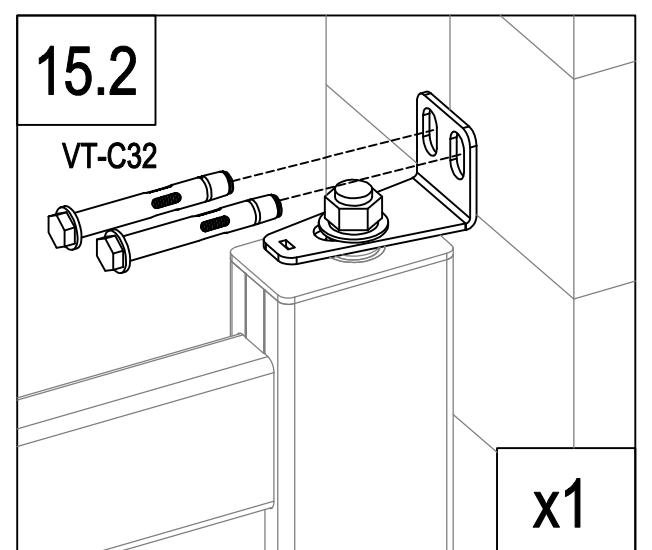
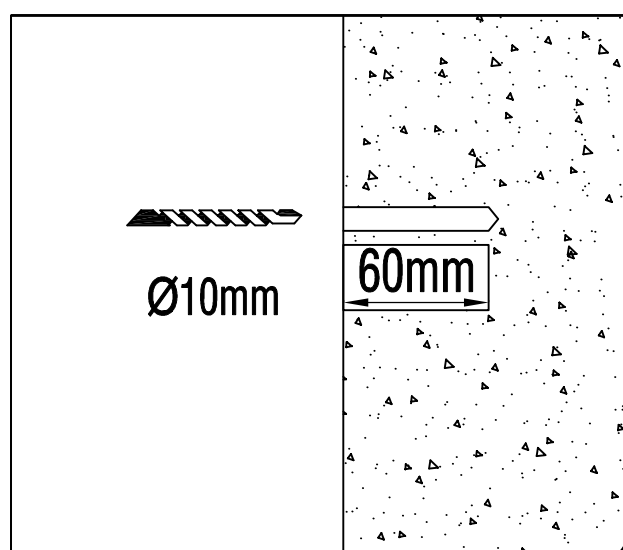
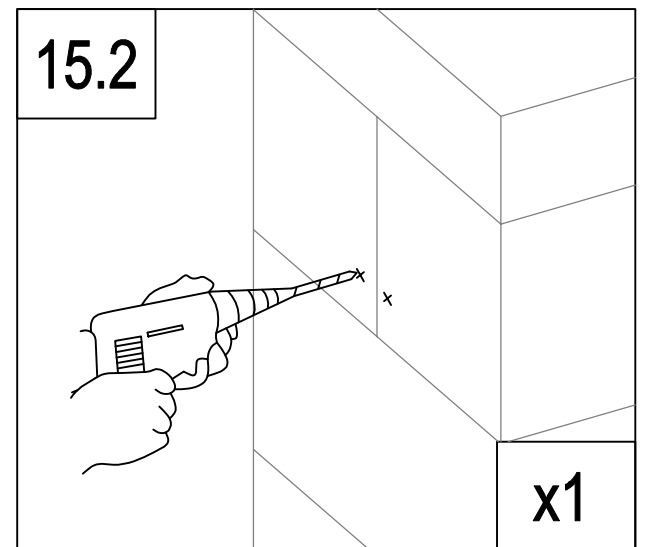
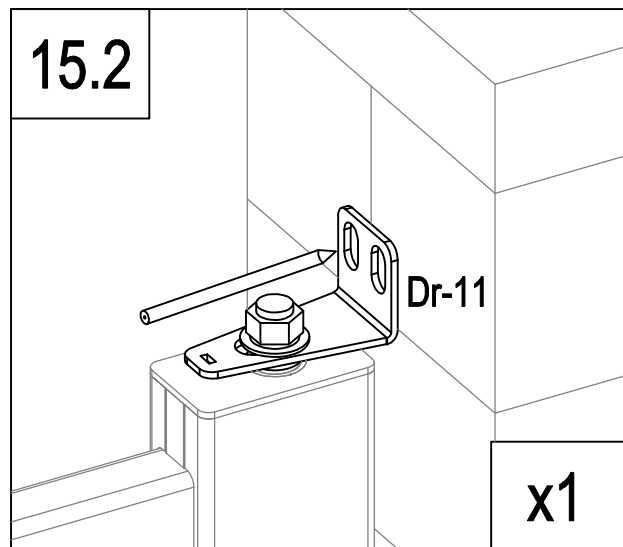
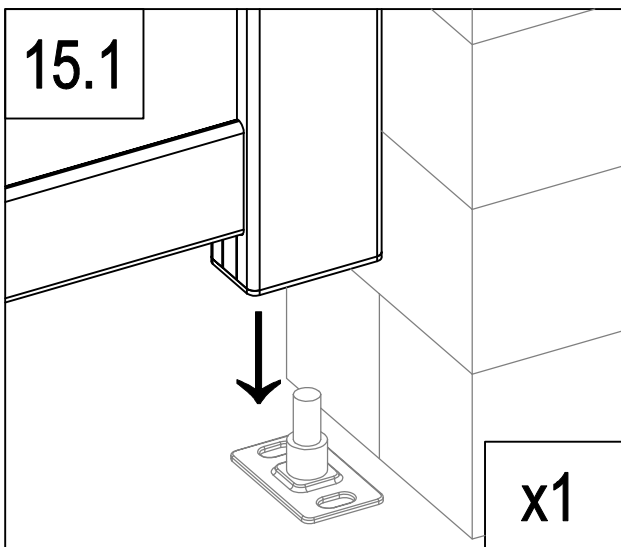
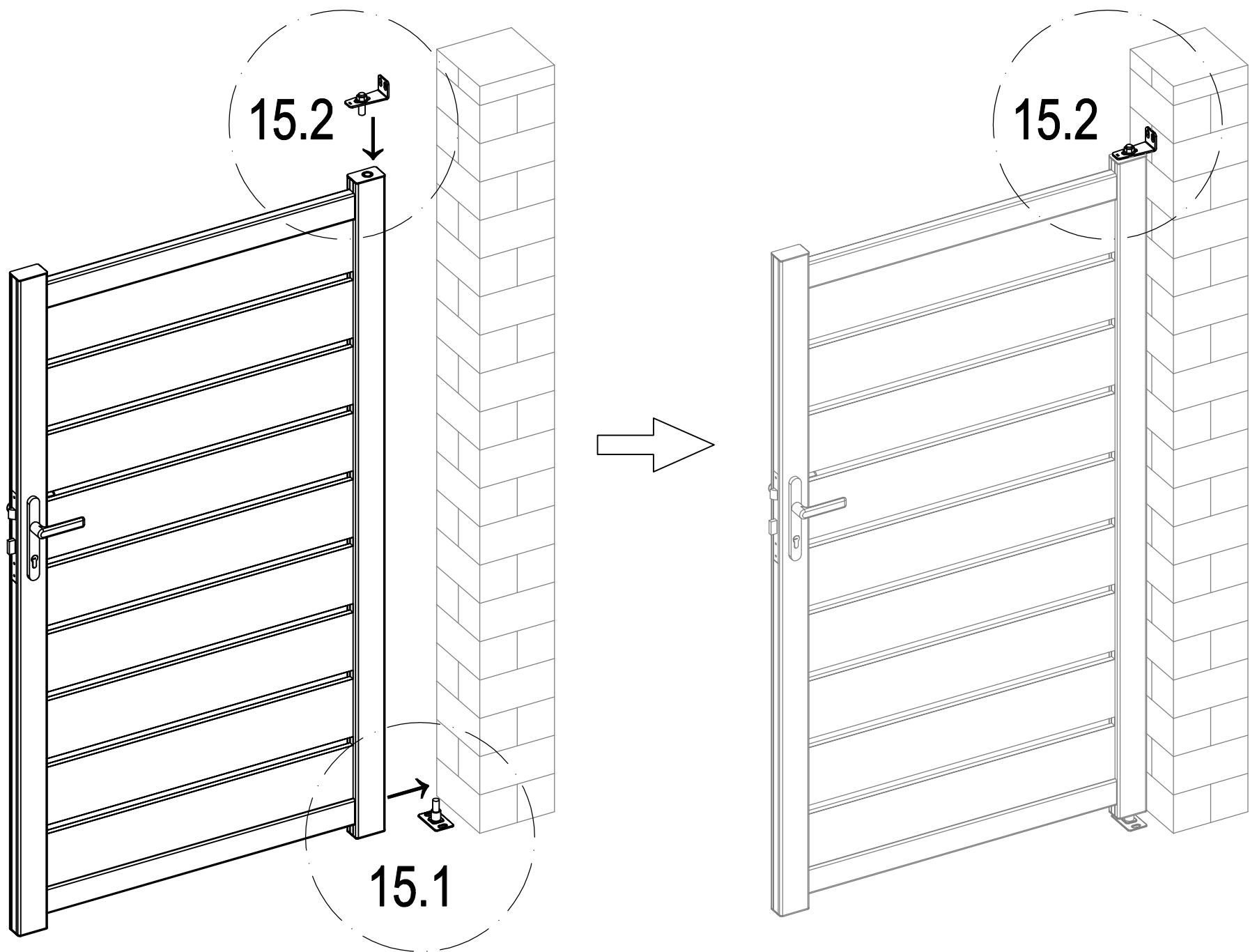


	Dr-23	1
	Dr-26	3

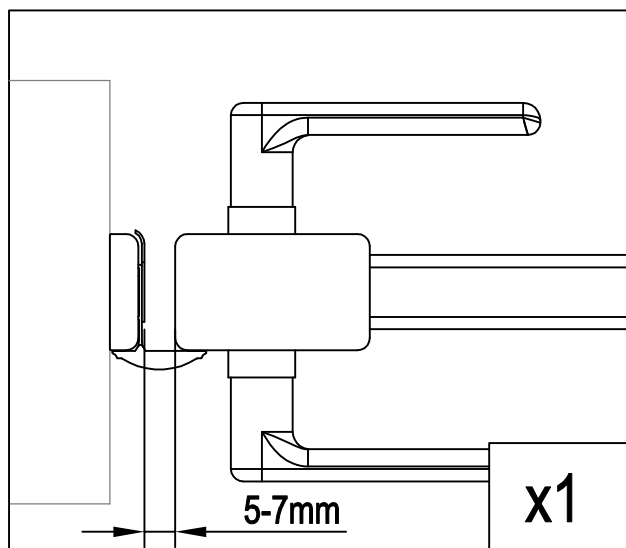
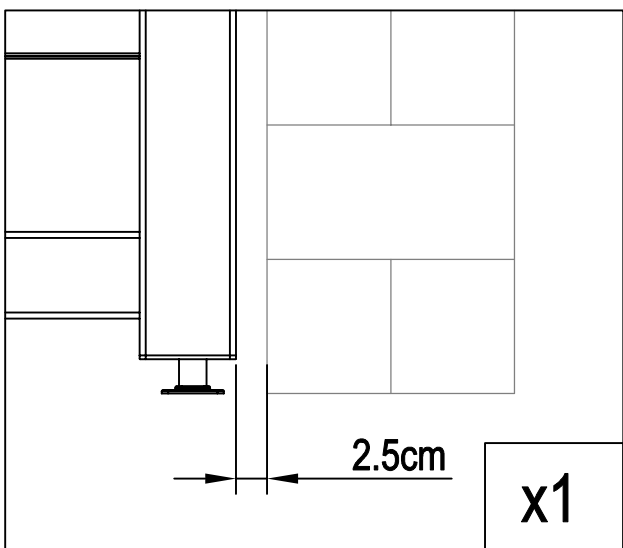
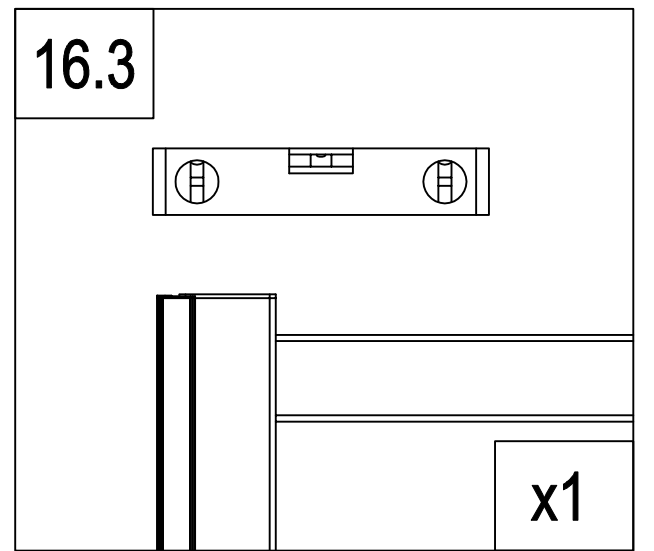
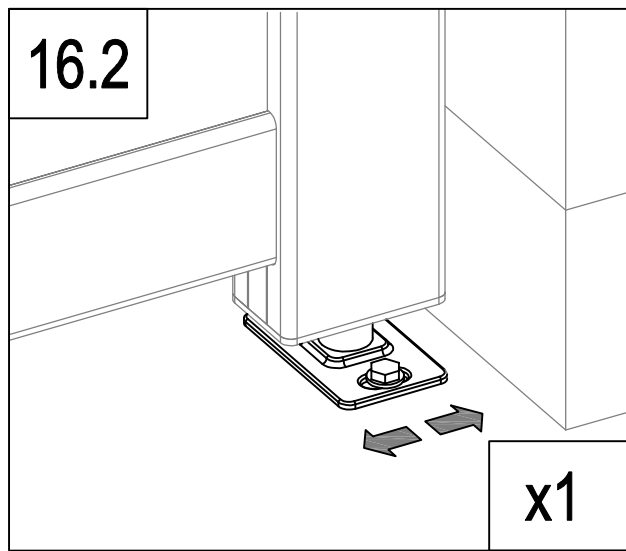
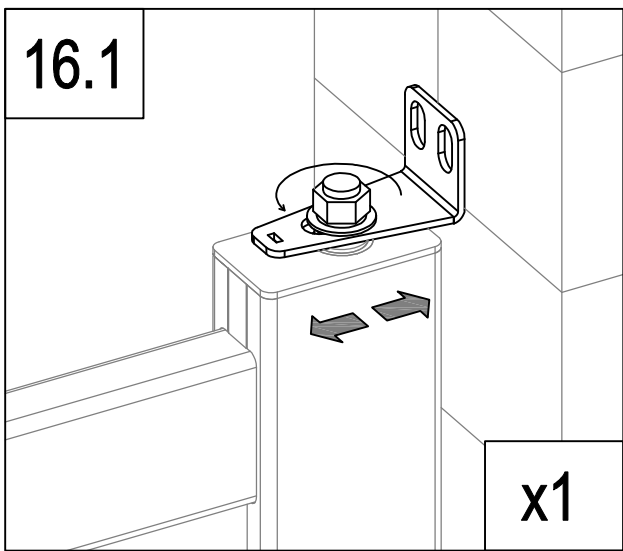
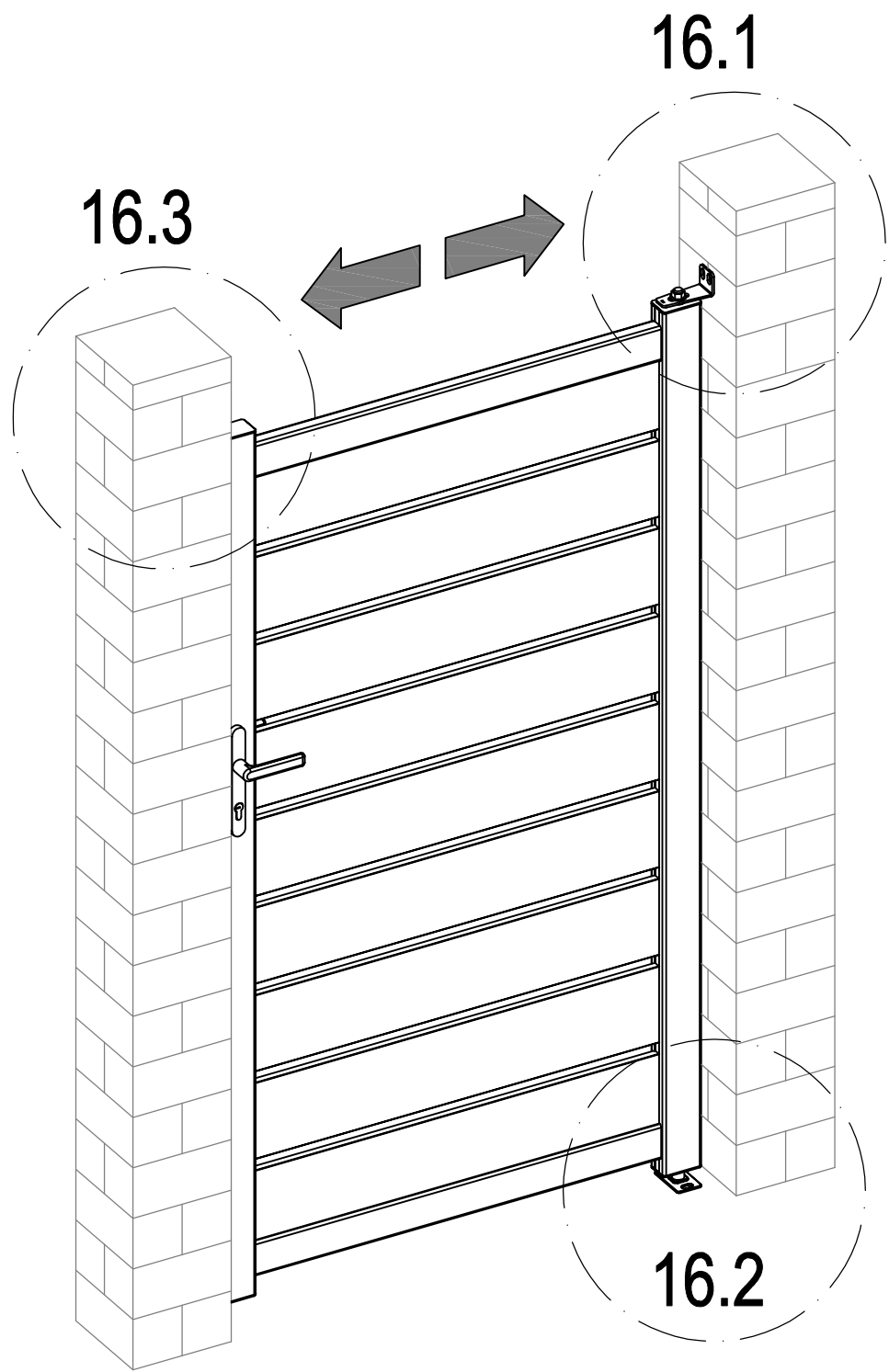


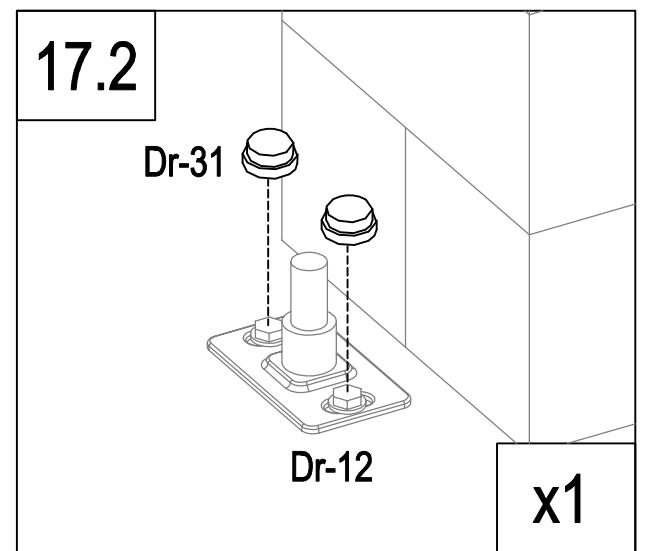
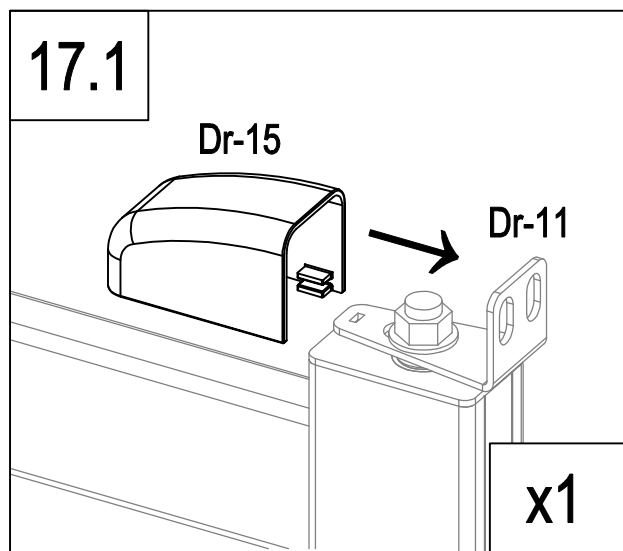
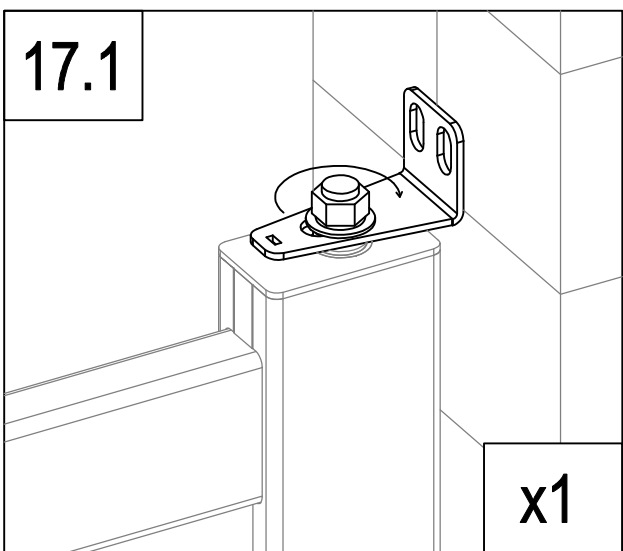
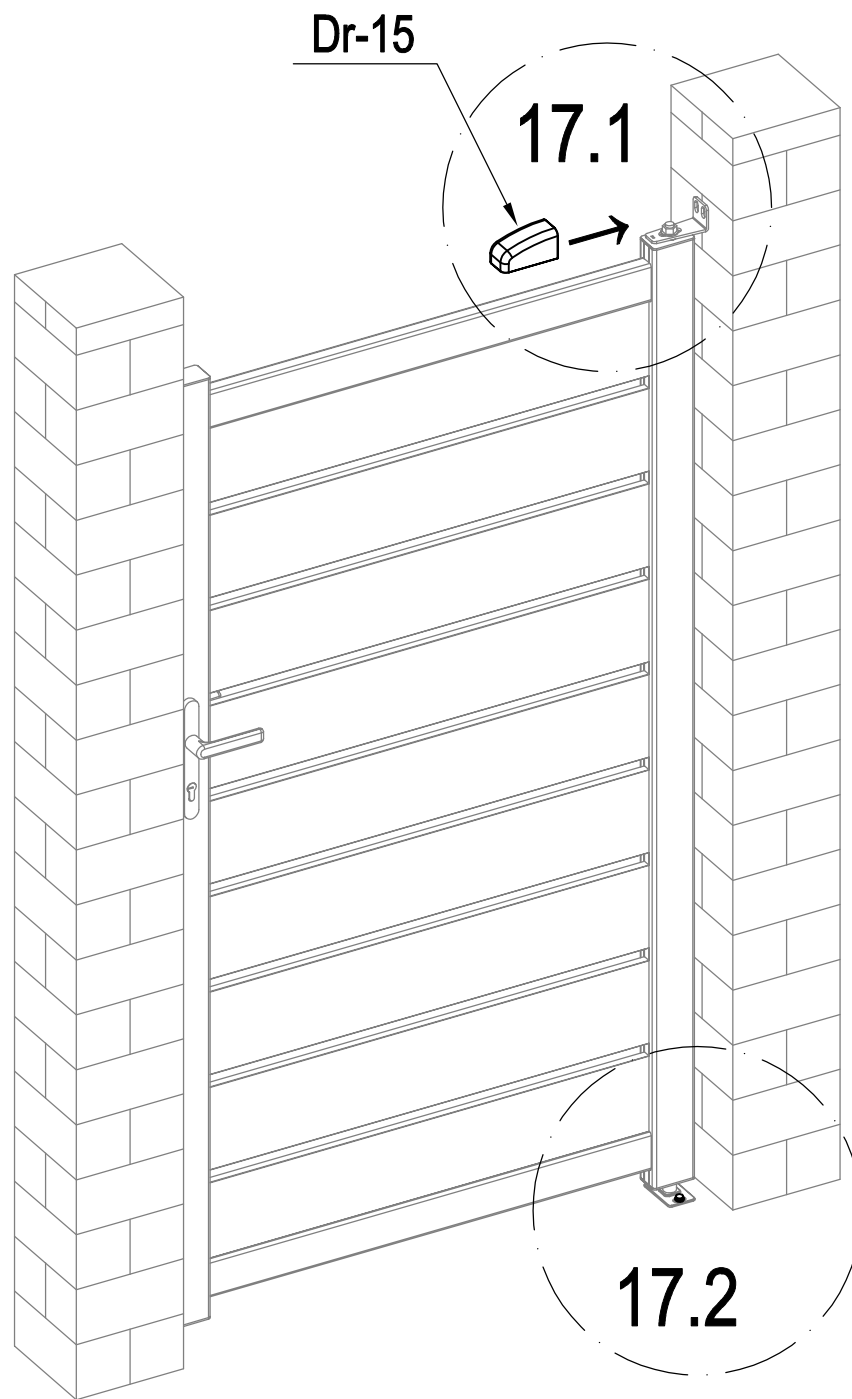
	Dr-12	1
	VT-C32	2

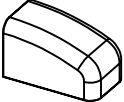



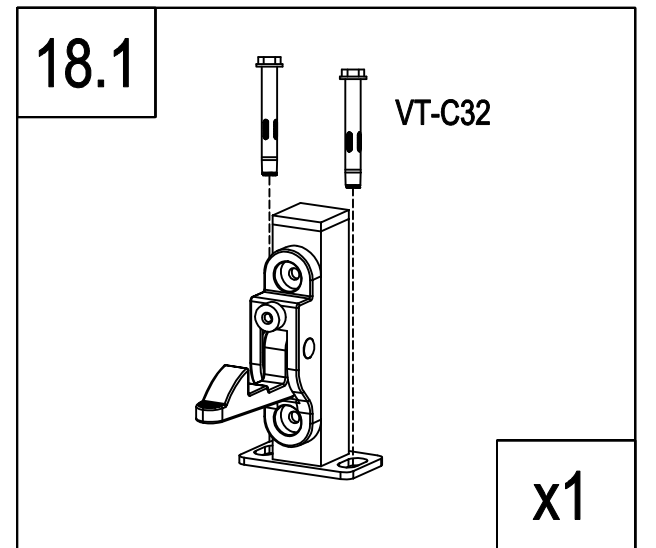
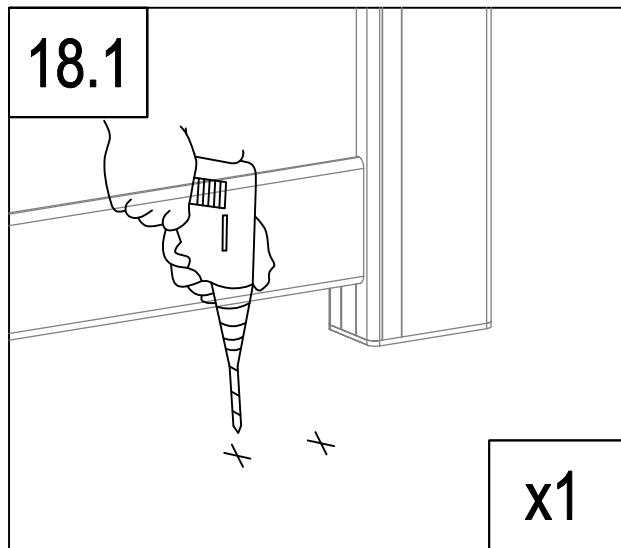
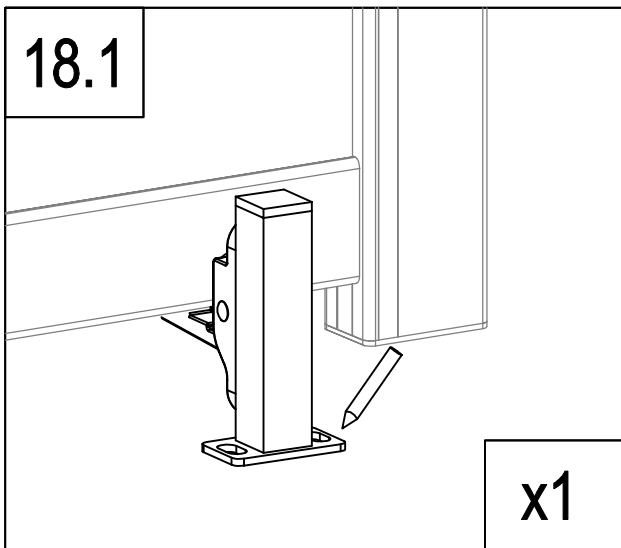
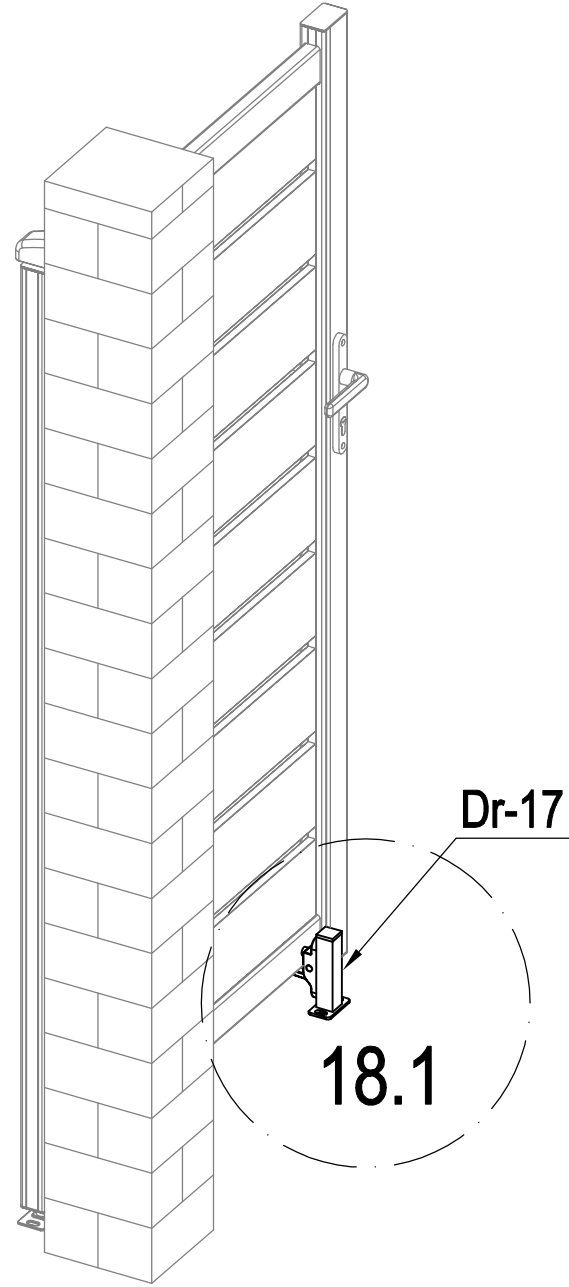
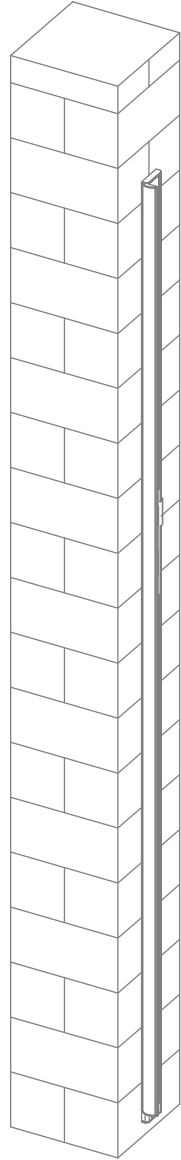


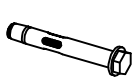
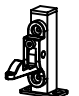
	Dr-11	1
	VT-C32	2





	Dr-15	1
	Dr-31	2



	VT-C32	2
	Dr-17	1