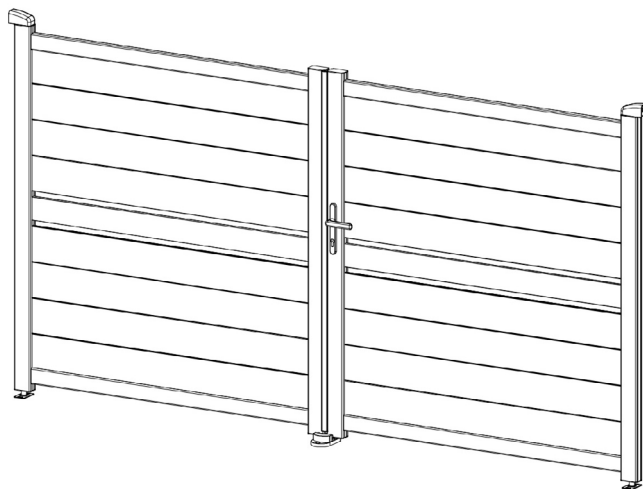


CASANOVO

CIMONE 300B160

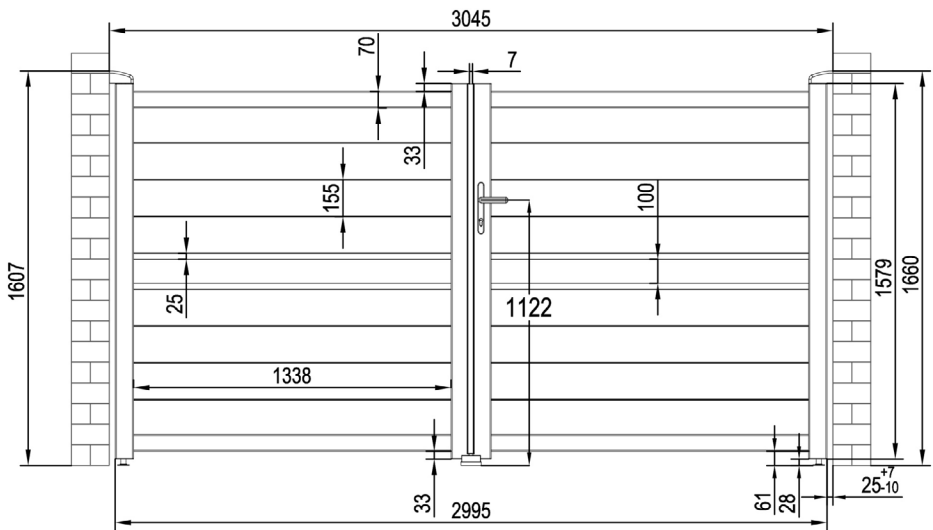


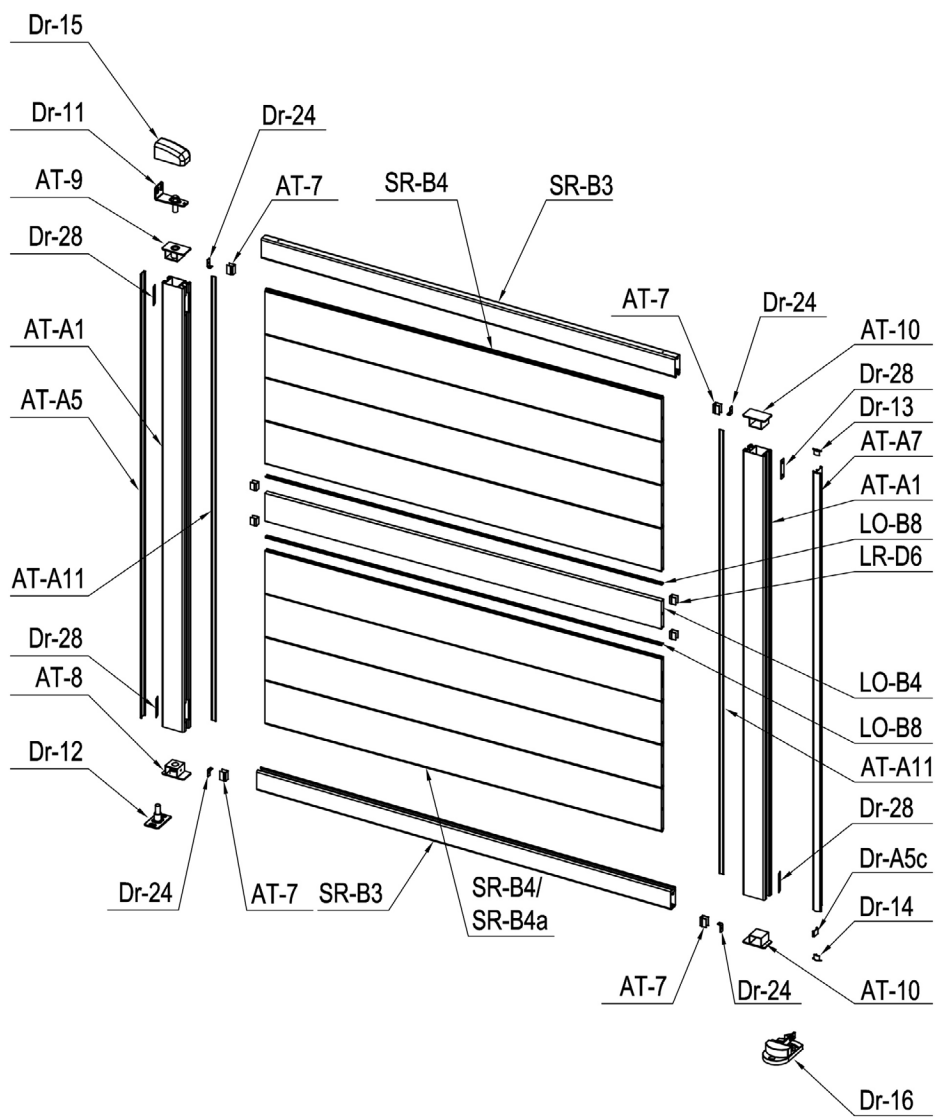
COM-001179 [x1]

COM-001180 [x1]



INSTRUCTION MANUAL / NOTICE DE MONTAGE / MONTAGEANLEITUNG / MANUAL DE MONTAJE / MANUAL DE MONTAGEM / MANUALE DI MONTAGGIO /
MONTAGEHANDLEIDING / INSTRUKCJA MONTAŻU / KÄYTTÖOHJEET / BRUKSANVISNING / BRUGSANVISNING / INSTRUCȚIUNI DE ASAMBLARE /
NAVODILA ZA SESTAVLJANJE / NÁVOD NA MONTÁŽ / ÖSSZESZERELÉSI ÚTMUTATÓ / NÁVOD K MONTÁŽI / UPUTE ZA INSTALACIJU /
ΟΔΗΓΙΕΣ ΣΥΝΑΡΜΟΛΟΓΗΣΗΣ / SURINKIMO INSTRUKCIJOS / MONTĀŽAS INSTRUKCIJAS





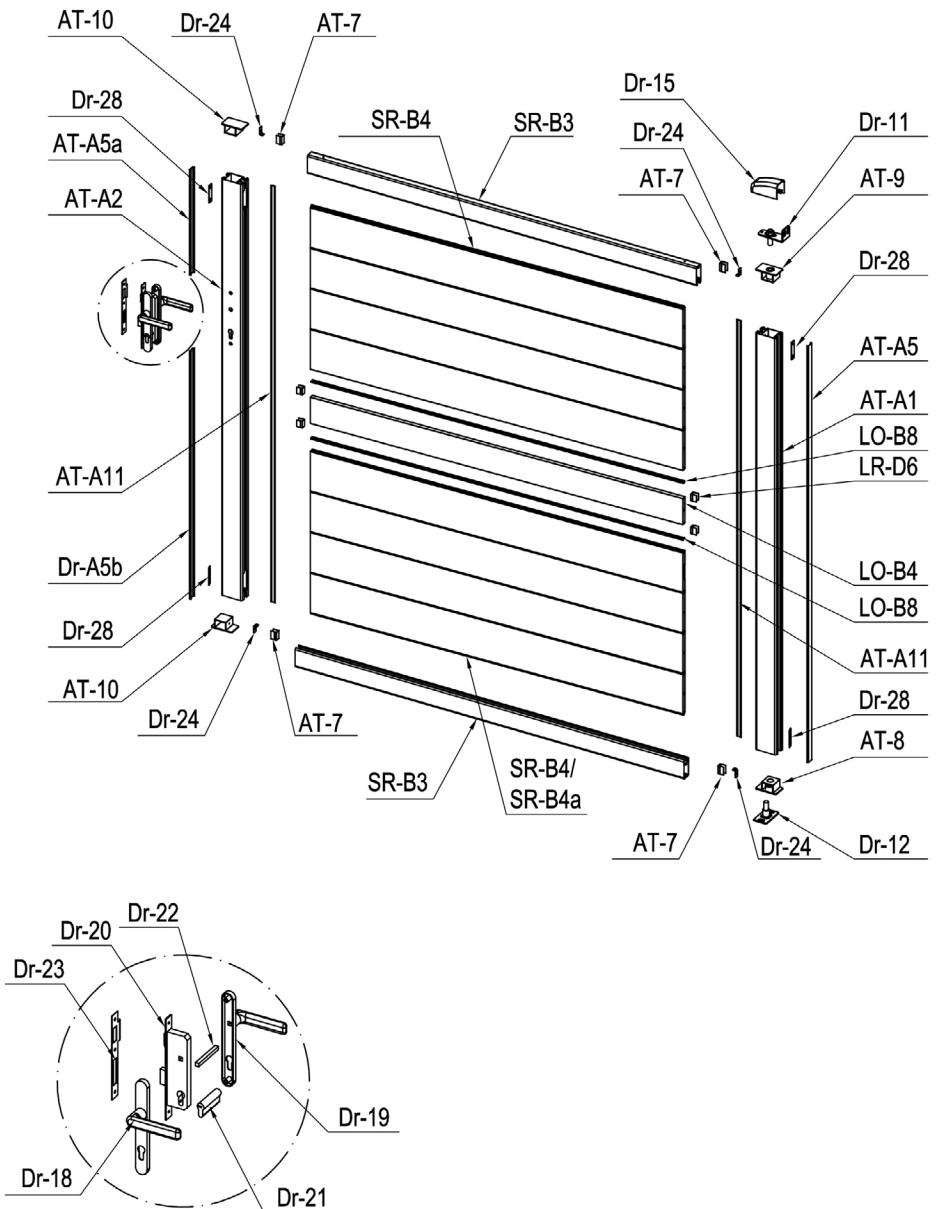
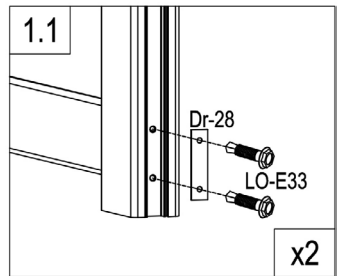
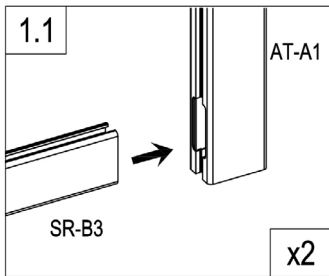
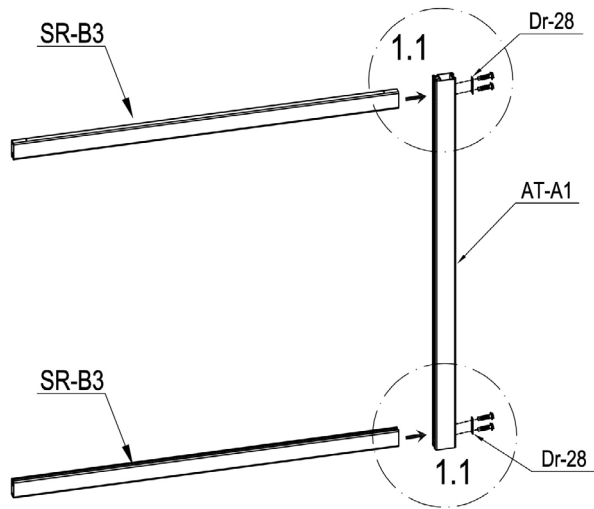
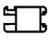



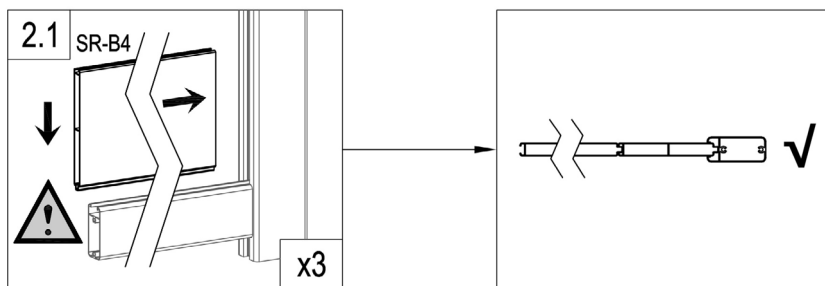
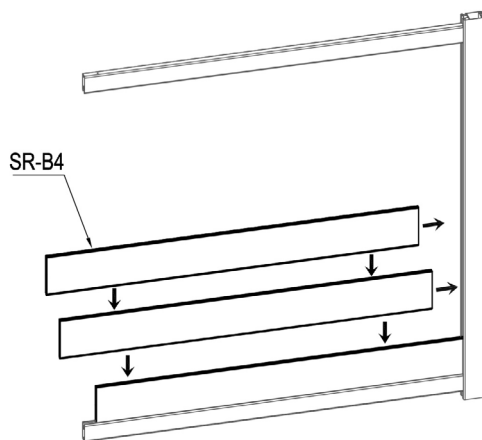
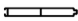


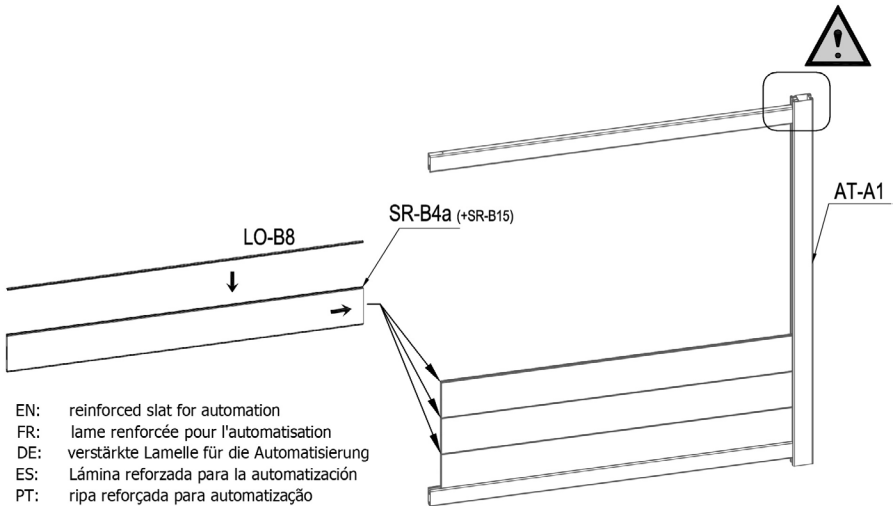
IMAGE	NO.	L.(mm)	QTY	IMAGE	NO.	L.(mm)	QTY
	AT-A1	1573	3		Dr-15		2
	AT-A2	1573	1		Dr-16		1
	SR-B3	1471	4		Dr-17		2
	SR-B4a (+SR-B15)	1380	2		Dr-31		4
	SR-B4	1380	14		Dr-18		1
	LO-B4	1380	2		Dr-19		1
	AT-A5	1573	2		Dr-20		1
	AT-A5a	395.5	1		Dr-21		1
	Dr-A5b	937	1		Dr-22		1
	Dr-A5c	19.5	1		Dr-23		1
	AT-A11	1573	4		Dr-25		1
	AT-7	29.5	8		Dr-25a		2
	LR-D6	25	8		Dr-26		3
	LO-B8	1379	4		Dr-27		2
	AT-A7	1553	1		Dr-24		8
	AT-8		2		Dr-28		8
	AT-9		2		LO-E30	ST4x10	8
	AT-10		4		LO-E31	ST4.2x13	8
	Dr-11		2		LO-E32	M8x60	12
	Dr-12		2		LO-E33	ST5.5x38	16
	Dr-13		1		LO-E34	ST6x40	3
	Dr-14		1		LO-E35	Ø6	3
					LO-E36	ST4.8x38	68



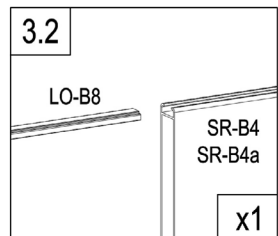
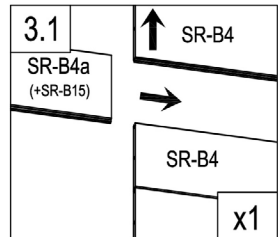
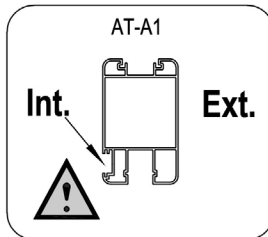
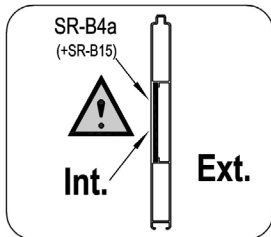
	AT-A1	1
	SR-B3	2
	Dr-28	2
	LO-E33	4





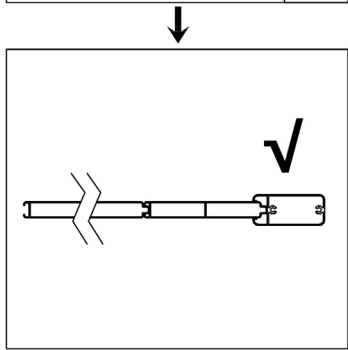
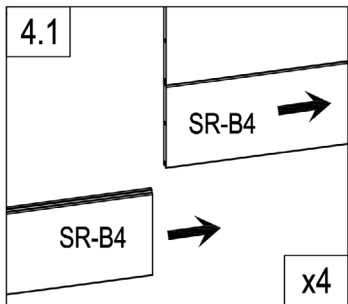
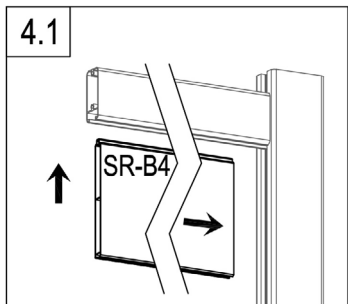
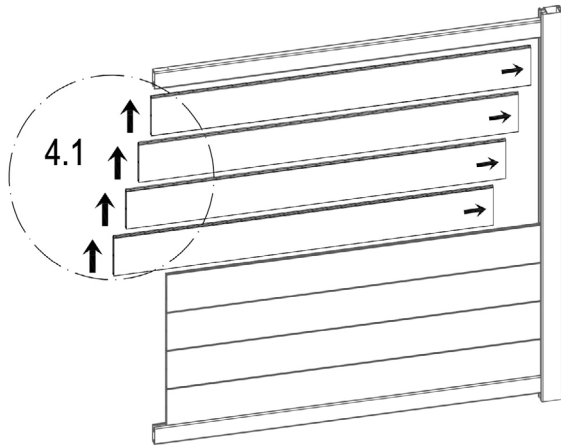
	SR-B4	3
---	-------	---

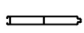


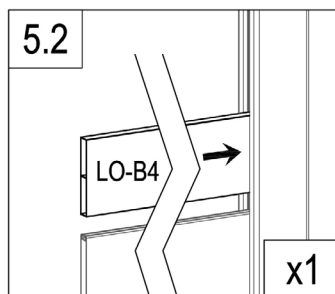
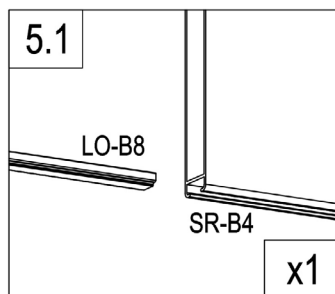
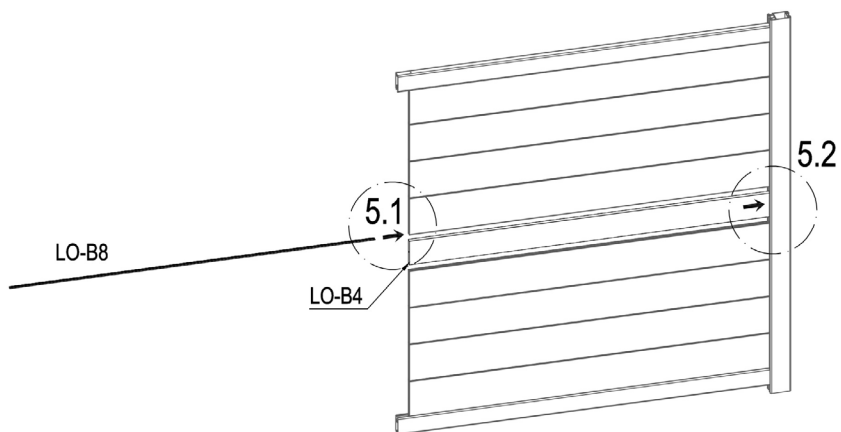
- EN: reinforced slat for automation
- FR: lame renforcée pour l'automatisation
- DE: verstärkte Lamelle für die Automatisierung
- ES: Lámina reforzada para la automatización
- PT: ripa reforçada para automatização
- IT: lamella rinforzata per l'automazione
- NL: versterkte lat voor automatisering
- PL: wzmocniona listwa do automatyzacji


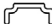


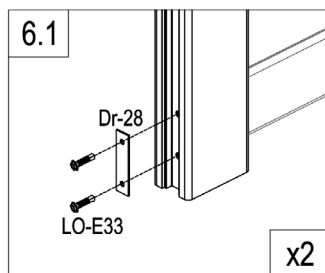
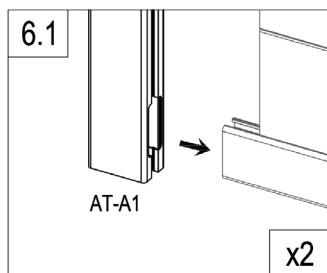
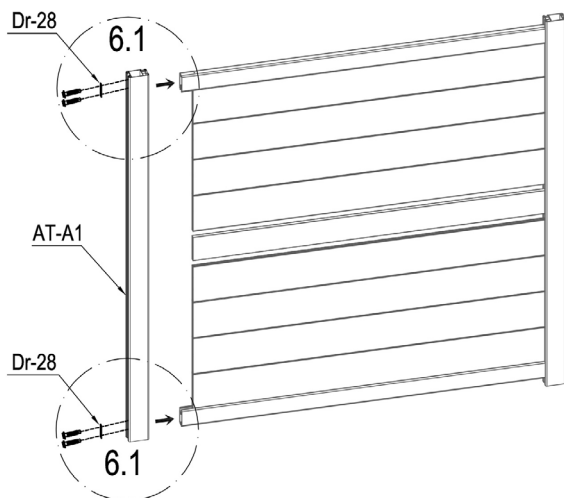
	LO-B8	1
	SR-B4a (+SR-B15)	1

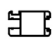




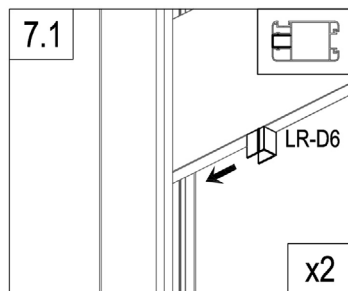
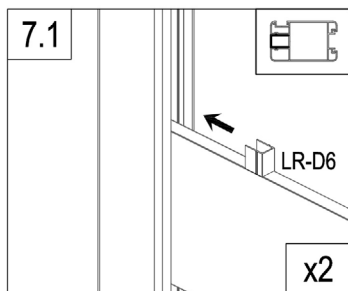
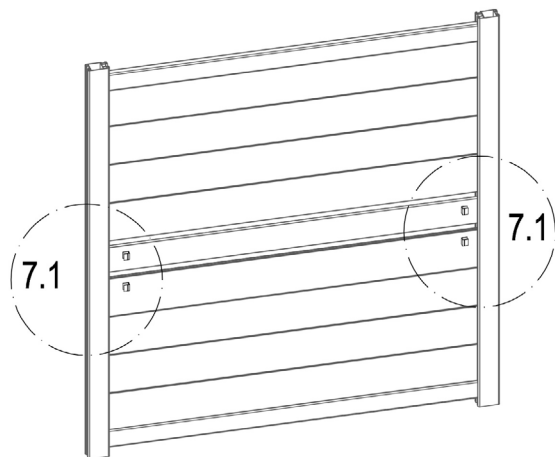
	SR-B4	4
---	-------	---




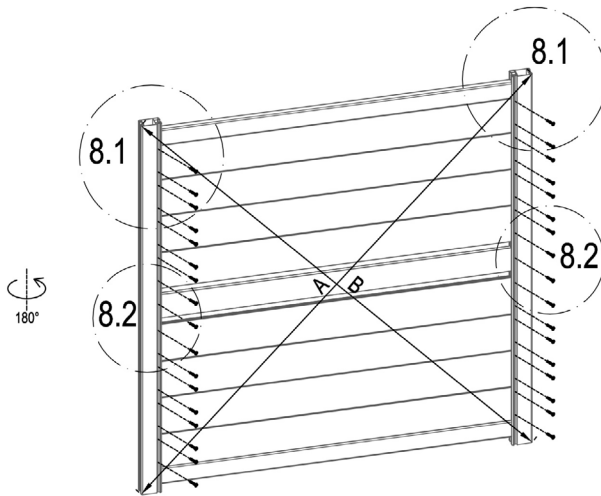
	LO-B4	1
	LO-B8	1



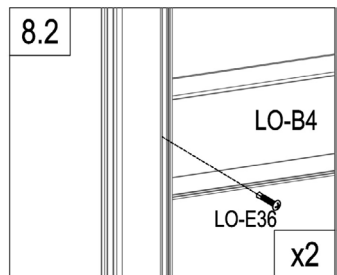
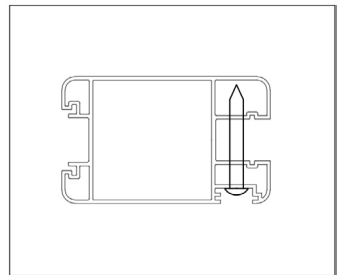
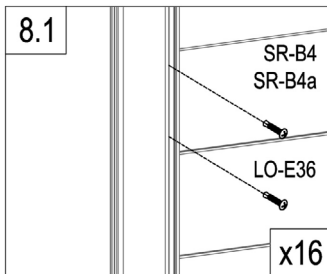
	AT-A1	1
	Dr-28	2
	LO-E33	4




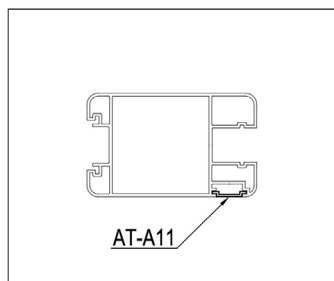
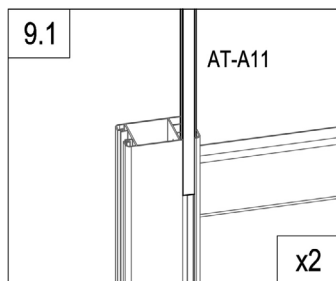
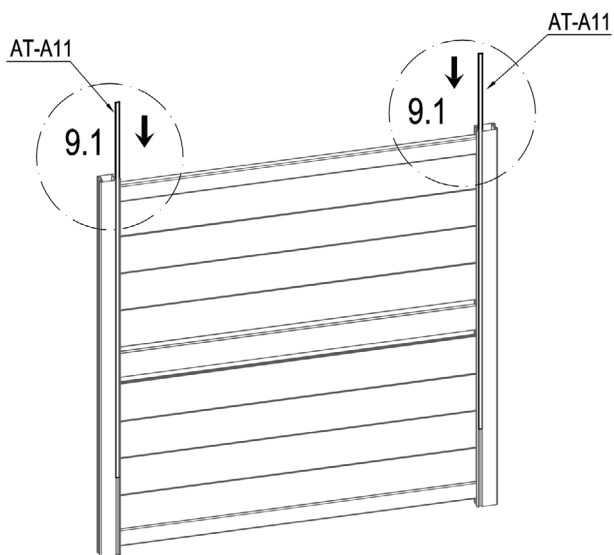
	LR-D6	4
---	-------	---




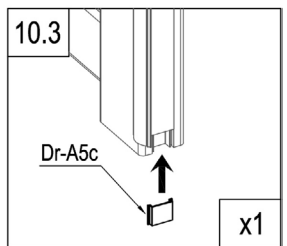
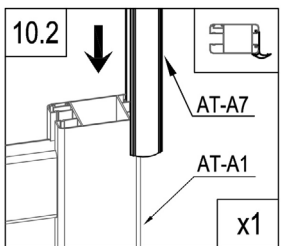
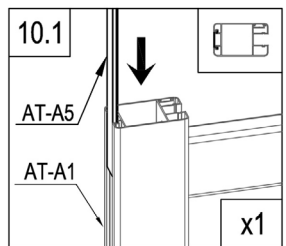
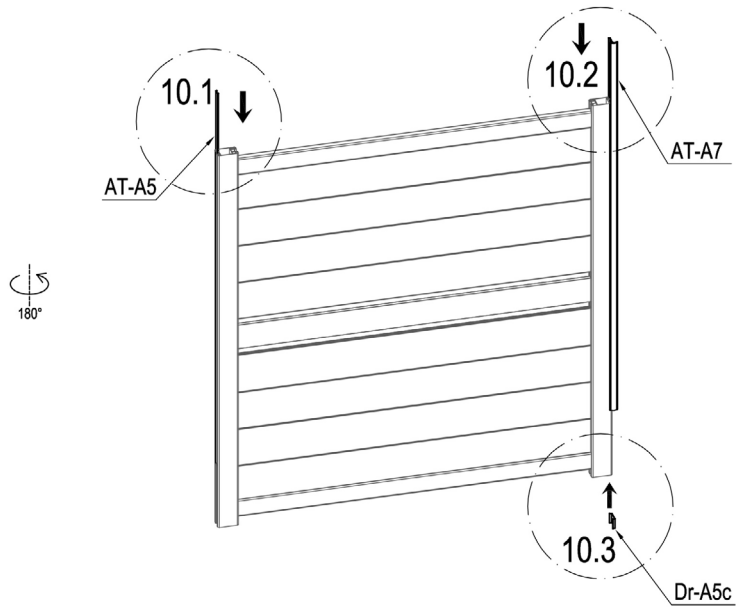
A=B



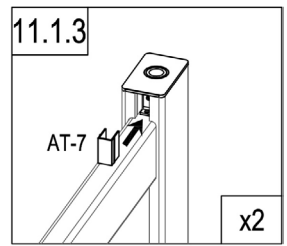
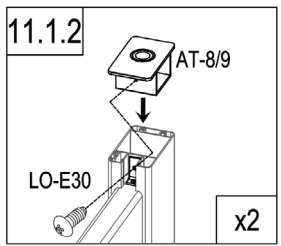
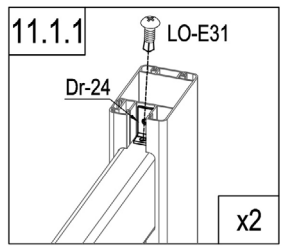
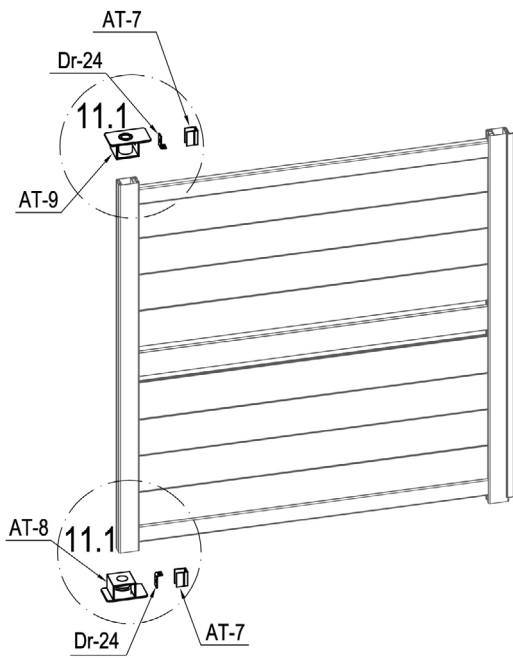
	LO-E36	34
---	--------	----



	AT-A11	2
---	--------	---

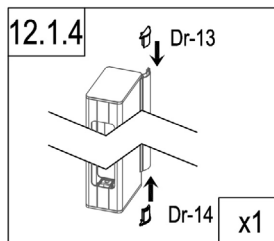
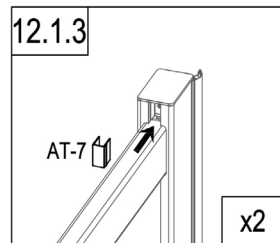
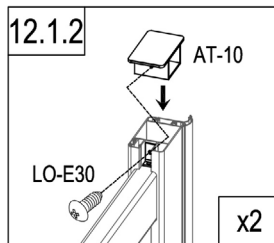
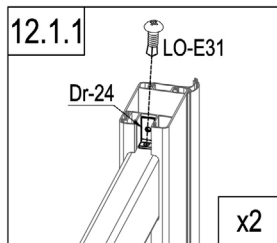
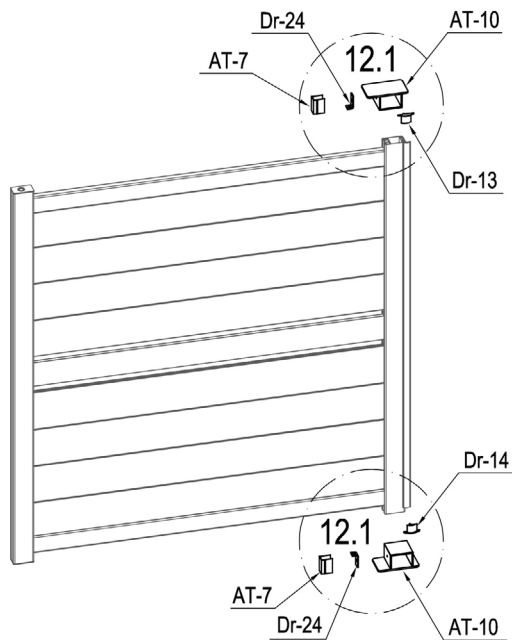


	AT-A5	1
	Dr-A5c	1
	AT-A7	1



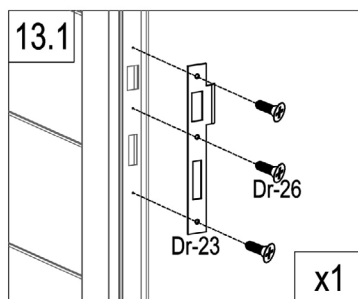
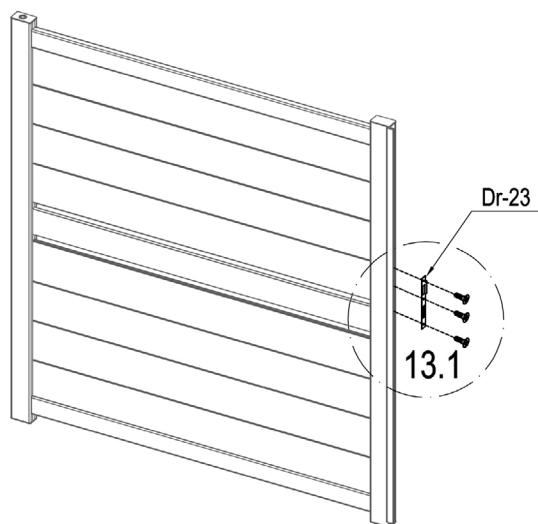
	AT-8	1
	AT-9	1
	Dr-24	2



	AT-7	2
	LO-E30	2
	LO-E31	2

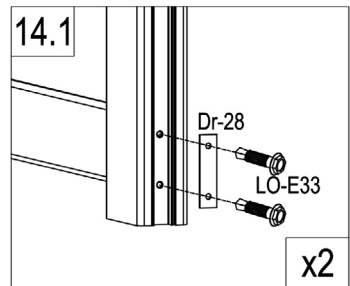
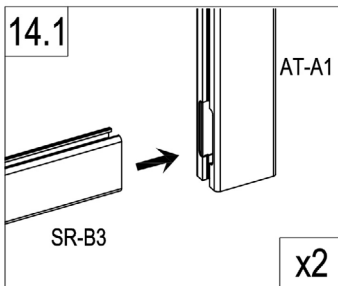
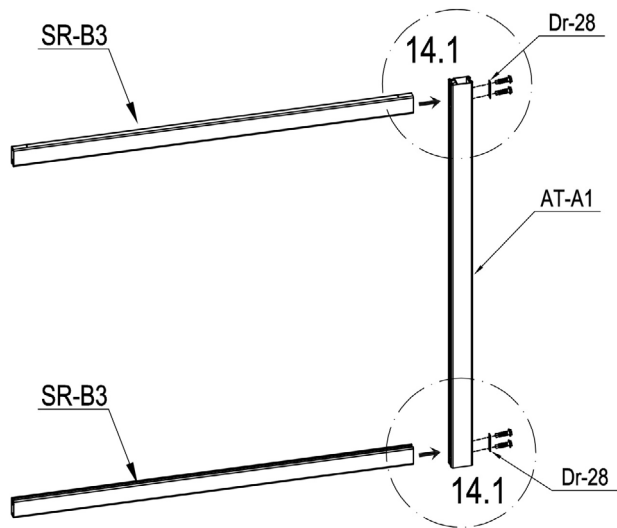


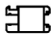
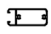


	AT-10	2
	Dr-24	2
	AT-7	2
	Dr-13	1

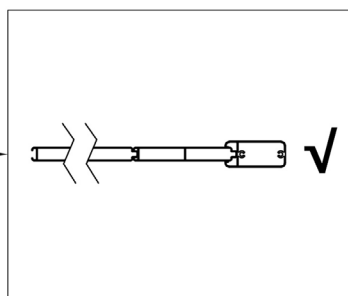
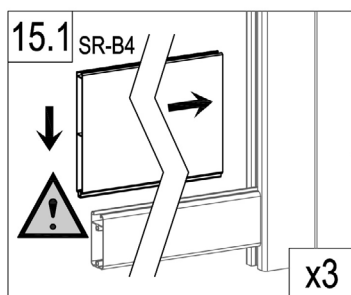
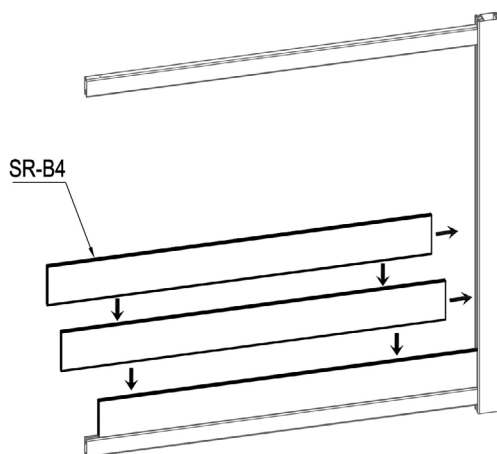
	Dr-14	1
	LO-E30	2
	LO-E31	2

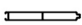


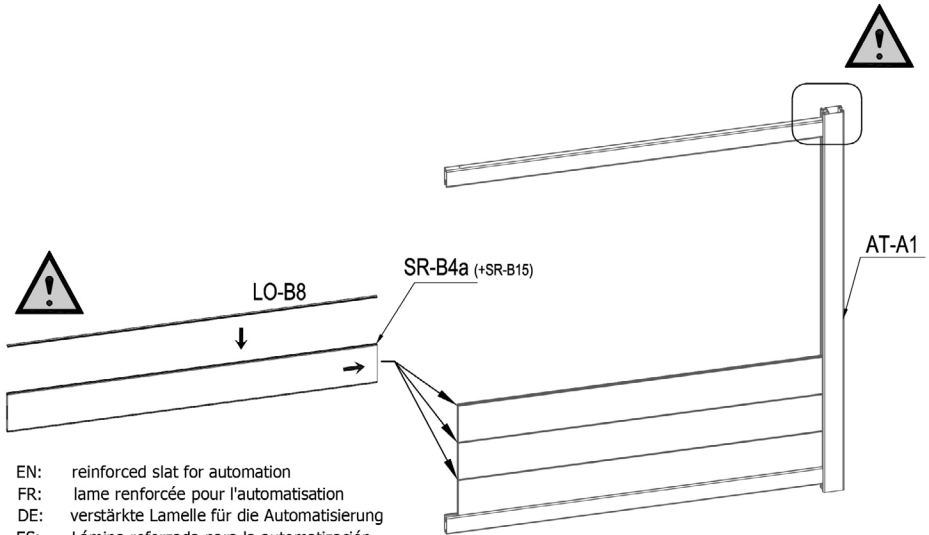
	Dr-23	1
	Dr-26	3



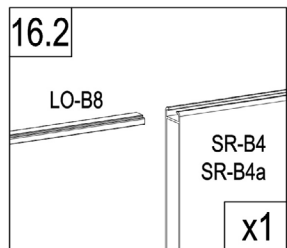
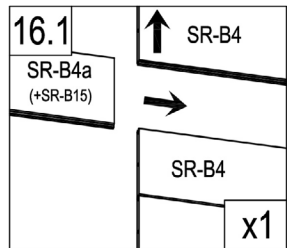
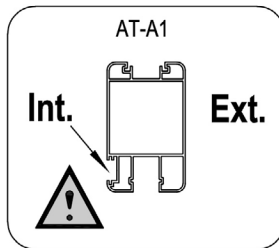
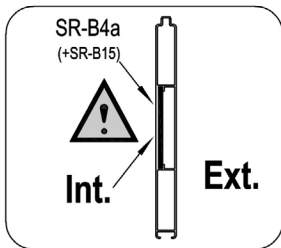
	AT-A1	1
	SR-B3	2
	Dr-28	2
	LO-E33	4





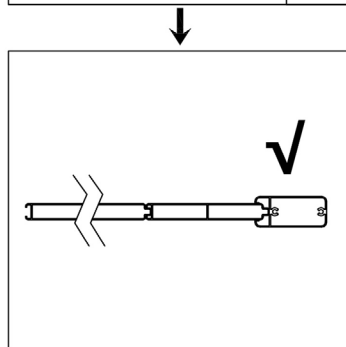
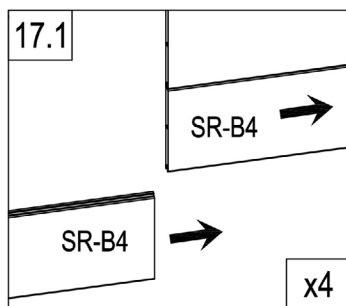
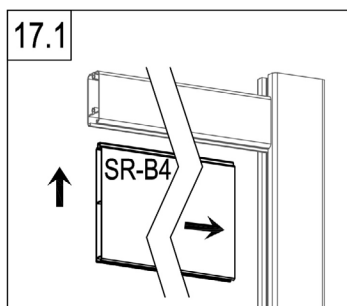
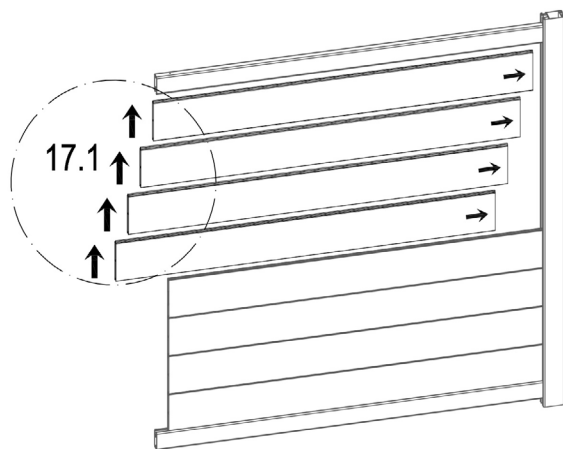
	SR-B4	3
---	-------	---




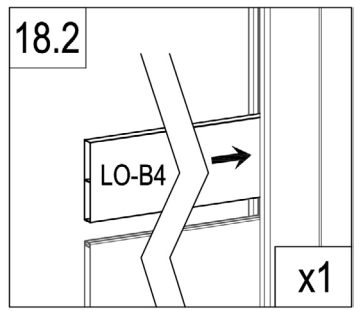
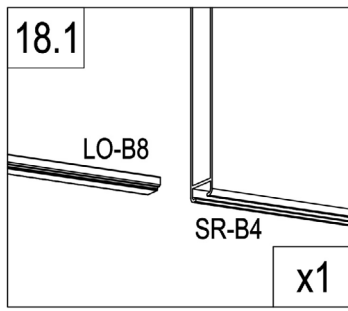
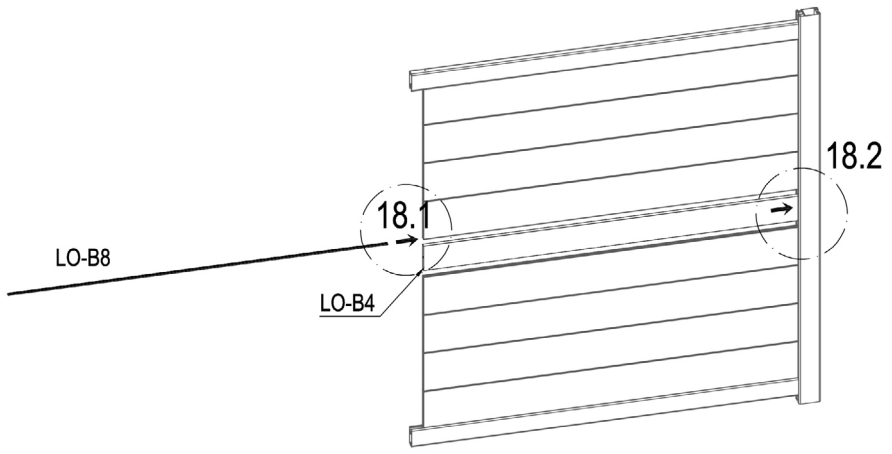
- EN: reinforced slat for automation
- FR: lame renforcée pour l'automatisation
- DE: verstärkte Lamelle für die Automatisierung
- ES: Lámina reforzada para la automatización
- PT: ripa reforçada para automatização
- IT: lamella rinforzata per l'automazione
- NL: versterkte lat voor automatisering
- PL: wzmocniona listwa do automatyzacji





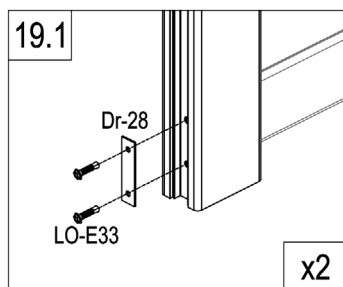
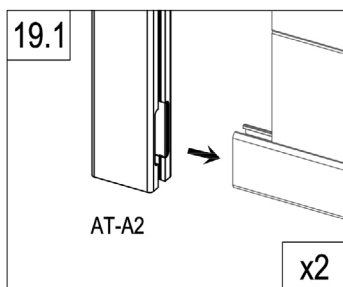
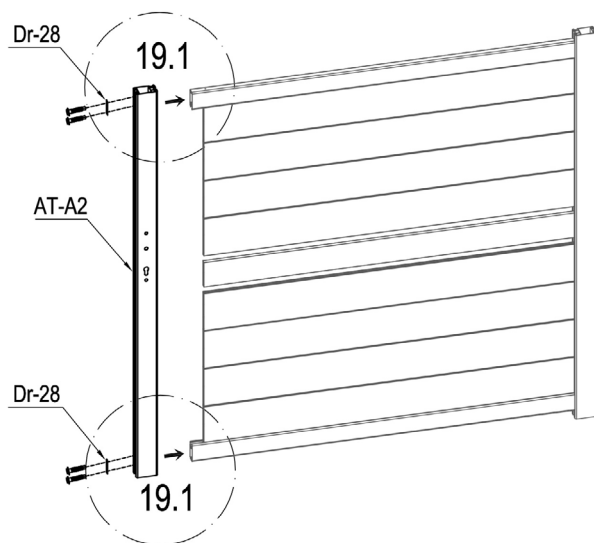
	LO-B8	1
	SR-B4a (+SR-B15)	1

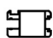




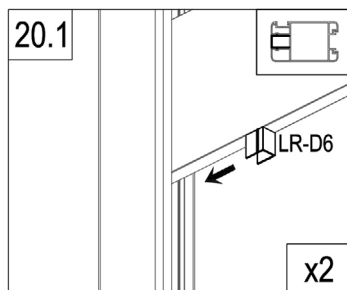
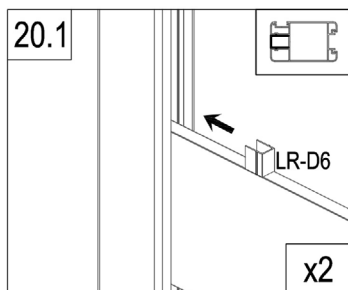
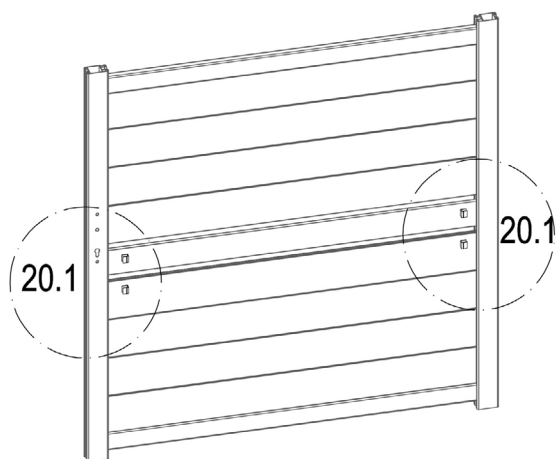
	SR-B4	4
---	-------	---




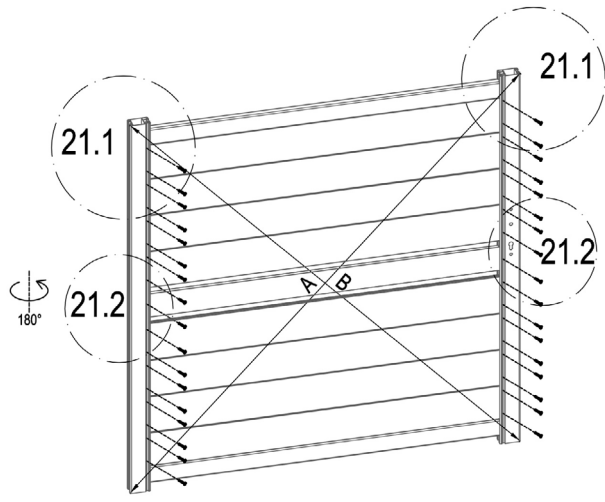
	LO-B4	1
	LO-B8	1



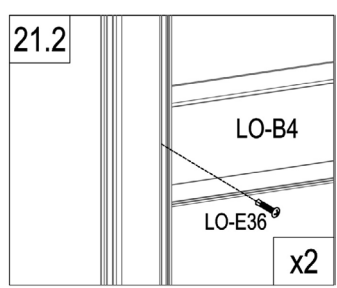
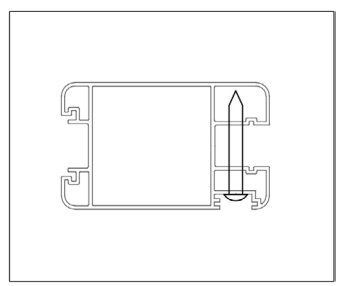
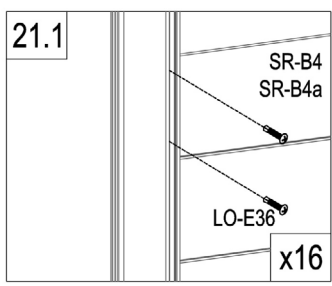
	AT-A2	1
	Dr-28	2
	LO-E33	4




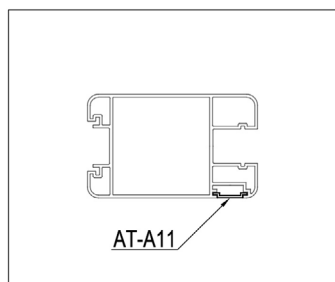
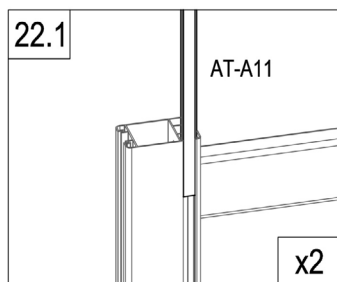
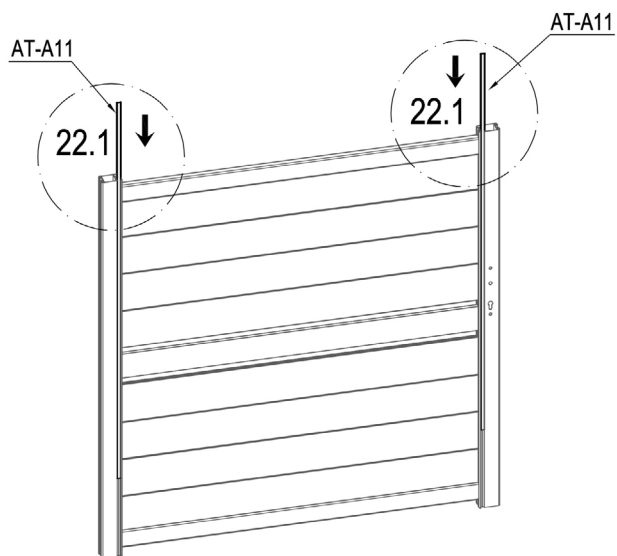
	LR-D6	4
---	-------	---




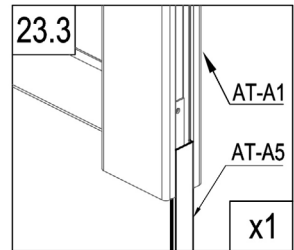
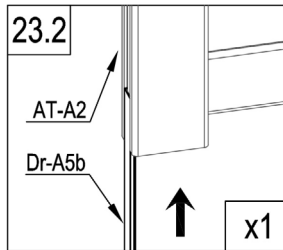
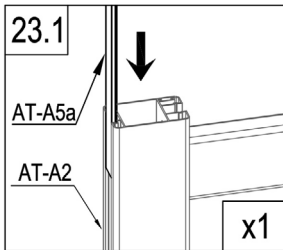
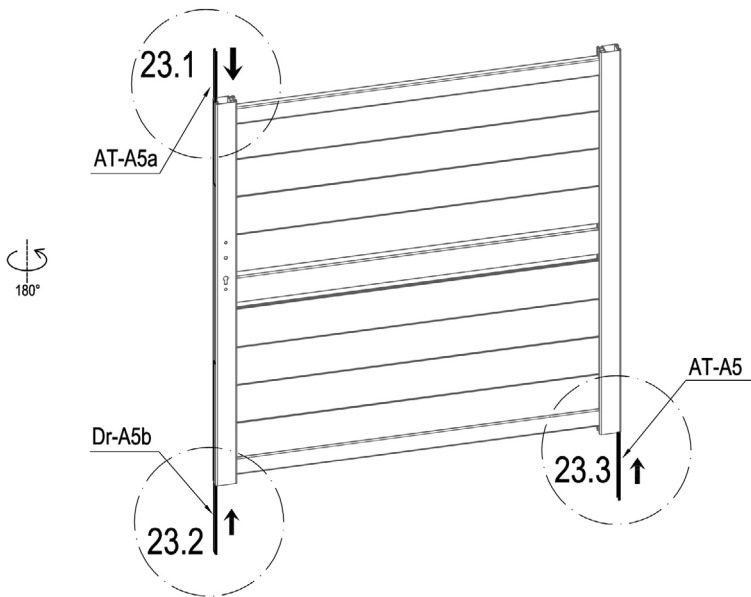
A=B




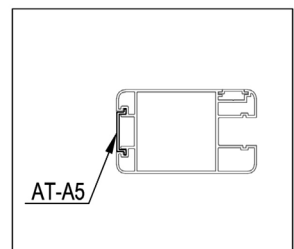
	LO-E36	34
---	--------	----

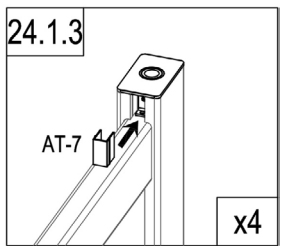
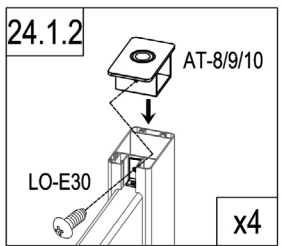
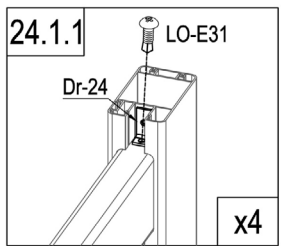
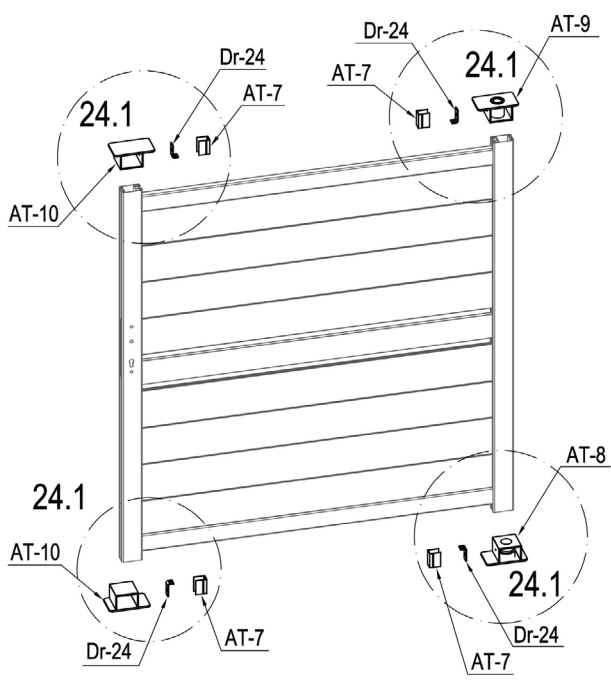


	AT-A11	2
---	--------	---



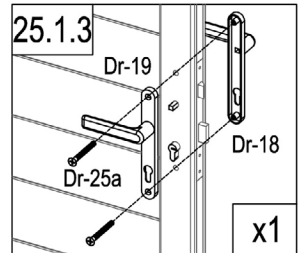
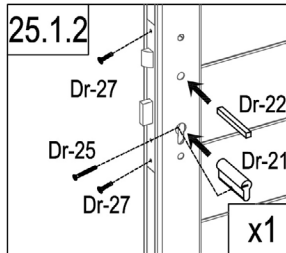
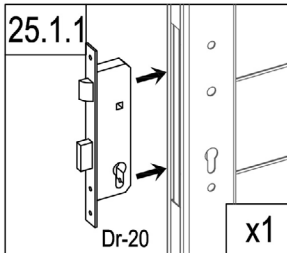
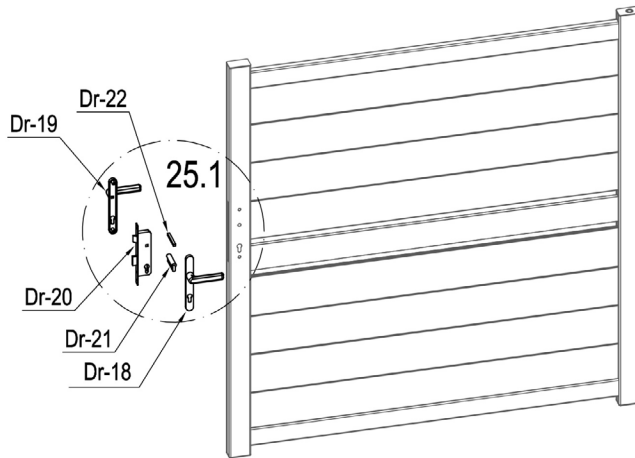
	AT-A5	1
	AT-A5a	1
	Dr-A5b	1













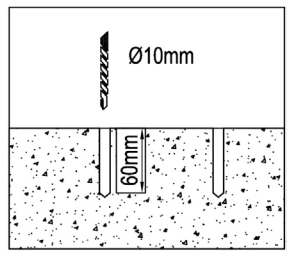
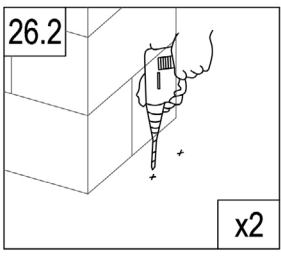
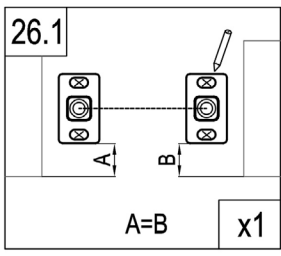
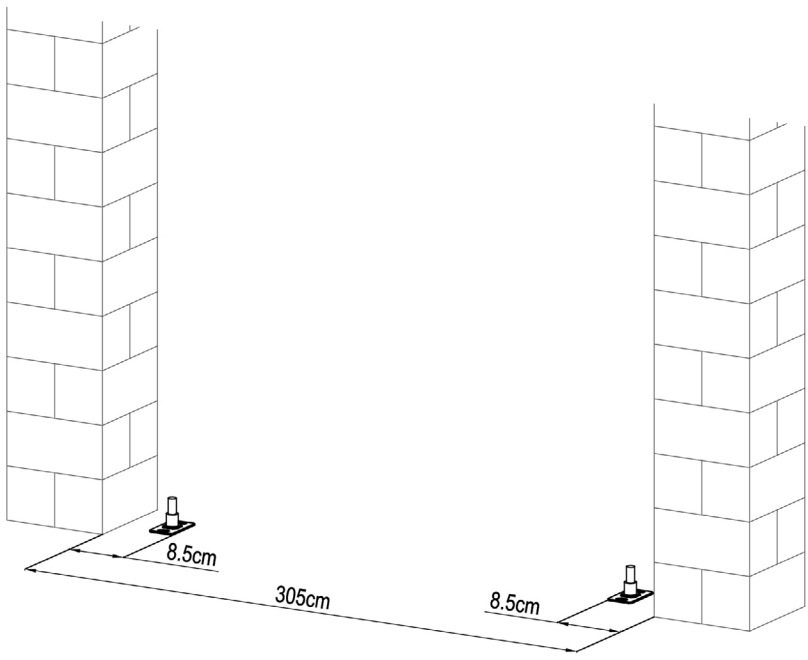
	AT-8	1
	AT-9	1
	AT-10	2
	Dr-24	4

	AT-7	4
	LO-E30	4
	LO-E31	4

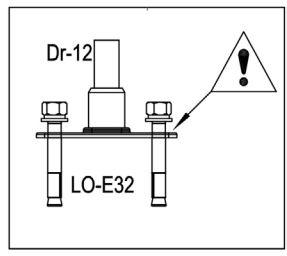
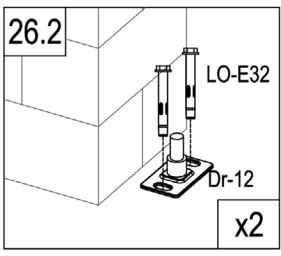


	Dr-20	1
	Dr-21	1
	Dr-22	1
	Dr-25	1

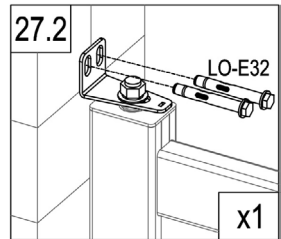
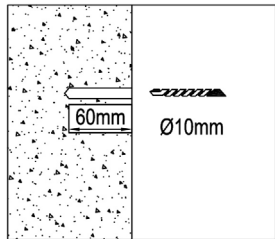
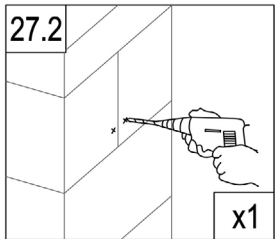
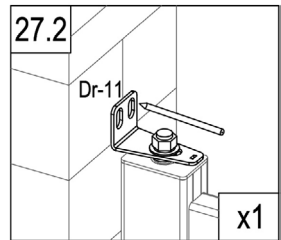
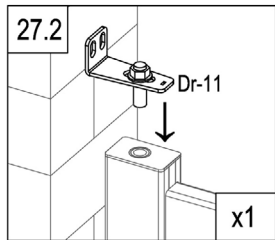
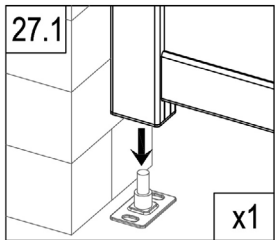
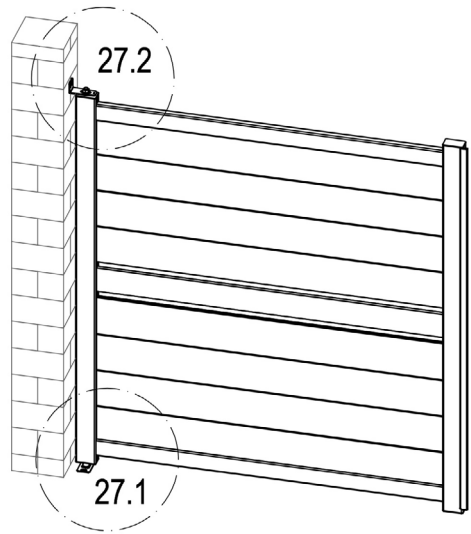
	Dr-18	1
	Dr-19	1
	Dr-25a	2
	Dr-27	2





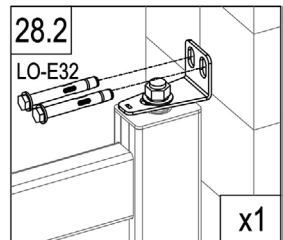
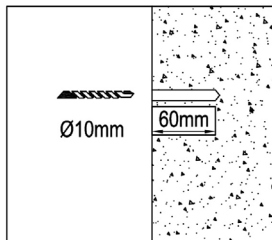
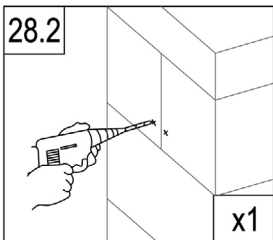
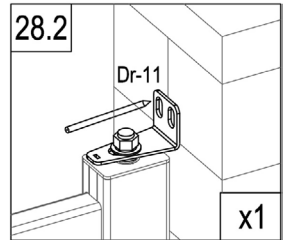
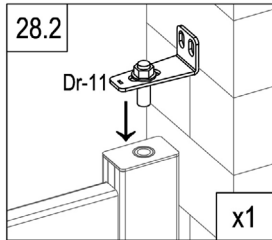
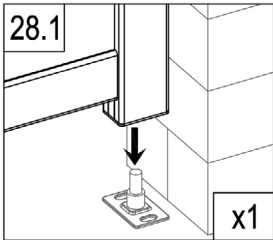
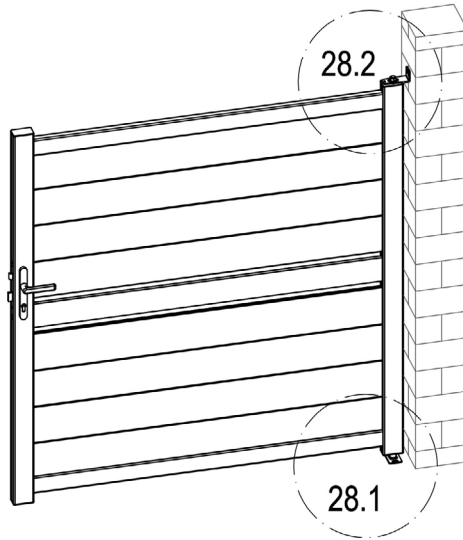
	Dr-12	2
	LO-E32	4





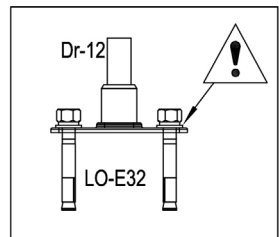
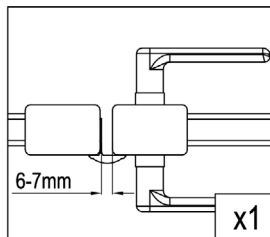
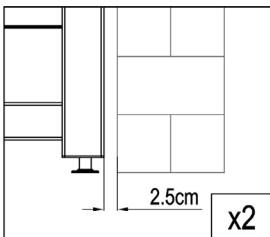
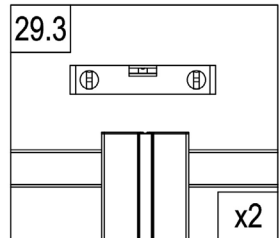
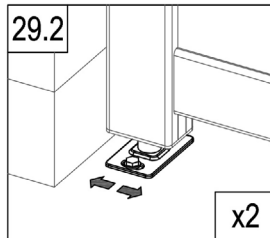
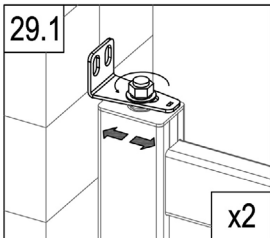
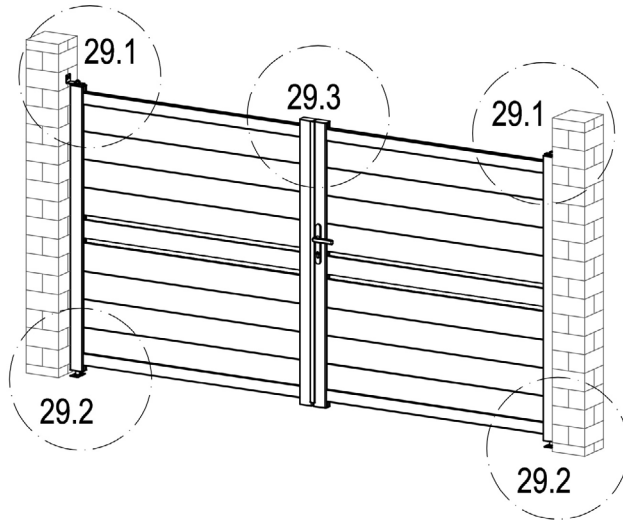
CASANOVO

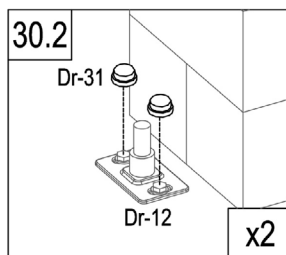
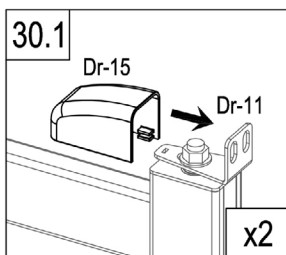
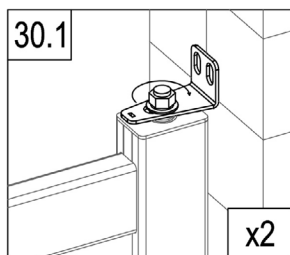
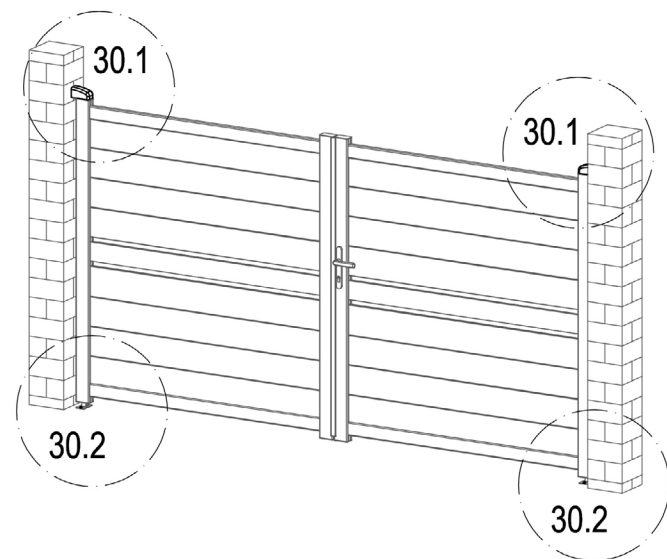




	Dr-11	1
	LO-E32	2

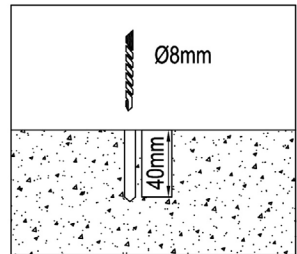
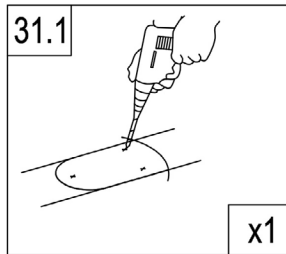
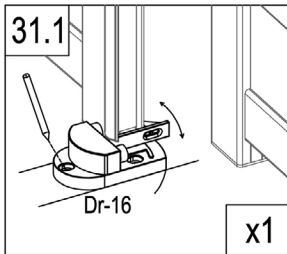
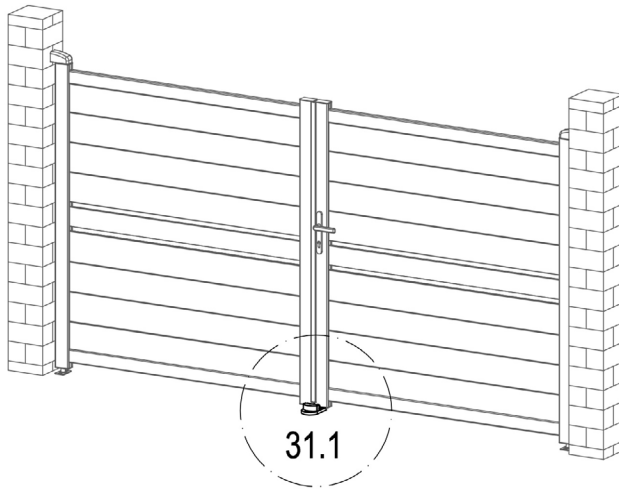



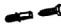

	Dr-11	1
	LO-E32	2

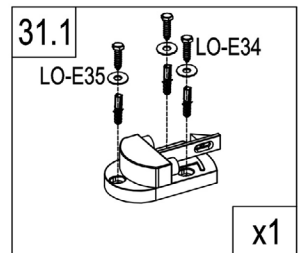


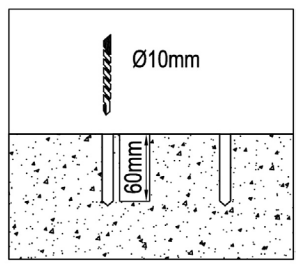
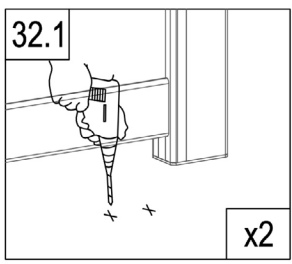
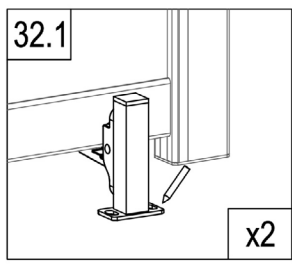
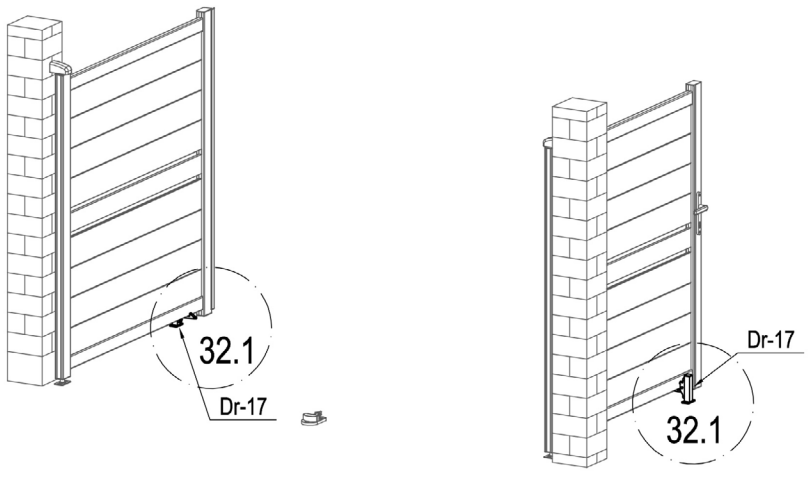




	Dr-15	2
	Dr-31	4



	Dr-16	1
	LO-E34	3
	LO-E35	3





	LO-E32	4
	Dr-17	2

