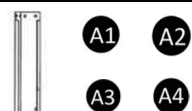
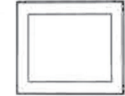









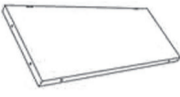





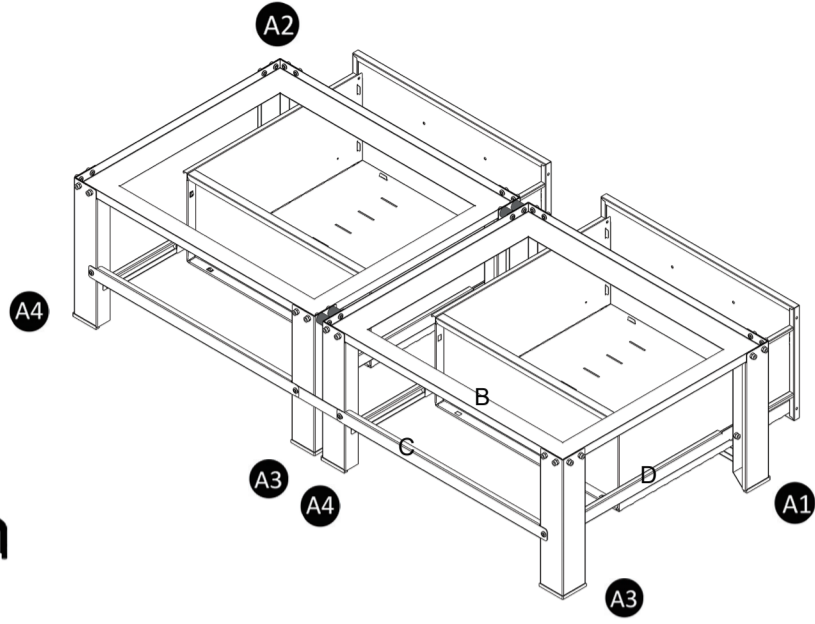
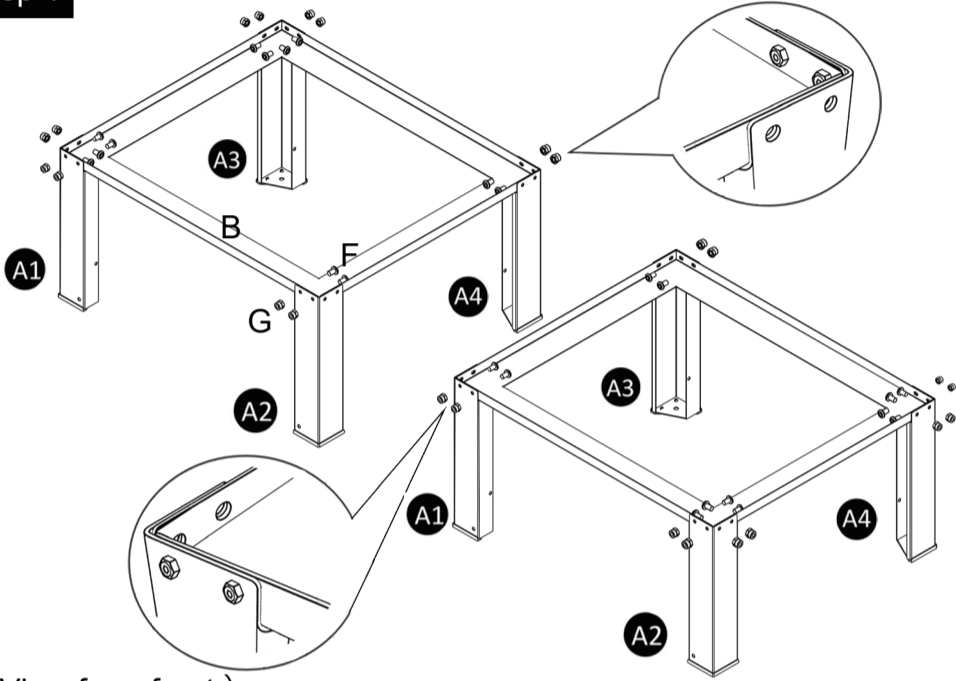


Code	Parts	Quantity
A	 A1 A2 A3 A4	8
B		2
C		4
D		4
E		4
F		36
G		44
H		2
I		2

Code	Parts	Quantity
J		4
K		2
L		2
M		8
N		1
O		2
P		4
Q		4

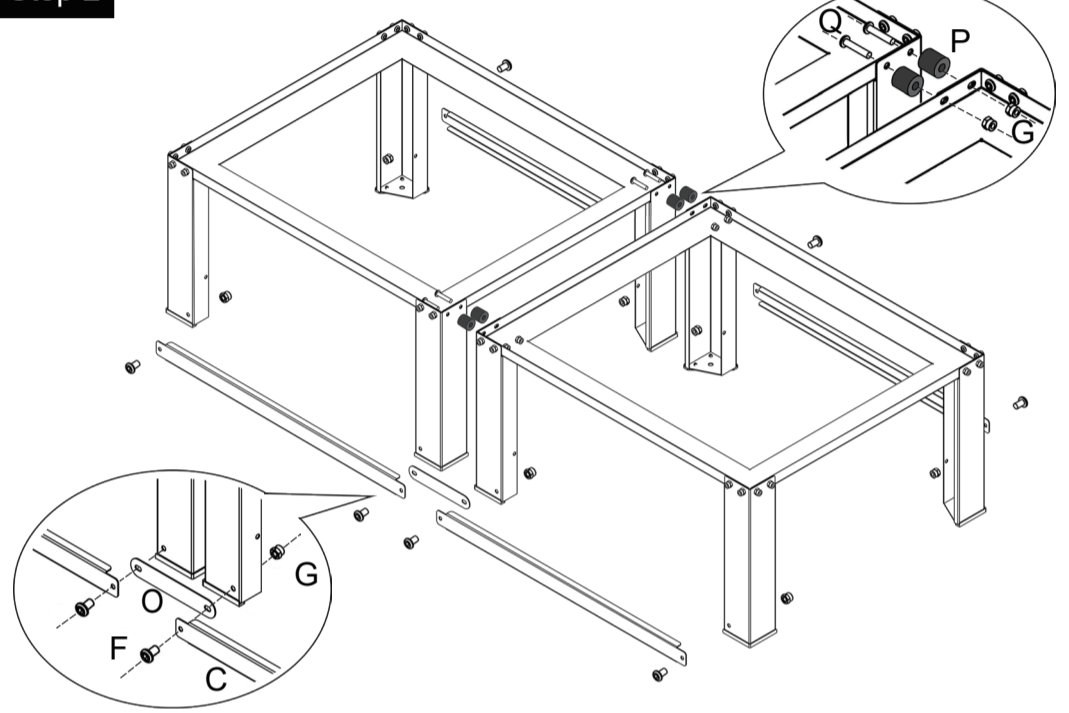


**Step 1**

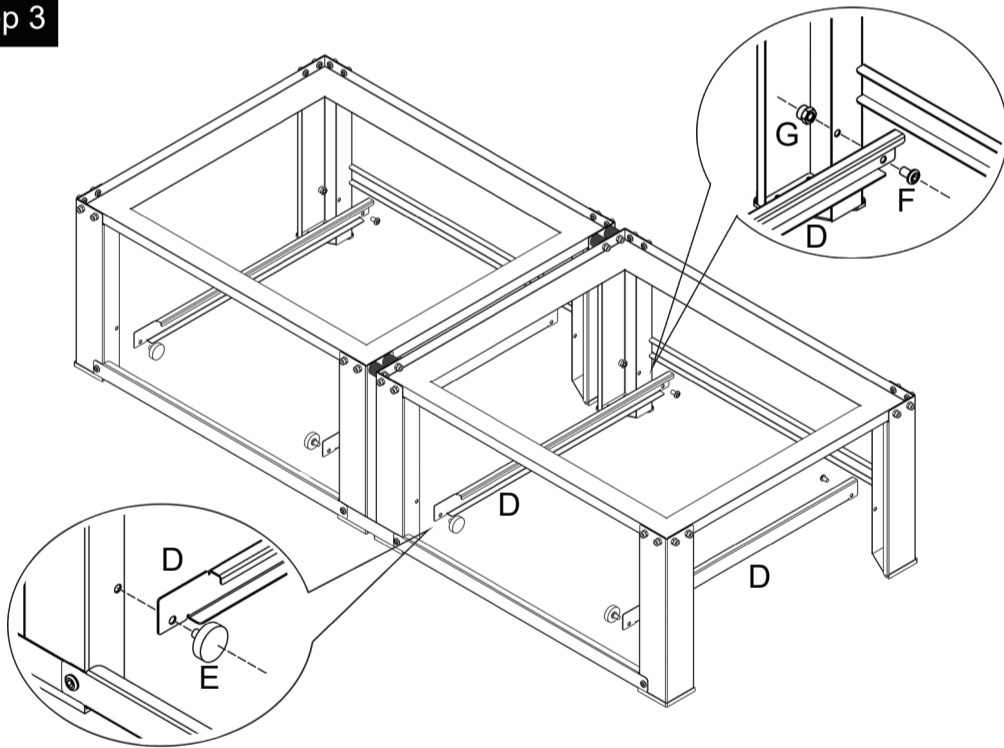


(View from front)

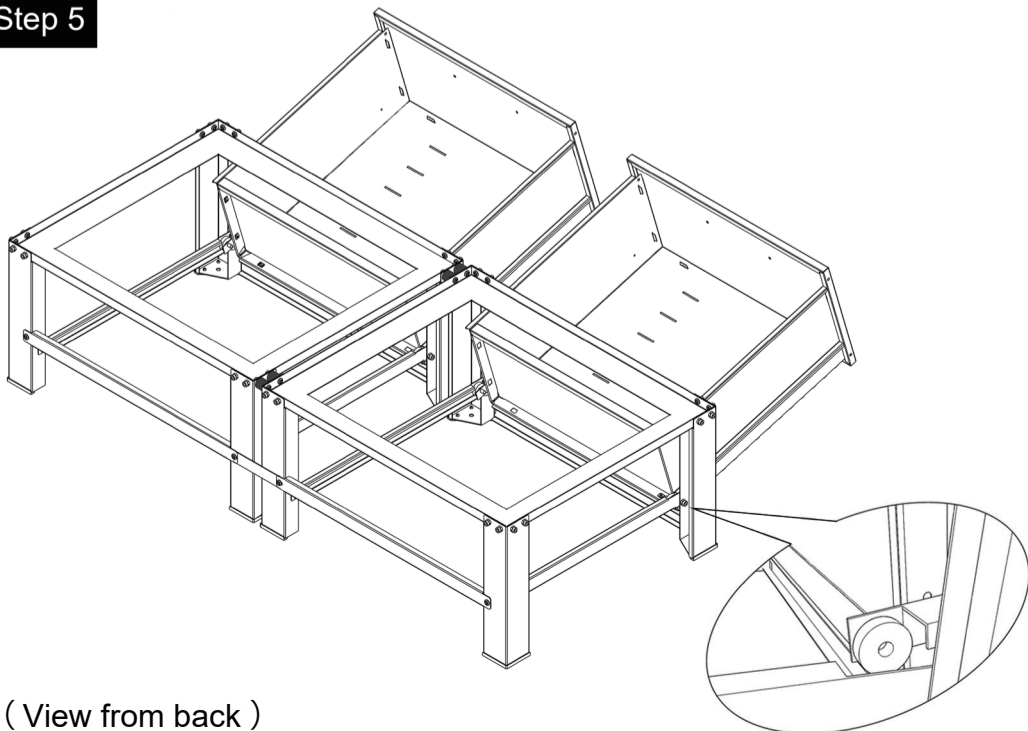
**Step 2**



**Step 3**

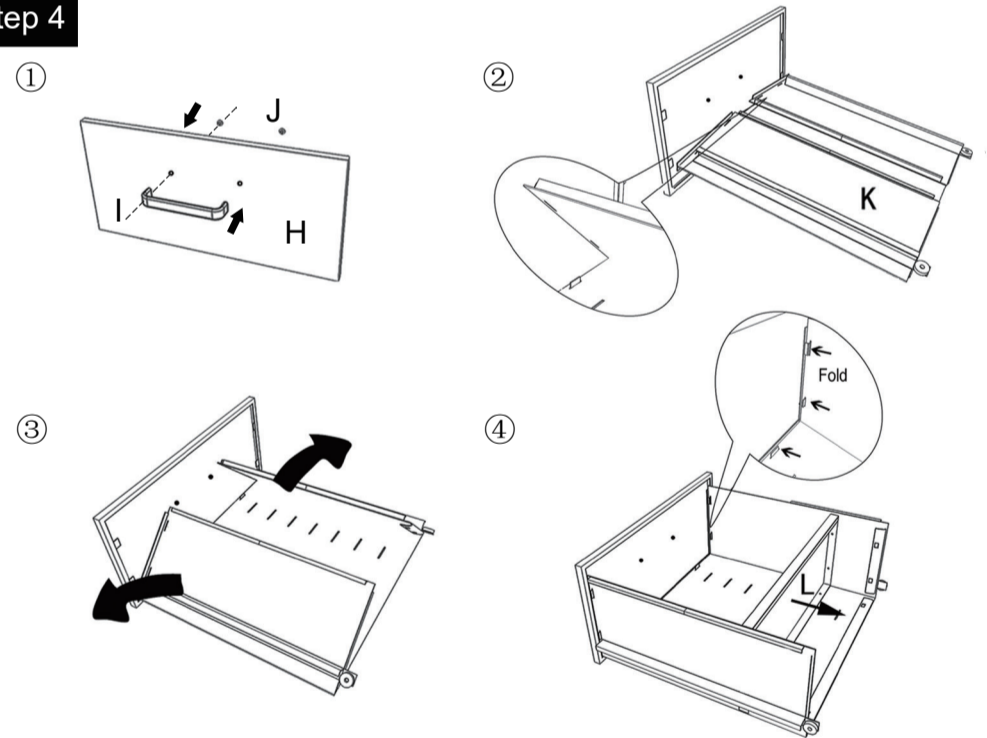


**Step 5**

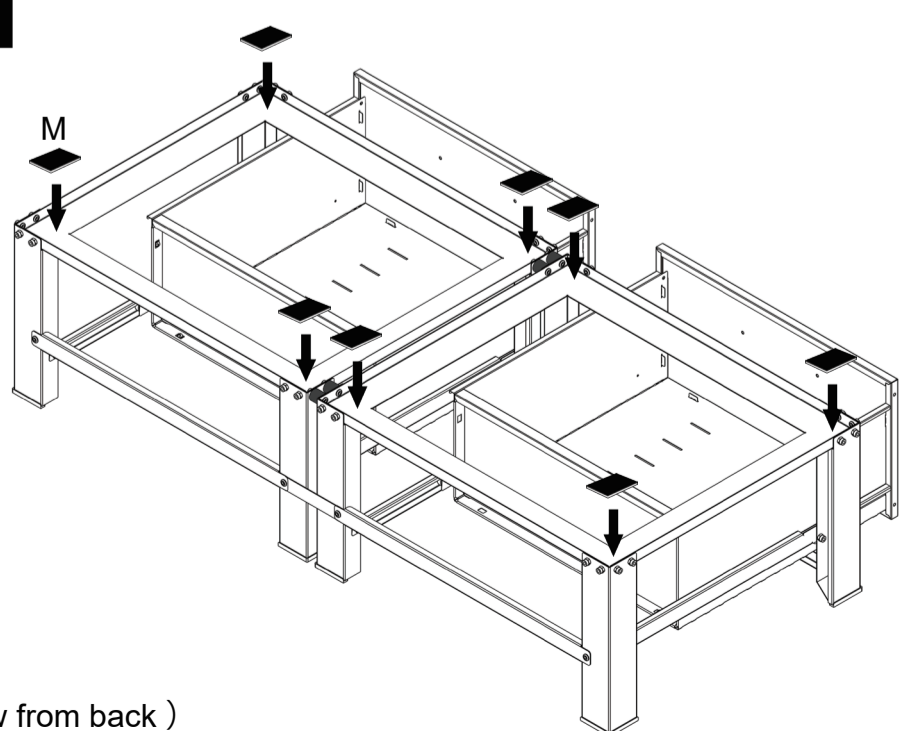


(View from back)

**Step 4**



**Step 6**



(View from back)