

NEXA 2000

All-in-one Balcony Solar Storage User Manual

Contact us
en.growatt.com

1. Keep it dry and do not place heavy objects on the NEXA 2000.
2. Do not dismantle, punch, shake, hit, or burn it.
3. Recycle and place NEXA 2000 according to local policies.

Content

- Disclaimer 2
- Disposal Guide 2
- Safety Guidelines 2
- Declaration of Conformity 3
- Specifications 3
- Packing List 5
- Product Introduction 5
- LED Panel 6
- Installation 7
 - Installation Instructions 7
 - On-grid Application 8
 - Off-grid Application 9
 - Other Tips 10
- How To Start 11
 - Power On / Off & Mode Setting 11
 - POWER PLUS Function 12
 - Connect ShinePhone APP 12
 - Cold-start 16
- FAQ 17
- Alert & Failure 18

Disclaimer

Please read the document carefully before you use the product to ensure that you completely understand the product and can correctly use it. After reading, please keep the document properly for future reference. If you use this product incorrectly, you risk significant injury to yourself or others, as well as product damage and property loss. Once you use this product, you are deemed to have understood, approved, and accepted all the terms and content of this document. Users promise to be responsible for their actions and all consequences arising therefrom. Growatt is not responsible for any damage caused by using the product not in accordance with the document.

Disposal Guide

1. When conditions permit, be sure to discharge the batteries of this product completely before placing it in the designated battery recycling bin. This product contains batteries, which are hazardous chemicals and are not permitted to be disposed of in the general waste bin. For details, please follow your local battery recycling and disposal laws and regulations.
2. If the battery cannot be completely discharged due to the product's own fault, please do not dispose of the battery directly in the battery recycling bin, but contact a professional battery recycling company for further processing.
3. The battery will not be able to start after over-discharging. Please dispose of it as discarded.

Safety Guidelines

1. Do not place this product in high temperature environments or in fire.
2. Avoid exposing it to moisture or submerging it in liquids.
3. Do not use near strong electrostatic or magnetic fields. Such conditions may disable some protective features of the product, leading to severe malfunctions.
4. Do not disassemble this product. Consult official channels for service or repair. Improper disassembly or reassembly may pose a risk of fire or personal injury.
5. When using this product, adhere strictly to the operational temperature range specified in the user manual. Excessive temperatures may cause fire or explosion; low temperatures can significantly reduce performance or cause the product to fail and cease functioning.
6. Do not place the product in unventilated areas during use.
7. Avoid causing a short circuit in the product with wires or other metal objects.
8. Ensure the product is not subjected to impact, drops, or severe vibration. Secure it during transport to prevent damage. If severely damaged, immediately turn off the power and cease using the product.
9. If the product accidentally falls into water, place it in a safe, open area and stay away from it until it is completely dry. Do not reuse a dried product; dispose of it properly as Disposal Guide in this document.
10. Growatt is not responsible for accidents or malfunctions caused by parts not provided by Growatt.
11. Clean the product only with a dry cloth.
12. Place it on a flat surface to prevent it from falling. If it topples over and is severely damaged, immediately turn it off; place the battery in an open area, away from people and flammable materials, and dispose of it in accordance with local laws and regulations.
13. Keep out of reach of children and pets.
14. Electromagnetic fields inevitably generated during the use of power products may affect the normal functioning of implanted medical devices or personal medical devices, such as pacemakers, implanted cochlear implants, hearing aids, defibrillators, etc. If you use such medical devices, consult their manufacturers for restrictions on using related equipment to ensure a safe distance is maintained between the product and implanted medical devices (like pacemakers, cochlear implants, hearing aids, defibrillators, etc.) during operation.

Declaration of Conformity

Hereby, Shenzhen Growatt Power Technology Co., Ltd. declares that this product is in compliance with Directives 2014/35/EU, 2014/30/EU, 2014/53/EU & 2011/65/EU. The full text of the EU declaration of conformity is available at the following internet address:

<https://growattportable.com/pages/download-center>.

Hereby, Shenzhen Growatt Power Technology Co., Ltd. declares that this device is in compliance with The Product Security and Telecommunications Infrastructure (Security Requirements for Relevant Connectable Products) Regulations 2023. For the Statement of Compliance, visit the Web site <https://growattportable.com/pages/download-center>.

Directive 2014/53/EU Radiation Exposure Statement:

This equipment should be installed and operated with a minimum distance of 20cm between the radiator and your body.

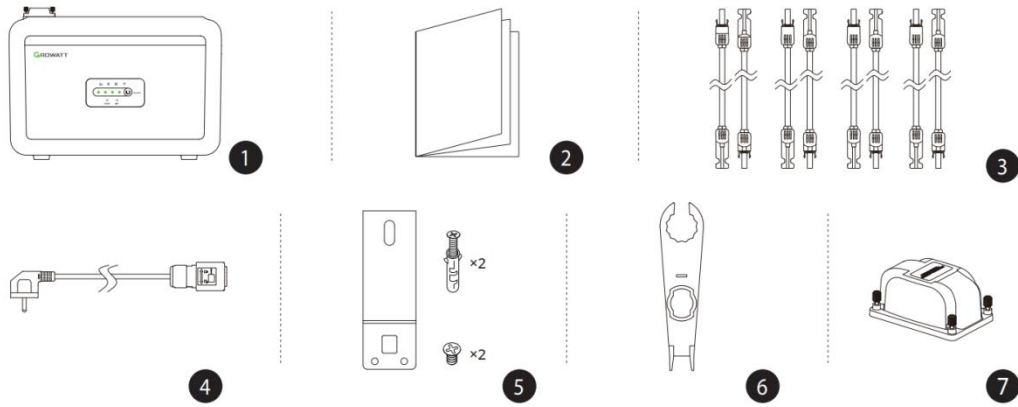
This transmitter must not be co-located or operating in conjunction with any other antenna or transmitter.

Specifications

Basic Information	
Net Weight	≈24Kg
Dimensions (L*W*H)	406*255*290mm
Wireless Connection	Bluetooth, 2.4G Hz Wi-Fi
Operation Frequency	2400-2483.5MHz
Max RF Output Power	<20dBm
Wireless technology	LoRa
Wi-Fi HaLow Operation Frequency	863-870MHz
Wi-Fi HaLow Max RF Output Power	<13.98dBm
LED Display	Supported
PV Input	
Operation Voltage Range	16-60Vdc
Max PV Input Voltage	60Vdc
Max PV Input Current	20A
Max Isc PV	20A
Number Of MPPT	4
Max MPPT Input Power	2600W
On-grid Port	
AC Output	230Vac,50/60Hz,800W
Max AC Output Current	3.5A
Power Factor	> 0.99 (-0.8~+0.8)
Versatile AC Port	
AC Output	230VAC,50/60Hz,3.5A

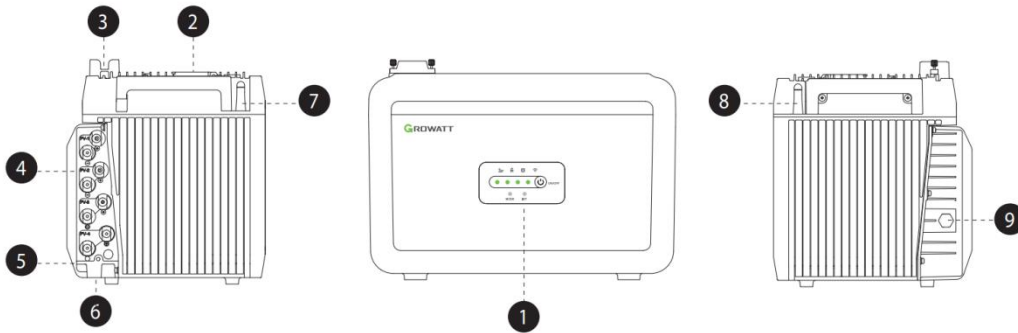
Max AC Output Power	800W
Max AC Apparent Power	800VA
Power Factor	-0.8~+0.8
Battery	
Rated Capacity	2048Wh
Battery Rated Voltage	51.2Vdc
Max Charge Current	40A
Max Discharge Current	60A
Max Charging Power	2000W
Max Discharging Power	800W
Rechargeable Li-Ion Battery	LifePO4
Expandable Battery Quantity	3
Max Expandable Capacity	8192Wh
Protection	
Overvoltage Protection	Yes
Overcurrent Protection	Yes
Short Circuit Protection	Yes
Temperature Protection	Yes
Overcharging Protection	Yes
Over-Discharge Protection	Yes
General Parameters	
Charging Temperature Range	0°C~55°C
Discharging Temperature Range	-20°C~55°C
Self-Heating	Yes, activated below 0°C
Relative Humidity	5%-95%
Maximum Altitude Rating	4000m
Ingress Protection	IP66
Pollution Degree	PD3 (External)
Overvoltage Category	OVCII (DC), OVCIII (AC)
Protective Class	Class I
Operating Environment	Indoor used
Warranty	10 Years

Packing List



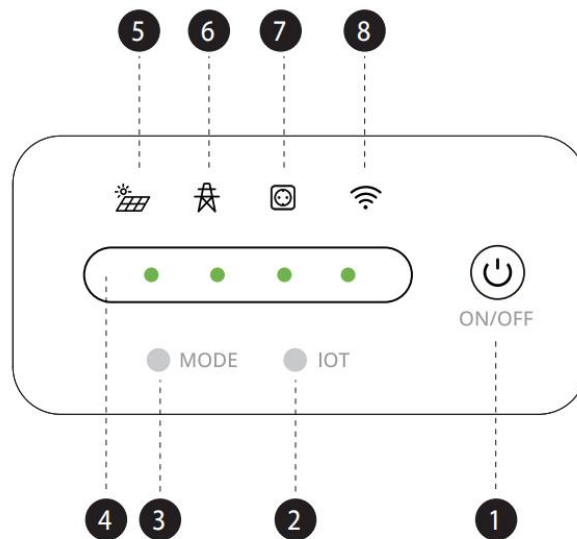
- 1.NEXA 2000 Balcony Storage
- 2.Documentations (Disclaimer & Warranty & Quick Start Guide & APP Guide)
- 3.PV Input Extension Cable
- 4.On-grid Cable
- 5.Fix-Bracket
- 6.MC4 Withdrawal Tool
- 7.Plug-Cover

Product Introduction



- 1.LED Panel
- 2.Versatile Port(Inverter In/Off-grid Out)
- 3.On-grid Port
- 4.PV Input Port
- 5.External Grounding Terminal
- 6.Battery Expansion Port
- 7.WIFI
- 8.Wi-Fi HaLow
- 9.Vent Valve

LED Panel



1.Main Power Button: short press 1s to switch on; long press 3s to switch off;

2.IOT Button (WiFi-Bluetooth):

-Short press 1s, IOT icon flashes, indicating pending connection status;

-Press and hold for 3s to reset, the IOT icon flashes and then goes out, press 1s again to turn it on again and enter the pending connection state;

3.Mode Switch Button: press and hold for 3s to switch between On-grid Mode and Off-grid Mode. The default mode is On-grid Mode when the device is switched on;

4.Battery Level Indicator: indicates the percentage of power. One cell represents 0-25%. When the battery level is 0-10% and the whole machine is in standby or discharging state, the first cell on the left side will flash.

5.Solar Panel Connection Indicator: when the icon is lit, it means the PV is connected; when the PV power input is lower than 25W, the PV icon flashes quickly, and when it exceeds this value, the PV icon is always lit;

6.On-grid Indicator: when the icon is lit, it indicates that the device is connected to the grid;

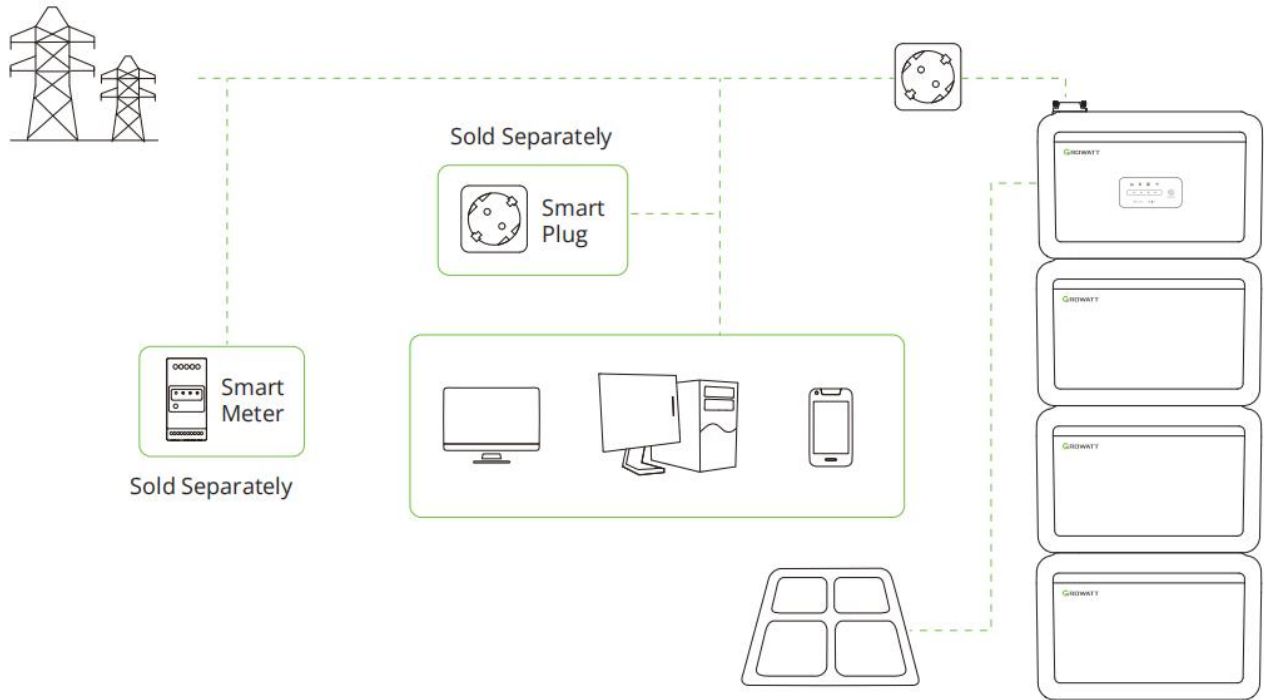
7.Off-grid Indicator: when the icon is lit, it means the device is Off-grid;

8.IOT Indicator (WiFi/Bluetooth): when the icon is always on, it indicates successful grid connection; when the icon is blinking, it indicates pending connection status.

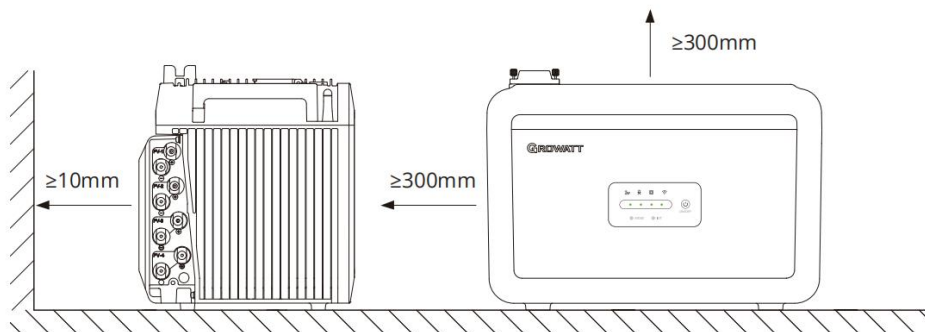
Installation

Installation Instructions

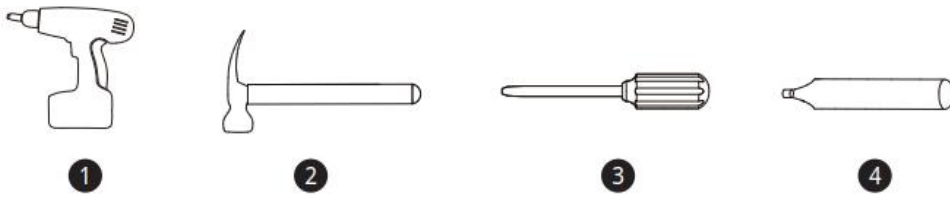
- System Application Diagram



- Space Required



- Tools Required

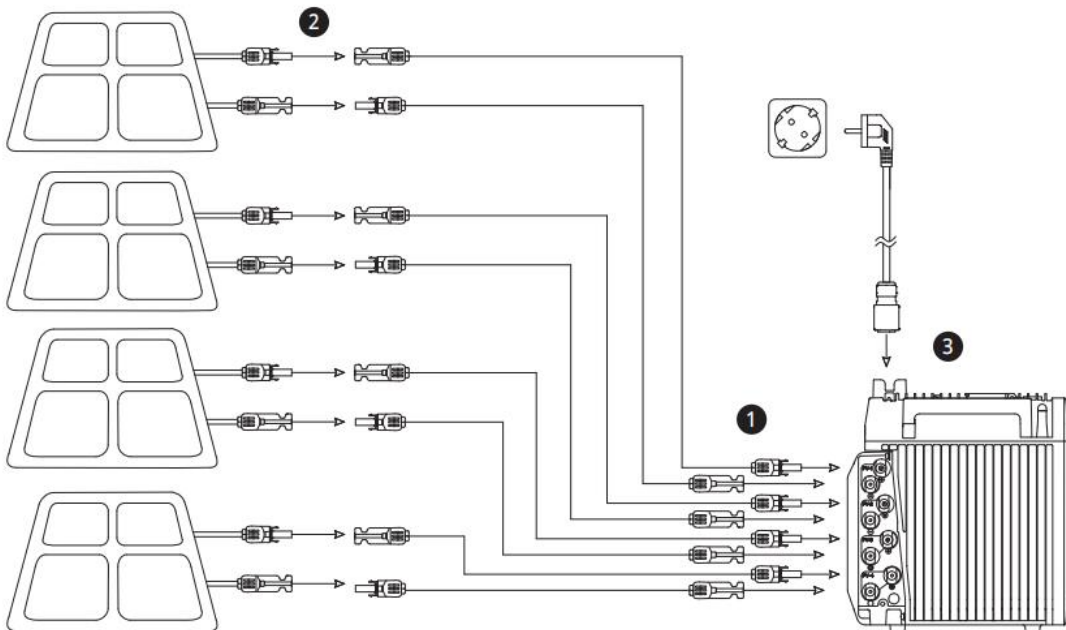


1. Multifunction Electric Screwdriver (∅ 12mm Drill Bit)
2. Hammer
3. Phillips Screwdriver
4. Pencil

On-grid Application

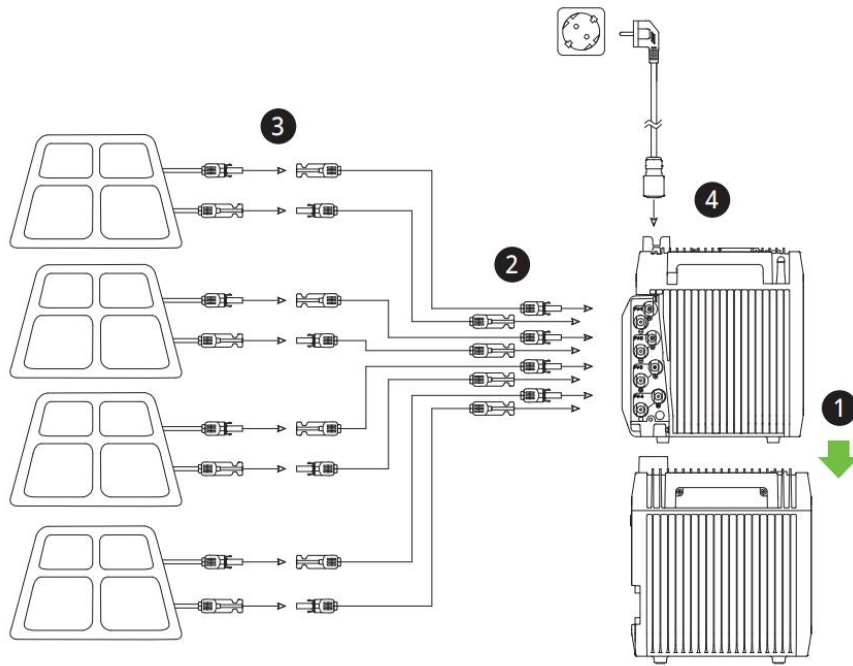
Application 1: NEXA 2000+Solar Panel

1. Connect PV Input Extension Cable to NEXA 2000;
2. Wiring solar panels with PV Input Extension Cable;
3. Connect NEXA 2000 to home-grid with On-grid Cable.



Application 2: NEXA 2000+Solar Panel+EBM

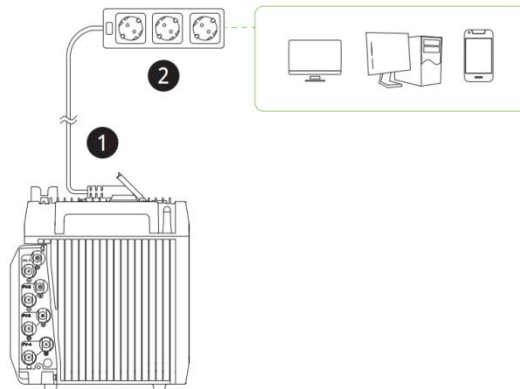
1. Stack NEXA 2000 to EBM, Max 3 EBMs are recommended;
2. Connect PV Input Extension Cable to NEXA 2000;
3. Wiring solar panels with PV Input Extension Cable;
4. Connect NEXA 2000 to home-grid with On-grid Cable.



Off-grid Application

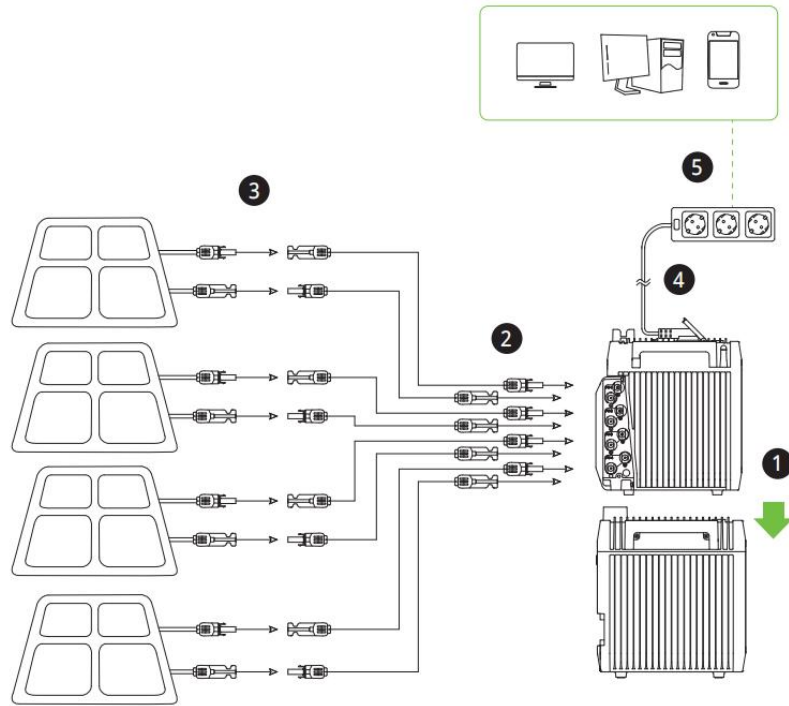
Application 1: NEXA 2000(Only)

1. Connect the row plug to the NEXA 2000's VERSATILE AC PORT;
2. Connecting household appliances to the row plug.



Application 2: NEXA 2000+Solar Panel+EBM

1. Stack NEXA 2000 to EBM, Max 3 EBMs are recommended;
2. Connect PV Input Extension Cable to NEXA 2000;
3. Wiring solar panels with PV Input Extension Cable;
4. Connect the row plug to the NEXA 2000's VERSATILE AC PORT;
5. Connecting household appliances to the row plug.

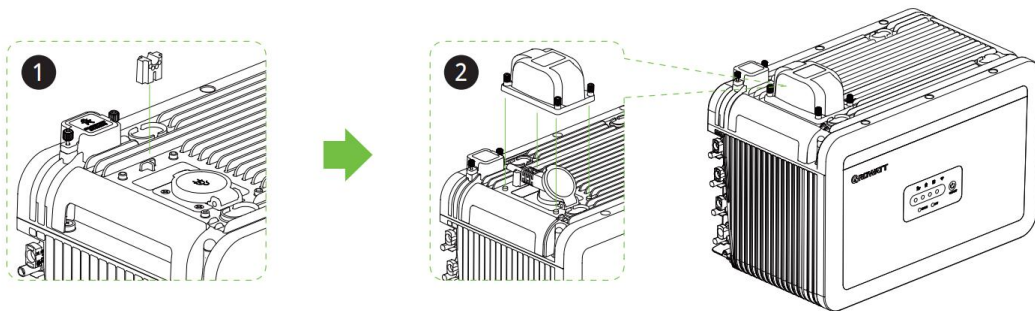


Other Tips

Plug-Cover Install

NEXA 2000 supports waterproof to your device's plug for well connection stability as follows:

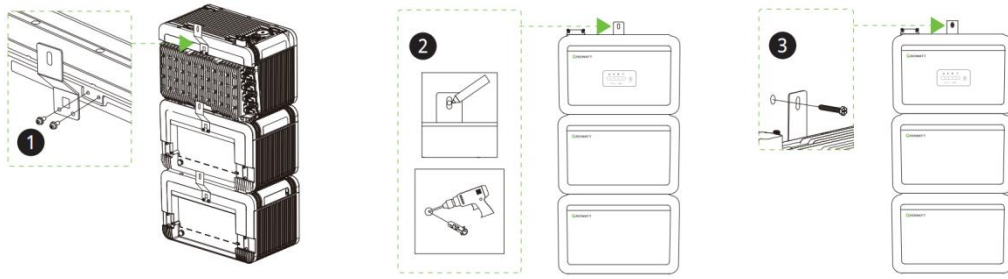
1. Install the block of Plug-Cover onto Versatile Port;
2. Insert the device's plug and secure Plug-Cover(Torque 1.5N·m) .



Floor-Standing Install

NEXA 2000 supports battery expansion with EBM stacked(Max 3 EBMs are recommended), Fix-bracket can be used to enhance stability as follows:

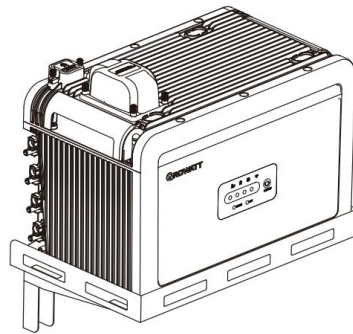
1. Install Fix-Bracket onto NEXA 2000/EBM(Torque 1.5N·m);
2. Mark the wall after positioning NEXA 2000/EBM, Drill holes (Φ12*50mm) at the marked spots and insert expansion plugs;
3. Secure NEXA 2000/EBM to the wall (Torque 6.0 N·m) .



Wall-Hung Install

NEXA 2000 supports Wall-Hung to minimize the use of balcony floor space.

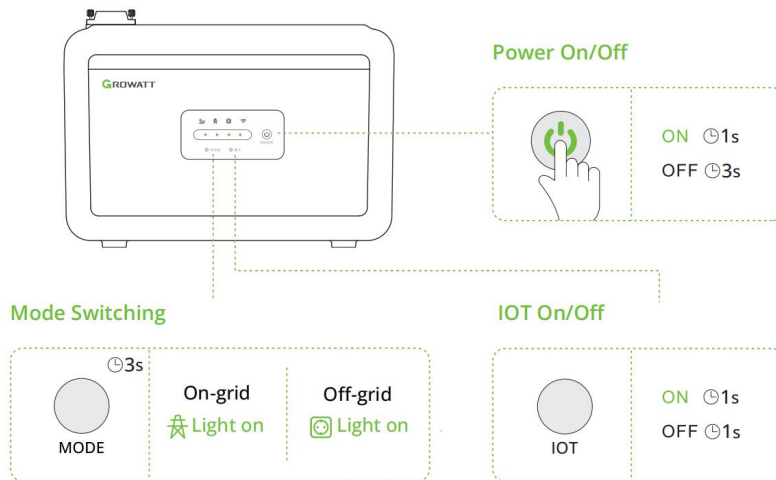
This accessory Wall-Hung bracket is sold separately.



How To Start

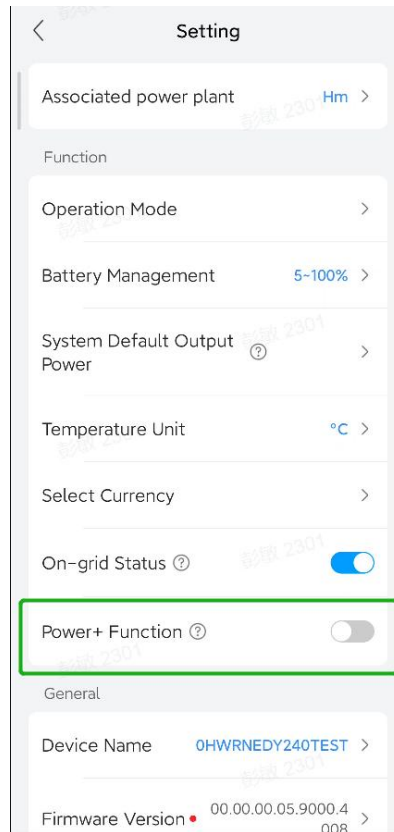
Power On / Off & Mode Setting

- 1.Short press the Main Power Button for 1 second to turn on; long press the main power button for 3 seconds to turn off.
- 2.Short press the IOT button for 1s, the IOT indicator flashes, that is, enter the pending connection state, you can configure the network for the device according to the APP guidelines.
- 3.The device is in On-grid mode by default, and can be switched to Off-grid mode by long-pressing the Mode button for 3s.



POWER PLUS Function

You can use this function on APP, enable to set the maximum value of the On-grid output power, please use with caution.



Connect ShinePhone APP

Use the ShinePhone application to remotely monitor and control your NEXA 2000 All-in-one Balcony Solar Storage system.

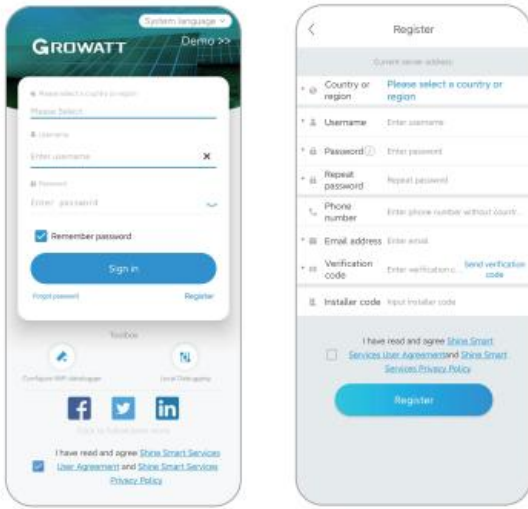
Create A Power Plant

1. Scan the QR code to download the 'ShinePhone' APP. You can also search for 'ShinePhone' on the APP Store or Google Play to download.

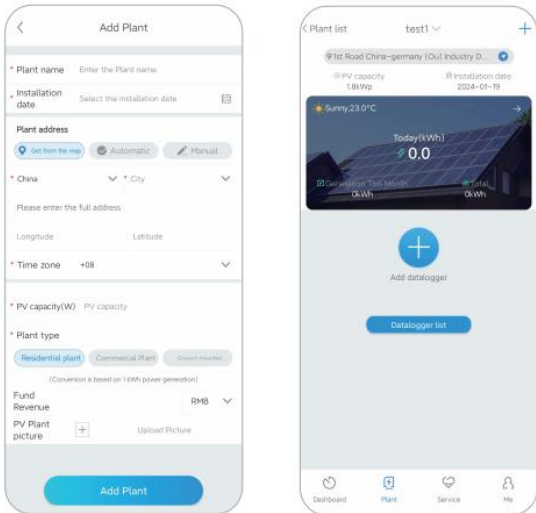


2. Click “Register” to create an account.

Installer code: GWATT



3. Create a power plant: Set the time and location according to the actual situation, and fill in the PV capacity and grid electricity price information.

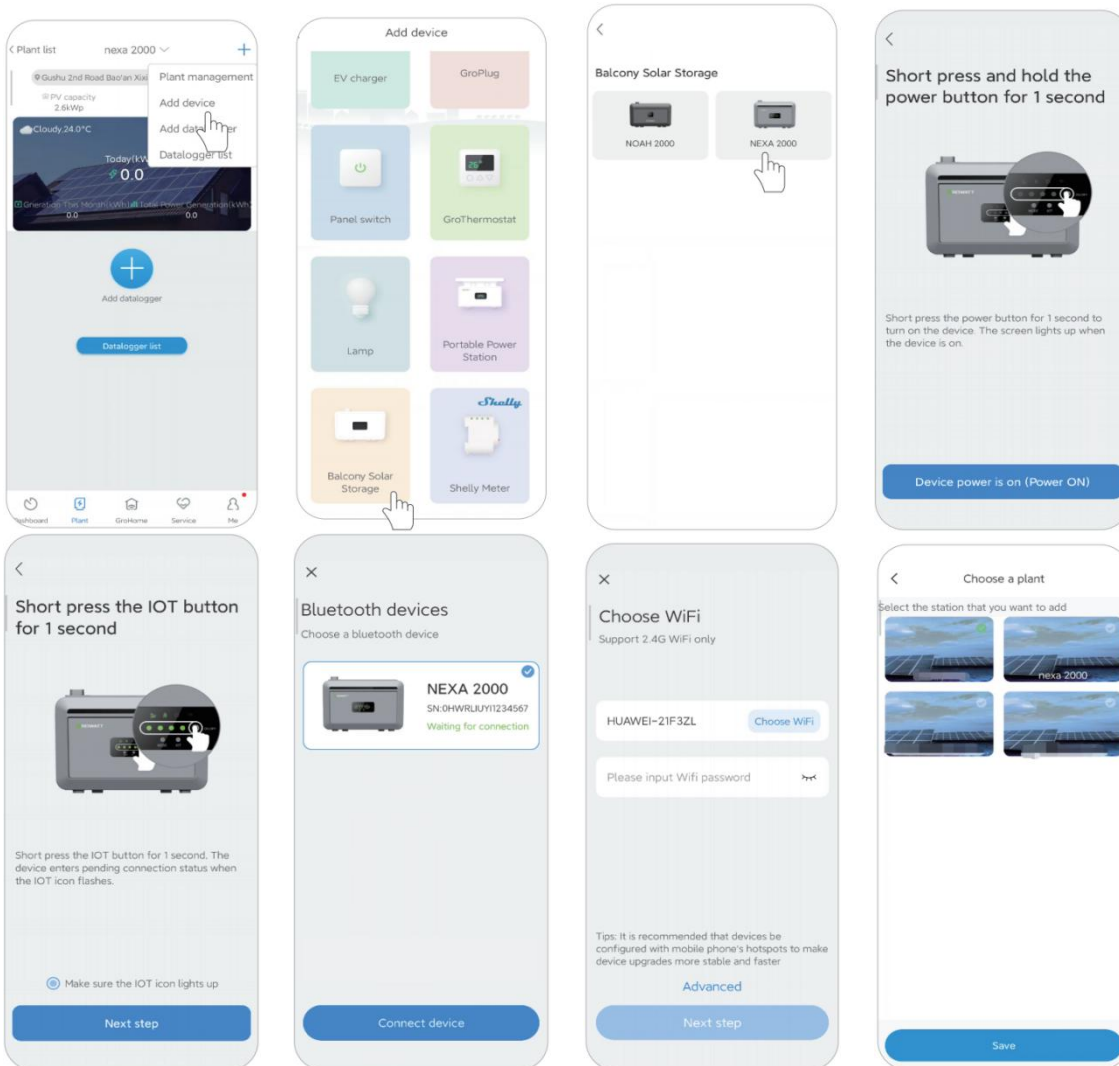


Configure Network

4. Connect NEXA 2000 to the network

4.1 Find and enter the "Plant" page from the bottom menu. Click the "+" button in the upper right corner of the page, select "Add device", scroll down and choose "Balcony Solar Storage".

4.2 Click "NEXA 2000" and follow the instructions on the app to complete the remaining distribution steps and add it to the power plant.

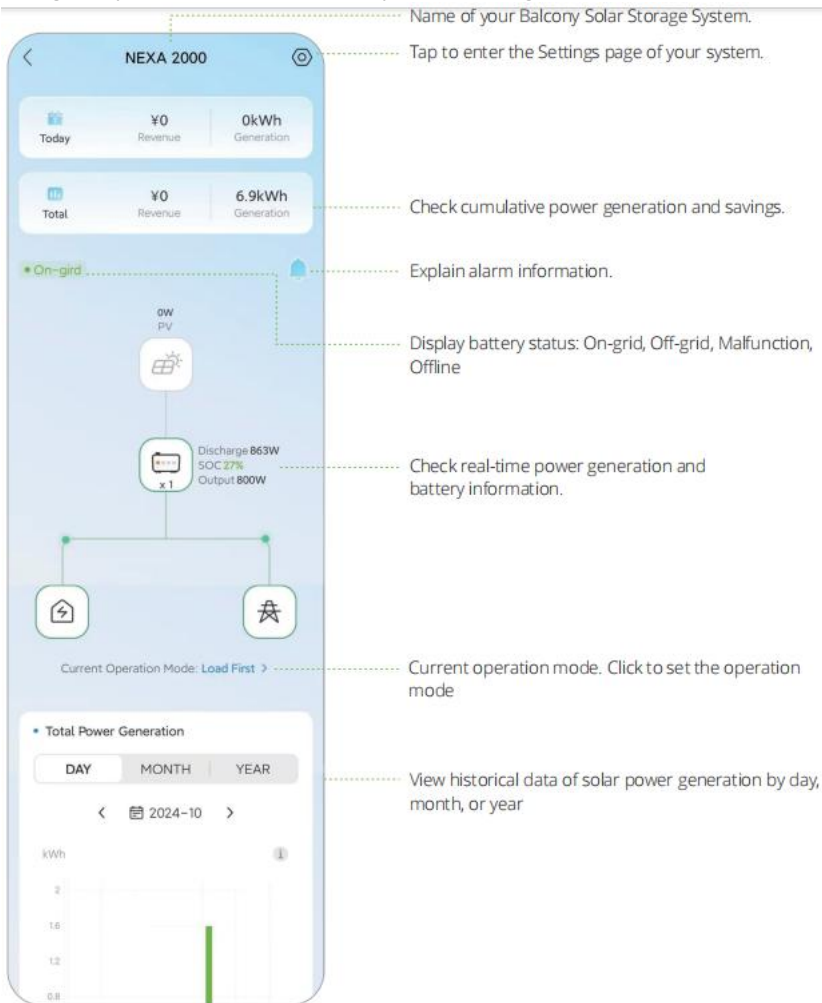


Note:

Re-pair the product with a new mobile device: If the device is already bound to a mobile device, you need to press the device's IoT button for 3 seconds to unpair the product from the current device and then re-pair it with the new mobile device.

Page Introduction

5. Page of your NEXA 2000 Balcony Solar Storage



Set Operation Mode

6. Set Operation Mode

6.1 Click "Add time", add a time period, and select a work mode for that time period.

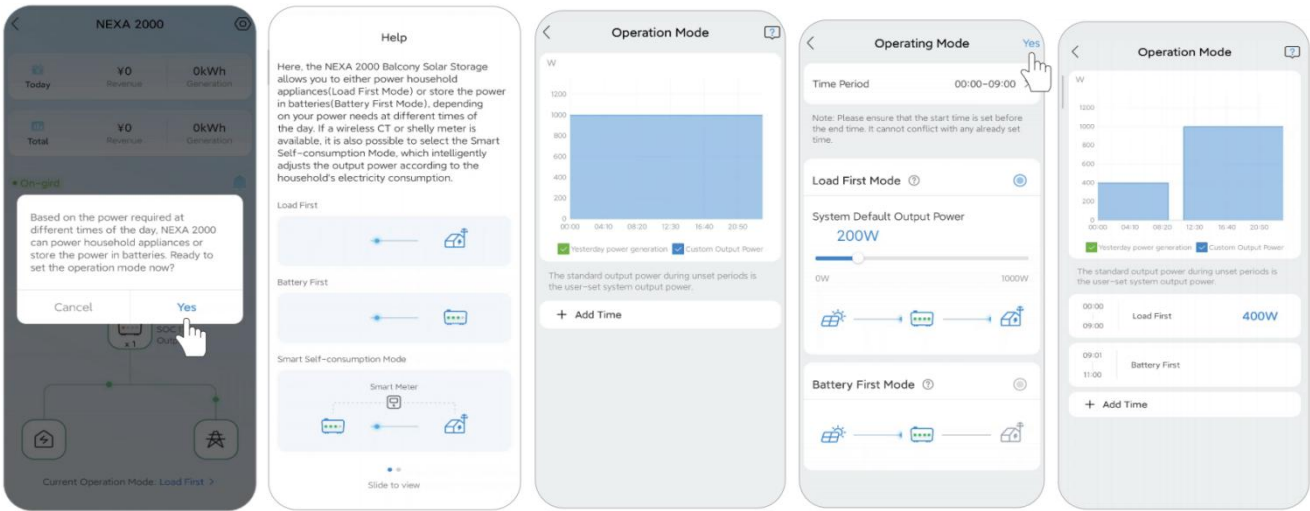
Load First Mode: It is a setting that prioritizes the use of photovoltaic power to power the load. If the photovoltaic energy generated is more than the System Output Power you have set, the excess energy will be stored in the battery. Conversely, if the photovoltaic energy generated is less than the System Output Power you have set, the battery will be discharged automatically to power the load along with the photovoltaic energy.

Battery First Mode: It is a setting that prioritizes the use of photovoltaic power to charge the battery until it reaches its upper limit SOC, at which point the battery stops discharging. When the battery is fully charged and there is still photovoltaic energy, it will output according to the actual photovoltaic power.

Smart Self-consumption Mode: This function is only available if the system is connected to a smart meter. The smart meter monitors the home's power consumption (drawing power from or feeding power to the grid) and intelligently adjusts the system's power output.

Note: The default is Load First Mode, and the default system output power is set to 200W. You can adjust this value to your preferred level within the APP.

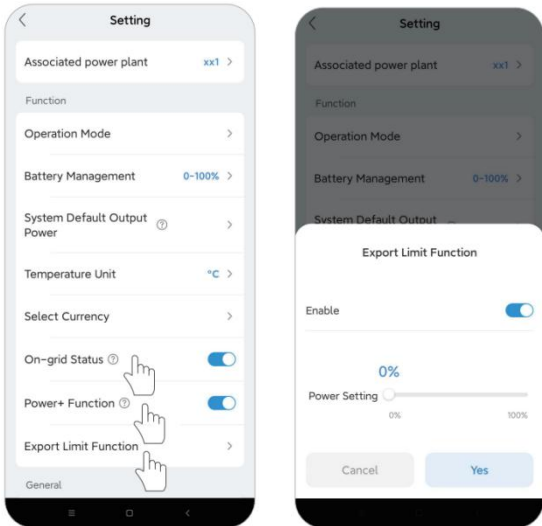
6.2 Click on the "?" icon in the upper right corner to view detailed operating instructions.



Other Important Settings

Associated Inverter

- 7. On-grid Status: Enable to enter on-grid status, disable to enter off-grid status.
- 8. Power+ Function: Enable to adjust the maximum value of the grid-connected output, use with caution.
- 9. Export Limit Function: Can only be used when associated with a wireless meter. Enable to limit the feed power of NEXA 2000, with 0% meaning no feed to the grid and 10% meaning maximum feed to the grid of 10%.



Cold-start

When the battery temperature is between -30°C and -20°C, connecting solar panels with photovoltaic input can automatically heat the battery to the working temperature, allowing the NEXA 2000 to function normally, thus enabling its use in low-temperature environments.

Battery temperature	Remaining heating time/min
-30°C	83
-25°C	75
-20°C (Minimum allowable discharge temperature)	65
-15°C	54
-10°C	42
-5°C	29
0°C (Minimum allowable charging temperature)	15
5°C	0

*Note:

1. This estimated remaining heating time is calculated based on the maximum heating power (photovoltaic input power $\geq 140W$) and is for reference only, subject to the actual heating. The heating function will stop when the battery temperature reaches 5°C.
2. Remaining heating time: The time required to heat from the current temperature to 5°C. For example, if the current temperature is -20°C, it takes 65 minutes to heat up to 5°C.
3. If the NEXA 2000 is below 0°C and the photovoltaic input power is $\leq 140W$, the photovoltaic energy is prioritized for battery heating.

FAQ

Q1: Does NEXA 2000 support simultaneous charging and discharging?

Yes, the input/output ports of NEXA 2000 are different, allowing simultaneous charging and discharging.

Q2: Is it possible to charge NEXA 2000 with solar panels from other brands?

Yes, just meet the photovoltaic charging specifications of this product.

Q3: How to store my NEXA 2000?

If long-term storage is required, please fully charge the machine, disconnect the photovoltaic connection, and then turn off the machine. Charge and discharge the product every 3 months: first discharge it to 20%, then charge it to 80%.

Q4: Can one battery be connected to four solar panels?

Sure, you can purchase the Y-Branch Solar Parallel Cable to connect 4 solar panels.

Q5: What is the waterproof performance of this device?

NEXA 2000 has an IP66 rating, making it suitable for outdoor use in challenging conditions, whether it's dusty environments or unexpected rain showers.

Q6: How to monitor the electricity generation of NEXA 2000 All-in-one Solar Balcony Storage system?

On the ShinePhone app, you can monitor solar power generation data and regulate the system's real-time output power.

Q7: How does NEXA 2000 All-in-one Solar Balcony Storage operate??

NEXA 2000 supports three working modes: Load First Mode, Battery First Mode and Smart Self-Consumption Mode. Users can set different working modes at different time periods as needed.

The system operates on a Load First mode by default, which prioritizes the use of photovoltaic power to power the load. If the photovoltaic energy generated is more than the system output power, the excess energy will be stored in the battery. Conversely, if the photovoltaic energy generated is less than the system output power, the battery will be discharged automatically to power the load along with the photovoltaic energy. The default system output power is set to 200W, but users can adjust this value to their preferred level within the app.

Battery First mode is a setting that prioritizes the use of photovoltaic power to charge the battery until it reaches its upper limit SOC, at which point the battery stops discharging. When the battery is fully charged and there is still photovoltaic energy, it will output according to the actual photovoltaic power.

Smart Self-consumption Mode: This function is only available if the system is connected to a wireless CT or meter. The wireless CT or meter monitors the home's power consumption (drawing power from or feeding power to the grid) and intelligently adjusts the system's power output.

Q8: What precautions should I take before installing/adding an extended battery?

When installing/adding an extended battery, the system must be turned off to protect you and the machine. Performing this operation while powered on is not covered under warranty. Please follow these steps for proper installation.

- a. Disconnect the NEXA 2000 from the solar panel.
- b. Press and hold the On/Off button for 1 second to switch off the power.
- c. After powering off the NEXA 2000, install the extended battery onto the NEXA 2000.
- d. Connect the solar panel for normal use.

Q9: What other precautions should I take when installing and using this product?

Please make sure the AC power outlet is well grounded. If the PE of 'Receptacle, Grid Connector' cannot be conducted (e.g. the user's wall plug does not have PE), you can choose the reserved grounding hole on the chassis for additional grounding.

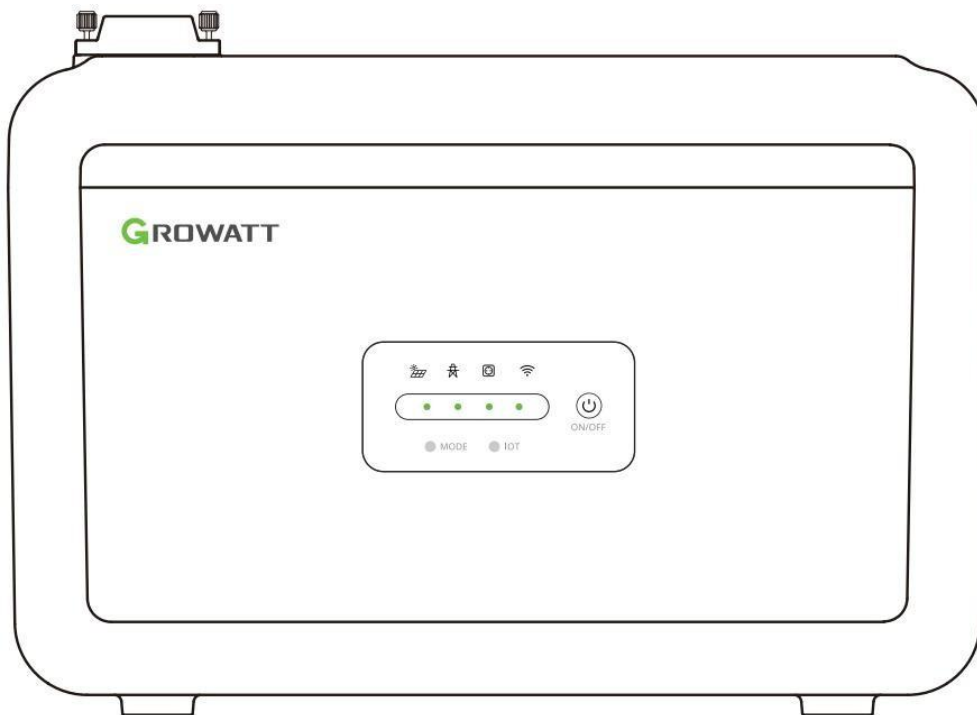
Q10: How to switch Off-grid mode?

Long press the device Mode Switch Button or in the APP setting page to switch Off-grid mode.

Alert & Failure

APP Displayed Fault Code	APP Displayed Fault Content	Solution
F01	PV1 Over Voltage Protection	Please check whether the input meets the specifications of solar charging. Remove the solar input or restart the product to resume normal operation.
F02	PV1 Overcurrent Protection	Please check whether the input meets the specifications of solar charging. Remove the solar input or restart the product to resume normal operation.
F03	PV1 Over Temperature Protection	Turn off the product and place it in an open area for 2-3 hours. After cooling, the product will continue to work normally.
F04	PV2 Over Voltage Protection	Please check whether the input meets the specifications of solar charging. Remove the solar input to resume normal operation.
F05	PV2 Overcurrent Protection	Please check whether the input meets the specifications of solar charging. Remove the solar input or restart the product to resume normal operation.
F06	PV2 Over Temperature Protection	Turn off the product and place it in an open area for 2-3 hours. After cooling, the product will continue to work normally.
F07	DC Low Voltage Protection	Restart the product. If the problem persists after several attempts, please contact Growatt Customer Service.
F08	DC Over Voltage Protection	Restart the product. If the problem persists after several attempts, please contact Growatt Customer Service.
F09	Product Overheating	Turn off the product and place it in an open area for 2-3 hours. After cooling, the product will continue to work normally.
F10	DC output overload protection	Normal operation will be resumed automatically after you remove the overloaded device. Long-term overload may cause product damage.
F11	Battery Low Voltage Protection	Please ensure timely recharging. If the problem persists after 2-3 hours of recharge, contact Growatt Customer Service.
F12	Battery Over Voltage Protection	Turn off the PV input and restart the product. If the problem persists after several attempts, please contact Growatt Customer Service.
F13	Battery Charge Low Temperature Protection	Please move the product to a warmer spot or connect it to PV power before use. (Not displayed in the app)
F14	Battery Charge Over Temperature Protection	Turn off the product and place it in an open area for 2-3 hours. After cooling, the product will continue to work normally.
F15	Battery Discharge Low Temperature Protection	Please move the product to a warmer spot or connect it to PV power before use. (Not displayed in the app)
F16	Battery Discharge Over Temperature Protection	Turn off the product and place it in an open area for 2-3 hours. After cooling, the product will continue to work normally.
F17	Battery Charge Overcurrent Protection	Restart the product. If the problem persists after several attempts, please contact Growatt Customer Service.
F18	Battery Discharge Overcurrent	Restart the product. If the problem persists after several attempts, please contact Growatt Customer Service.

	Protection	
F19	Battery Failure	Restart the product. If the problem persists after several attempts, please contact Growatt Customer Service.
F20	Abnormal battery temperature sampling	Restart the product. If the problem persists after several attempts, please contact Growatt Customer Service.
F21	Abnormal battery voltage sampling	Restart the product. If the problem persists after several attempts, please contact Growatt Customer Service.
F22	BMS Communication Failure	Restart the product. If the problem persists after several attempts, please contact Growatt Customer Service.
F23	Communication Failure with MPPT	Restart the product. If the problem persists after several attempts, please contact Growatt Customer Service.
F24	Communication failure with INV	Restart the product. If the problem persists after several attempts, please contact Growatt Customer Service.
F26	PV3 Over Voltage Protection	Please check whether the input meets the specifications of solar charging. Remove the solar input or restart the product to resume normal operation.
F27	PV3 Overcurrent Protection	Please check whether the input meets the specifications of solar charging. Remove the solar input or restart the product to resume normal operation.
F28	PV3 Over Temperature Protection	Turn off the product and place it in an open area for 2-3 hours. After cooling, the product will continue to work normally.
F29	PV4 Over Voltage Protection	Please check whether the input meets the specifications of solar charging. Remove the solar input or restart the product to resume normal operation.
F30	PV4 Overcurrent Protection	Please check whether the input meets the specifications of solar charging. Remove the solar input or restart the product to resume normal operation.
F31	PV4 Over Temperature Protection	Turn off the product and place it in an open area for 2-3 hours. After cooling, the product will continue to work normally.
F40	Grid Voltage Failure	Restart the product. If the problem persists after several attempts, please contact Growatt Customer Service.
F41	ISO Failure	Restart the product. If the problem persists after several attempts, please contact Growatt Customer Service.
F42	Grid Disconnection Failure	Restart the product. If the problem persists after several attempts, please contact Growatt Customer Service.
F43	Grid Frequency Failure	Restart the product. If the problem persists after several attempts, please contact Growatt Customer Service.
F44	Relay Detection Failure	Please check whether the input meets the specifications of solar charging. Remove the solar input or restart the product to resume normal operation.
F45	Inverter Temperature Failure	Please check whether the input meets the specifications of solar charging. Remove the solar input or restart the product to resume normal operation.
F46	BUS Voltage Failure	Turn off the product and place it in an open area for 2-3 hours. After cooling, the product will continue to work normally.
F47	Hardware OCP Failure	Please check whether the input meets the specifications of solar charging. Remove the solar input or restart the product to resume normal operation.
F48	EEPROM Failure	Please check whether the input meets the specifications of solar charging. Remove the solar input or restart the product to resume normal operation.



NEXA 2000

All-in-one-Balkon-Solarspeicher Benutzerhandbuch

Kontakt

en.growatt.com

1. Halten Sie es trocken und stellen Sie keine schweren Gegenstände auf den NEXA 2000.
2. Behandeln Sie das Gerät mit Sorgfalt. Öffnen, Schütteln oder Stoßen ist nicht gestattet. Schützen Sie es vor großen Hitzequellen.
3. Recyceln und entsorgen Sie NEXA 2000 gemäß den örtlichen Richtlinien.

Inhalt

Haftungsausschluss.....	22
Leitfaden für die Entsorgung.....	22
Sicherheitsrichtlinien.....	22
Konformitätserklärung.....	23
Spezifikationen.....	23
Packliste.....	25
Produkt-Einführung.....	25
LED-Panel.....	26
Einrichtung.....	27
Installationsanweisungen.....	27
Netzgebundene Anwendung.....	28
Netzunabhängige Anwendung.....	29
Andere Tipps.....	30
Wie man beginnt.....	31
Ein- und Ausschalten und Moduseinstellung.....	31
POWER PLUS Funktion.....	32
ShinePhone APP verbinden.....	32
Kaltstart.....	37
FAQ.....	37
Fehler und Warnhinweise.....	38

Haftungsausschluss

Bitte lesen Sie das Dokument sorgfältig durch, bevor Sie das Produkt verwenden, um sicherzustellen, dass Sie das Produkt vollständig verstehen und es korrekt verwenden können. Bewahren Sie das Dokument nach der Lektüre zum späteren Nachschlagen gut auf. Wenn Sie dieses Produkt unsachgemäß verwenden, riskieren Sie erhebliche Verletzungen bei sich selbst oder anderen, sowie Produktschäden und den Verlust von Eigentum. Sobald Sie dieses verwenden, wird davon ausgegangen, dass Sie alle Bedingungen und Inhalte dieses Dokuments verstanden, genehmigt und akzeptiert haben. Die Nutzer versprechen, dass sie für ihre Handlungen und alle sich daraus ergebenden Konsequenzen verantwortlich sind. Growatt ist nicht verantwortlich für Schäden, die durch eine nicht mit dem Dokument übereinstimmende Nutzung des Produkts entstehen.

Leitfaden für die Entsorgung

1. Stellen Sie sicher, dass die Batterie des Produkts vollständig entladen ist, bevor Sie diese gemäß den örtlichen Vorschriften und Bestimmungen entsorgen. Batterien enthalten gefährliche Chemikalien und dürfen nicht im Hausmüll entsorgt werden. Befolgen Sie die örtlichen Gesetze und Vorschriften für das Recycling und die Entsorgung von Batterien.
2. Wenn das Produkt ausfällt und die Batterie nicht vollständig entladen werden kann, entsorgen Sie das Produkt nicht bei einer Batteriesammelstelle. Wenden Sie sich stattdessen zur weiteren Klärung an einen professionellen Batterierecycler.
3. Entsorgen Sie tiefentladene Batterien, die nicht mehr gestartet werden können

Sicherheitsrichtlinien

1. Stellen Sie dieses Produkt nicht in Umgebungen mit hohen Temperaturen und in der Nähe von Wärmequellen auf.
2. Vermeiden Sie es, es Feuchtigkeit auszusetzen oder es in Flüssigkeiten zu tauchen.
3. Verwenden Sie das Gerät nicht in der Nähe starker elektrostatischer oder magnetischer Felder. Solche Bedingungen können einige Schutzfunktionen des Produkts außer Kraft setzen, was zu schwerwiegenden Fehlfunktionen führen kann.
4. Nehmen Sie dieses Produkt nicht auseinander. Wenden Sie sich für Service oder Reparatur an offizielle Stellen. Bei unsachgemäßer Demontage oder Montage besteht Brand- und Verletzungsgefahr.
5. Halten Sie sich bei der Verwendung dieses Produkts streng an den im Benutzerhandbuch angegebenen Betriebstemperaturbereich. Zu hohe Temperaturen können einen Brand oder eine Explosion verursachen; zu niedrige Temperaturen können die Leistung erheblich verringern oder dazu führen, dass das Produkt ausfällt und nicht mehr funktioniert.
6. Stellen Sie das Produkt während des Gebrauchs nicht in unbelüfteten Bereichen auf.
7. Vermeiden Sie es, mit Drähten oder anderen Metallgegenständen einen Kurzschluss im Gerät zu verursachen.
8. Achten Sie darauf, dass das Produkt keinen Stößen, Stürzen oder starken Vibrationen ausgesetzt wird. Sichern Sie es beim Transport, um Schäden zu vermeiden. Bei schweren Schäden schalten Sie das Gerät sofort aus und verwenden Sie es nicht mehr.
9. Wenn das Produkt versehentlich ins Wasser fällt, legen Sie es an einen sicheren, offenen Ort und halten Sie sich von ihm fern, bis es vollständig getrocknet ist. Verwenden Sie ein getrocknetes Produkt nicht wieder; entsorgen Sie es ordnungsgemäß gemäß der Entsorgungsanleitung in diesem Dokument.
10. Growatt ist nicht verantwortlich für Unfälle oder Fehlfunktionen, die durch nicht von Growatt gelieferte Teile verursacht werden.
11. Reinigen Sie das Produkt nur mit einem trockenen Tuch.
12. Stellen Sie es auf eine ebene Fläche, damit er nicht herunterfallen kann. Wenn es umkippt und schwer beschädigt wird, schalten Sie es sofort aus; legen Sie den Akku an einem offenen Ort ab, entfernt von Menschen und brennbaren Materialien, und entsorgen Sie es gemäß den örtlichen Gesetzen und Vorschriften.
13. Außerhalb der Reichweite von Kindern und Haustieren aufbewahren.
14. Elektromagnetische Felder, die bei der Verwendung von Stromversorgungsprodukten unvermeidlich entstehen, können die normale Funktion implantierter medizinischer Geräte oder persönlicher medizinischer Geräte, wie Herzschrittmacher, implantierte Cochlea-Implantate, Hörgeräte, Defibrillatoren usw., beeinträchtigen. Wenn Sie solche medizinischen Geräte verwenden, erkundigen Sie sich bei deren Herstellern nach Einschränkungen bei der Verwendung entsprechender Geräte, um sicherzustellen, dass während des Betriebs ein sicherer Abstand zwischen dem Produkt und implantierten medizinischen Geräten (wie Herzschrittmachern, Cochlea-Implantaten, Hörgeräten, Defibrillatoren usw.) eingehalten wird.

Konformitätserklärung

Hiermit erklärt die Shenzhen Growatt Power Technology Co., Ltd. dass dieses Produkt den Richtlinien 2014/35/EU, 2014/30/EU, 2014/53/EU & 2011/65/EU entspricht. Der vollständige Text der EU-Konformitätserklärung ist unter der folgenden Internetadresse verfügbar: <https://growattportable.com/pages/download-center>.

Hiermit erklärt Shenzhen Growatt Power Technology Co., Ltd., dass dieses Gerät den Vorschriften für Produktsicherheit und Telekommunikationsinfrastruktur (Sicherheitsanforderungen für relevante anschlussfähige Produkte) von 2023 entspricht. Die Konformitätserklärung finden Sie auf der Website <https://growattportable.com/pages/download-center>.

Richtlinie 2014/53/EU Erklärung zur Strahlenexposition:

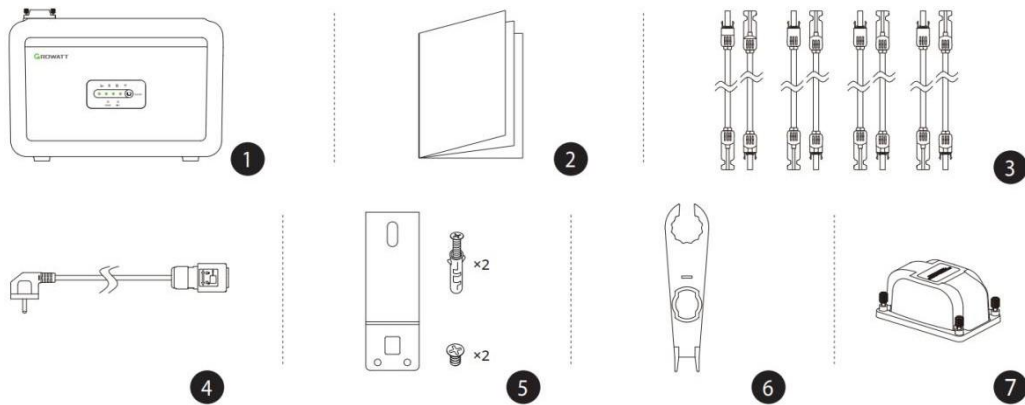
Dieses Gerät sollte mit einem Mindestabstand von 20 cm zwischen dem Strahler und Ihrem Körper installiert und betrieben werden. Der Sender darf nicht in Verbindung mit einer anderen Antenne oder einem anderen Sender aufgestellt oder betrieben werden.

Spezifikationen

Grundlegende Informationen	
Nettogewicht	≈24Kg
Abmessungen (L*B*H)	406*255*290mm
Drahtlose Verbindung	Bluetooth, 2.4G Hz Wi-Fi
Betriebsfrequenz	2400-2483.5MHz
Maximale RF-Ausgangsleistung	<20dBm
Drahtlose Technologie	LoRa
Wi-Fi HaLow Betriebsfrequenz	863-870MHz
Wi-Fi HaLow Max RF-Ausgangsleistung	<13.98dBm
LED-Anzeige	Unterstützt
PV-Eingang	
Betriebsspannungsbereich	16-60Vdc
Maximale PV-Eingangsspannung	60Vdc
Max PV-Eingangsstrom	20A
Max Isc PV	20A
Anzahl von MPPT	4
Maximale MPPT-Eingangsleistung	2600W
Netzgekoppelter Anschluss	
AC-Ausgang	230Vac,50/60Hz,800W
Max. AC-Ausgangsstrom	3.5A
Leistungsfaktor	> 0.99 (-0.8~+0.8)
Vielseitiger AC-Anschluss	
AC-Ausgang	230VAC,50/60Hz,3.5A

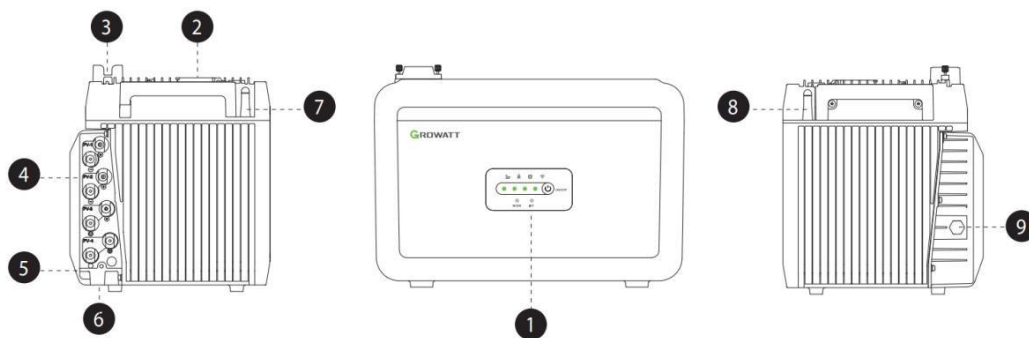
Maximale AC-Ausgangsleistung	800W
Maximale AC-Scheinleistung	800VA
Leistungsfaktor	-0.8~+0.8
Batterie	
Nennkapazität	2048Wh
Batterie-Nennspannung	51.2Vdc
Max. Ladestrom	40A
Max. Entladestrom	60A
Maximale Entladeleistung	800W
Wiederaufladbare Li-Ion-Batterie	LifePO4
Erweiterbare Batteriemenge	3
Maximal erweiterbare Kapazität	8192Wh
Schutz	
Überspannungsschutz	Ja
Überstromschutz	Ja
Kurzschlusschutz	Ja
Temperaturschutz	Ja
Überladungsschutz	Ja
Schutz vor Überentladung	Ja
Allgemeine Parameter	
Ladetemperaturbereich	0°C~55°C
Entladetemperaturbereich	-20°C~55°C
Selbsterhitzung	Ja, aktiviert unter 0°C
Relative Luftfeuchtigkeit	5%-95%
Maximal zulässige Höhe	4000m
Schutzart	IP66
Grad der Verschmutzung	PD3 (External)
Überspannungskategorie	OVCII (DC), OVCIII (AC)
Schutzklasse	Klasse I
Betriebsumgebung	möglichst Innenbereich
Garantie	10 Jahre

Packliste



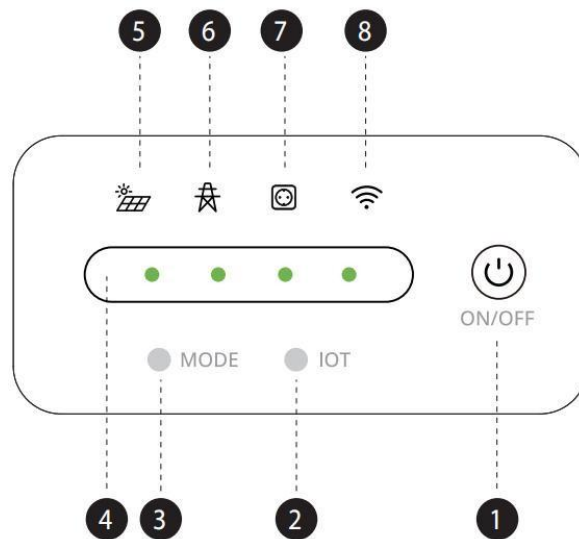
1. NEXA 2000 Balkonspeicher
2. Dokumentationen (Haftungsausschluss & Garantie & Schnellstartanleitung & APP-Anleitung)
3. PV-Eingang Verlängerungskabel
4. Netzanschlussskabel
5. Geräte Halterung
6. MC4 Montagewerkzeug
7. Steckerschutzhaube

Produkt-Einführung



1. LED-Panel
2. Vielseitiger Anschluss (Wechselrichtereingang/netzunabhängiger Ausgang)
3. Netzanschluss Buchse
4. PV-Eingangsanschluss
5. Externe Erdungsklemme
6. Akku- Erweiterungsanschluss
7. WiFi Antenne
8. WiFi HaLow
9. Entlüftungsventil

LED-Panel



1. On/OFF Taste: Zum Einschalten 1 Sekunde lang drücken; zum Ausschalten 3 Sekunden lang drücken.

2. IOT-Taste (WiFi-Bluetooth):

- Kurzes Drücken (1Sek.); das IOT-Symbol blinkt auf; Gerät ist jetzt im Verbindungsmodus.

- Zum Zurücksetzen 3 Sekunden lang gedrückt halten; das IOT-Symbol blinkt und erlischt anschließend; nochmals 1 Sekunde drücken; um es wieder einzuschalten und den Verbindungsmodus zu aktivieren.

3. Modus-Umschalttaste: Halten Sie die Taste 3 Sekunden lang gedrückt, um zwischen On- Grid-Modus und Off-Grid-Modus zu wechseln. Der Standardmodus ist der On-Grid- Modus, wenn das Gerät eingeschaltet wird.

4. Batterieladestandsanzeige: Zeigt den prozentualen Ladestand an. Eine Zelle entspricht 0-25%. Wenn der Batteriestand 0-10% beträgt und sich das gesamte Gerät im Standby- oder Entladezustand befindet, blinkt die erste Zelle auf der linken Seite.

5. Anzeige für Solarmodulanschluss: Wenn das Symbol leuchtet, bedeutet dies, dass das PV-Modul angeschlossen ist. Wenn die PV-Leistungsaufnahme unter 25 W liegt, blinkt das PV-Symbol schnell, und wenn sie diesen Wert überschreitet, leuchtet das PV-Symbol dauerhaft.

6. Netzanschlussanzeige (On-Grid): Wenn das Symbol leuchtet, zeigt es an, dass das Gerät an das Netz angeschlossen ist.

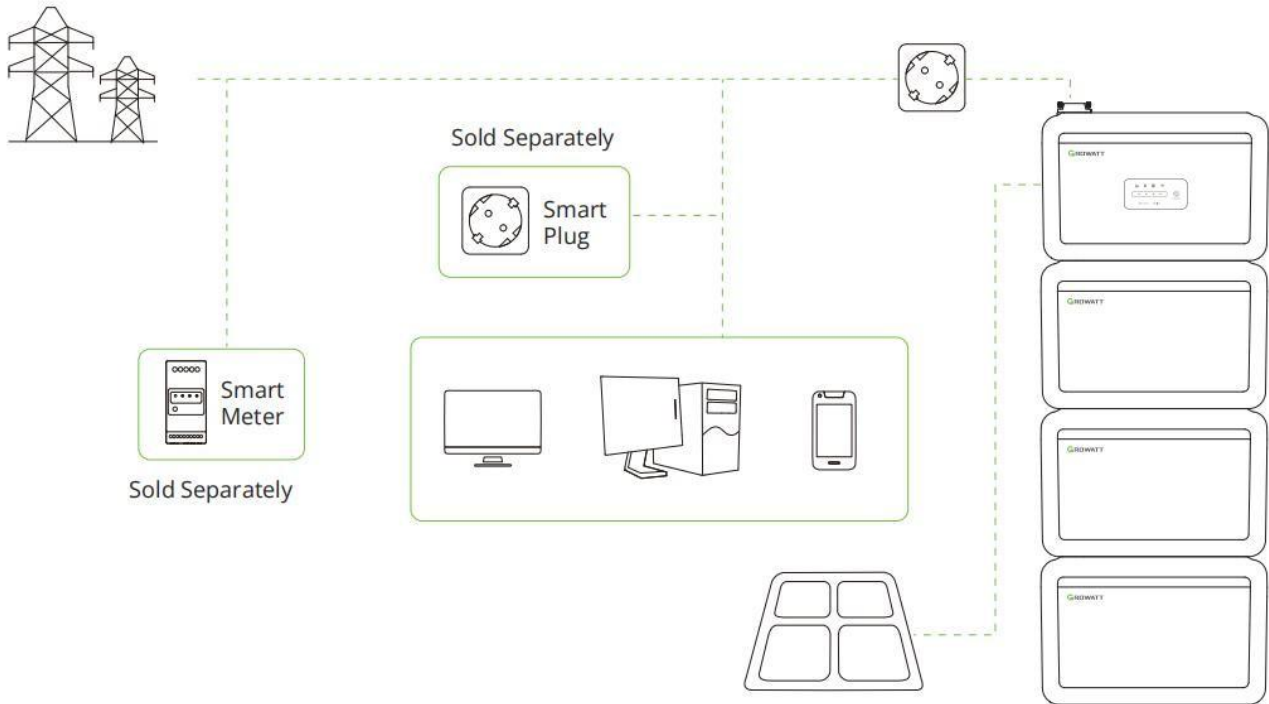
7. Off-Grid-Anzeige: Wenn das Symbol leuchtet, bedeutet dies, dass das Gerät vom Netz getrennt ist.

8. IOT-Anzeige (WiFi/Bluetooth): Wenn das Symbol immer leuchtet, zeigt es eine erfolgreiche Netzverbindung an; wenn das Symbol blinkt, ist es im Verbindungsmodus und ist bereit für die WIFI/Bluetooth- Konfiguration via App.

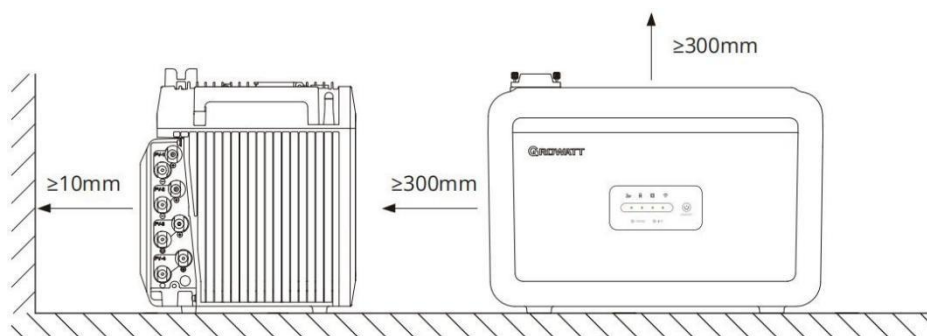
Einrichtung

Einbauanleitung

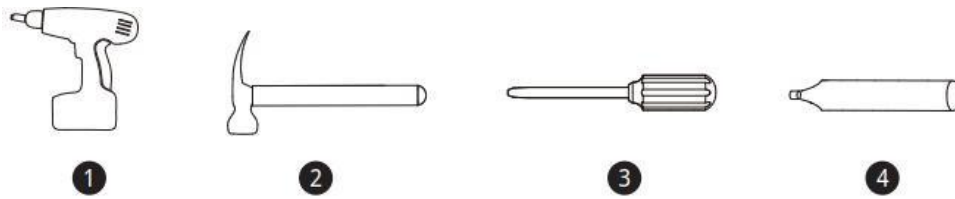
- System-Anwendungsdiagramm



- Erforderlicher Platz / Sicherheitsabstände



- Erforderliche Werkzeuge

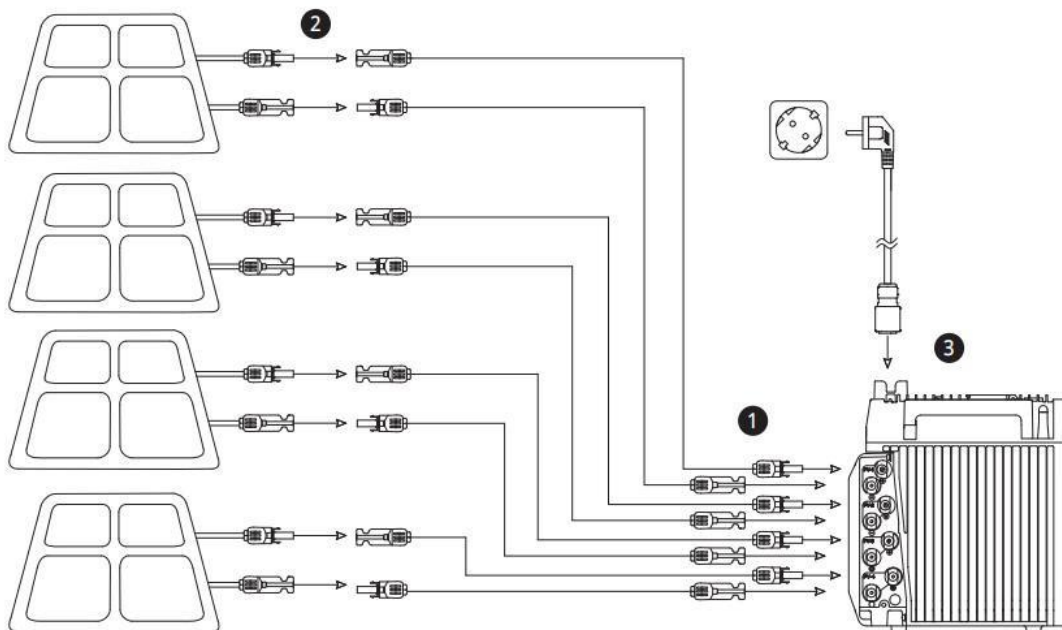


1. Bohrmaschine (\varnothing 12mm)
2. Hammer
3. Kreuzschlitzschraubendreher
4. Bleistift

Netzgebundene Anwendung

Anwendung 1: NEXA 2000+ Solarpanel

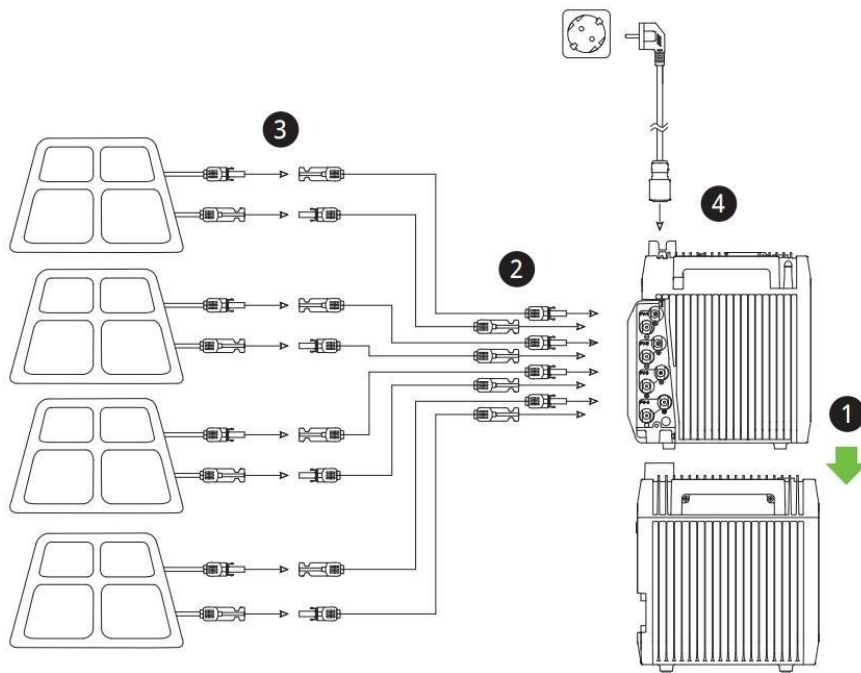
1. PV-Eingangsverlängerungskabel an NEXA 2000 anschließen;
2. Verkabelung von Solarmodulen mit PV-Eingangsverlängerungskabel;
3. Verbinden Sie NEXA 2000 mit dem On-Grid-Kabel an das Hausnetz.



Anwendung 2: NEXA 2000+Solarpanel+EBM*

1. NEXA 2000 auf EBM stapeln, empfohlen werden maximal 3 EBMs;
2. PV-Eingangsverlängerungskabel an NEXA 2000 anschließen;
3. Verkabelung von Solarmodulen mit PV-Eingangsverlängerungskabel;
4. Verbinden Sie NEXA 2000 mit dem Hausnetz mit dem On-Grid-Kabel.

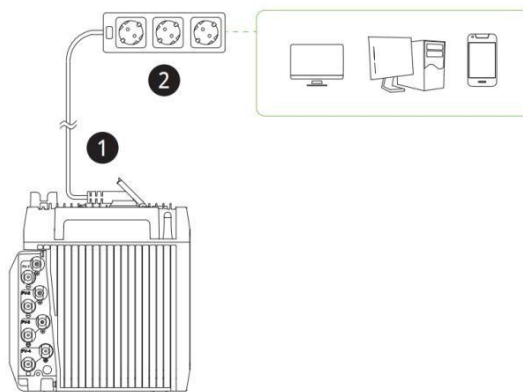
*EBM: Erweiterungs Battery module



Netzunabhängige Anwendung

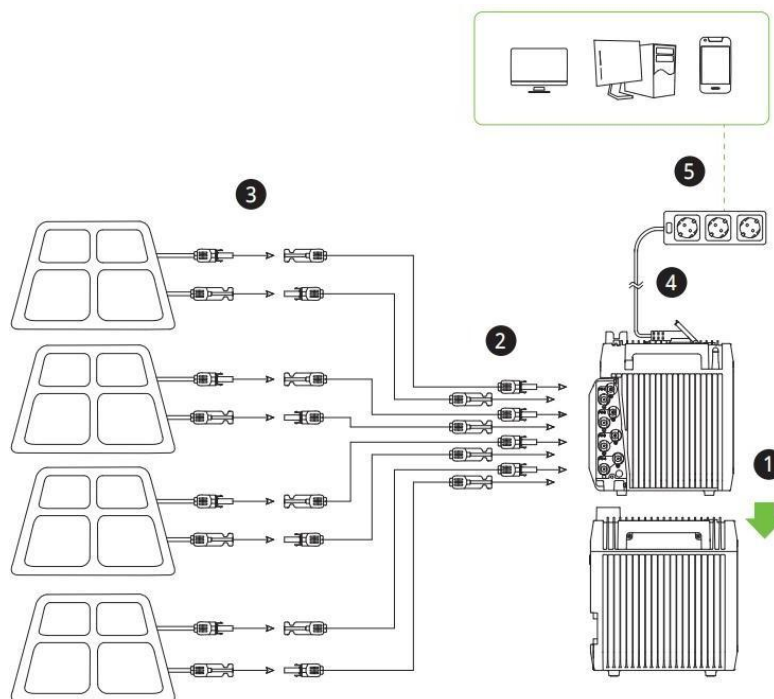
Anwendung 1: NEXA 2000 (ohne Zusatz)

1. Schließen Sie den Reihenstecker an den VERSATILE AC PORT des NEXA 2000 an;
2. Anschluss von Haushaltsgeräten an den Reihenstecker.



Anwendung 2: NEXA 2000+Solarpanel+EBM

1. NEXA 2000 auf EBM stapeln, empfohlen werden maximal 3 EBMs;
2. PV-Eingangsverlängerungskabel an NEXA 2000 anschließen;
3. Verkabelung von Solarmodulen mit PV-Eingangsverlängerungskabel;
4. Schließen Sie den Reihenstecker an den VERSATILE AC PORT des NEXA 2000 an;
5. Anschluss von Haushaltsgeräten an den Reihenstecker.

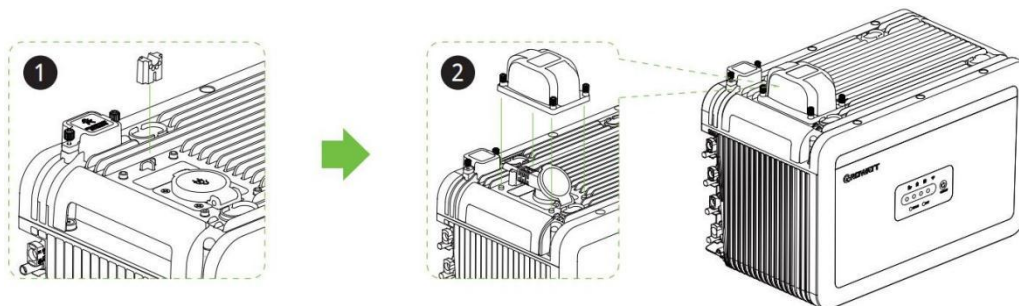


Andere Tipps

Stecker-Deckel-Installation

Schützen Sie den NEXA 2000 vor eindringendem Wasser am VERSATILE AC PORT:

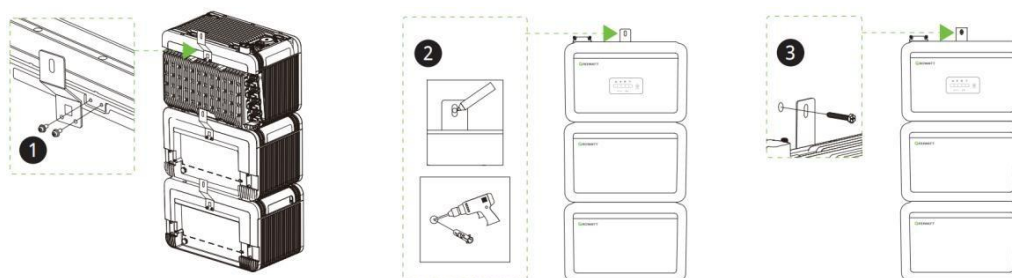
1. Installieren Sie den Block der Steckerabdeckung an dem VERSATILE AC PORT; .
2. Stecken Sie den Stecker des Geräts ein und befestigen Sie den Steckerdeckel (Drehmoment 1,5Nm).



Bodenstehende Installation

NEXA 2000 unterstützt die Batterierweiterung mit gestapelten EBMs (max. 3 EBMs werden empfohlen), eine feste Halterung kann verwendet werden, um die Stabilität zu erhöhen:

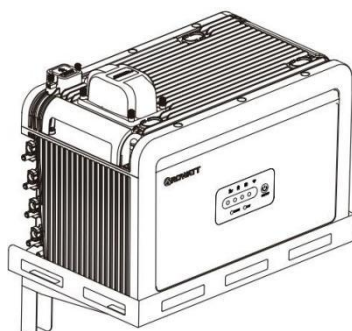
1. Befestigen Sie die Halterung am NEXA 2000/EBM (Anzugsmoment 1,5Nm);
2. Markieren Sie die Wand nach der Positionierung von NEXA 2000/EBM, bohren Sie Löcher ($\Phi 12 \times 50\text{mm}$) an den markierten Stellen und setzen Sie Spreizdübel ein;
3. NEXA 2000/EBM an der Wand befestigen (Anzugsmoment 6,0 Nm) .
4. Bei kaltem Untergrund verbessert eine Isolierung durch z.B. Styrodurplatte den Batteriebetrieb.



Wandhängende Installation

NEXA 2000 unterstützt die Wandaufhängung, um den Platzbedarf auf dem Balkon zu minimieren.

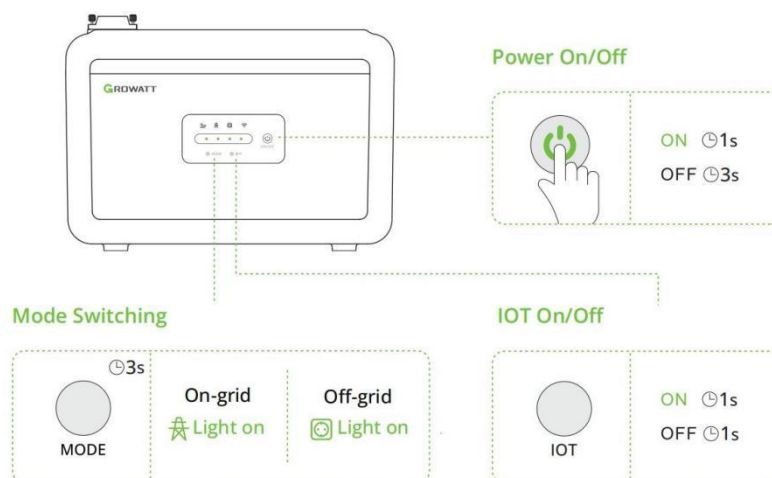
*Das Zubehör für die Wandaufhängung ist separat erhältlich.



Wie man beginnt

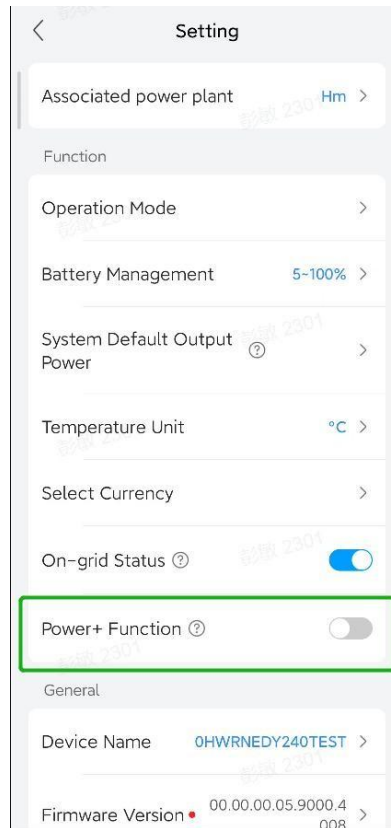
Ein-/ Ausschalten und Moduseinstellung

1. Zum Einschalten die Power- Taste 1 Sekunde lang drücken; zum Ausschalten die Power- Taste 3 Sekunden lang drücken.
2. Drücken Sie die IOT-Taste 1 Sekunde lang, die IOT-Anzeige blinkt, d.h., Sie wechseln in den Verbindungsmodus, und können das Netzwerk über die App konfigurieren.
3. Das Gerät befindet sich standardmäßig im Netzbetrieb (On-Grid-Modus). Durch das Drücken der MODE-Taste (3 Sek. lang) können Sie in den Off-Grid-Modus wechseln.



POWER PLUS Funktion

Sie können diese Funktion in der APP auswählen, um den maximalen Wert der netzgekoppelten (On-Grid) Ausgangsleistung einzustellen, bitte verwenden Sie sie mit Vorsicht.



ShinePhone APP verbinden

Verwenden Sie die ShinePhone-Anwendung, um Ihr NEXA 2000 Solarspeichersystem aus der Ferne zu überwachen und zu steuern.

Kraftwerk erstellen

1. Scannen Sie den QR-Code, um die 'ShinePhone' APP herunterzuladen. Sie können auch im APP Store oder bei Google Play nach "ShinePhone" suchen, um diese herunterzuladen.



2. Klicken Sie auf "Registrieren", um ein Konto zu erstellen.

Installateur-Code: GWAT

The first screenshot shows the 'Sign in / Register' screen. It features a 'Please select a country or region' dropdown, a 'Remember password' checkbox, and a 'Sign in' button. Below the form are social media icons for Facebook, Twitter, and LinkedIn, and a 'Register' button.

The second screenshot shows the 'Register' screen. It contains several input fields: 'Country or region', 'Username', 'Password', 'Repeat password', 'Phone number', 'Email address', 'Verification code', and 'Installer code'. A 'Register' button is at the bottom, along with a checkbox for 'I have read and agree' to the terms and conditions.

3. Erstellen Sie ein Kraftwerk: Legen Sie die Zeit und den Ort entsprechend der tatsächlichen Gegebenheiten fest und geben Sie die PV-Kapazität und die Netzstrompreisinformationen ein.

The first screenshot shows the 'Add Plant' screen. It includes fields for 'Plant name', 'Installation date', 'Plant address' (with 'Automatic' and 'Manual' options), 'City', 'Longitude', 'Latitude', 'Time zone', 'PV capacity (W)', 'Plant type' (Residential plant, Commercial plant, Smart inverter), 'Fund Revenue', and 'PV Plant picture'. An 'Add Plant' button is at the bottom.

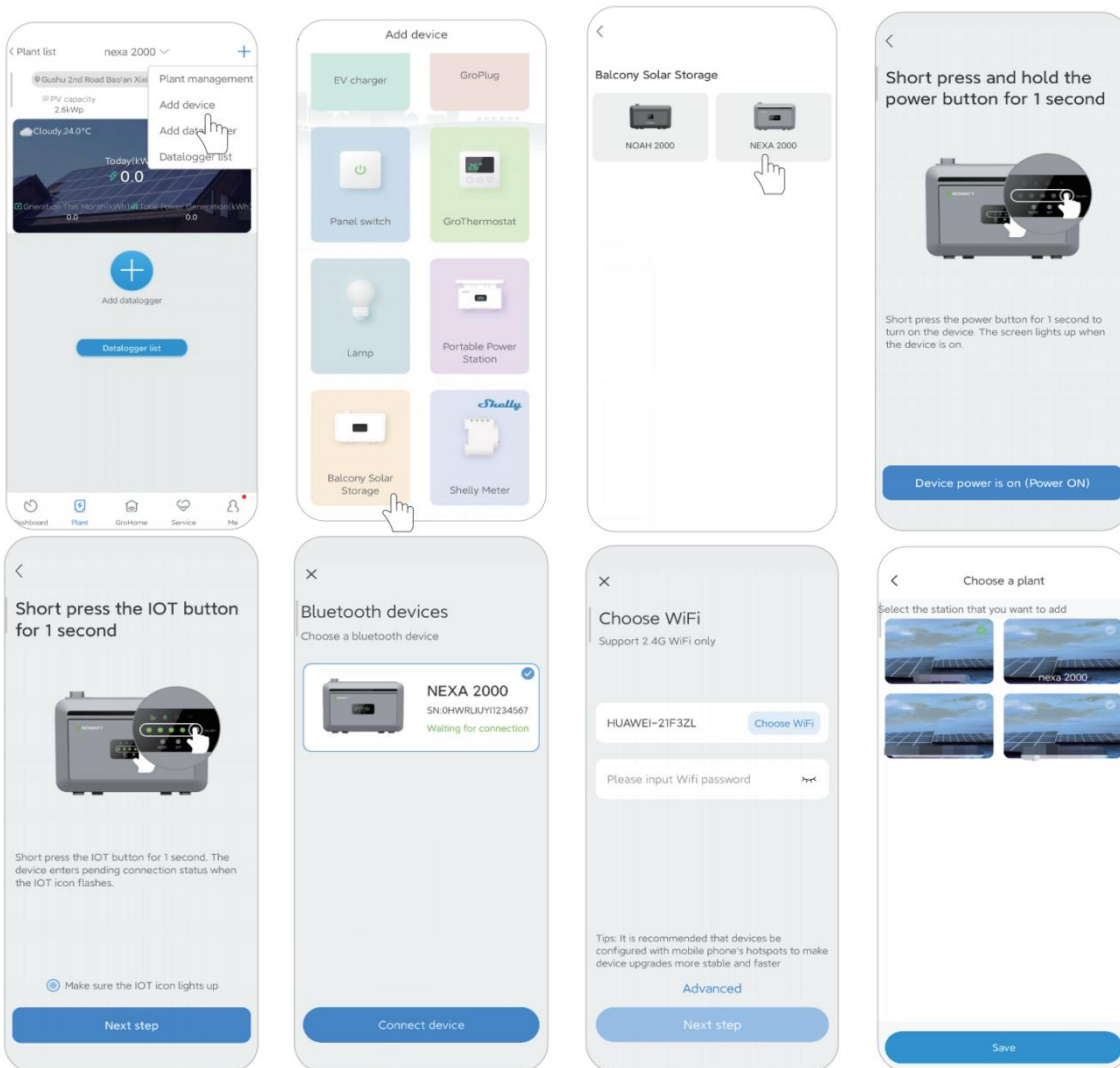
The second screenshot shows the 'Plant list' screen. It displays a list of plants with details like 'PV capacity' and 'Installation date'. A 'Sunny 23.0°C' indicator and 'Today (kWh)' meter are visible. A '+ Add datalogger' button and a 'Datalogger list' button are also present.

Netzwerk konfigurieren

4. NEXA 2000 mit dem Netzwerk verbinden

4.1 Suchen und öffnen Sie die Seite "Anlage" im unteren Menü. Klicken Sie auf die Schaltfläche "+" in der oberen rechten Ecke der Seite. Wählen Sie "Gerät hinzufügen", scrollen Sie nach unten und wählen Sie "Balkonsolaranlage".

4.2 Klicken Sie auf "NEXA 2000" und folgen Sie den Anweisungen der App, um die Netzwerk-Konfiguration abzuschließen.

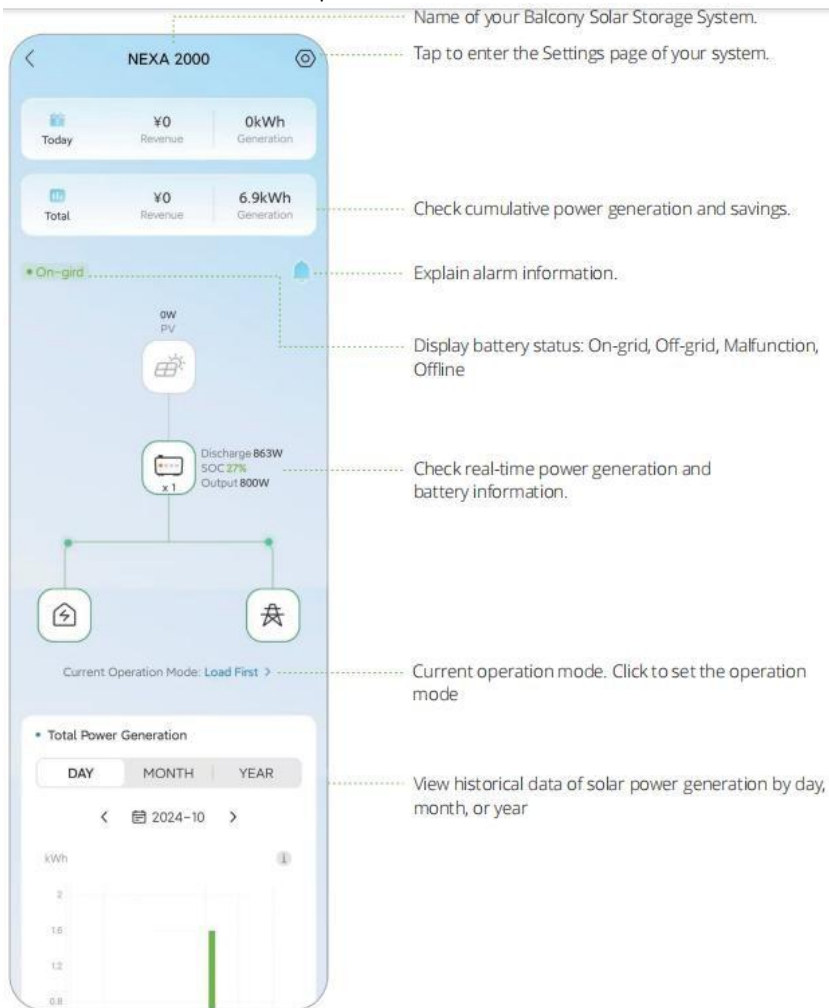


Anmerkung:

Kopplung mit einem neuen Mobilgerät (Handy): Wenn das Gerät bereits an ein mobiles Gerät gebunden ist, müssen Sie die IoT-Taste des Geräts 3 Sekunden lang drücken, um die Kopplung des Produkts mit dem aktuellen Gerät zu lösen. Anschließend können Sie es mit dem neuen mobilen Gerät verbinden.

Seiteneinführung

5. Seite Ihres NEXA 2000 Balkonspeichers



Betriebsmodus einstellen

6. Betriebsmodus einstellen

6.1 Klicken Sie auf "Zeit hinzufügen", fügen Sie eine Zeitspanne hinzu und wählen Sie einen Arbeitsmodus für diese Zeitspanne aus.

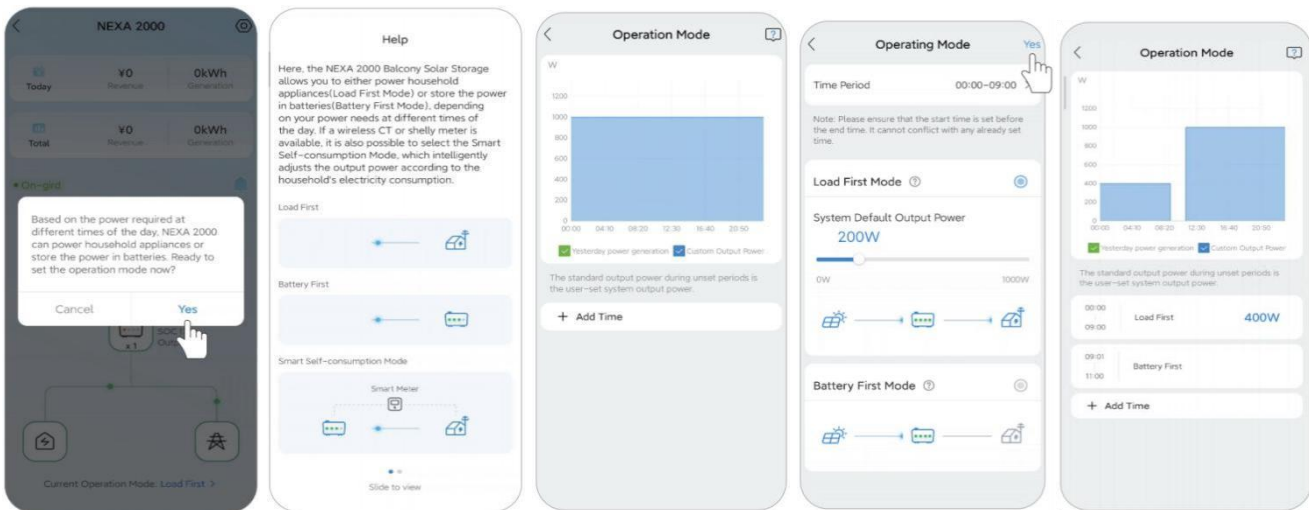
Load First Modus "Eigenverbrauch": Dies ist eine Einstellung, bei der die Nutzung der photovoltaischen Energie für die Stromversorgung der Last Vorrang hat. Wenn die erzeugte Energie größer ist als die eingestellte Systemausgangsleistung, wird die überschüssige Energie in der Batterie gespeichert. Wenn umgekehrt die erzeugte Energie geringer ist als die von Ihnen eingestellte Systemausgangsleistung, dann wird zusätzlich die Batterie entladen um auf den gewünschten Wert zu kommen.

Battery First Modus "Batterie zuerst": Dabei handelt es sich um eine Einstellung, bei der vorrangig die photovoltaische Energie zum Aufladen der Batterie verwendet wird. Es wird geladen bis, die eingestellte, obere Ladegrenze erreicht ist. Während dem Ladevorgang und nach Erreichen der Ladegrenze wird die Batterie nicht entladen. Wenn die Batterie vollständig geladen ist und noch Photovoltaik-Energie vorhanden ist, wird diese ausgegeben.

Smart Eigenverbrauchsmodus: Diese Funktion ist nur verfügbar, wenn das System an einen intelligenten Zähler angeschlossen ist. Der intelligente Zähler überwacht den Stromverbrauch des Hauses (Strombezug aus dem Netz oder Einspeisung in das Netz) und passt die Leistungsabgabe des Systems intelligent an.

Hinweis: Die Standardeinstellung ist der Eigenverbrauchsmodus und die Standardausgangsleistung des Systems ist auf 200 W eingestellt. Sie können diesen Wert in der APP wie gewünscht verändern.

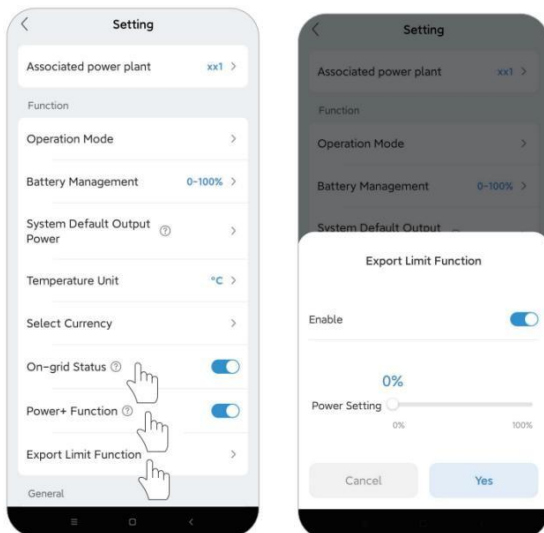
6.2 Klicken Sie auf das "?"-Symbol in der oberen rechten Ecke, um eine detaillierte Bedienungsanleitung anzuzeigen.



Andere wichtige Einstellungen

Zugehöriger Wechselrichter

7. On-Grid-Status : Für den normalen Netzbetrieb lassen Sie diese Funktion aktiviert. Deaktivieren Sie diese Option, um in den Off-Grid-Modus zu wechseln.
8. Power+ Funktion: Aktivieren Sie diese Funktion, um den Maximalwert der netzgekoppelten Leistung (On-Grid) einzustellen; verwenden Sie sie mit Vorsicht.
9. Exportbegrenzungsfunktion: Kann nur in Verbindung mit einem Smart Meter verwendet werden. Aktivieren Sie diese Funktion, um die Einspeiseleistung des NEXA 2000 zu begrenzen, wobei 0% bedeutet, dass keine Einspeisung ins Netz erfolgt, und 10% bedeutet, dass maximal 10% der Nennleistung des NEXA2000 ins Netz eingespeist werden.



Kaltstart

Wenn die Temperatur der Batterie zwischen -30°C und -20°C liegt, kann die Batterie durch den Anschluss von Solarmodulen mit Photovoltaik-Einspeisung automatisch auf die Betriebstemperatur aufgeheizt werden, so dass der NEXA 2000 normal funktionieren kann und somit auch in Umgebungen mit niedrigen Temperaturen eingesetzt werden kann.

Temperatur der Batterie	Verbleibende Heizzeit/min
-30°C	83
-25°C	75
-20°C (minimal zulässige Entladetemperatur)	65
-15°C	54
-10°C	42
-5°C	29
0°C (minimal zulässige Ladetemperatur)	15
5°C	0

*Anmerkung:

1. Diese geschätzte verbleibende Heizzeit wird auf der Grundlage der maximalen Heizleistung (Photovoltaik-Eingangsleistung) berechnet und dient nur als Referenz, abhängig von der tatsächlichen Heizung. Die Heizfunktion wird beendet, wenn die Batterietemperatur 5°C erreicht.
2. Verbleibende Heizzeit: Die Zeit, die benötigt wird, um von der aktuellen Temperatur auf 5°C zu heizen. Wenn die aktuelle Temperatur z. B. -20 °C beträgt, dauert es 65 Minuten, um auf 5 °C aufzuheizen.
3. Liegt die Temperatur des NEXA 2000 unter 0 °C und ist die Photovoltaik-Eingangsleistung, wird die Photovoltaik-Energie vorrangig für die Batterieheizung genutzt.

FAQ

F1: Unterstützt NEXA 2000 das gleichzeitige Laden und Entladen?

Ja, die Eingangs-/Ausgangsanschlüsse von NEXA 2000 sind unterschiedlich und ermöglichen das gleichzeitige Laden und Entladen.

F2: ist es möglich, den NEXA 2000 mit Solarmodulen anderer Marken aufzuladen?

Ja, solange Sie die die Photovoltaik-Ladespezifikationen für dieses Produkt erfüllen ist das kein Problem.

F3: Wie lagere ich mein NEXA 2000?

Wenn eine langfristige Lagerung erforderlich ist, laden Sie die Batterie bitte vollständig auf, trennen Sie die Photovoltaikverbindungen und schalten Sie die Maschine dann aus. Laden und entladen Sie die Batterie alle 3 Monate: entladen Sie es zuerst auf 20 % und laden Sie es dann auf 80 %.

F4: Kann eine Batterie an vier Solarmodule angeschlossen werden?

Ja, es bestehen 4MPPT.

F5: Wie wasserdicht ist dieses Gerät?

NEXA 2000 verfügt über die Schutzart IP66 und ist daher für den Einsatz im Freien unter schwierigen Bedingungen geeignet, sei es in staubigen Umgebungen oder bei unerwarteten Regenschauern.

F6: Wie kann man die Stromerzeugung des NEXA 2000 überwachen?

Mit der ShinePhone-App können Sie die Daten der Solarstromerzeugung überwachen und die Ausgangsleistung des Systems in Echtzeit regulieren.

F7: Wie funktioniert der NEXA 2000 ?

NEXA 2000 unterstützt drei Betriebsmodi: Load First Modus "Last zuerst", Battery First Modus "Batterie zuerst" und den intelligenten Selbstverbrauchsmodus. Die Benutzer können je nach Bedarf verschiedene Betriebsmodi für unterschiedliche Zeiträume einstellen.

Das System arbeitet standardmäßig im Load First Modus "Last zuerst", bei dem die Nutzung der photovoltaischen Energie zur Versorgung der Last Vorrang hat. Wenn die photovoltaisch erzeugte Energie größer ist als die Ausgangsleistung des Systems, wird die überschüssige Energie in der Batterie gespeichert. Ist die erzeugte Energie geringer als die eingestellte Systemausgangsleistung, wird die Batterie automatisch entladen, um die Last zusammen mit der Photovoltaik-Energie zu versorgen. Die Standardausgangsleistung des Systems ist auf 200 W eingestellt. Die Ausgangsleistung kann in der App entsprechend verändert werden.

Der Modus Battery First "Batterie zuerst" ist eine Einstellung, bei der vorrangig Photovoltaikstrom zum Laden der Batterie verwendet wird, bis diese ihren oberen SOC-Grenzwert erreicht hat, woraufhin sich die Batterie nicht mehr entlädt. Wenn die Batterie vollständig aufgeladen ist und noch Photovoltaik-Energie vorhanden ist, wird diese entsprechend ausgegeben.

Intelligenter Selbstverbrauchsmodus: Diese Funktion ist nur verfügbar, wenn das System mit einem Smart Meter verbunden ist. Der drahtlose Stromwandler oder Zähler überwacht den Stromverbrauch des Hauses (Entnahme von Strom aus dem Netz oder Einspeisung in das Netz) und passt die Leistungsabgabe des Systems entsprechend an.

F8: Welche Vorsichtsmaßnahmen sollte ich treffen, bevor ich eine Zusatzbatterie einbaue/einsetze?

Wenn Sie eine Zusatzbatterie einbauen/einsetzen, muss das System ausgeschaltet werden, um Sie und das Gerät zu schützen. Die Durchführung dieses Vorgangs im eingeschalteten Zustand ist nicht durch die Garantie abgedeckt. Bitte befolgen Sie diese Schritte für eine ordnungsgemäße Installation.

- a. Trennen Sie den NEXA 2000 von den Solarmodulen.
- b. Halten Sie die Ein/Aus-Taste 1 Sekunde lang gedrückt, um das Gerät auszuschalten.
- c. Nachdem Sie den NEXA 2000 ausgeschaltet haben, installieren Sie den Erweiterungsakku.
- d. Schließen Sie die Solarmodule für den normalen Gebrauch an.

F9: Welche weiteren Vorsichtsmaßnahmen sollte ich bei der Installation und Verwendung dieses Produkts beachten?

Bitte stellen Sie sicher, dass die Steckdose gut geerdet ist.

F10: Wie schaltet man in den Off-Grid "netzunabhängigen Modus"?

Drücken Sie lange auf die Modus-Umschalttaste des Geräts oder auf der APP-Einstellungsseite, um in den netzunabhängigen Modus zu wechseln.

Fehler und Warnhinweise

APP Angezeigter Fehlercode	APP Angezeigter Fehlerinhalt	Lösung
F01	PV1 Überspannungsschutz	Prüfen Sie, ob der Eingang den Spezifikationen für das Aufladen mit Solarenergie entspricht. Entfernen Sie den Solareingang oder starten Sie das Produkt neu, um den normalen Betrieb wieder aufzunehmen.
F02	PV1 Überstromschutz	Prüfen Sie, ob der Eingang den Spezifikationen für die Solarladung entspricht. Entfernen Sie den Solareingang oder starten Sie das Produkt neu, um den normalen Betrieb wieder aufzunehmen.
F03	PV1 Übertemperatur Schutz	Schalten Sie das Gerät aus und legen Sie es für 2-3 Stunden an einen offenen Ort. Nach dem Abkühlen sollte es wieder normal funktionieren.
F04	PV2 Überspannungsschutz	Prüfen Sie, ob der Eingang den Spezifikationen für die Solarladung entspricht. Entfernen Sie den Solareingang, um den normalen Betrieb wieder aufzunehmen.
F05	PV2 Überstromschutz	Überprüfen Sie, ob der Eingang den Spezifikationen für die Solarladung entspricht. Entfernen Sie den Solareingang oder starten Sie das Produkt neu, um den normalen Betrieb wieder aufzunehmen.
F06	PV2 Übertemperatur Schutz	Schalten Sie das Gerät aus und legen Sie es für 2-3 Stunden an einen offenen Ort. Nach dem Abkühlen sollte es wieder normal funktionieren.
F07	DC-Unterspannungsschutz	Starten Sie das Produkt neu. Wenn das Problem nach mehreren Versuchen weiterhin besteht, wenden Sie sich bitte an den Growatt-Kundendienst.

F08	DC-Überspannungsschutz	Starten Sie das Produkt neu. Wenn das Problem nach mehreren Versuchen weiterhin besteht, wenden Sie sich bitte an den Growatt-Kundendienst.
F09	Überhitzung des Produkts	Schalten Sie das Gerät aus und legen Sie es für 2-3 Stunden an einen offenen Ort. Nach dem Abkühlen sollte es wieder normal funktionieren.
F10	DC-Ausgang Überlastungsschutz	Der normale Betrieb wird automatisch wieder aufgenommen, nachdem Sie das überlastete Gerät entfernt haben. Langfristige Überlastung kann zu Schäden am Gerät führen.
F11	Schutz bei niedriger Batteriespannung	Bitte stellen Sie sicher, dass die Batterie rechtzeitig aufgeladen wird. Falls das Problem nach 2-3 Stunden weiterhin besteht, kontaktieren Sie den Growatt-Kundendienst.
F12	Schutz bei zu hoher Batteriespannung	Schalten Sie den PV-Eingang aus und starten Sie das Produkt neu. Falls das Problem nach mehreren Versuchen weiterhin besteht, kontaktieren Sie den Growatt-Kundendienst.
F13	Schutz vor niedriger Temperatur beim Laden der Batterie	Bitte stellen Sie das Produkt an einen wärmeren Ort oder schließen Sie es vor der Nutzung an die PV-Stromversorgung an. (Nicht in der App angezeigt)
F14	Schutz vor zu hoher Temperatur beim Laden der Batterie	Schalten Sie das Gerät aus und stellen Sie es für 2-3 Stunden an einen offenen, kühlen Ort. Nach dem Abkühlen wird das Gerät wieder normal funktionieren.
F15	Schutz vor niedriger Temperatur beim Entladen der Batterie	Bitte stellen Sie das Produkt an einen wärmeren Ort oder schließen Sie es vor der Nutzung an die PV-Stromversorgung an. (Nicht in der App angezeigt)
F16	Schutz vor zu hoher Temperatur beim Entladen der Batterie	Schalten Sie das Produkt aus und stellen Sie es für 2-3 Stunden an einen offenen, kühlen Ort. Nach dem Abkühlen wird das Produkt wieder normal funktionieren..
F17	Schutz vor Überstrom beim Laden der Batterie	Starten Sie das Produkt neu. Falls das Problem nach mehreren Versuchen weiterhin besteht, kontaktieren Sie den Growatt-Kundendienst.
F18	Schutz vor Überstrom beim Entladen der Batterie	Starten Sie das Produkt neu. Falls das Problem nach mehreren Versuchen weiterhin besteht, kontaktieren Sie den Growatt-Kundendienst.
F19	Batteriefehler	Starten Sie das Produkt neu. Falls das Problem nach mehreren Versuchen weiterhin besteht, kontaktieren Sie den Growatt-Kundendienst.
F20	Ungewöhnliche Batterietemperaturmessung	Starten Sie das Produkt neu. Falls das Problem nach mehreren Versuchen weiterhin besteht, kontaktieren Sie den Growatt-Kundendienst.
F21	Ungewöhnliche Batteriespannungsmessung	Starten Sie das Produkt neu. Falls das Problem nach mehreren Versuchen weiterhin besteht, kontaktieren Sie den Growatt-Kundendienst.
F22	BMS-Kommunikationsfehler	Starten Sie das Produkt neu. Falls das Problem nach mehreren Versuchen weiterhin besteht, kontaktieren Sie den Growatt-Kundendienst
F23	Kommunikationsfehler mit MPPT	Starten Sie das Produkt neu. Falls das Problem nach mehreren Versuchen weiterhin besteht, kontaktieren Sie den Growatt-Kundendienst.
F24	Kommunikationsfehler mit dem Wechselrichter	Starten Sie das Produkt neu. Falls das Problem nach mehreren Versuchen weiterhin besteht, kontaktieren Sie den Growatt-Kundendienst.
F26	Schutz vor Überspannung bei PV3	Bitte überprüfen Sie, ob die Eingabe den Spezifikationen der Solarladung entspricht. Entfernen Sie den Solareingang oder starten Sie das Produkt neu, um den normalen Betrieb wieder aufzunehmen
F27	Schutz vor Überstrom bei PV3	Bitte überprüfen Sie, ob die Eingabe den Spezifikationen der Solarladung entspricht. Entfernen Sie den Solareingang oder starten Sie das Produkt neu, um den normalen Betrieb wieder aufzunehmen
F28	Schutz vor Überhitzung bei PV3	Schalten Sie das Produkt aus und stellen Sie es für 2-3 Stunden an einen offenen, kühlen Ort. Nach dem Abkühlen wird das Produkt wieder normal funktionieren.

F29	Schutz vor Überspannung bei PV4	Bitte überprüfen Sie, ob die Eingabe den Spezifikationen der Solarladung entspricht. Entfernen Sie den Solareingang oder starten Sie das Produkt neu, um den normalen Betrieb wieder aufzunehmen
F30	Schutz vor Überstrom bei PV4	Prüfen Sie, ob der Eingang den Spezifikationen für das Aufladen mit Solarenergie entspricht. Entfernen Sie den Solareingang oder starten Sie das Produkt neu, um den normalen Betrieb wieder aufzunehmen.
F31	Schutz vor Überhitzung bei PV4	Schalten Sie das Produkt aus und stellen Sie es für 2-3 Stunden an einen offenen, kühlen Ort. Nach dem Abkühlen wird das Produkt wieder normal funktionieren
F40	Ausfall der Netzspannung	Starten Sie das Produkt neu. Wenn das Problem nach mehreren Versuchen weiterhin besteht, wenden Sie sich bitte an den Growatt-Kundendienst.
F41	ISO-Ausfall	Starten Sie das Produkt neu. Wenn das Problem nach mehreren Versuchen weiterhin besteht, wenden Sie sich bitte an den Growatt-Kundendienst.
F42	Netztrennung Versagen	Starten Sie das Produkt neu. Wenn das Problem nach mehreren Versuchen weiterhin besteht, wenden Sie sich bitte an den Growatt-Kundendienst.
F43	Störung der Netzfrequenz	Starten Sie das Produkt neu. Wenn das Problem nach mehreren Versuchen weiterhin besteht, wenden Sie sich bitte an den Growatt-Kundendienst.
F44	Fehler in der Relais-Erkennung	Prüfen Sie, ob der Eingang den Spezifikationen für die Solarladung entspricht. Entfernen Sie den Solareingang oder starten Sie das Produkt neu, um den normalen Betrieb wieder aufzunehmen.
F45	Wechselrichter Temperatur-Ausfall	Prüfen Sie, ob der Eingang den Spezifikationen für die Solarladung entspricht. Entfernen Sie den Solareingang oder starten Sie das Produkt neu, um den normalen Betrieb wieder aufzunehmen.
F46	BUS-Spannungsausfall	Schalten Sie das Gerät aus und legen Sie es für 2-3 Stunden an einen offenen Ort. Nach dem Abkühlen funktioniert das Produkt normal weiter.
F47	Hardware-OCP-Ausfall	Prüfen Sie, ob der Eingang den Spezifikationen für die Solarladung entspricht. Entfernen Sie den Solareingang oder starten Sie das Produkt neu, um den normalen Betrieb wieder aufzunehmen.
F48	EEPROM-Ausfall	Prüfen Sie, ob der Eingang den Spezifikationen für die Solarladung entspricht. Entfernen Sie den Solareingang oder starten Sie das Produkt neu, um den normalen Betrieb wieder aufzunehmen.