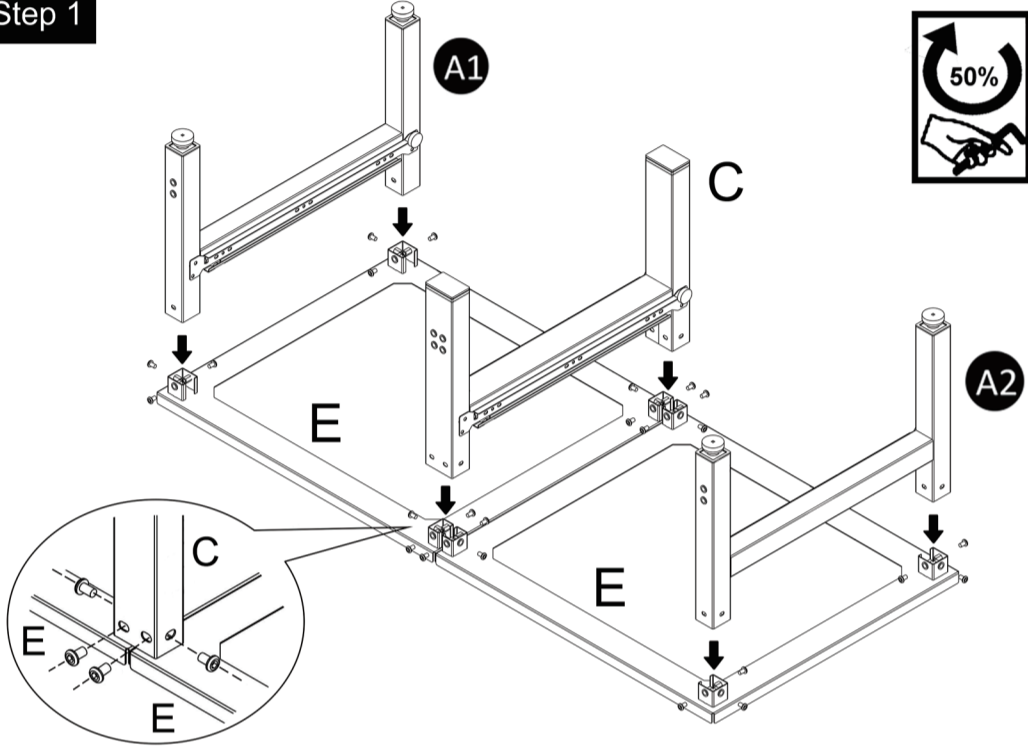
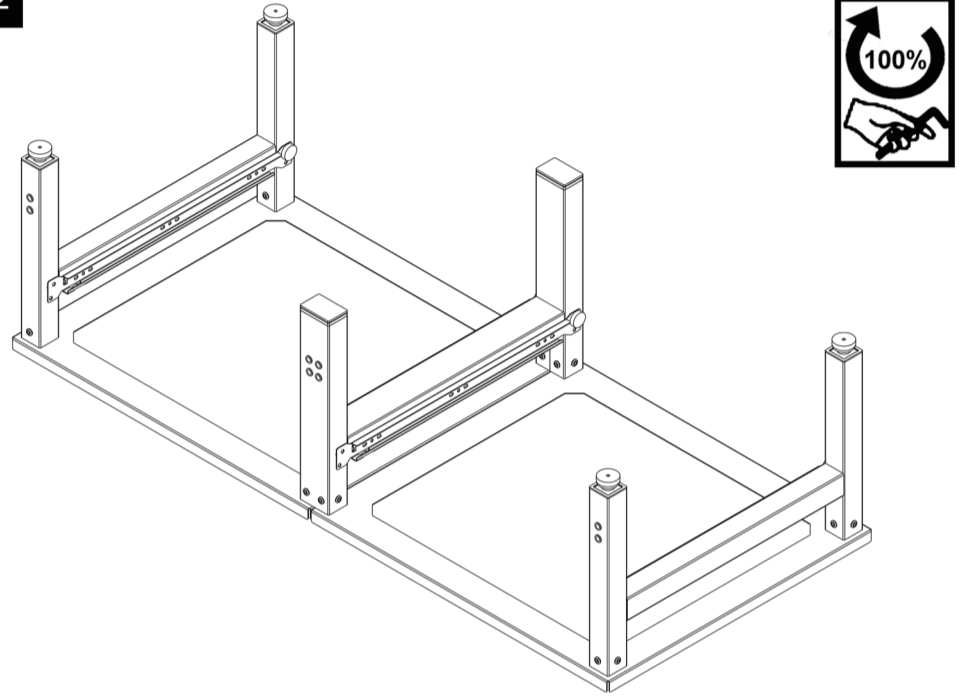


Code	Parts	Quantity	Code	Parts	Quantity
A		2	E		2
B		4	F		2
C		1	J		1
			H		40
			I		8

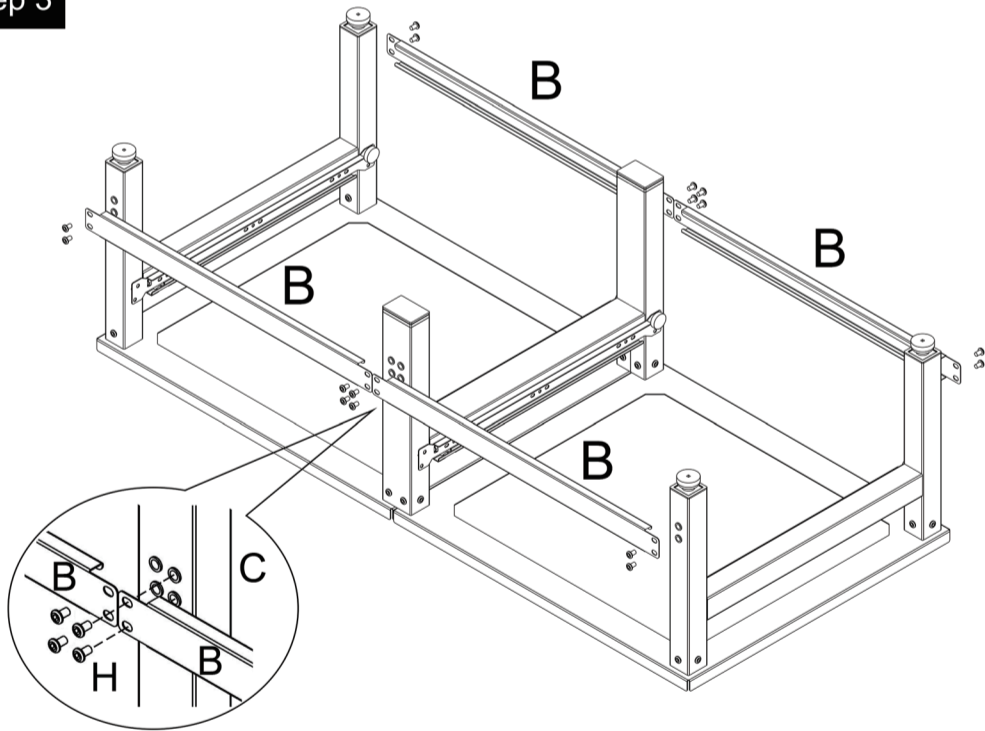
Step 1



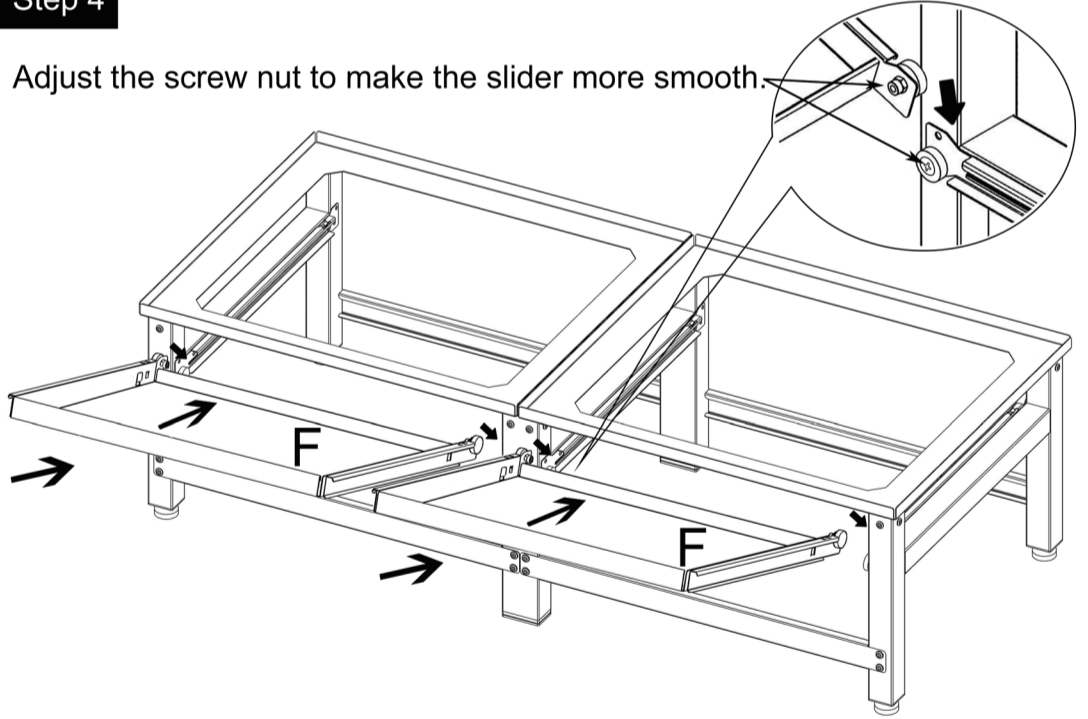
Step 2



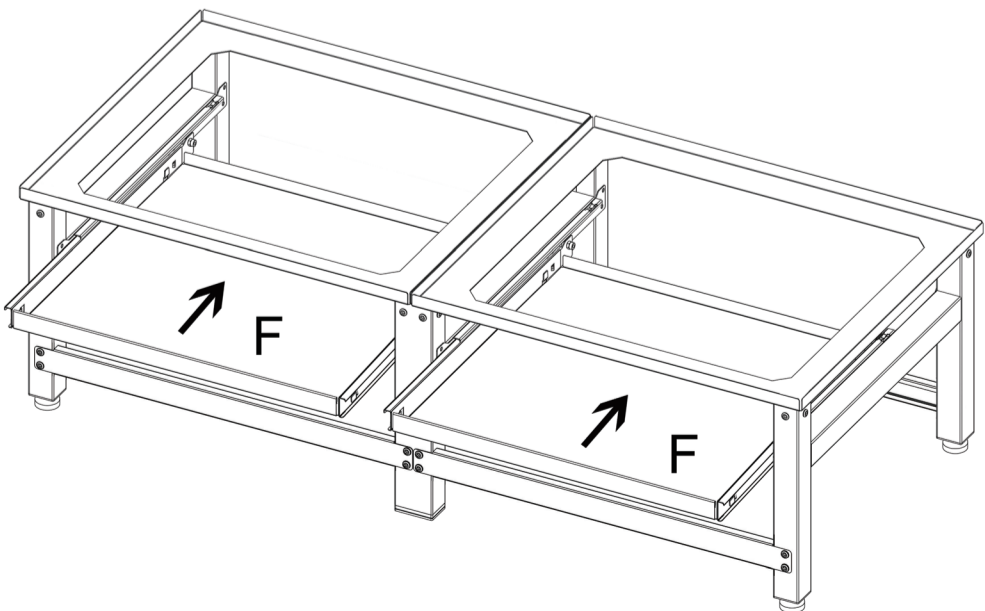
Step 3



Step 4



Step 5



Step 6

